

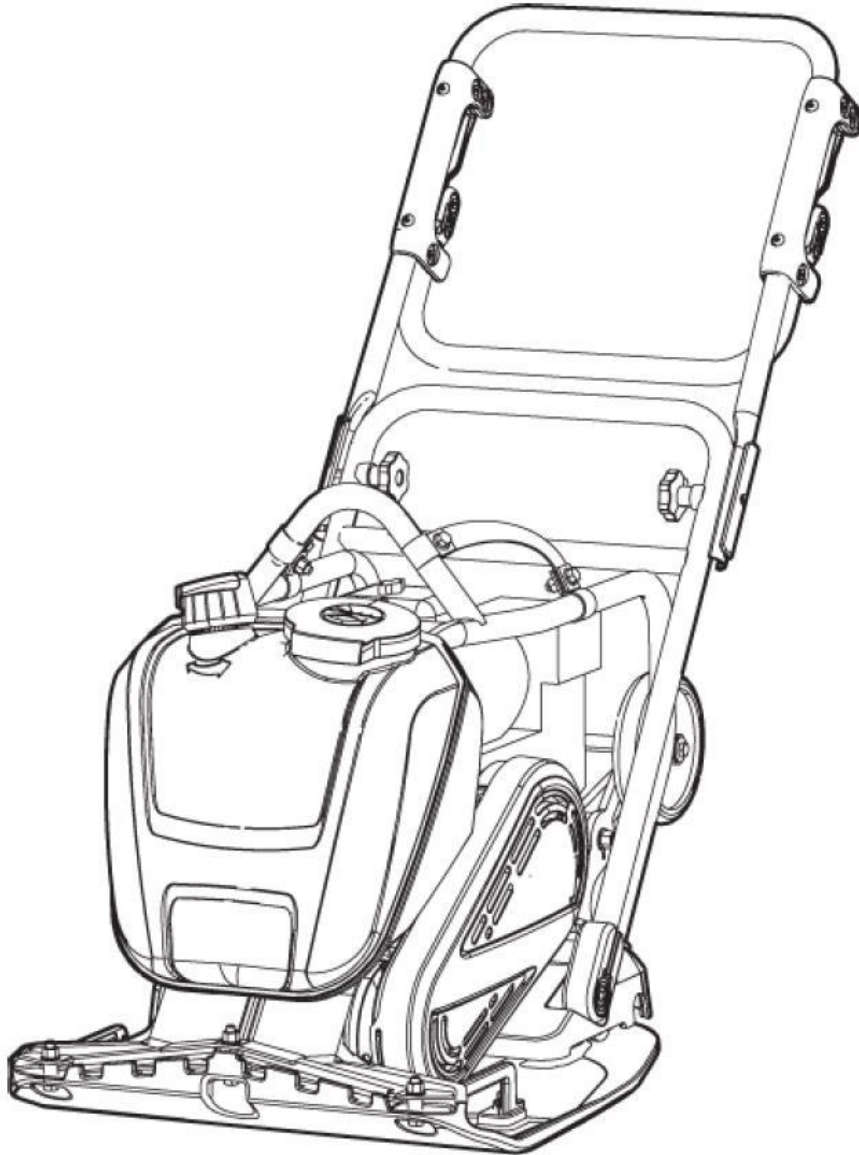
LF 80

Spare parts list

Forward plate

LF 80

Engine: Honda GX 160



General information

This spare parts list applies to the following:

| Part number | Description |
|-------------|----------------------------|
| 967855001 | COMPACTORS LF 80 L Honda |
| 967855002 | COMPACTORS LF 80 LAT Honda |

Use only authorized parts. Any damage or malfunction caused by the use of unauthorized parts is not covered by Warranty or Product Liability. Any unauthorized use or copying of the contents or any part thereof is prohibited. This applies in particular to trademarks, model denominations, part numbers, and drawings.

Instructions for use

This spare parts list contains no safety regulations and is merely intended to assist in the ordering of spare parts.

For information about operating, servicing, or repairing, the relevant Safety and operating instructions must be consulted at all costs.

Please observe the safety instructions listed in the relevant Safety and operating instructions!

| | |
|--|----|
| Kits and consumables | 1 |
| Preventative Maintenance Kits | |
| Start Up Kit, Honda | 3 |
| 12 months / 200 hours service kit | 5 |
| Service, repair and wear part kits | |
| Shock absorber repair kit | 7 |
| Eccentric element repair kit | 9 |
| Block paving plate kit 420 mm (16.5 in.) | 11 |
| Transport device kit | 13 |
| Sprinkler system kit | 15 |
| Fork lifting device kit | 17 |
| Vibration damped handle kit | 19 |
| Refurbishment kits | |
| 595388001 GoldKit LF 80 | 21 |
| 594219101 SilverKit LF 80 | 23 |
| 595386301 CosmeticKit LF 80 | 25 |
| 595388101 GoldKit LF 80 LAT | 27 |
| 594219101 SilverKit_LF_80_LAT | 29 |
| 594215801 CosmeticKit LF 80 LAT | 31 |
| Spare parts list | |
| Engine plate installation, Honda | 33 |
| Ground plate installation | 35 |
| Block paving plate 420 mm (16.5 in.) | 37 |
| Lifting handle | 39 |
| Transport device, old version | 41 |
| Transport device, new version | 43 |
| Sprinkler system | 45 |
| Fork lifting device | 47 |
| Engine installation, Honda | 49 |
| Engine, Honda GX 160 UT2 SXS4 OH | 51 |
| Transmission cover, Honda | 54 |
| Standard handle, old version | 57 |
| Standard handle for Honda, new version | 59 |
| Vibration damped handle | 61 |
| Labels | 63 |

Kits and consumables

| Service offers resume LF80 | Item | Number | Description |
|-----------------------------------|-------------|---------------|--|
| Lubricants | 1 | | Can Paroil E Mission Green 5 Liter/1.32 Gallon |
| | 2 | | Can Paroil E Mission Green 20 Liter/5.3 Gallon |
| | 3 | | Can Paroil E Mission Green 210 Liter/55.5 Gallon |
| Preventive maintenance | 4 | 594194101 | One year service kit |
| Upgrade kits | 5 | 594205001 | Vibration damped handle kit |
| | 6 | 594761101 | Complete handle kit std. |
| | 7 | 594204901 | Transport device kit |
| Wear & Repair Kits | 8 | 594194401 | Eccentric element repair kit |
| | 9 | 594194601 | Shock absorber repair kit |

| Item | Part No. | Name | Qty | L |
|------|-----------|---|-----|---|
| 1 | - | Drum Paroil Mission green 210 Liter/55.5 Gallon | 1 | |
| 2 | - | Can Paroil Mission green 20 Liter/5.3 Gallon | 1 | |
| 3 | - | Drum Paroil Mission green 210 Liter/55.5 Gallon | 1 | |
| 4 | 594194101 | One year service kit | 1 | |
| 5 | 594205001 | Vibration damped handle kit | 1 | |
| 6 | 594761101 | Can Paroil E Mission Green 5 Liter/1.32 Gallon | 1 | |
| 7 | 594204901 | Transport device kit | 1 | |
| 8 | 594194401 | Eccentric element repair kit | 1 | |
| 9 | 594194601 | Shock absorber repair kit | 1 | |

Preventative Maintenance Kits Start Up Kit, Honda

NO EXPLODED VIEW
AVAILABLE
FOR THIS BOM

| Item | Part No. | Name | Qty | L |
|------|-----------|-----------------------------------|-----|---|
| 1 | 595385301 | Start Up Kit | | |
| 2 | 594216201 | 12 months / 200 hours service kit | 1 | |
| 3 | 594302101 | Air Filter, complete | 1 | |
| 4 | 594488801 | V-belt | 1 | |
| 5 | 594302101 | Air Filter, complete | 1 | |

Preventative Maintenance Kits 12 months / 200 hours service kit

NO EXPLODED VIEW
AVAILABLE
FOR THIS BOM

| Item | Part No. | Name | Qty | L |
|------|-----------|-----------------------------------|-----|---|
| 1 | 594216201 | 12 months / 200 hours service kit | 1 | |
| 2 | 594302101 | Air Filter, complete | 1 | |
| 3 | 594488801 | V-belt | 1 | |

Service, repair and wear part kits Shock absorber repair kit

NO EXPLODED VIEW
AVAILABLE
FOR THIS BOM

| Item | Part No. | Name | Qty | L |
|------|-----------|--|-----|---|
| 1 | 594194601 | Shock absorber repair kit | 1 | |
| 2 | 594341901 | Shock absorber | 4 | A |
| 3 | 594526401 | Square taper washer | 4 | B |
| 4 | 595184801 | Hexagon nut with flange | 8 | |
| 5 | 594480401 | Shock absorber | 2 | C |
| 6 | 595058101 | Screw, M12 x 50 mm 8.8 A3K , See section "Handle, standard". | 2 | |

Comments for Page: Shock absorber repair kit

(L)OCAL REMARKS

A | For ground plate

See section "Ground plate installation".

B | See section "Ground plate installation".

C | For handle

See section "Handle, standard".

Service, repair and wear part kits Eccentric element repair kit

NO EXPLODED VIEW
AVAILABLE
FOR THIS BOM

| Item | Part No. | Name | Qty | L |
|------|-----------|------------------------------|-----|---|
| 1 | 594194401 | Eccentric element repair kit | 1 | |
| 2 | 595185701 | Screw, M8x25mm 8.8 A2K | 1 | |
| 3 | 595187201 | Washer, 8.4x22x3 mm 300HV | 1 | |
| 4 | 595048001 | Lip-type oil seal | 1 | A |
| 5 | 594523301 | Screw, M6x16 mm 8.8 A2K | 6 | |
| 6 | 594526101 | Ball bearing | 2 | B |

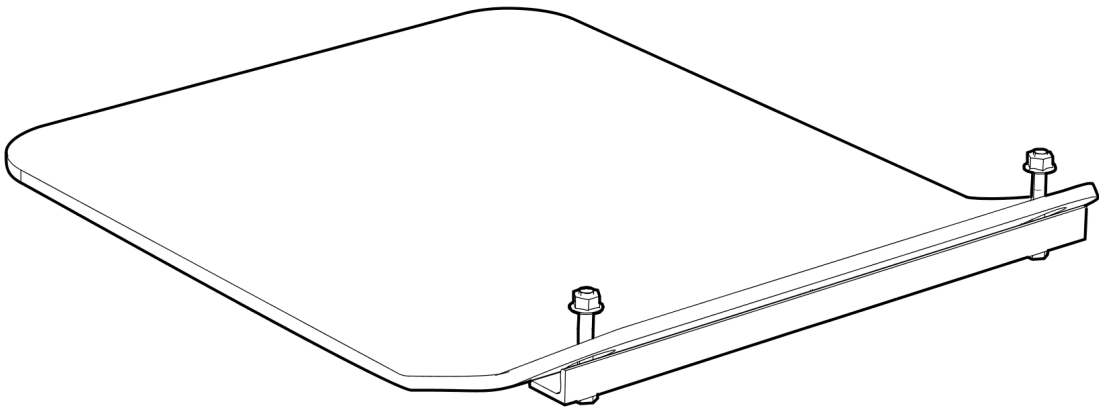
Comments for Page: Eccentric element repair kit

(L)OCAL REMARKS

A | See section "Ground plate installation".

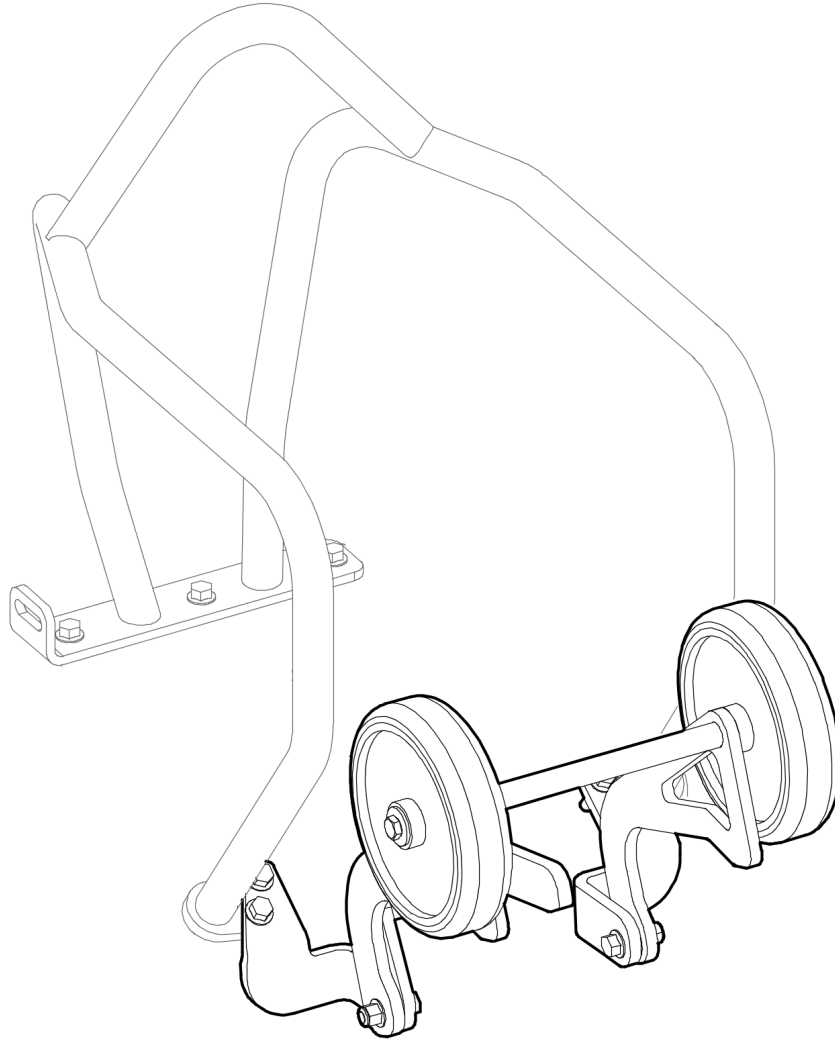
B | See section "Ground plate installation".

Service, repair and wear part kits Block paving plate kit 420 mm (16.5 in.)



| Item | Part No. | Name | Qty | L |
|------|-----------|--------------------------------------|-----|---|
| 1 | 594868101 | Block paving plate kit | 1 | |
| 1 | 594484601 | Polyurethane plate, 420 mm, 16.5 in. | 1 | |
| 2 | 594484701 | Bracket | 1 | |
| 3 | 595065501 | Nut, M8 x 1.25 mm A2K | 2 | |
| 4 | 595066601 | Washer, 8.4x 6x1.5 mm 300HV | 2 | |
| 5 | 594522501 | Screw, M8 x 75 mm 8.8 A2K | 2 | |

Service, repair and wear part kits Transport device kit



| Item | Part No. | Name | Qty | L |
|------|-----------|---------------------------|-----|---|
| 1 | 594204901 | Transport device kit | 1 | |
| 2 | 594648701 | Bracket | 1 | A |
| 3 | 594648901 | Bracket | 1 | B |
| 4 | 595061001 | Washer, 8,4x25x2 mm | 4 | |
| 5 | 594648801 | Fork | 1 | |
| 6 | 595466601 | Screw, M8x30 mm 8.8 A2K | 2 | |
| 7 | 595064601 | Lock nut, M8x1.25 mm A2K | 2 | |
| 8 | 594455501 | Wheel | 2 | |
| 9 | 595053901 | Hex. screw | 2 | |
| 10 | 594462701 | Shock absorber | 1 | |
| 11 | 594651001 | Hook | 1 | |
| 12 | 595064701 | Nut, M10 | 1 | |
| 13 | 595066701 | plain washer | 1 | |
| 14 | 595055201 | Screw, M10x20 mm 8.8 A3K | 1 | |
| 15 | 595185701 | Screw, M8x25mm 8.8 A2K | 4 | |
| 16 | - | Screw, M8 x 35 mm 8.8 A2K | 4 | |

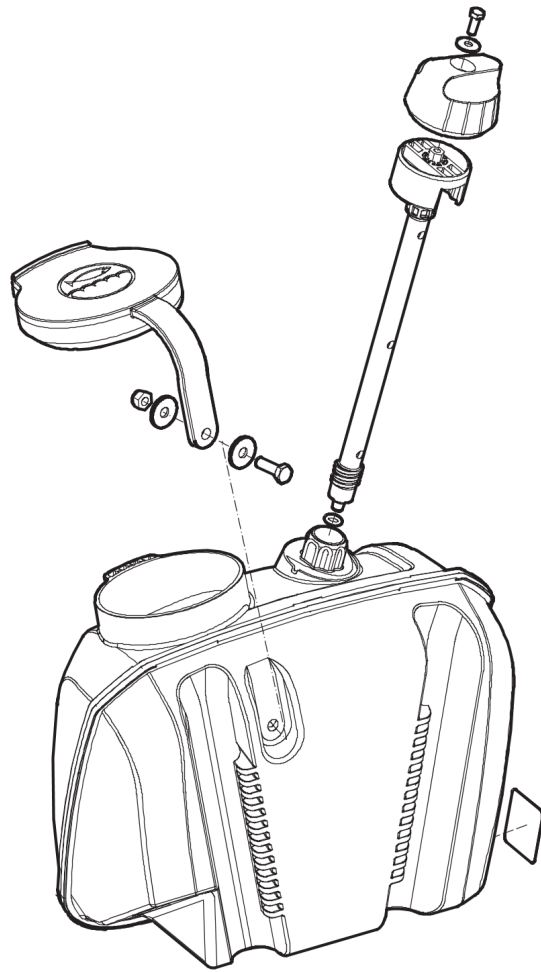
Comments for Page: Transport device kit

(L)OCAL REMARKS

A | Left

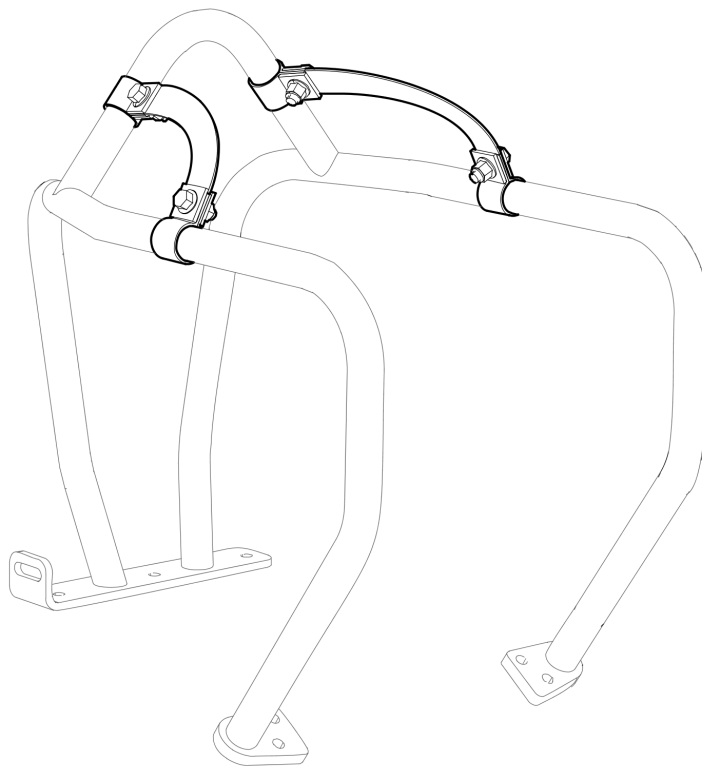
B | Right

Service, repair and wear part kits Sprinkler system kit



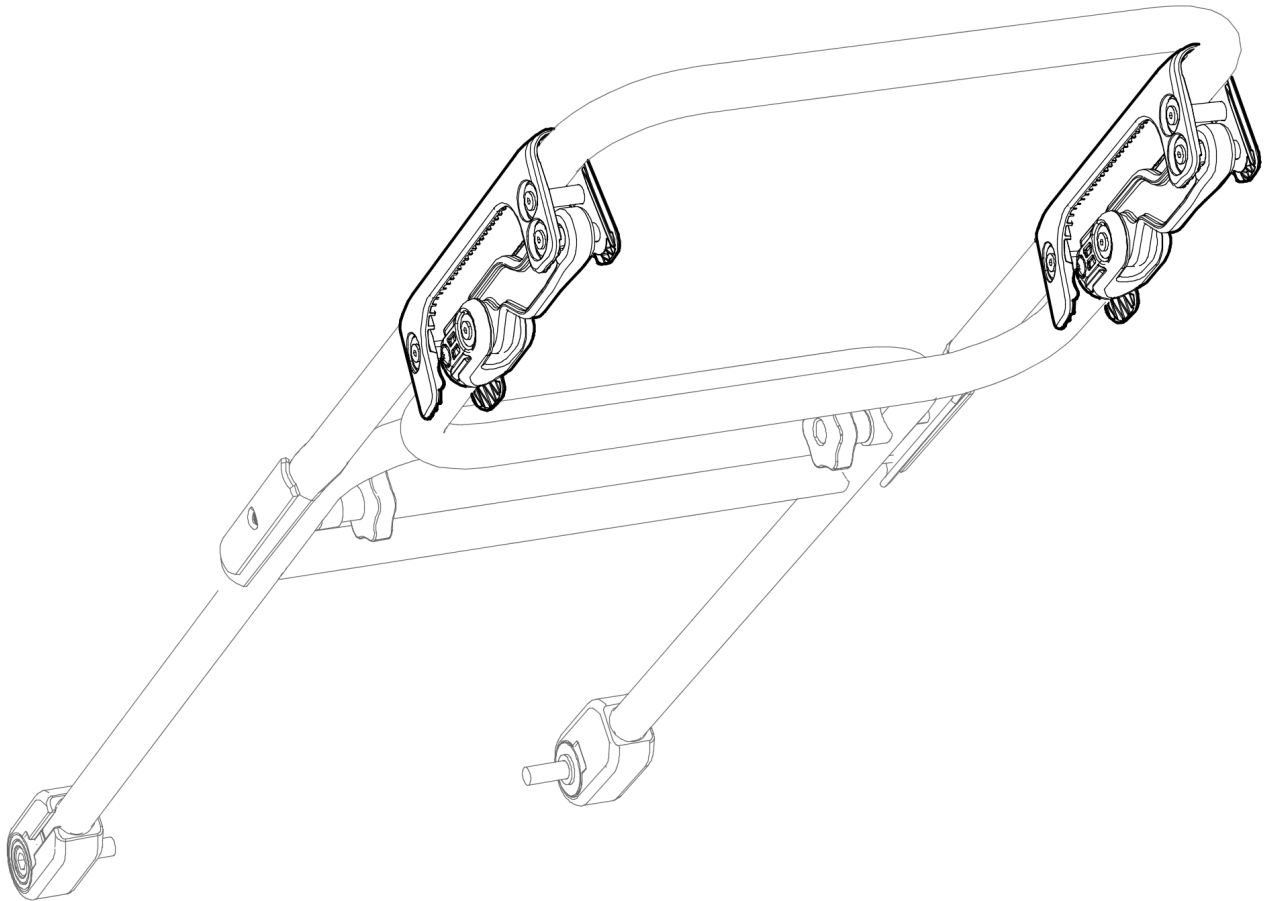
| Item | Part No. | Name | Qty | L |
|------|-----------|-------------------------|-----|---|
| 1 | 595120801 | Sprinkler system kit | 1 | |
| 2 | 594961101 | Water tank | 1 | |
| 3 | 594212301 | Valve rod, complete | 1 | |
| 4 | 594481101 | Handle | 1 | |
| 5 | 595061001 | Washer, 8,4x25x2 mm | 2 | |
| 6 | 595465901 | Screw, M8x25 mm 8.8 A2K | 1 | |
| 7 | 595062701 | Nut, M8 -8 DIN985 | 1 | |
| 8 | 595069601 | Washer, 6.4x18x1.6 mm | 1 | |
| 9 | 595465701 | Screw, M6x16 mm 8.8 A2K | 1 | |
| 10 | 594481401 | Cap | 1 | |
| 11 | 594483301 | Label | 1 | |
| 12 | 595360801 | Label | 1 | |

Service, repair and wear part kits Fork lifting device kit



| Item | Part No. | Name | Qty | L |
|------|-----------|---|-----|---|
| 1 | 595503101 | Fork lifting device kit | 1 | |
| 2 | 594489901 | Strap | 1 | |
| 3 | 595185701 | Screw, M8x25mm 8.8 A2K | 4 | |
| 4 | 595182701 | Washer, 9 x 25 x 3 mm, 0.35 x 0.98 x 0.12 in. | 8 | |
| 5 | 595064601 | Lock nut, M8x1.25 mm A2K | 8 | |

Service, repair and wear part kits Vibration damped handle kit



| Item | Part No. | Name | Qty | L |
|------|-----------|------------------------------|-----|---|
| 1 | 594205001 | Vibration damped handle kit | 1 | |
| 2 | 594482201 | Bracket | 2 | |
| 3 | 594524701 | Jointing nut, M6 x 30 mm 8.8 | 8 | |
| 4 | 594526701 | Screw, M6 x 12 mm 10.9 A2T | 16 | |
| 5 | 594480501 | Shock absorber | 2 | |
| 6 | 594482101 | Bracket | 2 | |
| 7 | 594166301 | Handle | 1 | |
| 8 | 594525001 | Screw, M5 x 10 mm A2K | 8 | |
| 9 | 594526601 | Washer, 6.4x18x1.6 mm A2T | 16 | |

Refurbishment kits 595388001 GoldKit LF 80

| | | | |
|--|------------------|------------------------------|------------|
| 1 | 595388001 | Gold Kit LF 80 | |
| Ground Plate and Eccentric System | | | |
| 2 | Eccentric System | Eccentric Element Repair Kit | 1 |
| 3 | | V-Belt Pulley | 1 |
| 4 | | Screw | 6 |
| 5 | | Lock Washer | 6 |
| 6 | | Shock absorber repair kit | 1 |
| Cosmetic Kit | | | |
| 7 | Covers | Cover | 1 |
| 8 | | Belt guard, outer | 1 |
| 9 | | Screw | 3 |
| 10 | | Nut | 1 |
| 11 | | Screw | 3 |
| 12 | | Screw | 1 |
| 13 | | Lock spring | 1 |
| 14 | | Washer | 3 |
| 15 | | Screw | 2 |
| 16 | | Handle | Handle Kit |
| 17 | Labeling | Product Label Kit | 1 |
| Engine | | | |
| 18 | Service Kit | Yearly Service Kit | 1 |

| Item | Part No. | Name | Qty | L |
|------|-----------|-----------------------------------|-----|---|
| 1 | 595388001 | Gold Kit LF 80 | 1 | |
| - | -- | Ground Plate and Eccentric System | 1 | |
| 2 | - | Eccentric Element Repair Kit | 1 | |
| 3 | - | V-Belt Pulley | 1 | |
| 4 | - | Screw | 6 | |
| 5 | - | Lock Washer | 6 | |
| 6 | - | Shock absorber repair kit | 1 | |
| - | -- | Cosmetic Kit | 1 | |
| 7 | - | Cover | 1 | |
| 8 | - | Belt guard, outer | 1 | |
| 9 | - | Screw | 3 | |
| 10 | - | Nut | 1 | |
| 11 | - | Screw | 3 | |
| 12 | - | Screw | 1 | |
| 13 | - | Lock Spring | 1 | |
| 14 | - | Flat gasket | 3 | |
| 15 | - | Screw | 2 | |
| 16 | - | Handle Kit | 1 | |
| 17 | - | Product Label Kit | 1 | |
| - | -- | Engine and Transmission | 1 | |
| 18 | - | Yearly Service Kit | 1 | |

Refurbishment kits 594219101 SilverKit LF 80

| | | | |
|--|------------------|------------------------------|---|
| 1 | 594219101 | Silver Kit LF 80 | |
| Ground Plate and Eccentric System | | | |
| 2 | Eccentric System | Eccentric Element Repair Kit | 1 |
| 3 | | V-Belt Pulley | 1 |
| 4 | | Screw | 6 |
| 5 | | Lock Washer | 6 |
| 6 | | Shock absorber repair kit | 1 |
| Engine | | | |
| 7 | Service Kit | Yearly Service Kit | 1 |

| Item | Part No. | Name | Qty | L |
|------|-----------|-----------------------------------|-----|---|
| 1 | 594219101 | Silver Kit LF 75 LAT | 1 | |
| - | -- | Ground Plate and Eccentric System | 1 | |
| 2 | - | Eccentric Element Repair Kit | 1 | |
| 3 | - | V-Belt Pulley | 1 | |
| 4 | - | Screw | 6 | |
| 5 | - | Lock Washer | 6 | |
| 6 | - | Shock absorber repair kit | 1 | |
| - | -- | Engine and Transmission | 1 | |
| 7 | - | Yearly Service Kit | 1 | |

Refurbishment kits 595386301 CosmeticKit LF 80

| 1 | 595386301 | Cosmetic Kit | |
|----|-----------------|-------------------|---|
| 2 | - | Cover | 1 |
| 3 | - | Belt guard, outer | 1 |
| 4 | - | Screw | 3 |
| 5 | - | Nut | 1 |
| 6 | - | Screw | 3 |
| 7 | - | Screw | 1 |
| 8 | - | Lock Spring | 1 |
| 9 | - | Washer | 3 |
| 10 | - | Screw | 2 |
| 11 | Handle | Handle Kit | 1 |
| 12 | Labeling | Product Label Kit | 1 |

| Item | Part No. | Name | Qty | L |
|------|-----------|-------------------|-----|---|
| 1 | 595386301 | Cosmetic Kit | 1 | |
| 2 | - | Cover | 1 | |
| 3 | - | Belt guard, outer | 1 | |
| 4 | - | Screw | 3 | |
| 5 | - | Nut | 1 | |
| 6 | - | Screw | 3 | |
| 7 | - | Screw | 1 | |
| 8 | - | Lock Spring | 1 | |
| 9 | - | Flat gasket | 3 | |
| 10 | - | Screw | 2 | |
| 11 | - | Handle Kit | 1 | |
| 12 | - | Product Label Kit | 1 | |

Refurbishment kits 595388101 GoldKit LF 80 LAT

| | | | | |
|--|------------------|------------------------------|------------------------|---|
| 1 | 595388101 | Gold Kit LF 80 LAT | | |
| Ground Plate and Eccentric System | | | | |
| 2 | Eccentric System | Eccentric Element Repair Kit | 1 | |
| 3 | | V-Belt Pulley | 1 | |
| 4 | | Screw | 6 | |
| 5 | | Lock Washer | 6 | |
| 6 | | Shock absorber repair kit | 1 | |
| Cosmetic Kit | | | | |
| 7 | Covers | Belt guard, outer | 1 | |
| 8 | | Screw | 3 | |
| 9 | | Nut | 1 | |
| 10 | | Screw | 3 | |
| 11 | | Screw | 1 | |
| 12 | | Lock spring | 1 | |
| 13 | | Washer | 3 | |
| 14 | | - | Screw | 2 |
| 15 | | - | Sprinkler Water System | 1 |
| 16 | | Handle | Handle Kit | 1 |
| 17 | Labeling | Product Label Kit | 1 | |
| Engine | | | | |
| 18 | Engine parts | Yearly Service Kit | 1 | |

| Item | Part No. | Name | Qty | L |
|------|-----------|-----------------------------------|-----|---|
| 1 | 595388101 | Gold Kit LF 80 LAT | 1 | |
| - | -- | Ground Plate and Eccentric System | 1 | |
| 2 | - | Eccentric Element Repair Kit | 1 | |
| 3 | - | V-Belt Pulley | 1 | |
| 4 | - | Screw | 6 | |
| 5 | - | Lock Washer | 6 | |
| 6 | - | Shock absorber repair kit | 1 | |
| - | -- | Cosmetic Kit | 1 | |
| 7 | - | Belt guard, outer | 1 | |
| 8 | - | Screw | 3 | |
| 9 | - | Nut | 1 | |
| 10 | - | Screw | 3 | |
| 11 | - | Screw | 1 | |
| 12 | - | Lock Spring | 1 | |
| 13 | - | Flat gasket | 3 | |
| 14 | - | Screw | 2 | |
| 15 | - | Sprinkler Water System | 1 | |
| 16 | - | Handle Kit | 1 | |
| 17 | - | Product Label Kit | 1 | |
| - | -- | Engine and Transmission | 1 | |
| 18 | - | Yearly Service Kit | 1 | |

Refurbishment kits 594219101 SilverKit_LF_80_LAT

| | | | |
|--|------------------|------------------------------|---|
| 1 | 594219101 | Silver Kit LF 80 LAT | |
| Ground Plate and Eccentric System | | | |
| 2 | Eccentric System | Eccentric Element Repair Kit | 1 |
| 3 | | V-Belt Pulley | 1 |
| 4 | | Screw | 6 |
| 5 | | Lock Washer | 6 |
| 6 | | Shock absorber repair kit | 1 |
| Engine | | | |
| 7 | Engine parts | Yearly Service Kit | 1 |

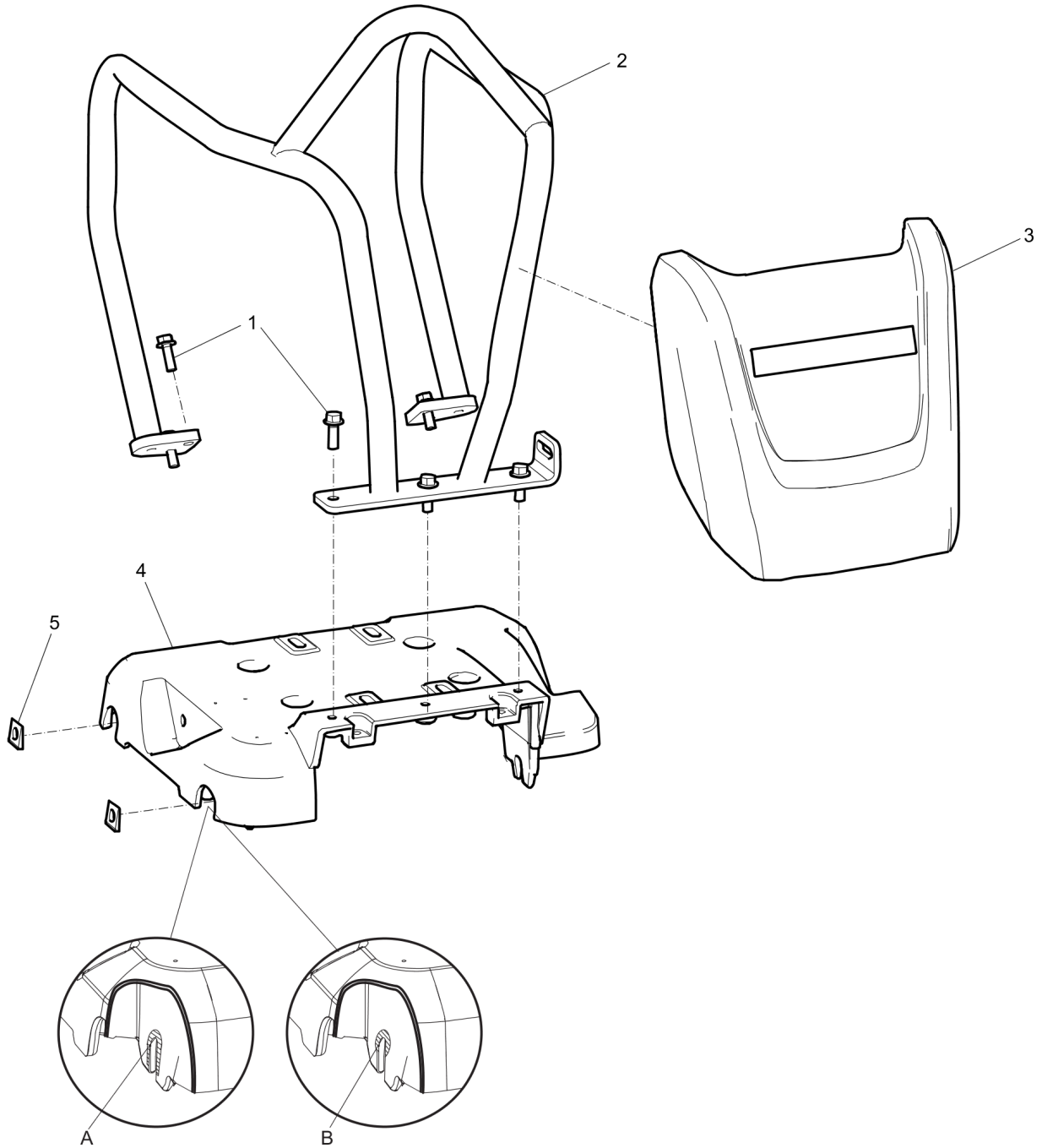
| Item | Part No. | Name | Qty | L |
|------|-----------|-----------------------------------|-----|---|
| 1 | 594219101 | Silver Kit LF 75 LAT | 1 | |
| - | -- | Ground Plate and Eccentric System | 1 | |
| 2 | - | Eccentric Element Repair Kit | 1 | |
| 3 | - | V-Belt Pulley | 1 | |
| 4 | - | Screw | 6 | |
| 5 | - | Lock Washer | 6 | |
| 6 | - | Shock absorber repair kit | 1 | |
| - | -- | Engine and Transmission | 1 | |
| 7 | - | Yearly Service Kit | 1 | |

Refurbishment kits 594215801 CosmeticKit LF 80 LAT

| 1 | 594215801 | Cosmetic Kit | |
|----|-----------|------------------------|---|
| 2 | - | Belt guard, outer | 1 |
| 3 | - | Screw | 3 |
| 4 | - | Nut | 1 |
| 5 | - | Screw | 3 |
| 6 | - | Screw | 1 |
| 7 | - | Lock Spring | 1 |
| 8 | - | Washer | 3 |
| 9 | - | Screw | 2 |
| 10 | - | Sprinkler Water System | 1 |
| 11 | - | Handle Kit | 1 |
| 12 | - | Product Label Kit | 1 |

| Item | Part No. | Name | Qty | L |
|------|-----------|---|-----|---|
| 1 | 594215801 | 200 Hours Service Kit / 12 Months Service Kit | 1 | |
| 2 | - | Belt guard, outer | 1 | |
| 3 | - | Screw | 3 | |
| 4 | - | Nut | 1 | |
| 5 | - | Screw | 3 | |
| 6 | - | Screw | 1 | |
| 7 | - | Lock Spring | 1 | |
| 8 | - | Flat gasket | 3 | |
| 9 | - | Screw | 2 | |
| 10 | - | Sprinkler Water System | 1 | |
| 11 | - | Handle Kit | 1 | |
| 12 | - | Product Label Kit | 1 | |

Spare parts list Engine plate installation, Honda



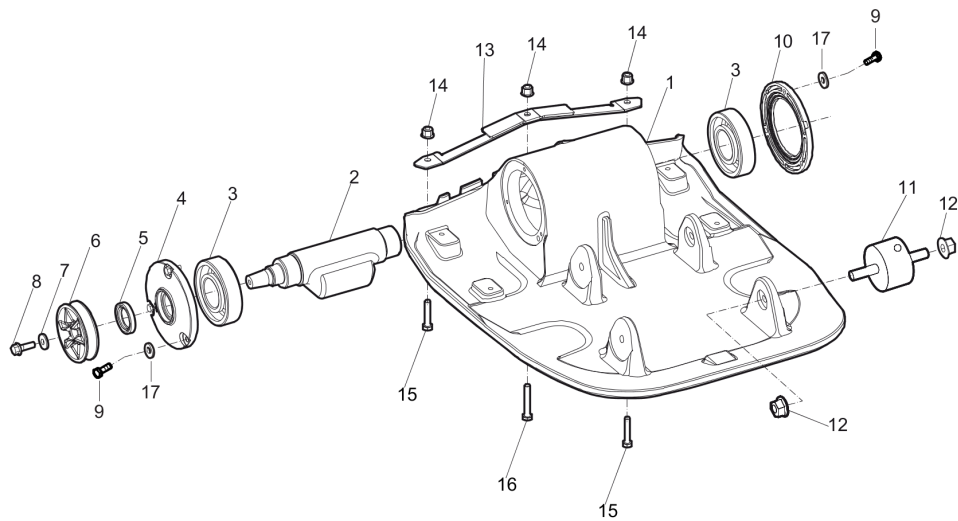
| Item | Part No. | Name | Qty | L |
|------|-----------|------------------------|-----|---|
| 1 | 595185701 | Screw, M8x25mm 8.8 A2K | 7 | |
| 2 | 594144601 | Protective frame | 1 | |
| 3 | 594958001 | Cover | 1 | |
| 4 | 594145401 | Engine plate | 1 | |
| 5 | 594526401 | Square taper washer | 2 | A |

Comments for Page: Engine plate installation, Honda

LOCAL REMARKS

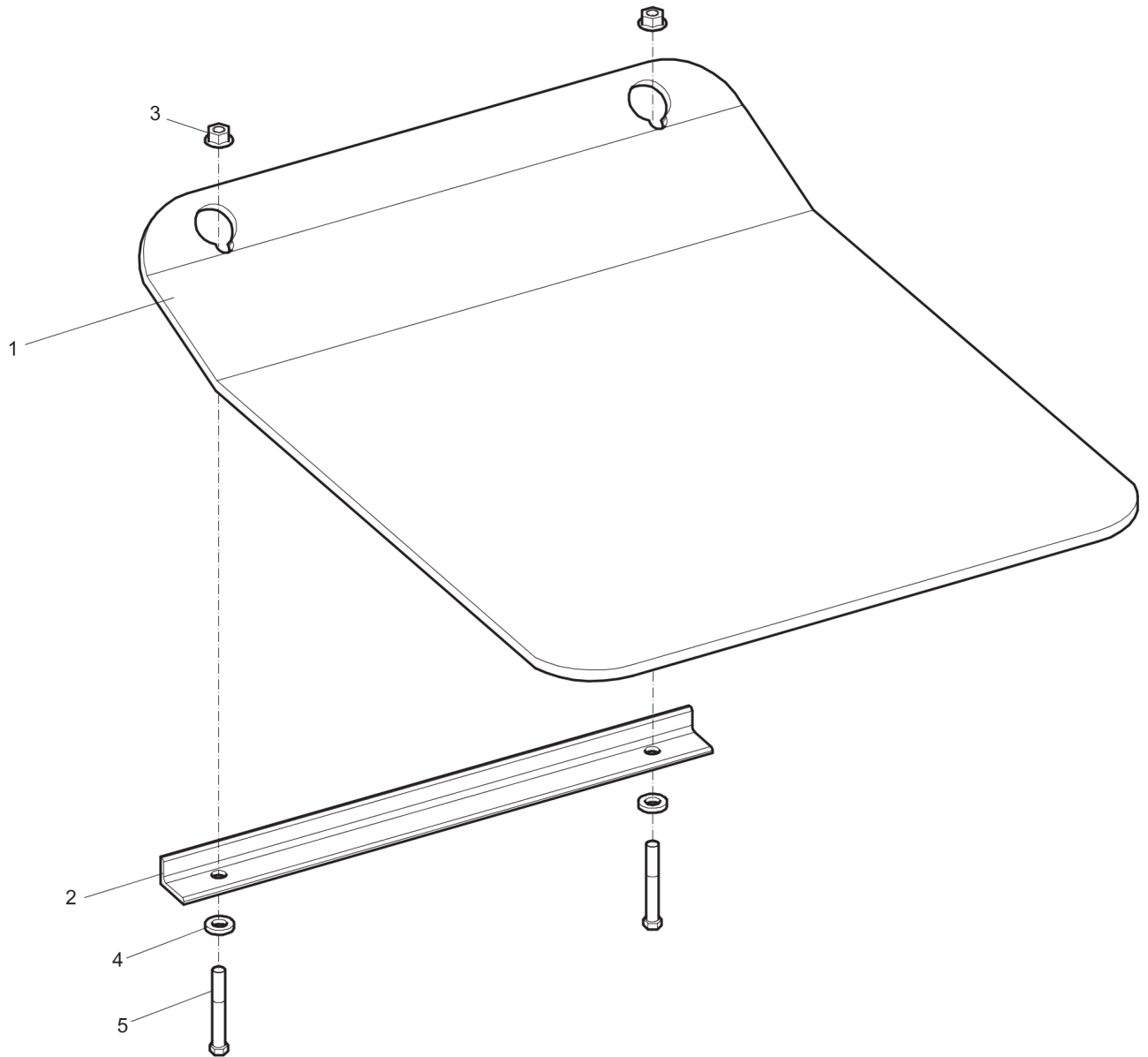
A | For engine plate with flat machined contact surface for washers.

Spare parts list Ground plate installation



| Item | Part No. | Name | Qty | L |
|------|-----------|--|-----|---|
| 1 | 594650801 | Ground plate | 1 | |
| 2 | 594644001 | Eccentric shaft | 1 | |
| 3 | 594526101 | Ball bearing | 2 | |
| 4 | 594490101 | Cover | 1 | |
| 5 | 594128301 | Lip-type oil seal | 1 | |
| 6 | 594486701 | V-belt pulley | 1 | |
| 7 | 594123401 | Washer, 8.4 x 16 x 1.5 mm, 0.33 x 0.63 x 0.06 in. 300 HV | 1 | |
| 8 | 594120001 | Screw, M8 x 25 mm 8.8 A2K | 1 | |
| 9 | 595033201 | Hex. head screw | 6 | |
| 10 | 594490201 | Cover | 1 | |
| 11 | 594341901 | Shock absorber | 4 | |
| 12 | 595181201 | Nut, M10 x 1.5 mm GEOMET® | 8 | |
| 13 | 594653301 | Sprinkler bar, 420 mm, 16.5 in. | 1 | |
| 14 | 595064601 | Lock nut, M8x1.25 mm A2K | 3 | |
| 15 | 595466101 | Screw, M8x40 mm 8.8 A2K | 2 | |
| 16 | 595054201 | Screw, M8x50 mm 8.8 A2K | 1 | |
| 17 | 594124601 | Lock washer | 6 | |

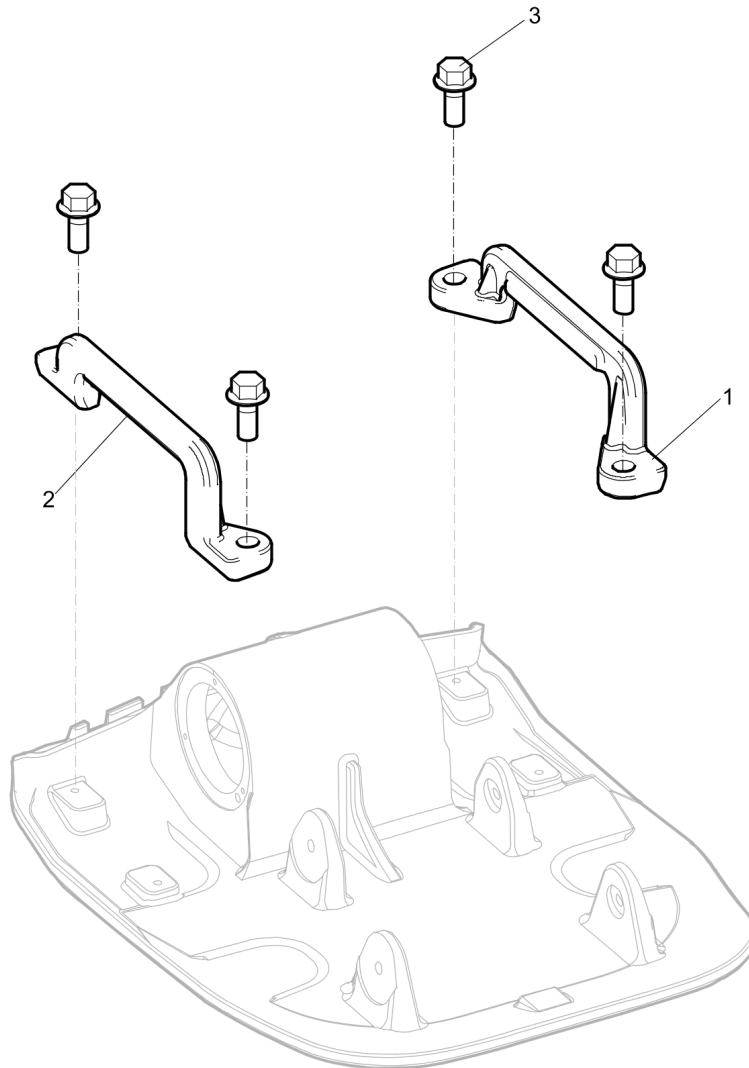
Spare parts list Block paving plate 420 mm (16.5 in.)



Refer to the Parts Online web page for most up-to-date information. The printed information might be outdated.

| Item | Part No. | Name | Qty | L |
|------|-----------|--------------------------------------|-----|---|
| 1 | 594484601 | Polyurethane plate, 420 mm, 16.5 in. | 1 | |
| 2 | 594484701 | Bracket | 1 | |
| 3 | 595065501 | Nut, M8 x 1.25 mm A2K | 2 | |
| 4 | 595066601 | Washer, 8.4x 6x1.5 mm 300HV | 2 | |
| 5 | 594522501 | Screw, M8 x 75 mm 8.8 A2K | 2 | |

Spare parts list Lifting handle



| Item | Part No. | Name | Qty | L |
|------|-----------|-------------------------|-----|---|
| 1 | 594486801 | Handle | 1 | A |
| 2 | 594486901 | Handle | 1 | B |
| 3 | 595179401 | Screw, M8x20 mm 8.8 A2K | 4 | |

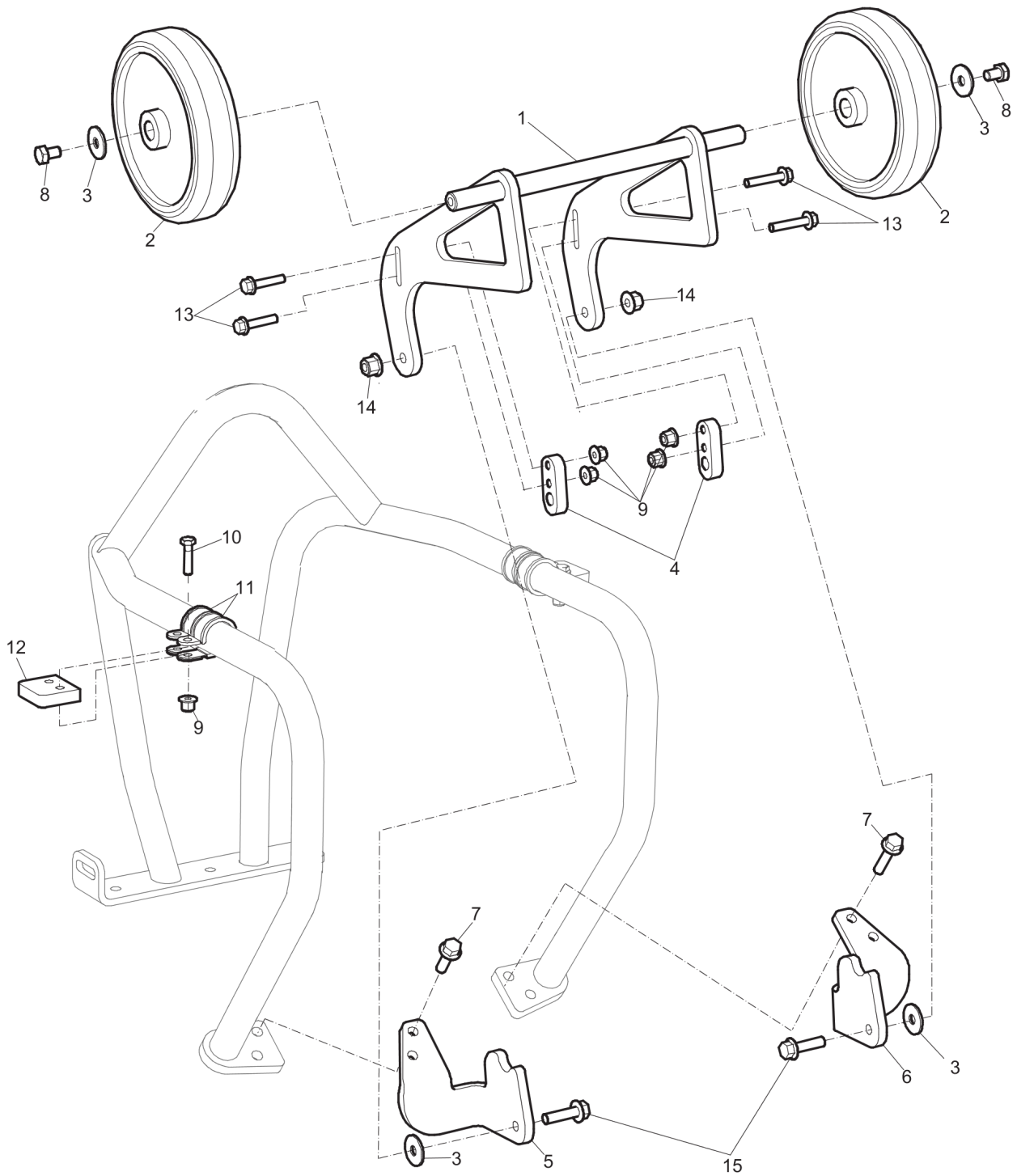
Comments for Page: Lifting handle

(L)OCAL REMARKS

A | Right

B | Left

Spare parts list Transport device, old version



Refer to the Parts Online web page for most up-to-date information. The printed information might be outdated.

| Item | Part No. | Name | Qty | L |
|------|-----------|--------------------------|-----|---|
| 1 | 594145801 | Fork | 1 | |
| 2 | 594455501 | Wheel | 2 | |
| 3 | 595061001 | Washer, 8,4x25x2 mm | 4 | |
| 4 | 594485101 | Lock | 2 | |
| 5 | 594145601 | Bracket | 1 | A |
| 6 | 594145701 | Bracket | 1 | B |
| 7 | 595185801 | Screw, M8 x 35 mm 8.8 | 4 | |
| 8 | 595053901 | Hex. screw | 2 | |
| 9 | 595064501 | Nut | 8 | C |
| 10 | 595466301 | Screw, M6-1,0x25 mm 8.8 | 4 | |
| 11 | 595068501 | Pipe clamp | 4 | |
| 12 | 594646001 | Stop | 2 | |
| 13 | 594499001 | Screw, M6x30 mm 8.8 A2K | 4 | |
| 14 | 595064601 | Lock nut, M8x1.25 mm A2K | 2 | |
| 15 | 595466601 | Screw, M8x30 mm 8.8 A2K | 2 | |

Comments for Page: Transport device, old version

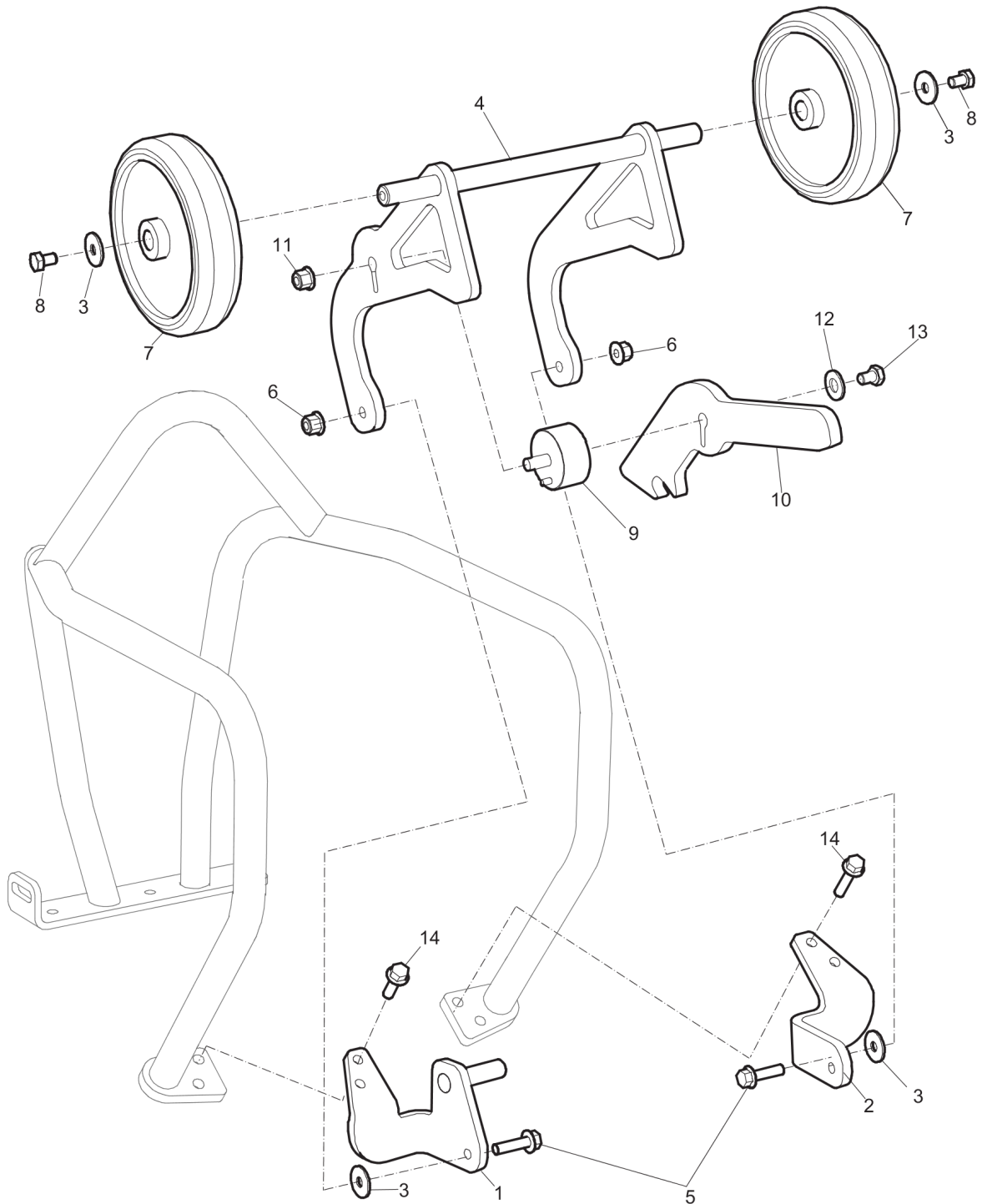
(L)OCAL REMARKS

A | Left

B | Right

C | M 6

Spare parts list Transport device, new version



Refer to the Parts Online web page for most up-to-date information. The printed information might be outdated.

| Item | Part No. | Name | Qty | L |
|------|-----------|--------------------------|-----|---|
| 1 | 594648701 | Bracket | 1 | A |
| 2 | 594648901 | Bracket | 1 | B |
| 3 | 595061001 | Washer, 8,4x25x2 mm | 4 | |
| 4 | 594648801 | Fork | 1 | |
| 5 | 595466601 | Screw, M8x30 mm 8.8 A2K | 2 | |
| 6 | 595064601 | Lock nut, M8x1.25 mm A2K | 2 | |
| 7 | 594455501 | Wheel | 2 | |
| 8 | 595053901 | Hex. screw | 2 | |
| 9 | 594462701 | Shock absorber | 1 | |
| 10 | 594651001 | Hook | 1 | |
| 11 | 595064701 | Nut, M10 | 1 | |
| 12 | 595066701 | plain washer | 1 | |
| 13 | 595055201 | Screw, M10x20 mm 8.8 A3K | 1 | |
| 14 | 595185701 | Screw, M8x25mm 8.8 A2K | 4 | |

Comments for Page: Transport device, new version

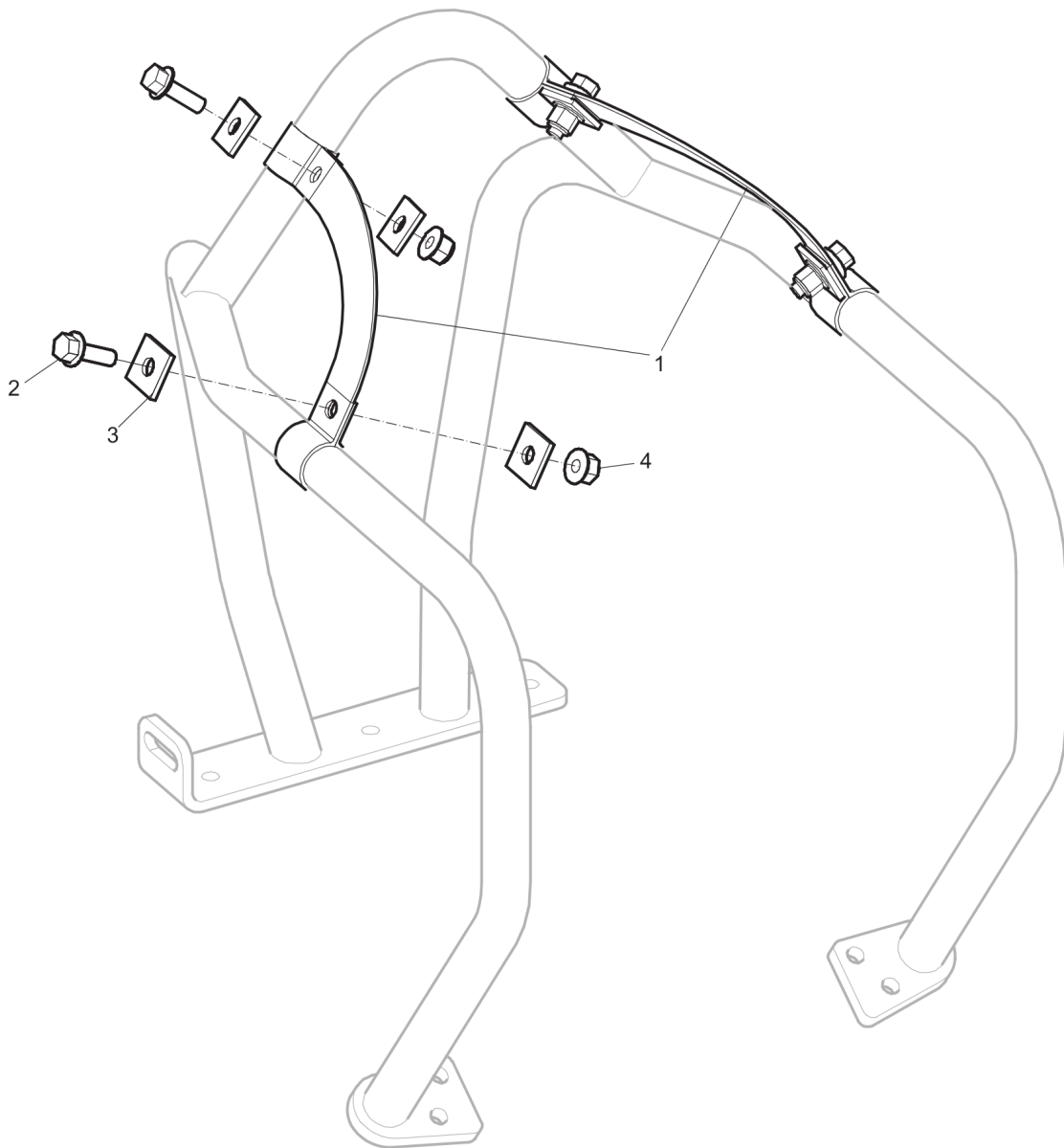
(L)OCAL REMARKS

A | left

B | Right

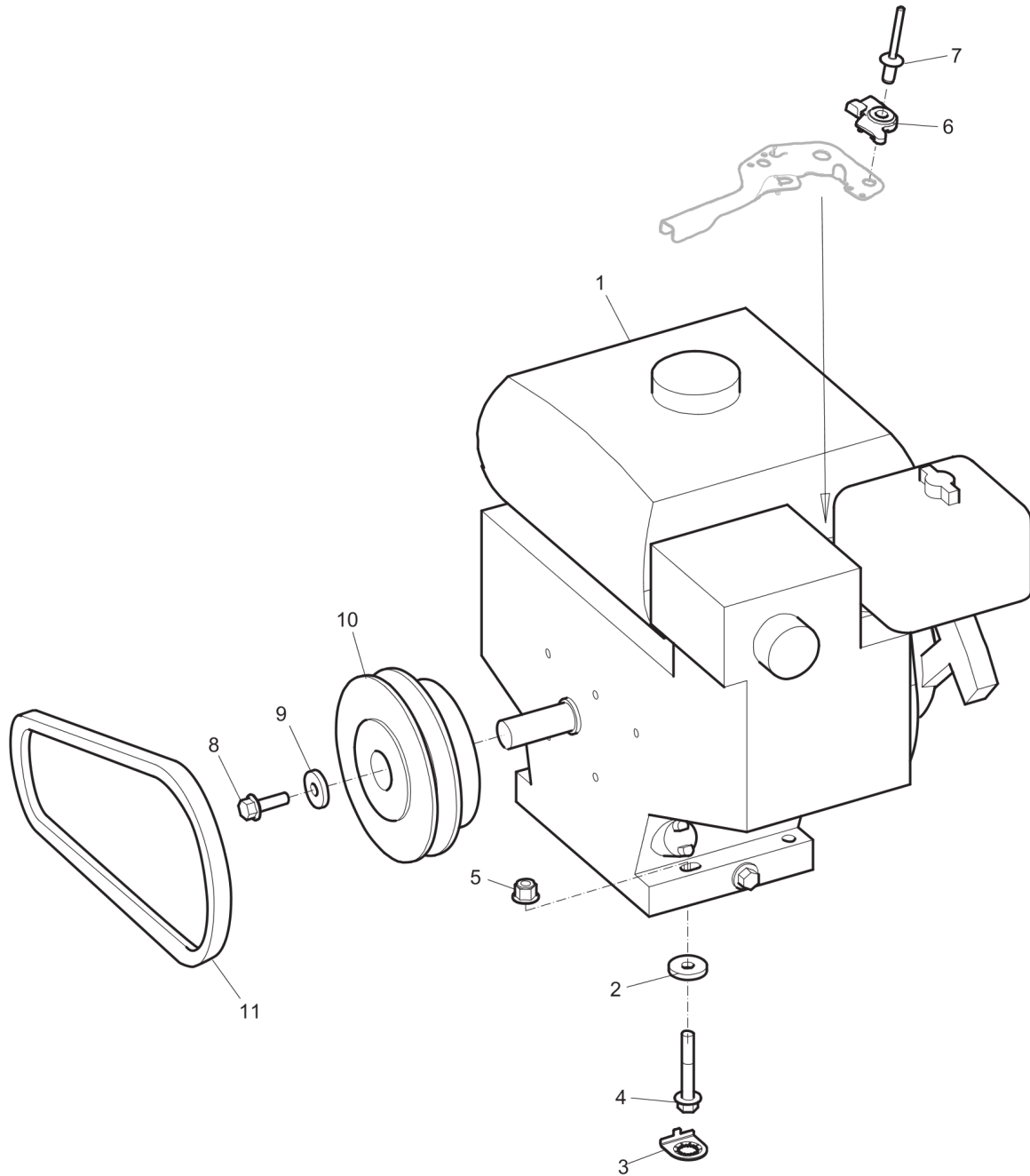
| Item | Part No. | Name | Qty | L |
|------|-----------|-------------------------|-----|---|
| 1 | 594961101 | Water tank | 1 | |
| 2 | 594212301 | Valve rod, complete | 1 | |
| 3 | 594127901 | O-ring, 15 x 4 mm | 1 | |
| 4 | - | Valve rod | 1 | |
| 5 | 594128001 | O-ring, 8 x 2.5 mm | 1 | |
| 6 | 595465701 | Screw, M6x16 mm 8.8 A2K | 1 | |
| 7 | 595061001 | Washer, 8,4x25x2 mm | 2 | |
| 8 | 595062701 | Nut, M8 -8 DIN985 | 1 | |
| 9 | 594483301 | Label | 1 | |
| 10 | 594481401 | Cap | 1 | |
| 11 | 595465901 | Screw, M8x25 mm 8.8 A2K | 1 | |
| 12 | 595069601 | Washer, 6.4x18x1.6 mm | 1 | |
| 13 | 594481101 | Handle | 1 | |

Spare parts list Fork lifting device



| Item | Part No. | Name | Qty | L |
|------|-----------|---|-----|---|
| 1 | 594489901 | Strap | 2 | |
| 2 | 595185701 | Screw, M8x25mm 8.8 A2K | 4 | |
| 3 | 595182701 | Washer, 9 x 25 x 3 mm, 0.35 x 0.98 x 0.12 in. | 8 | |
| 4 | 595064601 | Lock nut, M8x1.25 mm A2K | 4 | |

Spare parts list Engine installation, Honda



Refer to the Parts Online web page for most up-to-date information. The printed information might be outdated.

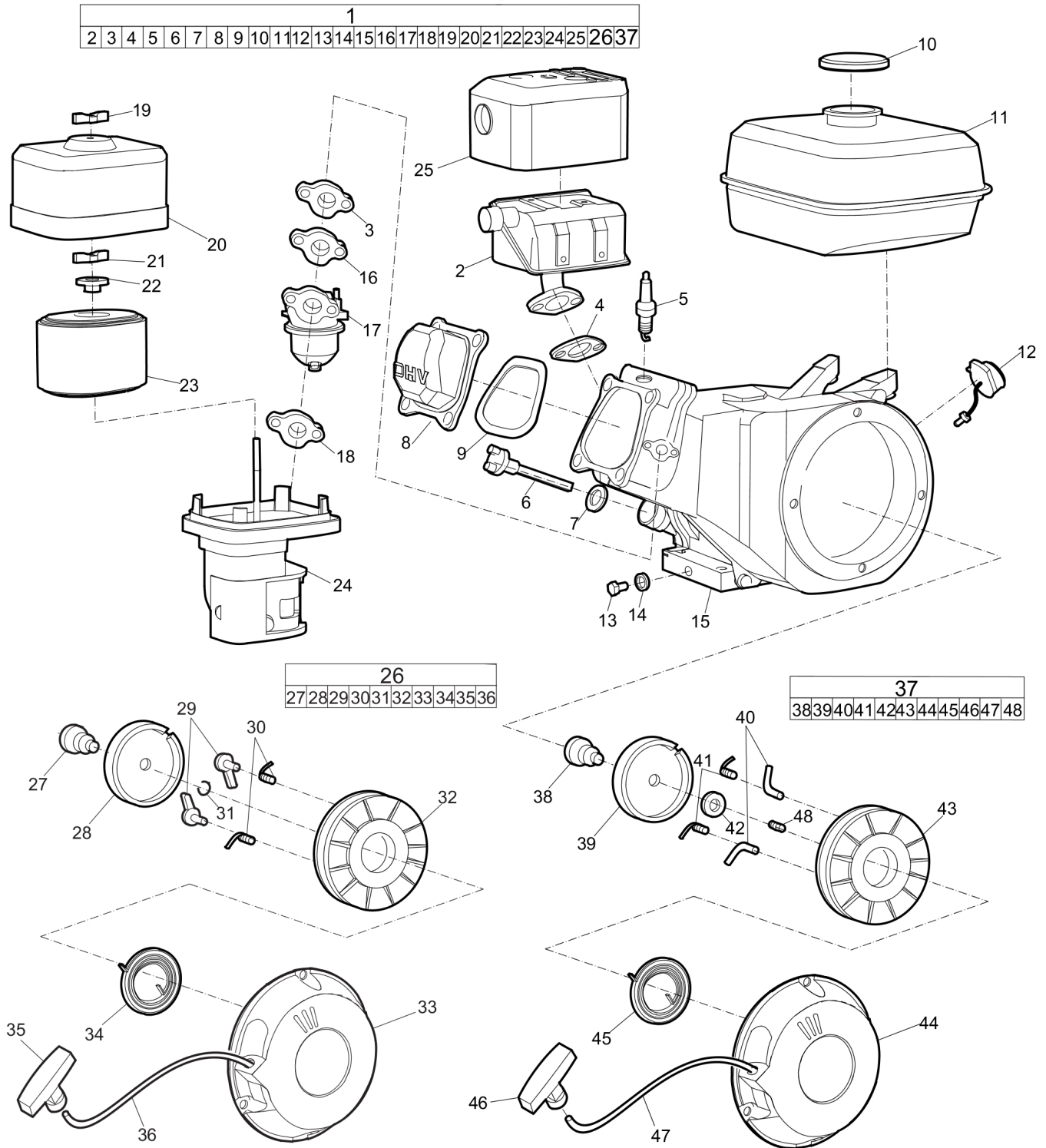
| Item | Part No. | Name | Qty | L |
|------|-----------|--|-----|---|
| 1 | 594329901 | Engine, Honda GX160UT2 SXS4 SD | 1 | A |
| 2 | 595068001 | Washer, 8.4x26x4 mm 300 HV | 4 | |
| 3 | 594484201 | Washer | 4 | |
| 4 | 594499101 | Screw, M8x50 mm 8.8 A2K | 4 | |
| 5 | 595064601 | Lock nut, M8x1.25 mm A2K | 4 | |
| 6 | 595177601 | Stiffener | 1 | |
| 7 | - | Blind rivet, 6.4 x 12 mm , 0.25 x 0.47 in. | 1 | |
| 8 | 595185701 | Screw, M8x25mm 8.8 A2K | 1 | |
| 9 | 595068001 | Washer, 8.4x26x4 mm 300 HV | 1 | |
| 10 | 594480101 | Centrifugal clutch | 1 | |
| 11 | 594488801 | V-belt | 1 | |

Comments for Page: Engine installation, Honda

(L)OCAL REMARKS

A | Honda GX160UT2 SXS4 SD

Spare parts list Engine, Honda GX 160 UT2 SXS4 OH



Refer to the Parts Online web page for most up-to-date information. The printed information might be outdated.

| Item | Part No. | Name | Qty | L |
|------|-----------|--------------------------------|-----|------|
| 1 | 594329901 | Engine, Honda GX160UT2 SXS4 SD | 1 | |
| 2 | 594203601 | Silencer | 1 | |
| 3 | 594204101 | Gasket | 1 | |
| 4 | 594300401 | Gasket, muffler | 1 | |
| 5 | 594204001 | Plug, spark (bpr6es) (ngk) | 1 | |
| 6 | 594203801 | Cap assy., oil filler | 1 | |
| 7 | 594203901 | Gasket | 1 | |
| 8 | 595471101 | Cover comp., head | 1 | |
| 9 | 595048801 | Gasket | 1 | |
| 10 | 594204601 | Fuel cap | 1 | |
| 11 | 594204501 | Fuel tank | 1 | |
| 12 | 594204401 | Switch assy., engine stop | 1 | |
| 13 | 595452801 | Oil plug | 1 | |
| 14 | 595048901 | Oil plug gasket | 1 | |
| 15 | - | Engine part | 1 | |
| 16 | 594572601 | Gasket | 1 | |
| 17 | 594203701 | Carburetor | 1 | |
| 18 | 595070001 | Spacer | 1 | |
| 19 | 595049301 | Nut | 1 | |
| 20 | 595049201 | Cover | 1 | |
| 21 | 595049301 | Nut | 1 | |
| 22 | 595049401 | Grommet | 1 | |
| 23 | 594302101 | Air Filter, complete | 1 | A |
| 24 | 594582401 | Air filter housing | 1 | |
| 25 | 594300201 | Muffler cover, upper | 1 | |
| 26 | 594300601 | Recoil starter, cpl | 1 | B, E |
| 27 | 594304501 | Screw | 1 | |
| 28 | 594304401 | Guide | 1 | |
| 29 | 594304201 | Ratchet | 2 | B |
| 30 | 594304101 | Spring | 2 | |
| 31 | 594304301 | Friction spring | 1 | B |
| 32 | 594304001 | Reel | 1 | |
| 33 | - | Housing | 1 | |
| 34 | 594303901 | Spring | 1 | |
| 35 | 594304801 | Grip, starter | 1 | |
| 36 | 595049101 | Starting rope | 1 | |
| 37 | 594204801 | Starter assy., recoil *nh1* | 1 | C, D |
| 38 | 595381301 | Adjustment screw | 1 | C |

Refer to the Parts Online web page for most up-to-date information. The printed information might be outdated.

| Item | Part No. | Name | Qty | L |
|------|-----------|-----------------|-----|---|
| 39 | 594304401 | Guide | 1 | |
| 40 | 594204201 | Ratchet | 2 | C |
| 41 | 594304101 | Spring | 2 | |
| 42 | 595131001 | Friction washer | 1 | C |
| 43 | 594204301 | Reel | 1 | C |
| 44 | - | Housing | 1 | |
| 45 | 594303901 | Spring | 1 | |
| 46 | 594304801 | Grip, starter | 1 | |
| 47 | 595049101 | Starting rope | 1 | |
| 48 | 594204701 | Friction spring | 1 | |

Comments for Page: Engine, Honda GX 160 UT2 SXS4 OH

(L)OCAL REMARKS

A | Delivered with outer and inner filter.

B | Valid up to engine serial number 1411005.

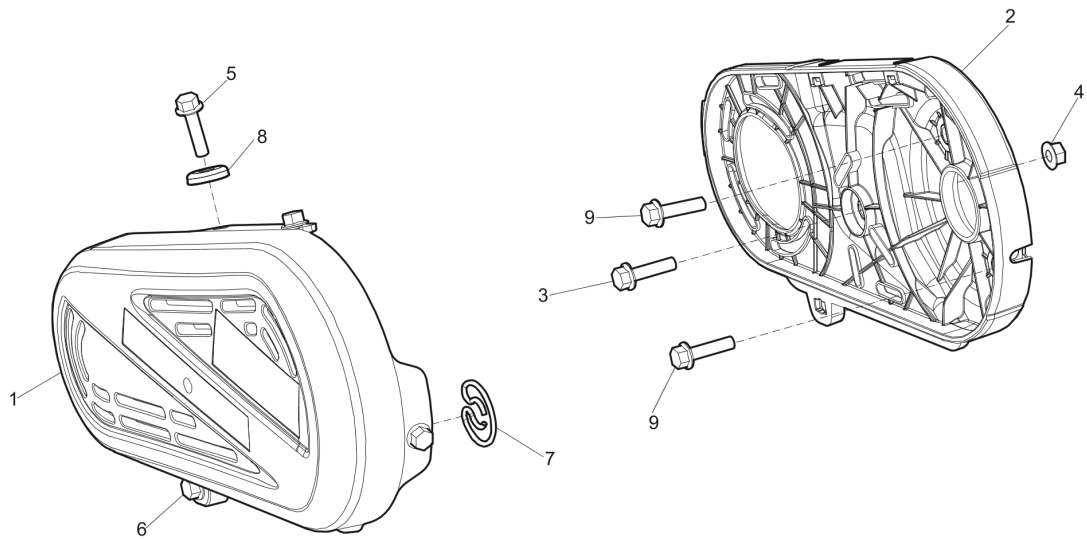
C | Valid from engine serial number 1411006.

D | Black

E | Red

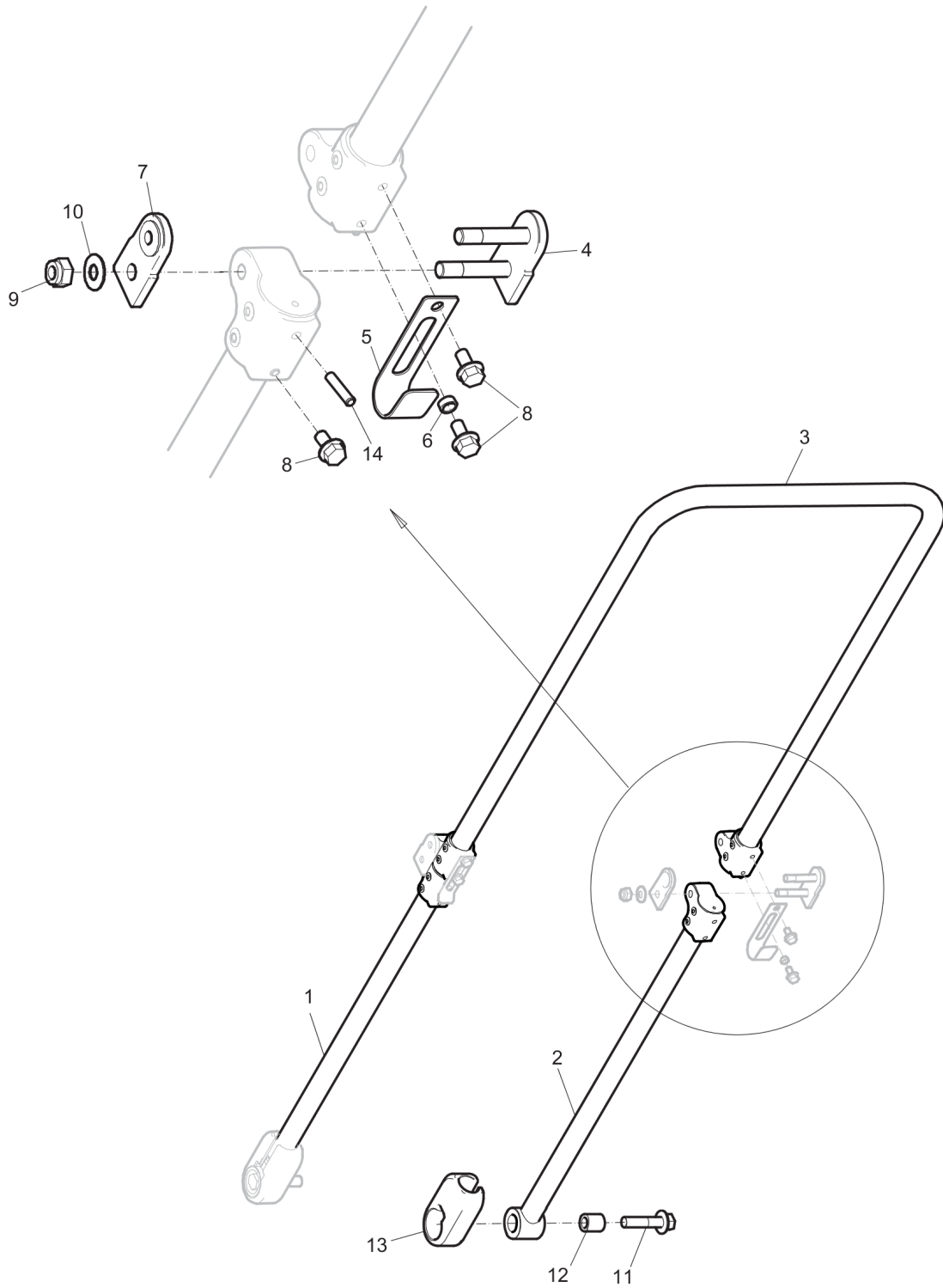
This page intentionally left blank

Spare parts list Transmission cover, Honda



| Item | Part No. | Name | Qty | L |
|------|-----------|---------------------------|-----|---|
| 1 | 594960701 | Belt guard, inner | 1 | |
| 2 | 594483101 | Belt guard, outer | 1 | |
| 3 | 594120001 | Screw, M8 x 25 mm 8.8 A2K | 3 | |
| 4 | 595065501 | Nut, M8 x 1.25 mm A2K | 1 | |
| 5 | 594119801 | Flange screw | 3 | |
| 6 | 594648001 | Screw, M8 x 25 mm 8.8 A2K | 1 | |
| 7 | 594650201 | Lock spring | 1 | |
| 8 | 594647801 | Washer | 3 | |
| 9 | 594746701 | Screw, M8 x 20 mm 8.8 A2K | 2 | |

Spare parts list Standard handle, old version



| Item | Part No. | Name | Qty | L |
|------|-----------|--|-----|---|
| 1 | 594144001 | Handle | 1 | A |
| 2 | 594144101 | Handle | 1 | B |
| 3 | 594144201 | Handle | 1 | |
| 4 | 594482801 | Link | 2 | |
| 5 | 594484501 | Cover | 2 | |
| 6 | 594485201 | Spacer sleeve | 2 | |
| 7 | 594485301 | Washer | 2 | |
| 8 | 594525201 | Screw, M6 x 40 mm A2K | 6 | |
| 9 | 595062701 | Nut, M8 -8 DIN985 | 4 | |
| 10 | 594525101 | Disc spring, 18 x 8.2 x 1 mm, 0.71 x 0.32 x 0.04 in. | 4 | |
| 11 | 594530001 | Screw, M12 x 50 mm 8.8 A3K | 2 | |
| 12 | 594480301 | Sleeve bearing | 2 | |
| 13 | 594480401 | Shock absorber | 2 | |
| 14 | 594525601 | Spirol pin, 5 x 25 mm, 0.20 x 0.98 in. | 2 | |

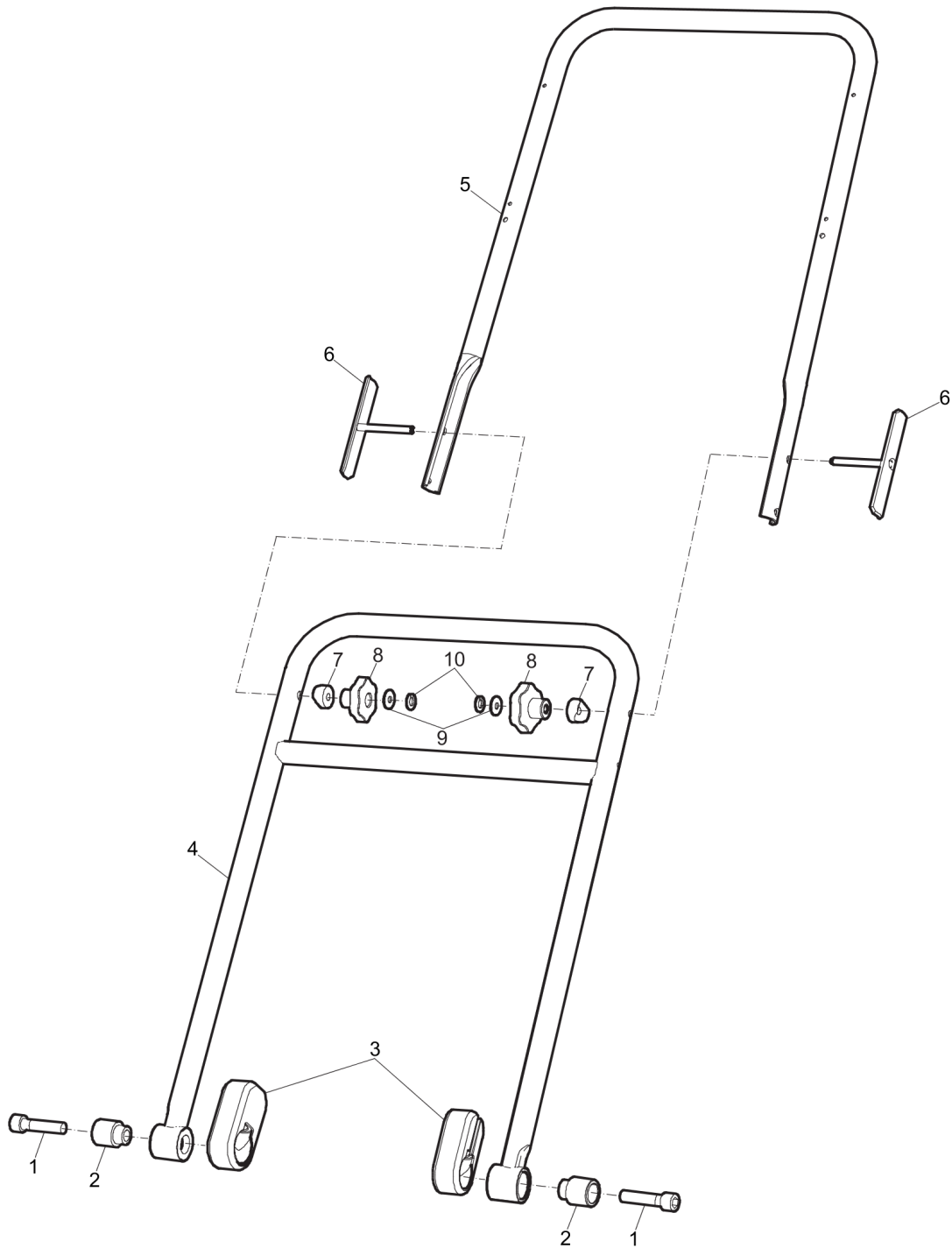
Comments for Page: Standard handle, old version

(L)OCAL REMARKS

A | Left

B | Right

Spare parts list Standard handle for Honda, new version



Refer to the Parts Online web page for most up-to-date information. The printed information might be outdated.

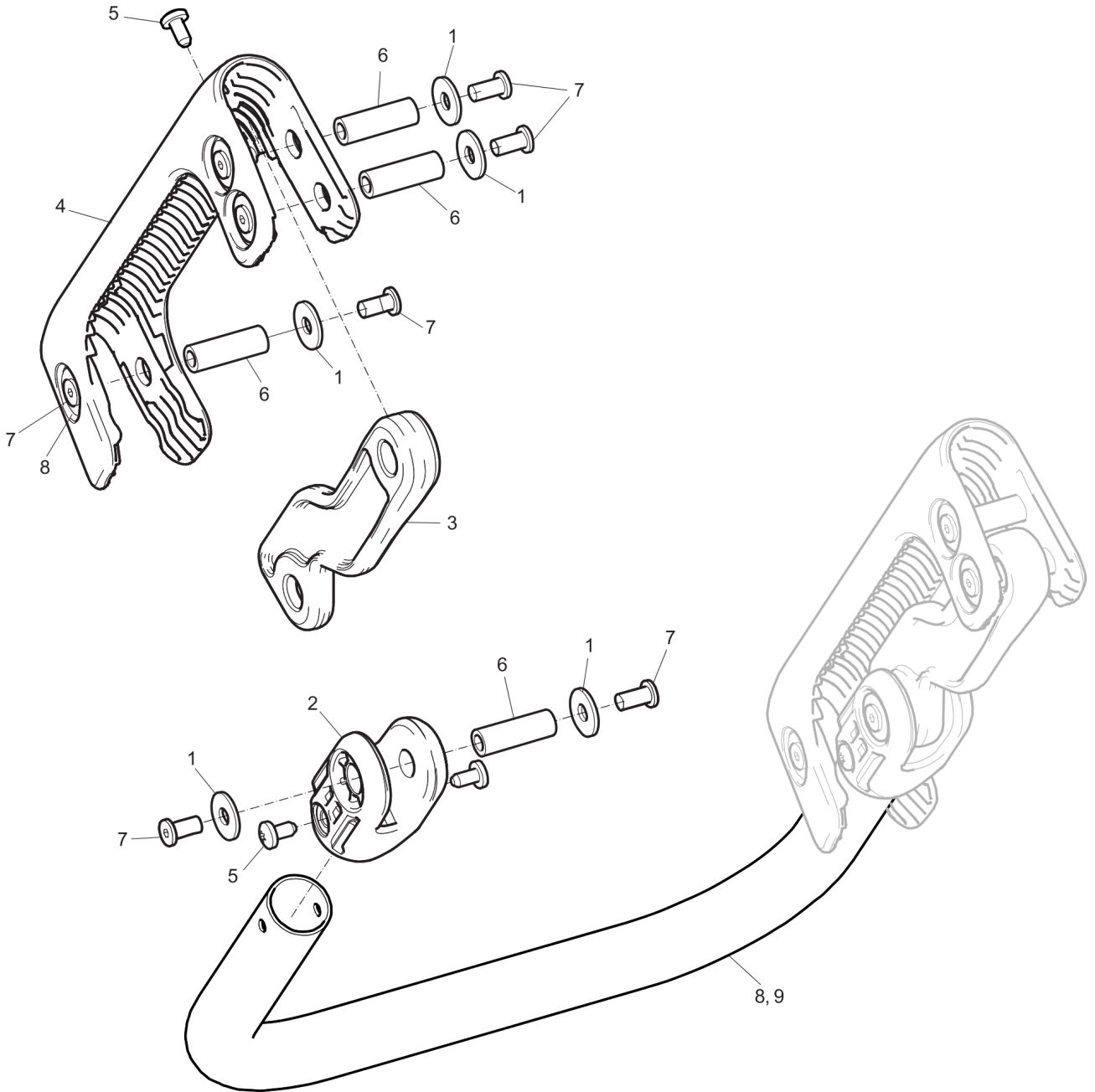
| Item | Part No. | Name | Qty | L |
|------|-----------|--|-----|---|
| 1 | 595058101 | Screw, M12 x 50 mm 8.8 A3K , See section "Handle, standard". | 2 | |
| 2 | 594654701 | Sleeve | 2 | |
| 3 | 594480401 | Shock absorber | 2 | |
| 4 | 594654001 | Handle | 1 | |
| 5 | 594654101 | Handle | 1 | A |
| 6 | 594654401 | Bracket | 2 | |
| 7 | 594654201 | Sleeve | 2 | |
| 8 | 594654301 | Knob | 2 | |
| 9 | 595067101 | Washer, 5,3x10x1 300HV | 2 | |
| 10 | 594265501 | Retainer ring, 4.8 x 7 x 0.6 mm, 0.18 x 0.26 x 0.02 in. | 2 | |

Comments for Page: Standard handle for Honda, new version

LOCAL REMARKS

A | Upper

Spare parts list Vibration damped handle



Refer to the Parts Online web page for most up-to-date information. The printed information might be outdated.

| Item | Part No. | Name | Qty | L |
|------|-----------|------------------------------|-----|---|
| 1 | 594526601 | Washer, 6.4x18x1.6 mm A2T | 16 | |
| 2 | 594482201 | Bracket | 2 | |
| 3 | 594480501 | Shock absorber | 2 | |
| 4 | 594482101 | Bracket | 2 | |
| 5 | 594525001 | Screw, M5 x 10 mm A2K | 8 | |
| 6 | 594524701 | Jointing nut, M6 x 30 mm 8.8 | 8 | |
| 7 | 594526701 | Screw, M6 x 12 mm 10.9 A2T | 16 | |
| 8 | 594480601 | Handle | 1 | A |
| 9 | 594166301 | Handle | 1 | B |

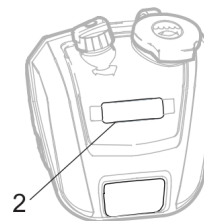
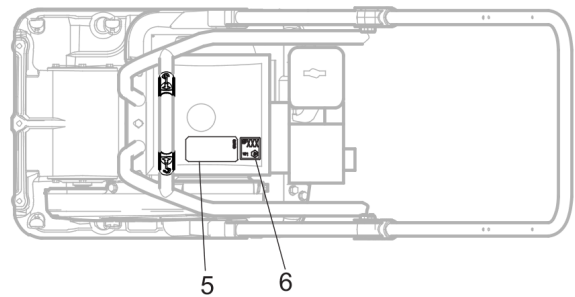
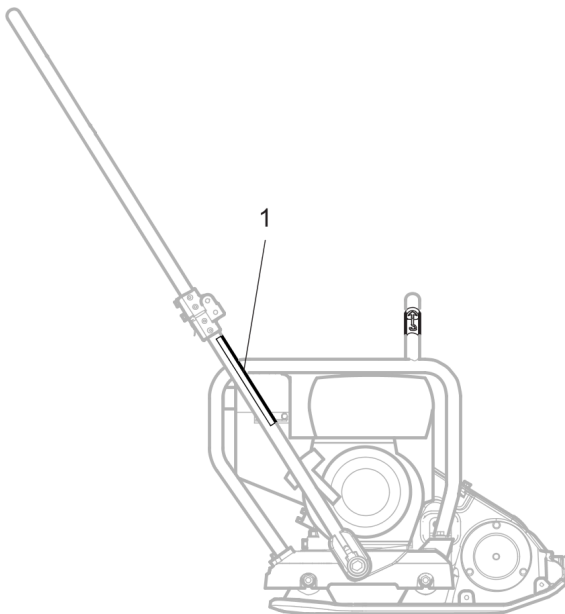
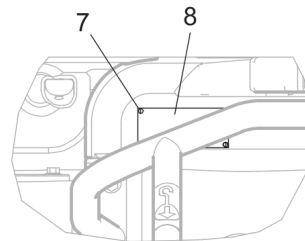
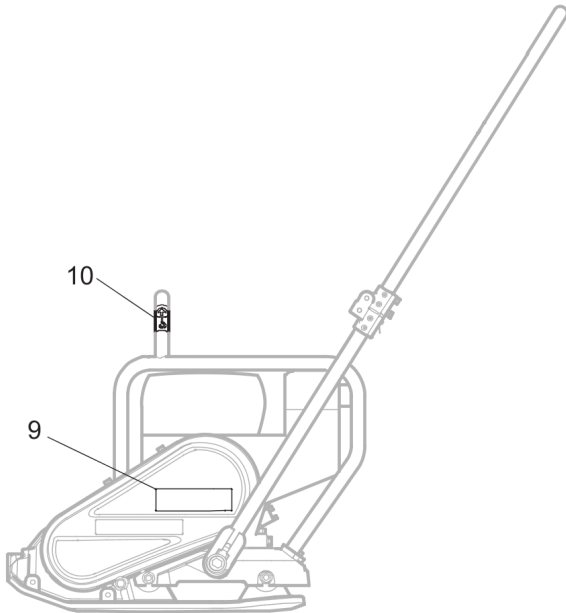
Comments for Page: Vibration damped handle

(L)OCAL REMARKS

A | Old version

B | New version, use together with new standard handles.

Spare parts list Labels



| Item | Part No. | Name | Qty | L |
|------|-----------|---------------------------------------|-----|---|
| 1 | 594486201 | Label, start instruction | 1 | A |
| 2 | 595376501 | Product label | 2 | B |
| 5 | 594486301 | Instruction label | 1 | E |
| 6 | 595468301 | Decal "SOUND POWER LEVEL" | 1 | C |
| 7 | - | Drive screw | 4 | |
| 8 | - | Data plate (Not available separately) | 1 | D |
| 9 | 595120201 | Product label | 1 | F |
| 10 | 595051201 | Label lifting point | 1 | G |

Comments for Page: Labels

(L)OCAL REMARKS

A | Start instruction

B | "-"

C | "LF 80"

D | "LF 80"

E | Assembly

F | "LF 80"

G | Lift point

Any unauthorized use or copying of the contents or any part thereof is prohibited.
This applies in particular to trademarks, model denominations, part numbers, and drawings.