

# LF 60 LA

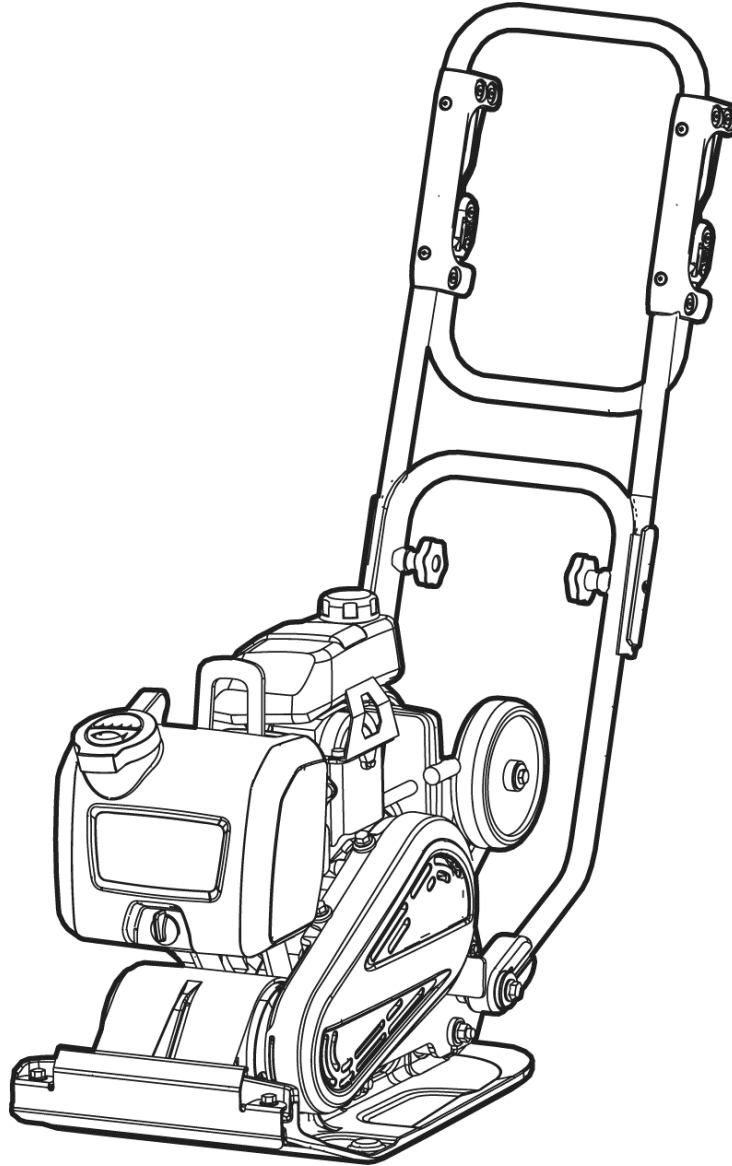
---

## Spare parts list

### Forward plate

LF 60 LA

Engine: Honda GX 100



# General information

This spare parts list applies to the following:

Part number	Description
967854801	Forward plate LF 60 Honda LAT 350 mm (13.78 in.)
967897501	Forward plate LF 60 Honda LA 350 mm (13.78 in.)

Use only authorized parts. Any damage or malfunction caused by the use of unauthorized parts is not covered by Warranty or Product Liability. Any unauthorized use or copying of the contents or any part thereof is prohibited. This applies in particular to trademarks, model denominations, part numbers, and drawings.

## Instructions for use

This spare parts list contains no safety regulations and is merely intended to assist in the ordering of spare parts.

For information about operating, servicing, or repairing, the relevant Safety and operating instructions must be consulted at all costs.

Please observe the safety instructions listed in the relevant Safety and operating instructions!

Kits and consumables .....	1
----------------------------	---

**Preventative Maintenance Kits**

Start Up Kit .....	3
12 months / 200 hours service kit .....	5

**Service, repair and wear part kits**

Shock absorber repair kit .....	7
Eccentric element repair kit .....	9
Transport device kit .....	11
Handle kit .....	13
Vibration damped handle kit .....	15
Block paving kit .....	17

**Refurbishment kits**

595387801 GoldKit LF 60 LAT .....	19
595387501 SilverKit LF 60 LAT .....	21
595386101 Cosmetickit_LF 60 LAT .....	23

**Spare parts list**

Lifting eye, engine plate and sprinkler system .....	25
Ground plate installation .....	27
Block paving plate .....	29
Transport device .....	31
Engine installation, Honda .....	33
Engine, Honda GX 100 SE3 OH .....	35
Transmission cover, Honda .....	37
Standard handle, new version .....	39
Vibration damped handle .....	41
Labels .....	43

## Kits and consumables

<b>Service offers resume LF60LA</b>	<b>Item</b>	<b>Number</b>	<b>Description</b>
<b>Lubricants</b>	1		Can Paroil E Mission Green 5 Liter/1.32 Gallon
	2		Can Paroil E Mission Green 20 Liter/5.3 Gallon
	3		Can Paroil E Mission Green 210 Liter/55.5 Gallon
<b>Preventive maintenance</b>	4	594194001	One year service kit
<b>Rebuild&amp;Overhaul kits</b>	5	594205101	Vibration damped handle kit
	6	594205201	Handle kit
<b>Wear &amp; Repair kits</b>	7	594194301	Eccentric element repair kit
	8	594194501	Shock absorber repair kit

Item	Part No.	Name	Qty	L
1	-	Drum Paroil Mission green 210 Liter/55.5 Gallon	1	
2	-	Can Paroil Mission green 20 Liter/5.3 Gallon	1	
3	-	Drum Paroil Mission green 210 Liter/55.5 Gallon	1	
4	594194001	One year service kit	1	
5	594205101	Vibration damped handle kit	1	
6	594205201	Handle kit	1	
7	594194301	Eccentric element repair kit	1	
8	594194501	Shock absorber repair kit	1	

**Preventative Maintenance Kits** Start Up Kit

NO EXPLODED VIEW  
AVAILABLE  
FOR THIS BOM

Item	Part No.	Name	Qty	L
1	594214201	Start Up Kit	1	
2	594215701	200 Hours Service Kit / 12 Months Service Kit	1	
3	594585001	Air filter, outer	1	
4	594584901	Air filter element	1	
5	594186901	V-belt	1	
6	594584901	Air filter element	1	

**Preventative Maintenance Kits** 12 months / 200 hours service kit

NO EXPLODED VIEW  
AVAILABLE  
FOR THIS BOM



Item	Part No.	Name	Qty	L
1	594215701	200 Hours Service Kit / 12 Months Service Kit	1	
2	594585001	Air filter, outer	1	
3	594584901	Air filter element	1	
4	594186901	V-belt	1	

**Service, repair and wear part kits** Shock absorber repair kit

NO EXPLODED VIEW  
AVAILABLE  
FOR THIS BOM

Item	Part No.	Name	Qty	L
1	594194501	Shock absorber repair kit	1	
2	594525901	Shock absorber	4	A
3	-	Washer, 10.5 x 28 x 6 mm, 0.41 x 1.10 x 0.24 in. 300 HV , See section "Ground plate installation".	4	
4	-	Nut, M10 A3K, See section "Ground plate installation".	8	
5	594480401	Shock absorber	2	B
6	-	Washer, 11 x 35 x 2 mm, 0.43 x 1.38 x 0.08 in, See section "Handle, standard".	2	
7	-	Screw, M10 x 70 mm 8.8 A3K , See section "Handle, standard".	2	

Comments for Page: Shock absorber repair kit

(L)OCAL REMARKS

A | For ground plate

B | For handle

**Service, repair and wear part kits** Eccentric element repair kit

NO EXPLODED VIEW  
AVAILABLE  
FOR THIS BOM

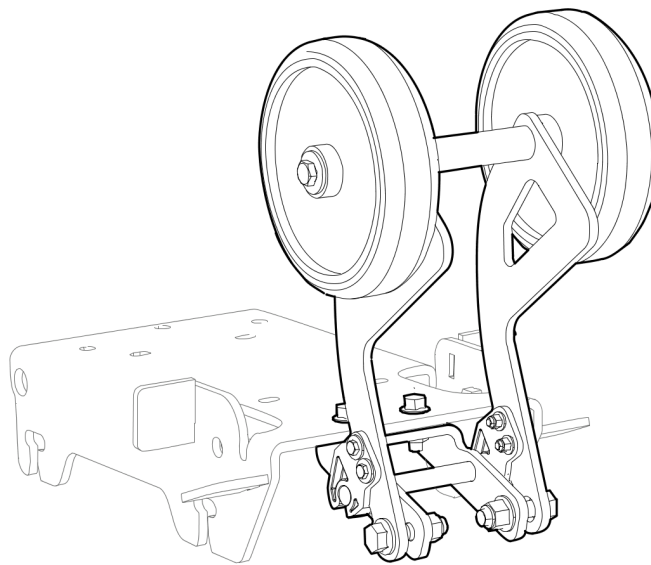
Item	Part No.	Name	Qty	L
1	594194301	Eccentric element repair kit	1	
2	-	Screw, M8 x 25 mm 8.8 A2K, See section "Ground plate installation".	1	
3	-	Washer, 8.4 x 22 x 3 mm, 0.33 x 0.87 x 0.12 in. HV300, See section "Ground plate installation".	1	
4	595048001	Lip-type oil seal	1	A
5	-	Screw, M6 x 16 mm 8.8 A2K, See section "Ground plate installation".	6	
6	594526001	Ball bearing	2	A

Comments for Page: Eccentric element repair kit

(L)OCAL REMARKS

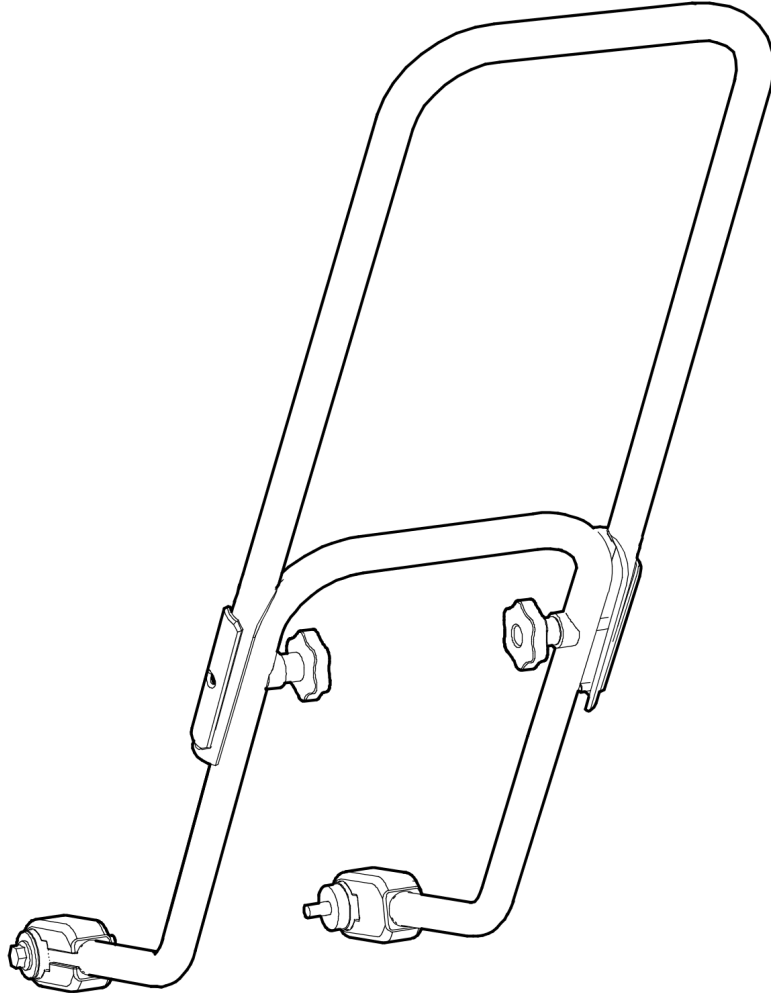
A | See section "Ground plate installation".

**Service, repair and wear part kits** Transport device kit



Item	Part No.	Name	Qty	L
1	595120701	Transport device kit	1	
Not Shown	-	Wheel bracket	1	
Not Shown	-	Nut, M10 x 1.5 mm A3K	2	
Not Shown	-	Screw, M10 x 40 mm 8.8 A3K	2	
Not Shown	-	Screw, M8 x 25 mm 8.8 A2K	2	
Not Shown	-	Bracket	1	
Not Shown	-	Wheel	2	
Not Shown	-	Clip	2	
Not Shown	-	Nut, M5 A2K	4	
Not Shown	-	Screw, M5 x 25 mm 8.8 A2K	4	
Not Shown	-	Washer, 8.4 x 25 x 2 mm, 0.33 x 0.98 x 0.08 in.	4	
Not Shown	-	Washer, 8.4 x 25 x 2 mm, 0.33 x 0.98 x 0.08 in.	2	
Not Shown	-	Screw, M8 x 12 mm 8.8 A2K	2	

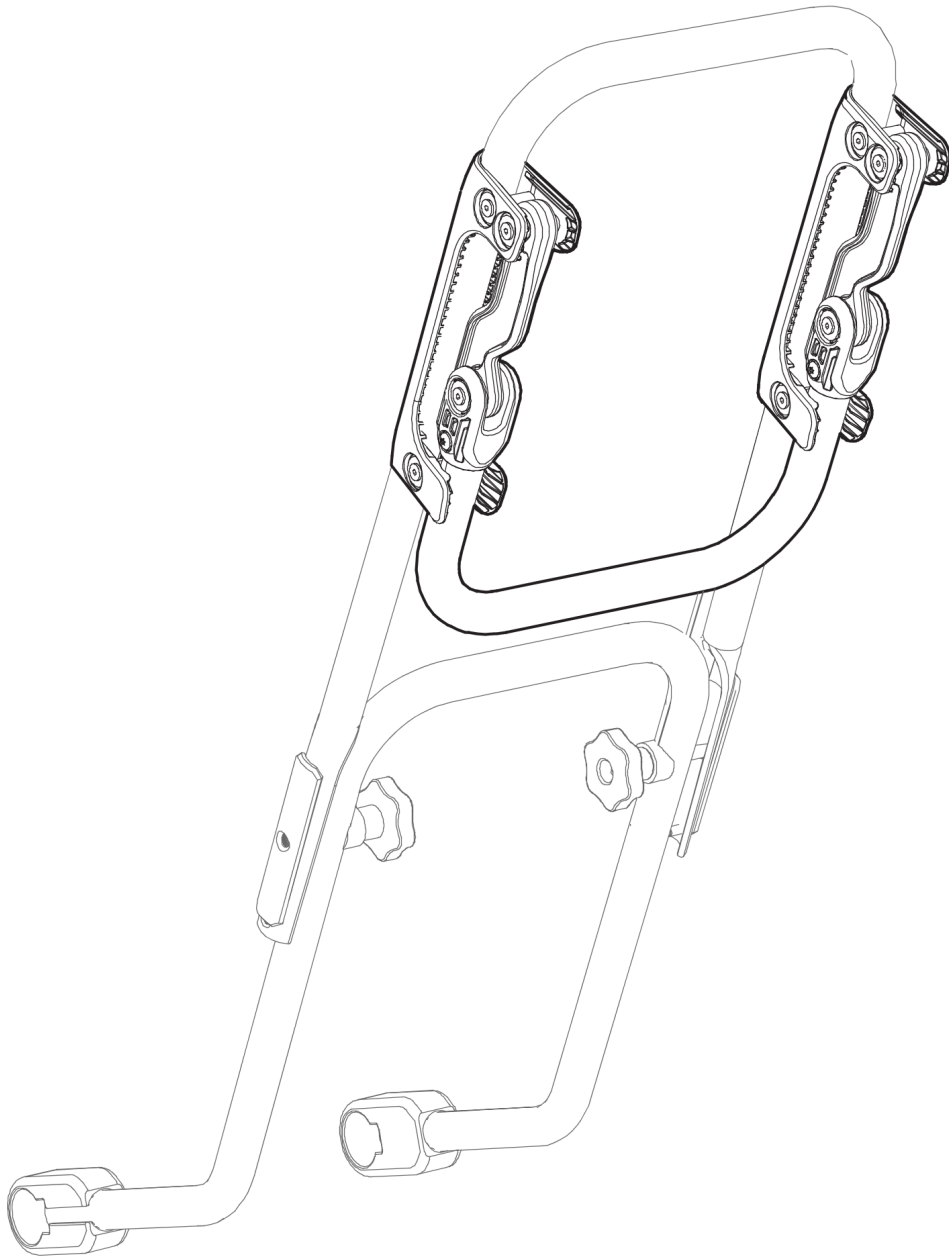
**Service, repair and wear part kits** Handle kit





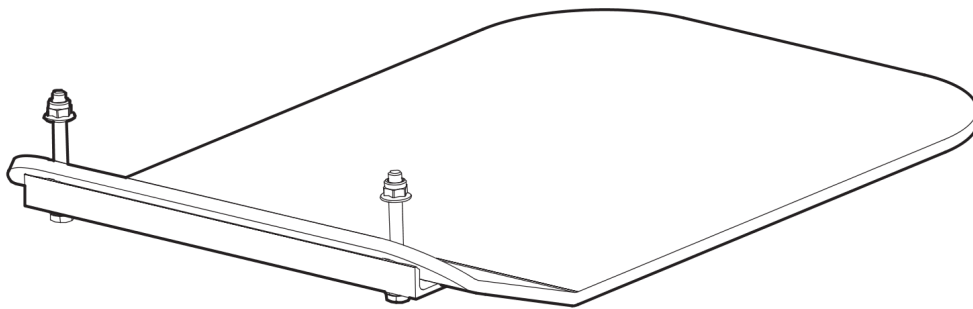
Item	Part No.	Name	Qty	L
1	594205201	Handle kit	1	
Not Shown	-	Handle, upper	1	
Not Shown	-	Handle, lower	1	
Not Shown	-	Bracket	2	
Not Shown	-	Knob	2	
Not Shown	-	Screw, M10 x 70 mm 8.8	2	
Not Shown	-	Washer, 35 x 11 x 2 mm, 1.38 x 0.43 x 0.08 in.	2	
Not Shown	-	Sleeve	2	
Not Shown	-	Shock absorber	2	
Not Shown	-	Sleeve	2	
Not Shown	-	Retainer ring	2	
Not Shown	-	Washer, 5.3 x 10 x 1, 0.21 x 0.39 x 0.04 in.	2	

**Service, repair and wear part kits** Vibration damped handle kit



Item	Part No.	Name	Qty	L
1	594205101	Vibration damped handle kit	1	
Not Shown	-	Handle	1	
Not Shown	-	Bracket	2	
Not Shown	-	Shock absorber	2	
Not Shown	-	Bracket	2	
Not Shown	-	Screw, M5 x 10 mm A2K	8	
Not Shown	-	Nut, M6 x 30 mm	8	
Not Shown	-	Screw, M6 x 12 mm 10.9 A2T	16	
Not Shown	-	Washer, 6.4 x 18 x 1.6 mm, 0.25 x 0.71 x 0.06 in. A2T	16	
Not Shown	-	Bracket	2	

**Service, repair and wear part kits** Block paving kit



Item	Part No.	Name	Qty	L
1	595367501	Block paving kit	1	
2	594123001	Flange lock nut	2	
3	595344501	Bolt	2	
3	595036601	Washer DIN125	2	
4	594181801	Bracket	1	
5	595127501	Polyurethane plate	1	

**Refurbishment kits** 595387801 GoldKit LF 60 LAT

<b>1</b>	<b>595387801</b>	<b>Gold Kit LF 60 LAT</b>	
	<b>Ground Plate and Eccentric System</b>		
<b>2</b>	Eccentric System	Eccentric Element Repair Kit	1
<b>3</b>		V-Belt Pulley	1
<b>4</b>		Screw	6
<b>5</b>		Lock Washer	6
<b>6</b>		Shock absorber repair kit	1
		<b>Cosmetic Kit</b>	
<b>7</b>	Covers	Belt guard, outer	1
<b>8</b>		Screw	3
<b>9</b>		Washer	3
<b>10</b>		Screw	1
<b>11</b>		Lock Spring	1
<b>12</b>		bolt	1
<b>13</b>		bolt	2
<b>14</b>		Nut	1
<b>15</b>	Handle System	Handle Kit	1
<b>16</b>	sprinkler	water tank, complete	1
<b>17</b>	Labeling	Product Label Kit	1
	<b>Engine</b>		
<b>18</b>	Service Kit	Yearly service kit	1

Item	Part No.	Name	Qty	L
1	595387801	Gold Kit LF 60 LAT	1	
-	--	Ground Plate and Eccentric System	1	
2	-	Eccentric Element Repair Kit	1	
3	-	V-Belt Pulley	1	
4	-	Screw	6	
5	-	Lock Washer	6	
6	-	Shock absorber repair kit	1	
-	--	Cosmetic Kit	1	
7	-	Belt guard, outer	1	
8	-	Bolt	3	
9	-	Washer	3	
10	-	Screw	1	
11	-	Lock Spring	1	
12	-	Bolt	1	
13	-	Bolt	2	
14	-	Nut	1	
15	-	Handle Kit	1	
16	-	Water tank, complete	1	
17	-	Product Label Kit	1	
-	--	Engine and Transmission	1	
18	-	Yearly Service Kit	1	

**Refurbishment kits** 595387501 SilverKit LF 60 LAT

1	595387501	<b>Silver Kit LF 60 LAT</b>	
		<b>Ground Plate and Eccentric System</b>	
2	Eccentric System	Eccentric Element Repair Kit	1
3		V-Belt Pulley	1
4		Screw	6
5		Lock Washer	6
6		Shock absorber repair kit	1
	-	<b>Engine</b>	
7	Service Kit	Yearly service kit	1



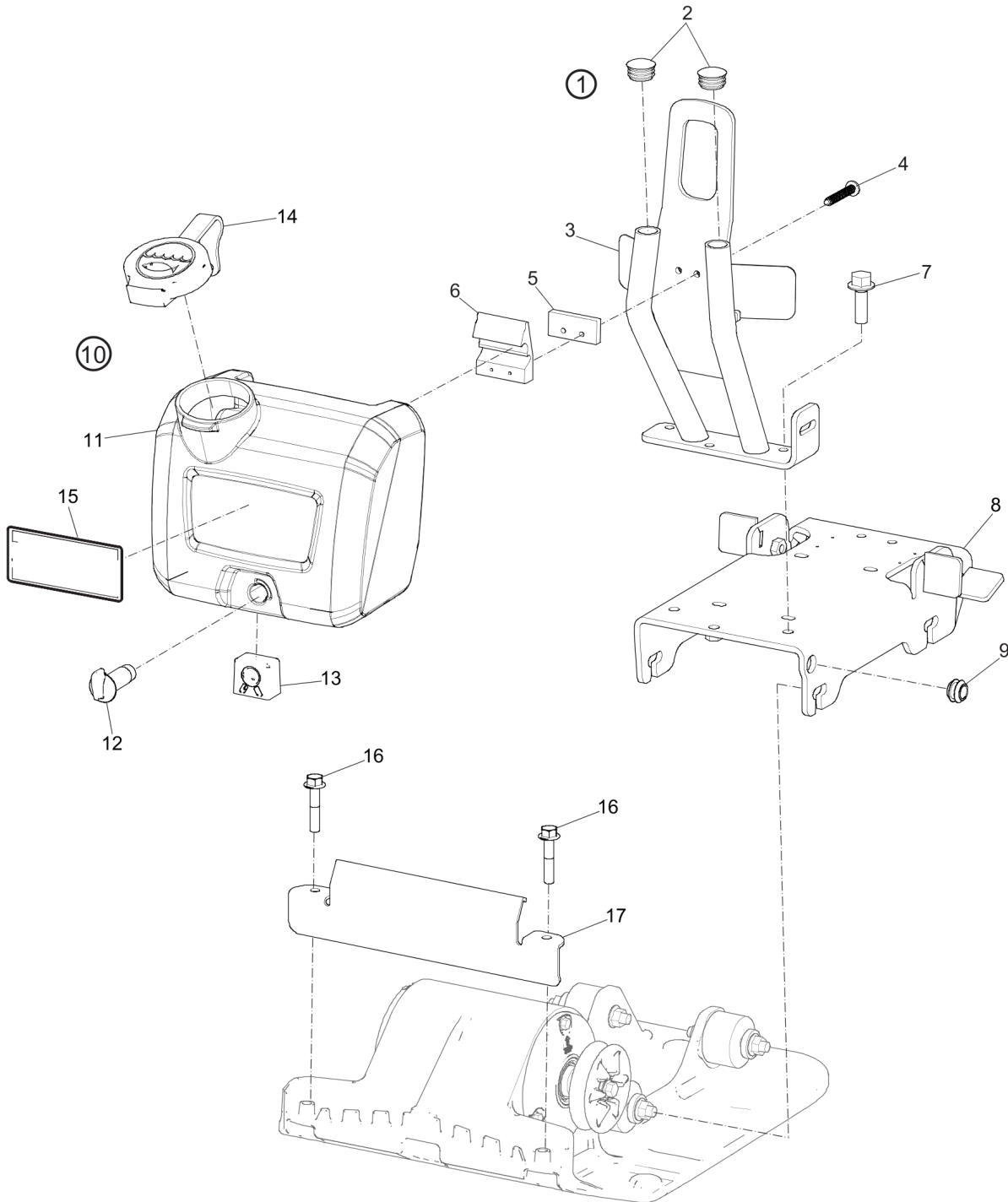
Item	Part No.	Name	Qty	L
1	595387501	Silver Kit	1	
-	--	Ground Plate and Eccentric System	1	
2	-	Eccentric Element Repair Kit	1	
3	-	V-Belt Pulley	1	
4	-	Screw	6	
5	-	Lock Washer	6	
6	-	Shock absorber repair kit	1	
-	--	Engine and Transmission	1	
7	-	Yearly Service Kit	1	

**Refurbishment kits** 595386101 Cosmetickit\_LF 60 LAT

1	595386101	<b>Cosmetic Kit</b>	1
2	Covers	Belt guard, outer	1
3		Screw	3
4		Washer	3
5		Screw	1
6		Lock spring	1
7		Screw	1
8		Screw,	2
9		Nut,	1
10		Handle System	Handle kit
11	sprinkler	water tank, complete	1
12	Labeling	Product Label Kit	1

Item	Part No.	Name	Qty	L
1	595386101	Cosmetic Kit	1	
2	-	Belt guard, outer	1	
3	-	Bolt	3	
4	-	Washer	3	
5	-	Screw	1	
6	-	Lock Spring	1	
7	-	Bolt	1	
8	-	Bolt	2	
9	-	Nut	1	
10	-	Handle Kit	1	
11	-	Water tank, complete	1	
12	-	Product Label Kit	1	

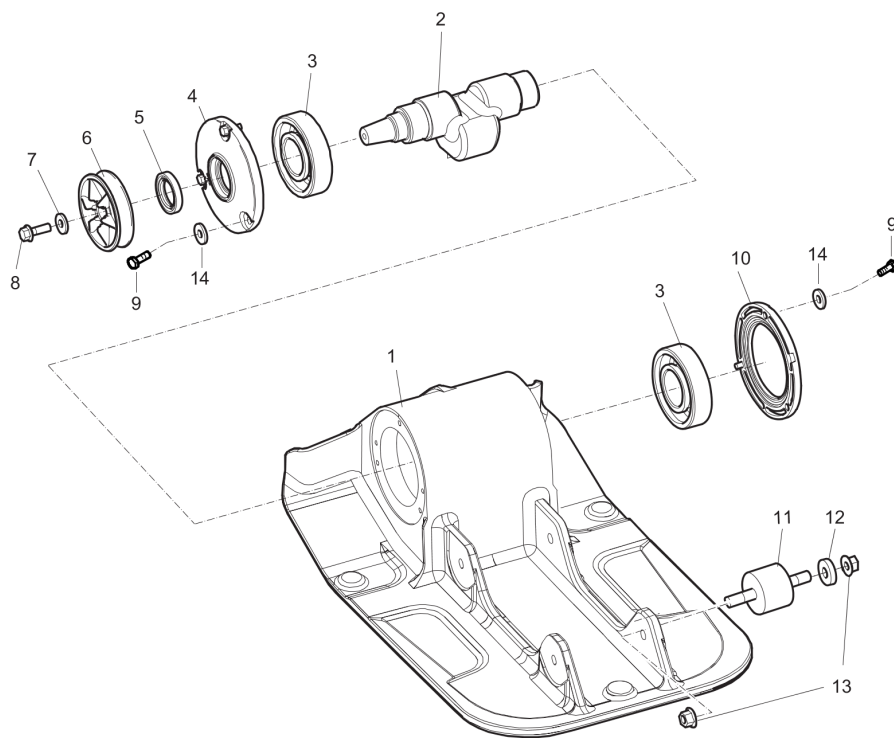
**Spare parts list** Lifting eye, engine plate and sprinker system



Refer to the Parts Online web page for most up-to-date information. The printed information might be outdated.

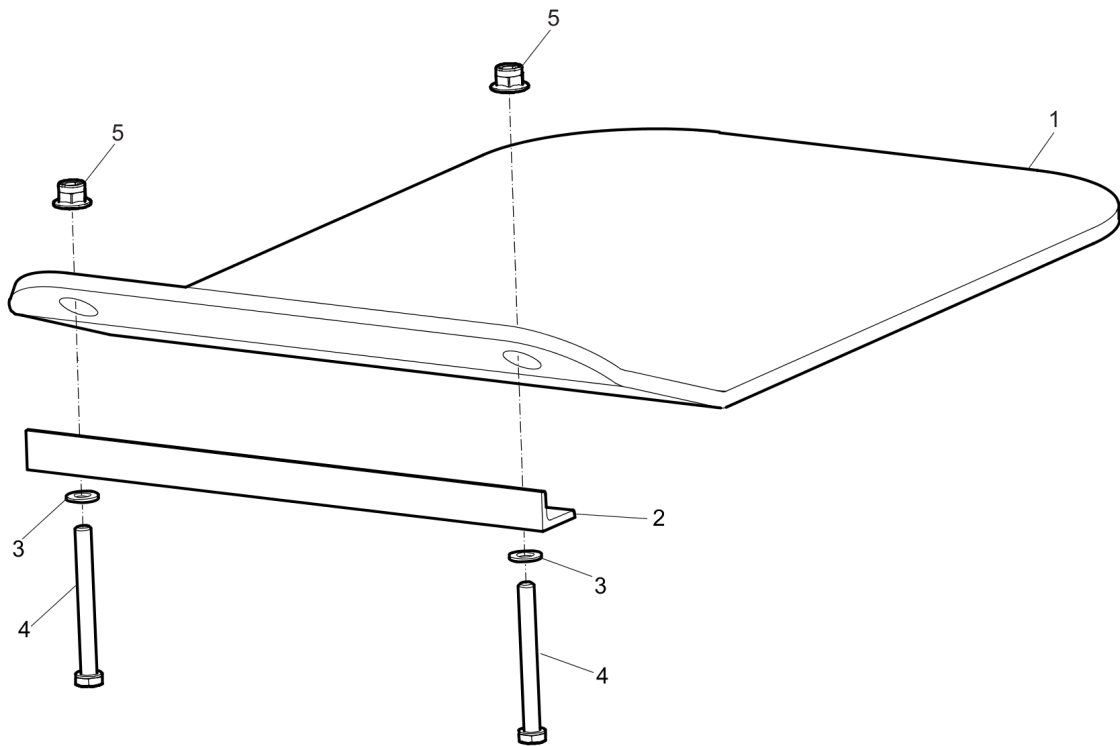
Item	Part No.	Name	Qty	L
1	594212501	Lifting eye, complete	1	
2	594757601	Plug	1	
3	594184101	Lifting eye	1	
4	595350601	Tapping screw	2	
5	594185301	Plate	1	
6	594433801	Clip	1	
7	595185701	Screw, M8x25mm 8.8 A2K	3	
8	595119701	Engine plate	1	
9	595119601	Grommet	1	
10	594212601	Water tank, complete	1	
11	-	Water Tank	1	
12	-	Water Valve	1	
13	-	Water nozzle	1	
14	594757501	Cap	1	
15	594143801	Product label	1	
16	594120101	Screw	2	
17	594178501	Sprinkler plate	1	

**Spare parts list** Ground plate installation



Item	Part No.	Name	Qty	L
1	594183301	Ground plate	1	
2	594480801	Eccentric shaft	1	
3	594526001	Ball bearing	2	
4	594490101	Cover	1	
5	594128301	Lip-type oil seal	1	
6	594486701	V-belt pulley	1	
7	594123401	Washer, 8.4 x 16 x 1.5 mm, 0.33 x 0.63 x 0.06 in. 300 HV	1	
8	594120001	Screw, M8 x 25 mm 8.8 A2K	1	
9	595345801	Screw, M6 x 16 mm 8.8 A2K	6	
10	594490201	Cover	1	
11	594525901	Shock absorber	4	
12	-	Washer, 10.5 x 28 x 6 mm, 0.41 x 1.10 x 0.24 in.	4	
13	595181201	Nut, M10 x 1.5 mm GEOMET®	8	
14	595356301	Washer	6	

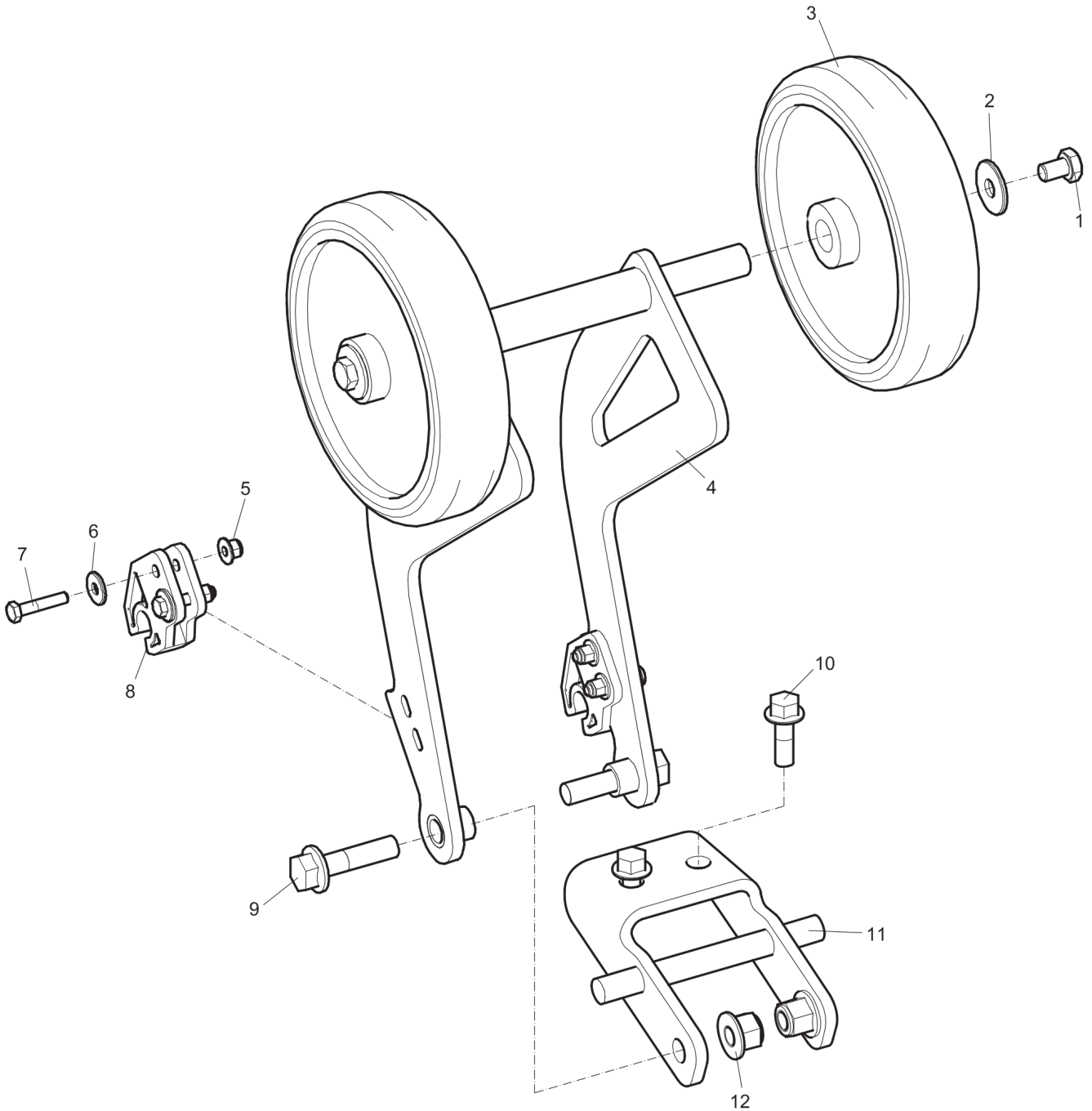
**Spare parts list** Block paving plate





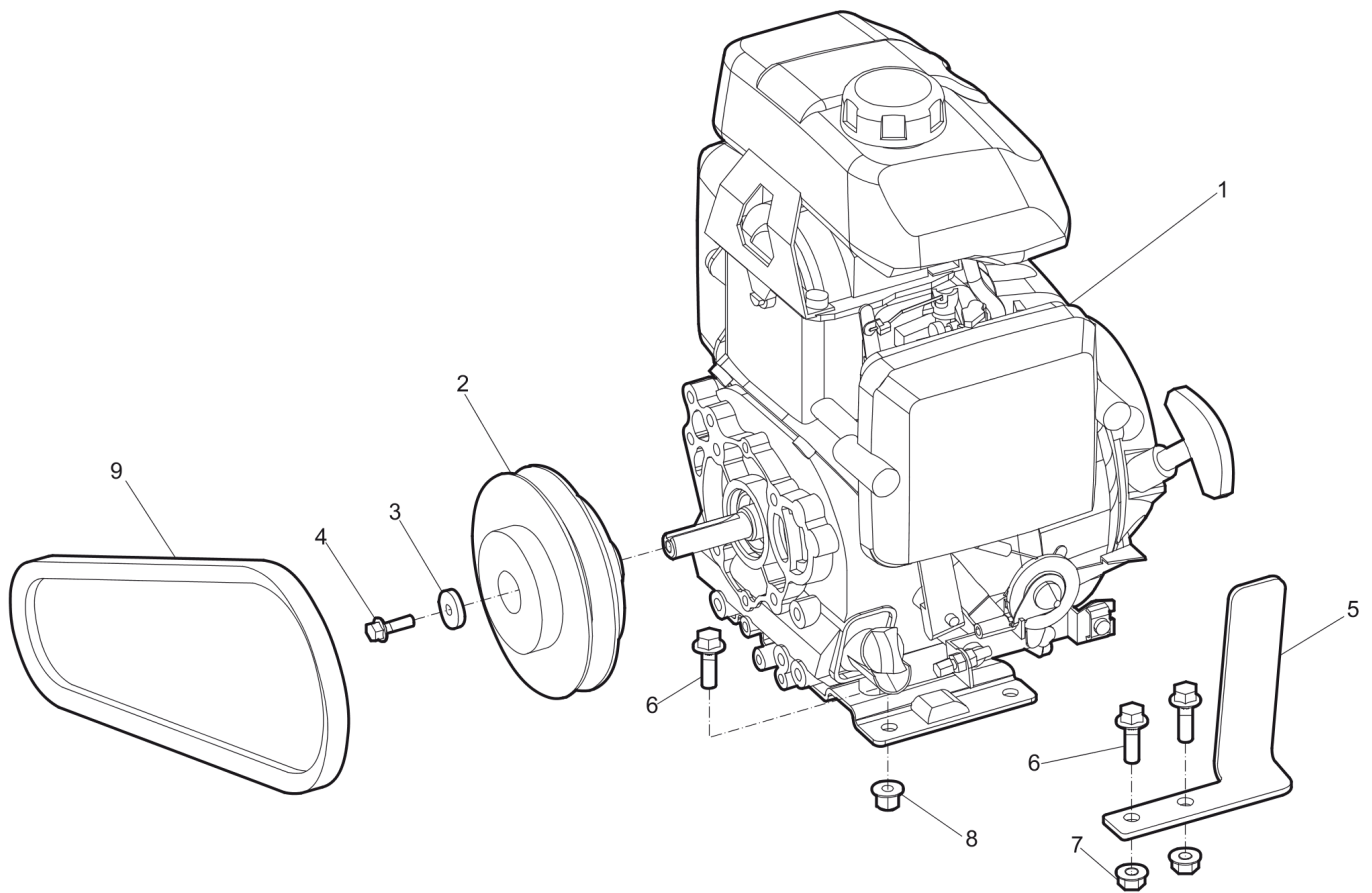
Item	Part No.	Name	Qty	L
1	595127501	Polyurethane plate	1	
2	594181801	Bracket	1	
3	595036601	Washer DIN125	2	
4	595344501	Bolt	2	
5	594123001	Flange lock nut	2	

Spare parts list Transport device



Item	Part No.	Name	Qty	L
1	-	Screw, M8 x 12 mm 8.8 A2K	2	
2	-	Washer, 8.4 x 25 x 2 mm, 0.33 x 0.98 x 0.08 in.	2	
3	594455501	Wheel	2	
4	595121001	Bracket	1	
5	595064401	Nut M5	4	
6	-	Washer, 8.4 x 25 x 2 mm, 0.33 x 0.98 x 0.08 in.	4	
7	-	Screw, M5 x 25 mm 8.8 A2K	4	
8	-	Clip	2	
9	-	Screw with flange, M10 x 40 mm 8.8 A3K	2	
10	-	Screw, M8 x 25 mm 8.8 A2K	2	
11	595120901	Bracket	1	
12	-	Nut, M10 x 1.5 mm A3K	2	

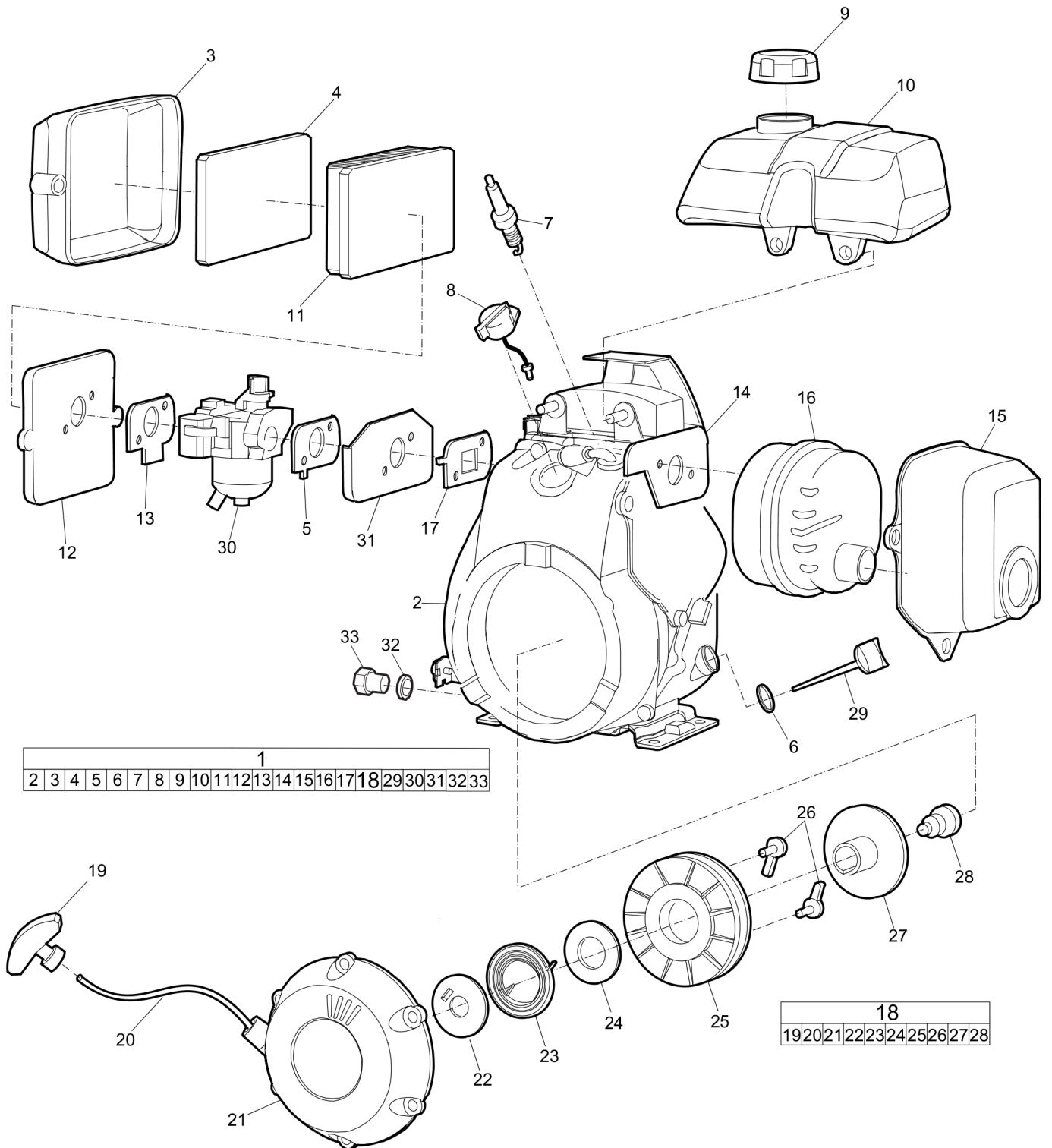
Spare parts list Engine installation, Honda



Refer to the Parts Online web page for most up-to-date information. The printed information might be outdated.

Item	Part No.	Name	Qty	L
1	594473001	Engine, complete Honda GX100UT SE3 SD	1	
2	594481001	Centrifugal clutch, cpl	1	
3	-	Washer, 6.4 x 22 x 4 mm, 0.25 x 0.87 x 0.16 in.	1	
4	-	Screw, M6 x 20 mm 8.8 A2K	1	
5	595177501	Protective plate	1	
6	-	Screw, M8 x 25 mm 8.8 A2K	6	
7	-	Nut, M8 x 1.25 mm A2K	2	
8	-	Lock nut, M8 x 1.25 mm A2K	4	
9	594186901	V-belt	1	

Spare parts list Engine, Honda GX 100 SE3 OH

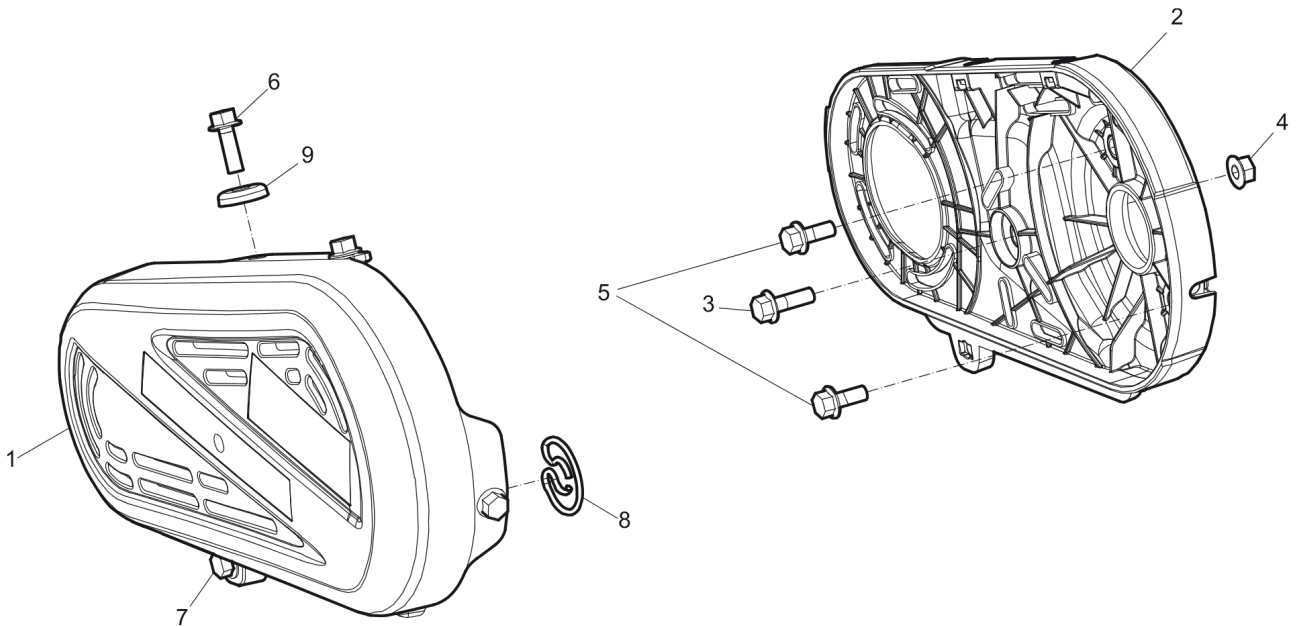


Refer to the Parts Online web page for most up-to-date information. The printed information might be outdated.

Item	Part No.	Name	Qty	L
1	594473001	Engine, complete Honda GX100UT SE3 SD	1	
2	--	Engine	1	
3	594585901	Cover	1	
4	594585001	Air filter, outer	1	
5	594582801	Gasket	1	
6	594583301	Packing, oil filler cap	1	
7	594585101	Spark plug	1	
8	594600801	Insulator, carburetor	1	
9	594596401	Fuel cap	1	
10	594596301	Fuel tank	1	
11	594584901	Air filter element	1	
12	594599701	Air filter house	1	
13	594603701	Gasket	1	
14	595471601	Gasket	1	
15	594202101	Cover	1	
16	594849301	Muffler	1	
17	594606801	Gasket	1	
18	594202201	Recoil starter (black), complete	1	
19	594585801	Grip	1	
20	594596501	Rope	1	
21	594760901	Case comp., recoil starter *nh1*	1	
22	595380401	Plate	1	
23	594303901	Spring	1	
24	595380501	Washer	1	
25	594202301	Reel, recoil starter	1	
26	594583501	Ratchet	2	
27	595192201	Guide	1	
28	594304501	Screw	1	
29	594586101	Cap assy., oil filler	1	
30	594596201	Carburettor	1	
31	594599401	Insulator	1	
32	595048901	Oil plug gasket	1	
33	594303901	Spring	1	

Refer to the Parts Online web page for most up-to-date information. The printed information might be outdated.

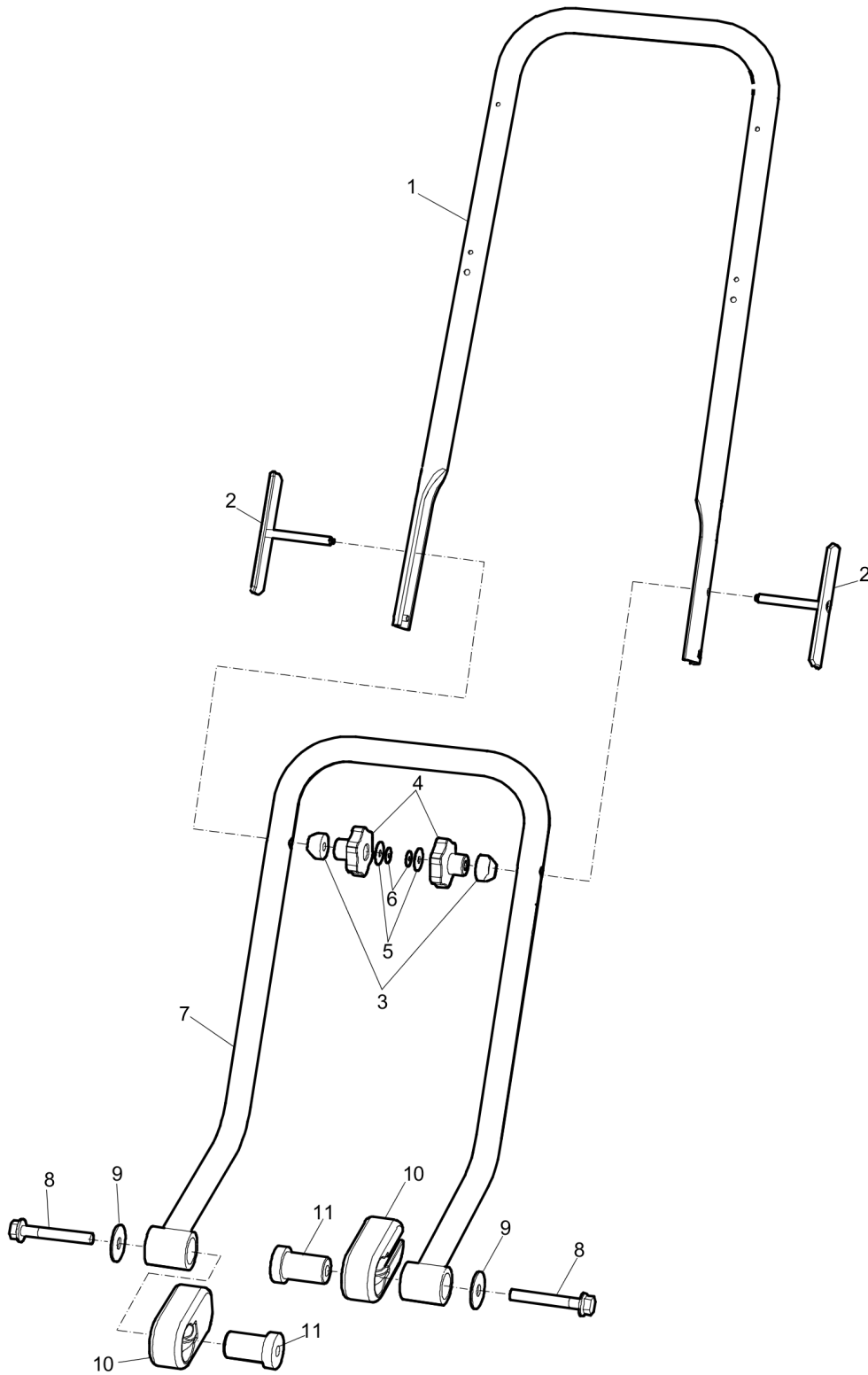
**Spare parts list** Transmission cover, Honda





Item	Part No.	Name	Qty	L
1	594960601	Belt guard, outer	1	
2	594484301	Blet guard, inner	1	
3	-	Screw, M8 x 25 mm 8.8 A2K	1	
4	-	Nut, M8 x 1.25 mm A2K	1	
5	-	Screw, M8 x 20 mm 8.8 A2K	2	
6	-	Screw, M8 x 30 mm 8.8 A2K	3	
7	594648001	Screw, M8 x 25 mm 8.8 A2K	1	
8	594650201	Lock spring	1	
9	594647801	Washer	3	

Spare parts list Standard handle, new version



Refer to the Parts Online web page for most up-to-date information. The printed information might be outdated.

Item	Part No.	Name	Qty	L
1	594168801	Handle	1	A
2	594654401	Bracket	2	
3	594654201	Sleeve	2	
4	594654301	Knob	2	
5	-	Washer, 5.3 x 10 x 1, 0.21 x 0.39 x 0.04 in.	2	
6	-	Retainer ring, 4.8 x 7 x 0.6 mm, 0.18 x 0.26 x 0.02 in.	2	
7	594168901	Handle	1	B
8	-	Screw, M10 x 70 mm 8.8	2	
9	-	Washer, 35 x 11 x 2 mm, 1.38 x 0.43 x 0.08 in.	2	
10	594480401	Shock absorber	2	
11	594481201	Sleeve bearing	2	

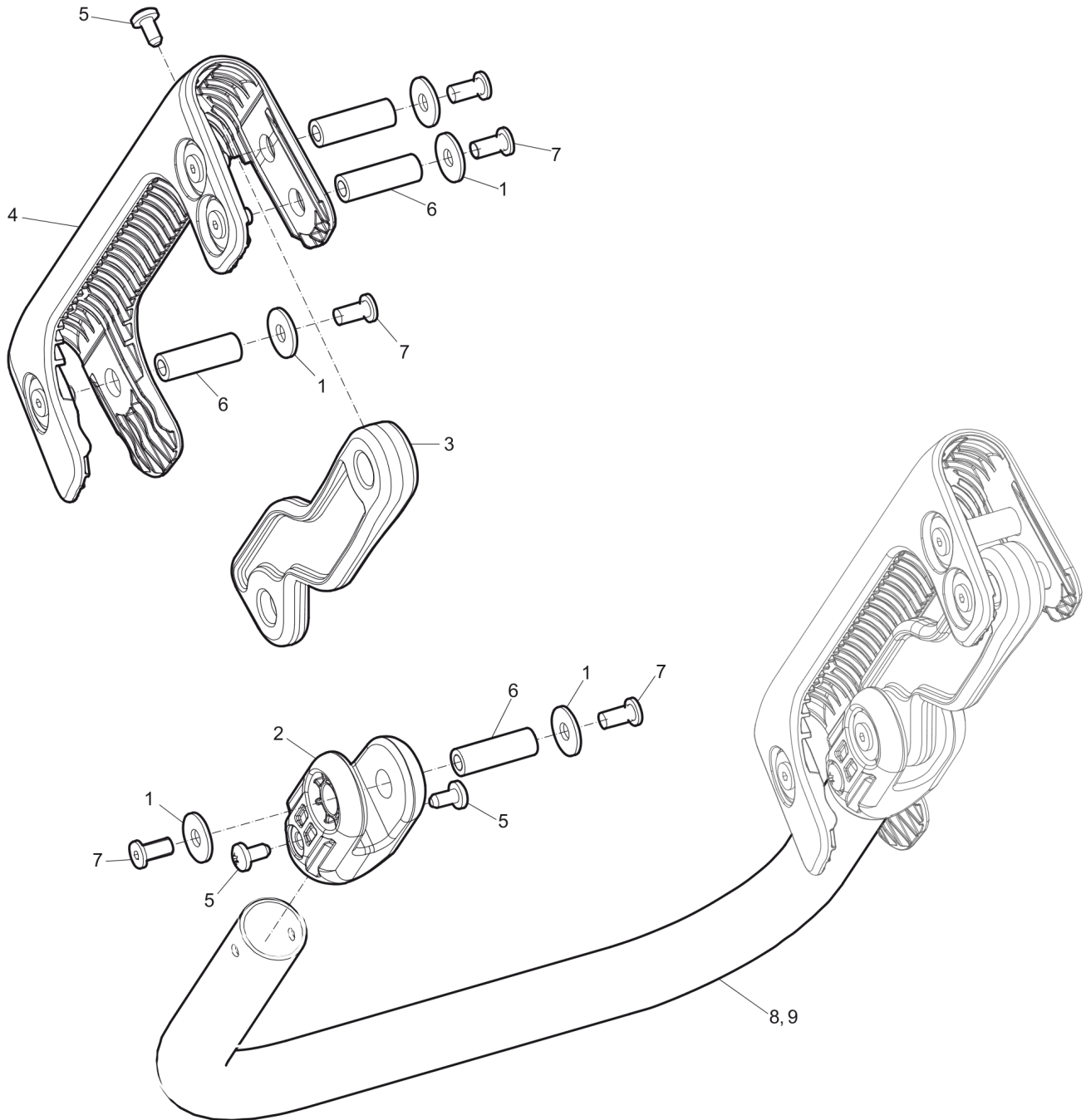
Comments for Page: Standard handle, new version

(L)OCAL REMARKS

A | Upper part

B | Lower part

Spare parts list Vibration damped handle



Refer to the Parts Online web page for most up-to-date information. The printed information might be outdated.

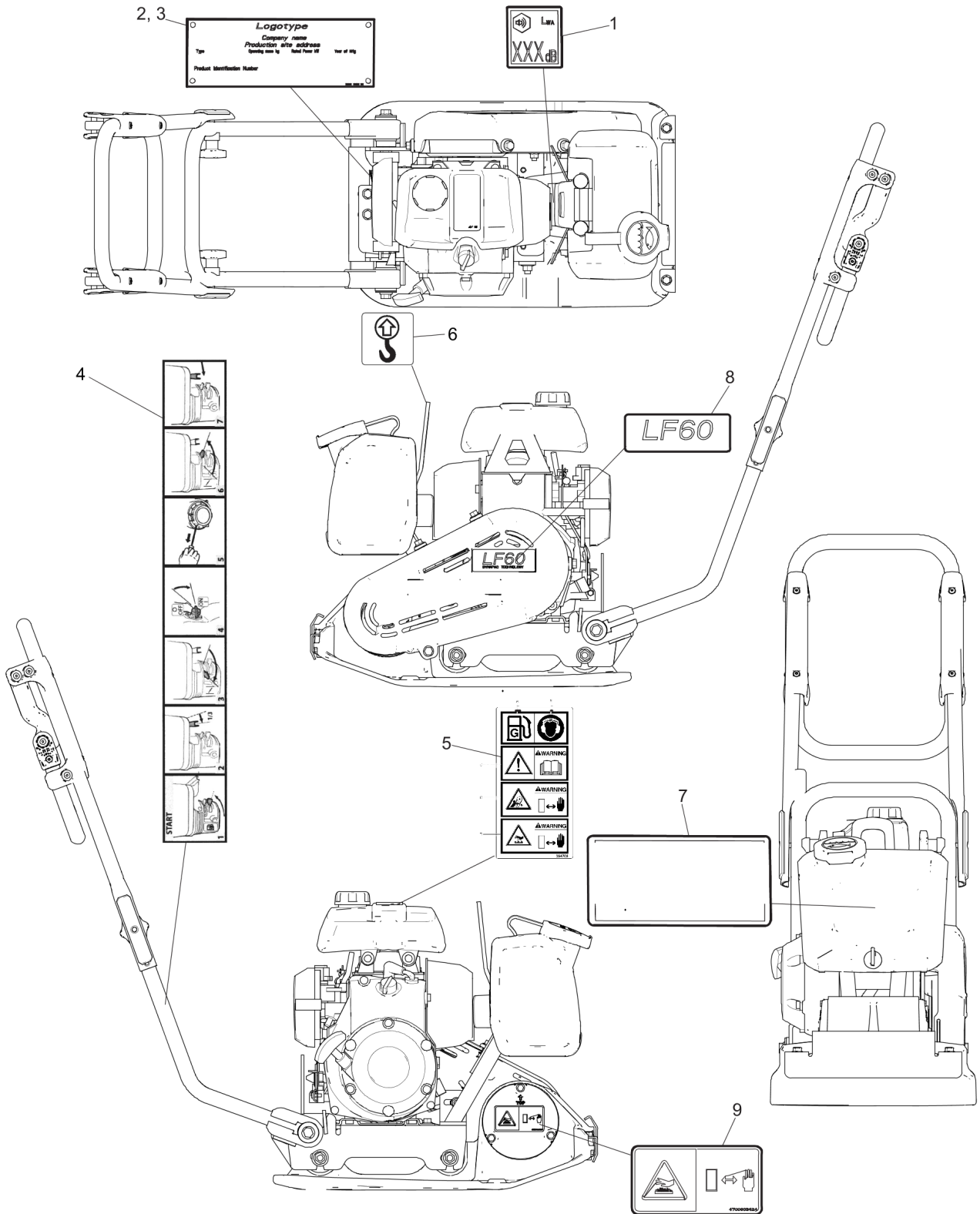
Item	Part No.	Name	Qty	L
1	-	Washer, 6.4 x 18 x 1.6 mm A2T, 0.25 x 0.71 x 0.06 in. A2T	16	
2	594482201	Bracket	2	
3	594480501	Shock absorber	2	
4	594482101	Bracket	2	
5	-	Screw, M5 x 10 mm A2K	8	
6	-	Jointing nut, M6 x 30 mm 8.8	8	
7	-	Screw, M6 x 12 mm 10.9 A2T	16	
8	594481301	Handle	1	
9	595363901	Handle	1	A

Comments for Page: Vibration damped handle

(L)OCAL REMARKS

A | New version, use together with new standard handle.

Spare parts list Labels



Refer to the Parts Online web page for most up-to-date information. The printed information might be outdated.

Item	Part No.	Name	Qty	L
1	-	Sound power label	1	
2	-	Data plate (Not available separately)	1	
3	-	Drive screw	4	
4	595119501	Label, start instruction	1	
5	594486301	Instruction label	1	
6	595051201	Label lifting point	1	
7	594143801	Product label	1	
8	595120001	Product label	1	
9	595186101	Safety label, hot surfaces	1	

Any unauthorized use or copying of the contents or any part thereof is prohibited.  
This applies in particular to trademarks, model denominations, part numbers, and  
drawings.