



# SPARE PARTS LIST

POWER CUTTERS

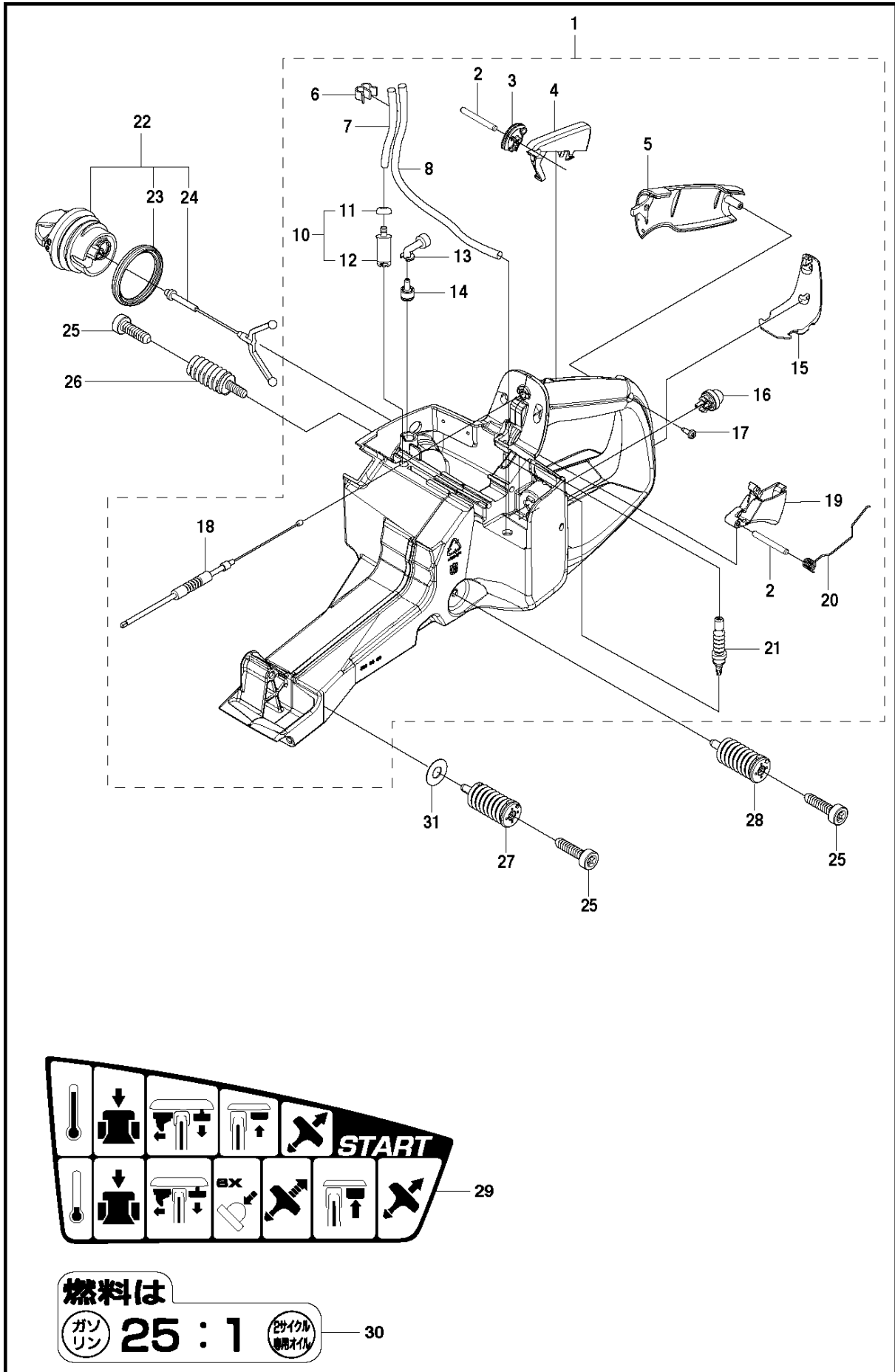
K970 III, 2016-07



## GUARDS

K970 III, 2016-07

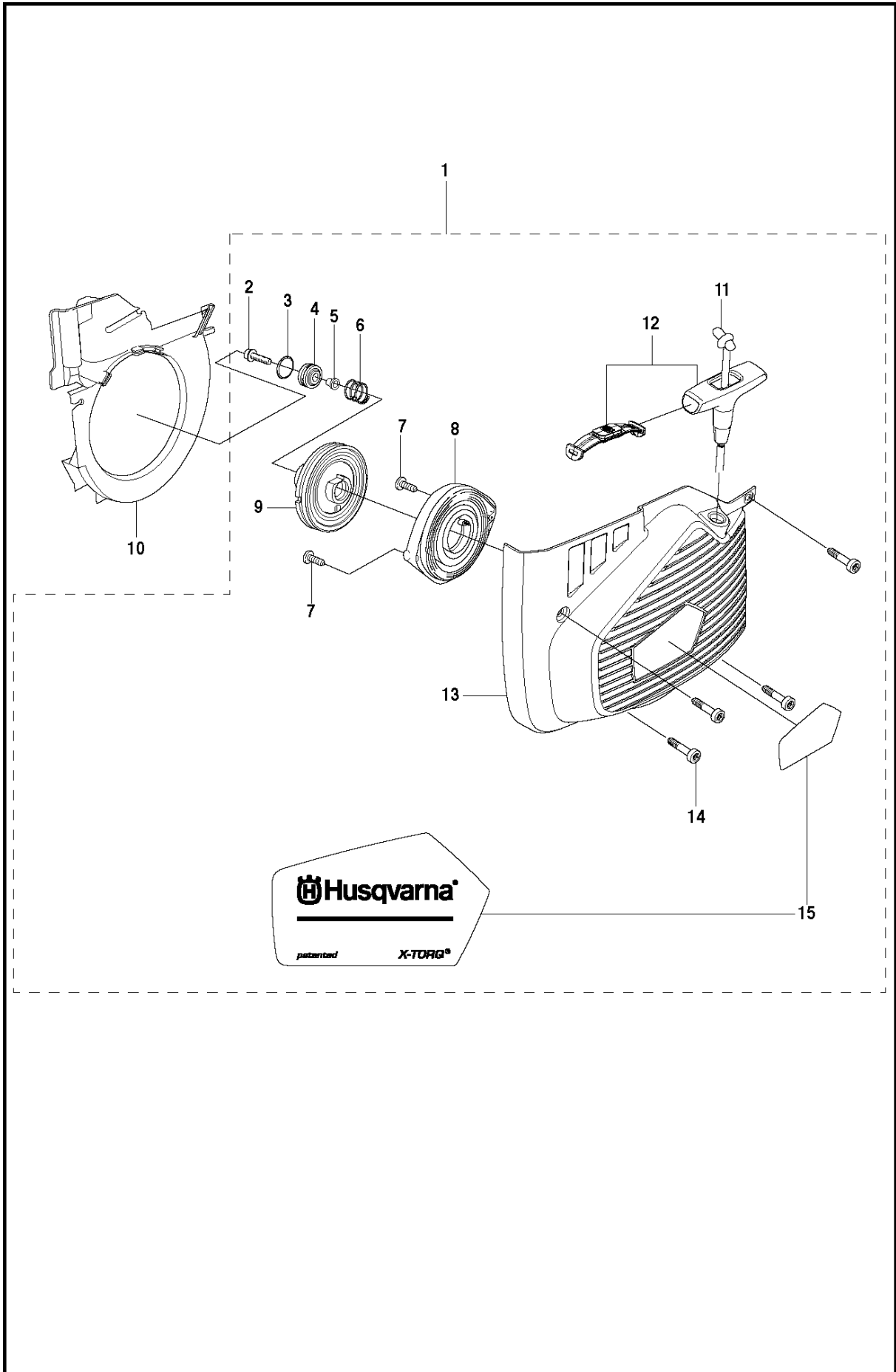
| Ref | Part No      | Description    | Remark                          | QTY | KIT |
|-----|--------------|----------------|---------------------------------|-----|-----|
| 1   | 581 35 19-07 | WHEEL GUARD    | "14""                           | 1   |     |
| 1   | 581 35 19-06 | WHEEL GUARD    | "16""                           | 1   |     |
| 2   | 504 90 94-14 | SCREW ITXSCT   |                                 | 2   | 1   |
| 3   | 578 19 09-01 | HANDLE HALF    |                                 | 1   | 1   |
| 4   | 578 76 09-01 | HANDLE HALF    |                                 | 1   | 1   |
| 5   | 504 90 94-10 | SCREW ITXSCT   |                                 | 1   | 1   |
| 6   | 581 62 03-01 | STOP           |                                 | 1   | 1   |
| 7   | 584 43 77-01 | DISC           |                                 | 1   |     |
| 8   | 584 43 83-01 | SUPPORT FLANGE |                                 | 1   |     |
| 9   | 583 87 44-02 | FLANGE         | Diam 105mm                      | 1   |     |
| 9   | 506 07 09-02 | FLANGE WASHER  | "Diam 119mm, Japan<br>14""/16"" | 1   |     |
| 10  | 578 39 82-01 | BUSHING        | Diam 20/25,4mm                  | 1   |     |
| 10  | 581 60 54-03 | BUSHING        | Diam 30,5mm                     | 1   |     |
| 10  | 506 37 96-22 | KIT            | Diam 22,2mm                     | 1   |     |
| 11  | 588 65 57-01 | SCREW          |                                 | 1   |     |
| 12  | 544 21 84-30 | SCREW ITXSCT   |                                 | 4   |     |
| 13  | 584 43 82-01 | SLEEVE         | "14"", Shiny"                   | 4   |     |
| 13  | 584 43 82-02 | SLEEVE         | "16"", Black"                   | 4   |     |
| 14  | 584 43 81-01 | SPRING         |                                 | 4   |     |
| 15  | 584 43 78-01 | SHIM           |                                 | 2   |     |
| 16  | 584 43 79-01 | LINING         |                                 | 1   | 1   |
| 17  | 584 43 80-01 | LINING         |                                 | 1   | 1   |
| 18  | 581 11 77-06 | DECAL          | "14""                           | 1   |     |
| 18  | 581 11 77-07 | DECAL          | "16""                           | 1   |     |
| 19  | 584 99 26-02 | DECAL          | "14""                           | 1   |     |
| 19  | 584 99 26-03 | DECAL          | "16""                           | 1   |     |
| 20  | 582 23 31-01 | WASHER         |                                 | 1   |     |
| 21  | 582 23 32-01 | WASHER         |                                 | 1   |     |



## FUEL TANK

K970 III, 2016-07

| Ref | Part No      | Description           | Remark | QTY | KIT |
|-----|--------------|-----------------------|--------|-----|-----|
| 1   | 574 50 58-04 | FUEL TANK ASSY        |        | 1   |     |
| 2   | 720 12 40-20 | PARALLEL PIN          |        | 2   | 1   |
| 3   | 537 20 85-01 | LEVER                 |        | 1   | 1   |
| 4   | 510 25 52-01 | THROTTLE LOCKOUT      |        | 1   | 1   |
| 5   | 537 20 56-01 | COVER                 |        | 1   | 1   |
| 6   | 574 44 42-01 | CLIP                  |        | 1   | 1   |
| 7   | 581 75 62-02 | FUEL HOSE             |        | 1   | 1   |
| 8   | 537 04 24-18 | FUEL HOSE             |        | 1   | 1   |
| 10  | 506 26 41-11 | FUEL FILTER           |        | 1   | 1   |
| 11  | 506 27 11-01 | HOSE CLAMP            |        | 1   | 1   |
| 12  | 506 26 41-01 | FUEL FILTER           |        | 1   | 1   |
| 13  | 576 90 04-01 | TANK VENT ASSY        |        | 1   | 1   |
| 14  | 537 35 95-01 | TANK VENT ASSY        |        | 1   | 1   |
| 15  | 502 47 16-01 | GROUND SUPPORT        |        | 1   | 1   |
| 16  | 540 05 49-01 | PURGE                 |        | 1   | 1   |
| 17  | 525 88 74-02 | SCREW CITXPANT        |        | 1   | 1   |
| 18  | 576 49 04-01 | THROTTLE CABLE ASSY   |        | 1   | 1   |
| 19  | 502 47 18-01 | THROTTLE CONTROL      |        | 1   | 1   |
| 20  | 537 20 98-01 | SPRING                |        | 1   | 1   |
| 21  | 576 13 99-01 | FUEL HOSE             |        | 1   | 1   |
| 22  | 522 62 00-01 | TANK CAP ASSY         |        | 1   |     |
| 23  | 589 24 11-01 | GASKET                |        | 1   |     |
| 24  | 503 57 89-01 | HOLDER                |        | 1   |     |
| 25  | 544 06 12-01 | SCREW ITXSCM          |        | 3   |     |
| 26  | 537 21 03-09 | ANTIVIBRATION ELEMENT |        | 1   |     |
| 27  | 537 21 03-10 | ANTIVIBRATION ELEMENT |        | 1   |     |
| 28  | 537 21 03-05 | ANTIVIBRATION ELEMENT |        | 1   |     |
| 29  | 525 57 20-02 | DECAL                 |        | 1   |     |
| 30  | 506 31 30-01 | LABEL                 |        | 1   |     |
| 31  | 503 23 00-80 | WASHER                |        | 1   |     |

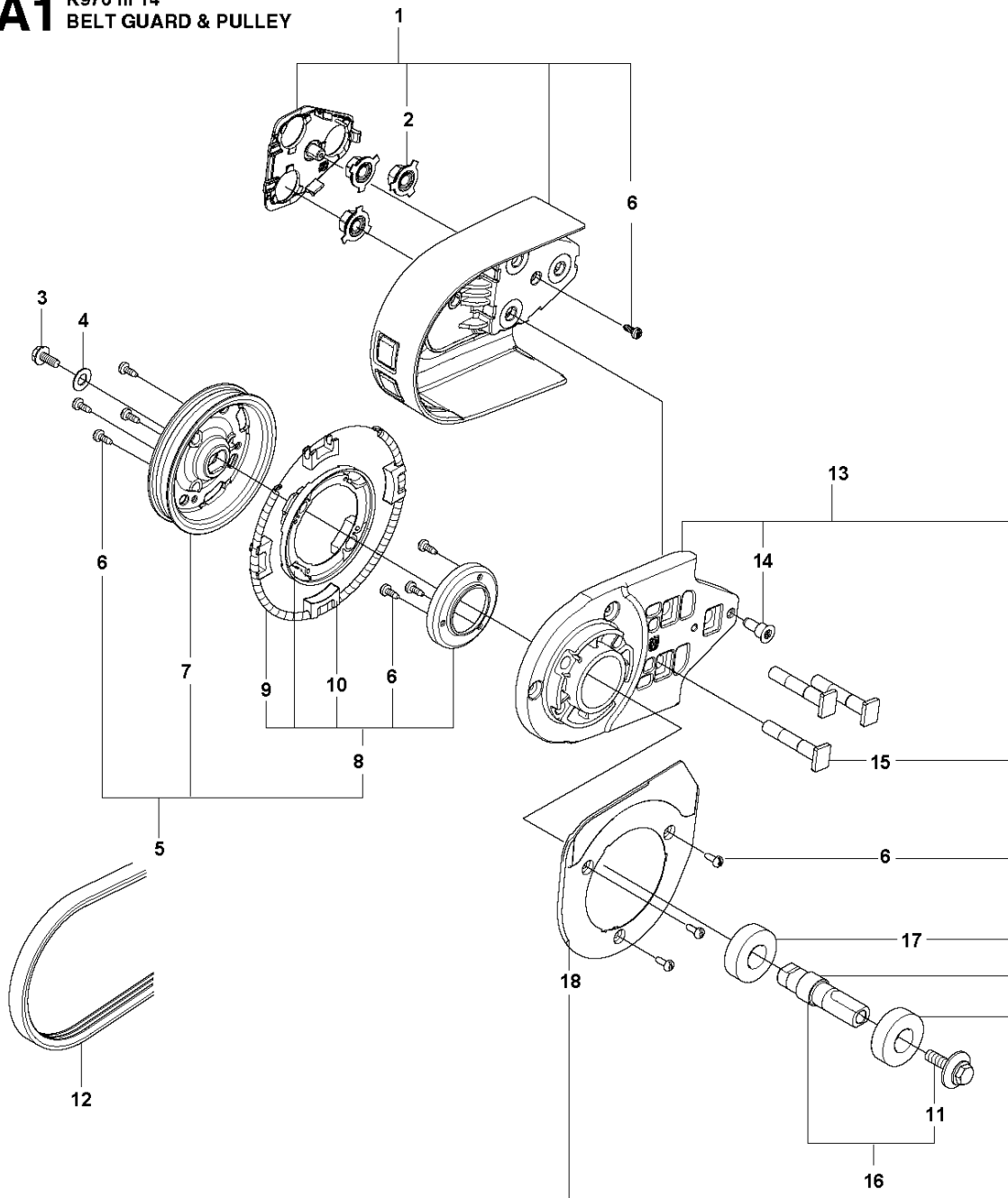


## STARTER

K970 III, 2016-07

| Ref | Part No      | Description         | Remark   | QTY | KIT |
|-----|--------------|---------------------|----------|-----|-----|
| 1   | 574 50 73-13 | STARTER ASSY        |          | 1   |     |
| 2   | 503 21 07-22 | SCREW IH SCT        |          | 1   | 1   |
| 3   | 740 43 13-00 | O-RING              |          | 1   | 1   |
| 4   | 506 25 14-01 | GROMMET             |          | 1   | 1   |
| 5   | 506 26 31-01 | SPACING SLEEVE      |          | 1   | 1   |
| 6   | 506 25 30-01 | COMPRESSION SPRING  |          | 1   | 1   |
| 7   | 525 88 74-02 | SCREW CITXPANT      |          | 2   | 1   |
| 8   | 596 29 31-01 | RECOIL SPRING       |          | 1   | 1   |
| 9   | 588 15 58-01 | STARTER PULLEY      |          | 1   | 1   |
| 10  | 544 28 75-02 | AIR CONDUCTOR       |          | 1   |     |
| 11  | 506 33 56-15 | CORD                |          | 1   | 1   |
| 11  | 506 33 56-50 | STARTER CORD        | Coil 50m | 1   | 1   |
| 12  | 584 25 79-01 | STARTER HANDLE ASSY |          | 1   | 1   |
| 13  | 505 34 94-02 | STARTER COVER       |          | 1   | 1   |
| 14  | 501 98 10-20 | SCREW ITXSCM        |          | 4   | 1   |
| 15  | 525 57 11-01 | DECAL               |          | 1   | 1   |

**A1** K970 III 14"  
BELT GUARD & PULLEY



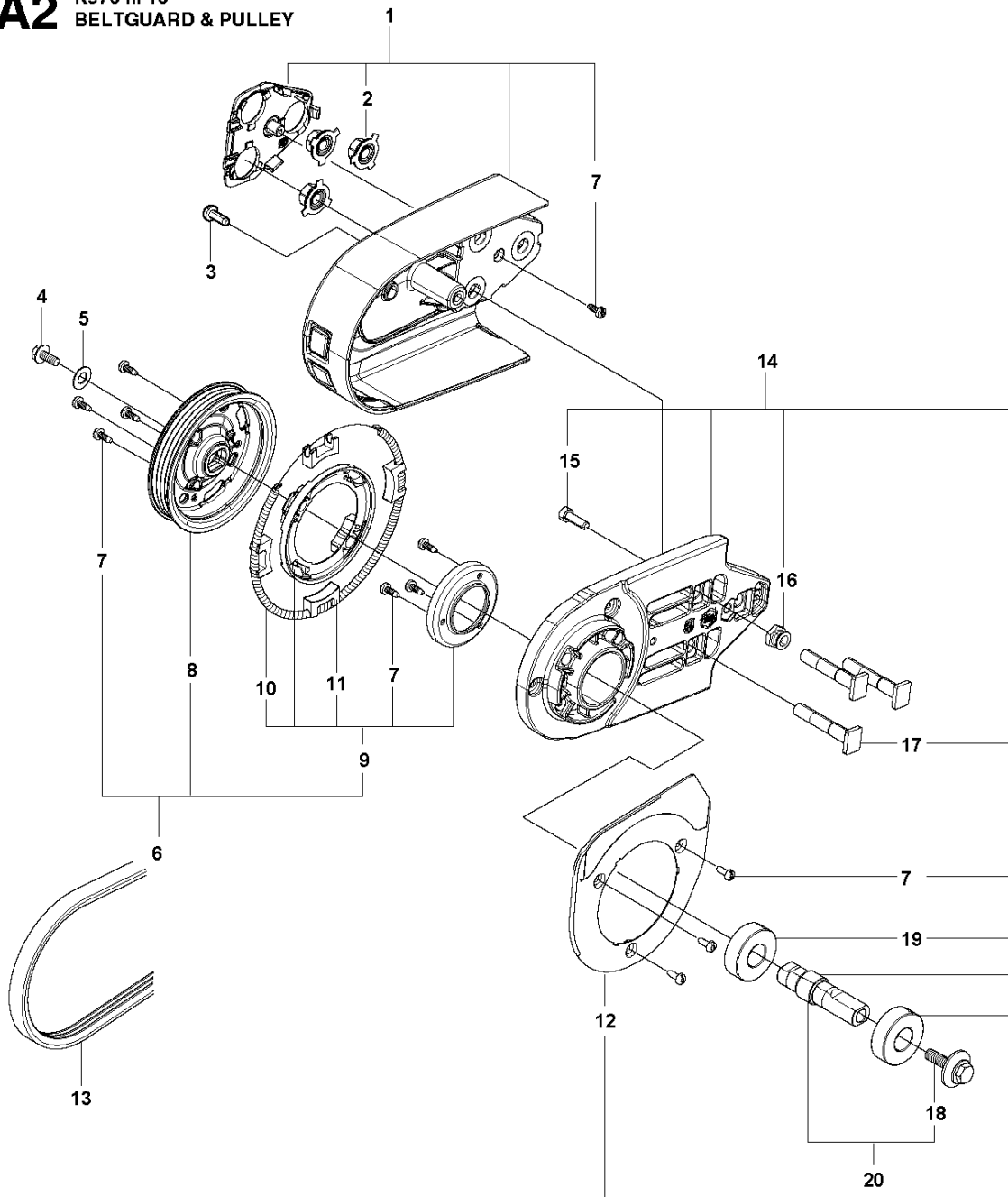


## BELT GUARD &amp; PULLEY

K970 III, 2016-07

| Ref | Part No      | Description          | Remark | QTY | KIT    |
|-----|--------------|----------------------|--------|-----|--------|
| 1   | 501 05 71-03 | BELT GUARD           | "14""  | 1   |        |
| 2   | 586 74 37-01 | NUT WASHER           |        | 3   | 1      |
| 3   | 503 20 00-45 | SCREW EHHFM          |        | 1   |        |
| 4   | 503 23 01-16 | WASHER               |        | 1   |        |
| 5   | 586 30 70-02 | PULLEY ASSY          |        | 1   |        |
| 6   | 525 88 74-02 | SCREW CITXPANT       |        | 11  | 1      |
| 7   | 584 43 94-01 | PULLEY               |        | 1   |        |
| 8   | 505 44 54-05 | CASSETTE             |        | 1   | 9      |
| 9   | 544 44 10-01 | DRAW SPRING          |        | 1   | 9, 10  |
| 10  | 544 44 04-02 | BRAKE SHOE           |        | 4   | 9      |
| 11  | 588 65 57-01 | SCREW                |        | 1   | 10     |
| 12  | 544 97 63-04 | BELT                 | "14""  | 1   | 10     |
| 13  | 588 99 20-01 | BEARING HOUSING ASSY | "14""  | 1   | 15, 23 |
| 14  | 584 99 43-01 | SCREW                |        | 1   | 15     |
| 15  | 503 87 54-02 | BAR BOLT             |        | 3   | 15     |
| 16  | 588 99 24-01 | SHAFT                |        | 1   | 15     |
| 17  | 583 95 33-01 | BALL BEARING         |        | 2   |        |
| 18  | 586 80 10-02 | SLIP RING HOLDER     |        | 1   | 15     |

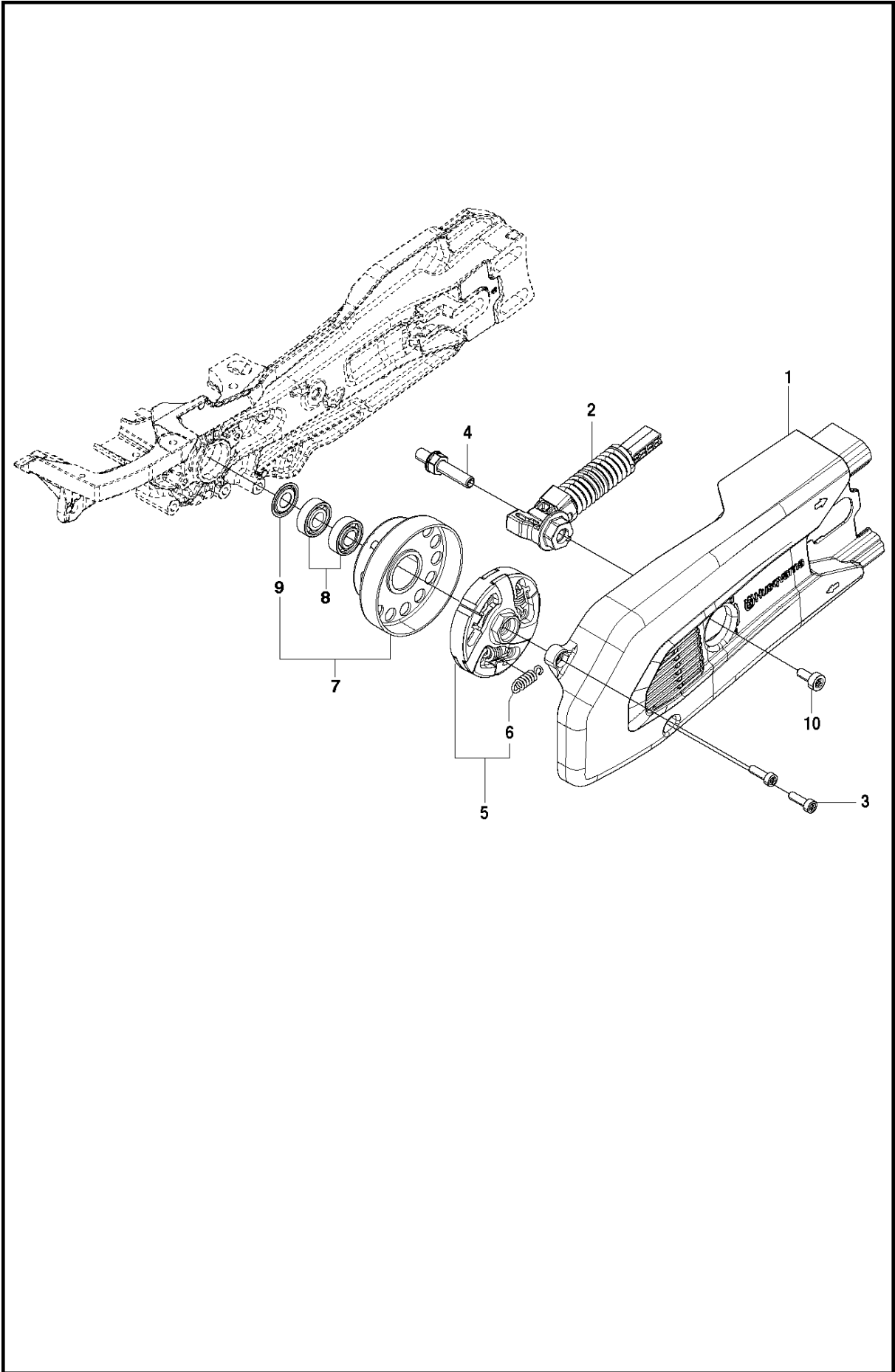
**A2** K970 III 16"  
BELTGUARD & PULLEY



## BELT GUARD &amp; PULLEY

K970 III, 2016-07

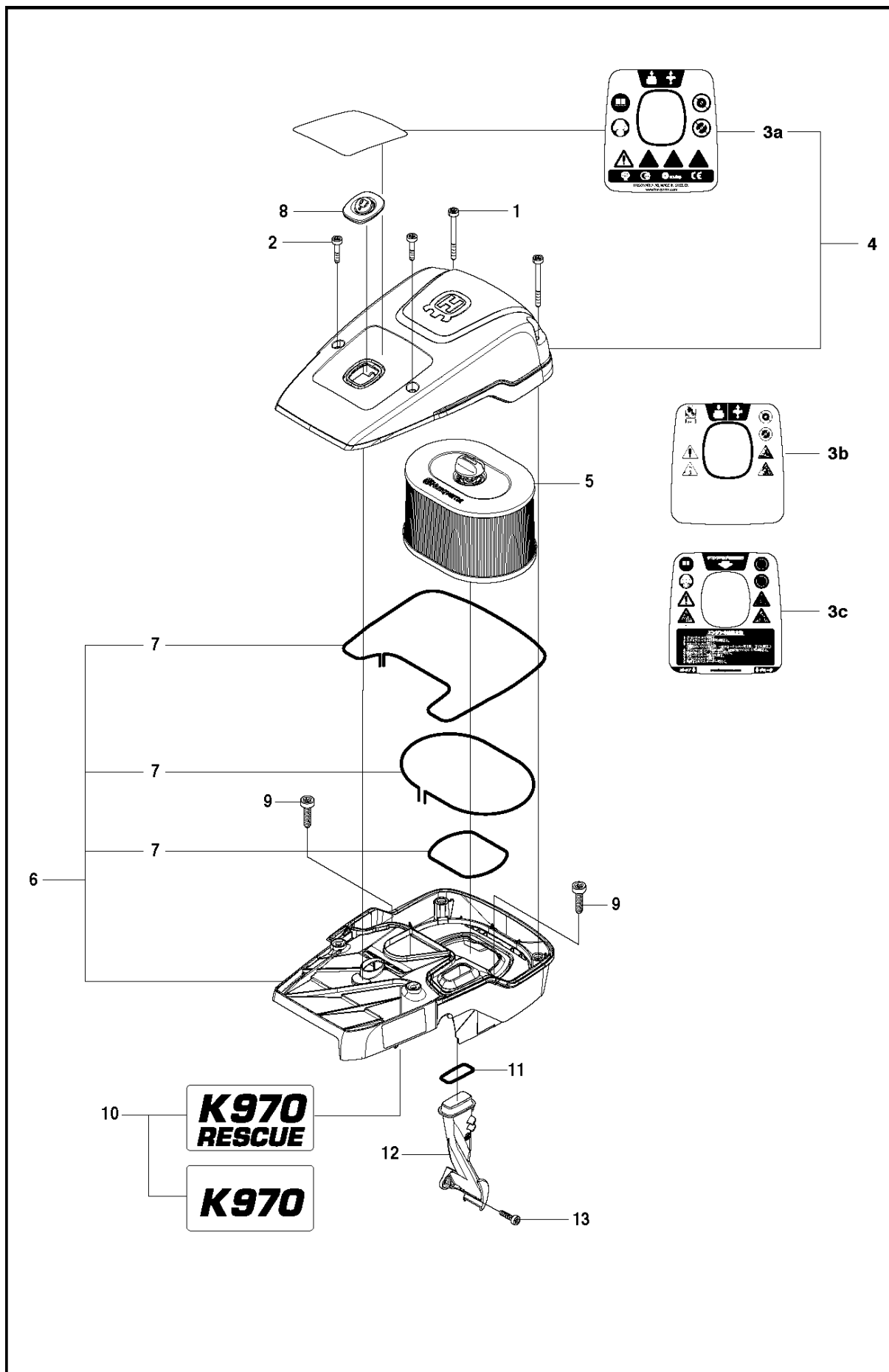
| Ref | Part No      | Description          | Remark | QTY | KIT    |
|-----|--------------|----------------------|--------|-----|--------|
| 1   | 501 05 71-04 | BELT GUARD           | "16""  | 1   |        |
| 2   | 586 74 37-01 | NUT WASHER           |        | 3   | 1      |
| 3   | 501 98 10-20 | SCREW ITXSCM         |        | 1   |        |
| 4   | 503 20 00-45 | SCREW EHHFM          |        | 1   |        |
| 5   | 503 23 01-16 | WASHER               |        | 1   |        |
| 6   | 586 30 70-02 | PULLEY ASSY          |        | 1   |        |
| 7   | 525 88 74-02 | SCREW CITXPANT       |        | 11  | 1      |
| 8   | 584 43 94-01 | PULLEY               |        | 1   |        |
| 9   | 505 44 54-05 | CASSETTE             |        | 1   | 9      |
| 10  | 544 44 10-01 | DRAW SPRING          |        | 1   | 9, 10  |
| 11  | 544 44 04-02 | BRAKE SHOE           |        | 4   | 9      |
| 12  | 586 80 10-02 | SLIP RING HOLDER     |        | 1   | 10     |
| 13  | 544 97 63-07 | BELT                 | "16""  | 1   | 10     |
| 14  | 588 99 20-02 | BEARING HOUSING ASSY | "16""  | 1   |        |
| 15  | 505 57 41-16 | SCREW ITXSCM         |        | 1   | 15     |
| 16  | 586 41 69-01 | STOP                 |        | 1   | 15     |
| 17  | 503 87 54-02 | BAR BOLT             |        | 3   | 15, 23 |
| 18  | 588 65 57-01 | SCREW                |        | 1   | 15     |
| 19  | 583 95 33-01 | BALL BEARING         |        | 2   | 15     |
| 20  | 588 99 24-01 | SHAFT                |        | 1   | 15     |



## CLUTCH

K970 III, 2016-07

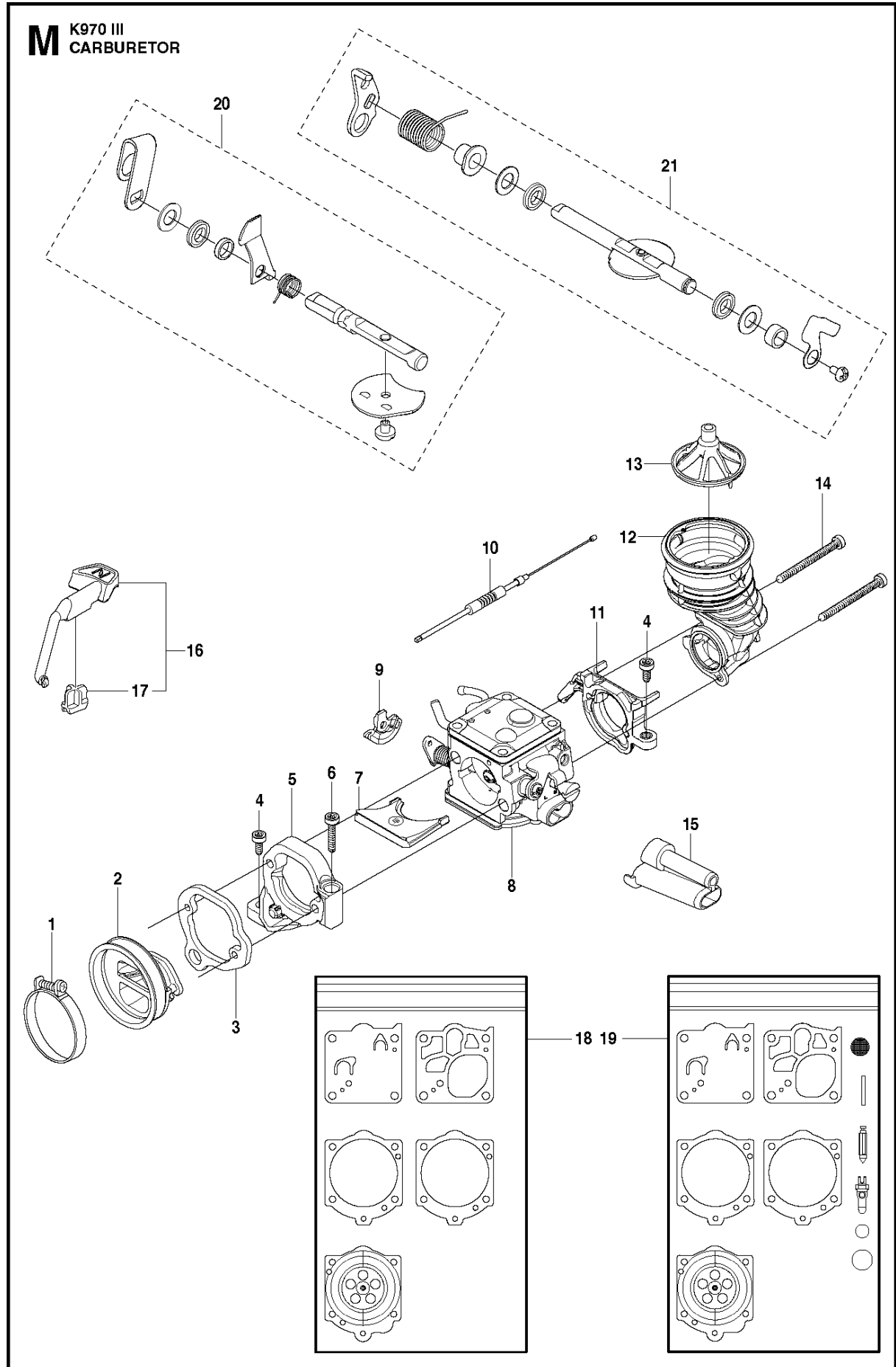
| Ref | Part No      | Description         | Remark              | QTY KIT |   |
|-----|--------------|---------------------|---------------------|---------|---|
| 1   | 586 09 95-01 | BELT GUARD ASSY     |                     | 1       |   |
| 2   | 583 84 22-01 | BELT TENSIONER ASSY |                     | 1       | 1 |
| 3   | 501 98 10-20 | SCREW ITXSCM        |                     | 2       |   |
| 4   | 583 85 16-01 | PIVOT PIN           |                     | 1       |   |
| 5   | 503 70 15-03 | CLUTCH ASSY         |                     | 1       |   |
| 6   | 588 42 15-01 | CLUTCH SPRING       |                     | 3       | 5 |
| 7   | 586 30 87-01 | DRIVING PULLEY ASSY | "14""               | 1       |   |
| 7   | 586 30 87-02 | DRIVING PULLEY ASSY | "16""               | 1       |   |
| 8   | 525 83 18-01 | BALL BEARING        | 1 piece per package | 2       | 7 |
| 9   | 506 31 69-01 | DUST COVER          |                     | 1       | 7 |
| 10  | 501 98 10-01 | SCREW ITXSCM        |                     | 1       |   |



## AIR FILTER COVER

K970 III, 2016-07

| Ref | Part No      | Description         | Remark      | QTY | KIT |
|-----|--------------|---------------------|-------------|-----|-----|
| 1   | 503 21 53-56 | SCREW ITXSCM        |             | 2   |     |
| 2   | 503 21 53-26 | SCREW ITXSCM        |             | 2   |     |
| 3a  | 584 91 33-04 | DECAL               |             | 1   | 4   |
| 3b  | 584 91 33-05 | DECAL               | US, CA, MEX | 1   |     |
| 3c  | 584 91 33-03 | DECAL               | JP          | 1   |     |
| 4   | 587 00 51-01 | FILTER COVER ASSY   |             | 1   |     |
| 5   | 510 24 41-01 | AIR FILTER          |             | 1   |     |
| 6   | 586 56 40-01 | CYLINDER COVER ASSY |             | 1   |     |
| 7   | 525 61 70-04 | SEALING             |             | 3   | 6   |
| 8   | 585 42 83-01 | PLUG                |             | 1   |     |
| 9   | 503 21 53-30 | SCREW ITXSCM        |             | 2   |     |
| 10  | 525 57 16-01 | DECAL               |             | 1   |     |
| 10  | 525 57 16-02 | DECAL               |             | 1   |     |
| 11  | 740 48 20-03 | O-RING              |             | 1   |     |
| 12  | 525 57 17-02 | AIR NOZZLE          |             | 1   |     |
| 13  | 501 98 10-01 | SCREW ITXSCM        |             | 1   |     |



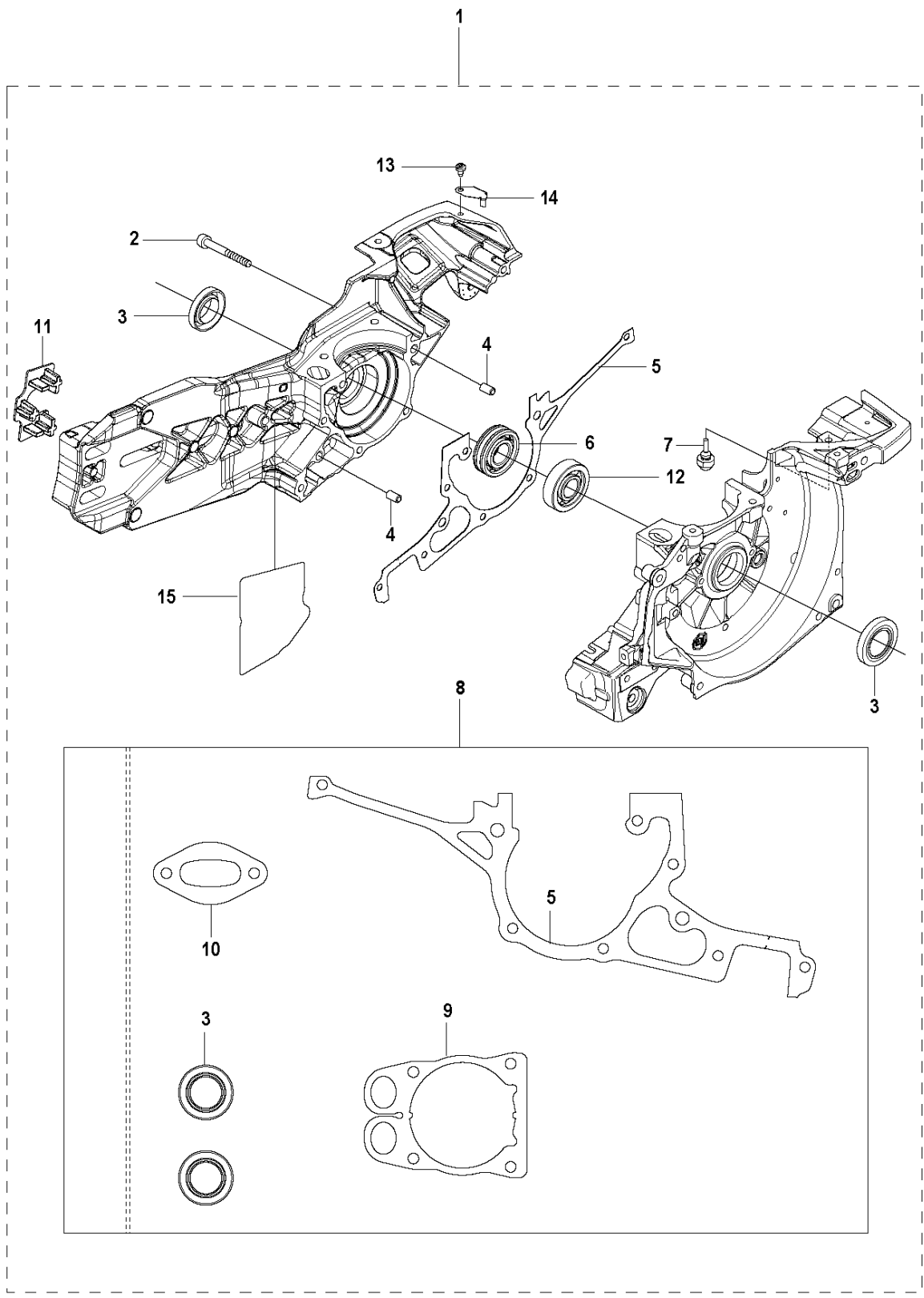


## CARBURETOR

K970 III, 2016-07

| Ref | Part No      | Description         | Remark | QTY | KIT |
|-----|--------------|---------------------|--------|-----|-----|
| 1   | 505 28 33-06 | HOSE CLAMP          |        | 1   |     |
| 2   | 506 41 41-01 | INLET PIPE          |        | 1   |     |
| 3   | 544 15 01-01 | FLANGE              |        | 1   |     |
| 4   | 503 21 53-16 | SCREW ITXSCM        |        | 2   |     |
| 5   | 544 11 39-01 | CONSOLE             |        | 1   |     |
| 6   | 503 21 53-30 | SCREW ITXSCM        |        | 1   |     |
| 7   | 506 41 42-01 | PLATE               |        | 1   |     |
| 8   | 584 91 30-01 | CARBURETTOR         |        | 1   |     |
| 9   | 505 14 84-01 | LEVER               |        | 1   |     |
| 10  | 576 49 04-01 | THROTTLE CABLE ASSY |        | 1   |     |
| 11  | 522 85 62-01 | FLANGE              |        | 1   |     |
| 12  | 521 92 67-01 | INLET PIPE          |        | 1   |     |
| 13  | 510 24 39-01 | FILTER              |        | 1   |     |
| 14  | 501 97 18-01 | SCREW ITXSCM        |        | 2   |     |
| 15  | 586 06 21-01 | CHISEL GUIDE        |        | 1   |     |
| 16  | 506 23 20-11 | CHOKE               |        | 1   |     |
| 17  | 506 27 25-01 | WEAR PROTECTION     |        | 1   | 16  |
| 18  | 502 44 58-01 | GASKET KIT          |        | 1   |     |
| 19  | 502 44 59-03 | REPAIR KIT          |        | 1   |     |
| 21  | 593 77 69-01 | THROTTLE SHAFT      |        | 1   |     |
| 20  | 593 77 77-01 | CHOKE SHAFT         |        | 1   |     |

**D** K970  
CRANKCASE



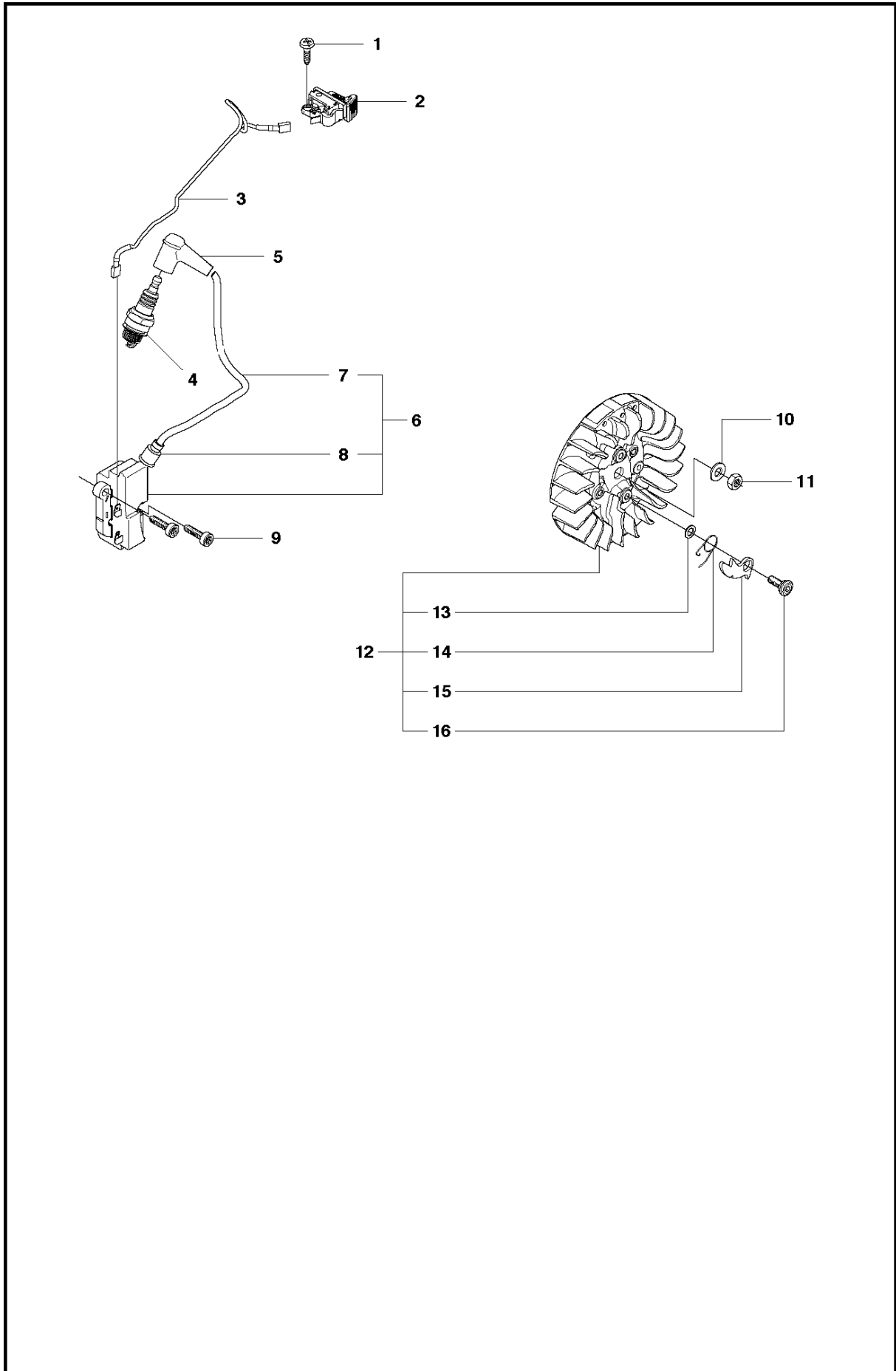
## CRANKCASE

K970 III, 2016-07

| Ref | Part No      | Description     | Remark | QTY | KIT  |
|-----|--------------|-----------------|--------|-----|------|
| 1   | 588 99 28-01 | CRANKCASE       |        | 1   |      |
| 2   | 503 21 53-49 | SCREW ITXSCM    |        | 7   | 1    |
| 3   | 503 26 02-04 | SEALING RING    |        | 2   | 1, 8 |
| 4   | 501 27 08-01 | GUIDE BUSHING   |        | 2   | 1    |
| 5   | 577 98 89-01 | GASKET          |        | 1   | 1, 8 |
| 6   | 588 63 70-01 | BALL BEARING    |        | 1   | 1    |
| 7   | 522 85 61-01 | RUBBER BUSHING  |        | 1   | 1    |
| 8   | 544 22 98-07 | GASKET KIT      |        | 1   | 1    |
| 9   | 594 89 01-01 | GASKET          |        | 1   | 1, 8 |
| 10  | 585 28 09-01 | GASKET          |        | 1   | 1, 8 |
| 11  | 586 76 09-01 | RUBBER SHOE     |        | 1   | 1, 8 |
| 12  | 503 25 00-02 | BALL BEARING    |        | 1   | 1    |
| 13  | 525 88 74-03 | SCREW CITXPANT  |        |     |      |
| 14  | 582 12 33-01 | WEAR PROTECTION |        |     |      |
| 15  | 580 85 41-01 | HEAT PROTECTOR  |        | 1   | 1    |



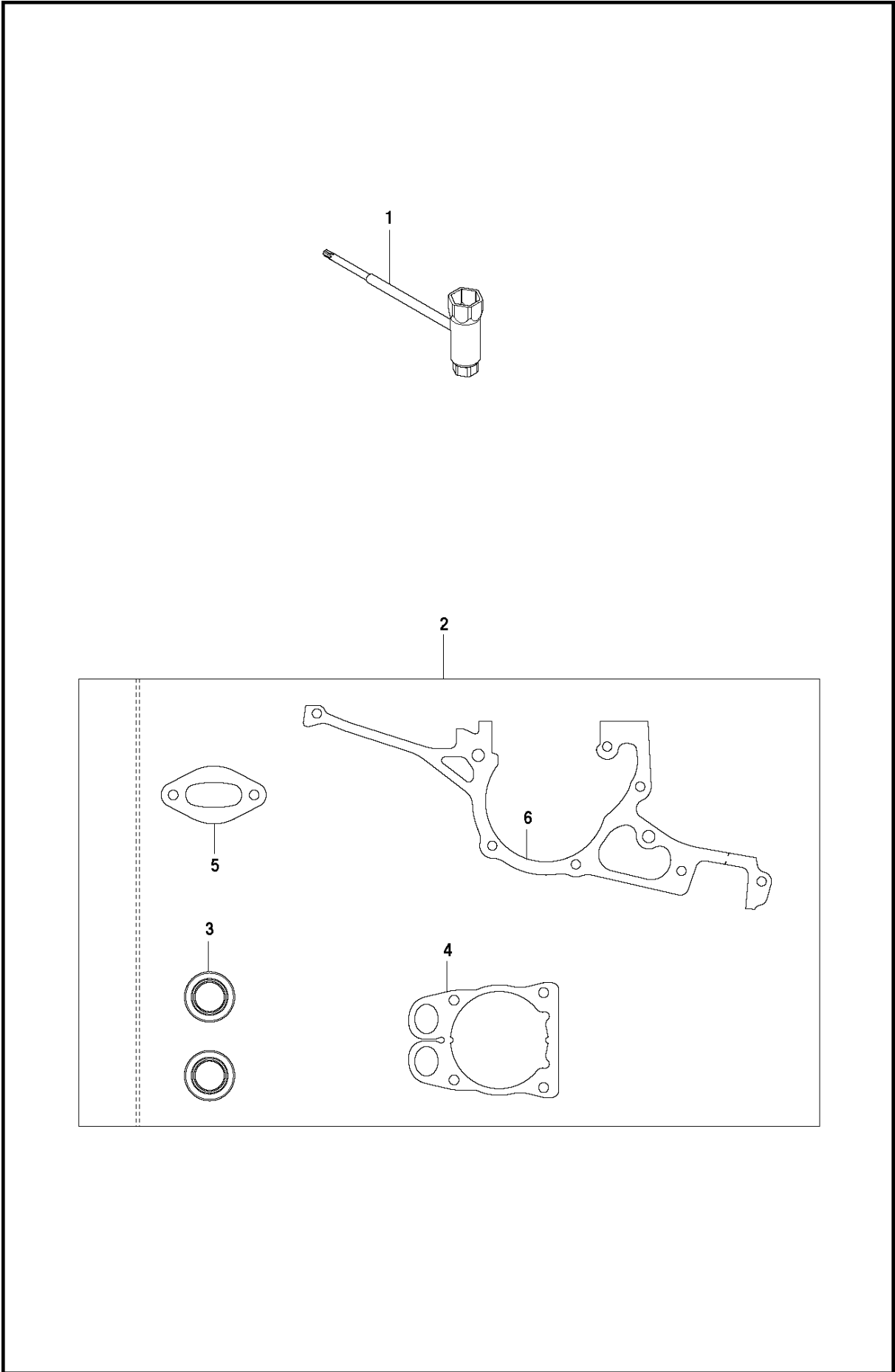
| Ref | Part No      | Description | Remark | QTY KIT |
|-----|--------------|-------------|--------|---------|
| 1   | 588 99 28-02 | CRANKCASE   |        | 1       |



## IGNITION SYSTEM

K970 III, 2016-07

| Ref | Part No      | Description     | Remark | QTY | KIT |
|-----|--------------|-----------------|--------|-----|-----|
| 1   | 525 88 74-03 | SCREW CITXPANT  |        | 1   |     |
| 2   | 506 31 86-04 | STOP SWITCH     |        | 1   |     |
| 3   | 501 83 98-01 | CABLE           |        | 1   |     |
| 4   | 503 23 51-11 | SPARK PLUG      |        | 1   |     |
| 5   | 590 50 45-01 | SPARK PLUG CAP  |        | 1   |     |
| 6   | 580 38 05-02 | IGNITION MODULE |        | 1   |     |
| 7   | 506 38 78-34 | IGNITION CABLE  |        | 1   | 6   |
| 8   | 505 27 75-16 | CABLE SLEEVE    |        | 1   | 6   |
| 9   | 505 57 41-20 | SCREW ITXSCM    |        | 2   |     |
| 10  | 503 23 01-01 | WASHER          |        | 1   |     |
| 11  | 503 22 10-11 | HEXAGON NUT     |        | 1   |     |
| 12  | 501 37 56-02 | FLYWHEEL        |        | 1   |     |
| 13  | 503 23 00-42 | WASHER          |        | 2   | 12  |
| 14  | 501 63 48-01 | SPRING          |        | 2   | 12  |
| 15  | 501 67 32-03 | PAWL            |        | 2   | 12  |
| 16  | 506 00 69-01 | SCREW           |        | 2   | 12  |

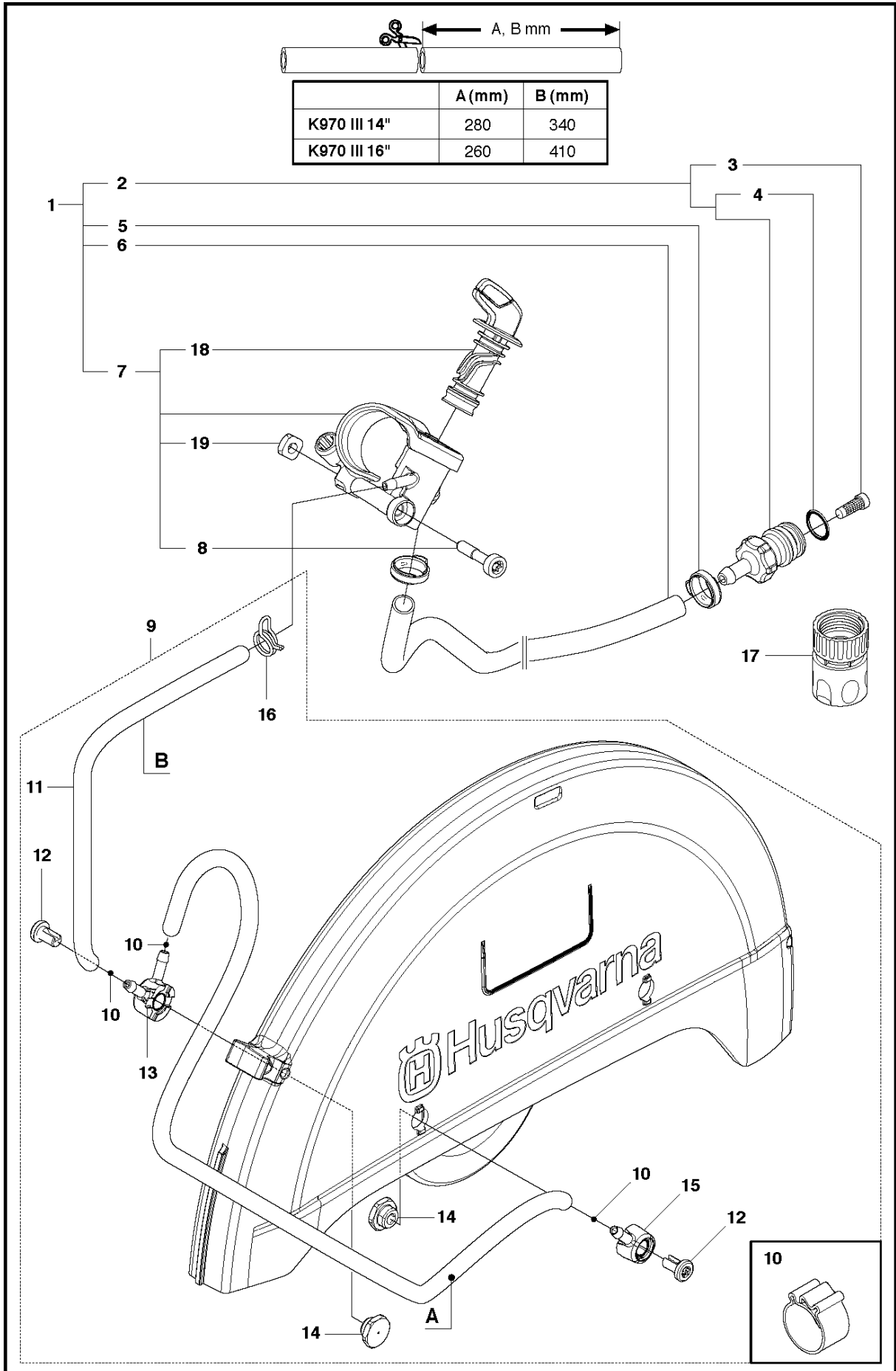




GASKET KIT

K970 III, 2016-07

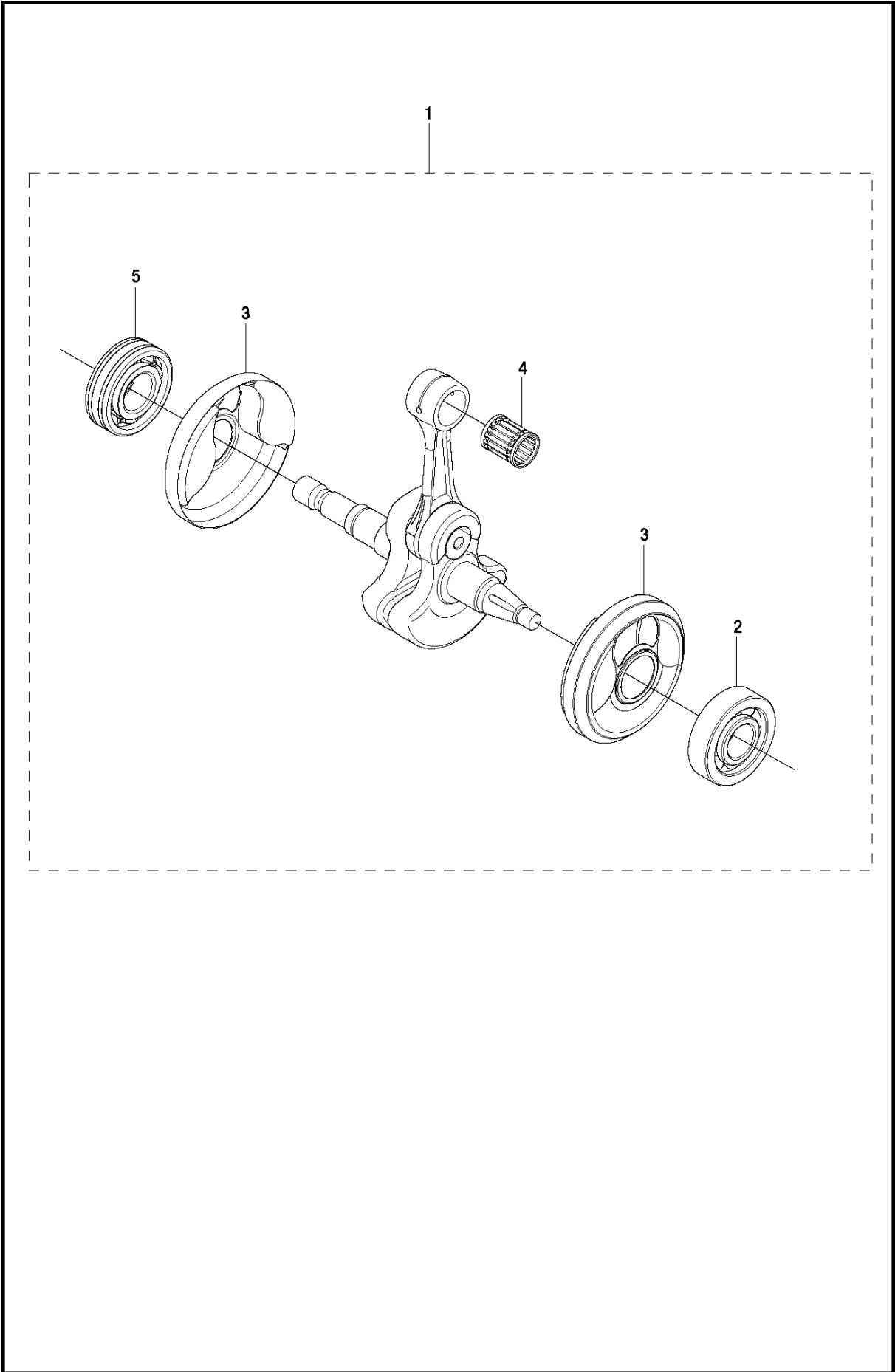
| Ref | Part No      | Description  | Remark | QTY KIT |   |
|-----|--------------|--------------|--------|---------|---|
| 1   | 506 38 26-01 | TOOL         |        | 1       |   |
| 2   | 544 22 98-07 | GASKET KIT   |        | 1       |   |
| 3   | 503 26 02-04 | SEALING RING |        | 2       | 3 |
| 4   | 594 89 01-01 | GASKET       |        | 1       | 3 |
| 5   | 585 28 09-01 | GASKET       |        | 1       | 3 |
| 6   | 577 98 89-01 | GASKET       |        | 1       | 3 |



## VALVES

K970 III, 2016-07

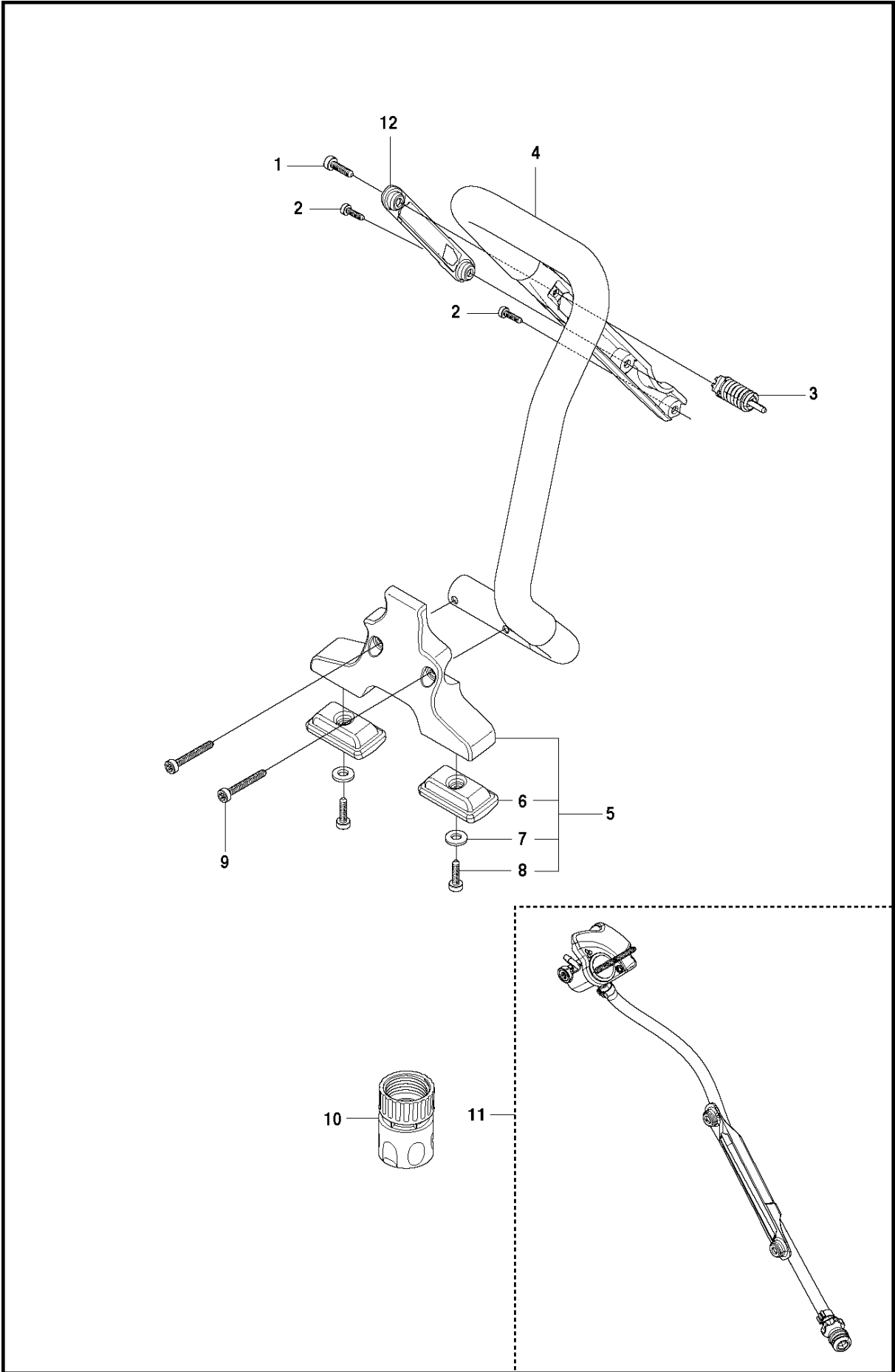
| Ref | Part No      | Description  | Remark     | QTY KIT |   |
|-----|--------------|--------------|------------|---------|---|
| 1   | 581 47 62-06 | HOSE KIT     |            | 1       |   |
| 2   | 581 47 83-02 | NIPPLE       |            | 1       | 1 |
| 3   | 506 29 88-01 | FILTER       |            | 1       | 1 |
| 4   | 505 10 35-01 | O-RING       |            | 1       | 1 |
| 5   | 589 63 86-01 | HOSE CLAMP   |            | 2       | 1 |
| 6   | 578 19 81-02 | HOSE         |            | 1       | 1 |
| 7   | 578 24 33-02 | VALVE ASSY   |            | 1       | 1 |
| 8   | 503 21 53-41 | SCREW ITXSCM |            | 1       | 1 |
| 9   | 581 72 15-01 | HOSE KIT     |            | 1       |   |
| 10  | 506 49 87-03 | HOSE CLAMP   |            | 3       |   |
| 11  | 578 19 83-05 | HOSE         | 800mm      | 1       |   |
| 12  | 504 63 46-02 | SCREW ITXSCM |            | 2       |   |
| 13  | 578 19 07-01 | HOUSING      |            | 1       |   |
| 14  | 576 79 84-03 | NIPPLE       |            | 2       |   |
| 15  | 578 19 08-01 | HOUSING      |            | 1       |   |
| 16  | 583 83 30-01 | HOSE CLAMP   |            | 1       |   |
| 17  | 503 26 60-03 | COUPLER      | "1/2""     | 1       |   |
| 17  | 503 26 60-04 | COUPLER      | "GHT 3/4"" | 1       |   |
| 18  | 581 35 70-01 | LEVER ASSY   |            | 1       | 1 |
| 19  | 503 22 65-04 | SQUARE NUT   |            | 1       | 1 |



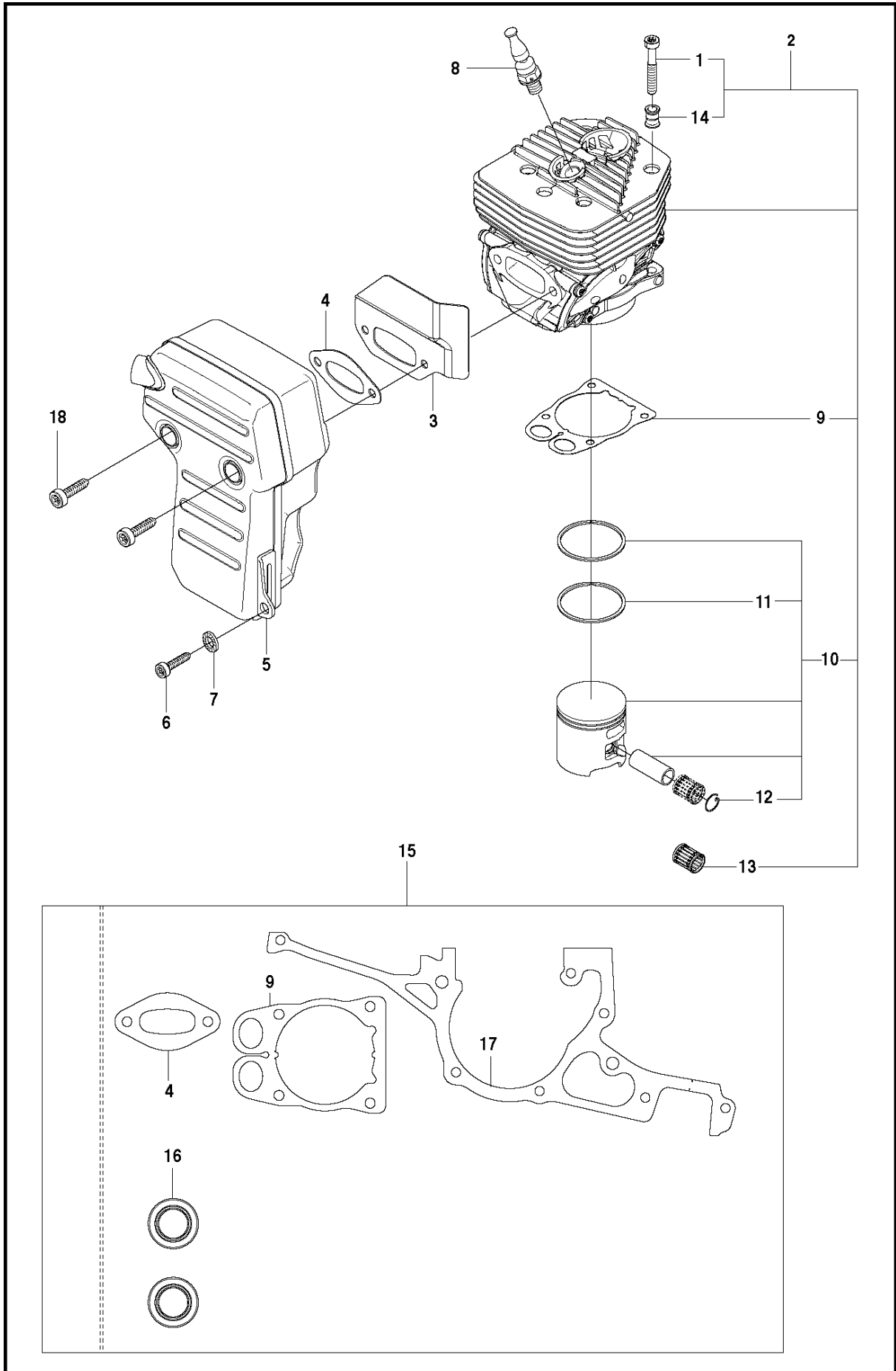
CRANKSHAFT

K970 III, 2016-07

| Ref | Part No      | Description     | Remark | QTY | KIT |
|-----|--------------|-----------------|--------|-----|-----|
| 1   | 574 26 76-02 | CRANKSHAFT ASSY |        | 1   |     |
| 2   | 503 25 00-02 | BALL BEARING    |        | 1   | 1   |
| 3   | 506 41 44-01 | CUP             |        | 2   | 1   |
| 4   | 503 25 61-01 | NEEDLE BEARING  |        | 1   | 1   |
| 5   | 588 63 70-01 | BALL BEARING    |        | 1   | 1   |



| Ref | Part No      | Description           | Remark     | QTY | KIT |
|-----|--------------|-----------------------|------------|-----|-----|
| 1   | 544 06 12-01 | SCREW ITXSCM          |            | 1   |     |
| 2   | 503 21 54-20 | SCREW ITXSCT          |            | 2   |     |
| 3   | 585 90 56-01 | ANTIVIBRATION ELEMENT |            | 1   |     |
| 4   | 505 26 89-01 | HANDLE                |            | 1   |     |
| 5   | 544 89 15-03 | GROUND SUPPORT        |            | 1   |     |
| 6   | 544 81 16-01 | BASE                  |            | 2   | 5   |
| 7   | 734 11 47-41 | WASHER                |            | 2   | 5   |
| 8   | 503 21 53-12 | SCREW ITXSCM          |            | 2   | 5   |
| 9   | 503 21 54-45 | SCREW ITXSCT          |            | 2   |     |
| 10  | 503 26 60-03 | COUPLER               | "1/2""     | 1   |     |
| 10  | 503 26 60-04 | COUPLER               | "GHT 3/4"" | 1   |     |
| 11  | 581 47 62-02 | HOSE KIT              |            | 1   |     |
| 12  | 585 01 99-01 | HOSE GUARD            |            | 1   |     |

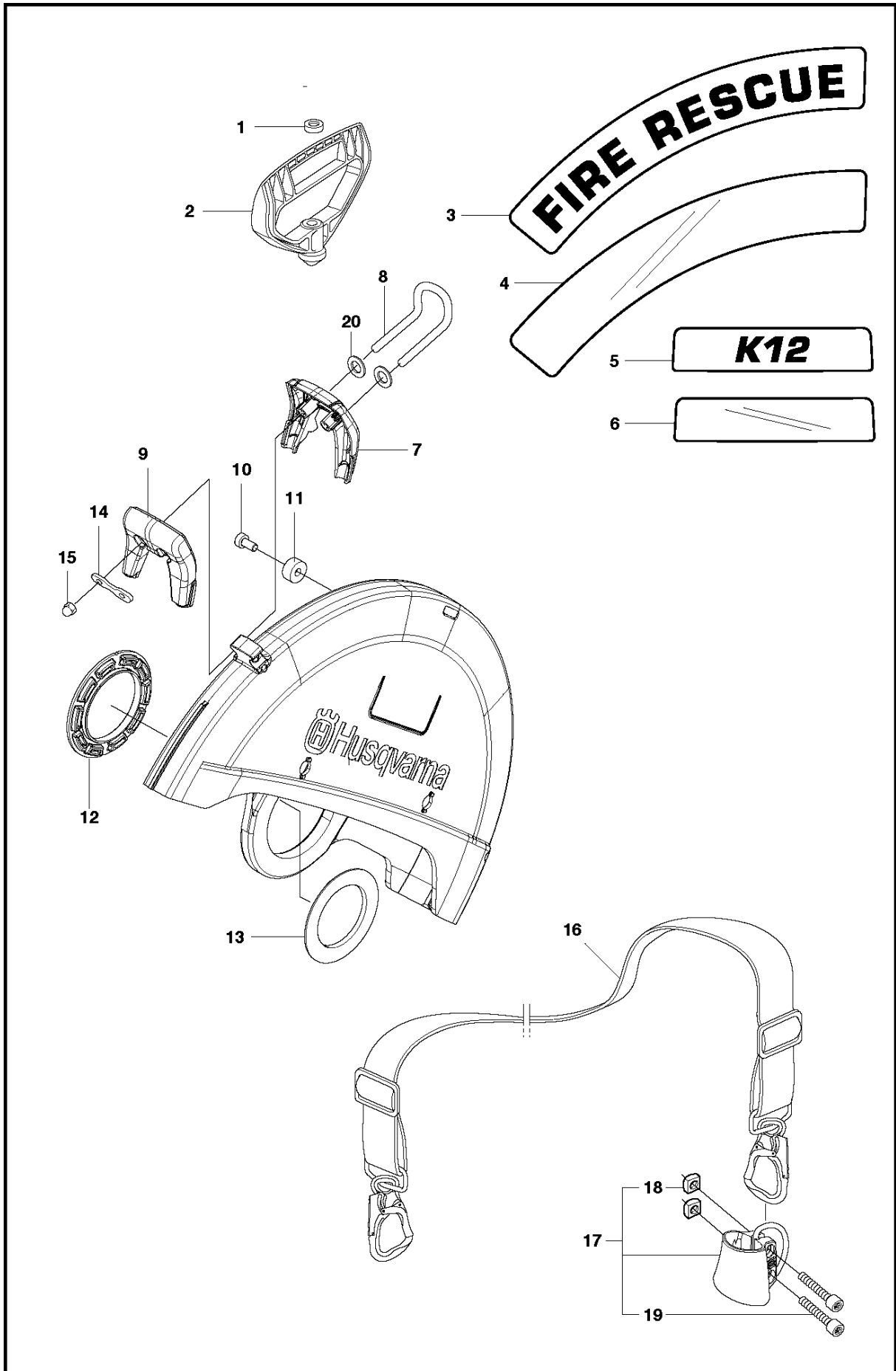




## CYLINDER, PISTON &amp; MUFFLER

K970 III, 2016-07

| Ref | Part No      | Description         | Remark              | QTY KIT |
|-----|--------------|---------------------|---------------------|---------|
| 1   | 544 21 84-40 | SCREW ITXSCM        |                     | 4       |
| 2   | 586 35 10-01 | CYLINDER ASSY       | Incl. 9 - 10, 13    | 1       |
| 3   | 577 99 76-02 | HEAT DEFLECTOR      |                     | 1       |
| 4   | 585 28 09-01 | GASKET              |                     | 1       |
| 5   | 587 63 11-01 | MUFFLER ASSY        |                     | 1       |
| 6   | 503 21 53-25 | SCREW ITXSCM        |                     | 1       |
| 7   | 503 23 04-02 | WASHER              |                     | 1       |
| 8   | 584 91 22-01 | DECOMPRESSION VALVE |                     | 1       |
| 9   | 594 89 01-01 | GASKET              | Paper gasket        | 1       |
| 10  | 506 41 32-02 | PISTON              | Incl. 11 - 12       | 1       |
| 11  | 503 28 90-35 | PISTON RING         |                     | 2       |
| 12  | 737 44 13-00 | CIRCLIP             |                     | 2       |
| 13  | 503 25 61-01 | NEEDLE BEARING      |                     | 1       |
| 14  | 578 11 91-01 | SLEEVE              |                     | 4       |
| 15  | 544 22 98-07 | GASKET KIT          | Incl. 4, 9, 15 - 17 | 1       |
| 16  | 503 26 02-04 | SEALING RING        |                     | 2       |
| 17  | 577 98 89-01 | GASKET              |                     | 1       |
| 18  | 544 21 84-01 | SCREW ITXSCM        |                     | 2       |



## RESCUE

K970 III, 2016-07

| Ref | Part No      | Description    | Remark  | QTY KIT |
|-----|--------------|----------------|---------|---------|
| 1   | 503 14 29-02 | WASHER         |         | 1       |
| 2   | 506 29 75-02 | STARTER HANDLE |         | 1       |
| 3   | 588 98 74-01 | DECAL          |         | 2       |
| 4   | 588 98 75-01 | DECAL          |         | 1       |
| 5   | 588 98 76-02 | DECAL          | US ONLY | 1       |
| 6   | 588 98 76-01 | DECAL          |         | 1       |
| 7   | 578 76 09-02 | HANDLE HALF    |         | 1       |
| 8   | 588 75 46-01 | ROD            |         | 1       |
| 9   | 578 19 09-01 | HANDLE HALF    |         | 1       |
| 10  | 504 90 94-10 | SCREW ITXSCT   |         | 1       |
| 11  | 581 62 03-01 | STOP           |         | 1       |
| 12  | 584 43 79-01 | LINING         |         | 1       |
| 13  | 584 43 80-01 | LINING         |         | 1       |
| 14  | 588 75 47-01 | HANDLE BRACKET |         | 1       |
| 15  | 588 90 81-01 | NUT CAP        |         | 2       |
| 16  | 586 45 60-01 | SHOULDER STRAP |         | 1       |
| 17  | 588 73 14-02 | BRACKET        |         | 1       |
| 18  | 503 22 65-04 | SQUARE NUT     |         | 2       |
| 19  | 503 21 53-12 | SCREW ITXSCM   |         | 2       |
| 20  | 576 29 40-01 | WASHER         |         | 2       |