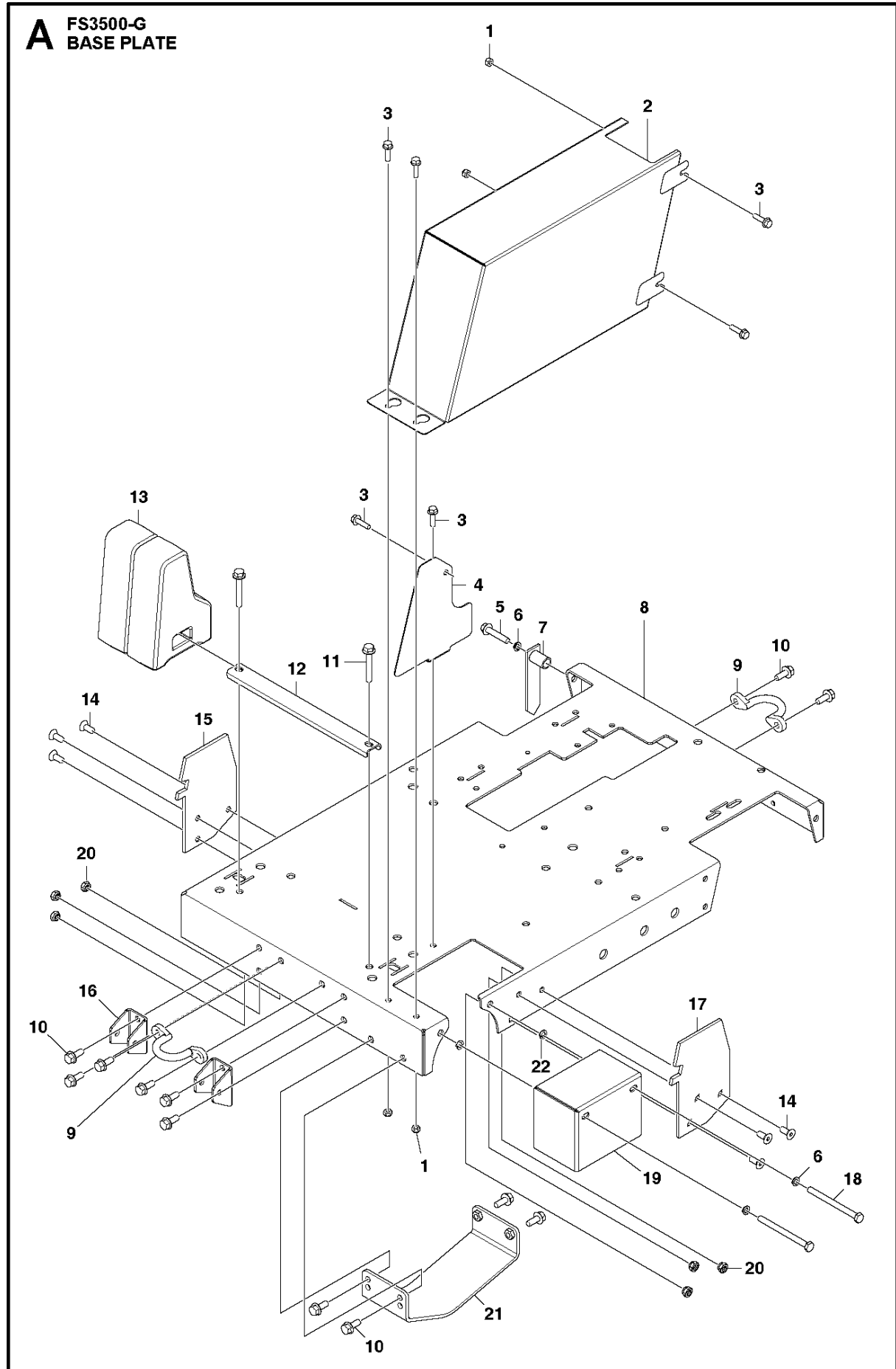




# SPARE PARTS LIST

FLOOR SAWS

FS3500 G, 2018-01

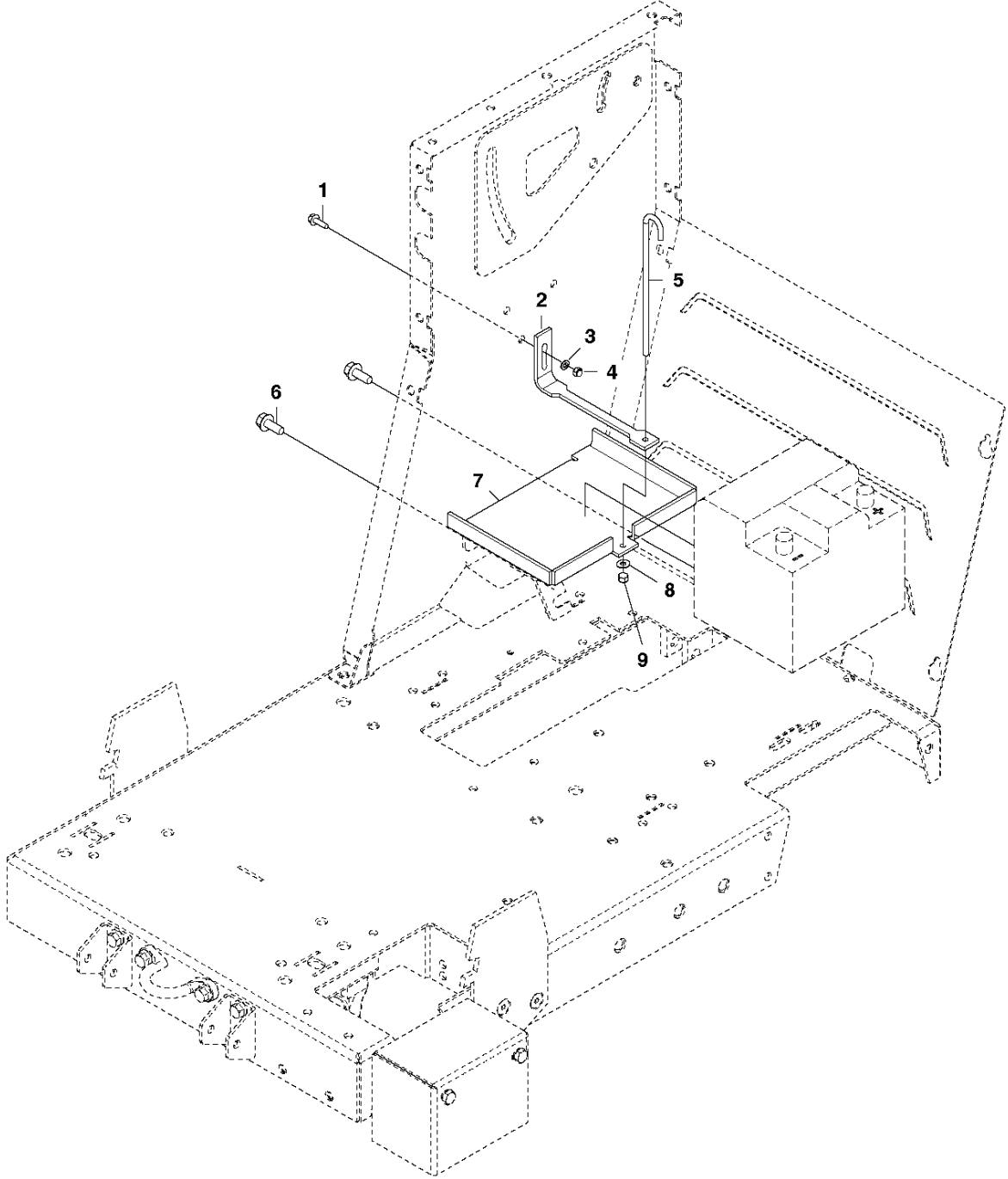


## BASE PLATE

FS3500 G, 2018-01

Ref	Part No	Description	Remark	QTY KIT
1	732 25 18-01	HEXAGON LOCKING NUT		4
2	593 92 08-01	BELT GUARD	CE	1
2	593 92 48-01	BELT GUARD	US	1
3	585 97 28-01	SCREW EHHFM		6
4	588 93 78-01	BRACKET		1
5	725 25 02-71	SCREW EHHM		1
6	735 11 73-01	SPRING WASHER		3
7	504 06 12-01	POINTER		1
8	590 74 62-01	BASEPLATE		1
9	504 58 03-02	LOOP		2
10	585 97 31-01	SCREW EHHFM		12
11	581 24 33-01	SCREW EHHFM		2
12	501 75 65-01	PLATE		1
13	501 74 66-01	WEIGHT		2
14	725 64 93-51	SCREW IHCSFM		6
15	542 17 62-80	BRACKET		1
16	579 35 94-01	BRACKET		2
17	542 17 62-82	BRACKET		1
18	725 25 15-51	SCREW EHHM		2
19	541 20 84-53	COVER		1
20	732 25 20-01	HEXAGON LOCKING NUT		6
21	582 15 15-01	BELT GUARD	"20""	1
21	501 74 54-01	BELT GUARD	"26""-30""	1
22	735 58 58-00	WASHER		2

**B** FS3500-G  
BATTERY

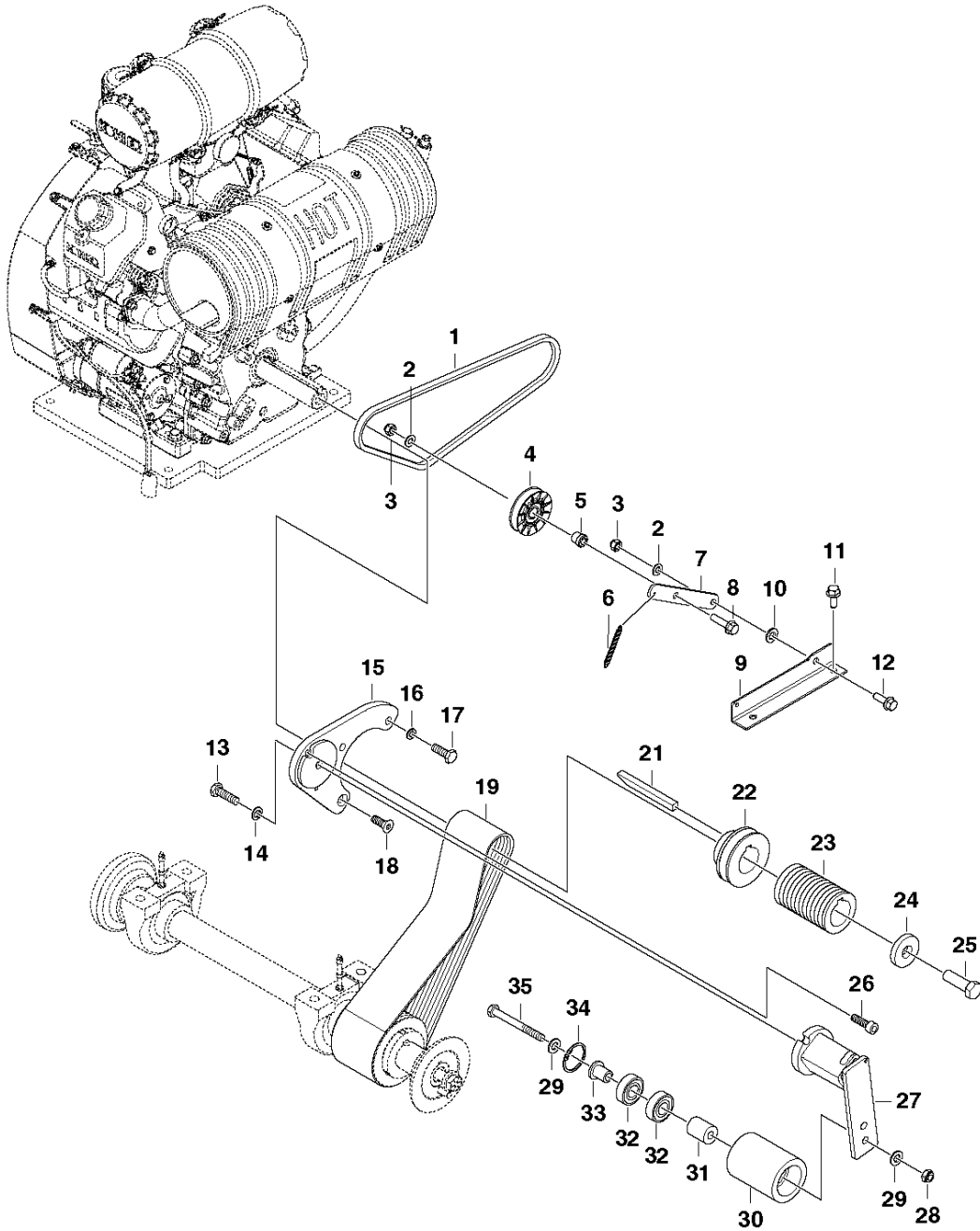


## BATTERY

FS3500 G, 2018-01

Ref	Part No	Description	Remark	QTY KIT
1	586 12 02-01	SCREW EHHFM		1
2	542 19 17-35	BRACKET		1
3	734 11 52-01	WASHER		1
4	732 25 16-01	HEXAGON LOCKING NUT		1
5	505 55 12-01	BOLT		1
6	585 97 31-01	SCREW EHHFM		2
7	589 65 50-01	BRACKET		1
8	539 99 00-55	WASHER 1/4 SAE		1
9	539 97 69-78	NUT		1

**C** FS3500-G  
BELT

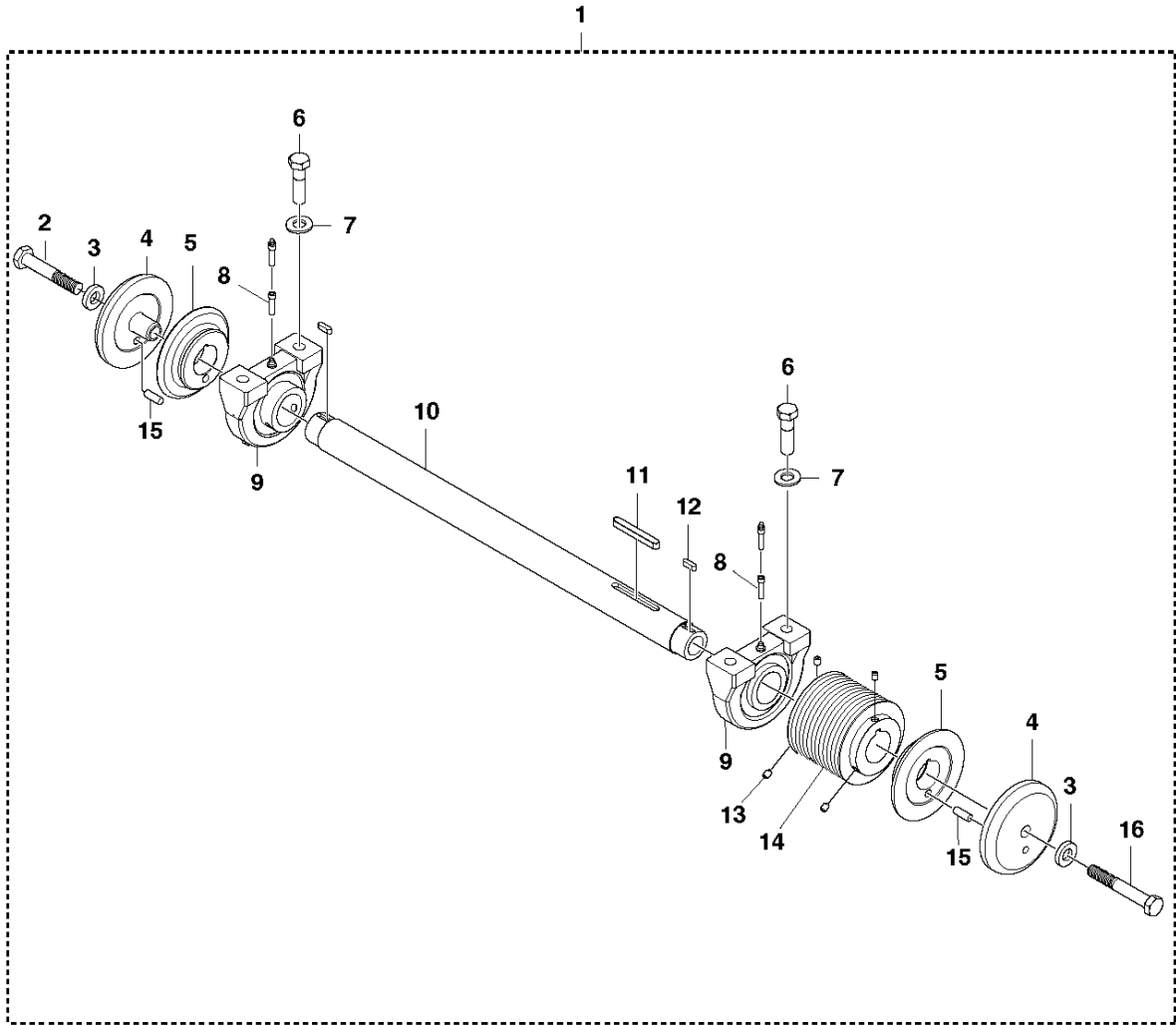


## BELT

FS3500 G, 2018-01

Ref	Part No	Description	Remark	QTY KIT
1	539 30 01-69	BELT, AX38		1
2	734 11 72-01	WASHER		2
3	732 25 20-01	HEXAGON LOCKING NUT		2
4	542 16 77-63	PULLEY		1
5	542 16 77-62	BUSHING		1
6	542 19 17-58	SPRING		1
7	589 61 71-01	LEVER		1
8	585 97 53-01	SCREW EHHFM		1
9	589 61 72-01	BRACKET		1
10	734 11 78-01	WASHER		1
11	585 97 31-01	SCREW EHHFM		2
12	585 98 04-01	SCREW EHHFM		1
13	725 25 40-71	SCREW EHHM		1
14	735 11 78-01	WASHER		1
15	590 84 78-01	BRACKET		1
16	539 99 01-18	WASHER		2
17	539 97 69-41	SCREW		2
18	501 93 97-01	SCREW IHCSFM		1
19	582 71 60-01	BELT	"20""	1
19	582 62 33-01	BELT	"26""-30""	1
21	542 02 00-39	KEY		1
23	588 95 70-01	PULLEY		1
22	582 14 29-01	PULLEY	"20""	1
23	588 94 74-01	PULLEY	"26""-30""	1
24	542 16 03-93	WASHER		1
25	542 02 03-63	SCREW		1
26	725 54 95-01	SCREW IHSCM		1
27	588 67 65-01	BELT TENSIONER		1
28	732 25 22-01	HEXAGON LOCKING NUT		1
29	734 11 78-01	WASHER		2
30	588 67 67-01	SHEAVE		1
31	588 67 68-01	SPACER		1
32	542 13 92-73	BALL BEARING		2
33	541 20 81-94	SPACER		1
34	735 31 40-10	CIRCLIP		1
35	725 25 52-51	SCREW EHHM		1

**D** FS3500-G  
BLADE SHAFT

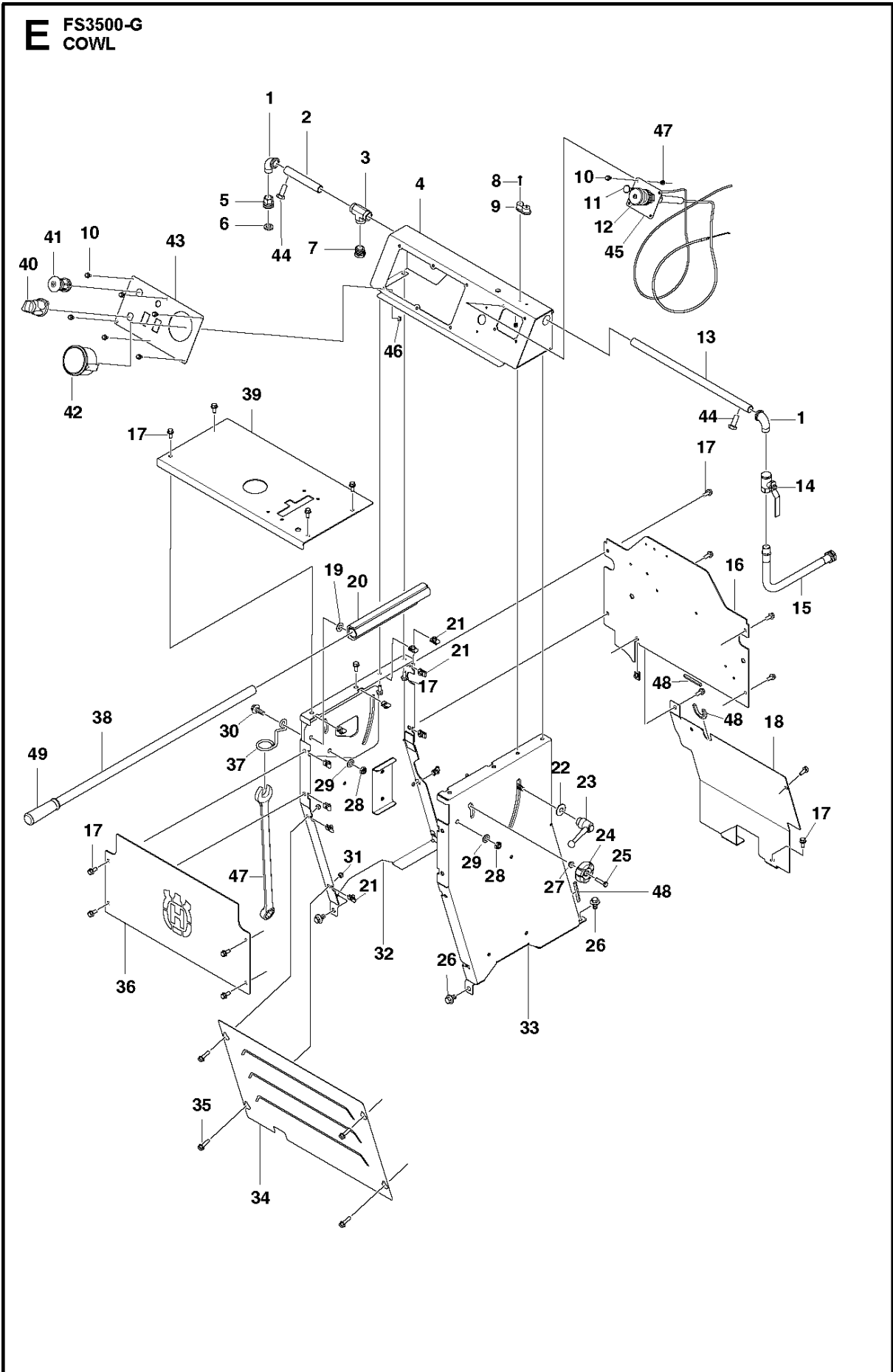




## BLADE SHAFT

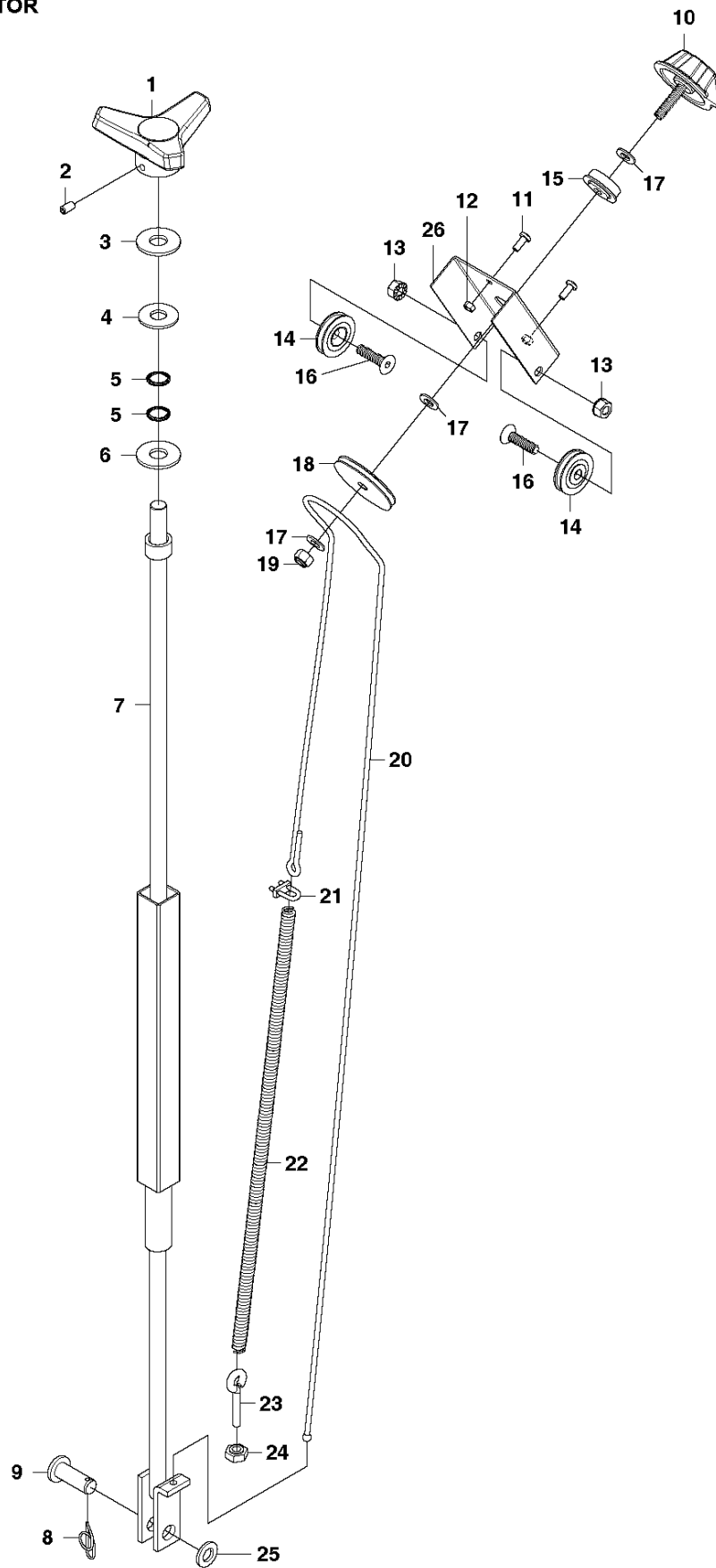
FS3500 G, 2018-01

Ref	Part No	Description	Remark	QTY KIT	
1	593 92 09-01	BLADE SHAFT	"20""	1	
1	593 92 53-01	BLADE SHAFT	"26-30""	1	
2	586 25 59-01	SCREW		1	1
3	522 96 59-42	WASHER		2	1
4	586 00 92-01	COLLAR	"4,5""	2	1
4	586 00 93-01	COLLAR	"5""	2	1
5	542 16 31-03	FLANGE	"4,5""	2	1
5	542 16 62-84	COVER	"5""	2	1
6	590 88 04-01	SCREW		4	1
7	539 97 69-82	WASHER		4	1
8	542 16 31-40	FS900T FITTING/		2	1
9	542 16 05-75	PILLOW BLOCK/		2	1
10	590 81 10-01	BLADE SHAFT		1	1
11	542 18 32-97	KEY		1	1
12	542 04 30-54	KEY		2	1
13	728 74 47-05	SCREW IHSETM		4	1
14	590 83 40-01	PULLEY		1	1
14	590 83 14-01	PULLEY		1	1
15	505 53 19-01	PIN		2	1
16	586 25 57-01	SCREW		1	1



Ref	Part No	Description	Remark	QTY KIT
1	539 30 02-42	FITTING		2
2	590 85 70-01	PIPE		1
3	542 02 07-30	PIPE		1
4	593 92 19-01	PANEL		1
5	539 30 02-69	FITTING		1
6	542 04 56-40	WASHER		1
7	576 19 11-52	FITTING		1
8	502 02 35-01	SCREW IHCSFM		2
9	501 85 79-01	CLAMP		1
10	585 97 33-01	SCREW EHHFM		10
11	542 16 04-09	WIRE		1
12	582 06 88-01	CABLE		1
13	590 85 71-01	PIPE		1
14	582 69 10-01	VALVE		1
15	542 16 36-56	HOSE		1
16	589 59 73-01	PANEL		1
17	585 97 54-01	SCREW EHHFM		20
18	589 60 70-01	PANEL		1
19	539 30 02-74	WASHER, FRICTION 1/2 X 1" OD		2
20	586 92 77-01	HANDLE		2
21	542 16 75-55	NUT		24
22	542 02 07-45	WASHER		2
23	585 59 46-01	LEVER		2
24	504 56 93-01	TURNING KNOB		2
25	725 24 57-71	SCREW EHHM		2
26	576 65 48-02	SCREW EHHFM		4
27	731 71 18-51	HEXAGON NUT FLANGE		2
28	732 25 22-01	HEXAGON LOCKING NUT		3
29	734 11 78-01	WASHER		3
30	576 65 48-03	SCREW EHHFM		1
31	732 25 18-01	HEXAGON LOCKING NUT		4
32	593 92 24-01	COWL PANEL		1
33	593 92 25-01	COWL PANEL		1
34	589 71 48-01	PANEL		1
35	585 97 28-01	SCREW EHHFM		4
36	582 84 29-01	PANEL		1
37	578 10 73-01	HOLDER		1
38	539 30 03-40	HANDLEBAR		2
39	593 92 23-01	PANEL	US	1
39	593 92 22-01	PANEL	CE	1
40	587 68 10-01	IGNITION SWITCH		1
41	586 63 78-01	STOP SWITCH		1
42	582 51 51-01	GAUGE		1
43	593 92 20-01	PANEL		1
44	725 24 93-71	SCREW EHHM		2
45	593 92 21-01	PANEL		1
46	542 02 01-71	NUT		1
47	504 62 64-03	WRENCH		1
48	584 89 83-03	PROTECTION		3
49	542 13 95-68	GRIP		2

**F** FS3500-G  
DEPTH INDICATOR

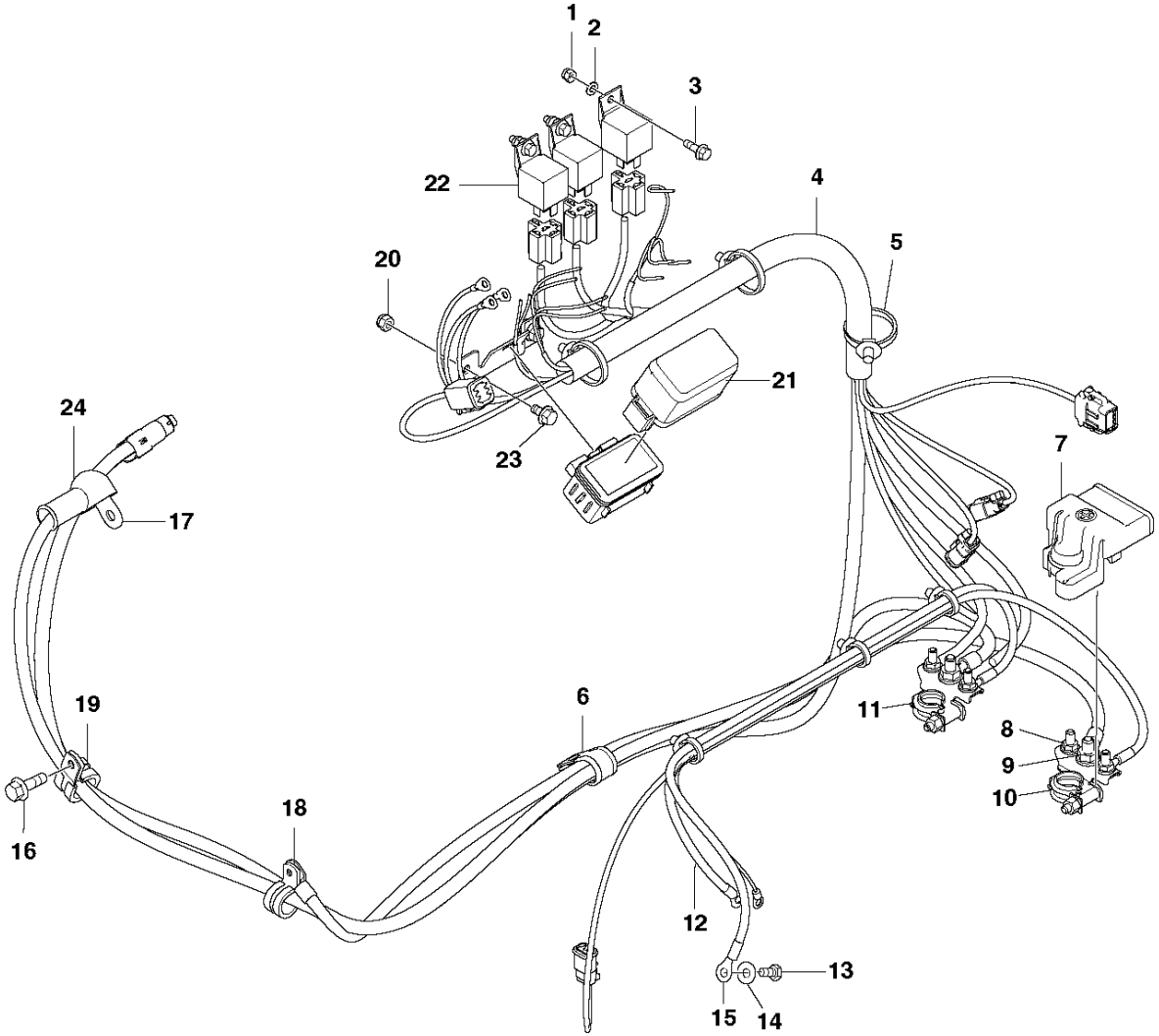


## DEPTH INDICATOR

FS3500 G, 2018-01

Ref	Part No	Description	Remark	QTY KIT
1	541 20 16-53	HANDLE		1
2	539 30 00-20	NLA SCREW SET 1/4C X 1/2"		1
3	542 02 07-45	WASHER		1
4	542 04 64-24	WASHER		1
5	542 04 64-25	WASHER		2
6	539 99 02-50	WASHER		1
7	542 16 32-38	ROD		1
8	542 17 72-39	PIN		1
9	542 16 01-64	PIN		1
10	542 16 32-61	KNOB		1
11	724 13 27-51	SCREW CRPANM		2
12	732 25 14-01	HEXAGON LOCKING NUT	Included in Tank, pos 5	2
13	542 03 23-66	NUT		2
14	523 07 52-01	BEARING		2
15	542 04 36-96	BEARING		1
16	522 67 64-02	SCREW		2
17	539 99 01-88	WASHER		3
18	542 04 36-94	WHEEL		1
19	539 99 07-17	NUT		1
20	542 16 32-28	WIRE		1
21	542 04 36-98	CLAMP		1
22	523 21 20-01	SPRING		1
23	542 16 74-49	EYE BOLT		1
24	731 23 16-01	HEXAGON NUT		1
25	734 11 78-01	WASHER		2
26	542 04 37-11	SUPPORT		1

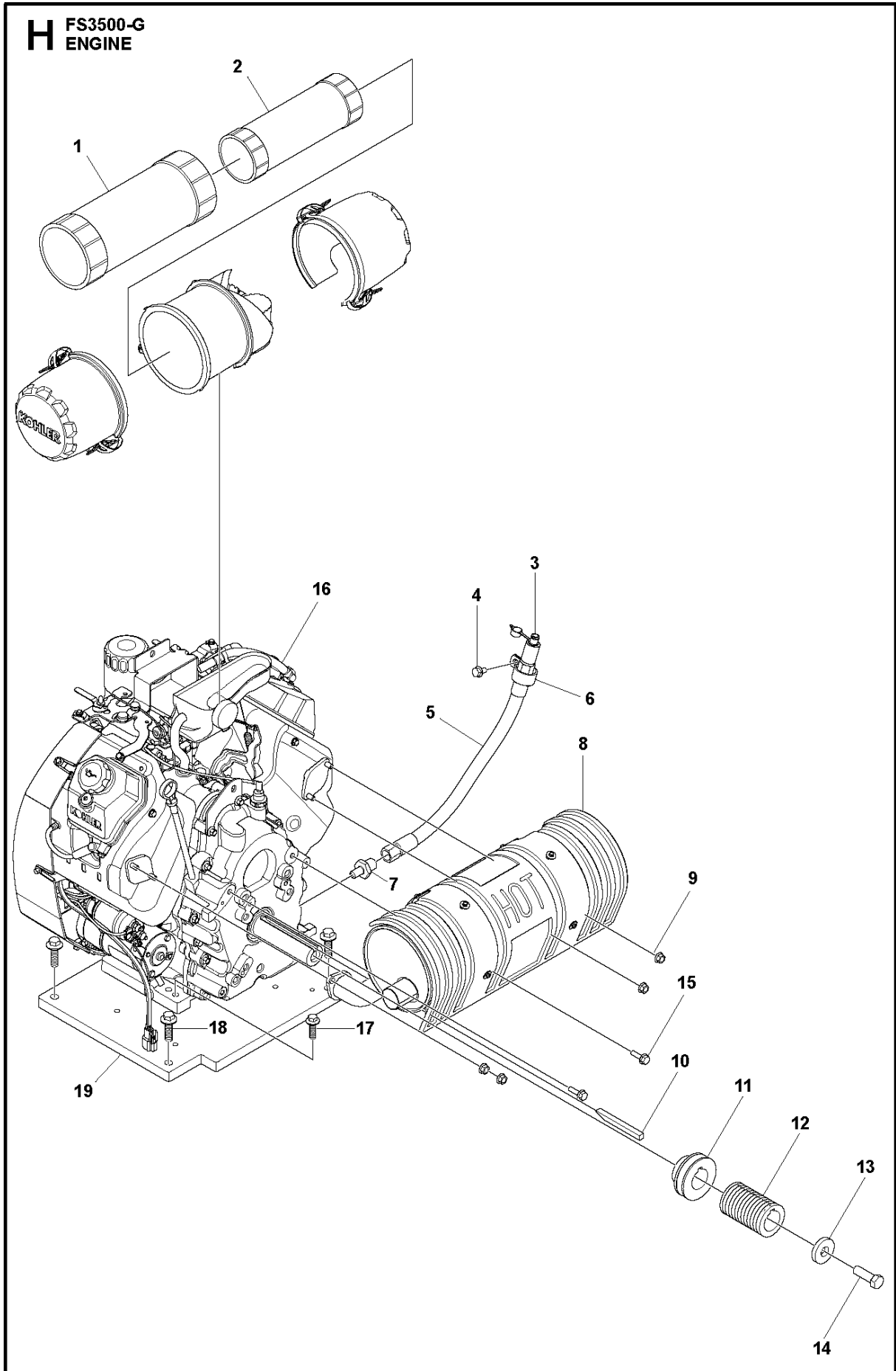
**G** FS3500-G  
ELECTRICAL



## ELECTRICAL

FS3500 G, 2018-01

Ref	Part No	Description	Remark	QTY KIT
1	732 25 14-01	HEXAGON LOCKING NUT		1
2	734 11 46-01	WASHER		3
3	585 98 05-01	SCREW EHHFM		3
4	589 63 90-01	WIRING ASSY		1
5	583 95 95-01	CLAMP		6
6	542 19 05-60	CLAMP		1
7	581 33 65-01	ELECTRICAL SYSTEM		1
8	731 71 16-51	HEXAGON NUT FLANGE		4
9	731 71 18-51	HEXAGON NUT FLANGE		2
10	581 33 63-01	ELECTRICAL SYSTEM		1
11	581 33 64-01	ELECTRICAL SYSTEM		1
12	590 78 04-01	CABLE ASSY		1
13	505 62 73-01	BOLT		1
14	539 99 00-55	WASHER 1/4 SAE		1
15	590 78 05-01	CABLE ASSY		1
16	585 97 56-01	SCREW EHHFM		1
17	539 30 10-13	BATTERY		1
18	589 28 21-01	CABLE		1
19	588 77 32-01	CLAMP		2
20	732 25 16-01	HEXAGON LOCKING NUT		2
21	593814901	TBD		1
22	542 16 67-08	RELAY		3
23	585 97 33-01	SCREW EHHFM		2
24	542 17 70-02	COVER		1



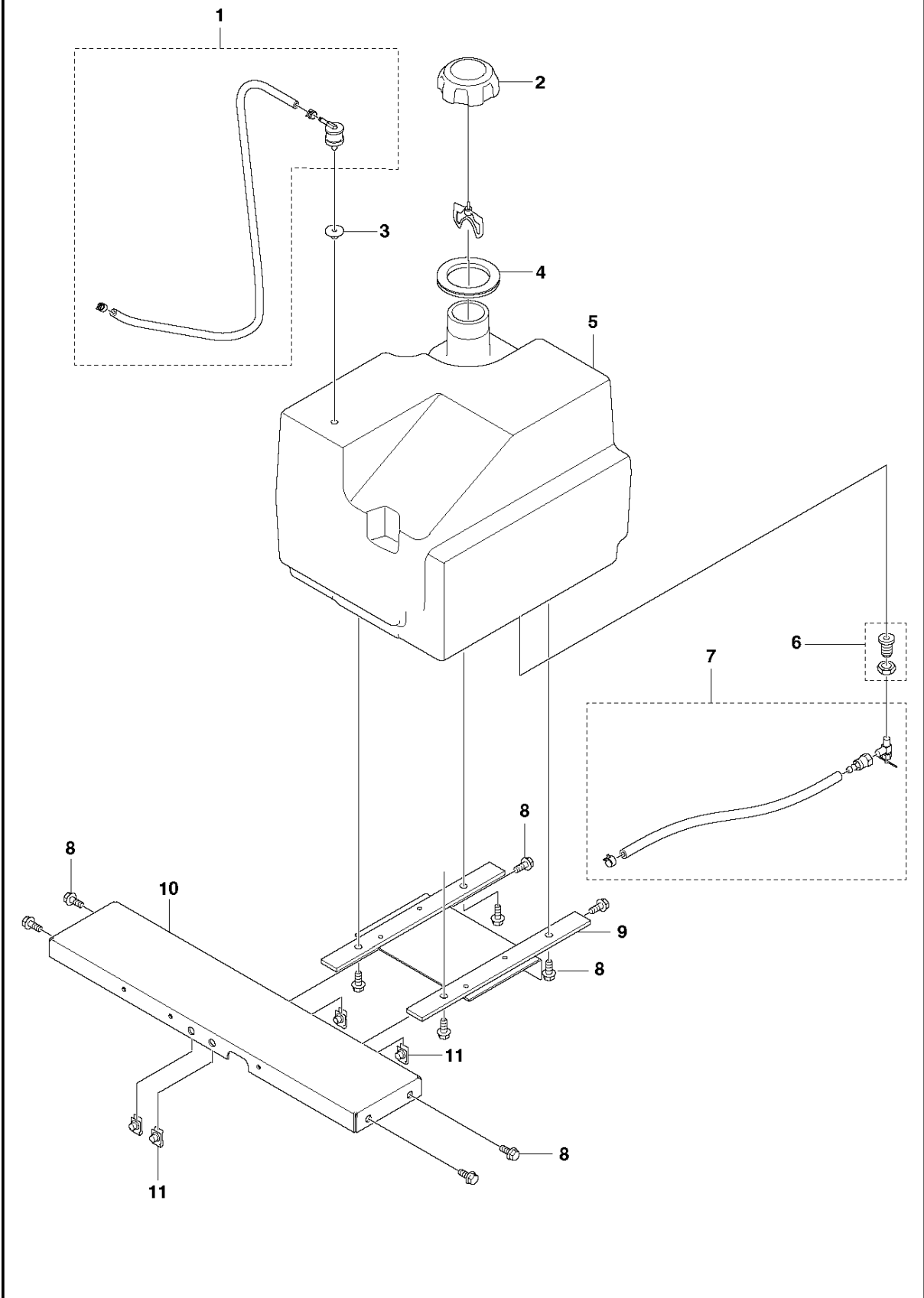


## ENGINE

FS3500 G, 2018-01

Ref	Part No	Description	Remark	QTY KIT
1	505 79 80-01	AIR FILTER		1
2	505 79 81-01	AIR FILTER		1
3	542 16 69-07	VALVE		1
4	585 97 56-01	SCREW EHHFM		1
5	584 97 09-01	HOSE ASSY		1
6	542 17 86-56	CLAMP		1
7	541 20 47-34	FITTING		1
8	501 70 12-01	MUFFLER		1
9	731 71 18-51	HEXAGON NUT FLANGE		4
10	542 02 00-39	KEY		1
11	588 95 70-01	PULLEY		1
12	582 14 29-01	PULLEY		1
12	588 94 74-01	PULLEY		1
13	542 16 03-93	WASHER		1
14	542 02 03-63	SCREW		1
15	585 97 54-01	SCREW EHHFM		2
16	588 66 46-01	ENGINE		1
17	585 97 53-01	SCREW EHHFM		4
18	576 65 48-04	SCREW EHHFM		4
19	588 69 17-01	PLATE		1

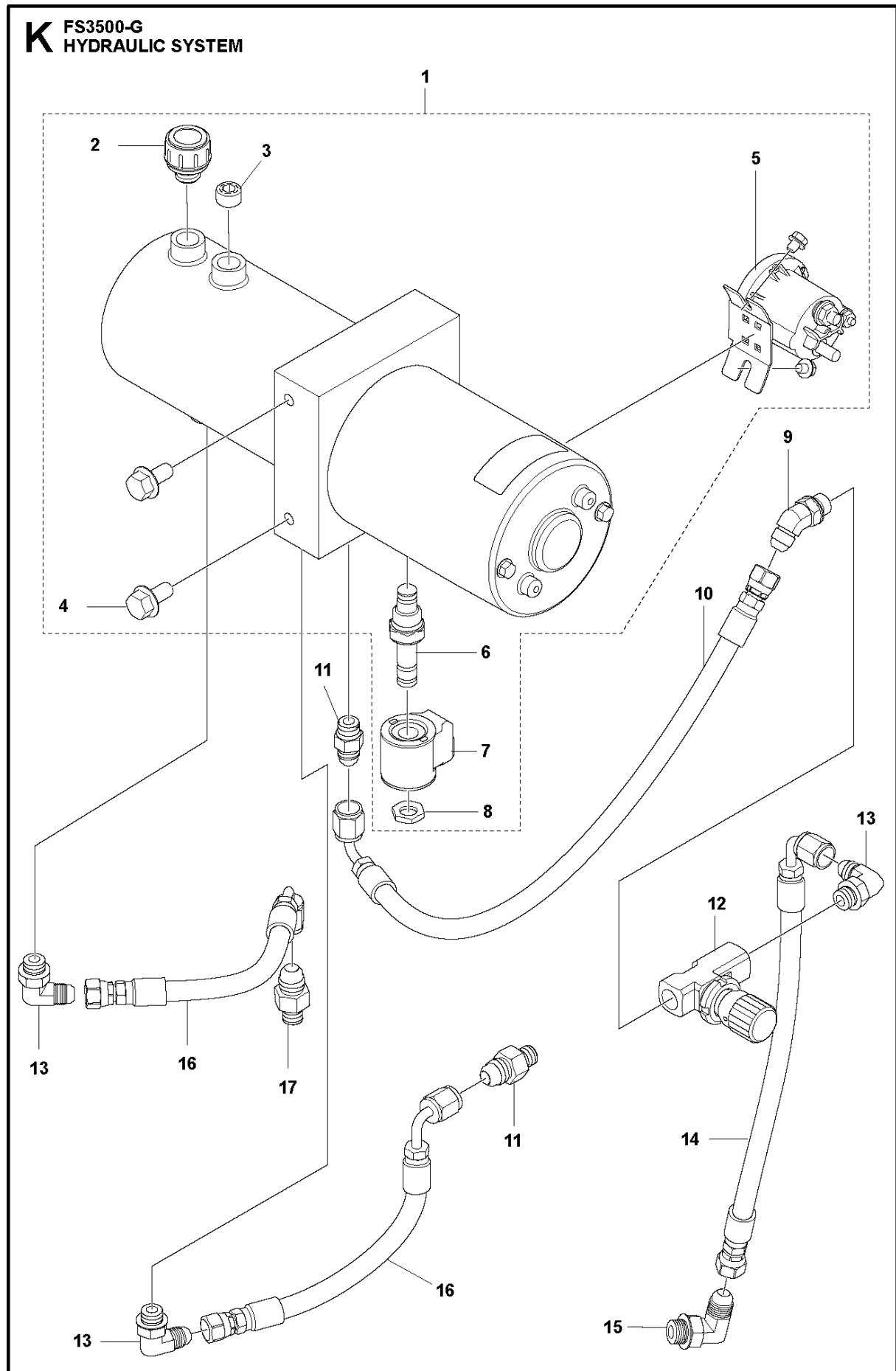
**J** FS3500-G  
FUEL TANK



## FUEL TANK

FS3500 G, 2018-01

Ref	Part No	Description	Remark	QTY KIT
1	593 92 26-01	HOSE ASSY		1
2	593 01 58-01	FUEL CAP		1
3	584 64 82-01	GROMMET		1
4	539 30 00-80	GROMMET		1
5	588 63 84-01	FUEL TANK		1
6	588 75 53-01	FITTING		1
7	593 92 27-01	HOSE ASSY		1
8	585 97 54-01	SCREW EHHFM		10
9	582 83 59-01	BRACKET		1
10	582 83 68-01	BRACKET		1
11	542 16 75-55	NUT		4

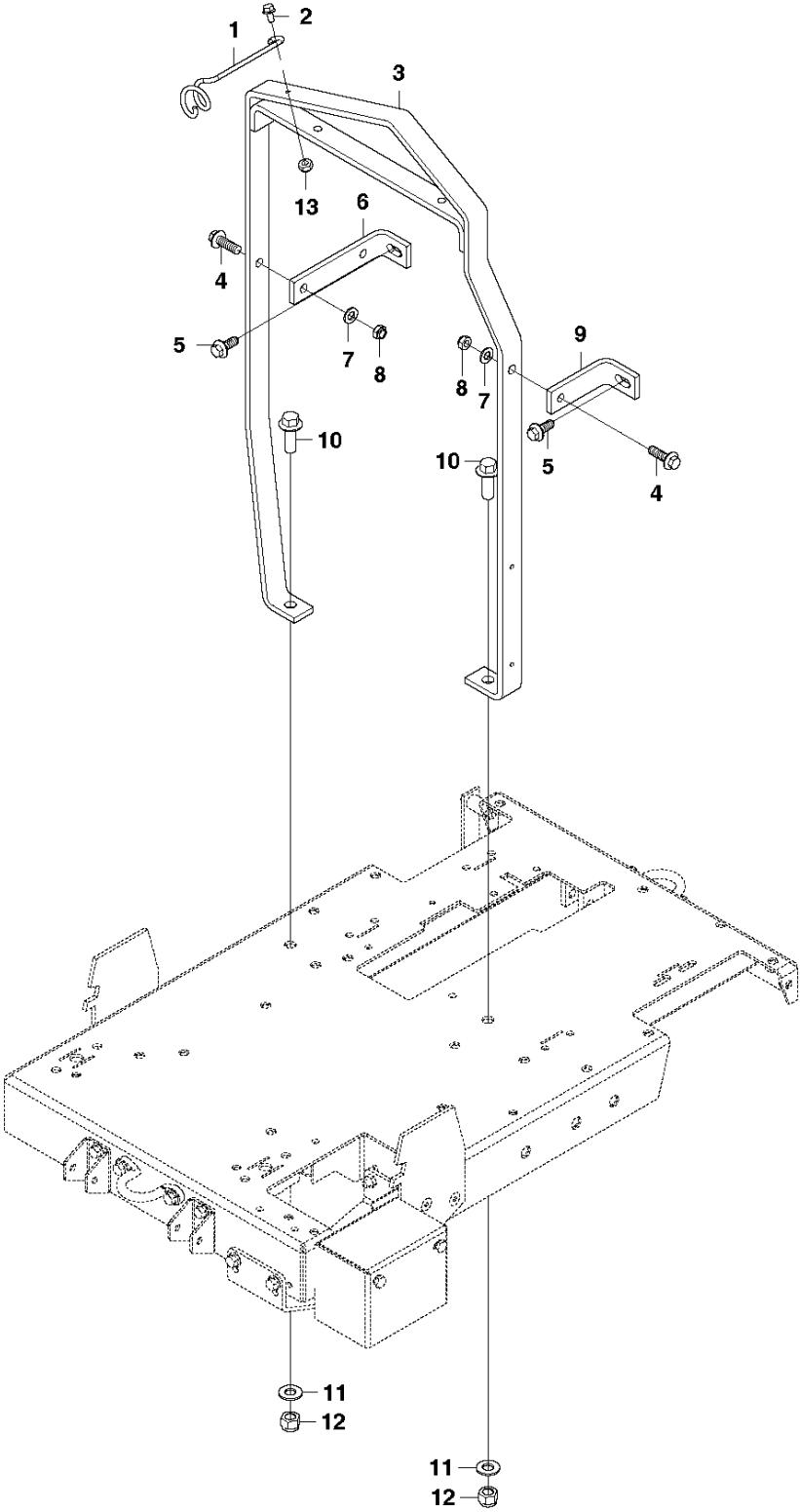


## HYDRAULICS

FS3500 G, 2018-01

Ref	Part No	Description	Remark	QTY	KIT
1	593 92 28-01	HYDRAULIC PUMP		1	
2	522 84 91-19	CAP		1	1
3	575 54 54-02	FITTING		1	1
4	585 97 52-01	SCREW EHHFM		2	1
5	522 84 91-15	SOLENOID		1	1
6	582 22 65-01	VALVE		1	1
7	522 84 91-10	COIL		1	1
8	541 20 47-34	FITTING		1	1
9	583 95 85-01	ADAPTER		1	
10	590 68 88-01	HYDRAULIC HOSE		1	
11	581 20 53-01	ADAPTER		2	
12	585 29 73-01	VALVE		1	
13	583 94 72-01	ADAPTER		3	
14	592 65 08-01	HYDRAULIC HOSE		1	
15	592 73 11-01	ADAPTER		1	
16	590 68 87-01	HYDRAULIC HOSE		2	
17	581 20 53-02	ADAPTER		1	

**L** FS3500-G  
LIFT BAIL

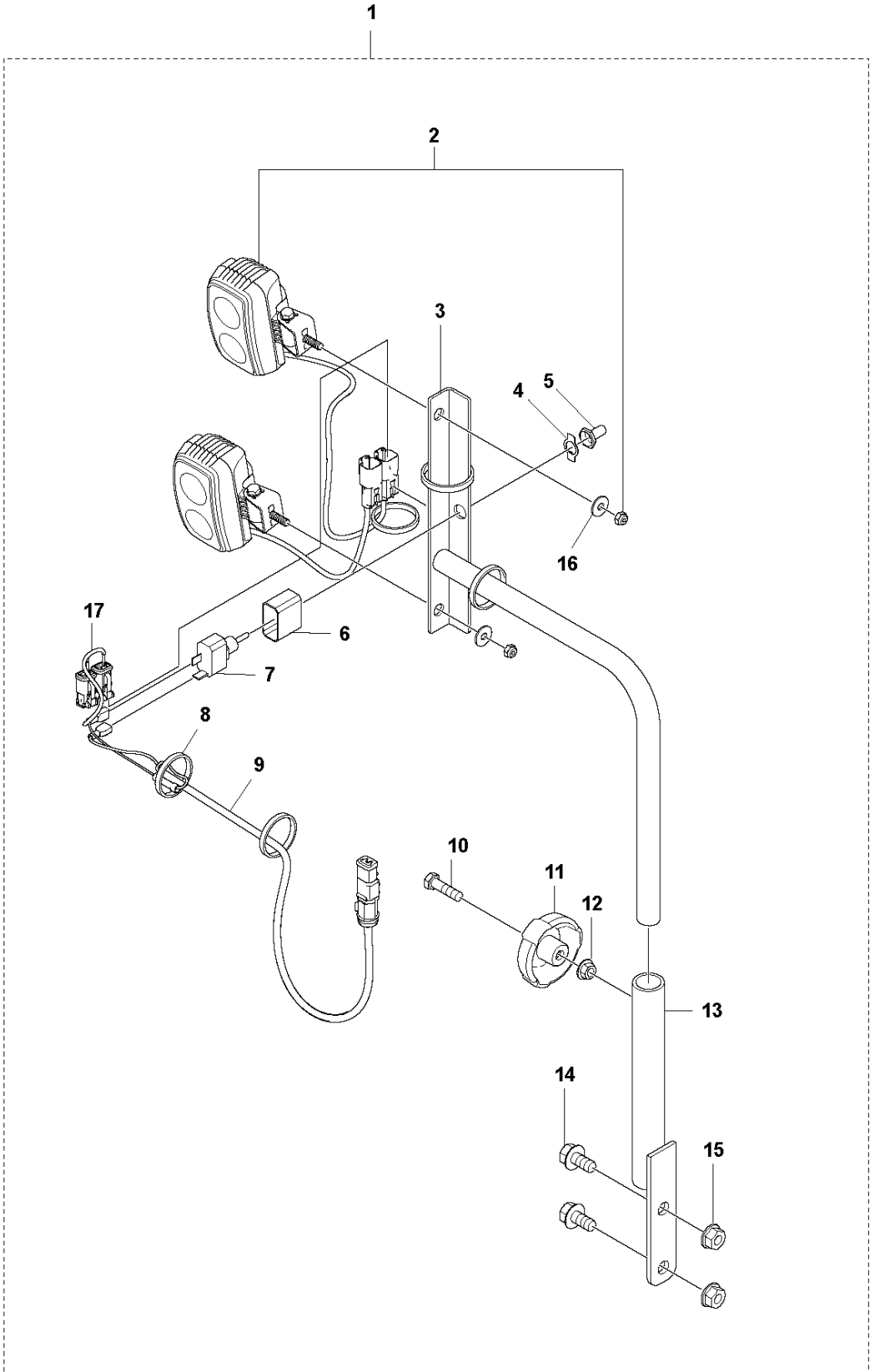


## LIFT BAIL

FS3500 G, 2018-01

Ref	Part No	Description	Remark	QTY KIT
1	505 18 91-01	BRACKET		1
2	585 97 28-01	SCREW EHHFM		1
3	588 94 21-01	BAIL		1
4	576 65 48-04	SCREW EHHFM		2
5	576 65 48-03	SCREW EHHFM		2
6	588 94 19-01	BRACE		1
7	734 11 78-01	WASHER		2
8	732 25 22-01	HEXAGON LOCKING NUT		2
9	588 94 20-01	BRACE		1
10	581 24 94-03	SCREW EHHFM		2
11	539 97 69-82	WASHER		2
12	576 87 89-28	NUT		2
13	732 25 18-01	HEXAGON LOCKING NUT		1

**M** FS3500-G  
LIGHTS CE



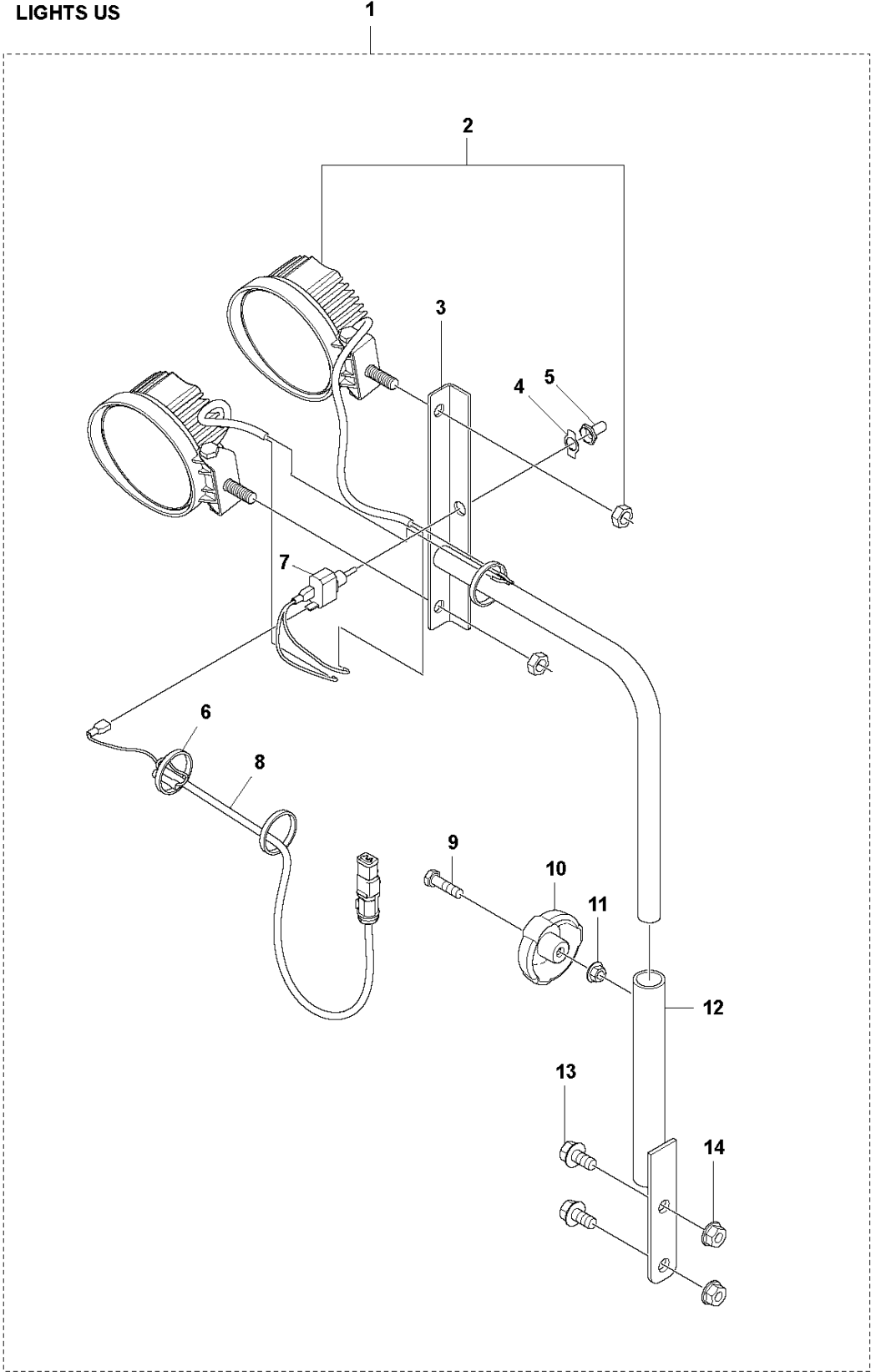


## LIGHTING KIT

FS3500 G, 2018-01

Ref	Part No	Description	Remark	QTY KIT
1	593 92 30-01	LIGHT		1
2	582 77 67-01	LIGHT		2 1
3	587 35 73-01	BRACKET		1 1
4	542 09 05-52	PLATE		1 1
5	539 30 01-13	RUBBER SHOE		1 1
6	542 19 96-49	SWITCH		1 1
7	542 19 96-48	SWITCH		1 1
8	542 16 69-06	TIE WRAP		5 1
9	592 63 38-01	HARNESS ASSY		1 1
10	725 24 55-71	SCREW EHHM		1 1
11	504 56 93-01	TURNING KNOB		1 1
12	731 71 18-51	HEXAGON NUT FLANGE		1 1
13	585 92 36-01	SUPPORT		1 1
14	585 97 52-01	SCREW EHHFM		2 1
15	731 71 20-51	HEXAGON NUT FLANGE		2
16	734 11 54-41	WASHER		2
17	589 37 82-01	WIRING ASSY		1

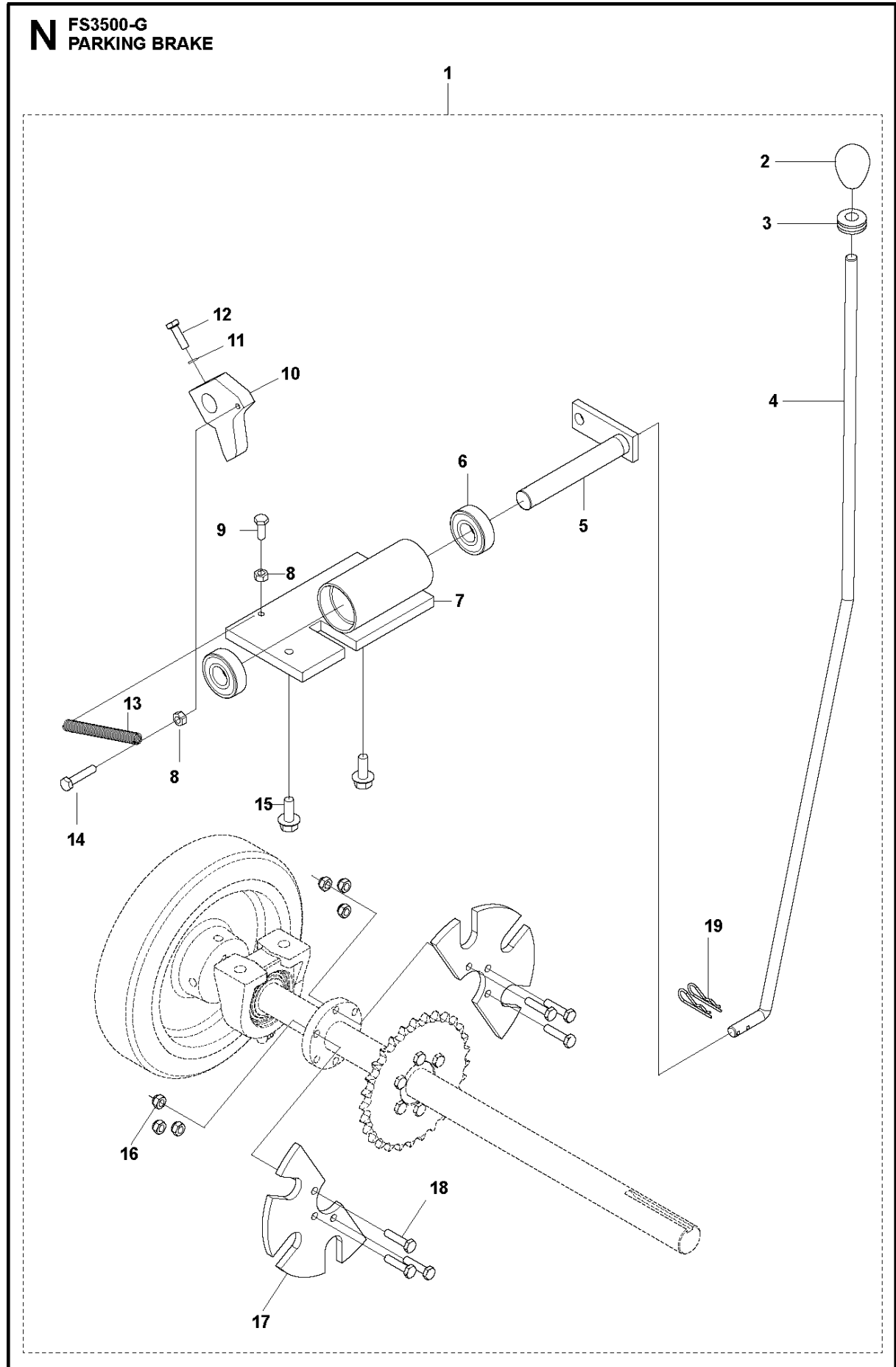
**M** FS3500-G  
LIGHTS US



## LIGHTING KIT

FS3500 G, 2018-01

Ref	Part No	Description	Remark	QTY KIT
1	593 92 29-01	LIGHT		1
2	587 36 13-01	LAMP		1 1
3	587 35 73-01	BRACKET		1 1
4	542 09 05-52	PLATE		1 1
5	539 30 01-13	RUBBER SHOE		1 1
6	542 16 69-06	TIE WRAP		3 1
7	542 19 96-48	SWITCH		1 1
8	592 63 38-01	HARNESS ASSY		1 1
9	725 24 55-71	SCREW EHHM		1 1
10	504 56 93-01	TURNING KNOB		1 1
11	731 71 18-51	HEXAGON NUT FLANGE		1 1
12	585 92 36-01	SUPPORT		1 1
13	585 97 52-01	SCREW EHHFM		2 1
14	731 71 20-51	HEXAGON NUT FLANGE		2 1

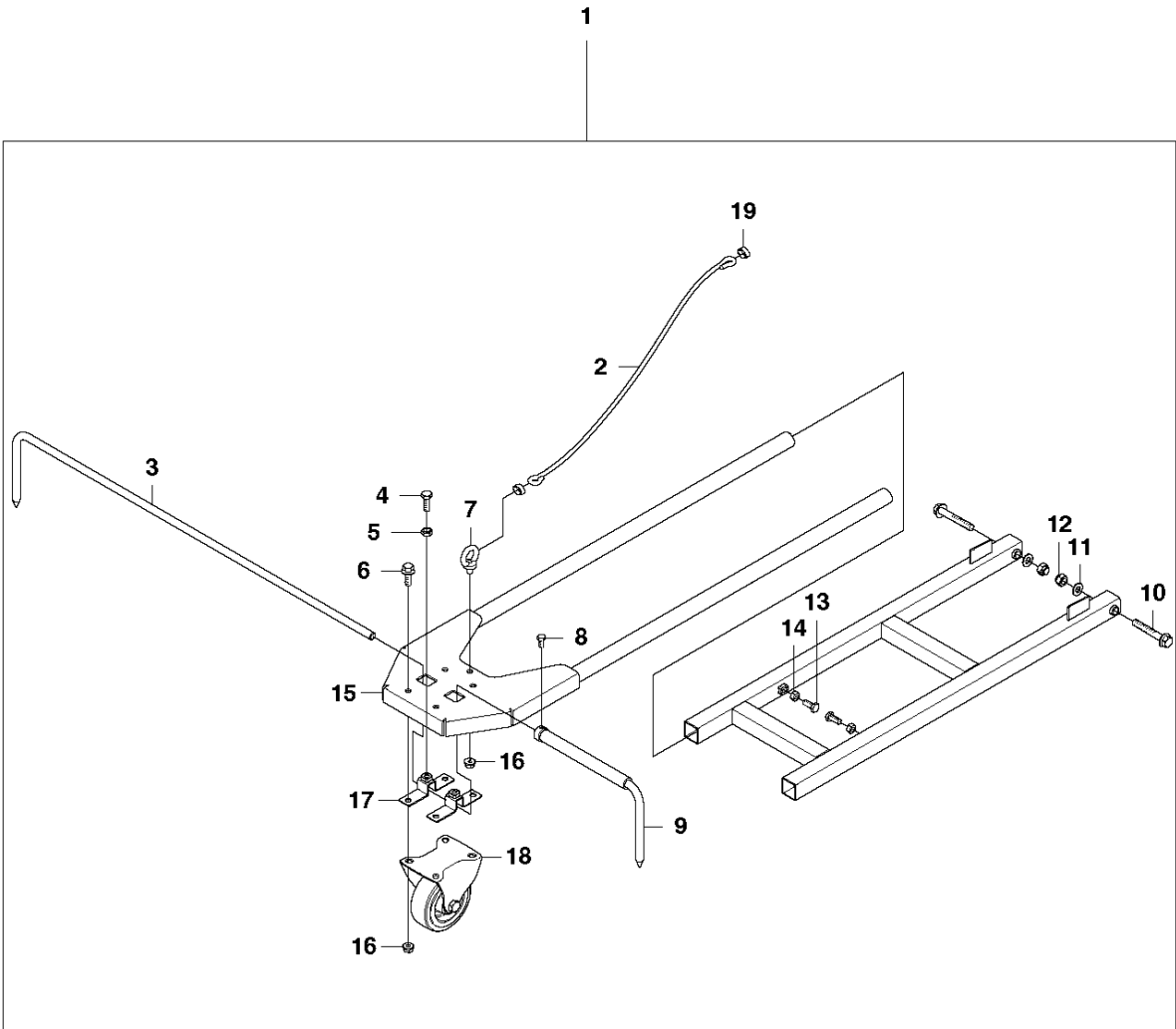


## PARKING BRAKE

FS3500 G, 2018-01

Ref	Part No	Description	Remark	QTY	KIT
1	593 92 32-01	PARKING BRAKE		1	
2	542 04 14-27	KNOB		1	1
3	542 18 13-61	GROMMET		1	1
4	589 65 75-01	ROD		1	1
5	542 18 39-79	SHAFT		1	1
6	542 07 10-81	BEARING		2	1
7	542 18 39-71	MOUNTING PLATE		1	1
8	731 23 16-01	HEXAGON NUT		2	1
9	725 23 68-71	SCREW EHHM		1	1
10	542 18 39-81	PAWL		1	1
11	735 11 53-01	WASHER		1	1
12	725 23 70-71	SCREW EHHM		1	1
13	542 16 31-88	SPRING		1	1
14	725 23 74-51	SCREW EHHM		1	1
15	725 24 49-71	SCREW EHHM		2	1
16	732 25 16-01	HEXAGON LOCKING NUT		6	1
17	542 18 39-67	BRAKE		2	1
18	725 23 72-71	SCREW EHHM		6	1
19	542 02 06-32	PIN		2	1

**FS3500-G  
POINTER FRONT**

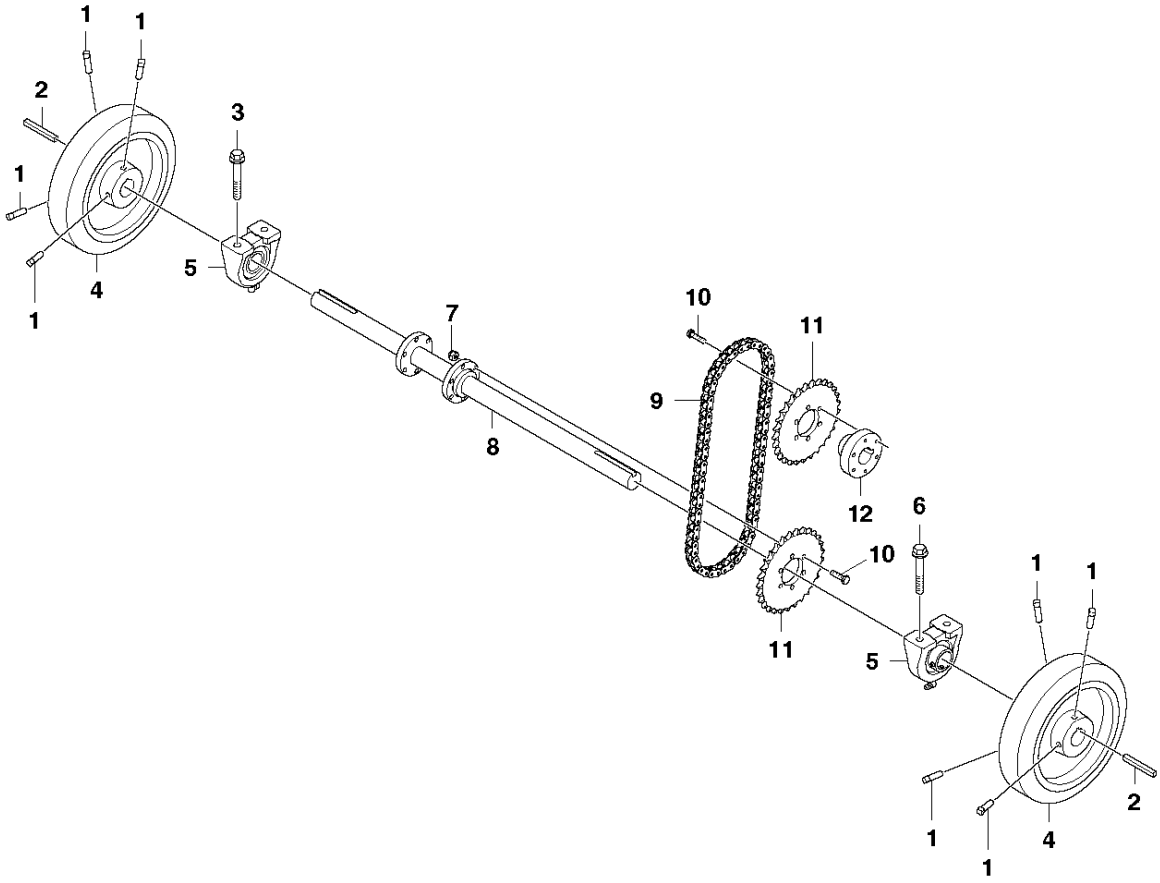


POINTER FRONT

FS3500 G, 2018-01

Ref	Part No	Description	Remark	QTY KIT	
1	586 81 49-01	POINTER		1	
2	542 02 08-90	CORD		1	1
3	581 22 26-01	ROD		1	1
4	725 24 51-71	SCREW EHHM		2	1
5	731 23 18-01	HEXAGON NUT		2	1
6	585 97 54-01	SCREW EHHFM		4	1
7	584 91 14-01	EYE BOLT		2	1
8	725 23 64-71	SCREW EHHM		1	1
9	585 89 15-01	POINTER		1	1
10	725 23 64-51	SCREW		1	1
11	734 11 72-01	WASHER		2	1
12	732 25 20-01	HEXAGON LOCKING NUT		2	1
13	581 22 21-01	POINTER		2	1
14	731 23 18-01	HEXAGON NUT		4	1
15	581 22 21-01	POINTER		1	1
16	731 71 18-51	HEXAGON NUT FLANGE		5	1
17	581 22 25-01	BRACKET		2	1
18	579 85 67-01	POINTER		1	1
19	541 20 04-67	CLAMP		2	1

**P** FS3500-G  
REAR AXLE



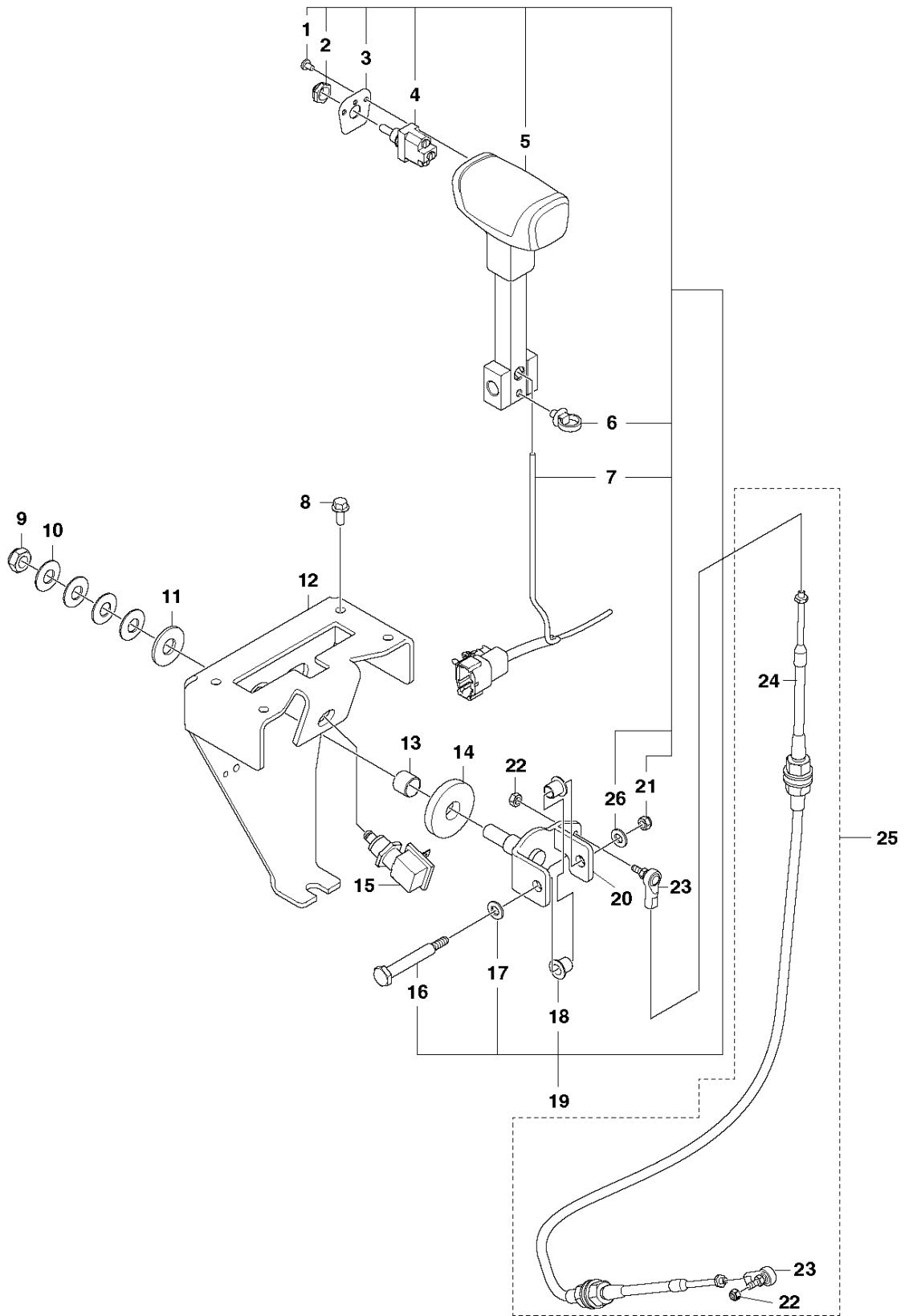


## REAR AXLE

FS3500 G, 2018-01

Ref	Part No	Description	Remark	QTY KIT
1	542 02 05-31	SCREW		8
2	523 23 39-01	KEY		2
3	588 78 58-01	SCREW EHHFM		2
4	542 04 50-90	WHEEL		2
5	542 04 52-41	BEARING		2
6	588 79 00-01	SCREW EHHFM		2
7	732 25 16-01	HEXAGON LOCKING NUT		6
8	542 18 39-87	REAR AXLE ASSY		1
9	590 09 16-01	ROLLER		1
10	725 23 72-71	SCREW EHHM		12
11	542 18 33-20	DRIVE SPROCKET		2
12	590 77 15-01	HUB		1

**Q** FS3500-G  
SPEED CONTROL

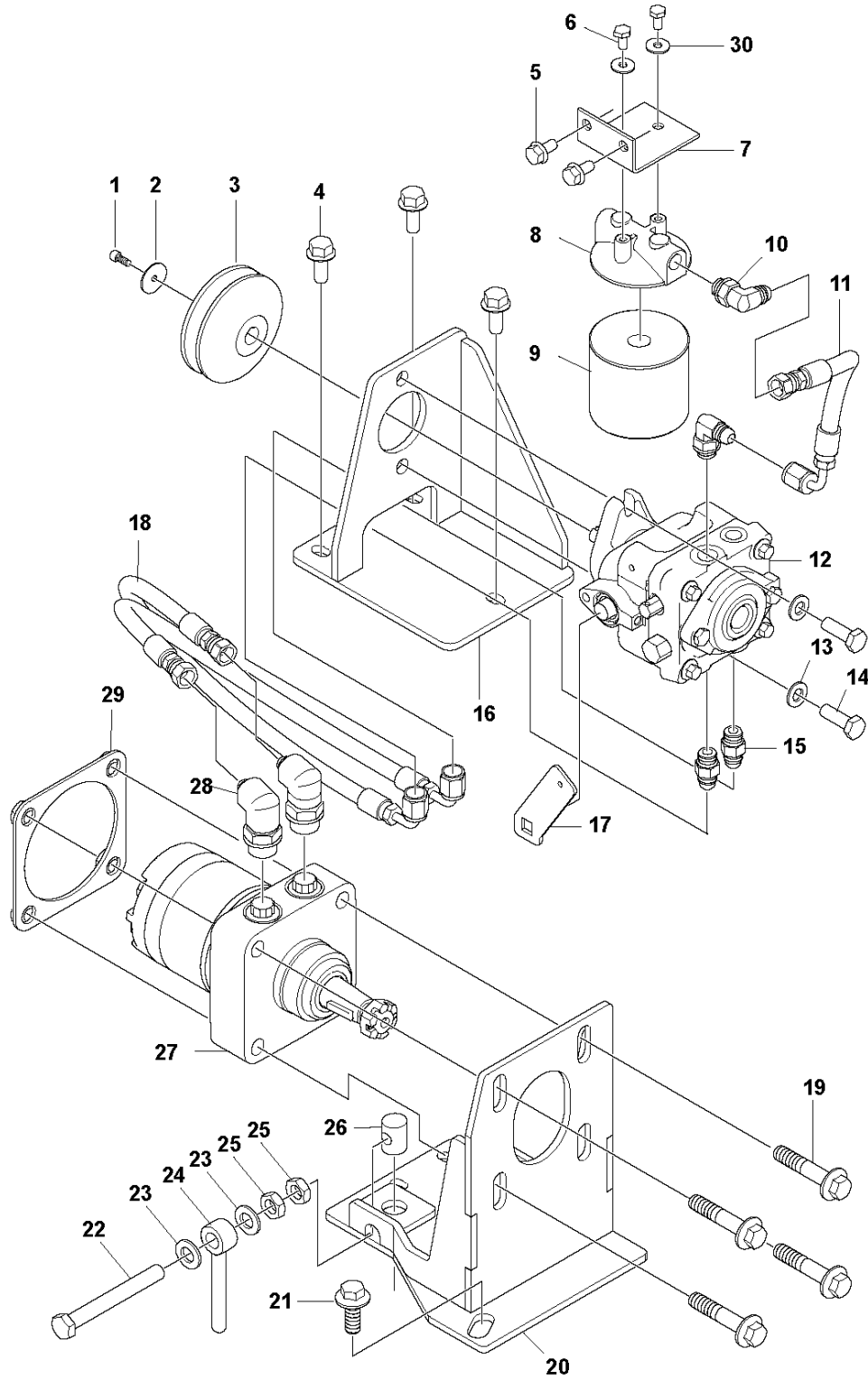


## SPEED CONTROL

FS3500 G, 2018-01

Ref	Part No	Description	Remark	QTY	KIT
1	724 12 85-51	SCREW		2	19
2	542 18 21-46	BOOT		1	19
3	581 11 85-01	PLATE		1	19
4	542 18 21-02	SWITCH		1	19
5	586 94 62-01	HANDLE		1	19
6	583 95 95-01	CLAMP		1	19
7	581 07 36-01	HARNESS ASSY		1	19
8	585 98 06-01	SCREW EHHFM		4	
9	732 25 22-01	HEXAGON LOCKING NUT		1	
10	542 18 31-24	KEY		4	
11	542 02 07-45	WASHER		1	
12	589 62 55-01	BRACKET		1	
13	581 06 89-01	BEARING BUSH		1	
14	579 42 56-01	WASHER		1	
15	542 17 63-98	SWITCH		1	
16	586 86 68-01	SCREW EHHI		1	19
17	505 72 40-01	WASHER		1	19
18	542 18 30-01	BUSHING		2	19
19	587 81 20-01	HANDLE ASSY		1	
20	589 62 02-01	ARM		1	
21	539 97 69-78	NUT		1	19
22	541 20 52-53	NUT		2	25
23	542 16 64-66	ROD		2	25
24	590 09 26-01	CABLE		1	25
25	593 92 34-01	CABLE ASSY		1	
26	734 11 63-01	WASHER		1	19

**R** FS3500-G  
TRANSMISSION

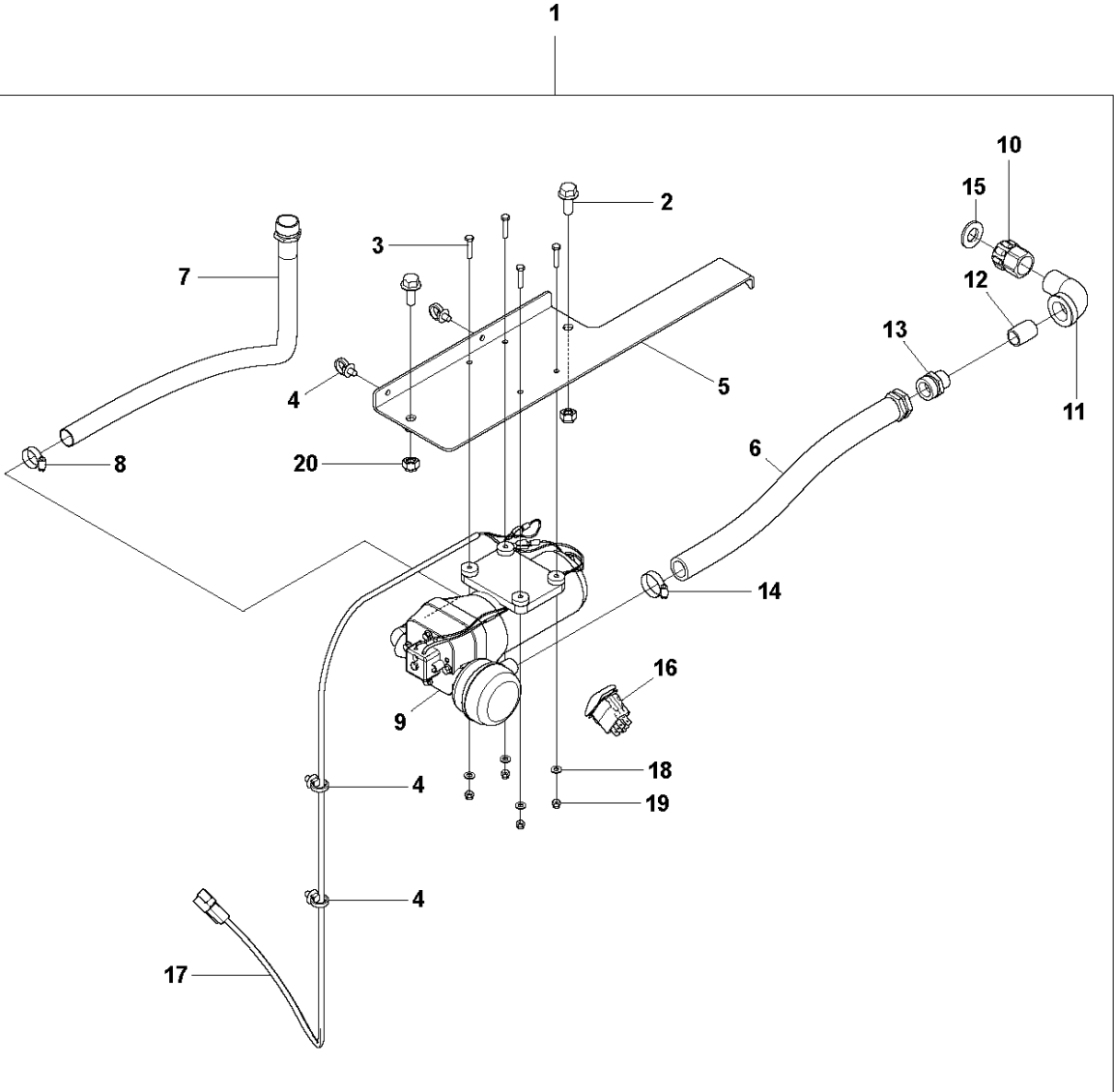


## TRANSMISSION

FS3500 G, 2018-01

Ref	Part No	Description	Remark	QTY KIT
1	505 72 96-01	BOLT		1
2	505 72 48-01	WASHER		1
3	582 89 15-01	PULLEY		1
4	585 97 31-01	SCREW EHHFM		3
5	585 97 56-01	SCREW EHHFM		2
6	542 02 03-01	SCREW		2
7	589 70 92-01	PLATE		1
8	542 16 64-48	FILTER		1
9	542 16 64-49	FILTER		1
10	583 94 72-01	ADAPTER		2
11	590 68 87-01	HYDRAULIC HOSE		1
12	590 86 87-01	HYDRAULIC PUMP		1
13	734 11 72-01	WASHER		2
14	725 24 95-71	SCREW EHHM		2
15	581 20 53-01	ADAPTER		2
16	582 88 68-01	BRACKET		1
17	589 70 91-01	PLATE		1
18	590 68 88-01	HYDRAULIC HOSE		2
19	576 65 48-06	SCREW EHHFM		4
20	589 89 92-01	BRACKET		1
21	576 65 48-03	SCREW EHHFM		1
22	725 25 52-71	SCREW		1
23	734 11 78-01	WASHER		2
24	542 16 31-32	LEVER		1
25	542 17 30-10	NUT		2
26	542 16 77-20	PIVOT		1
27	590 48 94-01	HYDRAULIC MOTOR		1
28	541 20 47-65	ADAPTER		2
29	590 09 57-01	PLATE		1
30	734 11 54-41	WASHER		2

**S** FS3500-G  
WATER PUMP

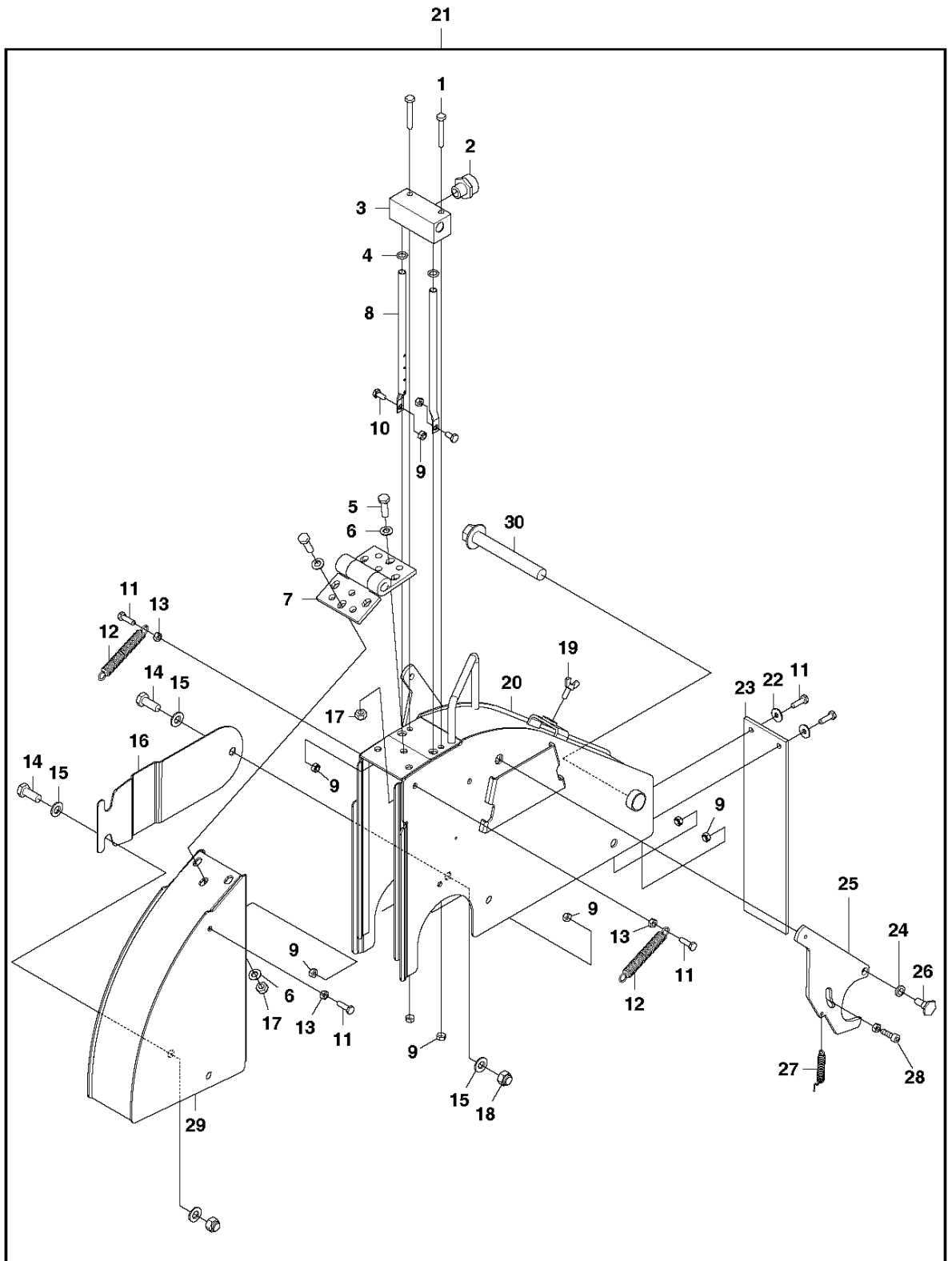


## WATER PUMP

FS3500 G, 2018-01

Ref	Part No	Description	Remark	QTY	KIT
1	593 92 35-01	WATER PUMP		1	
2	585 97 31-01	SCREW EHHFM		2	1
3	725 23 33-71	SCREW EHHM		4	1
4	583 95 95-01	CLAMP		4	1
5	501 67 10-01	BRACKET		1	1
6	542 19 96-58	HOSE		1	1
7	542 19 96-57	HOSE		1	1
8	576 31 52-05	HOSE CLAMP		1	1
9	582 34 55-01	WATER PUMP		1	1
10	541 20 46-61	CONNECTION		1	1
11	541 20 45-91	PIPE		1	1
12	542 02 02-96	TUBE		1	1
13	542 17 86-87	CONNECTOR		1	1
14	539 30 00-11	HOSE CLAMP		1	1
15	542 04 56-40	WASHER		1	1
16	589 66 90-01	TOGGLE SWITCH		1	1
17	501 80 72-01	WIRING HARNESS		1	1
18	734 11 46-01	WASHER		4	1
19	732 25 14-01	HEXAGON LOCKING NUT		4	1
20	732 25 20-01	HEXAGON LOCKING NUT		2	1

**T** FS3500-G  
Blade Guard 20"



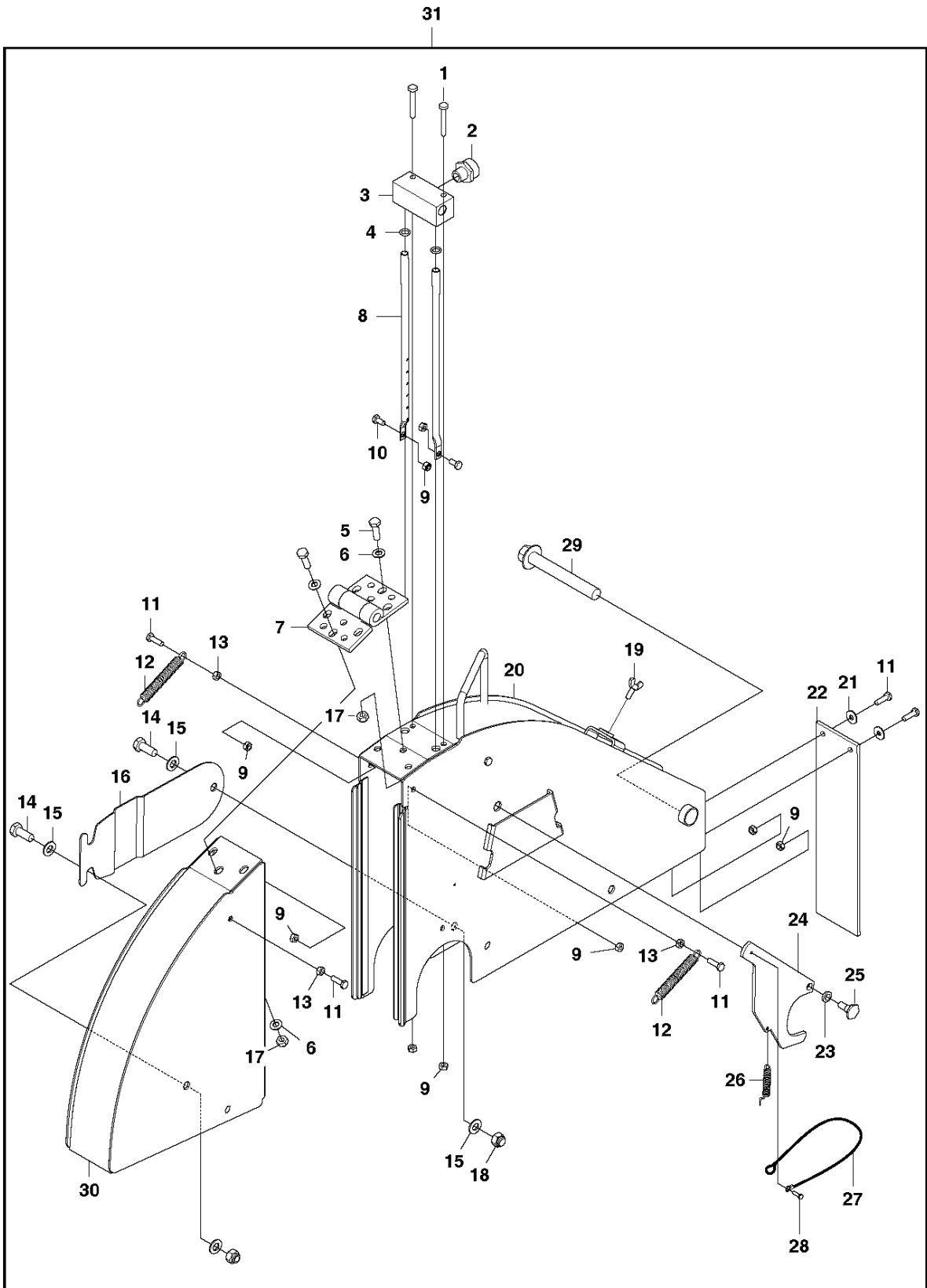


## BLADE GUARD

FS3500 G, 2018-01

Ref	Part No	Description	Remark	QTY	KIT
1	725 23 79-51	SCREW EHHM		2	21
2	541 20 82-96	HYDRAULIC KIT		1	21
3	501 04 73-01	MANIFOLD		1	21
4	542 16 91-57	O-RING		2	21
5	725 24 53-76	SCREW EHHM		6	21
6	734 11 63-01	WASHER		9	21
7	590 34 44-01	HINGE		1	21
8	504 85 81-01	TUBE		2	21
9	732 25 16-01	HEXAGON LOCKING NUT		12	21
10	725 23 68-71	SCREW EHHM		2	21
11	725 23 70-71	SCREW EHHM		6	21
12	542 19 91-28	SPRING		2	21
13	731 23 16-01	HEXAGON NUT		4	21
14	725 24 93-71	SCREW EHHM		3	21
15	734 11 72-01	WASHER		6	21
16	542 20 33-35	COVER		1	21
17	732 25 18-01	HEXAGON LOCKING NUT		6	21
18	732 25 20-01	HEXAGON LOCKING NUT		3	21
19	542 19 71-70	WING BOLT		1	21
20	504 87 17-01	BLADE GUARD		1	21
21	593 93 75-01	BLADE GUARD	"20"" US"	1	
21	593 93 76-01	BLADE GUARD	"20"" CE"	1	
22	734 11 54-41	WASHER		2	21
23	542 20 32-98	GUARD		1	21
24	542 04 61-01	WASHER		2	21
25	541 20 83-57	LATCH		2	21
26	542 16 75-03	BOLT		2	21
27	541 20 83-45	SPRING		2	21
28	725 53 66-01	SCREW IHSCM		2	21
29	504 87 16-01	BLADE GUARD		1	21
30	581 24 94-05	SCREW EHHFM		1	21

**X** FS3500-G  
Blade Guard 26" - 30"

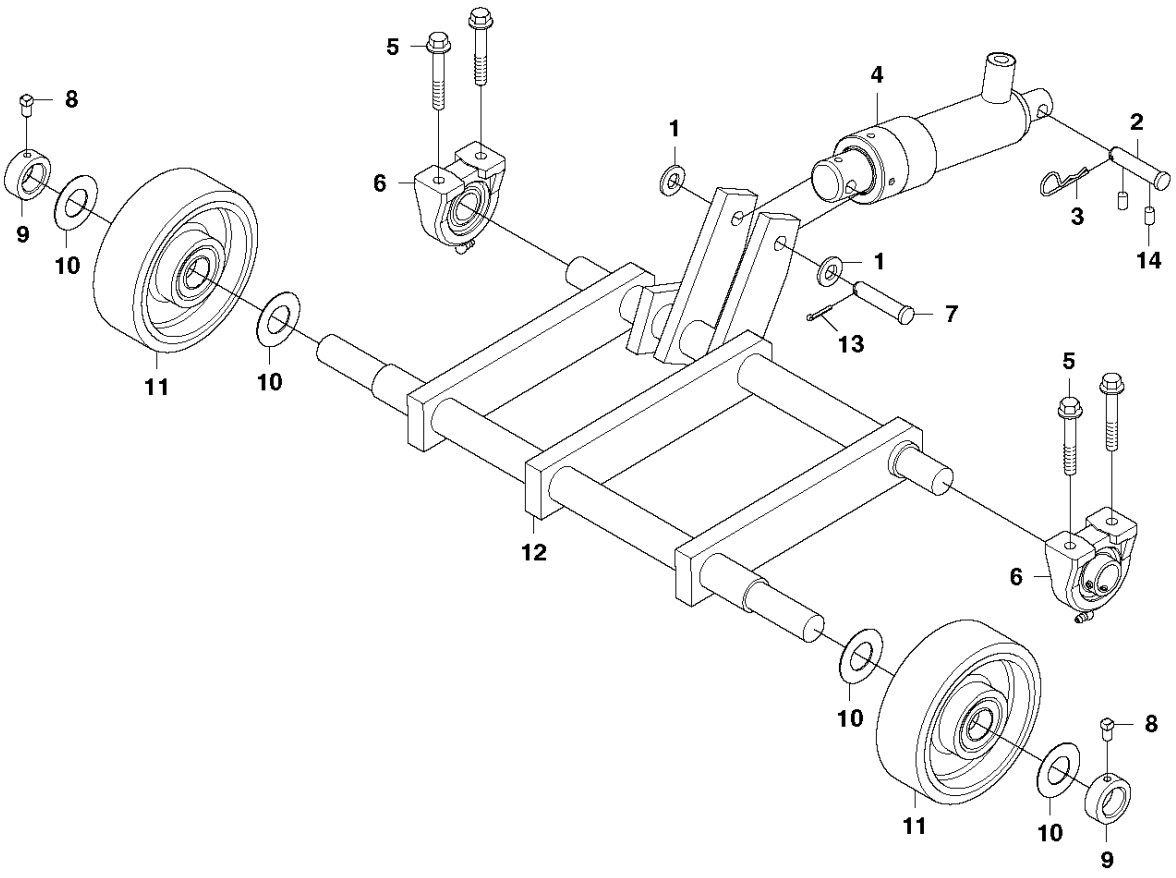


## BLADE GUARD

FS3500 G, 2018-01

Ref	Part No	Description	Remark	QTY	KIT
1	725 23 79-51	SCREW EHHM		2	31
2	541 20 82-96	HYDRAULIC KIT		1	31
3	501 04 73-01	MANIFOLD		1	31
4	542 16 91-57	O-RING		2	31
5	725 24 53-76	SCREW EHHM		6	31
6	734 11 63-01	WASHER		9	31
7	590 34 44-01	HINGE		1	31
8	501 04 68-02	TUBE	"26""	2	31
8	501 04 70-02	TUBE	"30""	2	31
9	732 25 16-01	HEXAGON LOCKING NUT		12	31
10	725 23 68-71	SCREW EHHM		2	31
11	725 23 70-71	SCREW EHHM		6	31
12	542 19 91-28	SPRING		2	31
13	731 23 16-01	HEXAGON NUT		4	31
14	725 24 93-71	SCREW EHHM		3	31
15	734 11 72-01	WASHER		6	31
16	542 20 33-35	COVER		1	31
17	732 25 18-01	HEXAGON LOCKING NUT		6	31
18	732 25 20-01	HEXAGON LOCKING NUT		3	31
19	542 19 71-70	WING BOLT		1	31
20	542 20 32-58	BLADE GUARD	"26""	1	31
20	542 20 32-97	BLADE GUARD	"30""	1	31
21	734 11 54-41	WASHER		2	31
22	542 20 32-98	GUARD		1	31
23	542 04 61-01	WASHER		2	31
24	542 16 68-16	LATCH		2	31
25	542 16 75-03	BOLT		2	31
26	541 20 83-45	SPRING		2	31
27	542 18 39-98	WIRE		2	31
28	542 18 39-99	SCREW		2	31
29	581 24 94-05	SCREW EHHFM		1	31
30	542 20 32-64	BLADE GUARD	"26""	1	31
30	542 20 33-03	BLADE GUARD	"30""	1	31
31	593 93 77-01	BLADE GUARD	"26"" US"	1	
31	593 93 78-01	BLADE GUARD	"26"" CE"	1	
31	593 93 79-01	BLADE GUARD	"30"" US"	1	
31	593 93 80-01	BLADE GUARD	"30"" CE"	1	

**V** FS3500-G  
FRONT AXLE



## FRONT AXEL

FS3500 G, 2018-01

Ref	Part No	Description	Remark	QTY KIT
1	539 99 02-50	WASHER		2
2	542 17 66-99	PIN		1
3	576 87 89-29	PEN		1
4	588 78 97-01	HYDRAULIC CYLINDER		1
5	588 78 58-01	SCREW EHHFM		4
6	542 04 52-41	BEARING		2
7	542 17 67-00	PIN		1
8	542 02 05-39	SCREW		2
9	539 30 01-23	BUSHING		2
10	542 04 64-02	WASHER		4
11	590 64 98-01	WHEEL		2
12	542 16 39-69	FRONT AXLE ASSY		1
13	542 02 06-14	PIN		1
14	542 02 05-41	KEY		2

**Y FS3500-G DECALS**

**1** Husqvarna

**2** Husqvarna

**3** FS 3500 G

**4**

**5**

**6** Z

**7** Control By One Or More Of The Following U.S. States: Alaska, Arizona, California, Colorado, Connecticut, Delaware, Florida, Georgia, Idaho, Illinois, Indiana, Iowa, Kansas, Kentucky, Louisiana, Maine, Maryland, Massachusetts, Michigan, Minnesota, Missouri, Montana, Nebraska, Nevada, New Hampshire, New Jersey, New Mexico, New York, North Carolina, North Dakota, Ohio, Oklahoma, Oregon, Pennsylvania, Rhode Island, South Carolina, South Dakota, Tennessee, Texas, Utah, Vermont, Virginia, Washington, West Virginia, Wisconsin, Wyoming.

**8**

**9** LWA 110 dB

**10**

**11** WARNING ADVERTENCIA

**12** WARNING

**12** WARNING

**13** POSITIVE DEPTH STOP

**14** WARNING

DO NOT use a larger size blade guard without changing to the correct belt drive! Failure to comply could result in injury or death!

¡NO use un protector de hoja de mayor tamaño sin cambiar el mando de correa correcto!

!De no cumplirse esto se pueden producir lesiones graves o mortales!

NE PAS utiliser une protection de disque de plus grande taille sans changer en même temps la courroie d'entraînement ! Toute négligence à cet égard pourrait causer des blessures graves, voire mortelles !

Bei Verwendung einer größeren Stichtabdeckung MÜSST der entsprechende Antriebsriemen installiert werden! Andernfalls besteht Verletzungs- oder Lebensgefahr!

Gebrauk OEFN größere bladeschutz zonder de aandrijfriem aan te passen! Indien dit niet wordt nageliefd, zou dit tot een letsel of de dood kunnen leiden!

NON usare un riparo del disco di dimensioni più grandi senza cambiare anche la trasmissione del disco o nella misura corretta! L'inosservanza di questa istruzione può causare infortuni o la morte!

A VARNING INTE ett bladeskydd som är större utan att byta till rätt drivrem!

Försumma se att följa dessa regler kan leda till skador eller död!

NEŮ usez protectores de lmina de tamanho maior sem mudar para o acionamento por corria correta! A nŮo observncia pode provocar lesŮes corporais ou morte. Consultar o Manual de OperaŮo.

**15** →

**16** WARNING

DO NOT CHANGE TO A LARGER BLADE GUARD SIZE WITHOUT CHANGING TO PROPER BELT DRIVE. ENGINE SPEED AND SLIC FLANGES FAILURE TO COMPLY COULD RESULT IN DEATH OR SERIOUS SOULTY INJURY. SEE OPERATOR'S MANUAL FOR INSTRUCTIONS. IF YOU DO NOT HAVE AN OPERATOR'S MANUAL, CALL TOLL FREE 800-828-6840

**17** 20" (500mm)

**18** 26" (650mm)

**19** 30" (750mm)

**20**

**21**

## DECALS

FS3500 G, 2018-01

Ref	Part No	Description	Remark	QTY KIT
1	585 29 48-01	DECAL		2
2	590 91 30-01	DECAL	CE only	1
2	590 68 96-01	DECAL	US only	1
3	579 68 09-01	DECAL		2
4	590 68 97-01	DECAL		1
5	590 68 98-01	DECAL		1
6	590 68 99-01	DECAL		1
7	542 18 04-27	DECAL	US only	1
8	586 46 75-01	DECAL	CE only	1
9	579 68 22-01	DECAL	CE only	1
10	582 10 32-01	DECAL		1
11	542 17 62-23	DECAL	US only	2
12	585 37 06-01	DECAL	CE only	1
12	542 16 90-65	DECAL	US only	1
13	542 16 32-33	DECAL	US only	1
14	542 16 72-98	DECAL		1
15	542 16 39-86	DECAL		1
16	542 04 61-28	DECAL	US only	1
17	586 30 75-01	DECAL		1
18	586 30 76-01	DECAL		1
19	586 30 77-01	DECAL		1
20	525 51 27-01	STICKER		1
21	589 37 02-01	DECAL	CE only	1