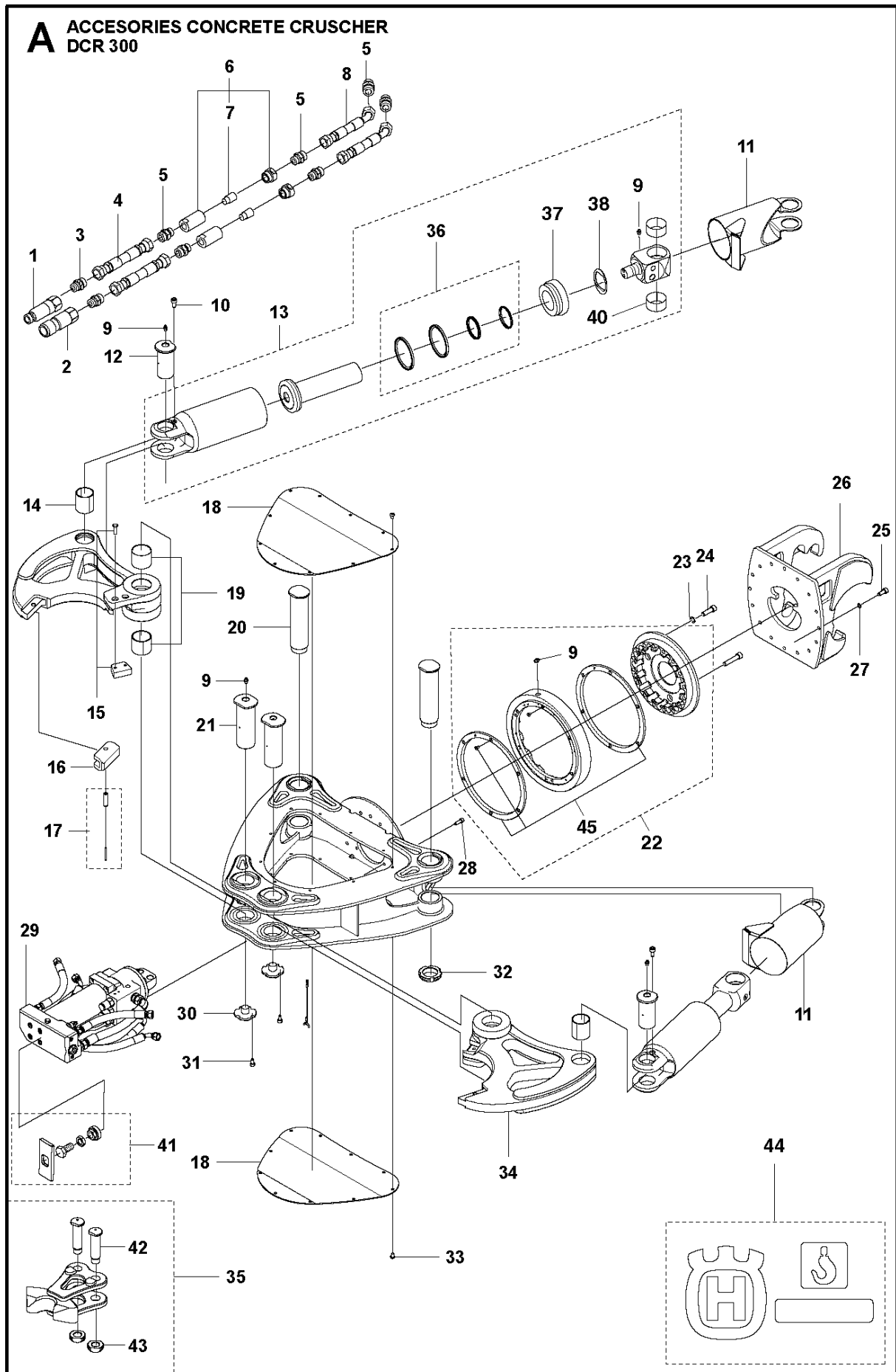




SPARE PARTS LIST

ACCESSORIES AND TOOLS

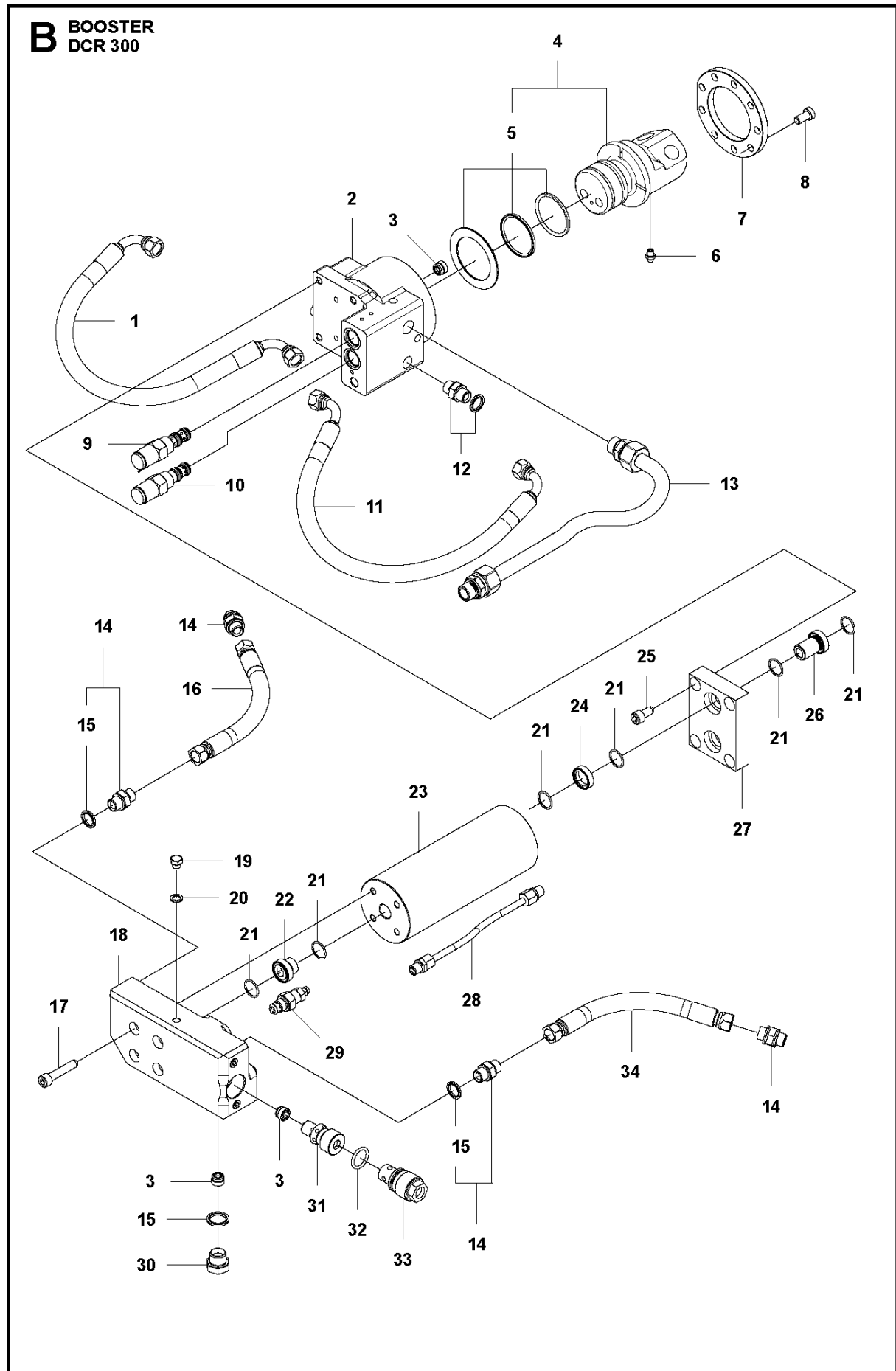
DCR300, from serial number DCR300010,
2011-11



ACCESORIES CONCRETE CRUSCHER

DCR300, from serial number DCR300010, 2011-11

Ref	Part No	Description	Remark	QTY	KIT
1	510 26 80-01	QUICK COUPLING		1	
2	510 26 81-01	QUICK COUPLING		1	
3	510 26 46-01	ADAPTER		4	
4	585 48 53-09	HOSE ASSY		2	
5	589 01 71-01	ADAPTER		6	
6	588 02 96-01	FILTER		2	
7	588 02 97-01	FILTER		1	6
8	585 54 27-03	HOSE ASSY		2	
9	579 00 98-01	LUBRICATION NIPPLE		7	
10	725 54 91-01	SCREW IHSCM		2	
11	579 01 01-01	CYLINDER COVER		2	
12	579 00 97-01	SHAFT		2	
13	579 00 96-01	CYLINDER		2	
14	579 00 95-01	BUSHING		2	
15	579 00 93-01	CUTTER		2	
16	579 01 85-01	CRUSHER TIP		2	
17	579 06 47-01	SPRING PIN		2	18
18	579 01 00-01	COVER PLATE		1	
19	579 00 94-01	BUSHING		2	
20	579 01 04-01	SHAFT		2	
21	579 01 02-02	SHAFT		2	
22	579 01 08-01	BEARING		1	
23	586 47 94-01	WASHER		16	
24	579 02 64-01	SCREW IHSCM		16	
26	589 97 23-01	ADAPTER PLATE		1	
25	725 54 93-01	SCREW IHSCM		16	
27	734 11 72-01	WASHER		16	
28	725 54 53-01	SCREW IHSCM	Valid for serial number 300001 - 300110	4	
28	725 54 93-01	SCREW IHSCM	Valid for serial number 300111 and forward	4	
29	590 02 16-01	BOOSTER		1	
30	579 01 03-01	NUT		2	
31	579 02 58-01	SCREW IHSCM		2	
32	579 01 05-01	NUT		2	
33	586 47 89-01	SCREW		20	
34	579 01 88-01	JAW		2	
35	579 02 65-01	CRUSHER TIP		2	
36	579 00 99-01	SEALING		1	
43	595 89 68-01	PIN		1	35
42	595 89 72-01	THREAD INSERT		1	35
44	592 65 87-01	STICKER		1	
41	588 19 57-01	HOLDER		1	
	586 42 78-01	BEARING KIT		1	
38	501 74 53-01	LOCKING RING		1	
37	501 74 58-01	GABLE		1	
40	588 40 69-01	BUSHING		1	
45	586 42 78-01	BEARING KIT		1	22



BOOSTER

DCR300, from serial number DCR300010, 2011-11

Ref	Part No	Description	Remark	QTY	KIT
1	579 02 10-01	HOSE		1	
2	579 02 24-01	MANIFOLD		1	
3	579 01 96-01	CHECK VALVE		3	
4	590 01 44-01	SWIVEL		1	
5	579 02 25-01	SLIDE RING		1	4
6	579 01 96-01	CHECK VALVE		1	
7	579 02 28-01	SWIVEL BRACKET		1	
8	579 04 23-01	SCREW		9	
9	579 02 22-01	VALVE	Pressure Reducing valve 200 bar	1	
10	579 02 20-01	VALVE	Sequence valve 180 bar	1	
11	579 02 11-01	HOSE		1	
12	579 04 90-01	ADAPTER		4	
13	579 02 67-01	PIPE		1	
14	579 02 15-01	ADAPTER		4	
15	579 01 91-01	SEALING		9	14
16	579 02 08-01	HOSE		1	
17	579 04 24-01	SCREW IHSCM		4	
18	579 01 10-01	MANIFOLD		1	
19	579 09 87-01	PLUG		5	
20	579 09 88-01	SEALING		5	
21	579 01 99-01	O-RING		10	
22	579 02 12-01	ADAPTER		1	
23	579 02 17-01	BOOSTER		1	
24	579 02 16-01	SUPPORT RING		2	
25	725 54 91-01	SCREW IHSCM		4	
26	579 02 19-01	ADAPTER		2	
27	579 02 18-01	ADAPTER PLATE		1	
28	579 02 14-01	PIPE		1	
29	579 02 13-01	VALVE	Pressure Relief Valve 520 bar	1	
30	579 01 92-01	PLUG		1	
31	579 01 93-01	CHECK VALVE		1	
32	579 01 98-01	O-RING		1	
33	579 03 77-01	PLUG		1	
34	579 02 09-01	HOSE		1	