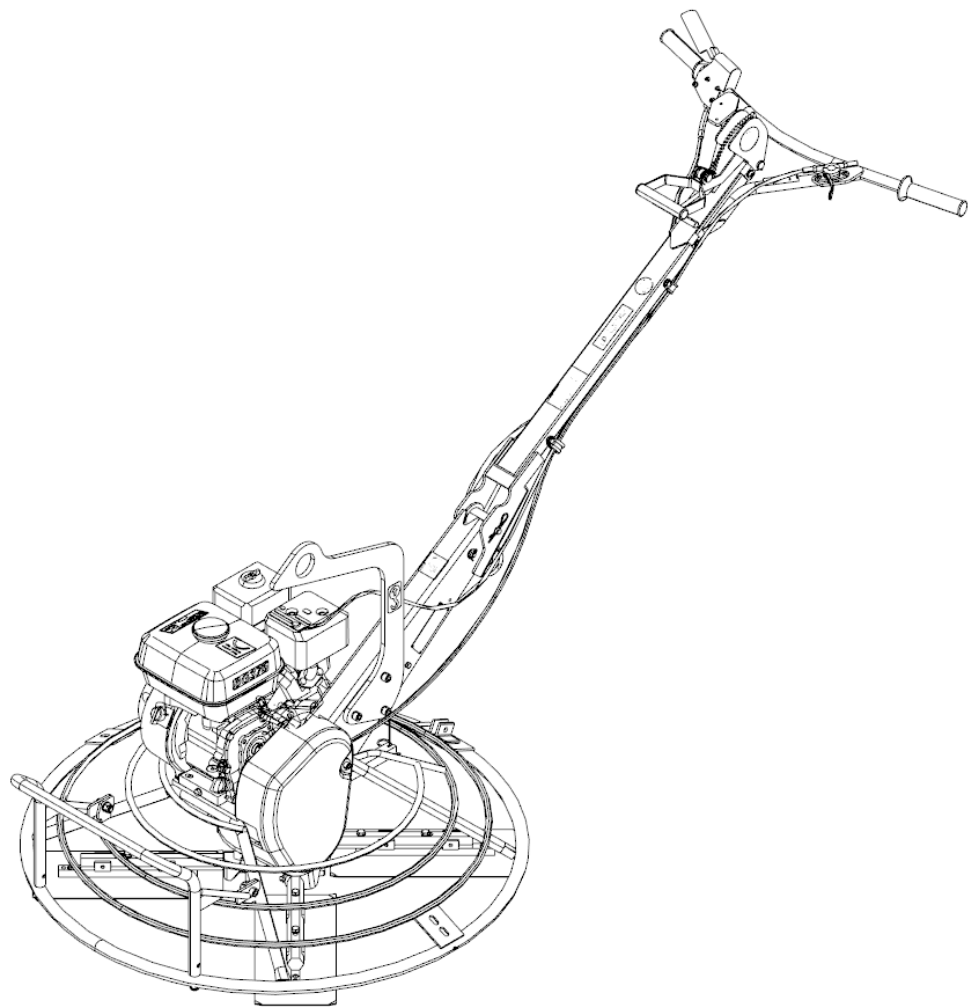


BG 375

Spare parts list: Trowel

BG 375 H6 L BC TP



General information

This spare parts list applies to the following:

Part number	Description
967929001	BG 375 H6 L BC TP

Use only authorized parts. Any damage or malfunction caused by the use of Unauthorized parts are not covered by Warranty or Product Liability. Any unauthorized use or copying of the contents or any part thereof is Prohibited. This applies in particular to trademarks, model denominations, part numbers, and drawings.

Instructions for use

This spare parts list contains no safety regulations and is merely intended to assist in the ordering of spare parts.

For information about operating, servicing, or repairing, the relevant Safety and operating instructions must be consulted at all costs.

Please observe the safety instructions listed in the relevant Safety and operating instructions!

Mechanical

BG 375H6 L BC TP 1
Blade assembly 3
Engine 5
Handle Assembly 7
Clutch and pulley 9
Clutch Cpl 11
Module shoulder kit 13
Lifting beam 15

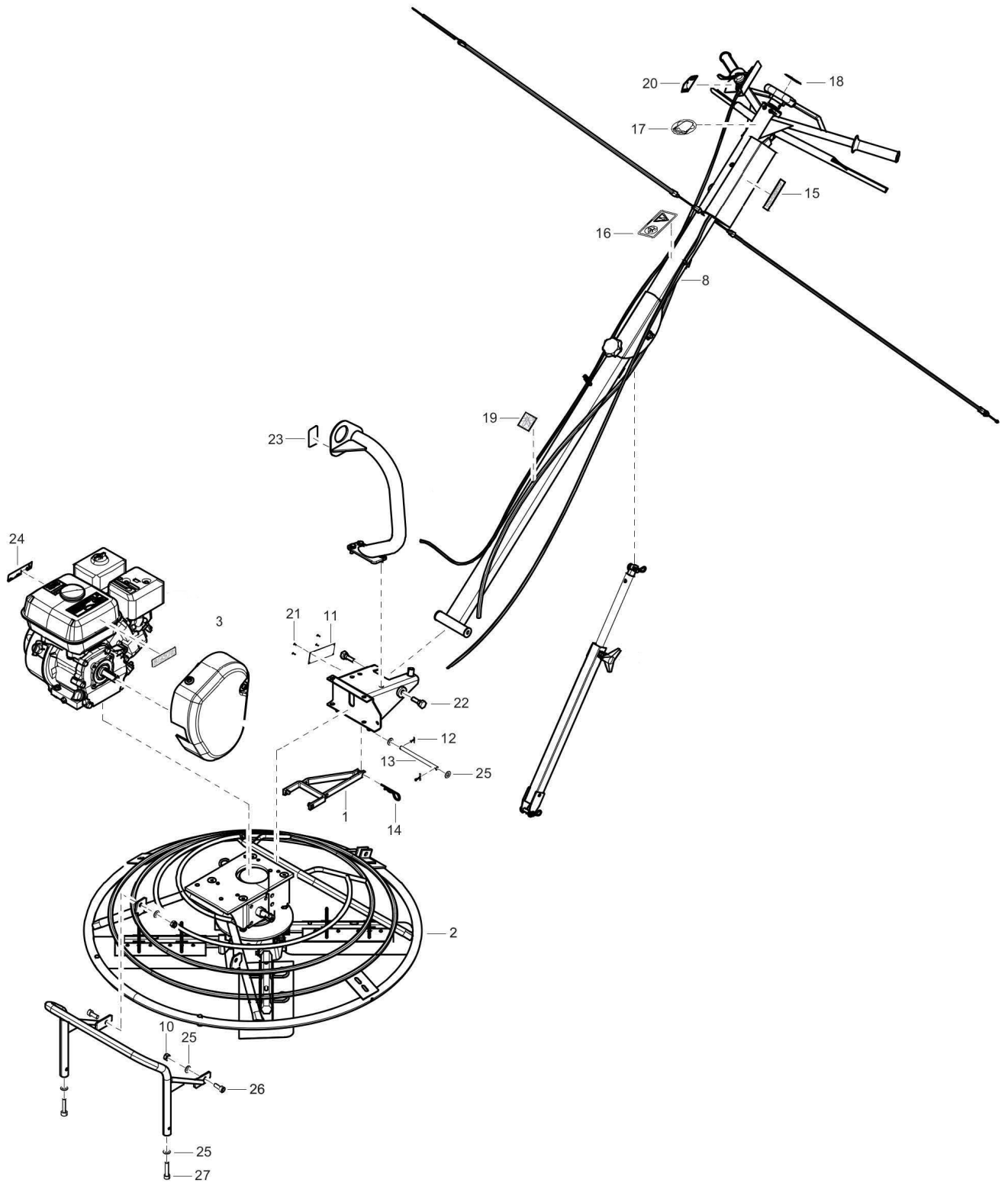
Accessories

Consumables 17

Kits

Service kit, Honda GX 160 19
Maintenance kit, Honda GX 160 and 200, short handle 21
Transport device kit 23
Gear box seal kit 25

Mechanical BG 375H6 L BC TP

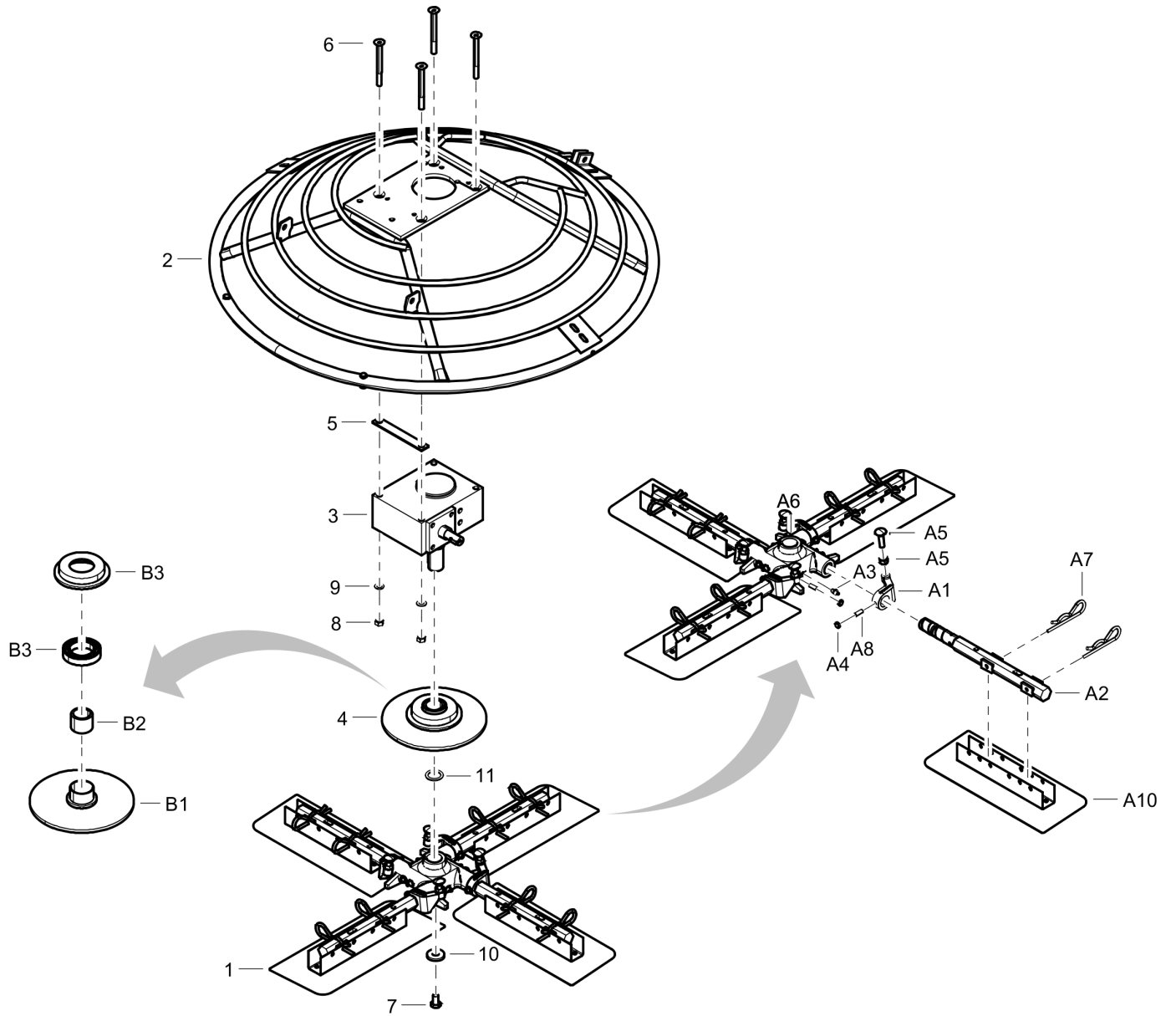


Refer to the Parts Online web page for most up-to-date information. The printed information might be outdated.

Item	Part No.	Name	Qty	L
1	594242501	Fork	1	
2	-	Cage modular f900 quickstop	1	
3	-	Module belt gx 160/200	1	
4	596865713	Handle bracket	1	
7	595210601	Console pipe bg375 ac gray	1	
8	596865987	Module - long handle kit	1	
10	594122901	Locknut	2	
11	595361001	Data plate	1	
12	594117301	Split pin, 3.2 x 28 mm, (0.13 x 1.10 ".)	2	
13	596865717	Clevis pin	1	
14	594117501	Locking clip	1	
15	595119101	Decal quick stop	1	
16	594869701	Decal safety	1	
17	594337101	Label, use ear protectors	1	
18	594245801	Decal blade angle	1	
19	594163001	Label, cutting hazards	1	
20	594246801	Label, stop-run	1	
21	595344001	Blind rivet	4	
22	596865793	Screw	2	
23	594332101	Decal	1	
24	595498701	Decal BG375	2	
25	595113301	Washer plain	2	
26	595111301	Paraf.allen	2	
27	595212401	Hex Sock screw M10X40mm, (1.57")	2	

Refer to the Parts Online web page for most up-to-date information. The printed information might be outdated.

Mechanical Blade assembly

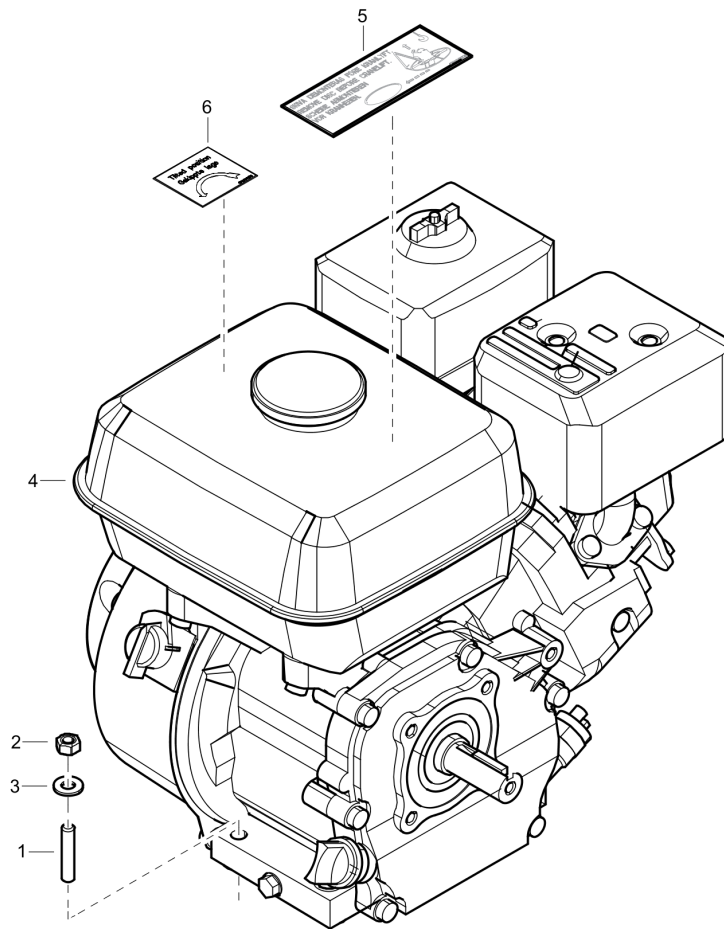


Refer to the Parts Online web page for most up-to-date information. The printed information might be outdated.

Item	Part No.	Name	Qty	L
1	595210801	Blade assy	1	
A1	594246001	Arm	4	
A2	594639701	Blade axle	4	
A3	594126801	Grease nipple, M8	4	
A4	595351701	Nut	8	
A5	595029401	Nut hexagon	4	
A6	594240301	Hub	1	
A7	594117601	Locking clip	8	
A8	595346301	Set screw M8x20mm, (.98".)	8	
A9	595350801	Square neck bolt M10x40mm, (1.57".)	4	
A10	594227601	Blades Finishing- Quick release set of 4 Pcs, Proline	4	A
A10	596866004	Fins (in navizhan is 4700002255	4	
2	595207801	Cage f900 bg375	1	
3	594226601	Gear box	1	
4	595136601	Pressure plate CPL	1	
B1	594241701	Pressure plate	1	
B2	594226801	Sleeve bearing	1	
B3	594248601	Bearing plate	1	
B4	595038101	Ball bearing	1	
5	595443701	Holder plate	1	
6	595349801	Hex.sock screw M10x110mm, (4.33".)	4	
7	594119001	Hex. head screw	1	
8	595029401	Nut hexagon	4	
9	595113301	Washer plain	4	
10	594124001	Washer, 13x36x6 mm, 0.51x1.42x0.24 ". 300HV	1	
11	595356801	Back-up washer, Ø 32.7 x 45 x 2.5 mm, (Ø 1.29 x 1.77 x 0.10 ".)	2	

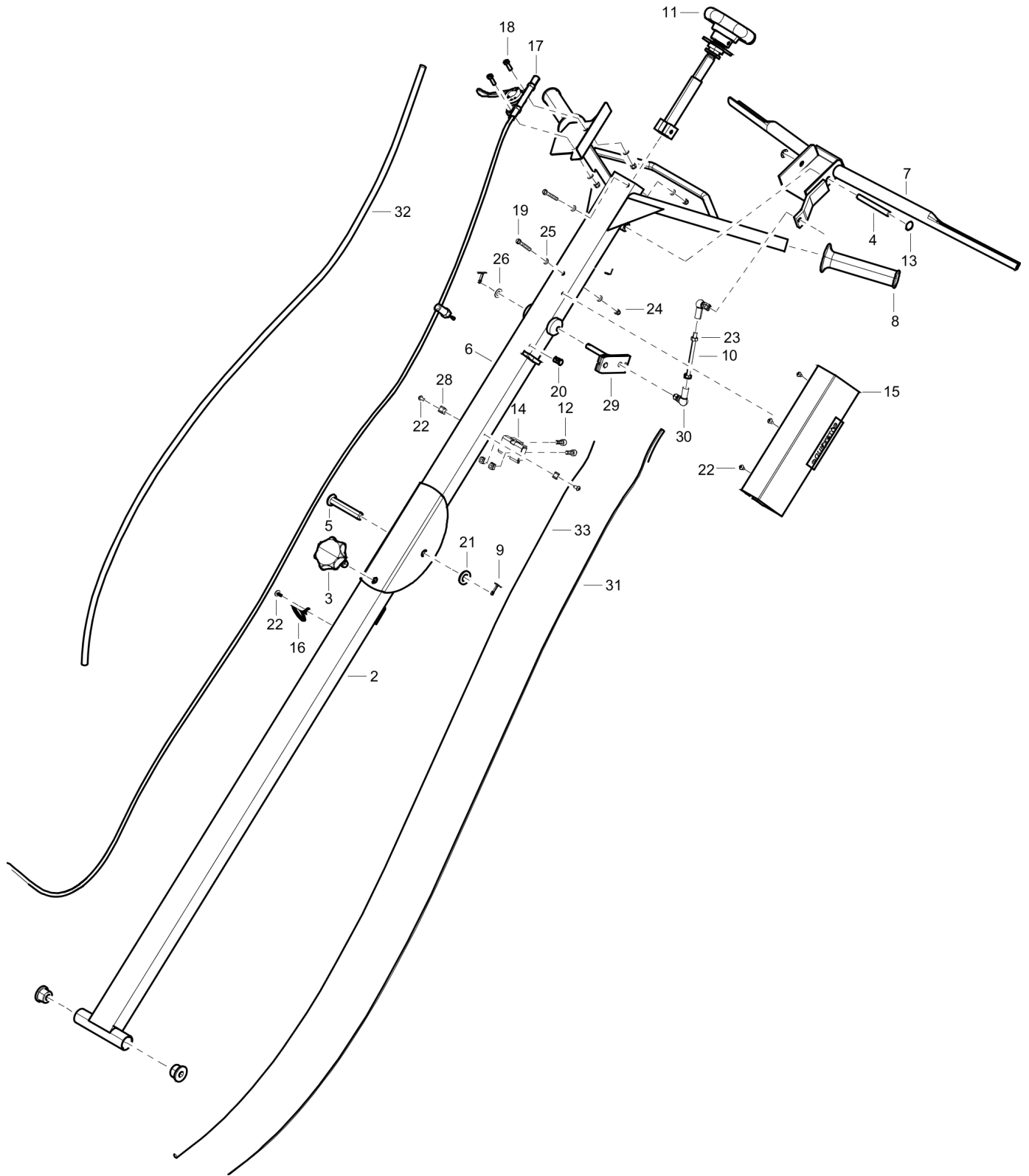
Refer to the Parts Online web page for most up-to-date information. The printed information might be outdated.

Mechanical Engine



Item	Part No.	Name	Qty	L
1	594747201	Stud, M8 x 40 mm, (1.57".)	4	
2	595035701	Nut DIN934	4	
3	595113601	Conical washer M8 DIN 6796	4	
4	596865733	Engine	1	
5	594245901	Decal remove disk	1	
6	595211201	Decal tilted position	1	

Mechanical Handle Assembly

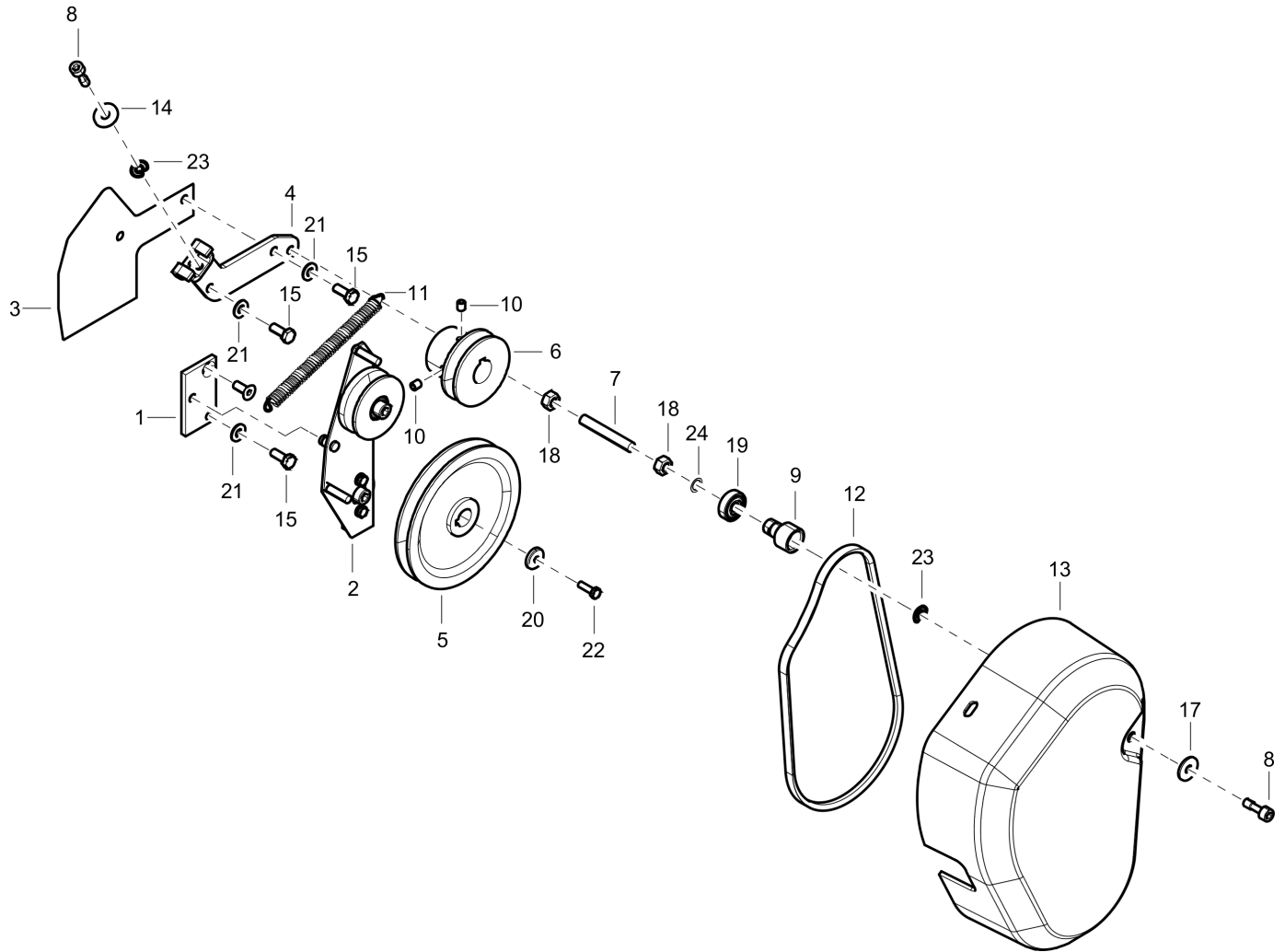


Refer to the Parts Online web page for most up-to-date information. The printed information might be outdated.

Item	Part No.	Name	Qty	L
2	594154801	Long handle lower part	1	
3	596865791	Knob	1	
4	596865935	Cylindrical pin f8m6 x 80	1	
5	596865937	Cylindrical pin 12h65	1	
6	594154701	Long handle upper part	1	
7	595929101	Safety grip	1	
8	594223301	Rubber handle	2	
9	594117301	Split pin, 3.2 x 28 mm, (0.13 x 1.10 ".)	2	
10	594229001	Threaded pin	1	
11	595520101	Adjusting screw - set	1	
13	594231401	Locking washer	2	
14	594164901	Wire console	1	
15	597153901	Hood	1	
16	594246501	Wire holder	1	
17	594224101	Trottle control	1	
18	596695008	Screw DIN933	2	
19	595514601	Screw m5h12	2	
20	594225101	Nipple core f8h15	1	
21	595113401	Washer DIN125	1	
22	595350301	Screw M5x40 DIN 7500	3	
23	595111701	Tapping screw 4.2x13mm, (.51".)	8	
24	595287501	Hexagon nut	2	
25	595112401	Nut	5	
26	594123801	Plain washer	8	
27	595036601	Washer DIN125	1	
28	595353101	Washer DIN7980	2	
29	594125201	Pipe clamp	2	
30	594169301	Connection arm	1	
31	594226101	Angular joint	2	
32	594250201	Clutch wire	1	
33	594250601	Throttle wire	1	
34	594642301	Blade adjusting wire	1	

Refer to the Parts Online web page for most up-to-date information. The printed information might be outdated.

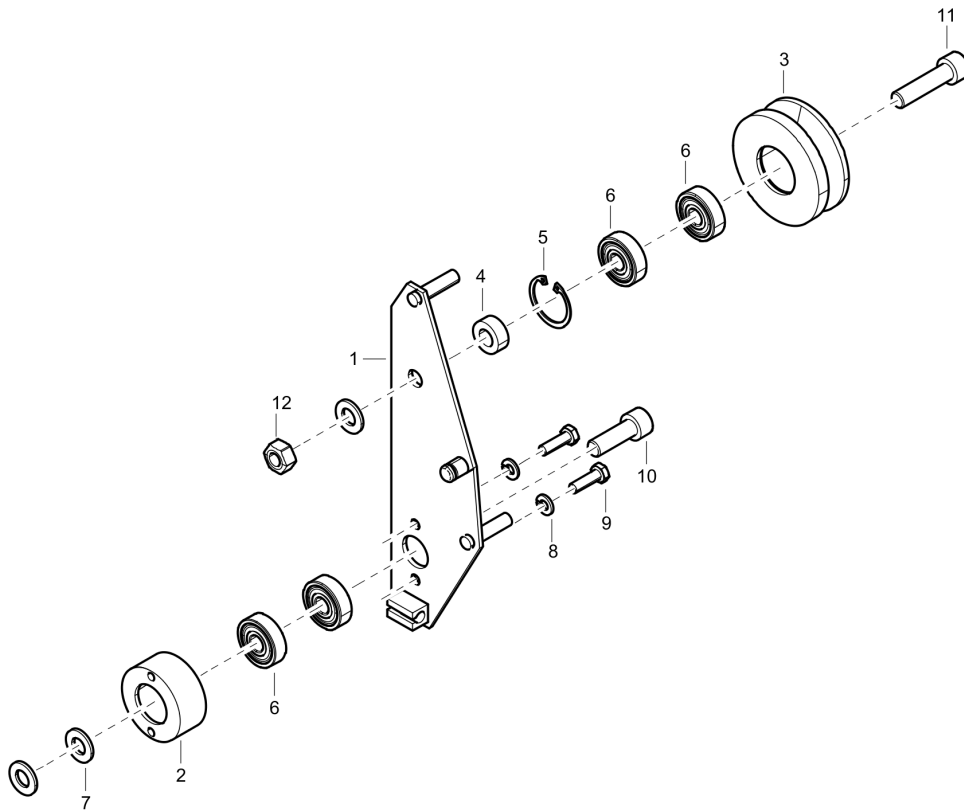
Mechanical Clutch and pulley



Refer to the Parts Online web page for most up-to-date information. The printed information might be outdated.

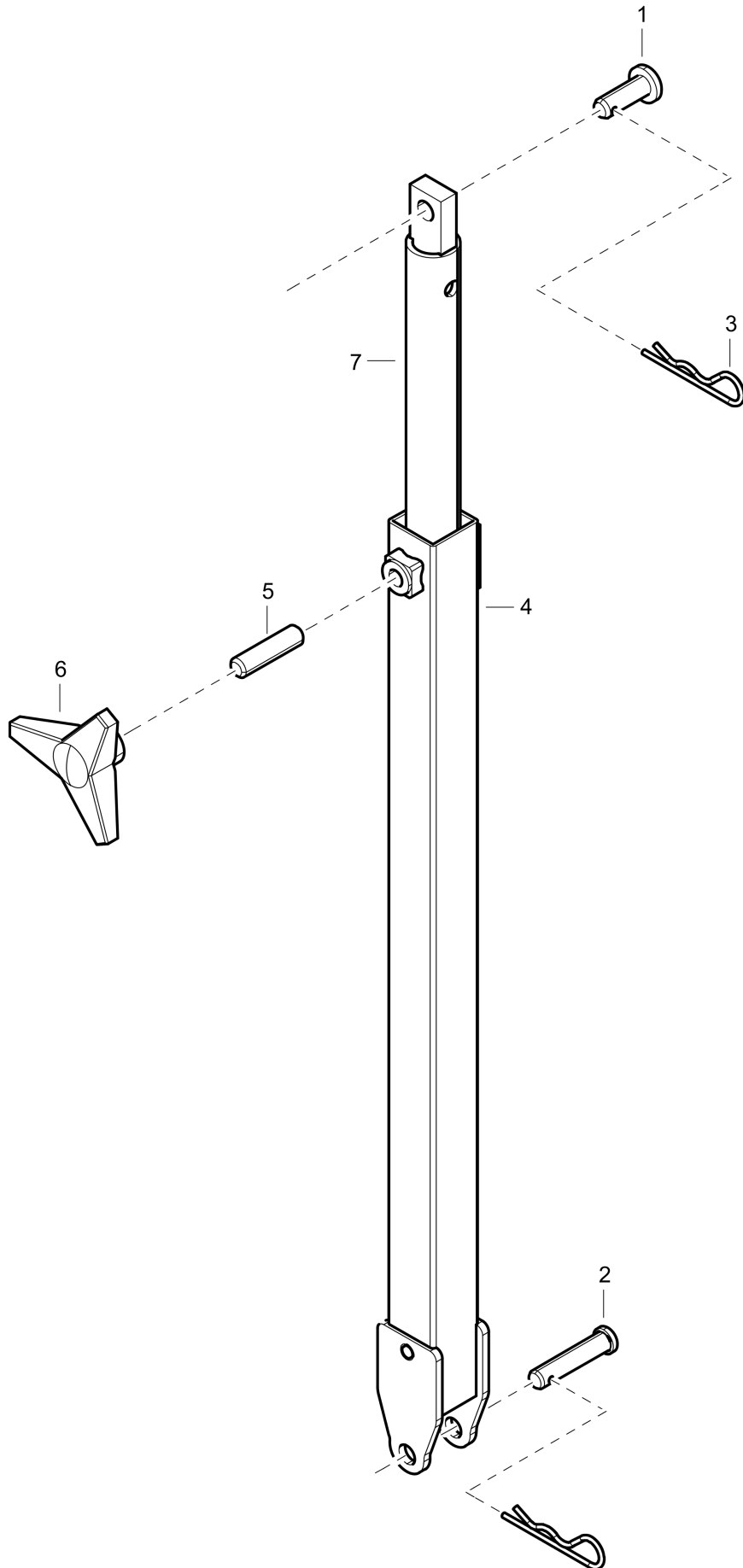
Item	Part No.	Name	Qty	L
1	594248701	Bracket	1	
2	-	Clutch cpl	1	
3	594751401	Safety plate	1	
4	594155401	Cover bracket	1	
5	594241601	Belt wheel	1	
6	594642001	Pulley	1	
7	595212801	Rod, M10 x 48 mm 8.8	1	
8	594642501	Captive screw M8x25, (.98".)	2	
9	594642401	Holder	1	
10	595346701	Set screw M8x8mm, (.31".)	2	
11	594249501	Pull spring	1	
12	594230601	V-belt	1	
13	594959001	Belt cover	1	
14	594123701	Plain washer	1	
15	594117901	Hex. head screw m8 x 20	3	
16	595350101	Screw, M8 x 20 mm	1	
17	594123701	Plain washer	1	
18	595029401	Nut hexagon	2	
19	595115701	Ball bearing	1	
20	595119201	Plain washer	1	
21	595113601	Conical washer M8 DIN 6796	3	
22	595109801	Hex. head screw	1	
23	594650201	Lock spring	2	
24	595037101	Retaining ring	1	

Mechanical Clutch Cpl



Item	Part No.	Name	Qty	L
1	594248801	Belt tensioner	1	
2	594248901	Bearing housing	1	
3	594249001	Pulley	1	
4	594159601	Spacer	1	
5	595037301	Retaining ring	1	
6	594219701	Ball bearing	4	
7	595113301	Washer plain	3	
8	595353101	Washer DIN7980	2	
9	595109801	Hex. head screw	2	
10	595356701	Screw, M10 x 30 mm	1	
11	595348801	Screw	1	
12	595029401	Nut hexagon	1	

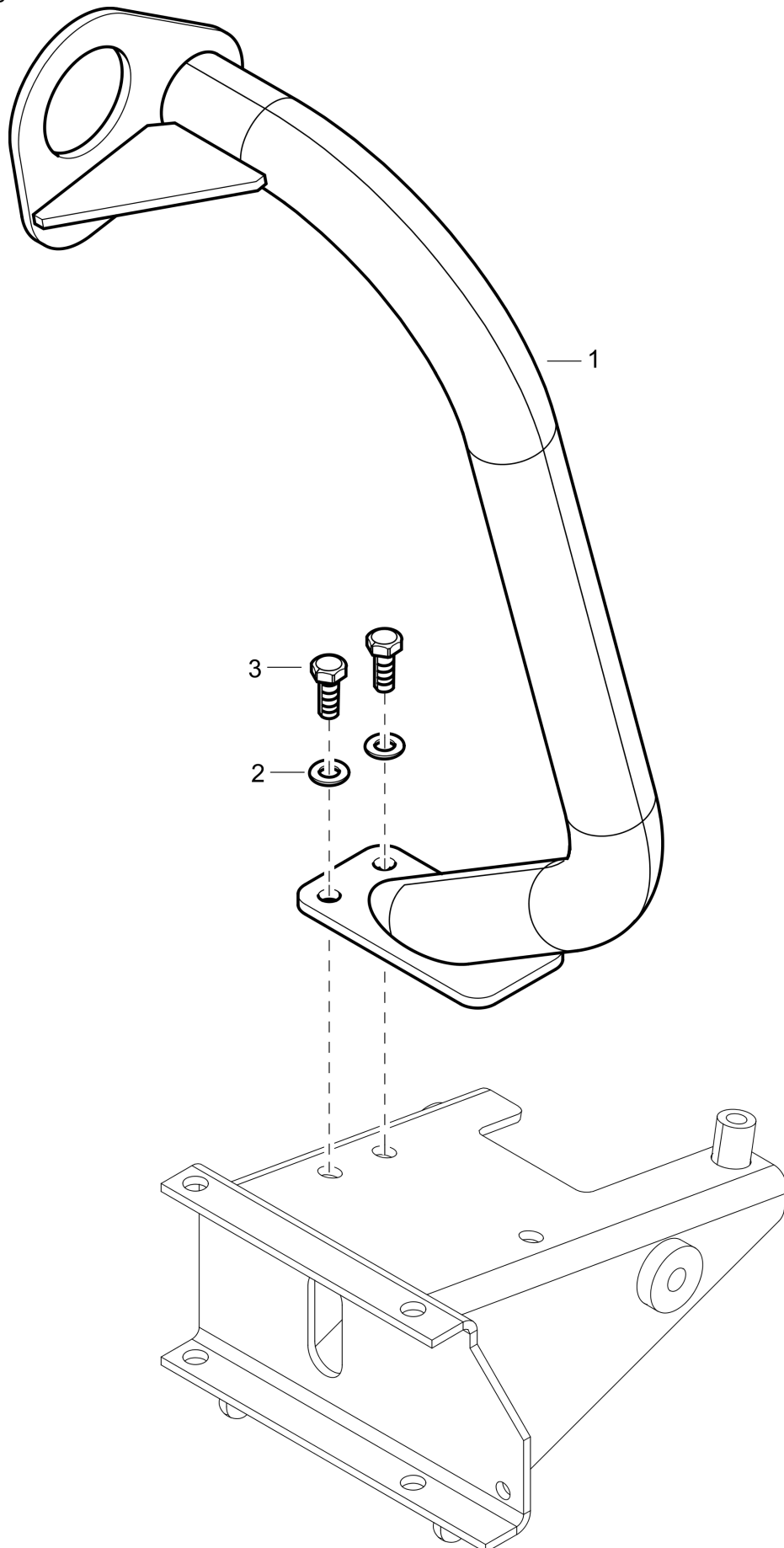
Mechanical Module shoulder kit



Refer to the Parts Online web page for most up-to-date information. The printed information might be outdated.

Item	Part No.	Name	Qty	L
1	596865936	Clevis pin, b - 10 x 28 mm	1	
2	596865938	Pin f9.5 x 45 white -fezn	1	
3	595033101	Pin spring f2.5 br a2k	2	
4	594154901	Lower stay	1	
5	596866111	Screw stopper m10h40	1	
6	596866002	Handle threaded m10	1	
7	594247601	Upper stay	1	

Mechanical Lifting beam



Refer to the Parts Online web page for most up-to-date information. The printed information might be outdated.

Item	Part No.	Name	Qty	L
1	594154301	console lifting gx160 / 200	1	
2	595036601	Washer DIN125	3	
3	594117901	Hex. head screw m8 x 20	3	

Accessories Consumables

NO EXPLODED VIEW
AVAILABLE
FOR THIS BOM

Item	Part No.	Name	Qty	L
1	594240201	Floating disc, 2.5 mm (0.10 ".), thick Classicline	1	
2	594243601	Floating disc, 3 mm (0.12 ".), thick Proline	1	
3	594198301	Floating blades- Quick release set of 4 Pcs Proline	1	A
4	594227601	Blades Finishing- Quick release set of 4 Pcs, Proline	1	B
5	594711101	Finishing blades-Bolt On- Set of 4 Pcs.	1	
7	594866901	Combination blade 1.6mm Quick release ProLine	1	
6	594867301	Plastic blade10mm Quick release ProLine	1	
8	594866801	Combination blade 1.6mm BoltOn ClassicLine	1	

Kits Service kit, Honda GX 160

NO EXPLODED VIEW
AVAILABLE
FOR THIS BOM

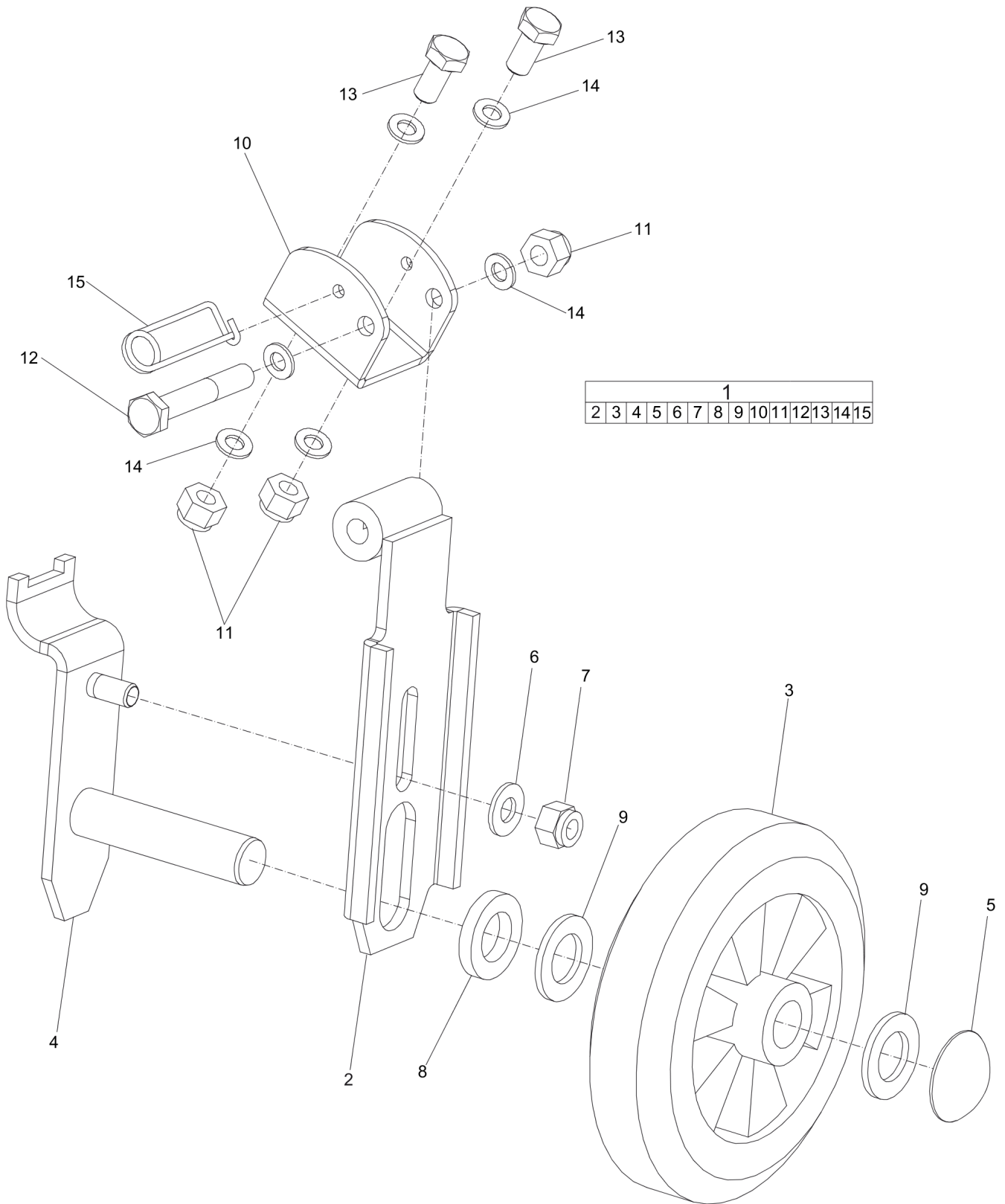
Item	Part No.	Name	Qty	L
1	594200201	One year service kit	1	
1	594302101	Air Filter, complete	1	
2	595048901	Oil plug gasket	1	
3	595049101	Starting rope	1	
4	594544301	Spark plug	1	
5	595048801	Gasket	1	

Kits Maintenance kit, Honda GX 160 and 200, short handle

NO EXPLODED VIEW
AVAILABLE
FOR THIS BOM

Item	Part No.	Name	Qty	L
1	594859301	Maintenance kit	1	
-	595162201	V-belt	1	
-	594639201	Gas wire	1	
-	594640501	Blade adjusting wire	1	
-	594639001	Conductor tilt blade	1	

Kits Transport device kit



Refer to the Parts Online web page for most up-to-date information. The printed information might be outdated.

Item	Part No.	Name	Qty	L
1	594751501	Transport device kit	1	
2	595502701	Arm	2	
3	594224201	Wheel	2	
4	595122801	Bracket	2	
5	594768901	Locking washer	2	
6	--	Washer, 10.5 x 22 x 2 mm, (0.41 x 0.87 x 0.08 ".) 300 HV	2	
7	--	Lock nut, M10	2	
8	--	Washer, 21 x 36 x 6 mm 300 HV, (0.83 x 1.42 x 0.24 ".) 300 HV	2	
9	--	Washer, 21 x 36 x 3 mm 300 HV, (0.83 x 1.42 x 0.12 in".) 300 HV	4	
10	595526501	Attachment	2	
11	--	Lock nut, M10	6	
11	--	Lock nut, M10	6	
11	--	Lock nut, M10	6	
11	--	Lock nut, M10	6	
12	--	Screw, M10 x 70 mm, (2.75".)	2	
13	--	Screw, M10 x 25 mm, (.98".)	4	
14	--	Washer, 10 x 2 mm, (0.39 x 0.08 ".)	12	
15	594161801	Hair pin	2	

Refer to the Parts Online web page for most up-to-date information. The printed information might be outdated.

Kits Gear box seal kit

NO EXPLODED VIEW
AVAILABLE
FOR THIS BOM

Item	Part No.	Name	Qty	L
1	594206901	Gear box seal kit	1	
2	-	Cover seal, 62 mm, (2.44 ".)	1	
3	-	Cover seal, 60 mm, (2.36 ".)	1	
4	-	Shaft seal, 45 mm, (1.77 ".)	1	
5	-	Shaft seal, 30 mm, (1.18 ".)	1	

Any unauthorized use or copying of the contents or any part thereof is prohibited.
This applies in particular to trademarks, model denominations, part numbers, and drawings.