




Husqvarna®



Operator's manual
Manuel d'utilisation
Manual de instrucciones
FS7000 DL



US CA ES

Please read the operator's manual carefully and make sure you understand the instructions before using the machine.

Lire attentivement et bien assimiler le manuel d'utilisation avant d'utiliser la machine.
Lea detenidamente el manual de instrucciones y asegúrese de entender su contenido antes de utilizar la máquina.

KEY TO SYMBOLS

Symbols on the machine:

Some of the symbols below refer to the CE market.

WARNING! The machine can be a dangerous tool if used incorrectly or carelessly, which can cause serious or fatal injury to the operator or others.



Please read the operator's manual carefully and make sure you understand the instructions before using the machine.



Wear personal protective equipment. See instructions under the heading "Personal protective equipment".



All displacement of the machine outside the cutting area shall be carried out with the tool not in rotation.



The guards should always be fitted on the machine. Never allow blade exposure to exceed 180°.



Check the cutting attachment. Never use blunt, cracked or damaged equipment.



The blades should be marked with the same or a higher speed than that stated on the machine's rating plate. A cutting blade running at a too high speed can break or cause serious damage.



Do not use the machine near ignitable substances or gases.



WARNING! Dust forms when cutting, this can cause injuries if inhaled. Use an approved breathing mask. Avoid inhaling exhaust fumes. Always provide for good ventilation.



Hot surface.



Machinery hazard! Always keep all parts of your body away from blade and all other moving parts.



Caution, risk of cutting



Water supply adjustment



Lower blade



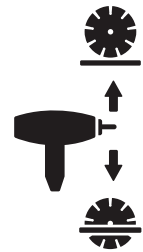
Slow



Fast



Switch for lower and raise the blade



Ignition on



Engine starts



Engine stops

STOP

Machine stop



Transmission stop



Gear range: Select 1, 2, 3 or neutral.



Refuelling Fill with diesel fuel. Gasoline must not be used under any circumstances.



Engine oil



Dipstick, maintain proper engine oil level



Do not raise the saw when checking engine oil level.



Keep saw leveled, without blade, when checking oil level.



This product is in accordance with applicable CE directives. If marked on the machine.



Noise emission to the environment according to the European Community's Directive. The machine's emission is specified in the Technical data chapter and on the label.



KEY TO SYMBOLS

Always use the machine mounted lifting eye when lifting.



Arrow on tool guard indicating the direction of tool rotation.



Remove the blade prior to hoisting, loading, unloading and transporting the machine.



Type plate

A	
B	
C	
D	E
F	

A: Brand

B: Product No.


C: Model

D: Serial Number

E: Manufacturing date, year, week

F: Manufacturer, address

Other symbols/decals on the machine refer to special certification requirements for certain markets.

 WARNING
The engine exhaust from this product contains chemicals known to the State of California to cause cancer, birth defects or other reproductive harm.

Explanation of warning levels

The warnings are graded in three levels.

WARNING!



WARNING! Used if there is a risk of serious injury or death for the operator or damage to the surroundings if the instructions in the manual are not followed.

CAUTION!



CAUTION! Used if there is a risk of injury to the operator or damage to the surroundings if the instructions in the manual are not followed.

NOTICE!



NOTICE! Used if there is a risk of damage to materials or the machine if the instructions in the manual are not followed.

Note the following before starting:



WARNING! Cutting, especially when DRY cutting, generates dust that comes from the material being cut, which frequently contains silica. Silica is a basic component of sand, quartz, brick clay, granite and numerous other minerals and rocks. Exposure to excessive amount of such dust can cause:

Respiratory disease (affecting your ability to breath), including chronic bronchitis, silicosis and pulmonary fibrosis from exposure to silica. These diseases may be fatal;

Skin irritation and rash.

Cancer according to NTP* and IARC* */ National Toxicology Program, International Agency for Research on Cancer

Take precautionary steps:

Avoid inhalation of and skin contact with dust, mist and fumes.

Wear and ensure that all bystanders wear appropriate respiratory protection such as dust masks designed to filter out microscopic particles. (See OSHA 29 CFR Part 1910.1200)

Wet cut when feasible, to minimize dust.

CONTENTS

Contents

KEY TO SYMBOLS

Symbols on the machine:	2
Explanation of warning levels	3
Note the following before starting:	3

CONTENTS

Contents	4
----------------	---

PRESENTATION

Dear customer!	5
Design and features	5
Floor saw FS7000 DL	5
What is what on the floor saw - FS7000 DL?	6
What is what on the control panel?	8

MACHINE'S SAFETY EQUIPMENT

General	9
---------------	---

BLADES

General	11
Diamond blades	11
Transport and storage	11

FUEL HANDLING

General	12
Fuel	12
Fueling	12
Transport and storage	12

BATTERY HANDLING

General	13
Connecting the battery	13
Disconnecting the battery	13
Starting the engine with a weak battery	13

OPERATING

Protective equipment	14
General safety precautions	14
Service	14
Basic working techniques	15
Handle position	16
Moving the machine	16
Fitting the blade	17
Blade depth stop	19
Straight line sawing	20
Transport and storage	20
Long-term storage	21
Engine-Blade shaft-Gearbox speed adjustment	21
Accessories	25

STARTING AND STOPPING

Before starting	26
Starting for the first time	26
Starting	26
Stopping	28

MENU SYSTEM

Menu overview	29
Menu system explanation	30
Explanation of the warning symbols on the display	32

MAINTENANCE AND SERVICE

General	33
Measures to take in advance of maintenance, service and trouble shooting	33

Cleaning	33
Service schedule	34

TROUBLESHOOTING

Incidents during sawing	41
Error messages	42

TECHNICAL DATA

Battery	45
Hydraulic fluid and lubricants	45
Technical data	46
Noise emissions	49

RELAYS AND FUSES

Relays and fuses - FS7000 DL	50
------------------------------------	----

PRESENTATION

Dear customer!

Thank you for choosing a Husqvarna product!

It is our wish that you will be satisfied with your product and that it will be your companion for a long time. A purchase of one of our products gives you access to professional help with repairs and services. If the retailer who sells your machine is not one of our authorised dealers, ask him for the address of your nearest service workshop.

This operator's manual is a valuable document. Make sure it is always at hand at the work place. By following its content (operating, service, maintenance etc.) the life span and the second-hand value of the machine can be extended. If you ever lend or sell this machine, make sure that the borrower or buyer gets the operator's manual, so they will also know how to properly maintain and use it.

More than 300 years of innovation

Husqvarna AB is a Swedish company based on a tradition that dates back to 1689, when the Swedish King Karl XI ordered the construction of a factory for production of muskets. At that time, the foundation was already laid for the engineering skills behind the development of some of the world's leading products in areas such as hunting weapons, bicycles, motorcycles, domestic appliances, sewing machines and outdoor products.

Husqvarna is the global leader in outdoor power products for forestry, park maintenance and lawn and garden care, as well as cutting equipment and diamond tools for the construction and stone industries.

Owner responsibility

It is the owner's/employer's responsibility that the operator has sufficient knowledge about how to use the machine safely. Supervisors and operators must have read and understood the Operator's Manual. They must be aware of:

- The machine's safety instructions.
- The machine's range of applications and limitations.
- How the machine is to be used and maintained.

Local regulations could restrict the use of this machine. Find out what regulations are applicable where you work before you start using the machine.

The manufacturer's reservation

Subsequent to publishing this manual Husqvarna may issue additional information for safe operation of this product. It is the owner's obligation to keep up with the safest methods of operation.

Husqvarna AB has a policy of continuous product development and therefore reserves the right to modify the design and appearance of products without prior notice.

For customer information and assistance, contact us at our website: www.husqvarna.com or call at 1-800-845-1312.

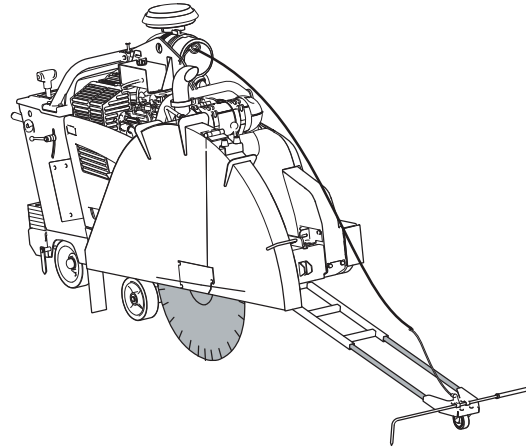
Design and features

These walk behind floor saws are intended to use with diamond blades for wet cutting only. They are designed to cut fresh and hardened concrete in different hardness classes and asphalt.

Values such as high performance, reliability, innovative technology, advanced technical solutions and environmental considerations distinguish Husqvarna's products. Safe operation of this product requires the operator to read this manual carefully. Ask your dealer or Husqvarna should you need more information.

Some of the unique features of your product are described below.

Floor saw FS7000 DL



Engine

Powerful, water cooled and electronically controlled diesel engines for optimal torque curves.

Long chassis

Floor saw FS7000 DL has a longer base than FS7000 D to suit larger diamond blades.

Power transmission

Robust and efficient power transmission between engine and blade for maximum power at the blade shaft.

Tier 4 Final/ Stage IIIB

These products are Tier 4 Final / Stage IIIB compliant: New after treatment system of exhaust gases that complies with new laws in USA and EU.

E-track

Electronically controlled rear axle where the operator with a press of a single button can adjust to allow saw to track straight while cutting.

Digital display

Digital display offering a convenient overview of features and functions to operate the machine.

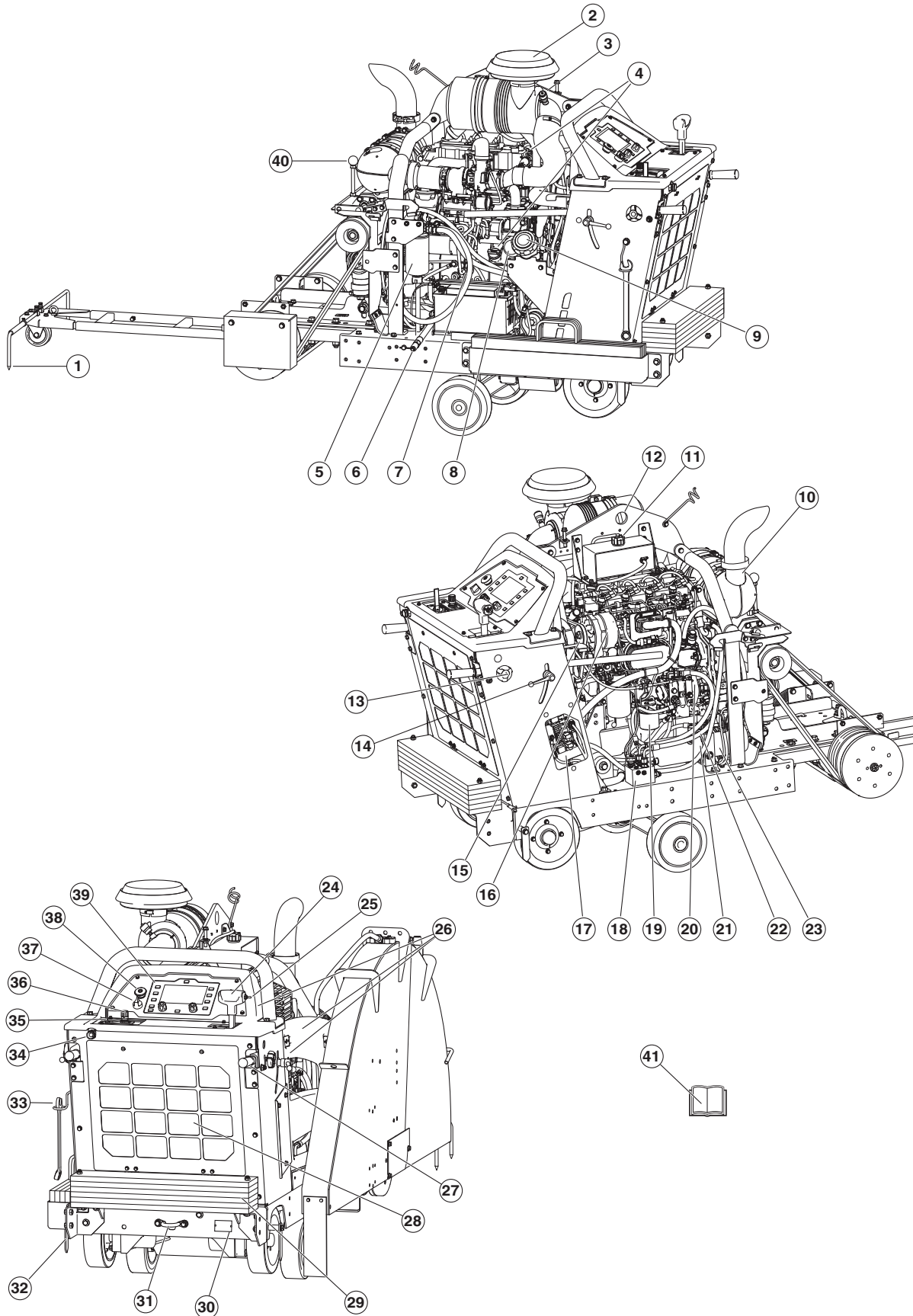
Front guide

Front guide has telescopic adjustment which gives good visibility and convenient storage

PRESENTATION

What is what on the floor saw - FS7000 DL?

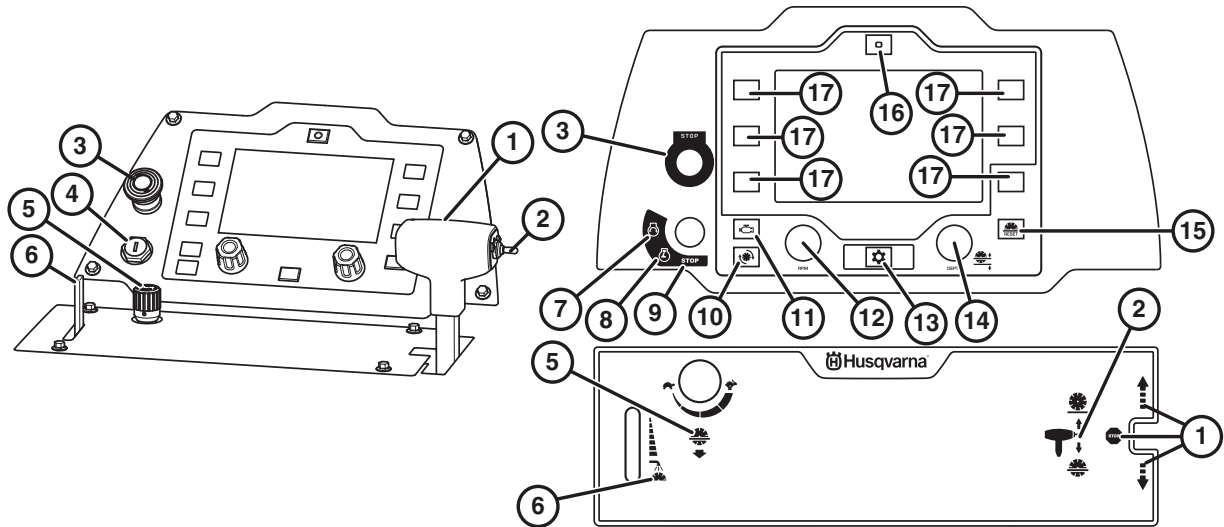
Covers removed for illustration purpose.



PRESENTATION

- 1 Front guide
- 2 Air filter
- 3 Air restriction indicator
- 4 Engine oil fill
- 5 Fuel filter water separator
- 6 Engine oil drain hose with valve
- 7 Engine oil check (dipstick)
- 8 Engine oil filter
- 9 Fuel tank fill
- 10 Muffler - DOC
- 11 Radiator coolant fill
- 12 Lifting eye
- 13 Locking knob for handlebar adjustment in length.
- 14 Locking knob for handlebar adjustment in height
- 15 Alternator/waterpump belt
- 16 Alternator
- 17 Relay and fuse box
- 18 Transmission bypass valve
- 19 Hydraulic filter
- 20 Hydrostatic transmission pump
- 21 Hydraulic reservoir
- 22 Hydraulic reservoir fill
- 23 Hydraulic lift pump
- 24 Speed control lever - directional forward/reverse
- 25 Raise/lower switch (blade)
- 26 Protection covers
- 27 Handlebar
- 28 Radiator air filter
- 29 Weight kit
- 30 Type plate
- 31 Tie down lug (front and rear)
- 32 Rear guide
- 33 Blade shaft wrench
- 34 Water inlet
- 35 Water valve
- 36 Saw lowering speed control knob
- 37 Engine start switch
- 38 Machine stop
- 39 Control Panel
- 40 Gearbox shift lever (3-speed gearbox model)
- 41 Operator's manual

PRESENTATION



The control panel is the operator's link to the machine. From here the operator can control anything from engine rpm, cutting depth of the blade and read the current status of the engine and the machine.

All information to the operator will be shown on a 7" anti glare coated screen with LED backlight, making it clearly visible in both very bright and pitch-black working sites.

Display texts are illustrated in English in the manual, but will appear in the chosen language on the product display. Depending on how the machine is configured, different menu options are valid. For more information, see section "Menu system".

Use the function buttons (17) on both sides of the display to choose the respective functions shown on the display.

What is what on the control panel?

- | | | | |
|---|---------------------------------|----|-----------------------------|
| 1 | Speed control lever | 9 | Engine stops |
| 2 | Raise/lower switch (blade) | 10 | Display of blade speed, rpm |
| 3 | Machine stop | 11 | Display of motor speed, rpm |
| 4 | Engine start switch | 12 | Throttle speed adjustment |
| 5 | Saw lowering speed control knob | 13 | Menu button |
| 6 | Water valve | 14 | Blade depth adjustment |
| 7 | Engine starts | 15 | Blade zero button |
| 8 | Ignition on | 16 | E-track zero button |
| | | 17 | Select button |

MACHINE'S SAFETY EQUIPMENT

General



WARNING! Never use a machine that has faulty safety equipment! If your machine fails any checks contact your service agent to get it repaired. The engine should be switched off, and the Engine start switch in STOP position.

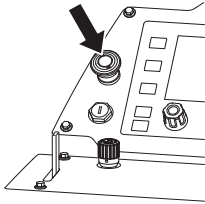


WARNING! The bladeshaft rotates when the engine is cranked or started. Applicable for versions without installed blade clutch.

This section describes the machine's safety equipment, its purpose, and how checks and maintenance should be carried out to ensure that it operates correctly.

Machine stop

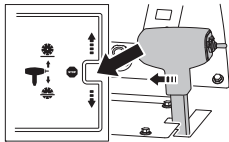
The machine stop is used to quickly switch off the engine and all electrical functions except lights.



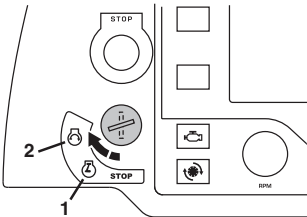
NOTICE! Do not use for routine stop.

Testing the machine stop

- Set Speed control lever to the STOP position. The engine will not start unless the Speed control lever is in the distinct STOP position.

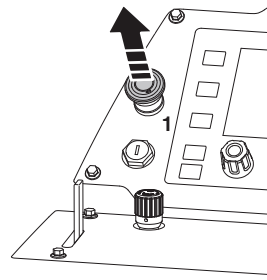


- Start the engine, turn the Engine start switch to ignition on position. Follow the procedure in the engine manual.
- When preheat symbol is displayed, wait for the engine glow plugs to warm the engine. When the preheat symbol disappears turn the Engine start switch to position engine start to start the engine.

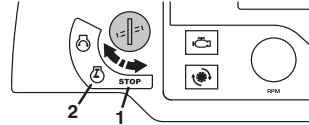


- Press the machine stop and check that the engine stops. This will set the machine in safe mode.

- Reset the machine stop by pulling the knob outward.



- Reset the safe mode by turning Engine start switch to the STOP position and back to ignition on position.



Blade Guard



WARNING! Always check that the blade guard is fitted correctly before starting the machine.

This guard is fitted above the blade and is designed to prevent parts of the blade or cutting fragments from being thrown towards the user.

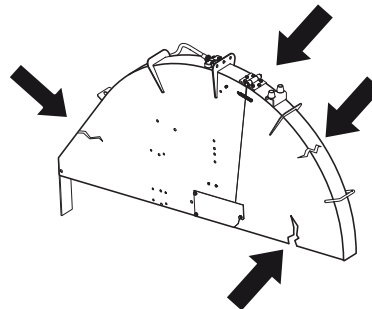
It will also protect the user from the blade and cool the blade with water when wet cutting.

Checking the blade guard



WARNING! Always check that the guard is correctly fitted before starting the machine. Also check that the blade is fitted correctly and is not damaged in any way. A damaged blade can cause personal injuries.

- Check that the blade guard is not damaged or cracked. Replace the blade guard if it is exposed to impact or is cracked.



Protection covers



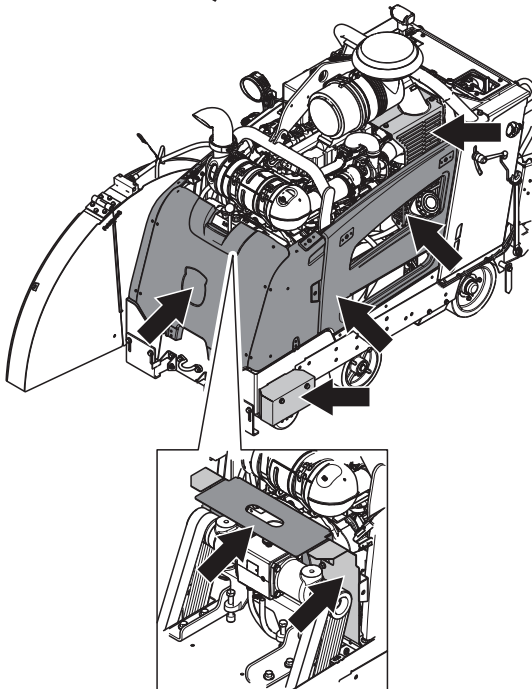
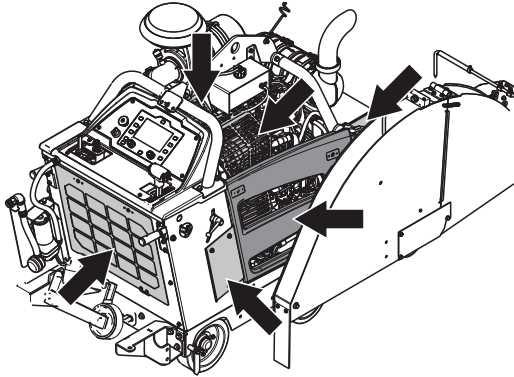
WARNING! Always check that the protection covers are correctly fitted before starting the machine.

Protective covers on the machine protect the user from the cooling fan, belt drives and hot surfaces.

MACHINE'S SAFETY EQUIPMENT

Checking the protective covers

- Check the protective covers for cracks or other damages. Replace damaged covers.



Muffler - DOC



WARNING! Never use a machine without a muffler, or with a faulty muffler. A damaged muffler may substantially increase the noise level and the fire hazard. Keep fire fighting equipment handy.

The muffler gets very hot during and after use. This also applies during idling. Be aware of the fire hazard, especially when working near flammable substances and/or vapours.

The muffler is designed to keep noise levels to a minimum and to direct exhaust fumes away from the user.

Inspecting the muffler - DOC

- Check regularly that the muffler is complete and secured correctly.

NOTICE! Muffler - DOC is a part of emissions compliance. Do not modify!

BLADES

General



WARNING! A cutting blade may burst and cause injury to the operator.

The cutting blade manufacturer issues warnings and recommendations for the use and proper care of the cutting blade. Those warnings come with the cutting blade.

A cutting blade should be checked before it is assembled on the saw and frequently during use. Look for cracks, lost segments (diamond blades) or pieces broken off. Do not use a damaged cutting blade.

- High-quality blades are often most economical. Lower quality blades often have inferior cutting capacity and a shorter service life, which results in a higher cost in relation to the quantity of material that is cut. See the instructions under the heading Assembling the blades.



WARNING! Never use a blade for any other materials than that it was intended for. Never use a blade with a lower speed rating than that of the machine. Do not use circular saw blades or carbide tipped blades.

Blade instability

- The blade can wobble and burst if an excessive rotational speed rating is used.
- A lower rotational speed rating can stop the wobbling. Check for correct blade transmission configuration and/or gear. Otherwise replace the blade.

Diamond blades

General

The cutting blade continues to rotate up to a minute after the motor has stopped. Never stop the blade with your hands. Personal injuries can occur.

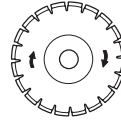


WARNING! Diamond blades become very hot when used. An overheated blade is a result of improper use, and may cause deformation of the blade, resulting in damage and injuries.

Cutting metal generates sparks that may cause fire. Do not use the machine near ignitable substances or gases.

- Diamond blades consist of a steel core provided with segments that contain industrial diamonds.
- Diamond blades ensure lower costs per cutting operation, fewer blade changes and a constant cutting depth.

- When using diamond blades make sure that it rotates in the direction indicated by the arrow on the blade.



Sharpening diamond blades

- Always use a sharp diamond blade.
- Diamond blades can become dull when the wrong feeding pressure is used or when cutting certain materials such as heavily reinforced concrete. Working with a dull diamond blade causes overheating, which can result in the diamond segments coming loose.
- Sharpen the blade by decreasing the cutting depth and engine speed for a short time. This will expose new and sharp diamonds on the blade

Diamond blades and cooling

- During cutting the friction in the cut causes the diamond blade to be heated up. If the blade is allowed to get too hot this can result in loss of blade tensioning or core cracking. Therefore the diamond blade needs to be cooled with water.

Diamond blades for wet cutting

During cutting the friction in the cut causes the diamond blade to be heated up. If the blade is allowed to get too hot this can result in loss of blade tensioning or core cracking.

Allow the blade to cool down before touching it.

- Wet cutting diamond blades must be used with water to keep the blade core and segments cool during sawing. Wet cutting blades should NOT be used dry.
- Using wet cutting blades without water can cause excessive heat build-up, resulting in poor performance, severe blade damage and is a safety hazard.
- Water cools the blade and increases its service life while also reducing the formation of dust.
- Use wet sawing of old and new concrete and asphalt.

NOTICE! Always use blade flange size specified for current blade size. Never use damage flanges.

Transport and storage

- Store cutting blades in a safe place so it can not be damage.
- Store cutting blades in dry, frost free conditions.
- Inspect new blades for transport or storage damage.

FUEL HANDLING

General



WARNING! Running an engine in a confined or badly ventilated area can result in death due to asphyxiation or carbon monoxide poisoning.

Fuel and fuel fumes are highly flammable and can cause serious injury when inhaled or allowed to come in contact with the skin. For this reason observe caution when handling fuel and make sure there is adequate ventilation.

The exhaust fumes from the engine are hot and may contain sparks which can start a fire. Never start the machine indoors or near combustible material!

Do not smoke and do not place any hot objects in the vicinity of fuel.

Fuel

Engine

The engine on this machine is certified to the environmental exhaust emission standards as per US, EPA and CARB Tier 4 Final / EU stage IIIB.

Diesel fuel

- Use only Ultra Low Sulfur Diesel (0.0015% or 15ppm). For additional information regarding fuel please see engine manufacturer's manual supplied with the product.

NOTICE! Never use bio-diesel! Bio-diesel will harm the fuel hoses.

Engine oil

Always park the machine on a level surface before checking the oil. Keep saw leveled, without blade, when checking oil level.

- Check the oil level before starting the machine. A too low oil level can cause serious damage to the engine. See instructions in section "Maintenance and service".
- Never use oil intended for two-stroke engines. Use only Low ash engine oil, as specified in "Technical data".

NOTICE! Make sure there is always sufficient oil in the engine.

Fueling



WARNING! Always stop the engine and let it cool for a few minutes before refueling.

When refuelling, open the fuel cap slowly so that any excess pressure is released gently.

Clean the area around the fuel cap.

Tighten the fuel cap carefully after refueling. If the cap is not properly tightened the cap might vibrate lose and fuel may escape from the fuel tank creating a fire hazard.

Move the machine at least 10 ft (3 m) from the refuelling point before starting it.

Never start the machine:

- If you have spilled fuel or engine oil on the machine, wipe off the spillage and allow remaining fuel to evaporate.
- If you have spilled fuel on yourself or your clothes, change your clothes. Wash any part of your body that has come in contact with fuel. Use soap and water.
- If the machine is leaking fuel. Check regularly for leaks from the fuel cap and fuel lines.

Transport and storage

- Store and transport the machine and fuel so that there is no risk of any leakage or fumes coming into contact with sparks or open flames, for example, from electrical machinery, electric motors, electrical relays/switches or boilers.
- When storing and transporting fuel always use approved containers intended for this purpose.

BATTERY HANDLING

General



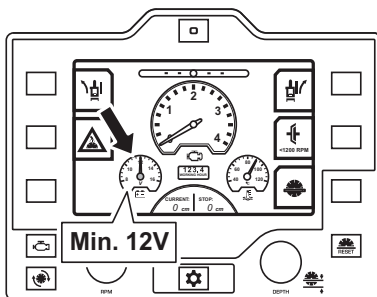
WARNING! Lead-acid batteries produce explosive gases. Avoid sparks, open flames and smoking close to batteries.

- Connecting or disconnecting the battery may cause sparks and short circuits.
- A spark or flame can cause a lead acid battery to explode.
- Never connect both terminals on the battery at the same time with a wrench or other metal as this may short-circuit the battery.
- Always handle battery with care.
- Unused batteries must be kept away from metal objects such as nails, coins, jewellery.
- Remove metal bracelets, watches, rings, etc., before connecting the battery. Wear gloves and protective goggles or a dust mask when working with the battery.
- The original battery is maintenance free. Do not attempt to open or remove caps or covers. It is usually not necessary to check or adjust the level of electrolyte.
- Replace only with a similar maintenance-free battery. See information in the Technical data section.
- When welding on the machine, always disconnect both battery cables and store cables away from battery poles.
- Always connect the minus pole of welding gear as close as possible to the weld spot.

NOTICE! Do not override maximum physical size of battery. Too large battery can damage or be damaged by adjacent parts.

Handle the battery carefully, of environmental considerations. Follow the local recycling requirements.

- Check the battery daily. When the Engine start switch is in ignition on position, battery gauge in the display should not reach under 12V.

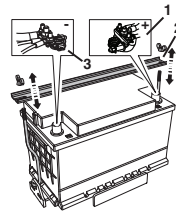


- If battery has difficulties holding voltage over long time periods when load is not applied, replace battery. For more information about recommended batteries, see section "Technical data"
- Charge battery regularly.
- Keep battery terminals and its accessories clean.

Connecting the battery

Note! Install and remove the battery cables only in the sequence described in this section.

- 1 Always connect positive terminal first.
- 2 Remount the battery holder.
- 3 Connect negative terminal.



Disconnecting the battery

- Remove the cables in the reverse order

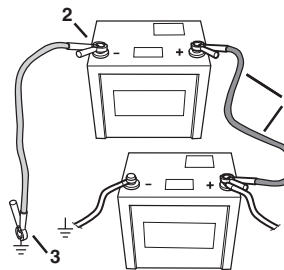
Starting the engine with a weak battery

If the battery is too weak to start the engine, it should be recharged.

When jump leads are used for emergency starting, follow the procedure below:

Connecting the jump leads

- 1 Connect each end of the red cable to the POSITIVE pole (+) on each battery, exercise care not to short circuit any of the ends against the chassis.
- 2 Connect one end of the black cable to the NEGATIVE pole (-) on the fully charged battery.
- 3 Connect the other end of the black cable to a good ENGINE BLOCK EARTH, away from the fuel tank and the battery.



Remove the cables in the reverse order

- The BLACK cable is removed from the engine block and then the fully charged battery.
- Finally the RED cable from both batteries.

Storage

- Store the battery cool and dry area.

OPERATING

Protective equipment

General

Make sure that there is always another person close at hand when you use the machine, so that you can call for help if an accident should occur.

Personal protective equipment

You must use approved personal protective equipment whenever you use the machine. Personal protective equipment cannot eliminate the risk of injury but it will reduce the degree of injury if an accident does happen. Ask your dealer for help in choosing the right equipment.



WARNING! The use of products such as cutters, grinders, drills, saws that sand or form material can generate dust and vapors which may contain hazardous chemicals. Check the nature of the material you intend to process and use an appropriate breathing mask.

Long-term exposure to noise can result in permanent hearing impairment. Always use approved hearing protection. Listen for warning signals or shouts when you are wearing hearing protection. Always remove your hearing protection as soon as the engine stops.

Always wear:

- Approved protective helmet
- Hearing protection
- Approved eye protection. If you use a face shield then you must also wear approved protective goggles. Approved protective goggles must comply with standard ANSI Z87.1 in the USA or EN 166 in EU countries. Visors must comply with standard EN 1731.
- Breathing mask
- Heavy-duty, firm grip gloves.
- Tight-fitting, heavy-duty and comfortable clothing that permits full freedom of movement. Cutting generates sparks that can ignite clothing. Husqvarna recommends that you wear flame-retardant cotton or heavy denim. Do not wear clothing made of material such as nylon, polyester or rayon. If ignited such material can melt and cling to the skin. Do not wear shorts
- Boots with steel toe-caps and non-slip sole

Other protective equipment



CAUTION! Sparks may appear and start a fire when you work with the machine. Always keep fire fighting equipment handy.

- Fire Extinguisher
- Always have a first aid kit nearby.

General safety precautions

This section describes basic safety directions for using the machine. This information is never a substitute for professional skills and experience.

- Please read the operator's manual carefully and make sure you understand the instructions before using the machine. It is recommended that first time operators also obtain practical instruction before using the machine.
- Keep in mind that it is you, the operator that is responsible for not exposing people or their property to accidents or hazards.
- The machine must be kept clean. Signs and stickers must be fully legible.

Service

Have your machine serviced by a qualified repair person using only identical replacement parts. This will ensure that the safety of the machine is maintained.

Always use common sense

It is not possible to cover every conceivable situation you can face. Always exercise care and use your common sense. If you get into a situation where you feel unsafe, stop and seek expert advice. Contact your dealer, service agent or an experienced user. Do not attempt any task that you feel unsure of!



WARNING! The machine can be a dangerous tool if used incorrectly or carelessly, which can cause serious or fatal injury to the operator or others.

Never allow children or other persons not trained in the use of the machine to use or service it.

Never allow anyone else to use the machine without first ensuring that they have read and understood the contents of the operator's manual.

Never use the machine if you are fatigued, while under the influence of alcohol or drugs, medication or anything that could affect your vision, alertness, coordination or judgement.

OPERATING



WARNING! Unauthorized modifications and/or accessories may lead to serious injury or death to the user or others. Under no circumstances may the design of the machine be modified without the permission of the manufacturer.

Do not modify this product or use it if it appears to have been modified by others.

Never use a machine that is faulty. Carry out the safety checks, maintenance and service instructions described in this manual. Some maintenance and service measures must be carried out by trained and qualified specialists. See instructions under the heading Maintenance.

Always use genuine accessories.

Your warranty may not cover damage or liability caused by the use of non-authorized accessories or replacement parts.



WARNING! This machine produces an electromagnetic field during operation. This field may under some circumstances interfere with active or passive medical implants. To reduce the risk of serious or fatal injury, we recommend persons with medical implants consult their physician and the medical implant manufacturer before operating this machine.

Cutting area safety



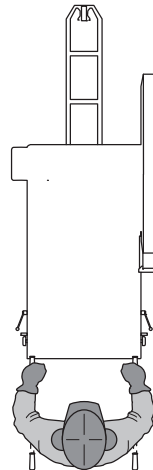
WARNING! You are responsible to ensure that animals and onlookers are not within the working area. Do not start cutting until the working area is clear.

- Observe your surroundings to ensure that nothing can affect your control of the machine.
- Ensure that no one/nothing can come into contact with the cutting equipment or be hit by parts if the blade breaks.
- Do not install a blade on the machine until it has been transported into the cutting area.
- Do not use the machine in bad weather, such as dense fog, heavy rain, strong wind, intense cold, etc. Working in bad weather is tiring and can lead to dangerous conditions, e.g. slippery surfaces.
- Never start to work with the machine before the working area is clear and you have a firm foothold. Look out for any obstacles with unexpected movement. Ensure when cutting that no material can become loose and fall, causing injury to the operator. Take great care when working on sloping ground.
- Ensure that the working area is sufficiently illuminated to create a safe working environment.
- Make sure that no pipes or electrical cables are routed in the working area or in the material to be cut.

- Running an engine in a confined or badly ventilated area can result in death due to asphyxiation or carbon monoxide poisoning.

Basic working techniques

- This machine is designed and intended for cutting of fresh and hardened concrete in different hardness classes and of asphalt.
- Always saw in a manner that permits easy access to the machine stop.
- Check that no tools or other objects have been left lying on the machine.
- Always check that the blade guard is fitted correctly before starting the machine. Never cut without using the blade guard.
- Clearly mark out all cuts to be made before you start sawing, plan these so they can be carried out without danger to persons or the machine.
- Under all circumstances avoid grinding using the side of the blade; it will almost certainly be damaged, break and can cause immense damage. Only use the cutting section.
- Do not stand behind or in front of the blade path while the engine is running.
- Do not leave the machine unattended while the engine is running.
- Never cock, jam wedge or twist blade in a cut.
- Make sure that there is always another person close at hand when you use the machine, so that you can call for help if an accident should occur.
- Never stand behind or in front of blade path while the engine is running. The operator position is between the two handlebars.



OPERATING

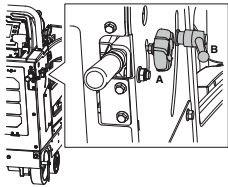
Handle position

CAUTION! Never use the handlebars to lift the saw.

Use the handlebars to maneuver the saw.

The position of the handlebars can be adjusted in height and length.

- Loosen the locking knob **A** to adjust the length.
- Turn handle adjustment locking knob **B** counterclockwise to unlock and reposition handlebar. Turn clockwise to lock handlebar in position. Set handle to most comfortable working height. Tighten the locking knob.

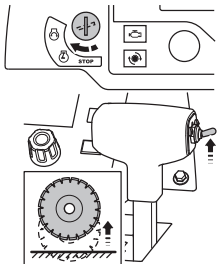


Moving the machine

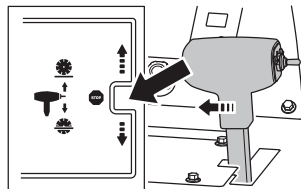
Prior to moving the machine, read and understand section "Starting and stopping".

Moving the machine with the engine off

- Turn Engine start switch to the ignition on position.
- Raise the saw by pressing up the Raise/lower switch on the Speed control lever until the blade (if installed) clears the pavement surface.



- Put Speed control lever into the STOP position.



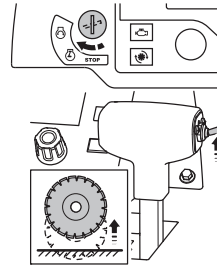
- Set the Transmission bypass valve counterclockwise to the up (neutral) position.
- The saw can now be moved by standing behind it and pushing (while holding the handlebars).



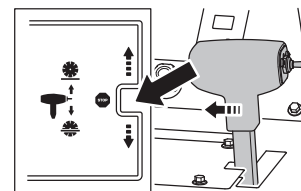
WARNING! Do not attempt to push the saw while it is in neutral position on a grade (or hill). The saw operator could lose control of the saw and cause injury to oneself or other persons in the area.

Moving the saw with the engine on

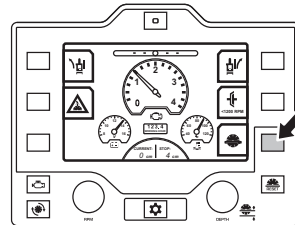
- Turn Engine start switch to the ignition on position.
- Raise the saw by pressing up the Raise/lower switch on the Speed control lever until the blade (if installed) clears the pavement surface.



- Put Speed control lever into the STOP position.

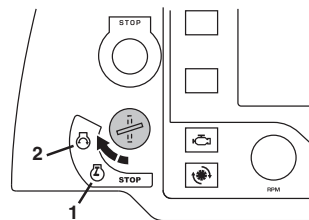


- The Engine throttle is at idle speed setting per default.
- Ensure that the Blade clutch is disengaged (if clutch installed).



CAUTION! Pay special attention on clutchless machines, blade starts rotating at start. For safety reason, do not move the saw sideways or out of the cutting area with blade installed and rotating.

- While the Engine start switch is in the ignition on position, check the display and ensure that preheat symbol is turned off. If it is lit, the glow plugs warm the engine and the engine will not start. Wait a few seconds until turned off.
- When preheat symbol is off, turn the Engine start switch to the engines start position until the engine starts, then release the switch. It will return to ignition on position automatically.

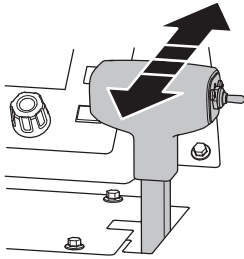


NOTICE! If the engine does not start, turn Engine start switch to STOP position and check the display for any messages. If none, repeat above steps. Else, take measures according to message in the display prior to new starting attempt.

OPERATING

- Push the Speed control lever forward for forward saw movement, or to the rear for reverse saw movement.

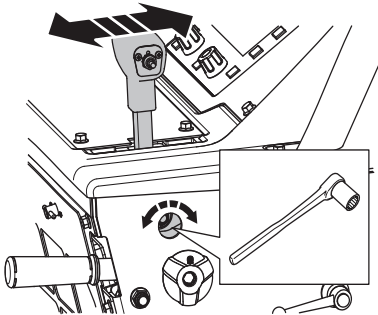
The further you push the lever the faster the speed. For more information, see the "Technical data" section.



WARNING! Do not open or close the Transmission bypass valve while engine is running.

Do not open the Transmission bypass valve to neutral while the saw is parked on a grade (or hill). The operator will lose control and injury or damage could occur.

Adjust the resistance on the Speed control lever with the nut on the side of the lever.



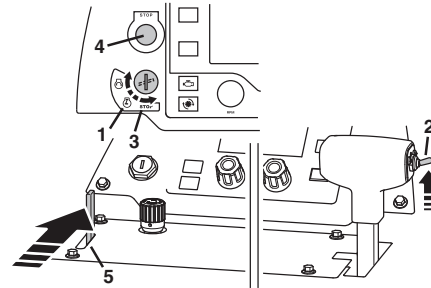
Fitting the blade

Prior to fitting the blade, read and understand section "Engine-Blade shaft-Gearbox speed adjustment".

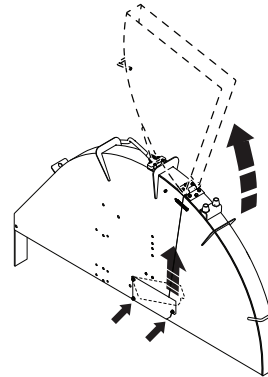
NOTICE! Check the blade's direction of rotation. The arrow on the blade and the blade guard indicates the direction of rotation.

- 1 Transport the machine to within the cutting area and check your surroundings according to the information found under the heading Cutting area safety.
- 2 Set Engine start switch to ignition on position.
- 3 Raise the saw to a high position using the Raise/lower switch on the Speed control lever.
- 4 Set the Engine start switch to STOP position.
- 5 Press the Machine stop on the control panel.

- 6 Turn off the Water valve.



- Loosen the blade guard front bolt and lift the blade guard latch.
- Raise blade guard front and use spring hook to lock it in upright position.



WARNING! Check that the blade, blade flanges and blade flange arbor are undamaged. Clean the contact surfaces of the blade and the blade flanges. Make sure the blade and the flanges are clean and free of dirt and debris before mounting the blade on the machine.

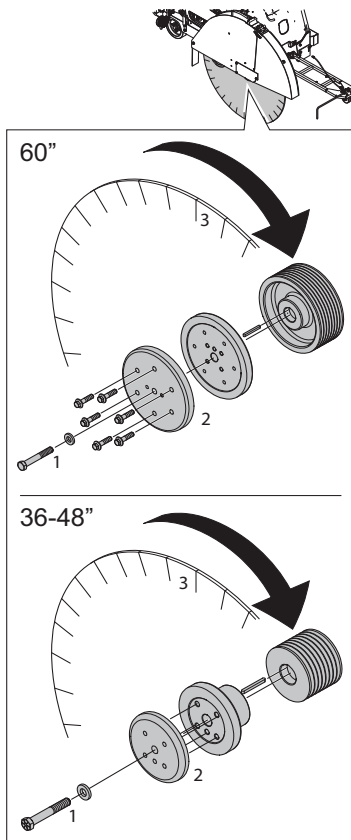
The blade shaft bolt on the right hand side of the saw has left hand threads and the blade shaft bolt on the left hand side of the saw has right hand threads. Replace the blade shaft bolt and plain washer when worn or damaged.

- 1 Loosen blade shaft bolt which is used to clamp the blade between the inner and outer flange.
- 2 Remove outer flange and plain washer.
- 3 Fit diamond blade to outer flange arbor.
- 4 Install outer flange with blade pre-installed into the inner flange making sure that the safety pins passes through the diamond blade and into the inner flange.
Always use plain washer with blade shaft bolt.
Rotate the blade in the opposite direction of blade rotation to remove backlash.
- 5 Tighten the blade shaft bolt firmly with the supplied wrench.

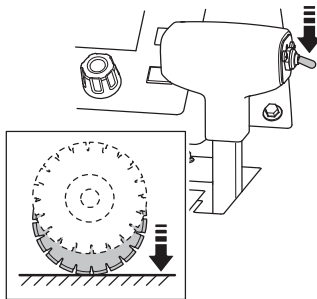
On 60"/1500mm blade, loose and tighten the flange as described above, in addition tighten the 6 bolts firmly that holds the flange.

OPERATING

- Install and tighten blade shaft bolt and plain washer using the blade shaft wrench while firmly holding the blade.



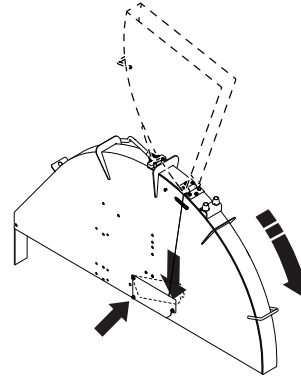
- Lower the saw by pushing the Raise/lower switch on the speed control lever downwards until the blade touches the surface to be cut.



CAUTION! The touch should be smooth to prevent damaging the blade. Use Saw lowering speed control knob to slow down the lowering speed. Never let the front weight of the machine be supported by the blade since this will damage the blade.

- Tighten the blade shaft bolt firmly using the blade shaft wrench while resistance between diamond blade and ground helps to achieve proper and final tightening.

- Lower blade guard front and position the blade guard latch on the blade guard front bolt. Tighten the blade guard front bolt.



NOTICE! Do not operate this saw without the latch engaged and the bolt installed. Do not use if damaged.

- Test run the machine and check that no unusual sounds occur. Unusual sounds are a sign of an incorrectly mounted blade.

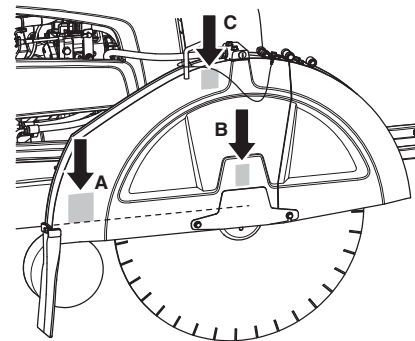
Install the blade guard 36"-42"

Slip on blade guards are secured with a blade guard lock which engages the rear half of the blade guard.

Do not operate this saw without the lock engaged. Inspect blade guards and locks frequently. Do not use if damaged.

Lower the guard onto the support spades and use moderate force to press down the blade guard until lock engages.

- 36" and 42" guards are lowered on three spades **A**, **B** and **C**.

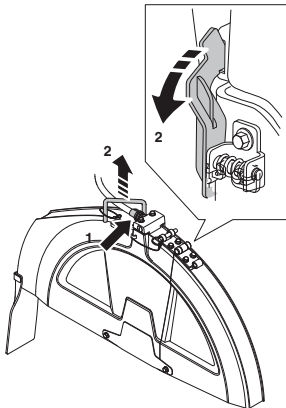


Remove the blade guard 36"-42"

- 1 Disconnect the water hose from the blade guard.

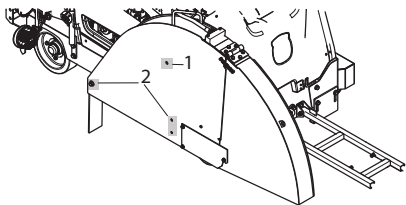
OPERATING

- Use the blade shaft wrench, turn the blade guard lock forward until it stops and unlatches. Lift at the same time the blade guard with its handle off the support spade(s).

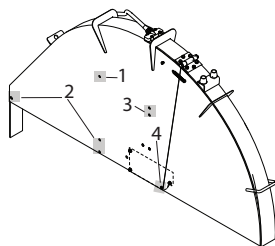


Install the blade guard 48"-60"

48"



60"



- One screw fixed to the bracket blade guard upper.
- Three screws fixed to the baseplate.
- Two screws fixed to the bracket blade guard.
- One screw fixed to the belt guard.

Remove the blade guard 48"-60"

- Disconnect the water hose from the blade guard.
- Remove the bolt holding the blade guard.
- Remove the blade guard

Blade depth stop

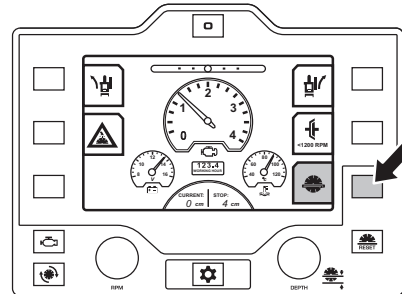
The saw is equipped with a Blade depth stop on the control panel. When activated, the cutting depth will stop at the cutting depth chosen by the operator.

For more information about maximum cutting depth for different blade sizes, see section "Blades"

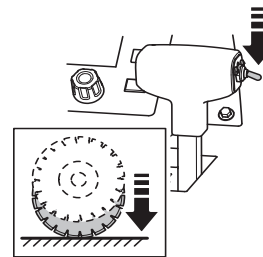
Setting the cutting depth

NOTICE! Only saw as deep as the job specifications require since deeper sawing can cause structural strength problems.

- Activate the Blade depth stop on the control panel.

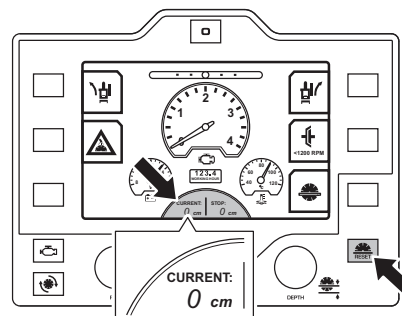


- Lower the saw by pushing the Raise/lower switch on the speed control lever downwards until the blade touches the surface to be cut. This will be the reference point.

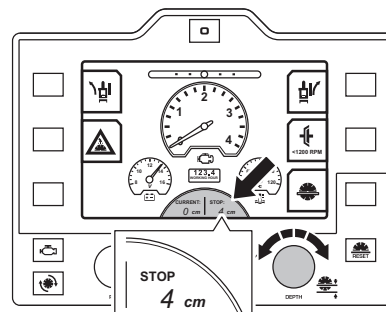


CAUTION! The touch should be smooth to prevent damaging the blade. Use Saw lowering speed control knob to slow down the lowering speed.

- Press the Blade zero button on the control panel. The current value in the display now reads 0.

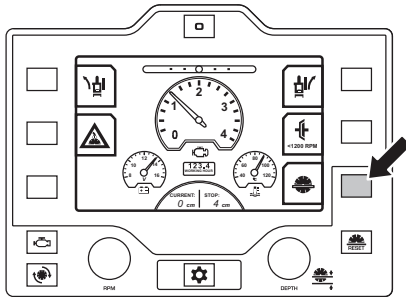


- Set the desired cutting depth by rotating the Depth knob. The chosen cutting depth is now shown in the display in small box called stop.



OPERATING

- When the blade is lowered the current cutting depth will be showing the difference between the reference point and the diamond blade.
- The saw will not lower to any depth greater than the stop position set in the display. If a deeper cut is required, turn the Blade depth knob to a new depth position. You can also disengage the Blade depth stop by pushing the Blade depth stop button to override the depth stop feature.

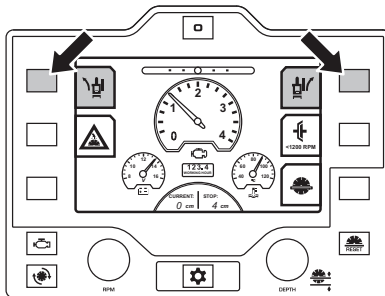


Straight line sawing

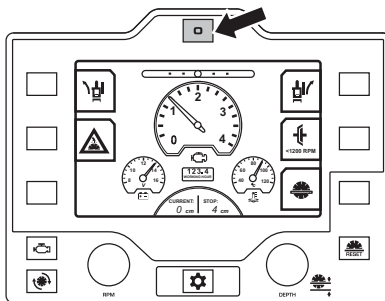
While cutting, the blade is creating resistance to driving force from rear wheels which will cause the machine to yaw in the same direction as the blade is mounted on. This effect can be counteracted by adjusting the angle of the rear axle using E-track or manual axle adjustments.

Saw with E-track

- On the control panel, push the E-track adjustment buttons representing left and right rear axle adjustments. Press several times for fine adjustments.

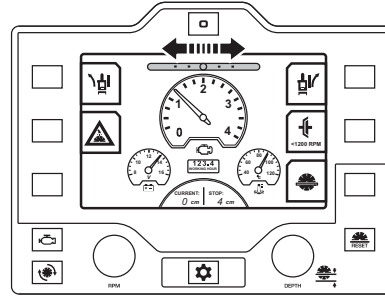


- By pressing the E-track zero button on the control panel the rear axle will return to predefined center angle.



- Return to previous setting by once again pressing the E-track zero button on the control panel.

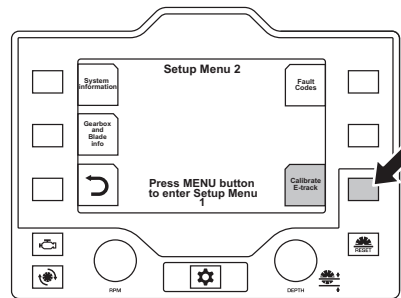
- The E-track gauge on the display will indicate the present angle of the rear axle. The change is saved both if the ignition is switched off or if the machine is without power.



- Adjustments can be made both while sawing and not sawing.
- Visually confirm the axle movement and direction.

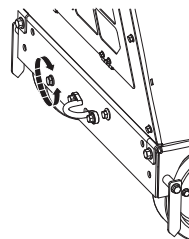
To set new center angle for E-track

- Adjust the rear axle to the desired new center angle.
- In the display enter the Setup menu 2 and press calibrate E-track button. This setting will be saved even after engine restart.



Saws with manual axle adjustment

- The rear axle is adjusted by turning the adjustment bolt located at the rear lower left of saw frame with an 18mm wrench.
- If the saw steers to the right while sawing, turn the adjustment bolt counterclockwise.
- If the saw steers to the left while sawing, turn the adjustment bolt clockwise.



Transport and storage

- Remove the blade before transportation or storage of the machine, to avoid damage to the blade.
- Remove all adjustment tools and wrenches



WARNING! Remove the cutting blade prior to lifting, loading, unloading or transporting the machine.

OPERATING

Transport

The saw is not equipped with a parking brake. It will slowly roll away by itself if left in steep grade or hill. Never leave the saw unattended in steep grade or hill unless properly secured.

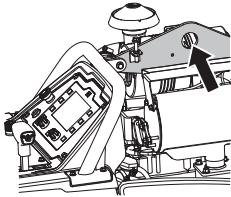


WARNING! When moving the saw up and down ramps, with engine on, use extreme caution. For steep ramps, always use a winch. Never stand below the machine. Stand only beside.

- To go down a ramp, drive the saw backwards slowly.
- To go up a ramp, drive the saw forward slowly.

Lifting the saw

- Observe care when lifting. You are handling heavy parts, which imply the risk of pinch injuries or other injuries.
- Always use the machine mounted lifting eye when lifting.



To transport by vehicle

- Secure the equipment during transportation in order to avoid transport damage and accidents. Use the factory installed tie down lugs on the saw, front and rear to prevent movement during transport.
- Do not tow this saw with another vehicle as this may damage drive components.

Storage

Store the equipment in a lockable area so that it is out of reach of children and unauthorized persons.

- Stop the engine by turning the Engine start switch to the STOP position.
- Put Speed control lever into the STOP position.
- If there is a risk of freezing, the machine must be drained of any remaining water coolant in the gearbox.

For transport and storage of fuel and battery, see the section "Fuel handling" and "Battery handling".

For transport and storage of Blades, see the section "Blades".

Long-term storage

Ensure the machine is cleaned and that a complete service is carried out before long-term storage.

- Remove the blade for storage and store it carefully.
- Grease all nipples before storage.
- Disconnect negative terminal and secure in safe distance from battery.
- Trickle charge the battery during long-term storage.

- When storing the machine for long periods the fuel tank must be full. This will minimize condensed water in the fuel system.
- Store the machine and its equipment in a dry and frost proof place.
- If the machine is stored outside, cover the machine.
- Check that the engine coolant's freezing point is adequate for temperatures where the machine is stored.
- Drain water from gearbox
- Check and empty water in fuel filter water separator.
- Change engine oil after a long-term storage

Engine-Blade shaft-Gearbox speed adjustment



WARNING! Serious injury can occur to the operator or people in the work area if the rotational speed (n/min) of the diamond blade exceeds the maximum speed (n/min) marked on the diamond blade.

Engine speed

The engine speed on these machines does not need to be changed from factory set speed. For more information, see the "Technical data" section.

Blade shaft speed

The blade shaft speed on these machines should be checked before fitting the diamond blade to the machine.

Never install a diamond blade if the blade shaft rotational speed (n/min) of the machine is greater than the maximum speed (n/min) marked on the diamond blade.

The blade shaft pulley, outer flange and inner flange may need to be changed if the diameter of the diamond blade is changed.

OPERATING

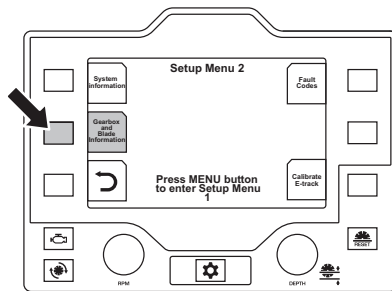
1-Speed gearbox model

Each saw model with single speed gearbox, as delivered from the factory is configured to operate with one specific blade size inside the specific blade guard installed on the machine. If a blade size must be changed to another size, within available sizes, then the blade drive configuration must be changed.

For information regarding full range of blade sizes available, contact your local sales or service provider.

If changing from a small to a very large diamond blade or vice versa on a machine with a single speed gearbox, following must be changed:

- Blade shaft pulleys
- Gearbox pulleys
- Blade shaft flanges
- Belts
- Blade Guard
- Enter gearbox and blade information inside Setup menu 2 on the display to see the specifications for wanted configuration.



See Blade size conversion charts under heading "Blade size conversion" for specific information on necessary parts. Contact your Husqvarna dealer to order.

Example: FS7000 DL 1-Speed gearbox model

To change from 20"/500mm drive to a 36"/900mm drive:

- 1 Change engine gearbox pulleys from 4.51"/114,5mm diameter to 3.5"/89mm diameter.
- 2 Change blade shaft pulleys from 4.17"/106mm diameter to 5.75"/146mm
- 3 Change blade shaft flanges (outer and inner) from 4,5"/114mm to 6"/152,5mm
- 4 Change blade guard from 20"/500mm to 36"/900mm
- 5 Change belt from 450"/11430mm to 460"/11684mm
- 6 Engine speed does not change

ENGINE SPEED / BLADE SIZE (FS 5000 D)					
BLADE SIZE	FLANGE SIZE	BLADE SHAFT		ENGINE SPEED	
		LOADED RPM	PULLEY SIZE	RATED RPM	PULLEY SIZE
14"	4,5"	3200	4.17"	3000	6"
20"	4,5"	2400	4.17"	3000	4.51"
26"	5"	1870	4.17"	3000	3.50"
30"	5"	1630	4.78"	3000	3.50"
36"	6"	1360	5.75"	3000	3.50"

FS 5000 D					
BLADE SIZE	FLANGE SIZE	RPM	FLANGE SIZE	RPM	FLANGE SIZE
350mm	114mm	3200	106mm	3000	152,5mm
500mm	114mm	2400	106mm	3000	114,5mm
650mm	127mm	1870	106mm	3000	89mm
750mm	127mm	1630	121,5mm	3000	89mm
900mm	152,5mm	1360	146mm	3000	89mm

ENGINE SPEED / BLADE SIZE (FS 5000 D)					
BLADE SIZE	FLANGE SIZE	BLADE SHAFT		ENGINE SPEED	
		LOADED RPM	PULLEY SIZE	RATED RPM	PULLEY SIZE
14"	4,5"	3200	4.17"	3000	6"
20"	4,5"	2400	4.17"	3000	4.51"
26"	5"	1870	4.17"	3000	3.50"
30"	5"	1630	4.78"	3000	3.50"
36"	6"	1360	5.75"	3000	3.50"

OPERATING

3-Speed gearbox model



WARNING! Serious injury can occur to the operator or people in the work area if the rotational speed (n/min) of the diamond blade exceeds the maximum speed (n/min) marked on the diamond blade.



CAUTION! Never shift the gears with engine running. Gearbox damage could occur. Never shift gears prior checking the blade drive configuration.

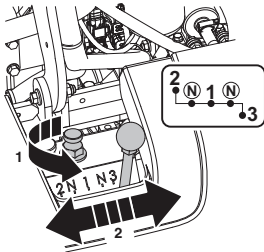
Shifting gears



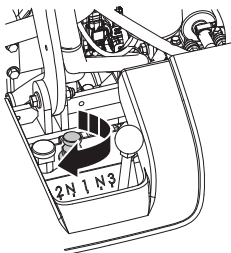
WARNING! After shifting gear, hand tight knob and tighten jam nut or the gearbox could be damaged.

The 3-speed gearbox has three speeds and two neutral positions available. This gearbox can be shifted into neutral if the blade rotation needs to be eliminated while the engine is running. If the machine is equipped with the optional blade clutch the blade clutch can be disengaged to eliminate blade rotation while the engine is running.

- Set the Engine start switch to STOP position. Always turn engine OFF before shifting gears.
- Verify that pulley size, flange size and blade shaft speed are correct for the blade size mounted on the machine.
- Loosen jam nut. Turn knob two turns.
- Move Gearbox shift lever to required gear. If gearbox seems hard to shift, a slight movement of the blade shaft may ease movement of gearbox shift lever into proper gear.



- Hand tight knob. Tighten jam nut (30 ft-lb/40 Nm).



A machine that is factory equipped with a 3-speed gearbox is designed to minimize the necessary adjustments for blade size changes. However it will require some adjustments. The machine is configured from factory to operate with a specified range of blade sizes inside the factory installed blade guard.

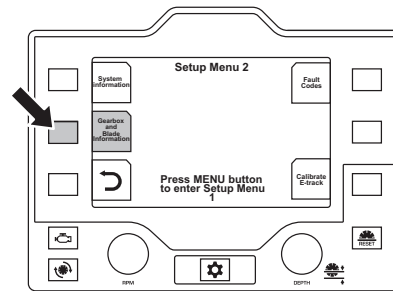
There are 4 possible machine drive configurations on these machines:

- 20-36, for 20" to 36" (500 to 900mm) blades
- 26-42, for 26" to 42" (650 to 1000mm) blades
- 750-1200, for 750-1200mm (30" to 48") blades
- 900-1500, for 900-1500mm (36" to 60") blades

If a blade size must be changed to another size, **within** the current configuration, then only the gears need to be shifted.

If a blade size must be changed to another, **outside** the current configuration, then the blade drive configuration must be changed.

- Enter gearbox and blade information inside Setup menu 2 on the display to see the specifications for wanted configuration.



See Blade size conversion charts under heading "Blade size conversion" for specific information on necessary parts.

OPERATING

For example:

To change the blade size on a blade drive configuration FS7000 DL 3-speed, 650-1000/26–42 **within** this range, requires only that gearbox shift lever be moved into the correct position (1,2 or 3).

If the required blade size is **outside** of the blade drive configuration range, below (20"/500mm) or above (30"/750mm) for this example, then the blade drive configuration must be changed. This may require shifting the gears, changing blade shaft pulleys, gearbox pulleys, belts and blade shaft flanges.

Example: FS7000 DL 3-Speed gearbox model

To change a 3-speed gearbox model from a 30"/900mm drive to a 42"/1000mm drive:

- 1 First determine the current machine drive configuration. This should correspond to the blade shaft flange diameter installed on the saw.
- 2 If the current blade drive configuration is a FS7000 DL, 3 speed 26-42/650-1000, the current flange should be 7"/178mm which is correct to use with 42"/1000mm blade.

GEARBOX RANGE / BLADE RPM (26-42, FS 7000 DL)						
GEAR	BLADE SIZE (Inches)	FLANGE SIZE	BLADE RPM	PULLEY	ENGINE RPM	PULLEY
3	26"		1860		2600	4.29"
2	36"	7"	1300	5.75"	2600	4.29"
1	42"		1110			

GEARBOX RANGE / BLADE RPM (650-1000, FS 7000 DL)						
GEAR	BLADE SIZE (mm)	FLANGE SIZE	BLADE RPM	PULLEY	ENGINE RPM	PULLEY
3	650mm		1860		2600	109mm
2	900mm	178mm	1300	146mm	2600	109mm
1	1000mm		1110			

- 3 Verify proper pulley diameters are installed. See blade size conversion charts on the display for specific information.
- 4 Shift the gears from 3 to 1.
- 5 Verify that installed blade drive configuration and blade shaft speed corresponds with information on the display, under "Gear and blade information" inside Setup menu 2.

Or.

- 1 If the current machine drive configuration is a 3 speed 500-900/20-36, the flange should be 152mm/6" which is too small for a 1000mm/42" blade and needs to change.

GEARBOX RANGE / BLADE RPM (20-36, FS 7000 DL)						
GEAR	BLADE SIZE (Inches)	FLANGE SIZE	BLADE RPM	PULLEY	ENGINE RPM	PULLEY
3	20"		2240		2600	4.29"
2	30"	6"	1560	4.78"	2600	4.29"
1	36"		1340			

GEARBOX RANGE / BLADE RPM (500-900, FS 7000 DL)						
GEAR	BLADE SIZE (mm)	FLANGE SIZE	BLADE RPM	PULLEY	ENGINE RPM	PULLEY
3	500mm		2240		2600	109mm
2	750mm	152mm	1560	121.5mm	2600	109mm
1	900mm		1340			

- 2 Change the blade shaft pulley from 4.78"/121,5mm diameter to 5.75"/146mm.
- 3 Change the outer flange and inner flange from 6"/152mm diameter to 7"/178mm.
- 4 Shift the gears from 3 to 1.
- 5 Change belts from 58"/1473mm to 60"/1524mm
- 6 Verify that installed blade drive configuration and blade shaft speed corresponds with FS7000 DL, 3 speed 26-42/650-1000 drive configuration information on the display, under "Gearbox and blade information" inside Setup menu 2.

OPERATING

Accessories

Blade guard conversion kits

Use proper size blade guard for the particular diamond blade size being operated. The following blade guards are available for these diamond blades.

Blade guards, inch/mm	Blade sizes, inch/ mm
1500/60	900-1500/36-60
1200/48	750-1200/30-48
42/1000	26-42/650-1000
900/36	20-36/500-900

See Blade size conversion charts under heading "Blade size conversion" for specific information on necessary parts.

Optional kits

585 92 46-01 Dual light kit

589 33 90-01 Water pump kit

589 65 06-01 Dual light kit CE

582 55 73-01 5th wheel kit

STARTING AND STOPPING

Before starting



WARNING! Please read the operator's manual carefully and make sure you understand the instructions before using the machine.

Wear personal protective equipment. See instructions under the heading "Personal protective equipment".

Make sure no unauthorised persons are in the working area, otherwise there is a risk of serious personal injury.

- Perform daily maintenance. See instructions in section "Maintenance and service".
- Check that the blade is not in contact with anything when the machine is started.

NOTICE! Read the operator's manual supplied by the engine manufacturer.

Starting for the first time

- Check engine oil level without blade and the saw horizontal for a flat saw level.
- Connect battery cables. The floor saw unit is supplied with no battery cables connected.

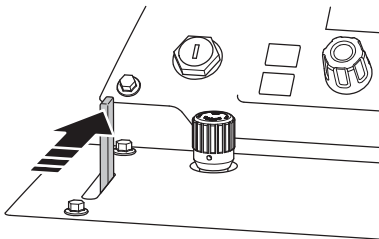
For some markets batteries are not supplied due to safety reason during transportation. Install a new battery.

For more information, see the "Technical data" section.

- Check coolant level
- Check and set units on the control panel (temperature and measures).
- Choose language on the control panel

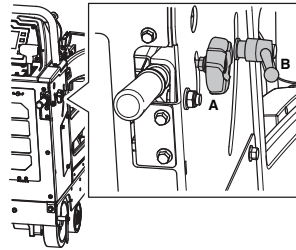
Starting

- Connect the machine to a water supply. Turn off the Water valve.

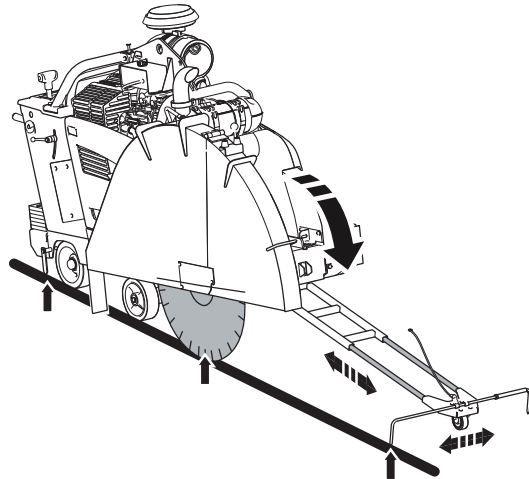


- Mark the cuts to be made.

- Pull out handle bars to desired length and height and tighten the knobs.

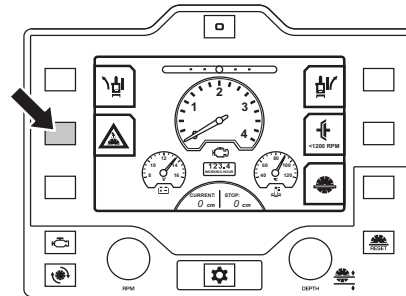


- Lower the front guide and align the front guide, rear guide and the diamond blade with the line on the surface. The front guide is telescopic, adjust the length with the screws on the inside of the front guide.



Start the engine

- To start the saw when no water pressure is present, disengage the Water safety switch.

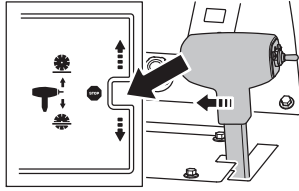


Water safety system

Water is used to prevent overheating the blade while controlling the dust that results from sawing. The water safety system monitors the water pressure to the machine and interrupts the sawing process if the pressure drops.

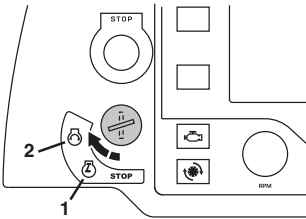
STARTING AND STOPPING

- Set Speed control lever to the STOP position. The engine will not start unless the Speed control lever is in the distinct STOP position.



NOTICE! Check to be certain, the transmission bypass valve is closed in the down position.

- When preheat symbol is displayed, wait for the engine glow plugs to warm the engine. When the preheat symbol disappears turn the Engine start switch to position engine start to start the engine.



- Let the engine warm up for several minutes with Engine throttle at idle speed (minimum).
- Do not warm up the machine outside the cutting area, with the blade installed and rotating. To fit the blade, see the instructions under the heading Fitting the blade.



WARNING! When the engine is running the exhaust contains chemicals such as unburned hydrocarbons and carbon monoxide. The content of the exhaust fumes is known to cause respiratory problems, cancer birth defects or other reproductive harm.

Carbon monoxide is colorless and tasteless and is always present in exhaust fumes. The onset of carbon monoxide poisoning is distinguished by a slight dizziness which may or may not be recognized by the victim. A person may collapse and lapse into unconsciousness with no warning if the concentration of carbon monoxide is sufficiently high. Since carbon monoxide is colorless and odorless, its presence can not be detected. Any time exhaust odors are noticed, carbon monoxide is present. Never use a combustion engine powered product indoors or in confined areas without ensuring proper ventilation.



CAUTION! Pay special attention on clutchless machines, blade starts rotating at start. For safety reason, do not move the saw sideways or out of the working area with blade installed and rotating.

NOTICE! If all start conditions are not fulfilled this will be shown on the display. Perform the action and try to start the engine again.

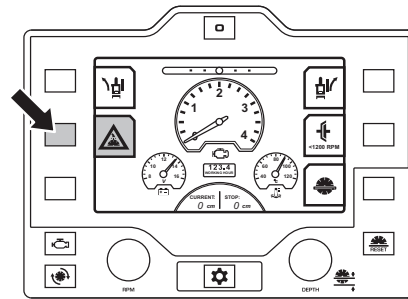
Start the cutting



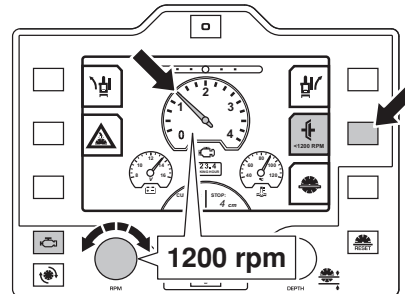
WARNING! Never use a blade with a lower speed rating than that of the machine. Make sure the blade is properly installed.

NOTICE! See chart for the appropriate blade shaft and engine speeds for specific blade sizes in the display.

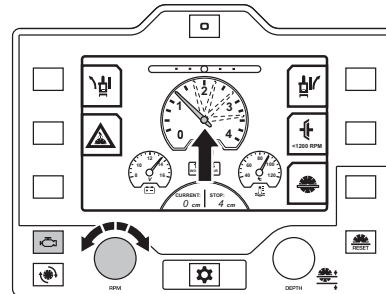
- Test for adequate water supply. Low water flow will cause damage to diamond blades. Engage the Water safety switch on the control panel and open the Water valve.



- Engage the Blade clutch (if equipped) to engage the blade drive. Only at 1200rpm or less.

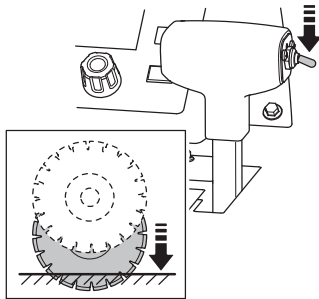


- Set the Engine throttle knob to maximum rpm.



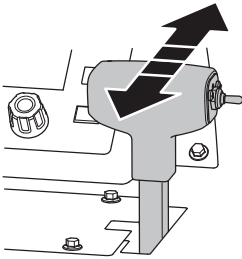
STARTING AND STOPPING

- Lower the blade by pressing the Raise/lower switch on the Speed control lever until the diamond blade is at the desired cutting depth. For more information see section "Blade depth stop".



CAUTION! When lowering the blade into a partial cut, align the blade exactly with the cut to prevent damage to the blade.

- Move the saw forward slowly by pushing on the Speed control lever. Listen to the sound of the engine. If the engine starts to slow down compensate by pulling Speed control lever backwards to decrease feeding and prevent stalling the blade. Make sure the front guide, rear guide and diamond blade stays on the line.



To adjust tracking, see the "Straight line sawing" section.

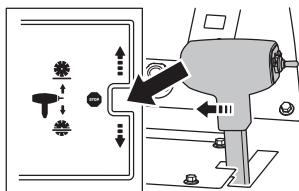
Stopping



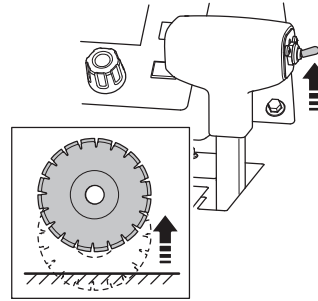
WARNING! Always keep all parts of your body away from blade and all other moving parts.

Stop the cutting

- Put Speed control lever into the STOP position.

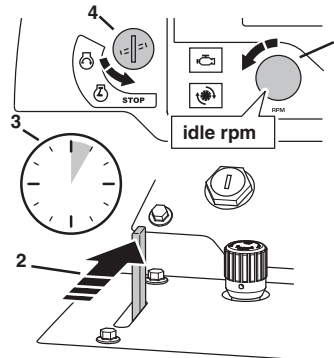


- Raise the diamond blade out of the cut by pressing the Raise/lower switch on the control lever upward until the diamond blade clears the surfaces.



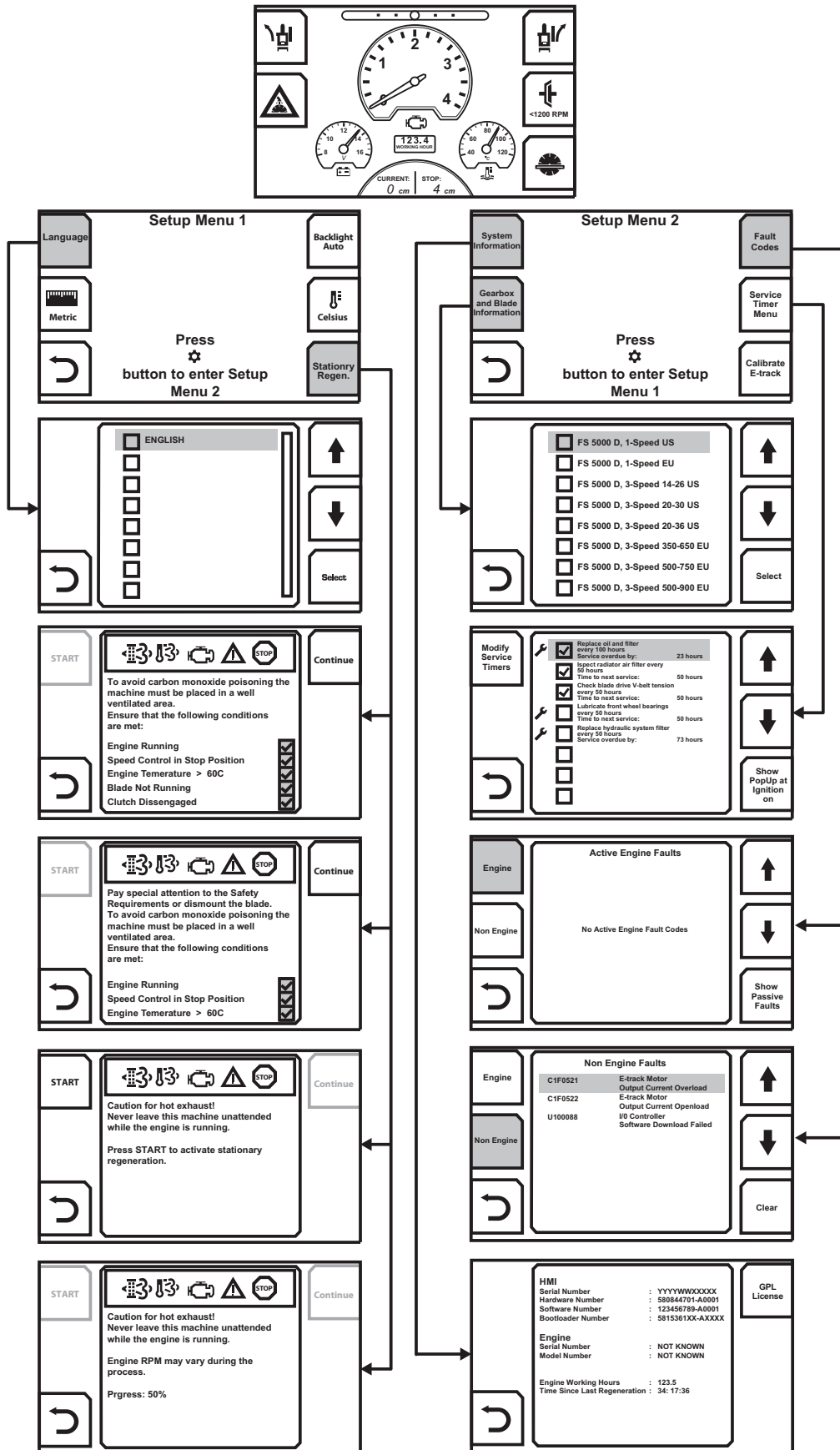
Stop the engine

- Turn the Engine throttle knob to the low idle position.
- Turn off the Water valve.
- Let the engine run at idle for a few minutes before shutting off. Do this within the cutting area and do not leave the machine unsupervised.
- Stop the engine by turning the Engine start switch to the STOP position.



MENU SYSTEM

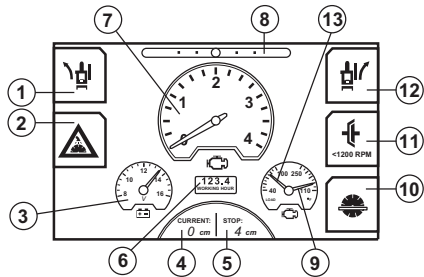
Menu overview



See following page for an explanation of each menu.

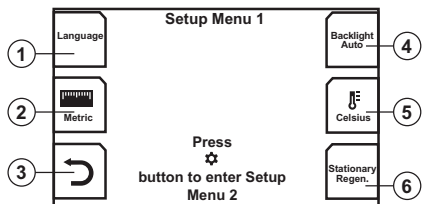
MENU SYSTEM

Menu system explanation



- 1 E-track, adjustment left
- 2 Water safety system
- 3 Battery voltage
- 4 Current blade depth
- 5 Blade depth stop setting
- 6 Run time
- 7 Engine or blade speed
- 8 E-track, position
- 9 Engine temperature
- 10 Blade depth stop
- 11 Blade clutch
- 12 E-track, adjustment right
- 13 Engine load

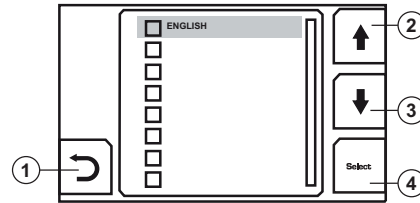
Setup Menu 1



- 1 Language
- 2 Distance unit. Switch between metric and imperial length units.
- 3 Return button (previous menu)
- 4 Backlight. Switch between three different levels of brightness and an auto setting. Auto is default.
- 5 Temperature unit. Switch between Celsius and Fahrenheit.
- 6 Stationary regeneration. The system will inform when the particulate filter needs cleaning.
See instructions in section "Maintenance and service".

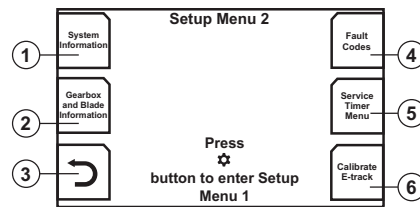
Languages

Select the required display language.



- 1 Return button (previous menu)
- 2 Browse to previous language
- 3 Browse to next language
- 4 Select button

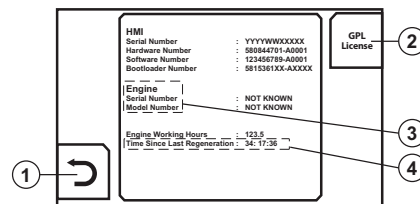
Setup Menu 2



- 1 System information
- 2 Gearbox and blade information
- 3 Return button (previous menu)
- 4 Fault codes
- 5 Service Timer Menu
- 6 Calibrate E-track. Present E track position becomes center position.

System information

Software related information.



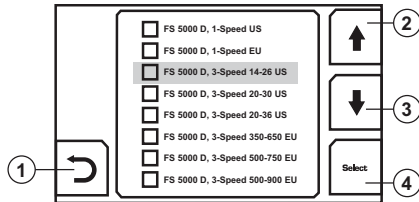
- 1 Return button (previous menu)
- 2 GPL license
- 3 Engine information.
- FS7000 DL Software ID.

MENU SYSTEM

Gearbox and blade information

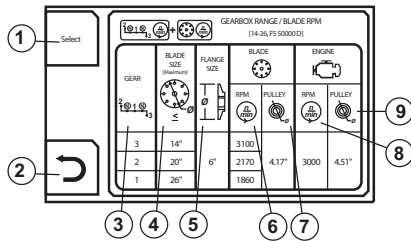
Shows the recommended rpm and gear for available blade sizes.

The tables are different depending on whether the machine is configured for 1-Speed or 3-Speed gearbox. Select your product model.



- 1 Return button (previous menu)
- 2 Browse to previous FS-model
- 3 Browse to next FS-model
- 4 Select button

Selected product's gearbox and blade information.



- 1 Select button
- 2 Return button (previous menu)
- 3 Gearbox range (3-speed gearbox)
- 4 Diamond blade diameter, inch/mm
- 5 Blade flange diameter, inch/mm
- 6 Rotational speed of diamond blade
- 7 Blade shaft pulley diameter, inch/mm
- 8 Maximum rotational speed of engine
- 9 Gearbox pulley diameter, inch/mm

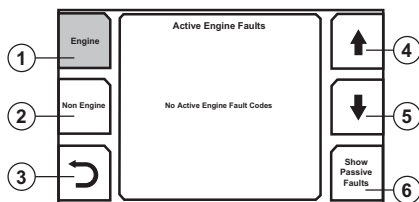
Fault codes

Shows fault codes when the machine detects a fault.

For more information, see the "Maintenance and service" section.

Engine

If there is no active or passive fault codes or if there is no contact between HMI and ECU (Engine control Unit) messages with this information will appear.

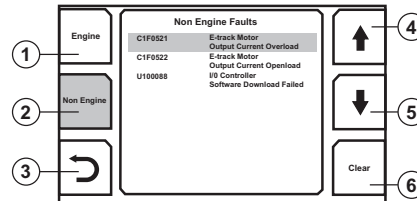


- 1 Fault codes, engine *

- 2 Fault codes, non engine-related
- 3 Return button (previous menu)
- 4 Browse to previous fault code
- 5 Browse to next fault code
- 6 Switch between active and passive engine fault codes.

* Please see the engine Operator's Manual for more information.

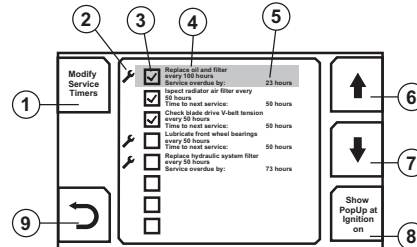
Non Engine



- 1 Fault codes, engine
- 2 Fault codes, non engine-related
- 3 Return button (previous menu)
- 4 Browse to previous fault code
- 5 Browse to next fault code
- 6 Clear rectified fault code

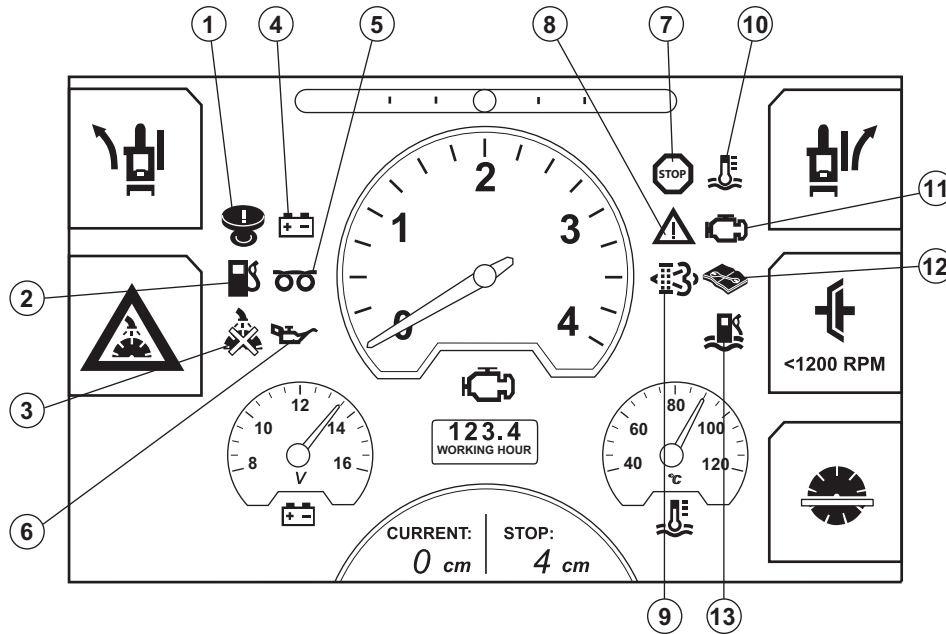
Service Timer Menu

Settings and information of the service schedule.



- 1 Button to the service mode and requires a PIN code.
- 2 Indication of service.
- 3 Indication of pop up message of service.
- 4 Type of service and how often it should be done.
- 5 The time when the next service is to be performed or the time that has passed since the service would have been carried out.
- 6 Browse to previous service message.
- 7 Browse to next service message.
- 8 Activation of pop up message for the service displayed when the ignition is switched on.
- 9 Return button (previous menu)

MENU SYSTEM



Explanation of the warning symbols on the display

- 1 **Machine in stop state** (release machine stop and cycle ignition to regain full functionality). Turned off when the following three conditions are met:
 - Engine start switch is turned off.
 - Engine speed received from ECU* equals 0 rpm for 1 second or more.
 - Blade speed is 0 rpm.
- 2 **Low fuel level.**
- 3 **No blade water pressure** Pressure switch is open (no water pressure) and blade water safety function is selected.
- 4 **No charging** Turned on when:
 - Ignition is on and engine stand still.
 - Battery voltage has not increased 15 seconds after engine start.
 - Battery voltage is below 12,8V.
 - Battery voltage is above 15V.

(Battery voltage is not checked while hydraulic pump is running or 15 seconds after the pump have stopped running as battery voltage always drop when pump is running.)
- 5 **Preheat** Please see the engine Operator's Manual for more information.

Deutz: Fault Code SO1 **

- 6 **Low oil pressure** Please see the engine Operator's Manual for more information.


Deutz: Fault Code SO1 **

Any ECU*, engine or floor saw: Fault Code SPN 100
 - 7 **Engine stop.** Cutting can not continue. For more information, see the "Troubleshooting" section.
 - 8 **Warning light.** Moderate engine problem/condition. Cutting can continue. For more information, see the "Troubleshooting" section.
 - 9 **Engine over heated.** Cutting can not continue. Please see the engine Operator's Manual for more information.

Deutz: Fault Code SO1 **
 - 10 **Engine fail lamp** always in combination with pos. 7 and 8. Please see the engine Operator's Manual for more information.
 - 11 **Active fault codes.** Non engine related fault codes are active. For more information, see the "Troubleshooting" section.
 - 12 **Water in fuel**
 - Deutz: Fault Code WFI For more information, see the "Maintenance and service" section.
- * Engine or Electronic Control Unit.
- ** HMI does not make any decision on its own. It only displays information coming from ECU*.

MAINTENANCE AND SERVICE

General



WARNING! Most accidents involving machines occur during trouble shooting, service and maintenance as staff have to locate themselves within the machine's risk area. Prevent accidents by being alert and by planning and preparing the work.

If servicing operations require the motor to be in operation, be aware of risks when working with or in the vicinity of moving parts.

Perform maintenance and servicing in accordance with this Operator's Manual to avoid shutdowns and to maintain the machine's value.

Maintain the machine's supplementary equipment and tools as well.

The user must only carry out the maintenance and service work described in this manual. More extensive work must be carried out by an authorized service workshop.

Use only original spare parts for repairs.

Measures to take in advance of maintenance, service and trouble shooting

General

- Ensure that the machine is situated in a safe area.
- Always park the machine on a level surface with the engine OFF and the Engine start switch set in the STOP position before starting. Press the Machine stop on the control panel.
- Several components heat up during use of the machine. Do not commence any servicing or maintenance tasks until the machine has cooled.
- Set out clear signs to inform persons in the vicinity that maintenance work is in progress.
- Ensure that the working area is sufficiently illuminated to create a safe working environment.
- Ascertain the location of fire-extinguishers, medical supplies and emergency telephone.
- Remove the cutting blade before performing maintenance, service or trouble shooting.


Protective equipment

- Wear personal protective equipment. See instructions under the heading "Personal protective equipment".

Working environment

- The area around the machine must be free of dirt in order to minimize the risk of slipping.

Cleaning



CAUTION! When cleaning the machine there is a risk of getting dirt and harmful substances in the eyes, for example.

Dirt and harmful substances can be released from the machine when using high pressure equipment.

High-pressure jetting using water or air can permeate into the skin and cause serious injury. Never aim a high-pressure jet towards the skin.

After each use clean the machine when cooled down.

Cleaning method

The cleaning method varies depending on type of contaminants and how dirty the machine is. A mild degreasing agent can be used. Avoid skin contact. Use high-pressure washers to clean the machine.

Cleaning of components

There are a number of components that require special consideration when cleaning.

NOTICE! Do not use high-pressure washers to clean the control panel. Make sure the cover for relay and fuse box is in place before washing.

Radiator

Allow the radiator to cool down before cleaning. Use compressed air to clean the air fins. If necessary, use high-pressure washing and degreasing agent. Incorrect use of high-pressure washing or compressed air can distort the cooler's fins and thereby impair the cooling capacity.

- Spray directly towards the radiator, in parallel with the fins.
- Keep a distance of at least 40 cm between the cooler and the nozzle.

Control Panel

- Clean electrical components with a cloth or with compressed air. Do not spray water at electrical components. Dry the control panel with a damp cloth.

Engine

- Keep a distance of at least 40 cm between the nozzle and engine and its components. Do not spray too aggressively on the engine to prevent damage to electrical components like electrical plugs and alternator. Do not spray water directly in to the exhaust pipe or in engine air filter.

After washing

- Lubricate all the machine's lubrication points.
- Blow electrical terminals dry using compressed air.
- Let the machine dry thoroughly before start.
- Exercise caution when the machine is started after washing. If any components have been damaged due to moisture, the machine's movements can be defective.

MAINTENANCE AND SERVICE

Service schedule

The service schedule is based on the machine's operating time. More frequent service intervals might be necessary when working in dusty or hot environments and in conjunction with work that generates high temperatures. A description of how the operations are to be performed is to be found in the service review.

For certain service requirements, refer to the service intervals in the service schedule below and keep track on the next service. The machine will keep track on the working hours and it can be seen in the display.

- Always park the machine on a level surface with the engine OFF and the Engine start switch set in the STOP position before performing any maintenance. Press the Machine stop on the control panel.

Please read the engine manual for your machine carefully and make sure you understand the instructions before using the machine. There are some maintenance intervals specified in the engine manual.

In case where same services operation is recommended both in this machine's operator manual and in the engine operator manual, follow the schedule recommendations given in this manual.

Daily Maintenance

Daily maintenance must also be carried out after transportation.

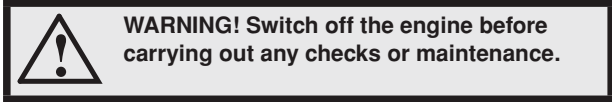
	Daily	50h	100h	250h	500h	Yearly
Check radiator coolant level.	X					
Check the engine's oil level	X					
Check blade guard for damage	X					
Check hoses and clamps for damage or looseness. Tighten or replace as required.	X					
Check air cleaner restriction indicator. Clean outer air filter if indicator is red.	X					
Make sure all safety guards are in place and in good condition.	X					
Drain cooling water from gearbox to prevent rust and/or freeze damage.	X					
Check the water spray over the diamond blade.	X					
Drain fuel filter water separator from water	X					
Lubricate hydraulic cylinder pivot pin.	X					
Replace engine oil and filter*		X				
Check and clean radiator air filter or replace if necessary.		X				
Check blade drive V-belt tension (first time after 2 hours). Tension both side evenly. Do not over tension		X				
Lubricate front wheels		X				
Replace hydraulic system filter**		X				
Replace engine oil and filter*			X			
Lubricate front axle pivot bearings			X			
Check wheels for wear or damage.			X			
Check rear wheel hubs and wheels for looseness			X			
Check engine air cleaner hose and clamps			X			
Check hydraulic system fluid level			X			
Replace hydraulic system filter**				X		
Lubricate blade shaft (2 pumps each end)				X		
Lubricate rear axle bearing.				X		
Replace engine gearbox fluid					X	
Replace hydraulic system fluid					X	
Replace engine fuel filter (spin-on-type)					X	
Flush and clean radiator and cooling system					X	
Replace outer and inner air filter						X
Check coolant freeze protection						X

* Once at 50h then every 100h

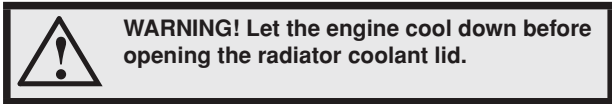
** Once at 50h then every 250h

MAINTENANCE AND SERVICE

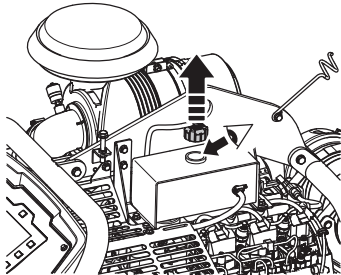
Daily Maintenance



Check radiator coolant level.



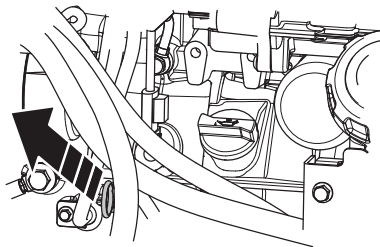
- Remove the lid and look down, the level should reach the start of the tube inside. Fill with coolant if needed.



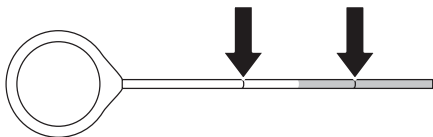
Check the engine's oil level

Check engine oil level without blade and the saw horizontal for a flat saw level.

- On the left side of the saw, check the engine oil level.

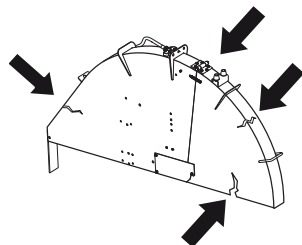


- Make sure the level is between the limits.



Check blade guard for damage

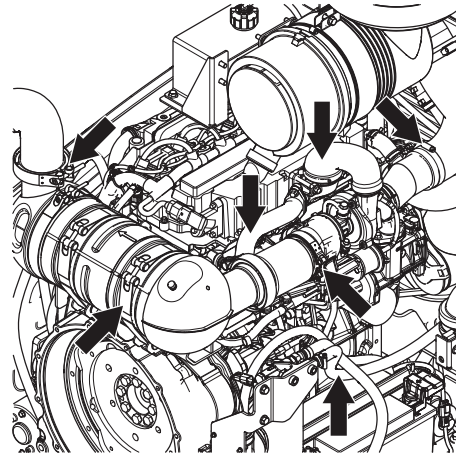
- Check the blade guard for cracks.



- Never use a broken or damaged blade guard.

Check all hoses and clamps for damage or looseness.

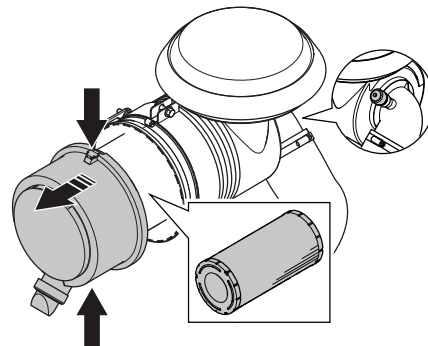
The image only shows some of the hoses and clamps.



- Look for leakage on fuel, hydraulics and cooling system. Tighten or replace as necessary.

Check air cleaner restriction indicator.

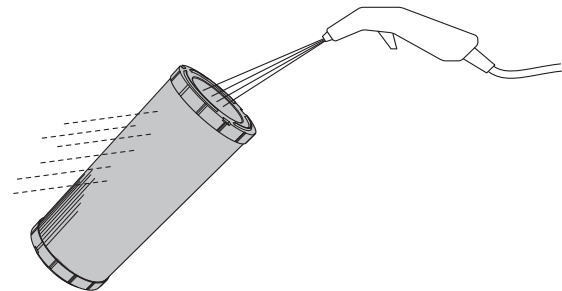
- Check and clean the outer air filter if the air cleaner indicator is red, remove the rear cover by opening the 3 air filter housing clamps and pulling the housing off.



- Clean the filter by blowing the element from inside out.

Use the lowest possible air pressure to remove the dust without damaging the element.

Use 42-47 PSI (0,29-0,49 MPa; 3,0-5,0 kgf/cm²) compressed air to remove particulates.



- Replace any damaged filters or gaskets and check air hose and clamps for damages or looseness. Tighten or replace as required.

NOTICE! No need to clean the inner filter on a daily basis. The 3 air filter housing clamps can not be closed unless the outer air filter is properly installed.

MAINTENANCE AND SERVICE

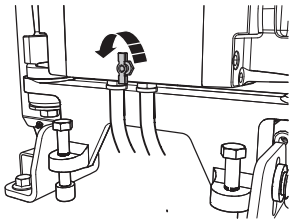
Protection covers

- Make sure all protection covers are in place and in good condition.

For more information, see the "Machine's safety equipment" section.

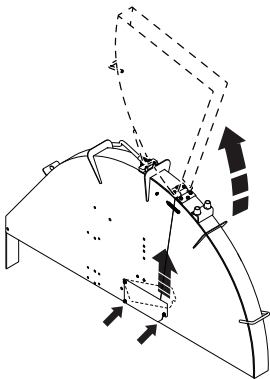
Drain cooling water from gearbox to prevent rust and/or freeze damage.

- To drain water from gearbox, turn the drain tap counterclockwise to open and clockwise to close.

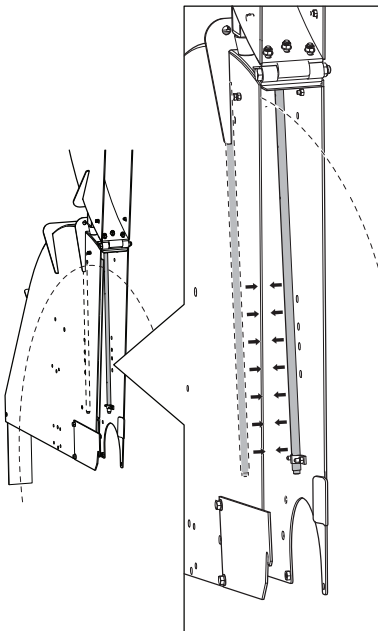


Check the water spray over the diamond blade.

Raise blade guard front and use spring hook to lock it in upright position.

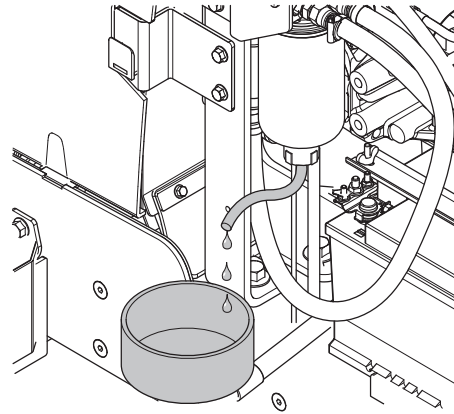


- Open the Water valve on the control panel. Make sure it is straight jets of water out of the holes from the water pipes on both sides of the blade and no leakage. Replace water pipe if damaged.



Drain fuel filter water separator from water

- Drain the fuel filter water separator by using the hose in the bottom. Put the hose in a bottle or a can, loosen the drain tap and drain any water collected inside the separator.



NOTICE! Treat this water as fuel and dispose properly.

After the first 50 hours

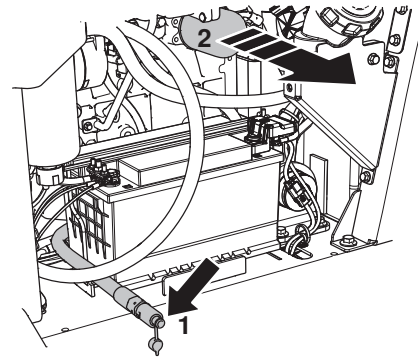
Replace engine oil and filter

- Remove the top cap from the hose. Open the valve and bend it down to empty the system.

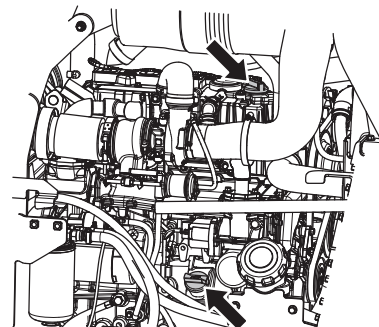
Remove the filter and replace it.

Fill the new filter with oil and lubricate the seal with a few drops of oil prior to refitting it.

NOTICE! Protect the battery from oil spill prior to removing and refitting.



- Refill the system at either of 2 locations on the engine.

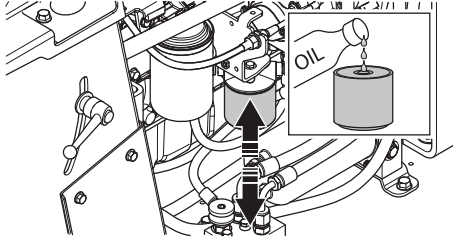


MAINTENANCE AND SERVICE

- Check the engine's oil level, see instructions under heading "Daily maintenance".

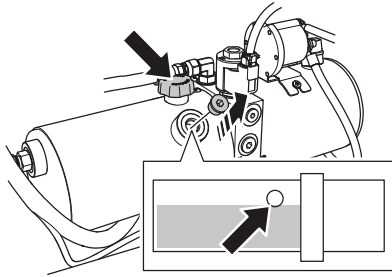
Replace the hydraulic system filter.

- Remove the hydraulic system filter. Fill the new filter with oil and lubricate the seal with a few drops of oil prior to refitting it.



- Refill the reservoir with new oil.

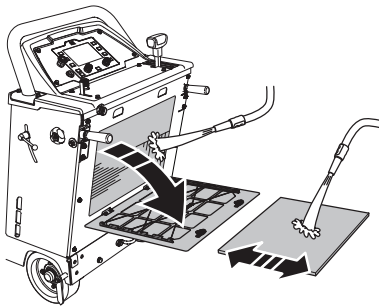
Ensure that machine is level prior refilling.



NOTICE! Do not overfill!

50 hours service

- Check and clean radiator air filter or replace if necessary.

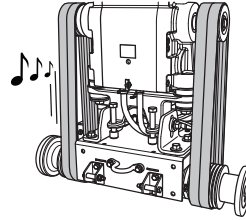


CAUTION! Always keep the radiator air filter in place

Check drive V-belt tension.

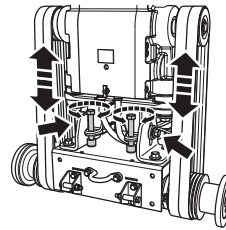
The V-belts are properly tensioned at the factory but after a few hours of operation they will stretch and become loose. Loose V-belts result in poor saw performance and short belt life.

- Check the blade drive V-belt tension by plucking the belt like a string. The belt should give a long tone rather than a dull sound.

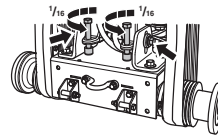


To tension the belts.

- Open the front cover. Loosen the two horizontal locking bolts with the blade shaft wrench, raise the gearbox and engine by using the belt tensioning bolts. Turn both of these bolts clockwise until V-belts are tight and check the belt by plucking it again.



- Fasten the two horizontal bolts again.
- Loosen the belt tensioning bolts counterclockwise approximately 1/16 of a turn.



CAUTION! Be sure to tension both sides evenly, do not over tension.

Replace V-belts in complete sets only. Always re-tension new belts after first 2-4 hours of use.

Lubricate front wheels

See instructions under the heading "Lubrication".

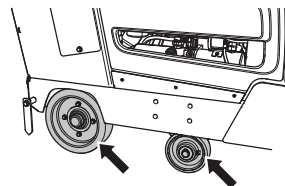
100 hours service

Replace engine oil and filter

See instructions under the heading "After the first 50 hours"

Check wheels for wear or damage.

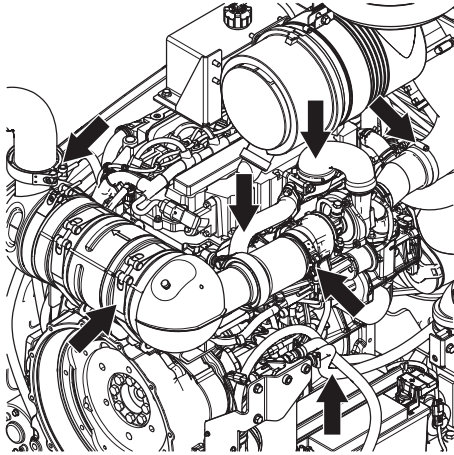
Check rear wheel hubs and wheels for looseness



MAINTENANCE AND SERVICE

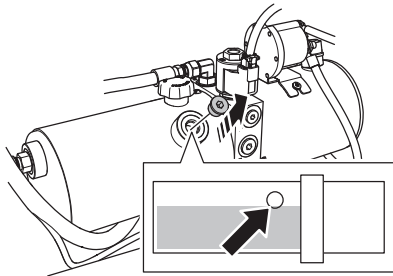
Check engine air cleaner hose and clamps

The image only shows some of the hoses and clamps.



Check hydraulic system fluid level

- Remove the plug in the inspection opening on the hydraulic reservoir. The level should be to the bottom edge of the opening on the hydraulic reservoir, fill if necessary.



NOTICE! Do not overfill!

Lubricate front axle pivot bearings

See instructions under the heading "Lubrication".

250 hours service

Replace the hydraulic system filter.

See instructions under the heading "After the first 50 hours"

Lubricate blade shaft (2 pumps each end)

See instructions under the heading "Lubrication".

Lubricate hydraulic cylinder pivot pin.

See instructions under the heading "Lubrication".

Lubricate rear axle bearing.

See instructions under the heading "Lubrication".

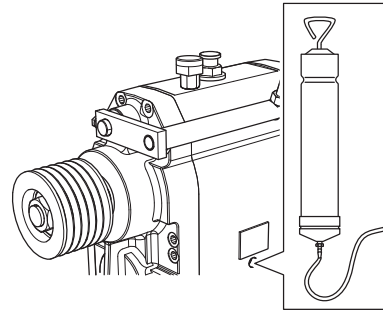
500 hours service

Replace engine gearbox fluid

Select one of the following options to drain gearbox fluid:

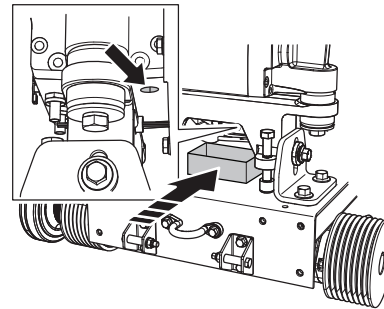
Option 1

- Open the window by removing the plug and suck the oil out with an oil extractor.

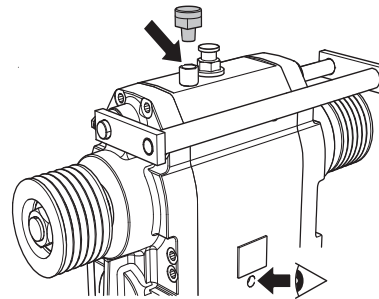


Option 2

- Slip a vessel under the bell housing of the engine. Loosen the screw and drain the oil. Once the system is empty, fasten the screw.



- Refill the system by removing the left screw and pour oil into the tube. Look in the window and fill until the correct level is reached.

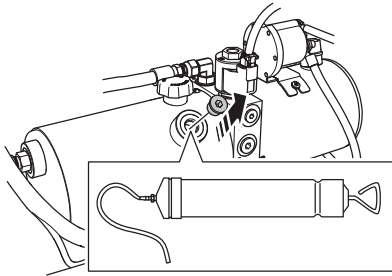


- Refit the screw and follow the steps in reverse order.

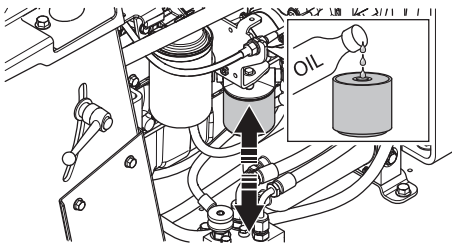
MAINTENANCE AND SERVICE

Replace hydraulic system fluid

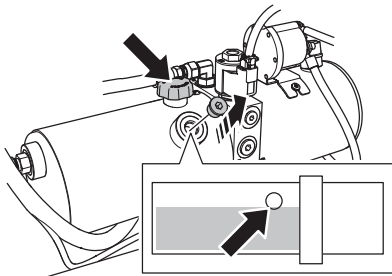
- Remove the plug in the inspection opening on the hydraulic reservoir and use an oil extractor to suck out the fluid through the inspection opening.



- Replace the hydraulic system filter. Fill the new filter with oil and lubricate the seal with a few drops of oil prior to refitting it.



- Refill the reservoir with new oil. Ensure that machine is level prior refilling.



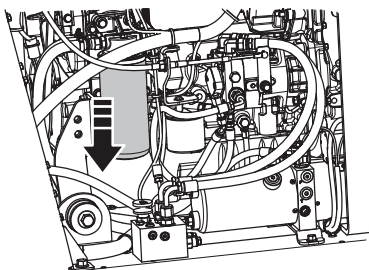
NOTICE! Do not overfill!

Replace engine fuel filter (spin-on-type)

NOTICE! Maintenance of the fuel filter should be done after the valve of the pre-filter is closed.

Make sure the valve is open before you start the engine (see engine manual)

- Remove the fuel filter by turning it counterclockwise. Replace the fuel filter. Beware of diesel that may spill. Fill the new filter with diesel and lubricate the seal with a few drops of diesel prior to refitting it.

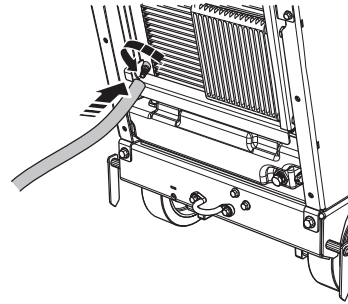


Flush and clean radiator and cooling system



CAUTION! Let the engine cool down before opening the radiator coolant lid.

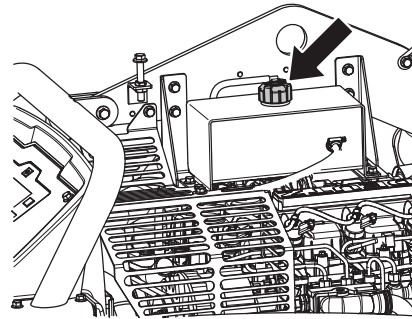
- Remove the back cover, put an extension on the valve and open the valve. Remove the lid on top and empty the system.



- Close the valve and refill the radiator coolant.

For more information, see the "Technical data" section.

Fill up until the coolant level is between the two marks on the radiator coolant overflow bottle when engine is cool.



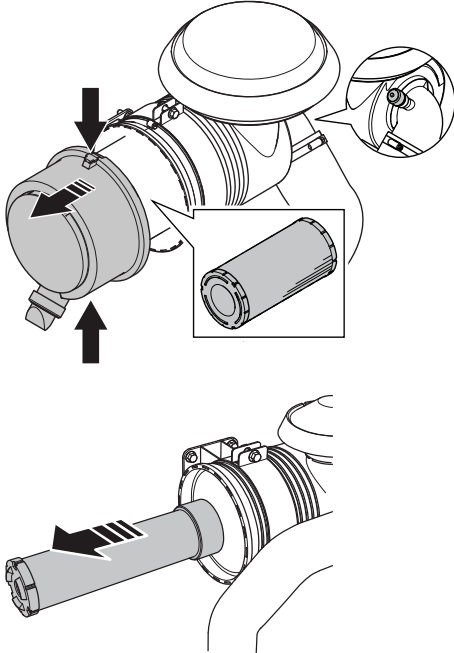
The coolant level should reach the start of the tube inside.

MAINTENANCE AND SERVICE

Yearly maintenance

Replace outer and inner air filter

Remove the rear cover by opening the 3 air filter housing clamps and pulling the housing off. Replace both filters and refit them in reverse order.



CAUTION! The 3 air filter housing clamps can not be closed unless the outer air filter is properly installed.

Check coolant freeze protection

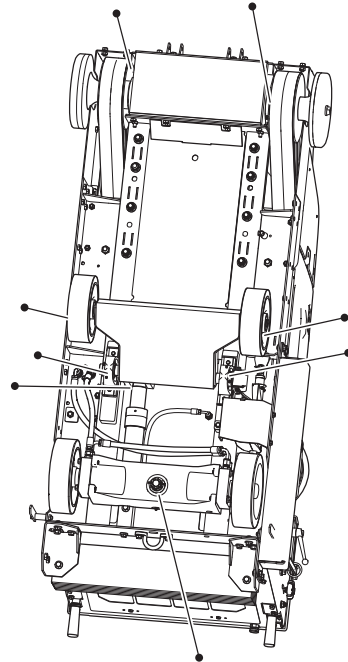
Maintain 50/50 mixture of glycol and water. For more information, see the "Technical data" section.

Lubrication

The image shows all the lubrication points (8 grease nipples). Clean the nipple. Replace broken or blocked nipples.

- Lubricate the front wheels.
- Lubricate the front axle pivot bearings.
- Lubricate the blade shaft. Two pumps at each end.
- Lubricate hydraulic cylinder pivot pin.

- Lubricate rear axle bearing.



TROUBLESHOOTING

Incidents during sawing

CAUTION! If the engine or blade stops for any reason, raise the blade completely from the cut. Set the Engine start switch to STOP position. Press the Machine stop on the control panel. Inspect the machine thoroughly before restarting the engine.

- Entrust all repairs to your authorized dealer only

Problem	Message on the display	Cause	Possible action
Engine stops during sawing	Warning symbol*	Engine out of fuel.	Refill with fuel
	No blade water pressure	Lack of water signals the Water safety switch to stop the engine	Disengage the Water safety switch and check water supply, then restart the engine.
	Warning symbol*		
	Machine stop pressed: Restore machine stop and cycle ignition.	The Machine stop has been pressed down	Reset the machine stop by pulling the knob outward.
	Warning symbol*		
		Excessively fast cutting will stall the engine	Listen to the sound of the engine. If the engine starts to slow down compensate by pulling Speed control lever backwards to decrease feeding and prevent stalling the blade.
		Circuit breaker fuse is blown	Inspect and replace fuses
The diamond blade stops during sawing		Drive belt tension is inadequate	Check the tension of the drive belt.
		The Blade clutch (if equipped) has been disengaged.	Engage the Blade clutch (if equipped) to engage the blade drive. Only at 1200rpm or less.
		The Blade clutch (if equipped) has an electrical failure or blown fuse.	Inspect and replace fuses
Saw lowers too fast		The valve that controls the saw lowering is open too much.	The lowering rate of the saw can be adjusted using the Saw lowering speed control knob at the control panel. If the saw lowers too quickly, turn the knob clockwise until an adequate lowering rate is set.
The blade cuts too slowly.		The blade has become dull or it is too high feeding pressure	Decrease the cutting depth and engine speed for a short time
The control unit reboots during cranking		The battery voltage is too low	Charge battery, change battery or use jump leads

* For more information about warning symbols, see section "Menu system".

TROUBLESHOOTING

Error messages

Fault Code	Message on the display	DTC description	Indication on the machine	Possible action
U100087	I/O Controller	No CAN communication	Engine can not be started. No machine function can be controlled.	Check damage to connectors X1, X4, X14 and chassis harness. If found, repair and restart system, reset fault code.
				If problem still exists, contact your service agent for further information.
U100088	I/O Controller	Software download failed		Contact your service agent.
P060745	IOC MPU	Program memory failure		Contact your service agent for further information.
P060742	IOC MPU	General memory failure		
C1F0612	Crank signal	Circuit short to battery	Engine can not be started.	Check damage to key switch, key switch connectors X30, X32 and harness. If found, repair and restart system, reset fault code.
C1E0111	Blade depth sensor signal	Circuit short to ground	Blade depth can not be displayed. Blade depth stop can not be used.	Disconnect sensor and reset fault code. If fault code no longer exists check sensor and sensor harness.
				Check damage to X13 and X14 connectors and harness to sensors. If found, repair and restart system, reset fault codes.
C1E0112	Blade depth sensor signal	Circuit short to battery		Contact your service agent for further information.
C1D0115	Starter	Circuit short to battery or open	Engine starter can not be controlled. Cutting can not continue.	Check damage to X14 and X1 connector and harness. If found, repair and restart system, reset fault code.
				If problem still exists, contact your service agent for further information.
C1D0111	Starter	Circuit short to ground	Engine can not be started.	
C1D0711	Power supply external device	Circuit short to ground	Cutting can not continue.	Check cables to: Blade depth sensor and sensor itself E-track position sensor and sensor itself
C1D0712	Power supply external device	Circuit short to battery	May not be able to read sensor values.	Neutral start switch and switch itself Lower/raise switch and switch itself Water safety switch and switch itself
C1D0815	AUX1	Circuit short to battery or open	AUX1 can not be controlled by the HMI.	Check K4 relay in relay/fuse box.
				Check damage to X14 connector, harness to relay/fuse box and relay/fuse box connector. If found, repair and restart system, reset fault code.
C1D0811	AUX1	Circuit short to ground		If problem still exists, contact your service agent for further information.
C1D0215	AUX2	Circuit short to battery or open	AUX2 (5th wheel) can not be controlled by the HMI.	Check K5 relay in relay/fuse box.
				Check damage to X14 connector, harness to relay/fuse box and relay/fuse box connector. If found, repair and restart system, reset fault code.
C1D0211	AUX2	Circuit short to ground		If problem still exists, contact your service agent for further information.
C1D0315	Blade clutch	Circuit short to battery or open	Blade clutch can not be controlled by the HMI. Blade might be engaged or disengaged the whole time.	Check K7 in relay/fuse box.
				Check damage to X14 connector, harness to relay/fuse box and relay/fuse box connector. If found, repair and restart system, reset fault code.
C1D0311	Blade clutch	Circuit short to ground		If problem still exists, contact your service agent for further information.

TROUBLESHOOTING

C1D0615	Water pump	Circuit short to battery or open	Water pump can not be controlled by the HMI. May not be able to turn on.	Check K2 in relay/fuse box.
				Check damage to X14 connector, harness to relay/fuse box and relay/fuse box connector. If found, repair and restart system, reset fault code.
C1D0611	Water pump	Circuit short to ground	Water pump can not be turned on.	If problem still exists, contact your service agent for further information.
C1D0915	Working light	Circuit short to battery or open	Working light can not be controlled by the HMI. May not be able to turn on.	Check working light relay K3 in relay/fuse box.
				Check damage to X14 connector, harness to relay/fuse box and relay/fuse box connector. If found, repair and restart system, reset fault code.
C1D0911	Working light	Circuit short to ground		If problem still exists, contact your service agent for further information.
C1D0C15	Ignition	Circuit short to battery or open	Engine can not be started.	Yanmar:
				Check K8 in relay/fuse box.
				Check damage to X14 connector, harness to relay/fuse box and relay/fuse box connector. If found, repair and restart system, reset fault code.
				Also check the machine stop (X33) and X30.
				If problem still exists, contact your service agent for further information.
				Deutz:
C1D0C11	Ignition	Circuit short to ground		Check damage to X14 and X1 connector and harness. If found, repair and restart system, reset fault code.
				If problem still exists, contact your service agent for further information.
C1D0D15	Hydraulic lift pump	Circuit short to battery or open	Hydraulic lift pump can't be used for raising the blade.	Check K6 in relay/fuse box.
				Check damage to X14 connector, harness to relay/fuse box and relay/fuse box connector. If found, repair and restart system, reset fault code.
C1D0D11	Hydraulic lift pump	Circuit short to ground	Hydraulic lift pump can't be used for raising the blade.	If problem still exists, contact your service agent for further information.
C1D0E15	Hydraulic lowering valve	Circuit short to battery or open	Hydraulic lowering valve can't be used for lowering the blade.	Check that hydraulic valve is properly connected.
				Check damage to X14 connector, harness and hydraulic valve. If found, repair and restart system, reset fault code.
				If problem still exists, contact your service agent for further information.
C1D0E11	Hydraulic lowering valve	Circuit short to ground		Check damage to X14 connector, harness and hydraulic valve. If found, repair and restart system, reset fault code.
				If problem still exists, contact your service agent for further information.
C1E0511	E-track position sensor	Circuit short to ground	Cutting can continue but E-track position can not be detected until fault is resolved.	Check damage to actuator, connector and harness. If found, repair and restart system, reset fault code and recalibrate.
C1E0512	E-track position sensor	Circuit short to battery		If problem still exists, contact your service agent for further information.

TROUBLESHOOTING

C1F0112	E-track motor A	Circuit short to battery	Cutting can continue but E-track can not be used for drift compensation until fault is resolved.	Disconnect E-track and reset fault code. Press left and right E-track button in an attempt to control E-track. If fault code doesn't appear again check damage to E-track actuator, harness and connector. (Fault codes C1E0511 and C1E0512 may appear instead since E-track is not connected.)
C1F0111	E-track motor A	Circuit short to ground		If fault code still exists check damage to cowling harness and connector. If found, repair and reset fault codes.
C1F0212	E-track motor B	Circuit short to battery		
C1F0211	E-track motor B	Circuit short to ground		
C1F0521	E-track motor	Output current overload	Cutting can continue but E-track can not be used for drift compensation until fault is resolved.	Check if E-track is stuck or jammed, and if so, resolve the problem and reset fault codes. Try E-track again after 1 minute. If fault code still exists check contact your service agent for further information.
C1F0513	E-track motor	Circuit open	Cutting can continue but E-track can not be used for drift compensation until fault is resolved.	Check connection between E-track harness to Cowling harness. Check connection between E-track actuator and E-track harness. Check damage to E-track and harness. If found repair and reset fault codes.
U100187	Engine ECU	No CAN communication	Cutting can not continue. No information available from ECU.	Check damage to connectors X1, X4, X14 and harness. If found, repair and restart system, reset fault code.
				If problem still exists, contact your service agent for further information.

TECHNICAL DATA

Battery

	FS7000 DL
Terminal type	Standard SAE
Voltage, V	12
CCA, A	765
Maximum size (LxWxH), mm/inch	316x175x190 / 12-7/16x6-7/8x7-1/2

Hydraulic fluid and lubricants

Hydraulic fluid

Quality	Standard
SAE 15W40	API Class SE
	API Class CC
	API class CD

Lubricants

Component	Model	Quality	Standard	Oil tank capacity, qt/litre
Engine oil (low ash oil only)	FS7000 DL	SAE 15W40 or SAE 10W30	API CJ-4	9/8,5
			ACEA E6-08	
			ACEA E9-08	
Gearbox oil	(3-speed gearbox)	SAE 75W90		1,87/1,77
	(1-speed gearbox)			1/0,95
Lubrication points (baseplate)*		NLGI 2	SAE J310	

* See instructions in section "Maintenance and service".

Coolant fluid

Ethylene glycol and water, 50/50 mixture (coolant at delivery)
Propylene glycol and water, 50/50 mixture



CAUTION! Do not mix directly into the machine's tank, it is difficult to determine when it's 50/50 mixture. Mix 50/50 for best cooling performance and corrosion protection of the engine.

TECHNICAL DATA

Technical data

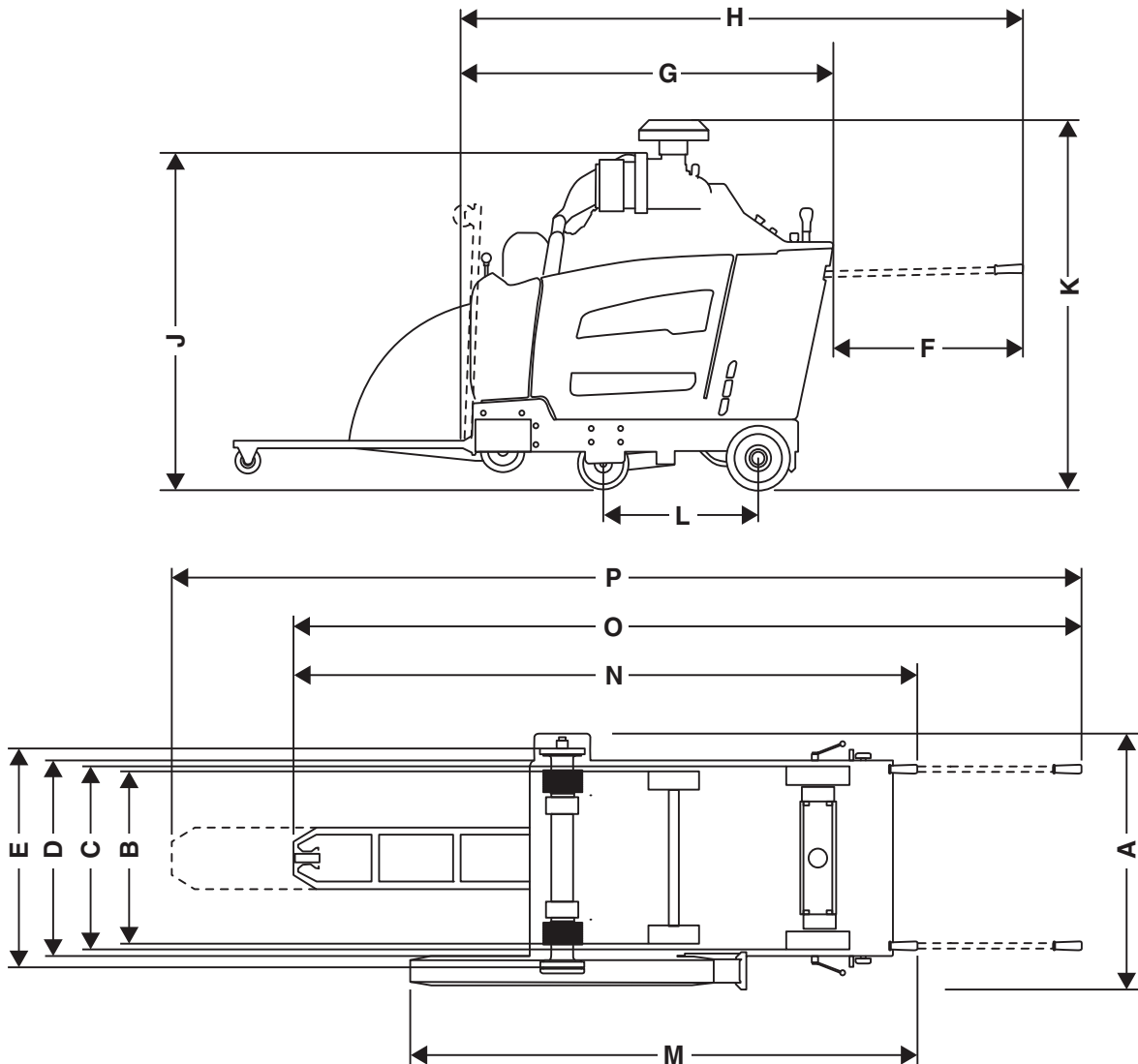
Saw feature	36/900	42/1000	48/1200	60/1500
Blade guard capacity, inch/mm	36/900	42/1000	48/1200	60/1500
Maximum cutting depth, inch/mm	15/374	17,5/411	20/498	25/623
Blade shaft, rpm	1354	1150	1015	792
Approximate blade shaft output, hp/kW	68/50			
Arbor size, inch/mm	1/25,4 with 6 screws			
Quick disconnect blade flange Ø, inch/mm	6/152,5	7/178	8/203,2	10/254
Blade shaft diameter, inch/mm	2 1/2 / 63,5			
Blade shaft bearings	Cast sealed blade shaft with 2 maintenance-free angular contact ball.			
Blade shaft drive	Dual 4-rib banded 3VX V-belts per side (16 ribs total)			
Blade coolant	Zinc plated dual multiple-jet water spray tubes			
Blade guard attachment	Slip-on, auto-latch		Bolt on	
Blade control	Electro-hydraulic pump raises blade; Switch controlled raise/lower on speed control handle; Software controlled depth stop and cutting depth indicator; Blade drive disengagement system (clutch); Quick disconnect blade flanges			
Axle Ø, inch/mm	Front, 25.4/1			
	Rear, easy adjust center pivot with 2 hydraulic powered wheel motors			
Wheels, inch/mm	Front, 9x3x1 / 229x76x25, thick polyurethane tread, sealed ball bearing requiring less maintenance		Front, 9x3x1 / 229x76x25, thick polyurethane tread, sealed ball bearing requiring less maintenance	
	Rear, 10x3x1.25/254x76x32, solid rubber, quick disconnect			
Transmission	Hydrostatic pump, with 2 hydraulic wheel motors connected with hoses, neutral start switch, single handle speed control, hydraulic bypass valve for pushing			
Max. ground speed	Infinitely variable: 0-76m/min / 0-250 fpm forward and reverse. 25m/min maximum reverse speed on CE models.			
Chassis	Heavy duty, rigid, box and channel section construction			
Weight (uncrated), lb/kg	1042/2297	1065/2347	1068/2355	1306/2879
Maximum operating mass, lb/kg	1092/2407	1123/2476	1134/2500	1393/3071

TECHNICAL DATA

Saw dimensions

FS7000 DL (36" - 48")

A	Width, inch/mm		39/990	H	Saw length (pointer up, handles extended), inch/mm	95 1/8 / 2417
B	Center to center wheel width, inch/mm	Front	23 3/4 / 604	J	Min. overall height (no exhaust pipe, no pre-cleaner cap), inch/mm	51 7/8 / 1319
		Rear	25 3/8 / 646	K	Max. overall height (top of pre-cleaner), inch/mm	59 / 1499
C	Outside to outside wheel width, inch/mm	Front	26 3/4 / 680	L	Wheel base length, inch/mm	23 1/2 / 597
		Rear	28 3/8 / 722	M	Guard to handle length (handles in), inch/mm	97 1/16 / 2465
D	Frame width, inch/mm		29 1/2 / 750	N	Max. overall length (handles in), inch/mm	110 / 2793
E	Inner flange to inner flange width, inch/mm		830 / 32 5/8	O	Max. overall length (handles extended, pointer down), inch/mm	137 1/8 / 3483
F	Handle extension, inch/mm		31 7/8 / 809	P	Max. overall length (handles extended, pointer extended), inch/mm	156 1/16 / 3963
G	Min. saw length (handles removed, pointer and guard up), inch/mm		76 7/16 / 1941			

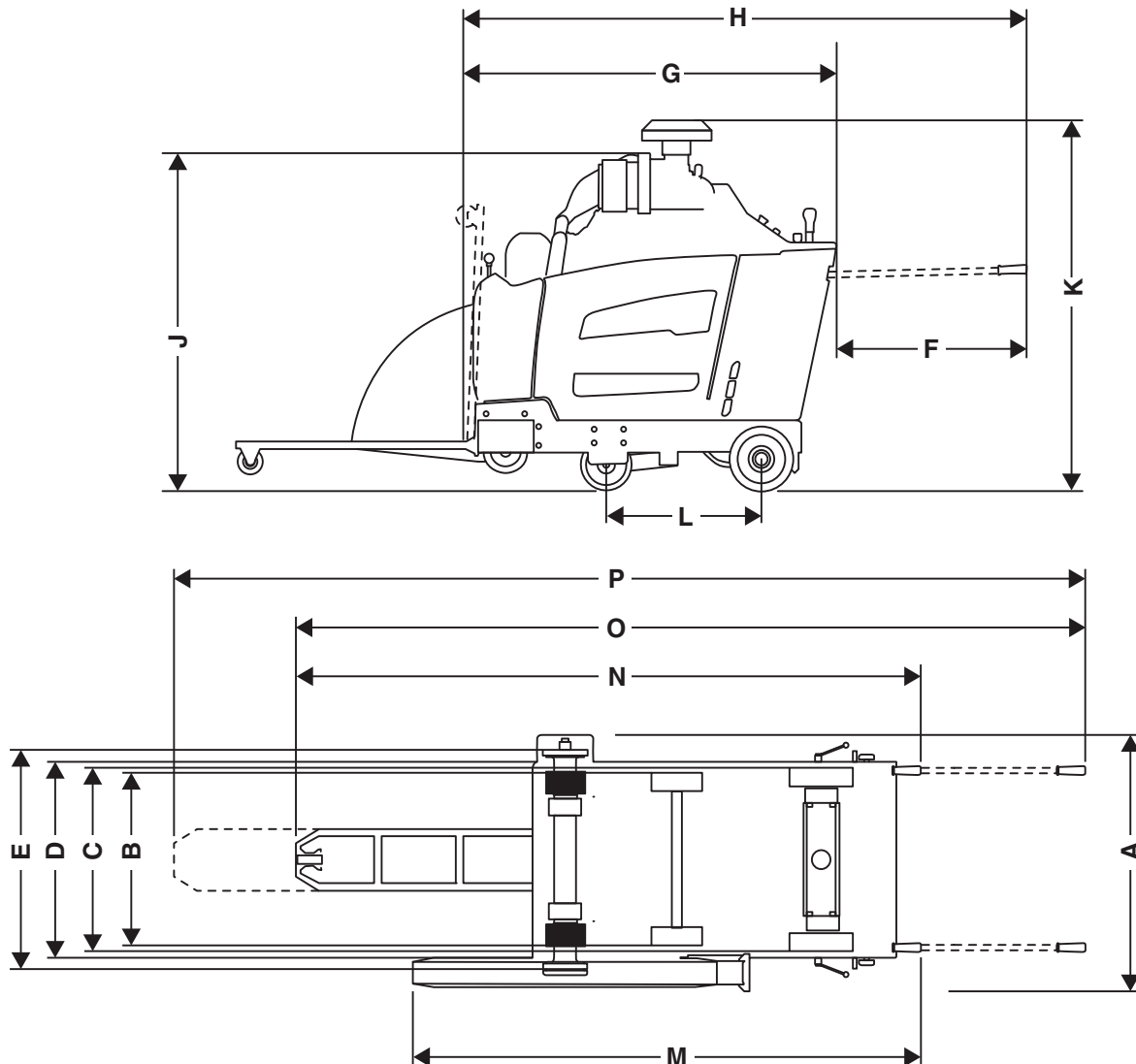


TECHNICAL DATA

Saw dimensions

FS7000 DL (60")

A	Width, inch/mm		39 1/2 / 1003	H	Saw length (pointer up, handles extended), inch/mm	95 1/8 / 2417
B	Center to center wheel width, inch/mm	Front	23 3/4 / 604	J	Min. overall height (no exhaust pipe, no pre-cleaner cap), inch/mm	114 7/8 / 2918
		Rear	25 3/8 / 646	K	Max. overall height (top of pre-cleaner), inch/mm	59 / 1499
C	Outside to outside wheel width, inch/mm	Front	26 3/4 / 680	L	Wheel base length, inch/mm	23 1/2 / 597
		Rear	28 3/8 / 722	M	Guard to handle length (handles in), inch/mm	97 1/16 / 2465
D	Frame width, inch/mm		29 1/2 / 750	N	Max. overall length (handles in), inch/mm	117 7/32 / 2977
E	Inner flange to inner flange width, inch/mm		32 1/2 / 825	O	Max. overall length (handles extended, pointer down), inch/mm	140 19/32 / 3571
F	Handle extension, inch/mm		31 7/8 / 809	P	Max. overall length (handles extended, pointer extended), inch/mm	159 1/2 / 4051
G	Min. saw length (handles removed, pointer and guard up), inch/mm		91 1/2 / 2324			



TECHNICAL DATA

Engine

Engine specifications	Deutz, TD 2.9 L4
Max. engine output (see note 1)	74.3hp@2600rpm (55.4kW@2600rpm)
Displacement, cu.in. / dm ³	178 / 2,92
Cylinders	4
Stroke, inch / mm	3,6/4,3 / 92/110
Fuel tank capacity, gallon / l	10,6 / 40
Air filter	Radial seal with pre-cleaner and restriction indicator
Starter	Electric

For further information and questions about this specific engine please see, www.deutz.com

Note 1: As specified by engine manufacturer. The power rating of the engines indicated is the average net power output (at specified rpm) of a typical production engine for the engine model measured to ISO3046. Mass production engines may differ from this value. Actual power output for the engine installed in the final machine will depend on the operating speed, environmental conditions and other variables.

Noise emissions

	FS7000 DL
Noise emissions (see note 1)	
Sound power level, measured dB(A)	115
Sound power level, guaranteed L _{WA} dB(A)	119
Sound levels (see note 2)	
Sound pressure level at the operators ear, dB(A)	101
Vibration levels, a_{hv} (see note 3)	
Handle right, m/s ²	<2,5
Handle left, m/s ²	<2,5

Note 1: Noise emissions in the environment measured as sound power (L_{WA}) in conformity with EC directive 2000/14/EC. The difference between guaranteed and measured sound power is that the guaranteed sound power also includes dispersion in the measurement result and the variations between different machines of the same model according to Directive 2000/14/EC.

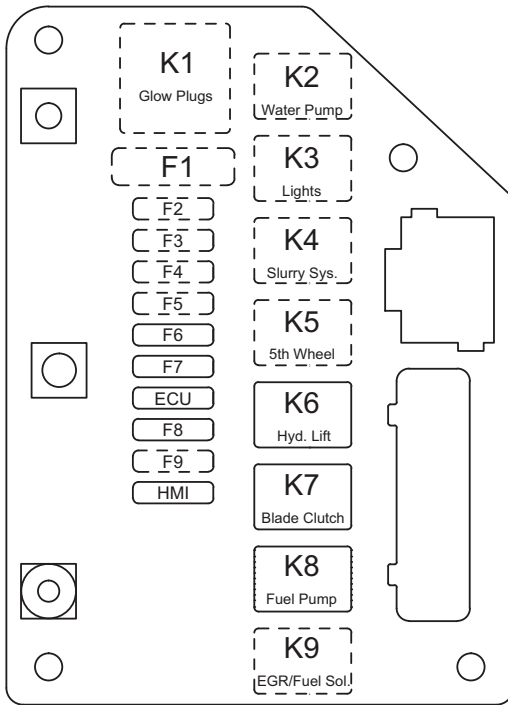
Note 2: Noise pressure level according to EN 13862. Reported data for noise pressure level has a typical statistical dispersion (standard deviation) of 1.0 dB(A).

Note 3: Vibration level according to EN 13862. Reported data for vibration level has a typical statistical dispersion (standard deviation) of 1 m/s².

RELAYS AND FUSES

Relays and fuses - FS7000 DL

Function		Designation	Relay (amp)	Designation	Fuse (amp)
Glow plugs		K1	(not used)	F1	(not used)
Water pump	(optional)	K2	25	F2	25
Lights	(optional)	K3	25	F3	25
Slurry system	(optional)	K4	25	F4	25
5th wheel	(optional)	K5	25	F5	25
Hydraulic lift pump		K6	25	F6	25
Blade clutch		K7	25	F7	15
Fuel pump		K8	25	F8	20
EGR/Fuel Sol.		K9	(not used)	F9	(not used)
Start motor		K10	70	F10	60
ECU		n/a	n/a	ECU	25
HMI		n/a	n/a	HMI	25



EXPLICATION DES SYMBOLES

Symboles sur la machine:

Certains symboles indiqués ci-dessous s'appliquent au marché européen.

AVERTISSEMENT! La machine utilisée de manière imprudente ou inadéquate peut devenir un outil dangereux, pouvant causer des blessures graves voire mortelles à l'utilisateur et aux autres personnes présentes.



Lire attentivement et bien assimiler le manuel d'utilisation avant d'utiliser la machine.



Utiliser les équipements de protection personnelle. Voir au chapitre "Équipement de protection personnelle".



Tout déplacement de la machine hors de la zone de coupe doit être effectué lorsque l'outil n'est pas en rotation.



Les protections doivent toujours être montées sur la machine. Les lames ne doivent pas être exposées plus de 180°.



Vérifier l'équipement de coupe. Ne jamais utiliser un équipement émoussé, fissuré ou endommagé.



Les lames doivent être marquées d'un régime similaire ou supérieur à celui indiqué sur la plaque signalétique de la machine. Un disque découpeur qui tourne à grande vitesse risque de se briser ou d'entraîner des blessures graves.



N'utilisez pas la machine près de gaz ou de substances inflammables.



AVERTISSEMENT! Au cours de la découpe, la poussière générée peut occasionner des blessures si elle est aspirée. Utiliser une protection respiratoire approuvée. Éviter d'inhaler des vapeurs d'essences et des gaz d'échappement. Veiller à disposer d'une bonne ventilation.



Surface chaude.



Risques associés à l'équipement! Gardez toujours toutes les parties du corps éloignées de la lame et de toutes les autres pièces mobiles.



Mise en garde, risque de coupure



Réglage de l'alimentation en eau



Lame inférieure



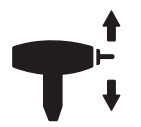
Lent



Rapide



Utilisez la lame inférieure et relevez la lame



Contact établi



Démarrage du moteur



Arrêt du moteur

STOP

Arrêt de la machine



Arrêt de la transmission



Gamme de vitesses : sélectionnez la position 1, 2, 3 ou point mort.



Remplissage d'essence Ajoutez du carburant diesel. Vous ne devez en aucun cas utiliser de l'essence.



Huile moteur



Jauge d'huile, maintenez le niveau approprié d'huile moteur.



Ne relevez pas la scie lorsque vous vérifiez le niveau d'huile moteur.



Maintenez la scie de niveau, sans la lame, lorsque vous vérifiez le niveau d'huile. Si ce symbole est indiqué sur la machine.



EXPLICATION DES SYMBOLES

Émissions sonores dans l'environnement selon la directive de la Communauté européenne. Les émissions de la machine sont indiquées au chapitre Caractéristiques techniques et sur les autocollants.



Pour soulever la machine, toujours utiliser l'ocilleton de levage dont elle est munie.



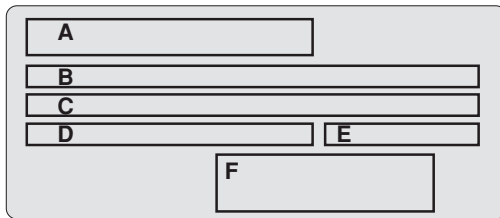
Flèche sur la protection de l'outil indiquant le sens de rotation de l'outil.



Retirez la lame avant de procéder au levage, au chargement, au déchargement et au transport de la machine.



Plaque signalétique



A: Marque

B: N° de produit

C: Modèle

D: Numéro de série

E: Date de fabrication, année, semaine

F: Fabricant, adresse

Les autres symboles/autocollants présents sur la machine concernent des exigences de certification spécifiques à certains marchés.



Explication des niveaux d'avertissement

Il existe trois niveaux d'avertissement.

AVERTISSEMENT!



AVERTISSEMENT! Symbole utilisé en cas de risque de blessures très graves ou de mort pour l'utilisateur ou de dommages pour les environs si les instructions du manuel ne sont pas suivies.

REMARQUE !



REMARQUE ! Symbole utilisé en cas de risque de blessures pour l'utilisateur ou de dommages pour les environs si les instructions du manuel ne sont pas suivies.

ATTENTION !



ATTENTION ! Symbole utilisé en cas de risque de dommages pour les matériaux ou la machine si les instructions du manuel ne sont pas suivies.

Contrôler les points suivants avant la mise en marche:



AVERTISSEMENT! La découpe, particulièrement la découpe à SEC soulève la poussière générée par le matériau coupé qui contient souvent de la silice. La silice est composée de sable, de quarts d'argile, de granit et de nombreuses autres substances minérales et rocheuses. L'exposition à une quantité excessive d'une telle poussière peut causer:

Des maladies respiratoires (altérant les facultés respiratoires), y compris bronchites chroniques, silicose et fibrose pulmonaire dues à une exposition à la silice. Ces maladies peuvent être fatales; Irritation cutanée et démangeaisons.

Des cancers selon NTP* et IARC* */ National Toxicology Program, International Agency for Research on Cancer

Prendre des mesures préventives:

Éviter l'inhalation et le contact avec la peau de la poussière, des vapeurs et des fumées.

L'utilisateur et les personnes présentes sur le site doivent porter des protections respiratoires appropriées telles que des masques spécialement prévus pour filtrer les particules microscopiques. (Voir OSHA 29 CFR Partie 1910.1200)

Couper si possible en utilisant le jet d'eau afin de réduire la poussière dispersée.

SOMMAIRE

Sommaire

EXPLICATION DES SYMBOLES

Symboles sur la machine:	51
Explication des niveaux d'avertissement	52
Contrôler les points suivants avant la mise en marche:	52

SOMMAIRE

Sommaire	53
----------------	----

PRÉSENTATION

Cher client,	54
Conception et propriétés	54
Scies à lame plate FS7000 DL	54
Éléments de la scie à lame plate – FS7000 DL	56
Éléments du panneau de commande	58

ÉQUIPEMENT DE SÉCURITÉ DE LA MACHINE

Généralités	59
-------------------	----

LAMES

Généralités	61
Lames diamant	61
Transport et rangement	62

MANIPULATION DU CARBURANT

Généralités	63
Carburant	63
Remplissage de carburant	63
Transport et rangement	63

MANIPULATION DE LA BATTERIE

Généralités	64
Branchement de la batterie	64
Débranchement de la batterie	64
Démarrage d'un moteur avec batterie faible	64

COMMANDE

Équipement de protection	65
Instructions générales de sécurité	65
Service	66
Techniques de travail de base	66
Position de la poignée	67
Déplacement de la machine	67
Montage de la lame	69
Fonction d'arrêt de la profondeur de coupe de la lame	71
Sciage en ligne droite	72
Transport et rangement	73
Entreposage à long terme	73
Réglage de la vitesse de rotation du moteur, de la vitesse de rotation de l'arbre de lame et de la vitesse de la boîte d'engrenages	74
Accessoires	77

DÉMARRAGE ET ARRÊT

Avant le démarrage	78
Premier démarrage	78
Démarrage	78
Arrêt	80

SYSTÈME DE MENUS

Vue d'ensemble des menus	82
Présentation du système de menus	83
Explication des symboles d'avertissement à l'écran	85

ENTRETIEN ET RÉPARATION

Généralités	86
-------------------	----

Mesures à prendre en amont en cas d'entretien, de réparation ou de recherche de panne	86
Nettoyage	86
Programme d'entretien	88

RECHERCHE DE PANNES

Incidents durant le sciage	96
Messages d'erreur	97

CARACTÉRISTIQUES TECHNIQUES

Batterie	100
Liquide hydraulique et lubrifiants	100
Caractéristiques techniques	101
Émissions sonores	104

RELAIS ET FUSIBLES

Relais et fusibles – FS7000 DL	105
--------------------------------------	-----

PRÉSENTATION

Cher client,

Nous vous remercions d'avoir choisi un produit Husqvarna !

Nous espérons que cette machine vous donnera toute satisfaction et qu'elle vous accompagnera pendant de longues années. L'achat de l'un de nos produits garantit une assistance professionnelle pour l'entretien et les réparations. Si la machine n'a pas été achetée chez l'un de nos revendeurs autorisés, demandez l'adresse de l'atelier d'entretien le plus proche.

Ce mode d'emploi est précieux. Veillez à ce qu'il soit toujours à portée de main sur le lieu de travail. En suivant les instructions qu'il contient (utilisation, révision, entretien etc.), il est possible d'allonger considérablement la durée de vie de la machine et d'augmenter sa valeur sur le marché de l'occasion. En cas de vente de la machine, ne pas oublier de remettre le manuel d'utilisation au nouveau propriétaire.

Plus de 300 ans d'innovation

Husqvarna AB est une entreprise suédoise qui a vu le jour en 1689 lorsque le roi Karl XI décida de construire un arsenal pour la fabrication des mousquets. À l'époque, les compétences en ingénierie à la base du développement de certains des produits leaders du marché mondial dans des domaines tels que les armes de chasse, les vélos, les motocycles, l'électroménager, les machines à coudre et les produits d'extérieur, étaient déjà solides.

Husqvarna est le premier fournisseur mondial de produits motorisés pour utilisation en extérieur dans la foresterie, l'entretien de parcs, de pelouses et de jardins, ainsi que d'équipements de coupe et d'outils diamant destinés aux industries de la construction et de la pierre.

Responsabilité du propriétaire

Il est de la responsabilité du propriétaire/de l'employeur de s'assurer que l'utilisateur possède les connaissances nécessaires pour manipuler la machine en toute sécurité. Les responsables et les utilisateurs doivent avoir lu et compris le Manuel d'utilisation. Ils doivent avoir conscience :

- Des instructions de sécurité de la machine.
- Des diverses applications de la machine et de ses limites.
- De la façon dont la machine doit être utilisée et entretenue.

Les législations locales peuvent limiter l'utilisation de cette machine. Recherchez les législations applicables pour le lieu où vous travaillez avant d'utiliser la machine.

Droit de réserve du fabricant

Husqvarna peut éditer des informations complémentaires concernant l'utilisation de ce produit en toute sécurité après la publication du présent manuel. Il incombe au propriétaire de se tenir informé des méthodes d'utilisation les plus sûres.

Husqvarna AB travaille continuellement au développement de ses produits et se réserve le droit d'en modifier, entre autres, la conception et l'aspect sans préavis.

Pour obtenir des renseignements et de l'aide, consultez notre site Web à l'adresse : www.husqvarna.com ou composez le 1 800 845-1312.

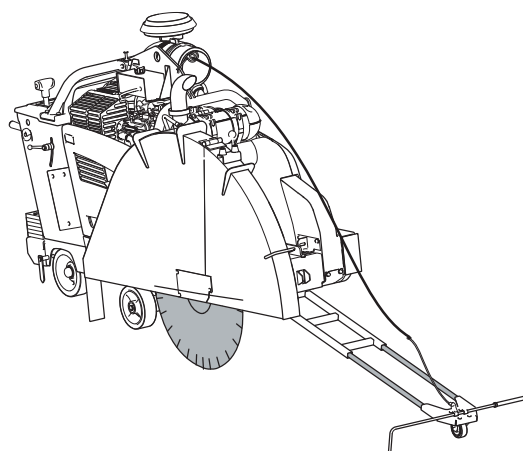
Conception et propriétés

Ces scies à lame plate poussées sont conçues pour être utilisées avec des lames de diamant pour les coupes humides seulement. Elles permettent de couper le béton frais et durci dans différentes catégories de dureté et d'asphalte.

Les produits Husqvarna se distinguent par des valeurs telles que la haute performance, la fiabilité, la technologie innovante, les solutions techniques de pointe et les considérations environnementales. Pour utiliser ce produit en toute sécurité, l'utilisateur doit lire le manuel avec attention. Contactez votre revendeur Husqvarna pour obtenir de plus amples informations.

Certaines des caractéristiques uniques de votre produit sont décrites ci-dessous.

Scies à lame plate FS7000 DL



Moteur

Moteurs diesel puissants, refroidis à l'eau et à commande électronique, qui offrent des courbes de couple optimales.

Long châssis

Scies à lame plate FS7000 DL possède une base plus longue que le FS7000 D pour accueillir des lames de diamant plus larges.

Transmission de puissance

Transmission de puissance robuste et efficace entre le moteur et la lame, qui assure une puissance maximale au niveau de l'arbre de lame.

Catégorie finale 4/phas

Ces produits sont conformes à la catégorie finale 4/phase IIIB : nouveau système de post-traitement des gaz d'échappement qui est conforme aux nouvelles lois des États-Unis et de l'Union européenne.

E-track

Grâce à l'essieu arrière contrôlé électroniquement, ce système permet à l'opérateur de la scie de régler le suivi lors de la coupe à l'aide d'un simple bouton.

PRÉSENTATION

Affichage numérique

L'affichage numérique donne une vue d'ensemble pratique des fonctions et fonctionnalités nécessaires au fonctionnement de la machine.

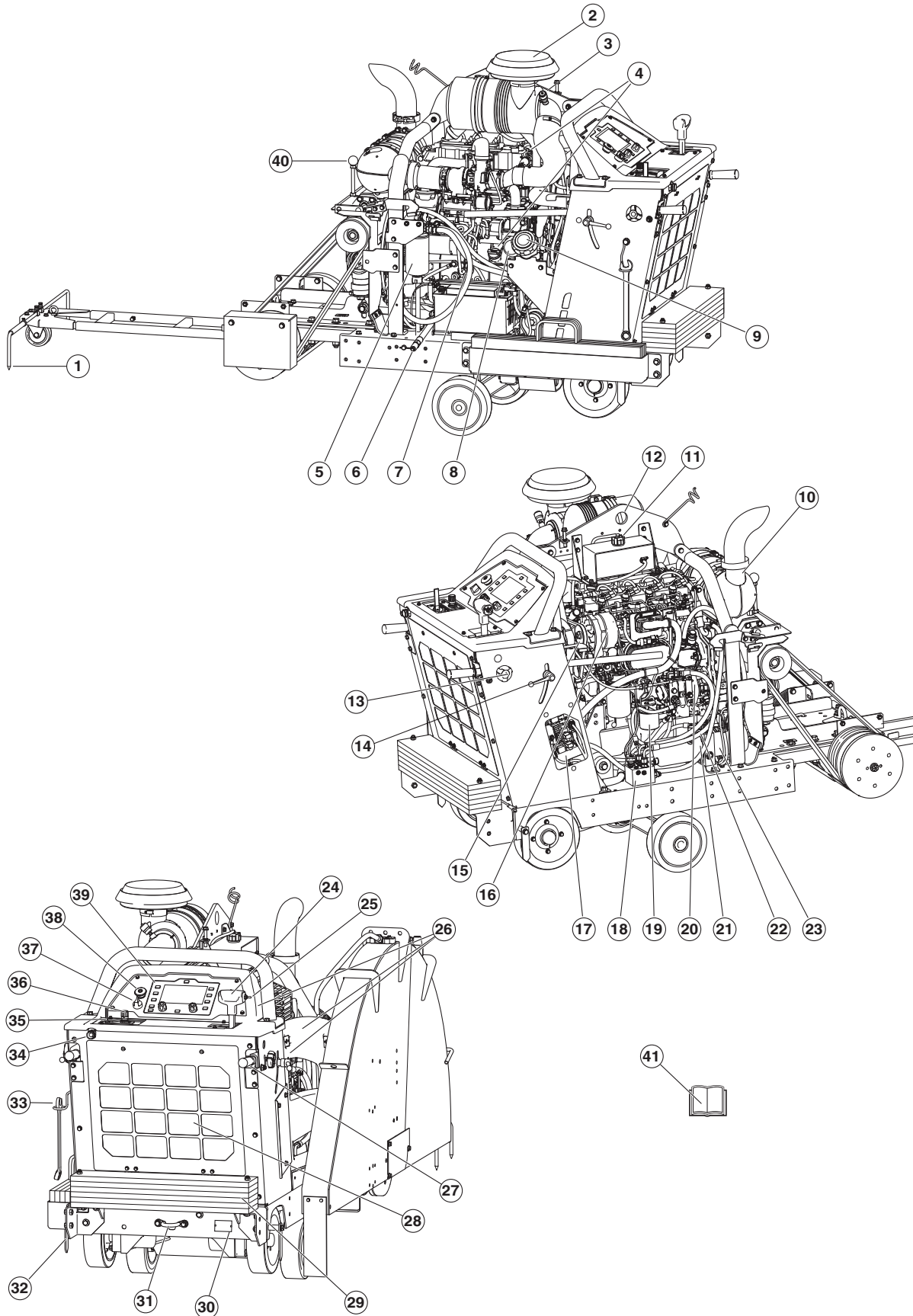
Guide avant

Le guide avant est muni d'un réglage télescopique qui assure une bonne visibilité et un rangement pratique.

PRÉSENTATION

Éléments de la scie à lame plate – FS7000 DL

Les couvercles sont retirés à des fins d'illustration.

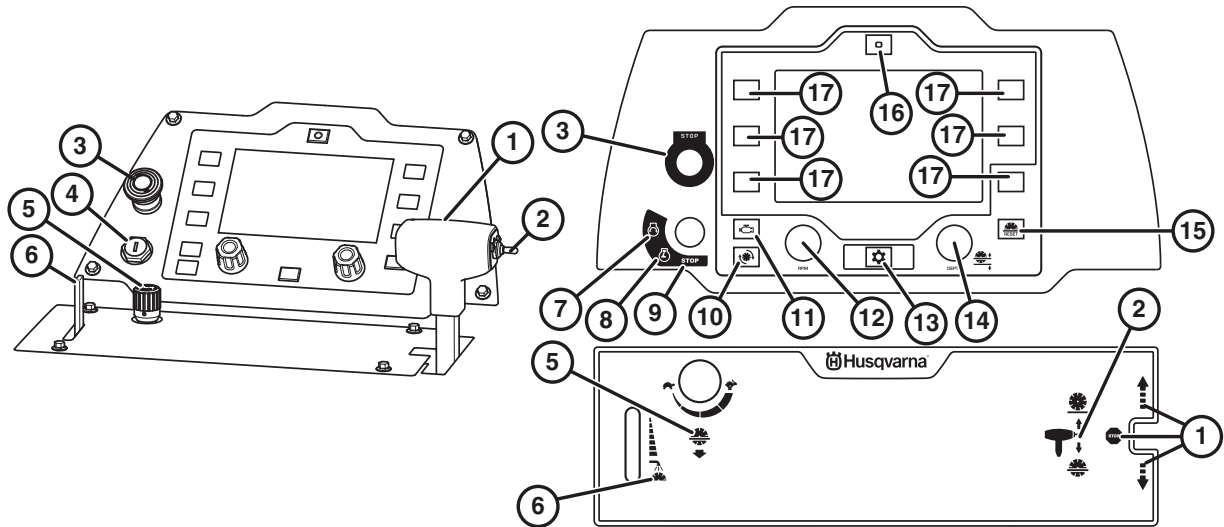


PRÉSENTATION

- 1 Guide avant
- 2 Filtre à air
- 3 Indicateur de colmatage d'air
- 4 Remplissage d'huile
- 5 Filtre séparateur d'eau et de carburant
- 6 Tuyau de vidange d'huile moteur avec soupape
- 7 Vérification du niveau d'huile moteur (jauge d'huile)
- 8 Filtre à huile moteur
- 9 Dispositif de remplissage de réservoir de carburant
- 10 Silencieux - DOC
- 11 Dispositif de remplissage de liquide de refroidissement du radiateur
- 12 Œillet de levage
- 13 Bouton de verrouillage pour le réglage de la longueur de la poignée de guidon
- 14 Bouton de verrouillage pour le réglage de la hauteur de la poignée de guidon
- 15 Courroie d'alternateur et de pompe à eau
- 16 Alternateur
- 17 Boîte à relais et à fusibles
- 18 Soupape de décharge de transmission
- 19 Filtre hydraulique
- 20 Pompe de transmission hydrostatique
- 21 Réservoir hydraulique
- 22 Dispositif de remplissage du réservoir hydraulique
- 23 Pompe aspiratrice hydraulique
- 24 Levier de commande de vitesse – direction en marche avant ou en marche arrière
- 25 Commutateur de relevage et d'abaissement (lame)
- 26 Couvercles de protection
- 27 Poignée de guidon
- 28 Filtre à air du radiateur
- 29 Kits de masses d'alourdissement
- 30 Plaque d'identification
- 31 Crochet d'arrimage (avant et arrière)
- 32 Guide arrière
- 33 Clé d'arbre de lame
- 34 Entrée d'eau
- 35 Vanne d'eau
- 36 Bouton de commande de vitesse d'abaissement de la scie
- 37 Commutateur de démarrage du moteur
- 38 Arrêt de la machine
- 39 Panneau de commande
- 40 Levier de vitesses de la boîte d'engrenages (modèle de boîte d'engrenages à trois vitesses)

41 Manuel d'utilisation

PRÉSENTATION



Le panneau de commande est l'élément qui relie l'opérateur à la machine. À partir de ce panneau, l'opérateur peut contrôler la vitesse de rotation du moteur en tours par minute, commander la profondeur de coupe de la lame et afficher l'état actuel du moteur et de la machine.

Toutes ces données sont affichées sur un écran antireflet de 17,8 cm (7 po) à rétroéclairage DEL, ce qui permet à l'opérateur de consulter ces données lors des travaux effectués dans toutes les conditions d'éclairage, en plein jour ou dans la noirceur totale.

Sur les illustrations du manuel, les textes sont affichés en anglais, mais apparaissent dans la langue de votre choix sur l'écran du produit. Selon la configuration de la machine, des options de menu différentes sont valides. Pour obtenir de plus amples renseignements, consultez la section « Système de menus ».


Utilisez les boutons de fonction (17) des deux côtés de l'écran pour sélectionner les fonctions respectives affichées à l'écran.


Éléments du panneau de commande

- | | | | |
|---|--|----|--|
| 1 | Levier de commande de vitesse | 9 | Arrêt du moteur |
| 2 | Commutateur de relevage et d'abaissement (lame) | 10 | Affichage de la vitesse de rotation de la lame, tr/min |
| 3 | Arrêt de la machine | 11 | Affichage de la vitesse de rotation du moteur, tr/min |
| 4 | Commutateur de démarrage du moteur | 12 | Réglage de la vitesse du papillon des gaz |
| 5 | Bouton de commande de vitesse d'abaissement de la scie | 13 | Bouton de menu |
| 6 | Vanne d'eau | 14 | Réglage de la profondeur de la lame |
| 7 | Démarrage du moteur | 15 | Bouton de mise à zéro de la lame |
| 8 | Contact établi | 16 | Bouton de mise à zéro du E-track |
| | | 17 | Touche Select |

ÉQUIPEMENT DE SÉCURITÉ DE LA MACHINE

Généralités

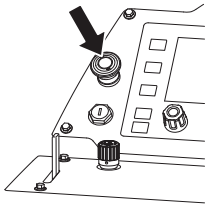
 **AVERTISSEMENT!** Ne jamais utiliser une machine dont les équipements de sécurité sont défectueux. Si les contrôles ne donnent pas de résultat positif, confier la machine à un atelier spécialisé. Le moteur doit être coupé et le commutateur de démarrage du moteur doit être en position STOP (arrêt).

 **AVERTISSEMENT!** La lame tourne lorsque le moteur démarre ou a démarré. Applicable avec des versions sans embrayage de la lame installé.

Ce chapitre présente les équipements de sécurité de la machine, leur fonction, comment les utiliser et les maintenir en bon état.

Arrêt de la machine

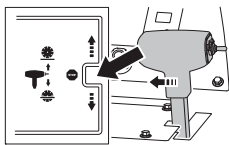
Le bouton d'arrêt de la machine permet de couper rapidement le moteur et de désactiver toutes les fonctions électriques, sauf les feux.



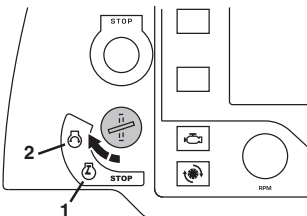
ATTENTION ! N'utilisez pas ce bouton pour l'arrêt régulier.

Vérification de la fonction d'arrêt de la machine à l'aide du bouton

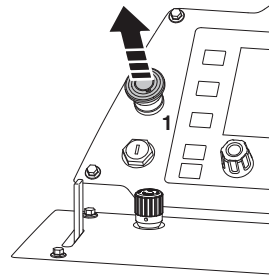
- Réglez le levier de commande de vitesse à la position STOP (arrêt). Le moteur ne démarre pas si le levier de commande de vitesse n'est pas dans la position distincte STOP (arrêt).



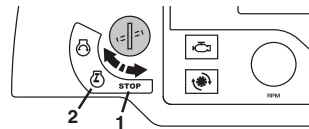
- 1 Démarrez le moteur, tournez le commutateur de démarrage du moteur à la position de contact. Suivez la procédure indiquée dans le manuel d'utilisation du moteur.
- 2 Lorsque le symbole de préchauffage s'affiche, attendez que le moteur se réchauffe au moyen des bougies de préchauffage du moteur. Lorsque le symbole de préchauffage disparaît, tournez le commutateur de démarrage du moteur en position de démarrage du moteur afin de démarrer le moteur.




- Appuyez sur le bouton d'arrêt de la machine et vérifiez que le moteur s'arrête. Ceci permet de régler la machine en mode de sécurité.
- Réinitialisez la fonction d'arrêt de la machine en tirant le bouton vers l'extérieur.



- Réinitialisez le mode de sécurité en tournant le commutateur de démarrage du moteur à la position STOP (arrêt), puis remettez-le à la position de contact.




Protège-lame

 **AVERTISSEMENT!** Toujours contrôler que le protège-lame est monté correctement avant de démarrer la machine.

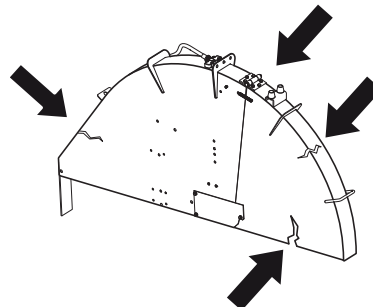
Cette protection se trouve au-dessus de la lame et a pour fonction d'empêcher que des éclats de lame ou du matériau découpé ne soient projetés en direction de l'utilisateur.

Ce mode permet également de protéger l'utilisateur de la lame et de refroidir la lame avec de l'eau lors des coupes humides.

Contrôle du protège-lame

 **AVERTISSEMENT!** Toujours contrôler que la protection est montée correctement avant de démarrer la machine. Contrôler aussi que la lame est correctement montée et n'est pas abîmée. Une lame abîmée peut engendrer des blessures.

- Contrôler le protège-lame afin de détecter d'éventuels dommages ou fissures. Remplacer le protège-lame s'il a subi des dommages ou s'il présente des fissures.



ÉQUIPEMENT DE SÉCURITÉ DE LA MACHINE

Couvercles de protection

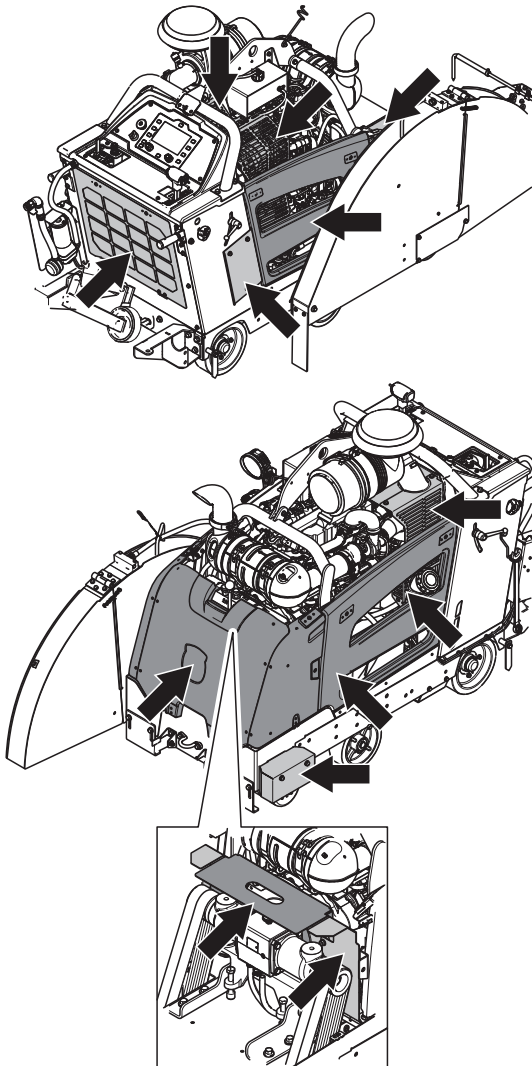


AVERTISSEMENT! Assurez-vous toujours que les couvercles de protection sont correctement installés avant de démarrer la machine.

Les couvercles de protection sur la machine permettent de protéger l'utilisateur du ventilateur, des entraînements par courroie et des surfaces chaudes.

Vérification des couvercles de protection

- Contrôlez que les capots de protection ne sont pas fissurés ou endommagés. Remplacez tout capot endommagé.



Silencieux - DOC



AVERTISSEMENT! N'utilisez jamais une machine sans silencieux ou avec un silencieux défectueux. Si le silencieux est défectueux, le niveau sonore et le risque d'incendie augmentent considérablement. Veillez à disposer des outils nécessaires à l'extinction d'un feu.

Un silencieux devient très chaud en cours d'utilisation et le reste après l'arrêt. Cela est également vrai pour le régime au ralenti. Soyez très attentif aux risques d'incendie, surtout quand vous manipulez des gaz et/ou des substances inflammables.

Le silencieux est conçu pour réduire au maximum le niveau sonore et détourner les gaz d'échappement loin de l'utilisateur.

Contrôle du silencieux - DOC

- Contrôler régulièrement que le silencieux est entier et qu'il est attaché correctement.

ATTENTION! Silencieux – Le catalyseur d'oxydation diesel font partie des éléments qui doivent être conformes aux normes d'émissions. Ne modifiez pas ces composants!

Généralités



AVERTISSEMENT! Un disque de coupe peut se briser et blesser gravement l'utilisateur.

Le fabricant de la lame émet des avertissements et des recommandations pour l'utilisation et l'entretien adéquats de la lame. Ces avertissements sont fournis avec la lame.

Une lame doit être vérifiée avant d'être assemblée sur la scie, puis fréquemment au cours de l'utilisation. Vérifiez l'absence de fissures, de segments perdus (lames diamant) ou de pièces cassées. N'utilisez pas de disque découpeur endommagé.

- Des disques découpeurs de haute qualité sont souvent plus économiques. Les disques découpeurs de qualité inférieure ont souvent des capacités de coupe moindre et une durée de vie inférieure; ceci résulte en un coût plus élevé par rapport à la quantité de matériau découpé. Voir les instructions du chapitre Montage des lames.



AVERTISSEMENT! N'utilisez jamais une lame pour tout autre matériau que celui pour lequel elle est destinée. Ne jamais utiliser des lames dont le régime indiqué est inférieur à celui de la découpeuse. N'utilisez pas des lames de scies circulaires ou des lames à pointe au carbure.

Instabilité de la lame

- La lame peut vaciller et éclater si une vitesse de rotation excessive est utilisée.
- Une vitesse de rotation inférieure peut arrêter la vacillation. Vérifiez la configuration appropriée de la transmission et la lame ou l'engrenage. Sinon, remplacez la lame.

Lames diamant

Généralités

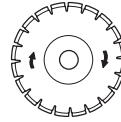
Le disque découpeur continue de tourner pendant au maximum une minute après l'arrêt du moteur. N'arrêtez jamais la lame avec vos mains, vous risqueriez de vous blesser.



AVERTISSEMENT! Lors de leur utilisation, les lames diamant deviennent très chaudes. Une lame surchauffée est le résultat d'une mauvaise utilisation et peut entraîner une déformation du disque qui causerait des dommages et des blessures.

La découpe de métal génère des étincelles pouvant provoquer un incendie. N'utilisez pas la machine près de gaz ou de substances inflammables.

- Les disques diamant se composent d'une structure en acier et de segments contenant des diamants industriels.
- Les disques diamant sont d'un coup inférieur par découpe, nécessitent moins de remplacements et ont une profondeur de découpe constante.
- En cas d'utilisation d'une lame diamant, veiller à ce qu'elle tourne dans la direction des flèches sur la lame.



Affûtage des lames diamant

- Toujours utiliser une lame diamant acérée.
- Les lames diamant peuvent siémousser en cas de pression d'avance incorrecte ou de découpe de certains matériaux comme du béton fortement armé. Le travail avec un disque diamant émoussé comporte un risque de surchauffe pouvant provoquer la chute des segments en diamant.
- Affûtez la lame en réduisant la profondeur de coupe et la vitesse de rotation du moteur pendant un court moment. Ceci permettra d'exposer des diamants neufs et tranchants sur la lame.

Lames diamant pour le refroidissement

- Lors de la découpe, les frictions dans la coupe entraînent la chauffe de la lame diamant. Si la lame finit par devenir trop chaude, cela peut entraîner une perte de la tension de la lame ou le fissurage du noyau. Par conséquent, la lame de diamant doit être refroidie à l'eau.

Disques diamant pour découpe à l'eau

Lors de la découpe, les frictions dans la coupe entraînent la chauffe de la lame diamant. Si la lame finit par devenir trop chaude, cela peut entraîner une perte de la tension de la lame ou le fissurage du noyau.

Laissez la lame refroidir avant de la toucher.

- Les lames diamant de découpe à l'eau doivent être utilisées avec de l'eau pour refroidir le noyau et les segments de lame lors du sciage. Les lames de découpe à l'eau NE doivent PAS être utilisées à sec.
- L'utilisation de lames de découpe à l'eau sans eau peut induire une accumulation excessive de chaleur, entraînant des performances médiocres et de graves dommages sur la lame, et constituant un risque pour la sécurité.
- L'eau refroidit la lame et augmente la durée de vie de l'outil, tout en réduisant la formation de poussière.
- Utilisez le sciage humide pour le béton vieux, le béton frais et l'asphalte.

ATTENTION ! Utilisez toujours un flasque de lame dont la taille est adaptée à la taille de la lame actuelle. N'utilisez jamais des flasques endommagés.

Transport et rangement

- Rangez les lames de coupe dans un endroit sécuritaire pour éviter de les endommager.
- Ranger le disque au sec et à l'abri du gel.
- Avant toute utilisation, vérifier si les disques neufs ne comportent pas de défauts causés par la manutention ou le magasinage.

MANIPULATION DU CARBURANT

Généralités



AVERTISSEMENT! Faire tourner un moteur dans un local fermé ou mal aéré peut causer la mort par asphyxie ou empoisonnement au monoxyde de carbone.

Le carburant et les vapeurs de carburant sont très inflammables et peuvent causer des blessures graves en cas d'inhalation ou de contact avec la peau. Il convient donc d'observer la plus grande prudence lors de la manipulation du carburant et de veiller à disposer d'une bonne aération.

Les gaz d'échappement du moteur sont très chauds et peuvent contenir des étincelles pouvant provoquer un incendie. Par conséquent, ne jamais démarrer la machine dans un local clos ou à proximité de matériaux inflammables!

Ne fumez jamais ni ne placez d'objet chaud à proximité du carburant.

Carburant

Moteur

Cette machine est équipée d'un moteur certifié selon les normes environnementales en matière d'émissions de gaz d'échappement, conforme à la catégorie finale 4 de l'EPA et de la CARB des États-Unis/phase IIIB de l'UE.

Carburant diesel

- Utilisez uniquement du carburant diesel à très faible teneur en soufre (0,0015 % ou 15 ppm). Pour obtenir de plus amples renseignements sur le carburant, consultez le manuel du fabricant du moteur fourni avec le produit.

ATTENTION ! N'utilisez jamais du biodiesel! Le biodiesel endommagera les tuyaux souples de carburant.

Huile moteur

Stationnez toujours la machine sur une surface plane avant de vérifier l'huile. Maintenez la scie de niveau, sans la lame, lorsque vous vérifiez le niveau d'huile.

- Contrôler le niveau d'huile avec de démarrer la machine. Un niveau d'huile trop bas risque d'endommager gravement le moteur. Consultez les instructions dans la section « Entretien et réparation ».
- Ne jamais utiliser d'huile pour moteurs à deux temps. Utilisez seulement de l'huile moteur à faible teneur en cendres, tel qu'indiqué dans la section « Données techniques ».

ATTENTION ! Veiller à ce que le moteur contienne toujours suffisamment d'huile.

Remplissage de carburant



AVERTISSEMENT! Arrêter le moteur et le laisser refroidir pendant quelques minutes avant de faire le plein.

Ouvrir le bouchon du réservoir lentement pour laisser baisser la surpression pouvant régner dans le réservoir.

Nettoyez le pourtour du bouchon de réservoir.

Serrer soigneusement le bouchon du réservoir après le remplissage. Si le bouchon n'est pas serré correctement, il risque de s'ouvrir à cause des vibrations et du carburant peut alors s'échapper du réservoir de carburant, entraînant un risque d'incendie.

Avant de mettre la machine en marche, la déplacer à au moins 3 mètres de l'endroit où a été fait le plein.

Ne jamais démarrer la machine:

- Si du carburant ou de l'huile moteur ont été répandus sur la machine. Essuyer soigneusement toutes les éclaboussures et laisser les restes d'essence s'évaporer.
- Si vous avez renversé du carburant sur vous ou sur vos vêtements, changez de vêtements. Lavez les parties du corps qui ont été en contact avec le carburant. Utilisez de l'eau et du savon.
- S'il y a fuite de carburant. Vérifier régulièrement que le bouchon du réservoir et la conduite de carburant ne fuient pas.

Transport et rangement

- Transporter et ranger la machine et le carburant de façon à éviter que toute fuite ou émanation éventuelle entre en contact avec une flamme vive ou une étincelle: machine électrique, moteur électrique, contact/interrupteur électrique ou chaudière.
- Lors du stockage et du transport de carburant, toujours utiliser un récipient homologué et conçu à cet effet.

MANIPULATION DE LA BATTERIE

Généralités



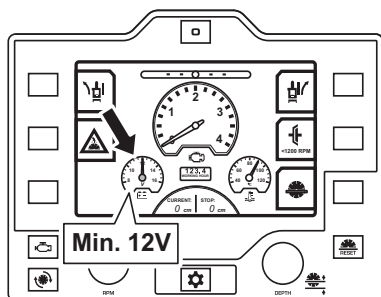
AVERTISSEMENT! Les batteries plomb-acide génèrent des gaz explosifs. Éviter les étincelles, les feux ouverts et de fumer près des batteries.

- Le branchement ou le débranchement de la batterie peut causer des étincelles et des courts-circuits.
- Une étincelle ou une flamme peut provoquer l'explosion d'une batterie au plomb.
- Ne branchez jamais les deux bornes sur la batterie en même temps au moyen d'une clé ou d'un autre métal pour éviter de court-circuiter la batterie.
- Manipulez toujours la batterie avec soin.
- Les batteries inutilisées doivent rester à distance d'objets métalliques tels que des clous, des pièces de monnaie ou des bijoux.
- Avant de brancher la batterie, retirez bracelets en métal, montres, bagues, etc. Portez des gants et des lunettes de protection ou un masque à poussière lorsque vous manipulez la batterie.
- La batterie d'origine ne nécessite aucun entretien. N'essayez pas de retirer ou d'ouvrir les bouchons et couvercles. Il n'est généralement pas nécessaire de vérifier ou d'ajuster le niveau d'électrolyte.
- N'utilisez qu'une batterie similaire ne nécessitant aucun entretien pour remplacement. Consultez les informations dans la section Caractéristiques techniques.
- Lorsque vous effectuez un soudage sur la machine, débranchez toujours les deux câbles de batterie et rangez les câbles à une distance éloignée des pôles de batterie.
- Branchez toujours le pôle négatif de l'appareil de soudage aussi près que possible du point de soudure.

ATTENTION ! N'utilisez pas une batterie dont la taille maximale physique de la batterie est supérieure à celle prescrite. Une batterie de taille trop grande peut endommager les pièces se trouvant à proximité ou être endommagée par celles-ci.

Manipuler la batterie prudemment et dans le respect de l'environnement. Suivre les directives locales en matière de recyclage.

- Vérifiez la batterie tous les jours. Lorsque le commutateur de démarrage du moteur est en position de contact, l'indicateur de batterie à l'écran ne doit pas atteindre moins de 12 V.



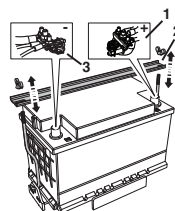
- Si la batterie ne peut maintenir la tension pendant des périodes prolongées lorsque la charge n'est pas appliquée, remplacez la batterie. Pour obtenir de plus amples renseignements sur les batteries recommandées, consultez la section « Données techniques ».

- Chargez régulièrement la batterie.
- Gardez les bornes de batterie et ses accessoires propres.

Branchement de la batterie

Remarque! Installez et retirez les câbles de batterie seulement dans la séquence décrite dans cette section.

- 1 Branchez toujours la borne positive en premier.
- 2 Réinstallez le support de batterie.
- 3 Branchez la borne négative.



Débranchement de la batterie

- Retirer les câbles dans l'ordre inverse.

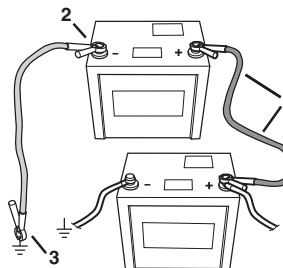
Démarrage d'un moteur avec batterie faible

Si les batteries sont trop faibles pour démarrer le moteur, elles doivent être rechargées.

Si des câbles sont utilisés pour un démarrage d'urgence, procéder comme suit:

Raccordement des câbles de démarrage

- 1 Brancher chaque extrémité du câble rouge à la borne POSITIVE (+) de chaque batterie en veillant à ne pas court-circuiter une extrémité contre le châssis.
- 2 Brancher une extrémité du câble noir à la borne NÉGATIVE (-) de la batterie complètement chargée.
- 3 Branchez l'autre extrémité du câble noir à une bonne MASSE DU BLOC MOTEUR, à l'écart du réservoir de carburant et de la batterie.



Retirer les câbles dans l'ordre inverse.

- Le câble NOIR est retiré du bloc moteur, puis de la batterie entièrement chargée.
- Débrancher ensuite le câble ROUGE des deux batteries.

Remisage

- Rangez la batterie dans un endroit frais et sec.


Équipement de protection

Généralités

Assurez-vous toujours de la présence à proximité d'une autre personne lorsque vous utilisez la machine afin que vous puissiez demander de l'aide en cas d'accident.

Équipement de protection personnelle

Un équipement de protection personnelle homologué doit impérativement être utilisé lors de tout travail avec la machine. L'équipement de protection personnelle n'élimine pas les risques mais réduit la gravité des blessures en cas d'accident. Demander conseil au concessionnaire afin de choisir un équipement adéquat.



AVERTISSEMENT! L'utilisation de produits, tels que les couteaux, les broyeurs, les perceuses, les scies qui sablent ou forment une matière, peut entraîner la formation de poussière et de vapeurs qui peuvent contenir des produits chimiques dangereux. Vérifiez le type de matériau avec lequel vous devez travailler et utilisez un masque filtrant approprié.

Une exposition prolongée au bruit risque de causer des lésions auditives permanentes. Utilisez toujours des protecteurs d'oreilles agréés. Soyez attentif aux appels ou cris d'avertissement lorsque vous portez des protecteurs d'oreilles. Enlevez toujours vos protecteurs d'oreilles dès que le moteur s'arrête.

Toujours utiliser:

- Casque de protection homologué
- Protecteur d'oreilles
- Des protège-yeux homologués. L'usage d'une visière doit toujours s'accompagner du port de lunettes de protection homologuées. Par lunettes de protection homologuées, on entend celles qui sont en conformité avec les normes ANSI Z87.1 (États-Unis) ou EN 166 (pays de l'UE). La visière doit être conforme à la norme EN 1731.
- Masque respiratoire
- Gants solides permettant une prise sûre.
- Vêtements confortables, robustes et serrés qui permettent une liberté totale de mouvement. La découpe crée des étincelles qui peuvent enflammer les vêtements. Husqvarna vous recommande de porter du coton ignifugé ou du denim épais. Ne portez pas de vêtements composés de matières comme le nylon, le polyester ou la rayonne. Si elles s'enflamment, ces matières peuvent fondre et adhérer à la peau. Ne portez pas de shorts
- Bottes avec coquille en acier et semelle antidérapante

Autre équipement de protection



REMARQUE ! Lorsque vous travaillez avec la machine, des étincelles peuvent se former et mettre le feu. Gardez toujours à portée de main les outils nécessaires à l'extinction d'un feu.

- Extincteur
- Une trousse de premiers secours doit toujours être disponible.

Instructions générales de sécurité

Le présent chapitre décrit les consignes de sécurité de base relatives à l'utilisation de la machine. Aucune de ces informations ne peut remplacer l'expérience et le savoir-faire d'un professionnel.

- Lire attentivement et bien assimiler le manuel d'utilisation avant d'utiliser la machine. Il est recommandé aux nouveaux opérateurs d'obtenir également des instructions pratiques avant d'utiliser la machine.
- N'oubliez pas que c'est vous, l'opérateur, qui êtes responsable de protéger les tiers et leurs biens de tout accident ou danger.
- La machine doit rester propre. Les signes et autocollants doivent être parfaitement lisibles.

Service

Faites réparer votre machine par un technicien qualifié et utilisez seulement des pièces de rechange identiques. Ceci permettra d'assurer la sécurité continue de la machine.

Utilisez toujours votre bon sens

Il est impossible de mentionner toutes les situations auxquelles vous pouvez être confronté. Soyez toujours vigilant et utilisez l'appareil avec bon sens. Si vous êtes confronté à une situation où vous pensez ne pas être en sécurité, arrêtez immédiatement et consultez un spécialiste. Veuillez contacter votre revendeur, votre atelier de réparation ou un utilisateur expérimenté. Il convient d'éviter tous les travaux pour lesquels vous ne vous sentez pas suffisamment qualifié !



AVERTISSEMENT! La machine utilisée de manière imprudente ou inadéquate peut devenir un outil dangereux, pouvant causer des blessures graves voire mortelles à l'utilisateur et aux autres personnes présentes.

Ne jamais permettre à des enfants ou à des personnes ne possédant pas la formation nécessaire d'utiliser ou d'entretenir la machine.

Ne jamais laisser d'autres personnes utiliser la machine sans s'être assuré au préalable que ces personnes ont bien compris le contenu du mode d'emploi.

N'utilisez jamais la machine si vous êtes fatigué, avez bu de l'alcool ou pris des médicaments susceptibles d'affecter votre vue, votre jugement ou la maîtrise de votre corps.



AVERTISSEMENT! Toute modification non autorisée et/ou tout emploi d'accessoires non homologués peuvent provoquer des accidents graves voire mortels pour l'utilisateur et les autres. Ne jamais modifier sous aucun prétexte la machine sans l'autorisation du fabricant.

Ne modifiez jamais cette machine de façon à ce qu'elle ne soit plus conforme au modèle d'origine et n'utilisez jamais une machine qui semble avoir été modifiée.

Ne jamais utiliser une machine qui n'est pas en parfait état de marche. Appliquer les instructions de maintenance et d'entretien ainsi que les contrôles de sécurité indiqués dans ce manuel d'utilisation. Certaines mesures de maintenance et d'entretien doivent être confiées à un spécialiste dûment formé et qualifié. Voir les instructions à la section Maintenance.

N'utiliser que des accessoires et des pièces d'origine.

Votre garantie ne couvre ni les dommages ni la responsabilité qu'entraîne l'utilisation de pièces ou d'accessoires non autorisés.



AVERTISSEMENT! Cette machine génère un champ électromagnétique en fonctionnement. Ce champ peut dans certaines circonstances perturber le fonctionnement d'implants médicaux actifs ou passifs. Pour réduire le risque de blessures graves ou mortelles, les personnes portant des implants médicaux doivent consulter leur médecin et le fabricant de leur implant avant d'utiliser cette machine.

Sécurité de la zone de coupe



AVERTISSEMENT! Il incombe à l'utilisateur de s'assurer qu'aucun animal et qu'aucun spectateur ne se trouve à l'intérieur de la zone de travail. Ne commencez pas la coupe avant de vous assurer que la zone de travail est dégagée.

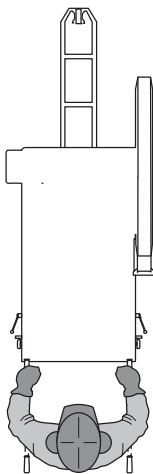
- Observez la zone environnante et assurez-vous qu'aucun facteur ne risque d'affecter votre contrôle de la machine.
- Assurez-vous que personne/rien ne peut se trouver en contact avec l'équipement de coupe ou être touché par des pièces projetées par la lame.
- N'installez pas de lame sur la machine avant qu'elle n'ait été transportée jusqu'à la zone de coupe.
- Ne pas travailler par mauvais temps: brouillard épais, pluie diluvienne, vent violent, grand froid, etc. Travailler par mauvais temps est fatiguant et peut créer des conditions de travail dangereuses telles que le verglas.
- Ne jamais commencer à travailler avec la machine sans avoir le champ libre et les pieds bien d'aplomb. Identifier les obstacles éventuels dans le cas de déplacement inattendu. S'assurer qu'aucun matériau ne risque de tomber et de provoquer des blessures ou des dommages lors de travail avec la machine. Redoubler de prudence en cas de travail dans un terrain en pente.
- S'assurer que l'éclairage de la zone de travail est suffisant pour que l'environnement de travail soit de toute sécurité.
- Assurez-vous qu'aucun tuyau ou câble électrique ne passe par la zone de travail ou dans le matériau à découper.
- Faire tourner un moteur dans un local fermé ou mal aéré peut causer la mort par asphyxie ou empoisonnement au monoxyde de carbone.

Techniques de travail de base

- Cette machine est conçue pour la découpe du béton frais et renforcé dans différentes classes de dureté, et de l'asphalte.
- Sciez toujours dans une position qui facilite l'accès au bouton d'arrêt de la machine.
- Vérifiez qu'aucun outil ou autre objet n'a été posé sur la machine.
- Toujours contrôler que le protège-lame est monté correctement avant de démarrer la machine. Ne procédez jamais à une découpe sans utiliser le protège-lame.

COMMANDE

- Avant le sciage, toutes les entailles doivent être marquées clairement et planifiées de manière à pouvoir être effectuées sans danger pour les personnes ou la machine.
- Ne meulez jamais avec le côté du disque; il risquerait de s'abîmer, de se casser ou de causer de graves blessures. N'utiliser que le tranchant.
- Ne vous tenez pas derrière ou devant la trajectoire de la lame alors que le moteur est en marche.
- Ne laissez pas la machine sans surveillance alors que le moteur est en marche.
- Vous ne devez jamais basculer la lame sur le côté, ni la coincer, ni l'entortiller dans une coupure.
- Assurez-vous toujours de la présence à proximité d'une autre personne lorsque vous utilisez la machine afin que vous puissiez demander de l'aide en cas d'accident.
- Ne vous tenez jamais derrière ou devant la trajectoire de la lame lorsque le moteur est en marche. La position de l'opérateur doit être entre les deux poignées de guidon.



Position de la poignée

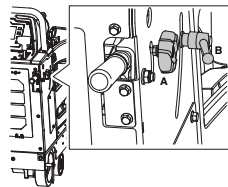
REMARQUE ! N'utilisez jamais les poignées de guidon pour soulever la scie.

Utilisez les poignées de guidon pour manœuvrer la scie.

Vous pouvez régler la hauteur et la longueur de la position des poignées de guidon.

- Desserrez le bouton de verrouillage **A** pour régler la longueur.
- Tournez le bouton de verrouillage de réglage de la poignée **B** dans le sens inverse des aiguilles d'une montre pour déverrouiller la poignée de guidon et la repositionner. Tournez le bouton dans le sens des aiguilles d'une montre pour verrouiller la poignée de

guidon en position. Placer la poignée à la hauteur de travail la plus confortable. Serrez le bouton de verrouillage.

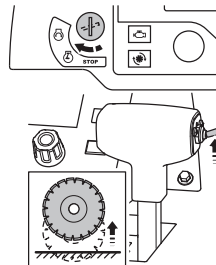


Déplacement de la machine

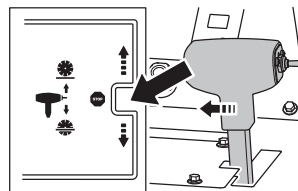
Avant de déplacer la machine, lisez et assurez-vous de bien comprendre les instructions indiquées dans la section « Démarrage et arrêt ».

Déplacement de la machine lorsque le moteur est arrêté

- Tournez le commutateur de démarrage du moteur à la position de contact.
- Relevez la scie en appuyant sur le commutateur de relevage et d'abaissement situé sur le levier de commande de vitesse jusqu'à ce que la lame (si elle est installée) ne touche pas à la surface de la chaussée.



- Placez le levier de commande de vitesse à la position STOP (arrêt).



- Réglez la soupape de décharge de la transmission dans le sens inverse des aiguilles d'une montre en position vers le haut (point mort).
- Vous pouvez désormais déplacer la scie en vous plaçant derrière celle-ci et en la poussant (tout en maintenant les poignées de guidon).

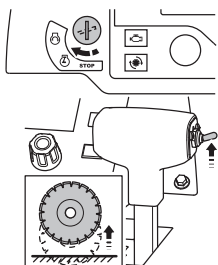


AVERTISSEMENT! Ne tentez pas de pousser la scie pendant qu'elle se trouve en position de point mort sur une pente (ou une colline). L'opérateur de la scie peut perdre la maîtrise de la scie et se blesser ou blesser d'autres personnes se trouvant dans la zone de travail.

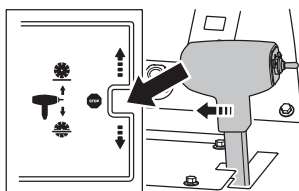
COMMANDE

Déplacement de la scie lorsque le moteur est en marche

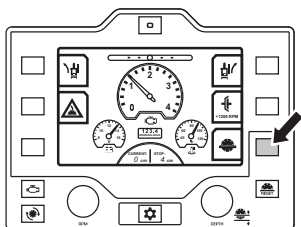
- Tournez le commutateur de démarrage du moteur à la position de contact.
- Relevez la scie en appuyant sur le commutateur de relevage et d'abaissement situé sur le levier de commande de vitesse jusqu'à ce que la lame (si elle est installée) ne touche pas à la surface de la chaussée.



- Placez le levier de commande de vitesse à la position STOP (arrêt).



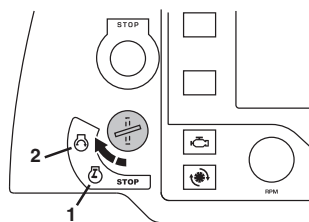
- La commande des gaz se trouve au réglage de vitesse de rotation à vide par défaut.
- Assurez-vous que l'embrayage de la lame est désengagé (si l'embrayage est installé).



REMARQUE ! Portez une attention particulière aux machines sans embrayage; la lame commence à tourner au démarrage. À des fins de sécurité, ne déplacez pas la scie latéralement ou hors de la zone de coupe lorsque la lame est installée et qu'elle tourne.

- Lorsque le commutateur de démarrage du moteur est en position de contact, vérifiez l'affichage et assurez-vous que le symbole de préchauffage est éteint. S'il est allumé, cela signifie que les bougies de préchauffage réchauffent le moteur et ce dernier ne démarrera pas. Attendez quelques secondes jusqu'à ce qu'il s'éteigne.

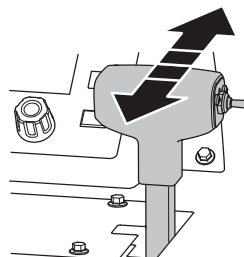
- Lorsque le symbole de préchauffage est éteint, tournez le commutateur de démarrage du moteur à la position de démarrage du moteur jusqu'à ce que le moteur démarre, puis relâchez le commutateur. Il retourne automatiquement à la position de contact.



ATTENTION ! Si le moteur ne démarre pas, tournez le commutateur de démarrage du moteur à la position STOP (arrêt) et vérifiez si des messages sont affichés à l'écran. S'il n'y a aucun message, effectuez de nouveau les étapes indiquées ci-dessus. En cas de message, prenez les mesures nécessaires selon le message affiché à l'écran avant de tenter de nouveau le démarrage.

- Poussez le levier de commande de vitesse vers l'avant pour déplacer la scie vers l'avant ou poussez-le vers l'arrière pour déplacer la scie vers l'arrière.

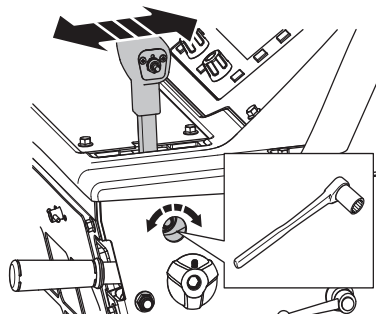
Plus vous poussez le levier, plus la vitesse est rapide. Pour de plus amples informations, consultez la rubrique « Caractéristiques techniques ».



AVERTISSEMENT ! N'ouvrez pas ou ne fermez pas la soupape de décharge de transmission pendant que le moteur est en marche.

N'ouvrez pas la soupape de décharge au point mort lorsque la scie est stationnée sur une pente (ou une colline). L'opérateur perdra la maîtrise de la machine et pourrait subir des blessures ou provoquer des dommages.

Réglez la résistance sur le levier de commande de vitesse à l'aide de l'écrou sur le côté du levier.



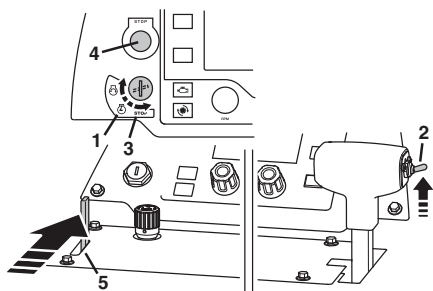
COMMANDE

Montage de la lame

Avant l'installation de la lame, lisez et assurez-vous de bien comprendre les instructions indiquées dans la section « Réglage de la vitesse de rotation du moteur, de la vitesse de rotation de l'arbre de lame et de la vitesse de la boîte d'engrenages ».

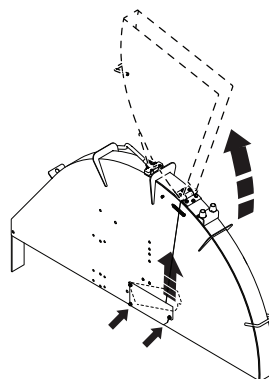
ATTENTION ! Contrôlez le sens de rotation de la lame. La flèche sur la lame et le protège-lame indiquent le sens de rotation.

- 1 Transportez la machine dans la zone de coupe et vérifiez les environs en fonction des informations qui se trouvent dans la rubrique Sécurité de la zone de coupe.
- 2 Réglez le commutateur de démarrage du moteur à la position de contact.
- 3 Relevez la scie à une position haute à l'aide du commutateur de relevage et d'abaissement situé sur le levier de commande de vitesse.
- 4 Réglez le commutateur de démarrage du moteur à la position STOP (arrêt).
- 5 Appuyez sur le bouton d'arrêt de la machine situé sur le panneau de commande.
- 6 Éteignez le robinet de prise d'eau.



- Desserrez le boulon avant du protège-lame et relevez le loquet du protège-lame.

- Relevez la partie avant du protège-lame et utilisez le crochet de sûreté pour la verrouiller en position verticale.



AVERTISSEMENT! Assurez-vous que la lame, les flasques de lame et l'arbre de flasque de lame ne sont pas endommagés. Nettoyez les surfaces de contact de la lame et les flasques de lame. Assurez-vous que la lame et les flasques sont propres et qu'ils sont exempts de saletés et de débris avant l'installation de la lame sur la machine.

Le boulon de l'arbre de lame du côté droit de la scie comporte des filets gauches et le boulon de l'arbre de lame du côté gauche de la scie comporte des filets droits. Remplacez le boulon de l'arbre de lame et la rondelle plate lorsqu'ils sont usés ou endommagés.

- 1 Desserrez le boulon de l'arbre de lame qui est utilisé pour serrer la lame entre le flasque intérieur et le flasque extérieur.
- 2 Retirez le flasque extérieur et la rondelle plate.
- 3 Installez la lame de diamant sur l'arbre de flasque extérieur.
- 4 Installez le flasque extérieur avec la lame préinstallée dans le flasque intérieur en vous assurant que la goupille de sécurité traverse la lame de diamant et est acheminée dans le flasque intérieur.

Utilisez toujours la rondelle plate avec le boulon de l'arbre de lame.

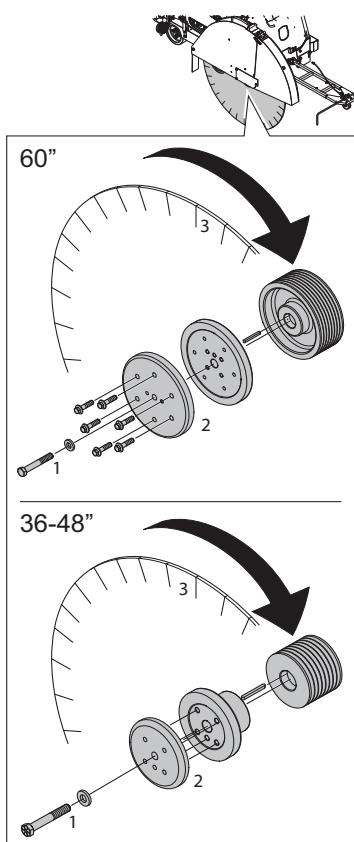
Faites pivoter la lame dans le sens opposé de la rotation de la lame pour éliminer le jeu.

- 5 Serrez fermement le boulon de l'arbre de lame avec la clé fournie.

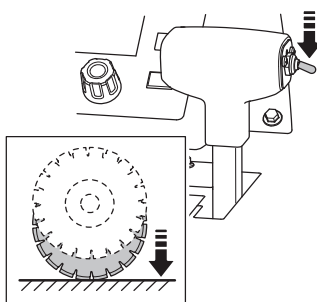
Avec les lames de 1 500 mm/60 po, desserrez et serrez le flasque comme décrit plus haut en plus de serrer fermement les 6 boulons qui tiennent le flasque.

COMMANDE

- Installez et serrez le boulon de l'arbre de lame et la rondelle plate à l'aide de la clé d'arbre de lame tout en maintenant fermement la lame.



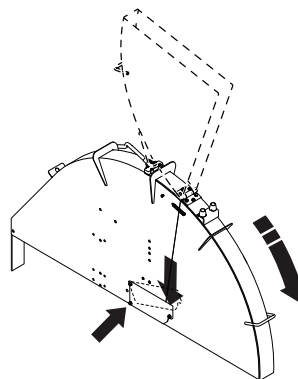
- Abaissez la scie en appuyant vers le bas sur le commutateur de relevage et d'abaissement situé sur le levier de commande de vitesse jusqu'à ce que la lame touche la surface à couper.



REMARQUE ! Pour éviter d'endommager la lame, cette dernière doit toucher doucement la surface. Utilisez le bouton de commande de vitesse d'abaissement pour ralentir la vitesse d'abaissement. Ne laissez jamais la lame supporter le poids avant de la machine, car vous endommagerez la lame.

- Serrez fermement le boulon de l'arbre de lame à l'aide de la clé d'arbre de lame alors que la résistance entre la lame de diamant et le sol aide à atteindre le serrage approprié et final.

- Abaissez la partie avant du protège-lame et positionnez le loquet du protège-lame sur le boulon avant du protège-lame. Serrez le boulon avant du protège-lame.



ATTENTION ! N'utilisez pas cette scie sans que le loquet soit engagé et le boulon installé. N'utilisez pas la scie si elle est endommagée.

- Tester la machine et vérifier qu'aucun bruit inhabituel ne se fait entendre. Des bruits inhabituels sont le signe d'une lame mal montée.

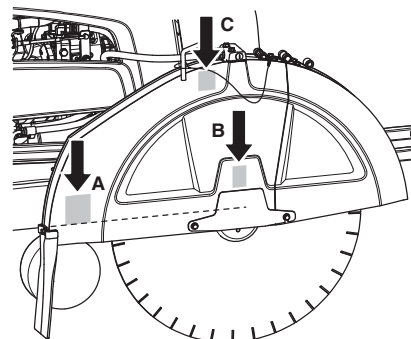
Installation du protège-lame 36"-42"

Les protège-lames coulissants sont munis d'un dispositif de verrouillage de protège-lame qui enclenche la moitié arrière du protège-lame.

N'utilisez pas cette scie sans que le dispositif de verrouillage ne soit enclenché. Vérifiez fréquemment les protège-lames et les dispositifs de verrouillage. N'utilisez pas la scie si ces pièces sont endommagées.

Abaissez le protège-lame sur la bêche de support et utilisez une force modérée pour appuyer vers le bas sur le protège-lame jusqu'à ce que le dispositif de verrouillage s'enclenche.

- Des protège-lames de 91,4 cm (36 po) et 106,7 cm (42 po) sont abaissés sur trois bèches **A**, **B** et **C**.

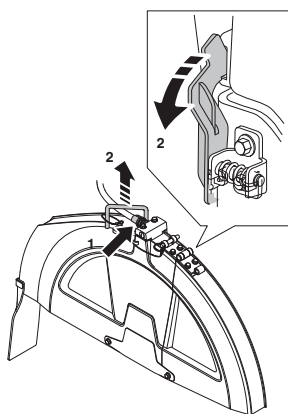


Retrait du protège-lame 36"-42"

- 1 Débranchez le flexible d'eau du protège-lame.

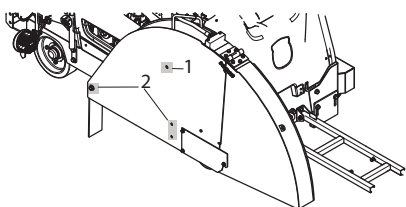
COMMANDE

- Utilisez la clé d'arbre de lame, tournez le dispositif de verrouillage du protège-lame vers l'avant jusqu'à ce qu'il s'arrête et se déverrouille. Levez en même temps le protège-lame avec sa poignée qui ne touche pas les bûches de support.

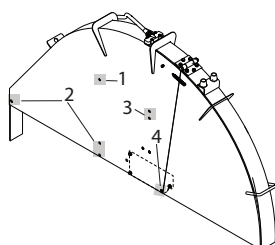


Installation du protège-lame 48''-60''

48''



60''



- Une vis fixée sur le haut du support du protège-lame.
- Trois vis fixées sur le châssis.
- Deux vis fixées sur le support du protège-lame.
- Une vis fixée sur le protège-courroie.

Retrait du protège-lame 48''-60''

- Débranchez le flexible d'eau du protège-lame.
- Enlevez le boulon qui retient le protège-lame.
- Retrait du protège-lame

Fonction d'arrêt de la profondeur de coupe de la lame

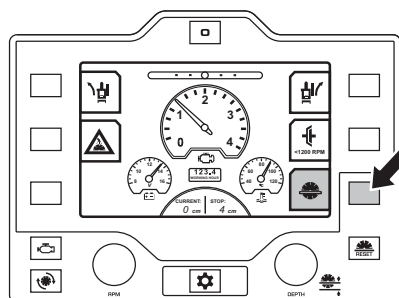
La scie est munie d'une fonction d'arrêt de la profondeur de coupe de la lame qui est activée au moyen d'un bouton situé sur le panneau de commande. Lorsque cette fonction est activée, la profondeur de coupe s'arrête à la profondeur de coupe choisie par l'opérateur.

Pour obtenir de plus amples renseignements sur la profondeur maximale de coupe pour différentes tailles de lame, consultez la section « Lames ».

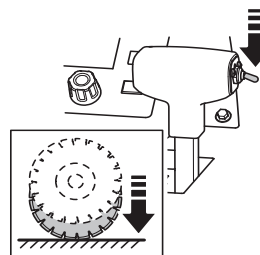
Réglage de la profondeur de coupe

ATTENTION ! La profondeur de coupe doit correspondre aux spécifications particulières requises, car un sciage à une profondeur supérieure aux spécifications peut causer des problèmes de résistance structurelle.

- Activez la fonction d'arrêt de la profondeur de coupe de la lame au moyen du bouton situé sur le panneau de commande.

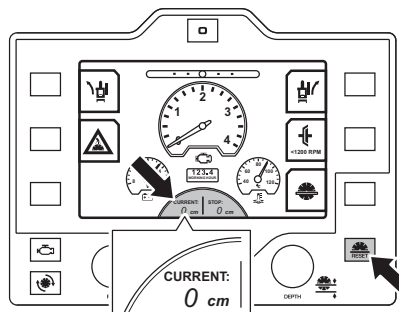


- Abaissez la scie en appuyant vers le bas sur le commutateur de relevage et d'abaissement situé sur le levier de commande de vitesse jusqu'à ce que la lame touche la surface à couper. Ceci sera le point de référence.



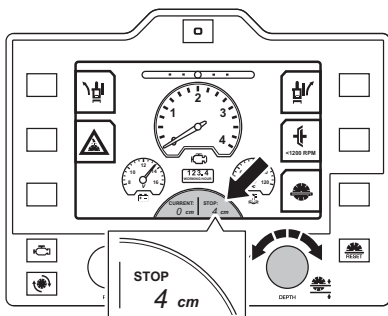
REMARQUE ! Pour éviter d'endommager la lame, cette dernière doit toucher doucement la surface. Utilisez le bouton de commande de vitesse d'abaissement pour ralentir la vitesse d'abaissement.

- Appuyez sur le bouton de mise à zéro de la lame situé sur le panneau de commande. La valeur actuelle à l'écran est maintenant « 0 ».

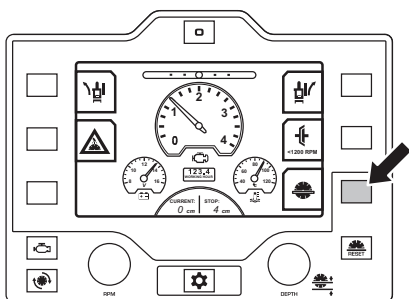


COMMANDE

- Réglez la profondeur de coupe souhaitée en tournant le bouton de profondeur. La profondeur de coupe choisie s'affiche maintenant à l'écran dans une petite boîte appelée « STOP » (arrêt).



- Lorsque la lame est abaissée, la profondeur de coupe actuelle indiquera la différence entre le point de référence et la lame de diamant.
- La scie ne s'abaissera pas à une profondeur supérieure à la position d'arrêt définie à l'écran. Si une coupe plus profonde est requise, tournez le bouton de profondeur de la lame à une nouvelle position de profondeur. Vous pouvez également désactiver la fonction d'arrêt de la profondeur de coupe de la lame en appuyant sur le bouton de la fonction d'arrêt de la profondeur de coupe de la lame pour annuler la fonction.

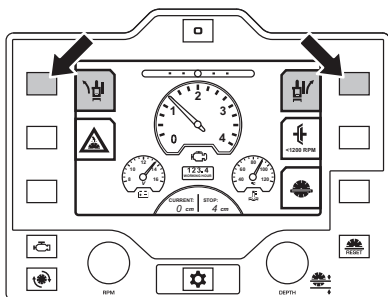


Sciage en ligne droite

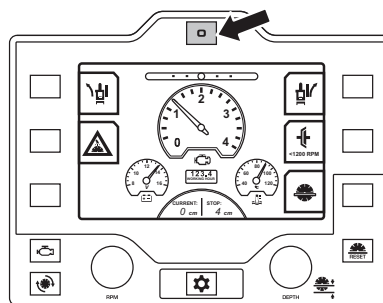
Lors de la coupe, la lame crée une résistance à la force motrice provenant des roues arrière, ce qui cause l'orientation de la machine dans la même direction que la lame installée. Cet effet peut être amorti en réglant l'angle de l'essieu arrière à l'aide du système de suivi électronique ou des réglages manuels de l'essieu.

Scie avec suivi électronique

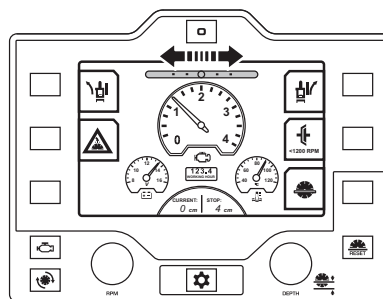
- Sur le panneau de commande, appuyez sur les boutons de réglage du système de suivi électronique représentant les réglages des essieux arrière gauche et droit. Appuyez plusieurs fois sur les boutons pour obtenir des réglages précis.



- En appuyant sur le bouton de mise à zéro du E-track du panneau de commande, l'essieu arrière revient à l'angle central prédéfini.



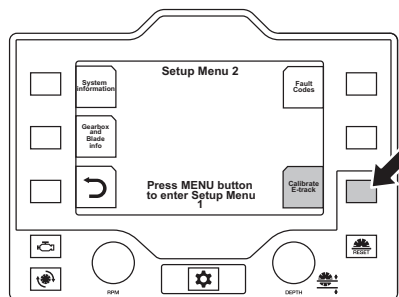
- Retournez au réglage précédent en appuyant de nouveau sur le bouton de mise à zéro du système de suivi électronique du panneau de commande.
- L'indicateur du E-track à l'écran indique l'angle actuel de l'essieu arrière. La modification s'enregistre si le contact est coupé ou la machine mise hors tension.



- Les réglages peuvent être effectués lors du sciage ou en l'absence de sciage.
- Confirmez visuellement le mouvement et la direction de l'essieu.

Réglage du nouvel angle central pour le système de suivi électronique

- Réglez l'essieu arrière au nouvel angle central souhaité.
- À l'écran, entrez « Setup Menu 2 » (menu de configuration 2), puis appuyez sur la touche « Calibrate E-track » (étalonner le système de suivi électronique). Ce réglage est sauvegardé même après le redémarrage du moteur.

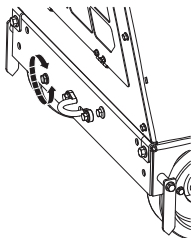


Scies avec réglage manuel de l'essieu

- Pour régler l'essieu arrière, tournez le boulon de réglage situé dans la partie arrière gauche inférieure du cadre de scie à l'aide d'une clé de 18 mm.

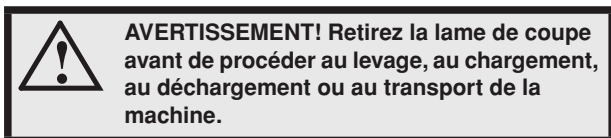
COMMANDE

- Si la scie se dirige vers la droite lors du sciage, tournez le boulon de réglage dans le sens inverse des aiguilles d'une montre.
- Si la scie se dirige vers la gauche lors du sciage, tournez le boulon de réglage dans le sens des aiguilles d'une montre.



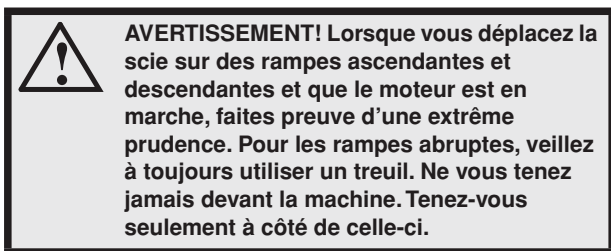
Transport et rangement

- Retirez la lame avant le transport ou l'entreposage de la machine pour éviter d'endommager la lame.
- Retirez tous les outils de réglage et les clés.



Transport

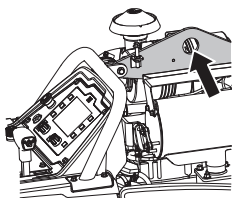
La scie à lame plate n'est pas équipée d'un frein de stationnement. Elle se déplacera lentement par elle-même si vous la laissez sur une pente ou une colline abrupte. Ne laissez jamais la scie sans surveillance sur une pente ou une colline abrupte à moins qu'elle ne soit bien fixée.



- Pour descendre une rampe, déplacez lentement la scie vers l'arrière.
- Pour monter une rampe, déplacez lentement la scie vers l'avant.

Relevage de la scie

- Faites preuve de prudence en cas de levage. Le maniement de pièces lourdes implique un risque de coinçage ou autre blessure.
- Pour soulever la machine, toujours utiliser l'œilleton de levage dont elle est munie.



Transport de la scie par véhicule

- Sécurisez l'équipement lors du transport afin d'éviter tout dommage ou accident. Utilisez les crochets d'arrimage installés à l'usine sur la scie, à l'avant et à l'arrière, pour prévenir le déplacement pendant le transport.
- Ne remorquez pas cette scie avec un autre véhicule pour éviter d'endommager les organes de transmission.

Remisage

Stockez l'équipement dans un endroit verrouillé afin de le maintenir hors de portée des enfants et de toute personne incompétente.

- Arrêtez le moteur en tournant le commutateur de démarrage du moteur à la position STOP (arrêt).
- Placez le levier de commande de vitesse à la position STOP (arrêt).
- En cas de risque de gel, la machine doit être vidangée de toute eau de refroidissement qui reste dans le boîtier d'engrenages.

Pour le transport et le stockage du carburant et de la batterie, consultez les sections « Manutention du carburant » et « Manipulation de la batterie ».

Pour le transport et le rangement des lames, voir la rubrique « Lames ».

Entreposage à long terme

Avant de remettre la machine pour une période prolongée, veiller à ce qu'elle soit bien nettoyée et que toutes les mesures d'entretien aient été effectuées.

- Retirez la lame pour l'entreposage et rangez-la avec soin.
- Lubrifiez tous les raccords filetés avant l'entreposage.
- Débranchez la borne négative et placez-la à une distance sécuritaire de la batterie.
- Appliquez une charge lente à la batterie durant l'entreposage à long terme.
- Lors de l'entreposage de la machine pendant des périodes prolongées, le réservoir de carburant doit être plein. Ceci permet de réduire l'eau condensée dans le circuit d'alimentation.
- Rangez la machine et ses équipements dans un endroit sec et à l'abri du gel.
- Si la machine est entreposée à l'extérieur, couvrez la machine.
- Vérifiez si le point de congélation du liquide de refroidissement du moteur est adéquat pour les températures auxquelles la machine est entreposée.
- Vidangez l'eau du boîtier d'engrenages.
- Vérifiez et videz l'eau qui se trouve dans le filtre séparateur d'eau et de carburant.
- Vidangez l'huile moteur après un entreposage à long terme.

COMMANDE

Réglage de la vitesse de rotation du moteur, de la vitesse de rotation de l'arbre de lame et de la vitesse de la boîte d'engrenages



AVERTISSEMENT! L'opérateur ou les personnes se trouvant dans la zone de travail risquent de subir de graves blessures si la vitesse de rotation (n/min) de la lame de diamant dépasse la vitesse maximale (n/min) indiquée sur la lame de diamant.

Vitesse de rotation du moteur

La vitesse de rotation du moteur réglée à l'usine sur ces machines ne doit pas être modifiée. Pour de plus amples informations, consultez la rubrique « Caractéristiques techniques ».

Vitesse de rotation de l'arbre de lame

La vitesse de rotation de l'arbre de lame sur ces machines doit être vérifiée avant d'installer la lame de diamant sur la machine.

N'installez jamais une lame de diamant si la vitesse de rotation de l'arbre de lame (n/min) de la machine est supérieure à la vitesse maximale (n/min) indiquée sur la lame de diamant.

La poulie de l'arbre de lame, le flasque extérieur et le flasque intérieur doivent possiblement être changés si le diamètre de la lame de diamant est modifié.

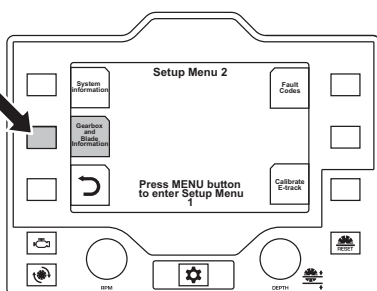
Modèle de boîte d'engrenages à une vitesse

Chaque modèle de scie muni d'une boîte d'engrenages à une vitesse, tel que livré de l'usine, est configuré pour fonctionner avec une lame de taille précise à l'intérieur du protège-lame particulier installé sur la machine. Si la taille de la lame doit être modifiée, selon une des tailles offertes, la configuration de l'entraînement de lame doit alors être modifiée.

Pour plus d'informations au sujet de la gamme complète des tailles de lames disponibles, veuillez contacter votre revendeur ou votre fournisseur de services local.

Si une machine équipée d'une boîte d'engrenages à une vitesse est munie d'une lame de diamant de petite taille qui doit être changée pour une lame de diamant de très grande taille (ou vice versa), il est nécessaire de changer les composants suivants :

- Poulies de l'arbre de lame
- Poulies de la boîte d'engrenages
- Flasques de l'arbre de lame
- Courroies
- Protège-lame
- Entrez les informations relatives à la boîte d'engrenages et à la lame à l'intérieur de « Setup menu 2 » (menu de configuration 2) à l'écran pour afficher les spécifications de la configuration souhaitée.



Consultez les tableaux de conversion des tailles de lame sous l'en-tête de tableau « Conversion des tailles de lame » pour obtenir des renseignements spécifiques sur les pièces nécessaires. Communiquez avec votre concessionnaire Husqvarna pour placer une commande.

Exemple : FS7000 DL Modèle de boîte d'engrenages à une vitesse

Pour changer d'un entraînement de 500 mm (20 po) à un entraînement de 900 mm (36 po) :

- 1 Changez les poulies de la boîte d'engrenages du moteur d'un diamètre de 114,5 mm (4,51 po) à un diamètre de 89 mm (3,5 po).
- 2 Changez les poulies de l'arbre de lame d'un diamètre de 106 mm (4,17 po) à un diamètre de 146 mm (5,75 po).
- 3 Changez les flasques de l'arbre de lame (extérieur et intérieur) d'un diamètre de 114 mm (4,5 po) à un diamètre de 152,5 mm (6 po).
- 4 Changez le protège-lame d'un diamètre de 500 mm (20 po) à un diamètre de 900 mm (36 po).
- 5 Changez la courroie d'un diamètre de 11 430 mm (450 po) à un diamètre de 11 684 mm (460 po).
- 6 La vitesse de rotation du moteur ne change pas.

ENGINE SPEED / BLADE SIZE (FS 5000 D)						
Select	BLADE SIZE	FLANGE SIZE	BLADE SHAFT		ENGINE SPEED	
			LOADED RPM	PULLEY SIZE	RATED RPM	PULLEY SIZE
	14"	4.5"	3200	4.17"	3000	6"
	20"	4.5"	2400	4.17"	3000	4.51"
	26"	5"	1870	4.17"	3000	3.50"
	30"	5"	1630	4.78"	3000	3.50"
	36"	6"	1360	5.75"	3000	3.50"

FS 5000 D						
Select	BLADE SIZE		RPM		RPM	
	350mm	114mm	3200	106mm	3000	152.5mm
	500mm	114mm	2400	106mm	3000	114.5mm
	650mm	127mm	1870	106mm	3000	89mm
	750mm	127mm	1630	121.5mm	3000	89mm
	900mm	152.5mm	1360	146mm	3000	89mm

ENGINE SPEED / BLADE SIZE (FS 5000 D)						
Select	BLADE SIZE	FLANGE SIZE	BLADE SHAFT		ENGINE SPEED	
			LOADED RPM	PULLEY SIZE	RATED RPM	PULLEY SIZE
	14"	4.5"	3200	4.17"	3000	6"
	20"	4.5"	2400	4.17"	3000	4.51"
	26"	5"	1870	4.17"	3000	3.50"
	30"	5"	1630	4.78"	3000	3.50"
	36"	6"	1360	5.75"	3000	3.50"

COMMANDE

Modèle de boîte d'engrenages à trois vitesses



AVERTISSEMENT! L'opérateur ou les personnes se trouvant dans la zone de travail risquent de subir de graves blessures si la vitesse de rotation (n/min) de la lame de diamant dépasse la vitesse maximale (n/min) indiquée sur la lame de diamant.



REMARQUE ! N'effectuez jamais un changement de vitesses lorsque le moteur est en marche, vous risqueriez d'endommager la boîte d'engrenages. Ne changez jamais de vitesses avant de vérifier la configuration de l'entraînement de lame.

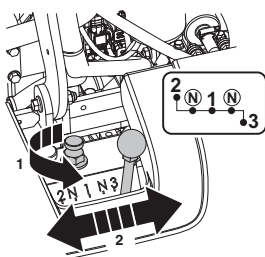
Changement de vitesses



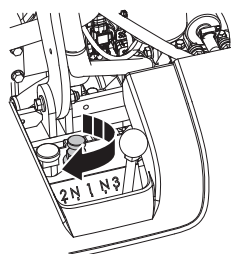
AVERTISSEMENT! Après le changement de vitesses, serrez le bouton à la main et serrez l'écrou de blocage, sinon la boîte d'engrenages pourrait être endommagée.

La boîte d'engrenages à trois vitesses est munie de trois vitesses et de deux positions de point mort. Cette boîte d'engrenages peut passer à la position de point mort si la rotation de la lame doit être annulée pendant que le moteur est en marche. Si la machine est équipée de l'embrayage de lame en option, l'embrayage de lame peut être désactivé pour annuler la rotation de la lame pendant que le moteur est en marche.

- Réglez le commutateur de démarrage du moteur à la position STOP (arrêt). Coupez toujours le moteur avant d'effectuer un changement de vitesses.
- Vérifiez si la taille des poulies, la taille des flasques et la vitesse de rotation de l'arbre de lame sont appropriées pour la taille de lame montée sur la machine.
- Desserrez l'écrou de blocage. Tournez deux fois le bouton.
- Déplacez le levier de vitesses de la boîte d'engrenages à la vitesse souhaitée. Si les changements de vitesses de la boîte d'engrenages ne s'effectuent pas en douceur, un léger déplacement de l'arbre de lame peut faciliter le mouvement du levier de vitesses de la boîte d'engrenages.



- Serrez le bouton à la main. Serrez l'écrou de blocage (40 Nm/30 pi/lb).



Une machine équipée d'origine d'une boîte d'engrenages à trois vitesses est conçue pour minimiser les réglages nécessaires pour les modifications de taille de lame. Toutefois, cela nécessitera quelques réglages. La machine est configurée d'origine pour fonctionner avec une plage spécifique de tailles de lame à l'intérieur du protège-lame installé à l'usine.

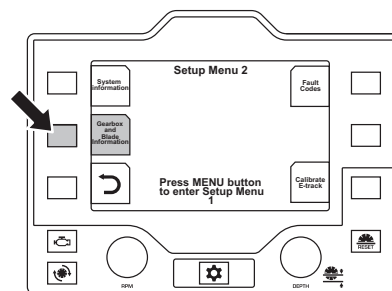
Ces machines comportent quatre configurations d'entraînement de machine possibles :

- 20-36, pour les lames de 500 mm à 900 mm (20 po à 36 po);
- 26-42, pour les lames de 650 mm à 1 000 mm (26 po à 42 po).
- 750 à 1 200 pour des lames de 750 à 1 200 mm (30 po à 48 po)
- 900 à 1 500 pour des lames de 900 à 1 500 mm (36 po à 60 po)

Si la taille de la lame doit être modifiée, **à l'intérieur** de la configuration actuelle, il ne suffit alors que de changer les vitesses.

Si la taille de la lame doit être modifiée, **à l'extérieur** de la configuration actuelle, il est nécessaire alors de changer la configuration de l'entraînement de lame.

- Entrez les informations relatives à la boîte d'engrenages et à la lame à l'intérieur de « Setup menu 2 » (menu de configuration 2) à l'écran pour afficher les spécifications de la configuration souhaitée.



Consultez les tableaux de conversion des tailles de lame sous l'en-tête de tableau « Conversion des tailles de lame » pour obtenir des renseignements spécifiques sur les pièces nécessaires.

COMMANDE

Par exemple :

Pour changer la taille de la lame sur une configuration de l'entraînement de lame de boîte d'engrenages à trois vitesses FS7000 DL, 650-1000/26-42 à l'intérieur de cette plage, il est nécessaire de déplacer seulement le levier de vitesses de la boîte d'engrenages dans la position appropriée (1, 2 ou 3).

Si la taille de lame requise est à l'extérieur de la plage de configuration de l'entraînement de lame, sous 500 mm (20 po) ou au-dessus de 750 mm (30 po) pour cet exemple, la configuration de l'entraînement de lame doit alors être modifiée. Cela peut nécessiter le changement de vitesses et le changement des poulies de l'arbre de lame, des poulies de la boîte d'engrenages, des courroies et des flasques de l'arbre de lame.

Exemple : FS7000 DL Modèle de boîte d'engrenages à trois vitesses

Pour changer un modèle de boîte d'engrenages à trois vitesses d'un entraînement de 900mm (30 po) à un entraînement de 1000 mm (42 po) :

- Déterminez d'abord la configuration de l'entraînement actuelle de la machine. Ceci devrait correspondre au diamètre du flasque d'arbre de lame installé sur la scie.
- Si la configuration de l'entraînement de lame actuelle est une boîte d'engrenages à trois vitesses FS7000 DL, 26-42/650-1000, le flasque actuel doit être de 178 mm (7 po), ce qui est approprié pour l'utilisation avec une lame de 1000 mm (42 po).

Select		GEARBOX RANGE / BLADE RPM (26-42, FS 7000 DL)					
GEAR	BLADE SIZE (Inch/mm)	FLANGE SIZE	BLADE RPM	PULLEY	ENGINE RPM	PULLEY	
3	26"		1860		2600	4.29"	
2	36"	7"	1300	5.75"	2600	4.29"	
1	42"		1110				

Select		GEARBOX RANGE / BLADE RPM (650-1000, FS 7000 DL)					
GEAR	BLADE SIZE (Inch/mm)	FLANGE SIZE	BLADE RPM	PULLEY	ENGINE RPM	PULLEY	
3	650mm		1860		2600	109mm	
2	900mm	178mm	1300	146mm	2600	109mm	
1	1000mm		1110				

- Vérifiez si les poulies au diamètre approprié sont installées. Consultez les tableaux de conversion des tailles de lame à l'écran pour obtenir les renseignements spécifiques.
- Passez de la position 3 à la position 1.
- Vérifiez si la configuration de l'entraînement de lame installée et la vitesse de rotation de l'arbre de lame correspondent aux données indiquées à l'écran sous « Informations relatives à la boîte d'engrenages et à la lame » à l'intérieur du Menu de configuration 2.

Ou.

- Si la configuration de l'entraînement de machine actuelle est une boîte d'engrenages à trois vitesses, 20-36/500-900, le flasque doit être de 152 mm (6 po) qui est trop petit pour une lame de 1000 mm (42 po) et doit être changé.

Select		GEARBOX RANGE / BLADE RPM (20-36, FS 7000 DL)					
GEAR	BLADE SIZE (Inch/mm)	FLANGE SIZE	BLADE RPM	PULLEY	ENGINE RPM	PULLEY	
3	20"		2240		2600	4.29"	
2	30"	6"	1560	4.78"	2600	4.29"	
1	36"		1340				

Select		GEARBOX RANGE / BLADE RPM (500-900, FS 7000 DL)					
GEAR	BLADE SIZE (Inch/mm)	FLANGE SIZE	BLADE RPM	PULLEY	ENGINE RPM	PULLEY	
3	500mm		2240		2600	109mm	
2	750mm	152mm	1560	121.5mm	2600	109mm	
1	900mm		1340				

- Changez la poulie de l'arbre de lame d'un diamètre de 121,5 mm (4,78 po) à un diamètre de 146 mm (5,75 po).
- Changez le flasque extérieur et le flasque intérieur d'un diamètre de 152 mm (6 po) à un diamètre de 178 mm (7 po).
- Passez de la position 3 à la position 1.
- Changez les courroies d'un diamètre de 14 73 mm (58 po) à un diamètre de 15 24 mm (60 po).
- Vérifiez si la configuration de l'entraînement de lame installée et la vitesse de rotation de l'arbre de lame correspondent aux données de configuration de l'entraînement de la boîte d'engrenages à trois vitesses FS7000 DL, 26-42/650-1000, indiquées à l'écran sous « Informations relatives à la boîte d'engrenages et à la lame » à l'intérieur du Menu de configuration 2.

Accessoires

Ensembles de conversion de protège-lame

Utilisez le protège-lame de taille appropriée pour la taille de lame de diamant particulière utilisée. Les protège-lames suivants sont disponibles pour ces lames de diamant.

Protège-lames, po/mm	Tailles de lame, po/mm
1500/65	900-1500/36-60
1200/48	750-1200/30-48
42/1000	26-42/650-1000
900/36	20-36/500-900

Consultez les tableaux de conversion des tailles de lame sous l'en-tête de tableau « Conversion des tailles de lame » pour obtenir des renseignements spécifiques sur les pièces nécessaires.

Ensembles en option

Ensemble d'éclairage double 585 92 46-01

Ensemble de pompe à eau 589 33 90-01

Ensemble d'éclairage double CE 589 65 06-01

Ensemble 5e roue 582 55 73-01

DÉMARRAGE ET ARRÊT

Avant le démarrage



AVERTISSEMENT! Lire attentivement et bien assimiler le manuel d'utilisation avant d'utiliser la machine.

Utiliser les équipements de protection personnelle. Voir au chapitre "Équipement de protection personnelle".

Veiller à ce qu'aucune personne non autorisée ne se trouve dans la zone de travail pour éviter le risque de blessures graves.

- Effectuez un entretien quotidien. Consultez les instructions dans la section « Entretien et réparation ».
- Contrôler que la lame n'est pas en contact avec quoi que ce soit quand la machine est démarrée

ATTENTION ! Lire le manuel de l'opérateur fourni par le fabricant du moteur.

Premier démarrage

- Vérifiez le niveau d'huile moteur sans la lame et placez la scie en position horizontale pour un niveau plat de la scie
- Branchez les câbles de la batterie. La scie à lame plate est fournie sans câbles de batterie branchés.

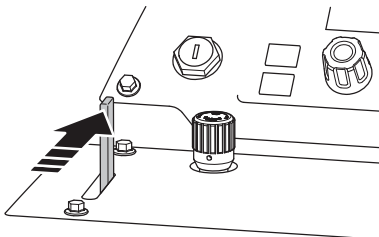
Dans certains marchés, les batteries ne sont pas fournies pour des raisons de sécurité durant le transport. Installez une nouvelle batterie.

Pour de plus amples informations, consultez la rubrique « Caractéristiques techniques ».

- Vérifiez le niveau du liquide de refroidissement.
- Vérifiez et réglez les unités au panneau de commande (température et mesures).
- Choisissez la langue du panneau de commande.

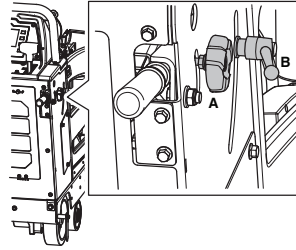
Démarrage

- Branchez la machine à l'alimentation en eau. Éteignez le robinet de prise d'eau.

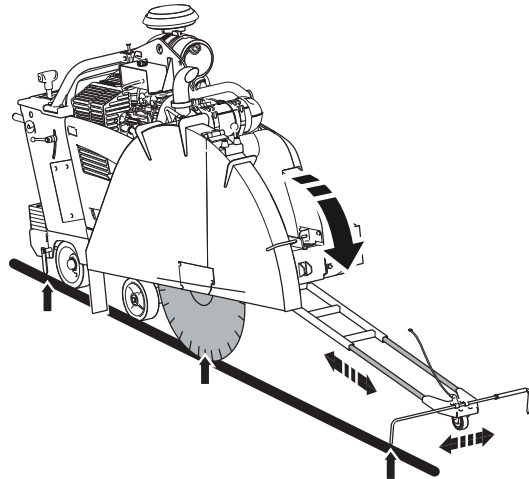


- Marquer les coupures à réaliser.

- Tirez les poignées de guidon à la longueur et à la hauteur souhaitées, puis serrez les boutons.

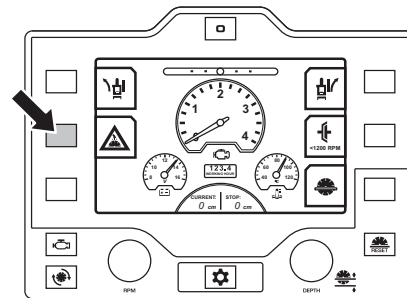


- Abaissez le guide avant et alignez le guide avant, le guide arrière et la lame de diamant avec la ligne sur la surface. Le guide avant est télescopique; réglez la longueur des vis à l'intérieur du guide avant.



Démarrer le moteur

- Pour démarrer la scie en l'absence de pression d'eau, désengagez le commutateur de sécurité d'eau.

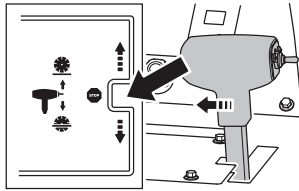


Système de sécurité d'eau

L'eau est utilisée pour prévenir la surchauffe de la lame tout en contrôlant la poussière causée par le sciage. Le système de sécurité d'eau contrôle la pression d'eau de la machine et interrompt le processus de sciage en cas de chute de pression.

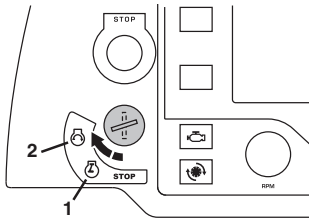
DÉMARRAGE ET ARRÊT

- Réglez le levier de commande de vitesse à la position STOP (arrêt). Le moteur ne démarre pas si le levier de commande de vitesse n'est pas dans la position distincte STOP (arrêt).



ATTENTION ! Assurez-vous que la soupape de décharge est fermée en position abaissée.

- Lorsque le symbole de préchauffage s'affiche, attendez que le moteur se réchauffe au moyen des bougies de préchauffage du moteur. Lorsque le symbole de préchauffage disparaît, tournez le commutateur de démarrage du moteur en position de démarrage du moteur afin de démarrer le moteur.



- Laissez le moteur se réchauffer pendant quelques minutes avec la commande des gaz à la vitesse de rotation à vide (minimum).

- Ne réchauffez pas la machine en dehors de la zone de coupe lorsque la lame est installée et qu'elle tourne. Pour monter la lame, consultez les instructions dans la rubrique Montage de la lame.



AVERTISSEMENT! Lorsque le moteur tourne, l'échappement contient des produits chimiques comme des hydrocarbures non brûlés et du monoxyde de carbone. Le contenu des gaz d'échappement est connu pour causer des problèmes respiratoires, des cancers, des malformations congénitales ou d'autres problèmes liés à la reproduction.

Le monoxyde de carbone est incolore et insipide, mais il est toujours présent dans les gaz d'échappement. Le début de l'empoisonnement au monoxyde de carbone se caractérise par de légers vertiges qui peuvent ou non être reconnus par la victime. Une personne peut s'effondrer ou perdre connaissance sans aucun avertissement si la concentration en monoxyde de carbone est suffisamment élevée. Comme le monoxyde de carbone est incolore et inodore, sa présence peut ne pas être détectée. Dès que des odeurs d'échappement sont perçues, le monoxyde de carbone est présent. N'utilisez jamais un produit alimenté par un moteur à combustion à l'intérieur ou dans un endroit confiné sans aération adéquate.



REMARQUE ! Portez une attention particulière aux machines sans embrayage, la lame commence à tourner au démarrage. À des fins de sécurité, ne déplacez pas la scie latéralement ou hors de la zone de travail lorsque la lame est installée et qu'elle tourne.

ATTENTION ! Si toutes les conditions de démarrage ne sont pas présentes, la condition sera affichée à l'écran. Effectuez l'opération indiquée associée à la condition et essayez de redémarrer le moteur.

DÉMARRAGE ET ARRÊT

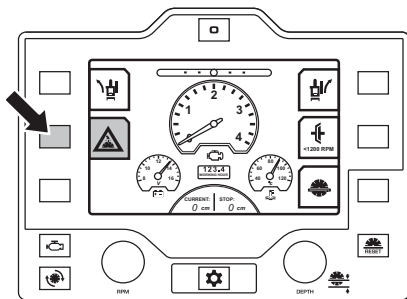
Commencer la découpe



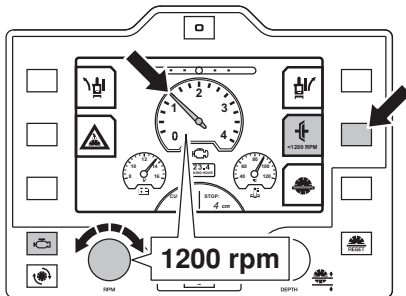
AVERTISSEMENT! Ne jamais utiliser des lames dont le régime indiqué est inférieur à celui de la découpeuse. Assurez-vous que la lame est correctement installée.

ATTENTION ! Consultez le tableau pour connaître les vitesses de rotation appropriées de l'arbre de lame et du moteur pour les tailles de lame spécifiques indiquées à l'écran.

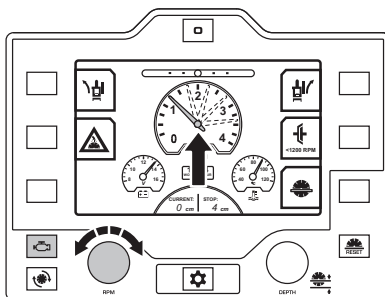
- Vérifiez l'alimentation en eau adéquate. Un débit faible d'eau entraînera des dommages aux lames de diamant. Activez le commutateur de sécurité d'eau situé sur le panneau de commande et ouvrez le robinet de prise d'eau.



- Engagez l'embrayage de lame (selon l'équipement) pour activer l'entraînement de lame. Seulement à une vitesse de rotation égale ou inférieure à 1 200 tr/min.

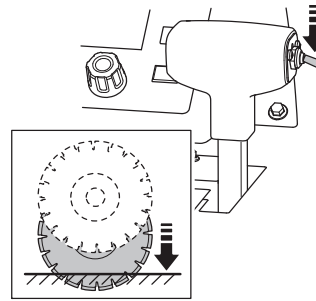


- Réglez la commande des gaz à la vitesse de rotation maximale du moteur.



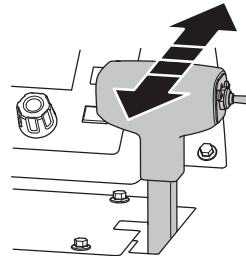
- Abaissez la scie en appuyant sur le commutateur de relevage et d'abaissement situé sur le levier de commande de vitesse jusqu'à ce que la lame de diamant se trouve à la profondeur de coupe souhaitée. Pour

obtenir de plus amples renseignements, consultez la section « Fonction d'arrêt de la profondeur de coupe de la lame ».



REMARQUE ! Lors de l'abaissement de la lame dans une coupure partielle, alignez exactement la lame avec la coupure pour éviter d'endommager la lame.

- Déplacez lentement la scie vers l'avant en appuyant sur le levier de commande de vitesse. Écoutez le bruit du moteur. Si le moteur commence à ralentir, compensez cette situation en tirant le levier de commande de vitesse vers l'arrière pour diminuer l'alimentation et prévenir le calage de la lame. Assurez-vous que le guide avant, le guide arrière et la lame de diamant restent sur la ligne.



Pour régler le suivi, consultez la section « Sciage en ligne droite ».

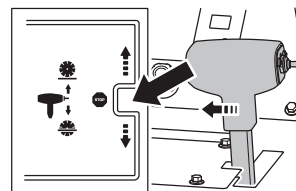
Arrêt



AVERTISSEMENT! Gardez toujours toutes les parties du corps éloignées de la lame et de toutes les autres pièces mobiles.

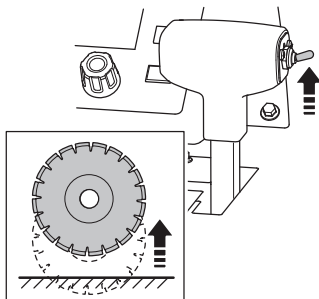
Arrêter la coupe.

- Placez le levier de commande de vitesse à la position STOP (arrêt).



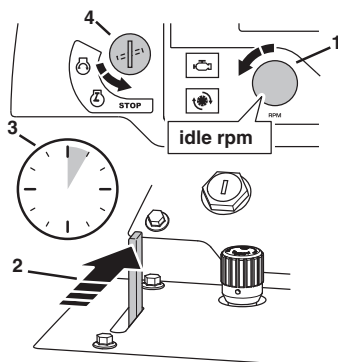
DÉMARRAGE ET ARRÊT

- Relevez la lame de diamant hors de la coupe en appuyant vers le haut sur le commutateur de relevage et d'abaissement situé sur le levier de commande jusqu'à ce que la lame de diamant ne touche plus aux surfaces.



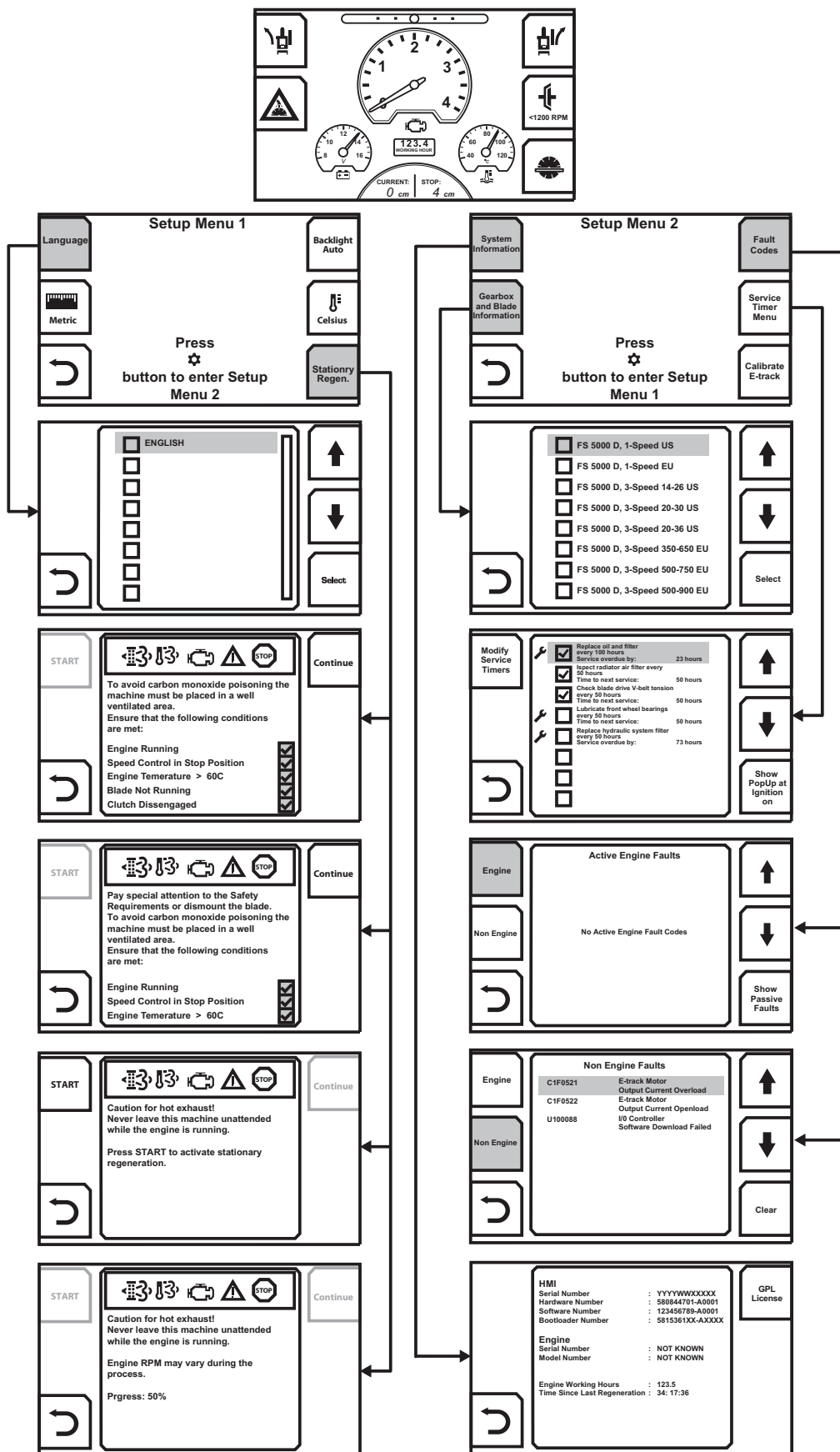
Arrêt du moteur

- 1 Tournez la commande des gaz à la position de grand ralenti.
- 2 Éteignez le robinet de prise d'eau.
- 3 Laissez le moteur fonctionner au ralenti pendant quelques minutes avant de le couper. Effectuez ces opérations dans la zone de coupe et ne laissez pas la machine sans surveillance.
- 4 Arrêtez le moteur en tournant le commutateur de démarrage du moteur à la position STOP (arrêt).



SYSTÈME DE MENUS

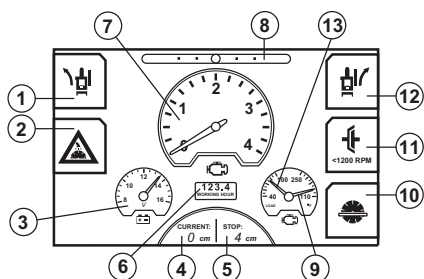
Vue d'ensemble des menus



Une présentation de chaque menu se trouve à la page suivante.

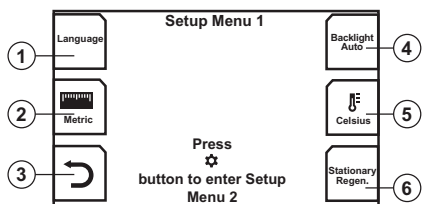
SYSTÈME DE MENUS

Présentation du système de menus



- 1 E-track, réglage vers la gauche
- 2 Système de sécurité d'eau
- 3 Tension de batterie
- 4 Profondeur actuelle de la lame
- 5 Réglage de la fonction d'arrêt de la profondeur de coupe de la lame
- 6 Temps de fonctionnement
- 7 Vitesse de rotation du moteur ou de la lame
- 8 E-track, position
- 9 Température du moteur
- 10 Fonction d'arrêt de la profondeur de coupe de la lame
- 11 Embrayage de la lame
- 12 E-track, réglage vers la droite
- 13 Charge du moteur

Menu de configuration 1

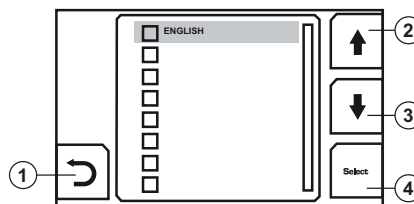


- 1 Langue
- 2 Unité de mesure de distance. Alternez entre les unités de distance métriques et impériales.
- 3 Bouton de retour (menu précédent)
- 4 Rétroéclairage. Permet de choisir entre trois niveaux de luminosité différents et un réglage automatique. Le réglage Auto (Automatique) est le réglage par défaut.
- 5 Unité de mesure de température. Alternez entre les degrés Celsius et Fahrenheit.
- 6 Régénération en stationnement. Le système vous indiquera lorsqu'il est nécessaire de nettoyer le filtre à particules.

Consultez les instructions dans la section « Entretien et réparation ».

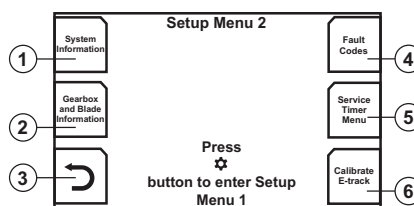
Langues

Sélection de la langue d'affichage requise.



- 1 Bouton de retour (menu précédent)
- 2 Navigation vers la langue précédente
- 3 Navigation vers la langue suivante
- 4 Touche Select

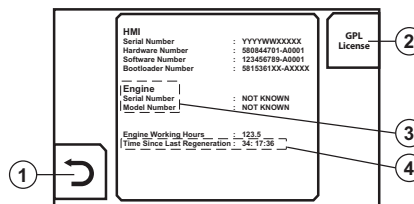
Menu de configuration 2



- 1 Information du système
- 2 Informations relatives à la boîte d'engrenages et à la lame
- 3 Bouton de retour (menu précédent)
- 4 Codes d'anomalie
- 5 Menu Service Timer (Minuterie d'entretien)
- 6 Étalonnage du E-track. La position actuelle du E-track devient la position centrale.

Information du système

Information relative au logiciel.



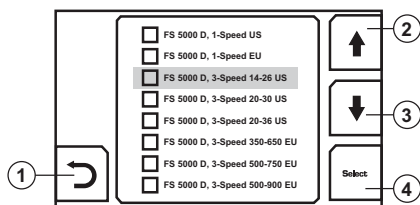
- 1 Bouton de retour (menu précédent)
- 2 Licence GPL (licence publique générale)
- 3 Information sur le moteur.
- FS7000 DL Identification du logiciel

Informations relatives à la boîte d'engrenages et à la lame

Indique la vitesse de rotation du moteur recommandée et la vitesse pour les tailles de lame disponibles.

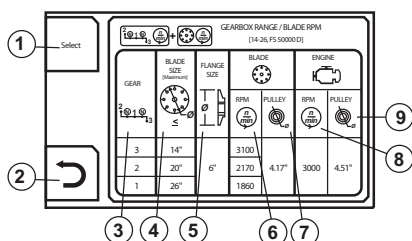
SYSTÈME DE MENUS

Les tableaux varient en fonction de la configuration de la boîte d'engrenages de la machine (à une vitesse ou à trois vitesses). Sélectionnez le modèle de votre produit.



- 1 Bouton de retour (menu précédent)
- 2 Navigation vers le modèle FS précédent.
- 3 Navigation vers le modèle FS suivant.
- 4 Touche Select

Informations relatives à la boîte d'engrenages et à la lame du produit sélectionné.



- 1 Touche Select
- 2 Bouton de retour (menu précédent)
- 3 Plage de la boîte d'engrenages (boîte d'engrenages à trois vitesses)
- 4 Diamètre de la lame de diamant, mm (po)
- 5 Diamètre du flasque de lame, mm (po)
- 6 Vitesse de rotation de la lame de diamant
- 7 Diamètre de la poulie de l'arbre de lame, mm (po)
- 8 Vitesse de rotation maximale du moteur
- 9 Diamètre de la poulie de la boîte d'engrenages, mm (po)

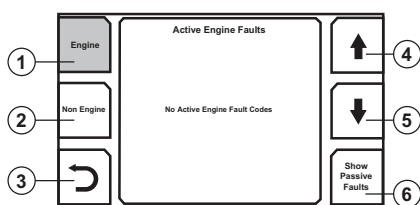
Codes d'anomalie

Indique les codes d'anomalie lorsque la machine détecte une anomalie.

Pour de plus amples informations, veuillez consulter la section « Entretien et réparation ».

Moteur

S'il n'y a aucun code d'anomalie actif ou passif ou s'il n'y a pas de contact entre le HMI et l'ECU (module de commande du moteur), des messages donnant cette information s'affichent.

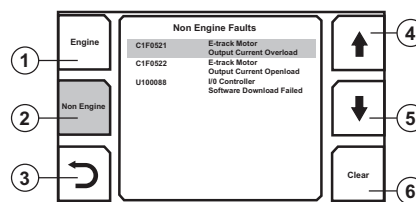


- 1 Codes d'anomalie, moteur *

- 2 Codes d'anomalie, non reliés au moteur
- 3 Bouton de retour (menu précédent)
- 4 Navigation vers le code d'anomalie précédent
- 5 Navigation vers le code d'anomalie suivant
- 6 Permet de choisir parmi les codes d'anomalie actif et passif du moteur.

* Veuillez vous référer au manuel d'utilisation du moteur pour de plus amples informations.

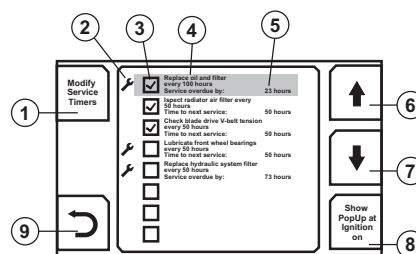
Non relié au moteur



- 1 Codes d'anomalie, moteur
- 2 Codes d'anomalie, non reliés au moteur
- 3 Bouton de retour (menu précédent)
- 4 Navigation vers le code d'anomalie précédent
- 5 Navigation vers le code d'anomalie suivant
- 6 Suppression du code d'anomalie rectifié

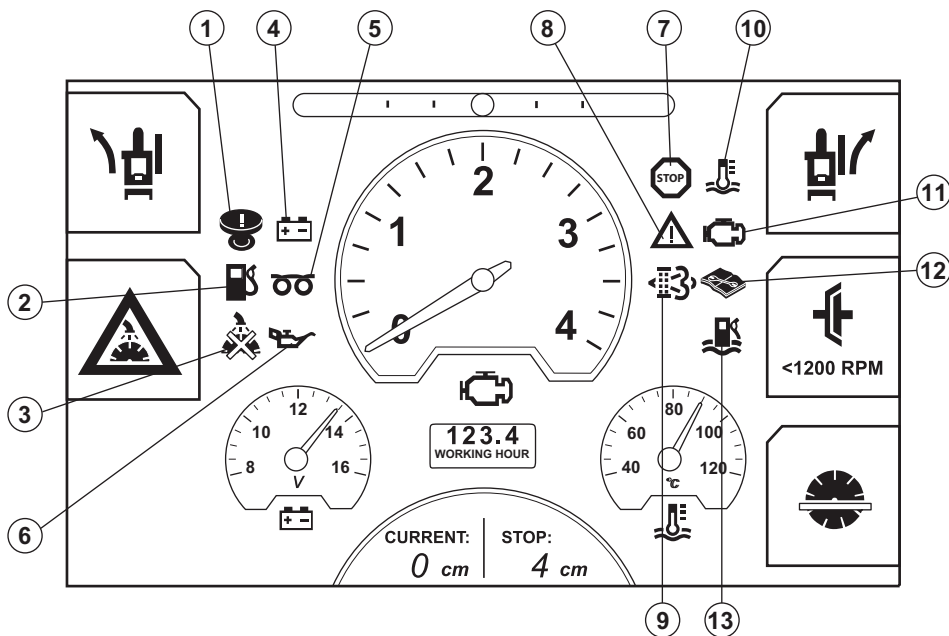
Menu Service Timer (Minuterie d'entretien)

Réglages et renseignements relatifs au calendrier d'entretien.



- 1 Bouton d'accès au mode d'entretien; nécessite un code PIN.
- 2 Indication relative à l'entretien.
- 3 Indication de message contextuel relatif à l'entretien.
- 4 Type d'entretien et fréquence d'entretien.
- 5 Moment où le prochain entretien doit être effectué ou temps écoulé depuis que l'entretien aurait dû être effectué.
- 6 Permet d'accéder au message d'entretien précédent.
- 7 Permet d'accéder au message d'entretien suivant.
- 8 L'activation du message contextuel relatif à l'entretien s'affiche lorsque le contact est mis.
- 9 Bouton de retour (menu précédent)

SYSTÈME DE MENUS



Explication des symboles d'avertissement à l'écran

1 **Machine à l'arrêt** (libère la fonction d'arrêt de la machine, puis effectue un cycle d'allumage pour rétablir la fonctionnalité complète). Désactivé lorsque les trois conditions suivantes sont réunies :

- Le commutateur de démarrage du moteur est désactivé.
- Le régime moteur reçu de l'ECU* est de 0 tr/min pendant une seconde ou plus.
- La vitesse de la lame est de 0 tr/min.

2 **Bas niveau de carburant.**

3 **Aucune pression d'eau de la lame** Le manostat est ouvert (aucune pression d'eau) et la fonction de sécurité de la lame en présence d'eau est sélectionnée.

4 **Aucun chargement** S'active lorsque :

- Le commutateur d'allumage est en position de marche et le moteur ne tourne pas.
- La tension de batterie n'a pas augmenté 15 secondes après le démarrage du moteur.
- La tension de la batterie est inférieure à 12,8 V.
- La tension de la batterie est supérieure à 15 V.

(La tension de la batterie n'est pas contrôlée lorsque la pompe hydraulique est en marche ou 15 secondes après l'arrêt de la pompe, car la tension de la batterie chute lorsque la pompe est en marche.)

5 **Préchauffage** Veuillez vous référer au manuel d'utilisation du moteur pour de plus amples informations.

Deutz: Code d'erreur SO1 **

6 **Basse pression d'huile** Veuillez vous référer au manuel d'utilisation du moteur pour de plus amples informations.

Deutz: Code d'erreur SO1 **

ECU*, moteur ou scie sur pied quelconque : Code d'erreur SPN 100

7 **Arrêt du moteur.** La coupe ne peut continuer. Pour de plus amples informations, veuillez consulter la section « Dépannage ».

8 **Lumière d'avertissement.** Problème ou condition d'importance moyenne relié au moteur. La coupe peut continuer. Pour de plus amples informations, veuillez consulter la section « Dépannage ».

9 **Surchauffe du moteur.** La coupe ne peut continuer. Veuillez vous référer au manuel d'utilisation du moteur pour de plus amples informations.

Deutz: Code d'erreur SO1 **

10 **Témoin d'anomalie du moteur** toujours en combinaison avec les positions 7 et 8. Veuillez vous référer au manuel d'utilisation du moteur pour de plus amples informations.

11 **Codes d'anomalie actifs.** Les codes d'anomalie non reliés au moteur sont actifs. Pour de plus amples informations, veuillez consulter la section « Dépannage ».


12 **Eau dans le carburant**

- Deutz: Code d'erreur WFI Pour de plus amples informations, veuillez consulter la section « Entretien et réparation ».

* Moteur ou module de commande électronique.

** Le HMI ne prend aucune décision de façon autonome. Il affiche seulement les renseignements qui proviennent de l'ECU*.

Généralités



AVERTISSEMENT! La plupart des accidents impliquant des machines se produisent lors de dépannages, de réparations ou de travaux d'entretien, lorsque qu'un membre du personnel doit pénétrer dans la zone de risque de la machine. Prévenez des accidents en étant attentif et en planifiant et préparant le travail.

Si les opérations de maintenance nécessitent que le moteur tourne, soyez conscient des risques que vous courez en travaillant avec ou près de pièces en mouvement.

Effectuez l'entretien et les réparations conformément à ce Manuel d'utilisation pour éviter des mises en arrêt et préserver la valeur de la machine.

Entretenez également les équipements et outils supplémentaires de la machine.

L'utilisateur ne peut effectuer que les travaux d'entretien et de révision décrits dans ce manuel d'utilisation. Les mesures plus importantes doivent être effectuées dans un atelier d'entretien agréé.

Utiliser uniquement des pièces de rechange d'origine pour réparer la machine.

Mesures à prendre en amont en cas d'entretien, de réparation ou de recherche de panne

Généralités

- Assurez-vous que la machine est située dans une zone sûre.
- Stationnez toujours la machine sur une surface plane, coupez le moteur et réglez le commutateur de démarrage du moteur à la position STOP (arrêt) avant le démarrage. Appuyez sur le bouton d'arrêt de la machine situé sur le panneau de commande.
- Plusieurs composants chauffent pendant le travail avec la machine. Ne commencez aucune opération de réparation ou d'entretien avant que la machine n'ait refroidi.
- Placez une signalisation claire pour informer les personnes se trouvant à proximité que des travaux de maintenance sont en cours.
- S'assurer que l'éclairage de la zone de travail est suffisant pour que l'environnement de travail soit de toute sécurité.
- Localisez les extincteurs, le matériel médical et le téléphone de secours.
- Retirez la lame de coupe avant de procéder à l'entretien, à la réparation ou au dépannage.


Équipement de protection

- Utiliser les équipements de protection personnelle. Voir au chapitre "Équipement de protection personnelle".

Environnement de travail

- Il ne doit pas y avoir de poussière dans la zone autour de la machine, afin d'éviter les risques de dérapage.

Nettoyage



REMARQUE ! Lors du nettoyage de la machine, vous risquez de recevoir par exemple de la poussière ou des substances nocives dans les yeux.

De la poussière et des substances nocives peuvent émaner de la machine en cas d'utilisation d'équipement à haute pression.

De l'eau ou de l'air envoyé par jet à haute pression peut rentrer sous la peau et causer des blessures très graves. N'orientez jamais un jet à haute pression vers la peau.

Après chaque utilisation, nettoyez la machine lorsqu'elle a refroidi.

Méthode de nettoyage

La méthode de nettoyage varie en fonction du type de contaminant et du degré de saleté de la machine. Il est possible d'utiliser un dégraissant doux. Évitez tout contact avec la peau. Utilisez des nettoyeurs à haute pression pour nettoyer la machine.

Nettoyage des composants

De nombreux composants doivent faire l'objet d'une attention particulière lors du nettoyage.

ATTENTION ! N'utilisez pas des nettoyeurs à haute pression pour nettoyer le panneau de commande. Assurez-vous que le couvercle de la boîte à relais et à fusibles est en place avant le lavage.

Radiateur

Laissez le refroidisseur refroidir avant de procéder au nettoyage. Nettoyez les ailettes d'air avec de l'air comprimé. Si nécessaire, utilisez le nettoyage à haute pression et un dégraissant. Une mauvaise utilisation du nettoyeur à haute pression ou de l'air comprimé peut endommager les ailettes du refroidisseur et donc altérer sa capacité de refroidissement.

- Pulvérisez directement vers le radiateur, parallèlement aux ailettes.
- Laissez une distance d'au moins 40 cm entre le refroidisseur et la buse.

Panneau de commande

- Nettoyez les composants électriques à l'aide d'un chiffon ou de l'air comprimé. Ne pulvérisez pas d'eau sur les composants électriques. Essayez le panneau de commande avec un chiffon humide.

Moteur

- Gardez une distance d'au moins 40 cm entre la buse et le moteur et ses composants. Ne pulvérisez pas excessivement sur le moteur pour éviter d'endommager les composants électriques, tels que les fiches électriques et l'alternateur. Ne pulvérisez pas d'eau directement dans le tuyau d'échappement ou dans le filtre à air du moteur.

Après le nettoyage

- Lubrifiez tous les points de lubrification de la machine.
- Séchez les terminaux électriques avec de l'air comprimé.
- Laissez sécher entièrement la machine avant le démarrage.
- Soyez attentif lors du démarrage de la machine après le nettoyage. Si des composants ont été endommagés en raison de l'humidité, les mouvements de la machine peuvent être défectueux.

ENTRETIEN ET RÉPARATION

Programme d'entretien

Le programme d'entretien se base sur la durée de fonctionnement de la machine. Il peut être nécessaire d'entretenir la machine plus fréquemment en cas d'utilisation dans des milieux poussiéreux ou chauds, et d'autant plus si le travail génère des températures élevées. Une description du déroulement des opérations est donnée dans le contrôle de service.

Pour connaître certaines exigences d'entretien, consultez les intervalles d'entretien dans le calendrier d'entretien ci-dessous et prenez note du prochain entretien. La machine effectuera un suivi des heures de fonctionnement, ce qui apparaîtra à l'écran.

- Stationnez toujours la machine sur une surface plane, coupez le moteur et réglez le commutateur de démarrage du moteur à la position STOP (arrêt) avant d'effectuer des travaux d'entretien. Appuyez sur le bouton d'arrêt de la machine situé sur le panneau de commande.

Veillez lire attentivement le manuel d'utilisation du moteur de votre machine et vous assurer de bien comprendre les instructions avant d'utiliser la machine. Le manuel d'utilisation du moteur contient certains intervalles d'entretien.

Dans le cas où les mêmes opérations d'entretien sont recommandées dans le manuel d'utilisation de cette machine et dans le manuel d'utilisation du moteur, suivez les intervalles d'entretien recommandés dans le présent manuel.

Entretien Quotidien

Un entretien quotidien doit être effectué après un transport.

	Chaque jour	50 h	100 h	250 h	500 h	Annuel
Vérifiez le niveau du liquide de refroidissement du radiateur.	X					
Vérifiez le niveau d'huile du moteur	X					
Vérifiez si le protège-lame est endommagé.	X					
Vérifiez si les flexibles et les colliers de serrage sont endommagés ou desserrés. Serrez les pièces ou remplacez-les au besoin.	X					
Vérifiez l'indicateur de colmatage du filtre à air. Nettoyez le filtre à air extérieur si l'indicateur est rouge.	X					
S'assurer que toutes les protections de sécurité sont en place et en bon état.	X					
Vidangez l'eau de refroidissement de la boîte d'engrenages pour prévenir la rouille ou les dommages dus au gel.	X					
Vérifiez la pulvérisation d'eau sur la lame de diamant.	X					
Vidangez le filtre séparateur d'eau et de carburant.	X					
Lubrifiez l'axe d'articulation du cylindre hydraulique.	X					
Remplacez l'huile moteur et le filtre*.		X				
Vérifiez et nettoyez le filtre à air du radiateur ou remplacez-le au besoin.		X				
Vérifiez la tension de la courroie trapézoïdale d'entraînement de la lame (après 2 heures d'utilisation). Tendez-la uniformément des deux côtés. Évitez toute tension excessive.		X				
Lubrifiez les roues avant.		X				
Remplacez le filtre du circuit hydraulique*.		X				
Remplacez l'huile moteur et le filtre*.			X			
Lubrifiez les crapaudines de l'essieu avant.			X			
Vérifiez si les roues sont usées ou endommagées.			X			
Vérifiez si les moyeux et les roues arrière sont desserrés.			X			
Vérifiez le flexible du filtre à air du moteur et les colliers de serrage.			X			
Vérifiez le niveau de liquide du circuit hydraulique.			X			
Remplacez le filtre du circuit hydraulique*.				X		
Lubrifiez l'arbre de lame (deux pompes à chaque extrémité).				X		
Lubrifiez le coussinet d'essieu arrière.				X		
Remplacez le liquide de la boîte d'engrenages du moteur.					X	
Remplacez le liquide du circuit hydraulique.					X	
Remplacez le filtre à carburant du moteur (de type à visser)					X	
Rincez et nettoyez le radiateur et le circuit de refroidissement.					X	
Remplacez le filtre à air extérieur et intérieur.						X
Vérifiez la protection contre le gel du liquide de refroidissement.						X

* Une fois à 50 heures, puis toutes les 100 heures

** Une fois à 50 heures, puis toutes les 250 heures

ENTRETIEN ET RÉPARATION

Entretien Quotidien



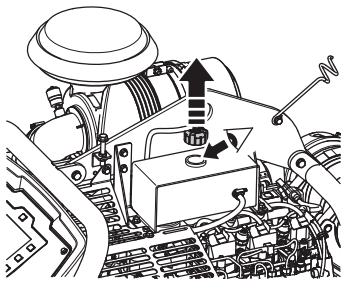
AVERTISSEMENT! Tout contrôle et/ou entretien doit être effectué avec le moteur à l'arrêt.

Vérifiez le niveau du liquide de refroidissement du radiateur.



AVERTISSEMENT! Laissez le moteur refroidir avant d'ouvrir le couvercle du liquide de refroidissement du radiateur.

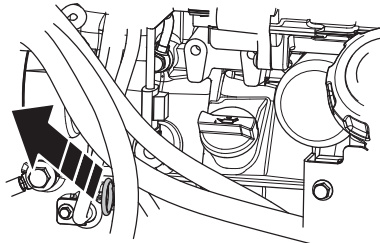
- Retirez le couvercle et vérifiez si le niveau atteint le début du tube à l'intérieur. Ajoutez du liquide de refroidissement au besoin.



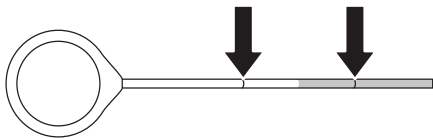
Vérifiez le niveau d'huile du moteur

Vérifiez le niveau d'huile moteur sans la lame et placez la scie en position horizontale pour un niveau plat de la scie

- Sur le côté gauche de la scie, vérifiez le niveau de l'huile moteur.

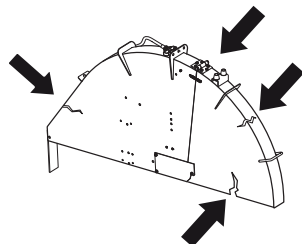


- Assurez-vous que le niveau se situe entre les repères.



Vérifiez si le protège-lame est endommagé.

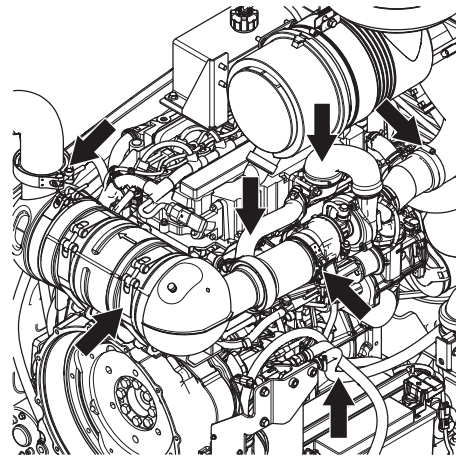
- Vérifiez si le protège-lame présente des fissures.



- N'utilisez jamais un protège-lame brisé ou endommagé.

Vérifiez si les flexibles et les colliers de serrage sont endommagés ou desserrés.

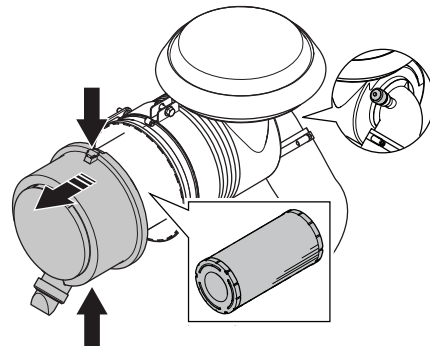
L'illustration montre seulement certains flexibles et colliers de serrage.



- Recherchez la présence de fuites sur les circuits d'alimentation, de refroidissement et hydraulique. Serrez les pièces ou remplacez-les au besoin.

Vérifiez l'indicateur de colmatage du filtre à air.

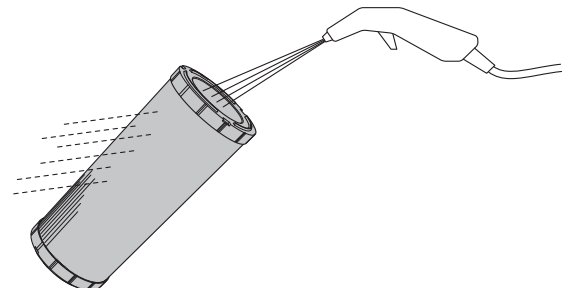
- Vérifiez et nettoyez le filtre à air extérieur si l'indicateur de colmatage du filtre à air est de couleur rouge. Retirez le couvercle arrière en ouvrant les trois colliers de serrage du boîtier de filtre à air et en retirant le boîtier.



- Nettoyez le filtre en soufflant sur l'élément de l'intérieur à l'extérieur.

Utilisez la pression d'air la plus basse pour enlever la poussière sans endommager l'élément.

Utilisez de l'air comprimé de 42 à 47 PSI (0,29 à 0,49 MPa; 3,0 à 5,0 kgf/cm²) pour enlever les particules.



ENTRETIEN ET RÉPARATION

- Remplacez les filtres endommagés ou les joints d'étanchéité, puis vérifiez si le tuyau d'air et les colliers de serrage sont endommagés ou desserrés. Serrez les pièces ou remplacez-les au besoin.

ATTENTION ! Il n'est pas nécessaire de nettoyer le filtre intérieur quotidiennement. Les trois colliers de serrage du boîtier de filtre à air ne peuvent pas être fermés à moins que le filtre à air extérieur soit correctement installé.

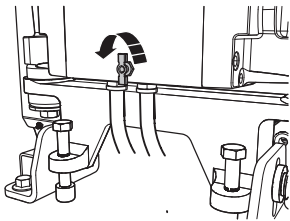
Couvercles de protection

- Assurez-vous que tous les couvercles de protection sont en place et en bon état.

Pour obtenir de plus amples renseignements, consultez la section « Équipement de sécurité de la machine ».

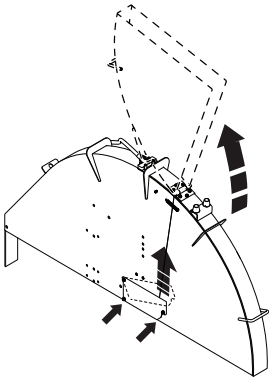
Vidangez l'eau de refroidissement de la boîte d'engrenages pour prévenir la rouille ou les dommages dus au gel.

- Pour vidanger l'eau de la boîte d'engrenages, tournez le robinet de vidange dans le sens inverse des aiguilles d'une montre pour l'ouvrir et dans le sens des aiguilles d'une montre pour le fermer.

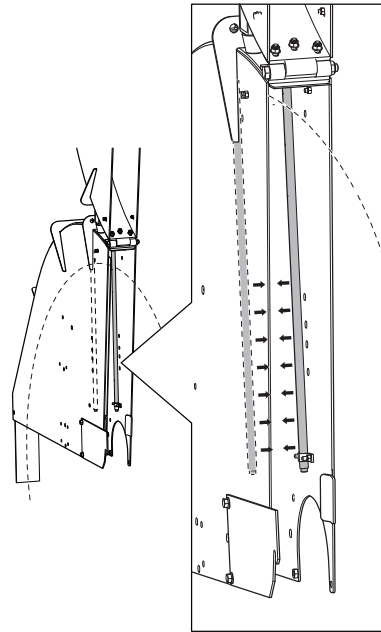


Vérifiez la pulvérisation d'eau sur la lame de diamant.

Relevez la partie avant du protège-lame et utilisez le crochet de sûreté pour la verrouiller en position verticale.

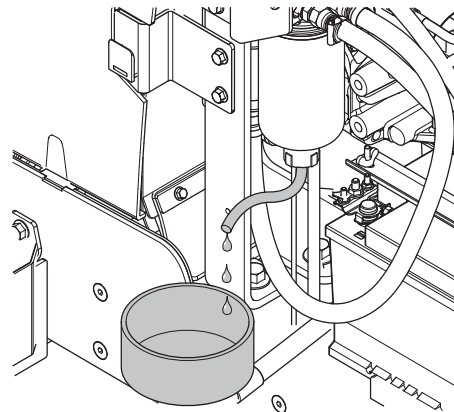


- Ouvrez le robinet de prise d'eau sur le panneau de commande. Assurez-vous que les jets d'eau hors des orifices des tuyaux d'eau sont dirigés directement sur les deux côtés de la lame, sans qu'il n'y ait de fuites. Remplacez le tuyau d'eau s'il est endommagé.



Vidangez le filtre séparateur d'eau et de carburant.

- Vidangez le filtre séparateur d'eau et de carburant à l'aide du flexible au fond. Placez le flexible dans une bouteille ou une canette, desserrez le robinet de vidange, puis vidangez l'eau recueillie à l'intérieur du séparateur.



ATTENTION ! Traitez cette eau comme du carburant et mettez-la au rebut de façon appropriée.

ENTRETIEN ET RÉPARATION

Après les 50 premières heures

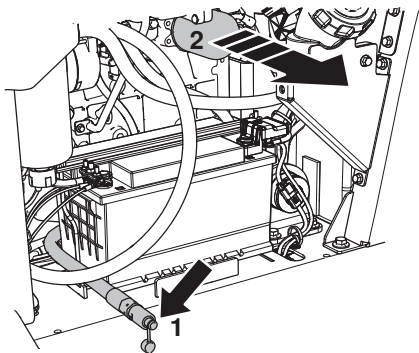
Remplacez l'huile moteur et le filtre.

- Retirez le capuchon supérieur du flexible. Ouvrez la soupape et pliez-la vers le bas pour vider le circuit.

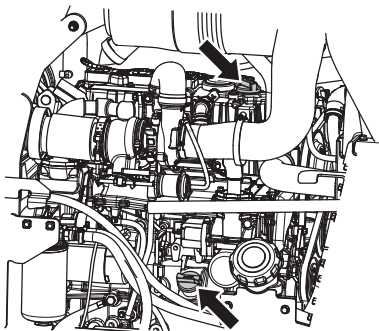
Retirez le filtre et remplacez-le.

Remplissez le nouveau filtre avec de l'huile et lubrifiez le joint avec quelques gouttes d'huile avant de le réinstaller.

ATTENTION ! Protégez la batterie contre le déversement d'huile avant de la retirer et de la réinstaller.



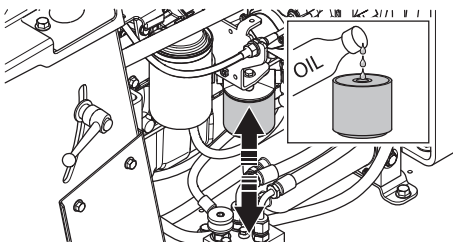
- Remplissez le circuit à un des deux emplacements sur le moteur.



- Vérifiez le niveau de l'huile moteur. Consultez les instructions sous la rubrique « Entretien quotidien ».

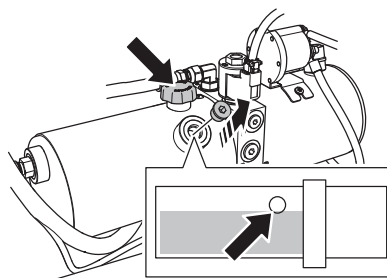
Remplacez le filtre du circuit hydraulique.

- Retirez le filtre du circuit hydraulique. Remplissez le nouveau filtre avec de l'huile et lubrifiez le joint avec quelques gouttes d'huile avant de le réinstaller.



- Remplissez le réservoir d'huile neuve.

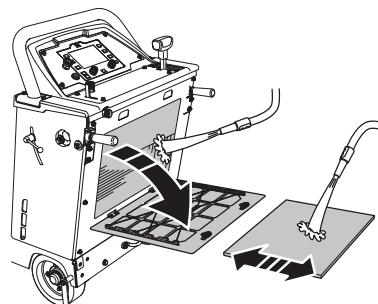
Assurez-vous que la machine est de niveau avant de faire le plein.



ATTENTION ! Ne remplissez pas trop!

50 heures de service

- Vérifiez et nettoyez le filtre à air du radiateur ou remplacez-le au besoin.

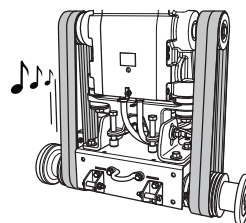


REMARQUE ! Gardez toujours le filtre à air du radiateur en place.

Vérifiez la tension de la courroie trapézoïdale d'entraînement.

Les courroies trapézoïdales sont tensionnées correctement à l'usine, mais après quelques heures d'utilisation, elles se tendent et se desserrent. Des courroies trapézoïdales desserrées réduisent le rendement de la scie et la durée de vie utile de la courroie.

- Vérifiez la tension de la courroie trapézoïdale d'entraînement de la lame en manipulant la courroie comme une corde d'un instrument de musique. La courroie devrait produire une longue vibration acoustique plutôt qu'un son terne.

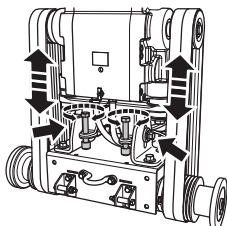


Pour tendre les courroies

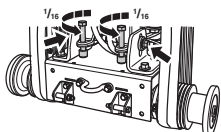
- Ouvrez le couvercle avant. Desserrez les deux boulons de verrouillage horizontaux à l'aide de la clé d'arbre de lame, puis relevez la boîte d'engrenages et le moteur à l'aide des boulons de tendeur de courroie. Tournez les deux boulons dans le sens inverse des aiguilles d'une montre jusqu'à ce que les courroies trapézoïdales soient

ENTRETIEN ET RÉPARATION

serrées, puis vérifiez la courroie en manipulant de nouveau la courroie comme une corde d'un instrument de musique.



- Serrez de nouveau les deux boulons horizontaux.
- Desserrez les boulons de tendeur de courroie dans le sens inverse des aiguilles d'une montre de 1/16 de tour environ.



REMARQUE ! Assurez-vous de tendre les deux côtés uniformément, sans une tension excessive.

Remplacez en bloc seulement les courroies trapézoïdales. Retendez toujours les nouvelles courroies après les 2 à 4 premières heures d'utilisation.

Lubrifiez les roues avant.

Consultez les instructions sous la rubrique « Lubrification ».

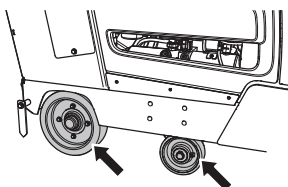
Entretien à 100 heures d'utilisation

Remplacez l'huile moteur et le filtre.

Consultez les instructions sous la rubrique « Après les 50 premières heures ».

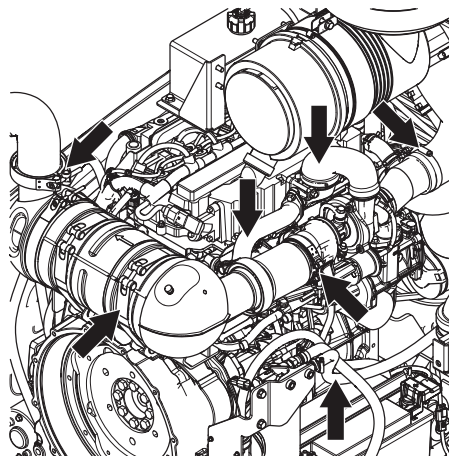
Vérifiez si les roues sont usées ou endommagées.

Vérifiez si les moyeux et les roues arrière sont desserrés.



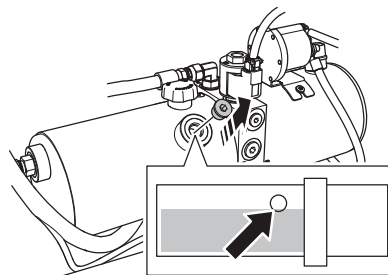
Vérifiez le flexible du filtre à air du moteur et les colliers de serrage.

L'illustration montre seulement certains flexibles et colliers de serrage.



Vérifiez le niveau de liquide du circuit hydraulique.

- Retirez le bouchon dans l'ouverture de vérification du réservoir hydraulique. Le niveau doit se situer au bord inférieur de l'ouverture du réservoir hydraulique; remplissez au besoin.



ATTENTION ! Ne remplissez pas trop!

Lubrifiez les crapaudines de l'essieu avant.

Consultez les instructions sous la rubrique « Lubrification ».

250 heures de service

Remplacez le filtre du circuit hydraulique.

Consultez les instructions sous la rubrique « Après les 50 premières heures ».

Lubrifiez l'arbre de lame (deux pompes à chaque extrémité).

Consultez les instructions sous la rubrique « Lubrification ».

Lubrifiez l'axe d'articulation du cylindre hydraulique.

Consultez les instructions sous la rubrique « Lubrification ».

Lubrifiez le coussinet d'essieu arrière.

Consultez les instructions sous la rubrique « Lubrification ».

ENTRETIEN ET RÉPARATION

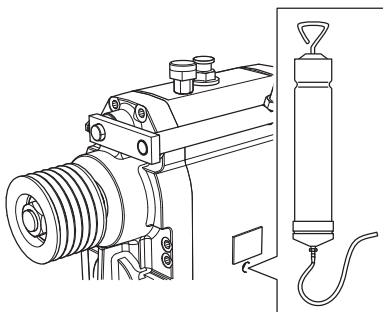
500 heures de service

Remplacez le liquide de la boîte d'engrenages du moteur.

Sélectionnez une des options suivantes pour vidanger le liquide de la boîte d'engrenages :

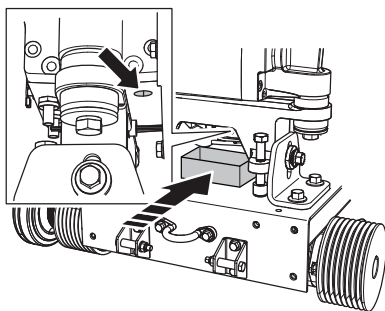
Option 1

- Ouvrez la fenêtre en enlevant le bouchon et retirez l'huile à l'aide d'un extracteur d'huile.

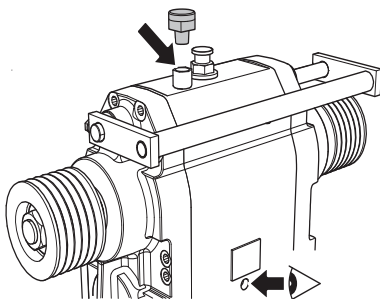


Option 2

- Glissez une cuve sous le carter d'embrayage du moteur. Desserrez la vis et vidangez l'huile. Une fois le circuit vide, serrez la vis.



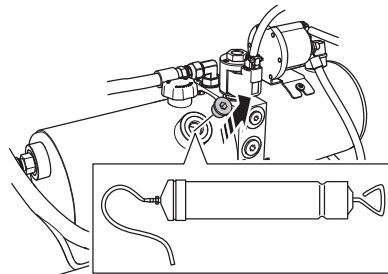
- Remplissez le circuit en retirant la vis gauche et versez l'huile dans le tube. Regardez dans la fenêtre et ajoutez de l'huile jusqu'à ce que le niveau approprié soit atteint.



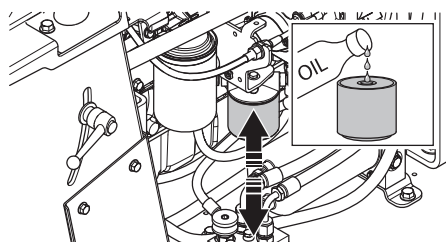
- Réinstallez la vis et suivez les étapes dans l'ordre inverse.

Remplacez le liquide du circuit hydraulique.

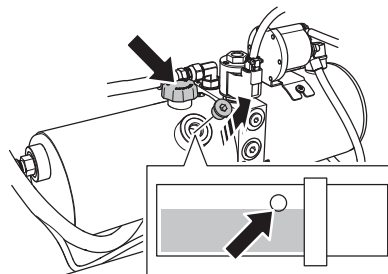
- Retirez le bouchon dans l'ouverture de vérification du réservoir hydraulique et utilisez un extracteur d'huile pour retirer le liquide hors de l'ouverture de vérification.



- Remplacez le filtre du circuit hydraulique. Remplissez le nouveau filtre avec de l'huile et lubrifiez le joint avec quelques gouttes d'huile avant de le réinstaller.



- Remplissez le réservoir d'huile neuve. Assurez-vous que la machine est de niveau avant de faire le plein.



ATTENTION ! Ne remplissez pas trop!

Remplacez le filtre à carburant du moteur (de type à visser)

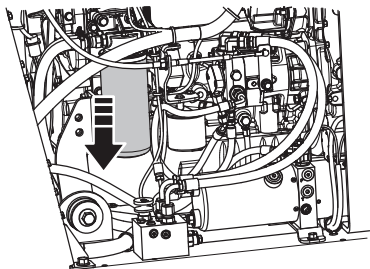
ATTENTION ! L'entretien du filtre à carburant doit être effectué après que la soupape du préfiltre est fermée.

Assurez-vous que la soupape est ouverte avant de démarrer le moteur (consultez le manuel d'utilisation du moteur).

- Retirez le filtre à carburant en le tournant dans le sens inverse des aiguilles d'une montre. Remplacer le filtre à carburant. Faites attention au diesel qui pourrait se

ENTRETIEN ET RÉPARATION

déverser. Remplissez le nouveau filtre avec du carburant diesel et lubrifiez le joint avec quelques gouttes de carburant diesel avant de le réinstaller.

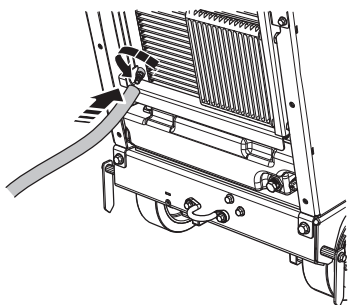


Rincez et nettoyez le radiateur et le circuit de refroidissement.



REMARQUE ! Laissez le moteur refroidir avant d'ouvrir le couvercle du liquide de refroidissement du radiateur.

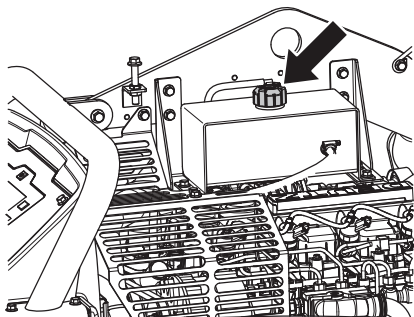
- Retirez le couvercle arrière, placez une rallonge sur la soupape et ouvrez la soupape. Retirez le couvercle sur le dessus et videz le circuit.



- Fermez la soupape et ajoutez du liquide de refroidissement du radiateur.

Pour de plus amples informations, consultez la rubrique « Caractéristiques techniques ».

Remplissez le réservoir jusqu'à ce que le niveau du liquide de refroidissement se situe entre les deux repères de la bouteille de trop-plein de liquide de refroidissement du radiateur lorsque le moteur a refroidi.

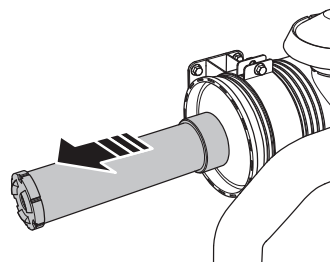
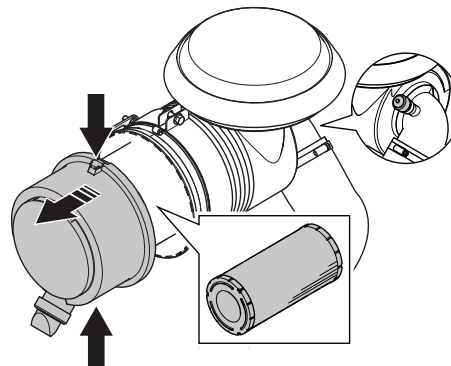


Le niveau du liquide de refroidissement doit atteindre le début du tube à l'intérieur.

Maintenance annuelle

Remplacez le filtre à air extérieur et intérieur.

Retirez le couvercle arrière en ouvrant les trois colliers de serrage du boîtier de filtre à air et en retirant le boîtier. Remplacez les deux filtres et réinstallez-les dans l'ordre inverse.



REMARQUE ! Les trois colliers de serrage du boîtier de filtre à air ne peuvent pas être fermés à moins que le filtre à air extérieur soit correctement installé.

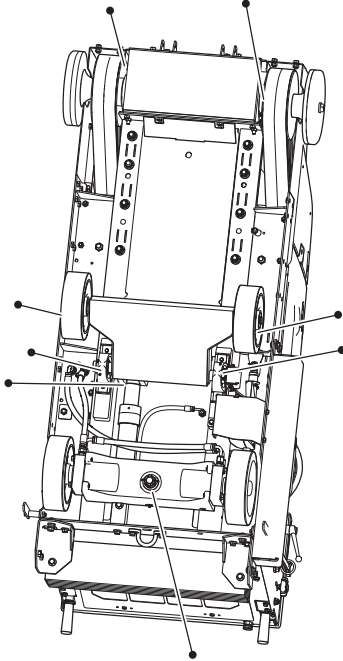
Vérifiez la protection contre le gel du liquide de refroidissement.

Maintenez un mélange à parts égales de glycol et d'eau. Pour de plus amples informations, consultez la rubrique « Caractéristiques techniques ».

Graissage

L'illustration montre tous les points de lubrification (huit raccords de graissage). Nettoyez le graisseur. Remplacez les graisseurs cassés ou bloqués.

- Lubrifiez les roues avant.
- Lubrifiez les crapaudines de l'essieu avant.
- Lubrifiez l'arbre de lame. Deux pompes à chaque extrémité.
- Lubrifiez l'axe d'articulation du cylindre hydraulique.
- Lubrifiez le coussinet d'essieu arrière.



RECHERCHE DE PANNES

Incidents durant le sciage

REMARQUE ! Si le moteur ou la lame s'arrête pour une raison quelconque, relevez complètement la lame de la coupure. Réglez le commutateur de démarrage du moteur à la position STOP (arrêt). Appuyez sur le bouton d'arrêt de la machine situé sur le panneau de commande. Inspectez à fond la machine avant de redémarrer le moteur.

- Confiez toutes les réparations à votre concessionnaire autorisé seulement.

Problème	Message à l'écran	Cause	Action possible
Le moteur s'arrête pendant le sciage	Symbole d'avertissement*	Moteur à court de carburant.	Faites l'appoint en carburant
	Aucune pression d'eau de la lame	Le manque d'eau est signalé au commutateur de sécurité d'eau pour arrêter le moteur	Désengagez le commutateur de sécurité d'eau et vérifiez l'alimentation en eau, puis redémarrez le moteur.
	Symbole d'avertissement*		
	Bouton d'arrêt de la machine enfoncé : Restaurez la fonction d'arrêt de la machine et effectuez un cycle d'allumage.	Le bouton d'arrêt de la machine moteur a été pressé	Réinitialisez la fonction d'arrêt de la machine en tirant le bouton vers l'extérieur.
	Symbole d'avertissement*		
		Le moteur peut caler en cas de coupe trop rapide	Écoutez le bruit du moteur. Si le moteur commence à ralentir, compensez cette situation en tirant le levier de commande de vitesse vers l'arrière pour diminuer l'alimentation et prévenir le calage de la lame.
La lame de diamant s'arrête en cours de sciage		Le fusible du disjoncteur est grillé	Inspectez et remplacez les fusibles
		La tension de la courroie d'entraînement n'est pas adaptée	Contrôler la tension de la courroie d'entraînement.
		L'embrayage de la lame est désengagé (selon l'équipement). Une panne électrique ou un fusible grillé touche l'embrayage de la lame (selon l'équipement).	Engagez l'embrayage de lame (selon l'équipement) pour activer l'entraînement de lame. Seulement à une vitesse de rotation égale ou inférieure à 1 200 tr/min. Inspectez et remplacez les fusibles
La scie s'abaisse trop vite		La soupape qui contrôle l'abaissement de la scie est trop ouverte.	La vitesse d'abaissement de la scie peut être réglée au moyen du bouton de commande de vitesse d'abaissement de la scie dans le panneau de commande. Si la scie s'abaisse trop rapidement, tournez le bouton dans le sens des aiguilles d'une montre jusqu'à ce que la vitesse d'abaissement soit satisfaisante.
La lame coupe trop lentement.		La lame est émoussée, ou la pression d'alimentation est trop élevée	Réduisez la profondeur de coupe et la vitesse de rotation du moteur pendant un court moment.
Le module de commande est réinitialisé au cours du démarrage		La tension de la batterie est trop basse	Chargez la batterie, changez la batterie ou utilisez de câbles de démarrage

* Pour obtenir de plus amples renseignements sur les symboles d'avertissement, consultez la section « Système de menus ».

RECHERCHE DE PANNES

Messages d'erreur

Code d'erreur	Message à l'écran	Description pour le consommateur	Indication sur la machine	Action possible
U100087	Contrôleur d'E-S	Absence de communication CAN	Impossible de démarrer le moteur. Impossible de contrôler les fonctionnalités de la machine.	Vérifiez si les connecteurs X1, X4, X14 et le faisceau du châssis sont endommagés. Si c'est le cas, réparez et redémarrez le système, réinitialisez le code d'anomalie. Si le problème persiste, communiquez avec votre intermédiaire de service pour en savoir plus.
U100088	Contrôleur d'E-S	Échec du téléchargement du logiciel		Contactez votre atelier spécialisé.
P060745	IOC MPU	Échec de la mémoire du programme		Contacter l'atelier spécialisé local pour de plus amples informations.
P060742	IOC MPU	Échec de la mémoire générale		
C1F0612	Signal relatif au lancement du moteur	Circuit mis sur batterie	Impossible de démarrer le moteur.	Vérifiez si la clé de contact, les connecteurs X30 et X32 de la clé de contact ou le faisceau sont endommagés. Si c'est le cas, réparez et redémarrez le système, réinitialisez le code d'anomalie.
C1E0111	Signal capteur de la profondeur de la lame	Circuit mis à la terre	Impossible d'afficher la profondeur de la lame. Impossible d'utiliser la fonction d'arrêt de la profondeur de la lame.	Déconnectez le capteur et réinitialisez le code d'anomalie. Si le code d'anomalie n'existe plus, vérifiez le capteur et le faisceau du capteur.
C1E0112	Signal capteur de la profondeur de la lame	Circuit mis sur batterie		Contactez l'atelier spécialisé local pour de plus amples informations.
C1D0115	Démarrreur	Circuit mis sur batterie ou ouvert	Impossible de contrôler le démarreur du moteur. La coupe ne peut continuer.	Vérifiez si les connecteurs et faisceaux X14 et X1 sont endommagés. Si c'est le cas, réparez et redémarrez le système, réinitialisez le code d'anomalie.
C1D0111	Démarrreur	Circuit mis à la terre	Impossible de démarrer le moteur.	Si le problème persiste, communiquez avec votre intermédiaire de service pour en savoir plus.
C1D0711	Appareil d'alimentation externe	Circuit mis à la terre	La coupe ne peut continuer.	Vérifiez les câbles au niveau des éléments suivants : Capteur de profondeur de la lame et capteur lui-même Capteur de position du système de suivi électronique et capteur lui-même Commutateur de démarrage au point mort et commutateur lui-même Commutateur de relevage et d'abaissement et commutateur lui-même Commutateur du système de sécurité à eau et commutateur lui-même
C1D0712	Appareil d'alimentation externe	Circuit mis sur batterie	Il se peut qu'il soit impossible de lire les valeurs du capteur.	
C1D0815	AUX1	Circuit mis sur batterie ou ouvert	L'AUX1 ne peut pas être contrôlé par le HMI.	Vérifiez le relais K4 dans la boîte à relais et à fusibles. Vérifiez si le connecteur X14, le faisceau et le connecteur de la boîte à relais et à fusibles sont endommagés. Si c'est le cas, réparez et redémarrez le système, réinitialisez le code d'anomalie.
C1D0811	AUX1	Circuit mis à la terre		Si le problème persiste, communiquez avec votre intermédiaire de service pour en savoir plus.

RECHERCHE DE PANNES

C1D0215	AUX2	Circuit mis sur batterie ou ouvert	L'AUX2 (5e roue) ne peut pas être contrôlé par le HMI.	Vérifiez le relais K5 dans la boîte à relais et à fusibles.
				Vérifiez si le connecteur X14, le faisceau et le connecteur de la boîte à relais et à fusibles sont endommagés. Si c'est le cas, réparez et redémarrez le système, réinitialisez le code d'anomalie.
C1D0211	AUX2	Circuit mis à la terre		Si le problème persiste, communiquez avec votre intermédiaire de service pour en savoir plus.
C1D0315	Embrayage de la lame	Circuit mis sur batterie ou ouvert	L'embrayage de la lame ne peut pas être contrôlé par le HMI. Il se peut que la lame soit en permanence engagée ou désengagée.	Vérifiez le relais K7 dans la boîte à relais et à fusibles.
				Vérifiez si le connecteur X14, le faisceau et le connecteur de la boîte à relais et à fusibles sont endommagés. Si c'est le cas, réparez et redémarrez le système, réinitialisez le code d'anomalie.
C1D0311	Embrayage de la lame	Circuit mis à la terre		Si le problème persiste, communiquez avec votre intermédiaire de service pour en savoir plus.
C1D0615	Pompe à eau	Circuit mis sur batterie ou ouvert	La pompe à eau ne peut pas être contrôlée par le HMI. Il se peut qu'il soit impossible de la mettre sous tension.	Vérifiez le relais K2 dans la boîte à relais et à fusibles.
				Vérifiez si le connecteur X14, le faisceau et le connecteur de la boîte à relais et à fusibles sont endommagés. Si c'est le cas, réparez et redémarrez le système, réinitialisez le code d'anomalie.
C1D0611	Pompe à eau	Circuit mis à la terre	La pompe à eau ne peut pas être mise sous tension.	Si le problème persiste, communiquez avec votre intermédiaire de service pour en savoir plus.
C1D0915	Lampe de travail	Circuit mis sur batterie ou ouvert	La lampe de travail ne peut pas être contrôlée par le HMI. Il se peut qu'il soit impossible de la mettre sous tension.	Vérifiez le relais de la lampe de travail K3 dans la boîte à relais et à fusibles.
				Vérifiez si le connecteur X14, le faisceau et le connecteur de la boîte à relais et à fusibles sont endommagés. Si c'est le cas, réparez et redémarrez le système, réinitialisez le code d'anomalie.
C1D0911	Lampe de travail	Circuit mis à la terre		Si le problème persiste, communiquez avec votre intermédiaire de service pour en savoir plus.
C1D0C15	Allumage	Circuit mis sur batterie ou ouvert	Impossible de démarrer le moteur.	Yanmar:
				Vérifiez le relais K8 dans la boîte à relais et à fusibles.
				Vérifiez si le connecteur X14, le faisceau et le connecteur de la boîte à relais et à fusibles sont endommagés. Si c'est le cas, réparez et redémarrez le système, réinitialisez le code d'anomalie.
				Vérifiez également les connecteurs d'arrêt de la machine (X33) et X30.
				Si le problème persiste, communiquez avec votre intermédiaire de service pour en savoir plus.
				Deutz:
C1D0C11	Allumage	Circuit mis à la terre		Vérifiez si les connecteurs et faisceaux X14 et X1 sont endommagés. Si c'est le cas, réparez et redémarrez le système, réinitialisez le code d'anomalie.
				Si le problème persiste, communiquez avec votre intermédiaire de service pour en savoir plus.
C1D0D15	Pompe aspiratrice hydraulique	Circuit mis sur batterie ou ouvert	Impossible d'utiliser la pompe aspiratrice hydraulique pour élever la lame.	Vérifiez le relais K6 dans la boîte à relais et à fusibles.
				Vérifiez si le connecteur X14, le faisceau et le connecteur de la boîte à relais et à fusibles sont endommagés. Si c'est le cas, réparez et redémarrez le système, réinitialisez le code d'anomalie.
C1D0D11	Pompe aspiratrice hydraulique	Circuit mis à la terre	Impossible d'utiliser la pompe aspiratrice hydraulique pour élever la lame.	Si le problème persiste, communiquez avec votre intermédiaire de service pour en savoir plus.

RECHERCHE DE PANNES

C1D0E15	Soupape hydraulique d'abaissement	Circuit mis sur batterie ou ouvert	Impossible d'utiliser la soupape hydraulique d'abaissement pour abaisser la lame.	Vérifiez que la soupape hydraulique est correctement branchée.
				Vérifiez si le connecteur de l'interface homme-machine (X14), le faisceau ou la soupape hydraulique sont endommagés. Si c'est le cas, réparez et redémarrez le système, réinitialisez le code d'anomalie.
				Si le problème persiste, communiquez avec votre intermédiaire de service pour en savoir plus.
C1D0E11	Soupape hydraulique d'abaissement	Circuit mis à la terre		Vérifiez si le connecteur de l'interface homme-machine (X14), le faisceau ou la soupape hydraulique sont endommagés. Si c'est le cas, réparez et redémarrez le système, réinitialisez le code d'anomalie.
				Si le problème persiste, communiquez avec votre intermédiaire de service pour en savoir plus.
C1E0511	Capteur de position du E-track	Circuit mis à la terre	La coupe peut continuer, mais il est impossible de détecter la position du E-track tant que le défaut n'est pas corrigé.	Vérifiez si l'actionneur, le connecteur et le faisceau du châssis sont endommagés. Si c'est le cas, réparez et redémarrez le système, réinitialisez le code d'anomalie et réétalonnez le système.
C1E0512	Capteur de position du E-track	Circuit mis sur batterie		Si le problème persiste, communiquez avec votre intermédiaire de service pour en savoir plus.
C1F0112	Moteur A du E-track	Circuit mis sur batterie	La coupe peut se poursuivre, mais il est impossible d'utiliser le E-track pour la compensation de la dérive tant que le défaut n'est pas corrigé.	Déconnectez le système de suivi électronique et réinitialisez le code d'anomalie. Appuyez sur les boutons gauche et droit du système de suivi électronique afin d'essayer de contrôler le système de suivi électronique. Si le code d'anomalie réapparaît, vérifiez si l'actionneur, le faisceau et le connecteur du système de suivi électronique sont endommagés. (Les codes d'anomalie C1E0511 et C1E0512 peuvent apparaître à la place puisque le système de suivi électronique n'est pas connecté.)
				Si le code d'anomalie réapparaît, vérifiez si le faisceau et le connecteur du carter sont endommagés. Si c'est le cas, réparez et redémarrez le système, réinitialisez le code d'anomalie.
				Si le problème persiste, communiquez avec votre intermédiaire de service pour en savoir plus.
C1F0111	Moteur A du E-track	Circuit mis à la terre		
C1F0212	Moteur B du E-track	Circuit mis sur batterie		
C1F0211	Moteur B du E-track	Circuit mis à la terre		
C1F0521	Moteur du E-track	Surcharge du courant de sortie	La coupe peut se poursuivre, mais il est impossible d'utiliser le E-track pour la compensation de la dérive tant que le défaut n'est pas corrigé.	Vérifiez si le E-track est bloqué ou brouillé. Si c'est le cas, résolvez le problème et réinitialisez les codes d'anomalie. Réessayez le E-track après 1 minute. Si le code d'anomalie persiste, communiquez avec votre intermédiaire de service pour en savoir plus.
C1F0513	Moteur du E-track	Circuit ouvert	La coupe peut se poursuivre, mais il est impossible d'utiliser le E-track pour la compensation de la dérive tant que le défaut n'est pas corrigé.	Vérifiez le branchement entre le faisceau du système de suivi électronique et celui du carter. Vérifiez le branchement entre l'actionneur du système de suivi électronique et le faisceau du carter. Vérifiez si le faisceau et le système de suivi électronique sont endommagés. Si c'est le cas, réparez et redémarrez le système, réinitialisez le code d'anomalie.
				Si le problème persiste, communiquez avec votre intermédiaire de service pour en savoir plus.
U100187	Module de commande (ECU) du moteur	Absence de communication CAN	La coupe ne peut continuer. Aucune information reçue du module de commande.	Vérifiez si les connecteurs X1, X4, X14 ou le faisceau sont endommagés. Si c'est le cas, réparez et redémarrez le système, réinitialisez le code d'anomalie.
				Si le problème persiste, communiquez avec votre intermédiaire de service pour en savoir plus.

CARACTÉRISTIQUES TECHNIQUES

Batterie

	FS7000 DL
Type de terminal	SAE standard
Tension, V	12
CCA, A	765
Taille maximale (L x l x h), mm/po	316x175x190 / 12-7/16x6-7/8x7-1/2

Liquide hydraulique et lubrifiants

Fluide hydraulique

Qualité	Standard
SAE 15W40	API Class SE
	API Class CC
	API class CD

Lubrifiants

Composant	Modèle	Qualité	Standard	Capacité du réservoir à huile, pte/litres
Huile moteur (uniquement à faible teneur en cendres)	FS7000 DL	SAE 15W40 ou SAE 10W30	API CJ-4	9/8,5
			ACEA E6-08	
			ACEA E9-08	
Huile pour boîte de vitesses	(boîte d'engrenages à trois vitesses)	SAE 75W90		1,87/1,77
	(Boîte de vitesses à une vitesse)			1/0,95
Points de lubrification (plaque du socle)*		NLGI 2	SAE J310	

* Consultez les instructions dans la section « Entretien et réparation ».

Liquide de refroidissement

Éthane-1,2-diol et eau, mélange en parts égales (liquide de refroidissement lors de la livraison)
Propane-1,2-diol et eau, mélange en parts égales



REMARQUE ! Ne mélangez pas le liquide directement dans le réservoir de la machine; il est difficile de déterminer la proportion lorsqu'il s'agit d'un mélange à parts égales. Utilisez un mélange à parts égales pour un refroidissement optimal et une meilleure protection contre la corrosion du moteur.

CARACTÉRISTIQUES TECHNIQUES

Caractéristiques techniques

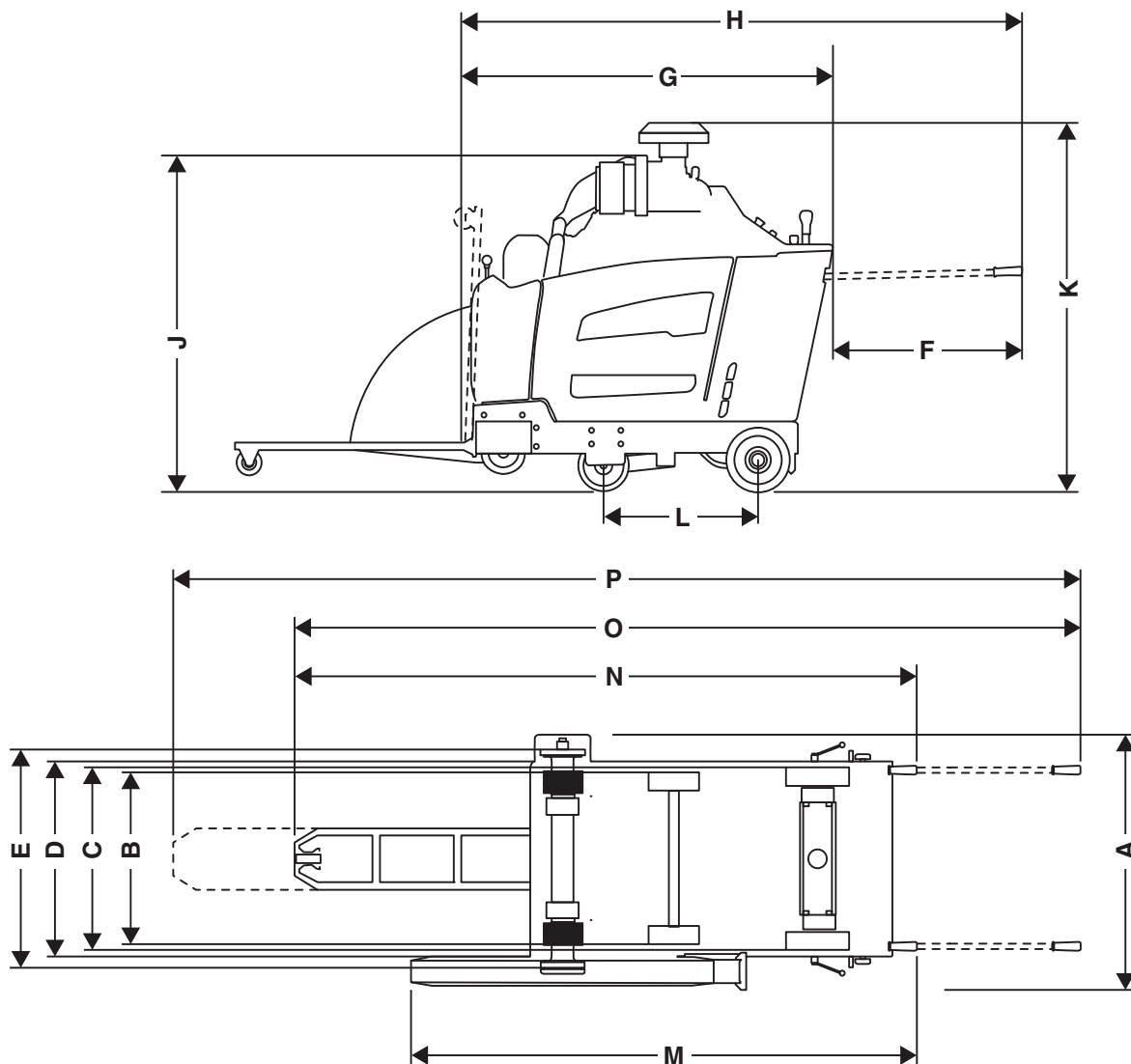
Caractéristiques de la scie	36/900	42/1000	48/1200	65/1500
Capacité du protège-lame, po/mm	36/900	42/1000	48/1200	65/1500
Profondeur de coupe maximale, po/mm	15/374	17,5/411	498/20	25/623
Vitesse de rotation de l'arbre de lame, tours par minute	1354	1150	1015	792
Sortie approximative de l'arbre de lame, HP/kW	68/50			
Taille de l'arbre, po/mm	1/25,4 with 6 screws			
Diamètre du flasque de débranchement rapide de la lame, po/mm	6/152,5	7/178	8/203,2	10/254
Diamètre de l'arbre de lame, po/mm	2 1/2 / 63,5			
Roulements de l'axe de lame	Arbre de lame à boîtier scellé avec deux roulements à billes à contact oblique sans entretien.			
Entraînement de l'arbre de lame	Courroies trapézoïdales en bandes à quatre nervures doubles 3VX de chaque côté (16 nervures au total)			
Liquide de refroidissement de la lame	Tubes plaqués zinc de pulvérisation double d'eau à jets multiples			
Fixation du guide du protège-lame.	Coulissante et bascule automatique		À boulonner	
Commande des lames	La pompe électro-hydraulique lève la lame; relèvement et abaissement contrôlés par commutateur sur la poignée de commande de vitesse; arrêt de profondeur de coupe contrôlé par logiciel et indicateur de profondeur de coupe; système de désengagement de l'entraînement de lame (embrayage); flasques de lame de déconnexion rapide			
Diamètre de l'axe, po/mm	Avant, 25.4/1			
	Arrière, réglage facile du pivot central au moyen de 2 moteurs-roues assistés par hydraulique			
Roues, pouces/mm	Avant, 9x3x1 / 229x76x25, sculptures épaisses en polyuréthane, roulements à billes étanches sans entretien		Avant, 9x3x1 / 229x76x25, sculptures épaisses en polyuréthane, roulements à billes étanches sans entretien	
	Arrière, 10 x 3 x 1.25/254 x 76 x 32, bandage plein, désinstallation rapide			
Transmission	Pompe hydrostatique dotée de 2 moteurs-roues hydrauliques reliés par flexibles, interrupteur de démarrage neutre, commande de réglage de la vitesse unique, soupape de dérivation hydraulique à presser			
Vitesse d'avancement max.	Variable à l'infini : 0 à 76 m/min / 0 à 250 pi/min en marche avant ou arrière. 25 m/min vitesse maximale en marche arrière sur les modèles CE			
Châssis	Machinerie lourde, rigide, construction en caisson et de section en U			
Poids (non emballé), lb/kg	1042/2297	1065/2347	1068/2355	1306/2879
Masse de service maximale, lb/kg	1092/2407	1123/2476	1134/2500	1393/3071

CARACTÉRISTIQUES TECHNIQUES

Dimensions de la scie

FS7000 DL (36" - 48")

A	Largeur, po/mm		39/990	H	Longueur de la scie (pointeur relevé, poignées déployées), po/mm	95 1/8 / 2417
B	Largeur des roues d'axe en axe, po/mm	Avant	23 3/4 / 604	J	Hauteur totale min. (sans tuyau d'échappement, sans bouchon de prédépoussiéreur), po/mm	51 7/8 / 1319
		Arrière	25 3/8 / 646	K	Hauteur totale max. (dessus du prédépoussiéreur), po/mm	1499 / 59
C	Largeur des roues d'extérieur à extérieur, po/mm	Avant	26 3/4 / 680	L	Empattement, po/mm	23 1/2 / 597
		Arrière	28 3/8 / 722	M	Distance de la protection à la poignée (poignées rétractées), po/mm	97 1/16 / 2465
D	Largeur du cadre, po/mm		29 1/2 / 750	N	Longueur totale max. (poignées rétractées), po/mm	110 / 2793
E	Largeur du flasque intérieur au flasque intérieur, po/mm		830 / 32 5/8	O	Longueur totale max. (poignées déployées, pointeur rabaissé), po/mm	137 1/8 / 3483
F	Rallonge de poignée, po/mm		31 7/8 / 809	P	Longueur totale max. (poignées déployées, pointeur déployé), po/mm	156 1/16 / 3963
G	Longueur min. de la scie (sans poignées, point de référence et protection), po/mm		76 7/16 / 1941			

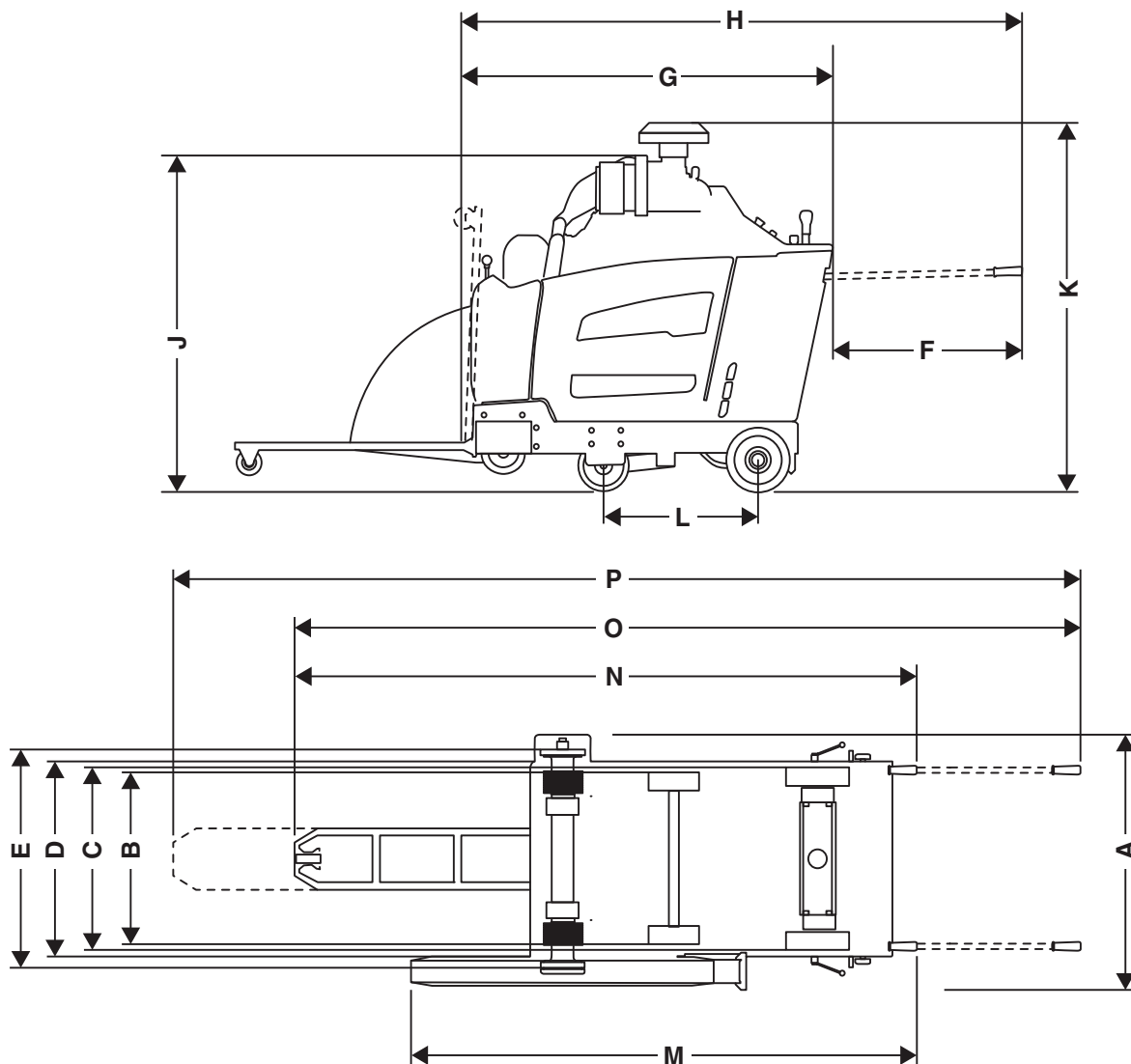


CARACTÉRISTIQUES TECHNIQUES

Dimensions de la scie

FS7000 DL (60")

A	Largeur, po/mm		39 1/2 / 1003	H	Longueur de la scie (pointeur relevé, poignées déployées), po/mm	95 1/8 / 2417
B	Largeur des roues d'axe en axe, po/mm	Avant	23 3/4 / 604	J	Hauteur totale min. (sans tuyau d'échappement, sans bouchon de prédépoussiéreur), po/mm	114 7/8 / 2918
		Arrière	25 3/8 / 646	K	Hauteur totale max. (dessus du prédépoussiéreur), po/mm	1499 / 59
C	Largeur des roues d'extérieur à extérieur, po/mm	Avant	26 3/4 / 680	L	Empattement, po/mm	23 1/2 / 597
		Arrière	28 3/8 / 722	M	Distance de la protection à la poignée (poignées rétractées), po/mm	97 1/16 / 2465
D	Largeur du cadre, po/mm		29 1/2 / 750	N	Longueur totale max. (poignées rétractées), po/mm	117 7/32 / 2977
E	Largeur du flasque intérieur au flasque intérieur, po/mm		32 1/2 / 825	O	Longueur totale max. (poignées déployées, pointeur rabaissé), po/mm	140 19/32 / 3571
F	Rallonge de poignée, po/mm		31 7/8 / 809	P	Longueur totale max. (poignées déployées, pointeur déployé), po/mm	159 1/2 / 4051
G	Longueur min. de la scie (sans poignées, point de référence et protection), po/mm		91 1/2 / 2324			



CARACTÉRISTIQUES TECHNIQUES

Moteur

Spécifications du moteur	Deutz, TD 2.9 L4
Puissance de sortie max. du moteur (voir remarque 1)	74.3hp@2600rpm (55.4kW@2600rpm)
Volume, cu.in. / dm ³	178 / 2,92
Cylinders	4
Course, po/mm	3,6/4,3 / 92/110
Volume du réservoir de carburant, gal/l	10,6 / 40
Filtre à air	Joint radial avec prédépoussiéreur et indicateur de colmatage
Démarrreur	Électrique

Pour obtenir de plus amples renseignements et pour toute question au sujet de ce moteur particulier, consultez le site Web www.deutz.com.

Remarque 1 : Tel que spécifié par le fabricant du moteur. La puissance des moteurs indiquée est la puissance de sortie moyenne nette (aux tours par minute spécifiés) d'un moteur de production type pour le modèle de moteur, mesurée selon la norme ISO3046. Les moteurs de production en série peuvent varier de cette valeur. La puissance de sortie réelle du moteur installé dans la machine finale dépend de la vitesse de fonctionnement, des conditions environnementales et d'autres variables.

Émissions sonores

	FS7000 DL
Émissions sonores (voir remarque 1)	
Niveau de puissance sonore mesuré dB(A)	115
Niveau de puissance sonore garanti L _{WA} dB(A)	119
Niveaux sonores (voir remarque 2)	
Niveau de pression acoustique au niveau des oreilles de l'utilisateur, dB(A)	101
Niveaux de vibrations, a_{nv} (voir remarque 3)	
Poignée droite, m/s ²	<2,5
Poignée gauche, m/s ²	<2,5

Remarque 1 : Émission du bruit dans l'environnement mesurée en tant que puissance acoustique (L_{WA}) conforme à la directive européenne 2000/14/EC. Le niveau de puissance sonore garanti diffère du niveau mesuré en cela qu'il prend également en compte la dispersion et les variations d'une machine à l'autre du même modèle, conformément à la directive 2000/14/CE.

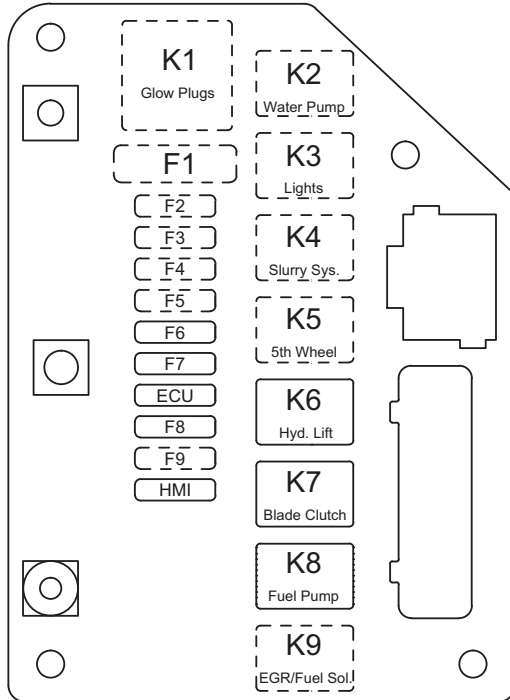
Remarque 2: Niveau de pression sonore conformément à EN 13862. Les données reportées pour le niveau de pression sonore montrent une dispersion statistique typique (déviatoin standard) de 1,0 dB (A).

Remarque 3: Niveau de vibrations conformément à EN 13862. Les données reportées pour le niveau de vibrations montrent une dispersion statistique typique (déviatoin standard) de 1 m/s².

RELAIS ET FUSIBLES

Relais et fusibles – FS7000 DL

Fonctionnement		Désignation	Relais (amp)	Désignation	Fusible (amp)
Bougies de préchauffage		K1	(non utilisé)	F1	(non utilisé)
Pompe à eau	(en option)	K2	25	F2	25
Lampes	(en option)	K3	25	F3	25
Système de bouillie	(en option)	K4	25	F4	25
5e roue	(en option)	K5	25	F5	25
Pompe aspiratrice hydraulique		K6	25	F6	25
Embrayage de la lame		K7	25	F7	15
Pompe à carburant		K8	25	F8	20
Sol. RGE/carburant		K9	(non utilisé)	F9	(non utilisé)
Moteur de démarrage		K10	70	F10	60
ECU		n/a	n/a	ECU	25
Interface homme-machine (HMI)		n/a	n/a	Interface homme-machine (HMI)	25



ACLARACION DE LOS SIMBOLOS

Símbolos en la máquina:

Algunos de los siguientes símbolos se refieren al mercado CE.

¡ATENCIÓN! La máquina, si se utiliza de forma errónea o descuidada, puede ser una herramienta peligrosa que puede causar daños graves e incluso la muerte al usuario y a otras personas.



Lea detenidamente el manual de instrucciones y asegúrese de entender su contenido antes de utilizar la máquina.



Utilice el equipo de protección personal. Vea las instrucciones bajo el título "Equipo de protección personal".



Todo desplazamiento de la máquina fuera del área de corte debe realizarse sin rotación de la herramienta.



Las protecciones siempre deben estar instaladas en la máquina. Nunca permita que el disco se exponga en un ángulo superior a 180°.



Controle el equipo de corte. Nunca utilice un equipo roto, agrietado o dañado.



Los discos de corte deben estar marcados con la misma velocidad que se indica en la placa de características de la máquina, o una velocidad superior. Si el disco de corte funciona a demasiada velocidad, puede romperse o causar graves daños.



No utilice la máquina cerca de sustancias o gases inflamables.



¡ATENCIÓN! Cuando se realizan cortes se acumula polvo, que puede causar lesiones si se inhala. Utilice una máscara respiratoria aprobada. Evite inhalar los gases de escape. Proporcione siempre una buena ventilación.



Superficie caliente.



Riesgos de la maquinaria. Mantenga siempre todas las partes de su cuerpo alejadas del disco y de todas las demás partes móviles.



Precaución, riesgo de corte



Ajuste del suministro de agua



Bajar disco



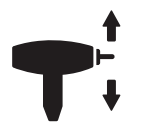
Lento



Rápido



Interruptor para bajar o subir el disco



Encendido activado



Arranque del motor



Detención del motor



Parada de la máquina



Detención de la transmisión



Rango de cambios: seleccione 1, 2, 3 o neutro.



Recarga de combustible. Llenar con combustible diésel. No debe utilizarse gasolina bajo ninguna circunstancia.



Aceite de motor



Varilla de nivel, mantener nivel adecuado de aceite del motor



No levante la sierra cuando verifique el nivel de aceite del motor.



Mantenga la sierra nivelada, sin el disco, cuando verifique el nivel de aceite.



Este producto cumple con la directiva CE vigente. Si la marca está presente en la máquina.



ACLARACION DE LOS SIMBOLOS

Las emisiones sonoras en el entorno según la directiva de la Comunidad Europea. Las emisiones de la máquina se indican en el capítulo Datos técnicos y en la etiqueta.



Utilice siempre la argolla de izada montada en la máquina para levantarla.



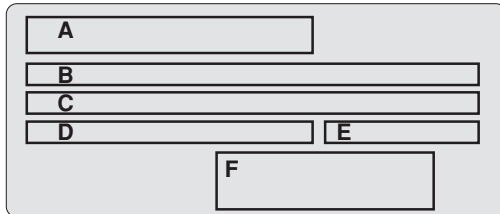
La flecha en el protector de la herramienta indica la dirección de la rotación.



Retire la cuchilla antes de elevar, cargar, descargar o transportar la máquina.



Placa de características



A: Marca

B: N.º de producto

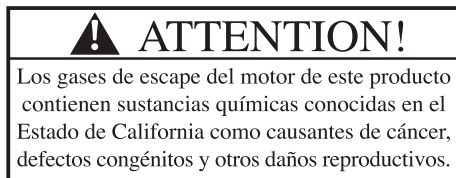
C: Model

D: Número de serie

E: Fecha de fabricación, año, semana

F: Fabricante, dirección

Los demás símbolos/etiquetas que aparecen en la máquina corresponden a requisitos de homologación específicos en determinados mercados.



Explicación de los niveles de advertencia

Las advertencias se clasifican en tres niveles.

¡ATENCIÓN!



¡ATENCIÓN! Indica un riesgo de daños graves para el usuario o incluso muerte, o bien daños al entorno, si no se siguen las instrucciones del manual.

¡NOTA!



¡NOTA! Indica un riesgo de lesiones para el usuario o daños al entorno si no se siguen las instrucciones del manual.

AVISO

AVISO Indica un riesgo de daños en los materiales o en la máquina si no se siguen las instrucciones del manual.

Antes de arrancar, observe lo siguiente:



¡ATENCIÓN! El material que se corta a menudo contiene sílice y, al cortarlo en SECO particularmente, desprende polvo. La sílice es un componente básico de la arena, la arcilla para ladrillos, del cuarzo, del granito, y de varios otros minerales y rocas. La exposición a una cantidad excesiva de polvo de sílice puede causar:

Enfermedades respiratorias (que afectan su habilidad para respirar) como bronquitis crónicas, silicosis y fibrosis pulmonares por exposición a la sílice. Estas enfermedades pueden ser mortales.

Irritación y erupción de la piel.

Cáncer, según el Programa Nacional de Toxicología (NTP) y el Centro Internacional de Investigaciones sobre el Cáncer (IARC).

Tome medidas de precaución:

Evite el contacto de la piel con el polvo, vapor y humo, y su inhalación.

Use, y asegúrese de que quienes lo rodean usen, indumentaria de protección del aparato respiratorio como las mascarillas antipolvo diseñadas para filtrar partículas microscópicas. (Consulte las normas de la OSHA: 29 CFR Parte 1910.1200.)

Corte en húmedo, en la medida de lo posible, para minimizar la cantidad de polvo.

INDICE

Índice

ACLARACION DE LOS SIMBOLOS

Símbolos en la máquina:	106
Explicación de los niveles de advertencia	107
Antes de arrancar, observe lo siguiente:	107

INDICE

Índice	108
--------------	-----

PRESENTACIÓN

Apreciado cliente:	109
Diseño y funciones	109
Sierra plana FS7000 DL	109
¿Cuáles son las partes de la sierra plana FS7000 DL?	111
¿A qué corresponde cada elemento del panel de control?	113

EQUIPO DE SEGURIDAD DE LA MÁQUINA

Generalidades	114
---------------------	-----

DISCOS

Generalidades	116
Hojas de diamante	116
Transporte y almacenamiento	116

MANIPULACION DEL COMBUSTIBLE

Generalidades	117
Carburante	117
Repostaje	117
Transporte y almacenamiento	117

MANEJO DE LA BATERÍA

Generalidades	118
Conexión de la batería	118
Desconexión de la batería	118
Arranque del motor con batería poco cargada	118

FUNCIONAMIENTO

Equipo de protección	119
Instrucciones generales de seguridad	119
Servicio	119
Técnica básica de trabajo	120
Posición del manillar	121
Desplazamiento de la máquina	121
Montaje del disco	122
Detención de profundidad del disco	125
Corte en línea recta	125
Transporte y almacenamiento	126
Almacenamiento prolongado	127
Ajuste de la velocidad del eje/la caja de cambios del disco/motor	127
Accesorios	131

ARRANQUE Y PARADA

Antes del arranque	132
Primer uso	132
Arranque	132
Parada	134

SISTEMA DE MENÚ

Vista general del menú	135
Explicación del sistema de menús	136
Explicación de los símbolos de advertencia en la pantalla	138

MANTENIMIENTO Y REPARACIÓN

Generalidades	139
Medidas previas al mantenimiento, la reparación y la localización de fallos	139
Limpieza	139
Programa de mantenimiento	141
LOCALIZACIÓN Y CORRECCIÓN DE AVERÍAS	
Incidentes durante las operaciones de corte	149
Mensajes de fallo	150
DATOS TECNICOS	
Batería	153
Fluido hidráulico y lubricantes	153
Datos técnicos	154
Emisiones de ruido	157
RELÉS Y FUSIBLES	
Relés y fusibles: FS7000 DL	158

Apreciado cliente:

Gracias por elegir un producto Husqvarna.

Esperamos que su máquina le proporcione plena satisfacción y le sirva de ayuda por mucho tiempo en adelante. La adquisición de alguno de nuestros productos da acceso a asistencia profesional con reparaciones y servicio. Si la máquina no fue adquirida en un distribuidor oficial, preguntar en la tienda de compra la dirección del taller de servicio más cercano.

Este manual de instrucciones es un documento importante. Procure tenerlo siempre a mano en el lugar de trabajo. Siguiendo sus instrucciones (de uso, servicio, mantenimiento etcétera) puede alargar considerablemente la vida útil de la máquina e incrementar su valor de reventa. Si vende su máquina, entregue el manual de instrucciones al nuevo propietario.

Más de 300 años de innovación

La fundación de la empresa sueca Husqvarna AB data del año 1689, cuando el Rey Karl XI encargó la construcción de una fábrica para la fabricación de mosquetes. En ese momento se establecieron los cimientos de la experiencia tecnológica en la que se basan muchos de los productos punteros en el mundo en el sector de las armas de caza, bicicletas, motocicletas, electrodomésticos, máquinas de coser y productos para exteriores.

Husqvarna es líder internacional en productos motorizados para exteriores destinados a la silvicultura, el mantenimiento de parques y el cuidado del césped y del jardín, así como equipos de corte y herramientas de diamante para el sector de la construcción y la piedra.

Responsabilidad del propietario

El propietario / empresario es el responsable de asegurarse de que el usuario tiene los conocimientos necesarios para utilizar la máquina con seguridad. Los supervisores y los usuarios deben haber leído y entendido el manual de instrucciones. Deben tener conocimiento de lo siguiente:

- Las instrucciones de seguridad de la máquina.
- Las aplicaciones y las limitaciones de la máquina.
- El modo de uso y de mantenimiento de la máquina.

La utilización de esta máquina podría estar restringida por regulaciones locales. Infórmese sobre las regulaciones vigentes en el lugar donde trabaja antes de empezar a utilizar la máquina.

Los derechos que se reserva el fabricante.

Tras la publicación de este manual, Husqvarna podría publicar información adicional para el funcionamiento seguro de este producto. Es responsabilidad del propietario mantenerse informado de los métodos de funcionamiento más seguros.

Husqvarna AB trabaja constantemente para perfeccionar sus productos y se reserva, por lo tanto, el derecho a introducir modificaciones en la construcción y el diseño sin previo aviso.

Para obtener información y asistencia al cliente, comuníquese con nosotros en nuestro sitio web: www.husqvarna.com o llámenos al 1-800-845-1312.

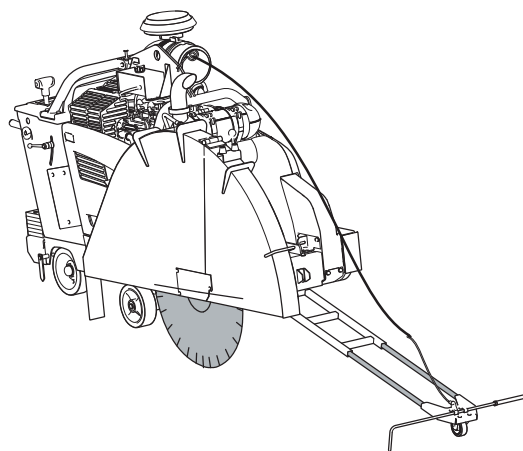
Diseño y funciones

Estas sierras planas de empuje posterior están diseñadas para su uso con discos de diamante solo para corte húmedo. Están diseñadas para cortar hormigón fresco y endurecido en diferentes clases de solidez y asfalto.

El alto rendimiento, la fiabilidad, la tecnología innovadora, las soluciones técnicas avanzadas y el respeto medioambiental son los valores que caracterizan a los productos de Husqvarna. El usuario debe leer este manual detenidamente para garantizar un funcionamiento seguro del producto. Póngase en contacto con su concesionario o con Husqvarna si necesita más información.

A continuación se describen algunas de las características únicas de su producto.

Sierra plana FS7000 DL



Motor

Potentes motores de diésel controlados electrónicamente y refrigerados por medio de agua para curvas de par.

Chasis grande

Sierra plana FS7000 DL tiene una base más grande que FS7000 D para adaptarse a hojas de diamante más grandes.

Transmisión mecánica

Transmisión de energía sólida y eficaz entre el motor y la cuchilla para lograr una potencia máxima en el eje de la cuchilla.

Norma Tier 4 Final/ Etapa IIIB

Estos productos cumplen con la norma Tier 4 Final / Etapa IIIB: Nuevo sistema de postratamiento de gases de escape que cumple con las nuevas leyes de EE.UU. y la UE.

E-track

Eje trasero controlado electrónicamente donde el operador, con solo presionar un botón, puede ajustar la sierra para que siga una línea recta mientras corta.

PRESENTACIÓN

Pantalla digital

Pantalla digital que ofrece un panorama general de las características y funciones para el funcionamiento de la máquina.

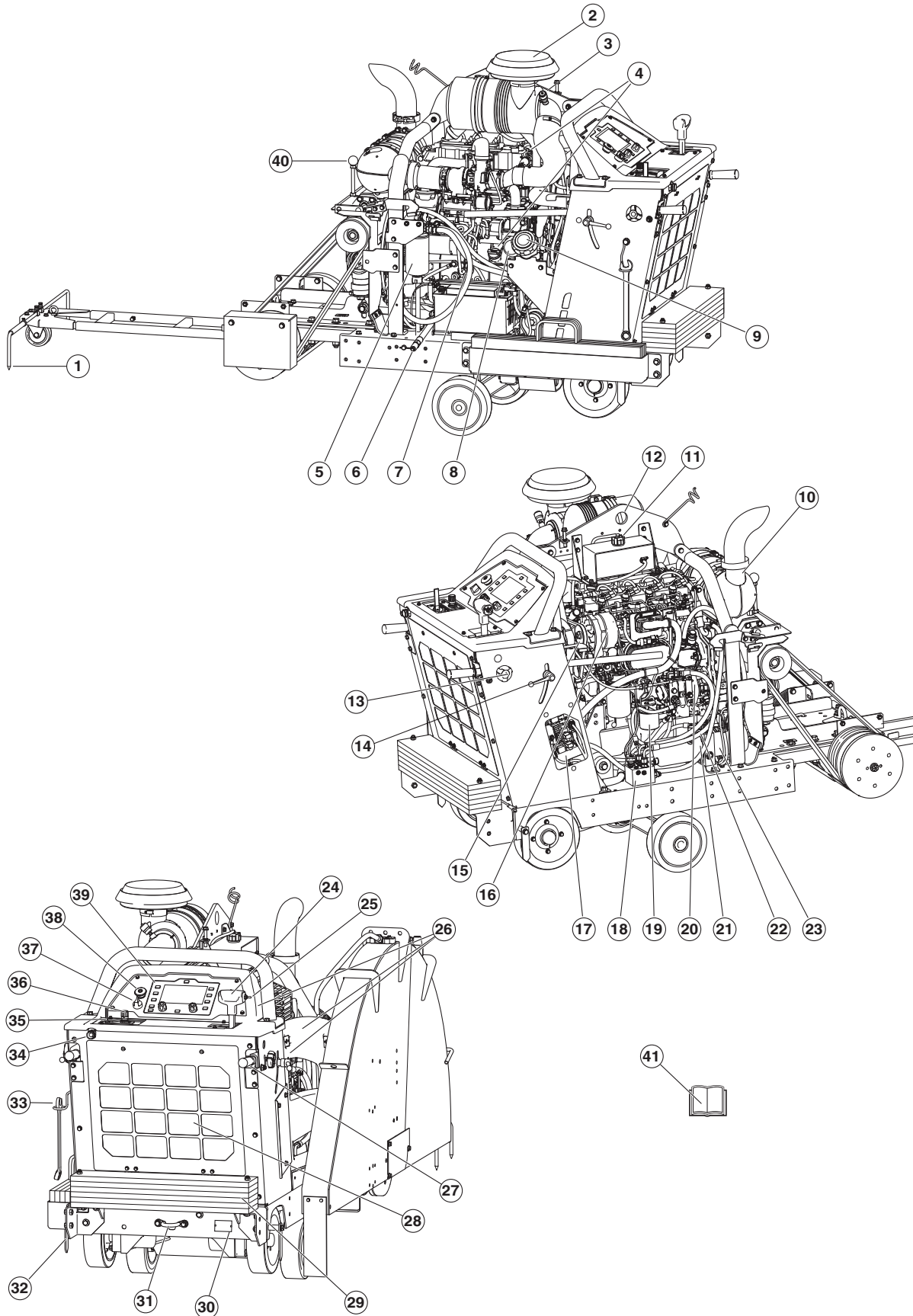
Guía frontal

La guía delantera tiene un ajuste telescópico que proporciona una buena visibilidad y un práctico almacenamiento.

PRESENTACIÓN

¿Cuáles son las partes de la sierra plana FS7000 DL?

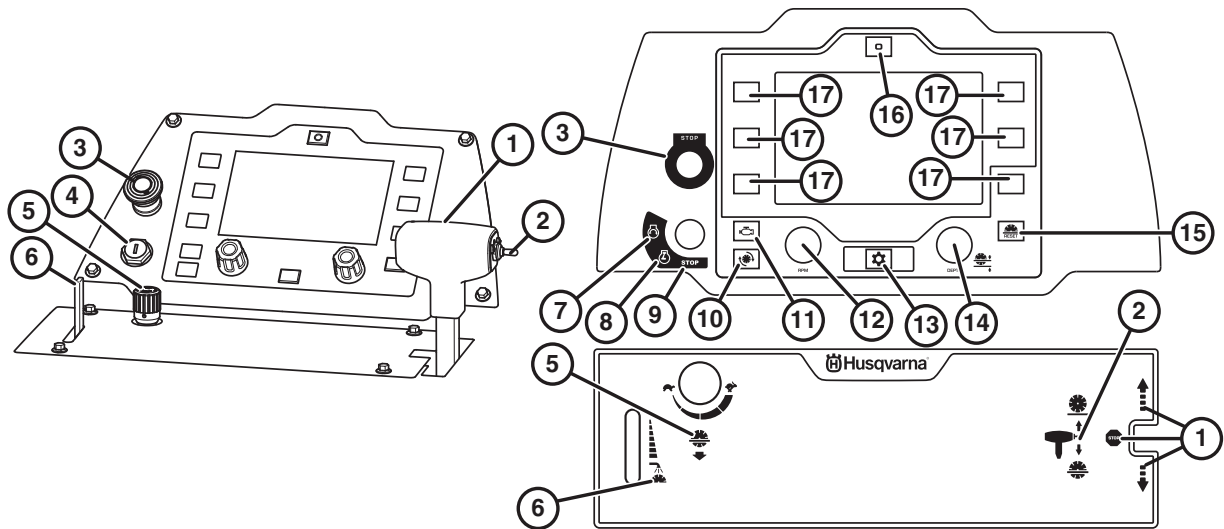
Se extrajeron las cubiertas para el propósito de la ilustración.



PRESENTACIÓN

- 1 Guía frontal
- 2 Filtro de aire
- 3 Indicador de restricción de aire
- 4 Llenado de aceite
- 5 Separador de agua del filtro de combustible
- 6 Manguera de drenaje de aceite del motor con válvula
- 7 Comprobación de aceite del motor (varilla de nivel)
- 8 Filtro de aceite del motor
- 9 Orificio de llenado del depósito de combustible
- 10 Silenciador - DOC
- 11 Orificio de llenado de refrigerante del radiador
- 12 Cáncamo de elevación
- 13 Perilla de bloqueo para ajuste de longitud del manillar
- 14 Perilla de bloqueo para ajuste de altura del manillar
- 15 Correa del alternador/bomba de agua
- 16 Alternador
- 17 Caja de relés y fusibles
- 18 Válvula de derivación de la transmisión
- 19 Filtro hidráulico
- 20 Bomba de transmisión hidrostática
- 21 Depósito hidráulico
- 22 Orificio de llenado del depósito hidráulico
- 23 Bomba de elevación hidráulica
- 24 Palanca de control de velocidad - direccional de avance y retroceso
- 25 Interruptor de elevación/descenso (disco)
- 26 Cubiertas de protección
- 27 Manillar
- 28 Filtro de aire del radiador
- 29 Conjuntos de pesos
- 30 Placa de identificación
- 31 Argolla de amarre (delantera y trasera)
- 32 Guía trasera
- 33 Llave para eje del disco
- 34 Admisión de agua
- 35 Válvula de agua
- 36 Perilla de control de velocidad para descenso de la sierra
- 37 Interruptor de arranque del motor
- 38 Parada de la máquina
- 39 Panel de control
- 40 Palanca de cambios de la caja de cambios (modelo de caja de cambios de tres velocidades)
- 41 Manual de instrucciones

PRESENTACIÓN



El panel de control es el enlace del operador con la máquina. Desde aquí, el operador puede controlar cualquier cosa, desde las rpm del motor, la profundidad de corte del disco y leer el estado actual del motor y la máquina..

Toda la información que necesita el operador aparecerá en una pantalla con cubierta antirreflejo de 7" con retroiluminación LED, lo que la hace claramente visible en sitios de trabajo brillantes y oscuros.

Los textos de la pantalla aparecen en inglés en el manual, pero en la pantalla del producto estarán en el idioma que corresponda. Según la configuración de la máquina, hay distintas opciones de menú válidas. Para obtener más información, consulte la sección 'Sistema de menú'.

Utilice los botones de función (17) que están a ambos lados de la pantalla para seleccionar las funciones correspondientes que se muestran en pantalla.

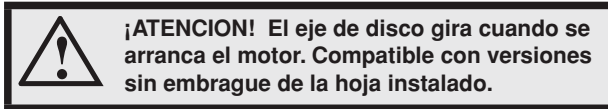
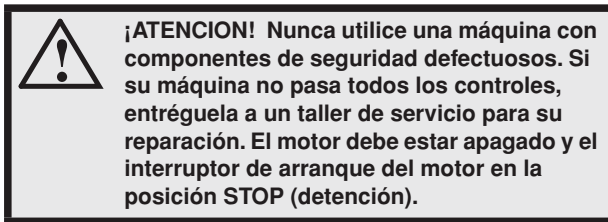
¿A qué corresponde cada elemento del panel de control?

- 1 Palanca de control de velocidad
- 2 Interruptor de elevación/descenso (disco)
- 3 Parada de la máquina
- 4 Interruptor de arranque del motor
- 5 Perilla de control de velocidad para descenso de la sierra
- 6 Válvula de agua
- 7 Arranque del motor

- 8 Encendido activado
- 9 Detención del motor
- 10 Visualización de la velocidad del disco, rpm
- 11 Visualización de la velocidad del motor, rpm
- 12 Ajuste de la velocidad del acelerador
- 13 Botón de menú
- 14 Ajuste de la profundidad de la cuchilla
- 15 Botón de disco cero
- 16 Botón de función E-track cero
- 17 Botón de selección

EQUIPO DE SEGURIDAD DE LA MÁQUINA

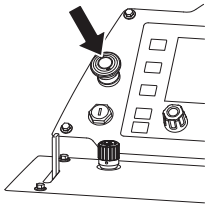
Generalidades



En este capítulo se describen los componentes de seguridad de la máquina, su función y el modo de efectuar el control y el mantenimiento para garantizar un funcionamiento óptimo.

Parada de la máquina

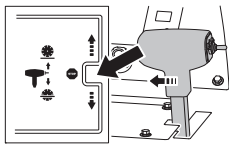
La función para detener la máquina se usa para apagar rápidamente el motor y todas las funciones eléctricas excepto las luces.



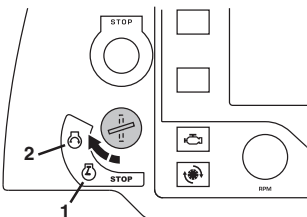
AVISO No la utilice para detención de rutina.

Comprobación de la parada de la máquina

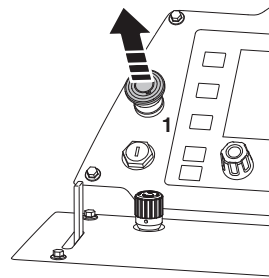
- Coloque la palanca de control de velocidad en la posición STOP. El motor no arrancará a menos que la palanca de control de velocidad se encuentre precisamente en la posición STOP.



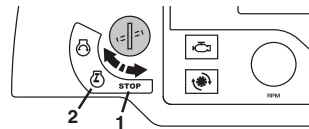
- Arranque el motor, gire el interruptor de arranque del motor a la posición de encendido. Siga el procedimiento descrito en el manual del motor.
- Cuando aparezca el símbolo de precalentamiento, espere que las bujías incandescentes calienten el motor. Cuando el símbolo de precalentamiento desaparezca, gire el interruptor de arranque del motor a la posición de arranque para arrancar el motor.



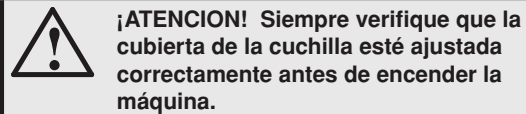
- Presione la detención de la máquina y compruebe que el motor se detiene. Esto configurará la máquina en modo seguro.
- Restablezca el botón para detener la máquina tirando la perilla hacia afuera.



- Restablezca el modo seguro girando el interruptor de arranque del motor a la posición STOP y de regreso a la posición de encendido.



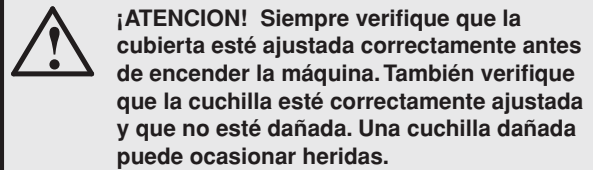
Protección de la hoja



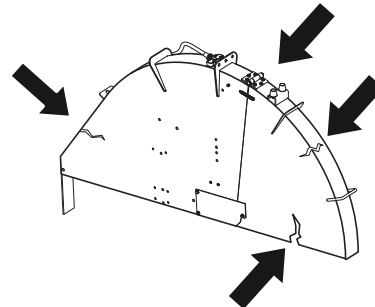
Esta protección está montada sobre el disco y está construida para impedir el lanzamiento de partes del disco o material cortado contra el usuario.

Además protegerá al usuario del disco y enfriará el disco con agua durante el corte húmedo.

Control de la protección del disco de corte



- Controle que la protección de la hoja no esté dañada ni presente grietas. Cambie la protección de la hoja si ha recibido golpes o está agrietada.



EQUIPO DE SEGURIDAD DE LA MÁQUINA

Cubiertas de protección

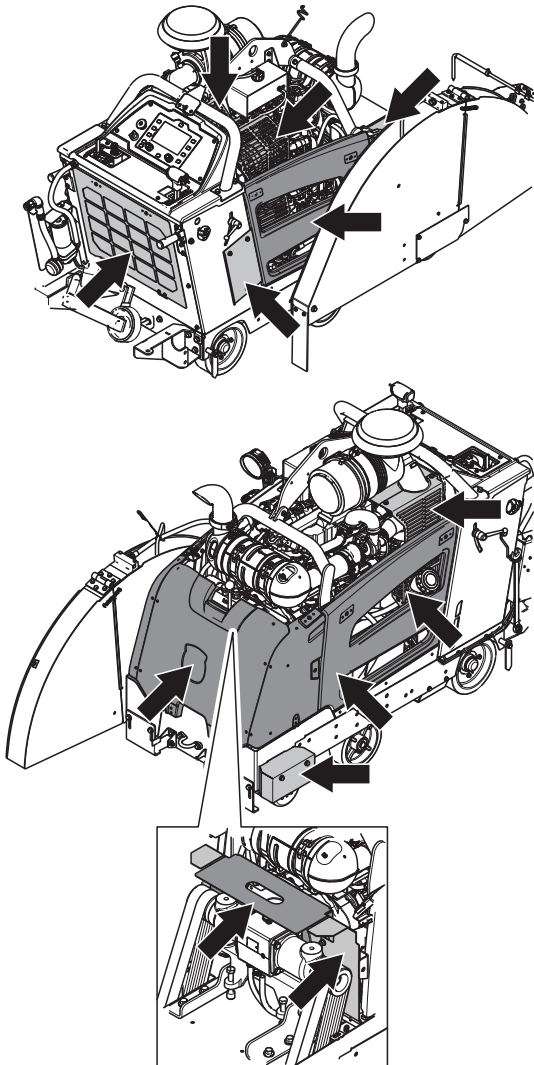


¡ATENCIÓN! Verifique siempre que las cubiertas de protección estén correctamente montadas antes de arrancar la máquina.

Las cubiertas de protección de la máquina protegen al usuario del ventilador de refrigeración, las correas de transmisión y las superficies calientes.

Comprobación de las cubiertas de protección

- Compruebe que no existan grietas ni daños en las tapas protectoras. Sustituya las tapas dañadas.



Silenciador - DOC



¡ATENCIÓN! No utilice nunca una máquina que no tenga silenciador o que lo tenga defectuoso. Un silenciador defectuoso puede incrementar considerablemente el nivel de ruido y el riesgo de incendio. Tenga a mano herramientas para la extinción de incendios.

El silenciador está muy caliente durante el funcionamiento y después de parar. Esto también es aplicable al funcionamiento en ralentí. Preste atención al riesgo de incendio, especialmente al emplear la máquina cerca de sustancias y/o gases inflamables.

El silenciador está diseñado para reducir al máximo posible el nivel sonoro y para apartar los gases de escape del usuario.

Revisión del silenciador - DOC

- Revise regularmente el silenciador para comprobar que está intacto y bien fijo.

AVISO Silenciador: DOC es parte de la conformidad con las normas de emisiones. ¡No lo modifique!

Generalidades



¡ATENCIÓN! Un disco de corte puede romperse y provocar daños graves al operario.

El fabricante publica advertencias y recomendaciones para el uso y cuidado adecuado del disco. Estas advertencias se suministran con el disco.

Se debe comprobar el disco antes de su montaje en la cortadora y a menudo durante su uso. Compruebe que no presenta grietas, ni faltan segmentos (discos de diamante) ni se han roto piezas. No utilice un disco dañado.

- Los discos de corte de gran calidad suelen ser los más económicos. Los discos de corte de calidad inferior tienen a menudo una capacidad de corte peor y menor durabilidad, lo cual se traduce en unos costes mayores con respecto a la cantidad de material cortado. Consulte las instrucciones bajo el título Montaje de los discos.



¡ATENCIÓN! No utilice nunca un disco de corte para ningún material para el que no esté destinado. No utilice nunca una hoja cuyo régimen nominal sea inferior al de la máquina. No utilice discos de cierra circulares u discos con puntas de carburo.

Inestabilidad del disco

- El disco puede oscilar y salir disparado si se aplica un rango de velocidad de rotación excesivo.
- La oscilación puede detenerse con un rango de velocidad de rotación más bajo. Compruebe la configuración o el cambio correcto de la transmisión del disco. De lo contrario, sustituya el disco.

Hojas de diamante

Generalidades

El disco de corte seguirá girando hasta un minuto después de detener el motor. Nunca detenga el disco con sus manos. Podría ocasionar daños personales.

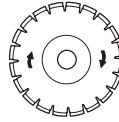


¡ATENCIÓN! Los discos de diamante se calientan mucho con el uso. Un disco recalentado es consecuencia de un uso inadecuado y puede deformarse, lo que podría causar daños y lesiones.

Al cortar metales se producen chispas que podrían provocar un incendio. No utilice la máquina cerca de sustancias o gases inflamables.

- Las hojas de diamante están compuestas por un armazón de acero provisto de segmentos conteniendo diamantes industriales.

- Las hojas de diamante tienen un menor coste por operación de corte, requieren menos cambios de hoja y proporcionan una profundidad de corte constante.
- Al utilizar una hoja de diamante, procure que gire en el sentido indicado por la flecha marcada en la hoja.



Afilado de hojas de diamante

- Use siempre una hoja de diamante afilada.
- Las hojas de diamante pueden volverse romas si se utiliza una presión de avance errónea o al cortar materiales como por ejemplo hormigón muy armado. El trabajo con una hoja de diamante roma comporta recalentamiento, lo que puede causar que se suelten segmentos de diamante.
- Afile el disco disminuyendo la profundidad de corte y la velocidad del motor durante un período breve. Esto expondrá diamantes nuevos y afilados en el disco

Refrigeración de los discos de diamante

- Durante el corte, la fricción hace que el disco de diamante se caliente. Si se deja que el disco se caliente demasiado, el disco podría aflojarse o el núcleo podría agrietarse. Luego, el disco de diamante debe enfriarse con agua.

Hojas de diamante para corte húmedo

Durante el corte, la fricción hace que el disco de diamante se caliente. Si se deja que el disco se caliente demasiado, el disco podría aflojarse o el núcleo podría agrietarse.

Deje que el disco se enfríe antes de tocarlo.

- Los discos de diamante de corte húmedo deben utilizarse con agua para mantener los segmentos y el núcleo del disco refrigerados durante el corte. Los discos de corte húmedo NO deben usarse en seco.
- El uso de discos de corte húmedo sin agua podría causar una acumulación excesiva de calor, lo que provocaría una pérdida de rendimiento y daños graves en el disco. Además, supondría un peligro para la salud.
- El agua enfría el disco y aumenta la vida útil, mientras que al mismo tiempo reduce la formación de polvo.
- Utilice corte húmedo en hormigón y asfalto nuevo y antiguo.

AVISO Utilice siempre el tamaño de brida del disco específico para el tamaño del disco actual. Nunca utilice bridas dañadas.

Transporte y almacenamiento

- Almacene los discos de corte en un lugar seguro para evitar daños.
- Conserve el disco de corte en un lugar seco y sin escarcha.
- Controle que los discos nuevos no hayan sufrido averías por el transporte o almacenamiento.

MANIPULACION DEL COMBUSTIBLE

Generalidades



¡ATENCIÓN! Si se hace funcionar el motor en un local cerrado o mal ventilado, se corre riesgo de muerte por asfixia o intoxicación con monóxido de carbono.

El combustible y los vapores de combustible son muy inflamables y pueden causar daños graves por inhalación y contacto con la piel. Por consiguiente, al manipular combustible proceda con cuidado y procure que haya buena ventilación.

Los gases de escape del motor están calientes y pueden contener chispas que pueden provocar incendio. Por esa razón, ¡nunca arranque la máquina en interiores o cerca de material inflamable!

No fume ni ponga objetos calientes cerca del combustible.

Carburante

Motor

El motor de esta máquina cuenta con certificación de acuerdo con las normas ambientales de emisión de gases de escape según EPA y CARB Tier 4 Final de EE.UU. y Etapa IIIB de la UE.

Combustible diésel

- Utilice solo diésel con contenido de azufre ultra bajo (0,0015% o 15 ppm). Para obtener información adicional sobre el combustible, consulte el manual del fabricante del motor que incluye el producto.

AVISO Nunca utilice biodiésel! El biodiésel dañará las mangueras de combustible.

Aceite de motor

Estacione siempre la máquina en una superficie nivelada antes de revisar el aceite. Mantenga la sierra nivelada, sin el disco, cuando verifique el nivel de aceite.

- Controlar el nivel de aceite antes de arrancar la máquina. Un nivel de aceite demasiado bajo puede causar averías graves del motor. Consulte las instrucciones de la sección 'Mantenimiento y servicio'.
- No utilice nunca aceite para motores de dos tiempos. Utilice solo aceite de motor bajo en cenizas, como se indica en 'Datos técnicos'.

AVISO Compruebe que siempre haya suficiente aceite en el motor.

Repostaje



¡ATENCIÓN! Apague el motor y deje que se enfríe unos minutos antes de repostar.

Para repostar, abra despacio la tapa del depósito de combustible para evacuar lentamente la eventual sobrepresión.

Limpie alrededor del tapón de combustible.

Después de repostar, apriete bien la tapa del depósito de combustible. Si el tapón no está correctamente apretado, podría aflojarse con la vibración y se produciría una fuga de combustible del depósito con el consiguiente riesgo de incendio.

Antes de arrancar, aparte la máquina a 3 m como mínimo del lugar de repostaje.

Nunca arranque la máquina:

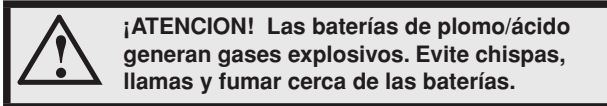
- Si ha derramado combustible o aceite de motor en la máquina. Limpie todos los derrames y deje evaporar los restos de gasolina.
- Si se salpicó el cuerpo o las ropas, cambie de ropas. Lave las partes del cuerpo que han entrado en contacto con el combustible. Use agua y jabón.
- Si hay fugas de combustible en la máquina. Compruebe regularmente si hay fugas en la tapa del depósito o en los conductos de combustible.

Transporte y almacenamiento

- Almacene y transporte la máquina y el combustible de manera que eventuales fugas o vapores no puedan entrar en contacto con chispas o llamas, por ejemplo, máquinas eléctricas, motores eléctricos, contactos eléctricos/ interruptores de corriente o calderas.
- Para almacenar y transportar combustible se deben utilizar recipientes diseñados y homologados para tal efecto.

MANEJO DE LA BATERÍA

Generalidades

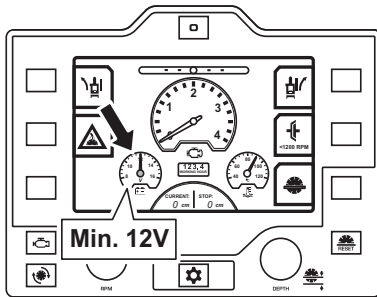


- La conexión o desconexión de la batería puede causar chispas o cortocircuitos.
- Una chispa o llama puede causar la explosión de una batería de ácido de plomo.
- Nunca conecte ambos terminales de la batería al mismo tiempo con una llave u otro metal, ya que se puede producir un cortocircuito en la batería.
- Siempre manipule la batería con cuidado.
- Las baterías que no se utilicen deben mantenerse alejadas de objetos metálicos como clavos, monedas o joyas.
- Antes de conectar la batería, quítese las pulseras de metal, los relojes, anillos, etc. Utilice gafas protectoras y guantes protectores o una máscara contra polvo cuando manipule la batería.
- La batería original no requiere mantenimiento. No intente abrir o retirar los tapones o cubiertas. Normalmente no es necesario comprobar ni ajustar el nivel de electrolito.
- Sustituya la batería solo por otra similar que no requiera mantenimiento. Consulte la información del apartado «Datos técnicos».
- Cuando realice soldaduras en la máquina, desconecte siempre ambos cables de la batería y guárdelos lejos de los polos de la batería.
- Conecte siempre el polo negativo del equipo de soldadura lo más cerca posible del punto de soldadura.

AVISO Respete el tamaño físico máximo de batería. Una batería demasiado grande podría dañar o resultar dañada por las piezas adyacentes.

Por consideración al medio ambiente, manipule con cuidado la batería. Observe la normativa local en materia de reciclaje.

- Revise la batería diariamente. Cuando el interruptor de arranque del motor está en la posición de encendido, el medidor de la batería en pantalla no debe bajar de los 12 V.



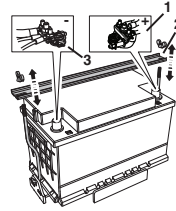
- Si la batería no mantiene la tensión durante períodos prolongados cuando no se aplica carga, sustituya la batería. Para obtener más información sobre las baterías recomendadas, consulte la sección 'Datos técnicos'
- Cargue la batería regularmente.

- Mantenga limpios los terminales de la batería y los accesorios.

Conexión de la batería

Aclaración! Instale y extraiga los cables de la batería solo en la secuencia descrita en esta sección.

- 1 Conecte siempre el terminal positivo primero.
- 2 Vuelva a montar el soporte de la batería.
- 3 Conecte el terminal negativo.



Desconexión de la batería

- Quite los cables en orden inverso.

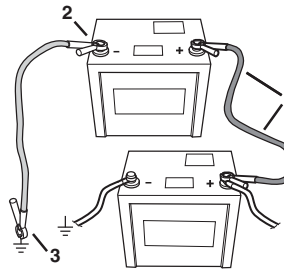
Arranque del motor con batería poco cargada

Si la carga de la batería es insuficiente para arrancar el motor, hay que cargarla.

Procedimiento para el uso de cables para arranque de emergencia:

Conexión de cables de arranque auxiliar

- 1 Conecte cada extremo del cable rojo en el polo POSITIVO (+) de cada batería, procediendo con cuidado para no cortocircuitar ningún extremo con el chasis.
- 2 Conecte un extremo del cable negro en el polo NEGATIVO (-) de la batería plenamente cargada.
- 3 Conecte el otro extremo del cable negro en una buena CONEXIÓN A TIERRA DEL BLOQUE DE MOTOR, lejos del depósito de combustible y la batería.



Quite los cables en orden inverso.

- El cable NEGRO se extrae del bloque de motor y luego la batería completamente cargada.
- El cable ROJO se suelta en último lugar de ambas baterías.

Almacenaje

- Guarde la batería en un lugar frío y seco.

Equipo de protección

Generalidades

Asegúrese siempre de tener a alguien cerca cuando utilice la máquina, de modo que pueda pedir ayuda en caso de accidentes.

Equipo de protección personal

Para trabajar con la máquina debe utilizarse un equipo de protección personal homologado. El equipo de protección personal no elimina el riesgo de lesiones, pero reduce su efecto en caso de accidente. Pida a su distribuidor que le asesore en la elección del equipo.



¡ATENCIÓN! El uso de productos tales como cortadoras, amoladoras, taladros, sierras que pulen o dan forma a materiales puede generar polvo o vapores que podría contener químicos peligrosos. Compruebe el origen del material que va a procesar y utilice una máscara respiratoria adecuada.

La exposición prolongada al ruido puede causar daños crónicos en el oído. Utilice siempre una protección de oídos homologada. Al utilizar protección de oídos preste atención a las señales de aviso o gritos de alerta. Quítese siempre la protección de oídos en cuanto se detenga el motor.

Utilice siempre:

- Casco protector homologado
- Protectores auriculares
- Protección ocular homologada. Si se utiliza visor, deben utilizarse también gafas protectoras homologadas. Por gafas protectoras homologadas se entienden las que cumplen con la norma ANSI Z87.1 para EE.UU. o EN 166 para países de la UE. El visor debe cumplir con la norma EN 1731.
- Máscara respiratoria
- Guantes resistentes de agarre seguro.
- Prendas de vestir ceñidas, resistentes y cómodas que permitan una libertad de movimientos total. El proceso de corte genera chispas que podrían prender fuego a la ropa. Husqvarna recomienda que lleve ropa de algodón pirorretardante o de tejidos vaqueros duros. No lleve ropa de materiales como nailon, poliéster o rayón. Si estos materiales empezaran a arder, podrían derretirse y adherirse a la piel. No lleve pantalones cortos.
- Botas con puntera de acero y suela antideslizante.

Otros equipos de protección



¡NOTA! Mientras trabaja con la máquina, pueden producirse chispas que podrían ocasionar un incendio. Tenga siempre a mano herramientas para la extinción de incendios.

- Extintor de incendios
- Tenga siempre a mano el equipo de primeros auxilios.

Instrucciones generales de seguridad

Este apartado trata las normas de seguridad básicas para trabajar con el dispositivo. Esta información no sustituye en ningún caso los conocimientos y la experiencia de un profesional.

- Lea detenidamente el manual de instrucciones y asegúrese de entender su contenido antes de utilizar la máquina. Se recomienda que los operarios sin experiencia previa reciban instrucciones prácticas antes de utilizar la máquina.
- Tenga en cuenta que es usted, como usuario, el responsable de no exponer a riesgos o accidentes a las personas y a su propiedad.
- La máquina debe mantenerse limpia. Los letreros y las pegatinas deben ser legibles en su totalidad.

Servicio

Solicite el mantenimiento de la máquina a un técnico calificado que utilice solo repuestos idénticos. Esto garantizará la seguridad de la máquina que recibe mantenimiento.

Emplee siempre el sentido común

Es imposible abarcar todas las situaciones imaginables que se pueden producir al utilizar una taladradora. Proceder siempre con cuidado y emplear el sentido común. Si se encuentra en alguna situación que le haga sentirse inseguro, deténgase y consulte con un experto. Consulte a su

FUNCIONAMIENTO

distribuidor, al taller de servicio técnico o a un usuario experimentado. No emplee la máquina en aplicaciones para las que no se considere plenamente cualificado.



¡ATENCIÓN! La máquina, si se utiliza de forma errónea o descuidada, puede ser una herramienta peligrosa que puede causar daños graves e incluso la muerte al usuario y a otras personas.

No permita bajo ningún concepto el empleo o mantenimiento de la máquina por los niños u otras personas no instruidas en el manejo de la misma.

Nunca deje que terceros utilicen la máquina sin asegurarse primero de que hayan entendido el contenido de este manual de instrucciones.

Nunca utilice la máquina si está cansado, si ha ingerido alcohol o si toma medicamentos que puedan afectar la vista, su capacidad de discernimiento o el control del cuerpo.



¡ATENCIÓN! Las modificaciones y/o el uso de accesorios no autorizados comportan riesgo de daños personales graves y peligro de muerte para el usuario y otras personas. Bajo ninguna circunstancia debe modificarse la configuración original de la máquina sin autorización del fabricante.

No modifique nunca esta máquina de forma que se desvíe de la versión original, y no la utilice si parece haber sido modificada por otras personas.

No utilice nunca una máquina defectuosa. Lleve a cabo las comprobaciones de seguridad y siga las instrucciones de mantenimiento y servicio de este manual. Algunas medidas de mantenimiento y servicio deben ser efectuadas por especialistas formados y cualificados. Consulte las instrucciones del apartado Mantenimiento.

Utilizar siempre recambios originales.

Su garantía podría no abarcar daños o responsabilidades causados por el uso de accesorios o piezas de repuesto no autorizados.



¡ATENCIÓN! Esta máquina genera un campo electromagnético durante el funcionamiento. Este campo magnético puede, en determinadas circunstancias, interferir con implantes médicos activos o pasivos. Para reducir el riesgo de lesiones graves o letales, las personas que utilizan implantes médicos deben consultar a su médico y al fabricante del implante antes de emplear esta máquina.

Seguridad del área de corte



¡ATENCIÓN! Usted es el responsable de que no haya personas y animales dentro de la zona de trabajo. No comience a cortar hasta que la zona de trabajo esté despejada.

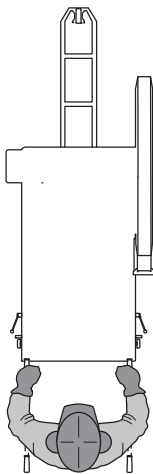
- Compruebe el entorno para asegurarse de que nada pueda influir en su control de la máquina.
- Asegúrese de que ningún objeto ni ninguna persona puede entrar en contacto con el equipo de corte o recibir el impacto de piezas lanzadas por el disco.
- No instale la cuchilla en la máquina hasta que se haya transportado a la zona de corte.
- No trabaje en condiciones atmosféricas desfavorables como niebla, lluvia intensa, tempestad, frío intenso, etc. Trabajar con mal tiempo es cansador y puede crear condiciones peligrosas, por ejemplo suelo resbaladizo.
- Nunca comience a trabajar con la cortadora eléctrica si el área de trabajo no está limpia y carece de un punto de apoyo. Preste atención a los obstáculos que puedan moverse inesperadamente. Al realizar un corte asegúrese de que ningún material se afloje y caiga, causando una herida. Tenga mucho cuidado al trabajar sobre suelos inclinados.
- Controle que la zona de trabajo esté bien iluminada para lograr un entorno seguro.
- Asegúrese de que no haya tuberías o cables eléctricos en la zona de trabajo o en el material que vaya a cortar.
- Si se hace funcionar el motor en un local cerrado o mal ventilado, se corre riesgo de muerte por asfixia o intoxicación con monóxido de carbono.

Técnica básica de trabajo

- Esta máquina ha sido diseñada para cortar hormigón fresco y endurecido de diferentes tipos de dureza o asfalto.
- Siempre realice cortes de una manera que permita un fácil acceso al dispositivo de detención de la máquina.
- Compruebe que no ha dejado ninguna herramienta u otro objeto sobre la máquina.
- Siempre verifique que la cubierta de la cuchilla esté ajustada correctamente antes de encender la máquina. No corte nunca sin utilizar el protector.
- Antes de empezar a cortar, todos los cortes que se van a hacer deben marcarse con claridad y planificarse para que se puedan hacer sin riesgo de dañar a personas o la máquina.
- Evite siempre el uso del lateral del disco. Es muy posible que este esté dañado o roto y que provoque daños muy graves. Utilice solamente el filo.
- No se pare detrás o delante del recorrido del disco mientras el motor esté funcionando.
- No deje la máquina sola mientras el motor esté funcionando.
- Nunca amartille, introduzca cuñas o doble el disco en un corte.

FUNCIONAMIENTO

- Asegúrese siempre de tener a alguien cerca cuando utilice la máquina, de modo que pueda pedir ayuda en caso de accidentes.
- Nunca se pare detrás o delante del recorrido del disco mientras el motor esté funcionando. La posición del operador debe ser entre los dos manillares.



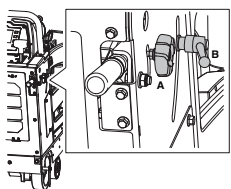
Posición del manillar

¡NOTA! Nunca utilice los manillares para levantar la sierra.

Utilice los manillares para manejar la sierra.

Es posible ajustar la altura y longitud de la posición de los manillares.

- Afloje la perilla de bloqueo **A** para ajustar la longitud.
- Gire la perilla de bloqueo del ajuste del manillar **B** en el sentido contrario a las agujas del reloj para desbloquear y volver a posicionar el manillar. Gírela en el sentido de las agujas del reloj para fijar el manillar en la posición. Coloque el manillar a la altura que le resulte más cómoda para trabajar. Apriete la perilla de bloqueo.

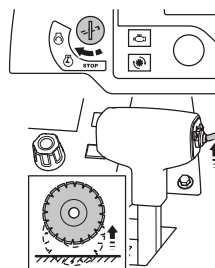


Desplazamiento de la máquina

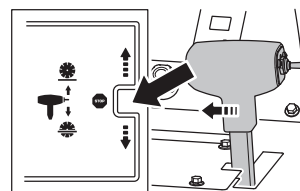
Antes de mover la máquina, lea y comprenda la información de la sección 'Encendido y detención'.

Desplazamiento de la máquina con el motor apagado

- Gire el interruptor de arranque del motor a la posición de encendido.
- Levante la sierra presionando el interruptor de elevación/descenso de la palanca de control de velocidad hasta que el disco (si está instalado) deje de tocar la superficie del pavimento.



- Coloque la palanca de control de velocidad en la posición STOP.



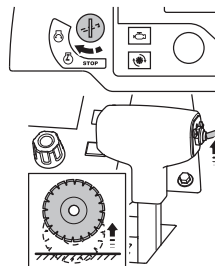
- Coloque la válvula de derivación de la transmisión en el sentido contrario a las agujas del reloj hasta la posición hacia arriba (neutra).
- Ahora puede mover la sierra empujándola desde atrás (mientras sostiene los manillares).



¡ATENCIÓN! No intente empujar la sierra mientras se encuentra en posición neutra en una pendiente (o colina). El operador de la sierra podría perder el control y sufrir o provocar lesiones a otras personas en el área.

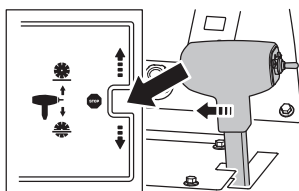
Desplazamiento de la sierra con el motor encendido

- Gire el interruptor de arranque del motor a la posición de encendido.
- Levante la sierra presionando el interruptor de elevación/descenso de la palanca de control de velocidad hasta que el disco (si está instalado) deje de tocar la superficie del pavimento.

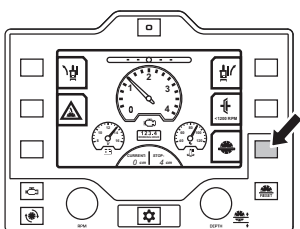


FUNCIONAMIENTO

- Coloque la palanca de control de velocidad en la posición STOP.

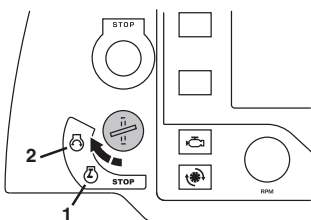


- El acelerador del motor se encuentra en velocidad de ralentí de manera predeterminada.
- Asegúrese de desacoplar el embrague del disco (si tiene embrague instalado).



¡NOTA! Ponga especial atención en máquinas sin embrague, la hoja comienza a girar al inicio. Por razones de seguridad, no mueva la sierra de lado a lado o fuera del área de corte con la hoja instalada y girando.

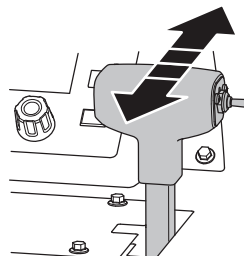
- Mientras el interruptor de arranque del motor está en la posición de encendido, revise la pantalla y asegúrese de que el símbolo de precalentamiento esté apagado. Si está encendido, las bujías incandescentes están calentando el motor y este no arrancará. Espere unos segundos hasta que se apague.
- Cuando el símbolo de precalentamiento se apague, gire el interruptor de arranque del motor a la posición de arranque hasta que el motor arranque y luego suelte el interruptor. Volverá a la posición de encendido automáticamente.



AVISO Si el motor no arranca, gire el interruptor de arranque del motor a la posición STOP y verifique si hay mensajes en la pantalla. Si no los hay, repita los pasos anteriores. Realice las acciones pertinentes según el mensaje que aparece en la pantalla antes de un nuevo intento de arranque.

- Empuje la palanca de control de velocidad hacia adelante para mover la sierra hacia adelante o empújela hacia atrás para mover la sierra en reversa.

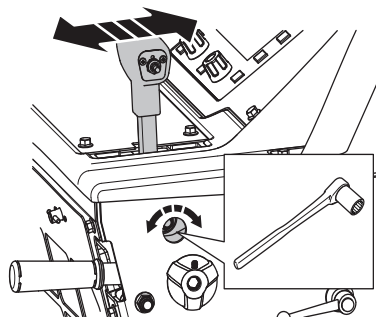
Mientras más adelante empuje la palanca, mayor será la velocidad. Si desea obtener más información, consulte el apartado de «Datos técnicos».



¡ATENCIÓN! No abra o cierre la válvula de derivación de la transmisión mientras el motor esté en marcha.

No abra la válvula de derivación de la transmisión a la posición neutra mientras la sierra esté estacionada en una pendiente (o colina). El operador perderá el control y podría causar daños o lesiones.

Ajuste la resistencia en la palanca de control de velocidad con la tuerca que está al costado de la palanca.



Montaje del disco

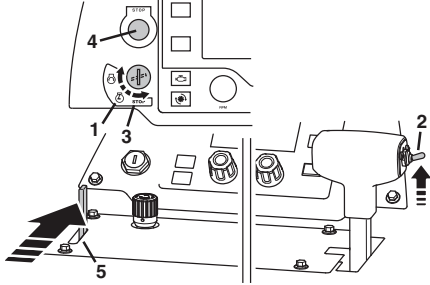
Antes de ajustar el disco, lea y comprenda la sección 'Ajuste de la velocidad del eje/caja de cambios del disco/motor'.

AVISO Compruebe el sentido de rotación del disco. La flecha y la protección del disco indican la dirección de rotación.

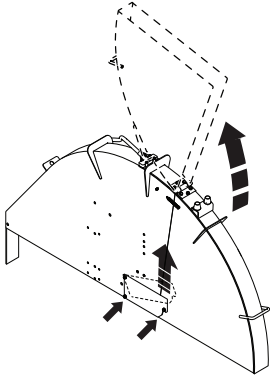
- 1 Transporte la máquina a la zona de corte y compruebe que el entorno se adecúa a lo estipulado por la sección Seguridad de zona de corte.
- 2 Gire el interruptor de arranque del motor a la posición de encendido.
- 3 Levante la sierra hasta la posición alta utilizando el interruptor de elevación/descenso de la palanca de control de velocidad.
- 4 Coloque el interruptor de arranque del motor en la posición STOP.
- 5 Presione Detención de la máquina en el panel de control.

FUNCIONAMIENTO

6 Cierre la válvula de agua.



- Afloje el perno delantero de la protección del disco y levante el seguro de protección.
- Levante la protección de la hoja hacia delante y use el gancho de resorte para fijarlo en la posición vertical.



¡ATENCIÓN! Compruebe si hay daños en el disco, las bridas del disco y el eje de la brida del disco. Limpie las superficies de contacto del disco y las bridas del disco. Asegúrese de que el disco y las bridas estén limpios y libres de suciedad o residuos antes de montar el disco en la máquina.

El perno del disco de la parte derecha de la sierra tiene hilos hacia la izquierda y el perno del eje del disco de la parte izquierda de la sierra tiene hilos hacia la derecha. Sustituya el perno del eje del disco y la arandela plana en caso de que presenten desgaste o daños.

- 1 Afloje el perno del eje del disco que se utiliza para sujetar el disco entre la brida interior y exterior.
- 2 Extraiga la brida exterior y la arandela plana.
- 3 Ajuste el disco de diamante en el eje de la brida exterior.

- 4 Instale la brida exterior con la hoja preinstalada en la brida interior, asegurándose de que los pasadores de seguridad pasen a través de la hoja de diamante y hacia la brida interior.

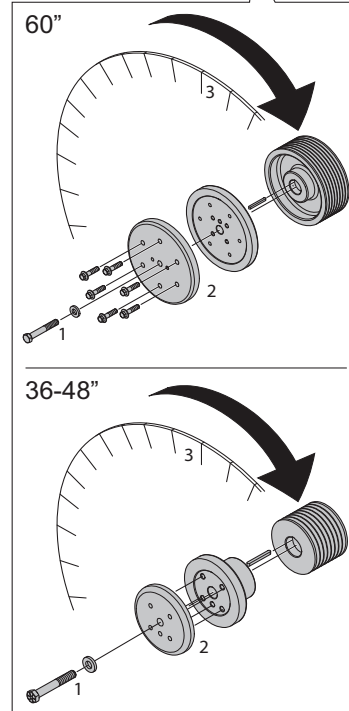
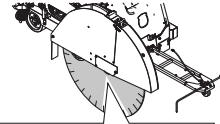
Utilice siempre una arandela plana con perno de eje del disco.

Gire la hoja en la dirección opuesta del giro para evitar el contragolpe.

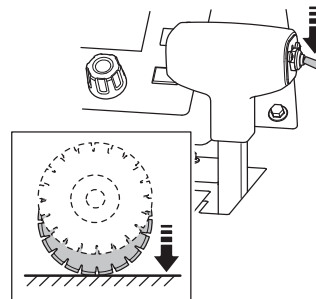
- 5 Apriete el perno del eje de la hoja firmemente con la llave proporcionada.

En la hoja de 1500 mm/60 pulg., suelte y apriete la brida como se describe arriba. Además, apriete los 6 pernos que sujetan la brida firmemente.

- Instale y apriete el perno del eje del disco y la arandela plana con la llave para eje del disco mientras sostiene firmemente el disco.



- Baje la sierra empujando el interruptor de elevación/descenso de la palanca de control de velocidad hacia abajo hasta que el disco toque la superficie que se va a cortar.

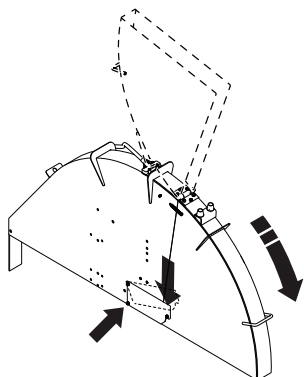


¡NOTA! El contacto debe ser suave para evitar dañar el disco. Utilice la perilla de control de velocidad de descenso de la sierra para reducir la velocidad. Nunca permita que el disco soporte el peso delantero de la máquina, ya que esto dañará el disco.

- Apriete el perno del eje del disco firmemente utilizando la llave para eje del disco mientras que la resistencia entre el disco de diamante y el suelo ayuda a conseguir el apriete final apropiado.

FUNCIONAMIENTO

- Baje la parte delantera de la protección del disco y coloque el perno delantero de la protección del disco. Apriete el perno de la parte delantera de la protección del disco.



AVISO No utilice esta sierra sin el seguro conectado y el perno instalado. No la utilice si presenta daños.

- Compruebe el funcionamiento de la máquina y preste atención a cualquier sonido extraño. Los sonidos extraños se deben a montajes incorrectos de la cuchilla.

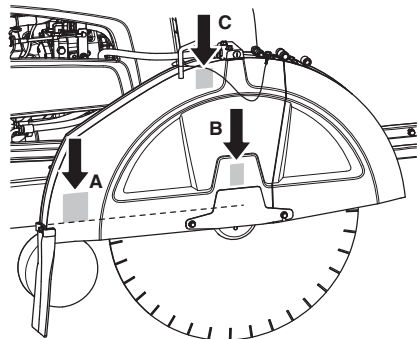
Instalación de la protección del disco 36"-42"

Las protecciones desmontables del disco están aseguradas con un seguro que se conecta a la mitad trasera de la protección del disco.

No opere esta sierra sin el seguro conectado. Inspeccione las protecciones y seguros del disco con frecuencia. No la utilice si presenta daños.

Baje la protección hacia los pernos de seguridad y use fuerza moderada para presionar la protección de la hoja hacia abajo hasta que el bloqueo se acople.

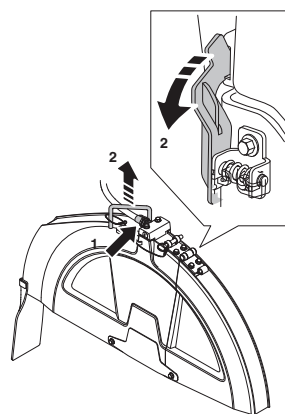
- Las protecciones de 36" y 42" se bajan en tres azadas **A**, **B** y **C**.



Extracción de la protección del disco 36"-42"

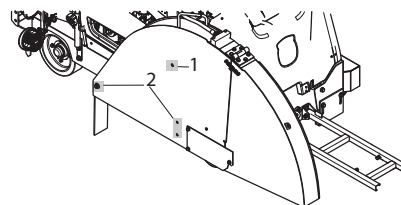
- 1 Desconecte la manguera de agua de la protección de la hoja.

- 2 Utilice la llave para eje del disco, gire el seguro de la protección del disco hacia adelante hasta que se detenga y se desconecte el seguro. Al mismo tiempo levante la protección del disco con su manilla para sacarla de las azadas de soporte.

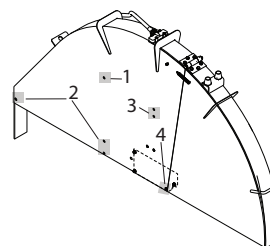


Instalación de la protección del disco 48"-60"

48"



60"



- 1 Uno tornillo fijado a la protección de la hoja de soporte superior.
- 2 Tres tornillos fijados a la placa base.
- 3 Dos tornillos fijados a la protección de la hoja de soporte.
- 4 Uno tornillo fijado a la protección de la correa.

Extracción de la protección del disco 48"-60"

- 1 Desconecte la manguera de agua de la protección de la hoja.
- 2 Retire el perno que sujeta la protección del disco.
- 3 Extracción de la protección del disco

FUNCIONAMIENTO

Detención de profundidad del disco

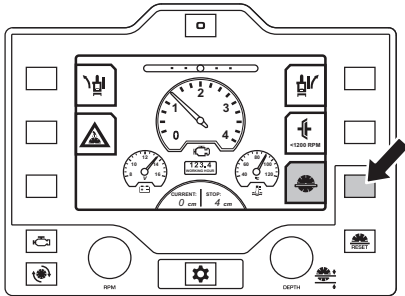
La sierra está equipada con un dispositivo de detención de la profundidad del disco en el panel de control. Cuando se activa, la profundidad de corte se detendrá en la profundidad seleccionada por el operador.

Para obtener más información sobre la profundidad máxima de corte para los distintos tamaños de disco, consulte la sección 'Discos'

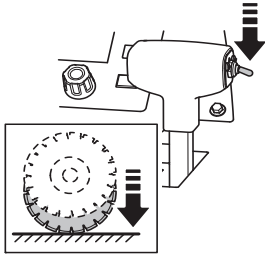
Configuración de la profundidad de corte

AVISO Solo corte hasta la profundidad indicada en las especificaciones del trabajo, ya que si el corte es más profundo, se pueden producir problemas de resistencia estructural.

- Active la función de detención de la profundidad del disco en el panel de control.

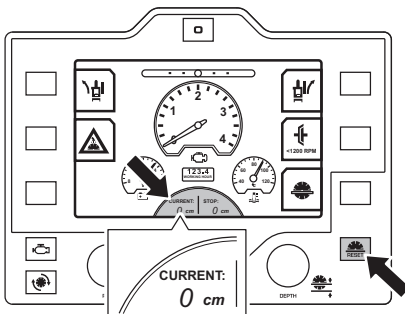


- Baje la sierra empujando el interruptor de elevación/descenso de la palanca de control de velocidad hacia abajo hasta que el disco toque la superficie que se va a cortar. Este será el punto de referencia.

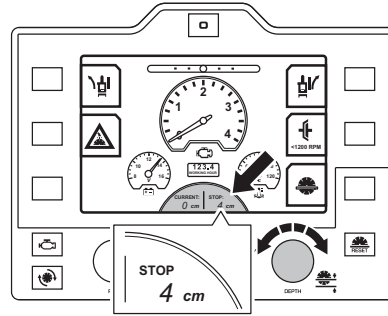


¡NOTA! El contacto debe ser suave para evitar dañar el disco. Utilice la perilla de control de velocidad de descenso de la sierra para reducir la velocidad.

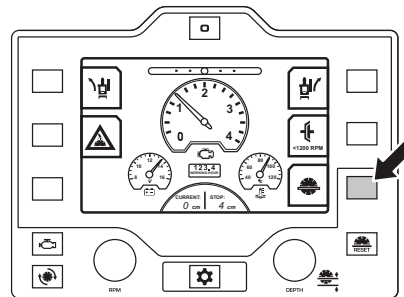
- Presione el botón de disco cero en el panel de control. El valor actual de la pantalla será 0.



- Establezca la profundidad de corte que desea girando la perilla de profundidad. La profundidad de corte seleccionada ahora aparece en la pantalla en un pequeño cuadro llamado Detención.



- Cuando se baja el disco, la profundidad de corte actual mostrará la diferencia entre el punto de referencia y el disco de diamante.
- La sierra no bajará a una profundidad mayor a la establecida como punto de detención en la pantalla. Si se necesita un corte más profundo, gire la perilla de profundidad del disco a una nueva posición de profundidad. También puede desactivar la detención de profundidad del disco presionando el botón de detención de profundidad del disco para anular la función de detención de profundidad.

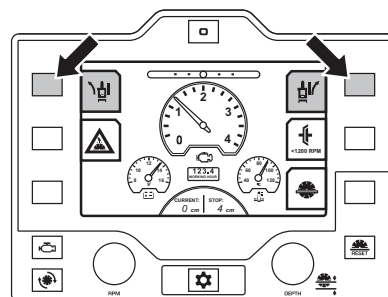


Corte en línea recta

Mientras corta, el disco crea resistencia a la fuerza de conducción desde las ruedas traseras, lo que hace que la máquina se desvíe en la misma dirección que se monta el disco. Este efecto se puede contrarrestar ajustando el ángulo del eje trasero a través de la función E-track o de ajustes manuales del eje.

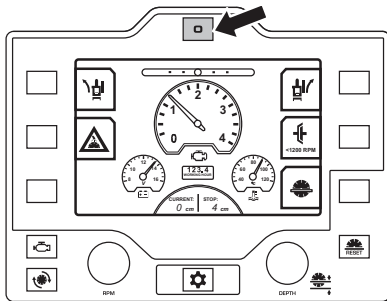
Sierra con seguimiento electrónico

- En el panel de control, presione los botones de ajuste de E-track que representan los ajustes de eje trasero hacia la izquierda y derecha. Presione varias veces para un reglaje preciso.

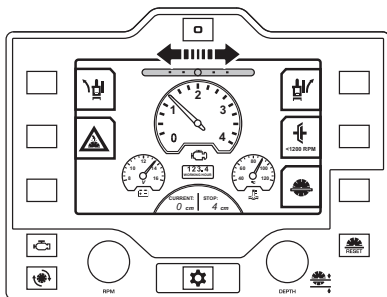


FUNCIONAMIENTO

- Al presionar el botón de E-track cero en el panel de control, el eje trasero volverá al ángulo central predefinido.



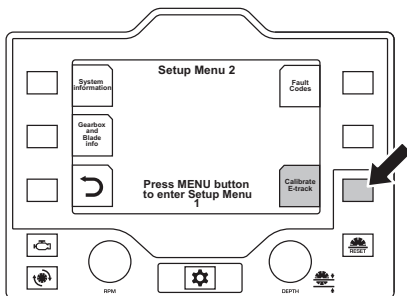
- Vuelva al ajuste anterior presionando una vez más el botón de E-track cero en el panel de control.
- El medidor de E-track en la pantalla indicará el ángulo presente del eje trasero. El cambio se guarda tanto si se apaga el interruptor de encendido como si la máquina no tiene energía.



- Se pueden hacer ajustes mientras se realizan y no se realizan cortes.
- Confirme visualmente el movimiento y la dirección del eje.

Para establecer un nuevo ángulo central para E-track

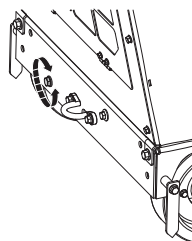
- Ajuste el eje trasero en el nuevo ángulo central que desea.
- En la pantalla, ingrese al menú de configuración 2 y presione el botón de calibración de E-track. Este ajuste se guardará incluso después de volver a arrancar el motor.



Cortes con ajuste manual del eje

- El eje trasero se ajusta girando el perno de ajuste ubicado en la parte inferior trasera de la izquierda del bastidor de la sierra con una llave de 18 mm.
- Si la sierra se desvía hacia la derecha mientras corta, gire el perno de ajuste en el sentido contrario a las agujas del reloj.

- Si la sierra se desvía hacia la izquierda mientras corta, gire el perno de ajuste en el sentido de las agujas del reloj.



Transporte y almacenamiento

- Extraiga el disco antes de las operaciones de transporte o almacenamiento de la máquina para evitar que el disco se dañe.
- Extraiga todas las herramientas y llaves de ajuste



¡ATENCIÓN! Retire el disco de corte antes de levantar, cargar, descargar o transportar la máquina.

Transporte

La sierra plana no está equipada con freno de estacionamiento. Rodará y se alejará lentamente si se deja en una pendiente o colina. Nunca deje la sierra sin supervisión en una pendiente o colina empinada a menos que esté correctamente asegurada.

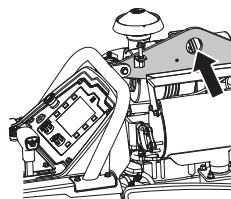


¡ATENCIÓN! Tenga mucho cuidado cuando suba o baje la sierra de una rampa con el motor encendido. En el caso de rampas empinadas, siempre utilice un cabestrante. Nunca se pare debajo de la máquina. Párese únicamente a los lados.

- Para bajar una rampa, conduzca la sierra solo hacia atrás.
- Para subir una rampa, conduzca la sierra solo hacia adelante.

Elevación de la sierra

- Proceda con cuidado en las elevaciones. Las piezas son pesadas, por lo que hay riesgo de daños por apriete y daños personales de otro tipo.
- Utilice siempre la argolla de izada montada en la máquina para levantarla.



Para transporte mediante vehículo

- Sujete bien el equipo durante el transporte para evitar daños y accidentes. Utilice las argollas de amarre delanteras y traseras instaladas de fábrica en la sierra para evitar que se mueva durante el transporte.

FUNCIONAMIENTO

- No remolque esta sierra con otro vehículo, ya que podría dañar los componentes de conducción.

Almacenaje

Almacene la cortadora en lugar seguro fuera del alcance de los niños y personas no calificadas para su uso.

- Detenga el motor girando el interruptor de arranque del motor a la posición STOP.
- Coloque la palanca de control de velocidad en la posición STOP.
- Si exista riesgo de congelamiento, se debe drenar el refrigerante de agua que exista en la caja de cambios de la máquina.

En el caso del transporte y almacenamiento del combustible y la batería, consulte la sección 'Manipulación de combustible' y 'Manipulación de la batería'.

Para obtener más detalles sobre el transporte y el almacenamiento de los discos, consulte el apartado «Discos».

Almacenamiento prolongado

Antes del almacenaje prolongado, limpie bien la máquina y haga el servicio completo.

- Extraiga el disco y almacénelo con cuidado.
- Engrase todas las boquillas antes del almacenamiento.
- Desconecte el terminal negativo y guárdelo a una distancia segura de la batería.
- Cargue la batería de manera lenta y continua durante un almacenamiento prolongado.
- Cuando almacene la máquina durante períodos prolongados, el depósito de combustible debe estar lleno. Esto minimizará la condensación de agua en el sistema de combustible.
- Guarde la máquina y el equipo en un lugar seco y protegido de la escarcha.
- If the machine is stored outside, cover the machine.
- Compruebe que el punto de congelamiento del refrigerante del motor sea el adecuado para las temperaturas en que se almacenará la máquina.
- Drene el agua de la caja de cambios
- Verifique y vacíe el agua del separador de agua del filtro de combustible.
- Cambie el aceite del motor después de un almacenamiento prolongado

Ajuste de la velocidad del eje/la caja de cambios del disco/motor



¡ATENCIÓN! El operador o las personas de la zona de trabajo pueden sufrir graves lesiones si la velocidad de rotación (n/min) del disco de diamante sobrepasa la velocidad máxima (n/min) marcada en el disco de diamante.

Velocidad del motor

No es necesario modificar la velocidad del motor establecida en fábrica. Si desea obtener más información, consulte el apartado de «Datos técnicos».

Velocidad del eje del disco

Se debe verificar la velocidad del eje del disco en estas máquinas antes de instalar el disco en la máquina.

Nunca instale un disco de diamante si la velocidad de rotación del eje del disco (n/min) de la máquina es superior a la velocidad máxima (n/min) marcada en el disco de diamante.

Es posible que se deban cambiar la polea del eje del disco, la brida exterior y la brida interior si se modifica el diámetro del disco de diamante.

FUNCIONAMIENTO

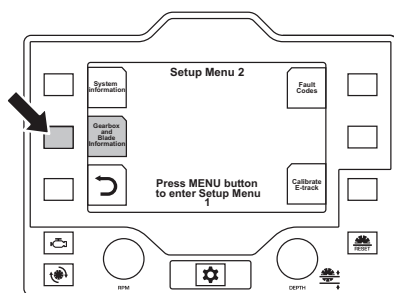
Modelo de caja de cambios de una velocidad

Cada modelo de sierra con caja de cambios de velocidad única, como se envía desde la fábrica, está configurado para funcionar con un tamaño específico de disco dentro de la protección del disco instalada en la máquina. Si un disco de un tamaño se debe cambiar por otro de otro tamaño, dentro de los tamaños disponibles, entonces se debe modificar la configuración de la unidad de disco.

Para obtener más información sobre la gama completa de tamaños de hojas disponibles, comuníquese con su proveedor de servicios o ventas local.

Si se cambia de un disco de diamante pequeño a uno muy grande o vice versa, con una caja de cambios de velocidad única, siga estos pasos:

- Poleas del eje del disco
- Poleas de la caja de cambios
- Bridas del eje del disco
- Correas
- Protección de la hoja
- Ingrese a la información de la caja de cambios y el disco dentro del menú de configuración 2 de la pantalla para ver las especificaciones de la configuración que desea.



Consulte las tablas de conversión de tamaños de disco bajo el encabezado 'Conversión de tamaño de disco' para obtener información específica de las piezas necesarias. Comuníquese con su distribuidor de Husqvarna para realizar pedidos.

Ejemplo: FS7000 DL Modelo de caja de cambios de una velocidad

Para cambiar de una unidad de 20"/500 mm a una de 36"/900 mm:

- 1 Cambie las poleas de la caja de cambios del motor de un diámetro de 4,51"/114,5 mm a un diámetro de 3,5"/89 mm.
- 2 Cambie las poleas del eje del disco de un diámetro de 4,17"/106 mm a un diámetro de 5,75"/146 mm.
- 3 Cambie las bridas del eje del disco (interior y exterior) de 4,5"/114 mm a 6"/152,5 mm
- 4 Cambie la protección del disco de 20"/500 mm a 36"/900 mm
- 5 Cambie la correa de 450"/11430 mm a 460"/11684 mm
- 6 La velocidad del motor no cambia

ENGINE SPEED / BLADE SIZE (FS 5000 D)						
BLADE SIZE	FLANGE SIZE	BLADE SHAFT		ENGINE SPEED		
		LOADED RPM	PULLEY SIZE	RATED RPM	PULLEY SIZE	
14"	4.5"	3200	4.17"	3000	6"	
20"	4.5"	2400	4.17"	3000	4.51"	
26"	5"	1870	4.17"	3000	3.50"	
30"	5"	1630	4.78"	3000	3.50"	
36"	6"	1360	5.75"	3000	3.50"	

FS 5000 D						
BLADE SIZE	FLANGE SIZE	RPM	BLADE SHAFT PULLEY SIZE	RPM	ENGINE SPEED PULLEY SIZE	
350mm	114mm	3200	106mm	3000	152.5mm	
500mm	114mm	2400	106mm	3000	114.5mm	
650mm	127mm	1870	106mm	3000	89mm	
750mm	127mm	1630	121.5mm	3000	89mm	
900mm	152.5mm	1360	146mm	3000	89mm	

ENGINE SPEED / BLADE SIZE (FS 5000 D)						
BLADE SIZE	FLANGE SIZE	BLADE SHAFT		ENGINE SPEED		
		LOADED RPM	PULLEY SIZE	RATED RPM	PULLEY SIZE	
14"	4.5"	3200	4.17"	3000	6"	
20"	4.5"	2400	4.17"	3000	4.51"	
26"	5"	1870	4.17"	3000	3.50"	
30"	5"	1630	4.78"	3000	3.50"	
36"	6"	1360	5.75"	3000	3.50"	

FUNCIONAMIENTO

Modelo de caja de cambios de tres velocidades



¡ATENCIÓN! El operador o las personas de la zona de trabajo pueden sufrir graves lesiones si la velocidad de rotación (n/min) del disco de diamante sobrepasa la velocidad máxima (n/min) marcada en el disco de diamante.



¡NOTA! Nunca cambie las marchas con el motor en funcionamiento. Se podría dañar la caja de cambios. Nunca cambie de marcha antes de revisar la configuración de la unidad de disco.

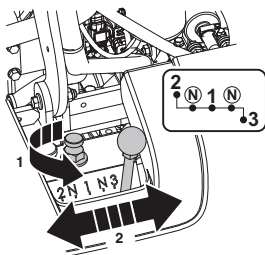
Cambio de marchas



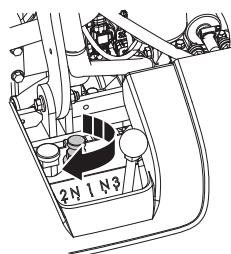
¡ATENCIÓN! Después de cambiar el engranaje, apriete la perilla y apriete la tuerca de inmovilización o la caja de cambios podría dañarse.

La caja de cambios de tres velocidades tiene tres velocidades y dos posiciones neutras disponibles. Puede cambiar la caja de cambios a marcha neutra si necesita eliminar la rotación del disco mientras el motor está en funcionamiento. Si la máquina está equipada con embrague de disco opcional, el embrague del disco se puede desacoplar para eliminar la rotación del disco mientras el motor está en funcionamiento.

- Coloque el interruptor de arranque del motor en la posición STOP. Apague siempre el motor antes de cambiar de marcha.
- Verifique que el tamaño de la polea, el tamaño de la brida y la velocidad del eje del disco sean los correctos para el tamaño de disco montado en la máquina.
- Afloje la tuerca de inmovilización. Gire la perilla dos veces.
- Mueva la palanca de cambio de la caja de cambios a la marcha requerida. Si resulta difícil realizar cambios en la caja de cambios, es posible que un leve movimiento del eje del disco facilite el desplazamiento de la palanca de cambios hacia la posición correcta.



- Apriete la perilla. Apriete la tuerca de inmovilización (40 Nm/30 pies-libras).



Una máquina equipada desde fábrica con una caja de cambios de tres velocidades está diseñada para minimizar los ajustes necesarios para los cambios de tamaño del disco. Sin embargo, necesitará algunos ajustes. La máquina está configurada desde fábrica para funcionar con un rango específico de tamaños de disco dentro de la protección del disco instalada en la fábrica.

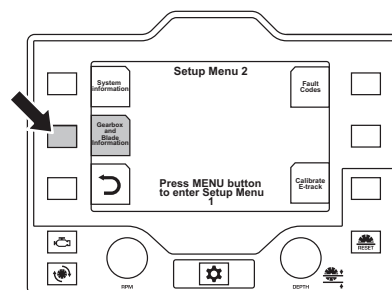
Hay cuatro configuraciones posibles para la unidad en estas máquinas:

- 20-36, para discos de 20" a 36" (500 a 900 mm)
- 26-42, para discos de 26" a 42" (650 a 1000 mm)
- 750 a 1200, para hojas de 750 a 1200 mm (30 pulg. a 48 pulg.)
- 900 a 1500, para hojas de 900 a 1500 mm (36 pulg. a 60 pulg.)

Si un disco de un tamaño se debe cambiar por otro de otro tamaño, **dentro de** la configuración actual, entonces solo se debe cambiar la marcha.

Si un disco de un tamaño se debe cambiar por otro, **fuera de** la configuración actual, entonces se debe cambiar la configuración de la unidad de disco.

- Ingrese a la información de la caja de cambios y el disco dentro del menú de configuración 2 de la pantalla para ver las especificaciones de la configuración que desea.



Consulte las tablas de conversión de tamaños de disco bajo el encabezado 'Conversión de tamaño de disco' para obtener información específica de las piezas necesarias.

FUNCIONAMIENTO

Por ejemplo:

Para cambiar el tamaño de disco en una configuración de unidad de disco de FS7000 DL de tres velocidades, 650-1000/26–42 **dentro** de este rango, solo se necesita mover la palanca de cambio de la caja de cambios a la posición correcta (1,2 o 3).

Si el tamaño de disco requerido está **fuera** del rango de configuración de la unidad de disco, por debajo (20"/500 mm) o por encima (30"/750 mm) en el caso de este ejemplo, entonces se debe modificar la configuración de la unidad de disco. Esto podría requerir cambiar las marchas, cambiar las poleas del eje del disco, las poleas de la caja de cambios, las correas y las bridas del eje del disco.

Ejemplo: FS7000 DL Modelo de caja de cambios de tres velocidades

Para cambiar un modelo de caja de cambios de tres velocidades de una unidad de 30"/900 mm a una de 42"/1000 mm:

- 1 Primero determine la configuración de la unidad de la máquina actual. Esta debería corresponder con el diámetro de eje de disco instalado en la sierra.
- 2 Si la configuración de la unidad de disco actual es FS7000 DL de tres velocidades, 26–42/650-1000, la brida actual debería ser de 7"/178 mm, lo que resulta correcto cuando se utiliza un disco de 42"/1000 mm.

GEARBOX RANGE / BLADE RPM (26-42, FS 7000 DL)					
GEAR	BLADE SIZE (Inches)	FLANGE SIZE	BLADE RPM	ENGINE PULLEY	
			RPM	RPM	PULLEY
3	26"	7"	1860	2600	4.29"
2	36"		1300	5.75"	
1	42"		1110		

GEARBOX RANGE / BLADE RPM (650-1000, FS 7000 DL)					
GEAR	BLADE SIZE (mm)	FLANGE SIZE	BLADE RPM	ENGINE PULLEY	
			RPM	RPM	PULLEY
3	650mm	178mm	1860	2600	109mm
2	900mm		1300	146mm	
1	1000mm		1110		

- 3 Verifique que se haya instalado una correa con el diámetro correcto. Consulte las tablas de conversión de tamaños de disco en la pantalla para obtener información específica.
- 4 Cambie la marcha de 3 a 1.
- 5 Verifique que la configuración de unidad de disco instalada y la velocidad del eje del disco correspondan con la información en pantalla, en la sección 'Información de marcha y disco' dentro del menú de configuración 2.

O.

- 1 Si la configuración de mando de la máquina actual es de 3 velocidades de 500 a 900/20 a 36, la brida debe ser de 152 mm/6 pulg., la cual es muy pequeña para una hoja de 1000 mm/42 pulg. y debe reemplazarse.

GEARBOX RANGE / BLADE RPM (20-36, FS 7000 DL)					
GEAR	BLADE SIZE (Inches)	FLANGE SIZE	BLADE RPM	ENGINE PULLEY	
			RPM	RPM	PULLEY
3	20"	6"	2240	2600	4.29"
2	30"		1560	4.78"	
1	36"		1340		

GEARBOX RANGE / BLADE RPM (500-900, FS 7000 DL)					
GEAR	BLADE SIZE (mm)	FLANGE SIZE	BLADE RPM	ENGINE PULLEY	
			RPM	RPM	PULLEY
3	500mm	152mm	2240	2600	109mm
2	750mm		1560	121.5mm	
1	900mm		1340		

- 2 Cambie la polea del eje del disco de un diámetro de 4,75"/121,5 mm a 5,75"/146 mm.
- 3 Cambie la brida exterior y la brida interior de un diámetro de 6"/152 mm a 7"/178 mm.
- 4 Cambie la marcha de 3 a 1.
- 5 Cambie las correas de 58"/1473 mm a 60"/1524 mm
- 6 Verifique que la configuración de unidad de disco y la velocidad del eje del disco correspondan con la información de configuración en pantalla de la unidad FS7000 DL de tres velocidades, 26–42/650–1000, en la sección "Información de la caja de cambios y el disco" en el menú de configuración 2.

Accesorios

Juegos de conversión de protección de disco

Utilice la protección de disco del tamaño correcto para el tamaño de disco de diamante en particular que se esté utilizando. Estas son las protecciones de disco disponibles para estos discos de diamante.

Protectores de la cuchilla, pulgadas/milímetros	Tamaños de la cuchilla, pulgadas/milímetros
1500/60	900-1500/36-60
1200/48	750-1200/30-48
42/1000	26-42/650-1000
900/36	20-36/500-900

Consulte las tablas de conversión de tamaños de disco bajo el encabezado 'Conversión de tamaño de disco' para obtener información específica de las piezas necesarias.

Juegos opcionales

Juego de luces doble 585 92 46-01

Juego de bombas de agua 589 33 90-01

Equipo liviano doble CE 589 65 06-01

Equipo con quinta rueda 582 55 73-01

ARRANQUE Y PARADA

Antes del arranque



¡ATENCIÓN! Lea detenidamente el manual de instrucciones y asegúrese de entender su contenido antes de utilizar la máquina.

Utilice el equipo de protección personal. Vea las instrucciones bajo el título "Equipo de protección personal".

Asegúrese de que no haya personas desautorizadas en la zona de trabajo, de lo contrario, se corre el riesgo de ocasionar graves daños personales.

- Realice el mantenimiento diario. Consulte las instrucciones de la sección 'Mantenimiento y servicio'.
- Asegúrese de que el disco no toca en ningún objeto al arrancar la máquina.

AVISO Lea el manual de instrucciones del fabricante.

Primer uso

- Verifique el nivel de aceite del motor sin el disco y con la sierra en posición horizontal para lograr un nivel plano de la sierra.
- Conecte los cables de la batería. La unidad de sierra plana se entrega con los cables de la batería desconectados.

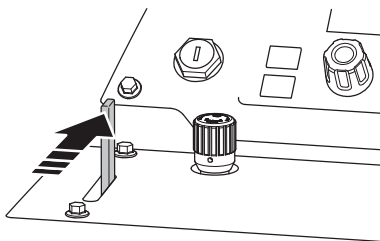
En algunos mercados, no se incluyen baterías debido a razones de seguridad durante el transporte. Instale una batería nueva.

Si desea obtener más información, consulte el apartado de «Datos técnicos».

- Verifique el nivel de refrigerante
- Verifique y configure las unidades en el panel de control (temperatura y mediciones).
- Seleccione el idioma en el panel de control

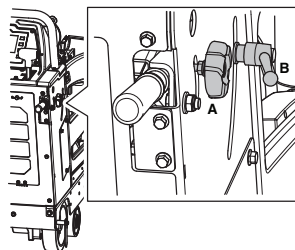
Arranque

- Conecte la máquina al suministro de agua. Cierre la válvula de agua.

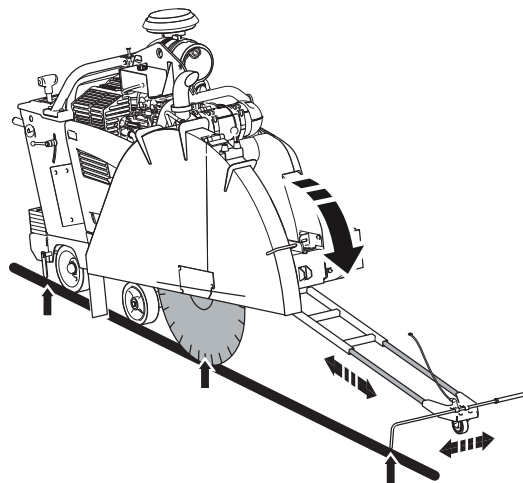


- Marque los cortes que desea realizar.

- Tire de los manillares para lograr la longitud y altura que desea y apriete las perillas.

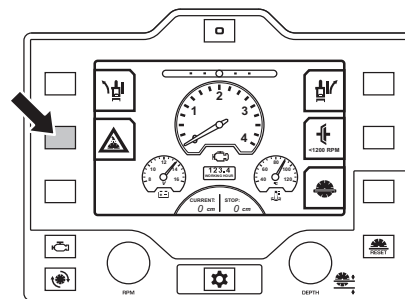


- Baje la guía delantera y alinee la guía delantera, la guía trasera y el disco de diamante con la línea de la superficie. La guía delantera es telescópica, ajuste la longitud con los tornillos de la parte interior de la guía delantera.



Arranque el motor

- Para encender la sierra cuando no exista presión del agua, desconecte el interruptor de seguridad de agua.

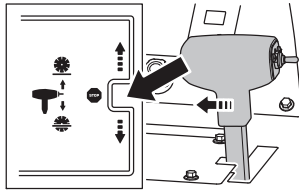


Sistema de seguridad de agua

Se utiliza agua para evitar el sobrecalentamiento del disco mientras se controla el polvo que resulta del corte. El sistema de seguridad del agua monitorea la presión del agua hacia la máquina e interrumpe el proceso de corte si la presión desciende.

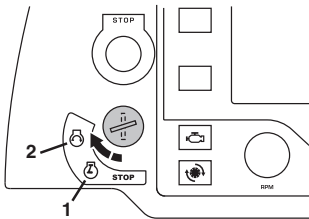
ARRANQUE Y PARADA

- Coloque la palanca de control de velocidad en la posición STOP. El motor no arrancará a menos que la palanca de control de velocidad se encuentre precisamente en la posición STOP.



AVISO Asegúrese de que la válvula de derivación de la transmisión esté cerrada en la posición hacia abajo.

- Cuando aparezca el símbolo de precalentamiento, espere que las bujías incandescentes calienten el motor. Cuando el símbolo de precalentamiento desaparezca, gire el interruptor de arranque del motor a la posición de arranque para arrancar el motor.



- Deje calentar el motor por algunos minutos con el acelerador del motor en velocidad de ralentí (mínimo).
- No caliente la máquina fuera del área de corte, con la hoja instalada y girando. Para montar el disco, consulte las instrucciones del apartado "Montaje del disco".



¡ATENCIÓN! Cuando el motor está en funcionamiento, el escape contiene sustancias químicas como monóxido de carbono e hidrocarburos sin quemar. Es sabido que el contenido de los vapores del escape causa problemas respiratorios, cáncer, defectos congénitos u otros daños en el sistema reproductor.

El monóxido de carbono no tiene color ni sabor, pero está siempre presente en los vapores de escape. Un indicio de intoxicación por monóxido de carbono es un mareo leve que podría ser o no reconocido por la víctima. Una persona podría sufrir un colapso o perder la consciencia sin previo aviso si la concentración de monóxido de carbono es demasiado alta. Como el monóxido de carbono es incoloro e inodoro, su presencia no puede detectarse. Si se detectan olores procedentes del escape, seguro que hay monóxido de carbono. Nunca use un producto con motor de combustión en interiores o en áreas confinadas sin garantizar que existe una ventilación adecuada.



¡NOTA! Preste mucha atención en las máquinas sin embrague, el disco comienza a girar cuando se encienden. Por razones de seguridad, no mueva la sierra hacia los lados o fuera de la zona de trabajo con el disco instalado y girando.

AVISO Si no se cumplen las condiciones de arranque, se indicará en la pantalla. Realice la acción indicada e intente volver a arrancar el motor.

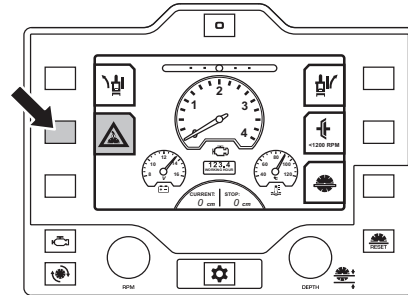
Empiece a cortar



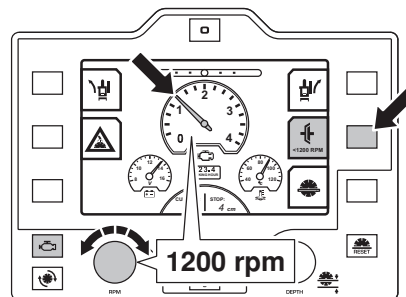
¡ATENCIÓN! No utilice nunca una hoja cuyo régimen nominal sea inferior al de la máquina. Asegúrese de que el disco está instalado correctamente.

AVISO Consulte el gráfico para conocer las velocidades adecuadas del eje del disco y del motor para los tamaños de disco específicos que aparecen en pantalla.

- Verifique que el suministro de agua sea el correcto. Un bajo nivel de flujo de agua dañará los discos de diamante. Conecte el interruptor de seguridad de agua del panel de control y abra la válvula de agua.

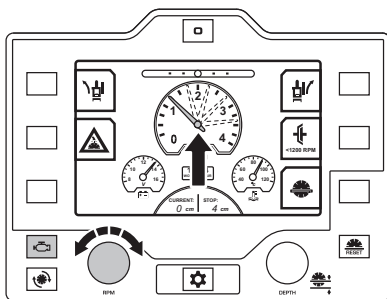


- Acople el embrague del disco (si está equipado) para conectar la unidad de disco. Solo a 1.200 rpm o menos.

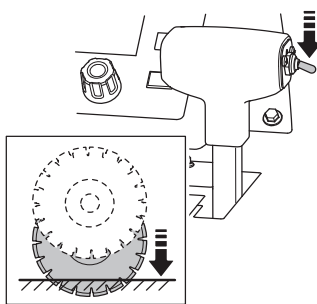


ARRANQUE Y PARADA

- Configure la perilla del acelerador del motor en rpm máximas.

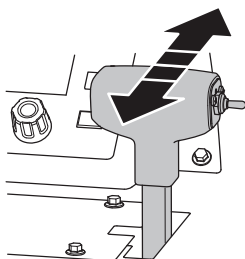


- Baje el disco. Para ello presione el interruptor de elevación/descenso en la palanca de ajuste del régimen hasta que el disco de diamante alcance la profundidad de corte deseada. Para obtener más información, consulte el apartado «Tope de profundidad del disco».



¡NOTA! Cuando baje el disco en un corte parcial, alinee el disco exactamente con el corte para evitar daños en el disco.

- Mueva la sierra lentamente hacia adelante empujando la palanca de control de velocidad. Escuche el sonido del motor. Si el motor comienza a bajar la velocidad, compense tirando de la palanca de control de velocidad hacia atrás para reducir la alimentación y evitar que el disco se atasque. Asegúrese de que la guía delantera, la guía trasera y el disco de diamante permanezcan en la línea.



Para ajustar el recorrido, consulte la sección 'Corte en línea recta'.

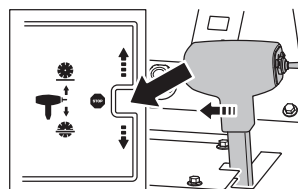
Parada



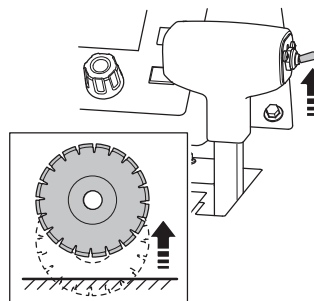
¡ATENCIÓN! Mantenga siempre todas las partes de su cuerpo alejadas del disco y de todas las demás partes móviles.

Detenga el corte

- Coloque la palanca de control de velocidad en la posición STOP.

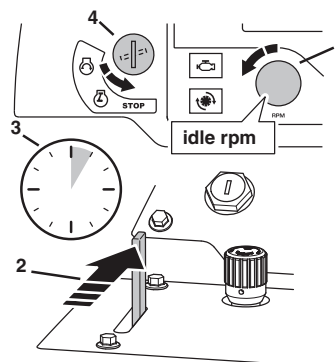


- Levante el disco de diamante para sacarlo del corte presionando el interruptor de elevación/descenso de la palanca de control hacia arriba hasta que el disco de diamante se separe de las superficies.



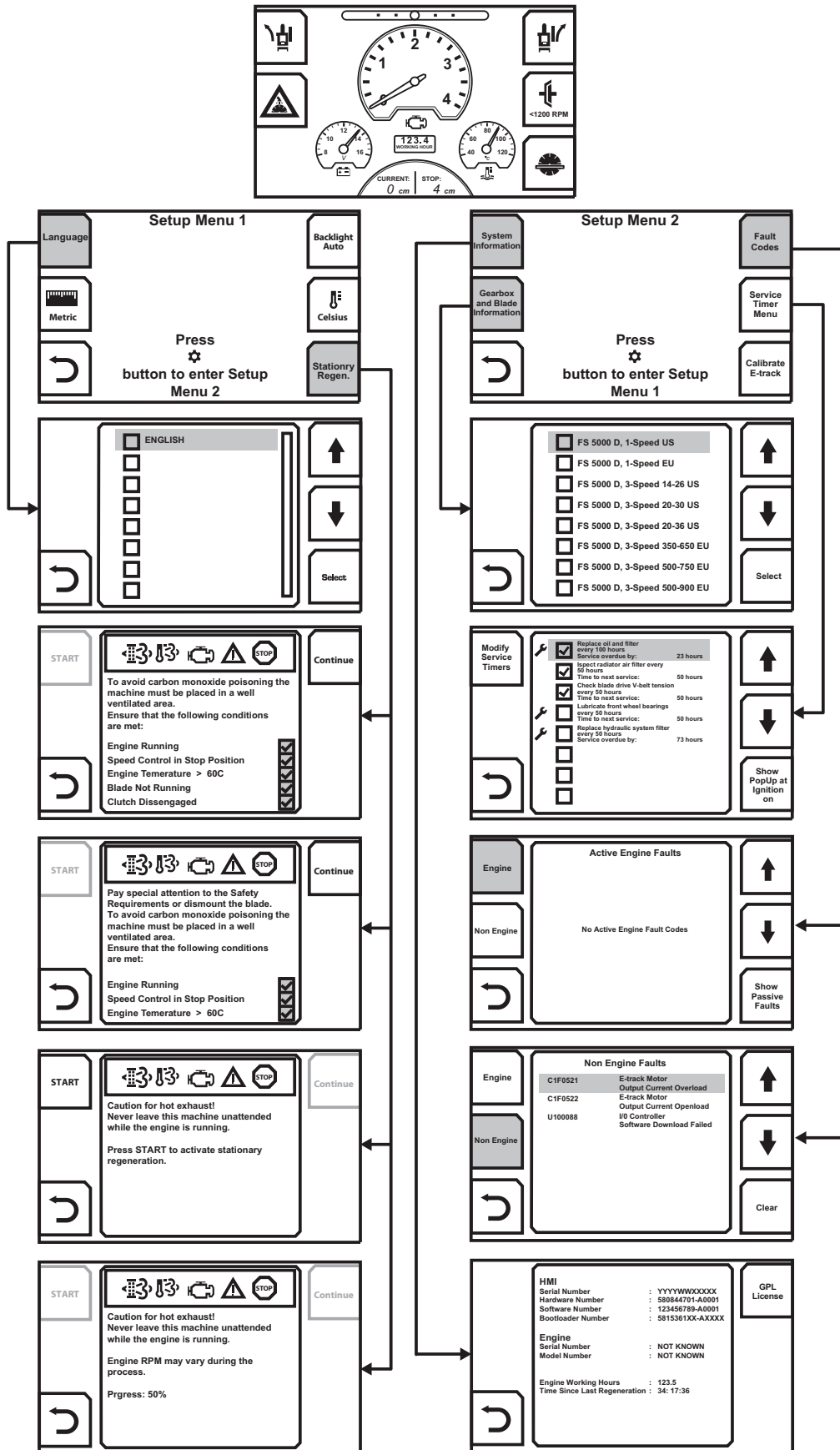
Detenga el motor

- 1 Gire la perilla del acelerador del motor a la posición de ralentí bajo.
- 2 Cierre la válvula de agua.
- 3 Deje el motor en funcionamiento en ralentí durante algunos minutos antes de apagarlo. Hágalo dentro de la zona de corte y no deje la máquina sin supervisión.
- 4 Detenga el motor girando el interruptor de arranque del motor a la posición STOP.



SISTEMA DE MENÚ

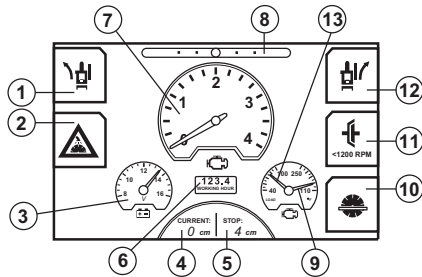
Vista general del menú



Consulte la siguiente página si desea obtener una explicación detallada de cada menú.

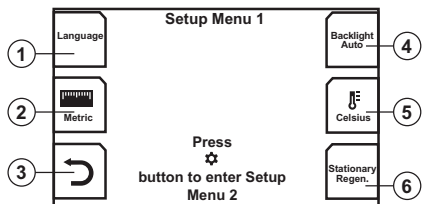
SISTEMA DE MENÚ

Explicación del sistema de menús



- 1 E-track, ajuste izquierdo
- 2 Sistema de seguridad de agua
- 3 Tensión de la batería
- 4 Profundidad actual del disco
- 5 Ajuste de detención de profundidad del disco
- 6 Tiempo de funcionamiento
- 7 Velocidad del motor o el disco
- 8 E-track, posición
- 9 Temperatura del motor
- 10 Detención de profundidad del disco
- 11 Embrague del disco
- 12 E-track, ajuste derecho
- 13 Carga del motor

Menú Configuración 1

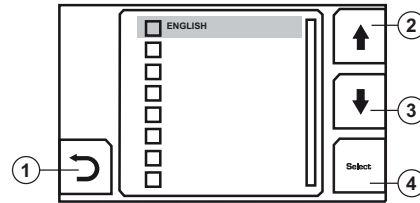


- 1 Idioma
- 2 Unidad de distancia. Alterne entre unidades de longitud métrica e imperial.
- 3 Botón de retroceso (menú anterior)
- 4 Retroiluminación. Alterne entre tres diferentes niveles de brillo y una configuración automática. La configuración por defecto es automática.
- 5 Unidad de temperatura. Alterne entre Celsius y Fahrenheit.
- 6 Regeneración estacionaria. El sistema informará cuando el filtro de partículas necesite limpieza.

Consulte las instrucciones de la sección 'Mantenimiento y servicio'.

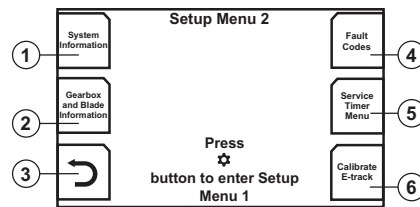
Idiomas

Selección del idioma de pantalla deseado.



- 1 Botón de retroceso (menú anterior)
- 2 Navegar al idioma anterior
- 3 Navegar al idioma siguiente
- 4 Botón de selección

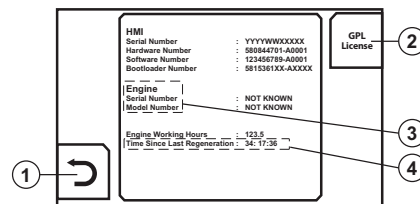
Menú Configuración 2



- 1 Información del sistema
- 2 Información de la caja de cambios y el disco
- 3 Botón de retroceso (menú anterior)
- 4 Códigos de error
- 5 Menú del temporizador de servicio
- 6 Calibrar E-track. La posición actual de E-track se convierte en la posición central.

Información del sistema

Información relacionada con el software.



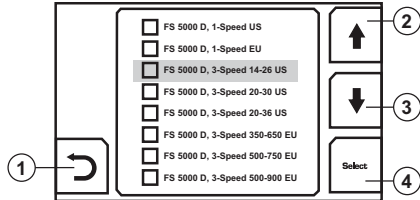
- 1 Botón de retroceso (menú anterior)
- 2 Licencia GPL
- 3 Información del motor.
- FS7000 DL ID de software.

SISTEMA DE MENÚ

Información de la caja de cambios y el disco

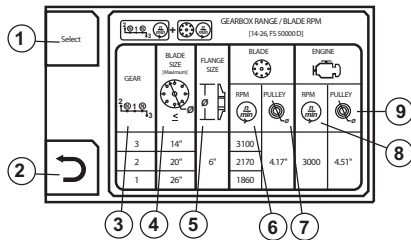
Muestra las rpm y la marcha recomendadas para los tamaños de disco disponibles.

Las tablas son distintas según si la máquina está configurada para una caja de cambios de una o tres velocidades. Seleccione su modelo de producto.



- 1 Botón de retroceso (menú anterior)
- 2 Navegar al modelo FS anterior
- 3 Navegar al modelo FS siguiente
- 4 Botón de selección

Información de caja de cambios y disco del producto seleccionado.



- 1 Botón de selección
- 2 Botón de retroceso (menú anterior)
- 3 Rango de caja de cambios (caja de cambios de tres velocidades)
- 4 Diámetro del disco de diamante, pulg/mm
- 5 Diámetro de la brida del disco, pulg/mm
- 6 Velocidad de rotación del disco de diamante
- 7 Diámetro de la polea del eje del disco, pulg/mm
- 8 Velocidad máxima de rotación del motor
- 9 Diámetro de la polea de la caja de cambios, pulg/mm

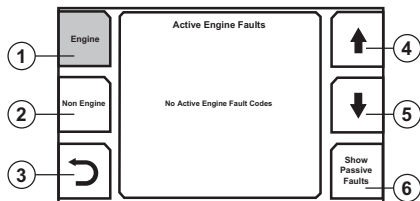
Códigos de falla

Muestra códigos de falla cuando la máquina detecta una falla.

Para obtener más información, consulte la sección 'Mantenimiento y servicio'.

Motor

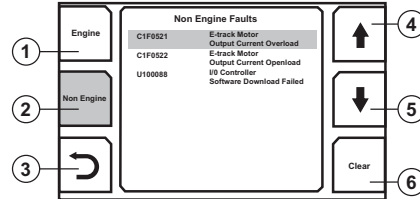
Si no hay ningún código de falla activo o pasivo o si no hay contacto entre la interfaz de usuario (HMI) y la unidad de control del motor (ECU) aparecerán mensajes con esta información.



- 1 Códigos de falla, motor *
- 2 Códigos de falla, no relacionados con el motor
- 3 Botón de retroceso (menú anterior)
- 4 Navegar al código de falla anterior
- 5 Navegar al código de falla siguiente
- 6 Alterne entre los códigos de falla activos y pasivos del motor.

* Consulte el manual de instrucciones del motor para obtener más información.

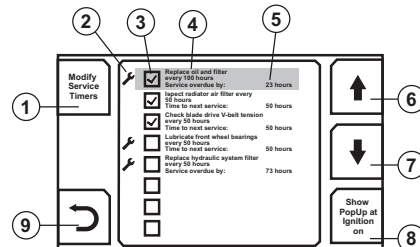
No motor



- 1 Códigos de falla, motor
- 2 Códigos de falla, no relacionados con el motor
- 3 Botón de retroceso (menú anterior)
- 4 Navegar al código de falla anterior
- 5 Navegar al código de falla siguiente
- 6 Borrar código de falla rectificado

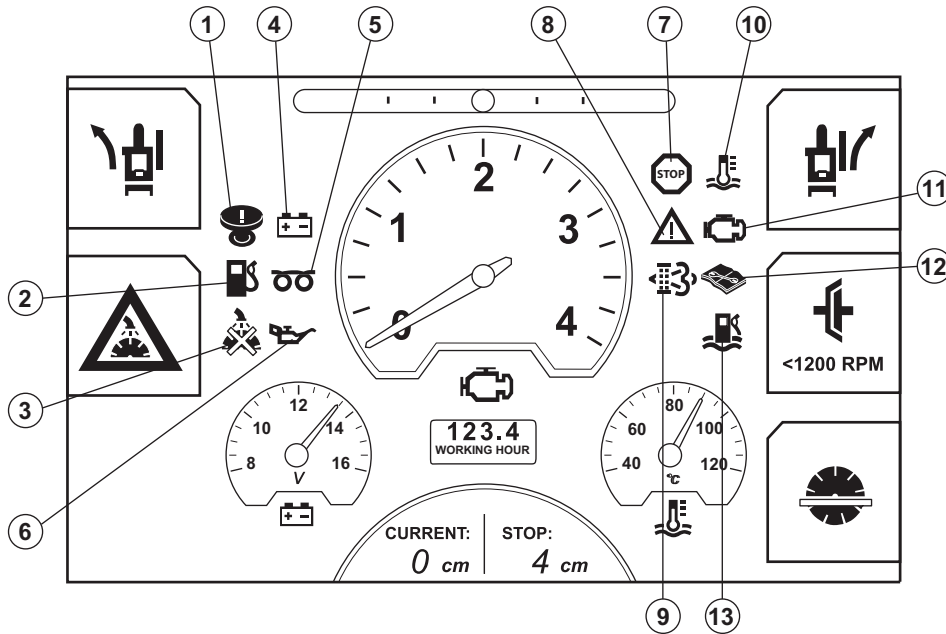
Menú del temporizador de servicio

Configuración e información del programa de servicio.



- 1 Acceda al modo de servicio. Esto requiere un código PIN.
- 2 Indicación de servicio.
- 3 Indicación de mensaje emergente del servicio.
- 4 Tipo de servicio y frecuencia con que se debe realizar.
- 5 Fecha en que el próximo servicio se va a realizar o tiempo que ha transcurrido desde que el servicio se habría realizado.
- 6 Navegue al mensaje anterior de servicio.
- 7 Navegue al siguiente mensaje de servicio.
- 8 En la pantalla se activa un mensaje emergente para el servicio cuando se prende el encendido.
- 9 Botón de retroceso (menú anterior)

SISTEMA DE MENÚ



Explicación de los símbolos de advertencia en la pantalla

1 **La máquina detenida** (desactive el botón para detener la máquina y reinicie el encendido para reactivar las funciones). Apagado cuando se reúnen las siguientes tres condiciones:

- El interruptor para encender el motor está apagado.
- La velocidad del motor recibida de la unidad de control del motor* es igual a 0 rpm durante 1 segundo o más.
- La velocidad de la cuchilla es de 0 rpm.

2 **Nivel de combustible bajo.**

3 **No hay presión de agua de disco** El interruptor de presión está abierto (no hay presión de agua) y se ha seleccionado la función de ahorro de agua.

4 **Sin carga** Encendido cuando:

- El encendido está activado y el motor no arranca.
- La tensión de la batería no ha aumentado en los 15 segundos posteriores al arranque del motor.
- La tensión de la batería es inferior a 12,8 V.
- La tensión de la batería es superior a 15 V.

(La tensión de la batería no se revisa mientras la bomba hidráulica está funcionando o durante los 15 segundos posteriores a la detención de la bomba, ya que siempre baja cuando la bomba está funcionando).

5 **Precalentamiento** Consulte el manual de instrucciones del motor para obtener más información.

Deutz: Código de fallo SO1 **

6 **Presión de aceite baja** Consulte el manual de instrucciones del motor para obtener más información.

Deutz: Código de fallo SO1 **

Cualquier unidad de control del motor, motor o sierra de piso: Código de fallo SPN 100

7 **Detención del motor.** El corte no puede continuar. Para obtener más información, consulte la sección 'Solución de problemas'.

8 **Luz de advertencia.** Problema/condición moderado del motor. El corte puede continuar. Para obtener más información, consulte la sección 'Solución de problemas'.

9 **Motor sobrecalentado.** El corte no puede continuar. Consulte el manual de instrucciones del motor para obtener más información.

Deutz: Código de fallo SO1 **

10 **Lámpara de falla del motor** siempre en combinación con pos. 7 y 8. Consulte el manual de instrucciones del motor para obtener más información.

11 **Códigos de falla activos.** Códigos de falla no relacionados con el motor activos. Para obtener más información, consulte la sección 'Solución de problemas'.

12 **Agua en el combustible**

- Deutz: Código de fallo WFI Para obtener más información, consulte la sección 'Mantenimiento y servicio'.

* Unidad de control electrónico o del motor.

** La interfaz de usuario no toma ninguna decisión por su propia cuenta. Solo muestra información procedente de la unidad de control del motor*.

MANTENIMIENTO Y REPARACIÓN

Generalidades



¡ATENCIÓN! La mayoría de accidentes con máquinas se producen durante la localización de fallos, reparación y mantenimiento, ya que el personal tiene que localizar por sí mismo la zona de riesgo de la máquina. Evite los accidentes estando alerta y planificando y preparando los trabajos con antelación.

Si las operaciones de reparación requieren que el motor esté en funcionamiento, tenga en cuenta los riesgos de trabajar con componentes móviles o cerca de ellos.

Realice las tareas de mantenimiento y reparación de conformidad con este Manual del usuario para evitar la aparición de averías y para conservar el valor de la máquina.

Asimismo, realice un mantenimiento de las herramientas y los accesorios de la máquina.

El usuario sólo puede efectuar los trabajos de mantenimiento y servicio descritos en este manual. Los trabajos de mayor envergadura debe efectuarlos un taller de servicio oficial.

Para las reparaciones, utilice solamente repuestos originales.

Medidas previas al mantenimiento, la reparación y la localización de fallos

Generalidades

- Compruebe que la máquina está situada en una zona segura.
- Estacione siempre la máquina en una superficie nivelada con el motor apagado y el interruptor de arranque del motor en la posición STOP antes de arrancar. Presione Detención de la máquina en el panel de control.
- Diversos componentes se calientan durante los trabajos realizados con la máquina. No inicie ninguna tarea de mantenimiento o reparación hasta que la máquina se haya enfriado.
- Coloque señales visibles para indicar a las personas de los alrededores que se están llevando a cabo tareas de mantenimiento.
- Controle que la zona de trabajo esté bien iluminada para lograr un entorno seguro.
- Averigüe la ubicación de los extintores de incendios, el botiquín y el teléfono de emergencia.
- Retire el disco de corte antes de realizar operaciones de mantenimiento, reparaciones o de localización de fallos.

Equipo de protección

- Utilice el equipo de protección personal. Vea las instrucciones bajo el título "Equipo de protección personal".

Entorno de trabajo

- La zona de alrededor de la máquina debe estar limpia para minimizar el riesgo de deslizamiento.

Limpieza



¡NOTA! Cuando limpie la máquina, corre el riesgo de que se le introduzcan partículas de suciedad y sustancias peligrosas en los ojos.

Cuando se utilizan equipos de alta presión es posible que la máquina expulse partículas de suciedad y sustancias peligrosas.

La limpieza con agua o aire a alta presión puede hacer que penetren partículas bajo la piel y provocar daños graves. Nunca dirija un chorro de alta presión hacia la piel.

Después de cada uso, limpie la máquina cuando se enfríe.

Método de limpieza

El método de limpieza depende del tipo de contaminantes y del nivel de suciedad de la máquina. Puede utilizar un agente desengrasante no abrasivo. Evite el contacto con la piel. Utilice lavadores de alta presión para limpiar la máquina.

Limpieza de componentes

Existe una serie de componentes que requieren especial atención en su limpieza.

AVISO No utilice lavadores de alta presión para limpiar el panel de control. Asegúrese de que la cubierta de la caja de relés y fusibles esté en su lugar antes de lavar.

Radiador

Deje que el refrigerador se enfríe antes de la limpieza. Utilice aire comprimido para limpiar las aletas de aire. Si es necesario, emplee el lavado a alta presión y producto desengrasante. Un uso incorrecto del lavado a alta presión o con aire comprimido puede deformar las aletas del refrigerador y reducir la capacidad de refrigeración.

- Rocíe directamente en el radiador, en paralelo con las aletas.
- Mantenga una distancia de al menos 40 cm entre el refrigerador y la boquilla.

Panel de control

- Limpie los componentes eléctricos con un paño o con aire comprimido. No rocíe agua sobre los componentes eléctricos. Seque el panel de control con un paño húmedo.

Motor

- Mantenga una distancia de al menos 40 cm entre la boquilla y el motor y sus componentes. No rocíe de manera muy agresiva en el motor para evitar dañar los componentes eléctricos tales como enchufes eléctricos y el alternador. No rocíe agua directamente sobre el tubo de escape o en el filtro de aire del motor.

Después del lavado

- Lubrique todos los puntos de lubricación de la máquina.
- Limpie los terminales eléctricos en seco utilizando aire comprimido.
- Deje que la máquina se seque completamente antes de arrancar.
- Preste atención cuando arranque la máquina después del lavado. Si algún componente se ha dañado debido a la humedad, los movimientos de la máquina pueden resultar defectuosos.

MANTENIMIENTO Y REPARACIÓN

Programa de mantenimiento

El programa de mantenimiento se basa en el tiempo de funcionamiento de la máquina. Es posible que se requieran intervalos de mantenimiento más frecuentes cuando se trabaja en entornos muy calurosos o con mucho polvo, así como en actividades que generan altas temperaturas. En la revisión de mantenimiento puede consultarse una descripción de cómo realizar las operaciones.

Para determinados requisitos de servicio, consulte los intervalos de servicio en el programa de servicio a continuación y lleve un registro en el servicio siguiente. La máquina mantendrá un registro de las horas de funcionamiento que se puede ver en pantalla.

- Estacione siempre la máquina en una superficie nivelada con el motor apagado y el interruptor de arranque del motor en la posición STOP antes de realizar cualquier tarea de mantenimiento. Presione Detención de la máquina en el panel de control.

Lea detenidamente el manual del motor de su máquina y asegúrese de comprender las instrucciones antes de utilizar la máquina. Existen algunos intervalos de mantenimiento especificados en el manual del motor.

En casos en que se recomienden los mismos servicios, tanto en el manual de usuario de la máquina y en el manual de usuario del motor, siga las recomendaciones de programa indicadas en este manual.

Mantenimiento Diario

El mantenimiento diario también debe llevarse a cabo después del transporte.

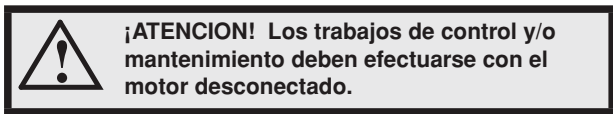
	Diaria mente	50 h	100 h	250 h	500 h	Anual mente
Verificar el nivel de refrigerante del radiador.	X					
Compruebe el nivel de aceite del motor	X					
Verificar si hay daños en la protección del disco	X					
Revise que las mangueras y las abrazaderas estén libres de daños y no estén flojas. Apriete o sustituya según sea necesario.	X					
Compruebe el indicador de restricción del purificador de aire. Limpie el filtro de aire exterior si el indicador se ilumina en rojo.	X					
Asegúrese de que todos los protectores de seguridad estén en su lugar y en buenas condiciones.	X					
Drenar el agua de refrigeración de la caja de cambios para evitar daños por oxidación o congelamiento.	X					
Verificar el chorro de agua sobre el disco de diamante.	X					
Drenar el agua del separador de agua del filtro de combustible	X					
Lubricar el pasador pivotante del cilindro hidráulico.	X					
Cambie el filtro y el aceite del motor*		X				
Revisar y limpiar el filtro de aire del radiador o sustituirlo si es necesario.		X				
Verifique la tensión de la correa de transmisión V de la cuchilla (por primera vez luego de 2 horas). La tensión debe ser uniforme en ambos lados. No tensione en exceso		X				
Lubricar las ruedas delanteras		X				
Reemplace el filtro del sistema hidráulico**		X				
Cambie el filtro y el aceite del motor*			X			
Lubricar los cojinetes pivotantes del eje delantero			X			
Verificar si hay desgaste o daños en las ruedas.			X			
Verificar si los cubos de las ruedas traseras y las ruedas están sueltos			X			
Revisar las mangueras y abrazaderas del purificador de aire del motor			X			
Verificar el nivel de fluido del sistema hidráulico			X			
Reemplace el filtro del sistema hidráulico**				X		
Lubricar el eje del disco (dos bombeos en cada extremo)				X		
Lubricar el cojinete del eje trasero.				X		
Sustituir el fluido de la caja de cambios del motor					X	
Sustituir el fluido del sistema hidráulico					X	
Sustituir el filtro de combustible del motor (tipo roscado)					X	
Enjuagar y limpiar el radiador y el sistema refrigerante					X	
Sustituir el filtro de aire exterior e interior						X
Comprobar la protección de congelamiento del refrigerante						X

* Una vez a las 50 horas y luego cada 100 horas

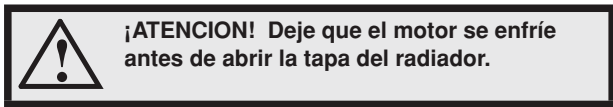
** Una vez a las 50 horas y luego cada 250 horas

MANTENIMIENTO Y REPARACIÓN

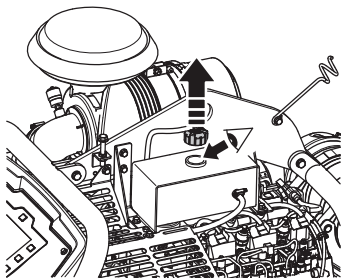
Mantenimiento Diario



Verificar el nivel de refrigerante del radiador.



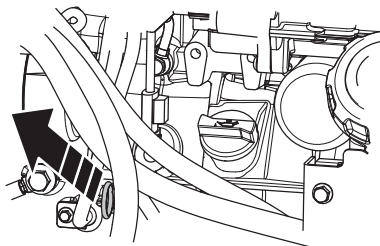
- Extraiga la tapa y mire hacia abajo, el nivel debería llegar al inicio del interior del tubo. Rellene con refrigerante si es necesario.



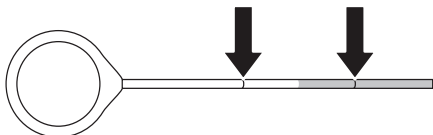
Compruebe el nivel de aceite del motor

Verifique el nivel de aceite del motor sin el disco y con la sierra en posición horizontal para lograr un nivel plano de la sierra.

- En el lado izquierdo de la sierra, compruebe el nivel de aceite del motor.

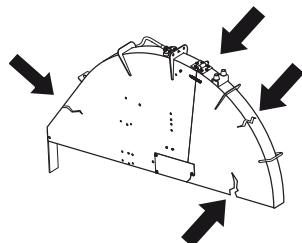


- Asegúrese de que el nivel se encuentre entre los límites.



Verificar si hay daños en la protección del disco

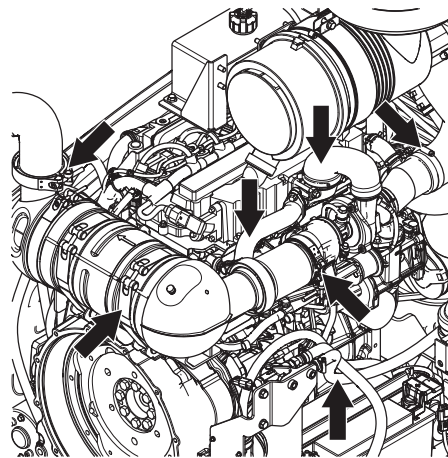
- Verifique si hay grietas en la protección del disco.



- Nunca utilice protecciones de disco rotas o dañadas.

Compruebe que todas las mangueras y abrazaderas no estén dañadas o sueltas.

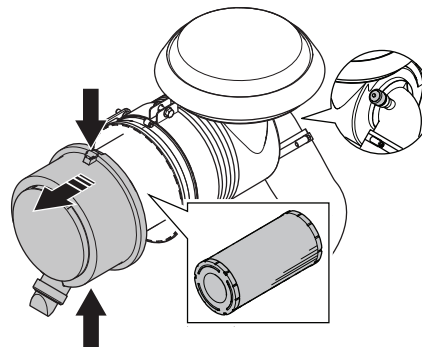
La imagen solo muestra algunas de las mangueras y abrazaderas.



- Revise si hay fugas en el sistema de combustible, hidráulico y refrigerante. Apriete y sustituya según corresponda.

Verifique el indicador de restricción del purificador de aire.

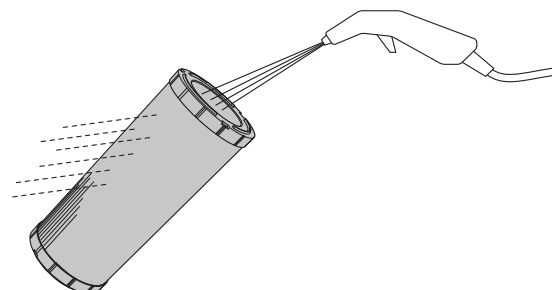
- Revise y limpie el filtro de aire exterior si el indicador del purificador de aire está en rojo, extraiga la cubierta trasera abriendo las 3 abrazaderas de la carcasa del filtro de aire y tirando de la carcasa para sacarla.



- Limpie el filtro soplando el elemento desde dentro hacia afuera.

Utilice la menor presión de aire posible para eliminar el polvo sin dañar el elemento.

Utilice 42-47 PSI (0,29-0,49 MPa; 3,0-5,0 kgf/cm²) de aire comprimido para eliminar las partículas.



MANTENIMIENTO Y REPARACIÓN

- Sustituya los filtros o las juntas con daños y compruebe que la manguera de aire y las abrazaderas no estén dañadas o sueltas. Apriete y sustituya según corresponda.

AVISO No es necesario limpiar el filtro interior diariamente. Las 3 abrazaderas de la carcasa del filtro de aire no se pueden cerrar a menos que el filtro de aire exterior esté instalado correctamente.

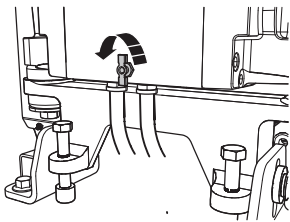
Cubiertas de protección

- Asegúrese de que todas las cubiertas de protección estén en su lugar y en buenas condiciones.

Para obtener más información, consulte la sección 'Equipo de seguridad de la máquina'.

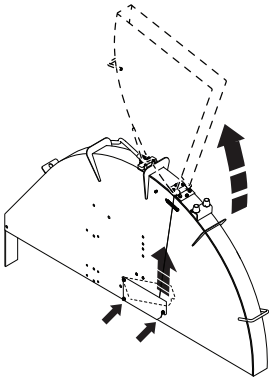
Drenar el agua de refrigeración de la caja de cambios para evitar daños por oxidación o congelamiento.

- Para drenar el agua de la caja de cambios, gire la tapa de drenaje en el sentido contrario de las agujas del reloj para abrirla y en el sentido de las agujas del reloj para cerrarla.

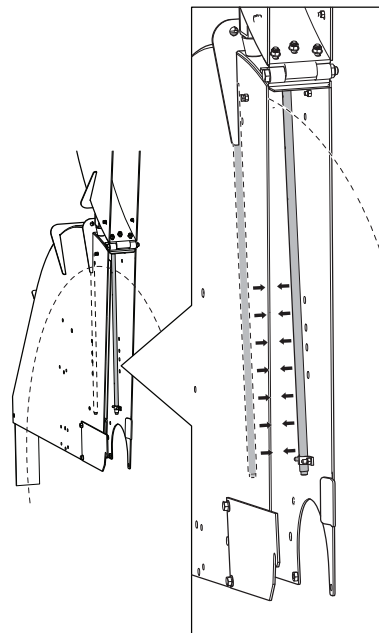


Verificar el chorro de agua sobre el disco de diamante.

Levante la protección de la hoja hacia delante y use el gancho de resorte para fijarlo en la posición vertical.

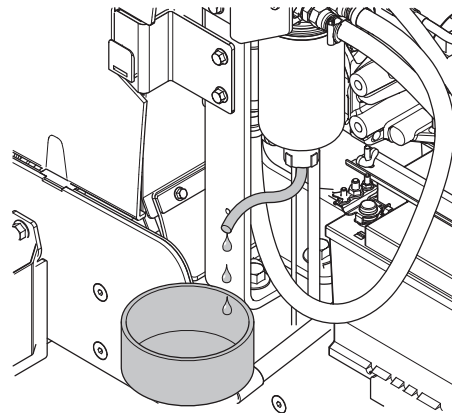


- Abra la válvula de agua en el panel de control. Asegúrese de que salgan chorros rectos de agua de los orificios en las tuberías de agua en ambos lados del disco y de que no existan fugas. Sustituya la tubería de agua en caso de presentar daños.



Drenar el agua del separador de agua del filtro de combustible

- Drene el separador de agua del filtro de combustible a través de la manguera en la parte inferior. Ponga la manguera en una botella o recipiente, afloje la tapa de drenaje y drene el agua que exista en el interior del separador.



AVISO Trate el agua como si fuera combustible y deséchela correctamente.

Tras las primeras 50 horas

Sustituir el aceite y el filtro del motor

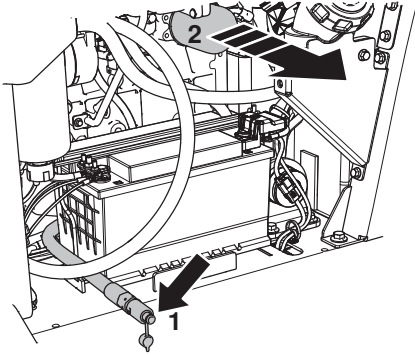
- Extraiga la tapa superior de la manguera. Abra la válvula e inclínela hacia abajo para vaciar el sistema.

Extraiga el filtro y sustitúyalo.

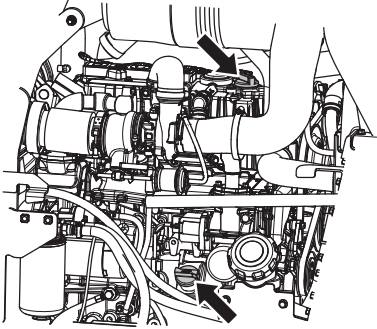
MANTENIMIENTO Y REPARACIÓN

Llene el nuevo filtro con aceite y lubrique el sello con algunas gotas de aceite antes de volver a colocarlo.

AVISO Proteja la batería de salpicaduras de aceite antes de la extracción y el reposicionamiento.



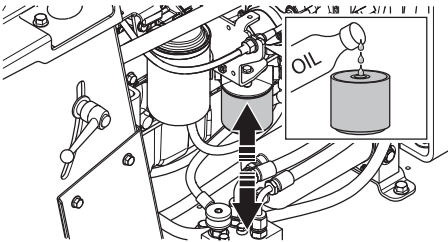
- Rellene el sistema en cualquiera de las dos ubicaciones del motor.



- Compruebe el nivel de aceite del motor, consulte las instrucciones bajo el título 'Mantenimiento diario'.

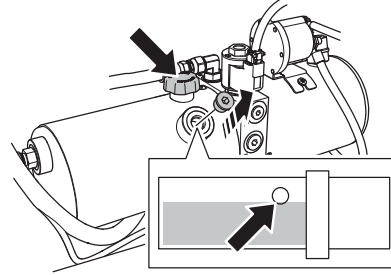
Sustituya el filtro del sistema hidráulico.

- Extraiga el filtro del sistema hidráulico. Llene el nuevo filtro con aceite y lubrique el sello con algunas gotas de aceite antes de volver a colocarlo.



- Rellene el depósito con aceite nuevo.

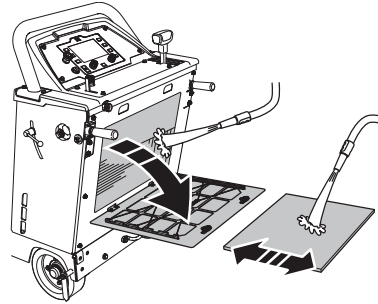
Asegúrese de que la máquina esté nivelada antes de rellenar.



AVISO No lo llene demasiado.

Mantenimiento de 50 horas

- Revisar y limpiar el filtro de aire del radiador o sustituirlo si es necesario.

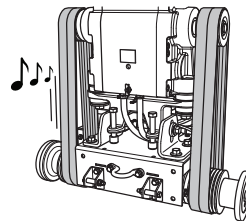


¡NOTA! Mantenga siempre el filtro de aire del radiador en su lugar

Verifique la tensión de la correa de transmisión en V.

Las correas en V se tensan correctamente en la fábrica, pero después de algunas horas de funcionamiento se estiran y aflojan. Las correas en V sueltas causan un rendimiento deficiente de la sierra y una vida útil reducida de las correas.

- Compruebe la tensión de la correa de transmisión en V del disco tirando la correa como una cuerda. La correa debería entregar un tono largo en lugar de un sonido sordo.

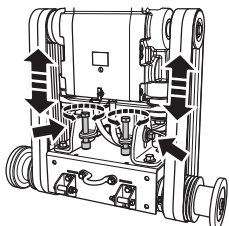


Para tensar las correas.

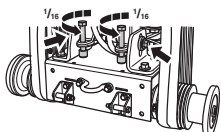
- Abra la tapa delantera. Afloje los dos pernos de bloqueo horizontales con la llave para eje de disco, levante la caja de cambios y el motor utilizando los pernos de tensión de

MANTENIMIENTO Y REPARACIÓN

la correa. Gire ambos pernos en el sentido de las agujas del reloj hasta que las correas en V estén apretadas y compruebe la correa tirando de ella nuevamente.



- Vuelva a apretar los dos pernos horizontales.
- Afloje los pernos de tensión de la correa girándolos en el sentido contrario a las agujas del reloj aproximadamente 1/16 de vuelta.



¡NOTA! Asegúrese de tensar ambos lados uniformemente, no aplique demasiada tensión.

Sustituya las correas en V solo en conjuntos completos. Siempre vuelva a tensar las correas nuevas después de 2 a 4 horas de uso.

Lubricar las ruedas delanteras

Consulte las instrucciones bajo el título 'Lubricación'.

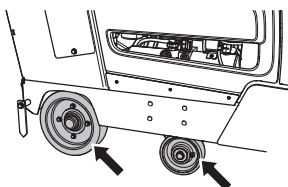
Servicio de las 100 horas

Sustituir el aceite y el filtro del motor

Consulte las instrucciones bajo el título 'Después de las primeras 50 horas'

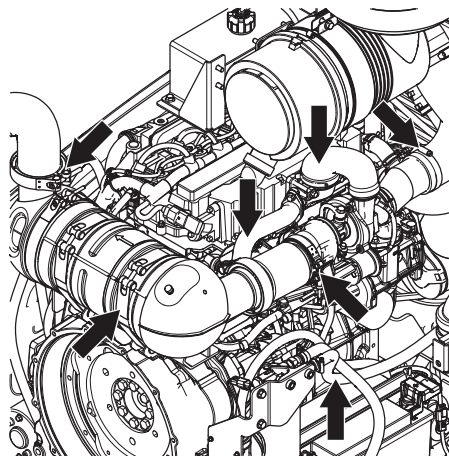
Verificar si hay desgaste o daños en las ruedas.

Verificar si los cubos de las ruedas traseras y las ruedas están sueltos



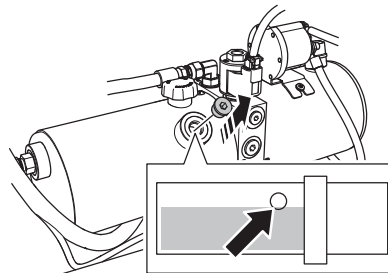
Revisar las mangueras y abrazaderas del purificador de aire del motor

La imagen solo muestra algunas de las mangueras y abrazaderas.



Verificar el nivel de fluido del sistema hidráulico

- Extraiga la tapa de la abertura de inspección del depósito hidráulico. El nivel debería estar en el borde inferior de la abertura del depósito hidráulico, rellene si es necesario.



AVISO No lo llene demasiado.

Lubricar los cojinetes pivotantes del eje delantero

Consulte las instrucciones bajo el título 'Lubricación'.

Mantenimiento de 250 horas

Sustituya el filtro del sistema hidráulico.

Consulte las instrucciones bajo el título 'Después de las primeras 50 horas'

Lubricar el eje del disco (dos bombeos en cada extremo)

Consulte las instrucciones bajo el título 'Lubricación'.

Lubricar el pasador pivotante del cilindro hidráulico.

Consulte las instrucciones bajo el título 'Lubricación'.

Lubricar el cojinete del eje trasero.

Consulte las instrucciones bajo el título 'Lubricación'.

MANTENIMIENTO Y REPARACIÓN

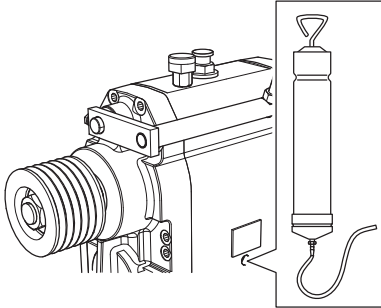
Mantenimiento de 500 horas

Sustituir el fluido de la caja de cambios del motor

Seleccione una de las siguientes opciones para drenar el fluido de la caja de cambios:

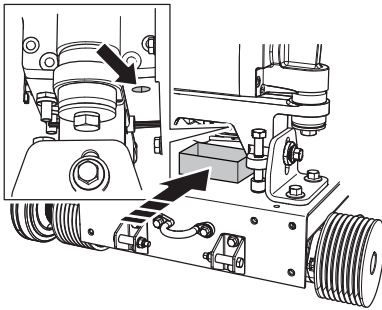
Opción 1

- Abra la ventana extrayendo la tapa y succione el aceite con un extractor de aceite.

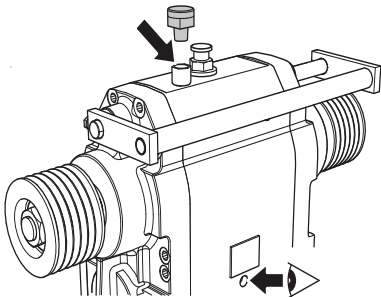


Opción 2

- Deslice un recipiente bajo la campana del motor. Afloje el tornillo y drene el aceite. Cuando el sistema esté vacío, apriete el tornillo.



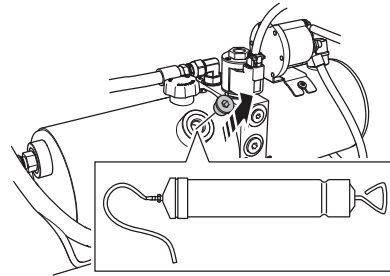
- Rellene el sistema extrayendo el tornillo izquierdo y vierta aceite en el tubo. Mire por la ventana y rellene hasta alcanzar el nivel correcto.



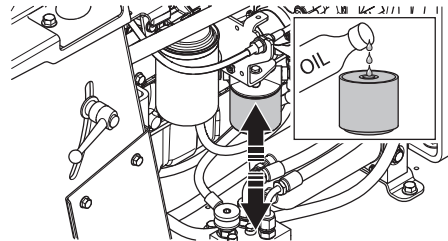
- Vuelva a instalar el tornillo y siga los pasos en orden inverso.

Sustituir el fluido del sistema hidráulico

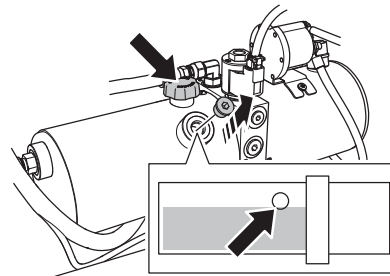
- Extraiga la tapa de la abertura de inspección del depósito hidráulico y utilice un extractor de aceite para succionar el fluido y sacarlo a través de la abertura de inspección.



- Sustituya el filtro del sistema hidráulico. Llene el nuevo filtro con aceite y lubrique el sello con algunas gotas de aceite antes de volver a colocarlo.



- Rellene el depósito con aceite nuevo. Asegúrese de que la máquina esté nivelada antes de rellenar.



AVISO No lo llene demasiado.

Sustituir el filtro de combustible del motor (tipo roscado)

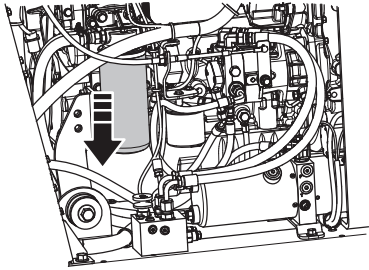
AVISO El mantenimiento del filtro de combustible se debería realizar después de cerrar la válvula del prefiltro.

Asegúrese de que la válvula esté abierta antes de arrancar el motor (consulte el manual del motor)

- Extraiga el filtro de combustible girándolo en el sentido contrario a las agujas del reloj. Cambie el filtro de combustible. Tenga presente que el diésel podría

MANTENIMIENTO Y REPARACIÓN

derramarse. Llene el nuevo filtro con diésel y lubrique el sello con algunas gotas de diésel antes de volver a colocarlo.

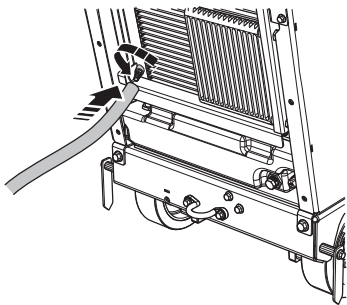


Enjuagar y limpiar el radiador y el sistema refrigerante



¡NOTA! Deje que el motor se enfríe antes de abrir la tapa del radiador.

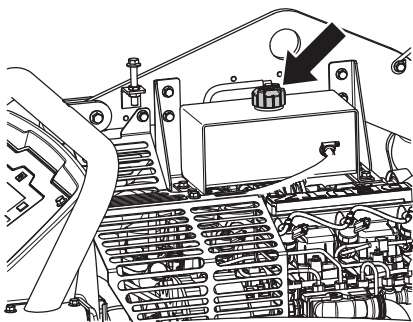
- Extraiga la cubierta posterior, coloque una extensión en la válvula y ábrala. Extraiga la tapa de la parte superior y vacíe el sistema.



- Cierre la válvula y rellene el refrigerante del radiador.

Si desea obtener más información, consulte el apartado de «Datos técnicos».

Rellene hasta que el nivel de refrigerante se encuentre entre las dos marcas de la botella de derrames de refrigerante del radiador cuando el motor esté frío.

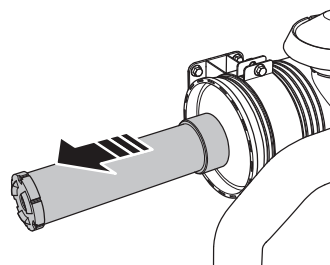
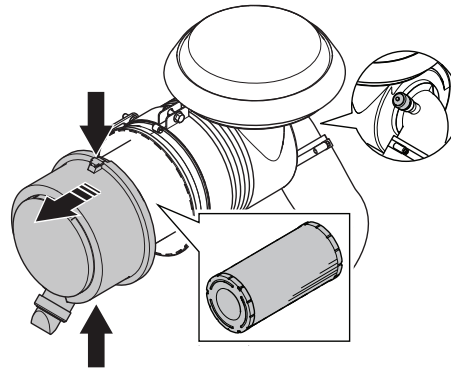


El nivel de refrigerante debería llegar al inicio del interior del tubo.

Mantenimiento anual

Sustituir el filtro de aire exterior e interior

Extraiga la tapa trasera abriendo las 3 abrazaderas de la carcasa del filtro de aire y tirando de la carcasa para sacarla. Sustituya ambos filtros y vuelva a montarlos en orden inverso.



¡NOTA! Las 3 abrazaderas de la carcasa del filtro de aire no se pueden cerrar a menos que el filtro de aire exterior esté instalado correctamente.

Comprobar la protección de congelamiento del refrigerante

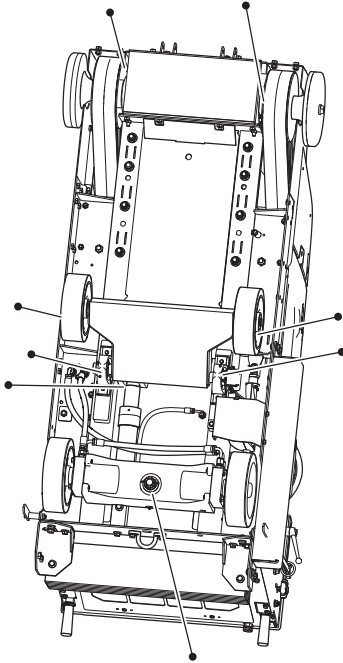
Mantenga una mezcla 50/50 de glicol y agua. Si desea obtener más información, consulte el apartado de «Datos técnicos».

MANTENIMIENTO Y REPARACIÓN

Lubricación

La imagen muestra todos los puntos de lubricación (8 boquillas de engrase). Limpie la boquilla. Sustituya las boquillas rotas u obturadas.

- Lubrique las ruedas delanteras.
- Lubrique los cojinetes pivotantes del eje delantero.
- Lubrique el eje del disco. Dos bombeos en cada extremo.
- Lubricar el pasador pivotante del cilindro hidráulico.
- Lubricar el cojinete del eje trasero.



LOCALIZACIÓN Y CORRECCIÓN DE AVERÍAS

Incidentes durante las operaciones de corte

¡NOTA! Si el motor o el disco se detiene por algún motivo, levante el disco y retírelo completamente del corte. Coloque el interruptor de arranque del motor en la posición STOP. Presione Detención de la máquina en el panel de control. Revise minuciosamente la máquina antes de volver a arrancar el motor.

- Confíe todas las reparaciones solo a su distribuidor autorizado

Problema	Mensaje en pantalla	Causa	Posible acción
El motor se detiene durante el corte	Símbolo de advertencia*	Motor sin combustible.	Llene el depósito de combustible
	No hay presión de agua de disco	El interruptor de seguridad de agua indica la falta de agua para parar el motor	Desconecte el interruptor de seguridad de agua y compruebe suministro de agua y, a continuación, arranque el motor.
	Símbolo de advertencia*		
	Se ha presionado el botón para detener la máquina: Restablezca la detención de la máquina y cicle el encendido.	Se ha pulsado el botón de parada de la máquina	Restablezca el botón para detener la máquina tirando la perilla hacia afuera.
	Símbolo de advertencia*		
		Un corte excesivamente rápido atascará el motor	Escuche el sonido del motor. Si el motor comienza a bajar la velocidad, compense tirando de la palanca de control de velocidad hacia atrás para reducir la alimentación y evitar que el disco se atasque.
el disco de diamante se detiene durante el corte		El fusible del disyuntor está fundido	Inspeccione y sustituya los fusibles
		La tensión de la correa de transmisión es inadecuada	Controle el tensado de la correa de transmisión.
		El embrague de la cuchilla (si se instaló) se ha desacoplado.	Acople el embrague del disco (si está equipado) para conectar la unidad de disco. Solo a 1.200 rpm o menos.
La sierra desciende demasiado rápido		El embrague de la cuchilla (si se instaló) tiene una falla eléctrica o un fusible fundido.	Inspeccione y sustituya los fusibles
		La válvula que controla el descenso de la sierra se abre demasiado.	Se puede ajustar la tasa de descenso de la sierra al usar la Perilla de control de velocidad de descenso de la sierra en el panel de control. Si la sierra baja muy rápido, gire la perilla en el sentido de las agujas del reloj hasta que se fije una velocidad de descenso adecuada.
El disco corta con demasiada lentitud.		El disco se ha desafilado o la presión de alimentación es demasiado alta	Disminuya la profundidad de corte y el régimen del motor durante un breve espacio de tiempo
La unidad de control se reinicia durante el arranque		La tensión de la batería es demasiado baja	Cargue la batería, cámbiela o utilice cables de arranque

* Para obtener más información acerca de los símbolos de advertencia, consulte la sección 'Sistema de menú'.

LOCALIZACIÓN Y CORRECCIÓN DE AVERÍAS

Mensajes de fallo

Código de fallo	Mensaje en pantalla	Descripción DTC	Indicación en máquina	Posible acción
U100087	Controlador I/O	Sin comunicación CAN	No se puede prender el motor. No se puede controlar ninguna función de la máquina.	Verifique si los conectores X1, X4, X14 o el arnés de chasis están dañados. Si lo están, repare y reinicie el sistema, restablezca el código de falla.
U100088	Controlador I/O	Falla en la descarga del software		Si el problema persiste, comuníquese con el encargado de servicio para obtener más información.
P060745	IOC MPU	Falla en la memoria del programa		Contacte con su taller de servicio.
P060742	IOC MPU	Falla en la memoria en general		Póngase en contacto con su taller de servicio para obtener más información.
C1F0612	Señal de arranque	Cortocircuito a la batería	No se puede prender el motor.	Verifique si el interruptor principal, los conectores del interruptor principal X30, X32 o el arnés están dañados. Si lo están, repare y reinicie el sistema, restablezca el código de falla.
C1E0111	Señal del sensor de la profundidad de la cuchilla	Cortocircuito a tierra	No se puede mostrar la profundidad de la cuchilla. El botón de detención de la profundidad de la cuchilla no se puede utilizar.	Desconecte el sensor y restablezca el código de fallo. Si el código de fallo ya no existe, verifique el sensor y el cableado del sensor.
C1E0112	Señal del sensor de la profundidad de la cuchilla	Cortocircuito a la batería		Verifique si los conectores X13 y X14 o el cableado a los sensores están dañados. Si lo están, repare y reinicie el sistema, restablezca los códigos de falla.
C1D0115	Motor de partida	Cortocircuito a la batería o circuito abierto	El motor de partida no se puede controlar. No se puede seguir cortando.	Póngase en contacto con su taller de servicio para obtener más información.
C1D0111	Motor de partida	Cortocircuito a tierra	No se puede prender el motor.	Verifique si los conectores y el cableado X14 y X1 están dañados. Si lo están, repare y reinicie el sistema, restablezca el código de fallo.
C1D0711	Dispositivo externo de alimentación	Cortocircuito a tierra	El corte no puede continuar.	Si el problema persiste, comuníquese con el encargado de servicio para obtener más información.
C1D0712	Dispositivo externo de alimentación	Cortocircuito a la batería	Es posible que no pueda leer los valores del sensor.	Verifique los siguientes cables: al sensor de profundidad de la cuchilla y el sensor correspondiente al sensor de posición del seguimiento electrónico y el sensor correspondiente al interruptor de encendido neutro y el interruptor correspondiente al interruptor de descenso/elevación y el interruptor correspondiente al interruptor de ahorro de agua y el interruptor correspondiente
C1D0815	AUX1	Cortocircuito a la batería o circuito abierto	HMI no puede controlar AUX1.	Verifique el relé K4 en la caja de fusibles/relés.
C1D0811	AUX1	Cortocircuito a tierra		Verifique si el conector X14, el cableado a la caja de fusibles/relés y el conector de la caja de fusibles/relés están dañados. Si lo están, repare y reinicie el sistema, restablezca el código de fallo.
C1D0215	AUX2	Cortocircuito a la batería o circuito abierto	La interfaz de usuario no puede controlar el AUX2 (quinta rueda).	Si el problema persiste, comuníquese con el encargado de servicio para obtener más información.
C1D0211	AUX2	Cortocircuito a tierra		Verificar el relé K5 en la caja de fusibles/relés. Verifique si el conector X14, el cableado a la caja de fusibles/relés y el conector de la caja de fusibles/relés están dañados. Si lo están, repare y reinicie el sistema, restablezca el código de fallo.
				Si el problema persiste, comuníquese con el encargado de servicio para obtener más información.

LOCALIZACIÓN Y CORRECCIÓN DE AVERÍAS

C1D0315	Embrague del disco	Cortocircuito a la batería o circuito abierto	HMI no puede controlar el embrague de la cuchilla. La cuchilla podría estar acoplada o desacoplada todo el tiempo.	Verifique el K7 en la caja de fusibles/relés.
C1D0311	Embrague del disco	Cortocircuito a tierra		Verifique si el conector X14, el cableado a la caja de fusibles/relés y el conector de la caja de fusibles/relés están dañados. Si lo están, repare y reinicie el sistema, restablezca el código de fallo. Si el problema persiste, comuníquese con el encargado de servicio para obtener más información.
C1D0615	Bomba de agua	Cortocircuito a la batería o circuito abierto	HMI no puede controlar la bomba de agua. Probablemente no se podrá prender.	Verifique el K2 en la caja de fusibles/relés. Verifique si el conector X14, el cableado a la caja de fusibles/relés y el conector de la caja de fusibles/relés están dañados. Si lo están, repare y reinicie el sistema, restablezca el código de fallo.
C1D0611	Bomba de agua	Cortocircuito a tierra	No se puede prender la bomba de agua.	Si el problema persiste, comuníquese con el encargado de servicio para obtener más información.
C1D0915	Luz de trabajo	Cortocircuito a la batería o circuito abierto	HMI no puede controlar la luz de trabajo. Probablemente no se podrá prender.	Verifique el relé de la luz de trabajo K3 en la caja de fusibles/relés. Verifique si el conector X14, el cableado a la caja de fusibles/relés y el conector de la caja de fusibles/relés están dañados. Si lo están, repare y reinicie el sistema, restablezca el código de fallo.
C1D0911	Luz de trabajo	Cortocircuito a tierra		Si el problema persiste, comuníquese con el encargado de servicio para obtener más información.
C1D0C15	Encendido	Cortocircuito a la batería o circuito abierto	No se puede prender el motor.	Yanmar: Verifique el K8 en la caja de fusibles/relés. Verifique si el conector X14, el cableado a la caja de fusibles/relés y el conector de la caja de fusibles/relés están dañados. Si lo están, repare y reinicie el sistema, restablezca el código de fallo. Verifique también el botón para detener la máquina (X33) y X30. Si el problema persiste, comuníquese con el encargado de servicio para obtener más información.
C1D0C11	Encendido	Cortocircuito a tierra		Deutz: Verifique si los conectores y el cableado X14 y X1 están dañados. Si lo están, repare y reinicie el sistema, restablezca el código de fallo. Si el problema persiste, comuníquese con el encargado de servicio para obtener más información.
C1D0D15	Bomba de elevación hidráulica	Cortocircuito a la batería o circuito abierto	La bomba de elevación hidráulica no puede utilizarse para levantar la cuchilla.	Verifique el K6 en la caja de fusibles/relés. Verifique si el conector X14, el cableado a la caja de fusibles/relés y el conector de la caja de fusibles/relés están dañados. Si lo están, repare y reinicie el sistema, restablezca el código de fallo.
C1D0D11	Bomba de elevación hidráulica	Cortocircuito a tierra	La bomba de elevación hidráulica no puede utilizarse para levantar la cuchilla.	Si el problema persiste, comuníquese con el encargado de servicio para obtener más información.
C1D0E15	Válvula de descenso hidráulico	Cortocircuito a la batería o circuito abierto	La válvula de descenso hidráulico no puede utilizarse para bajar la cuchilla.	Verifique que la válvula hidráulica esté adecuadamente conectada. Verifique si el conector X14, el cableado y la válvula hidráulica están dañados. Si lo están, repare y reinicie el sistema, restablezca el código de fallo.
C1D0E11	Válvula de descenso hidráulico	Cortocircuito a tierra		Verifique si el conector X14, el cableado y la válvula hidráulica están dañados. Si lo están, repare y reinicie el sistema, restablezca el código de fallo. Si el problema persiste, comuníquese con el encargado de servicio para obtener más información.

LOCALIZACIÓN Y CORRECCIÓN DE AVERÍAS

C1E0511	Sensor de posición del seguimiento electrónico	Cortocircuito a tierra	Puede seguir cortando, pero la posición del seguimiento electrónico no se puede detectar hasta que se repare el desperfecto.	Verifique si el impulsor, el conector y el cableado están dañados. Si lo están, repare y reinicie el sistema, restablezca el código de falla y vuelva a calibrar.
C1E0512	Sensor de posición del seguimiento electrónico	Cortocircuito a la batería		Si el problema persiste, comuníquese con el encargado de servicio para obtener más información.
C1F0112	Motor A seguimiento electrónico	Cortocircuito a la batería	Puede seguir cortando, pero el seguimiento electrónico no se puede utilizar para compensación de deriva hasta que se repare el desperfecto.	Desconecte el sensor del seguimiento electrónico y restablezca el código de fallo. Presione los botones de seguimiento izquierdo y derecho para intentar controlar el seguimiento electrónico. Si el código de fallo no aparece, vuelva a verificar si el impulsor, el cableado y el conector del seguimiento electrónico presentan daños. (Como el seguimiento electrónico no está conectado, pueden aparecer los códigos de fallo C1E0511 y C1E0512).
C1F0111	Motor A seguimiento electrónico	Cortocircuito a tierra		Si aún existe el código de fallo, verifique si el conector y el cableado que cubre el motor están dañados. Si lo están, repare y restablezca los códigos de fallo.
C1F0212	Motor B seguimiento electrónico	Cortocircuito a la batería		Si el problema persiste, comuníquese con el encargado de servicio para obtener más información.
C1F0211	Motor B seguimiento electrónico	Cortocircuito a tierra		
C1F0521	Motor de seguimiento electrónico	Sobrecarga de corriente de salida	Puede seguir cortando, pero el seguimiento electrónico no se puede utilizar para compensación de deriva hasta que se repare el desperfecto.	Verifique si el seguimiento electrónico está atascado o encasquillado; de ser así, solucione el problema y restablezca los códigos de fallo. Vuelva a encender el seguimiento electrónico luego de 1 minuto. Si el código de fallo todavía existe, comuníquese con el encargado de servicio para obtener más información.
C1F0513	Motor de seguimiento electrónico	Circuito abierto	Puede seguir cortando, pero el seguimiento electrónico no se puede utilizar para compensación de deriva hasta que se repare el desperfecto.	Verifique la conexión entre el cableado de seguimiento electrónico y el cableado que cubre el motor. Verifique la conexión entre el actuador de seguimiento electrónico y el cableado de seguimiento electrónico. Verifique si el cableado y el seguimiento electrónico están dañados. Si lo están, repare y restablezca los códigos de fallo.
U100187	ECU del motor	Sin comunicación CAN	No se puede seguir cortando. No hay información disponible desde ECU.	Si el problema persiste, comuníquese con el encargado de servicio para obtener más información.
				Verifique si los conectores X1, X4, X14 o el cableado están dañados. Si lo están, repare y reinicie el sistema, restablezca el código de falla.
				Si el problema persiste, comuníquese con el encargado de servicio para obtener más información.

DATOS TECNICOS

Batería

	FS7000 DL
Tipo de terminal	Norma SAE
Tensión, V	12
CCA, A	765
Tamaño máximo (LxPxA), mm/pulg.	316x175x190 / 12-7/16x6-7/8x7-1/2

Fluido hidráulico y lubricantes

Líquido hidráulico

Calidad	Estándar
SAE 15W40	API Class SE
	API Class CC
	API class CD

Lubricantes

Componente	Model	Calidad	Estándar	Capacidad del depósito de aceite, litros/ cuarto de galón
Aceite del motor (solo aceite de bajo contenido de cenizas)	FS7000 DL	SAE 15W40 o SAE 10W30	API CJ-4	9/8,5
			ACEA E6-08	
			ACEA E9-08	
Aceite de la caja de cambios	(caja de cambios de tres velocidades)	SAE 75W90		1,87/1,77
	(Caja de cambios de 1 velocidad)			1/0,95
Puntos de lubricación (placa base)*		NLGI 2	SAE J310	

* Consulte las instrucciones de la sección 'Mantenimiento y servicio'.

Fluido refrigerante

Glicol etileno y agua, mezcla 50/50 (refrigerante en la válvula de reparto)
Glicol propileno y agua, mezcla 50/50



¡NOTA! No realice mezclas directamente en el depósito de la máquina, es difícil determinar cuando la mezcla es 50/50. Realice una mezcla 50/50 para un mejor rendimiento del refrigerante y una mejor protección anticorrosión del motor.

DATOS TECNICOS

Datos técnicos

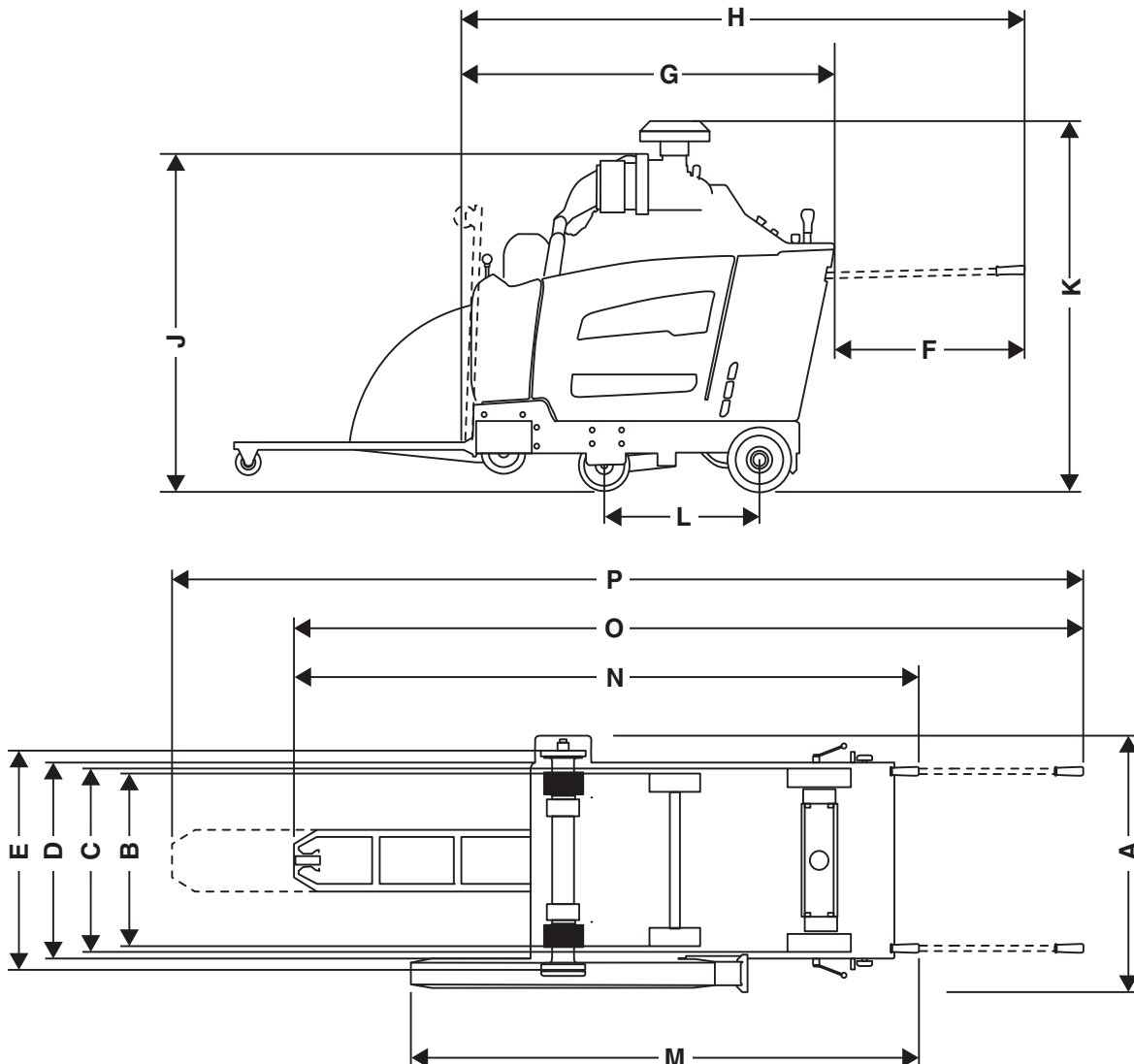
Característica de la sierra	36/900	42/1000	48/1200	60/1500
Capacidad de protección del disco, mm/pulg.	36/900	42/1000	48/1200	60/1500
Profundidad máxima de corte, mm/pulg.	15/374	17,5/411	20/498	25/623
Eje del disco, rpm	1354	1150	1015	792
Potencia aproximada del eje del disco, CV/kW	68/50			
Tamaño del eje giratorio, pulgadas/milímetros	1/25,4 with 6 screws			
Desconexión rápida de la brida de la cuchilla Ø, pulgadas/milímetros	6/152,5	7/178	8/203,2	10/254
Diámetro del eje del disco, mm/pulg.	2 1/2 / 63,5			
Cojinetes del eje de la cuchilla	Eje de la hoja sellada con yeso, con 2 bolas de contacto angular que no necesitan mantenimiento.			
Transmisión del eje del disco	Correas en V dobles 3VX de cuatro nervaduras por lado (16 nervaduras en total)			
Refrigerante del disco	Tubos de pulverización de agua de varios chorros duales chapados con zinc			
Accesorio de protección del disco	Deslizante, cierre automático		Atornillado	
Control del disco	Una bomba electrohidráulica levanta el disco; Elevación/descenso controlado por interruptor en la manilla del control de velocidad; Indicador de detención de profundidad y profundidad de corte controlado por software; Sistema de desacoplamiento de la unidad del disco (embrague); Bridas del disco de desconexión rápida			
Eje Ø, mm/pulg.	Frente, 25.4/1			
	Trasero, pivote central fácil de ajustar con 2 motores de ruedas alimentados de manera hidráulica			
Ruedas, mm/pulg.	Delanteras, 9x3x1 / 229x76x25, banda de rodamiento de poliuretano grueso, cojinete de bolas sellado que requiere menos mantenimiento		Delanteras, 9x3x1 / 229x76x25, banda de rodamiento de poliuretano grueso, cojinete de bolas sellado que requiere menos mantenimiento	
	Traseras, 10x3x1.25/254x76x32, goma sólida, desconexión rápida			
Transmisión	Bomba hidrostática con 2 motores de rueda conectados con mangueras, interruptor de encendido neutral, control de velocidad único, válvula de bypass hidráulica para empuje			
Velocidad máxima de avance	Variable infinita: 0-76 metros/minuto / 0-250 fpm de avance y retroceso. Velocidad máxima de retroceso 25 metros/minuto en los modelos CE.			
Chasis	Construcción de sección de canal y caja de forma rígida y resistente			
Peso (sin embalaje) en kg/lb	1042/2297	1065/2347	1068/2355	1306/2879
Masa máxima de funcionamiento, kg/lb	1092/2407	1123/2476	1134/2500	1393/3071

DATOS TECNICOS

Dimensiones de la sierra

FS7000 DL (36" - 48")

A	Anchura, mm/pulg.		39/990	H	Largo de la sierra (con indicador arriba, manijas extendidas), pulgadas/milímetros	95 1/8 / 2417
B	Anchura de rueda de centro a centro, mm/pulg.	Delantero	23 3/4 / 604	J	Altura min. total (sin tubo del tubo de escape, sin la tapa del purificador), pulgadas/milímetros	51 7/8 / 1319
		Trasero	25 3/8 / 646	K	Altura máx. total (con la tapa del purificador), pulgadas/milímetros	1499 / 59
C	Anchura de rueda de exterior a exterior, mm/pulg.	Delantero	26 3/4 / 680	L	Largo de la base de las ruedas, pulgadas/milímetros	23 1/2 / 597
		Trasero	28 3/8 / 722	M	Largo desde la protección hasta la manija (manijas guardadas), pulgadas/milímetros	97 1/16 / 2465
D	Anchura de marco, mm/pulg.		29 1/2 / 750	N	Largo máx. total (con manijas guardadas), pulgadas/milímetros	110 / 2793
E	Anchura de brida interior a brida interior, mm/pulg.		830 / 32 5/8	O	Largo máx. total (con manijas extendidas, indicador abajo), pulgadas/milímetros	137 1/8 / 3483
F	Extensión de manillar, mm/pulg.		31 7/8 / 809			
G	Longitud mínima de la sierra (manillares retirados, guía y protección), mm/pulg.		76 7/16 / 1941	P	Largo máx. total (con manijas extendidas, indicador extendido), pulgadas/milímetros	156 1/16 / 3963

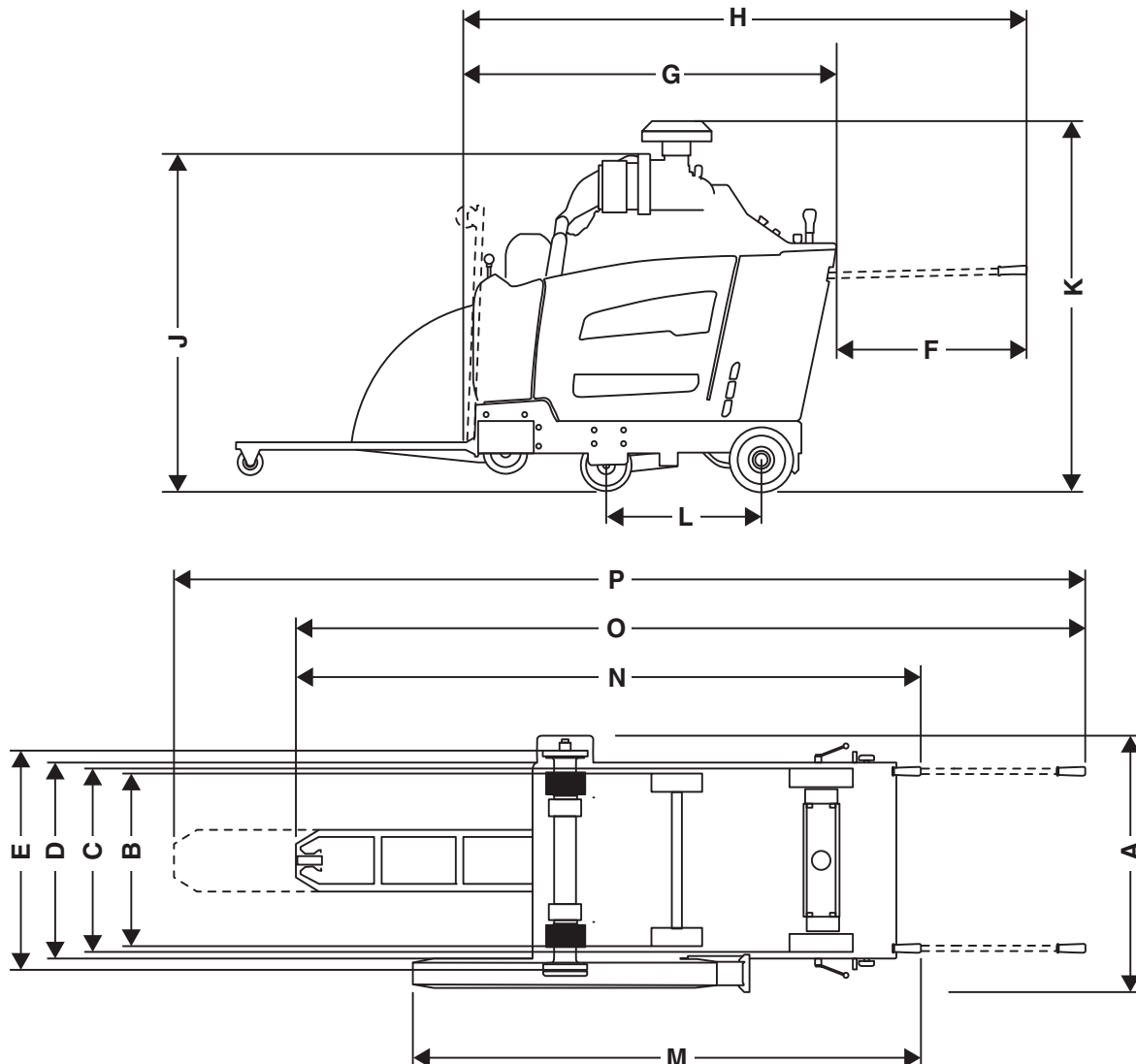


DATOS TECNICOS

Dimensiones de la sierra

FS7000 DL (60")

A	Anchura, mm/pulg.		39 1/2 / 1003	H	Largo de la sierra (con indicador arriba, manijas extendidas), pulgadas/milímetros	95 1/8 / 2417
B	Anchura de rueda de centro a centro, mm/pulg.	Delantero	23 3/4 / 604	J	Altura min. total (sin tubo del tubo de escape, sin la tapa del purificador), pulgadas/milímetros	114 7/8 / 2918
		Trasero	25 3/8 / 646	K	Altura máx. total (con la tapa del purificador), pulgadas/milímetros	1499 / 59
C	Anchura de rueda de exterior a exterior, mm/pulg.	Delantero	26 3/4 / 680	L	Largo de la base de las ruedas, pulgadas/milímetros	23 1/2 / 597
		Trasero	28 3/8 / 722	M	Largo desde la protección hasta la manija (manijas guardadas), pulgadas/milímetros	97 1/16 / 2465
D	Anchura de marco, mm/pulg.		29 1/2 / 750	N	Largo máx. total (con manijas guardadas), pulgadas/milímetros	117 7/32 / 2977
E	Anchura de brida interior a brida interior, mm/pulg.		32 1/2 / 825	O	Largo máx. total (con manijas extendidas, indicador abajo), pulgadas/milímetros	140 19/32 / 3571
F	Extensión de manillar, mm/pulg.		31 7/8 / 809	P	Largo máx. total (con manijas extendidas, indicador extendido), pulgadas/milímetros	159 1/2 / 4051
G	Longitud mínima de la sierra (manillares retirados, guía y protección), mm/pulg.		91 1/2 / 2324			



DATOS TECNICOS

Motor

Especificaciones del motor	Deutz, TD 2.9 L4
Salida máxima del motor (véase la nota 1)	74.3hp@2600rpm (55.4kW@2600rpm)
Cilindrada, cu.in. / dm ³	178 / 2,92
Cylinders	4
Motor de dos tiempos, mm/pulg.	3,6/4,3 / 92/110
Capacidad del depósito de combustible, l/ galón	10,6 / 40
Filtro de aire	Junta radial con prelimpiador e indicador de restricción
Arranque	Eléctrico

Para obtener más información y en caso de consultas sobre este motor específico, visite el sitio www.deutz.com

Nota 1: como lo especifica el fabricante del motor. La calificación de potencia de los motores indicados corresponde a la salida de potencia neta promedio (en rpm especificada) de un motor de producción típica para el modelo de motor medido según ISO3046. Los motores de producción masiva podrían diferir de este valor. La salida de potencia real para el motor instalado en la máquina final dependerá de la velocidad de funcionamiento, las condiciones medioambientales y otras variables.

Emisiones de ruido

	FS7000 DL
Emisiones de ruido (vea la nota 1)	
Nivel de potencia acústica medido dB(A)	115
Nivel de potencia acústica garantizado L _{WA} dB(A)	119
Niveles acústicos (vea la nota 2)	
Nivel de presión acústica en el oído del usuario, dB(A)	101
Niveles de vibraciones, a_{hv} (vea la nota 3)	
Manija derecha m/s ²	<2,5
Manija izquierda, m/s ²	<2,5

Nota 1: Emisiones sonoras en el entorno medidas como potencia acústica (L_{WA}) según la directiva CE 2000/14/CE. La diferencia entre la potencia sonora garantizada y medida es que la potencia sonora garantizada también incluye la dispersión en el resultado de la medición y las variaciones entre diferentes máquinas del mismo modelo, según la Directiva 2000/14/CE.

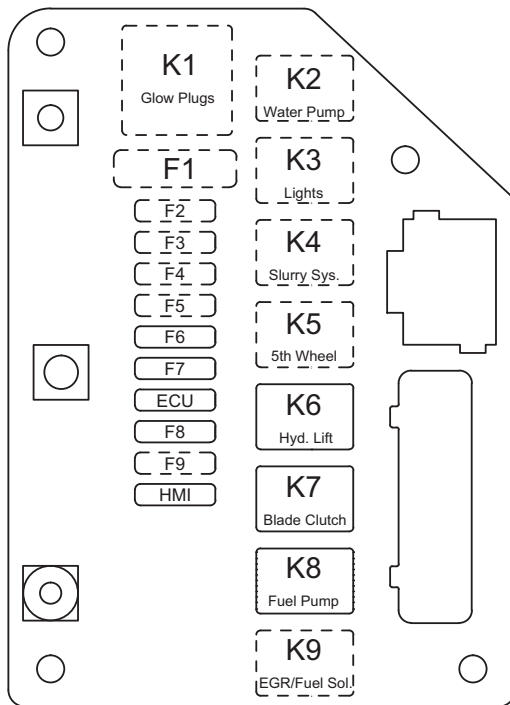
Nota 2: Nivel de presión de ruido según EN 13862. Los datos referidos del nivel de presión sonora tienen una dispersión estadística habitual (desviación estándar) de 1,0 dB(A).

Nota 3: Nivel de vibración según EN 13862. Los datos referidos del nivel de vibración poseen una dispersión estadística habitual (desviación típica) de 1 m/s².

RELÉS Y FUSIBLES

Relés y fusibles: FS7000 DL

Funcionamiento		Designación	Relé (A)	Designación	Fusible (A)
Calentador		K1	(no utilizado)	F1	(no utilizado)
Bomba de agua	(opcional)	K2	25	F2	25
Luces	(opcional)	K3	25	F3	25
Sistema de suspensión	(opcional)	K4	25	F4	25
Quinta rueda	(opcional)	K5	25	F5	25
Bomba de elevación hidráulica		K6	25	F6	25
Embrague del disco		K7	25	F7	15
Bomba de combustible		K8	25	F8	20
EGR/ Solenoide de combustible		K9	(no utilizado)	F9	(no utilizado)
Motor de arranque		K10	70	F10	60
ECU		n/a	n/a	ECU	25
HMI		n/a	n/a	HMI	25





www.husqvarnacp.com

US - Original instructions, CA - Instructions d'origine, ES - Instrucciones originales



1157925-49

2017-11-07 rev. 2