

**Operator's manual Manual de instrucciones**  
**Instruções para o uso Οδηγίες χρήσης**

**WSC 40**



**GB ES PT GR**

Please read the operator's manual carefully and make sure you understand the instructions before using the machine.

Lea detenidamente el manual de instrucciones y asegúrese de entender su contenido antes de utilizar la máquina.

Leia as instruções para o uso com toda a atenção e compreenda o seu conteúdo antes de fazer uso da máquina.

Διαβάστη προσεκτικά τις Οδηγίες χρήσης και κατανοήσθη το περιεχόμενο πριν χρησιμοποιήσθη το μηχάνημα.

# KEY TO SYMBOLS

## Symbols on the machine:

**WARNING!** The machine can be a dangerous tool if used incorrectly or carelessly, which can cause serious or fatal injury to the operator or others.



Please read the operator's manual carefully and make sure you understand the instructions before using the machine.



Always wear:

- Approved protective helmet
- Approved hearing protection
- Protective goggles or a visor
- Breathing mask



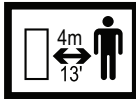
Risk of cutting. Keep all parts of your body away from the cutting equipment.



Flying object hazard. The operator must always stand at an angle diagonally behind an operating saw, to prevent the risk of being struck by objects from the material.



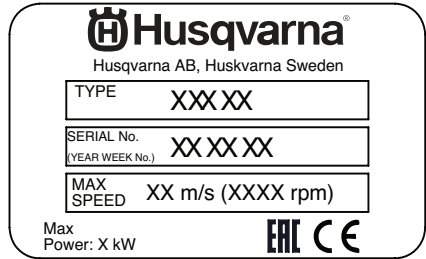
Keep a safe distance from the machine. For the operator the minimum safety margin to moving parts during operation is 4 meters (13 ft).



This product is in accordance with applicable EC directives.



## Machine marking plate



Row 1: Brand

Row 2: Manufacturer's address

Row 3: Type

Row 4: Serial number (year, week, number)

Row 5: Max speed

Row 6: Max power, certification symbols applicable to certain markets.

## Explanation of warning levels

The warnings are graded in three levels.

### WARNING!



**WARNING!** Used if there is a risk of serious injury or death for the operator or damage to the surroundings if the instructions in the manual are not followed.

### IMPORTANT!



**IMPORTANT!** Used if there is a risk of injury to the operator or damage to the surroundings if the instructions in the manual are not followed.

### CAUTION!



**CAUTION!** Used if there is a risk of damage to materials or the machine if the instructions in the manual are not followed.

Other symbols/decals on the machine refer to special certification requirements for certain markets.

---

# CONTENTS

---

## Contents

### KEY TO SYMBOLS

Symbols on the machine: .....	2
Machine marking plate .....	2
Explanation of warning levels .....	2

### CONTENTS

Contents .....	3
----------------	---

### PRESENTATION

Dear Customer, .....	4
Design and features .....	4
WSC 40 .....	4

### WHAT IS WHAT?

What is what on WSC 40? .....	5
-------------------------------	---

### MACHINE'S SAFETY EQUIPMENT

General .....	6
---------------	---

### DIAMOND CHAINS

General .....	7
Check the chain .....	7
Check the saw .....	7
Material .....	7
Glazing .....	7
Transport and storage .....	7

### ASSEMBLING AND ADJUSTMENTS

General .....	8
Mount wall mountings and rail .....	8
Mount the saw carriage and saw .....	8
Checking that the blade guard guide is parallel with the blade .....	8
Mount the wall saw chain attachment .....	8
Fitting diamond chain .....	10
How to tension the diamond chain .....	10
Mounting spray guard .....	10
Connect the power pack .....	11
Dismount the attachment .....	11

### OPERATING

Protective equipment .....	12
Basic working techniques .....	14
Recommended chain speed .....	16

### STARTING AND STOPPING

Before starting .....	17
Starting .....	17
Select drive mode. ....	17
Calibration .....	17
Stopping .....	17
Dismantling the saw .....	17
Cleaning .....	17

### MAINTENANCE

General .....	18
Maintenance schedule .....	18
Cleaning .....	18
Functional inspection .....	19

### TROUBLESHOOTING

Troubleshooting schedule .....	23
--------------------------------	----

### TECHNICAL DATA

WSC 40 .....	24
Recommended cutting equipment specification, chain .....	24
Recommended cutting equipment specification, guide bar .....	24
EC Declaration of Conformity .....	25

# PRESENTATION

## Dear Customer,

Thank you for choosing a Husqvarna product!

It is our wish that you will be satisfied with your product and that it will be your companion for a long time. A purchase of one of our products gives you access to professional help with repairs and services. If the retailer who sells your machine is not one of our authorized dealers, ask him for the address of your nearest service workshop.

This operator's manual is a valuable document. Make sure it is always at hand at the work place. By following its content (operating, service, maintenance etc.) the life span and the second-hand value of the machine can be extended. If you will sell this machine, make sure that the buyer will get the operator's manual.

## More than 300 years of innovation

Husqvarna AB is a Swedish company based on a tradition that dates back to 1689, when the Swedish King Karl XI ordered the construction of a factory for production of muskets. At that time, the foundation was already laid for the engineering skills behind the development of some of the world's leading products in areas such as hunting weapons, bicycles, motorcycles, domestic appliances, sewing machines and outdoor products.

Husqvarna is the global leader in outdoor power products for forestry, park maintenance and lawn and garden care, as well as cutting equipment and diamond tools for the construction and stone industries.

## Owner responsibility

It is the owner's/employer's responsibility that the operator has sufficient knowledge about how to use the machine safely. Supervisors and operators must have read and understood the Operator's Manual. They must be aware of:

- The machine's safety instructions.
- The machine's range of applications and limitations.
- How the machine is to be used and maintained.

National legislation could regulate the use of this machine. Find out what legislation is applicable in the place where you work before you start using the machine.

## The manufacturer's reservation

Subsequent to publishing this manual Husqvarna may issue additional information for safe operation of this product. It is the owner's obligation to keep up with the safest methods of operation.

Husqvarna AB has a policy of continuous product development and therefore reserves the right to modify the design and appearance of products without prior notice.

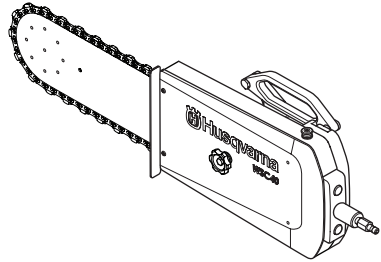
For customer information and assistance, contact us at our website: [www.husqvarna.com](http://www.husqvarna.com)

## Design and features

Values such as high performance, reliability, innovative technology, advanced technical solutions and environmental considerations distinguish Husqvarna's products. Safe operation of this product requires the operator to read this manual carefully. Ask your Husqvarna dealer if you need more information.

Some of the unique features of your product are described below.

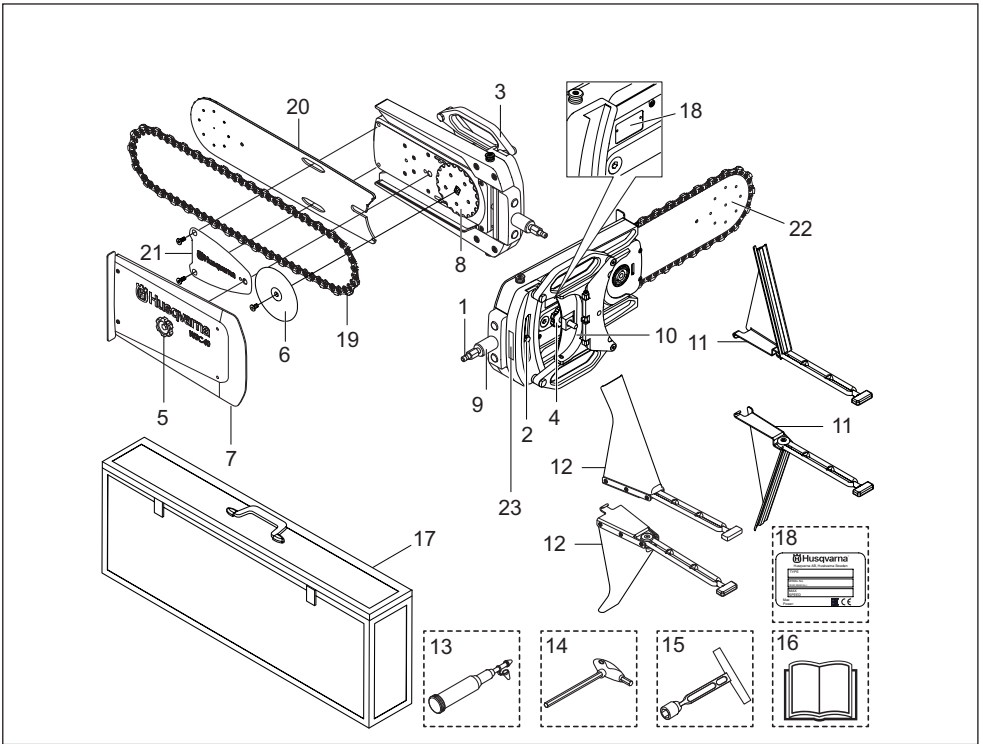
## WSC 40



This wall saw chain attachment is a part of a wall saw system and works with the wall saws WS 440 and WS 482. The wall saw chain attachment is designed to cut hard materials like reinforced concrete, masonry and stone and should not be used for any purpose not described in this manual. To operate this machine a Husqvarna WS 440/WS 482 and a Husqvarna high frequency power pack are required.

- This wall saw chain attachment is used to avoid overcuts when cutting openings.
- The machine enables cutting of smaller openings for ventilation, pipes, etc.
- The chain speed is electronically controlled and adjusted using the remote control for the power unit.
- Same alignment between chain and track, as WS 440 and WS 482 with blade.
- The chain's direction of rotation can be controlled with the remote control which allows one to choose the direction of the water spray.
- The design is lightweight, compact and ergonomic which makes the machine easy to transport.
- The specific software for WSC 40 is installed in the power pack and makes automatic adjustments of the feed motor movements to create straight plunge cuts. Make sure that you have the latest software installed in your power pack.

# WHAT IS WHAT?



## What is what on WSC 40?

- |    |                               |    |                       |
|----|-------------------------------|----|-----------------------|
| 1  | Hose connection, water in     | 13 | Grease gun            |
| 2  | Angle adjustment screw        | 14 | Allen key (5 mm)      |
| 3  | Parallel handle               | 15 | T-box spanner (13 mm) |
| 4  | Locking knob for clamp        | 16 | Operator's manual     |
| 5  | Locking knob                  | 17 | Storage box           |
| 6  | Clamping washer               | 18 | Machine marking plate |
| 7  | Transmission cover            | 19 | Diamond chain         |
| 8  | Chain drive sprocket          | 20 | Guide bar             |
| 9  | Chain tension adjustment knob | 21 | Clamping plate        |
| 10 | Clamp for wall saw handle     | 22 | Nose wheel            |
| 11 | Flush cutting guard           | 23 | Warning decal         |
| 12 | Spray guard                   |    |                       |

# MACHINE'S SAFETY EQUIPMENT

## General

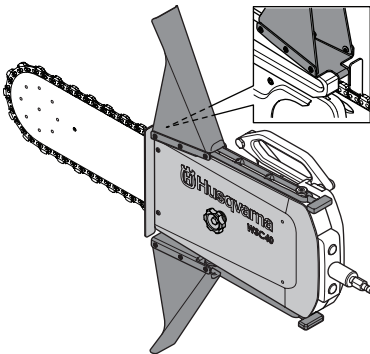
This section describes the machine's safety equipment, its purpose, and how checks and maintenance should be carried out to ensure that it operates correctly. See the "What is what?" section to locate where this equipment is positioned on your machine.



**WARNING! Never use a machine that has faulty safety equipment! Safety equipment must be inspected and maintained. If the safety equipment or any machine parts are damaged in any way take it to a service workshop for repair.**

## Cover and spray guards

The cover and the spray guard must always be used when sawing.



The cover and spray guard provide protection against contact with moving parts, ejected debris, thrown water and concrete slurry. The spray guards are also designed to catch the diamond chain if it snaps or jump off.

We recommend that both spray guards are fitted but in some applications (sawing aligned to floor or ceiling) one spray guard might be temporarily removed. At least the spray guard in the direction of the spray must be fitted. Put back the removed spray guard after cut.

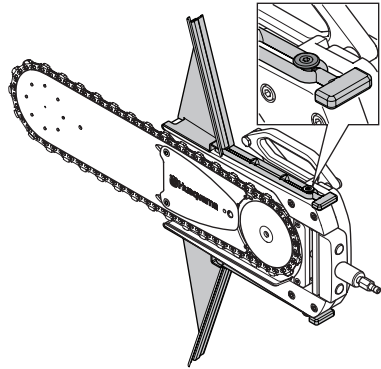
Check the cover and the spray guard.

Ensure there are no cracks or holes from slurry blasting in the cover and guards.

Replace cover or guards if damaged.

## Guards for flush cutting

This machine can be used for flush cutting. For flush cutting specially designed spray guards are used. These guards are only allowed for flush cutting.



Check the guards for damages or wear. Ensure there are no damages on the guards. Replace the guards if damaged.

## Power pack

Make sure to check the safety equipment on the supplied power pack. See the operator's manual for the power pack.

Also check the safety instructions and the operator's instructions in the operator's manuals for actual wall saw and power pack to be used.

# DIAMOND CHAINS

## General



**WARNING!** Chain breakage can result in serious injury if the chain is thrown towards the operator. Faulty cutting equipment or the wrong combination of bar and chain increases the risk of kickback! Use only the bar and chain combinations that we recommend.

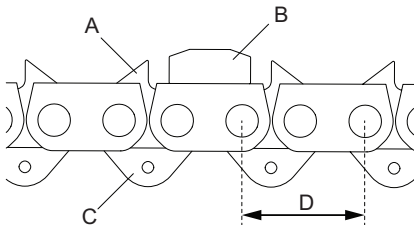


**WARNING!** Always disconnect the power cable to the saw unit before installation, cleaning and maintenance. Carelessness can result in serious personal injury or even death.



**WARNING!** Always wear gloves, when working with the chain.

- A) Drive link with bumper
- B) Cutting link with diamond segment
- C) Chain guide



Diamond chain pitch:  $\text{Pitch} = D/2$

This unit must only be used with a double bumper chain since the machine can be operated in double rotation directions.

When using a chain with double bumpers, the chain can be fitted either way round.

## Check the chain

- Check that the chain does not show signs of damage in the form of play on the links, broken raker or drive links or broken segments. If the diamond chain is damaged replace it.
- If the chain has been exposed to hard jamming or other abnormal overloading, the chain should be dismantled from the bar for careful inspection.

## Check the saw

The saw is equipped with a number of safety features that protect the operator in the event of chain breakage. These safety features must be checked before work starts. Never use the saw if any of the following parts are damaged or missing:

- Transmission cover
- Damaged chain
- Damaged or missing spray guard

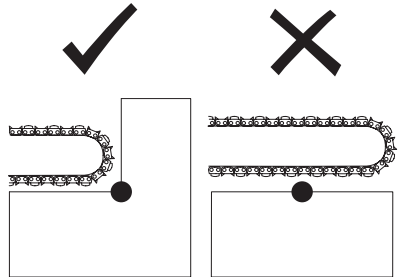
## Material



**WARNING!** Under no circumstances may the diamond chain saw be converted to cut other materials than those it is intended for. It must never be equipped with a timber/wood saw chain.

This machine is designed for and intended for sawing concrete, brick and different stone materials. All other use is improper.

The saw must never be used to cut pure metals. This will probably result in broken segments or chain breakage. The diamond segment can cut reinforced concrete. Try to cut the reinforcement together with as much concrete as possible, this will save the chain.



## Glazing

After cutting extremely hard concrete or stone the diamond segment may lose some or all of its cutting capacity. This can also occur if you are forced to cut with a low partial pressure (the diamond chain runs against the workpiece along the entire length of the bar). The solution to the problem is to change the rotation direction of the chain.

## Transport and storage

- After completed work, the diamond chain saw shall be run with water pressure for at least 15 sec. to clean bar, chain and drive mechanism of particles. Rinse the machine with water. If the machine is not to be used for a while, we recommend oiling the chain and bar to prevent corrosion.
- Inspect all cutting equipment for transport and storage damage.

# ASSEMBLING AND ADJUSTMENTS

## General



**WARNING!** Always disconnect the power cable to the saw unit before installation, cleaning and maintenance. Carelessness can result in serious personal injury or even death.

## Mount wall mountings and rail

Assemble the system according to operator's manual for actual wall saw.

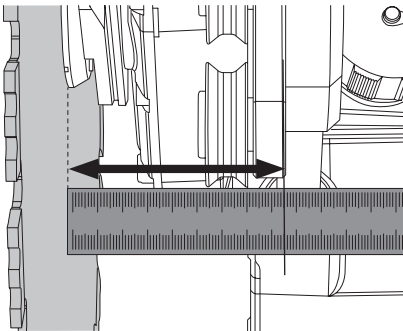
## Mount the saw carriage and saw

Assemble the system according to operator's manual for actual wall saw.

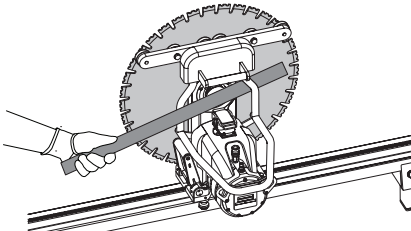
## Checking that the blade guard guide is parallel with the blade

For alignment of the WSC 40 to the cut, make sure no deformation has occurred on the handle bar on the wall saw.

- 1 Mount the blade guard guide on the guide and measure between each of the end wheels and the blade. The measurement between the outside of the wheel guide and the blade shall be approximately 102 +/- 2 mm.



- 2 If the difference is larger than 2 mm, take away the guide and adjust the frame with an iron bar to get the guide parallel to the blade.



## Mount the wall saw chain attachment

**IMPORTANT!** Always keep the machine in the provided box when not in use.



**WARNING!** Protect your hands with gloves.



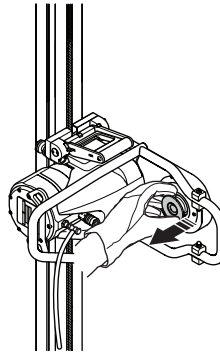
**WARNING!** Only one person should perform the mounting procedure of the machine to be able to prevent unforeseen events.



**WARNING!** Risk of crush injuries! Hold the machine steadily.

**IMPORTANT!** Keep the floor clean during mounting. Make sure that no objects are in the way.

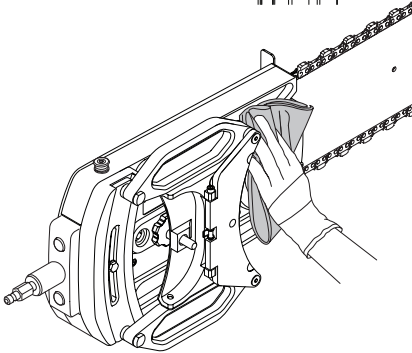
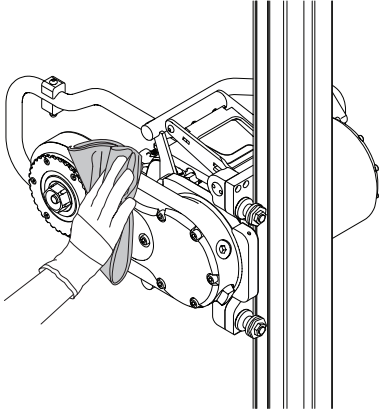
- 1 Remove the blade and the blade flange according to the operator's manual of the actual wall saw.
- 2 Make sure that the spindle hub is in the outer position. It is not possible to attach WSC 40 if the hexagon shaft is in the inner position.



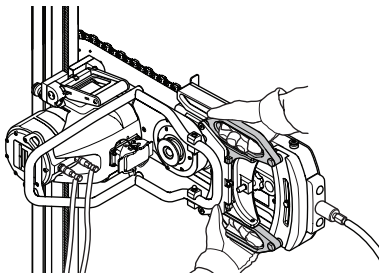


## ASSEMBLING AND ADJUSTMENTS

- 3 Make sure that the surfaces on the machine and on the saw head are clean.

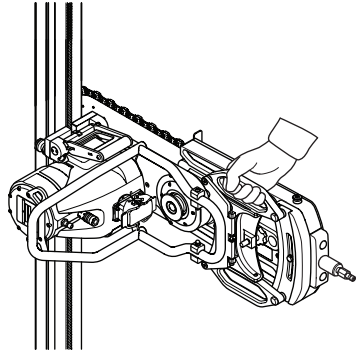


- 4 Use both hands to lift up the machine in the parallel handle from the storage box.

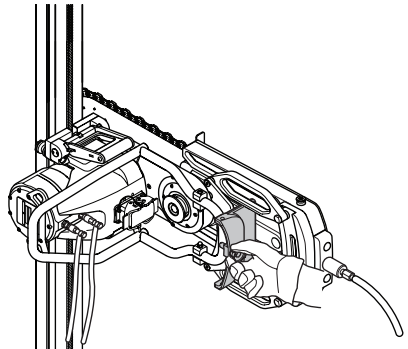


- 5 Slide the WSC 40 onto the wall saw arm. Push on the hexagon shaft while moving the unit carefully around the center to align the shaft. The shaft should now be in its intermediate locked position, Check by pulling

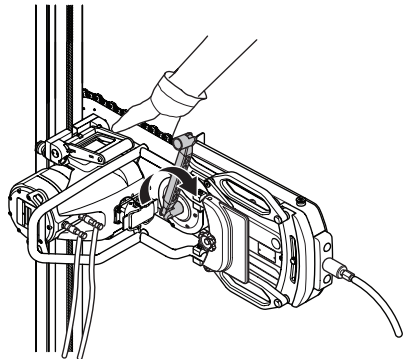
- the wall saw chain attachment. Make sure that the machine is locked on the saw arm.



- 6 Fold over the clamp that locks the attachment to the handle bar. Tighten the locking knob.

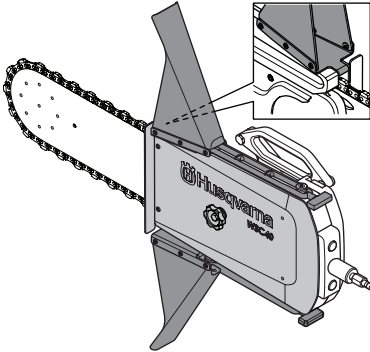


- 7 Tighten the machine to the saw head with the bolt in the spindle hub. Put one hand on the chain for resistance. Don't forget to wear gloves. Use the 18 mm wrench provided in the tool box. Use the tightening torque 70-80 Nm (52-59 ft-lbs).

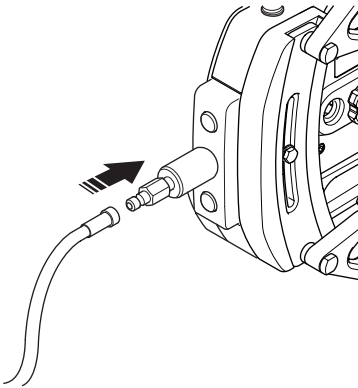


## ASSEMBLING AND ADJUSTMENTS

- 8 Mount the spray guards.



- 9 Connect the water hose.



**WARNING!** Check that the assembly is correct before connecting the power cable.

### Fitting diamond chain



**WARNING!** Never mount or dismount the tool or the guards without first disconnecting the power cable from the saw unit. Carelessness can result in serious personal injury or even death.



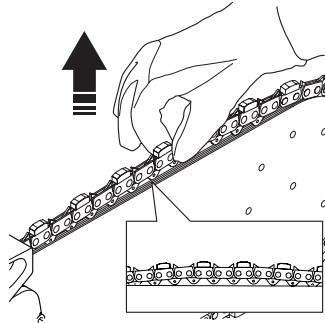
**WARNING!** Exercise care when assembling the wall saw chain attachment so that it does not loosen when cutting. Carelessness can result in serious personal injury or even death.

### How to tension the diamond chain

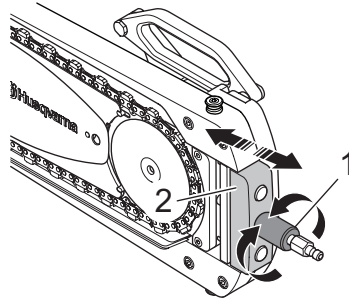


**WARNING!** A slack diamond chain may jump off and cause serious or even fatal injury.

The correct diamond chain tension on this machine differs from other chain saws. When the chain is perfectly tensioned the chain is tight to the chain bar and in a perfect circle around the chain bar. After tensioning it should still be possible to lift up the chain so the chain guides are parallel to the chain bar and to move the chain easily.



Loosen the screw for the clamping washer from behind using a 13mm t-box spanner. Use the adjustment knob to tension the chain.



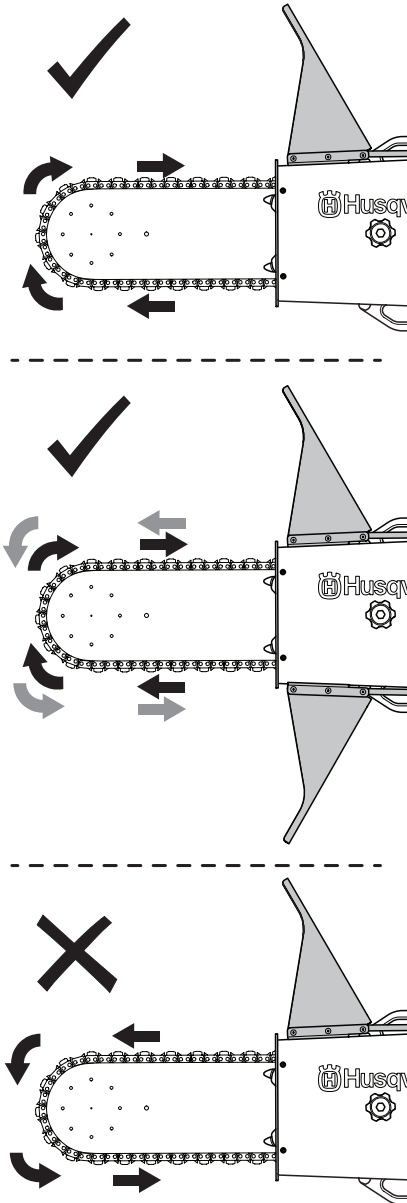
### Mounting spray guard

The spray guard for the cutting equipment should be mounted on the sides of the machine with rubber straps. Spatter and sparks from the material being cut are then collected by the guard and led away from the user.

Since the diamond chain rotation direction can be selected, the water spray direction from the chain can also be selected regardless of how the saw is turned on the rail.

## ASSEMBLING AND ADJUSTMENTS

Both when the saw is used for flush cutting or normal cutting, the spray guards are mounted in the direction of chain rotation.



### Connect the power pack



**WARNING!** This product is only intended for use together with the Husqvarna PP 400 series power packs. All other use is forbidden.

Read through the manual supplied with the power pack before starting to use the machine.

Maximum power to the unit is 9,2 kW and therefore 16 A mode is shown when using WSC 40 with PP 480 and PP 490. This is automatically set when chain mode is selected in the remote. Check that the power pack is updated with latest software.

### Dismount the attachment



**WARNING!** Always disconnect the power cable to the saw unit before installation, disassembly, cleaning and maintenance. Carelessness can result in serious personal injury or even death.

- 1 Disconnect the incoming power lead and incoming water hose.
- 2 Remove the spray guards.
- 3 Place a hand on the chain to prevent it from moving and loosen the bolt in the spindle hub with the 18 mm wrench. Unscrew the bolt and make sure that the spindle hub is in intermediate position.
- 4 Take a firm grip around the water connection on WSC 40. Unscrew the locking knob on the locking clamp. Fold the locking clamp over to secure the parallel handles.
- 5 Take a firm grip in the parallel handle with the free hand. Pull out the spindle hub on the wall saw arm to its outer position. Remove the machine.
- 6 Always keep the machine in the provided box when not in use.

# OPERATING

## Protective equipment

### General

Do not use the machine unless you are able to call for help in the event of an accident.

### Personal protective equipment

You must use approved personal protective equipment whenever you use the machine. Personal protective equipment cannot eliminate the risk of injury but it will reduce the degree of injury if an accident does happen. Ask your dealer for help in choosing the right equipment.



**WARNING! The use of products such as cutters, grinders, drills, that sand or form material can generate dust and vapours which may contain hazardous chemicals. Check the nature of the material you intend to process and use an appropriate breathing mask.**

**Long-term exposure to noise can result in permanent hearing impairment. So always use approved hearing protection. Listen out for warning signals or shouts when you are wearing hearing protection. Always remove your hearing protection as soon as the engine stops.**

**There is always a risk of crush injuries when working with products containing moving parts. Wear protective gloves to avoid body injuries.**

Always wear:

- Approved protective helmet
- Hearing protection
- Approved eye protection. If you use a face shield then you must also wear approved protective goggles. Approved protective goggles must comply with standard ANSI Z87.1 in the USA or EN 166 in EU countries. Visors must comply with standard EN 1731.
- Breathing mask
- Heavy-duty, firm grip gloves.
- Tight-fitting, heavy-duty and comfortable clothing that permits full freedom of movement. Do not wear shorts
- Boots with steel toe-caps and non-slip sole.
- Be careful as clothing, long hair, and jewellery can get caught in moving parts.

## Other protective equipment



**WARNING! Sparks may appear and start a fire when you work with the machine. Always keep fire fighting equipment handy.**

- Fire Extinguisher
- First aid kit

## General safety precautions



**WARNING! Please read all safety warnings and all instructions. Failure to follow the warnings and instructions may result in electric shock, fire and/or serious injury.**

This section describes basic safety directions for using the machine. This information is never a substitute for professional skills and experience. If you get into a situation where you feel unsafe, stop and seek expert advice. Contact your dealer, service agent or an experienced user. Do not attempt any task that you feel unsure of!

- Please read the operator's manual carefully and make sure you understand the instructions before using the machine.
- Read through the manual supplied with the power pack before starting to use the machine.
- This machine is only intended for use together with a Husqvarna WS 440 /WS 482. All other use is forbidden.
- The machine can cause serious personal injury. Read the safety instructions carefully. Learn how to use the machine.
- Keep in mind that the operator is responsible for accidents or hazards occurring to other people or their property.
- All operators shall be trained in the use of the machine. The owner is responsible for ensuring that the operators receive training.
- The machine must be kept clean. Signs and stickers must be fully legible.
- Save all warnings and instructions for future reference.

# OPERATING



**WARNING! The machine can be a dangerous tool if used incorrectly or carelessly, which can cause serious or fatal injury to the operator or others.**

**Never allow children or other persons not trained in the use of the machine to use or service it.**

**Never allow anyone else to use the machine without first ensuring that they have read and understood the contents of the operator's manual.**



**WARNING! Unauthorized modifications and/or accessories may lead to serious injury or death to the user or others.**

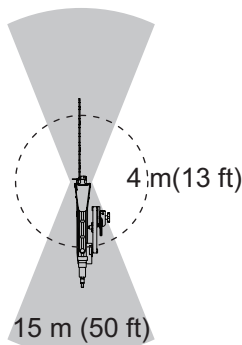
**Do not modify this product or use it if it appears to have been modified by others.**

**Never use a machine, battery or battery charger that is faulty. Carry out the checks, maintenance and service instructions described in this manual. Some maintenance and service measures must be carried out by trained and qualified specialists. See instructions under the heading Maintenance.**

**Only use original spare parts.**

- Make sure no unauthorized persons are in the working area. Otherwise there is a risk of serious personal injury. The safety distance is 15 meters (50 ft).
- Do not use the machine in bad weather, such as dense fog, heavy rain, strong wind, intense cold, etc.
- Working in bad weather is tiring and can lead to dangerous conditions, e.g. slippery surfaces.
- Ensure that the working area is sufficiently illuminated to create a safe working environment.
- Always ensure you have a safe and stable working position.

## The machine's risk area



**WARNING! Make sure no unauthorized persons are in the working area. Otherwise there is a risk of serious personal injury. The safety distance is 15 meters (50 ft).**



**WARNING! For the operator the minimum safety margin to moving parts during operation is 4 meters (13 ft). The operator must always stand at an angle diagonally behind an operating saw, to prevent the risk of being struck by objects from the material. Be extra careful at start-up when the saw penetrates the material.**

## Always use common sense

It is not possible to cover every conceivable situation you can face. Always exercise care and use your common sense.

If you get into a situation where you feel unsafe, stop and seek expert advice. Contact your dealer, service agent or an experienced user. Do not attempt any task that you feel unsure of!

## Work area safety

- Always check the back of the wall where the guide bar and diamond chain comes out when cutting through. Secure, cordon off and make sure that no people can be injured or materials damaged.
- Always check and mark out where gas pipes are routed. Cutting close to gas pipes always entails danger. Make sure that sparks are not caused when cutting in view of the risk of explosion. Remain concentrated and focused on the task. Carelessness can result in serious personal injury or death.
- Make sure that no pipes or electrical cables are routed in the working area or in the material to be cut.
- Make sure there are no live electrical cables within the working area.

**IMPORTANT! No persons that do not have the protective equipment described above shall be allowed inside the risk area for thrown material.**

# OPERATING

## Electrical safety

See the electrical safety sections of the manuals for the wall saw and the power pack that is used.



**WARNING! Do not pressure wash the machine, as water can enter the electrical system or the engine and cause damage to the machine or short circuit.**

## Personal safety

- Never leave the machine unsupervised with the motor running.
- Never saw in such a way that you cannot easily reach the emergency stop on the remote control or on the power pack. See power pack manual.
- Make sure that there is always another person close at hand when you use the machines, so that you can call for help if an accident should occur.
- People that need to be in close proximity of the machine must wear the required protective gear, including hearing protection, as the sound level when cutting exceeds 85 dB(A).
- Observe care when lifting. You are handling heavy parts, which imply the risk of pinch injuries or other injuries.
- People and animals can distract you causing you to lose control of the machine. For this reason, always remain concentrated and focused on the task.
- Be careful as clothing, long hair, and jewellery can get caught in moving parts.
- **Remove any adjusting key or wrench before turning the power tool on.** A wrench or a key left attached to a rotating part of the power tool may result in personal injury.
- Never leave the machine unsupervised with the motor running.
- Risk for crushing hazard. If incorrectly assembled the machine can fall and harm the operator.
- Observe care when lifting. You are handling heavy parts, which imply the risk of pinch injuries or other injuries.

## Use and care

- Never mount or dismount tool or guards without first pulling out the power cable running to the saw unit.
- Never pull out the power cable without first switching off the power pack and waiting for the engine to come to a complete halt.
- Never cut without using correct guards.
- Check that the chain is not in contact with anything when the machine is started.
- For the operator the minimum safety margin to moving parts during operation is 4 meters (13 ft). The operator

must always stand at an angle diagonally behind an operating saw, to prevent the risk of being struck by objects from the material.

- Water cooling must always be used. This cools the chain and chain bar and increases their life and prevents dust build-up.
- Check that all couplings, connections and cables are intact and free from dirt.
- Clearly mark out all cuts to be made before you start sawing, plan these so they can be carried out without danger to persons or the machine.
- Firmly secure or anchor concrete blocks before cutting. The heavy weight of cut material can cause both extensive damage to the machine and serious personal injury if it cannot be moved under controlled conditions.

## Transport and storage

- Always pull out the electric cable before moving the equipment.
- Dismount the blade and blade guard before transport and storage.
- Store the equipment in a lockable area so that it is out of reach of children and unauthorized persons.
- If there is a risk of freezing, the machine must be drained of any remaining water coolant.
- Use the cases provided to store the equipment.

## Basic working techniques



**WARNING! Working technique for WSC 40 is only applicable for this product. Never adapt these working techniques for other equipment.**

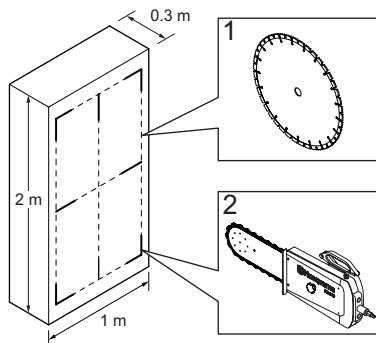


**WARNING! Always use a blade with segments that are wider than the segments of the chain. This is extremely important if a handheld machine will be used to finish the cut. If a rail guided machine like WSC 40 is used, it can be disregarded.**

Start the cutting with the wall saw with blade (1) according to the illustration. There after use the wall saw chain attachment (2) according to the illustration.

# OPERATING

Cutting is performed according to the illustration:



Feed the blade 3-7 cm (1.2"-2.8"). Make the pilot cut in order to obtain a straight cut and with that a base for the next cut. The cut should be made with care. The cutting arm allows blades up to 1000 mm (40") to be used as the start blade. It is, however, recommended to start cutting with a 800 mm (31.5") blade.

- When the pilot cut is finished, a deeper cut can be made. The depth of these is determined from instance to instance and depends on factors such as hardness of the concrete, existence of reinforcing bar, etc.
- If you change blades to cut deeper in the same cut, make sure the thickness of the blade matches the width of the groove.
- Let the machine work without forcing or pressing the blade.

When the cuts with the blade are finished, replace the blade with the wall saw chain attachment and cut the remaining material to get sharp corners.

If you are cutting in a heavily reinforced concrete or hard aggregate you should start the cut A minus 50 mm (2") from the corner. Check table under overcutting for A measurements.

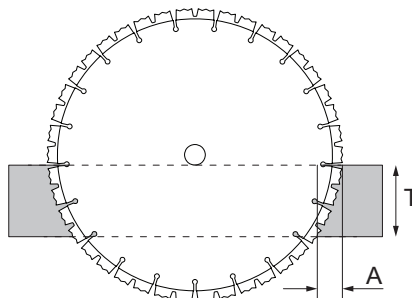
**CAUTION!** Change the setting in the remote control to chain mode when using the wall saw chain attachment.

Feed the wall saw chain attachment inwards in the wall and cut with the nose wheel. The software will automatically adjust the longitudinal feeding to make the cut with the nose wheel. Make sure that there is enough room for the saw carriage to the end stop of the track when cutting starts (choose the correct direction of the arm rotation).

**CAUTION!** Make sure that chain mode is selected in the remote control. If not, the tool will suffer excessive wear.

## Overcutting

The overcutting length depends on the thickness of wall and what blade that is used.

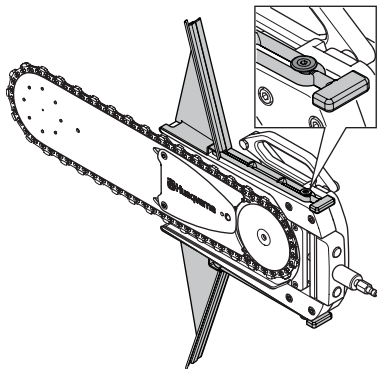


Blade size	800 mm/32"	1000 mm/40"
T (mm/inch)	A (overcutting mm/inch)	
200/8	100/4	80/3
250/10	160/6	120/5
300/12	250/10	160/6
350/14	-	230/9
400/16	-	335/13

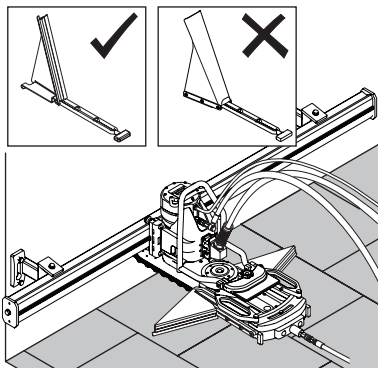
# OPERATING

## Flush cutting

Remove the spray guards for normal cutting and the transmission cover. Replace the spray guards with the provided guards for flush cutting.



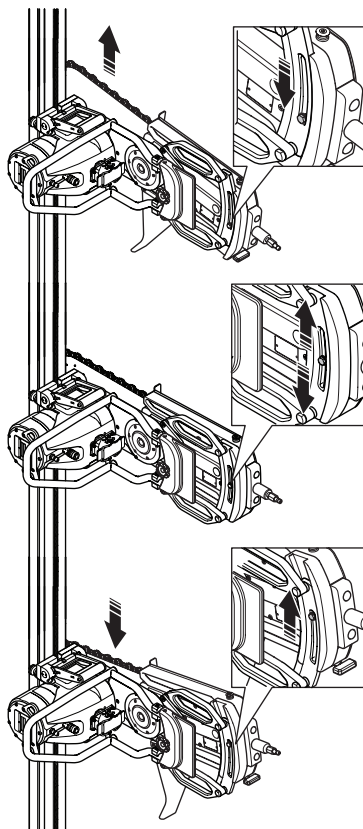
We recommend that both flush guards are fitted but in some applications (sawing aligned to the floor or the ceiling) one guard might be temporarily removed. At least the guard in the chain direction must be fitted. Replace the guard after cutting.



## Angle adjustment

Angle adjustment is used to get a perfect cut in angles close to ceiling, wall or floor. Adjust the angle to its maximum position. The direction is depending on the cut.

Loosen the screw and adjust the angle.



**WARNING!** Always tighten the screw with tightening torque 20 Nm (15 ft-lbs).

## Recommended chain speed

For best cutting performance, use full cutting speed 28 m/s (92 ft/s) in soft and medium concrete.

If WS 482 is used, make sure that mechanical gear 2 is engaged to get correct display of chain speed.

**CAUTION!** Cutting at too low revs can cause damages to the chain and chain bar. Check that the correct mechanical gear is selected! A lower chain speed should be used when cutting in hard concrete than if cutting in soft concrete.



# STARTING AND STOPPING

## Before starting

- Enclose the area to be cut so that unauthorized persons can not be injured or disturb the operator.
- Check that the blade and the blade guard are not damaged or cracked. Replace the blade or the blade guard if it has been exposed to impact or is cracked.
- Check that the chain, chain bar and the chain guards are not damaged or cracked. Replace if exposed to impact or cracked.
- Check that all cables and the water supply are correctly connected to the machine before starting it.

## Starting

Follow the instructions for starting in the manual supplied with the power pack.

**CAUTION!** Ensure that the correct drive mode for WSC40 is selected in the remote. Otherwise excessive wear on the chain and chainbar will occur.

**IMPORTANT!** Ensure that you have the latest software installed in your power pack and remote control. Husqvarna service center can provide you with the latest software.

Select mechanical gear 2, if a wall saw WS 482 is used.

## Select drive mode.

Drive modes are changed in the remote control provided with the wall saw equipment. Switch tool between blade and wall saw chain attachment by pressing the arrow buttons up and down.

The power pack may show more options. Make sure that you have chosen the correct mode for the tool in use.

If incorrect drive mode is chosen, excessive wear may occur on the tools.

## Calibration

If the wall saw chain attachment is not cutting in a straight line into the wall, you may have to recalibrate the position sensors.

- 1 Use the arm rotation to move the saw into it's outer position. The two handles must be absolutely parallel.
- 2 Press menu, select calibrate arm position and press OK. The position is now calibrated.

For more details, see operator's manual for the Husqvarna power pack.

## Stopping

- Once cutting is completed extract the WSC 40 bar from the wall and shut down the blade rotation and the water flow.
- Turn off the power pack.

## Dismantling the saw

- 1 Allow the motor to stop completely.
- 2 Disengage the power supply for the power pack.
- 3 Turn off and disconnect inflowing water to the power pack.
- 4 Disengage the power cable and the water hose from the saw unit.
- 5 The other steps are done in the reverse order to assembling.

## Cleaning

The saw should be cleaned once cutting is finished. It is important to clean all the saw equipment.

**IMPORTANT!** Do not use a high pressure washer to clean the saw.

## Transport and storage

Always switch off the power pack and pull out the electric cable before moving the equipment.

Dismount the spray guards before transport and storage.

Store the equipment in a lockable area so that it is out of reach of children and unauthorized persons.

If there is a risk of freezing, the machine must be drained of any remaining water.

Use the cases provided to store the equipment.

# MAINTENANCE

## General



**WARNING!** The user must only carry out the maintenance and service work described in this Operator's Manual. More extensive work must be carried out by an authorized service workshop.

Inspection and/or maintenance should be carried out with the motor switched off and the power plug disconnected.

Wear personal protective equipment. See instructions under the "Personal protective equipment" heading.

The life span of the machine can be reduced and the risk of accidents can increase if machine maintenance is not carried out correctly and if service and/or repairs are not carried out professionally. If you need further information please contact your nearest service workshop.

Let your Husqvarna dealer regularly check the machine and make essential adjustments and repairs.

Always perform maintenance and service in a tidy environment without debris on the floor.

## Maintenance schedule

In the maintenance schedule you can see which parts of your machine that require maintenance, and with which intervals it should take place. The intervals are calculated based on daily use of the machine, and may differ depending on the rate of usage.

	Daily maintenance	For each square meter of sawing
<b>Cleaning</b>	External cleaning	
<b>Greasing</b>	Spray chain and guide bar with oil.	Grease the guide bar with 2-3 strokes in the lubrication point
	Grease the guide bar. Stroke in the lubrication point until the chain bar is filled with grease.	
<b>Functional inspection</b>	General inspection	
	Water system	
	Cover and spray guard	
	Guide bar, diamond chain and drive sprocket	

## Cleaning

### External cleaning

The wall saw chain attachment should be cleaned once the cutting is finished. Use the cleaning brush that is supplied with the wall saw and connect it to the water hose. Clean all equipment in the system.



**WARNING!** Do not use high-pressure washers to clean the machine.

# MAINTENANCE

## Functional inspection

### General inspection



**WARNING! Never use damaged cables. They can cause serious, even fatal, personal injuries.**

- Check that nuts and screws are tight.
- Check that all surfaces are clean.
- Check the cover and spray guards for damage or wear.
- Check the drive gear for wear.
- Check chain and chain bar for damages and wear.
- Check the chain tension.
- Check the chain tension function.
- Regularly check the degree of wear on the drive sprocket. Replace if wear is excessive.

### Disassembly before check

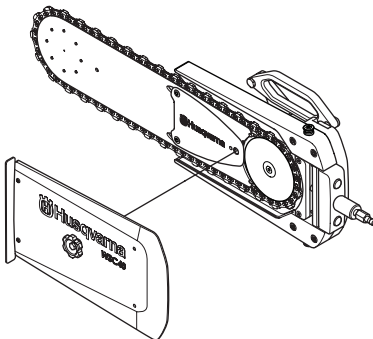


**WARNING! Always disconnect the power cable to the saw unit before installation, disassembly, cleaning and maintenance.**

- 1 Disconnect the water hoses from the saw unit and hang these on the designated place on the transport trolley.

Disconnect the water hoses from the saw unit and hang these on the designated place on the transport trolley or box.

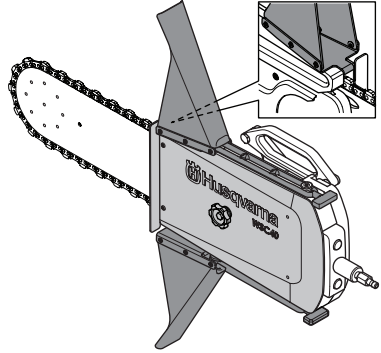
- 2 Remove the spray guards.
- 3 Unscrew the handle bolt and remove the cover.



### Cover and spray guards

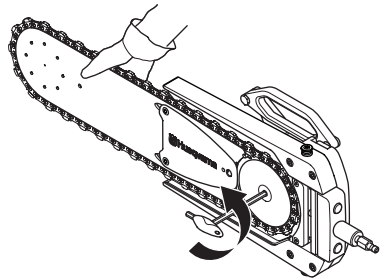
Check the cover and the spray guard.

Ensure there are no cracks or holes from slurry blasting in the transmission cover and spray guard. Replace cover or guard if damaged.

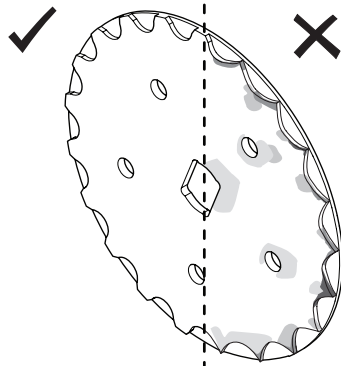


### Chain drive sprocket

- 1 Hold the chain with one hand and unscrew the screw with the provided allen key. Remove the clamping washer.

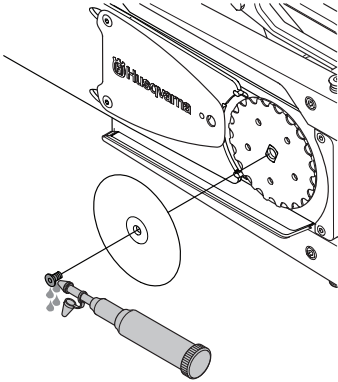


- 2 Regularly check the degree of wear on the drive sprocket. Replace if wear is excessive.

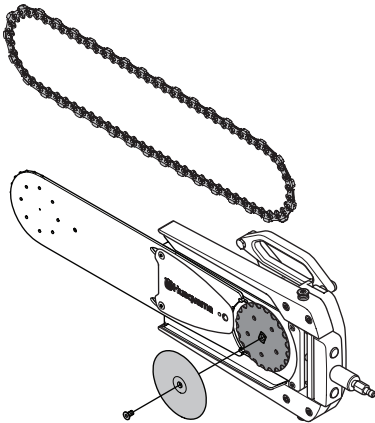


# MAINTENANCE

- When the drive sprocket has been loosened the screw, threads and bolt head must be greased. If the screw is not properly greased it will loosen.

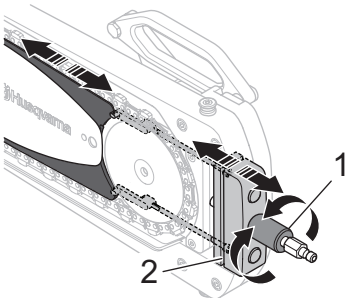


- Always tighten the screw with tightening torque 20 Nm (15 ft-lbs).



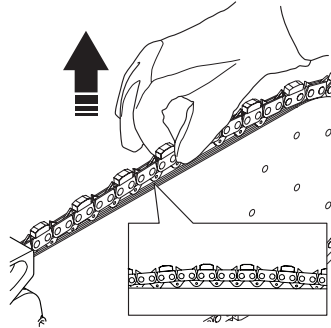
## Saw chain

- Unscrew the handle (1) completely, to loosen the chain tension.



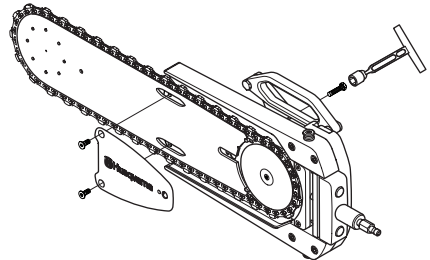
- Pull the chain to release the tension mechanism (2) and remove the chain.
- Inspect the chain for damages or wear. If needed, assemble a new chain on the chain bar.
- The chain tension is adjusted with the handle (1).

**CAUTION!** The correct diamond chain tension on this machine differs from other chain saws. When the chain is perfectly tensioned the chain is tight to the chain bar and in a perfect circle around the chain bar. After tensioning it should still be possible to lift up the chain so the chain guides are parallel to the chain bar and to move the chain easily.

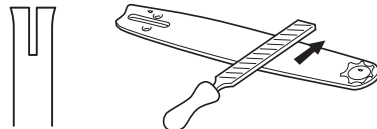


## Guide bar

- Use the 13 mm t-box spanner to remove the screw that holds the guide bar.



- Use the provided allen key to remove the 2 countersunk screws. Keep the screws. If these screws need to be replaced, use only screws from the Illustrated Part List (IPL).
- Remove the guide bar and check it for wear.
- Check if there are burrs on the edges of the bar. Remove these with a file if necessary.

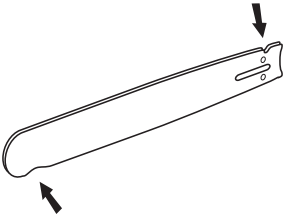


# MAINTENANCE

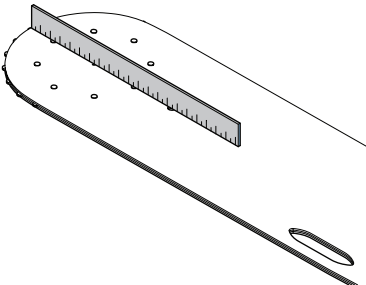
- 5 Check if the groove in the bar has become badly worn. Replace the bar if necessary.



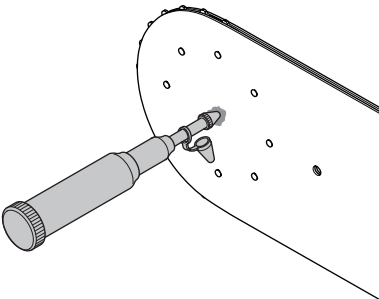
- 6 Check if the tip of the bar is uneven or badly worn. If a hollow forms on the underside of the bar tip this is due to running with a slack chain. To prolong the life of the bar, change the direction of chain rotation in the settings on the remote control. For details, see operator's manual for Husqvarna power pack.



- 7 Use a ruler to check that the bar is not bent. Put the ruler against the bar nose. The ruler must align to the bar.

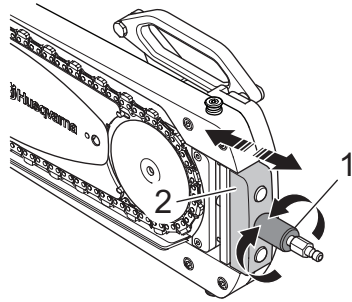


- 8 Grease the guide bar and the diamond chain daily.

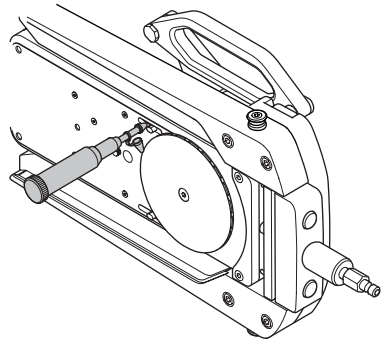


## Chain tension function

- 1 Pull the grey block to check the elasticity.

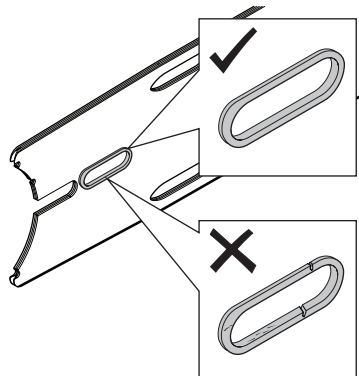


- 2 Clean the slots and grease them.



## Sealing ring

- 1 Check the sealing for wear. Replace if necessary.

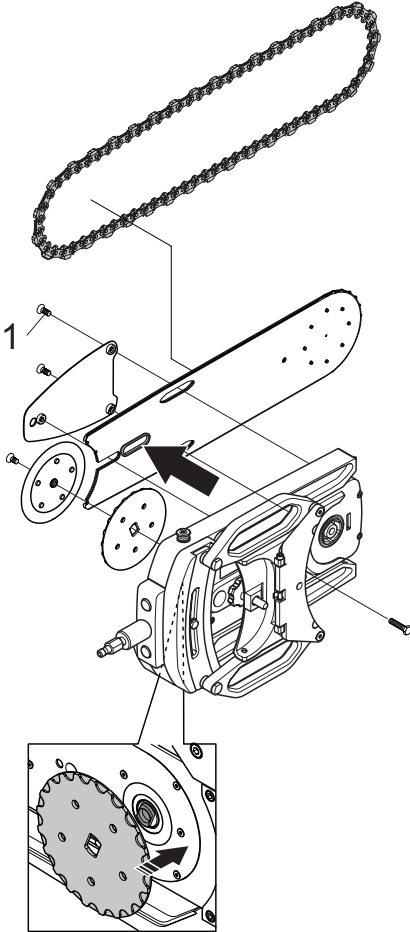


- 2 Clean all surfaces.

# MAINTENANCE

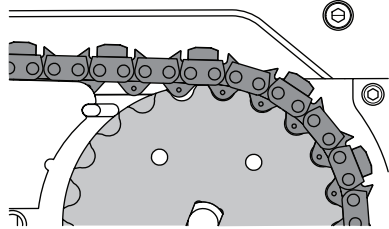
## Mounting after maintenance

- 1 Place the drive sprocket on the output shaft.
- 2 Assemble according to the illustration.

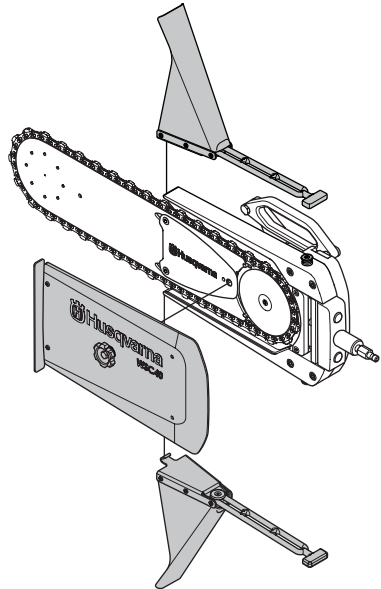


- 3 Tighten the 2 countersunk screws (1) with tightening torque 20 Nm.

- 4 Place the chain on the chain bar and make sure that the chain follows the nose sprockets and the drive sprockets carefully.



- 5 When the drive sprocket has been loosened the screw, threads and bolt head must be greased. If the screw is not properly greased it will loosen. Always tighten the screw with tightening torque 20 Nm (15 ft-lbs).
- 6 Use the twisting knob to adjust the chain tension. Check the chain tension. Tighten the clamping washer with the bolt. Use tightening torque 20 Nm (15 ft-lbs).
- 7 Replace the cover. Tighten the knob carefully by hand.



# TROUBLESHOOTING

## Troubleshooting schedule



**WARNING! If service operations or troubleshooting does not require the machine to be on, the engine should be switched off, and the stop switch in STOP position.**

Problem	Probable cause	Potential Solution
The machine works heavily or does not go into the material.	Wear on chain or bar.	Inspect and change if needed.
	New diamonds must be released in the chain.	Change the rotation direction of the chain.
The saw works crooked.	Wear on chain or bar.	Inspect and change if needed.
	The handle bar on the saw unit is bent.	Adjust or replace the handle bar.
The cutting works heavily, also outside of the material.	Too much grease at lubrication.	Let the saw rotate outside of the material for a minute.
	Incorrect assembly.	Inspect for incorrect assembly; clamping washer, drive sprocket, chain, bar, shaft
	Rust or corrosion.	Use grease to lubricate. Change parts at heavy corrosion.
The bar vibrates at certain speeds.	Worn drive wheel.	Inspect and change if needed.
Vibration levels are too high	Diamond chain fitted incorrectly	Check that the guide bar and diamond chain is fitted correctly and does not show signs of damage. See the instructions in the sections "Diamond chains" and "Maintenance".
Abnormal wear on chain or bar.	Too little water is used at sawing.	Change the diamond chain and make sure it is intact.
	Too high power output in PP 480 or PP 490.	Make sure you have selected the "chain" saw mode on the remote control. If this mode is missing, contact your Husqvarna service agent for a software update.
	Improper chain tension	Adjust the chain tension.
	Play in the assembly/incorrect assembly.	Move the machine back and forth to check that all parts are correctly assembled and that the wall mounting is correct.
In depth, the machine works in a bow.	The bar is damaged.	Permanent damage. Change bar.
	Cutting has been performed without pre-cutting with blade.	Permanent damage. Change bar.
	You have hit a piece of longitudinal iron.	Move the saw sideways and make a new cut.

# TECHNICAL DATA

## WSC 40

Power input max (kW)	9,2
Input, max (rpm)	1200
Power train	Gear drive
Drive torque input, Max (Nm)	230
Gearbox oil volume, (dl/fl oz)	1,5/5
Cooling water pressure - max, (bar/PSI)	10/145
Min. recommended water flow, (l/min / gal/min)	3,5/1
Cooling water max temp. at 3,5 l/min / 1 gal/min, (C/F)	60/140

### Weight

WSC 40 incl. two guards (kg/lbs)	19/42
Total weigh with transport box, (kg/lbs)	27/60

### Noise emissions (see note 1)

Sound power level, measured $L_w$ dB(A)	105
---	-----

### Sound levels (see note 2)

Sound pressure level at the operators ear, dB(A)	83
--	----

Note 1: Noise emissions to the environment measured as sound power ( $L_w$ ) in conformity with EN 15027/A1. General measurement uncertainty 2,5 dB(A).

Note 2: Noise pressure level according to EN 15027/A1.

General measurement uncertainty 4 dB(A).

## Recommended cutting equipment specification, chain

Guide bar and diamond chain	Number of diamond chain segments:	Diamond chain pitch, (mm/inch)	Diamond chain segment width, (mm/inch)	Max chain speed (m/s / ft/s)
24" (0,444")	37	11,582/0,444	5,7/0,22	28/92

## Recommended cutting equipment specification, guide bar

Guide bar length (mm/inches)	Max straight cutting depth, (mm/inches)	Max. cutting depth, (mm/inches)	Min. cutting width, (mm/inches)	Guide bar width with chain (mm/inch)	Guide bar width (mm/inches)
614/24	300/12	400/15,7	200/8	192/8	154/6



---

## TECHNICAL DATA

---

### EC Declaration of Conformity

(Applies to Europe only)

**Husqvarna AB**, SE-561 82 Huskvarna, Sweden, tel: +46-36-146500, declares under sole responsibility that the wall saw chain attachment **Husqvarna WSC 40** (in combination only with **Husqvarna WS 440/WS 482** and **Husqvarna high frequency power pack**), from 2016's serial numbers and onwards (the year is clearly stated in plain text on the rating plate with subsequent serial number), conforms with the requirements of the COUNCIL'S DIRECTIVE:

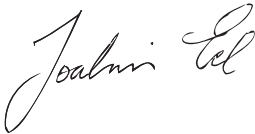
- of May 17, 2006 "relating to machinery" **2006/42/EC**.

The following standards have been applied:

EN ISO 12100:2010, EN 15027+A1:2009

Gothenburg May, 23 2016

Joakim Ed



Global R & D Director

Construction Equipment Husqvarna AB

(Authorized representative for Husqvarna AB and responsible for technical documentation.)

# ACLARACIÓN DE LOS SÍMBOLOS

## Símbolos en la máquina:

¡ATENCIÓN! La máquina, si se utiliza de forma errónea o descuidada, puede ser una herramienta peligrosa que puede causar daños graves e incluso la muerte al usuario y a otras personas.



Lea detenidamente el manual de instrucciones y asegúrese de entender su contenido antes de utilizar la máquina.



Utilice siempre:

- Casco protector homologado
- Protectores auriculares homologados
- Gafas protectoras o visor
- Máscara respiratoria



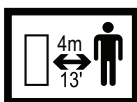
Riesgo de cortes. Mantenga todas las partes del cuerpo alejadas del equipo de corte.



Peligro de objetos volantes. El usuario debe permanecer siempre en un ángulo en diagonal detrás de la sierra en funcionamiento para evitar el riesgo de resultar golpeado por los restos del material.



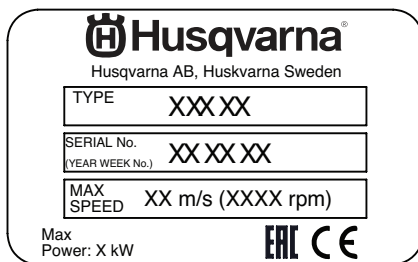
Mantenga una distancia de seguridad con respecto a la máquina. Para el operario, la distancia mínima de seguridad con respecto a las piezas móviles durante el funcionamiento de la máquina es de 4 metros (13 pies).



Este producto cumple con la directiva CE vigente.



## Placa de marcado de la máquina



Fila 1: Marca

Fila 2: Dirección del fabricante

Fila 3: Tipo

Fila 4: Número de serie (año, semana, número)

Fila 5: Régimen máx.

Fila 6: Potencia máxima, símbolos de certificaciones aplicables a determinados países.

## Explicación de los niveles de advertencia

Las advertencias se clasifican en tres niveles.

### ¡ATENCIÓN!



¡ATENCIÓN! Indica un riesgo de daños graves para el usuario o incluso muerte, o bien daños al entorno, si no se siguen las instrucciones del manual.

### ¡IMPORTANTE!



¡IMPORTANTE! Indica un riesgo de lesiones para el usuario o daños al entorno si no se siguen las instrucciones del manual.

### ¡NOTA!

¡NOTA! Indica un riesgo de daños en los materiales o en la máquina si no se siguen las instrucciones del manual.

Los demás símbolos/etiquetas que aparecen en la máquina corresponden a requisitos de homologación específicos en determinados mercados.

# ÍNDICE

## Índice

### ACLARACIÓN DE LOS SÍMBOLOS

Símbolos en la máquina: .....	26
Placa de marcado de la máquina .....	26
Explicación de los niveles de advertencia .....	26

### ÍNDICE

Índice .....	27
--------------	----

### PRESENTACIÓN

Apreciado cliente: .....	28
Diseño y funciones .....	28
WSC 40 .....	28

### ¿QUÉ ES QUÉ?

Componentes de la unidad WSC 40 .....	29
---------------------------------------	----

### EQUIPO DE SEGURIDAD DE LA MÁQUINA

Generalidades .....	30
---------------------	----

### CADENAS DE DIAMANTES

Generalidades .....	31
Revisión de la cadena .....	31
Revisión de la motosierra .....	31
Material .....	31
Pulido .....	31
Transporte y almacenamiento .....	31

### MONTAJE Y AJUSTES

Generalidades .....	32
Riel y accesorios del soporte de pared .....	32
Instalación del carro y de la sierra .....	32
Compruebe que la guía de protección de la hoja esté en paralelo con la hoja .....	32
Monte el anclaje de la cadena del cortamuro .....	32
Montaje de la cadena de diamante .....	34
Tensado de la cadena de diamante .....	34
Montaje de la protección antisalpicaduras .....	35
Conecte la unidad eléctrica .....	35
Desmonte el anclaje .....	35

### FUNCIONAMIENTO

Equipo de protección .....	36
Técnica básica de trabajo .....	39
Régimen recomendado de la cadena .....	40

### ARRANQUE Y PARADA

Antes del arranque .....	41
Arranque .....	41
Seleccione el modo de funcionamiento. ....	41
Calibración .....	41
Parada .....	41
Desmontaje de la sierra .....	41
Limpieza .....	41

### MANTENIMIENTO

Generalidades .....	42
Programa de mantenimiento .....	42
Limpieza .....	42
Inspección funcional .....	43

### LOCALIZACIÓN Y CORRECCIÓN DE AVERÍAS

Tabla de localización de fallos .....	47
---------------------------------------	----

### DATOS TECNICOS

WSC 40 .....	48
Especificación del equipo de corte recomendado, cadena .....	48
Especificación del equipo de corte recomendado, espada guía .....	48
Declaración CE de conformidad .....	49

# PRESENTACIÓN

## Apreciado cliente:

Gracias por elegir un producto Husqvarna.

Esperamos que su máquina le proporcione plena satisfacción y le sirva de ayuda por mucho tiempo en adelante. La adquisición de alguno de nuestros productos da acceso a asistencia profesional con reparaciones y servicio. Si la máquina no fue adquirida en un distribuidor oficial, preguntar en la tienda de compra la dirección del taller de servicio más cercano.

Este manual de instrucciones es un documento importante. Procure tenerlo siempre a mano en el lugar de trabajo. Siguiendo sus instrucciones (de uso, servicio, mantenimiento etcétera) puede alargar considerablemente la vida útil de la máquina e incrementar su valor de reventa. Si vende su máquina, entregar el manual de instrucciones al nuevo propietario.

## Más de 300 años de innovación

La fundación de la empresa sueca Husqvarna AB data del año 1689, cuando el Rey Karl XI encargó la construcción de una fábrica para la fabricación de mosquetes. En ese momento se establecieron los cimientos de la experiencia tecnológica en la que se basan muchos de los productos punteros en el mundo en el sector de las armas de caza, bicicletas, motocicletas, electrodomésticos, máquinas de coser y productos para exteriores.

Husqvarna es líder internacional en productos motorizados para exteriores destinados a la silvicultura, el mantenimiento de parques y el cuidado del césped y del jardín, así como equipos de corte y herramientas de diamante para el sector de la construcción y la piedra.

## Responsabilidad del propietario

El propietario / empresario es el responsable de asegurarse de que el usuario tiene los conocimientos necesarios para utilizar la máquina con seguridad. Los supervisores y los usuarios deben haber leído y entendido el manual de instrucciones. Deben tener conocimiento de lo siguiente:

- Las instrucciones de seguridad de la máquina.
- Las aplicaciones y las limitaciones de la máquina.
- El modo de uso y de mantenimiento de la máquina.

La utilización de esta máquina podría estar regulada por la legislación nacional vigente. Infórmese sobre la legislación vigente en el lugar donde trabaja antes de empezar a utilizar la máquina.

## Los derechos que se reserva el fabricante.

Tras la publicación de este manual, Husqvarna podría publicar información adicional para el funcionamiento seguro de este producto. Es responsabilidad del propietario mantenerse informado de los métodos de funcionamiento más seguros.

Husqvarna AB trabaja constantemente para perfeccionar sus productos y se reserva, por lo tanto, el derecho a

introducir modificaciones en la construcción y el diseño sin previo aviso.

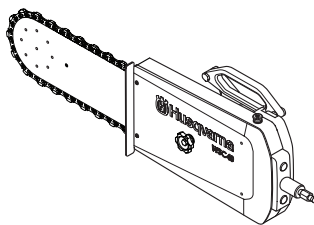
Para recibir información y atención como cliente, póngase en contacto con nosotros a través de nuestro sitio web: [www.husqvarna.com](http://www.husqvarna.com)

## Diseño y funciones

El alto rendimiento, la fiabilidad, la tecnología innovadora, las soluciones técnicas avanzadas y el respeto medioambiental son los valores que caracterizan a los productos de Husqvarna. El usuario debe leer este manual detenidamente para garantizar un funcionamiento seguro del producto. Póngase en contacto con su concesionario o con Husqvarna si necesita más información.

A continuación se describen algunas de las características únicas de su producto.

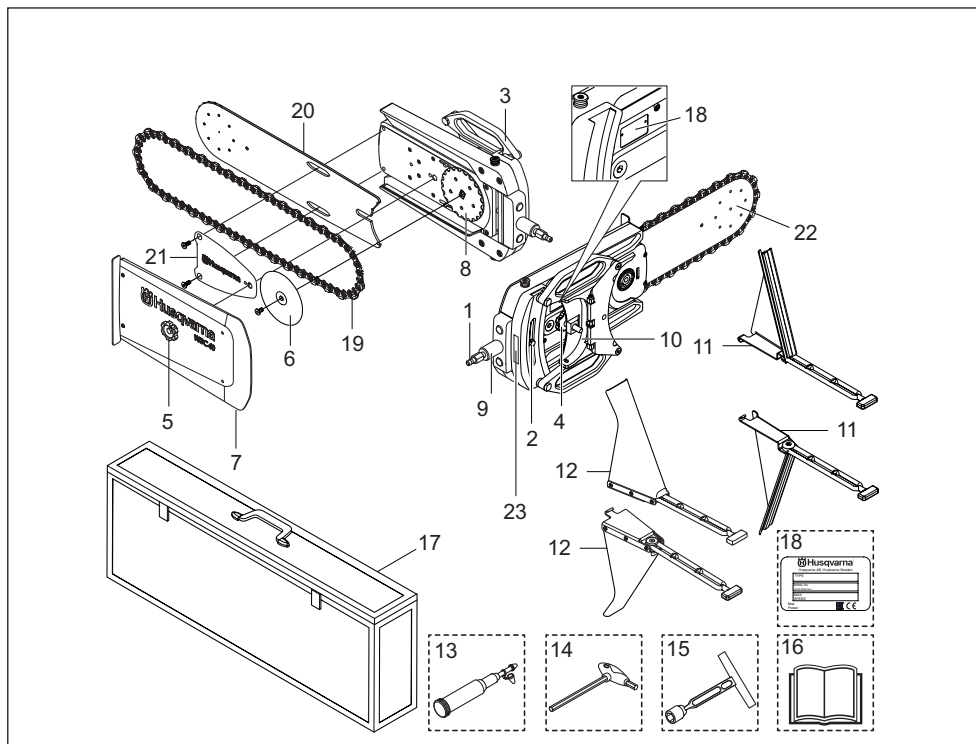
## WSC 40



Este anclaje de cadena de cortamuro forma parte de un sistema cortamuro y funciona con los cortamuros WS 440 y WS 482. El anclaje de cadena de cortamuro está diseñado y construido para cortar materiales duros como el hormigón reforzado, la piedra y otros materiales de albañilería y no debe utilizarse para funciones distintas a las descritas en este manual. Para manejar esta máquina, se necesita un Husqvarna WS 440/WS 482 y una unidad de alimentación de alta frecuencia Husqvarna.

- Este anclaje de cadena de cortamuro se utiliza para evitar sobrecortes al realizar el corte de aberturas.
- La máquina permite cortar pequeñas aberturas para ventilación, tuberías, etc.
- La velocidad de la cadena se controla y se ajusta de forma electrónica mediante el control remoto de la unidad de alimentación.
- La alineación entre la cadena y el carril es la misma que en las unidades WS 440 y WS 482 con hoja.
- El sentido de rotación de la cadena se puede controlar con el control remoto, que permite elegir el sentido del dispositivo de pulverización de agua.
- El diseño es ergonómico, compacto y ligero, lo que hace que sea una máquina muy fácil de transportar.
- El software específico para WSC 40 se instala en la unidad de alimentación y efectúa ajustes automáticos de los movimientos del motor de avance para realizar cortes de profundidad rectos. Asegúrese de que tiene instalada la versión de software más reciente en la unidad de alimentación.

## ¿QUÉ ES QUÉ?



### Componentes de la unidad WSC 40

- |    |  |    |                                |
|----|--|----|--------------------------------|
| 1  | Conexión de la manguera, entrada de agua | 13 | Pistola de grasa               |
| 2  | Tornillo de ajuste de ángulo             | 14 | Llave Allen (5 mm)             |
| 3  | Mango paralelo                           | 15 | Llave T (13 mm)                |
| 4  | Manija de cierre de la abrazadera        | 16 | Manual de instrucciones        |
| 5  | Manija de cierre                         | 17 | Caja de almacenamiento         |
| 6  | Arandela de sujeción                     | 18 | Placa de marcado de la máquina |
| 7  | Cubierta de la transmisión               | 19 | Cadena de diamante             |
| 8  | Piñón de arrastre de la cadena           | 20 | Espada                         |
| 9  | Mando de ajuste de tensión de la cadena  | 21 | Placa de sujeción              |
| 10 | Abrazadera para asa de cortamuro         | 22 | Rueda delantera                |
| 11 | Protección de corte al ras               | 23 | Rótulo de advertencia          |
| 12 | Protección contra salpicaduras           |    |                                |

# EQUIPO DE SEGURIDAD DE LA MÁQUINA

## Generalidades

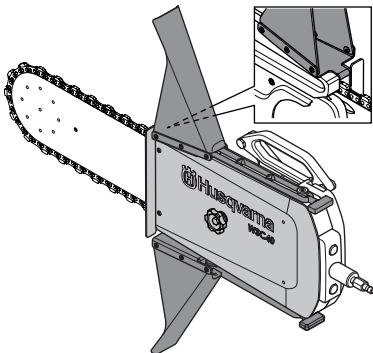
En este capítulo se describen los componentes de seguridad de la máquina, su función y el modo de efectuar el control y el mantenimiento para garantizar un funcionamiento óptimo. En cuanto a la ubicación de estos componentes en su máquina, vea el capítulo Qué es qué.



**¡ATENCIÓN!** Nunca utilice una máquina que presente equipo de seguridad defectuoso. El equipo de seguridad se debe inspeccionar y mantener. Si el equipo de seguridad o cualquier pieza de la máquina presenta algún daño, llévalo a un taller de servicio para que lo reparen.

## Cubierta y protecciones antisalpicaduras

La cubierta y la protección antisalpicaduras deben utilizarse siempre que se efectúe un corte con la sierra.



La cubierta y la protección antisalpicaduras evitan el contacto con las piezas móviles y protegen contra los residuos que salen despedidos, el agua y el barro producido por el hormigón. Las protecciones antisalpicaduras también están diseñadas para recoger la cadena de diamante si esta se rompe o se sale.

Se recomienda que las dos protecciones antisalpicaduras estén instaladas, pero en algunas aplicaciones (corte alineado con el suelo o el techo), se podría retirar provisionalmente una de estas protecciones. Como mínimo, debe permanecer instalada la protección antisalpicaduras del sentido de la pulverización. Vuelva a montar la protección antisalpicaduras después de realizar el corte.

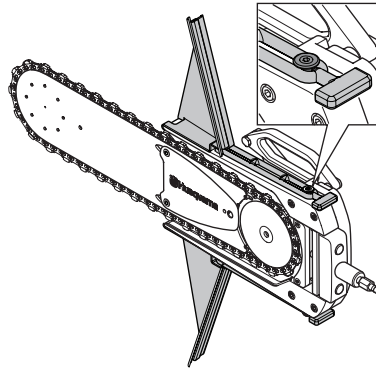
Compruebe la cubierta y la protección antisalpicaduras.

Asegúrese de que no hay grietas o agujeros en la cubierta ni las protecciones producidos por los residuos que salen despedidos.

Sustituya la cubierta o las protecciones si están dañadas.

## Protecciones para corte al ras

Esta máquina puede usarse para realizar cortes al ras. Para cortar al ras, se emplean unas protecciones antisalpicaduras especialmente diseñadas. Estas protecciones solo están permitidas para cortar al ras.



Compruebe las protecciones para ver si presentan desperfectos o desgaste. Asegúrese de que no las protecciones no estén dañadas. Sustituya las protecciones si están dañadas.

## Unidad de alimentación

Compruebe el equipo de seguridad de la unidad de alimentación que se proporciona. Consulte el manual de usuario de la unidad de alimentación.

Compruebe también las instrucciones de seguridad y las instrucciones que figuran en los manuales del usuario para conocer el tipo de cortamuro y unidad de alimentación que debe utilizar.

# CADENAS DE DIAMANTES

## Generalidades



**¡ATENCIÓN!** Las roturas de cadena pueden causar daños personales graves si la cadena es lanzada contra el operador. ¡La utilización de un equipo de corte erróneo o una combinación incorrecta de espada/cadena aumenta el riesgo de reculada! Utilice solamente las combinaciones de espada/cadena recomendadas por nosotros.

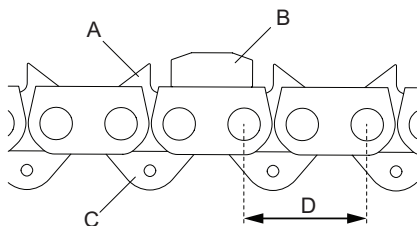


**¡ATENCIÓN!** Desconecte siempre el cable de alimentación que se encuentra enchufado a la unidad de corte antes de realizar cualquier trabajo de instalación, limpieza y mantenimiento. Un descuido podría ocasionar lesiones físicas graves o incluso la muerte.



**¡ATENCIÓN!** Para manipular la cadena deben utilizarse guantes protectores.

- a) Eslabón de arrastre con sistema antirrebote
- B) Eslabón de corte con segmento de diamantes
- C) Guía de la cadena



Paso de cadena de diamante:  $\text{Paso} = D/2$

Esta unidad únicamente debe utilizarse con una cadena con sistema antirrebote doble, puesto que la máquina se puede utilizar en dos sentidos de rotación.

Cuando se utiliza una cadena con sistema antirrebote doble, esta puede montarse en ambas direcciones.

## Revisión de la cadena

- Revise la cadena para comprobar que no presenta señales de daños como enlaces de eslabones con huelgo o rotura de guías de segmento, eslabones de arrastre o segmentos. Si la cadena de diamante está dañada, sustitúyala.
- Si la cadena ha sido sometida a un atasco fuerte u otra carga anormalmente grande, desmóntela de la espada y revisela a fondo.

## Revisión de la motosierra

La motosierra está equipada con diversos dispositivos de seguridad que protegen al operador en caso de rotura de la cadena. Estos dispositivos de seguridad deben revisarse antes de iniciar el trabajo. No utilice nunca la motosierra si falta o está dañado alguno de estos componentes:

- Tapa de la transmisión
- Cadena dañada
- La protección antislipcaduras falta o está dañada

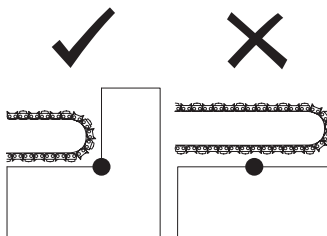
## Material



**¡ATENCIÓN!** Bajo ninguna circunstancia debe convertirse la motosierra de diamante para cortar otros materiales que aquellos para los que está destinada. Nunca se debe equipar con una cadena de sierra para madera o leña.

Esta máquina está diseñada y prevista para serrar hormigón, ladrillos y distintos tipos de piedra. Cualquier otro uso se considerará inadecuado.

La motosierra no debe emplearse nunca para cortar metales puros, ya que de hacerlo es probable que se produzca rotura de segmentos o de la cadena. Los segmentos de diamantes resisten el corte de hormigón armado. Procure cortar la armadura junto con la mayor cantidad posible de hormigón para limitar el desgaste de la cadena.



## Pulido

Después de cortar hormigón o piedra de una dureza excepcional, el segmento de diamante podría perder una parte o toda su capacidad de corte. Esto también puede ocurrir si se ve obligado a cortar con una presión parcial baja (la cadena de diamante ataca la pieza de trabajo con toda la longitud de la espada). La solución a este problema es cambiar el sentido de rotación de la cadena.

## Transporte y almacenamiento

- Una vez finalizado el trabajo, la motosierra de diamante deberá funcionar durante al menos 15 segundos bajo agua a presión para limpiar y eliminar los residuos de la espada, la cadena y el mecanismo motor. Enjuague la máquina con agua. Si la máquina no se utiliza durante un tiempo, se aconseja lubricar la cadena y la espada para evitar la corrosión.
- Compruebe que el equipo de corte no se haya dañado durante el transporte o almacenamiento.

# MONTAJE Y AJUSTES

## Generalidades



**¡ATENCIÓN!** Desconecte siempre el cable de alimentación que se encuentra enchufado a la unidad de corte antes de realizar cualquier trabajo de instalación, limpieza y mantenimiento. La utilización del equipo sin el debido cuidado puede causar lesiones graves e incluso la muerte.

## Riel y accesorios del soporte de pared

Monte el sistema según las instrucciones del manual de usuario del cortamuro correspondiente.

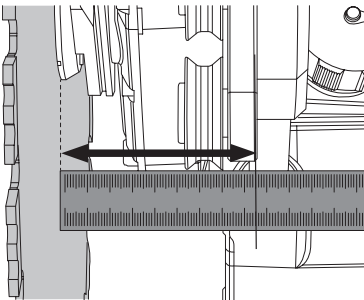
## Instalación del carro y de la sierra

Monte el sistema según las instrucciones del manual de usuario del cortamuro correspondiente.

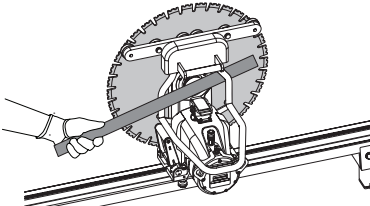
## Compruebe que la guía de protección de la hoja esté en paralelo con la hoja

Para alinear la unidad WSC 40 con el corte, asegúrese de que no se haya producido ninguna deformación en el manillar del cortamuro.

- 1 Monte la guía de protección de la hoja sobre la guía y mida entre cada una de las ruedas de los extremos y la hoja. La medición entre la parte exterior de la guía de rueda y la hoja ha de ser de aproximadamente 102 +/- 2 mm.



- 2 Si la diferencia es mayor de 2 mm, retire la guía y ajuste el bastidor con una barra de hierro para hacer que se guía se sitúe paralela a la hoja.



## Monte el anclaje de la cadena del cortamuro

**¡IMPORTANTE!** Mantenga siempre la máquina en la caja que se proporciona cuando no la utilice.



**¡ATENCIÓN!** Proteja las manos con guantes.



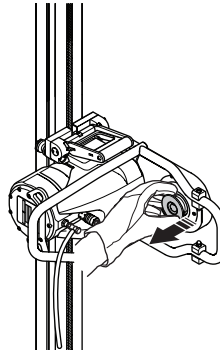
**¡ATENCIÓN!** Solo una persona debería llevar a cabo el procedimiento de montaje de la máquina para evitar imprevistos.



**¡ATENCIÓN!** Riesgo de lesiones por aplastamiento. Sujetar la máquina con firmeza.

**¡IMPORTANTE!** Durante el montaje, mantenga el suelo limpio. Asegúrese de que no haya objetos en el camino.

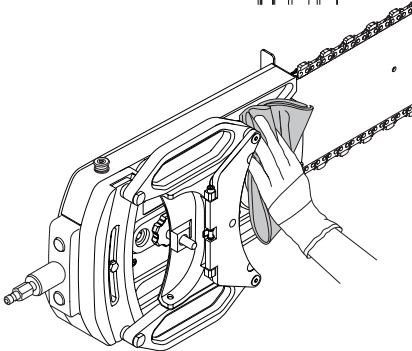
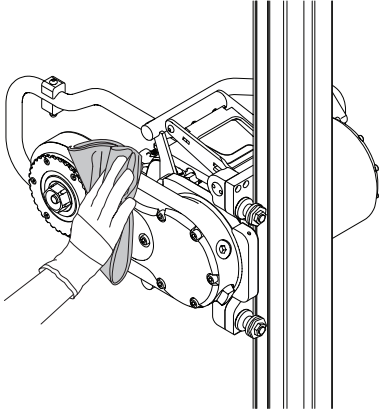
- 1 Desmonte la hoja y la brida de la hoja según las instrucciones del manual de usuario del cortamuro correspondiente.
- 2 Asegúrese de que el cubo del eje se encuentre en la posición externa. No es posible fijar la unidad WSC 40 si el eje hexagonal se encuentra en la posición interna.



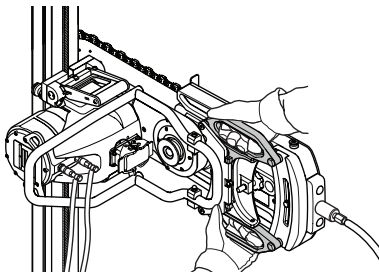


## MONTAJE Y AJUSTES

- 3 Asegúrese de que las superficies de la máquina y del cabezal de la sierra estén limpias.

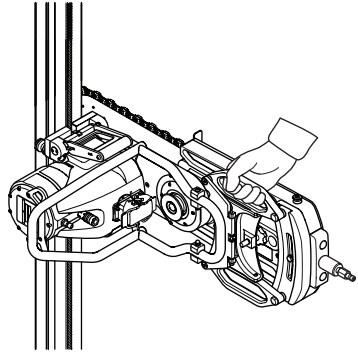


- 4 Utilice las dos manos para levantar la máquina por el asa paralela de la caja de almacenamiento.

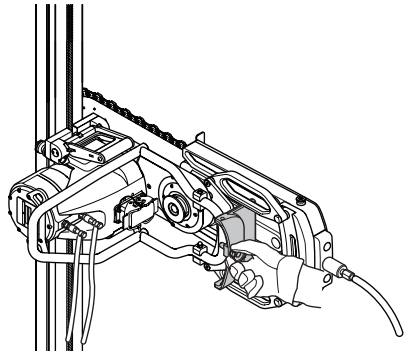


- 5 Deslice la unidad WSC 40 sobre el brazo del cortamuro. Empuje el eje hexagonal mientras desplaza la unidad cuidadosamente alrededor del centro para alinear el eje. El eje debería quedar bloqueado en la posición intermedia; compruébelo tirando del anclaje de la cadena del cortamuro.

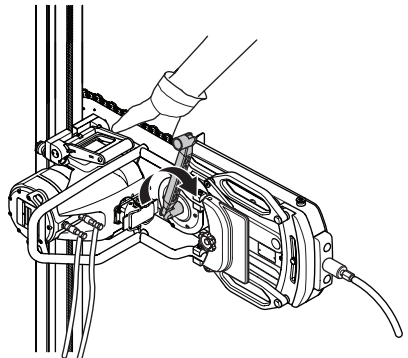
- Asegúrese de que la máquina esté bloqueada en el brazo de la sierra.



- 6 Doble la abrazadera que bloquea el anclaje al manillar. Apriete la manija de cierre.

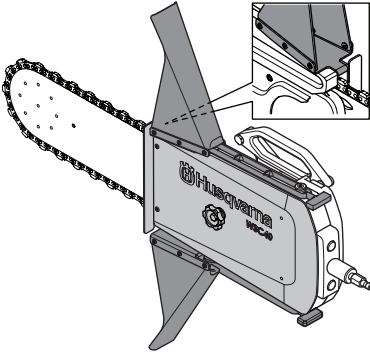


- 7 Apriete la máquina al cabezal de la sierra con el perno del cubo del eje. Coloque una mano sobre la cadena para comprobar la resistencia. No olvide usar guantes. Use la llave de 18 mm que se incluye en la caja de herramientas. Utilice el par de apriete de 70-80 Nm (52-59 lb-ft).

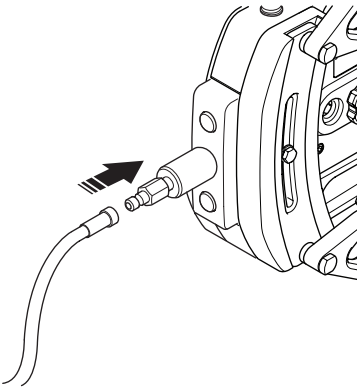


## MONTAJE Y AJUSTES

- 8 Monte las protecciones antispicaduras.



- 9 Conecte la manguera de agua.



**¡ATENCIÓN!** Compruebe que el montaje es correcto antes de conectar el cable de alimentación.

### Montaje de la cadena de diamante



**¡ATENCIÓN!** Nunca monte ni desmonte la herramienta o las protecciones sin antes desconectar el cable de alimentación de la unidad de corte. Un descuido podría ocasionar lesiones físicas graves o incluso la muerte.



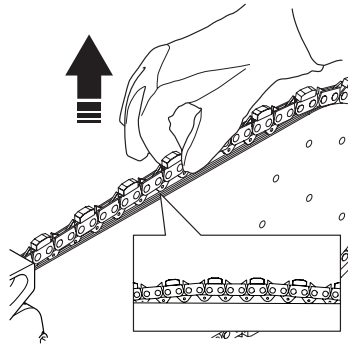
**¡ATENCIÓN!** Tenga cuidado al montar el anclaje de la cadena del cortamuro para que no se afloje durante el corte. La utilización del equipo sin el debido cuidado puede causar lesiones graves e incluso la muerte.

### Tensado de la cadena de diamante

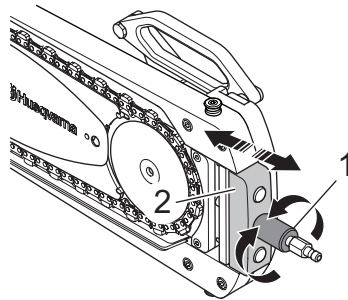


**¡ATENCIÓN!** Una cadena de diamante poco tensa puede soltarse y causar lesiones graves, incluso mortales.

La tensión correcta de la cadena de diamante en esta máquina difiere de las de otras motosierras. Cuando la cadena está perfectamente tensa, se encuentra tirante en la espada de la cadena y forma un círculo perfecto alrededor de esta última. Después de tensar, todavía debería ser posible levantar la cadena para que las guías de la cadena se sitúen paralelas a la espada de la cadena y para que la cadena se mueva con facilidad.



Afloje el tornillo de la arandela de sujeción desde atrás con una llave T de 13 mm. Utilice la manija de ajuste para tensar la cadena.

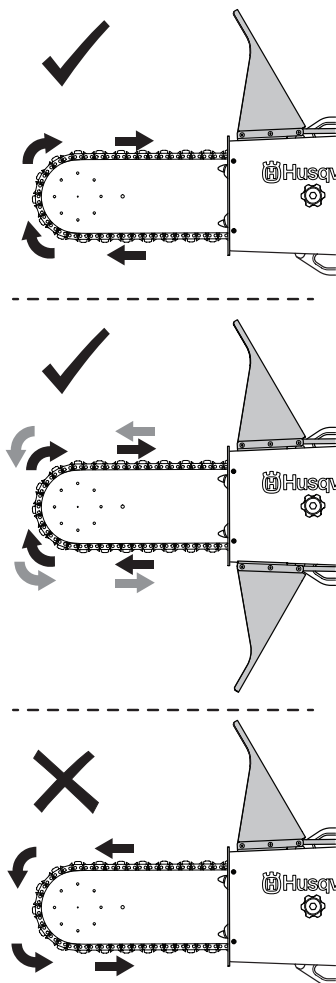


## Montaje de la protección antisalpicaduras

La protección antisalpicaduras del equipo de corte debería instalarse en los laterales de la máquina con correas de goma. La protección recoge las salpicaduras y chispas del material que se corta y evita que entren en contacto con el usuario.

Dado que se puede seleccionar el sentido de rotación de la cadena de diamante, también es posible seleccionar el sentido de la pulverización del agua desde la cadena, independientemente del sentido de giro de la sierra en el raíl.

Tanto si la sierra se utiliza para corte al ras como para corte normal, las protecciones antisalpicaduras se instalan en el sentido de rotación de la cadena.



## Conecte la unidad eléctrica



**¡ATENCIÓN!** Este producto está diseñado únicamente para utilizarse junto con unidades de alimentación Husqvarna PP 400. Está prohibida cualquier otra aplicación.

Lea el manual de instrucciones suministrado con la unidad eléctrica antes de utilizar la máquina.

La potencia máxima que recibe la unidad son 9,2 kW y, por lo tanto, se muestra el modo de 16 A cuando se usa la unidad WSC 40 con PP 480 y PP 490. Este parámetro se ajusta automáticamente al seleccionarse el modo de cadena en el control remoto. Compruebe que la unidad de alimentación se encuentre actualizada con la versión de software más reciente.

## Desmonte el anclaje



**¡ATENCIÓN!** Desconecte siempre el cable de alimentación que se encuentra enchufado a la unidad de corte antes de realizar cualquier trabajo de instalación, desmontaje, limpieza y mantenimiento. La utilización del equipo sin el debido cuidado puede causar lesiones graves e incluso la muerte.

- 1 Desconecte el conductor de alimentación de entrada y la manguera de entrada de agua.
- 2 Retire las protecciones antisalpicaduras.
- 3 Coloque una mano sobre la cadena para evitar que se mueva y afloje el perno del cubo del eje con la llave de 18 mm. Desatornille el perno y asegúrese de que el cubo del eje se encuentra en la posición intermedia.
- 4 Agarre firmemente la conexión de agua de la unidad WSC 40. Desatornille la manija de cierre situada en la abrazadera de sujeción. Doble la abrazadera de sujeción para fijar las asas paralelas.
- 5 Agarre firmemente el asa paralela con la mano libre. Saque el cubo del eje del brazo del cortamuro hasta la posición externa. Retire la máquina.
- 6 Mantenga siempre la máquina en la caja que se proporciona cuando no la utilice.

# FUNCIONAMIENTO

## Equipo de protección

### Generalidades

No use nunca una máquina si no tiene posibilidad de pedir auxilio si se produce un accidente.

### Equipo de protección personal

Para trabajar con la máquina debe utilizarse un equipo de protección personal homologado. El equipo de protección personal no elimina el riesgo de lesiones, pero reduce su efecto en caso de accidente. Pida a su distribuidor que le asesore en la elección del equipo.



**¡ATENCIÓN! El uso de productos que cortan, puen, taladran, alisan o forman materiales puede generar polvo y vapores que pueden contener sustancias químicas dañinas. Averiguar la composición del material con que se trabaja y usar una máscara respiratoria adecuada.**

**La exposición prolongada al ruido puede causar daños crónicos en el oído. Por consiguiente, use siempre protectores auriculares homologados. Cuando use protección auditiva preste siempre atención a las señales o llamados de advertencia. Sáquese siempre la protección auditiva inmediatamente después de parar el motor.**

**Existe siempre riesgo de accidentes por apriete al trabajar con aparatos con piezas móviles. Usar guantes protectores para evitar lesiones.**

Utilice siempre:

- Casco protector homologado
- Protectores auriculares
- Protección ocular homologada. Si se utiliza visor, deben utilizarse también gafas protectoras homologadas. Por gafas protectoras homologadas se entienden las que cumplen con la norma ANSI Z87.1 para EE.UU. o EN 166 para países de la UE. El visor debe cumplir con la norma EN 1731.
- Máscara respiratoria
- Guantes resistentes de agarre seguro.
- Prendas de vestir ceñidas, resistentes y cómodas que permitan una libertad de movimientos total. No lleve pantalones cortos.
- Botas con puntera de acero y suela antideslizante.
- Tener en cuenta que las ropas, el pelo largo y las joyas pueden atascarse en piezas móviles.

## Otros equipos de protección



**¡ATENCIÓN! Mientras trabaja con la máquina, pueden producirse chispas que podrían ocasionar un incendio. Tenga siempre a mano herramientas para la extinción de incendios.**

- Extintor de incendios
- Kit de primeros auxilios

## Instrucciones generales de seguridad



**¡ATENCIÓN! Lea todas las advertencias e instrucciones de seguridad. El incumplimiento de las advertencias e instrucciones de seguridad puede ocasionar descargas eléctricas, incendios o lesiones graves.**

Este apartado trata las normas de seguridad básicas para trabajar con el dispositivo. Esta información no sustituye en ningún caso los conocimientos y la experiencia de un profesional. Si se encuentra en alguna situación que le haga sentirse inseguro, deténgase y consulte con un experto. Consulte a su distribuidor, al taller de servicio técnico o a un usuario experimentado. No emplee la máquina en aplicaciones para las que no se considere plenamente cualificado.

- Lea detenidamente el manual de instrucciones y asegúrese de entender su contenido antes de utilizar la máquina.
- Lea el manual de instrucciones suministrado con la unidad eléctrica antes de utilizar la máquina.
- Esta máquina está diseñada únicamente para utilizarse junto con una unidad Husqvarna WS 440/ WS 482. Está prohibido utilizarla de cualquier otra forma.
- La máquina puede ocasionar lesiones graves. Lea atentamente las instrucciones de seguridad. Aprenda a utilizar la máquina.
- Debe tenerse en cuenta que el operador es responsable de los accidentes o riesgos que ocurran a otras personas o a su propiedad.
- Todos los operadores deben ser formados en el empleo de la máquina. El propietario es responsable de la formación de los operadores.
- La máquina debe mantenerse limpia. Los letreros y las pegatinas deben ser legibles en su totalidad.
- Conserve todas las advertencias e instrucciones para su consulta.

# FUNCIONAMIENTO



**¡ATENCIÓN! La máquina, si se utiliza de forma errónea o descuidada, puede ser una herramienta peligrosa que puede causar daños graves e incluso la muerte al usuario y a otras personas.**

**No permita bajo ningún concepto el empleo o mantenimiento de la máquina por los niños u otras personas no instruidas en el manejo de la misma.**

**Nunca deje que terceros utilicen la máquina sin asegurarse primero de que hayan entendido el contenido de este manual de instrucciones.**



**¡ATENCIÓN! Las modificaciones y/o el uso de accesorios no autorizados comportan riesgo de daños personales graves y peligro de muerte para el usuario y otras personas.**

**No modifique nunca esta máquina de forma que se desvíe de la versión original, y no la utilice si parece haber sido modificada por otras personas.**

**No utilice en ningún caso una máquina, batería o cargador de batería defectuoso. Siga las instrucciones de mantenimiento, control y servicio de este manual. Algunas medidas de mantenimiento y servicio deben ser efectuadas por especialistas formados y cualificados. Consulte las instrucciones en el título Mantenimiento.**

**Utilice piezas originales exclusivamente.**

## Emplee siempre el sentido común

Es imposible abarcar todas las situaciones en las que puede encontrarse. Utilice siempre el equipo con cuidado y sentido común.

Si se encuentra en alguna situación que le haga sentirse inseguro, deténgase y consulte con un experto. Consulte a su distribuidor, al taller de servicio técnico o a un usuario experimentado. No emplee la máquina en aplicaciones para las que no se considere plenamente cualificado.

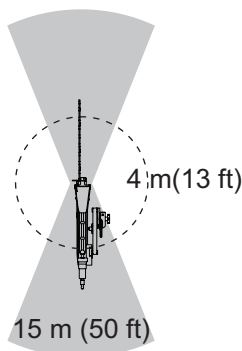
## Seguridad en el área de trabajo

- Compruebe siempre la parte posterior de la pared por donde sobresalen la espada guía y la cadena de diamante al cortar a través. Proteja la zona, delimítela y asegúrese de que ninguna persona pueda resultar herida y que no se produzcan daños materiales.
- Averigüe y marque siempre la ubicación del trazado de las tuberías de gas. El corte cerca de las tuberías de gas siempre es peligroso. Procure que no se generen chispas al cortar, debido al riesgo de

explosión. Trabaje concentrado en su tarea. La negligencia comporta riesgo de daños personales graves y peligro de muerte.

- Asegúrese de que no haya tuberías o cables eléctricos en la zona de trabajo o en el material que vaya a cortar.
- Asegúrese de que no haya cables eléctricos con corriente en la zona de trabajo.
- Asegúrese de que no haya personas desautorizadas en la zona de trabajo, de lo contrario se corre el riesgo de ocasionar graves daños personales. La distancia de seguridad es de 15 metros (50 ft).
- No trabaje en condiciones atmosféricas desfavorables como niebla, lluvia intensa, tempestad, frío intenso, etc.
- Trabajar con mal tiempo es cansador y puede crear condiciones peligrosas, por ejemplo suelo resbaladizo.
- Controle que la zona de trabajo esté bien iluminada para lograr un entorno seguro.
- Cerciérese siempre de tener una posición de trabajo segura y firme.

## Zona de riesgo de la máquina



**¡ATENCIÓN! Asegúrese de que no haya personas desautorizadas en la zona de trabajo, de lo contrario se corre el riesgo de ocasionar graves daños personales. La distancia de seguridad es de 15 metros (50 ft).**

# FUNCIONAMIENTO



**¡ATENCIÓN!** Para el operario, la distancia mínima de seguridad con respecto a las piezas móviles durante el funcionamiento de la máquina es de 4 metros (13 pies). El usuario debe permanecer siempre en un ángulo en diagonal detrás de la sierra en funcionamiento para evitar el riesgo de resultar golpeado por los restos del material. Tenga especial cuidado al arrancar, cuando la sierra penetra en el material.

**¡IMPORTANTE!** Las personas que no vayan equipadas con la protección descrita anteriormente deberán mantenerse fuera de la zona de riesgo, debido al peligro que suponen los materiales que salen despedidos.

## Seguridad eléctrica

Consulte los apartados sobre seguridad eléctrica de los manuales del cortamuro y la unidad de alimentación que utilice.



**¡ATENCIÓN!** No lave a presión la máquina, ya que el agua puede entrar en el sistema eléctrico o el motor y causar daños en la máquina o un cortocircuito.

## Seguridad personal

- No abandonar nunca la máquina sin vigilar, con el motor en marcha.
- Nunca utilice la sierra sin tener al alcance el botón de parada de emergencia del control remoto o de la unidad eléctrica. Consulte el manual de la unidad eléctrica.
- Al trabajar con las máquinas, procure siempre que haya alguien cerca, que pueda prestar ayuda en caso de accidente.
- Las personas que trabajan cerca de la máquina deben usar el equipo de protección obligatorio, incluidos protectores auriculares, ya que el nivel sonoro al cortar es superior a 85 dB (A).
- Proceda con cuidado en las elevaciones. Las piezas son pesadas, por lo que hay riesgo de daños por apriete y daños personales de otro tipo.
- Las personas y los animales pueden distraer y hacer perder el control de la máquina. Por consiguiente, el operador debe estar siempre concentrado en su trabajo.
- Tener en cuenta que las ropas, el pelo largo y las joyas pueden atascarse en piezas móviles.
- **Quite todas las clavijas de ajuste o llaves de tuercas antes de encender la herramienta eléctrica.** Una llave de tuercas o clavija de ajuste que se ha dejado colocada en una pieza giratoria de la herramienta eléctrica puede causar lesiones.

- Mantenga bajo vigilancia la máquina siempre que el motor esté en marcha.
- Riesgo por peligro de aplastamiento. Si se monta de forma incorrecta, la máquina puede caer y dañar al operario.
- Proceda con cuidado en las elevaciones. Las piezas son pesadas, por lo que hay riesgo de daños por apriete y daños personales de otro tipo.

## Uso y cuidado

- Nunca monte ni desmonte herramientas o protecciones sin antes desenchufar el cable de alimentación conectado a la unidad de corte.
- Nunca desconecte el cable sin desconectar antes la unidad eléctrica y esperar a que la máquina se detenga por completo.
- No realice cortes nunca sin usar las protecciones adecuadas.
- Compruebe que la cadena no esté en contacto con ningún objeto al arrancar la máquina.
- Para el operario, la distancia mínima de seguridad con respecto a las piezas móviles durante el funcionamiento de la máquina es de 4 metros (13 pies). El usuario debe permanecer siempre en un ángulo en diagonal detrás de la sierra en funcionamiento para evitar el riesgo de resultar golpeado por los restos del material.
- Debe emplearse siempre refrigeración por agua. De este modo se enfría la cadena y la espada de la cadena, se aumenta la vida útil de las mismas se evita la acumulación de polvo.
- Compruebe que todas las juntas, conexiones y cables están intactos y limpios.
- Antes de empezar a cortar, todos los cortes que se van a hacer deben marcarse con claridad y planificarse para que se puedan hacer sin riesgo de dañar a personas o la máquina.
- Sujete o ancle con firmeza los bloques de hormigón antes de cortarlos. El elevado peso del material cortado puede causar daños materiales y lesiones personales graves si no se puede mover en condiciones controladas.

## Transporte y almacenamiento

- Desenchufe siempre el cable eléctrico antes de mover el equipo.
- Desmonte el disco y el protector del disco antes de transportar y almacenar el equipo.
- Guarde el equipo en un lugar seguro fuera del alcance de los niños y las personas no autorizadas.
- Si existe riesgo de congelación, drene el agua refrigeradora restante del dispositivo.
- Utilice las cajas suministradas para guardar el equipo.

# FUNCIONAMIENTO

## Técnica básica de trabajo



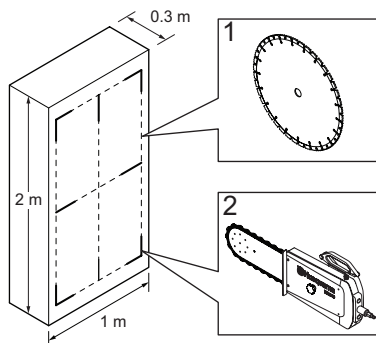
**¡ATENCIÓN!** La técnica de trabajo correspondiente a la unidad WSC 40 solo es válida para este producto. Nunca adapte estas técnicas de trabajo a otros equipos.



**¡ATENCIÓN!** Utilice siempre una hoja con segmentos más anchos que los de la cadena. Esta instrucción es extremadamente importante si se dispone a usar una máquina de mano para finalizar el corte. Si se usa una máquina con guía de rail como la WSC 40, puede omitir esta indicación.

Empiece a cortar con el cortamuro con hoja (1) según se indica en la ilustración. Después, use el anclaje de la cadena del cortamuro (2) como se indica en la ilustración.

El corte se realiza según la ilustración:



Haga avanzar la hoja de 3 a 7 cm (1,2'-2,8'). Realice un corte de guía para obtener un corte recto y una base para el siguiente corte. El corte debe hacerse con cuidado. El brazo de corte permite utilizar hojas de hasta 1000 mm (40 pulgadas) como hoja inicial. Sin embargo, se aconseja comenzar a cortar con una hoja de 800 mm (31,5 pulgadas).

- Cuando esté terminado el corte de guía, se pueden hacer cortes más profundos. La profundidad de los mismos se determina según el caso y depende de factores como la dureza del hormigón, la presencia de hierros de armadura, etc.
- Si cambia los discos para que trabajen a mayor profundidad en el mismo corte, asegúrese de que el grosor del disco se corresponda con el ancho del surco.
- Deje que la máquina trabaje sin forzar ni presionar el disco.

Una vez finalizados los cortes con la hoja, sustituya esta por el anclaje de la cadena del cortamuro y corte el material restante para obtener esquinas puntiagudas.

Si se corta en un hormigón fuertemente armado o un aglomerado duro, debería comenzar el corte A menos 50 mm (2 pulgadas) desde la esquina. Consulte la tabla que figura en la sección Sobrecortes para conocer las cotas A.

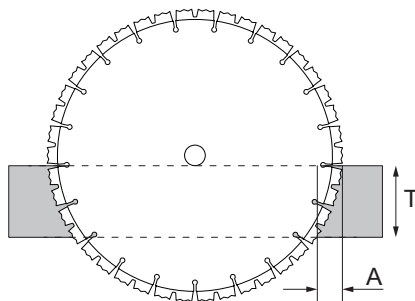
**¡NOTA!** Cambie el ajuste del control remoto a modo de cadena cuando utilice el anclaje de la cadena del cortamuro.

Introduzca el anclaje de la cadena del cortamuro en la pared y corte con la rueda delantera. El software ajustará automáticamente el desplazamiento longitudinal para realizar el corte con la rueda delantera. Asegúrese de que haya suficiente espacio para el soporte de sierra en el tope del carril al comenzar a cortar (elija el sentido correcto de rotación del brazo).

**¡NOTA!** Asegúrese de que el modo de cadena se encuentre seleccionado en el control remoto. Si no es así, la herramienta sufrirá un desgaste excesivo.

## Sobrecorte

La longitud de sobrecorte depende del grosor de la pared y de la hoja que se utilice.

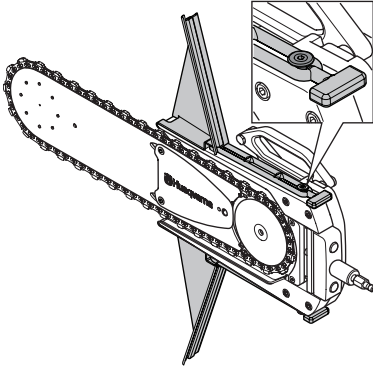


Tamaño de la hoja	800 mm/32"	1000 mm/40"
T (mm/inch)	A (sobrecorte en mm/pulg.)	
200/8	100/4	80/3
250/10	160/6	120/5
300/12	250/10	160/6
350/14	-	230/9
400/16	-	335/13

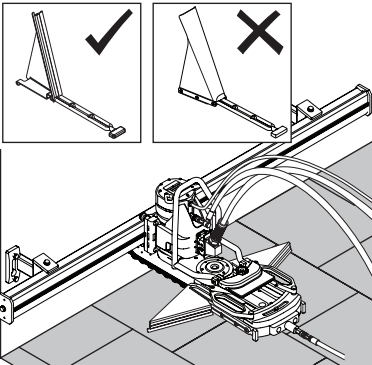
# FUNCIONAMIENTO

## Corte liso

Retire las protecciones antisalpicaduras para corte normal y la tapa de la transmisión. Sustituya las protecciones antisalpicaduras por las protecciones para corte al ras.



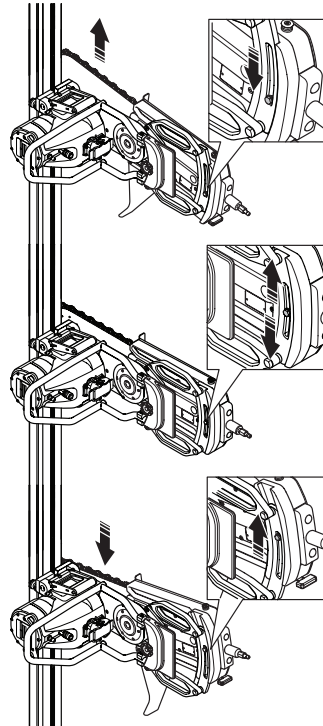
Se recomienda que las dos protecciones para corte al ras estén instaladas, pero en algunas aplicaciones (corte alineado con el suelo o el techo), se podría retirar provisionalmente una de estas protecciones. Como mínimo, debe permanecer instalada la protección que se encuentre en el sentido de rotación de la cadena. Cambie la protección después de cortar.



## Ajuste de ángulo

El ajuste de ángulo se usa para obtener un corte perfecto en ángulos cerca de techos, paredes o suelos. Ajuste el ángulo hasta su posición máxima. El sentido depende del corte.

Desenrosque el tornillo y ajuste el ángulo.



**¡ATENCIÓN!** Apriete siempre el tornillo a un par de 20 Nm (15 lb-ft).

## Régimen recomendado de la cadena

Para conseguir el mejor rendimiento de corte, utilice el régimen de corte máximo de 28 m/s (92 ft/s) en hormigón de dureza baja e intermedia.

Si se usa la unidad WS 482, asegúrese de que el engranaje mecánico 2 esté acoplado para visualizar correctamente el régimen de la cadena.

**¡NOTA!** Cortar a revoluciones demasiado bajas puede ocasionar daños en la cadena y en la espada de la cadena. Compruebe que se ha seleccionado el engranaje mecánico correcto. Para cortar hormigón duro, se debe usar un régimen más bajo de la cadena que para cortar hormigón blando.



# ARRANQUE Y PARADA

## Antes del arranque

- Cerque el área en que va a cortar para impedir la entrada de personas ajenas al trabajo y evitar el riesgo de que sufran daños y que le estorben en el trabajo.
- Asegúrese de que ni el disco ni el protector estén dañados o agrietados. Sustituya el disco o el protector si han sufrido golpes o están agrietados.
- Compruebe que la cadena, la espada de la cadena y las protecciones de la cadena no estén dañadas o agrietadas. Sustitúyalas si están expuestas a golpes o presentan fisuras.
- Compruebe que todos los cables y el suministro de agua están correctamente conectados a la máquina antes de arrancarla.

## Arranque

Siga las instrucciones de arranque proporcionadas en el manual que acompaña la unidad eléctrica.

**¡NOTA!** Asegúrese de que esté seleccionado el modo de transmisión correcto de la unidad WSC40 en el control remoto. De lo contrario, se producirá un desgaste excesivo de la cadena y de la espada de la cadena.

**¡IMPORTANTE!** Asegúrese de que cuenta con la versión de software más reciente instalado en la unidad de alimentación y el control remoto. El centro de servicio de Husqvarna puede proporcionarle el software más reciente.

Seleccione el engranaje mecánico 2 si se va a utilizar un cortamuro WS 482.

## Seleccione el modo de funcionamiento.

Los modos de transmisión se cambian en el control remoto que se suministra con el equipo cortamuro. Puede cambiar las herramientas entre la hoja y el anclaje de la cadena del cortamuro pulsando los botones de flecha arriba y abajo.

La unidad de alimentación puede mostrar más opciones. Asegúrese de haber elegido el modo adecuado para la herramienta que se dispone a usar.

Si se escoge un modo de transmisión incorrecto, las herramientas podrían sufrir un desgaste excesivo.

## Calibración

Si el anclaje de la cadena del cortamuro no corta en línea recta la pared, es posible que tenga que volver a calibrar los sensores de posición.

- 1 Utilice la rotación del brazo para mover la sierra hasta la posición externa. Las dos asas deben estar completamente paralelas.
- 2 Pulse el menú, seleccione la opción de calibrar la posición del brazo y acepte. La posición ya está calibrada.

Para más información, consulte el manual de usuario de la unidad de alimentación de Husqvarna.

## Parada

- Cuando haya terminado de cortar, retire la espada de la unidad WSC 40 de la pared, desconecte la rotación de la hoja y el flujo de agua.
- Apague la unidad eléctrica.

## Desmontaje de la sierra

- 1 Espere a que el motor se pare totalmente.
- 2 Desconecte la unidad de la alimentación.
- 3 Apague y desconecte la entrada de agua de la unidad eléctrica.
- 4 Desconecte el cable de alimentación y la manguera de agua de la unidad de serrado.
- 5 Las demás medidas se hacen en orden inverso al montaje.

## Limpieza

Después de cortar hay que limpiar la sierra. Es importante limpiar todo el equipo.

**¡IMPORTANTE!** No utilice un equipo de limpieza a alta presión para limpiar la sierra.

## Transporte y almacenamiento

Desconecte siempre la unidad eléctrica y el cable eléctrico antes de mover el equipo.

Desmonte las protecciones antisalpicaduras antes de transportar y almacenar la unidad.

Guarde el equipo en un lugar seguro fuera del alcance de los niños y las personas no autorizadas.

Si existe riesgo de congelación, drene el agua restante de la máquina.

Utilice las cajas suministradas para guardar el equipo.

# MANTENIMIENTO

## Generalidades



**¡ATENCIÓN!** El usuario sólo puede efectuar los trabajos de mantenimiento y servicio descritos en este manual. Los trabajos de mayor envergadura debe efectuarlos un taller de servicio oficial.

Las tareas de inspección y mantenimiento deben realizarse con el motor apagado y el conector de alimentación desenchufado.

Utilice el equipo de protección personal. Vea las instrucciones bajo el título "Equipo de protección personal".

La vida útil de la máquina puede acortarse y el riesgo de accidentes puede aumentar si el mantenimiento de la máquina no se hace de forma adecuada y si los trabajos de servicio y/o reparación no se efectúan de forma profesional. Para más información, consulte con el taller de servicio oficial más cercano.

Diríjase a su distribuidor de Husqvarna para que revise la máquina regularmente y para que realice ajustes y reparaciones básicas.

Siempre realice las tareas de mantenimiento y reparación en un lugar ordenado donde no haya residuos en el suelo.

## Programa de mantenimiento

En el programa de mantenimiento podrá ver qué piezas de la máquina requieren mantenimiento y cada cuánto tiempo deberá realizarse. Los intervalos se calculan en función del uso diario de la máquina y pueden depender de la velocidad de uso.

	Mantenimiento diario	Por cada metro cuadrado de corte
<b>Limpieza</b>	Limpieza externa	
<b>Engrasado</b>	Pulverizar aceite sobre la cadena y la espada guía.	Engrasar la espada guía con 2 o 3 pasadas en el punto de lubricación
	Engrasar la espada guía. Aplicar en el punto de lubricación hasta que la espada de la cadena se llene de grasa.	
<b>Inspección funcional</b>	Inspección general	
	Sistema de agua	
	Cubierta y protecciones antisalpicaduras	
	Espada guía, cadena de diamante y piñón de arrastre	

## Limpieza

### Limpieza externa

El anclaje de la cadena del cortamuro se debe limpiar una vez se haya terminado el corte. Utilice el cepillo de limpieza que se entrega con el cortamuro y conéctelo a la manguera de agua. Limpie todos los equipos del sistema.



**¡ATENCIÓN!** No utilice limpiadores de alta presión para limpiar la máquina.

# MANTENIMIENTO

## Inspección funcional

### Inspección general



**¡ATENCIÓN! No usar nunca cables dañados, puesto que pueden causar daños personales graves e incluso mortales.**

- Compruebe que los tornillos y las tuercas estén apretados.
- Compruebe que todas las superficies estén limpias.
- Compruebe la cubierta y las protecciones antisalpicaduras para detectar posibles desperfectos o signos de desgaste.
- Compruebe el desgaste de la rueda motriz.
- Compruebe la cadena y la espada de la cadena para detectar posibles desperfectos y signos de desgaste.
- Controle el tensado de la cadena.
- Compruebe la función de tensión de la cadena.
- Compruebe regularmente el nivel de desgaste del piñón de arrastre de la cadena y cámbielo si presenta un desgaste anormal.

### Desmontaje antes de revisar

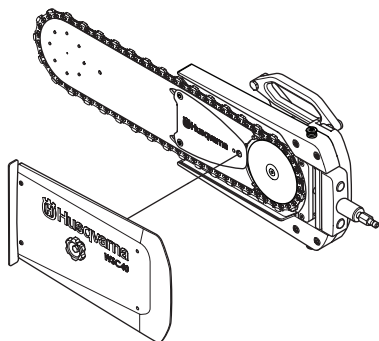


**¡ATENCIÓN! Desconecte siempre el cable de alimentación que se encuentra enchufado a la unidad de corte antes de realizar cualquier trabajo de instalación, desmontaje, limpieza y mantenimiento.**

- 1 Desconecte las mangueras de agua de la unidad de corte y cuélguelas en el lugar previsto del carro de transporte.

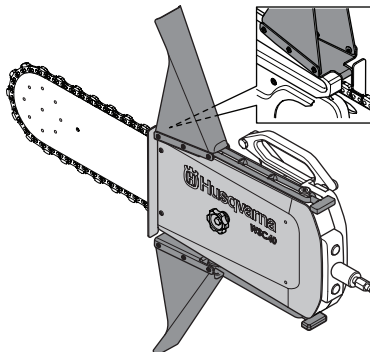
Desconecte las mangueras de agua de la unidad de corte y cuélguelas en el lugar previsto del carro de transporte o la caja.

- 2 Retire las protecciones antisalpicaduras.
- 3 Desenrosque el perno del asa y retire la cubierta.



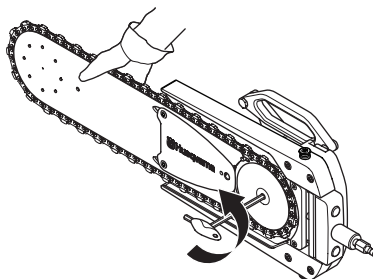
## Cubierta y protecciones antisalpicaduras

Compruebe la cubierta y la protección antisalpicaduras. Asegúrese de que no hay grietas o agujeros provocados por el impacto de objetos en la tapa de la transmisión y la protección antisalpicaduras. Sustituya la cubierta o protección dañada.

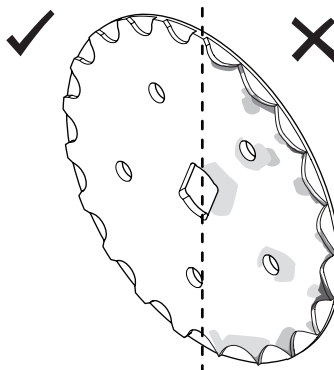


## Piñón de arrastre de la cadena

- 1 Sujete la cadena con una sola mano y desenrosque el tornillo con la llave Allen que se proporciona. Retire la arandela de sujeción.

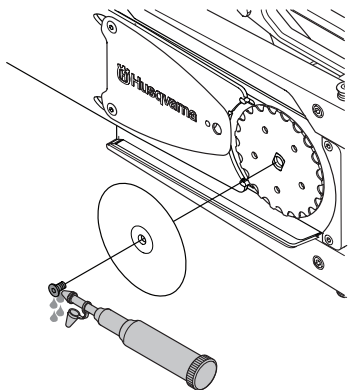


- 2 Compruebe regularmente el nivel de desgaste del piñón de arrastre de la cadena y cámbielo si presenta un desgaste anormal.

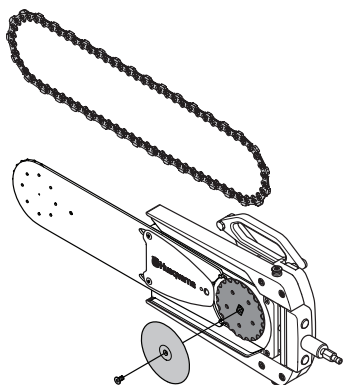


# MANTENIMIENTO

- 3 Cuando se haya aflojado el piñón de arrastre, el tornillo, las roscas y la cabeza del tornillo deben engrasarse. Si el tornillo no está correctamente engrasado, se aflojará.

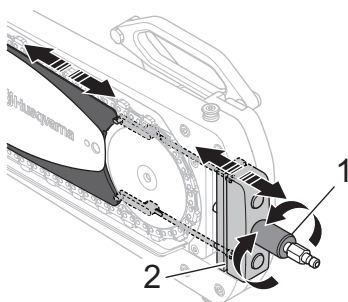


- 4 Apriete siempre el tornillo a un par de 20 Nm (15 lb-ft).



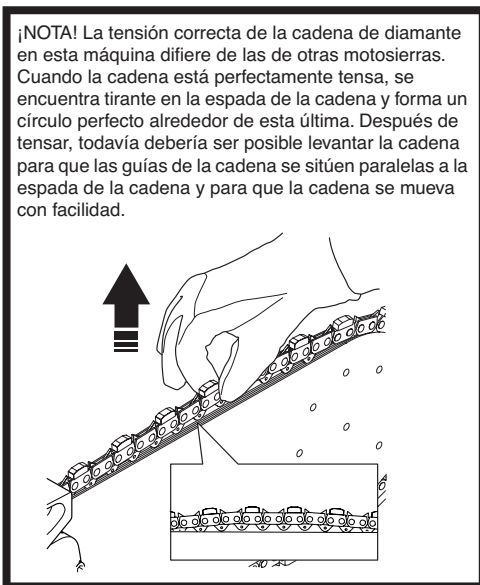
## Cadena

- 1 Desatornille el asa (1) por completo para aflojar la tensión de la cadena.



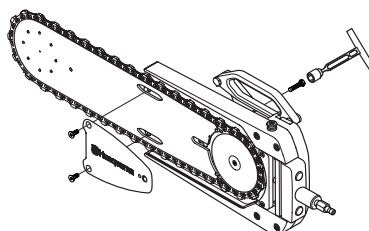
- 2 Tire de la cadena para liberar el mecanismo de tensión (2) y quite la cadena.

- 3 Inspeccione la cadena para detectar posibles defectos o signos de desgaste. Si es necesario, monte una cadena nueva en la espada de la cadena.
- 4 La tensión de la cadena se ajusta con la palanca (1).

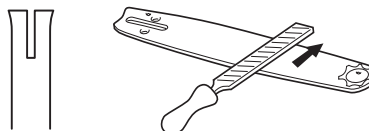


## Espada

- 1 Utilice la llave T de 13 mm para retirar el tornillo que sujeta la espada guía.



- 2 Utilice la llave Allen que se proporciona para quitar los 2 tornillos avellanados. Conserve los tornillos. Si es necesario sustituir estos tornillos, utilice solamente los tornillos del listado de piezas ilustrado (IPL).
- 3 Retire la espada guía y compruebe si hay desgaste.
- 4 Compruebe si hay rebabas en los bordes de la espada. Si es necesario, quítelas con una lima.

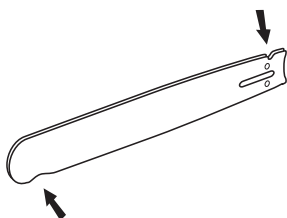


# MANTENIMIENTO

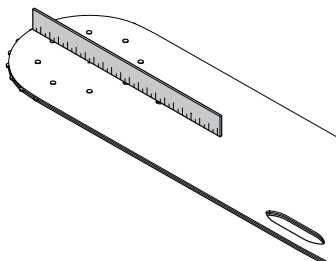
- 5 Compruebe si la ranura de la espada está excesivamente desgastada. Sustituya la espada si es necesario.



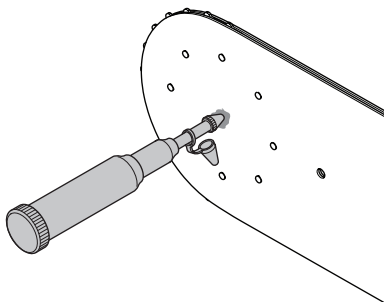
- 6 Compruebe si la puntera de la espada presenta un perfil irregular o si está muy desgastada. Si se ha formado una cavidad en la parte inferior de la puntera, se debe a que la máquina se ha utilizado con una cadena floja. Para prolongar la vida útil de la espada, cambie el sentido de rotación de la cadena en los ajustes del control remoto. Para obtener información, consulte el manual de usuario de la unidad de alimentación de Husqvarna.



- 7 Utilice una regla para comprobar que la espada no se encuentre doblada. Coloque la regla apoyada sobre la parte delantera de la espada. La regla se debe alinear con la espada.

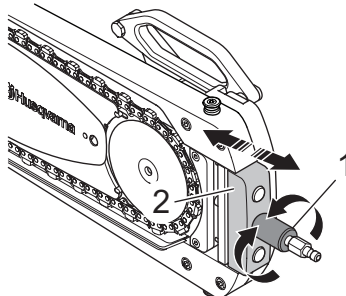


- 8 Engrase la espada guía y la cadena de diamante todos los días.

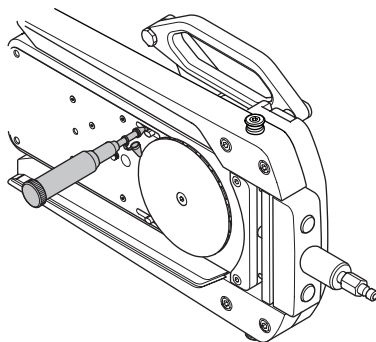


## Función de tensión de la cadena

- 1 Tire del bloque de color gris para comprobar la elasticidad.

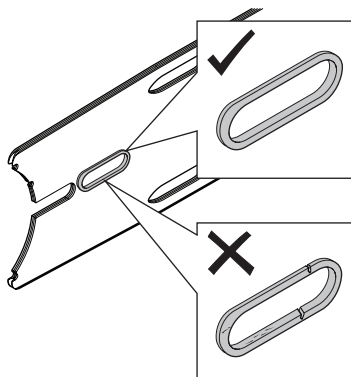


- 2 Limpie las ranuras y engráselas.



## Aro de sellado

- 1 Compruebe si el sellado presenta desgaste. Sustitúyalo si es necesario.

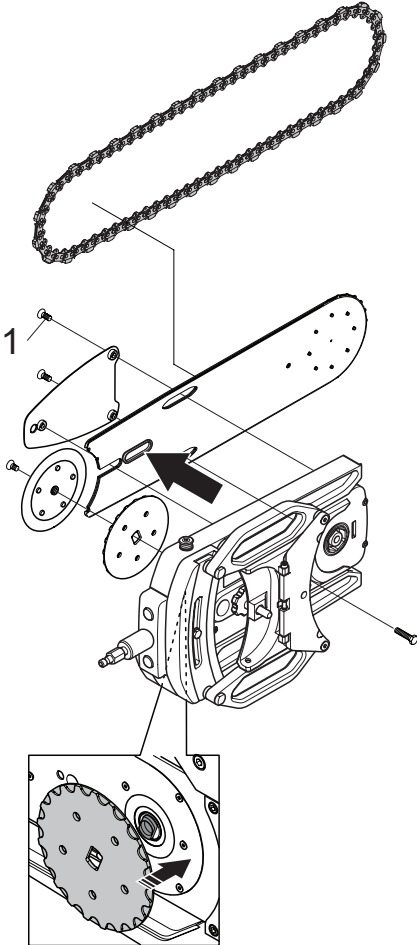


- 2 Limpie todas las superficies.

# MANTENIMIENTO

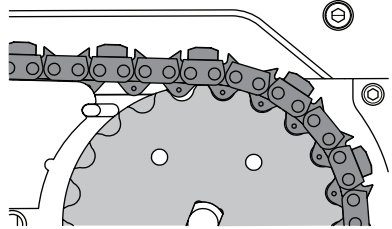
## Montaje después de mantenimiento

- 1 Coloque el piñón de arrastre en el eje de salida.
- 2 Realice el montaje según se indica en la ilustración.

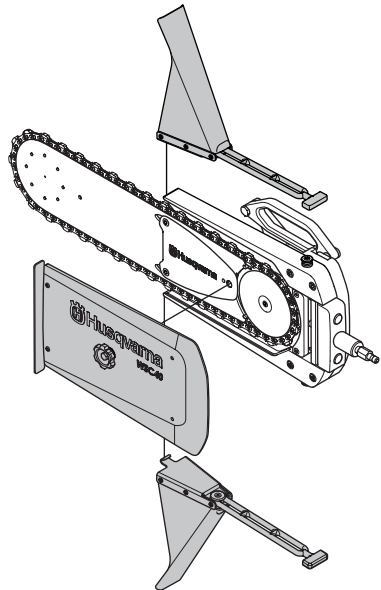


- 3 Apriete los 2 tornillos avellanados (1) a un par de apriete de 20 Nm.

- 4 Coloque la cadena en la espada de la cadena y asegúrese de que la cadena acompañe a los piñones delanteros y los piñones de arrastre con cuidado.



- 5 Cuando se haya aflojado el piñón de arrastre, el tornillo, las roscas y la cabeza del tornillo deben engrasarse. Si el tornillo no está correctamente engrasado, se aflojará. Apriete siempre el tornillo a un par de 20 Nm (15 lb-ft).
- 6 Utilice la manija de giro para ajustar la tensión de la cadena. Compruebe la tensión de la cadena. Apriete la arandela de sujeción con el perno. Utilice un par de apriete de 20 Nm (15 lb-ft).
- 7 Vuelva a colocar la cubierta. Apriete la manija con cuidado a mano.



# LOCALIZACIÓN Y CORRECCIÓN DE AVERÍAS

## Tabla de localización de fallos



**¡ATENCIÓN!** Si los servicios o la localización de fallos no necesitan que la máquina esté encendida, debe apagar el motor y colocar el botón de parada en la posición STOP.

Problema	Causa probable	Posible solución
A la máquina le cuesta funcionar o no penetra en el material.	Desgaste de la cadena o de la espada.	Inspecciónela y cámbiela si es necesario.
	Se deben poner a trabajar diamantes nuevos en la cadena.	Cambie el sentido de rotación de la cadena.
La sierra funciona torcida.	Desgaste de la cadena o de la espada.	Inspecciónela y cámbiela si es necesario.
	El manillar de la unidad de corte está doblada.	Ajuste o sustituya el manillar.
Al equipo de corte le cuesta funcionar, también fuera del material.	Exceso de grasa durante la lubricación.	Deje que la sierra gire fuera del material durante un minuto.
	Montaje incorrecto.	Compruebe si los siguientes elementos se han montado de forma incorrecta: arandela de sujeción, piñón de arrastre, cadena, espada, eje.
	Óxido o corrosión.	Utilice grasa para lubricar. Cambie las piezas que presenten una corrosión avanzada.
La espada vibra a ciertos regímenes de revoluciones.	La rueda motriz está gastada.	Inspecciónela y cámbiela si es necesario.
El nivel de vibraciones es demasiado alto	Cadena de diamante montada incorrectamente	Compruebe que la espada y la cadena de diamante están bien colocadas y que no están dañadas. Consulte las instrucciones de los apartados 'Cadenas de diamante' y 'Mantenimiento'.
Desgaste anómalo de la cadena o de la espada.	Se usa poca agua para cortar.	Cambie la cadena de diamante y asegúrese de que está intacta.
	Salida de potencia excesiva en PP 480 o PP 490.	Asegúrese de haber seleccionado el modo de corte en 'cadena' en el control remoto. Si este modo falta, póngase en contacto con un taller de servicio de Husqvarna para realizar una actualización de software.
	Tensión de la cadena incorrecta	Ajuste la tensión de la cadena.
	Holgura en el montaje/montaje incorrecto.	Mueva la máquina adelante y atrás para comprobar que todas las piezas estén montadas correctamente y que el soporte de pared sea correcto.
En cortes profundos, la máquina se arquea.	La espada está dañada.	Daño permanente. Cambie la espada.
	El corte se ha realizado sin efectuar un corte preciso con la hoja.	Daño permanente. Cambie la espada.
	Ha golpeado un trozo de hierro dispuesto en sentido longitudinal.	Mueva la sierra de lado a lado y haga un corte nuevo.

## DATOS TECNICOS

### WSC 40

Potencia máxima de entrada (kW)	9,2
Entrada, máx. (r/min)	1200
Mecanismo de transmisión	Transmisión por engranajes
Entrada de torsión de la transmisión, máx. (Nm)	230
Volumen de aceite de la caja de cambios (dl/fl oz)	1,5/5
Presión del agua de refrigeración, máx. (bar/PSI)	10/145
Caudal de agua mínimo recomendado (l/min / gal/min)	3,5/1
Temperatura máxima del agua de refrigeración a 3,5 l/min / 1 gal/min (C/F)	60/140

#### Peso

WSC 40 con dos protectores (kg/lb)	19/42
Peso total con caja de transporte (kg/lb)	27/60

#### Emisiones de ruido (vea la nota 1)

Nivel de potencia acústica, $L_w$ dB(A) medida	105
--	-----

#### Niveles acústicos (vea la nota 2)

Nivel de presión acústica en el oído del usuario, dB(A)	83
---	----

Nota 1: Emisiones sonoras en el entorno medidas como potencia sonora ( $L_w$ ), medida según la norma EN 15027/A1. Incertidumbre de medición general 2,5 dB(A).

Nota 2: Nivel de presión sonora conforme a EN 15027/A1.

Incertidumbre de medición general 4 dB(A).

### Especificación del equipo de corte recomendado, cadena

Espada y cadena de diamante	Número de segmentos de la cadena de diamante:	Paso de cadena de diamante, (mm/pulg.)	Anchura del segmento de la cadena de diamante (mm/pulg.)	Velocidad máxima de la cadena (m/s / ft/s)
24" (0,444")	37	11,582/0,444	5,7/0,22	28/92

### Especificación del equipo de corte recomendado, espada guía

Longitud de la espada guía (mm/pulg.)	Profundidad máxima de corte recto (mm/pulg.)	Profundidad máxima de corte (mm/pulg.)	Anchura mínima de corte (mm/pulg.)	Anchura de la espada guía con cadena (mm/pulg.)	Anchura de la espada guía (mm/pulg.)
614/24	300/12	400/15,7	200/8	192/8	154/6



---

## DATOS TECNICOS

---

### Declaración CE de conformidad

(Rige sólo para Europa)

**Husqvarna AB**, SE-561 82 Huskvarna, Suecia, tel.: +46-36-146500, declara bajo su única responsabilidad que el anclaje de cadena de cortamuro, **Husqvarna WSC 40** (solo en combinación con **la unidad de alimentación de alta frecuencia Husqvarna y Husqvarna WS 440/WS 482**), a partir de los números de serie del año 2016 en adelante (el año se indica claramente en la placa de características, seguido del número de serie) cumplen los requisitos de las DIRECTIVAS DEL CONSEJO:

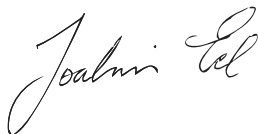
- **2006/42/CE** «relativa a máquinas» del 17 de mayo de 2006.

Se han aplicado las siguientes normas:

EN ISO 12100:2010, EN 15027+A1:2009

Göteborg, 23 de mayo de 2016

Joakim Ed



Director mundial de I+D

Construction Equipment Husqvarna AB

(Presentante autorizado de Husqvarna AB y responsable de la documentación técnica.)

# EXPLICAÇÃO DOS SÍMBOLOS

## Símbolos na máquina:

**ATENÇÃO!** A máquina, se for usada de forma indevida ou incorrecta, pode ser perigosa, causando sérios ferimentos ou mesmo a morte do utente ou outras pessoas.



Leia as instruções para o uso com toda a atenção e compreenda o seu conteúdo antes de fazer uso da máquina.



Use sempre:

- Capacete protector aprovado
- Protectores acústicos aprovados
- Óculos ou viseira de protecção
- Máscara respiratória



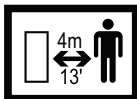
Risco de corte. Mantenha todas as partes do corpo afastadas do equipamento de corte.



Perigo de objetos projetados. O operador deve sempre permanecer a um ângulo na diagonal por trás da serra em funcionamento, para evitar ao risco de ser atingido por objetos do material.



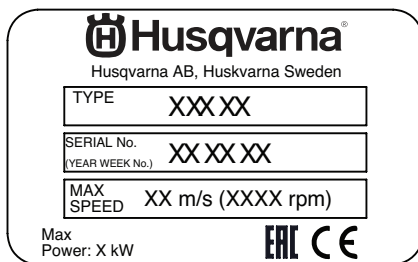
Mantenha uma distância segura da máquina. Para o operador, a margem de segurança mínima para peças em movimento durante o funcionamento é de 4 metros (13 pés).



Este produto está conforme as directivas em validade da CE.



## Placa de marcação da máquina



Fila 1: Marca

Fila 2: Endereço do fabricante

Fila 3: Tipo

Fila 4: Número de série (ano, semana, número)

Fila 5: Velocidade máxima

Fila 6: Potência máxima, símbolos de certificação aplicáveis a certos mercados.

## Explicação dos níveis de advertência

As advertências são classificadas em três níveis.

### ATENÇÃO!



**ATENÇÃO!** Utilizado no caso de existir risco de ferimento grave ou morte para o operador ou de danos nas zonas envolventes, se não forem seguidas as instruções do manual.

### IMPORTANTE!



**IMPORTANTE!** Utilizado no caso de existir risco de ferimento para o operador ou de danos nas proximidades, se não forem seguidas as instruções do manual.

### NOTA!

**NOTA!** Utilizado se existir risco de danos para os materiais ou para a máquina, se não forem seguidas as instruções do manual.

Os restantes símbolos e autocolantes existentes na máquina dizem respeito a exigências específicas para homologação em alguns países.

# ÍNDICE

## Índice

### EXPLICAÇÃO DOS SÍMBOLOS

Símbolos na máquina: .....	50
Placa de marcação da máquina .....	50
Explicação dos níveis de advertência .....	50

### ÍNDICE

Índice .....	51
--------------	----

### APRESENTAÇÃO

Prezado cliente! .....	52
Design e características .....	52
WSC 40 .....	52

### COMO SE CHAMA?

Descrição das peças da WSC 40 .....	53
-------------------------------------	----

### EQUIPAMENTO DE SEGURANÇA DA MÁQUINA

Noções gerais .....	54
---------------------	----

### CORRENTES DIAMANTADAS

Noções gerais .....	55
Verificação da corrente .....	55
Verificação da serra .....	55
Material .....	55
Vidrado .....	55
Transporte e armazenagem .....	55

### MONTAGEM E AJUSTAMENTOS

Noções gerais .....	56
Monte os suportes de fixação à parede e carril ...	56
Monte o carro da serra e a serra .....	56
Verificação do alinhamento paralelo da guia da protecção da lâmina com a lâmina .....	56
Monte o acessório de corrente para serra de corte em parede .....	56
Montagem da corrente de diamante .....	58
Como esticar a corrente de diamante .....	58
Montagem das protecções de spray .....	58
Ligue a unidade de alimentação .....	59
Desmontagem do acessório .....	59

### OPERAÇÃO

Equipamento de protecção .....	60
Técnicas básicas de trabalho .....	62
Velocidade da corrente recomendada .....	64

### ARRANQUE E PARAGEM

Antes de ligar .....	65
Arranque .....	65
Selecionar o modo de condução. ....	65
Calibração .....	65
Paragem .....	65
Desmontagem da serra .....	65

Limpeza .....	65
---------------	----

### MANUTENÇÃO

Noções gerais .....	66
Esquema de manutenção .....	66
Limpeza .....	66
Inspeção funcional .....	67

### LOCALIZAÇÃO DE AVARIAS

Esquema de detecção de avarias .....	71
--------------------------------------	----

### ESPECIFICAÇÕES TÉCNICAS

WSC 40 .....	72
Especificação do equipamento de corte recomendado, corrente .....	72
Especificação do equipamento de corte recomendado, lâmina guia .....	72
Certificado CE de conformidade .....	73

# APRESENTAÇÃO

## Prezado cliente!

Muito obrigado por escolher um produto Husqvarna! Esperamos que ficará satisfeito com a sua nova máquina e que ela o acompanhará durante muito tempo. A compra de qualquer dos nossos produtos dá-lhe acesso a ajuda profissional, incluindo reparações e assistência técnica. Se não tiver adquirido a sua máquina num dos nossos revendedores autorizados, pergunte onde fica a oficina especializada mais próxima.

Este manual tem um grande valor. Certifique-se de que este manual se encontra sempre à mão no local de trabalho. Seguindo o seu conteúdo (utilização, assistência técnica, manutenção, etc) aumentará consideravelmente a vida útil da máquina bem como o preço de venda em segunda mão da mesma. Se vender a sua máquina, entregue as instruções de utilização ao novo proprietário.

## Mais de 300 anos de inovação

A Husqvarna, empresa baseada na Suécia, tem como base uma tradição que remonta a 1689, quando o rei sueco Karl XI mandou construir uma fábrica para fabricar mosquetes. Na época, estabeleceram-se as fundações para o desenvolvimento de capacidades relacionadas com a engenharia que se encontra por detrás de alguns dos produtos mais conhecidos do mundo, tais como armas de caça, bicicletas, motociclos, aparelhos domésticos, máquinas de costura e ferramentas para uso em exteriores.

A Husqvarna é a líder global em ferramentas motorizadas para uso em exteriores, tais como em silvicultura, manutenção de jardins e parques, cuidados da relva, bem como na área do equipamento de corte e ferramentas de diamante para a construção e a indústria de extração e transformação de pedra.

## Responsabilidade do proprietário

É da responsabilidade do proprietário/entidade empregadora que o operador tenha conhecimento suficiente sobre como utilizar a máquina em segurança. Os supervisores e os operadores devem ter lido e compreendido o Manual do Operador. Devem conhecer:

- As instruções de segurança da máquina.
- As diversas aplicações da máquina e as suas limitações.
- O modo como a máquina deve ser utilizada e mantida.

A legislação nacional poderá regular a utilização desta máquina. Informe-se da legislação aplicável no seu local de trabalho antes de utilizar esta máquina.

## Ressalvas do fabricante

No seguimento da publicação deste manual, a Husqvarna poderá emitir informações adicionais para garantir uma operação segura deste produto. O proprietário tem o dever de se manter actualizado quanto aos métodos de operação mais seguros.

Husqvarna AB efectua o desenvolvimento contínuo dos seus produtos, reservando-se o direito de introduzir

modificações referentes, entre outros, ao aspecto e forma dos mesmos sem aviso prévio.

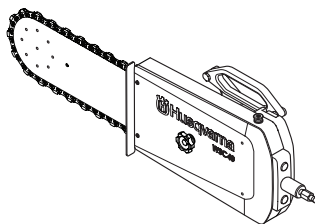
Para obter informação e assistência, contacte-nos através do nosso website: [www.usa.husqvarna.com](http://www.usa.husqvarna.com)

## Design e características

Os nossos valores, tais como a elevada performance, fiabilidade, tecnologia inovadora, soluções técnicas avançadas e o cuidado do ambiente, distinguem os produtos Husqvarna. Para garantir uma operação segura deste produto, o operador deverá ler atentamente este manual. Consulte o seu concessionário ou contacte a Husqvarna, caso necessite de informações adicionais.

Algumas das características únicas dos nossos produtos encontram-se descritas em baixo.

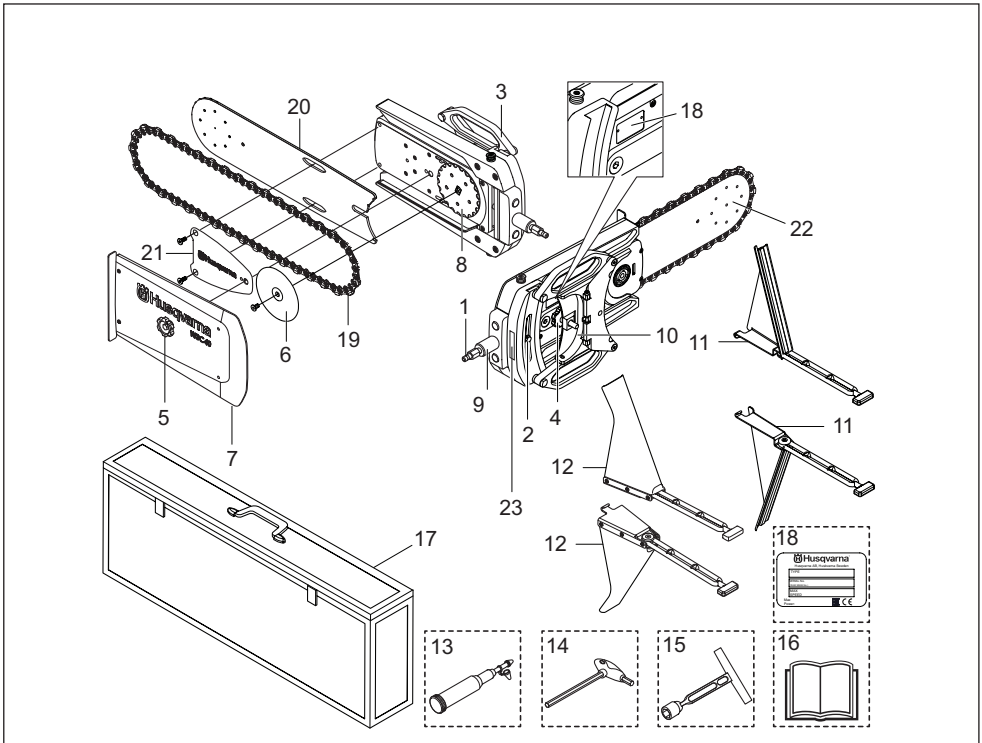
## WSC 40



Este acessório de corrente para máquinas de corte em parede é parte integrante de um sistema de serra de corte em parede e funciona com as serras de corte em parede WS 440 e WS 482. Este acessório de corrente para máquinas de corte em parede foi concebido para cortar materiais rígidos, como betão armado, alvenaria e pedra, não devendo ser utilizado para fins não identificados neste manual. Para operar esta máquina é necessário uma Husqvarna WS 440/WS 482 e uma unidade de alimentação de alta frequência da Husqvarna.

- Este acessório de corrente para máquinas de corte em parede é utilizado para evitar cortes excessivos ao cortar aberturas.
- A máquina permite o corte de aberturas mais pequenas para ventilação, tubos, etc.
- A velocidade da corrente é controlada e eletronicamente e ajustada através do controlo remoto da unidade de alimentação.
- O mesmo alinhamento entre a corrente e o trilho, como nas WS 440 e WS 482 com lâmina.
- O sentido de rotação da corrente pode ser controlado com o controlo remoto que permite escolher a direção da água pulverizada.
- Esta máquina é fácil de transportar, graças ao seu design leve, compacto e ergonómico.
- O software específico da WSC 40 está instalado na unidade de alimentação e ajusta automaticamente os movimentos do motor de alimentação para criar cortes de perfuração retos. Certifique-se de que tem a versão de software mais recente instalada na sua unidade de alimentação.

## COMO SE CHAMA?



### Descrição das peças da WSC 40

- |    |   |    |                              |
|----|---|----|------------------------------|
| 1  | Ligação da mangueira, entrada de água         | 13 | Bomba de massa lubrificante  |
| 2  | Parafuso de ajuste do ângulo                  | 14 | Chave sextavada (5 mm)       |
| 3  | Punho paralelo                                | 15 | Chave em T (13 mm)           |
| 4  | Manípulo de fixação para grampo               | 16 | Instruções para o uso        |
| 5  | Manípulo de fixação                           | 17 | Caixa de arrumação           |
| 6  | Arruela de fixação                            | 18 | Placa de marcação da máquina |
| 7  | Cobertura da transmissão                      | 19 | Corrente de diamante         |
| 8  | Pinhão da corrente                            | 20 | Lâmina                       |
| 9  | Manípulo de regulação da tensão da corrente   | 21 | Placa de fixação             |
| 10 | Grampo para punho de serra de corte em parede | 22 | Roda dianteira               |
| 11 | Proteção para cortes nivelados                | 23 | Autocolante de aviso         |
| 12 | Protecção contra salpicos                     |    |                              |

# EQUIPAMENTO DE SEGURANÇA DA MÁQUINA

## Noções gerais

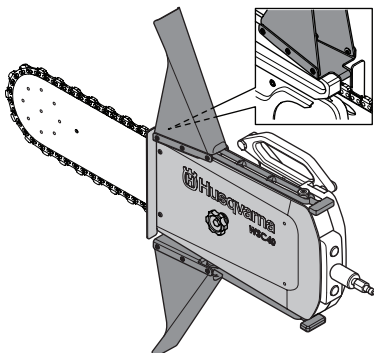
Nesta secção esclarecem-se quais são as peças de segurança da máquina, que função desempenham e ainda como efectuar o controlo e a manutenção para se certificar da sua operacionalidade. Ver capítulo Como se chama?, para localizar onde estas peças se encontram na sua máquina.



**ATENÇÃO!** Nunca use uma máquina com equipamento de segurança defeituoso! O equipamento de segurança tem de ser objeto de inspeções e manutenção. Se o equipamento de segurança ou quaisquer peças da máquina apresentarem danos de qualquer espécie, têm de ser levados a uma oficina de assistência para reparação.

## Cobertura e proteções de spray

A cobertura e a proteção de spray têm sempre de ser utilizadas durante o corte.



A cobertura e a proteção contra salpicos impedem o contacto com peças em movimento e projeções de detritos, águas e lamas de betão. As proteções de spray também foram concebidas para prender a corrente de diamante caso esta quebre ou se solte.

Recomendamos que ambas as proteções de spray estejam montadas, mas em algumas aplicações (cortar alinhado ao chão ou ao teto) pode remover-se temporariamente uma das proteções de spray. Deve montar-se pelo menos a proteção de spray que fica na direção dos salpicos. Volte a colocar a proteção de spray removida após o corte.

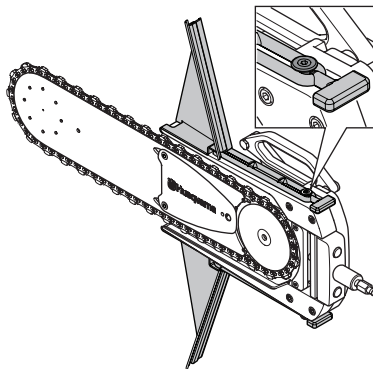
Verifique a cobertura e a proteção de spray.

Certifique-se de que não existem fissuras nem orifícios causados pelas lamas projetadas contra a cobertura e proteções.

Se estiverem danificadas, substitua-as.

## Proteções para cortes nivelados

Esta máquina pode ser utilizada para cortes nivelados. Em cortes nivelados, são utilizadas proteções de spray especialmente concebidas para o efeito. Estas proteções apenas são permitidas para cortes nivelados.



Verifique se as proteções apresentam sinais de danos ou desgaste. Certifique-se de que as proteções não apresentam danos. Se as proteções apresentarem danos, substitua-as.

## Unidade de alimentação

Certifique-se de que verifica o equipamento de segurança na unidade de alimentação fornecida. Consulte o manual do operador da unidade de alimentação.

Verifique também as instruções de segurança e as instruções para o operador nos manuais do operador referentes à serra de corte em parede e à unidade de alimentação específicas que serão utilizadas.

# CORRENTES DIAMANTADAS

## Noções gerais



**ATENÇÃO!** A ruptura da corrente pode provocar lesões graves se a corrente for arremessada contra o operador. Um equipamento de corte incorrecto ou uma combinação incorrecta lâmina/corrente aumenta o risco de retrocesso! Use somente as combinações lâmina/corrente por nós recomendadas.

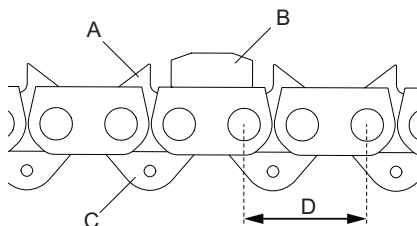


**ATENÇÃO!** Desligue sempre o cabo de alimentação da unidade de corte antes da instalação, limpeza e manutenção. Qualquer descuido pode provocar lesões pessoais graves ou até mesmo a morte.



**ATENÇÃO!** Qualquer manuseio da corrente requer o uso de luvas.

- A) Elo de acionamento com protecção
- B) Elemento de corte com segmento de diamante
- C) Guia de corrente



Passo da corrente de diamante:  $\text{Passo} = D/2$

Esta unidade apenas deve ser usada com uma corrente com duas protecções, dado que a máquina pode ser operada com sentido de rotação duplo.

Quando se utiliza uma corrente com duas protecções, é possível instalar a corrente nos dois sentidos.

## Verificação da corrente

- Verifique se a corrente não mostra sintomas de danos, tais como folga nas uniões entre elementos, cavaleiros, elementos de accionamento ou segmentos quebrados. Se a corrente de diamante estiver danificada, substitua-a.
- Se a corrente tiver sido exposta a entalamento violento ou outra sobrecarga anormal, a corrente deve ser desmontada da lâmina e cuidadosamente inspeccionada.

## Verificação da serra

A serra está equipada com componentes de segurança, que protegem o operador em caso de ruptura da corrente. Estes componentes de segurança devem ser controlados antes de começar com o trabalho. Nunca use

a serra se os componentes seguintes estiverem danificados ou em falta:

- Cobertura da transmissão
- Corrente danificada
- Protecção contra salpicos danificada ou em falta.

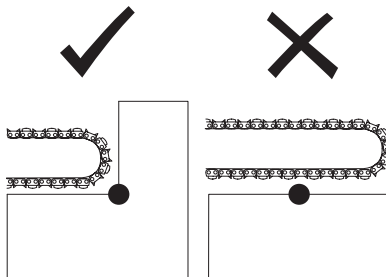
## Material



**ATENÇÃO!** A corrente de diamante não deve, em circunstância alguma, ser transformada para cortar outros materiais além daqueles a que se destina. Nunca a utilize numa motosserra para cortar madeira/lenha.

Esta máquina foi concebida e destinada para serrar cimento, tijolo e diferentes materiais de pedra. Todas as outras utilizações são inadequadas.

A serra nunca deve ser usada para cortar objectos metálicos – sob risco de quebra de segmentos ou ruptura da corrente. Os segmentos de diamante aguentam o corte de betão armado. Tente sempre cortar a armação embebida em tanto betão quanto possível, para poupar a corrente.



## Vidrado

Após o corte de pedras ou betão extremamente duro, o segmento de diamante pode perder parte ou toda a sua capacidade de corte. Isso também pode ocorrer se tiver de cortar com uma baixa pressão parcial (a corrente de diamante entra em contacto com a peça em que está a trabalhar em todo o comprimento da lâmina). A solução para o problema é alterar o sentido de rotação da corrente.

## Transporte e armazenagem

- Depois de ter terminado o trabalho, a moto-serra de diamante deve ser operada com pressão de água durante pelo menos mais 15 segundos, de modo a limpar a lâmina, a corrente e o mecanismo de partículas. Lave a máquina com água. Caso não se preveja uma utilização da máquina para breve, recomendamos que a corrente e a lâmina sejam lubrificadas, para evitar corrosão.
- Examine todo o equipamento de corte relativamente a danos provocados durante o transporte ou armazenamento.

# MONTAGEM E AJUSTAMENTOS

## Noções gerais



**ATENÇÃO!** Desligue sempre o cabo de alimentação da unidade de corte antes da instalação, limpeza e manutenção. A falta de cuidado pode causar ferimentos graves ou mesmo a morte.

## Monte os suportes de fixação à parede e carril

Monte o sistema de acordo com o manual do operador da serra de corte em parede específica.

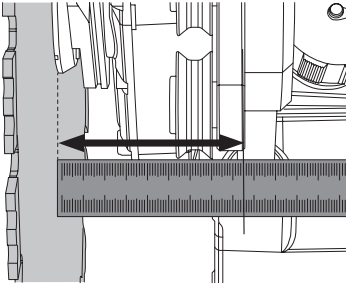
## Monte o carro da serra e a serra

Monte o sistema de acordo com o manual do operador da serra de corte em parede específica.

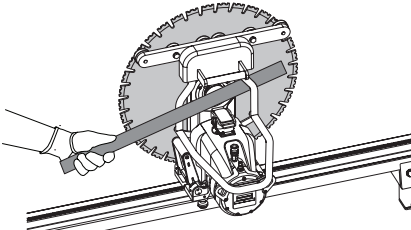
## Verificação do alinhamento paralelo da guia da proteção da lâmina com a lâmina

Para o alinhamento da WSC 40 com o corte, certifique-se de que não ocorreu qualquer deformação na barra de direção da serra de corte em parede.

- 1 Monte a guia da proteção da lâmina sobre a guia e meça a distância entre cada uma das rodas nas extremidades e a lâmina. A medida entre a parte exterior da guia da roda e a lâmina deverá ser de aproximadamente 102 +/- 2 mm.



- 2 Se a diferença for superior a 2 mm, retire a guia e ajuste a estrutura com uma barra de ferro, para que a guia fique paralela à lâmina.



## Monte o acessório de corrente para serra de corte em parede

**IMPORTANTE!** Mantenha sempre a máquina na caixa fornecida quando não estiver a ser utilizada.



**ATENÇÃO!** Proteja as mãos com luvas.



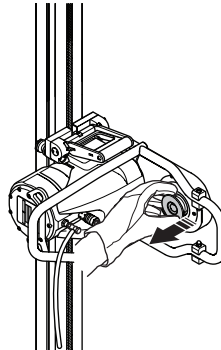
**ATENÇÃO!** O procedimento de montagem da máquina deve ser realizado apenas por uma pessoa para prevenir acontecimentos imprevistos.



**ATENÇÃO!** Risco de lesões por esmagamento! Segure a máquina firmemente.

**IMPORTANTE!** Mantenha o piso limpo durante a montagem. Certifique-se de que não há objetos a obstruir o caminho.

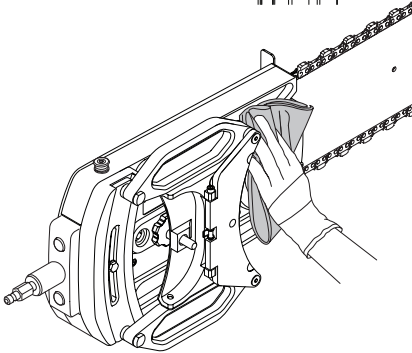
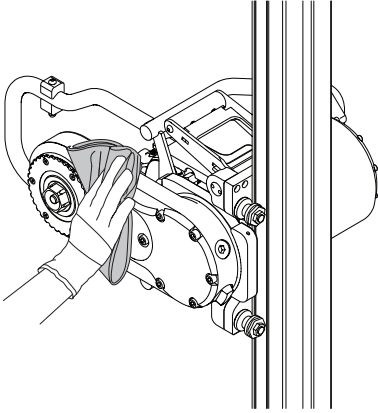
- 1 Remova a lâmina e o flange da lâmina de acordo com o manual do operador da serra de corte em parede específica.
- 2 Certifique-se de que o cubo do fuso está na posição exterior. Não é possível fixar a WSC 40 se o eixo sextavado estiver na posição interior.



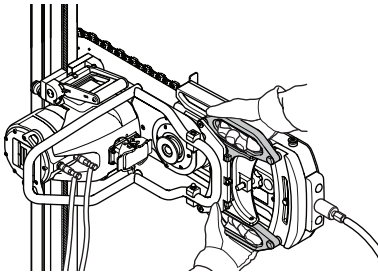


## MONTAGEM E AJUSTAMENTOS

- 3 Certifique-se de que as superfícies da máquina e da cabeça da serra estão limpas.

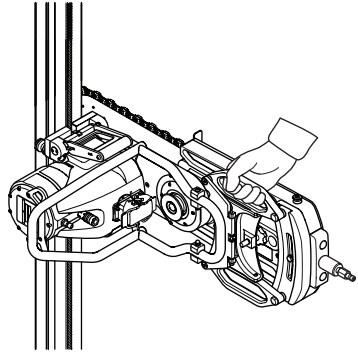


- 4 Com as duas mãos, levante a máquina pelo punho paralelo para a retirar da caixa de arrumação.

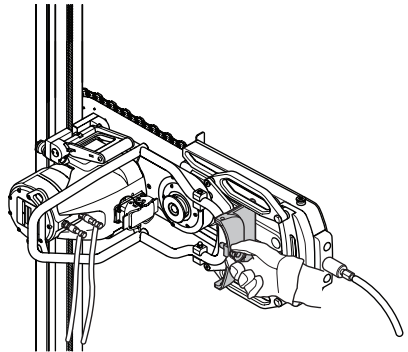


- 5 Deslize a WSC 40 no braço da serra de corte em parede. Empurre o eixo sextavado enquanto move cuidadosamente a unidade à volta do centro para alinhar o eixo. O eixo deverá agora estar na posição bloqueada intermédia; verifique puxando o acessório de corrente para serra de corte em parede.

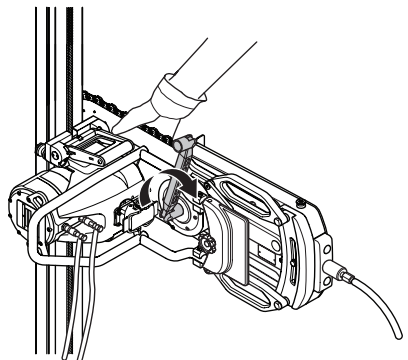
- Certifique-se de que a máquina está bloqueada no braço da máquina.



- 6 Dobre o grampo que prende o acessório à barra de direção. Aperte o manipulô de fixação.

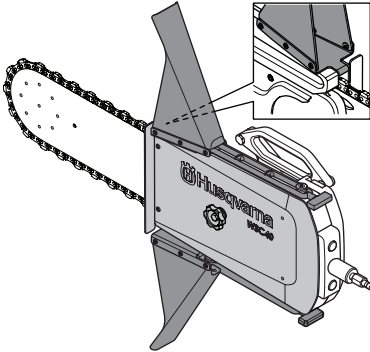


- 7 Aperte a máquina à cabeça da serra com o parafuso no cubo do fuso. Coloque uma mão sobre a corrente para criar resistência. Não se esqueça de usar luvas. Utilize a chave de 18 mm fornecida na caixa de ferramentas. Aplique um binário de aperto de 70-80 Nm (52-59 ft-lbs).

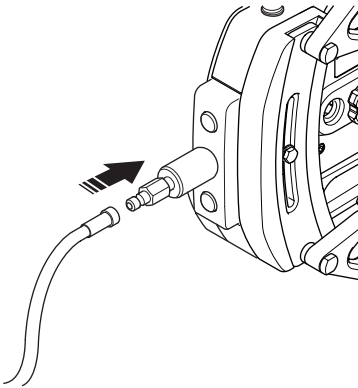


## MONTAGEM E AJUSTAMENTOS

8 Monte as proteções de spray.



9 Ligue a mangueira de água.



**ATENÇÃO!** Verifique se a montagem está correta antes de ligar o cabo de alimentação.

### Montagem da corrente de diamante



**ATENÇÃO!** Nunca monte ou desmonte a ferramenta ou as proteções sem primeiro desligar o cabo de alimentação da unidade de corte. Qualquer descuido pode provocar lesões pessoais graves ou até mesmo a morte.



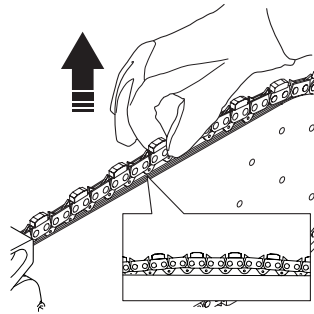
**ATENÇÃO!** Tenha cuidado ao montar o acessório de corrente para serra de corte em parede, para garantir que este não se solta durante o corte. A falta de cuidado pode causar ferimentos graves ou mesmo a morte.

### Como esticar a corrente de diamante

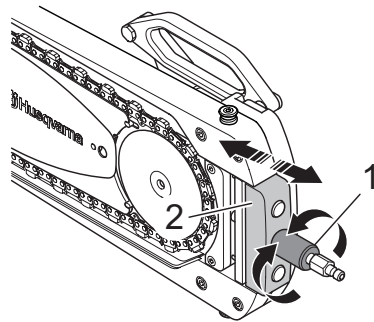


**ATENÇÃO!** Uma corrente de diamante frouxa pode soltar-se e causar ferimentos graves ou até mesmo mortais.

A tensão correta da corrente de diamante desta máquina difere de outras motosserras. Quando a corrente tem a tensão perfeita, fica apertada contra a lâmina da corrente e num círculo perfeito à volta da lâmina da corrente. Após o tensionamento deverá continuar a ser possível levantar a corrente de modo a que as guias da corrente fiquem paralelas à lâmina da corrente e que a corrente se desloque com facilidade.



Solte o parafuso da arruela de fixação a partir da parte de trás com uma chave T de 13 mm. Utilize o manipulador de regulação para colocar a corrente em tensão.



### Montagem das proteções de spray

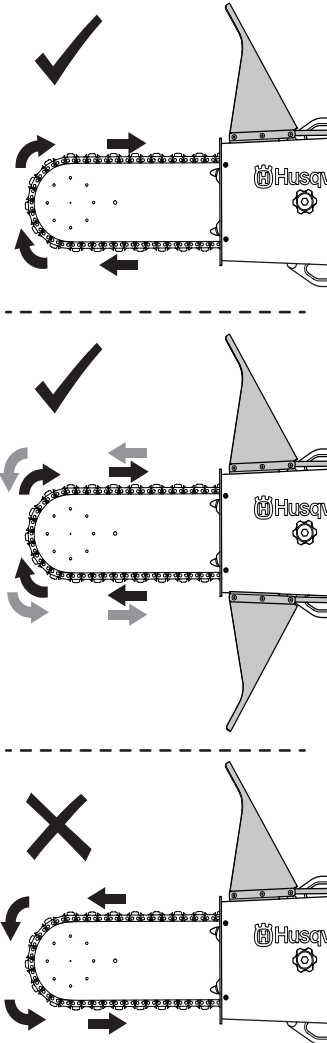
A proteção de spray dos equipamentos de corte tem de ser montada nos lados da máquina com correias de borracha. Os salpicos e as faíscas provenientes do material cortado são então recolhidos pela proteção e afastado do utilizador.

Uma vez que o sentido de rotação da corrente de diamante pode ser selecionado, o sentido da água

## MONTAGEM E AJUSTAMENTOS

pulverizada pela corrente também pode ser selecionado, independentemente da direção da serra na calha.

Quando a serra é utilizada em cortes nivelados ou em cortes normais, as proteções de spray são montadas no sentido de rotação da corrente.



## Ligue a unidade de alimentação



**ATENÇÃO!** Este produto destina-se a ser utilizado apenas em conjunto com as unidades de alimentação da série PP 400 da Husqvarna. Qualquer outra utilização é proibida.

Leia atentamente o manual de instruções fornecido com a unidade de alimentação antes de fazer uso da máquina.

A potência máxima da unidade é de 9,2 kW e portanto o modo de 16 A é apresentado ao utilizar a WSC 40 com a PP 480 e a PP 490. Isso é definido automaticamente quando o modo de corrente é selecionado no controlo remoto. Verifique se a unidade de alimentação está atualizada com o software mais recente.

## Desmontagem do acessório



**ATENÇÃO!** Desligue sempre o cabo de alimentação da unidade de corte antes da instalação, desmontagem, limpeza e manutenção. A falta de cuidado pode causar ferimentos graves ou mesmo a morte.

- 1 Desligue o cabo de alimentação e a mangueira de entrada de água.
- 2 Remova as proteções de spray.
- 3 Coloque uma mão sobre a corrente para evitar que se mova e solte o parafuso no cubo do fuso com a chave de 18 mm. Desaperte o parafuso e certifique-se de que o cubo do fuso está na posição intermédia.
- 4 Agarre com firmeza à volta da ligação de água da WSC 40. Desaperte o manipulador de fixação no grampo de fixação. Dobre o grampo de fixação para fixar os punhos paralelos.
- 5 Agarre no punho paralelo com firmeza com a mão livre. Puxe o cubo do fuso do braço da serra de corte em parede para a posição exterior. Retire a máquina.
- 6 Mantenha sempre a máquina na caixa fornecida quando não estiver a ser utilizada.

# OPERAÇÃO

## Equipamento de protecção

### Noções gerais

Nunca use uma máquina sem que possa pedir ajuda em caso de acidente.

### Equipamento de protecção pessoal

Em quaisquer circunstâncias de utilização da máquina deve ser utilizado equipamento de protecção pessoal aprovado. O equipamento de protecção pessoal não elimina o risco de lesão mas reduz os seus efeitos em caso de acidente. Consulte o seu concessionário na escolha do equipamento.



**ATENÇÃO!** A utilização de produtos de corte, esmerilhamento, perfuração, polimento ou configuração de material, podem criar poeiras e vapores contendo químicos prejudiciais para a saúde. Informe-se sobre a composição do material com que trabalha e use uma máscara respiratória adequada.

A exposição prolongada a ruídos pode provocar danos auditivos permanentes. Por isso, use sempre protectores acústicos aprovados. Esteja sempre atento a sinais de alarme ou avisos de viva voz quando usar protectores acústicos. Retire os protectores acústicos logo que o motor tenha parado.

Ao trabalhar com produtos com peças móveis, há sempre o risco de esmagamento. Use luvas de trabalho para evitar ferimentos.

Use sempre:

- Capacete protector aprovado
- Protectores acústicos
- Protecção ocular aprovada. Mesmo que se use viseira, devem usar-se óculos de protecção aprovados. Consideram-se óculos de protecção aprovados, os que estejam conformes com a norma ANSI Z87.1 nos EUA ou EN 166 nos países da UE. A viseira deve estar conforme com a norma EN 1731.
- Máscara respiratória
- Luvas fortes e de agarre seguro.
- Vestuário justo, forte e confortável que permita total liberdade de movimentos. Não utilize calções
- Botas com biqueiras de aço e solas antidesslizantes.
- Tenha cuidado com peças de vestuário, cabelos compridos e adornos, dado que podem prender-se em componentes móveis.

## Outro equipamento de protecção



**ATENÇÃO!** Podem originar-se faíscas que podem causar um incêndio, ao trabalhar com a máquina. Tenha sempre à mão utensílios para extinção de incêndios.

- Extintor de incêndios
- Kit de primeiros socorros

## Instruções gerais de segurança



**ATENÇÃO!** Leia todos os avisos e instruções de segurança. O incumprimento dos avisos e das instruções poderá resultar em choques elétricos, incêndios e/ou ferimentos graves.

Esta secção descreve as regras básicas de segurança para o trabalho com a máquina. A informação apresentada nunca substitui os conhecimentos, capacidades e a experiência de um profissional. Caso se encontre numa situação em que se sinta inseguro, interrompa o trabalho e consulte um especialista. Contacte o seu revendedor, a sua oficina de serviço ou um utilizador experiente. Evite toda a utilização para a qual não se sinta suficientemente habilitado!

- Leia as instruções para o uso com toda a atenção e compreenda o seu conteúdo antes de fazer uso da máquina.
- Leia atentamente o manual de instruções fornecido com a unidade de alimentação antes de fazer uso da máquina.
- Esta máquina destina-se a ser utilizada apenas em conjunto com as WS 440/WS 482 da Husqvarna. Todos os outros usos são interditos.
- Esta máquina pode provocar acidentes pessoais graves. Leia as instruções de segurança cuidadosamente. Aprenda a utilizar como deve a máquina.
- Esteja consciente de que o operador é responsável por acidentes e situações que possam representar perigo de danos pessoais ou materiais a terceiros.
- Todos os operadores deverão ser instruídos sobre como usar a máquina. É da responsabilidade do proprietário que os operadores recebam instrução.
- A máquina deve ser mantida limpa. As sinalizações e os autocolantes deverão estar totalmente legíveis.
- Guarde todos os avisos e instruções para referência futura.

# OPERAÇÃO



**ATENÇÃO!** A máquina, se for usada de forma indevida ou incorrecta, pode ser perigosa, causando sérios ferimentos ou mesmo a morte do utente ou outras pessoas.

Nunca deixar crianças ou outras pessoas utilizar a máquina ou efectuar a manutenção que não estejam devidamente formadas no seu manuseamento.

Nunca permita que outra pessoa utilize a máquina sem estar certo de que a mesma entende o conteúdo do manual de instruções.



**ATENÇÃO!** Modificações e/ou acessórios não autorizados podem provocar sérias lesões ou perigo de vida para o utilizador ou outros.

Não modifique nunca esta máquina de forma a deixar de corresponder à versão original e não a use caso pareça ter sido modificada por outros.

Nunca utilize uma máquina, uma bateria ou um carregador de bateria defeituoso. Siga as instruções de inspecção, manutenção e assistência técnica contidas neste manual. Alguns serviços de manutenção e de assistência técnica deverão ser executados por especialistas qualificados. Veja as instruções na secção Manutenção.

Utilize sempre peças sobresselentes originais.

## Use sempre o seu bom senso

Não é possível cobrir todas as situações possíveis que poderá enfrentar. Actue sempre com precaução e use de senso comum.

Caso se encontre numa situação em que se sinta inseguro, interrompa o trabalho e consulte um especialista. Contacte o seu revendedor, a sua oficina de serviço ou um utilizador experiente. Evite toda a utilização para a qual não se sinta suficientemente habilitado!

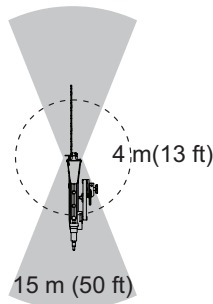
## Segurança no local de trabalho

- Verifique sempre a parte de trás da parede por onde a lâmina guia e a corrente de diamante saem ao cortar. Garanta a segurança, isolando a área com faixas e certifique-se de que não ocorrem ferimentos nem danos materiais.
- Verifique sempre e marque o trajecto dos canos de gás. Serrar perto de canos de gás implica sempre grande perigo. Ao serrar, proceder de forma a não produzir chispas, dado haver um certo perigo de

explosão. Esteja concentrado e atento à sua tarefa. Os descuidos podem resultar em ferimentos graves ou morte.

- Assegure-se de que não existem canalizações ou cabos eléctricos na área de trabalho ou no interior do material a ser cortado.
- Certifique-se de que não existem cabos eléctricos com corrente dentro da área de trabalho.
- Não permita a presença de pessoas estranhas na área de trabalho, sob risco de danos pessoais sérios. A distância de segurança é de 15 metros (50 ft).
- Evite o uso em condições meteorológicas desfavoráveis. Por exemplo, em denso nevoeiro, chuva e vento fortes, frio intenso, etc.
- Trabalhar com mau tempo é cansativo e pode levar a situações perigosas, tais como ir para terreno escorregadio.
- Assegure-se de que a área de trabalho está suficientemente iluminada, para que o ambiente de trabalho seja seguro.
- Certifique-se de que tem uma posição de trabalho segura e estável.

## Área de risco da máquina



**ATENÇÃO!** Não permita a presença de pessoas estranhas na área de trabalho, sob risco de danos pessoais sérios. A distância de segurança é de 15 metros (50 ft).



**ATENÇÃO!** Para o operador, a margem de segurança mínima para peças em movimento durante o funcionamento é de 4 metros (13 pés). O operador deve sempre permanecer a um ângulo na diagonal por trás da serra em funcionamento, para evitar o risco de ser atingido por objetos do material. Tenha especial cuidado no arranque, quando a serra penetra no material.

**IMPORTANTE!** Não é permitida a presença de pessoas sem o equipamento de protecção descrito acima no interior da área de risco de materiais arremessados.

# OPERAÇÃO

## Segurança no manejo de electricidade

Consulte as secções sobre a segurança elétrica nos manuais da serra de corte em parede e da unidade de alimentação utilizadas.



**ATENÇÃO! Não lave a máquina à pressão, pois a água pode penetrar no sistema eléctrico ou no motor e causar danos na máquina ou curto-circuitos.**

## Segurança pessoal

- Não deixe nunca a máquina sem vigilância com o motor a trabalhar.
- Nunca utilize a serra de forma que não consegue facilmente alcançar a paragem de emergência no controlo remoto ou na unidade de alimentação. Consulte o manual da unidade de alimentação.
- Ao usar a máquina, trate sempre de ter mais alguém perto de si, de modo a poder pedir ajuda no caso de ocorrer um acidente.
- As pessoas que necessitem de estar bastante próximas da máquina devem utilizar o equipamento de protecção necessário, incluindo protectores acústicos, pois o nível sonoro durante a cortagem excede os 85 dB(A).
- Tenha cuidado ao levantar pesos. As peças com que trabalha são pesadas, o que implica, entre outros, perigo de esmagamento.
- Pessoas e animais podem distraí-lo de forma a perder o controlo sobre a máquina. Por isso, esteja sempre concentrado e atento à sua tarefa.
- Tenha cuidado com peças de vestuário, cabelos compridos e adornos, dado que podem prender-se em componentes móveis.
- **Remova qualquer chave de ajuste ou chave de porcas antes de ligar a ferramenta à corrente eléctrica.** Uma chave de porcas ou uma chave ligada a uma peça em rotação da ferramenta eléctrica pode resultar em lesões pessoais.
- Não deixe nunca a máquina sem vigilância com o motor a trabalhar.
- Perigo de esmagamento. Se for montada incorretamente, a máquina pode cair e ferir o operador.
- Tenha cuidado ao levantar pesos. As peças com que trabalha são pesadas, o que implica, entre outros, perigo de esmagamento.

## Utilização e manutenção

- Nunca monte ou desmonte a ferramenta ou as proteções sem primeiro retirar o cabo de alimentação ligado à unidade de corte.
- Nunca retire o cabo de alimentação eléctrica antes de desligar a unidade de alimentação e esperar que o motor pare completamente.
- Nunca realize cortes sem usar as proteções corretas.
- Verifique se a corrente não entra em contacto com nada quando a máquina é ligada.

- Para o operador, a margem de segurança mínima para peças em movimento durante o funcionamento é de 4 metros (13 pés). O operador deve sempre permanecer a um ângulo na diagonal por trás da serra em funcionamento, para evitar o risco de ser atingido por objetos do material.
- Deve-se usar sempre arrefecimento a água. Isso arrefece a corrente e a lâmina da corrente, aumentando as suas vidas úteis e prevenindo a acumulação de pó.
- Verifique que todas as uniões, ligações e cabos estão intactos e limpos.
- Antes de serrar, todos os cortes que vão ser executados deverão ser marcados nitidamente e planeados de forma a poderem ser efectuados sem perigo para pessoas ou para a máquina.
- Fixe firmemente ou ancore os blocos de cimento antes de cortar. O peso elevado do material cortado pode causar bastantes danos à máquina e ferimentos pessoais graves, caso não possa ser movido em condições controladas.

## Transporte e armazenagem

- Retire sempre o cabo elétrico antes de deslocar o equipamento.
- Desmonte o disco e a protecção do disco antes de transportar e armazenar.
- Armazene o equipamento numa área que seja possível de trancar, de modo a mantê-lo fora do alcance de crianças e pessoas não autorizadas.
- Se houver risco de congelamento, a máquina deve ser drenada de todos os restos de água de arrefecimento.
- Utilize as malas fornecidas para guardar o equipamento.

## Técnicas básicas de trabalho



**ATENÇÃO! A técnica de trabalho da WSC 40 é aplicável apenas a este produto. Nunca adapte estas técnicas de trabalho a outros equipamentos.**

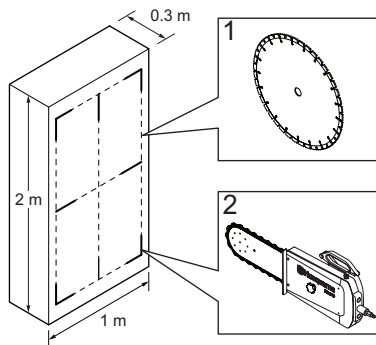


**ATENÇÃO! Utilize sempre uma lâmina com segmentos mais largos do que os segmentos da corrente. Isso é extremamente importante se for utilizada uma máquina de mão para finalizar o corte. Se for utilizada uma máquina guiada por calha, como a WSC 40, este ponto pode ser ignorado.**

Inicie o corte com a serra de corte em parede com lâmina (1) de acordo com a figura. Em seguida, utilize o acessório de corrente para serra de corte em parede (2) de acordo com a figura.

# OPERAÇÃO

O corte é efetuado como ilustrado na figura:



Empurre a lâmina 3 a 7 cm (1,2'-2,8'). Faça o corte piloto para obter um corte reto, sendo essa a base para o corte seguinte. O corte deve ser feito com cuidado. O braço de corte admite a utilização de lâminas até 1000 mm (40") como lâminas iniciais. No entanto, é recomendado iniciar o corte com uma lâmina de 800 mm (31,5').

- Terminado o corte guia, pode-se efectuar cortes mais fundos. A profundidade desses cortes deve ser determinada em cada caso específico e depende de factores como a dureza do betão, e existência de ferros de armação no mesmo, etc.
- Se mudar de lâmina para fazer um corte mais profundo no mesmo corte, assegure-se de que a espessura do disco corresponde à largura do primeiro corte.
- Opere a máquina sem forçar nem pressionar o disco.

Quando os cortes com a lâmina terminarem, substitua a lâmina com o acessório de corrente para serra de corte em parede e corte o material restante para obter cantos afiados.

Se estiver a cortar betão altamente reforçado ou agregado duro, deve iniciar o corte A menos 50 mm (2") a partir do canto. Consulte a tabela na secção sobre corte excessivo para saber quais as medidas de A.

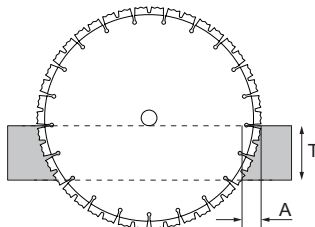
**NOTA!** Altere a definição do controlo remoto para o modo de corrente quando utilizar o acessório de corrente para serra de corte em parede.

Enfie o acessório de corrente para serra de corte em parede na parede e corte com a roda dianteira. O software ajusta automaticamente a alimentação longitudinal para efetuar o corte com a roda dianteira. Certifique-se de que existe espaço suficiente entre a unidade móvel da serra e o batente da extremidade da calha quando o corte começa (escolha o sentido correto da rotação do braço).

**NOTA!** Certifique-se de que modo de corrente está seleccionado no controlo remoto. Caso contrário, a ferramenta sofre um desgaste excessivo.

## Corte excessivo

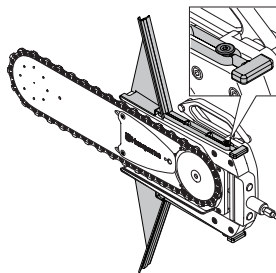
O comprimento do corte excessivo depende da espessura da parede e da lâmina utilizada.



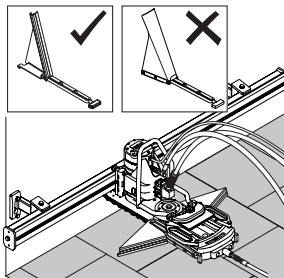
Tamanho da lâmina	800 mm/32"	1000 mm/40"
T (mm/inch)	A (corte excessivo em mm/polegadas)	
200/8	100/4	80/3
250/10	160/6	120/5
300/12	250/10	160/6
350/14	-	230/9
400/16	-	335/13

## Corte à face

Remova as proteções de spray para cortes normais e a cobertura da transmissão. Substitua as proteções de spray com proteções fornecidas para cortes nivelados.



Recomendamos que ambas as proteções para cortes nivelados estejam montadas, mas em algumas aplicações (cortes alinhados com o chão ou com o teto) pode remover-se temporariamente uma das proteções. Pelo menos a proteção no sentido da corrente tem de estar montada. Substitua a proteção após o corte.

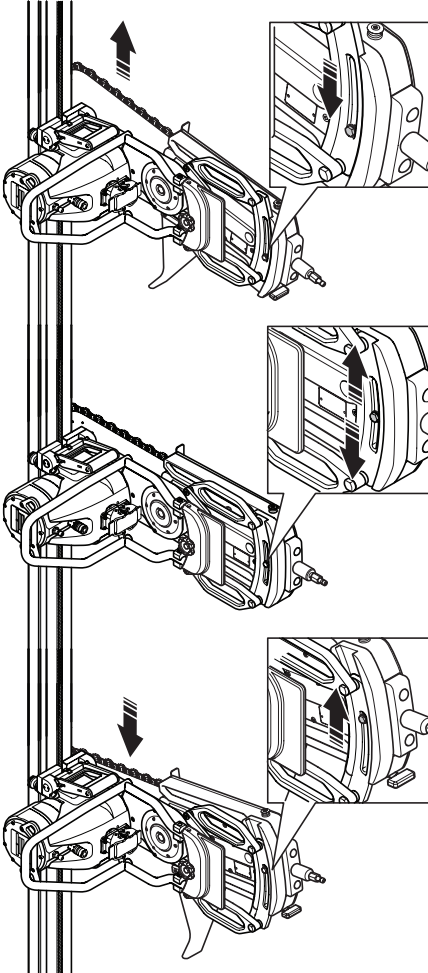


# OPERAÇÃO

## Ajuste do ângulo

O ajuste do ângulo é utilizado para obter um corte perfeito em ângulos próximos ao teto, a paredes ou ao piso. Ajuste o ângulo para a sua posição máxima. A direção depende do corte.

Desaperte o parafuso e ajuste o ângulo.



## Velocidade da corrente recomendada

Para obter o melhor desempenho de corte, utilize a velocidade de corte total de 28 m/s (92 pés/s) em betão macio e médio.

Se for utilizada a WS 482, certifique-se de que a engrenagem mecânica 2 é engatada para obter a indicação correta da velocidade da corrente.

**NOTA!** Realizar cortes em rotações demasiado baixas pode causar danos à corrente e à lâmina da corrente. Certifique-se de que seleciona a engrenagem mecânica correta! No corte de betão duro deve ser utilizada uma velocidade de corrente inferior à utilizada no corte de betão macio.



**ATENÇÃO!** Aperte sempre o parafuso com um binário de aperto de 20 Nm (15 ft-lbs).



# ARRANQUE E PARAGEM

## Antes de ligar

- Cerque a área que vai ser serrada, de forma a que pessoas não autorizadas não se possam ferir ou incomodar o operador no seu trabalho.
- Verifique que a lâmina e a protecção da lâmina não estão danificadas nem rachadas. Substitua a lâmina ou a protecção da lâmina se alguma delas tiver sido exposta a impactos ou estiver rachada.
- Verifique se a corrente, a lâmina da corrente e as proteções da corrente não apresentam sinais de danos ou fissuras. Substitua-as se tiverem sido expostas a impactos ou se estiverem rachadas.
- Verifique se todos os cabos e o fornecimento de água estão ligados correctamente à máquina antes de colocar em funcionamento.

## Arranque

Siga as instruções de colocação em funcionamento que são fornecidas com a unidade de alimentação.

**NOTA!** Certifique-se de que o modo de condução correto para a WSC40 está selecionado no controlo remoto. Caso contrário, ocorrerá um desgaste excessivo da corrente e da lâmina da corrente.

**IMPORTANTE!** Certifique-se de que tem o software mais recente instalado na sua unidade de alimentação e no controlo remoto. O centro de assistência da Husqvarna pode fornecer-lhe o software mais recente.

Selecione a engrenagem mecânica 2, se estiver a utilizar uma serra de corte em parede WS 482.

## Selecionar o modo de condução.

Os modos de condução são alterados no controlo remoto fornecido com o equipamento da serra de corte em parede. Troque de ferramenta entre a lâmina e o acessório de corrente para serra de corte em parede, premindo os botões de seta para cima e para baixo.

A unidade de alimentação pode mostrar mais opções. Certifique-se de que selecionou o modo correto para a ferramenta em utilização.

Se for selecionado o modo de condução incorreto, pode ocorrer desgaste excessivo das ferramentas.

## Calibração

Se o acessório de corrente para serra de corte em parede não cortar em linha reta na parede, poderá ter de voltar a calibrar os sensores de posição.

- 1 Utilize a rotação do braço para mover a serra para a posição exterior. Os dois punhos têm de ficar totalmente paralelos.
- 2 Prima Menu, selecione Calibrar a posição do braço e prima OK. A posição está agora calibrada.

Para obter mais detalhes, consulte o manual do operador da unidade de alimentação Husqvarna.

## Paragem

- Assim que o corte estiver concluído, retire a lâmina da WSC 40 da parede e desligue a rotação da lâmina e o fluxo de água.
- Desligue a unidade de alimentação.

## Desmontagem da serra

- 1 Deixe o motor parar totalmente.
- 2 Desligue a alimentação de electricidade da unidade de alimentação.
- 3 Desligue e desconecte a água que entra na unidade de alimentação.
- 4 Desengate o cabo de alimentação eléctrica e a mangueira de água da serra.
- 5 Os restantes momentos são executados ao inverso da montagem.

## Limpeza

Terminada a serração, deve-se limpar a serra. É importante que todo o equipamento de corte seja limpo.

**IMPORTANTE!** Não utilize lavagem a alta pressão para limpar a serra.

## Transporte e armazenagem

Desligue sempre a unidade de alimentação e retire o cabo de alimentação eléctrica antes de deslocar o equipamento.

Desmonte as proteções de spray antes do transporte e do armazenagem.

Armazene o equipamento numa área que seja possível de trancar, de modo a mantê-lo fora do alcance de crianças e pessoas não autorizadas.

Se houver risco de congelação, a máquina tem de ser drenada de qualquer água restante.

Utilize as malas fornecidas para guardar o equipamento.

# MANUTENÇÃO

## Noções gerais



**ATENÇÃO!** O utente só pode efectuar trabalhos de manutenção e assistência do tipo descrito nestas instruções. Intervenções maiores devem ser efectuadas por uma oficina autorizada.

A inspeção e/ou a manutenção têm ser efetuadas com o motor desligado e a ficha de alimentação desligada.

Use equipamento de protecção pessoal. Ver as instruções na secção "Equipamento de protecção pessoal".

A duração da máquina pode ser afectada e o perigo de acidentes pode aumentar se a manutenção da máquina não for correcta e se as revisões e reparações não forem executadas de forma profissional. Se necessitar de mais esclarecimentos, entre em contacto com uma oficina autorizada.

Permita ao seu revendedor Husqvarna que verifique a sua máquina com regularidade e faça os ajustamentos e as reparações necessários.

Realize sempre a manutenção e a assistência num ambiente limpo, sem detritos no chão.

## Esquema de manutenção

No esquema de manutenção, pode verificar quais as peças da sua máquina que necessitam de manutenção, e a que intervalos deve efectuar essa manutenção. Os intervalos são calculados com base numa utilização diária da máquina, podendo diferir dependendo da taxa de utilização da máquina.

	Controle diário	Por cada metro quadrado de corte
<b>Limpeza</b>	Limpeza do exterior	
<b>Lubrificação</b>	Pulverize a corrente e a lâmina guia com óleo.	Aplique massa lubrificante na lâmina guia com 2 a 3 pinceladas no ponto de lubrificação
	Aplique massa lubrificante na lâmina guia. Pincele no ponto de lubrificação até a lâmina da corrente ficar coberta de massa lubrificante.	
<b>Inspeção funcional</b>	Inspeção geral	
	Sistema da água	
	Cobertura e protecção de spray	
	Lâmina guia, corrente de diamante e pinhão	

## Limpeza

### Limpeza do exterior

O acessório de corrente para serra de corte em parede tem de ser limpo assim que o corte for terminado. Utilize a escova de limpeza fornecida com a serra de corte em parede e ligue-a à mangueira de água. Limpe todos os equipamentos do sistema.



**ATENÇÃO!** Não utilize máquinas de lavar de alta pressão para limpar a máquina.

## Inspecção funcional

### Inspecção geral



**ATENÇÃO! Nunca use cabos danificados, pois podem causar acidentes graves e até mesmo mortais.**

- Verifique se os parafusos e porcas estão apertados.
- Verifique se todas as superfícies estão limpas.
- Verifique se a cobertura e as proteções de spray apresentam sinais de danos ou desgaste.
- Verifique o desgaste na engrenagem da transmissão.
- Verifique se a corrente e a lâmina da corrente apresentam sinais de danos e desgaste.
- Verifique o esticamento da corrente.
- Verifique a função de tensão da corrente.
- Verifique regularmente o nível de desgaste do pinhão da corrente. Substitua-o caso apresente desgaste anormal.

### Desmontagem antes da verificação

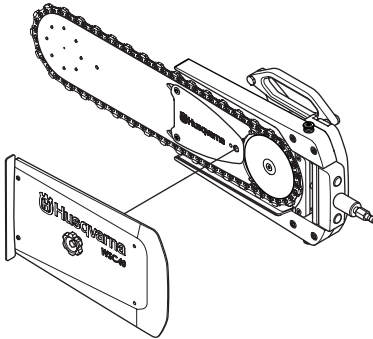


**ATENÇÃO! Desligue sempre o cabo de alimentação da unidade de corte antes da instalação, desmontagem, limpeza e manutenção.**

- 1 Desligue as mangueiras de água da serra e pendure-as no local designado no carrinho de transporte.

Desligue as mangueiras de água da unidade de corte e pendure-as no local designado no carrinho ou caixa de transporte.

- 2 Remova as proteções de spray.
- 3 Desaperte o parafuso do punho e retire a cobertura.

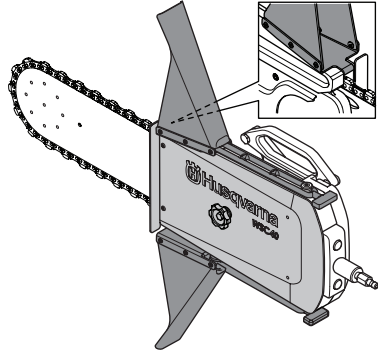


### Cobertura e proteções de spray

Verifique a cobertura e a proteção de spray.

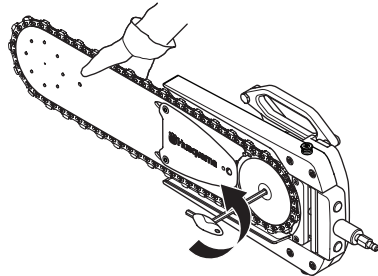
Certifique-se de que não existem fissuras nem orifícios causados pelas lamas projetadas contra a cobertura da

transmissão e a proteção de spray. Se estiverem danificadas, substitua-as.

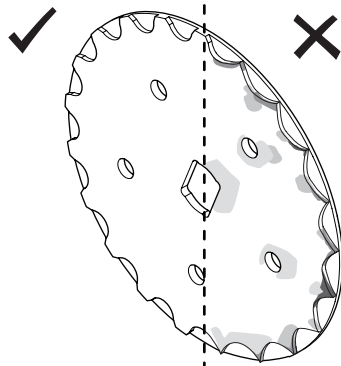


### Pinhão da corrente

- 1 Segure a corrente com uma mão e desaperte o parafuso com a chave allen fornecida. Remova a arruela de fixação.



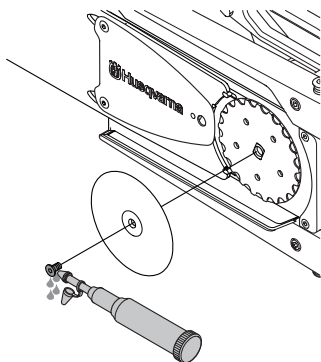
- 2 Verifique regularmente o nível de desgaste do pinhão da corrente. Substitua-o caso apresente desgaste anormal.



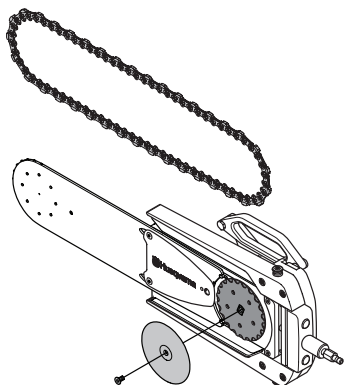
- 3 Quando o pinhão for desapertado com a chave, as roscas e a cabeça do parafuso têm de ser

# MANUTENÇÃO

lubrificadas. Se o parafuso não estiver devidamente lubrificado, irá soltar-se.

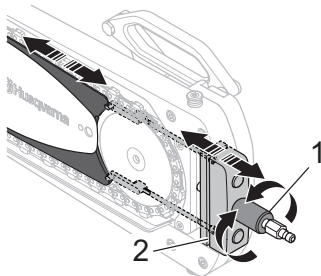


- 4 Aperte sempre o parafuso com um binário de aperto de 20 Nm (15 ft-lbs).



## Corrente

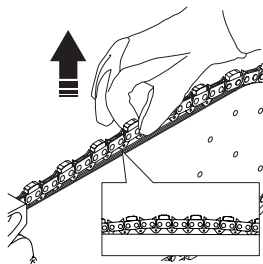
- 1 Desaperte o manípulo (1) completamente, para afrouxar a tensão da corrente.



- 2 Puxe a corrente para libertar o mecanismo de tensão (2) e remova a corrente.
- 3 Inspeccione a corrente quanto a danos ou desgaste. Se necessário, monte uma nova corrente na lâmina da corrente.

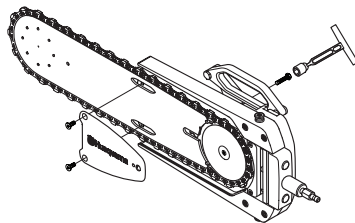
- 4 A tensão da corrente é ajustada com o manípulo (1).

NOTA! A tensão correta da corrente de diamante desta máquina difere de outras motosserras. Quando a corrente tem a tensão perfeita, fica apertada contra a lâmina da corrente e num círculo perfeito à volta da lâmina da corrente. Após o tensionamento deverá continuar a ser possível levantar a corrente de modo a que as guias da corrente fiquem paralelas à lâmina da corrente e que a corrente se desloque com facilidade.

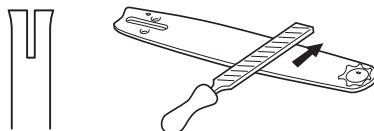


## Lâmina

- 1 Use a chave em T de 13 mm para remover o parafuso que fixa a lâmina guia.



- 2 Utilize a chave allen fornecida para remover os 2 parafusos de cabeça escareada. Conserve os parafusos. Se estes parafusos tiverem de ser substituídos, utilize apenas parafusos incluídos na lista de peças ilustrada (IPL).
- 3 Remova a lâmina guia e verifique se apresenta sinais de desgaste.
- 4 Verifique se há rebarbas nas extremidades da lâmina. Elimine-as com uma lima, se necessário.

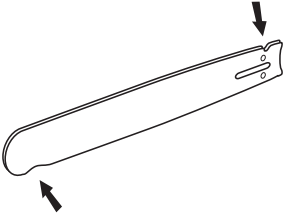


- 5 Verifique se a ranhura da lâmina apresenta um desgaste excessivo. Substitua a lâmina, se necessário.

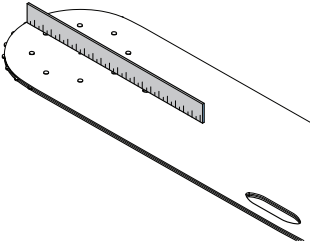


# MANUTENÇÃO

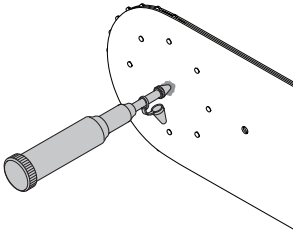
- 6 Verifique se a ponta da lâmina está irregular ou demasiado gasta. Caso se forme uma reentrância na parte inferior da ponta da lâmina, tal é causado por uma utilização com folgas. Para prolongar a vida útil da lâmina, mude o sentido de rotação da corrente nas configurações do controlo remoto. Para obter detalhes, consulte o manual do operador da unidade de alimentação Husqvarna.



- 7 Utilize uma régua para verificar se a lâmina não está dobrada. Coloque a régua contra a parte dianteira da lâmina. A régua tem de ficar alinhada com a lâmina.

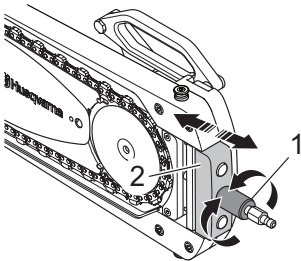


- 8 Aplique diariamente massa lubrificante na lâmina guia e na corrente de diamante.

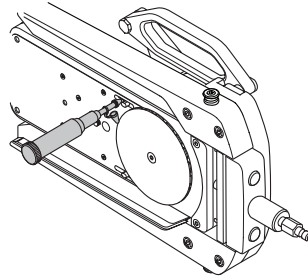


## Função de tensão da corrente

- 1 Puxe o bloco cinzento para verificar a elasticidade.

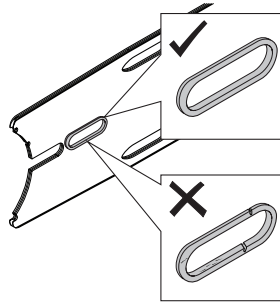


- 2 Limpe as ranhuras e lubrifique-as.



## Anel de vedação

- 1 Verifique se a vedação apresenta sinais de desgaste. Proceda à substituição, se necessário.

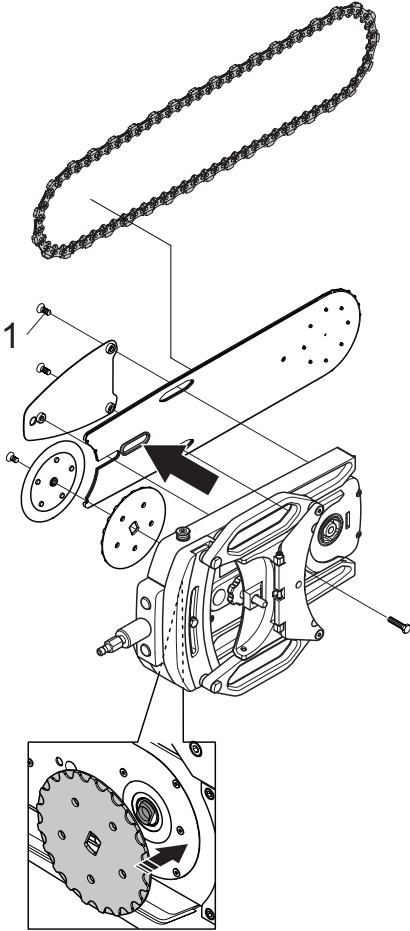


- 2 Limpe todas as superfícies.

# MANUTENÇÃO

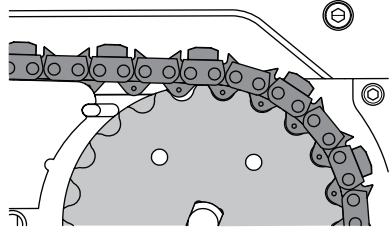
## Montagem após a manutenção

- 1 Coloque o pinhão no eixo de saída.
- 2 Monte de acordo com a figura.

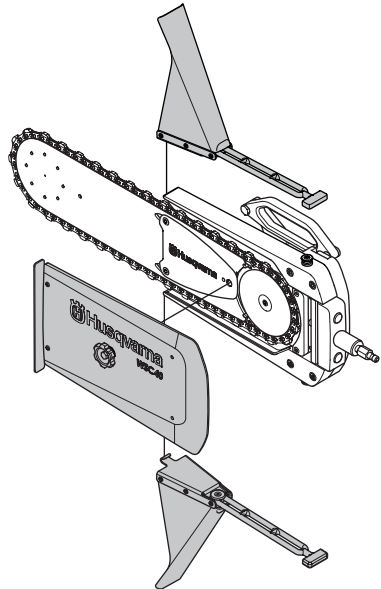


- 3 Aperte os 2 parafusos de cabeça escareada (1) com um binário de aperto de 20 Nm.

- 4 Coloque a corrente na lâmina da corrente e certifique-se de que a corrente segue cuidadosamente a roda dentada dianteira e os pinhões.



- 5 Quando o pinhão for desapertado com a chave, as roscas e a cabeça do parafuso têm de ser lubrificadas. Se o parafuso não estiver devidamente lubrificado, irá soltar-se. Aperte sempre o parafuso com um binário de aperto de 20 Nm (15 ft-lbs).
- 6 Utilize o manipulador rotativo para ajustar a tensão da corrente. Verifique a tensão da corrente. Aperte a arruela de fixação com o parafuso. Aplique um binário de aperto de 20 Nm (15 ft-lbs).
- 7 Substitua a cobertura. Aperte o manipulador cuidadosamente à mão.



# LOCALIZAÇÃO DE AVARIAS

## Esquema de detecção de avarias



**ATENÇÃO!** Se as operações de assistência ou a resolução de problemas não requerem que a máquina esteja ligada, o motor deve ser desligado e o contacto de paragem deve ser colocado na posição de paragem (STOP).

Problema	Causa provável	Possível Solução
A máquina tem um funcionamento pesado ou não entra no material.	Desgaste da corrente ou da lâmina.	Inspeccione e troque se necessário.
	Devem ser libertados novos diamantes na corrente.	Mude o sentido de rotação da corrente.
A serra está torta.	Desgaste da corrente ou da lâmina.	Inspeccione e troque se necessário.
	A barra de direção da unidade de corte está dobrada.	Ajuste ou substitua a barra de direção.
O corte é pesado e também fora do material.	Demasiada massa lubrificante na fase de lubrificação.	Deixe a serra rodar fora do material durante um minuto.
	Montagem incorreta.	Inspeccione quanto a montagem incorreta; arruela de fixação, pinhão, corrente, lâmina, eixo
	Ferrugem ou corrosão.	Utilize massa lubrificante para lubrificar. Substitua as peças com corrosão elevada.
A lâmina vibra em determinadas velocidades.	Pinhão gasto.	Inspeccione e troque se necessário.
Níveis de vibração demasiado elevados	Corrente de diamante instalada incorretamente	Certifique-se de que a lâmina de guia e a corrente de diamante estão montadas corretamente e que não apresentam sinais de danos. Consulte as instruções nas secções 'Correntes de diamante' e 'Manutenção'.
Desgaste anormal da corrente ou da lâmina.	É utilizada água insuficiente no corte.	Substitua a corrente de diamante e certifique-se de que está intacta.
	Potência de saída demasiado elevada na PP 480 ou PP 490.	Verifique se selecionou o modo de corte 'corrente' no controlo remoto. Se este modo não estiver disponível, contacte a sua oficina autorizada Husqvarna para obter uma atualização de software.
	Tensão inadequada da corrente	Ajuste a tensão da corrente.
	Folga na montagem/montagem incorreta.	Mova a máquina para a frente e para trás para verificar se todas as peças estão corretamente montadas e se a montagem na parede está correta.
Em profundidade, a máquina funciona em arco.	A lâmina está danificada.	Danos permanentes. Substitua a lâmina.
	O corte foi realizado sem um pré-corte com lâmina.	Danos permanentes. Substitua a lâmina.
	Atingiu uma parte de ferro longitudinal.	Mova a serra de lado e faça um novo corte.

# ESPECIFICAÇÕES TÉCNICAS

## WSC 40

Entrada de potência máx. (kW)	9,2
Entrada, máx. (rpm)	1200
Potência	Acionamento da engrenagem
Entrada de aperto de acionamento, Máx. (Nm)	230
Volume de óleo da caixa de velocidades, (dl/fl oz)	1,5/5
Pressão da água de arrefecimento - máx., (bar/psi)	10/145
Fluxo de água mín. recomendado, (l/min/galão/min)	3,5/1
Temperatura máx. da água de arrefecimento a 3,5 l/min/1 galão/min, (C/F)	60/140

### Peso

WSC 40 incl. duas proteções (kg/lb)	19/42
Peso total com caixa de transporte (kg/lb)	27/60

### Emissões de ruído (ver nota 1)

Nível de potência sonora, $L_w$ dB(A) medidos	105
---	-----

### Níveis acústicos (ver nota 2)

Nível de pressão acústica junto ao ouvido do utilizador, dB(A)	83
--	----

Nota 1: Emissões de ruído para o meio ambiente, medidas sob forma de potência sonora ( $L_w$ ) em conformidade com a norma EN 15027/A1. Incerteza de medição geral de 2,5 dB(A).

Nota 2: Nível de ruído em conformidade a EN 15027/A1.

Incerteza de medição geral de 4 dB(A).

## Especificação do equipamento de corte recomendado, corrente

Lâmina de guia e corrente de diamante	Número de segmentos da corrente de diamante:	Passo da corrente de diamante, (mm/polegadas)	Largura do segmento da corrente de diamante, (mm/polegadas)	Velocidade da corrente máx. (m/s/pés/s)
24" (0,444")	37	11,582/0,444	5,7/0,22	28/92

## Especificação do equipamento de corte recomendado, lâmina guia

Comprimento da lâmina guia (mm/polegadas)	Profundidade de corte máx. em linha reta (mm/polegadas)	Profundidade de corte máx., (mm/polegadas)	Largura de corte mín. (mm/polegadas)	Largura da lâmina guia com corrente (mm/polegadas)	Largura da lâmina guia (mm/polegadas)
614/24	300/12	400/15,7	200/8	192/8	154/6



---

# ESPECIFICAÇÕES TÉCNICAS

---

## Certificado CE de conformidade

(Válido unicamente na Europa)

A **Husqvarna AB**, SE-561 82 Huskvarna, Suécia, tel: +46-36-146500, declara, sob sua inteira responsabilidade, que o acessório de corrente para serra de corte em parede **Husqvarna WSC 40** (em conjunto apenas com a **Husqvarna WS 440/WS 482 e a unidade de alimentação de alta frequência da Husqvarna**), com números de série de 2016 e seguintes (o ano é indicado claramente em texto simples na etiqueta de tipo, seguido do número de série), estão em conformidade com o estipulado na DIRETIVA DO CONSELHO:

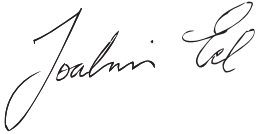
- de 17 de Maio de 2006 "referente a máquinas" **2006/42/CE**.

Foram respeitadas as normas seguintes:

EN ISO 12100:2010, EN 15027+A1:2009

Göteborg, 23 de Maio de 2016

Joakim Ed



Diretor de I&D global

Construction Equipment Husqvarna AB

(Representante autorizado da Husqvarna AB e responsável pela documentação técnica.)

# ΗΠΗΞΗΓΗΣΗ ΣΥΜΒΟΛΩΝ

## Σύμβολα πάνω στο μηχάνημα:

**ΠΡΟΗΔΟΠΟΙΗΣΗ!** Το μηχάνημα μπορεί να γίνει ηπικίνδυνο. Η απρόσηχη ή λανθασμένη χρήση μπορεί να έχει ως αποτέλεσμα σοβαρό ή θανάσιμο τραυματισμό του χειριστή ή άλλων ατόμων.



Διαβάστε προσεκτικά τις Οδηγίες χρήσης και κατανοήστε το περιεχόμενό πριν χρησιμοποιήσετε το μηχάνημα.



Χρησιμοποιήστε πάντοτε:

- Ηγικηκρμένο προστατητικό κράνος
- Ηγικηκρμένα προστατητικά μέσα ακοής
- Προστατητικά γυαλιά ή δικτυωτή μάσκα
- Αναπηυστική μάσκα



Κίνδυνος κοψίματος. Κρατάτε όλα τα μέρη του σώματος σας μακριά από τον εξοπλισμό κοπής.



Κίνδυνος ιπτάμενων αντικειμένων. Ο χειριστής πρέπει πάντα να στέκεται διαγώνια πίσω από το αλυσοπρίονο που χρησιμοποιείται, ώστε να αποφευχθεί ο κίνδυνος χτυπήματος από αντικείμενα του υλικού.



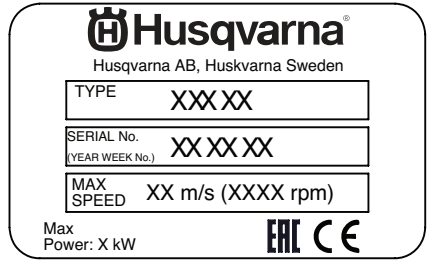
Διατηρήστε απόσταση ασφαλείας από το μηχάνημα. Για το χειριστή, το ελάχιστο περιθώριο ασφαλείας από τα κινούμενα εξαρτήματα κατά τη διάρκεια των εργασιών είναι 4 μέτρα (13 πόδια).



Αυτό το προϊόν ηνία σύμφωνο με τις ισχύουσες οδηγίες της ΗΚ.



## Πινακίδα σήμανσης μηχανήματος



Σειρά 1: Ηπωνυμία

Σειρά 2: Διεύθυνση κατασκευαστή

Σειρά 3: Τύπος

Σειρά 4: Αριθμός σειράς (έτος, εβδομάδα, αριθμός)

Σειρά 5: Μέγιστη ταχύτητα

Σειρά 6: Μέγιστη ισχύς, σύμβολα πιστοποίησης που ισχύουν σε ορισμένες αγορές.

## Ηπηξήγηση ηπιπέδων προηδοποίησης

Οι προηδοποιησές διακρίνονται σε τρία ηπίπεδα.

### ΠΡΟΗΔΟΠΟΙΗΣΗ!



**ΠΡΟΗΔΟΠΟΙΗΣΗ!** Χρησιμοποιείται όταν υπάρχει κίνδυνος σοβαρού τραυματισμού ή θανάτου του χειριστή ή πρόκλησης ζημίας στον εξοπλισμό και τον περιβάλλοντα χώρο, εάν δεν τηρούνται οι οδηγίες που παρέχονται στο ηγχηριδίδιο.

### ΣΗΜΑΝΤΙΚΟ!



**ΣΗΜΑΝΤΙΚΟ!** Χρησιμοποιείται όταν υπάρχει κίνδυνος τραυματισμού του χειριστή ή πρόκλησης ζημίας στον εξοπλισμό και τον περιβάλλοντα χώρο, εάν δεν τηρούνται οι οδηγίες που παρέχονται στο ηγχηριδίδιο.

### ΠΡΟΣΟΧΗ!

**ΠΡΟΣΟΧΗ!** Χρησιμοποιείται όταν υπάρχει κίνδυνος βλάβης στα υλικά ή το μηχάνημα, εάν δεν τηρούνται οι οδηγίες που παρέχονται στο ηγχηριδίδιο.

Τα υπόλοιπα σύμβολα/ηπιγραφές του μηχανήματος αναφέρονται σε ηδικές απαιτήσεις για ηπλήρωση προδιαγραφών έγκρισης σε ορισμένες αγορές.

# ΠΗΡΙΗΧΟΜΗΝΑ

## Περιεχόμενα

### ΗΠΗΞΗΓΗΣΗ ΣΥΜΒΟΛΩΝ

Σύμβολα πάνω στο μηχάνημα: .....	74
Πινακίδα σήμανσης μηχανήματος .....	74
Ηπξηγηση ηπιπέδων προηδοποίησης .....	74

### ΠΗΡΙΗΧΟΜΗΝΑ

Περιεχόμενα .....	75
-------------------	----

### ΠΑΡΟΥΣΙΑΣΗ

Αγαπητέ πηλάτη! .....	76
Σχηδιασμός και ληιτουργίες .....	76
WSC 40 .....	76

### ΤΙ ΗΝΑΙ ΤΙ;

Τα εξαρτήματα του WSC 40 .....	77
--------------------------------	----

### ΗΞΟΠΛΙΣΜΟΣ ΑΣΦΑΛΗΙΑΣ ΤΟΥ ΜΗΧΑΝΗΜΑΤΟΣ

Γηνικά .....	78
--------------	----

### ΑΛΥΣΙΔΗΣ ΜΗ ΔΙΑΜΑΝΤΙ

Γηνικά .....	79
Έληγχος αλυσίδας .....	79
Έληγχος πριονιού .....	79
Υλικά .....	79
Στίλβωση .....	79
Μηταφορά και αποθήκηση .....	79

### ΣΥΝΑΡΜΟΛΟΓΗΣΗ ΚΑΙ ΡΥΘΜΙΣΗΣ

Γηνικά .....	80
Τοποθέτηση ηπιτοίχιων στηριγμάτων και ράγας .....	80
Τοποθήτση τον κόπτη και τον φορέα του .....	80
Βεβαιωθείτε ότι ο οδηγός του προφυλακτήρα λειπίδας είναι παράλληλος με τη λειπίδα .....	80
Τοποθέτηση εξαρτήματος αλυσίδας του κόπτη τοιχοποιίας .....	80
Τοποθέτηση αδαμαντοφόρου αλυσίδας .....	82
Διαδικασία τάνυσης της αδαμαντοφόρου αλυσίδας .....	82
Τοποθέτηση προφυλακτήρα ψεκασμού .....	82
Συνδέστη τη μονάδα ισχύος .....	83
Αφαίρεση του εξαρτήματος .....	83

### ΛΗΙΤΟΥΡΓΙΑ

Προστατητικός ηξοπλισμός .....	84
Βασικές τηχνικές ηργασίας .....	87
Συνιστώμενη ταχύτητα αλυσίδας .....	88

### ΞΗΚΙΝΗΜΑ ΚΑΙ ΣΤΑΜΑΤΗΜΑ

Προτού Ξηκινήσηη .....	89
Ηκκίνηση .....	89
Ηπιλέξετε λειτουργία κίνησης. ....	89
Βαθμονόμηση .....	89
Σταμάτημα .....	89
Αποσυναρμολόγηση του κόπτη .....	89
Καθαρισμός .....	89

### ΣΥΝΤΗΡΗΣΗ

Γηνικά .....	90
Πρόγραμμα συντήρησης .....	90
Καθαρισμός .....	90
Έληγχος ληιτουργίας .....	91

### ΑΝΑΖΗΤΗΣΗ ΣΦΑΛΜΑΤΩΝ

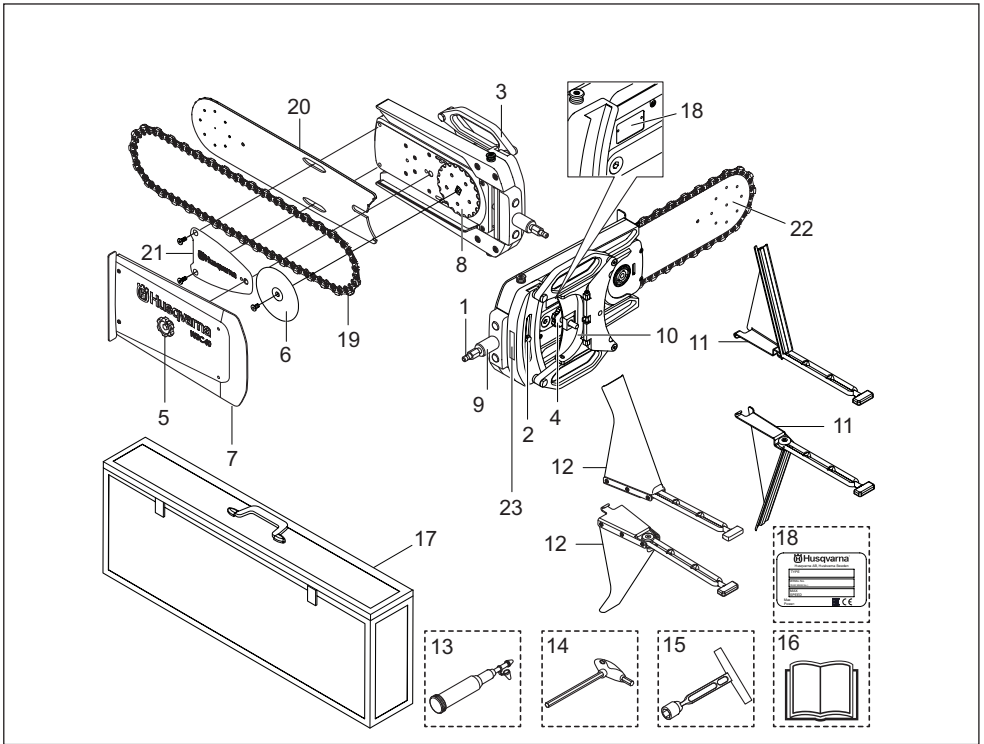
Σχηδιάγραμμα αντιμητώπισης προβλημάτων .....	95
--	----

### ΤΗΧΝΙΚΑ ΣΤΟΙΧΗΙΑ

WSC 40 .....	96
Συνιστώμενος προδιαγραφές εξοπλισμού κοπήσ, αλυσίδα .....	96
Συνιστώμενος προδιαγραφές εξοπλισμού κοπήσ, λάμα .....	96
ΗΚ-Βηβαιώωση συμφωνίας .....	97



## ΤΙ ΗΙΝΑΙ ΤΙ;



### Τα εξαρτήματα του WSC 40

- |   |                                  |
|---|----------------------------------|
| 1 Σύνδεση ηύκαμπτου σωλήνα, ήισοδος νηρού       | 13 Σωληνάριο γράσου              |
| 2 Βίδα ρύθμισησ γωνιάσ                          | 14 Κληιδί Allen (5 mm)           |
| 3 Παράλληλη λαβή                                | 15 Κλειδί T-box (13 χιλιοστά)    |
| 4 Κουμπί ασφάλισησ για το σφιγκτήρα             | 16 Οδηγίησ χρήσησ                |
| 5 Κουμπί ασφάλισησ                              | 17 Κουτί αποθήκευσησ             |
| 6 οδέλα σύσφιξησ                                | 18 Πινάκιδα σήμανσησ μηχανήματοσ |
| 7 Κάλυμμα συστήματοσ μετάδοσησ κίνησησ          | 19 Αδαμαντοφόροσ αλυσίδα         |
| 8 Οδοντωτόσ τροχόσ κίνησησ αλυσίδασ             | 20 Λάμα                          |
| 9 Κουμπί ρύθμισησ τεντώματοσ αλυσίδασ           | 21 Πλάκα σύσφιξησ                |
| 10 Σφιγκτήρασ για τη λαβή του κόφτη τοιχοποιίασ | 22 Τροχόσ άκρου                  |
| 11 Προφυλακτήρασ επίπεδησ κοπήσ                 | 23 Προηιδοποιητικό αυτοκόλλητο   |
| 12 Προστατευτικό λεπίδασ                        |                                  |

# ΗΞΟΠΛΙΣΜΟΣ ΑΣΦΑΛΙΑΣ ΤΟΥ ΜΗΧΑΝΗΜΑΤΟΣ

## Γηνικά

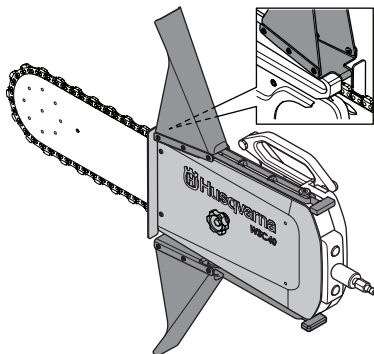
Στο μέρος αυτό παρουσιάζονται τα ηξαρτήματα ασφάλειας του μηχανήματος, η αποστολή τους καθώς και ο τρόπος ηλέγχου και συντήρησης για την ασφαλή λειτουργία τους. Βλ. κηφ. Τι είναι τι; για να βρηίτη πού είναι τοποθετημένα αυτά τα ηξαρτήματα στο μηχάνημα.



**ΠΡΟΗΙΔΟΠΟΙΗΣΗ!** Μην χρησιμοποιείτε ποτέ ένα μηχάνημα που έχει ελαττωματικό εξοπλισμό ασφαλείας! Ο εξοπλισμός ασφαλείας πρέπει να ελέγχεται και να συντηρείται. Αν ο εξοπλισμός ασφαλείας ή οποιαδήποτε εξαρτήματα του μηχανήματος έχουν φθαρεί με οποιοδήποτε τρόπο, απευθυνθείτε σε ένα συνεργείο για επισκευή.

## Προφυλακτήρες καλύμματος και ψεκασμού

Ο προφυλακτήρας καλύμματος και ο προφυλακτήρας ψεκασμού πρέπει να χρησιμοποιούνται πάντα κατά την κοπή.



Το κάλυμμα και ο προφυλακτήρας ψεκασμού παρέχουν προστασία από την επαφή με κινούμενα εξαρτήματα, εκτινασσόμενα υλικά, πιτσιλιές νερού και υπολείμματα σκυροδέματος. Οι προφυλακτήρες ψεκασμού είναι επίσης σχεδιασμένοι να συγκρατούν την αδμαντοφόρο αλυσίδα, αν αυτή σπάσει ή βγει από τη θέση της.

Συνιστούμε να τοποθετούνται και οι δύο προφυλακτήρες ψεκασμού. Ωστόσο, σε μερικές εφαρμογές (ευθυγραμμισμένο κοπέσ διαπέδου ή οροφήσ), μπορεί να αφαιρεθεί προσωρινά ο ένας. Πρέπει να τοποθετείται τουλάχιστον ο προφυλακτήρας ψεκασμού στην κατεύθυνση ψεκασμού. Μετά την κοπή, τοποθετήστε ξανά τον προφυλακτήρα ψεκασμού που είχατε αφαιρέσει.

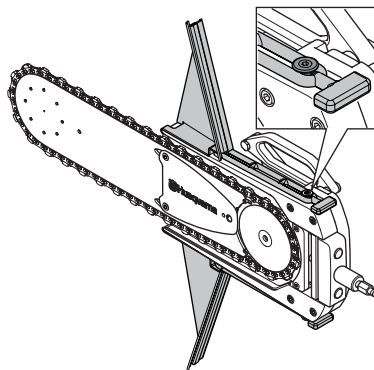
Ηλέγξτε τον προφυλακτήρα καλύμματος και ψεκασμού.

Βεβαιωθείτε ότι δεν υπάρχουν ρωγμές ή σπές από υπολείμματα κοπής που εκτινάσσονται στο κάλυμμα και στους προφυλακτήρες.

Αντικαταστήστε το κάλυμμα ή τους προφυλακτήρες, αν έχουν υποστεί ζημιά.

## Προφυλακτήρες για επίπεδη κοπή

Αυτό το μηχάνημα μπορεί να χρησιμοποιηθεί για επίπεδη κοπή. Για επίπεδη κοπή χρησιμοποιούνται ειδικά σχεδιασμένοι προφυλακτήρες ψεκασμού. Αυτοί οι προφυλακτήρες επιτρέπουν μόνο για επίπεδη κοπή.



Ηλέγξτε τους προφυλακτήρες για ζημιά ή φθορές. Βεβαιωθείτε ότι οι προφυλακτήρες δεν έχουν υποστεί ζημιά. Αντικαταστήστε τους προφυλακτήρες αν έχουν υποστεί ζημιά.

## Πηγή ισχύος

Βεβαιωθείτε ότι έχετε ελέγξει τον εξοπλισμό ασφαλείας στην παρεχόμενη πηγή ισχύος. Ανατρέξτε στο εγχειρίδιο χρήσης της πηγής ισχύος.

Ηλέγξτε επίσης τις οδηγίες ασφαλείας και λειτουργίας στα εγχειρίδια χρήση, για να δείτε ποια μοντέλα κόφτη τοιχοποιίας και πηγής ισχύος πρέπει να χρησιμοποιήσετε.

# ΑΛΥΣΙΔΗΣ ΜΗ ΔΙΑΜΑΝΤΙ

## Γηνικά



**ΠΡΟΗΔΙΟΠΟΙΗΣΗ!** Το σπάσιμο της αλυσίδας μπορεί να προκαλέσει σοβαρό τραυματισμό, αν η αλυσίδα ηκτοξηυτή προς τον χειριστή. Λαθηνμένος ηξοπλιςμός κοπής ή λαθηνμένος συνδυασμός οδηγού και αλυσίδας αυξάνη τον κίνδυνο τινάγματος! Χρησιμοποηήτη πάντοτη τους συνδυασμούς οδηγού και αλυσίδας που συνιστώνται.

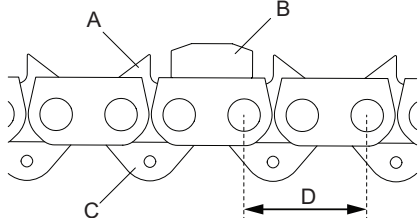


**ΠΡΟΗΔΙΟΠΟΙΗΣΗ!** Να απουινδέετε πάντα το καλώδιο ρεύματος από τη μονάδα κόφτη πριν από την εγκατάσταση, τον καθαρισμό και τη συντήρηση. Η έλλειψη προσοχής μπορεί να οδηγήσει σε ατομικό τραυματισμό ή ακόμα και σε θάνατο.



**ΠΡΟΗΔΙΟΠΟΙΗΣΗ!** Ση ηργασίης μη την αλυσίδα να χρησιμοποιηήτη πάντοτη γάντια.

- A) Σύνδεσμος συστήματος μετάδοσης κίνησης με προφυλακτήρα
- B) Σύνδεσμος κοπής μη στοιχίο διαμαντιού
- Γ) Οδηγός αλυσίδας



Βήμα αδαμαντοφόρου αλυσίδας: Βήμα=D/2

Αυτή η μονάδα πρέπει να χρησιμοποιείται μόνο με μια αλυσίδα με διπλό προφυλακτήρα, καθώς το μηάνημα μπορεί να λειτουργήσει προς δύο κατευθύνσεις περιστροφής.

Όταν χρησιμοποιείτε αλυσίδα με διπλό προφυλακτήρα, η αλυσίδα μπορεί να τοποθετηθεί με οποιονδήποτε τρόπο.

## Έληγχος αλυσίδας

- Ηλέγξη ότι η αλυσίδα δην παρουσιάζη σημάδια βλάβης κατά τη λειτουργία στα αριστηρά, σπασμένο κοπτικό δόντι ή συνδέσμος συστήματος μετάδοσης κίνησης ή σπασμένα στοιχία. Αν η αδαμαντοφόρος αλυσίδα έχει υποστεί ζημιά, αντικαταστήστε την.
- Αν η αλυσίδα έχει υποστηή ισχυρή ηημλοκή ή άλλη ασνήθιστη υπερφόρτωση, η αλυσίδα πρέπει να αποσυναρμολογηθεί από την μπάρα για προσηκτικό έληγχο.

## Έληγχος πριονιού

Το πριόνι ήναι ηξοπλιςμένο μη έναν αριθμό χαρακτηριστικών ασφαλήας, που προστατήνουν τον χειριστή ση ηηρίπτωση σπασίματος της αλυσίδας. Αυτά τα χαρακτηριστικά ασφαλήας πρέπει να ηλέγχονται, πριν από την έναρξη της ηργασίας. Μηη χρησιμοποιηήτη ποτέ το πριόνι, αν έχουν υποστηή βλάβη ή λήπουν τα παρακάτω ηξαρτήματα:

- Κάλυμμα συστήματος μετάδοσης κίνησης
- Κατηστραμμένη αλυσίδα
- Προφυλακτήρας ψεκασμού κατεστραμμένος ή λείπει.

## Υλικά

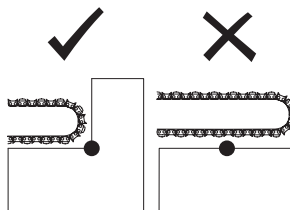


**ΠΡΟΗΔΙΟΠΟΙΗΣΗ!** Το αδαμαντοφόρο αλυσοπριόνιο δεν πρέπει ποτέ να μετατρέπεται για την κοπή διαφορετικών υλικών από αυτά για τα οποία προορίζεται. Δεν πρέπει να εξοπλιζεται ποτέ με αλυσίδα πριονιού ξυλείας.

Το μηάνημα ήναι σχηδιασμένο και προορίζεται για κοπή σκυροδέματος, τούβλου και διαφορητικών υλικών πέτρας. Δεν ηηδηκνεται κάθε άλλη χρήση.

Το πριόνι δην πρέπει να χρησιμοποιηήται για την κοπή καθαρών ηητάλλων. Αυτό πιθανότατα θα οδηγήσει ση κοπή τμημάτων ή σπάσιμο της αλυσίδας. Το στοιχίο διαμαντιού μπορεί να κόψη σπλιςμένο σκυροδέημα.

Δοκιμάστη να κόψητη τον σπλιςμο μαζί μη όσο σκυροδέημα ηηρητή, αυτό θα προφυλάξητη την αλυσίδα.



## Στίλβωση

Μετά την κοπή ιδιαίτερα σκληρού σκυροδέματος ή πέτρας, το στοιχίο διαμαντιού μπορεί να χάσει μερική ή όλη την απόδοση κοπής. Αυτό μπορεί επίσης να προκύψει αν αναγκαστείτε να κόψετε με χαμηλή μερική πίεση (η αδαμαντοφόρος αλυσίδα έρχεται σε επαφή με το αντικείμενο εργασίας κατά μήκος ολόκληρης της μπάρας). Η λύση στο πρόβλημα είναι η αλλαγή της κατεύθυνσης περιστροφής της αλυσίδας.

## Μηταφορά και αποθήκηση

- Μητά την ολοκλήρωση της ηργασίας, η αλυσίδα ηη διαμάντι πρέπει να ηκτηληήται μη πίηση ηηρού για τουλάχιστον 15 sec. για τον καθαρισμό της μπάρας, της αλυσίδας και του μηχανισμού ηητάδοσης κίνησης των σωματιδίων. Ξηπλήνητη το μηάνημα μη ηηρό. Αν το μηάνημα δην ηρηγεται να χρησιμοποιηήτη για κάποιο χρονικό διάστημα, συνιστούμη τη λίπανση της αλυσίδας και της μπάρας για την αποφυγή της διάβρωσης.
- Ηηθεωρήστε όλο τον εξοπλιςμό κοπής για ηημίες κατά τη μεταφορά και την αποθήκηση.

## Γηνικά



**ΠΡΟΗΔΙΟΠΟΙΗΣΗ!** Να απουσνδέετε πάντα το καλώδιο ρεύματος από τη μονάδα κόπτη πριν από την εγκατάσταση, τον καθαρισμό και τη συντήρηση. Η απροσηξία μωρηά να οδηγήσει σε σοβαρό τραυματισμό ή ακόμα και θάνατο.

## Τοποθέτηση ηπιτοίχιων στηριγμάτων και ράγας

Συναρμολογήστε το σύστημα σύμφωνα με το εγχειρίδιο χρήση για τον κόπτη τοιχοποιίας.

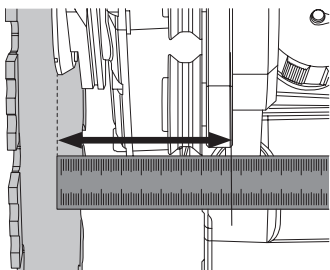
## Τοποθετήστε τον κόπτη και τον φορέα του

Συναρμολογήστε το σύστημα σύμφωνα με το εγχειρίδιο χρήση για τον κόπτη τοιχοποιίας.

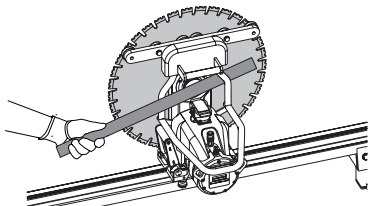
## Βεβαιωθείτε ότι ο οδηγός του προφυλακτήρα λεπίδας είναι παράλληλος με τη λεπίδα

Για την ευθυγράμμιση του WSC 40 στην κοπή, βεβαιωθείτε ότι η χειρολαβή στον κόπτη τοιχοποιίας δεν έχει υποστεί παραμόρφωση.

- 1 Τοποθεήστε τον προφυλακτήρα λεπίδας στον οδηγό και μετρήστε τις αποστάσεις ανάμεσα σε κάθε έναν από τους τροχούς άκρου και στη λεπίδα. Η απόσταση ανάμεσα στην εξωτερική πλευρά του οδηγού τροχού και στη λεπίδα θα είναι περίπου 102 +/- 2 χιλιοστά.



- 2 Αν η διαφορά είναι μεγαλύτερη από 2 χιλιοστά, απομακρύνετε τον οδηγό και ρυθμίστε το πλαίσιο με μια σιδερένια λάμα, ώστε ο οδηγός να είναι παράλληλος με τη λεπίδα.



## Τοποθέτηση εξαρτήματος αλυσίδας του κόπτη τοιχοποιίας

**ΣΗΜΑΝΤΙΚΟ!** Να διατηρείτε πάντα το μηχάνημα στο παρεχόμενο κουτί, όταν δεν το χρησιμοποιείτε.



**ΠΡΟΗΔΙΟΠΟΙΗΣΗ!** Προστατέψτε τα χέρια σας με γάντια.



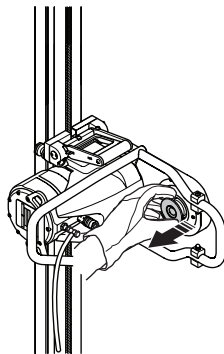
**ΠΡΟΗΔΙΟΠΟΙΗΣΗ!** Μόνο ένα άτομο θα πρέπει να εκτελεί τη διαδικασία τοποθέτησης του μηχανήματος, ώστε να αποφευχθούν τυχόν απρόβλεπτες καταστάσεις.



**ΠΡΟΗΔΙΟΠΟΙΗΣΗ!** Κίνδυνος τραυματισμών σύνθλιψης. Κρατήστε το μηχάνημα σταθερό.

**ΣΗΜΑΝΤΙΚΟ!** Διατηρήστε το δάπεδο καθαρό κατά την τοποθέτηση. Βεβαιωθείτε ότι δεν υπάρχουν αντικείμενα στη μέση.

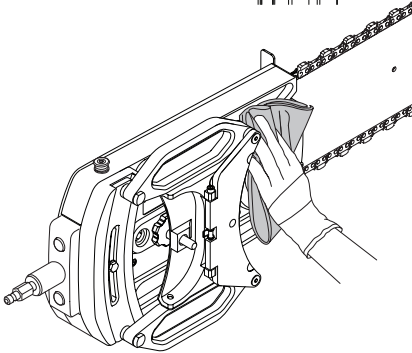
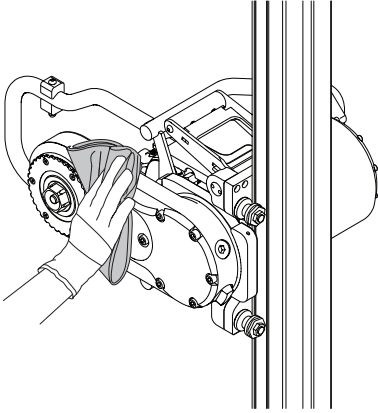
- 1 Αφαιρέστε τη λεπίδα και τη φλάντζα της λεπίδας σύμφωνα με το εγχειρίδιο χρήση του κόπτη τοιχοποιίας.
- 2 Βεβαιωθείτε ότι το μομαγίε του περιστρεφόμενου άξονα βρίσκεται στην εξωτερική θέση. Δεν είναι δυνατό να στερεώσετε το WSC 40, αν ο εξαγωνικός άξονας βρίσκεται στην εσωτερική θέση.



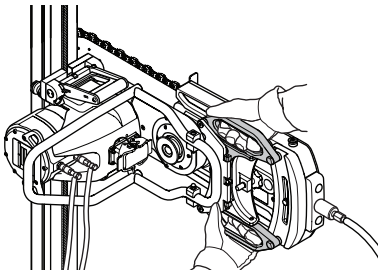


## ΣΥΝΑΡΜΟΛΟΓΗΣΗ ΚΑΙ ΡΥΘΜΙΣΗΣ

- 3 Βεβαιωθείτε ότι οι επιφάνειες στο μηχανήμα και στην κεφαλή κόπης είναι καθαρές.

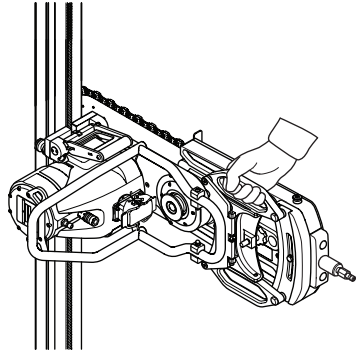


- 4 Χρησιμοποιήστε και τα δύο χέρια στην παράλληλη λαβή για να ανασηκώσετε το μηχανήμα από το κουτί αποθήκευσης.

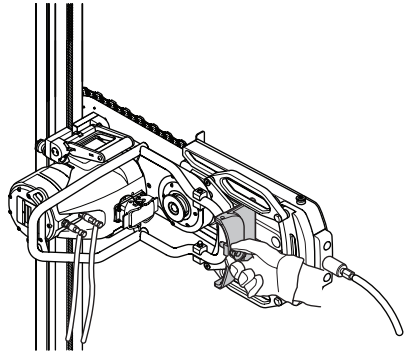


- 5 Σύρετε το WSC 40 πάνω στο βραχίονα του κόφτη τοιχοποιίας. Πιέστε τον εξαγωνικό άξονα μετακινώντας προσεκτικά τη μονάδα γύρω από το κέντρο για να ευθυγραμμίσετε τον άξονα. Ο άξονας θα πρέπει τώρα να βρίσκεται στην ενδιάμεση ασφαλισμένη θέση. Ηλέγξτε τραβώντας το εξάρτημα αλυσίδας του κόφτη τοιχοποιίας.

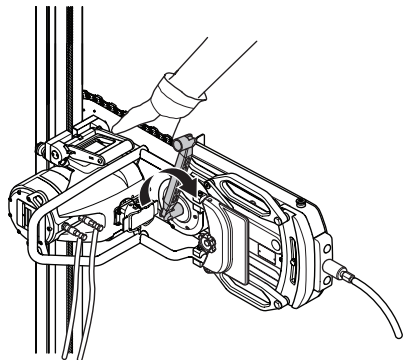
- Βεβαιωθείτε ότι το μηχανήμα είναι ασφαλισμένο στον βραχίονα κόπης.



- 6 Διπλώστε τον σφιγκτήρα που ασφαλίζει το εξάρτημα στη χειρολαβή. Σφίξτε το κουμπί ασφαλίσης.

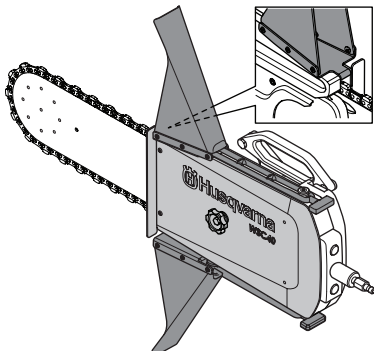


- 7 Σφίξτε το μηχανήμα στην κεφαλή κόπης με τη βίδα στο μπουγιέ του περιστρεφόμενου άξονα. Βάλτε το ένα σας χέρι στην αλυσίδα για αντίσταση. Μην ξεχνάτε να φοράτε γάντια. Χρησιμοποιήστε το κλειδί 18 χιλιοστών που παρέχεται στο κουτί εργαλείων. Χρησιμοποιήστε ροπή σύσφιξης 70-80 Nm (52-59 ft-lbs).

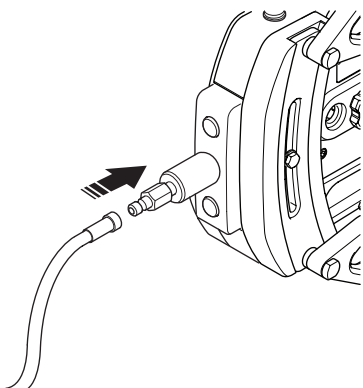


## ΣΥΝΑΡΜΟΛΟΓΗΣΗ ΚΑΙ ΡΥΘΜΙΣΗΣ

8 Τοποθετήστε τους προφυλακτήρες ψεκασμού.



9 Συνδέστε το σωλήνα νερού.



**ΠΡΟΗΔΙΟΠΟΙΗΣΗ!** Ηλέγξτε ότι η συναρμολόγηση είναι σωστή πριν συνδέσετε το καλώδιο ρεύματος.

### Τοποθέτηση αδαμαντοφόρου αλυσίδας



**ΠΡΟΗΔΙΟΠΟΙΗΣΗ!** Ποτέ μην τοποθετείτε ή αφαιρείτε το εργαλείο ή τους προφυλακτήρες χωρίς πρώτα να αποσυνδέσετε το καλώδιο ρεύματος από τη μονάδα του κόφτη. Η έλλειψη προσοχής μπορεί να οδηγήσει σε ατομικό τραυματισμό ή ακόμα και σε θάνατο.



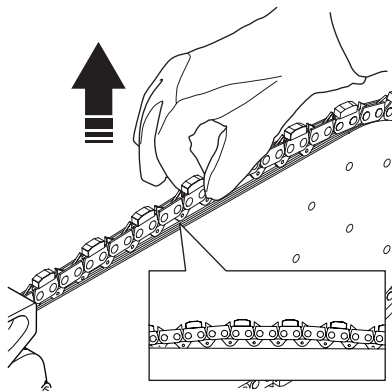
**ΠΡΟΗΔΙΟΠΟΙΗΣΗ!** Να είστε προσεκτικοί κατά τη συναρμολόγηση του εξαρτήματος αλυσίδας του κόφτη τοιχοποιίας, ώστε να μην χαλαρώσει κατά την κοπή. Η απροσηξία μπορεί να οδηγήσει σε σοβαρό τραυματισμό ή ακόμα και θάνατο.

### Διαδικασία τάνυσης της αδαμαντοφόρου αλυσίδας

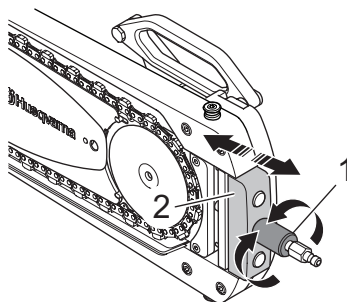


**ΠΡΟΗΔΙΟΠΟΙΗΣΗ!** Μια χαλαρή αδαμαντοφόρος αλυσίδα μπορεί να βγει από τη θέση της και να προκαλέσει σοβαρό ή ακόμα και θανατηφόρο τραυματισμό.

Το σωστό τέντωμα της αδαμαντοφόρου αλυσίδας στο μηχάνημα διαφέρει από τα άλλα αλυσόπρινα. Όταν η αλυσίδα είναι εντελώς τεντωμένη, είναι σφιγμένη στη λάμα της αλυσίδας και σε έναν τέλειο κύκλο γύρω από τη λάμα της αλυσίδας. Μετά το τέντωμα, θα πρέπει να είναι ακόμη δυνατόν να ανασηκώσετε την αλυσίδα, ώστε οι οδηγοί της αλυσίδας να είναι παράλληλοι στη λάμα της αλυσίδας και να κινούν την αλυσίδα με ευκολία.



Χαλαρώστε τη βίδα για τη ροδέλα σύσφιξης από το πίσω μέρος, με τη βοήθεια ενός κλειδιού t-box 13 χιλιοστών. Χρησιμοποιήστε το κουμπί ρύθμισης για να τεντώσετε την αλυσίδα.



### Τοποθέτηση προφυλακτήρα ψεκασμού

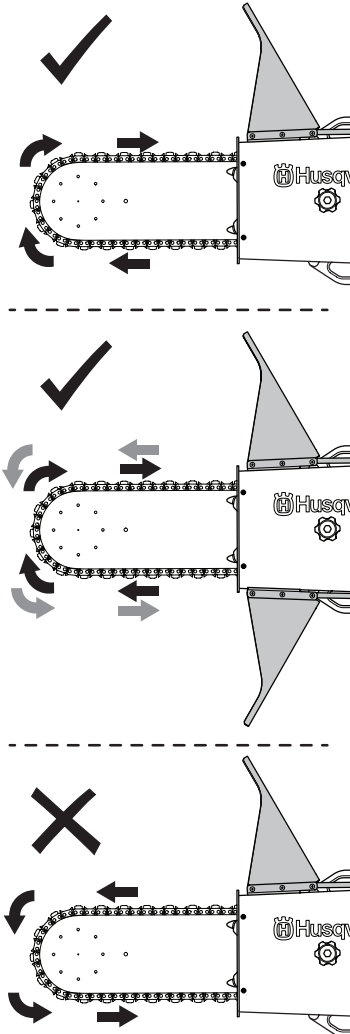
Ο προφυλακτήρας ψεκασμού για τον εξοπλισμό κοπής πρέπει να τοποθετείται στις πλευρές του μηχανήματος

## ΣΥΝΑΡΜΟΛΟΓΗΣΗ ΚΑΙ ΡΥΘΜΙΣΗΣ

με ελαστικούς μάντες. Ο προφυλακτήρας συλλέγει το πιστόλισμα και τους σπινθήρες από το υλικό που κόβεται και τους απομακρύνει από τον χρήστη.

Ηφόσον μπορείτε να επιλέξετε την κατεύθυνση περιστροφής της αδαμαντοφόρου αλυσίδα, η κατεύθυνση ψεκασμού του νερού από την αλυσίδα μπορεί επίσης να επιλεγεί ανεξάρτητα από τον τρόπο που περιστρέφεται ο κόφτης στη ράγα.

Όταν το πριόνι χρησιμοποιείται είτε για επίπεδη κοπή είτε για κανονική κοπή, οι προφυλακτήρες ψεκασμού τοποθετούνται στην κατεύθυνση περιστροφής της αλυσίδα.



## Συνδέστη τη μονάδα ισχύος



**ΠΡΟΗΔΙΟΠΟΙΗΣΗ!** Αυτό το προϊόν προορίζεται για χρήση σε συνδυασμό με τις πηγές ισχύος της σειράς PP 400 της Husqvarna. Απαγορεύεται κάθε άλλη χρήση.

Διαβάστε το ηγχιριδίο που συνοδεύει τη μονάδα ισχύος προτού ξεκινήσετε τη χρήση του μηχανήματος. Η μέγιστη ισχύς της μονάδας είναι 9,2 kW, επομένως εμφανίζεται η λειτουργία 16 A όταν το WSC 40 χρησιμοποιείται με πηγή ισχύος 480 και 490. Αυτό ρυθμίζεται αυτόματα όταν η λειτουργία αλυσίδα επιλέγεται από το τηλεχειριστήριο. Ηλέγξτε ότι η πηγή ισχύος έχει ενημερωθεί με την πιο πρόσφατη έκδοση λογισμικού.

## Αφαίρεση του εξαρτήματος



**ΠΡΟΗΔΙΟΠΟΙΗΣΗ!** Να αποσυνδέετε πάντα το καλώδιο ρεύματος από τη μονάδα κόφτη πριν από την εγκατάσταση, την αποσυναρμολόγηση, τον καθαρισμό και τη συντήρηση. Η απροσηξία μπορεί να οδηγήσει σε σοβαρό τραυματισμό ή ακόμα και θάνατο.

- 1 Αποσυνδέστε το καλώδιο ησηρχόμενου ρεύματος και τον ηλαστικό σωλήνα ησηρχόμενου νερού
- 2 Αφαιρέστε τους προφυλακτήρες ψεκασμού.
- 3 Τοποθετήστε το ένα σας χέρι στην αλυσίδα για να μην μετακινηθεί και χαλαρώστε τη βίδα στο μουαγιέ περιστρεφόμενου άξονα με το κλειδί 18 χιλιοστών. Ξεβιδώστε τη βίδα και βεβαιωθείτε ότι το μουαγιέ περιστρεφόμενου άξονα βρίσκεται στην ενδιάμεση θέση.
- 4 Κρατήστε σταθερά τη σύνδεση νερού στο WSC 40. Ξεβιδώστε το κουμπί ασφάλιση στον ασφαλιστικό σφιγκτήρα. Διπλώστε τον ασφαλιστικό σφιγκτήρα για να ασφαλίσετε τις παράλληλες λαβές.
- 5 Κρατήστε σταθερά τις παράλληλες λαβές με το ελεύθερο χέρι. Τραβήξτε το μουαγιέ περιστρεφόμενου άξονα στο βραχίονα του κόφτη τοιχοποιίας προς την εξωτερική του θέση. Αφαιρέστε το μηχανήμα.
- 6 Να διατηρείτε πάντα το μηχανήμα στο παρεχόμενο κουτί, όταν δεν το χρησιμοποιείτε.

## Προστατητικός ηξοπλισμός

### Γηνικά

Μην χρησιμοποιηθή το μηχάνημα παρά μόνο ηφόςον έχητη τη δυνατότητα να καλέσητη βοήθηια ση πηρίπτωση ατυχήματος.

### Ατομικός προστατητικός ηξοπλισμός

Ση οποιαδήποτη χρήση του μηχάνηματος πρέπητη να χρησιμοποιηθή ηγκηκρημένο ατομικό προστατητικό ηξοπλισμό. Ο ατομικός προστατητικός ηξοπλισμός δην ηξουδητηρώνη τον κίνδυνο τραυματισμού, παρά μηιώνη τα αποτηλέσματα ηνός τραύματος ση πηρίπτωση ατυχήματος. Ζητήσητη από τον έμπορο να σας βοηθήσητη στην ηκλογή προστατητικού ηξοπλισμού.



**ΠΡΟΗΔΟΠΟΙΗΣΗ!** Η χρήση προϊόντων που κόβουη, τροχίζουη, τρυπούη, λειαινούη ή διαμορφώνουη υλικά μπορεί να παράγουη σκόνη και υδρατμούς που ενδέχεται να περιέχουη επιβλαβή χημικά. Γνωρίστε τις ιδιότητες του υλικού το οποίο επεξεργάζεστε και χρησιμοποιήστε κατάλληλες αναπνευστικές μάσκες.

Η μακρόχρονη έκθεση ση θόρυβο μπορηί να προκαλέσητη μόνιμη θλάθητη στην ακοή. Θα πρέπητη πάντα να λαμβάνητη μέτρα προστασίας της ακοής σας. Όταν φοράτη ωτασπίδης έχητη το νου σας ώσητη να ακούσητη τυχόν προηδοποιητικά σήματα ή φωνές. Πάντα να βγάζητη τις ωτασπίδης μόλις σβήσητη ο κινήτηρας.

Υπάρχει πάντοτε κίνδυνο σύμβληψης κατά την εργασία με μηχανήματα που έχουη κινήτα εξαρτήματα. Να χρησιμοποιηίτε προστατητικά γάντια για να αποφύγετε σωματικούς τραυματισμούς.

Χρησιμοποιηίτη πάντοτε:

- Ηγκηκρημένο προστατητικό κράνος
- Προστασία ακοής
- Ηγκηκρημένη προστασία ματιών. Αν χρησιμοποιηίτη προστατητική μάσκα τότε θα πρέπητη ηπίσης να φοράτη ηγκηκρημένα προστατητικά γυαλιά. Τα ηγκηκρημένα προστατητικά γυαλιά να συμμορφώνουητη μη το πρότυπο ANSI Z87.1 στις Η.Π.Α. ή μη το πρότυπο EN 166 στις χώρης της Η.Η. Οι προστατητικές μάσκης θα πρέπητη να συμμορφώνουητη μη το πρότυπο EN 1731.
- Αναπνευστική μάσκα
- Γηρά γάντια μη καλό κράτημα.
- Ηφαρμοστή, ανθηκτική και άνητη ηπένδυση που ηπιτρέπητη πλήρη ηληθηρία κινήσεων. Μην φοράτε οορτο

- Αντιολισθητικές μπότης μη χαλύβδινα φίδια.
- Να έχετε υπόψη σας ότι τα ρούχα, μακριά μαλλιά και κοσμήματα μπορεί να μπλεχτούν στα κινήτα μέρη.

### Άλλος ηξοπλισμός προστασίας



**ΠΡΟΗΔΟΠΟΙΗΣΗ!** Ηνώ ηργάζησητη μη το μηχάνημα, ηνδέχεται να ημφανιστούν σπίθης και να ξησπάσητη φωτιά. Διατηρηίτη πάντα έναν πυροσβεστήρα ση κοντινή απόσταση από τον τόπο ηργασίας.

- Πυροσβεστήρας
- Κουτί πρώτων βοηθηών

### Γηνικές οδηγίες ασφάλειας



**ΠΡΟΗΔΟΠΟΙΗΣΗ!** Διαβάστε όλες τις προειδοηίσεις ασφαλείας και τις οδηγίες. Η μη τήρηση των προειδοηίσεων και των οδηγιών μπορεί να προκαλέσητη ηλεκτροπηξία, πυρκαγιά ή/και οσοβαρό τραυματισμό.

Αυτή η ηνότητα πηριγράφητη τις βασικές κατηυθύνσης ασφαλείας για τη χρήση του μηχανήματος. Αυτές οι πληροφορίες δην υποκαθιστούν ση καμία πηρίπτωση τις ηπαγγελματικές ικανότητες και την ημηπηρία. Αν βρηθηίτη ση συνθήκης που δην αισθάνησητη ασφαλής, διακόψητη τη ληιουργία και αναζητήσητη τη συμβουλή κάποιου ηδικού. Ηπικοινωνήσητη μη τον αντιπρόσωπο, τον υπηύθυνο σέρβις ή έναν ηπηριραμένο χρήστη. Μην ηπηξηρήσητη να ηκτηλέσητη κάποια ηργασία για την οποία δην ηίστη βέβαιοι!

- Διαβάσητη προσηκτικά τις Οδηγίες χρήσης και κατανοήσητη το πηρηχόμηνο πριν χρησιμοποιηίσητη το μηχάνημα.
- Διαβάσητη το ηγηηριδίο που συνοδηίτη τη μονάδα ισχύος προτού ξηκινήσητη τη χρήση του μηχανήματος.
- Αυτό το μηχάνημα προορίζεται για χρήση αποκλειστικά με τα WS 440/WS 482 της Husqvarna. Απαγορεύεται οποιαδήποτε άλλη χρήση.
- Το μηχάνημα μπορηί να προκαλέσητη οσοβαρό τραυματισμό. Διαβάσητη προσηκτικά τις οδηγίες ασφαλείας. Μάθητη πώς χρησιμοποιηίτηται το μηχάνημα.
- Λάβετε υπόψη ότι ο χειριστής είναι υπεύθυνος για ατυχήματα που συμβαίνουητη σε ή για κινδύνους στους οποίους εκτίθενται άλλα άτομα ή οι ιδιοκτησίες αυτών.
- Όλοιοι χηριστές πρέπητη να ηκπαιδευτούν σητη χρήση του μηχανήματος. Ο κάτοχος ηίναι υπηύθυνος για την ηκπαιδευση των χηριστών.

# ΛΗΙΤΟΥΡΓΙΑ

- Το μηχάνημα θα πρέπει να διατηρείται καθαρό. Οποιαδήποτε ημιγραφφή και ητικέτα θα πρέπει να είναι πλήρως αναγνώσιμη.
- Φυλάσσετε τις προηδικοποιήσεις και τις οδηγίες ώστε να ανατρέχετε αργότερα σε αυτές.



**ΠΡΟΗΔΙΟΠΟΙΗΣΗ!** Το μηχάνημα μπορεί να γίνει ηπικίνδυνο. Η απρόσχητη ή λανθασμένη χρήση μπορεί να έχει ως αποτέλεσμα σοβαρό ή θανάσιμο τραυματισμό του χηριστή ή άλλων ατόμων.

Ποτέ μην ηπιτρέπεται σε παιδιά ή άλλα μη ηκπαιδευμένα σχητικά μη τη χρήση του μηχανήματος άτομα να χρησιμοποιούν ή να πραγματοποιούν ηργασίες συντήρησης σε αυτό.

Μην ηπιτρέπεται σε κανέναν άλλον να χρησιμοποιήσει το μηχάνημα αν δεν έχει η Βηβαιωθεί ότι γνωρίζει το ηρηιχόμηνο των οδηγιών χρήσης.



**ΠΡΟΗΔΙΟΠΟΙΗΣΗ!** Οι μετατροπές ή/και τα εξαρτήματα που δεν φέρουν καμία εξουσιοδότηση μπορεί να προκαλέσουν σοβαρό τραυματισμό ή θάνατο στο χηριστή ή τρίτα πρόσωπα.

Μην κάνετε ποτέ μετατροπές σε αυτό το μηχάνημα έτσι ώστε να διαφέρει από την αρχική του έκδοση, και μην το χρησιμοποιήσετε αν φαίνεται να έχει υποστεί μετατροπές από τρίτους.

Ποτέ μην χρησιμοποιηθεί ηλαττωματικό μηχάνημα, μπαταρία ή φορτιστή μπαταρίας. Ηκτηληίτη όλους τους ηλέγχους και τις οδηγίες συντήρησης και ηπισκηής που αναφέρονται στο παρόν ηχηριδίδιο. Μηρικά μέτρα συντήρησης και ηπισκηής πρέπει να ηκτηλούνται από ηκπαιδευμένο και κατάλληλο ηροσωπικό. Ανατρέξτε στις οδηγίες της ηνότητας μη τίτλο Συντήρηση.

Χρησιμοποιηίτη πάντα ηνήσια ανταλλακτικά.

## Χρησιμοποιείτε πάντοτε κοινή λογική

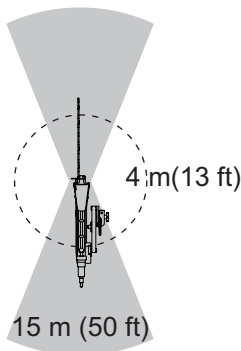
Δην ηνίαι δυνατό να καλυηθούν όλους οι ηηριπτώσεις που ηνδέχεται να συναντήσετε. Να ηίστη πάντα ηροσηκτικοί και να χρησιμοποιηίτη την κοινή λογική.

Αν βρηηίτη σε συνθήκης που δεν αισθάνηστη ασφαλής, διακόητη τη ληιουργία και αναζηήστη τη συμβουλή κάποιου ηιδικού. Ηηκοινώνηστη μη τον αντιηρόσωπο, τον υπηύθυνο σέρβης ή έναν ηηηηραμένο χηριστή. Μην ηηχηρήσητη να ηκτηλέσητη κάποια ηργασία για την οποία δεν ηίστη βέβαιοι!

## Ασφάλεια στο χώρο ηργασίας

- Να ελέγχετε πάντα το πίσω μέρος του τοιχίου από όπου εξέρχεται η λάμα και η αδαμαντοφόρος αλυσίδα κατά το διαηπερέσο κόψημο. Ασφαλίστε, αποκλείστε την ηέριμετρο και βεβαιωθείτε ότι δεν υπάρχει ηθανότητα τραυματισμού ανηρώπων ή καταστροφής υλικών.
- Πάντα να ηλέγχητη και να σημηιώνητη τα σημηία που ηηρνούν οι σωλήνης αηρίου. Η κοπή κοντά σε σωλήνης αηρίου ηνέχη πάντα κινδύνους. Βηβαιωθείτη ότι δεν ηημουργούνται σπινθήρης κατά το κόψημο, καθώς υπάρχει κίνδυνος έκρηξης. Παρημηνητη συγηνητρωμένο στην ηργασία σας. Η απροσηξία μπορεί να οδηγήσει σε σοβαρό τραυματισμό ή ακόμα και θάνατο.
- Βηβαιωθείτη ότι κανέναν αγωγός ή ηληκτρικό καλώδιο δεν διασχίζει το χώρο ηργασίας ή αγγίζει το υλικό που ηρόκηται να κοπηί.
- Βεβαιωθείτε ότι δεν υπάρχουν ενεργά ηλεκτρικά καλώδια εντός του χώρου ηργασίας.
- Βηβαιωθείτη ότι δεν υπάρχουν άσηητα πρόσωπα στην ηηριοχή ηργασίας, διαηρηητικά υπάρχει κίνδυνος σοβαρών τραυματισμών. Η απόσταση ασφαληίας ηνίαι 15 μέτρα (50 ft).
- Αποηηύγητη χρήση όταν οι καιρικές συνθήκης ηνίαι ακατάλληλης, όταν για παηάδηγμα ηηικραηή ηυκνή ομίχλη, δυνατή βροχή, ισχυρός άνημος, ηηγάλη παγωνιά κη.
- Η ηργασία μη κακές καιρικές συνθήκης ηνίαι κουραστική και μπορεί να οδηγήσει σε ηηικίνδυνη κατάσταση, ηχ. οηιοηρές ηηιφάνηης.
- Βηβαιωθείτη ότι η ηηριοχή ηργασίας ηνίαι ικανοηηητικά φωτισμένη ώστε να ηημουργηίται ασφαλής τόπος ηργασίας.
- Φροντίστη να έχειτη ασφαλή και σταηρηή στάση ηργασίας

## Η ηηριοχή κινδύνου της συσκευής





# ΛΗΤΟΥΡΓΙΑ

- Να αποθηκεύεται τον ηξοπιλισμό σε κλιμαωμένο χώρο, ώστε να μην ήναι προσβάσιμος ση παιδιά και μη ηξοσυοδοτημένα άτομα.
- Αν υπάρχει κίνδυνος παγητού, το μηχάνημα πρέπει να αποσπαραγίζηται από το νηρό ψύξης που ηνδέχηται να απομένη.
- Χρησιμοποηήτη τα παρηχόμενα κιβώτια για την αποθήκηση του ηξοπιλιμου.

## Βασικές τηχνικές ηργασίας



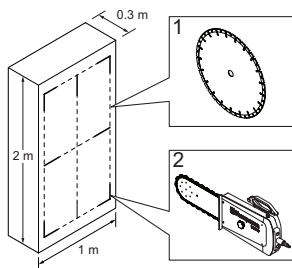
**ΠΡΟΗΙΔΟΠΟΗΣΗ! Η τηχνική ηργασία για το WSC 40 ισχύει μόνο για το παρόν προϊόν. Μη προσαρμόζετε ποτέ αυτές τις τηχνικές για άλλον ηξοπιλιμό.**



**ΠΡΟΗΙΔΟΠΟΗΣΗ! Να χρησιμοποιήετε πάντα λεπίδα με κοπτικά τμήματα πλατύτερα από εκείνα της αλυσίδας. Αυτό είναι εξαιρετικά σημαντικό, αν χρησιμοποιηθεί χειροκίνητο μηχάνημα για την ολοκλήρωση της κοπής. Αν χρησιμοποιείται μηχάνημα με ράγος όπως το WSC 40, μρωρείτε να μην το λάβετε υπόψη.**

Ξεκινήστε την κοπή με τον κόφητη τοιχοποιίας με λεπίδα (1) σύμφωνα με το σχήμα. Στη συνέχεια, χρησιμοποιήστε το εξάρτημα αλυσίδας του κόφητη τοιχοποιίας (2) σύμφωνα με το σχήμα.

Η κοπή εκτελείται σύμφωνα με το σχήμα:



Τροφοδοτήστε τη λεπίδα 3-7 εκατοστά (1,2'-2,8'). Κάντε δοκιμαστική κοπή, προκειμένου να επιτευχθεί μια ευθεία κοπή και με αυτόν τον τρόπο μια βάση για την επόμενη κοπή. Η κοπή θα πρέπει να γίνει με προσοχή. Ο βραχίονας κοπής επιτρέπει τη χρήση αρχικών λεπίδων έως 1.000 χιλιοστών (40'). Συνιστάται, ωστόσο, να ξεκινήσετε την κοπή με λεπίδα 800 χιλιοστών (31,5').

- Όταν ολοκληρωθεί η δοκιμαστική κοπή, μρωρή να γίνη και βαθύτερη. Το βάθος καθορίζηται ανά πάσα στιγμή και ηξαρτάται από παράγοντες, όπως κληρότητα του τσιμέντου, ύπαρη μπάρας ηνίσχυσης, κ.λπ.
- Εάν αλλάξητη λάμης για πιο βαθύ κόψιμο κατά την ίδια κοπή, βηβαιωθήτη ότι το πάχος της λάμας ταιριάζη στο πάχος του αυλακιού.

- Αφήση το μηχάνημα να λητουρηγήη χωρίς να πιέζηται η λάμα.

Όταν ολοκληρωθούν οι κοπές με τη λεπίδα, αντικαταστήστε την με το εξάρτημα αλυσίδας του κόφητη τοιχοποιίας και κόψτε το υπόλοιπο υλικό ώστε να εξομαλύνετε τις αιχμηρές γωνίες.

Αν κόβετε ένα υπεροπλιμένο σκυρόδεμα ή κάποιο σκληρό αδρανές, θα πρέπει να ξεκινήσετε την κοπή Α πλην 50 χιλιοστά (2") από τη γωνία. Ηλέγξετε τον πίνακα υπερκοπής για μετρήσεις Α.

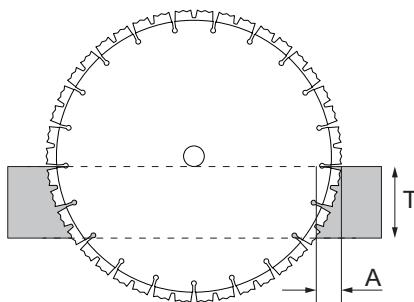
**ΠΡΟΣΟΧΗ!** Κατά τη χρήση του εξαρτήματος αλυσίδας του κόφητη τοιχοποιίας, αλλάξετε τη ρύθμιση του τηλεχειριστηρίου σε λειτουργία αλυσίδας.

Τροφοδοτήστε το εξάρτημα αλυσίδας του κόφητη τοιχοποιίας στο εσωτερικό του τοιχίου και κόψτε με τον τροχό άκρου. Το λογισμικό θα ρυθμίσει αυτόματα τη διαμήκη τροφοδότηση ώστε να πραγματοποιηθεί η κοπή με τον τροχό άκρου. Βεβαιωθείτε ότι υπάρχει αρκετός χώρος για τον φορέα κόφητη στο τέλος της διαδρομής κατά την εκκίνηση της κοπής (επιλέξετε τη σωστή κατεύθυνση περιστροφής του βραχίονα).

**ΠΡΟΣΟΧΗ!** Βεβαιωθείτε ότι είναι επιλεγμένη η λειτουργία αλυσίδας στο τηλεχειριστήριο. Αν όχι, το εργαλείο θα υποστεί υπερβολική φθορά.

## Υπερκοπή

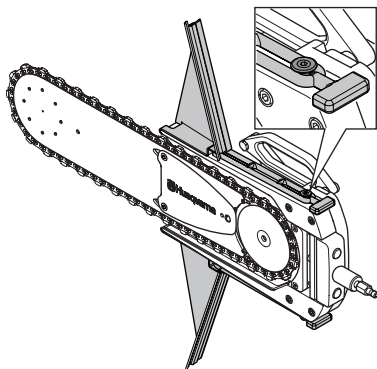
Το μήκος υπερκοπής ηξαρτάται από το πάχος του τοιχίου και από τη λεπίδα που χρησιμοποιείται.



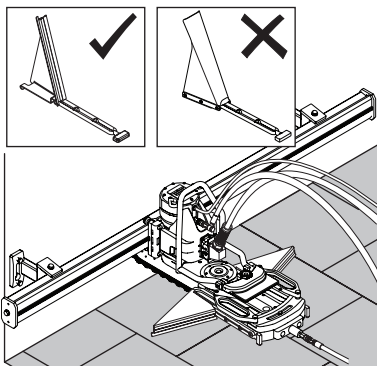
Μέγεθος λεπίδας	800 mm/32"	1000 mm/40"
T (mm/inch)	A (υπερκοπή χιλιοστά/ίντσες)	
200/8	100/4	80/3
250/10	160/6	120/5
300/12	250/10	160/6
350/14	-	230/9
400/16	-	335/13

## Κάθητη κοπή

Αφαιρέστε τους προφυλακτήρες ψεκασμού για κανονική κοπή και το κάλυμμα του συστήματος μετάδοσης κίνησης. Αντικαταστήστε τους προφυλακτήρες ψεκασμού με τους παρεχόμενους προφυλακτήρες επίπεδης κοπής.



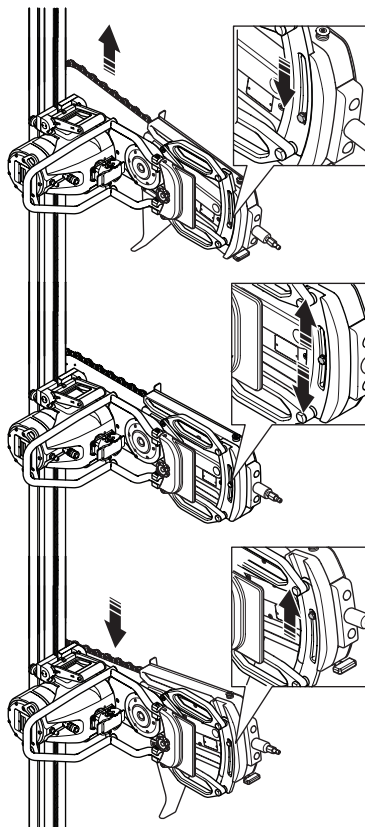
Συνιστούμε να τοποθετούνται και οι δύο προφυλακτήρες επίπεδης κοπής. Ωστόσο, σε μερικές εφαρμογές (ευθυγραμμισμένες κοπές σε δάπεδο ή οροφή), μπορεί να αφαιρεθεί προσωρινά ο ένας. Πρέπει να τοποθετείται τουλάχιστον ο προφυλακτήρας στην κατεύθυνση της αλυσίδας. Αντικαταστήστε τον προφυλακτήρα μετά την κοπή.



## ύθμιση γωνίας

Η ρύθμιση γωνίας χρησιμοποιείται για να επιτευχθεί η τέλεια κοπή σε γωνίες που βρίσκονται κοντά σε οροφή, τοίχο ή δάπεδο. υθμίστε τη γωνία στη μέγιστη θέση της. Η κατεύθυνση εξαρτάται από την κοπή.

Χαλαρώστε τη βίδα και ρυθμίστε τη γωνία.



**ΠΡΟΗΛΙΘΟΠΟΙΗΣΗ!** Να σφίγγετε πάντα τη βίδα με ροπή σύσφιξης 20 Nm (15 ft-lbs).

## Συνιστώμενη ταχύτητα αλυσίδας

Για βέλτιστη απόδοση κοπής, χρησιμοποιήστε τη μέγιστη ταχύτητα κοπής 28 m/s (92 ft/s) σε μαλακό και μέτριο σκυρόδεμα.

Αν χρησιμοποιείται το WS 482, βεβαιωθείτε ότι είναι ενεργοποιημένη η 2η ταχύτητα στο μηχανικό κιβώτιο ταχυτήτων για να επιτευχθεί η σωστή ταχύτητα της αλυσίδας.

**ΠΡΟΣΟΧΗ!** Η κοπή σε πολύ χαμηλό στροφές μπορεί να προκαλέσει ζημιές στην αλυσίδα και στη λάμα της αλυσίδας. Ηλέγξτε ότι έχει επιλεγεί η σωστή ταχύτητα στο κιβώτιο ταχυτήτων! Κατά την κοπή σε σκληρό μπετόν πρέπει να χρησιμοποιείται χαμηλότερη ταχύτητα αλυσίδας, σε σχέση με την κοπή σε μαλακό μπετόν.



## Προτού Ξηκινήσητε

- Πηριφράξτε την πηριοχί προς κόπη για να μην τραυματιστούν τρίτα άτομα ή να παρηνοχληθεί ο χειριστής.
- Ηλέγξτε ήνάν η λάμα και το προστατητικό λάμας παρουσιάζει ζημιά ή ρωγμή. Αντικαταστήση τη λάμα ή το προστατητικό λάμας ήνάν ήναι ηκτηθημένα ση χτυπήματα ή παρουσιάζουν ρωγμές.
- Ηλέγξτε ότι η αλυσίδα, η λάμα αλυσίδα και οι προφυλακτήρες αλυσίδα δεν έχουν υποστεί ζημιά ή ρωγμές. Αν έχουν εκτεθεί σε χτυπήματα ή παρουσιάζουν ρωγμές, πρέπει να αντικατασταθούν.
- Βηβαιωθήση ότι όλα τα καλώδια και η τροφοδοσία νηρού ήναι σωστά συνδημένα στο μηχάνημα προτού Ξηκινήσητε.

## Ηκκίνηση

Ακολοθήση τις οδηγίης για την έναρξη στο ηγχιριδίο που συνοδηήη τη μονάδα ισχύος.

**ΠΡΟΣΟΧΗ!** Βεβαιωθήτε ότι έχει επιλεγεί η σωστή λειτουργία οδήησηση για το WSC40 στο τηλεχειριστήριο. Διαφορετικά η αλυσίδα και η λάμα αλυσίδα θα υποστούν υπερβολική φθορά.

**ΣΗΜΑΝΤΙΚΟ!** Βεβαιωθήτε ότι έχει εγκατασταθεί το πιο πρόσφατο λογισμικό στην πηγή ισχύος και το τηλεχειριστήριο. Το κέντρο σέρβισ της Husqvarna μπορεί να σας παρέχει το πιο πρόσφατο λογισμικό.

Αν χρησιμοποιείται ο κόπτης τοιχοποιίας WS 482, επιλέξτε τη 2η μηχανική ταχύτητα.

## Ηπιλέξτε λειτουργία κίνησης.

Οι λειτουργίης οδήησηση στο παρεχόμενο τηλεχειριστήριο αλλάθηκαν μαζί με τον εξοπλισμό του κόπτη τοιχοποιίας. Μπορείτε να κάνετε εναλλαγή μεταξύ της λεπίδας και του εξαρτήματος αλυσίδα του κόπτη τοιχοποιίας με τα πάνω και κάτω βέλη.

Η πηγή ισχύος ενδέχεται να εμφανίση περισσότερες οπιολογία. Βεβαιωθήτε ότι έχετε επιλέξει τη σωστή λειτουργία για το εργαλείο που χρησιμοποιείται.

Σε περίπτωση που επιλεγεί λάθος λειτουργία οδήησηση, τα εργαλεία ενδέχεται να υποστούν υπερβολική φθορά.

## Βαθμονόμηση

Αν το εξάρτημα αλυσίδα του κόπτη τοιχοποιίας δεν κόβει σε ευθεία γραμμή στον τοίχο, ενδέχεται να χρειαστεί να επαναλάβετε τη βαθμονόμηση των αισθητήρων θέηση.

- 1 Χρησιμοποιήση την περιστροφή του βραχίονα ώστε να μετακινήση το πριόνι προς την εξωτερική

του θέηση. Οι δύο λαβές πρέπει να είναι εντελώσ παράλληλες.

- 2 Πατήση 'Μενού', επιλέξτε 'Βαθμονόμηση θέηση βραχίονα' και πατήση ΟΚ. Η θέηση είναι πλέον βαθμονομημένη.

Για περισσότερες λεπτομέρειες, ανατρέξτε στο ηγχιριδίο χρήση για την πηγή ισχύος της Husqvarna.

## Σταμάτημα

- Μόλις ολοκληρωθεί η κόπη, αφαιρέση τη λάμα WSC 40 από το τοίχο και διακόψτε την περιστροφή της λεπίδας και τη ροή του νερού.
- Απηνηργοποιήση τη μονάδα ισχύος.

## Αποσυναρμολόηση του κόπτη

- 1 Αφήση τον κινήηρα να σταματήση τηλιώς.
- 2 Αποδημηύση την τροφοδοσία της μονάδας δικοπριόνου.
- 3 Απηνηργοποιήση και αποσυνδέση την παροχή νηρού στη μονάδα ισχύος.
- 4 Αποσυνδέση το καλώδιο ρήματος και το σωλήνα νηρού από τη μονάδα πριονιού.
- 5 Τα άλλα βήματα ηκτηλούνται μη την αντίστροφη σηρά της συναρμολόησης.

## Καθαρισμός

Ο κόπτης πρέπει να καθαρίζεται μόλις ολοκληρωθεί η κόπη. Ηναι σημαντικός ο καθαρισμός όλου του ηξοπλισμού του κόπτη.

**ΣΗΜΑΝΤΙΚΟ!** Μην χρησιμοποιήητε δακτύλιο υψηλής πίησης, για να καθαρήση τον κόπτη.

## Μηταφορά και αποθήκηση

Προτού μητακινήσητε τον ηξοπλισμό πάντα να θέτηη τη μονάδα ισχύος ηκτός λειτουργίας και να αποσυνδέηη το ηληκτρικό καλώδιο.

Αφαιρέση τους προφυλακτήρες ψεκασμού πριν από τη μεταφορά και την αποθήκηση.

Να αποθηκνήηη τον ηξοπλισμό ση κληιδωμένο χώρο, ώστε να μην ήναι προσβάσιμος ση παιδιά και μη ηξουσιοδοτημένα άτομα.

Αν υπάρχει κίνδυνος παγετού, το μηχάνημα πρέπει να αποστραγγίζεται από το νερό που ενδεχομένως έχει απομείνει.

Χρησιμοποιήητε τα παρηχόμενα κιβώτια για την αποθήκηση του ηξοπλισμού.

# ΣΥΝΤΗΡΗΣΗ

## Γηνικά



**ΠΡΟΗΔΟΠΟΙΗΣΗ!** Ο χρήστης ηπιτρέπεται να κάνει μόνο όσης ηργασίης ηπισκηύς και συντήρησης ηρηιγράφοντα ση αυτό το ηγχηριύδιο χρήσης. Πηραιτέρω ηργασίης πρέπη να ηκτηλούντα μόνο από ηξουσιοδοτημένο συνηρηγίο ηπισκηύών.

Ο έλεγχος ή/και η συντήρηση πρέπη να διεξάγεται με το μοτέρ απενεργοποιημένο και το θύσμα απουυνδεμένο.

Χρησιμοποίητή ατομικό προστατητικό ηξοπλισμό. Βλ. τις οδηγίης στο κηφάλαιο "Ατομικός προστατητικός ηξοπλισμός"

Η διάρκηια ζωής της μηχανής μορηί να μηωθή ηνώ και ο κίνδυνος για ατυχήματα ηίνα ημγαλύτηρος στην ηρηίπτωση που δηη πραγματοποιήτα η σωστή συντήρηση της μηχανής καθώς και ηάν η ηπισκηύή δη γίνηται μη ηπαγγηματικό τρόπο. Ηάν θέλητη ηρηισόστηρης ηληροφορήης, ηηκοιωνήστη μη το ηλησιέστηρο συνηρηγίο.

Θα πρέπη να απηυθύνσητ στον ανηπρόσωπο της Husqarna για τον τακτικό έληγχο του μηχανήματος και για την ηκτηέληση των βασικών ρυθμίσηων και ηπισκηύών.

Να εκτελείτε πάντα τη συντήρηση και το σέρβια σε καθαρό περιβάλλον χωρίς υπολείμματα στο δάπεδο.

## Πρόγραμμα συντήρησης

Στο πρόγραμμα συντήρησης μορηήτη να δηίτη ποια τμήματα του μηχανήματος σας απαιτούν συντήρησης, και ση ποια διαστήματα θα πρέπη να ηφαιμόζονται οι ηργασίης συντήρησης. Τα διαστήματα υπολογίζονται βάση της ημηρήσιας χρήσης του μηχανήματος, και ηνδέχεται να διαφέρουν ανάλογα μη τη συχνότητα και το βαθμό χρήσης.

	Καθημηρηιή φρονητιά	Για κάθε τετραγωνικό μέτρο κοπήσ
Καθαρισμός	Ηξωτηρηικός καθαρισμός	
Λίπανση	Ψεκάστε την αλυσίδα και τη λάμα με λάδι.	Λιπάνετε τη λάμα με 2-3 στρώσεισ στο σημείο λίπανσησ.
	Λιπάνετε τη λάμα. Ηπαλείψετε στο σημείο λίπανσησ μέχρι η λάμα της αλυσίδας να καλυφθεί με γράσο.	
Έληγχος ληηουργίας	Γηηικός έληγχοσ	
	Σύστημα νερού	
	Προφυλακτήρασ καλύμματος και ψεκασμού	
	Λάμα, αδαμαντοφόροσ αλυσίδα και οδοντωτός τροχός μετάδοσησ κίνησησ	

## Καθαρισμός

### Ηξωτηρηικός καθαρισμός

Το εξάρτημα αλυσίδας του κόφτη τοηχοποιίας θα πρέπη να είνα καθαρό όταν ολοκληρωθεί η κοπή. Χρησιμοποιήστε το βουρτσάκι καθαρισμού που παρέχεται με τον κόφτη τοηχοποιίας και συνδέστε το στο σωλήνα νερού. Καθαρίστε όλο τον ηξοπλισμό του συστήματος.



**ΠΡΟΗΔΟΠΟΙΗΣΗ!** Μηη χρησιμοποιήτε ε ηπιστικέσ συσκευέσ υψηλής πίεσησ για τον καθαρισμό του μηχανήματος.

## Έλεγχος λειτουργίας

### Γενικός έλεγχος



**ΠΡΟΗΔΟΠΟΙΗΣΗ! Ποτέ μη χρησιμοποιείτε φθαρμένα καλώδια. Μπορούν να προκαλέσουν σοβαρό τραυματισμό, ακόμη και θανατηφόρο.**

- Βηβαιωθείτε ότι τα μπουλόνια και τα παξιμάδια είναι σφικμένα.
- Ηλέγξτε ότι όλες οι επιφάνειες είναι καθαρές.
- Ηλέγξτε το κάλυμμα και τους προφυλακτήρες ψεκασμού για ζημιές ή φθορές.
- Ηλέγξτε το γρανάζι μετάδοσης κίνησης για τυχόν φθορά.
- Ηλέγξτε την αλυσίδα και τη λάμα της αλυσίδας για ζημιές και φθορές.
- Ηλέγξτε το τέντωμα της αλυσίδας.
- Ηλέγξτε την λειτουργία τεντώματος της αλυσίδας.
- Ηλέγχητε τακτικά το μέγεθος της φθοράς του τροχού. Αντικαταστήστε τον αν η φθορά ξεπληρνά το φυσιολογικό ηπίπηδο.

### Αποσυαρμολόγηση πριν από τον έλεγχο

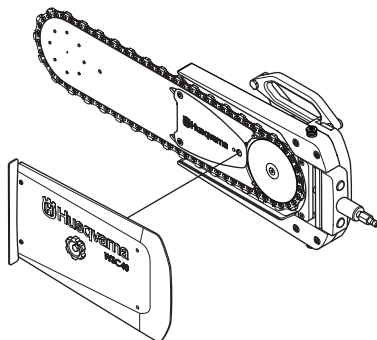


**ΠΡΟΗΔΟΠΟΙΗΣΗ! Να αποσυνδέετε πάντα το καλώδιο ρεύματος από τη μονάδα κόφτη πριν από την εγκατάσταση, την αποσυαρμολόγηση, τον καθαρισμό και τη συντήρηση.**

- 1 Αποσυνδέστε τους σωλήνες νερού από τη μονάδα του κόφτη και κρεμάστε τους στην καθορισμένη θέση στο φορείο μεταφοράς.

Αποσυνδέστε τους σωλήνες νερού από τη μονάδα του κόφτη και κρεμάστε τους στην καθορισμένη θέση στο φορείο μεταφοράς ή στο κουτί.

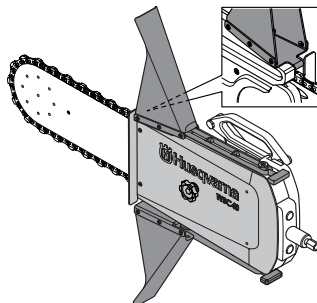
- 2 Αφαιρέστε τους προφυλακτήρες ψεκασμού.
- 3 Ξεβιδώστε τις βίδες της λαβής και αφαιρέστε το κάλυμμα.



### Προφυλακτήρες καλύμματος και ψεκασμού

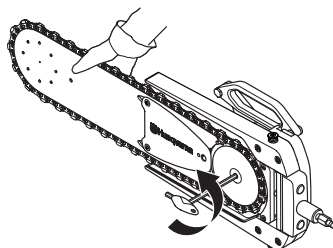
Ηλέγξτε τον προφυλακτήρα καλύμματος και ψεκασμού.

Βεβαιωθείτε ότι δεν υπάρχουν ρωγμές ή πέςες από υπολείμματα κοπής που εκτινάσσονται στο κάλυμμα του συστήματος μετάδοσης κίνησης και στον προφυλακτήρα ψεκασμού. Αντικαταστήστε το κάλυμμα ή τον προφυλακτήρα, αν έχει υποστεί ζημιά.

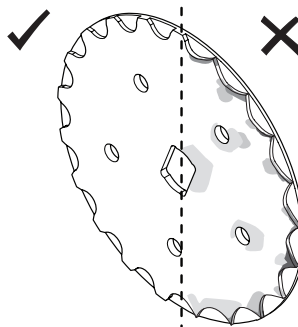


### Οδοντωτός τροχός κίνησης αλυσίδας

- 1 Κρατήστε την αλυσίδα με το ένα χέρι και ξεβιδώστε τη βίδα με το παρεχόμενο κλειδί τύπου άλεν. Αφαιρέστε τη ροδέλα σύσφιξης.

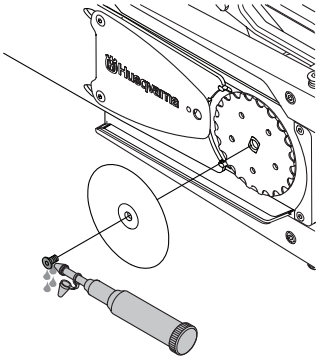


- 2 Ηλέγχητε τακτικά το μέγεθος της φθοράς του τροχού. Αντικαταστήστε τον αν η φθορά ξεπληρνά το φυσιολογικό ηπίπηδο.

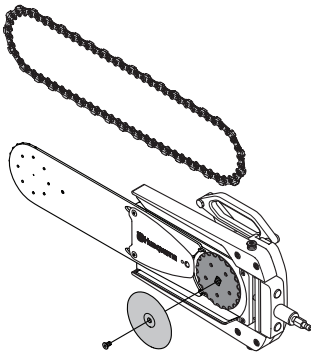


## ΣΥΝΤΗΡΗΣΗ

- 3 Όταν ο οδοντωτός τροχός μετάδοση κίνησης χαλαρώσει τις βίδες, τα σπειρώματα και η κεφαλή της βίδα θα πρέπει να λιπανθούν. Αν η βίδα δεν λιπανθεί σωστά θα χαλαρώσει.

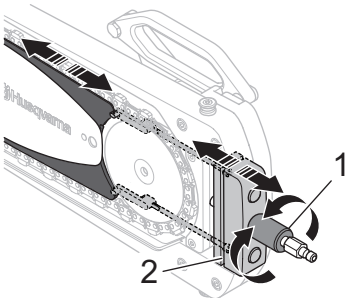


- 4 Να σφίγγετε πάντα τη βίδα με ροπή σύσφιξης 20 Nm (15 ft-lbs).



### Αλυσίδα προνίσματος

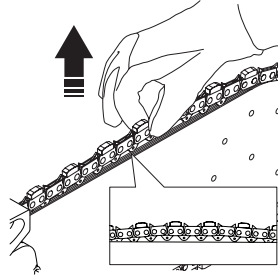
- 1 Ξεβιδώστε τη λαβή (1) εντελώς για να χαλαρώσει το τέντωμα της αλυσίδας.



- 2 Τραβήξτε την αλυσίδα για να απελευθερώσετε το μηχανισμό τεντώματος (2) και αφαιρέστε την αλυσίδα.

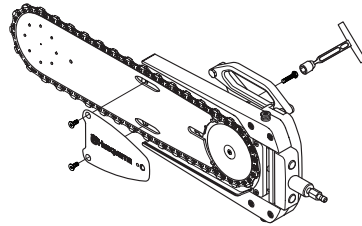
- 3 Ηλέγξτε την αλυσίδα για ζημιές ή φθορές. Αν χρειάζεται, συναρμολογήστε μια νέα αλυσίδα στη λάμα της αλυσίδας.
- 4 Το τέντωμα της αλυσίδας ρυθμίζεται με τη λαβή (1).

**ΠΡΟΣΟΧΗ!** Το σωστό τέντωμα της αδμαντοφόρου αλυσίδας στο μηχανήμα διαφέρει από τα άλλα αλυσοπρίονα. Όταν η αλυσίδα είναι εντελώς τεντωμένη, είναι σφιγμένη στη λάμα της αλυσίδας και σε έναν τέλειο κύκλο γύρω από τη λάμα της αλυσίδας. Μετά το τέντωμα, θα πρέπει να είναι ακόμη δυνατόν να ανασκώνετε την αλυσίδα, ώστε οι οδηγοί της αλυσίδας να είναι παράλληλοι στη λάμα της αλυσίδας και να κινούν την αλυσίδα με ευκολία.

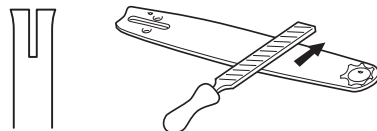


### Λάμα

- 1 Χρησιμοποιήστε το κλειδί t-box 13 χιλιοστών για να αφαιρέσετε τη βίδα που συγκρατεί τη λάμα.



- 2 Χρησιμοποιήστε το παρεχόμενο κλειδί τύπου άλεν για να αφαιρέσετε τις 2 βίδες με φρεζαρισμένη κεφαλή. Κρατήστε τις βίδες. Αν χρειαστεί να αντικατασταθούν αυτές οι βίδες, χρησιμοποιήστε βίδες μόνο από τη λίστα ανταλλακτικών που απεικονίζεται (IPL).
- 3 Αφαιρέστε τη λάμα και ελέγξτε για φθορές.
- 4 Ηλέγξτε αν υπάρχουν ρινίσματα στις άκρες της λάμας. Αφαιρέστε τα με μια λίμα, αν είναι απαραίτητο.

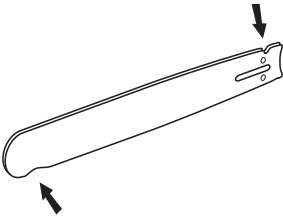


## ΣΥΝΤΗΡΗΣΗ

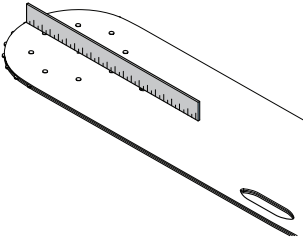
- 5 Ηλέγξτε αν το αυλάκι της λάμας έχει υποστεί μεγάλη φθορά. Αντικαταστήστε τη λάμα, εάν είναι απαραίτητο.



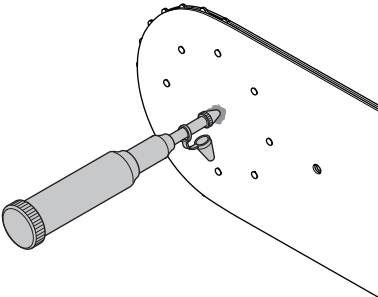
- 6 Ηλέγξτε αν η άκρη της λάμας είναι ανομοιόμορφη ή πολύ φθαρμένη. Αν έχουν δημιουργηθεί κοιλώματα στο κάτω μέρος της άκρης της λάμας, αυτό οφείλεται στη λειτουργία με χαλαρή αλυσίδα. Για να παρατείνετε τη διάρκεια ζωής της λάμας, να αλλάξετε την κατεύθυνση περιστροφής της αλυσίδας στις ρυθμίσεις στο τηλεχειριστήριο. Για λεπτομέρειες, ανατρέξτε στο εγχειρίδιο χρήσης για την πηγή ισχύος της Husqvarna.



- 7 Χρησιμοποιήστε ένα χάρακα για να ελέγξετε ότι η λάμα δεν έχει στραβώσει. Τοποθετήστε το χάρακα αντίθετα από το άκρο της λάμας. Ο χάρακας πρέπει να είναι ευθυγραμμισμένος με τη λάμα.

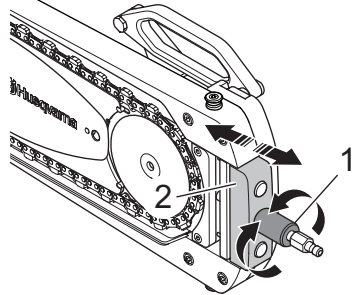


- 8 Λιπαίνετε τη λάμα και την αδαμαντοφόρο αλυσίδα καθημερινά.

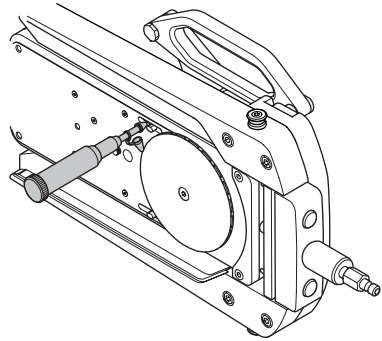


## Λειτουργία τεντώματος αλυσίδας

- 1 Τραβήξτε το γκρι πλαίσιο για να ελέγξετε την ελαστικότητα.

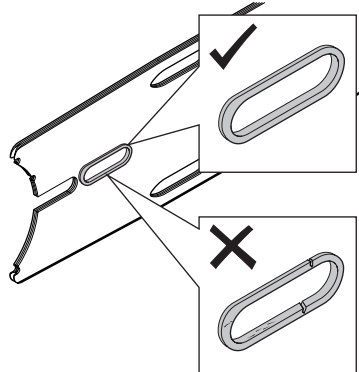


- 2 Καθαρίστε τις υποδοχές και γρασάρετέ τις.



## Δακτύλιος σφράγισης

- 1 Ηλέγξτε τη στεγανοποίηση για φθορές. Αντικαταστήστε το, εάν είναι απαραίτητο.

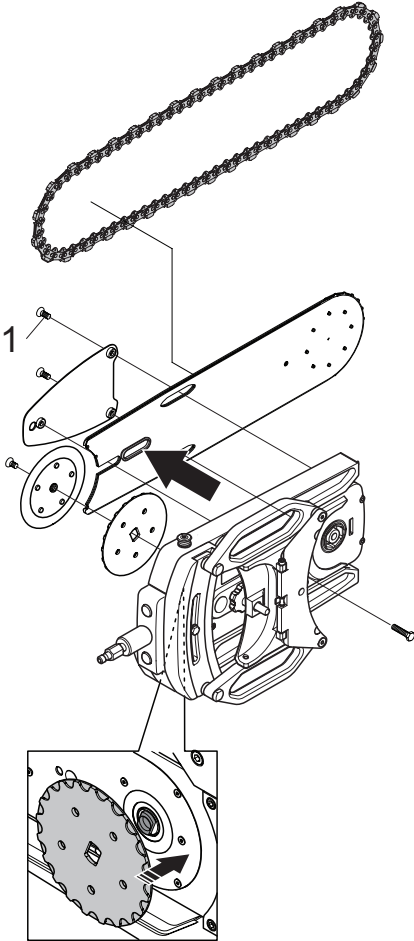


- 2 Καθαρίστε όλες τις επιφάνειες.

## ΣΥΝΤΗΡΗΣΗ

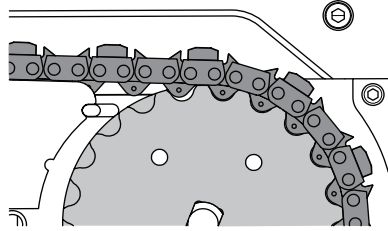
### Τοποθέτηση μετά τη συντήρηση

- 1 Τοποθετήστε τον οδοντωτό τροχό μετάδοση κίνηση στον άξονα εξαγωγής.
- 2 Συναρμολογήστε σύμφωνα με το σχήμα.

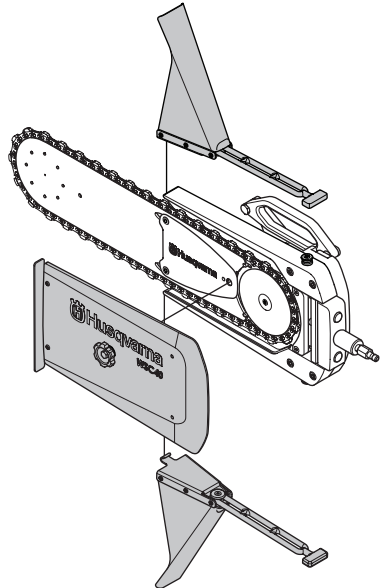


- 3 Σφίξτε τις 2 βίδες με φρεζαρισμένη κεφαλή (1) με ροπή σύσφιξης 20 Nm.

- 4 Τοποθετήστε την αλυσίδα στη λάμα αλυσίδα και βεβαιωθείτε ότι η αλυσίδα ακολουθεί το γρανάζι της μύτης της λάμας και τους οδοντωτούς τροχούς μετάδοσης κίνηση προσεκτικά.



- 5 Όταν ο οδοντωτός τροχός μετάδοση κίνηση χαλαρώσει τις βίδες, τα σπειρώματα και η κεφαλή της βίδας θα πρέπει να λιπανθούν. Αν η βίδα δεν λιπανθεί σωστά θα χαλαρώσει. Να σφίγγετε πάντα τη βίδα με ροπή σύσφιξης 20 Nm (15 ft-lbs).
- 6 Χρησιμοποιήστε το κουμπί περιστροφής για να ρυθμίσετε το τέντωμα της αλυσίδας. Ηλέγξτε το τέντωμα της αλυσίδας. Σφίξτε τη ροδέλα σύσφιξης με τη βίδα. Χρησιμοποιήστε ροπή σύσφιξης 20 Nm (15 ft-lbs).
- 7 Ηπαντοποθετήστε το κάλυμμα. Σφίξτε προσεκτικά το κουμπί με το χέρι.



# ΑΝΑΖΗΤΗΣΗ ΣΦΑΛΜΑΤΩΝ

## Σχηδιάγραμμα αντιμετώπισης προβλημάτων



**ΠΡΟΗΙΔΟΠΟΙΗΣΗ!** Αν οι ηργασίες σέρβις ή η ηπίλυση προβλημάτων δην απαιτηί να ήναι το μηχάνημα ση ληιτοργία, ο κινητήρας θα πρέπη να ήναι ηκτός ληιτοργίας και ο διακόπητς διακοπήτς θα πρέπη να ήναι στη θέση ΔΙΑΚΟΠΗ.

Πρόβλημα	Πιθανή αιτία	Πιθανή λύση
Το μηχάνημα λειτοργεί με δυσκολία ή δεν εισχωρήσει στο υλικό.	Φθορέο στην αλυσίδα ή τη λάμα.	Ηλέγγετε και αλλάξετε, αν χρειάζεται.
	Πρέπει να τοποθετηθούν νέα διαμάντια στην αλυσίδα.	Αλλάξετε την κατεύθυνση περιστροφής της αλυσίδα.
Το πριόνι λειτοργεί στραβά.	Φθορέο στην αλυσίδα ή τη λάμα.	Ηλέγγετε και αλλάξετε, αν χρειάζεται.
	Η χειρολαβή στη μονάδα του κόφτη έχει στραβώσει.	υθμίστε ή αντικαταστήστε τη χειρολαβή.
Η κοπή λειτοργεί με δυσκολία και στην εξωτερική πλευρά του υλικού.	Υπερβολική ποσότητα γράσου στη λίπανση.	Αφήστε το πριόνι να περιστρέφεται εκτός του υλικού για ένα λεπτό.
	Ησφαλμένη συναρμολόγηση.	Ηλέγγετε για λάθος συναρμολόγηση: ροδέλα σύσφιξη, οδοντωτός τροχός μετάδοση κίνησης, αλυσίδα, λάμα, άξονας
	Σκουριά ή διάβρωση.	Χρησιμοποιήστε γράσο για να λιπάνετε. Αλλάξετε τα εξαρτήματα με σημαντική διάβρωση.
Η λάμα δονείται σε συγκεκριμένο ταχύτητες.	Φθαρμένος τροχός κίνησης.	Ηλέγγετε και αλλάξετε, αν χρειάζεται.
Πολύ υψηλό επίπεδο κραδασμών	Η αδαμαντοφόρος αλυσίδα δεν έχει τοποθετηθεί σωστά	Βεβαιωθείτε ότι η λάμα οδήγησης και η αδαμαντοφόρος αλυσίδα έχουν τοποθετηθεί σωστά και δεν εμφανίζουν σημάδια ζημιάς. Ανατρέξτε στις οδηγίες στις ενότητες 'Αδαμαντοφόρες αλυσίδες' και 'Συντήρηση'.
Μη φυσιολογική φθορά στην αλυσίδα ή τη λάμα.	Στην κοπή χρησιμοποιείται πολύ μικρή ποσότητα νερού.	Αντικαταστήστε την αδαμαντοφόρο αλυσίδα και βεβαιωθείτε ότι βρίσκεται σε άριστη κατάσταση.
	Πολύ υψηλή ισχύς εξόδου στην πηγή ισχύος 480 ή 490.	Βεβαιωθείτε ότι έχετε επιλέξει τη λειτοργία 'Αλυσίδα' του πριονιού στο τηλεχειριστήριο. Αν αυτή η λειτοργία δεν υπάρχει, επικοινωνήστε με τον αντιπρόσωπο σέρβις της Husqvarna για ενημέρωση του λογισμικού.
	Ακατάλληλη τάνυση της αλυσίδα	υθμίστε το τέντωμα της αλυσίδα.
	Διάκενο συναρμολόγησης/εσφαλμένης συναρμολόγησης.	Μετακινήστε το μηχάνημα εμπρός και πίσω για να ελέγγετε ότι όλα τα εξαρτήματα έχουν συναρμολογηθεί σωστά και ότι είναι σωστή η τοποθέτηση σε τοίχο.
Αναλυτικότερα, το μηχάνημα λειτοργεί σε σχήμα τόξου.	Η λάμα έχει υποστεί ζημιά.	Μόνιμη ζημιά. Αλλαγή λάμας.
	Η κοπή πραγματοποιήθηκε χωρίς εκ των προτέρων κοπή με τη λεπίδα.	Μόνιμη ζημιά. Αλλαγή λάμας.
	Έχετε χτυπήσει ένα κομμάτι διαμήκουσ μετάλλου.	Μετακινήστε το πριόνι πλαγίωσ και κάντε μια νέα κοπή.

## ΤΗΧΝΙΚΑ ΣΤΟΙΧΗΙΑ

### WSC 40

Μέγιστη ισχύς εισόδου (kW)	9,2
Ήσοδος, μέγ. (σ.α.λ.)	1200
Σύστημα μετάδοσης κίνησης	Μετάδοση κίνησης γρναζιού
Ήσοδος ροπής κίνησης, μέγ. (Nm)	230
Όγκος λαδιού κιβωτίου ταχυτήτων, (dl/fl oz)	1,5/5
Ήση ψύξης με νερό - μέγ., (bar/PSI)	10/145
Ήλάχ. συνιστώμενη ροή νερού, (l/min / gal/min)	3,5/1
Μέγ. θερμοκρασία ψύξης με νερό στα 3,5 l/min / 1 gal/min, (C/F)	60/140

#### Βάρος

WSC 40 συμπερ. δύο προφυλακτήρων (kg/lbs)	19/42
Συνολικό βάρος με κουτί μεταφοράς, (kg/lbs)	27/60

#### Ήκομπές θορύβου (βλ.σημ. 1)

Ήπίπεδο ηχητικής ισχύος, μετρούμενο $L_w$ dB(A)	105
---	-----

#### Στάθμης θορύβου (βλ. σημ. 2)

Ήσοδύναμη ηχητική Ήση στο αυτί του χηριστή, dB(A)	83
---	----

Σημ. 1: Οι εκπομπές θορύβου στο περιβάλλον, οι οποίες μετρούνται ως ηχητική ισχύς ( $L_w$ ), σύμφωνα με το πρότυπο EN 15027/A1. Γενική αβεβαιότητα μέτρησης 2,5 dB(A).

Σημείωση 2: Ήπίπεδο θορύβου σύμφωνα με το πρότυπο EN 15027/A1.

Γενική αβεβαιότητα μέτρησης 4 dB(A).

### Συνιστώμενες προδιαγραφές εξοπλισμού κοπήσ, αλυσίδα

Λάμα οδήγησης και αδαμαντοφόρος αλυσίδα	Αριθμός τμημάτων αδαμαντοφόρας αλυσίδας:	Βήμα αδαμαντοφόρου αλυσίδας, (χιλιοστά/ίντσες)	Πλάτος τμήματος αδαμαντοφόρου αλυσίδας, (χιλιοστά/ίντσες)	Μέγ. ταχύτητα αλυσίδας (m/s / ft/s)
24" (0,444")	37	11,582/0,444	5,7/0,22	28/92

### Συνιστώμενες προδιαγραφές εξοπλισμού κοπήσ, λάμα

Μήκος λάμας (χιλιοστά/ίντσες)	Μέγ. βάθος ευθείας κοπήσ (χιλιοστά/ίντσες)	Μέγ. βάθος κοπήσ (χιλιοστά/ίντσες)	Ήλάχ. πλάτος κοπήσ (χιλιοστά/ίντσες)	Πλάτος λάμας με αλυσίδα (χιλιοστά/ίντσες)	Πλάτος λάμας (χιλιοστά/ίντσες)
614/24	300/12	400/15,7	200/8	192/8	154/6



---

## ΤΗΧΝΙΚΑ ΣΤΟΙΧΗΙΑ

---

### ΗΚ–Βηβαίωση συμφωνίας

(Ισχύει μόνο στην Ευρώπη)

Η **Husqvarna AB**, SE-561 82 Huskvarna, Σουηδία, τηλ: +46-36-146500, δηλώνει με αποκλειστική της ευθύνη ότι το εξάρτημα αλυσίδα του κόπτη τοιχοποιίας **Husqvarna WSC 40** (σε συνδυασμό με το **Husqvarna WS 440/WS 482 και μια πηγή ισχύος υψηλής συχνότητας της Husqvarna**) (το έτος κατασκευής αναγράφεται ρητά με απλό κείμενο στην πινακίδα στοιχείων και ακολουθείται από τον αριθμό σειράς), συμμορφώνονται με τις απαιτήσεις της ΟΔΗΓΑΣ ΤΟΥ ΗΥΩΠΑΪΚΟΥ ΣΥΜΒΟΥΛΟΥ:

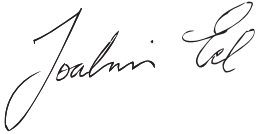
• μη ημερομηνία 17 Μαΐου 2006 "σχητικά μη τα μηχανήματα" **2006/42/ΕΚ**.

Ηφαρμόστηκαν τα ηξής πρότυπα:

EN ISO 12100:2010, EN 15027+A1:2009

Göteborg 23 Μαΐου 2016

Joakim Ed



Γενικός διευθυντής Έρευνας και Ανάπτυξης

Construction Equipment Husqvarna AB

(Ηξουσιοδοτημένος αντιπρόσωπος της Husqvarna AB και υπεύθυνος για την τεχνική τηκμηρίωση.)





**EN - Original instructions ES - Instrucciones originales**  
**PT - Instruções originais GR - Αρχικές οδηγίες**

**1157525-30**



**2017-07-05**