



Husqvarna®



- Ⓢ Operator's manual: It is the owner's responsibility to ensure that all operators of this machine have read and understand the content of this manual before using the product! Careless or improper use of this machine can cause serious or even fatal injury! Allow only competent adults to operate this machine!
- Ⓞ Manual del operador: Lea cuidadosamente estas instrucciones y asegúrese de que las comprende bien antes de usar el FS 410 D.
- Ⓒ Manuel d'utilisation: Veuillez lire attentivement ces instructions et assurez-vous de bien les comprendre avant d'utiliser la machine modèle FS 410 D.



FS 410 D

CONTENTS and INTRODUCTION

Section	Contents	Page
Contents & Introduction.....		3
Symbols and Decals.....		4-8
Safety Instructions.....		9-13
Parts Identification (What Is What).....		14-15
Assembly.....		16-20
Operation		21-25
Maintenance & Lubrication		27-28
Trouble Shooting Guide.....		29
Wiring diagram.....		30
Technical Data.....		31-32
Accessories.....		33
Conformity Certificates.....		34
Contact Information.....		35

Introduction

Thank you for purchasing your new machine from Husqvarna Construction Products. We have provided important safety messages in this manual and on the machine. Please read these messages carefully. A safety message alerts you to potential hazards that could hurt you or others. Each safety message is preceded by a symbol or the safety alert symbol (⚠) and one of two words, **WARNING**, or **CAUTION**.

These signal words mean:

⚠ WARNING: Indicates a hazardous situation which, if not avoided **COULD** result in death or serious injury.

⚠ CAUTION: Indicates a hazardous situation, which, if not avoided, **COULD** result in minor or moderate injury. It may also be used to alert against unsafe practices.



Each message tells you what the hazard is, what can happen, and what you can do to avoid or reduce injury. Other important messages are preceded by the word **NOTICE**.

NOTICE means:

NOTICE: Indicates a hazardous situation which, if not avoided, could result in property damage. Your machine or other property can be damaged if you don't follow this instruction.

The safety labels should be periodically inspected and cleaned by the user to maintain good legibility at a safe viewing distance. If the label is worn, damaged, or is illegible, it should be replaced.

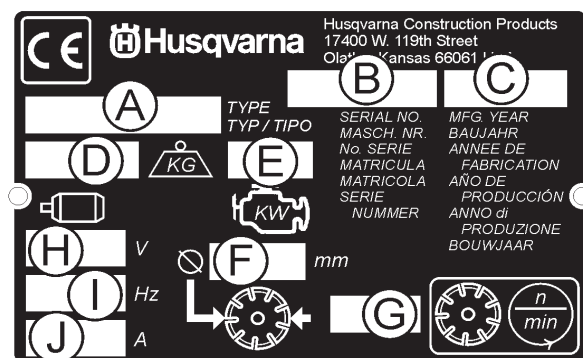
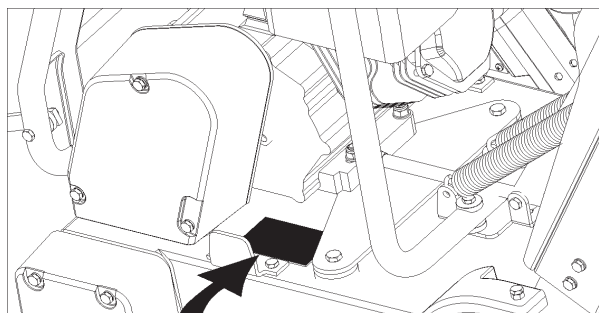
⚠ WARNING!

Before operating machine, read and understand this entire operation manual & engine operation manual supplied with engine.

Be familiar with machine before operation!

Model Identification: Record machine serial number plate information below for future reference



A. Model: _____

B. Machine Serial No: _____

C. Year of Manufacture _____

D. Mass of Machine (kg) _____

E. Engine Power (KW) _____

F. Blade Diameter (mm) _____

G. Blade Speed (Revolutions / Minute) _____

H. Electric Motor Voltage (If Equipped) _____

I. Electric Motor Phase (If Equipped) _____

J. Electric Motor Amperage (if Equipped) _____

Other information not shown on machine serial plate:

Engine Serial No: _____

See Engine Operation Manual for location.

Purchase Date: _____

SYMBOLS and DECALS



Please read the instructions for use prior to operating the machine for the first time.



This symbol indicates that the machine is in conformance with the applicable European directive.



Mandatory



Indication



Prohibition



Warning Triangle



Wear Eye Protection



Wear Breathing Protection



The use of hearing protection is mandatory



Wear Head Protection



Wear Safety Shoes



Wear Appropriate Clothing



Remove the blade prior to Hoisting, Loading, Unloading and Transporting the Machine.



Machine Stop, Transmission Stop



Use In Well Ventilated Area



Do Not Use In Flammable Areas



Machinery Hazard, Keep hands and Feet Clear.



Muffler Hot. May Cause Burns and / or Ignition of Material. Avoid Contact.



Danger, Poison Exhaust Gas



No Non-working Personnel In Area



No Smoking



Do Not Operate Without Blade Guard in Place



Always Keep All Guards In Place



Water Supply On



Water Supply Off



Water Supply

SYMBOLS and DECALS

	Blade Water Safety Switch		Electrical Switch-Start
	Engine Coolant Temperature		Repairs Are To Be Done By An Authorized Dealer Only
	Keep Work Area Clean/Well Lit, Remove All Safety Hazards		Headlight
	Dangerously High Noise Level		Diamond Blade
	Pay Extreme Attention to The Care And Protection Of The Machine Before Starting Up		Blade Diameter
	Remove Tools From Area and Machine		Blade Engagement
	Engine Oil Pressure		Pulley diameter
	Oil Required		Number of Revolutions Per Minute, Rotational Speed
	Dipstick, Maintain Proper Oil Level		Blade Flange Diameter
	Lubrication Point		Blade Depth Stop
	High Speed		Cutting Depth Indicator – Depth of Cut
	Low Speed		Parking Brake
	Electrical Switch-Off		Parking Brake Applied
	Electrical Switch-On		Parking Brake Released

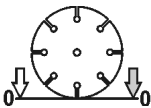
SYMBOLS and DECALS



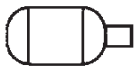
Machine Mass (Kilograms)



Positive Battery Terminal



Blade Depth Indicator – Zero



Electric Motor



Engine



Engine Speed Revolutions/Minute



Engine Start



Unleaded Fuel Only

SYMBOLS and DECALS



P/N 542 19 07-33
Location: Front of Cowl

FS 410 D

P/N 504 56 97-01
Location: Left and Right Side of Frame
(FS 410 D Only)

For local service, please contact your local Husqvarna Construction Products representative.

Para efectuar un servicio local, póngase en contacto con su representante local de Husqvarna Construction Products.

Pour toute réparation, contacter le représentant local de Husqvarna Construction Products.

Für Service vor Ort wenden Sie sich bitte an Ihren örtlichen Vertreter von Husqvarna Construction Products.

Neem voor plaatselijke service contact op met uw plaatselijke vertegenwoordiger van de constructieproducten van Husqvarna.

Per assistenza, rivolgersi al rappresentante di zona della Husqvarna Construction Products.

För service på platsen, kontakta din lokala representant för Husqvarna Construction Products.

Para obter serviço técnico local, contactar o representante da Husqvarna Construction Products local.

Europa / Europe:

Husqvarna
Construction Products
SE-433 81 Partille, Sweden
Tel: +46 31 94 90 00
Fax: +46 31 94 90 50

Asia Pacific:

Husqvarna
Construction Products,
Australia Pty Ltd
25-31 Kinkaid Avenue,
North Plympton, Adelaide,
South Australia 5037
Tel: +61 (0)8 8375 1000
Fax: +61 (0)8 8371 0990

The Americas:

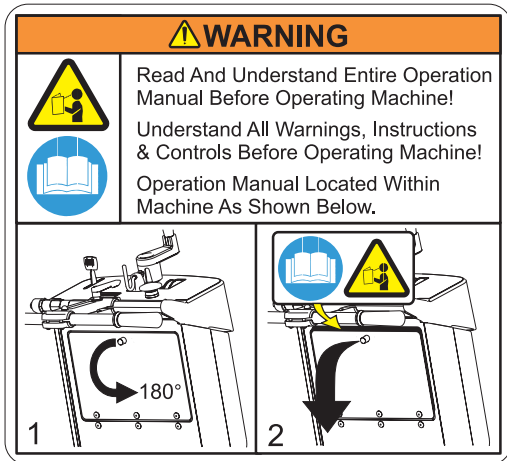
Husqvarna Construction Products,
North America
17400 West 119th Street,
Olathe, Kansas 66061 USA
Toll-Free Telephone: 800-288-5040,
Telephone: 913-928-1300
Fax: 913-438-7938

P/N 542 19 06-46 Local Service
Location: Side of Frame



P/N 542 19 05-88
Location: Depth Gauge

SYMBOLS and DECALS



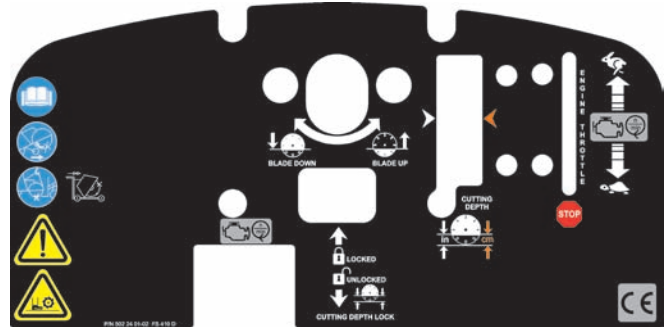
P/N 542 19 05-93
Location: Rear of Cowl



P/N 542 16 90-65
Location: Top of Belt Guard



P/N 542 19 06-17
Location: Water Tank (If Equipped)



P/N 502 24 01-02
Location: Top of Cowl



P/N 542 19 06-38
Location: Rear of Cowl



P/N 543 04 57-88 **SOUND LEVEL - 108dBA**
Location: Upper Right Hand Frame



P/N 542 16 12-35
Location: Upper Right Hand Frame

SAFETY INSTRUCTIONS

General use

WARNING!	
	Before operating machine, read and understand this entire operation manual & engine operation manual supplied with engine.
	Be familiar with machine before operation!

 	<p>Operator must wear personal protective equipment & clothing appropriate to the work he is doing.</p> <p>Personal protective equipment, such as hearing & eye protection, is mandatory.</p>
------	---

	The working area must be completely clear, well lit and all safety hazards removed.
--	--

	Any persons not involved in the work, should leave the area.
--	---

	WARNING! Do not contact the tool when machine is in operation.
--	---

Fuel Safety:

	WARNING! Take care when handling fuel. Bear in mind the risk of fire, explosion and inhaling fumes.
--	--

- Only store fuel in containers approved for the purpose.
- Only refuel machine with engine OFF. Never remove fuel cap and fill the fuel tank while the engine is running.
- Always refuel in a well ventilated area.
- Never fill a fuel tank indoors.
- Allow engine to cool before refueling.

	Never fuel machine in vicinity of sparks or flames. Do not use machine in flammable area.
--	--

	Do not smoke while fueling or using the machine.
--	---

- Move machine 10 feet (3 meters) from refueling point before starting engine.
- Never start the machine:
 - 1) If fuel has been spilled on the machine. Wipe off spillage and allow remaining fuel to evaporate.
 - 2) If you have spilled fuel on yourself or your clothes. Use soap and water to wash any part of your body that has come in contact with fuel.
 - 3) If the machine is leaking fuel. Check regularly for leaks from the fuel cap and fuel lines.
- Store and transport machine and fuel so that there is no risk of any leakage or fumes coming into contact with sparks or flames, for example, electrical machinery or electric motors, electrical relays / switches, or boilers.

DUST WARNING

Cutting, especially when DRY cutting, generates dust that comes from the material being cut, which frequently contains silica. Silica is a basic component of sand, quartz, brick clay, granite and numerous other minerals and rocks. Exposure to excessive amount of such dust can cause:

- Respiratory diseases (affecting your ability to breath), including chronic bronchitis, silicosis and pulmonary fibrosis from exposure to silica. These diseases may be fatal;
- Skin irritation and rash; and
- Cancer according to NTP* and IARC*

* National Toxicology Program, International Agency for Research on Cancer

Take precautionary steps

- Avoid inhalation of and skin contact with dust, mist and fumes;
- Wet cut when feasible, to minimize dust;
- Wear and ensure that all bystanders wear appropriate respiratory protection such as dust masks designed to filter out microscopic particles. (See OSHA 29 CFR Part 1910.1200)

California Prop 65 Warning:

Use of this product can cause exposure to materials known to the State of California to cause cancer and/or birth defects or other reproductive harm.

SAFETY INSTRUCTIONS



WARNING POISON EXHAUST GAS



THIS SAW IS SHIPPED FROM THE FACTORY *WITHOUT A CATALYTIC CONVERTER*. THE ENGINE PRODUCES CARBON MONOXIDE EXHAUST EMISSIONS AND IS ***NOT SAFE*** FOR USE IN ENCLOSED AREAS. USE OF A CATALYTIC CONVERTER REDUCES THE CARBON MONOXIDE EXHAUST EMISSIONS, BUT STILL IS ***NOT SAFE*** FOR USE IN ENCLOSED AREAS.

USE ONLY IN WELL-VENTILATED AREAS. WORKSITE AIR QUALITY MUST COMPLY WITH OSHA 29 CFR 1910.1000 PER TABLE Z-1, LIMITS FOR AIR CONTAMINANTS.

MONITOR WORKSPACE AIR QUALITY TO INSURE COMPLIANCE. FAILURE TO COMPLY WILL RESULT IN DANGER TO LIFE AND CAUSE PERMANENT INJURY OR DEATH.

General Information

Carbon monoxide (CO) has the distinction of being one of the few commonly encountered industrial gasses that is both highly toxic (poison) and odorless. When inhaled, CO acts as a chemical asphyxiant by preferentially combining with hemoglobin in the blood stream. As a result, the hemoglobin is not able to transport its normal amount of oxygen, which results in under-oxygenation of tissues. Symptoms of low-level CO exposure include headaches, dizziness, confusion, and nausea. **However, loss of consciousness, permanent injury and death may result from continued or more intense exposure.** Because of the health hazards associated with CO inhalation, the Occupational Safety and Health Administration (OSHA) have imposed personal exposure limits. The OSHA exposure limits, which are specified in the 29 CFR 1910.1000 (1998 Revision), allow for a 200 PPM Ceiling Limit and a TWA of 35 PPM per 8-hour shift/40-hr workweek. It is strongly recommended that the OSHA 29 CFR 1910.1000 (Code of Federal Regulations) be consulted for more information on exposure limits for various hazardous materials. If CO Poisoning is suspected immediately remove the victim to fresh air and obtain emergency medical attention.

Proper Ventilation:

THIS SAW IS SHIPPED FROM THE FACTORY *WITHOUT A CATALYTIC CONVERTER*. It is important to be aware that saws with catalytic converters reduce CO and hydrocarbon (HC) emissions. The exhaust still contains CO. If the workspace is too confined or under-ventilated, CO may accumulate until it eventually exceeds OSHA limits. When this happens, action must be taken to remove workers from areas of high concentration. Operators and work area supervisors should take precautions to insure adequate ventilation of the workspace at all times. Carbon monoxide detection monitors should be used to determine that adequate ventilation exists.



WARNING HEARING HAZARD

DURING NORMAL USE OF THIS MACHINE, OPERATOR MAY BE EXPOSED TO A NOISE LEVEL EQUAL TO **85 dB (A)** OR GREATER. TEMPORARY AND/OR PERMANENT DAMAGE TO HEARING MAY RESULT. HEARING PROTECTION REQUIRED.

SAFETY INSTRUCTIONS

SAFETY FIRST!



WARNINGS

DO's AND DO NOT's



WARNING: FAILURE TO COMPLY WITH THESE WARNINGS AND OPERATING INSTRUCTIONS COULD RESULT IN DEATH OR SERIOUS BODILY INJURY.

DO

- DO Read this entire operator's manual before operating this machine. Read and understand all warnings, instructions, controls, and symbol definitions contained in this manual, and on the machine.
- DO always give a copy of this manual to the equipment user. If you need extra copies, call TOLL FREE 1-800-288-5040 in USA, or +1-913-928-1300 for International, or see "contact information" section of this manual.
- DO keep all guards in place and in good condition.
- DO wear safety approved hearing, eye, head and respiratory protection.
- DO read and understand all warnings and instructions on the machine.
- DO keep all parts of your body away from the blade and all other moving parts.
- DO know how to stop the machine quickly in case of emergency.
- DO shut off the engine and allow it to cool before refueling or doing maintenance.
- DO inspect the blade, flanges and shafts for damage before installing the blade.
- DO use the blade flange size shown for each blade size.
- DO use only steel center diamond blades manufactured for use on concrete saws.
- DO use only the blade flanges supplied with the saw. Never use damaged or worn blade flanges.
- DO use only blades marked with a maximum operating speed greater than the blade shaft speed. Verify speed by checking blade shaft rpm and pulley diameters and blade flange diameters.
- DO verify saw drive configuration by checking blade shaft RPM, pulley diameters, and blade flange diameter.
- DO read all safety materials and instructions that accompany any blade used with this machine.
- DO inspect each blade carefully before using it. If there are any signs of damage or unusual wear, **DO NOT USE THE BLADE.**
- DO mount the blade solidly and firmly, Wrench tighten the arbor nut.
- DO make sure the blade and flanges are clean and free of dirt and debris before mounting the blade on the saw.
- DO use the correct blade for the type of work being done. Check with blade manufacturer if you do not know if blade is correct.
- DO use caution and follow the instructions when loading and unloading the machine.
- DO operate this machine only in well ventilated areas. Breathing Poison Exhaust Gas could result in death.
- DO instruct bystanders on where to stand while the machine is in operation.
- DO establish a training program for all operators of this machine.
- DO clear the work area of unnecessary people. Never allow anyone to stand in front of or behind the blade while the engine is running.
- DO make sure the blade is not contacting anything before starting the engine.
- DO use caution when lifting and transporting this machine.
- DO always tie down the machine when transporting.
- DO use caution and follow instructions when setting up or transporting the machine.
- DO have all service performed by competent service personnel
- DO verify the blade arbor hole matches the machine spindle before mounting the blade.
- DO always check for buried hazards, such as electrical or gas lines before sawing. Always contact local utilities before operation in unknown areas.
- DO move the machine at least 10 feet (3 meters) from the fueling point before starting the engine and make sure the fuel cap is on the machine and properly tightened.
- DO lift machine only from specified lifting point.
- DO clean the machine after each day's use.
- DO use the proper blade flange size for each blade size. Never use damaged or worn blade flanges.
- DO use caution when handling fuel.
- DO only cut in a straight line, and only saw as deep as the job specifications require.

SAFETY INSTRUCTIONS

SAFETY FIRST!



WARNINGS DO's AND DO NOT's



WARNING: FAILURE TO COMPLY WITH THESE WARNINGS AND OPERATING INSTRUCTIONS COULD RESULT IN DEATH OR SERIOUS BODILY INJURY.

DO NOT

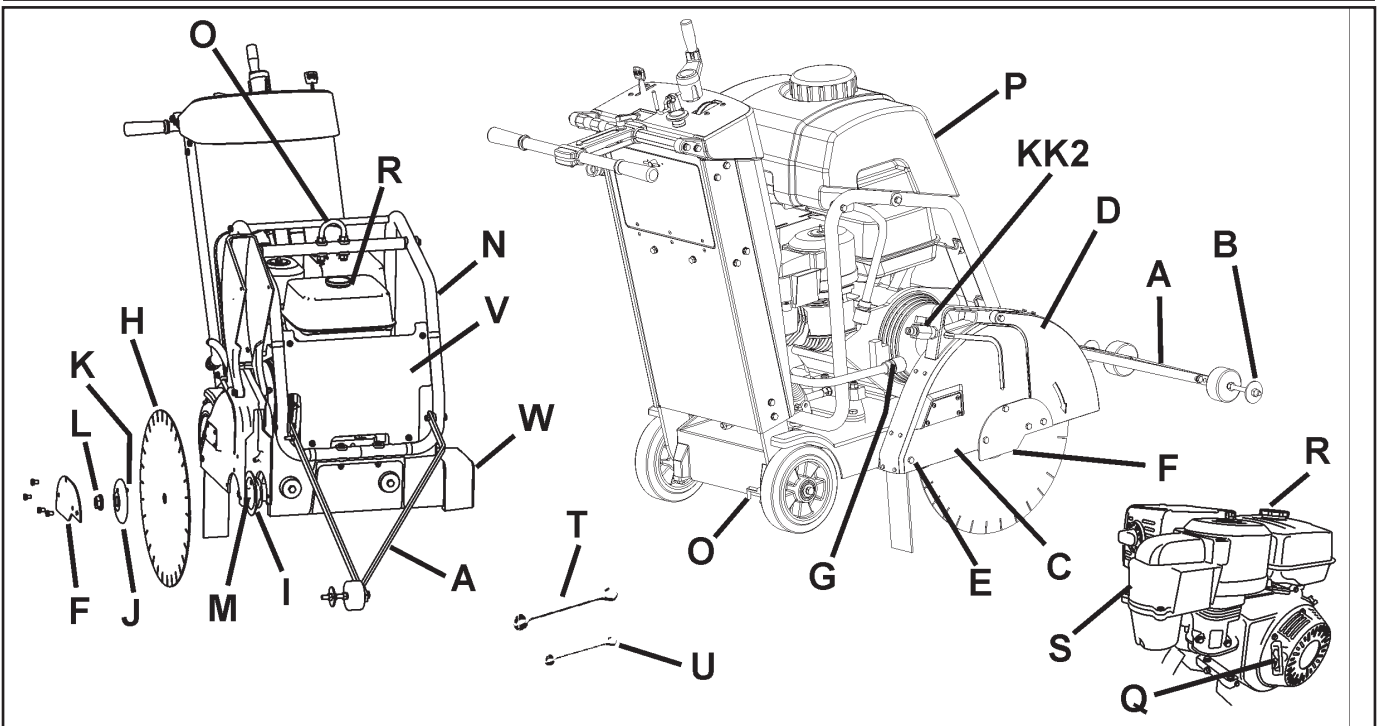
- DO NOT** operate this machine unless you have read and understood this operator's manual.
- DO NOT** operate this machine without the blade guard, or other protective guards in place.
- DO NOT** stand behind or in front of the blade path while the engine is running.
- DO NOT** leave this machine unattended while the engine is running.
- DO NOT** work on this machine while the engine is running.
- DO NOT** operate this machine when you are tired, fatigued or under the influence of drugs or alcohol.
- DO NOT** use a wet blade without adequate water supply to the blade.
- DO NOT** exceed maximum blade speed shown for each blade size. Excessive speed could result in blade breakage.
- DO NOT** operate the machine if you are uncertain of how to run the machine.
- DO NOT** use damaged equipment or blades.
- DO NOT** touch or try to stop a moving blade with your hand.
- DO NOT** cock, jam, wedge or twist the blade in a cut.
- DO NOT** transport a cutting machine with the blade mounted on the machine.
- DO NOT** use a blade that has been dropped or damaged.
- DO NOT** use carbide tipped blades.
- DO NOT** touch a dry cutting diamond blade immediately after use. These blades require several minutes to cool after each cut.
- DO NOT** use damaged or worn blade flanges.
- DO NOT** allow other persons to be near the machine when starting, refueling, or when the machine is in operation.
- DO NOT** operate this machine in an enclosed area. Breathing Poison Exhaust Gas could result in death.
- DO NOT** operate this machine in the vicinity of anything that is flammable. Sparks could cause a fire or an explosion.
- DO NOT** allow blade exposure from the guard to be more than 180 degrees.
- DO NOT** operate this machine with the belt guards or blade guard removed.
- DO NOT** operate this machine unless you are specifically trained for its operation.
- DO NOT** use a blade that has been over heated (Core has a bluish color).
- DO NOT** jam material into the blade.
- DO NOT** grind on the side of the blade.
- DO NOT** tow this machine behind a vehicle.
- DO NOT** operate this machine with the any guards or shields removed.
- DO NOT** cut deeper than 1" (25mm) per pass with a dry blade. Step cut to achieve deeper cuts.
- DO NOT** operate this machine while under the influence of drugs or alcohol.

This saw was designed for certain applications only. **DO NOT** modify this saw or use for any application other than for which it was designed. If you have any questions relative to its application, **DO NOT** use the saw until you have written Husqvarna Construction Products and we have advised you.

Husqvarna Construction Products North America
17400 West 119th Street, Olathe, Kansas 66061 USA

NOTES

PARTS IDENTIFICATION (WHAT IS WHAT)



A. Front Pointer: Use to Guide machine in a straight line.

B. Guide Wheel: On Front Pointer (A). Align to cutting line and Blade (H) to produce straight cuts.

C. Blade Guard: Covers Blade (H). Must always be in place when operating machine! Note tool direction as marked on guard with an arrow.

D. Blade Guard Front: Part of Blade Guard. Can be raised to install Blade (H).

E. Blade Guard Rear Bolt: Holds Blade Guard (C) in position. Must be removed and relocated if Blade Guard (C) is moved.

F. Blade Guard Latch Plate: Covers Outer Flange (J).

G. Water Hose Disconnect (G): Connects Blade Guard (C) to Water Control Valve (KK) or Water Tank (P). Can be used when Blade Guard (C) is mounted to left or right side of machine

H. Blade: Tool that cuts asphalt or concrete material – not included with machine.

I. Inner Flange: Arbor on which the Blade (H) is mounted. Replace if Damaged or worn.

J. Outer Flange: Used to hold Blade (H) in position. Contains Locking Pin (K) that must go through Blade (H). Replace if damaged or worn.

K. Locking Pin: Holds Blade (H) in position. Replace if Damaged or worn.

L. Blade Shaft Nut (L1 / L2): Holds Outer Flange (J) to machine. Nut (L1) on right side of machine has Left Hand threads. Nut (L2)(not shown) on left side of machine has Right Hand threads.

M. Blade Arbor: Blade (H) mounts on this surface.

N. Water Tank / Lifting Point Support: Holds Water Tank (P). Supports Lifting Point (O).

O. Lifting Point: Lift machine only from this point!

P. Water Tank (If Equipped): 25 Liter (6.6 U.S. Gallon) water capacity. Fill only with water! Do not fill with gasoline or other flammable substances! Use only for dust suppression when cutting dry. Use only with laser welded (dry) Diamond Blades (H).

Q. Engine Starting Rope: Use to start engine. See engine operation manual.

R. ---

S. ---

T. Blade Shaft Wrench (27mm): Use for installing and removing Blade (H). Store in Tool Compartment (BB).

U. Wrench (13mm): Use for many maintenance items on machine. Store in Tool Compartment (BB).

V. Front Cover: Clips to Water Tank Support (N).

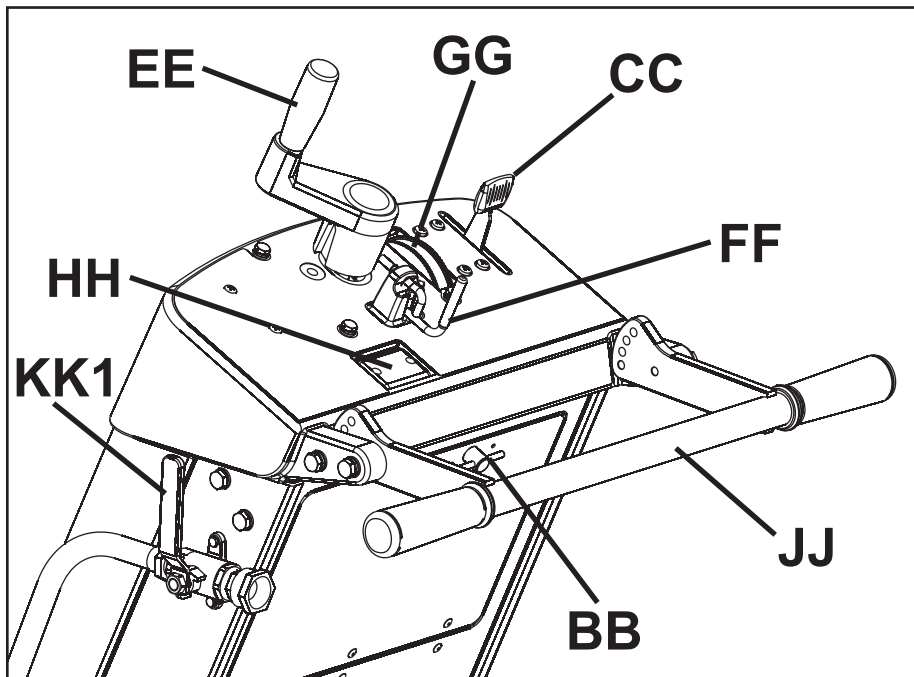
W. Shaft Guard: Protects Inner Flange (I). Always installed on opposite side of frame to Blade Guard (C).

X. Depth Control Grease Fitting: Not Shown. See Maintenance section of this document.

Y. Blade Guard Mounting Spade: Holds Blade Guard (C) in position.

Z. Engine Oil Dipstick: Use to check engine oil level (Not Shown – See Operation Section of this document).

PARTS IDENTIFICATION (WHAT IS WHAT)



AA. ---

BB. Tool Compartment: Contains Operation Manual, Parts List, & two wrenches (T & U) (13mm & 27mm). Open by turning knob 180 degrees. Always return Operation Manual to this area for future reference.

CC. Engine Throttle: Controls Engine speed (RPM). Push forward to increase engine speed. Pull backwards to decrease engine speed. All sawing is done at maximum engine speed.

DD. ---

EE. Blade Depth Control: Turn Counter-Clockwise to raise Diamond Blade (H) and Clockwise to lower Diamond Blade (H).

FF. Blade Depth Stop: To Lock Blade Depth Control (EE) in position. Pull Blade Depth Stop toward rear of machine and turn 90 degrees to lock in open position.

GG. Blade Depth Indicator: Shows cutting depth of Diamond Blade (H) in centimeters (orange color) and inches (white color). Operation: With engine OFF ("0"), lower Diamond Blade (H) until in contacts the cutting surface. Rotate Blade Depth Indicator to align "0" with arrows. Raise Saw. When saw is lowered into cut, current cutting depth is shown.

HH. Engine Tachometer (RPM): Shows engine speed in revolutions per minute if engine is running. Shows total operation time when engine is OFF ("0"). Total operation time shown in minutes from 0-59 minutes, and hours for 60+ minutes.

II. ---

JJ. Rear Handle: Operator position is behind machine with both hands on Rear Handle. Handle is adjustable to several positions.

KK1. Water Control Valve: Controls water flow to blade. Located on Left side of machine, near Rear Handle (RR). Not used with the water tank (if equipped).

KK2. Blade Guard Water Control Valve: Controls the water flow to the blade. Located on blade guard. Used with water tank (if equipped).

LL. Belt Guard (Not Shown): Covers engine drive belt.

MM. Belt Drive Idler: Used to hold tension on Blade Shaft Drive Belt.

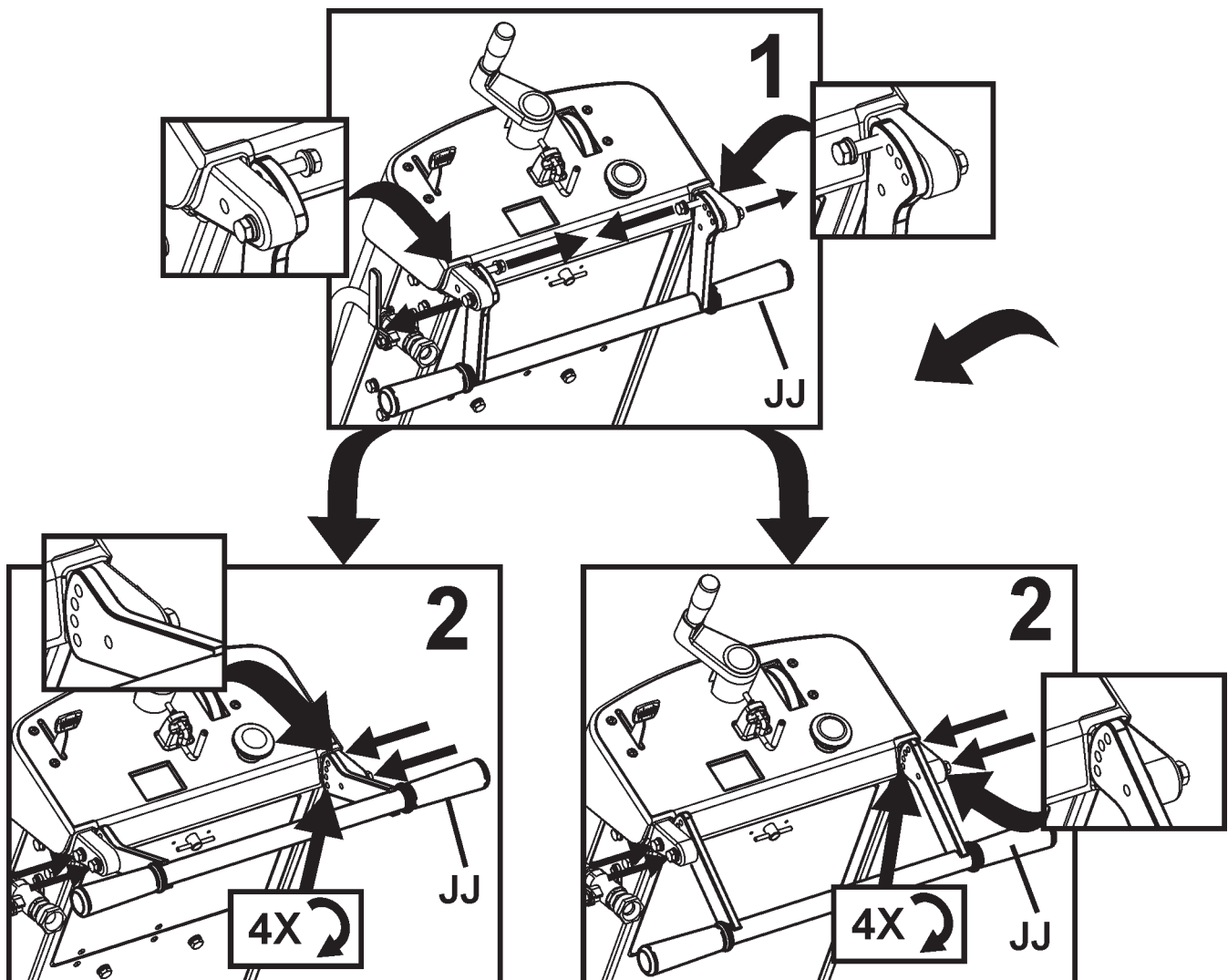
NN. Oil Drain Hose: Use to remove oil from engine.

OO. Parking Brake (EU units only): Use to hold machine in parked position. Located at Right Rear Wheel, at rear of machine. Operation: To engage, rotate lever upward, so rod is allowed to move inward. To dis-engage, pull rod inward and rotate downward so rod is fixed in the inward position.

ASSEMBLY

Assemble the following items before operating machine for the first time.

Re-Position Rear Handle (JJ): Rear Handle (JJ) is shipped in storage position shown. It must be repositioned to use the machine.

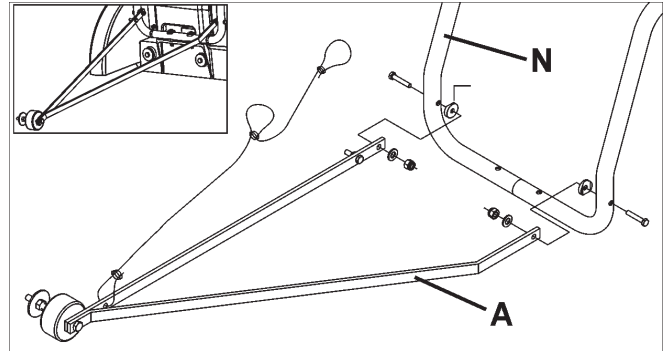


ASSEMBLY

Install Front Pointer (A):

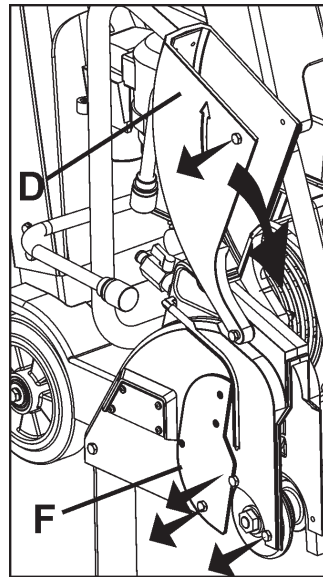
1. Using screws, washers and nuts installed in the Front Pointer (A), install onto tube frame of Water Tank Support (N). Adjust locking nuts to allow Pointer (A) to pivot freely.
2. Route pointer rope to avoid hot surfaces. Two loops in rope allow attachment to Rear Handle (JJ).

Note: “*Single Pointer*” (A) shown. Some regions have “*Dual Pointer*” as standard equipment. For all regions, Dual Pointer is available as an accessory. See “accessories” section of this document, or spare parts list for more information.



Blade Guard Front (D):

1. Using 13mm Wrench (U) provided, remove two (2) M8 screws located in front of and below Blade Guard Latch Plate (F), and the M8 screw in Blade Guard Front (D) [as indicated by arrows]. Loosen, but do not remove, remaining screw Blade Guard Latch Plate (F). Rotate Blade Guard Latch Plate (F), and Blade Guard Front (D) downward.

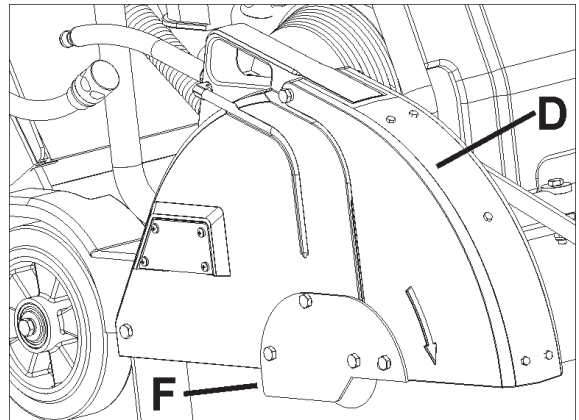


! WARNING!

Blade Guard Latch Plate (F) Must Be Installed before operation. Failure to Install before operating machine could create a Hazardous situation!

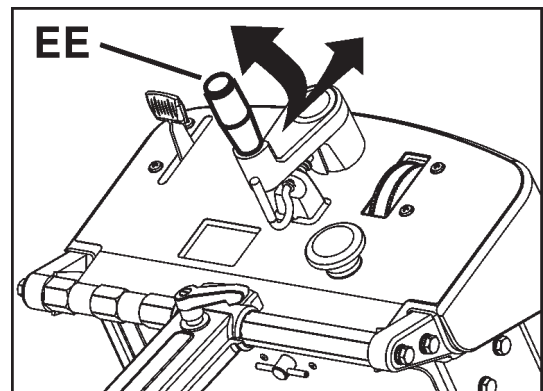
Always keep all guards in place when operating machine!

2. Reinstall three (3) M8 screws in Blade Guard Latch Plate (F) as shown in the diagram at the right. Use the 13mm Wrench (U) (supplied) to securely tighten the four (4) M8 bolts that hold the Blade Guard Latch Plate (F) in position.



Re-Position Blade Depth Control Handle (EE):

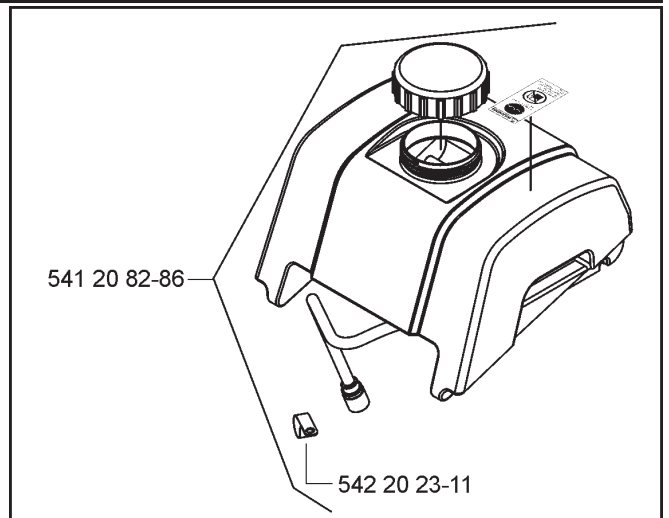
Pull outward on Blade Depth Control Handle (EE) and rotate 90 degrees until it snaps in position shown.



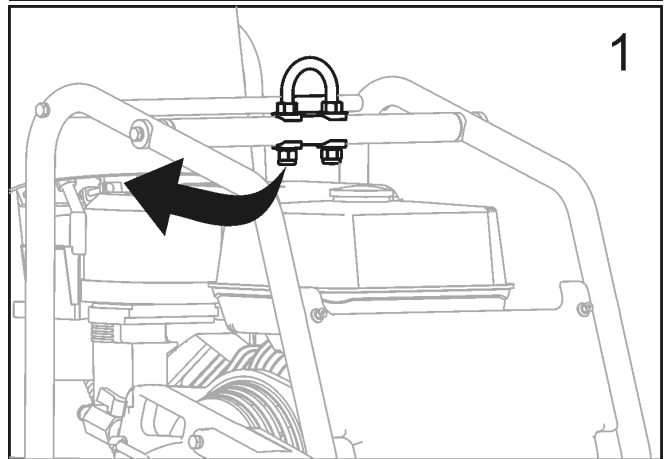
ASSEMBLY

Install Water Tank (P) (if equipped):

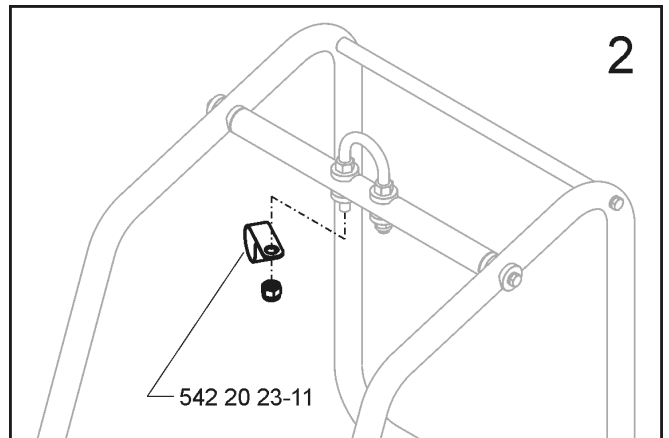
- A factory installed water tank is available in some regions. An optional water tank kit is available for all regions.
- If water tank was previously installed on machine, read these instructions to verify that installation is correct. Follow all WARNINGS for installation and use of the Water Tank.
- Verify the contents of the Water Tank Kit See Diagram at right.



1. Temporarily remove the right hand (same side of machine as engine starter rope) NUT from Lifting Eye (O). See diagram at right.



2. Install CLAMP supplied in Water Tank Kit (P), and then reinstall the NUT. See diagram at right.



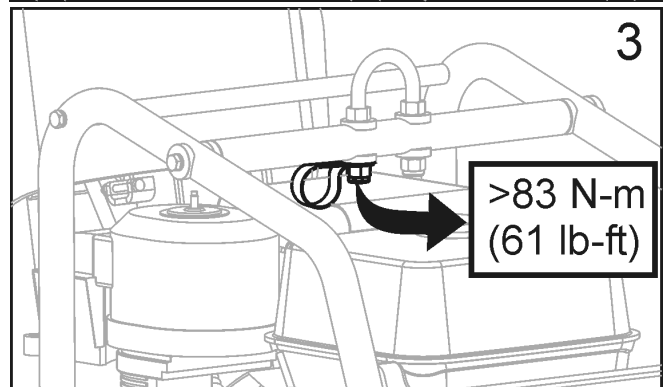
3. Torque as specified below, and diagram at right.

NOTICE

Torque Lifting Eye NUT to 83 N-m (61 lb-ft) minimum.

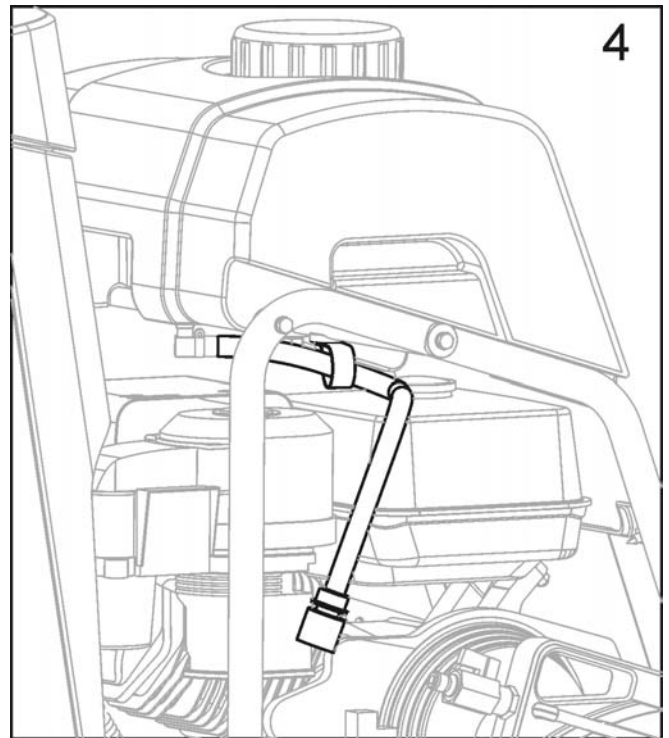
⚠ WARNING!

Torque NUT as specified, else failure of LIFTING EYE (O) could occur. Injury or death could occur if LIFTING EYE fails while lifting machine.



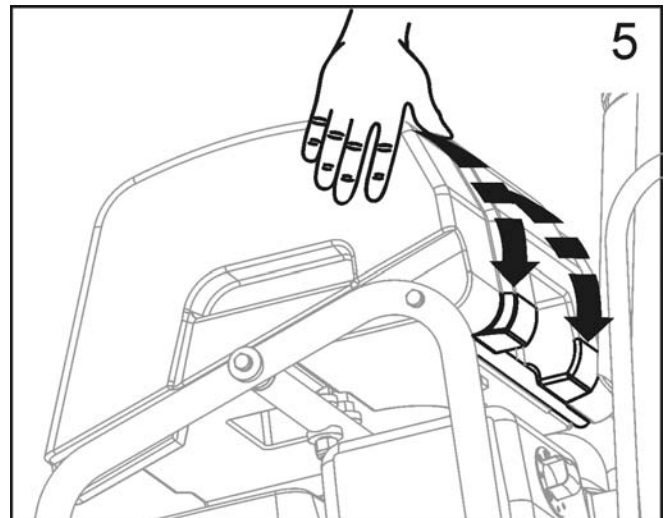
ASSEMBLY

4. Position Water Tank, and route Water Tank Hose as shown in Diagram at right.

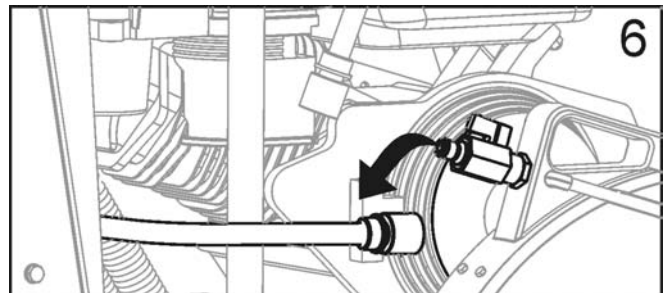


5. Align rear bar and recessed area at rear of water tank.

- Press down firmly on water tank so it snaps in position onto rear bar.
- When properly installed, water tank should pivot freely on rear bar.



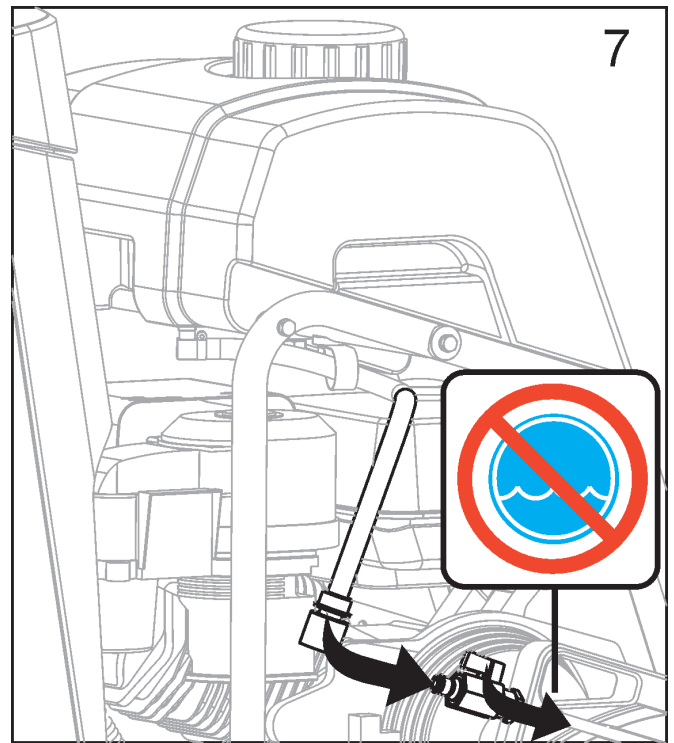
6. Disconnect existing water hose from blade guard. This is the water hose from water control valve mounted on saw.



ASSEMBLY

7. Connect Water tank hose to blade guard water valve.

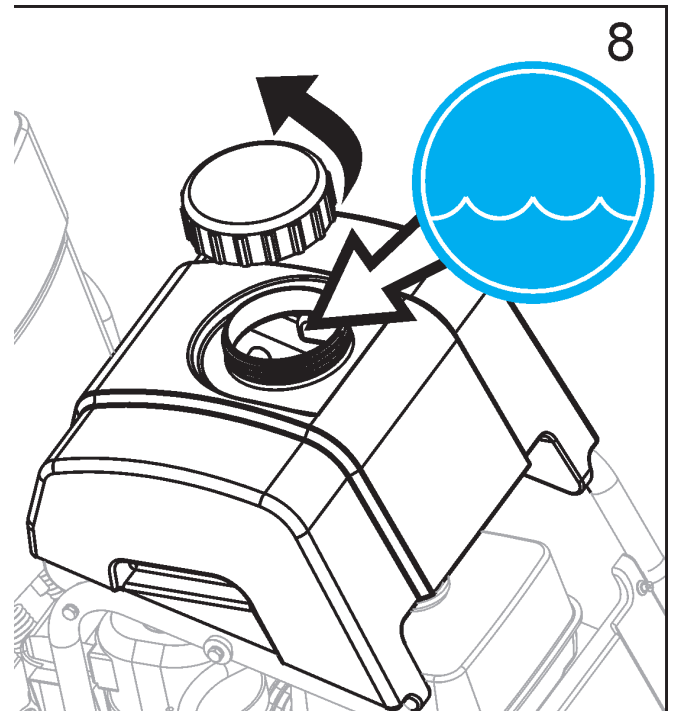
- Verify that blade guard water valve is in the OFF position.
- The water tank hose is now assembled to the saw.



Filling Water Tank:

8. Remove the cap by turning counter clockwise. See diagram at right.

- Fill water tank only with water. Read all WARNINGS before using water tank.
- Re-install the cap by turning clockwise.
- Water tank is designed only to suppress airborne concrete dust, and should only be used with “dry” cutting diamond blades.



WARNING!

DO NOT use conventional (wet) diamond blades with water tank as water source. Water flow is not sufficient to properly cool blade!

Fill Water Tank Only With Water!

Never fill Water Tank (P) with flammable liquids or gasoline, else injury or death could occur!

OPERATION

Before Operation:

Use: This machine is used only for wet or dry sawing of old and new concrete and asphalt.

WARNING!

DO NOT use for dry cutting in European Union (EU) regions. Machine is not equipped with a dust port.

Tools: Use machine only with the following tools (H): Water Cooled Diamond Blades. Reinforced Abrasive Blades or Dry Cutting Diamond blades should NOT be used with in European Union (EU) regions because this machine, as supplied, does not include a dust collector port.

Diameter: 300 mm (12") – 500 mm (20").

Bore: 25.4mm (1.00").

WARNING!

DO NOT use carbide, wood saw, or circular saw blades on this machine, else injury or death could occur.

Re-Locating the Blade Guard (C) - If Required:

Blade Guard (C) is factory installed on right hand side of machine, but can be relocated to left side. This may allow cutting closer to obstacles, if approaching them from the opposite direction is not possible.

1. Use 13mm Wrench (U) to remove Blade Guard Rear Bolt (E) from Blade Guard (C).
2. Push back collar to separate Water Hose Disconnect (G). Male half remains with Blade Guard (C). Female half remains with Water Tank (P) or Water Control Valve (KK).
3. Lift Blade Guard (C) upward, and off of Blade Guard Mounting Spade (Y).
4. Use 13mm Wrench (U) to remove four (4) screws that attach Blade Guard Latch Plate (F). Re-attach the Blade Guard Latch Plate (F) to the left hand side of Blade Guard (C).
5. Remove and relocate Shaft Guard (W) from left hand side of machine to right hand side.
6. Lower Blade Guard (C) onto Blade Guard Mounting Spade (Y) on left hand side of machine.
7. Re-Install Rear Bolt (E) in Blade Guard (C).
8. Re-Attach Water Hose Disconnect (G) from Blade Guard (C) to Water Tank (P) or Water Valve (KK). Take care that relocated hose will not contact muffler.
9. Relocate and realign Front Pointer (A) so Guide Wheel (B) is on left side of machine.

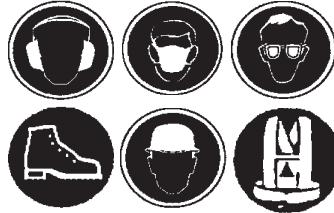
WARNING!



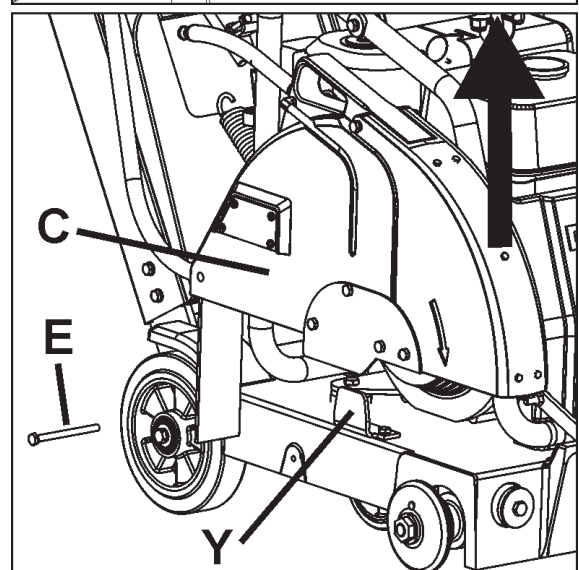
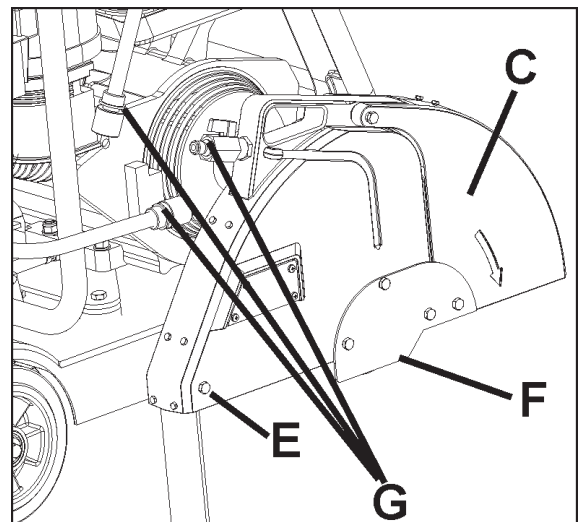
Before operating machine, read and understand this entire operation manual & engine operation manual supplied with engine.



Be familiar with machine before operation!



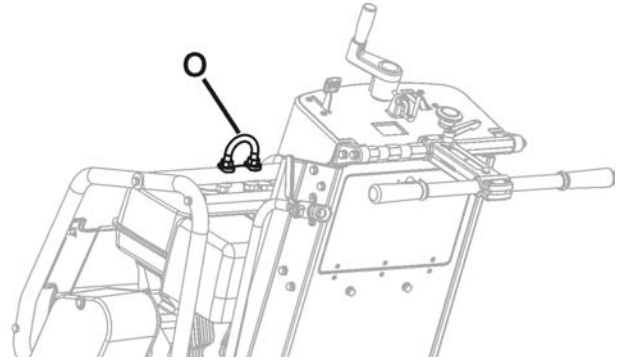
Operator must wear personal protective equipment & clothing appropriate to the work he is doing. Personal protective equipment, such as hearing & eye protection, is mandatory.



OPERATION

Transporting & Lifting Machine:

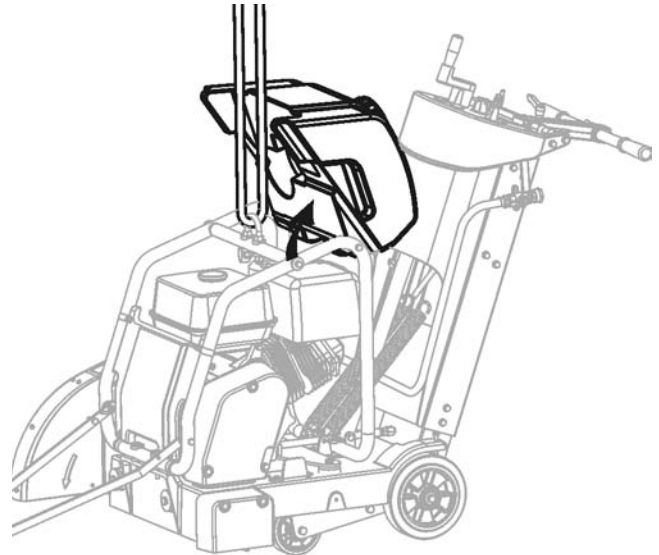
- Lift machine only from Lifting Point (O).
- Always remove Blade (H) before lifting, loading, or transporting.
- Use a proper lifting strap rated for at least the maximum mass of the machine. The nominal and maximum mass of the machine are shown in the TECHNICAL DATA section of this document.



Remove Blade (H) before lifting, loading, or transporting machine.

Lifting machine equipped with Water Tank:

- Before lifting a machine equipped with a water tank:
 1. Empty water from tank.
 2. Remove Blade.
 3. Lower machine until frame is parallel to ground.
 4. Pivot front of water tank upward until it rests against aluminum cowl top. Do not rest water tank cap against plastic cowl front - damage during lifting could occur.
 5. Attach proper lifting strap to Lifting Point (O).
 6. Test Lift machine at a low level (just a few centimeters) to verify tank remains secured to machine, and will not be damaged or cause damage.
 7. If water tank equipped machine can not be lifted without damage to the machine or tank, remove water tank before lifting.

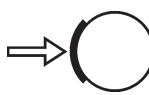


NOTICE

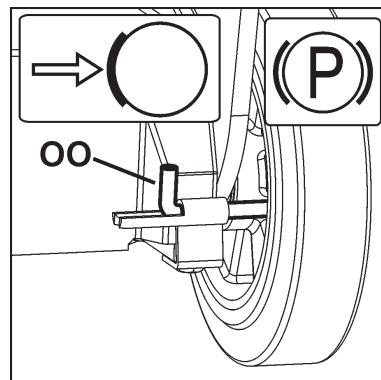
Water tank or saw could be damaged if saw is not lifted properly. Closely monitor for damage while lifting machine.

Parking Machine:

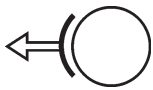
- Machines used in some regions are equipped with a Parking Brake.
- Parking brake is designed to hold machine in position on a slope of 10 degrees or less, with rear of machine on downhill side of slope (maximum weight on braked wheel).

 **Parking Brake - Engage (See Diagram):** Move parking brake lever (OO) from the dis-engaged position:

1. Pull lever (OO) toward center of machine.
2. Rotate lever (OO) upward 180 degrees.
3. A spring allows lever (OO) to move toward outside of machine, to engage against wheel hub.

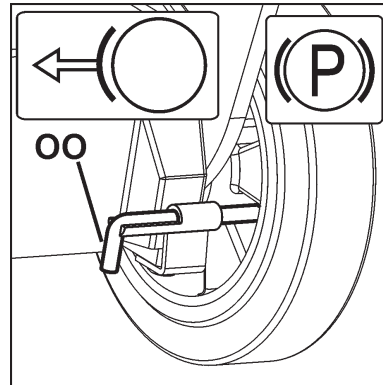


OPERATION



Parking Brake - Dis-engage (See Diagram): Parking brake must be dis-engaged to operate machine.

1. Pull lever (OO) toward center of machine.
2. Rotate lever (OO) downward 180 degrees and release to lock in position.

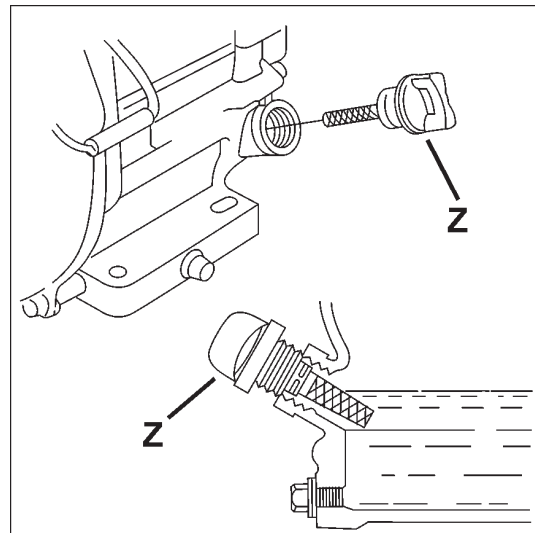


Gasoline Engine Models:

Refer to the engine operating manual for proper engine operation.

FUEL: See engine operation manual for more information.

OIL: Check that engine oil level is correct using the Engine Oil Dipstick (Z). When checking the engine oil level, the Engine Oil Dipstick (Z) should not be screw into the port. Because the engine often operates at an angle, check oil level with engine horizontal. Check frequently to ensure that oil level never falls below lower mark on dipstick. 10W30 oil is recommended. See engine operation manual for more information.



All Models:

Front Pointer (A) must be checked for alignment with blade. Lay a straight edge along Inner Flange (I). Align Front Pointer (A) to straight edge. If required, adjust Front Pointer (A) by loosening nuts that hold Guide Wheel (B) in place. Align Guide Wheel (B) to straight edge and re-tighten nuts.

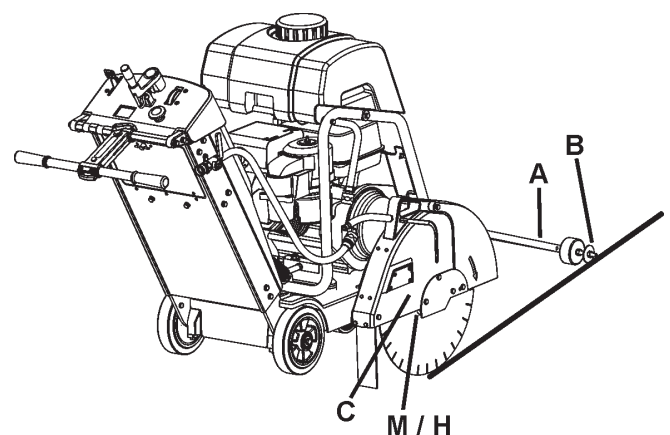
Check that water tubing in the Blade Guard (C) is open and that each side of blade has an adequate supply of water.

Test the water supply for pressure and quantity (flow) before starting the saw.

Saw only as deep as the job specifications require. Sawing deeper than required will add excessive wear the blade and machine.

Cut in increments of 50mm (2 inches) deep until cutting depth specification is reached. This is known as "step cutting".

Saw only in a straight line. Mark cutting line clearly so saw operator can follow line without difficulty. Saw should NOT be twisted from side to side to force blade back on line.



OPERATION

Fitting the Diamond Blade (H):



Install Diamond Blade (H) at job site. Do not transport the machine with the Diamond Blade (H) installed.

1. Open Front Cover (V).
2. Set Engine Start Switch (DD) to OFF ("0") position.
3. Raise Diamond Blade (H) to highest position by turning Blade Depth Control (EE) Counter-Clockwise.
4. Use 13mm Wrench (U) located in Tool Compartment (BB), to loosen and remove four (4) M8 bolts that attach Blade Guard Latch Plate (F). Temporarily remove Blade Guard Latch Plate (F).
5. Raise Blade Guard Front (D).
6. Using the 27mm Blade Shaft Wrench (T), loosen and remove the Blade Shaft Nut (L) that secures the Outer Flange (J) in position.

NOTICE

Blade Shaft Nut (L1) on right hand side of machine has left hand threads. To loosen, turn clockwise.

Blade Shaft Nut (L2)(not shown) on left hand side of machine has right hand threads. To loosen, turn counter-clockwise.

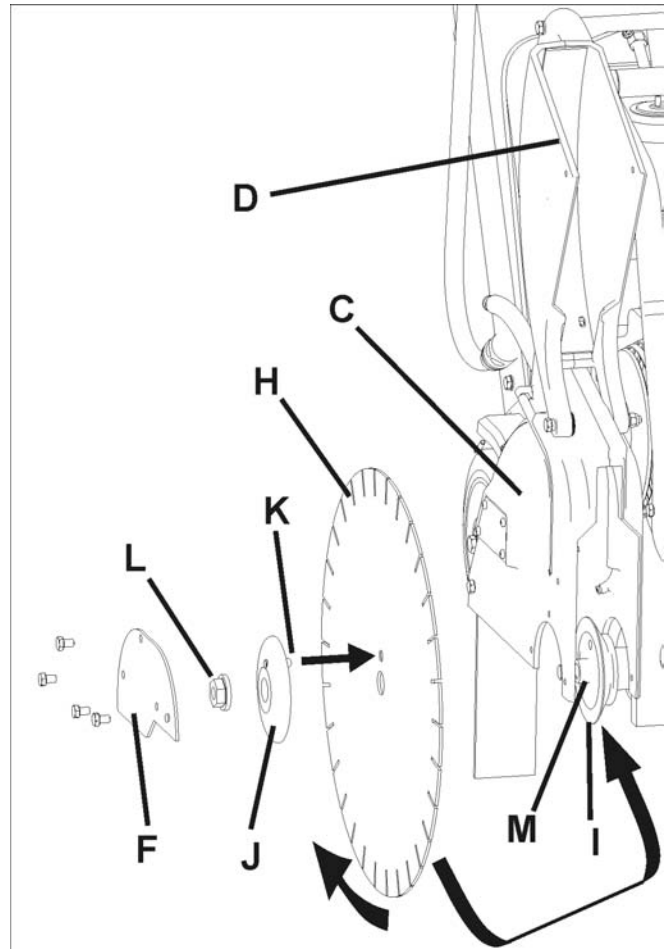
7. Remove Outer Flange (J).
8. Check that Blade Shaft Arbor (M), Inner Flange (I), and Outer Flange (J) are clean and free of foreign objects.
9. Fit Diamond Blade (H) onto Blade Shaft Arbor (M). Direction of rotation is shown by arrows on Diamond Blade (H) and Blade Guard Front (D). See diagram at right.
10. Install Outer Flange (J) onto Blade Shaft Arbor (M). Make sure that Locking Pin (K) passes through Diamond Blade (H) and into Inner Flange (I).
11. Rotate Outer Flange (J) and Diamond Blade (H) in opposite direction of blade rotation to remove backlash.
12. Install Blade Shaft Nut (L). Tighten using 27mm Blade Shaft Wrench (T).

NOTICE

Blade Shaft Nut (L1) on right hand side of machine has left hand threads. To tighten, turn counter-clockwise. Torque to 45 N•m (33 lb-ft) - minimum.

Blade Shaft Nut (L2)(not shown) on left hand side of machine has right hand threads. To tighten, turn clockwise. Torque to 45 N•m (33 lb-ft) - minimum.

13. Lower Blade Guard Front (D).
14. Re-install and tighten Blade Guard Latch Plate (F).



WARNING!

USE ONLY Blades (H) marked with a maximum operating speed greater than blade shaft speed of machine.

DO NOT operate machine without proper guard over Diamond Blade (H)!

DO NOT operate machine with Front Blade Guard (D) raised!

Blade (H) exposure MUST NOT exceed 180 degrees when operating machine!

Contact Surfaces of Blade Shaft Arbor (M), Inner Flange (I), and Outer Flange (J) MUST BE clean and free of foreign objects.

DO NOT transport machine with Blade (H) installed.
DO NOT use conventional (wet) Diamond Blades (H) without water.

READ operation instructions supplied with Blade (H).

DO NOT install Blade (H) unless power source is in OFF (0) position, and dis-connected from power supply.

OPERATION

Starting and cutting with machine:

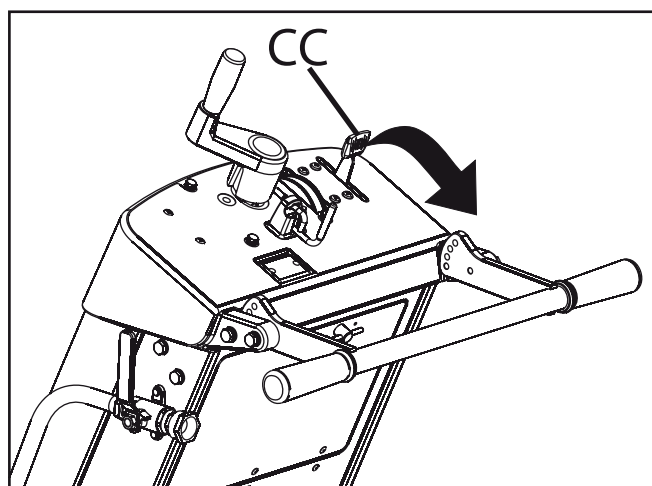
- Using the Depth Control (EE), raise Diamond Blade (H) as high as possible so it will not strike pavement when maneuvering. Pull out on Blade Depth Stop (FF) if required.
- Dis-engage parking brake (if equipped).
- Maneuver machine into position near line to be cut.
- Lower Front Pointer (A) onto cutting surface.
- Set Depth Indicator (GG) (use if desired):
 - 1) Lower machine until diamond blade contacts cutting surface.
 - 2) Set Depth Indicator (GG) dial to align indicator arrows with zero (0). Orange color indicates cutting depth in centimeters. White color indicates inches.
 - 3) Raise saw to maximum height. Now as Diamond Blade (H) is lowered, Depth Indicator (GG) will show cutting depth.
 - 4) Return Diamond Blade (H) to fully raised position.
- Verify that Engine Throttle (CC) is in "START" position.
- Start Engine. See engine manual for more information.
- Visually verify that tool rotation matches directional arrow on blade guard.
- Open Water Control Valve (KK) FULL open. Verify full water flow, and then adjust for proper amount of water on the blade BEFORE you lower the Blade.
- Make final adjustments to align saw with cutting line. Verify that Guide Wheel (B), and Diamond Blade (H) are both on the cutting line.

If water supply is interrupted, stop cutting immediately. Damage to Diamond Blade (H) could occur.

- Lower Diamond Blade (H) into the cut by slowly turning Blade Depth Control (EE) COUNTER-CLOCKWISE.
- When desired depth of cut is reached, push Blade Depth Stop (FF) down to lock it to Blade Depth Control (EE) (if desired).
- Gently push Rear Handle (JJ) to propel machine forward. Watch Diamond Blade (H) and Guide Wheel (B) carefully to assure that machine stays on cutting line.
- When cut is complete, dis-engage Blade Depth Stop (FF).
- Raise Diamond Blade (H) out of cut by slowly turning Blade Depth Control (EE) CLOCKWISE.
- Close Water Control Valve (KK).
- Pull Engine Throttle (CC) rearward to "STOP" position.

NOTICE

If an urgent situation arises during cutting operations STOP machine immediately using Machine Stop (CC).



For STOP of machine, pull Engine Throttle (CC) rearward to "STOP" position.

MAINTENANCE & LUBRICATION

SCHEDULED MAINTENANCE QUICK REFERENCE:

Before performing any maintenance, ALWAYS park the machine on a level surface with the engine "OFF" and the engine switch set in the "OFF" position. Let the machine cool down! Other maintenance and repairs should only be carried out by a qualified technician.

SERVICE DAILY:

1. Check engine oil level.
2. Check blade guard for damage.
3. Check engine air filter, replace if dirty. Service sooner if used in dusty conditions.
4. Clean machine daily.

SERVICE EVERY 50 HOURS:

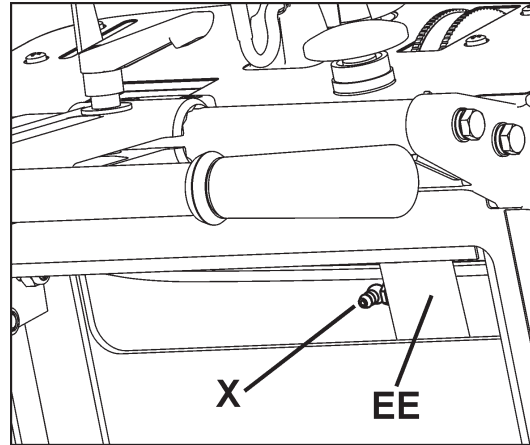
1. Replace engine oil and filter.
2. Clean engine/motor air fins.
3. Lubricate Depth Control Grease Fitting (X).
4. Check wheels for wear or damage.
5. Check blade drive belt tension.

LUBRICATION:



Depth Control Grease Fitting (X): A grease fitting allows lubrication of Blade Depth Control (EE) screw. To access this grease fitting:

- Raise the Diamond Blade (H) to maximum height. Open Tool Compartment (BB), temporarily remove operation manual bag.
- Grease fitting (X) is located near top of Blade Depth Control (EE) Tube.
- Add Grease to the fitting. Raise and lower the machine a few times to circulate the grease through the tube.
- Replace Operation Manual Bag, close Tool Compartment (BB) door.



Engine Oil:

Checking Engine Oil:



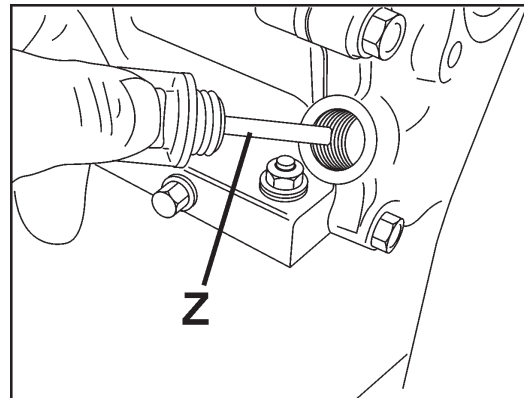
Check that engine oil level is correct.



Engine Oil Dipstick (Z) is located on front of engine. Refill engine oil in dipstick hole. When checking oil level, Engine Oil Dipstick (Z) should not be screwed in.

Because engine often operates at an angle, check oil level with engine horizontal. Check frequently to ensure that oil level never falls below lower mark on dipstick. 10W30 oil is recommended.

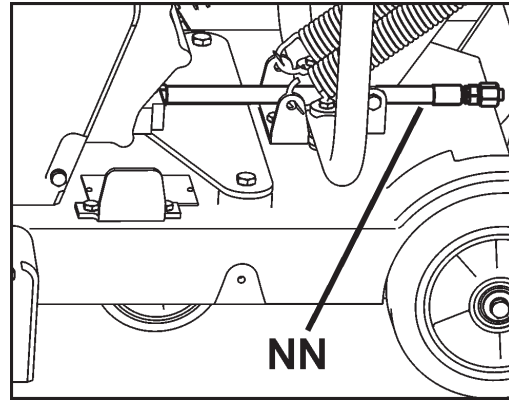
See engine operation manual for more information.



MAINTENANCE & LUBRICATION

Changing Engine Oil:

- Turn machine Start Switch (DD) to OFF (0) position. Let engine cool. Use Depth Control (EE) to tilt machine slightly backwards.
- Reposition Oil Drain Hose (NN) to side of machine. Set a suitable container, large enough to hold engine oil capacity, beside machine to catch oil.
- Open end of Oil Drain Hose (NN), and let oil drain into container. After oil is drained, replace Oil Drain Hose (NN) end, tighten securely, return hose to original position.
- Fill engine with recommended quantity of oil - see engine manual for details.
- Dispose of used oil in an environmentally safe manner.



Blade Shaft Drive Belt Tension: Drive Belt should be re-tensioned after first few hours of operation. Belt Drive Idler (MM) holds tension on Drive Belt.

Tools Required:

- 13mm Wrench (Included with machine).
- 3/8" (9.53mm) Drive Torque Wrench (Not Included)
- 14mm Wrench (Not included with machine).

1. Use 13mm Wrench (U), to remove three (3) M8 bolts that attach Belt Guard (LL). Remove Guard (LL).

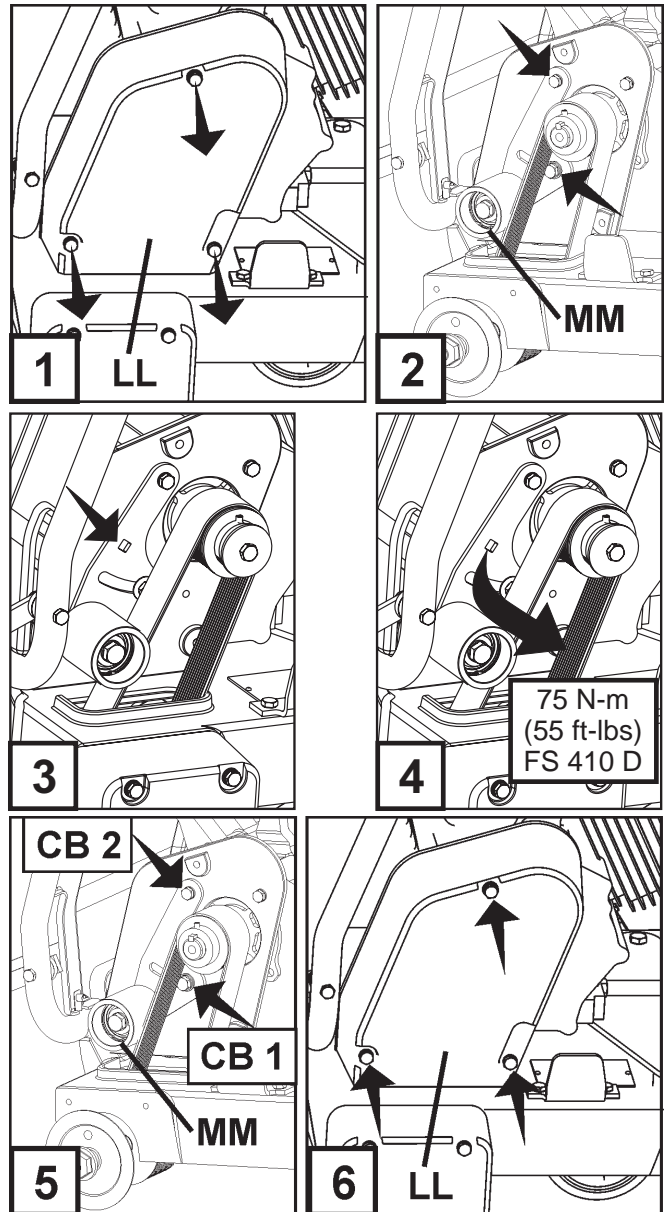
2. Use the 13mm & 14mm wrenches to slightly loosen the two (2) bolts that secure the Belt Drive Idler (MM) [bolts indicated by (2) arrows].

3. Attach Torque Wrench to square hole in Belt Drive Idler (MM).

4. Apply a torque to Drive Idler (MM) so that Drive Idler (MM) is forced against the V-Belt. Torque to the value shown in diagram 4.

5. Tighten center bolt (CB1) to hold Drive Idler (MM) in position, then tighten remaining bolt (CB2).

6. Reinstall Belt Guard (LL). Use 13mm Wrench (U), to tighten three (3) M8 bolts that attach Belt Guard (LL).



MAINTENANCE & LUBRICATION

Governor Speed

It is critical that Governor and throttle on all internal combustion engines be adjusted properly. Engine speed is preset at factory for proper sawing speed. It is NOT normally necessary to change this setting. It should be periodically verified after machine is placed into service. To change the Governor setting, refer to the engine manual.



WARNING!

Overspeeding Diamond Blade (H) can result in blade breakage and/or personal injury to operator and bystanders! To assure proper Governor adjustment, determine correct blade shaft speed (RPM) from the adjacent chart. Follow engine manufacturer's instruction procedure for Governor and throttle setting.

Blade Shaft & Engine Speed

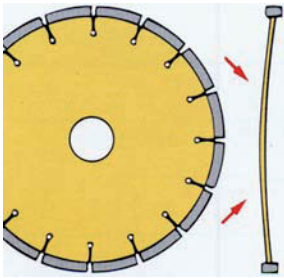
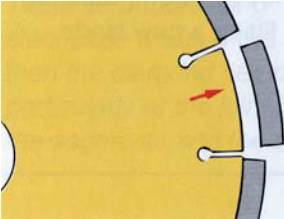
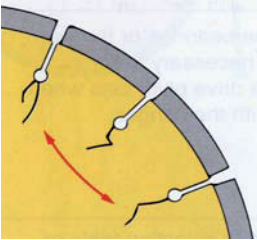


Model	Blade Shaft RPM	Engine RPM
FS 410 D	2600	3600

TROUBLE SHOOTING GUIDE

Engine Will Not Start:

Cause	Action
Electrical switches not in correct position.	Check that BOTH Machine Stop (AA) and Engine Start Switch (DD) are in "ON" position. Machine Stop (AA) should be pulled outward from cowl, and Engine Start Switch (DD) turned to "1" (ON) position.
Fuel valve closed.	Open the fuel valve.
Choke valve open.	Close the choke with cold engine.
Fuel tank empty.	Fill with fuel.
Contamination, or water ice in fuel system.	Clean tank, fuel lines and carburetor. Fill tank with fresh fuel.
Buildup on spark plug electrodes.	Check electrode gap and clean.
Engine has no power or runs unevenly. Air filter Clogged.	Clean or replace the air filter.

Diamond Blade Trouble Shooting:

Problem	Cause & Action
<p>Loss of Tension in Diamond Blade</p> 	<p>Blade being used on misaligned saw. Check for proper saw alignment.</p> <p>Blade is excessively "hard" for material being cut, creating stress on steel blade center. Check that blade is correct for material being cut.</p> <p>Different diameter or undersize blade flanges creates uneven pressure on blade center. Use proper size flange on each side of blade. Never use worn or damaged flanges.</p> <p>Blade operated at improper speed (R.P.M.). Make certain blade shaft is turning at the proper speed (R.P.M.) for blade size. Check R.P.M. using a tachometer.</p> <p>Blade improperly mounted on arbor. Could become bent when flanges are tightened.</p>
<p>Segment Loss</p> 	<p>Blade is too "hard" for material being cut. Use "softer" blade specification.</p> <p>Overheated blade, detected as "blue" color on steel center. Check that water supply is adequate and not blocked.</p> <p>Saw is twisted while cutting. Saw only in a straight line.</p> <p>Blade Bore is worn to an eccentric shape (ovalized). Replace worn blade and worn spindle.</p> <p>Segment knocked off during mounting or transport. Avoid rough handling of diamond blade. Never transport the machine with the diamond blade mounted.</p>
<p>Cracked Blade Core</p> 	<p>Blade is too "hard" for material being cut. Use "softer" blade specification.</p> <p>Overheated blade, detected as "blue" color on steel center. Check that water supply is adequate and not blocked.</p> <p>Saw is twisted while cutting. Saw only in a straight line.</p> <div style="border: 1px solid black; padding: 5px; margin-top: 10px;"> <p style="text-align: center;">! WARNING!</p> <div style="display: flex; align-items: center;">  <p>DO NOT use damaged diamond blades! Death or injury could occur if machine is operated using damaged diamond blades!</p> </div> </div>
<p>Cracked Blade Segments</p> 	<p>Blade is too "hard" for material being cut. Use "softer" blade specification.</p> <p>Blade operated at improper speed (R.P.M.). Make certain blade shaft is turning at the proper speed (R.P.M.) for blade size. Check R.P.M. using a tachometer.</p>

**See
Engine
Operation
Manual.**

TECHNICAL DATA

Technical Data - Sound Level, EMC, and HAV

Sound Level		
MODEL	POWER LEVEL	PRESSURE LEVEL
-----	Lwa (dB) EN 23744	Lpa (dB) EN ISO 11201
FS 410 D	107	91.3
	-	-

EMC

(ElectroMagnetic Compatibility)

This equipment has been tested for EMC using the methods outlined in EN14982:98. The tests found that the equipment did not exceed the radiated emission limits. The saw was tested in a semi-anechoic chamber at NCEE, Lincoln, Nebraska, a FCC registered laboratory. The test report is on file at Husqvarna Construction Products, Olathe, Kansas.

HAV

(Hand-Arm Vibration)

This equipment has been tested for HAV in accordance with ISO 5349. The results are shown in the following chart.

Model	Maximum Vibration (Aeq) in m/s ²	Maximum Exposure Time
FS 410 D	3.5	+51%

The **Aeq** value is the measured continuous vibration at the extended handlebars expressed as acceleration with the units of m/s² (meters per second squared). The measured values were taken with a fully warmed engine, running at maximum rated RPM and a 500-mm blade. The measurement point was the grip of the extended handlebars. Instrumentation was a Larson Davis model HVM100 Human Vibration Meter and the SEN021 Triaxial Accelerometer. The accelerometer was secured to a hand adapter, which allows it to sense the same magnitude of vibration as the operator's hand.


The **Maximum Exposure Time** is a calculated value referenced to an 8-hour workday and the "daily exposure action value" of 2.5 m/s² as defined in Directive 2002/44/EC of 25 June 2002.

The time weighted daily vibration exposure time can be found with the following formula:

$$\text{Maximum Exposure Time} = (2.5/\text{Aeq})^2 \times 8 \text{ hours}$$

Over exposure to vibrations can result in blood vessel or nerve injury to persons suffering with blood circulation problems. Seek medical attention if you experience physical symptoms that can be related to over exposure to vibrations. Examples of symptoms are numbness, lack of feeling, tingling, tickling, pain or a reduction of normal strength, or changes in skin color. These symptoms normally appear in the fingers, hand or wrists.

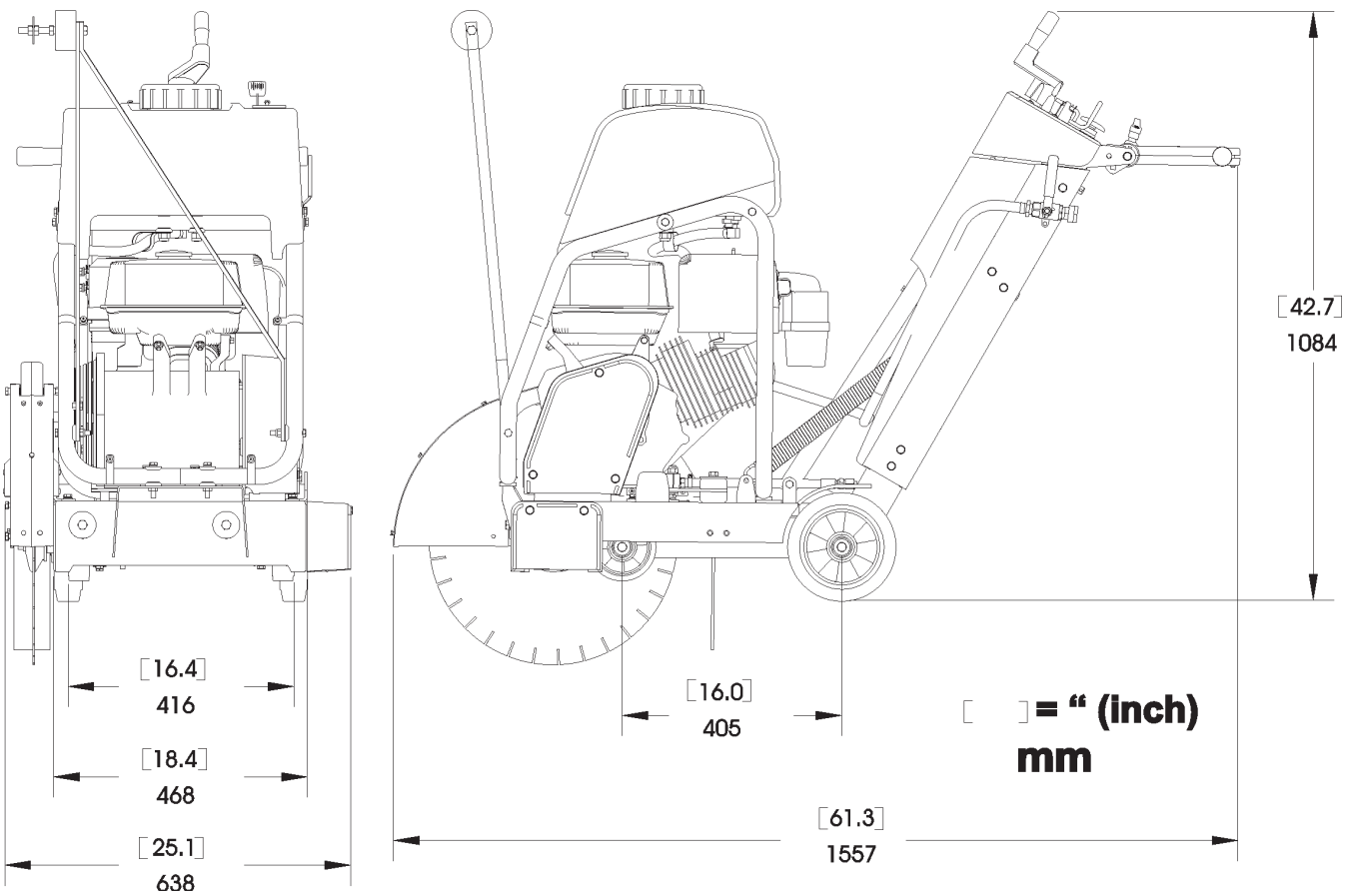
TECHNICAL DATA

 Machine Mass		
Model	Nominal Mass (kg)	Maximum Mass (kg)
FS 410 D	142	176
	-	-

Cutting Depth	
Blade Size	Maximum Blade Cutting Depth
500 mm (20")	189 mm (7,6")

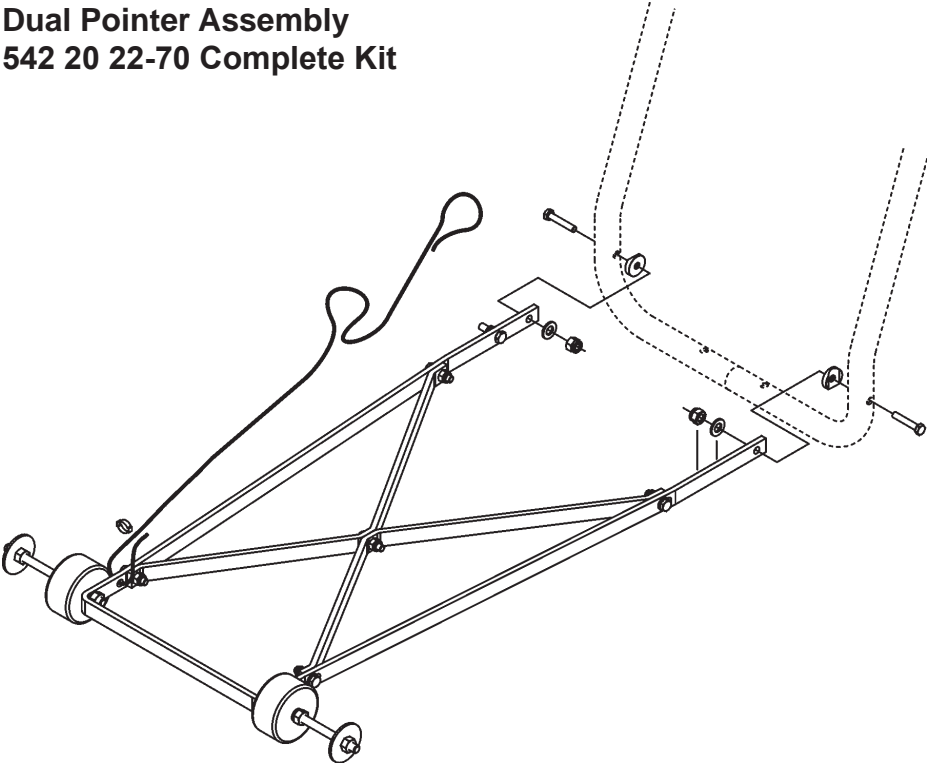
Blade Shaft & Engine Speed		
Model	Blade Shaft RPM	Engine RPM
FS 410 D	2600	3600

Water Tank Capacity
25 Liters (6.6 U.S. Gallons) (5.5 U.K. Gallons)

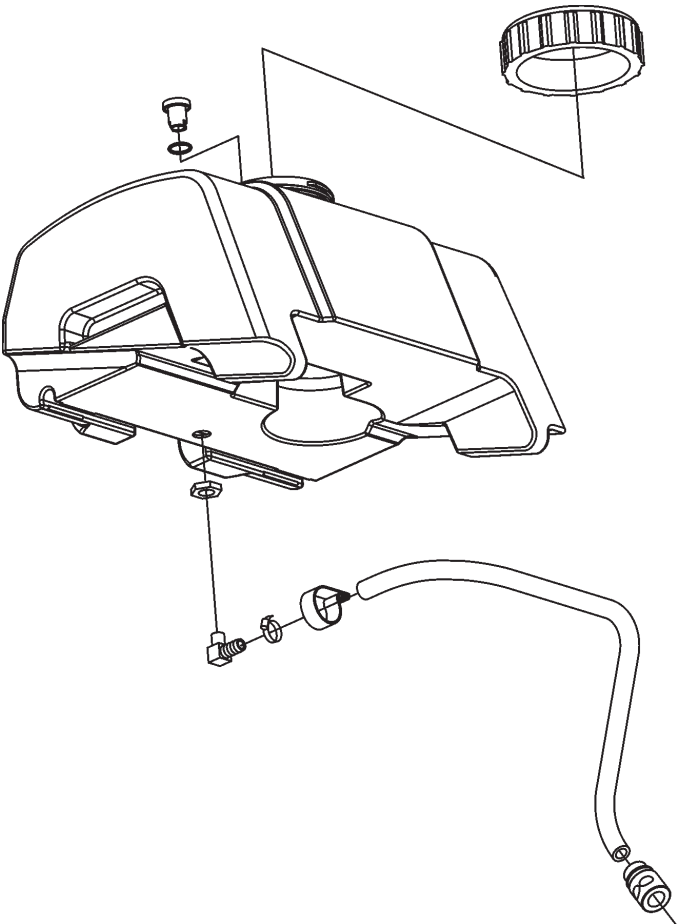


ACCESSORIES

Dual Pointer Assembly
542 20 22-70 Complete Kit



Water Tank Assembly
541 20 82-86 Complete Kit



CONFORMITY CERTIFICATES

American National Standards Institute : For units used in the United States, this machine has been designed to comply with American National Standards Institute ANSI B7.1-2000, "Safety Requirements for the Use, Care and Protection of Abrasive Wheels". This standard can be purchased by contacting the American National Standards Institute at the address shown below:

American National Standards Institute
25 West 43rd Street, 4th floor
New York, NY 10036

Telephone: 212.642.4900
Fax: 212.398.0023
www.ansi.org

CALIFORNIA AIR RESOURCES BOARD (CARB): This machine is considered a preempt Off-Road Application as relating to CARB standards. Under construction equipment, and in particular, as a concrete saw (Saws: concrete, masonry, cutoff), with engine power less than 19KW (25 hp), CARB standards do not apply to this machine.

For more information see the website <http://www.arb.ca.gov/msprog/offroad/preempt.htm>

EUROPEAN UNION (EU): For units used in countries that are members of the European Union (EU), this machine is designed to meet the EU directives as declared below.



HUSQVARNA CONSTRUCTION PRODUCTS

DECLARATION OF CONFORMITY WITH THE "SAFETY OF MACHINERY" DIRECTIVE (Directive 98/37/EC) and the rules governing its transposition


MANUFACTURER

Husqvarna Construction Products North America
17400 West 119th Street, Olathe, Kansas 66061 USA
herewith declares that the machine(s) designed hereunder

FS 410 D

conforms to the "SAFETY OF MACHINERY" directive (98/37/EC), the "LOW VOLTAGE EQUIPMENT" directive (73/23/EEC), the "ELECTROMAGNETIC COMPATIBILITY" (EMC) directive (89/336/EEC) in accordance with European standards EN 50081/1 and EN 55022, and the "NOISE" directive (2000/14/EEC) in accordance with European standard EN ISO 3744.

Vice President, Operations



James H. McMenemy

01May2007, Olathe, Kansas USA

CONTACT INFORMATION



Construction Products, North America

Corporate Office

17400 West 119th Street, Olathe, Kansas 66061 USA

Corporate Office: 913-928-1000

Corp. Office Fax: 913-438-7951

www.husqvarna.com

For local service, please contact your local Husqvarna Construction Products representative.

Para efectuar un servicio local, póngase en contacto con su representante local de Husqvarna Construction Products.

Pour toute réparation, contacter le représentant local de Husqvarna Construction Products.

Für Service vor Ort wenden Sie sich bitte an Ihren örtlichen Vertreter von Husqvarna Construction Products.

Neem voor plaatselijke service contact op met uw plaatselijke vertegenwoordiger van de constructieproducten van Husqvarna.

Per assistenza, rivolgersi al rappresentante di zona della Husqvarna Construction Products.

För service på platsen, kontakta din lokala representant för Husqvarna Construction Products.

Para obter serviço técnico local, contactar o representante da Husqvarna Construction Products

Europa / Europe:

Husqvarna Construction Products

SE-433 81 Partille, Sweden

Tel: +46 31 94 90 00

Fax: +46 31 94 90 50

Asia Pacific:

Husqvarna Construction Products, Australia Pty Ltd

25-31 Kinkaid Avenue,
North Plympton, Adelaide,
South Australia 5037

Tel: +61 (0)8 8375 1000

Fax: +61 (0)8 8371 0990

The Americas:

Husqvarna Construction Products, North America

17400 West 119th Street, Olathe, Kansas 66061 USA

Toll-Free Telephone: 800-288-5040, Telephone: 913-928-1300

Fax: 913-438-7938

CONTENIDO e INTRODUCCIÓN

Sección	Contenido	Página
Contenido e introducción.....		37
Símbolos y calcomanías.....		38-42
Instrucciones de seguridad.....		43-46
Identificación de piezas (qué es qué).....		48-49
Ensamblado		50-54
Funcionamiento.....		55-59
Mantenimiento y lubricación		60-62
Guía para la determinación y resolución de problemas		63
Diagrama de cableado		64
Datos técnicos		65-66
Accesorios		67
Certificados de cumplimiento		68
Información de contacto.....		69

Introducción

Gracias por adquirir su nueva máquina de Husqvarna Construction Products. Este manual, al igual que la máquina, incluyen importantes mensajes de seguridad. Por favor léalos detenidamente. Un mensaje de seguridad le alerta sobre peligros potenciales que podrían resultar en lesiones para usted u otras personas. Cada mensaje está precedido por un símbolo o por el símbolo de alerta de seguridad (⚠) además de una de estas dos palabras: **ADVERTENCIA** o **PRECAUCIÓN**.

Estas palabras de aviso significan:

⚠ ADVERTENCIA: indica una situación peligrosa que, de no evitarse, PODRÍA resultar en muerte o lesiones graves.

⚠ PRECAUCIÓN: indica una situación peligrosa que, de no evitarse, PODRÍA resultar en lesiones leves o moderadas. También se puede utilizar como alerta contra prácticas inseguras.

Cada mensaje indica cuál es el peligro, qué puede ocurrir y qué puede hacer usted para evitar o reducir las lesiones. Otros mensajes importantes están precedidos por la palabra **AVISO**.

AVISO significa:

AVISO: indica una situación peligrosa que, de no evitarse, podría resultar en daños a la propiedad. La no observancia de estas instrucciones puede resultar en daños a la máquina u otra propiedad.

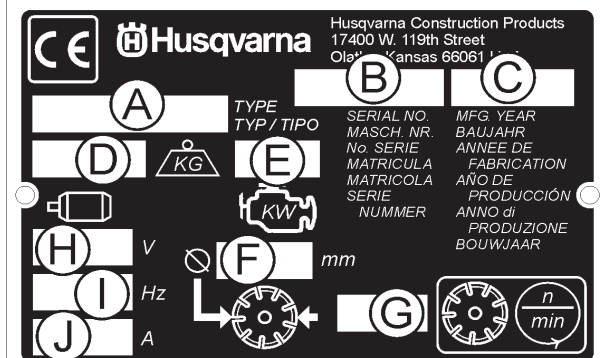
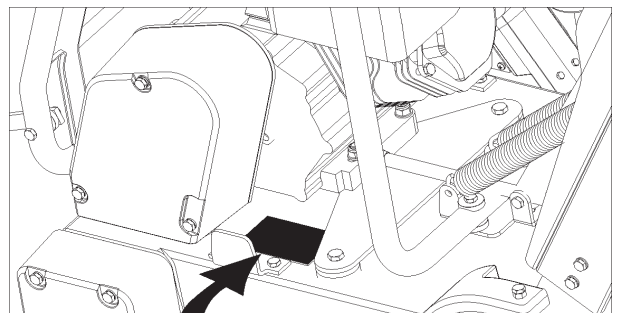
El usuario debe inspeccionar y limpiar periódicamente las etiquetas de seguridad para mantener la legibilidad a una distancia segura. Si la etiqueta está gastada, dañada o es ilegible, deberá cambiarse.

⚠ ¡ADVERTENCIA!

Antes de operar la máquina, lea íntegramente y comprenda las instrucciones de este manual de operación y el manual de operación del motor provisto con el mismo.

¡Familiarícese con la máquina antes de utilizarla!

Identificación del modelo: anote la información de la placa con el número de serie, que se ilustra a continuación, para referencia futura.



- A. Modelo: _____
- B. N.º de serie de la máquina: _____
- C. Año de fabricación _____
- D. Peso de la máquina (kg) _____
- E. Potencia del motor (kilovatios) _____
- F. Diámetro de la cuchilla (mm) _____
- G. Velocidad de la cuchilla (revoluciones / minuto) _____
- H. Voltaje del motor eléctrico (si se incluye) _____
- I. Fase del motor eléctrico (si se incluye) _____
- J. Amperaje del motor eléctrico (si se incluye) _____

Información adicional que no se incluye en la placa de serie de la máquina:

N.º de serie del motor: _____

Consultar el Manual de operación del motor para determinar su ubicación.

Fecha de compra: _____

SÍMBOLOS y CALCOMANÍAS



Lea las instrucciones de uso antes de operar la máquina por primera vez.



Este símbolo indica que la máquina cumple con las directivas pertinentes de la Unión Europea.



Obligatorio



Indicación



Prohibición



Triángulo de advertencia



Usar gafas protectoras



Usar protección respiratoria



Es obligatorio utilizar protección auditiva



Usar casco de protección



Usar calzado protector



Usar indumentaria apropiada



Quite la cuchilla antes de levantar, cargar, descargar y transportar la máquina



Parada de la máquina, detener la transmisión



Usar en un área bien ventilada



No usar en áreas inflamables



Maquinaria peligrosa, mantenga las manos y los pies alejados



Silenciador caliente. Puede causar quemaduras y / o incendiar materiales. Evítese el contacto



Advertencia, gas de escape tóxico



Área limitada para el personal de trabajo



No fumar



No operar sin el protector de cuchilla instalado



Siempre mantenga todos los protectores instalados



Suministro de agua Encendido (ON)



Suministro de agua Apagado



Suministro de agua

SÍMBOLOS y CALCOMANÍAS

	Conmutador de seguridad de agua de la cuchilla		Interruptor eléctrico – Arranque (Start).
	Temperatura del refrigerante del motor		Las reparaciones se deben realizar exclusivamente por un distribuidor autorizado
	Mantenga el área de trabajo limpia / bien iluminada, quite todo elemento que ponga en riesgo la seguridad		Luz alta
	Nivel de ruido peligrosamente elevado		Cuchilla adiamantada
	Preste mucha atención al cuidado y protección de la máquina antes de ponerla en marcha		Diámetro de la cuchilla
	Quite toda herramienta del área o de la máquina		Enganche de la cuchilla
	Presión de aceite del motor		Diámetro de la polea
	Añada aceite		Revoluciones por minuto, velocidad de rotación
	Varilla de medición, mantenga el nivel de aceite correcto		Diámetro de la brida de la cuchilla
	Punto de lubricación		Tope de profundidad de la cuchilla
	Alta velocidad		Indicador de profundidad de corte - Profundidad de corte
	Baja velocidad		Freno de estacionamiento
	Interruptor eléctrico – Apagado (OFF)		Freno de estacionamiento activado
	Interruptor eléctrico – Encendido (ON)		Freno de estacionamiento desactivado

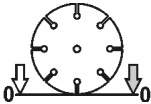
SÍMBOLOS y CALCOMANÍAS



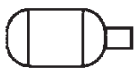
Peso de la máquina (kilogramos)



Terminal positivo de la batería



Indicador de profundidad de la
cuchilla – Cero



Motor eléctrico



Motor



Velocidad del motor,
revoluciones / minuto



Puesta en marcha del motor



Usar combustible sin plomo solamente

SÍMBOLOS y CALCOMANÍAS



P/N 542 19 07-33
Location: Front of Cowl

FS 410 D

P/N 504 56 97-01
Location: Left and Right Side of Frame
(FS 410 D Only)

For local service, please contact your local Husqvarna Construction Products representative.

Para efectuar un servicio local, póngase en contacto con su representante local de Husqvarna Construction Products.

Pour toute réparation, contacter le représentant local de Husqvarna Construction Products.

Für Service vor Ort wenden Sie sich bitte an Ihren örtlichen Vertreter von Husqvarna Construction Products.

Neem voor plaatselijke service contact op met uw plaatselijke vertegenwoordiger van de constructieproducten van Husqvarna.

Per assistenza, rivolgersi al rappresentante di zona della Husqvarna Construction Products.

För service på platsen, kontakta din lokala representant för Husqvarna Construction Products.

Para obter serviço técnico local, contactar o representante da Husqvarna Construction Products local.

Europa / Europe:

Husqvarna
Construction Products
SE-433 81 Partille, Sweden
Tel: +46 31 94 90 00
Fax: +46 31 94 90 50

Asia Pacific:

Husqvarna
Construction Products,
Australia Pty Ltd
25-31 Kinkaid Avenue,
North Plympton, Adelaide,
South Australia 5037
Tel: +61 (0)8 8375 1000
Fax: +61 (0)8 8371 0990

The Americas:

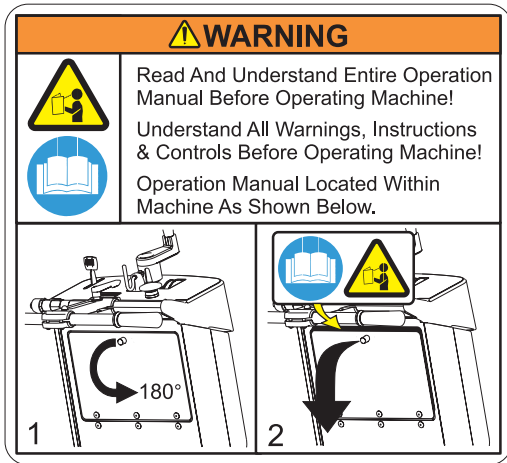
Husqvarna Construction Products,
North America
17400 West 119th Street,
Olathe, Kansas 66061 USA
Toll-Free Telephone: 800-288-5040,
Telephone: 913-928-1300
Fax: 913-438-7938

P/N 542 19 06-46 Local Service
Location: Side of Frame



P/N 542 19 05-88
Location: Depth Gauge

SÍMBOLOS y CALCOMANÍAS



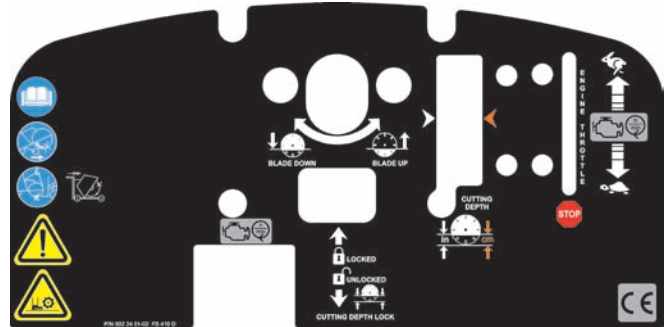
P/N 542 19 05-93
Location: Rear of Cowl



P/N 542 16 90-65
Location: Top of Belt Guard



P/N 542 19 06-17
Location: Water Tank (If Equipped)



P/N 502 24 01-02
Location: Top of Cowl



P/N 542 19 06-38
Location: Rear of Cowl






P/N 543 04 57-88 **SOUND LEVEL - 108dBA**
Location: Upper Right Hand Frame




P/N 542 16 12-35
Location: Upper Right Hand Frame


INSTRUCCIONES DE SEGURIDAD


Uso general

 ¡ADVERTENCIA!	
	Antes de operar la máquina, lea íntegramente y comprenda este manual de operación y el manual de operación del motor provisto con el mismo.
	¡Familiarícese con la máquina antes de utilizarla!


	El operador debe utilizar equipo protector personal e indumentaria acorde al tipo de trabajo a realizar. Es obligatorio el uso de equipo protector personal, como protección auditiva y ocular.
---	--

	El área de trabajo debe estar completamente despejada, bien iluminada y sin elementos que presenten un riesgo para la seguridad.
--	---


	Toda persona no involucrada con el trabajo debe abandonar el área.
---	---

	¡ADVERTENCIA! No toque la herramienta cuando la máquina esté en funcionamiento.
---	--

Seguridad sobre el combustible:

	¡ADVERTENCIA! Preste atención al manipular combustible. Recuerde que existen riesgos de incendio, explosión e inhalación de vapores.
---	---

- Almacene combustible sólo en contenedores aprobados para dicho fin.
- Cargue combustible en la máquina sólo cuando el motor está APAGADO. Nunca quite la tapa de combustible y cargue el tanque cuando el motor está en funcionamiento.
- Cargue siempre combustible en un área bien ventilada.
- Nunca cargue el tanque de combustible en un espacio cerrado.
- Antes de cargar combustible permita que el motor se enfríe.

	Nunca cargue combustible cerca de chispas o llamas. No use la máquina en un área inflamable.
---	---

	No fume al cargar combustible o usar la máquina.
---	---

- Antes de arrancar el motor, desplace la máquina a 3 metros (10 pies) del área de carga de combustible.
- Nunca arranque la máquina bajo las condiciones siguientes:

- 1) Si derramó combustible sobre la misma. Quítelo con un trapo y permita que se evapore el resto.
- 2) Si derramó combustible sobre usted o sobre sus ropas. Lave con agua y jabón toda parte del cuerpo que haya estado en contacto con el combustible.
- 3) Si la máquina pierde combustible. Controle periódicamente para determinar si existen pérdidas a través de la tapa o de las líneas de combustible.

- Almacene y transporte la máquina y el combustible de manera tal que no existan riesgos de pérdidas o vapores que puedan entrar en contacto con chispas o llamas; por ejemplo, máquinas o motores eléctricos, relés / interruptores eléctricos o calderas.



ADVERTENCIA SOBRE EL POLVO

El proceso de cortado, especialmente al cortar EN SECO, produce polvo que se desprende del material que se corta, que normalmente contiene sílice. El sílice es un componente básico de la arena, cuarzo, arcilla de ladrillo, granito y muchos otros minerales y rocas. La exposición a cantidades excesivas de este polvo puede causar:

- Enfermedades respiratorias (que afectan su capacidad respiratoria), entre otras bronquitis crónica, silicosis y fibrosis pulmonar por exposición al sílice. Estas enfermedades pueden ser mortales;
- Irritación de la piel y urticaria;
- Cáncer, según el NTP* y el IARC*

* Programa de Toxicología Nacional, Agencia Internacional para la Investigación sobre el Cáncer

Tome medidas preventivas

- Evite el contacto con la piel o la inhalación de polvo, pulverizaciones y vapores;
- Cuando sea posible haga cortes húmedos para minimizar el polvo;
- Use protección respiratoria adecuada como máscaras diseñadas para filtrar partículas microscópicas, y asegúrese de que todas las personas en el área utilicen la misma protección (Véase OSHA [Secretaría de Seguridad y Sanidad Ocupacional] 29 CFR Parte 1910.1200).

Advertencia Prop 65 de California:

El uso de este producto puede causar la exposición a materiales que, según el estado de California, pueden causar cáncer y/o defectos de nacimiento y otros daños reproductivos.

INSTRUCCIONES DE SEGURIDAD



ADVERTENCIA GAS DE ESCAPE TÓXICO



ESTA SIERRA SE ENVÍA DE FÁBRICA SIN CONVERTOR CATALÍTICO.

EL MOTOR PRODUCE EMISIONES DE ESCAPE DE MONÓXIDO DE CARBONO Y NO ES SEGURO UTILIZARLO EN ÁREAS CERRADAS. AUNQUE EL USO DE UN CONVERTOR CATALÍTICO DISMINUYE LAS EMISIONES DE ESCAPE DE MONÓXIDO DE CARBONO, NO ES SEGURO UTILIZAR LA MÁQUINA EN ÁREAS CERRADAS.

UTILÍCESE SOLAMENTE EN ÁREAS BIEN VENTILADAS. LA CALIDAD DEL AIRE EN EL ÁREA DE TRABAJO DEBE CUMPLIR CON LAS INDICACIONES DE OSHA 29 CFR 1910.1000 SEGÚN LA TABLA Z-1, LÍMITES DE CONTAMINANTES DEL AIRE.

SUPERVISE LA CALIDAD DEL AIRE DEL ÁREA DE TRABAJO PARA ASEGURARSE DE QUE CUMPLA CON LAS REGLAMENTACIONES. DE LO CONTRARIO SE PUEDEN PRODUCIR RIESGOS MORTALES Y CAUSAR LESIONES PERMANENTES O MUERTE.

Información general

El monóxido de carbono (CO) tiene la particularidad de ser uno de los pocos gases que se usan comúnmente en la industria y que es a la vez elevadamente tóxico (venenoso) e inodoro. Cuando se inhala, el CO actúa como un químico asfixiante al combinarse particularmente con la hemoglobina en el torrente sanguíneo. Como resultado, la hemoglobina no puede transportar la cantidad normal de oxígeno, lo cual resulta en la oxigenación insuficiente de los tejidos. Entre los síntomas de exposición a niveles bajos de CO se incluye dolores de cabeza, mareos, confusión y náusea. **No obstante, la exposición continua o a niveles más elevados puede resultar en pérdida de conocimiento, lesiones permanentes y muerte.** Dados los riesgos a la salud relativos a la inhalación de CO, la Secretaría de Seguridad y Sanidad Ocupacional (OSHA) ha impuesto límites de exposición personal. Los límites de exposición de la OSHA, que se especifican en 29 CFR 1910.1000 (Revisión 1998), permiten un límite superior de 200 PPM y un peso ponderado promedio (TWA, por sus siglas en inglés) de 35 PPM por turno de 8 horas/semana laboral de 40 horas. Se recomienda especialmente consultar el OSHA 29 CFR 1910.1000 (Código de reglamentaciones federales) para obtener más información sobre los límites de exposición a diversos materiales peligrosos. Ante sospecha de intoxicación por CO, traslade a la víctima inmediatamente al aire fresco y busque atención médica de emergencia.

Ventilación adecuada:

ESTA SIERRA SE ENVÍA DE FÁBRICA SIN UN CONVERTOR CATALÍTICO. Es importante saber que las sierras con convertidores catalíticos reducen las emisiones de CO e hidrocarburos (HC). El escape contiene aún CO. Si el espacio de trabajo es muy reducido o no cuenta con la ventilación adecuada, el CO se puede acumular hasta finalmente sobrepasar los límites estipulados por la OSHA. En dichos casos se deben tomar las medidas necesarias para quitar a los trabajadores de las áreas con concentraciones elevadas. Los operadores y los supervisores del área de trabajo deben tomar las precauciones necesarias para asegurar la adecuada ventilación del área en todo momento. Se deben utilizar monitores para la detección de monóxido de carbono a fin de determinar si se cuenta con la ventilación adecuada.



ADVERTENCIA RIESGOS AUDITIVOS

DURANTE EL USO NORMAL DE ESTA MÁQUINA EL OPERADOR PODRÁ ESTAR EXPUESTO A NIVELES DE RUIDO DE **85 dB (Acústicos)** O SUPERIORES. SE PUEDEN PRODUCIR DAÑOS AUDITIVOS TEMPORALES Y/O PERMANENTES. SE REQUIERE EL USO DE PROTECCIÓN AUDITIVA.

INSTRUCCIONES DE SEGURIDAD

¡LA SEGURIDAD ES LO PRIMERO!



ADVERTENCIAS LOS SÍ Y LOS NO



ADVERTENCIA: EL INCUMPLIMIENTO DE ESTAS ADVERTENCIAS E INSTRUCCIONES DE OPERACIÓN PUEDE RESULTAR EN MUERTE O ACCIDENTES PERSONALES GRAVES.

SÍ

- SÍ Lea íntegramente este manual del operador antes de utilizar la máquina. Lea y asegúrese de comprender todas las advertencias, instrucciones, controles y definiciones de símbolos que se incluyen en este manual y en la máquina.
- SÍ Siempre provea una copia de este manual al usuario del equipo. Si necesita copias adicionales, llame GRATIS al 1-800-288-288-5040 (en los Estados Unidos) o al + 1-913-928-1300 (desde el extranjero), o consulte la sección "Información de contacto" en este manual.
- SÍ Mantenga todo los protectores en su sitio y en buen estado.
- SÍ Utilice protección aprobada para los oídos, ojos, cabeza y sistema respiratorio.
- SÍ Lea y comprenda todas las advertencias e instrucciones de la máquina.
- SÍ Mantenga toda parte de su cuerpo alejada de la máquina y de toda otra pieza móvil.
- SÍ Sepa cómo detener la máquina rápidamente en caso de una emergencia.
- SÍ Apague el motor y deje que se enfríe antes de volver a cargar combustible o de realizar tareas de mantenimiento.
- SÍ Antes de instalar la cuchilla, inspecciónela, al igual que las bridas y ejes, para determinar si hay daños.
- SÍ Utilice el tamaño de brida para cuchilla ilustrado para cada medida de cuchilla.
- SÍ Utilice solamente cuchillas adiamantadas con centro de acero para usar con sierras para hormigón.
- SÍ Utilice solamente las bridas para cuchilla provistas con la sierra. Nunca utilice bridas para cuchillas que estén dañadas o gastadas.
- SÍ Utilice solamente cuchillas indicadas para una velocidad máxima de operación superior a la velocidad del eje de la cuchilla. Para verificar la velocidad, controle las revoluciones por minuto del eje de la cuchilla y los diámetros de la polea y de la brida de la cuchilla.
- SÍ Para verificar la configuración del accionador, controle las revoluciones por minuto del eje de la cuchilla, el diámetro de las poleas y el diámetro de la brida de la cuchilla.
- SÍ Lea los materiales e instrucciones de seguridad que acompañan cada cuchilla que se utilice con esta máquina.
- SÍ Inspeccione cada cuchilla cuidadosamente antes de utilizarla. Ante signos de daños o desgaste inusual, **NO USE LA CUCHILLA.**
- SÍ Monte la cuchilla fuerte y firmemente, apriete la tuerca del eje con una llave.
- SÍ Antes de montar la cuchilla en la sierra, asegúrese de que tanto la cuchilla como las bridas estén limpias y sin restos de polvo y suciedad.
- SÍ Use la cuchilla correcta para el tipo de trabajo a realizar. Consulte con el fabricante de la cuchilla para saber si ésta es correcta o no.
- SÍ Tenga cuidado y siga las instrucciones al cargar y descargar la máquina.
- SÍ Opere esta máquina solamente en áreas bien ventiladas. La inhalación de gases de escape tóxicos puede causar la muerte.
- SÍ Indique a las personas en el área en dónde se deben ubicar cuando la máquina está en funcionamiento.
- SÍ Establezca un programa de capacitación para todos los operadores de esta máquina.
- SÍ Solicite a toda persona no involucrada en el trabajo que se retire del área. Nunca permita que una persona se sitúe delante o detrás de la cuchilla cuando el motor está en funcionamiento.
- SÍ Antes de arrancar el motor, asegúrese de que la cuchilla no esté en contacto con ningún elemento.
- SÍ Tenga cuidado al levantar y transportar la máquina.
- SÍ Siempre ate la máquina al transportarla.
- SÍ Tenga cuidado y siga las instrucciones al preparar o transportar la máquina.
- SÍ Asegúrese de que el servicio y mantenimiento sea realizado por personal competente.
- SÍ Antes de montar la cuchilla, verifique que el agujero para el árbol coincida con el husillo de la máquina.
- SÍ Antes de comenzar a cortar, verifique siempre que no haya riesgos ocultos, como conductos eléctricos o de gas. Póngase siempre en contacto con las empresas de servicios públicos locales antes de operar la máquina en áreas desconocidas.
- SÍ Desplace la máquina a 3 metros (10 pies) como mínimo del punto de abastecimiento de combustible antes de poner en marcha el motor, y asegúrese de que la tapa de combustible está en la máquina y debidamente apretada.
- SÍ Sólo levante la máquina desde el punto de izado indicado.
- SÍ Limpie la máquina todos los días después de usarla.
- SÍ Utilice el tamaño de brida adecuado para cada medida de cuchilla. No utilice nunca bridas para cuchillas que estén dañadas o gastadas.
- SÍ Tenga cuidado al manipular combustible.
- SÍ Sólo corte en línea recta y a la profundidad que requieran las especificaciones del trabajo.

INSTRUCCIONES DE SEGURIDAD

¡LA SEGURIDAD ES LO PRIMERO!



ADVERTENCIAS LOS SÍ Y LOS NO



ADVERTENCIA: EL INCUMPLIMIENTO DE ESTAS ADVERTENCIAS E INSTRUCCIONES DE OPERACIÓN PUEDE RESULTAR EN MUERTE O ACCIDENTES PERSONALES GRAVES.

NO

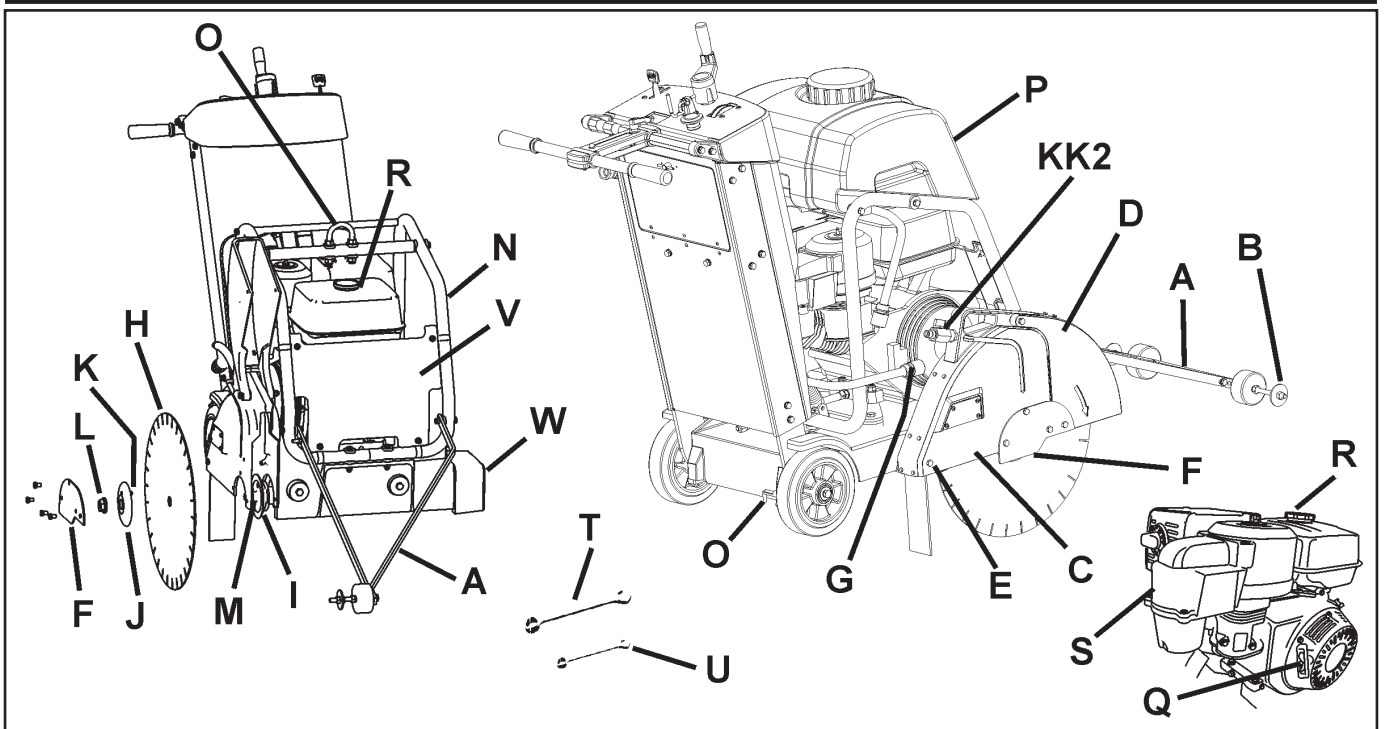
- NO** Opere la máquina si no ha leído y comprendido el manual del operador.
- NO** Opere la máquina si el protector de la cuchilla u otros elementos protectores no están en su sitio.
- NO** Permanezca detrás o delante del recorrido de la cuchilla cuando el motor está en funcionamiento.
- NO** Deje la máquina sin supervisar cuando el motor está en funcionamiento.
- NO** Realice tareas de mantenimiento en la máquina cuando el motor está en funcionamiento.
- NO** Opere la máquina si está cansado, fatigado o bajo la influencia de drogas o alcohol.
- NO** Use una cuchilla para cortes húmedos sin contar con el suministro de agua correspondiente para la misma.
- NO** Sobrepase la velocidad que se indica para cada tamaño de cuchilla. La velocidad excesiva puede resultar en la rotura de la cuchilla.
- NO** Opere la máquina si no está seguro cómo manejarla.
- NO** Use equipo o cuchillas dañadas.
- NO** Toque o trate de detener una cuchilla en movimiento con la mano.
- NO** Incline, presione, bloquee o tuerza la cuchilla en un corte.
- NO** Transporte la máquina cortadora sin antes quitarle la cuchilla.
- NO** Use una cuchilla si se ha caído o está dañada.
- NO** Use cuchillas con puntas de carburo metálico.
- NO** Toque una cuchilla adiamantada de corte en seco inmediatamente después usarla. Estas cuchillas necesitan varios minutos para enfriarse después de cada corte.
- NO** Utilice bridas para cuchillas que estén dañadas o gastadas.
- NO** Permita que otras personas estén cerca de la máquina durante el arranque, recarga de combustible o cuando la máquina está en funcionamiento.
- NO** Opere la máquina en un área cerrada. La inhalación de gases de escape tóxicos puede causar la muerte.
- NO** Opere la máquina cerca de elementos inflamables. Las chispas pueden causar un incendio o una explosión.
- NO** Permita que la cuchilla sobresalga más de 180° de la protección.
- NO** Opere la máquina sin la protección de la correa o de la cuchilla.
- NO** Opere la máquina si no está capacitado específicamente para operarla.
- NO** Use una cuchilla que ha sido recalentada (el núcleo tiene un color azulado).
- NO** Acumule material en la cuchilla.
- NO** Haga cortes con el lateral de la cuchilla.
- NO** Remolque la máquina detrás de un vehículo
- NO** Opere la máquina si se quitado alguna protección.
- NO** Haga cortes de más de 1" (25 mm) de profundidad por pase con una cuchilla para cortes en seco Para cortes profundos hágalo en varios pasos.
- NO** Opere la máquina si está bajo la influencia de drogas o alcohol.

Esta sierra ha sido diseñada para ciertas aplicaciones solamente. **NO** modifique la sierra ni la utilice para aplicaciones diferentes de las que fuera diseñada. Ante toda pregunta sobre su aplicación, **NO** use la sierra sin antes consultar por escrito con Husqvarna Construction Products y aguarde nuestra respuesta.

Husqvarna Construction Products North America
17400 West 119th Street, Olathe, Kansas 66061 Estados Unidos

NOTAS

IDENTIFICACIÓN DE LAS PIEZAS (QUÉ ES QUÉ)



A. Puntero delantero: úselo para guiar la máquina en línea recta.

B. Rueda de guía: ubicada en el puntero delantero (A). Alinéela con la línea de corte y con la cuchilla (H) para obtener cortes rectos.

C. Protección de la cuchilla: cubre la cuchilla (H). ¡Debe estar siempre en su sitio al operar la máquina! Observe la dirección de la herramienta según se marca en la protección con una flecha.

D. Protección delantera de la cuchilla: forma parte de la protección de la cuchilla. Se puede levantar para instalar la cuchilla (H).

E. Tornillo trasero de la protección de la cuchilla: mantiene la protección de la cuchilla (C) en su sitio. Se debe quitar y volver a colocar si se desplaza la protección de la cuchilla (C).

F. Placa de cierre de la protección de la cuchilla: cubre la brida exterior (J).

G. Desconexión de la manguera de agua (G): conecta la protección de la cuchilla (C) a la válvula de control de agua (KK) o al tanque de agua (P). Se puede utilizar cuando la protección de la cuchilla (C) se monta en el lado izquierdo o derecho de la máquina.

H. Cuchilla: herramienta para cortar asfalto o hormigón (no se incluye con la máquina).

I. Brida interior: árbol en el cual se monta la cuchilla (H). Se debe cambiar si está dañado o gastado.

J. Brida exterior: se utiliza para sujetar la cuchilla (H) en su sitio. Contiene un pasador de seguridad (K) que debe pasar por la cuchilla (H). Se debe cambiar si está dañado o gastado.

K. Pasador de seguridad: mantiene la cuchilla (H) en su sitio. Se debe cambiar si está dañado o gastado.

L. Tuerca del eje de la cuchilla (L1 / L2): sujeta la brida exterior (J) a la máquina. La tuerca (L1) en el lado derecho de la máquina lleva roscas en sentido antihorario. La tuerca (L2) (no se ilustra) en el lado izquierdo de la máquina lleva roscas en sentido horario.

48

M. Árbol de la cuchilla: la cuchilla (H) se monta en esta superficie.

N. Tanque de agua / Soporte del punto de izado: sujeta el tanque de agua (P). Soporta el punto de izado (O).

O. Punto de izado: ¡levante la máquina solamente desde este punto!

P. Tanque de agua (si se incluye): 25 litros (6,6 galones EE.UU.) de capacidad de agua. ¡Llene con agua solamente! ¡No llene con gasolina u otras sustancias inflamables! Use solamente para suprimir el polvo durante los cortes en seco. Use solamente con cuchillas adiamantadas (H) soldadas con láser (en seco).

Q. Cuerda de arranque del motor: use para poner en marcha el motor. Consulte el manual de operación del motor.

R. ---

S. ---

T. Llave del eje de la cuchilla (27 mm): úsela para instalar y quitar la cuchilla (H). Guárdela en el compartimiento de herramientas (BB).

U. Llave (13 mm): úsela para el mantenimiento de varios elementos de la máquina. Guárdela en el compartimiento de herramientas (BB).

V. Cubierta delantera: se engancha al soporte del tanque de agua (N).

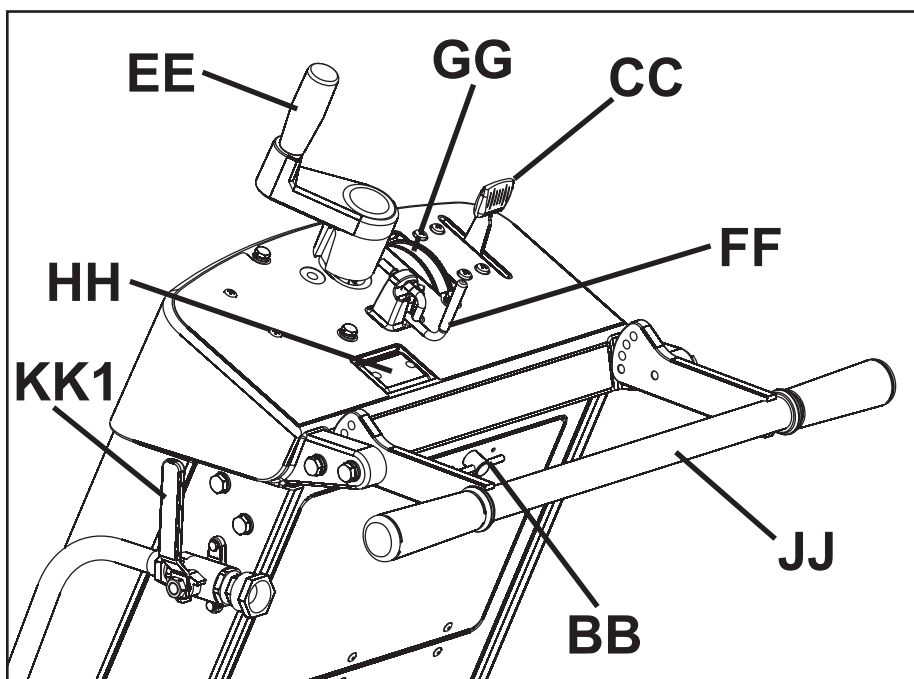
W. Protección del eje: protege la brida interior (I). Siempre va instalado en el lado opuesto al cuadro de la protección de la cuchilla (C).

X. Accesorio de engrase para el control de profundidad: no se ilustra. Consultar la sección mantenimiento de este documento.

Y. Espada de montaje de la protección de la cuchilla: mantiene la protección de la cuchilla (C) en su sitio.

Z. Varilla de medición de aceite del motor: úsela para controlar el nivel de aceite del motor (no se ilustra, consulte la sección Operación de este documento).

IDENTIFICACIÓN DE LAS PIEZAS (QUÉ ES QUÉ)



AA ---

BB. Compartimiento de herramientas: contiene el manual de operación, la lista de piezas y dos llaves (T y U) (13 mm y 27 mm). Para abrir, gire la perilla 180 grados. Siempre vuelva a colocar el manual de operación en este sitio para consultas futuras.

CC. Acelerador del motor: controla la velocidad del motor (RPM). Para aumentar la velocidad del motor, empuje hacia delante. Para disminuir la velocidad del motor, tire hacia atrás. Todas las operaciones de corte se realizan con el motor a velocidad máxima.

DD. ---

EE. Control de profundidad de la cuchilla: gírelo en sentido antihorario para levantar la cuchilla adiamantada (H), y en sentido horario para bajarla.

FF. Tope de profundidad de la cuchilla: utilícelo para trabar el control de profundidad de la cuchilla (EE) en su sitio. Tire del tope de profundidad de la cuchilla hacia la parte posterior de la máquina y gírelo 90 grados para trabarlo en posición abierta.

GG. Indicador de profundidad de la cuchilla: muestra la profundidad de corte de la cuchilla adiamantada (H) en centímetros (anaranjado) y en pulgadas (blanco).
Funcionamiento: con el motor en posición APAGADO/OFF ("0"), baje la cuchilla adiamantada (H) hasta que toque la superficie de corte. Gire el indicador de profundidad de la cuchilla para que el "0" quede alineado con las flechas. Levante la sierra. Cuando la sierra baja hasta el corte, el indicador muestra la profundidad de corte actual.

HH. Tacómetro de motor (RPM): muestra la velocidad del motor en revoluciones por minuto cuando el motor está en funcionamiento. Muestra el tiempo total de funcionamiento operación cuando el motor está APAGADO/OFF ("0"). El tiempo total de funcionamiento se muestra en una escala de 0 a 59 minutos y en horas para períodos de más de 60 minutos.

II. ---

JJ. Manubrio trasero: el operador se ubica detrás de la máquina con ambas manos sobre el manubrio trasero. El manubrio se puede ajustar en varias posiciones.

KK1. Válvula de control de agua: controla el caudal de agua a la cuchilla. Se encuentra en el lateral izquierdo de la máquina, cerca del manubrio trasero (RR). No se utiliza con el tanque de agua (de incluirse).

KK2. Válvula de control de agua de protección de la cuchilla: controla el caudal de agua a la cuchilla. Se encuentra en la protección de la cuchilla. Se utiliza con el tanque de agua (de incluirse).

LL. Protección de la correa (no se ilustra): cubre la correa de transmisión del motor.

MM. Polea de transmisión de la correa en V: se usa para mantener la tensión de la correa en V del eje motor de la cuchilla.

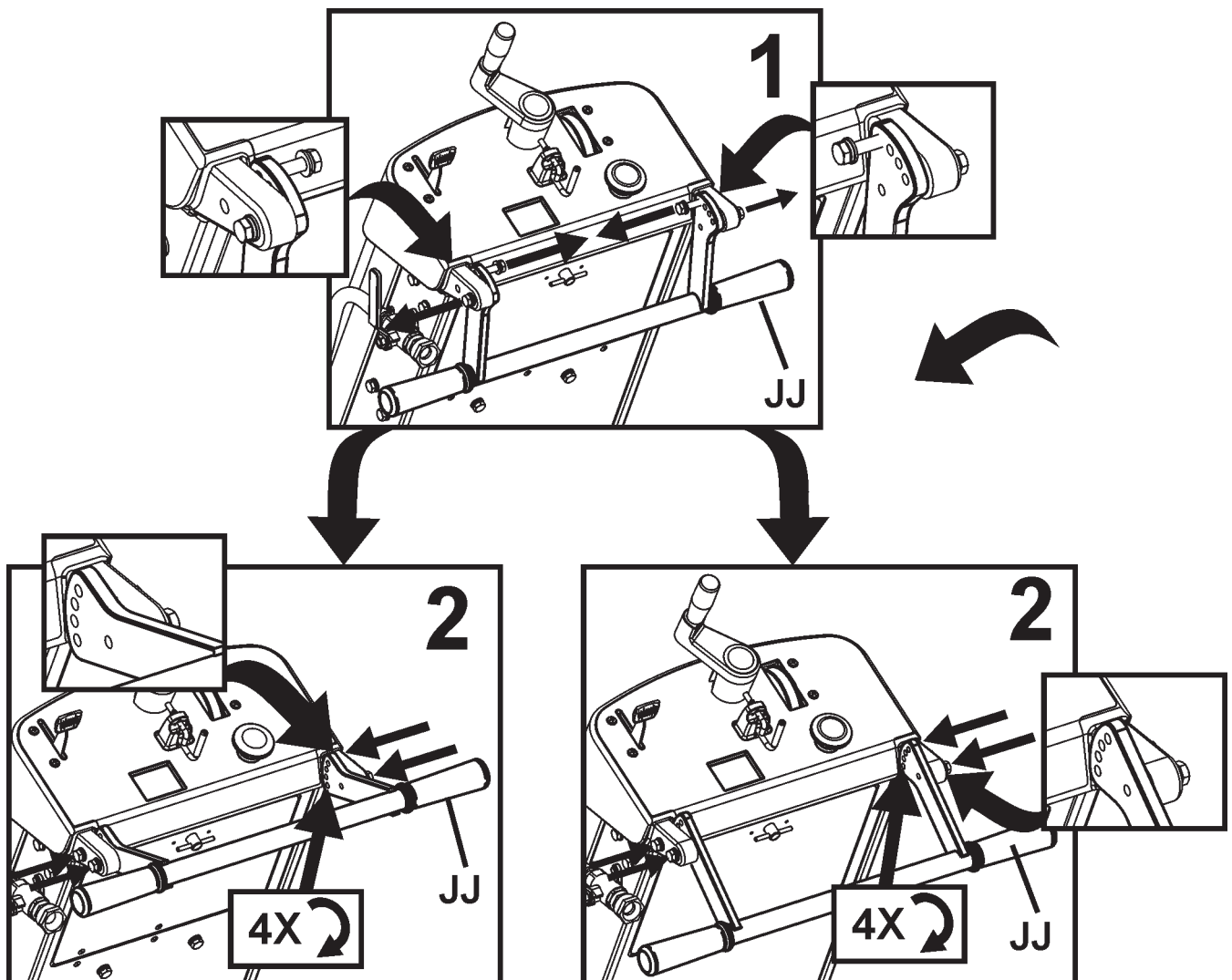
NN. Manguera de drenaje de aceite: se usa para quitar el aceite del motor.

OO. Freno de estacionamiento (solamente en unidades de la Unión Europea): se usa para mantener la máquina en posición de estacionamiento. Se encuentra en la rueda posterior derecha, en la parte trasera de la máquina. Funcionamiento: para activar, rote la palanca hacia arriba de manera que la vara se pueda mover hacia adentro. Para desactivar, tire de la vara hacia adentro y rote hacia abajo, de manera tal que quede fija hacia adentro.

ENSAMBLADO

Antes de operar la máquina por primera vez ensamble los elementos siguientes.

Vuelva a posicionar el manubrio trasero (JJ):
la máquina se envía con el manubrio trasero (JJ) en posición de guardado, tal como se ilustra. Para usar la máquina, el manubrio se debe volver a posicionar.



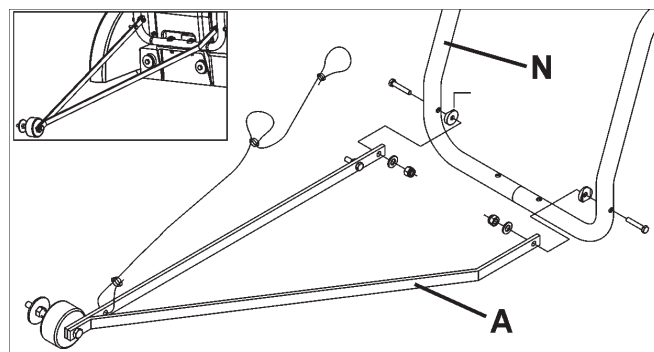
ENSAMBLADO

Instale el puntero delantero (A):

1. Use los tornillos, arandelas y tuercas del puntero delantero (A) e instálelos en el cuadro tubular del soporte del tanque de agua (N). Ajuste las contratuercas de manera tal que el puntero (A) pivote libremente.

2. Disponga la cuerda del puntero de manera tal que no pase por superficies calientes. Los dos bucles de la cuerda permiten engancharla al manubrio trasero (JJ).

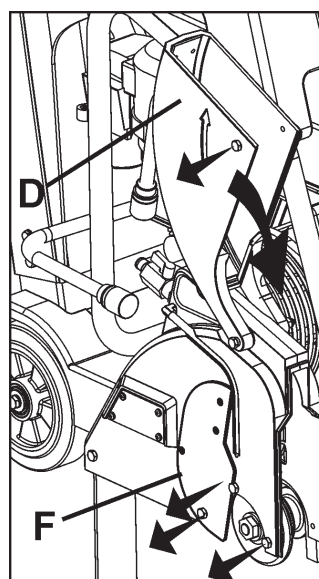
Nota: Se ilustra el “*puntero simple*” (A). En algunas regiones el “*puntero doble*” se ofrece como equipo estándar. El puntero doble se ofrece en todas partes como accesorio adicional. Para más información, consulte la sección “*accesorios*” de este documento o la lista de piezas de repuesto.



Protección delantera de la cuchilla (D):

1. Con la llave de 13 mm (U) provista, quite los dos (2) tornillos M8 situados delante y debajo de la placa de cierre de la protección de la cuchilla (F), y quite también el tornillo M8 frente a la protección de la cuchilla (D) [tal como indican las flechas]. Afloje los tornillos restantes (pero no los quite) de la placa de cierre (F) de la protección de la cuchilla. Gire hacia abajo la placa de cierre (F) y la parte delantera de la protección de la cuchilla (D).

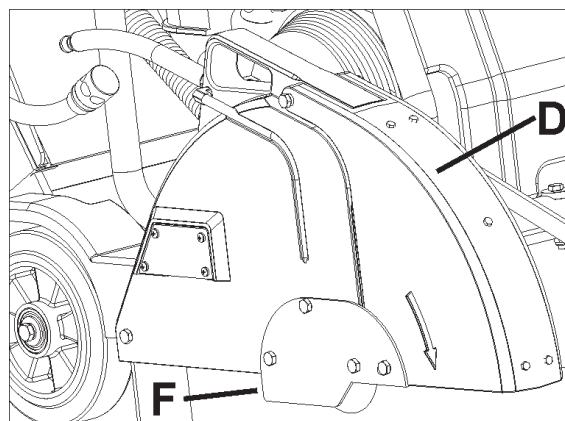
2. Vuelva a colocar los tres (3) tornillos M8 en la placa de cierre (F) de la protección de la cuchilla, tal como se ilustra en el diagrama de la derecha. Con la llave de 13 mm provista (U), apriete los cuatro (4) tornillos M8 que sujetan la placa de cierre de la protección de la cuchilla (F) en su sitio.



¡ADVERTENCIA!

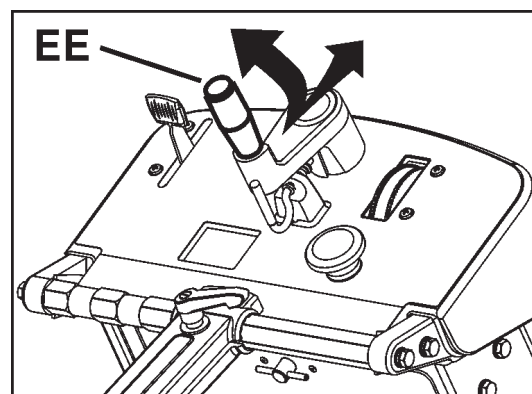
La placa de cierre (F) de la protección de la cuchilla se debe instalar antes de operar la máquina. ¡De lo contrario se puede producir una situación de riesgo!

¡Siempre que opere la máquina mantenga las protecciones en su sitio!



Ajuste la posición del manubrio de control de profundidad de la cuchilla (EE).

Tire de la manija de control de profundidad de la cuchilla (EE) hacia fuera y gire 90 grados hasta que calce en la posición ilustrada.



ENSAMBLADO

Instale el tanque de agua (P) (de incluirse):

- En algunas regiones se ofrece un tanque de agua instalado de fábrica. En todos los lugares se ofrece un equipo de tanque de agua opcional.

- Si el tanque de agua se instaló previamente en la máquina, lea estas instrucciones para verificar que se haya instalado correctamente. Obedezca todas las ADVERTENCIAS de instalación y uso del tanque de agua.

- Verifique el contenido del equipo del tanque de agua. Consulte el diagrama de la derecha.

1. Quite provisoriamente la TUERCA de la derecha (del mismo lado de la cuerda de arranque de la máquina) del ojo de izado (O). Consulte el diagrama de la derecha.

2. Instale la ABRAZADERA suministrada con el equipo del tanque (P) y luego vuelva a instalar la TUERCA. Consulte el diagrama de la derecha.

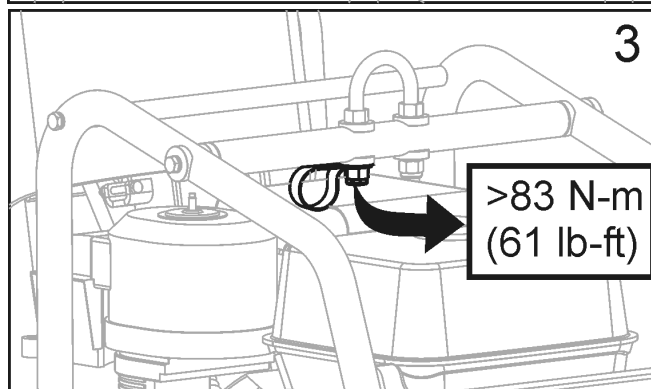
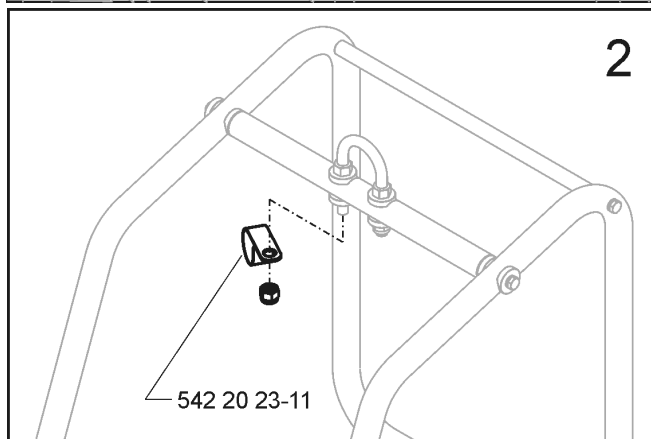
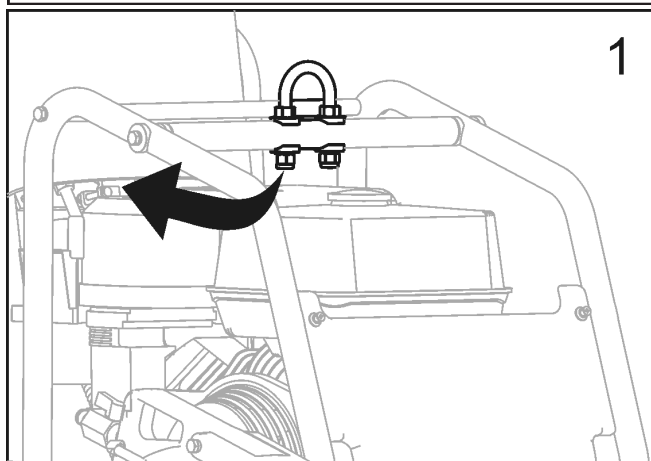
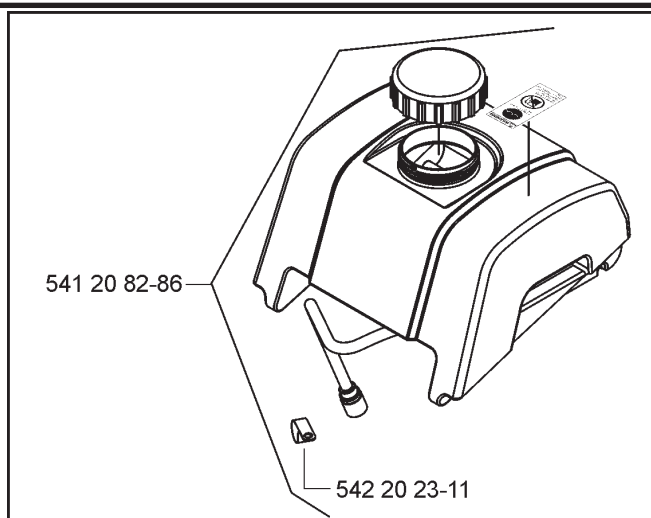
3. Apriete según se indica a continuación y en el diagrama de la derecha.

AVISO

Apriete la TUERCA del ojo de izado a 83 N-M (61 libras/pie), como mínimo.

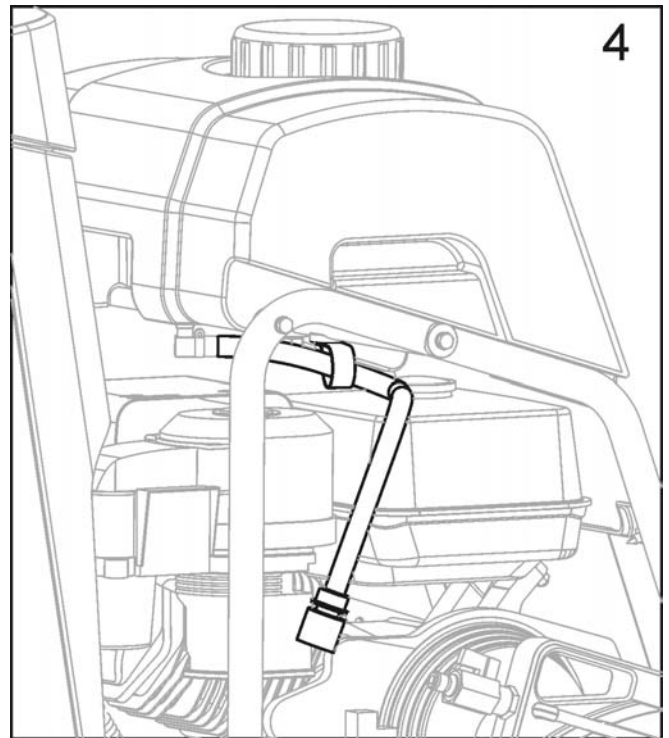
⚠ ¡ADVERTENCIA!

Apriete la TUERCA de acuerdo con las especificaciones, de lo contrario puede fallar el OJO DE IZADO (O). Toda falla en el OJO DE IZADO puede ser causa de accidentes o muerte al levantar la máquina.



ENSAMBLADO

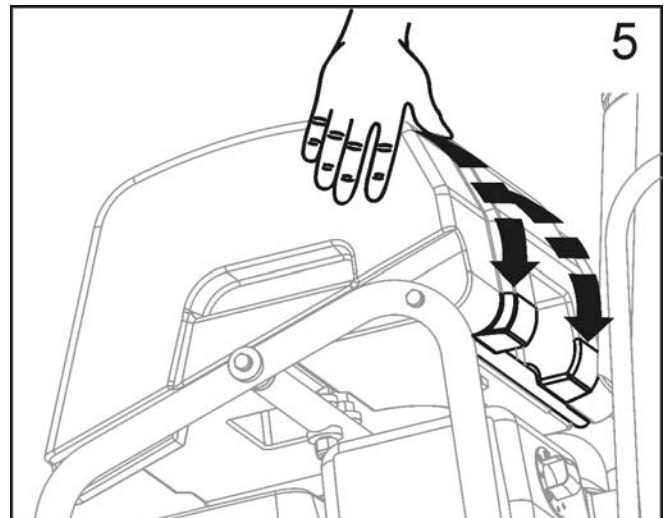
4. Presente el tanque de agua y pase la manguera correspondiente tal como se ilustra en el diagrama de la derecha.



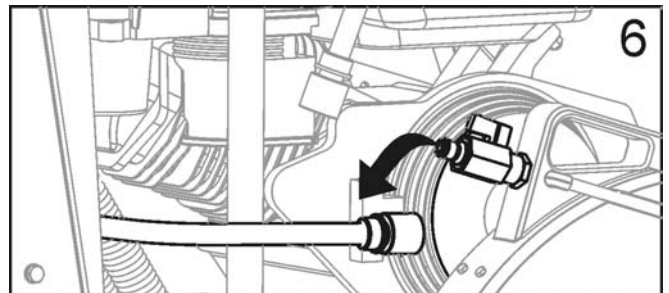
5. Alinee la barra trasera y el área ahuecada en la parte posterior del tanque de agua.

- Apriete firmemente el tanque de agua para calzarlo en su sitio en la barra trasera.

- Cuando se instala correctamente, el tanque de agua debe pivotar libremente en la barra trasera.



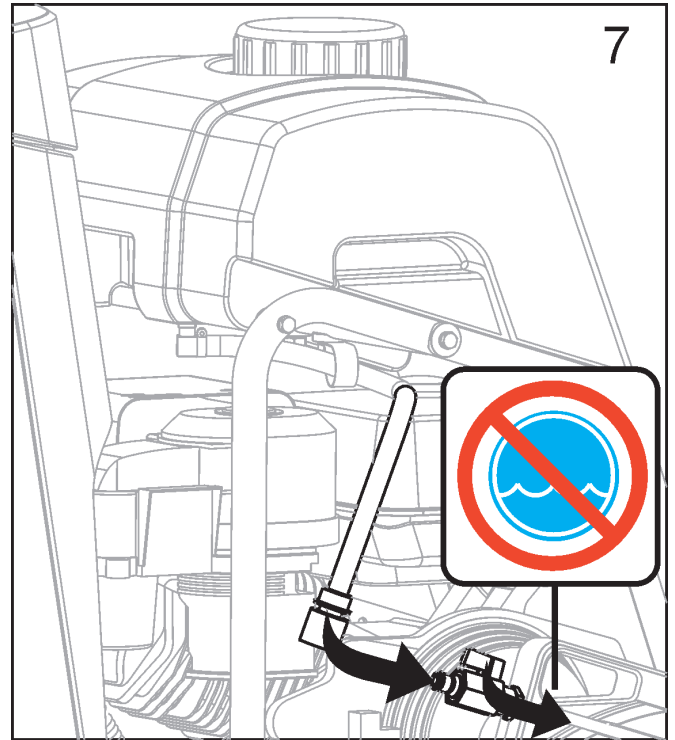
6. Desconecte la manguera de agua de la protección de lacuchilla. Ésta es la manguera de la válvula de control de agua montada en la sierra.



ENSAMBLADO

7. Conecte la manguera del tanque de agua a la válvula de agua de la protección de la cuchilla.

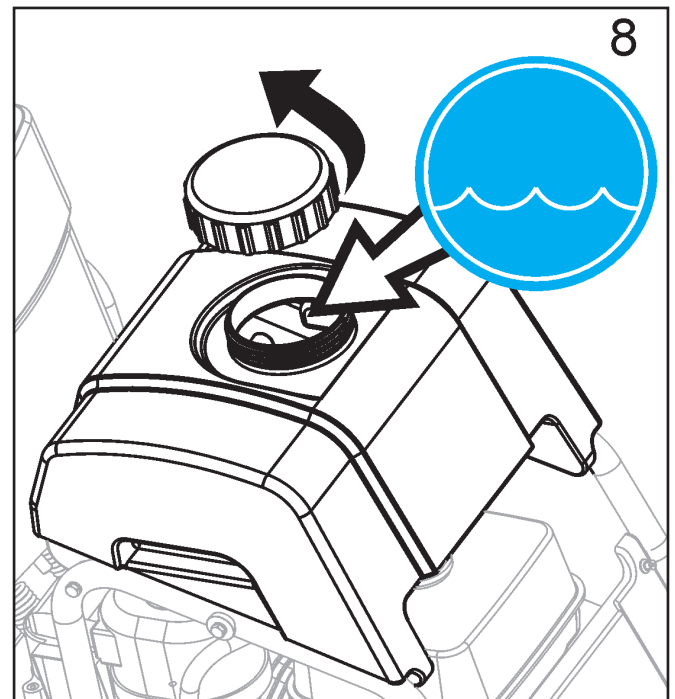
- Verifique que la válvula de agua de la protección de la cuchilla esté en posición CERRADA (OFF).
- El tanque de agua queda ya montado en la sierra.



Llenado del tanque de agua:

8. Gire la tapa en sentido antihorario para quitarla. Consulte el diagrama de la derecha.

- Llène el tanque solamente con agua. Lea todas las ADVERTENCIAS antes de usar el tanque de agua.
- Gire la tapa en sentido horario para cerrarla.
- El tanque de agua se usa exclusivamente para eliminar las partículas de polvo de hormigón, y se debe usar solamente con cuchillas adiamantadas "secas"..



⚠ ¡ADVERTENCIA!

NO utilice cuchillas estándar (húmedas) cuando use el tanque como suministro de agua. ¡El caudal de agua no es suficiente para enfriar la cuchilla debidamente!

Llene el tanque solamente con agua.

Nunca llene el tanque de agua (P) con líquidos inflamables o gasolina, de lo contrario se pueden producir accidentes o incluso la muerte.

FUNCIONAMIENTO

Antes de poner en funcionamiento:

Uso: esta máquina se debe usar solamente para cortes en seco o húmedos de asfalto u hormigón, tanto viejo como nuevo.

⚠ ¡ADVERTENCIA!

NO utilizar para cortes en seco en regiones de la Unión Europea (EU) La máquina no incluye un puerto para polvo.

Herramientas: use la máquina solamente con las herramientas siguientes (H): cuchillas adiamantadas enfriadas con agua. En la Unión Europea (UE) NO se deben usar cuchillas abrasivas reforzadas o cuchillas adiamantadas para corte en seco, puesto que esta máquina se provee sin un puerto de recolección de polvos. Diámetro: 300 mm (12 pulgadas) – 500 mm (20 pulgadas). Perforación: 25,4 mm (1,00 pulgadas)

⚠ ¡ADVERTENCIA!

NO use cuchillas de carburo metálico, cuchillas para madera o circulares en esta máquina, de lo contrario se pueden producir accidentes e incluso la muerte.

Reubicación de la protección de la cuchilla (C), si fuera necesario:

La protección de la cuchilla (C) se instala en fábrica en el lado derecho de la máquina, pero se puede colocar en el lado izquierdo. De esta manera podrá cortar más cerca de los obstáculos cuando no sea posible acercarse a ellos desde el lado opuesto.

1. Con la llave de 13 mm (U) quite el tornillo trasero (E) de la protección de la cuchilla (C).
2. Empuje el collarín trasero para separar la desconexión de la manguera de agua (G). La mitad macho permanece en la protección de la cuchilla (C). La mitad hembra permanece en el tanque de agua (P) o en la válvula de control de agua (KK).
3. Levante la protección de la cuchilla (C) y quítela de la espada de montaje de la protección de la cuchilla (Y).
4. Con la llave de 13 mm (U) quite los cuatro (4) tornillos que sujetan la placa de cierre (F) de la protección de la cuchilla. Vuelva a colocar la placa de cierre (F) en el lado izquierdo de la protección de la cuchilla (C).
5. Quite la protección del eje (W) del lado izquierdo y colóquela en el lado derecho.
6. Baje la protección de la cuchilla (C) hasta la espada de montaje (Y), en el lado izquierdo de la máquina.
7. Vuelva a instalar el tornillo trasero (E) en la protección de la cuchilla (C).
8. Vuelva a conectar la desconexión de la manguera de agua (G) de la protección de la cuchilla (C) al tanque de agua (P) o a la válvula de agua (K). Al volver a colocar la manguera observe que ésta no toque el silenciador.
9. Vuelva a colocar el puntero delantero (A) y realínelo, de manera que la rueda de guía (B) quede en el lado izquierdo de la máquina.

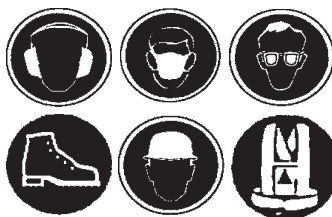
⚠ ¡ADVERTENCIA!



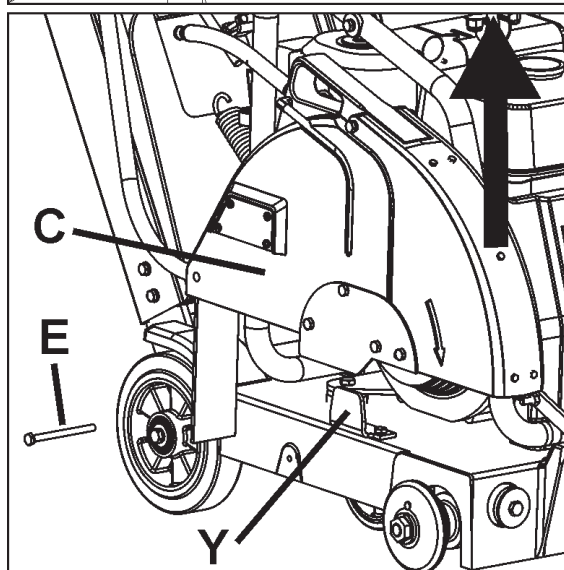
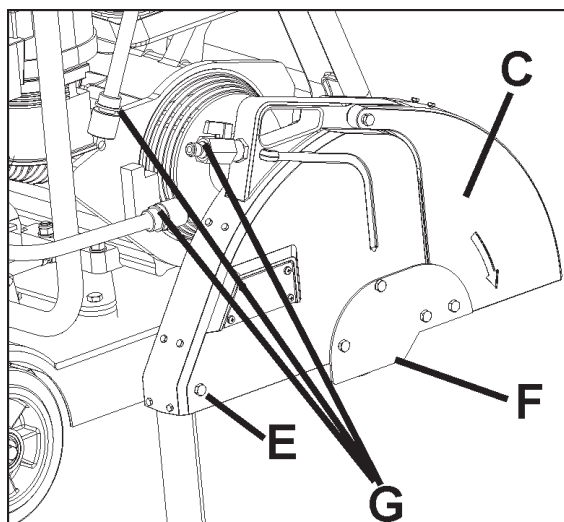
Antes de operar la máquina, lea íntegramente y comprenda este manual de operación y el manual de operación del motor provisto con el mismo.



¡Familiarícese con la máquina antes de utilizarla!



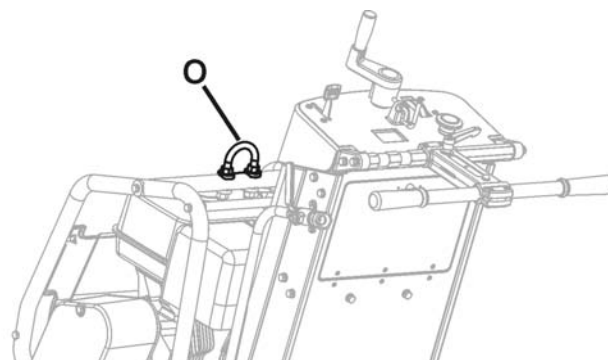
El operador debe utilizar equipo protector personal e indumentaria acorde al tipo de trabajo a realizar. Es obligatorio el uso de equipo protector personal, como protección auditiva y ocular.



FUNCIONAMIENTO

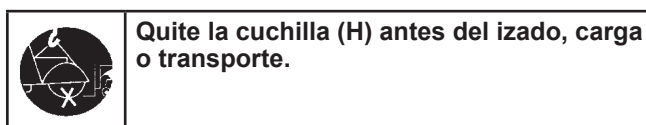
Transporte e izado de la máquina:

- Sólo levante la máquina desde el punto de izado (O).
- Siempre quite la cuchilla (H) antes de levantar, cargar o transportar la máquina.
- Use una banda de izado debidamente clasificada para levantar como mínimo el peso máximo de la máquina. El peso nominal y máximo de la máquina se indican en la sección DATOS TÉCNICOS de este documento.

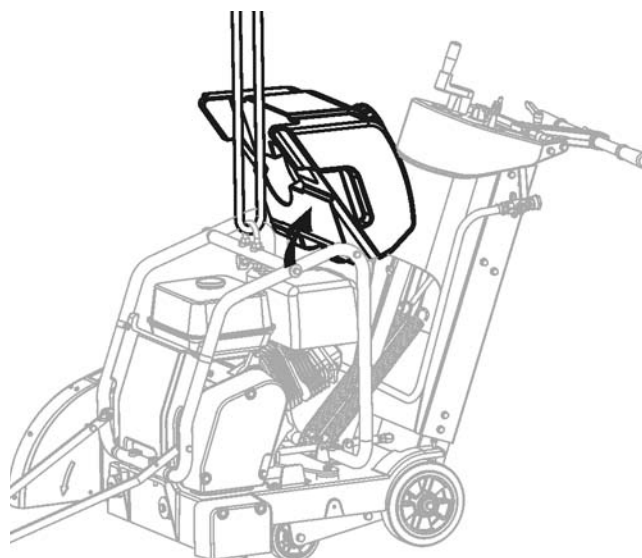


Izado de la máquina equipada con el tanque de agua:

- Antes de levantar una máquina equipada con un tanque de agua:
 1. Desagote el tanque.
 2. Quite la cuchilla.
 3. Baje la máquina hasta que el cuadro esté paralelo al suelo.
 4. Pivote la parte delantera del tanque de agua hacia arriba hasta que se apoye contra el tope de aluminio de la cubierta del motor. No apoye la tapa del tanque de agua sobre la parte delantera plástica de la cubierta del motor, de lo contrario se pueden producir daños durante el izado.
 5. Conecte la banda de izado adecuada al punto de izado (O).
 6. Haga una prueba de izado a poca altura (sólo unos centímetros) para verificar que el tanque permanece debidamente conectado a la máquina y que no se dañará ni causará accidentes.
 7. Si no es posible levantar la máquina sin que se produzcan daños a ésta o al tanque, quite este último antes del izado.



Quite la cuchilla (H) antes del izado, carga o transporte.




AVISO

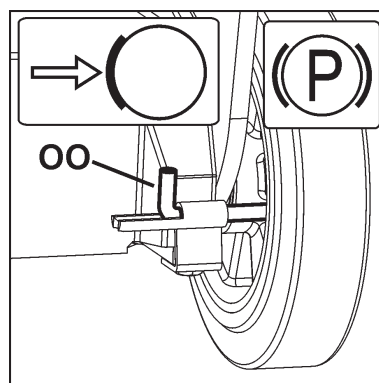
Si la sierra no se iza debidamente, se puede dañar el tanque o la sierra. Supervise atentamente el izado para que no se produzcan daños.

Estacionamiento de la máquina:

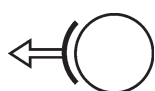
- Las máquinas utilizadas en algunas regiones cuentan con un freno de estacionamiento.
- Este freno cumple la función de mantener la máquina en su sitio en una pendiente de 10 grados o inferior. La parte trasera de la máquina se debe orientar cuesta abajo (con el peso máximo en la rueda frenada).

 **Freno de estacionamiento - Activación (Véase diagrama)** Mueva la palanca del freno de estacionamiento (OO) desde la posición desactivada.

1. Tire de la palanca (OO) hacia el centro de la máquina.
2. Gire la palanca (OO) hacia arriba 180 grados.
3. Un resorte permite que la palanca (OO) se mueva hacia el lado externo de la máquina para activar el cubo de la rueda.



FUNCIONAMIENTO



Freno de estacionamiento- Desactivación (Véase diagrama)

Para operar la máquina, desactive el freno de estacionamiento.

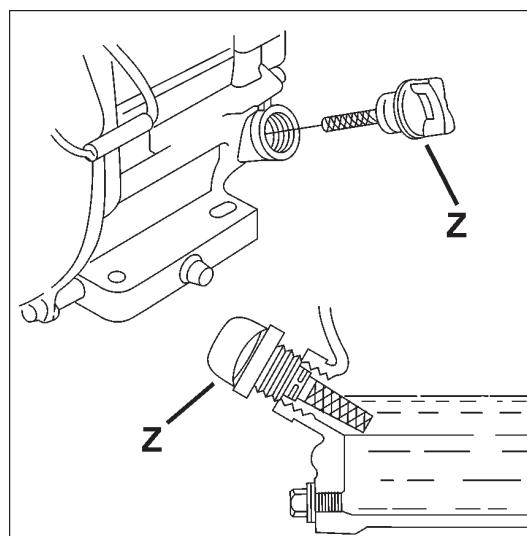
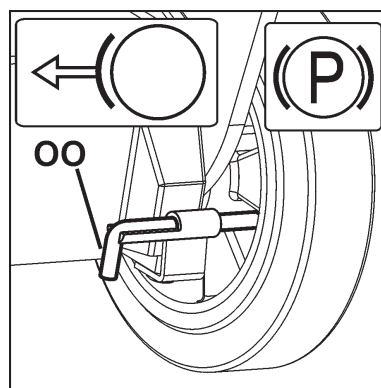
1. Tire de la palanca (OO) hacia el centro de la máquina.
2. Rote la palanca (OO) hacia abajo 180 grados y suéltela para trabarla en su sitio.

Modelos con motor a gasolina:

Para el correcto funcionamiento, consulte el manual de operación del motor.

COMBUSTIBLE: para más información, consulte el manual de operación del motor.

ACEITE: con la varilla de medición de aceite (Z) controle que el nivel de aceite del motor sea correcto. Al controlar el nivel de aceite, no enrosque la varilla de medición de aceite (Z) en el puerto. Puesto que el motor opera frecuentemente en ángulo, se recomienda verificar el nivel de aceite con el motor en posición horizontal. Controle con frecuencia para asegurarse de que el nivel de aceite nunca está por debajo de la marca inferior de la varilla de medición. Se recomienda el uso de aceite 10W30. Para más información, consulte el manual de operación del motor.



Todos los modelos:

Se debe controlar el puntero delantero (A) para verificar que esté alineado con la cuchilla. Coloque una regla junto a la brida interior (I). Alinee el puntero delantero (A) con la regla. Si fuera necesario ajustar el puntero delantero (A), afloje las tuercas que sujetan la rueda de guía (B) en su sitio. Alinee la rueda de guía (B) a la regla y vuelva a apretar las tuercas.

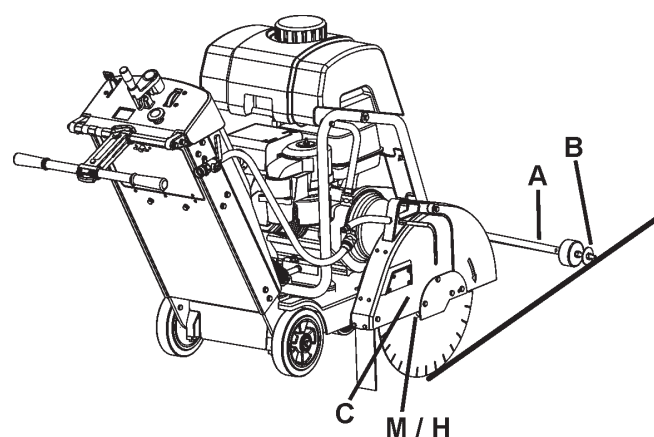
Controle que la tubería de agua de la protección de la cuchilla (C) esté abierta y que cada lado de la cuchilla cuente con el suministro adecuado de agua.

Antes de arrancar la sierra, compruebe que el suministro de agua tiene la presión y cantidad (caudal) debidos.

Corte solamente a la profundidad que requieren las especificaciones del trabajo. Los cortes a mayor profundidad que la requerida producirán el desgaste excesivo de la cuchilla y de la máquina.

Corte en incrementos de 50 mm (2 pulgadas) de profundidad hasta alcanzar las especificaciones de corte. Este proceso se conoce como "corte por pasos".

Corte solamente en línea recta. Marque claramente la línea de corte para que el operador de la sierra pueda seguirla sin dificultad. NO se debe inclinar la sierra de lado a lado para forzar la cuchilla en la línea.



FUNCIONAMIENTO

Colocación de la cuchilla adiamantada (H):



Instale la cuchilla adiamantada (H) en la obra. No transporte la máquina con la cuchilla adiamantada (H) instalada.

1. Abra la cubierta delantera (V).
2. Coloque el interruptor de arranque del motor (DD) en la posición APAGADO / OFF ("0").
3. Gire el control de profundidad de la cuchilla (EE) en sentido antihorario para levantar la cuchilla adiamantada (H) hasta la posición más alta.
4. Con la llave de 13 mm (U), ubicada en el compartimento de herramientas (BB), quite los cuatro (4) tornillos M8 que sujetan la placa de cierre (F) de la protección de la cuchilla. Quite provisoriamente la placa de cierre (F) de la protección de la cuchilla.
5. Levante la protección delantera de la cuchilla (D):
6. Use la llave de 27 mm para el eje de la cuchilla (T) para aflojar y quitar la tuerca del eje de la cuchilla (L) que asegura la brida exterior (J) en su sitio.
7. Quite la brida exterior (J).

AVISO

La tuerca del eje de la cuchilla (L1), en el lado derecho de la máquina, lleva roscas de sentido antihorario. Gírela en sentido horario para aflojarla.

La tuerca del eje de la cuchilla (L2) (no se ilustra) en el lado izquierdo de la máquina lleva roscas de sentido horario. Gírela en sentido antihorario para aflojarla.

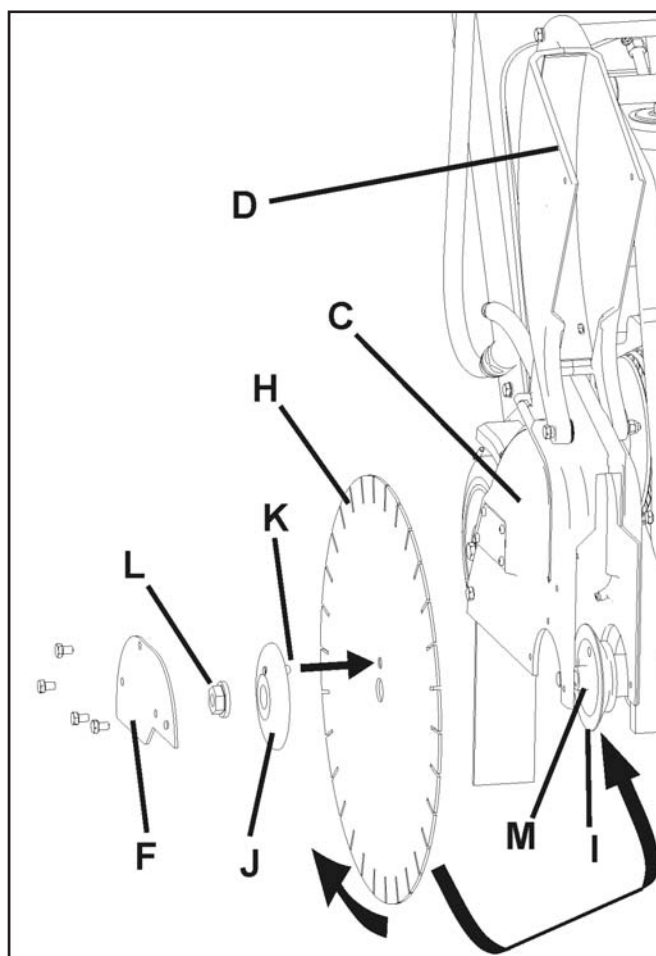
8. Controle que el árbol del eje de la cuchilla (M), la brida interior (I) y la brida exterior (J) estén limpias y libres de objetos extraños.
9. Coloque la cuchilla adiamantada (H) en el árbol del eje de la cuchilla (M). Las flechas en la cuchilla adiamantada (H) y en el frente de la protección de la cuchilla (D) ilustran la dirección de rotación. Consulte el diagrama de la derecha.
10. Coloque la brida exterior (J) en el árbol del eje de la cuchilla (M). Asegúrese de que el pasador de seguridad pase por la cuchilla adiamantada (H) hasta penetrar en la brida interior (I).
11. Rote la brida exterior (J) y la cuchilla adiamantada (H) en dirección opuesta a la rotación de la cuchilla para eliminar el huelgo.
12. Instale la tuerca del eje de la cuchilla (L). Para apretar, use la llave de 27 mm (T) del eje de la cuchilla.

AVISO

La tuerca del eje de la cuchilla (L1), en el lado derecho de la máquina, lleva roscas de sentido horario. Gírela en sentido antihorario para apretarla. Apriete a 45 N•m (33 libras/pie) como mínimo.

La tuerca del eje de la cuchilla (L2) (no se ilustra), en el lado izquierdo de la máquina, lleva roscas de sentido horario. Gírela en sentido antihorario para apretarla. Apriete a 45 N•m (33 libras/pie) como mínimo.

13. Baje la protección delantera de la cuchilla (D):
14. Vuelva a instalar la placa de cierre (F) de la protección de la cuchilla y apriétela.



⚠ ¡ADVERTENCIA!

UTILICE SOLAMENTE cuchillas (H) clasificadas para una velocidad máxima de operación superior a la velocidad del eje de la cuchilla de la máquina.

¡NO opere la máquina sin la debida protección sobre la cuchilla adiamantada (H)!

¡NO opere la máquina con la protección delantera de la cuchilla (D) en posición levantada!

¡Durante la operación de la máquina, la cuchilla (H) NO DEBE sobrepasar los 180 grados de exposición!

Las superficies de contacto del árbol del eje (M), de la brida interior (I) y de la brida exterior (J) DEBEN ESTAR limpias y libres de objetos extraños.

NO transporte la máquina con la cuchilla (H) instalada.

NO use cuchilladas adiamantadas (H) convencionales (para cortes húmedos) sin agua.

LEA las instrucciones provistas con la cuchilla (H).

NO instale la cuchilla (H) si la fuente de energía no está en la posición APAGADO/OFF (0) y desconectada del suministro de energía.

FUNCIONAMIENTO

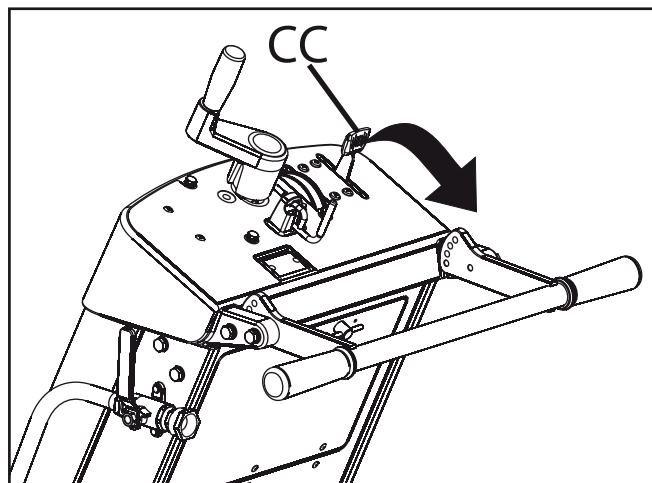
Arranque de la máquina y proceso de corte:

- Con el control de profundidad (EE), levante la cuchilla adiamantada (H) a la mayor altura posible para evitar que al maniobrar choque con el pavimento. Si fuera necesario, tire del tope de profundidad de la cuchilla (FF).
 - Desactive el freno de estacionamiento (si se incluye).
 - Coloque la máquina en posición, cerca de la línea a cortar.
 - Baje el puntero delantero (A) hasta la superficie de corte.
 - Ajuste el indicador de profundidad (GG) (úselo si lo desea):
 - 1) Baje la máquina hasta que la cuchilla adiamantada toque la superficie de corte.
 - 2) Ajuste el dial del indicador de profundidad (GG) hasta que la flecha de éste quede en línea con el cero (0). El color naranja indica la profundidad de corte en centímetros. El color blanco indica la profundidad en pulgadas.
 - 3) Levante la sierra hasta la altura máxima. Ahora, con la cuchilla adiamantada (H) en posición baja, el indicador de profundidad (GG) mostrará la profundidad de corte.
 - 4) Vuelva a colocar la cuchilla adiamantada (H) en la posición más alta.
 - Verifique que el Acelerador del motor (CC) esté en la posición "ARRANQUE" (START).
 - Arranque el motor. Para más información, consulte el manual de operación del motor.
 - Verifique visualmente que la rotación de la herramienta concuerde con la fecha de dirección de la protección de la cuchilla.
 - Abra COMPLETAMENTE la válvula de control de agua (KK). Verifique el caudal de agua máximo y luego ajústelo para obtener la cantidad de agua necesaria en la cuchilla ANTES de bajarla.
 - Haga los ajustes finales para alinear la sierra con la línea de corte. Verifique que tanto la rueda de guía (B) como la cuchilla adiamantada (H) estén en la línea de corte.
- Si se interrumpe el suministro de agua, detenga el cortado de inmediato. Se pueden producir daños en la cuchilla adiamantada (H).**
- Para bajar la cuchilla adiamantada (H) hasta el corte, gire lentamente el control de profundidad de corte (EE) de la cuchilla en SENTIDO ANTIHORARIO.
 - Una vez que obtenga la profundidad de corte deseada, oprima el tope de profundidad de la cuchilla (FF) para trabarla con el control de profundidad (EE) (si lo desea).
 - Presione suavemente el manubrio trasero (JJ.) para impulsar la máquina hacia adelante. Observe atentamente la cuchilla adiamantada (H) y la rueda de guía (B) para asegurarse que la máquina permanece en la línea de corte.
 - Después de completar el corte, desenganche el tope de profundidad de la cuchilla (FF).
 - Para quitar la cuchilla adiamantada (H) del corte, gire el control de profundidad de corte de la cuchilla (EE) en SENTIDO HORARIO.
 - Cierre la válvula de control de agua (KK).

- Jale el Acelerador del motor (CC) hacia atrás a la posición "PARADA" (STOP).

AVISO

Ante una situación de emergencia durante las operaciones de corte **DETENGA** la máquina inmediatamente con el interruptor de parada de la máquina (CC).



Para **PARAR** la máquina, jale el acelerador del motor (CC) hacia atrás, a la posición "PARADA" (STOP).

MANTENIMIENTO Y LUBRICACIÓN

REFERENCIA RÁPIDA DE MANTENIMIENTO PROGRAMADO:

Antes de realizar tareas de mantenimiento, SIEMPRE recuerde estacionar la máquina en una superficie nivelada, con el motor “y el interruptor de motor en la posición “APAGADO / OFF”. ¡Deje que la máquina se enfríe! Las tareas de mantenimiento y reparaciones adicionales deben ser realizadas solamente por un técnico cualificado.

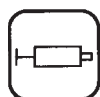
SERVICIO DIARIO:

1. Controle el nivel de aceite del motor.
2. Controle la protección de la cuchilla para determinar si hay daños.
3. Controle el filtro de aire del motor, cámbielo si está sucio. Si usa la máquina bajo condiciones de mucho polvo, realice el mantenimiento con más frecuencia.
4. Limpie la máquina periódicamente.

SERVICIO CADA 50 HORAS:

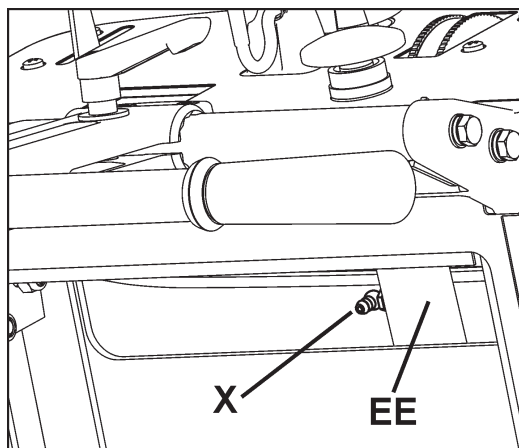
1. Cambie el aceite y el filtro de aceite del motor.
2. Limpie el motor / aletas de aire del motor.
3. Lubrique el accesorio de engrase del control de profundidad (X).
4. Controle las ruedas para determinar si están gastadas o dañadas.
5. Controle la tensión de la correa de transmisión de las ruedas.

LUBRICACIÓN:



Accesorio de engrase para el control de profundidad (X): un accesorio de engrase que permite la lubricación del tornillo de control de profundidad (EE) de la cuchilla. Para acceder a este accesorio de profundidad:

- Levante la cuchilla adiamantada (H) hasta la altura máxima. Abra el compartimento de herramientas (BB), quite provisoriamente la bolsa que contiene el manual.
- El accesorio de engrase (X) se encuentra cerca de la parte superior del tubo de control de profundidad (EE) de la cuchilla.
- Añada grasa al accesorio. Levante y baje la máquina unas cuantas veces para hacer circular la grasa por el tubo.
- Vuelva a colocar la bolsa del manual de operación, cierre la puerta del compartimento de herramientas (BB).



Aceite del motor:

Controle el aceite del motor:



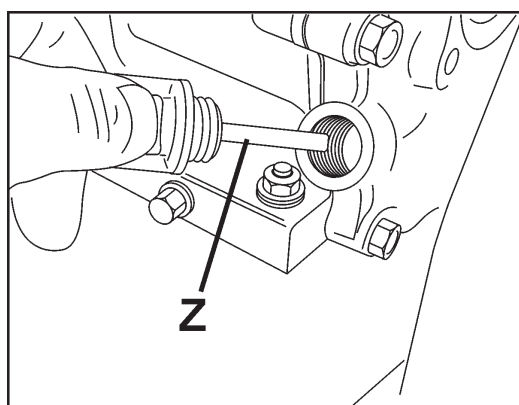
Controle que el aceite del motor esté al nivel correcto.



La varilla de medición de aceite (Z) se encuentra en la parte delantera del motor. Cargue aceite en el agujero de la varilla de medición de aceite. Al controlar el nivel de aceite, se debe atornillar la varilla de medición (Z).

Puesto que el motor opera frecuentemente en ángulo, verifique el nivel de aceite con el motor en posición horizontal. Controle con frecuencia para asegurarse de que el nivel de aceite nunca esté por debajo de la marca inferior de la varilla de medición. Se recomienda el uso de aceite 10W30.

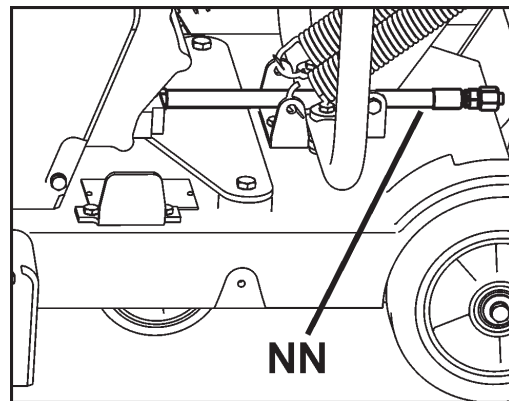
Para más información, consulte el manual de operación del motor.



MANTENIMIENTO Y LUBRICACIÓN

Recambio de aceite del motor:

- Gire el interruptor de arranque del motor (DD) a la posición APAGADO / OFF ("0"). Deje que el motor se enfríe. Use el control de profundidad (EE) para inclinar ligeramente la máquina hacia atrás.
- Vuelva a colocar la manguera de drenaje de aceite (NN) en el costado de la máquina. Disponga de un recipiente adecuado, lo suficientemente amplio como para recibir el contenido de aceite del motor, detrás de la máquina para recoger el aceite.
- Abra el extremo de la manguera de drenaje de aceite (NN) y descargue el aceite en el recipiente. Después de drenar el aceite, vuelva a colocar el extremo de la manguera de drenaje de aceite (NN), apriétela firmemente y vuelva a colocar la manguera en su posición original.
- Llene el motor con la cantidad de aceite recomendada— para más detalles, consulte el manual del motor.
- Disponga el aceite usado de acuerdo con las normas de seguridad ambientales.



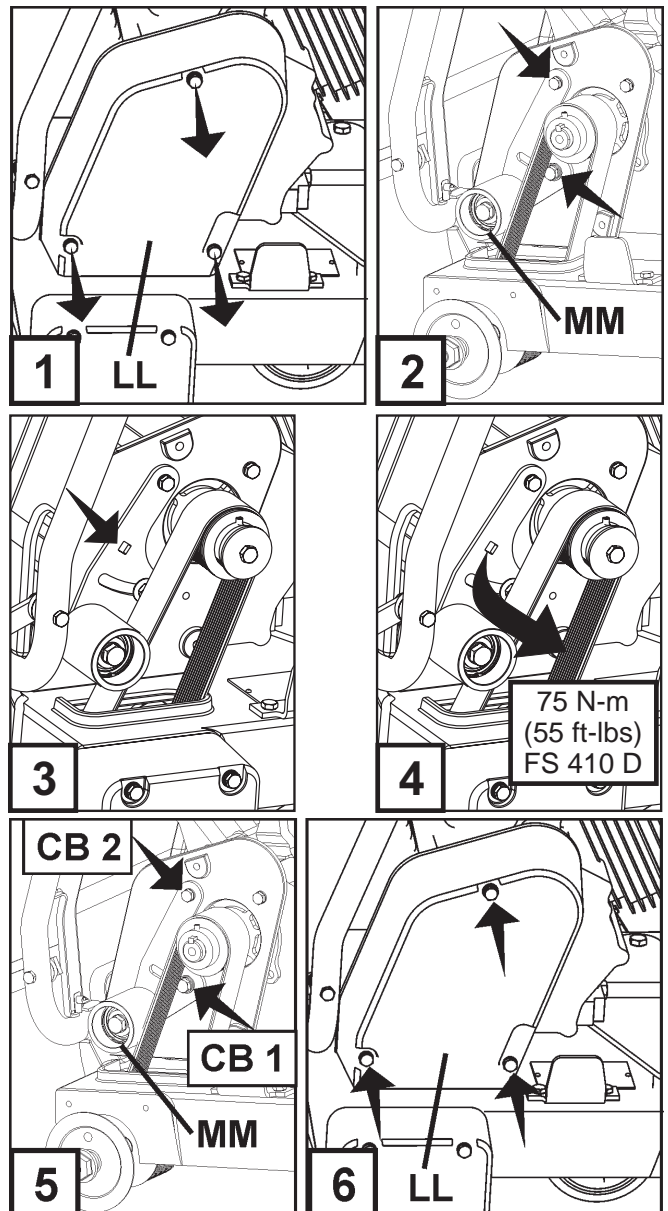
Tensión de la correa de transmisión del eje de la cuchilla: después de unas pocas horas de uso se debe volver a ajustar la tensión de la correa de transmisión. El piñón de la correa de transmisión (MM) mantiene la tensión de la misma.

Herramientas necesarias:

- Llave de 13 mm (se incluye con la máquina)
- Llave aprieta tuercas de 9,53 mm (3/8 pulgada) (no se incluye)
- Llave de 14 mm (no se incluye con la máquina)

1. Con la llave de 13 mm (U), quite los 3 (tres) tornillos M8 que sujetan la protección de la cuchilla (LL). Quite la protección de la cuchilla (LL).
2. Use las llaves de 13 y 14 mm para aflojar ligeramente los dos (2) tornillos que sujetan el piñón de la correa de transmisión (MM) [los tornillos indicados con (2) flechas].
3. Coloque la llave de ajuste en el agujero cuadrado del piñón de la correa de transmisión (MM).
4. Apriete el piñón (MM) para que quede contra la correa en V. Apriete al valor de torsión que se indica en el diagrama 4.

5. Apriete el tornillo central (CB1) para sujetar el piñón de transmisión (MM) en su sitio, luego apriete el tornillo restante (CB2).
6. Vuelva a instalar la protección de la cuchilla (LL). Con la llave de 13 mm (U), apriete los 3 (tres) tornillos M8 que sujetan la protección de la cuchilla (LL).



MANTENIMIENTO Y LUBRICACIÓN

Velocidad del regulador

Es sumamente importante que el Regulador y el acelerador de todos los motores de combustión interna se ajusten debidamente. La velocidad del motor se preconfigura en fábrica para proveer la velocidad de corte correcta. Normalmente NO es necesario hacer modificaciones. Se debe verificar periódicamente después de realizar mantenimiento en la máquina. Para cambiar la configuración del regulador consulte el manual del motor.



¡ADVERTENCIA!

El exceso de velocidad en la cuchilla adiamantada (H) puede resultar en la rotura de la misma y/o accidentes personales, tanto para el operador como para otras personas en el área. Para asegurarse de que el control esté debidamente ajustado, consulte la planilla adjunta para determinar la velocidad correcta del eje de la cuchilla (RPM). Prosiga de acuerdo a las instrucciones del fabricante para configurar el regulador y el acelerador.

Velocidad del eje de la cuchilla y del motor

Modelo	Eje de la cuchilla RPM	Motor RPM
FS 410 D	2600	3600

GUÍA PARA LA DETERMINACIÓN Y RESOLUCIÓN DE PROBLEMAS

El motor no arranca:	
Causa	Acción
Los interruptores eléctricos no están en la posición correcta.	Verifique que TANTO el interruptor de parada de la máquina (AA) COMO el interruptor de arranque del motor (DD) estén en la posición de ENCENDIDO / ON. El interruptor de parada de la máquina (AA) se debe tirar hacia afuera desde la cubierta, y el interruptor de arranque del motor (DD) se debe girar a la posición "1" (ENCENDIDO/ON).
La válvula de combustible está cerrada.	Abra la válvula de combustible.
La válvula de inducción está abierta.	Cierre la válvula de inducción cuando el motor esté frío.
El tanque de combustible está vacío.	Llene el tanque con combustible.
Contaminación o agua en el sistema de combustible.	Limpie el tanque, las líneas de combustible y el carburador. Llene el tanque con combustible nuevo.
Acumulación en los electrodos de la bujía de encendido.	Controle el huelgo del electrodo y límpielo.
El motor no arranca o funciona inestablemente. El filtro de aire está bloqueado.	Limpie o cambie el filtro de aire.

Determinación y resolución de problemas para la cuchilla adiamantada:	
Problema	Causa y acción
<p>Pérdida de tensión en la cuchilla adiamantada</p> 	<p>La cuchilla se usa en una sierra no alineada debidamente. Controle la alineación correcta de la sierra.</p> <p>La cuchilla es demasiado "dura" para el material a cortar, lo cual crea tensión en el núcleo de la cuchilla de acero. Verifique que utiliza la cuchilla correcta para el material a cortar.</p> <p>Un diámetro incorrecto o el uso de bridas para cuchillas de dimensión menor al debido producen presión despareja en el centro de la cuchilla. Use bridas de la dimensión correcta en cada lado de la cuchilla. Nunca utilice bridas para cuchillas dañadas o gastadas.</p> <p>La cuchilla se usa a una velocidad incorrecta (RMP). Asegúrese de que el eje de la cuchilla gire a la velocidad correcta (RMP) para el tamaño de cuchilla correspondiente. Controle las RPM con el tacómetro.</p> <p>La cuchilla no está montada correctamente en el árbol. Se puede pandear al apretar las bridas.</p>
<p>Pérdida de segmento</p> 	<p>La cuchilla es muy "dura" para el material a cortar. Use una cuchilla más "blanda".</p> <p>Cuchilla sobrecalentada, se observa un color "azulado" en el centro de la cuchilla. Controle que el suministro de agua sea correcto y que no esté bloqueado.</p> <p>La sierra está torcida durante el corte. Corte solamente en línea recta.</p> <p>El agujero de la cuchilla está desgastado y con forma excéntrica (ovalado). Cambie la cuchilla y el vástago desgastados.</p> <p>Segmento dañado durante el montaje o transporte. Evite manipular bruscamente la cuchilla adiamantada. Nunca transporte la máquina sin antes quitar la cuchilla adiamantada.</p>
<p>Núcleo de la cuchilla rajado</p> 	<p>La cuchilla es muy "dura" para el material a cortar. Use una cuchilla más "blanda".</p> <p>La cuchilla sobrecalentada, se observa un color "azulado" en el centro de la cuchilla. Controle que el suministro de agua sea correcto y que no esté bloqueado.</p> <p>La sierra está torcida durante el corte. Corte solamente en línea recta.</p> <div style="border: 1px solid black; padding: 5px; text-align: center;"> <p>⚠ ¡ADVERTENCIA!</p> <p>  ¡NO use cuchillas adiamantadas dañadas! ¡El uso de la máquina con una cuchilla adiamantada dañada puede resultar en accidentes personales o muerte! </p> </div>
<p>Segmentos de cuchilla rajados</p> 	<p>La cuchilla es muy "dura" para el material a cortar. Use una cuchilla más "blanda".</p> <p>La cuchilla se usa a una velocidad incorrecta (RMP). Asegúrese de que el eje de la cuchilla gire a la velocidad correcta (RMP) para el tamaño de cuchilla correspondiente. Controle las RPM con el tacómetro.</p>

**Consulte
el manual
de operación
del motor.**

DATOS TÉCNICOS

Datos técnicos – Nivel de ruidos, compatibilidad electromagnética y vibración de mano/brazo

Nivel de ruidos		
MODELO	NIVEL DE POTENCIA	NIVEL DE PRESIÓN
-----	Lwa (dB) EN 23744	Lpa (dB) EN ISO 11201
FS 410 D	107	91,3
	-	-

CEM

(Compatibilidad electromagnética)

Este equipo fue probado para compatibilidad electromagnética empleando los métodos descritos en EN14982:98. Estas pruebas encontraron que el equipo no sobrepasó los límites de emisiones radiadas. La sierra fue probada en una cámara semianecoica en NCEE, Lincoln, Nebraska, un laboratorio registrado en la FCC. El informe de la prueba se encuentra en archivo en Husqvarna Construction Products, Olathe, Kansas.

VMB

(Vibración de mano / brazo)

Este equipo ha sido ensayado para vibración de mano / brazo de acuerdo con la norma ISO 5349. La tabla siguiente ilustra los resultados de este ensayo.

Modelo	Vibración máxima (Aeq) en m/s ²	Tiempo de exposición máximo
FS 410 D	3.5	+51 %

El valor **Aeq** se mide en vibración continua en los manubrios extendidos, y se expresa como aceleración en unidades de m/s² (metros por segundo cuadrado). Los valores se midieron en una máquina totalmente precalentada, en funcionamiento a las RMP máximas permitidas y con una cuchilla de 500 mm. Se tomó como punto de medición la empuñadura de los manubrios extendidos. Como instrumento de medición se utilizó un medidor de vibración humana Davis, modelo HVM 100 (Human Vibration Meter) y un acelerómetro triaxial SEN021. El acelerómetro se fijó a un adaptador de mano que permite sentir la misma magnitud de vibración que la mano del operador.

El **tiempo máximo de exposición** es un valor de referencia que se calcula en un día laboral de 8 horas y el “valor de acción de exposición diaria” de 2,5 m/s² se define en la Directiva 2002/44/EC del 25 de junio de 2002.

El tiempo de exposición a la vibración diaria ponderada se puede determinar mediante la fórmula siguiente:

$$\text{Tiempo máximo de exposición} = (2,5/Aeq)^2 \times 8 \text{ horas}$$

La sobreexposición a las vibraciones puede dañar los vasos sanguíneos o nervios de personas con problemas de circulación. Consulte con un médico si siente síntomas físicos relacionados con la sobreexposición a las vibraciones. Ejemplos de estos síntomas son adormecimiento, falta de sensibilidad, cosquilleo, calambres, dolor o disminución de la fuerza normal o cambios en el color de la piel. Estos síntomas se producen normalmente en los dedos, manos y muñecas.

DATOS TÉCNICOS



Peso de la máquina

Modelo	Peso nominal (kg)	Peso máximo (kg)
FS 410 D	142	176
	-	-

Profundidad de corte

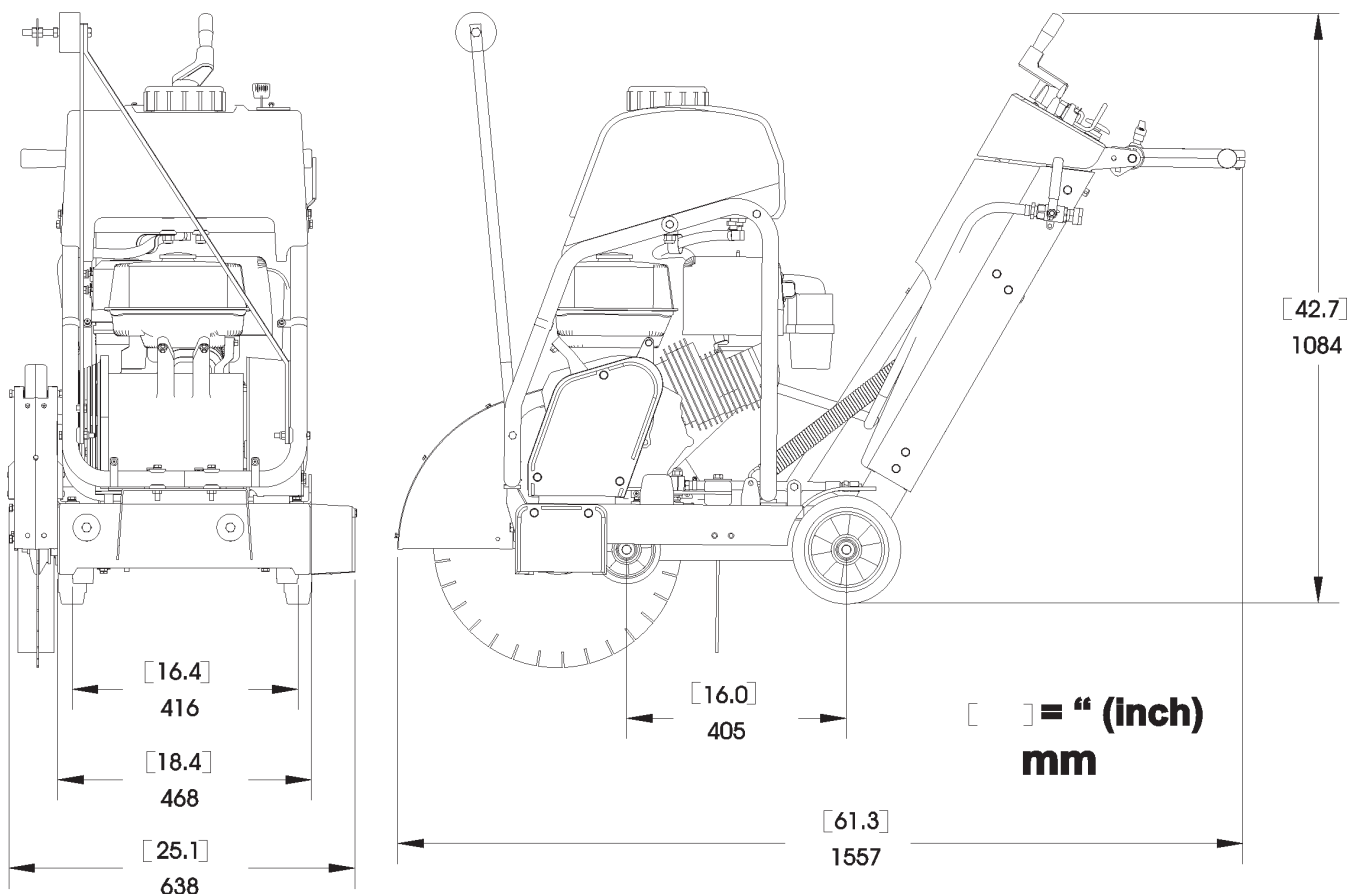
Tamaño de la cuchilla	Profundidad máx. de corte de la cuchilla
500 mm (20")	189 mm (7,6")

Velocidad del eje de la cuchilla y del motor

Modelo	RPM del eje de la cuchilla	RPM del motor
FS 410 D	2600	3600

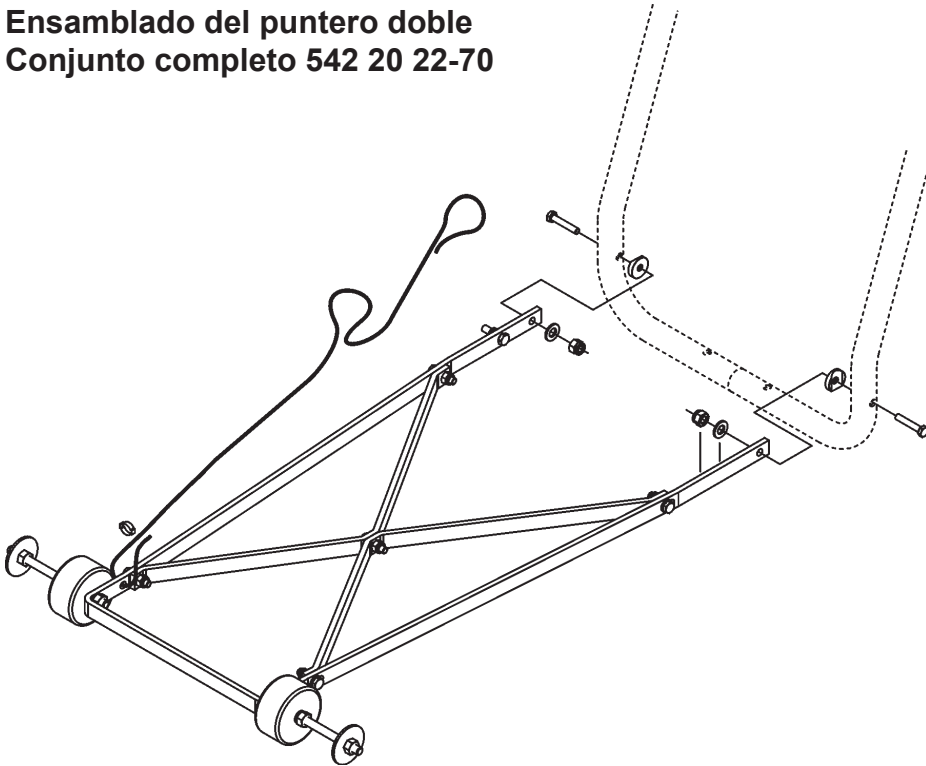
Capacidad del tanque de agua

25 litros (6,6 galones EE.UU. /
5,5 galones Reino Unido)

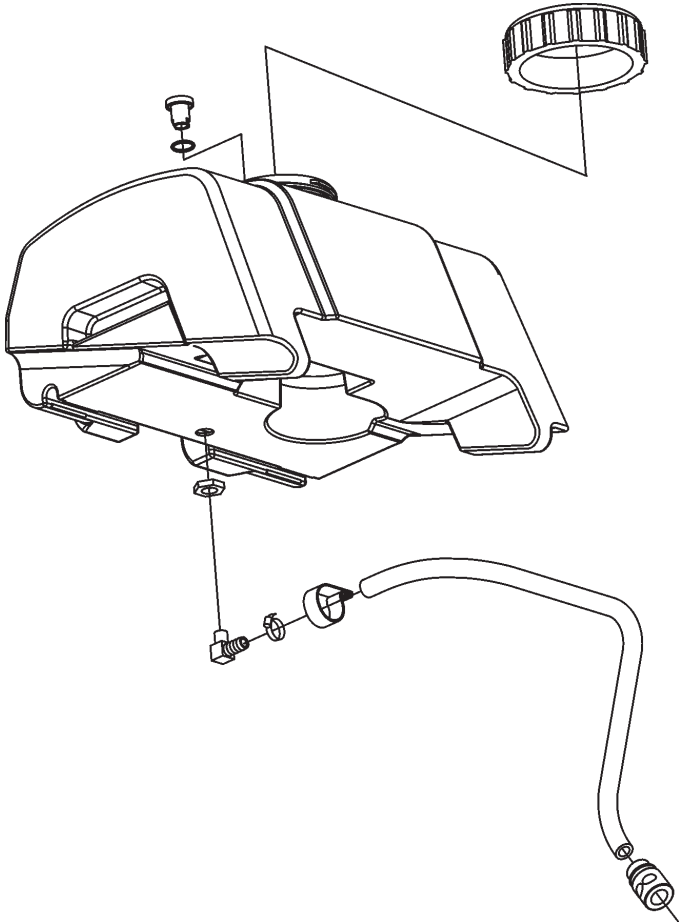


ACCESORIOS

Ensamblado del puntero doble
Conjunto completo 542 20 22-70



Ensamblado del tanque de agua
Conjunto completo 541 20 82-86



CERTIFICADOS DE CUMPLIMIENTO

Instituto Estadounidense de Normas Nacionales (American National Standards Institute): para unidades utilizadas en los Estados Unidos, esta máquina ha sido diseñada en cumplimiento de la norma ANSI B7.1-2000, "Requisitos de seguridad para el uso, cuidado y protección de ruedas abrasivas" del Instituto Estadounidense de Normas Nacionales (ANSI). Para adquirir esta norma comuníquese con el Instituto Estadounidense de Normas Nacionales en la siguiente dirección:

American National Standards Institute
25 West 43rd Street, 4th floor
Nueva York, NY 10036

Teléfono: 212.642.4900
Fax: 212.398.0023

COMISIÓN DE RECURSOS DE AIRE DE CALIFORNIA (CARB/CALIFORNIA AIR RESOURCES BOARD) De acuerdo con las normas CARB, esta máquina se considera como aplicación para uso fuera de la vía pública. Bajo equipos de construcción y en particular como sierra para hormigón (Sierras: hormigón, mampostería, recortes), con motor de potencia inferior a 19 KW (25 CV), las normas CARB no corresponden a esta máquina.

Para mayor información, consulte el sitio web <http://www.arb.ca.gov/msprog/offroad/preempt.htm>

UNIÓN EUROPEA (UE): para unidades utilizadas en países miembros de la Unión Europea (UE), esta máquina está diseñada para cumplir con las directivas de la UE como se describe a continuación.



HUSQVARNA CONSTRUCTION PRODUCTS

DECLARACIÓN DE CUMPLIMIENTO CON LA DIRECTIVA "SEGURIDAD DE MÁQUINAS" (Directiva 98/37/EC) y las reglas que gobiernan su transposición

FABRICANTE

Husqvarna Construction Products North America

17400 West 119th Street, Olathe, Kansas 66061 Estados Unidos

declara por la presente que la(s) máquina(s) indicada(s) en este documento

FS 410 D

Cumple(n) con la directiva (98/37/EC) "SEGURIDAD DE LA MÁQUINA", la directiva (73/23/EEC) "EQUIPO DE BAJA TENSIÓN", la directiva (89/336/EEC) "COMPATIBILIDAD ELECTROMAGNÉTICA (EMC) de conformidad con las normas europeas EN 50081/1 y EN 55022, y con la directiva (2000/14/EEC) sobre "RUIDOS" de conformidad con la norma europea EN ISO 3744.

Vice President, Operations

James H. McMenemy

01May2007, Olathe, Kansas, EE.UU

INFORMACIÓN DE CONTACTO



Husqvarna Construction Products, North America

Sede Social

17400 West 119th Street, Olathe, Kansas 66061 Estados Unidos

Sede Social: 913-928-1000

Fax de la sede social: 913-438-7951

www.husqvarna.com

Para efectuar un servicio local, póngase en contacto con su representante local de Husqvarna Construction Products.

Europa / Europe:

Husqvarna Construction Products

SE-433 81 Partille, Sweden

Tel: +46 31 94 90 00

Fax: +46 31 94 90 50

Asia (Pacífico):

Husqvarna Construction Products, Australia Pty Ltd

25-31 Kinkaid Avenue,

North Plympton, Adelaide,

Australia del sur 5037

Tel:+61 (0)8 8375 1000

Fax:+61 (0)8 8371 0990

América:

Husqvarna Construction Products, North America

17400 West 119th Street, Olathe, Kansas 66061 Estados Unidos

Teléfono gratuito: 800-288-5040, Teléfono: 913-928-1300

Fax: 913-438-7938

SOMMAIRE et INTRODUCTION

Section	Sommaire	Page
Sommaire et introduction		71
Symboles et autocollants		72-76
Instructions de sécurité		77-80
Identification des pièces		82-83
Assemblage		84-88
Fonctionnement		89-93
Entretien et lubrification		94-96
Guide de dépannage		97
Schéma de câblage		98
Données techniques		99-100
Accessoires		101
Certificats de conformité		102
Informations de contact		103

Introduction

Merci d'avoir acheté cette nouvelle machine Husqvarna Construction Products. Nous avons placé des messages de sécurité importants dans ce manuel et sur la machine. Ces messages doivent être lus avec attention. Un message de sécurité met en garde contre des dangers potentiels susceptibles de blesser l'utilisateur ou d'autres personnes. Chaque message de sécurité est précédé d'un symbole ou du symbole de mise en garde (⚠) et du terme **AVERTISSEMENT** ou **ATTENTION**.

Ces termes de mise en garde signifient :

⚠ AVERTISSEMENT : Signale une situation dangereuse qui, si elle n'est pas évitée, POURRAIT entraîner la mort ou des blessures graves.

⚠ ATTENTION : Signale une situation dangereuse qui, si elle n'est pas évitée, POURRAIT entraîner des blessures légères à modérées. Il sert également à mettre en garde contre certaines pratiques peu sûres.

Chaque message indique quel est le danger, ce qui peut se produire et ce qui peut être fait pour éviter ou réduire les dommages. D'autres messages importants sont précédés du terme **AVIS**.

AVIS signifie :

AVIS : Signale une situation dangereuse qui, si elle n'est pas évitée, pourrait entraîner des dégâts matériels. La machine ou d'autres biens matériels peuvent être endommagés si ces instructions ne sont pas respectées.

Les étiquettes de sécurité doivent être contrôlées et nettoyées par l'utilisateur à intervalles réguliers pour maintenir une bonne lisibilité à une distance sûre. Changer l'étiquette si elle est usée, endommagée ou illisible.

⚠ AVERTISSEMENT !

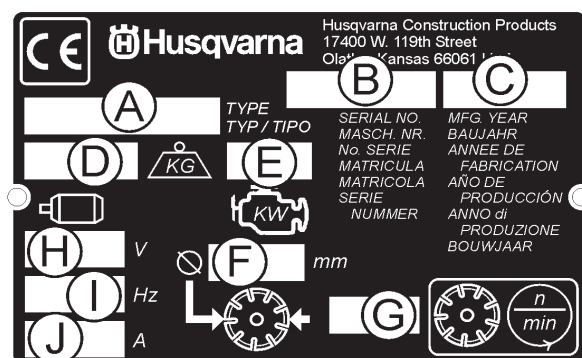
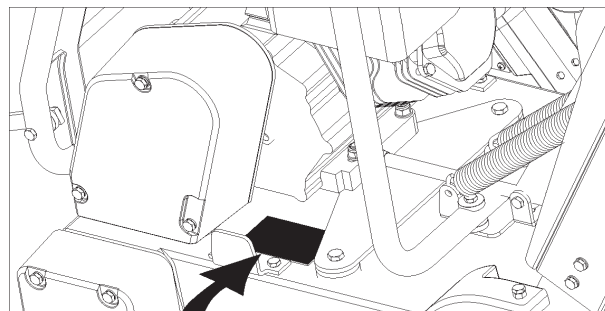


Avant d'utiliser la machine, lire et comprendre ce manuel d'utilisation en entier et le manuel d'utilisation du moteur fourni avec le moteur.



Veiller à se familiariser avec la machine avant utilisation !

Identification du modèle : Consigner ci-dessous les renseignements de la plaque signalétique de la machine pour référence ultérieure.



A. Modèle : _____

B. N° de série machine : _____

C. Année de fabrication _____

D. Masse de la machine (kg) _____

E. Puissance moteur (kW) _____

F. Diamètre du disque (mm) _____

G. Vitesse du disque (tours/minute) _____

H. Tension moteur électrique (le cas échéant) _____

I. Phases moteur électrique (le cas échéant) _____

J. Intensité moteur électrique (le cas échéant) _____

Autres renseignements ne figurant pas sur la plaque signalétique :

N° de série moteur : _____

Voir l'emplacement dans le manuel d'utilisation du moteur.

Date d'achat : _____

SYMBOLES et AUTOCOLLANTS



Veiller à lire les instructions d'utilisation avant d'utiliser la machine pour la première fois.



Ce symbole indique que la machine est conforme à la directive européenne applicable.



Obligatoire



Indication



Interdiction



Triangle d'avertissement



Porter une protection des yeux



Porter une protection respiratoire



L'utilisation d'une protection des oreilles est obligatoire



Porter une protection de la tête



Porter des chaussures de sécurité



Porter des vêtements appropriés



Déposer le disque avant de soulever, charger, décharger et transporter la machine.



Arrêt de la machine, débrayage de la transmission



Utiliser dans un endroit bien aéré



Ne pas utiliser dans des lieux où se trouvent des matières inflammables



Risques présentés par la machine ; garder les mains et les pieds éloignés.



Silencieux très chaud. Risque de brûlures et/ou d'inflammation de matières. Éviter le contact.



Avertissement, gaz d'échappement toxiques



Pas de spectateurs à proximité



Ne pas fumer



Ne pas utiliser si la protection de disque n'est pas en place



Toujours laisser toutes les protections en place



Alimentation en eau ouverte



Alimentation en eau fermée



Alimentation en eau

SYMBOLES et AUTOCOLLANTS

	Interrupteur de sécurité de l'eau du disque		Commutateur électrique - Démarrage
	Température du liquide de refroidissement du moteur		Les réparations ne doivent être effectuées que par un concessionnaire agréé
	Maintenir la zone de travail propre et bien éclairée ; enlever tout ce qui constitue un danger		Phare
	Niveau de bruit élevé, dangereux		Disque diamanté
	Accorder une très grande attention à l'entretien et aux protections de la machine avant de la mettre en marche		Diamètre du disque
	Enlever les outils de la zone de travail et de la machine		Embrayage du disque
	Pression d'huile moteur		Diamètre de poulie
	Huile nécessaire		Nombre de tours par minute, vitesse de rotation
	Jauge de niveau ; maintenir le niveau d'huile correct		Diamètre du flasque de disque
	Point de lubrification		Butée de profondeur du disque
	Haut régime		Indicateur de profondeur de sciage – profondeur d'entaille
	Bas régime		Frein de stationnement
	Commutateur électrique - Arrêt		Frein de stationnement appliqué (engagé)
	Commutateur électrique - Marche		Frein de stationnement libéré (désengagé)

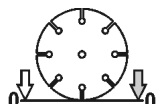
SYMBOLES et AUTOCOLLANTS



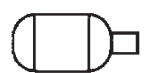
Masse de la machine (kg)



Borne positive de batterie



Indicateur de profondeur de disque – zéro



Moteur électrique



Moteur



Régime moteur, tours/minute



Démarrage du moteur



Carburant sans plomb uniquement

SYMBOLES et AUTOCOLLANTS



P/N 542 19 07-33
Location: Front of Cowl

FS 410 D

P/N 504 56 97-01
Location: Left and Right Side of Frame
(FS 410 D Only)

For local service, please contact your local Husqvarna Construction Products representative.

Para efectuar un servicio local, póngase en contacto con su representante local de Husqvarna Construction Products.

Pour toute réparation, contacter le représentant local de Husqvarna Construction Products.

Für Service vor Ort wenden Sie sich bitte an Ihren örtlichen Vertreter von Husqvarna Construction Products.

Neem voor plaatselijke service contact op met uw plaatselijke vertegenwoordiger van de constructieproducten van Husqvarna.

Per assistenza, rivolgersi al rappresentante di zona della Husqvarna Construction Products.

För service på platsen, kontakta din lokala representant för Husqvarna Construction Products.

Para obter serviço técnico local, contactar o representante da Husqvarna Construction Products local.

Europa / Europe:

Husqvarna
Construction Products
SE-433 81 Partille, Sweden
Tel: +46 31 94 90 00
Fax: +46 31 94 90 50

Asia Pacific:

Husqvarna
Construction Products,
Australia Pty Ltd
25-31 Kinkaid Avenue,
North Plympton, Adelaide,
South Australia 5037
Tel: +61 (0)8 8375 1000
Fax: +61 (0)8 8371 0990

The Americas:

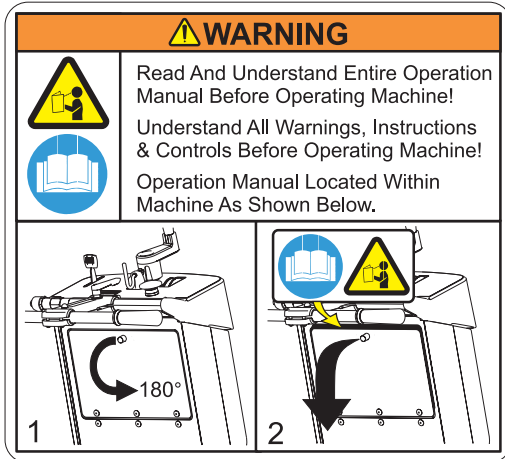
Husqvarna Construction Products,
North America
17400 West 119th Street,
Olathe, Kansas 66061 USA
Toll-Free Telephone: 800-288-5040,
Telephone: 913-928-1300
Fax: 913-438-7938

P/N 542 19 06-46 Local Service
Location: Side of Frame



P/N 542 19 05-88
Location: Depth Gauge

SYMBOLES et AUTOCOLLANTS



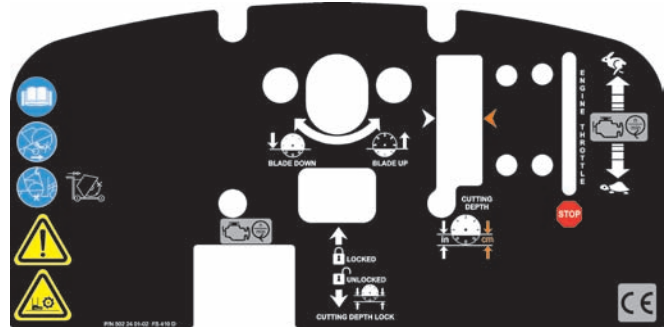
P/N 542 19 05-93
Location: Rear of Cowl



P/N 542 16 90-65
Location: Top of Belt Guard



P/N 542 19 06-17
Location: Water Tank (If Equipped)



P/N 502 24 01-02
Location: Top of Cowl



P/N 542 19 06-38
Location: Rear of Cowl



P/N 543 04 57-88 **SOUND LEVEL - 108dBA**
Location: Upper Right Hand Frame



P/N 542 16 12-35
Location: Upper Right Hand Frame

INSTRUCTIONS DE SÉCURITÉ

Généralités

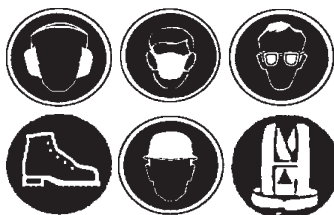
AVERTISSEMENT !



Avant d'utiliser la machine, lire et comprendre ce manuel d'utilisation en entier et le manuel d'utilisation du moteur fourni avec le moteur.



Veiller à se familiariser avec la machine avant utilisation !



L'utilisateur doit porter un équipement de protection individuelle et des vêtements adaptés au travail à effectuer. L'équipement de protection individuelle, notamment protection des yeux et des oreilles, est obligatoire.



La zone de travail doit être complètement dégagée, bien éclairée et tous les obstacles à la sécurité doivent avoir été retirés.



Toute personne qui n'est pas directement concernée par le travail doit s'éloigner.



AVERTISSEMENT ! Ne pas toucher l'outil lorsque la machine est en marche.

Carburant :



AVERTISSEMENT ! Manipuler le carburant avec précaution. Être conscient des risques d'incendie, d'explosion et d'inhalation de vapeurs.

- Conserver le carburant exclusivement dans des récipients prévus à cet effet.
- Effectuer le plein de carburant uniquement avec le moteur à l'ARRÊT. Ne jamais enlever le bouchon du réservoir et remplir le réservoir de carburant avec le moteur en marche.
- Toujours effectuer le plein dans un endroit bien ventilé.
- Ne jamais remplir le réservoir à l'intérieur d'un bâtiment.
- Laisser le moteur refroidir avant d'effectuer le plein.



Ne jamais effectuer le plein à proximité de flammes ou d'étincelles. Ne pas utiliser la machine à proximité de matières inflammables.



Ne pas fumer durant le plein de carburant ou l'utilisation de la machine.

- Déplacer la machine de 3 mètres depuis l'endroit où est effectué le plein avant de démarrer le moteur.
- Ne jamais démarrer la machine :
 - 1) Si du carburant a été déversé sur la machine. Essuyer tout déversement et laisser le carburant s'évaporer.
 - 2) Si du carburant a été déversé sur les vêtements ou sur soi-même. Laver à l'eau et au savon toute partie du corps qui est venue au contact du carburant.
 - 3) Si la machine présente une fuite de carburant. Contrôler régulièrement l'étanchéité du bouchon de réservoir et des conduites de carburant.
- Entreposer et transporter la machine et le carburant de manière à empêcher toute fuite ou vapeur de carburant de venir au contact d'étincelles ou de flammes, notamment de machines ou moteurs électriques, relais/commutateurs électriques ou chaudières.



AVERTISSEMENT CONCERNANT LA POUSSIÈRE

Le sciage et surtout le sciage À SEC produisent de la poussière dégagée par le matériau taillé, qui contient fréquemment de la silice. La silice est un élément de base du sable, du quartz, de la terre argileuse, du granit et de nombreux autres minéraux et roches. L'exposition à une quantité excessive d'une telle poussière peut causer :

- Maladies respiratoires (affectant la capacité de respirer), notamment bronchite chronique, silicose et fibrose pulmonaire résultant de l'exposition à la silice. Ces maladies peuvent être mortelles.

- Irritation de la peau et rougeurs
- Cancer, selon NTP* et CIRC*

* National Toxicology Program, Centre international de recherche sur le cancer

Prendre des mesures de précaution

- Éviter l'inhalation de poussière, vapeurs et émanations ainsi que leur contact avec la peau ;
- Pour minimiser la poussière, scier à l'eau autant que possible ;
- Porter et s'assurer que toutes les personnes présentes portent une protection respiratoire appropriée telle que masque antipoussière conçu pour filtrer les particules microscopiques (voir la réglementation 29 CFR Part 1910.1200 de l'OSHA).

Proposition 65 de Californie – Avertissement :

L'utilisation de ce produit peut provoquer une exposition à des substances reconnues, par l'état de Californie, comme pouvant causer le cancer et/ou des malformations congénitales ou d'autres effets néfastes sur l'appareil reproducteur.

INSTRUCTIONS DE SÉCURITÉ



AVERTISSEMENT GAZ D'ÉCHAPPEMENT TOXIQUES



CETTE SCIE EST EXPÉDIÉE DE L'USINE SANS CONVERTISSEUR CATALYTIQUE.
CE MOTEUR DÉGAGE DES GAZ D'ÉCHAPPEMENT CONTENANT DE L'OXYDE DE CARBONE ET IL EST **DANGEREUX** DE L'UTILISER DANS DES ENDROITS CLOS. L'EMPLOI D'UN CONVERTISSEUR CATALYTIQUE RÉDUIT LES ÉMISSIONS D'OXYDE DE CARBONE DANS LES GAZ D'ÉCHAPPEMENT, MAIS IL EST TOUJOURS **DANGEREUX** DE L'UTILISER DANS DES ENDROITS CLOS.

NE L'UTILISER QUE DANS DES ENDROITS BIEN VENTILÉS. LA QUALITÉ DE L'AIR DU CHANTIER DOIT ÊTRE CONFORME À LA RÉGLEMENTATION 29 CFR 1910.1000 DE L'OSHA, TABLEAU Z-1, LIMITES DE CONTAMINANTS DE L'AIR.

SURVEILLER LA QUALITÉ DE L'AIR DU CHANTIER POUR VÉRIFIER LA CONFORMITÉ. LE NON-RESPECT DES LIMITES ADMISES CONSTITUERA UNE MENACE POUR LA VIE ET PROVOQUERA DES LÉSIONS IRRÉVERSIBLES GRAVES OU MORTELLES.

Information générale

Le monoxyde de carbone (CO) est l'un des quelques gaz industriels fréquemment rencontrés à être à la fois fortement toxique (poison) et inodore. Lorsqu'il est inhalé, le CO devient un asphyxiant chimique car il se combine de manière préférentielle à l'hémoglobine du sang. L'hémoglobine ne peut alors plus transporter la quantité normale d'oxygène et les tissus sont ainsi privés d'oxygène. Parmi les symptômes d'une exposition à une faible dose d'oxyde de carbone, on note des maux de tête, des vertiges, une confusion et des nausées. **Toutefois, une exposition continue ou plus intense peut provoquer une perte de conscience, des lésions irréversibles et la mort.** En raison des dangers pour la santé associés à l'inhalation de CO, l'Occupational Safety and Health Administration (OSHA) (É.-U.) (direction de la sécurité et de l'hygiène du travail) a imposé des limites d'exposition personnelles. Ces limites d'exposition de l'OSHA spécifiées dans 29 CFR 1910.1000 (révision 1998) autorisent une valeur maximale de 200 ppm et une valeur limite d'exposition pondérée dans le temps (TWA) de 35 ppm par quart de 8 heures pour une semaine de travail de 40 heures. Il est fortement recommandé de consulter le règlement 29 CFR 1910.1000 de l'OSHA (Code de réglementations fédérales), ou l'organisme local approprié, pour plus d'informations sur les limites d'exposition aux diverses substances dangereuses. En cas de suspicion d'intoxication au CO, amener immédiatement la victime à l'air frais et obtenir une assistance médicale d'urgence.

Ventilation correcte :

CETTE SCIE EST EXPÉDIÉE DE L'USINE SANS CONVERTISSEUR CATALYTIQUE. Il est important de savoir que les scies équipées de convertisseurs catalytiques ont des émissions de monoxyde de carbone et d'hydrocarbure réduites. Mais les gaz d'échappement contiennent toujours de l'oxyde de carbone. Si l'espace de travail est trop confiné ou mal ventilé, le monoxyde de carbone risque de s'accumuler et de dépasser les limites admissibles. Dans ce cas, le personnel doit s'éloigner des zones de forte concentration. Les opérateurs et le personnel d'encadrement doivent prendre des précautions nécessaires pour garantir en permanence une ventilation suffisante de l'espace de travail. Des détecteurs de monoxyde de carbone doivent être utilisés pour s'assurer que la ventilation est suffisante.



AVERTISSEMENT DANGER POUR L'OUÏE

DURANT L'UTILISATION NORMALE DE CETTE MACHINE, L'OPÉRATEUR PEUT ÊTRE EXPOSÉ À UN NIVEAU DE BRUIT ÉGAL OU SUPÉRIEUR À **85 dB (a)**. IL PEUT EN RÉSULTER DES DOMMAGES TEMPORAIRES ET/OU IRRÉVERSIBLES. DISPOSITIF DE PROTECTION ANTIBRUIT REQUIS.

INSTRUCTIONS DE SÉCURITÉ

SÉCURITÉ D'ABORD !

CONSIGNES DE SÉCURITÉ A FAIRE ET À NE PAS FAIRE

 **AVERTISSEMENT : LE NON-RESPECT DE CES CONSIGNES DE SÉCURITÉ ET DES INSTRUCTIONS D'UTILISATION RISQUE D'ENTRAÎNER DES BLESSURES GRAVES OU MORTELLES.**

A FAIRE

- A FAIRE** Lire ce manuel d'utilisation en entier avant d'utiliser cette machine. Lire et comprendre tous les avertissements, instructions, commandes et définitions de symboles figurant dans ce manuel et sur la machine.
- A FAIRE** Toujours donner un exemplaire de ce manuel à l'utilisateur du matériel. Pour obtenir des exemplaires supplémentaires, téléphoner au 1-800-288-5040 aux États Unis ou au +1-913-928-1300 en dehors ou consulter la section « Informations de contact » de ce manuel.
- A FAIRE** Garder toutes les protections à leur place et en bon état.
- A FAIRE** Porter des dispositifs de protection des oreilles, des yeux, de la tête et des voies respiratoires homologués.
- A FAIRE** Lire et comprendre tous les avertissements et instructions figurant sur la machine.
- A FAIRE** Tenir toutes les parties du corps à l'écart du disque et autres pièces en mouvement.
- A FAIRE** Savoir comment arrêter rapidement la machine en cas d'urgence.
- A FAIRE** Arrêter le moteur et le laisser refroidir avant d'effectuer le plein de carburant ou une opération d'entretien.
- A FAIRE** Inspecter le disque, les flasques et les axes pour vérifier qu'ils ne sont pas endommagés avant d'installer le disque.
- A FAIRE** Utiliser la taille de flasque de disque spécifiée pour chaque taille de disque.
- A FAIRE** Utiliser uniquement des disques diamantés à âme acier fabriqués pour une utilisation sur les scies à béton.
- A FAIRE** Utiliser uniquement les flasques de disque fournis avec la scie. Ne jamais utiliser de flasques de disque endommagés ou usés.
- A FAIRE** Utiliser uniquement des disques marqués avec une vitesse maximale de fonctionnement supérieure à la vitesse de l'axe du disque. Vérifier la vitesse en vérifiant la vitesse de rotation de l'axe du disque, le diamètre des poulies et le diamètre des flasques de disque.
- A FAIRE** Vérifier la configuration de l'entraînement de scie en vérifiant la vitesse de l'axe de disque, le diamètre des poulies et le diamètre des flasques de disque.
- A FAIRE** Lire toutes les consignes de sécurité et instructions accompagnant tout disque utilisé avec cette machine.
- A FAIRE** Inspecter soigneusement chaque disque avant de l'utiliser. S'il paraît endommagé ou présente une usure inhabituelle, **NE PAS UTILISER LE DISQUE.**
- A FAIRE** Monter le disque solidement et fermement ; serrer l'écrou du mandrin avec une clé.
- A FAIRE** S'assurer que le disque et les flasques sont propres et exempts de saleté et de débris avant de monter le disque sur la scie.
- A FAIRE** Utiliser le disque approprié au type de travail à effectuer. En cas de doute sur le disque à utiliser, demander conseil au fabricant de disques.
- A FAIRE** Faire preuve de prudence et suivre les instructions pour charger et décharger la machine.
- A FAIRE** N'utiliser cette machine que dans des endroits bien ventilés. L'inhalation de gaz d'échappement toxiques peut provoquer la mort.
- A FAIRE** Indiquer aux personnes présentes l'endroit où elles doivent se tenir lorsque la machine est en marche.
- A FAIRE** Établir un programme de formation pour tous les opérateurs de cette machine.
- A FAIRE** Demander aux personnes qui ne sont pas indispensables de s'éloigner du chantier. Ne jamais autoriser qui que ce soit à se tenir devant ou derrière le disque lors du fonctionnement du moteur.
- A FAIRE** Vérifier que le disque ne touche rien avant de faire démarrer le moteur.
- A FAIRE** Rester prudent lors du levage et du transport de cette machine.
- A FAIRE** Toujours bien arrimer la machine avant de la transporter.
- A FAIRE** Faire preuve de prudence et suivre les instructions pour mettre en place et transporter la machine.
- A FAIRE** Toutes les opérations d'entretien/réparation doivent être effectuées par un personnel compétent.
- A FAIRE** Vérifier que le trou de mandrin du disque correspond à la broche de la machine avant de monter le disque.
- A FAIRE** Toujours vérifier l'absence de dangers enterrés, tels que conduites de gaz ou d'électricité, avant le sciage. Toujours consulter les compagnies de service public locales avant de travailler dans une zone non connue.
- A FAIRE** Éloigner la machine d'au moins 3 mètres du lieu où est effectué le plein de carburant avant **de faire démarrer** le moteur et vérifier que le bouchon du réservoir est bien refermé et serré.
- A FAIRE** Soulever la machine uniquement par les points de levage indiqués.
- A FAIRE** Nettoyer la machine après chaque journée d'utilisation.
- A FAIRE** Utiliser la taille de flasque de disque spécifiée pour chaque taille de disque. Ne jamais utiliser de flasques de disque endommagés ou usés.
- A FAIRE** Manipuler le carburant avec précaution.
- A FAIRE** Scier uniquement en ligne droite et pas plus profondément qu'il n'est nécessaire pour le travail.

INSTRUCTIONS DE SÉCURITÉ

SÉCURITÉ D'ABORD !



CONSIGNES DE SÉCURITÉ A FAIRE ET À NE PAS FAIRE



AVERTISSEMENT : LE NON-RESPECT DE CES CONSIGNES DE SÉCURITÉ ET DES INSTRUCTIONS D'UTILISATION RISQUE D'ENTRAÎNER DES BLESSURES GRAVES OU MORTELLES.

A NE PAS FAIRE

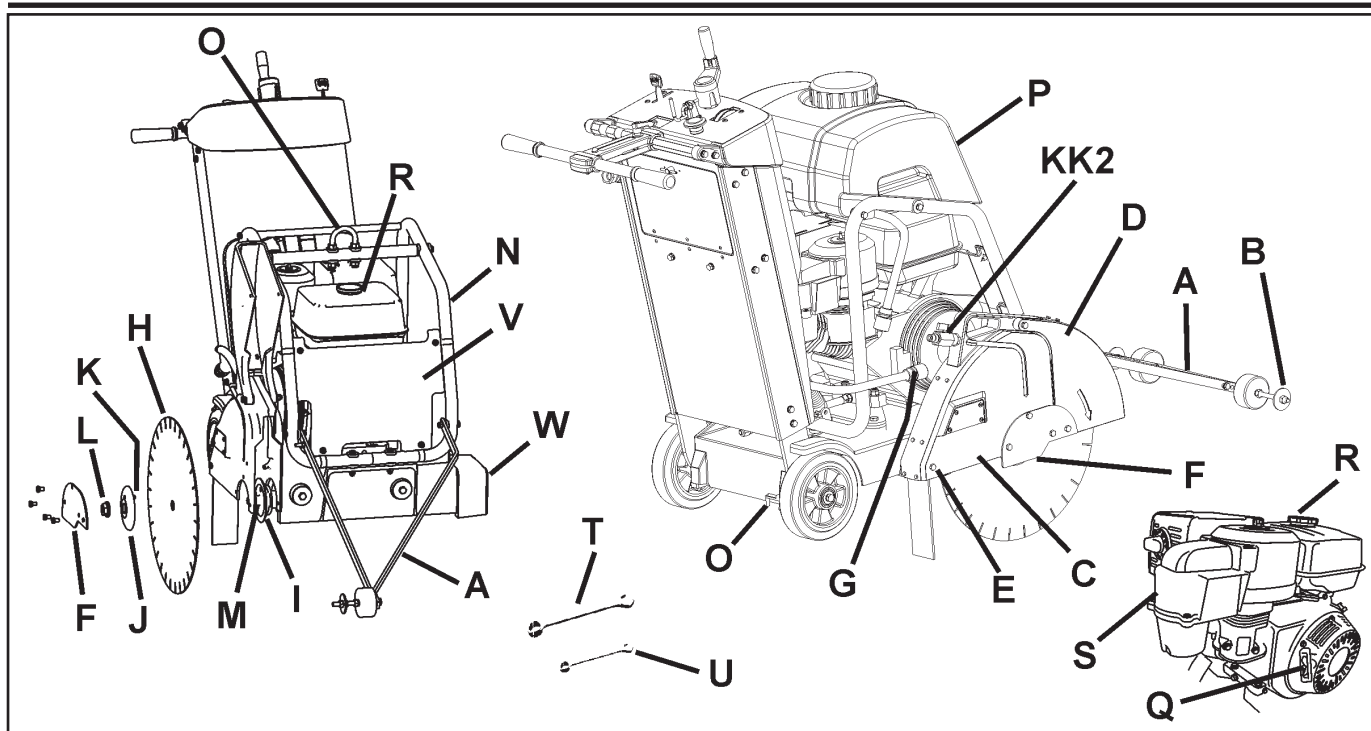
- NE PAS** utiliser cette machine avant d'avoir lu le manuel d'utilisation et compris ses instructions.
- NE PAS** utiliser cette machine si la protection de disque et les autres dispositifs de protection ne sont pas en place.
- NE PAS** se tenir derrière ni devant le disque durant la marche du moteur.
- NE PAS** laisser cette machine sans surveillance avec le moteur en marche.
- NE PAS** travailler sur cette machine avec le moteur en marche.
- NE PAS** utiliser cette machine alors qu'on est fatigué ou sous l'influence de drogues ou d'alcool.
- NE PAS** utiliser de disque de sciage à l'eau sans une alimentation en eau adéquate au disque.
- NE PAS** faire tourner le disque à une vitesse supérieure à la vitesse maximum spécifiée pour chaque taille de disque. Une vitesse excessive pourrait faire casser le disque.
- NE PAS** utiliser la machine en cas de doutes sur la manière de l'utiliser.
- NE PAS** utiliser de matériel ni de disques endommagés.
- NE PAS** toucher ni essayer d'arrêter un disque en mouvement avec la main.
- NE PAS** enrayer, coincer, bloquer ni tordre le disque dans une entaille.
- NE PAS** transporter une scie lorsque le disque y est monté.
- NE PAS** utiliser un disque qui est tombé ou a été endommagé.
- NE PAS** utiliser de disques à pointes en carbure.
- NE PAS** toucher un disque diamanté de sciage à sec immédiatement après son utilisation. Ces disques mettent plusieurs minutes à refroidir après chaque sciage.
- NE PAS** utiliser de flasques de disque endommagés ou usés.
- NE PAS** autoriser d'autres personnes à se tenir près de la machine lors du démarrage, du plein de carburant ni de son fonctionnement.
- NE PAS** utiliser cette machine dans un endroit clos. L'inhalation de gaz d'échappement toxiques pourrait provoquer la mort.
- NE PAS** utiliser cette machine à proximité de matières inflammables. Des étincelles pourraient provoquer un feu ou une explosion.
- NE PAS** laisser le disque exposé hors de la protection sur plus de 180 degrés.
- NE PAS** utiliser cette machine lorsque les protège-courroies ou le protège-disque sont enlevés.
- NE PAS** utiliser cette machine si l'on n'a pas été spécialement formé pour son utilisation.
- NE PAS** utiliser un disque qui a surchauffé (âme de couleur bleuâtre).
- NE PAS** coincer de matériaux dans le disque.
- NE PAS** meuler sur le côté du disque.
- NE PAS** remorquer cette machine derrière un véhicule.
- NE PAS** utiliser cette machine lorsque des protections ou carters sont enlevés.
- NE PAS** effectuer d'entaille de plus de 1" (25 mm) de profondeur par passe avec un disque de sciage à sec. Procéder par étapes pour effectuer des entailles plus profondes.
- NE PAS** utiliser cette machine alors qu'on est sous l'influence de drogues ou d'alcool.

Cette scie a été conçue uniquement pour certaines applications. **NE PAS** la modifier ni l'utiliser dans une application pour laquelle elle n'a pas été conçue. Pour toute question relative aux applications, **NE PAS** utiliser la scie avant d'avoir écrit à Husqvarna Construction Products et obtenu notre avis.

Husqvarna Construction Products North America
17400 West 119th Street, Olathe, Kansas 66061 ÉTATS-UNIS

NOTES

IDENTIFICATION DES PIÈCES



A. Flèche avant : Sert à guider la machine en ligne droite.

B. Galet guide : Sur la flèche avant (A). S'aligne sur la ligne de coupe et sur le disque (H) pour produire des coupes droites.

C. Protège-disque : Couvre le disque (H). Doit toujours être en place lors de l'utilisation de la machine ! Noter le sens de l'outil, indiqué par une flèche sur le protège-disque.

D. Avant du protège-disque : Un élément du protège-disque. Se soulève pour poser le disque (H).

E. Boulon arrière du protège-disque : Tient le protège-disque (C) en place. Doit être déposé et repositionné pour déplacer le protège-disque (C).

F. Plaquette d'accrochage du protège-disque : Couvre le flasque extérieur (J).

G. Raccord de flexible d'eau (G) : Raccorde le protège-disque (C) au robinet d'eau (KK) ou au réservoir d'eau (P). Peut s'utiliser lorsque le protège-disque (C) est monté sur le côté droit ou gauche de la machine

H. Disque : Outil qui coupe l'asphalte ou le béton – non fourni avec la machine.

I. Flasque intérieur : Mandrin sur lequel est monté le disque (H). Le changer s'il est usé ou endommagé.

J. Flasque extérieur : Sert à tenir le disque (H) en place. Contient la goupille de verrouillage (K), qui doit traverser le disque (H). Le changer s'il est usé ou endommagé.

K. Goupille de verrouillage : Tient le disque (H) en place. La changer si elle est usée ou endommagée.

L. Écrou d'axe de disque (L1 / L2) : Sert à fixer le flasque extérieur (J) sur la machine. L'écrou (L1) sur le côté droit de la machine a un filetage à gauche. L'écrou (L2) (non représenté) sur le côté gauche de la machine a un filetage à droite.

M. Mandrin de disque : Le disque (H) se monte sur

cette surface. N. Support de réservoir d'eau / point de levage : Soutient le réservoir d'eau (P). Soutient le point de levage (O).

O. Point de levage : Soulever la machine par ce point uniquement !

P. Réservoir d'eau (le cas échéant) : Capacité de 25 litres. Remplir d'eau uniquement ! Ne pas remplir d'essence ou autres substances inflammables ! Utiliser uniquement pour la suppression de poussière lors du coupage à sec. Utiliser uniquement avec des disques diamantés (H) soudés au laser (sec).

Q. Cordon de démarrage du moteur : Sert à démarrer le moteur. Voir le manuel d'utilisation du moteur.

R. ---

S. ---

T. Clé d'axe de disque (27 mm) : S'utiliser pour poser et déposer le disque (H). Ranger dans le compartiment à outils (BB).

U. Clé (13 mm) : S'utilise pour diverses opérations d'entretien de la machine. Ranger dans le compartiment à outils (BB).

V. Cache avant : S'accroche au support de réservoir d'eau (N).

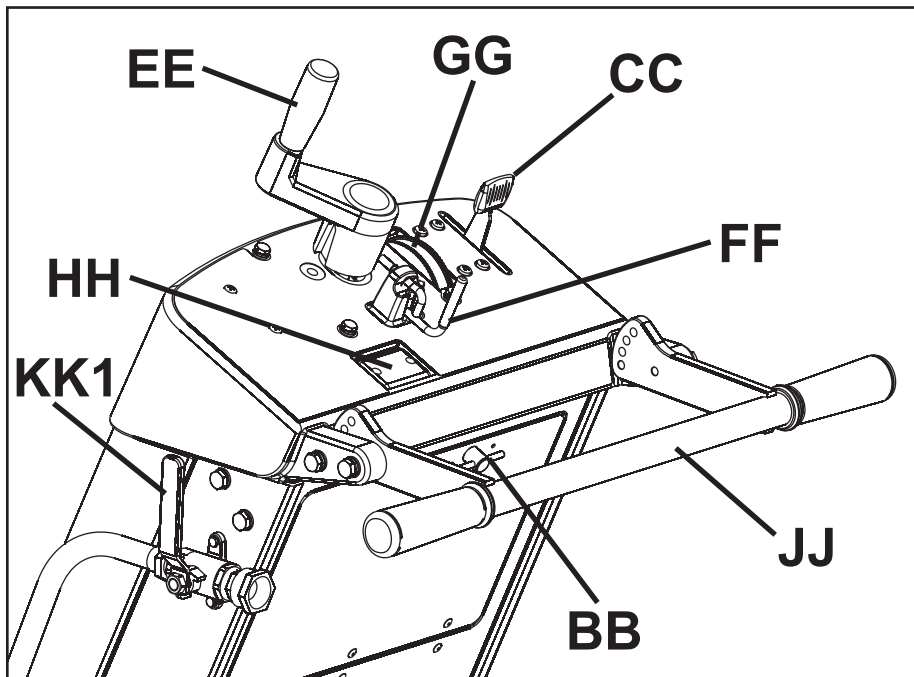
W. Protège-axe : Protège le flasque intérieur (I). Se pose toujours du côté du châssis opposé au protège-disque (C).

X. Graisseur de commande de profondeur : Non représenté. Voir la section Entretien de ce document.

Y. Bride de fixation du protège-disque : Tient le protège-disque (C) en place.

Z. Jauge d'huile du moteur : Sert à contrôler le niveau d'huile du moteur (non représentée - voir la section Utilisation de ce document).

IDENTIFICATION DES PIÈCES



AA. ---

BB. Compartiment à outils : Contient le manuel d'utilisation, la liste des pièces détachées et deux clés (T et U) (13 mm et 27 mm). S'ouvre en tournant le bouton de 180 degrés. Toujours remettre le manuel d'utilisation à cet endroit pour consultation ultérieure.

CC. Accélérateur du moteur : Commande le régime moteur (tr/min). Pousser la manette vers l'avant pour augmenter le régime du moteur. La tirer vers soi pour le réduire. Le sciage se fait toujours au régime moteur maximum.

DD. ---

EE. Commande de profondeur de disque : Tourner dans le sens des aiguilles d'une montre pour abaisser le disque diamanté (H) et dans le sens inverse pour le relever.

FF. Butée de profondeur du disque : Permet de verrouiller la commande de profondeur de disque (EE) dans sa position. Tirer la butée de profondeur de disque vers l'arrière de la machine et la tourner de 90 degrés pour la verrouiller en position ouverte.

GG. Indicateur de profondeur du disque : Indique la profondeur de coupe du disque diamanté (H) en centimètres (couleur orange) et en pouces (couleur blanche). Utilisation : Le moteur étant à l'ARRÊT (0), abaisser le disque diamanté (H) jusqu'à toucher la surface à couper. Tourner l'indicateur de profondeur de disque de manière à aligner le « 0 » avec les flèches. Relever le disque. Lorsque le disque est abaissé durant le sciage, la profondeur de coupe en cours est indiquée.

HH. Tachymètre du moteur (tr/min) : Affiche le régime du moteur en tours par minute lorsque le moteur est en marche. Affiche la durée d'utilisation totale lorsque le moteur est à l'arrêt (0). La durée d'utilisation totale est indiquée en minutes de 0 à 59 minutes, puis en heures au-delà de 60 minutes.

II. ---

JJ. Guidon : L'opérateur se place derrière la machine avec les deux mains sur le guidon. Le guidon peut être réglé dans diverses positions.

KK1. Robinet d'eau : Commande le débit d'eau vers le disque. Placé sur le côté gauche de la machine, près du guidon arrière (RR). Ne s'utilise pas avec le réservoir d'eau (le cas échéant).

KK2. Robinet d'eau du protège-disque : Commande le débit d'eau vers le disque. Placé sur le protège-disque. S'utilise avec le réservoir d'eau (le cas échéant).

LL. Protège-courroie (non représenté) : Couvre la courroie d'entraînement du moteur.

MM. Tendeur de courroie trapézoïdale : Sert à maintenir la tension de la courroie d'entraînement de l'axe de disque.

NN. Flexible de vidange d'huile : S'utilise pour vider l'huile du moteur.

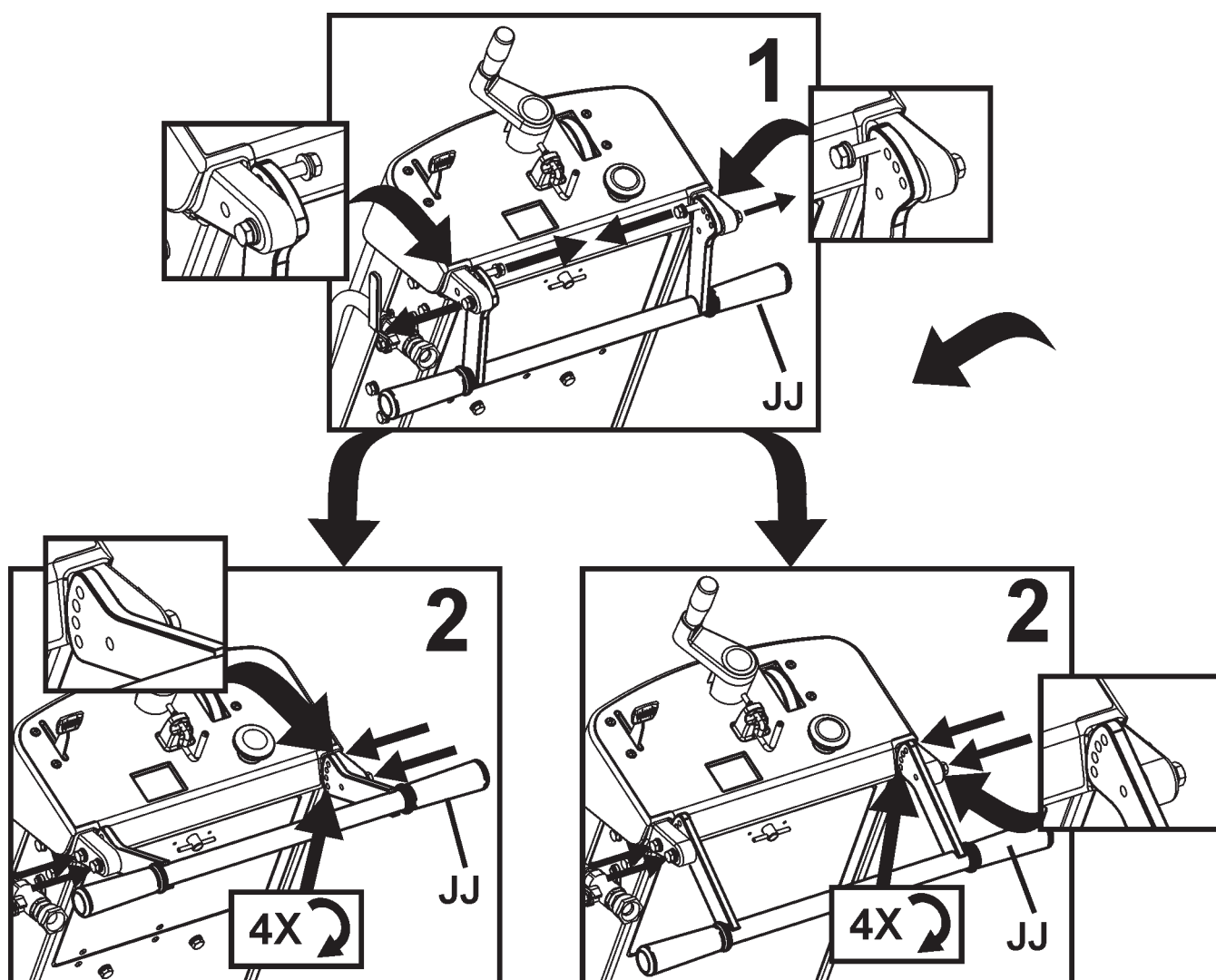
OO. Frein de stationnement (modèles UE uniquement) : Sert à immobiliser la machine en position de stationnement. Placé sur la roue arrière droite, à l'arrière de la machine. Utilisation : Pour engager, tourner le levier vers le haut pour permettre à la tige d'avancer vers l'intérieur. Pour libérer, tirer la tige vers l'intérieur et la tourner vers le bas pour la fixer en position intérieure.

ASSEMBLAGE

Assembler les éléments suivants avant d'utiliser la machine pour la première fois.

Mettre le guidon (JJ) en position correcte :

Le guidon (JJ) est livré dans la position de rangement montrée sur l'illustration. Il doit être relevé pour pouvoir utiliser la machine.

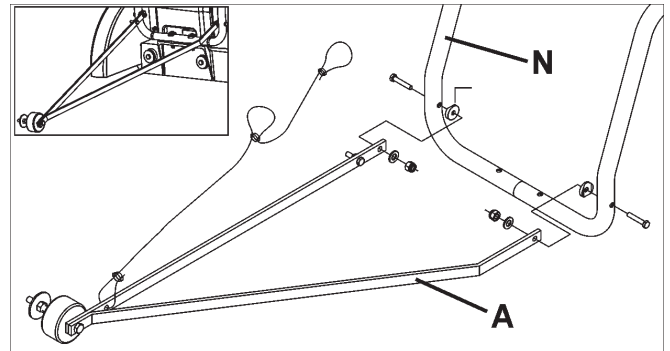


ASSEMBLAGE

Poser la flèche avant (A) :

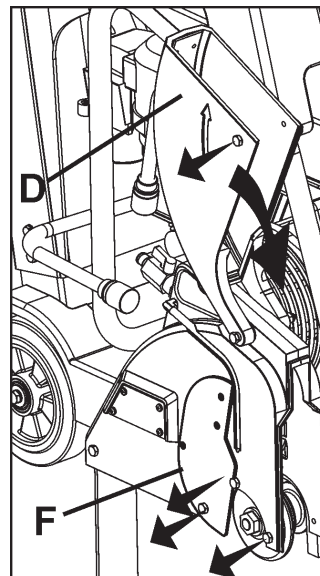
1. À l'aide des vis, rondelles et écrous fournis, poser la flèche avant (A) sur le cadre tubulaire du support de réservoir d'eau (N). Ajuster les écrous-freins de manière à permettre à la flèche (A) de pivoter librement.
2. Faire passer la corde de la flèche à l'écart des surfaces chaudes. Les deux boucles dans la corde permettent de l'attacher au guidon (JJ).

Remarque : « *Flèche simple* » (A) montrée sur l'illustration. Dans certaines régions, une « *flèche double* » est montée de série. La flèche double est disponible dans toutes les régions en tant qu'accessoire. Pour plus de renseignements, voir la section Accessoires de ce document ou la liste des pièces détachées.



Avant du protège-disque (D) :

1. À l'aide de la clé de 13 mm (U) fournie, déposer les deux (2) vis M8 situées à l'avant et sous la plaquette d'accrochage de protège-disque (F) et la vis M8 dans l'avant de protège-disque (D) [indiquées par des flèches]. Desserrer sans la déposer la vis restante sur la plaquette d'accrochage de protège-disque (F). Faire tourner la plaquette d'accrochage (F) et l'avant de protège-disque (D) vers le bas.

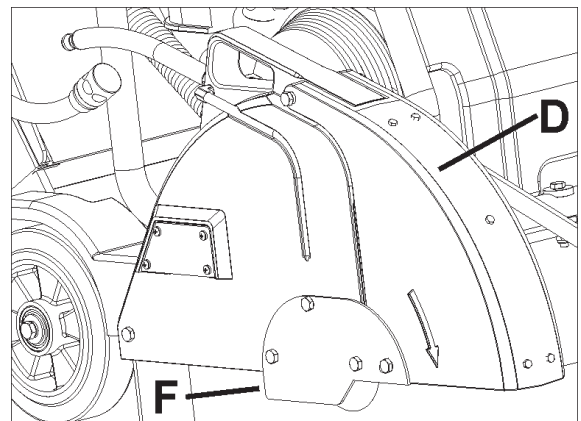


AVERTISSEMENT !

La plaquette d'accrochage de protège-disque (F) doit être en place avant utilisation. L'utilisation de la machine sans cette pièce peut produire une situation dangereuse !

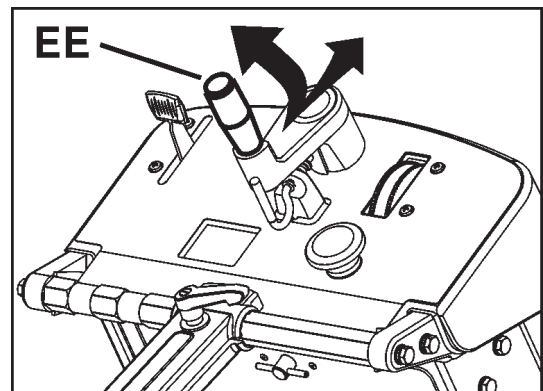
Toujours garder les protections en place durant l'utilisation de la machine !

2. Remettre les trois (3) vis M8 en place dans la plaquette d'accrochage (F) comme indiqué sur l'illustration à droite. À l'aide de la clé de 13 mm (U) (fournie), bien serrer les quatre (4) vis M8 de fixation de la plaquette d'accrochage de protège-disque (F).



Placement de la manette de commande de profondeur de disque (EE) en position correcte :

Tirer la manette de commande de profondeur de disque (EE) et la tourner de 90 degrés jusqu'à ce qu'elle s'enclenche dans la position représentée.



ASSEMBLAGE

Poser le réservoir d'eau (P) (le cas échéant) :

• Dans certaines régions, la machine peut être livrée avec un réservoir d'eau installé. Le réservoir d'eau est proposé sous forme de nécessaire en option dans toutes les régions.

• Si un réservoir d'eau est déjà posé sur la machine, lire ces instructions pour vérifier que la pose est correcte. Respecter tous les AVERTISSEMENTS concernant la pose et l'utilisation du réservoir d'eau.

• Vérifier le contenu du nécessaire de réservoir d'eau. Voir l'illustration à droite.

1. Déposer provisoirement l'ÉCROU du côté droit de l'étrier de levage (O) (même côté de la machine que la corde de démarrage). Voir l'illustration à droite.

2. Poser le COLLIER fourni avec le réservoir d'eau (P) puis remettre l'ÉCROU en place. Voir l'illustration à droite.

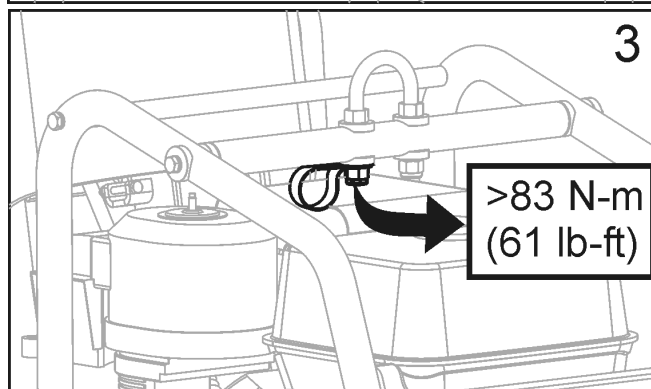
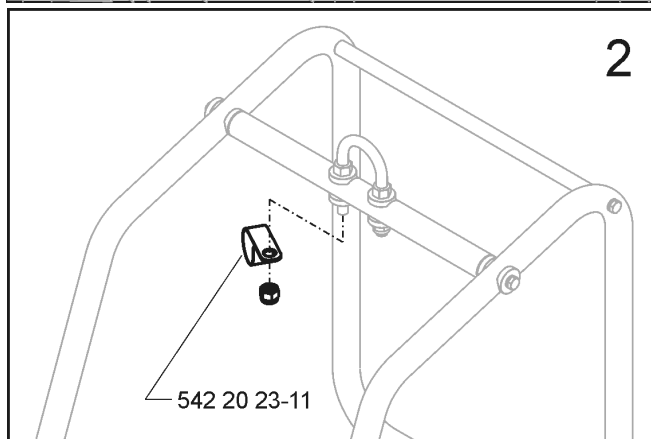
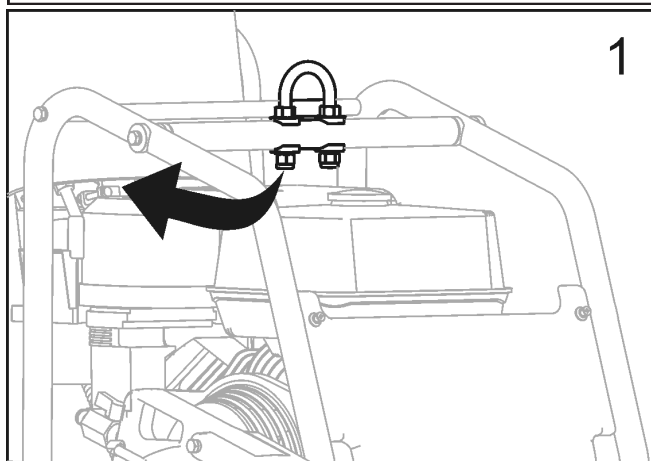
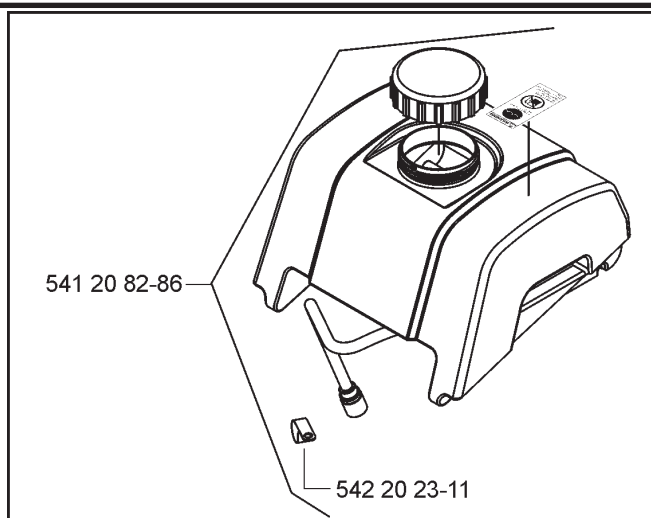
3. Serrer au couple indiqué ci-dessous et sur l'illustration à droite.

AVIS

Serrer l'ÉCROU de l'étrier de levage à 83 Nm (61 lb-ft) minimum.

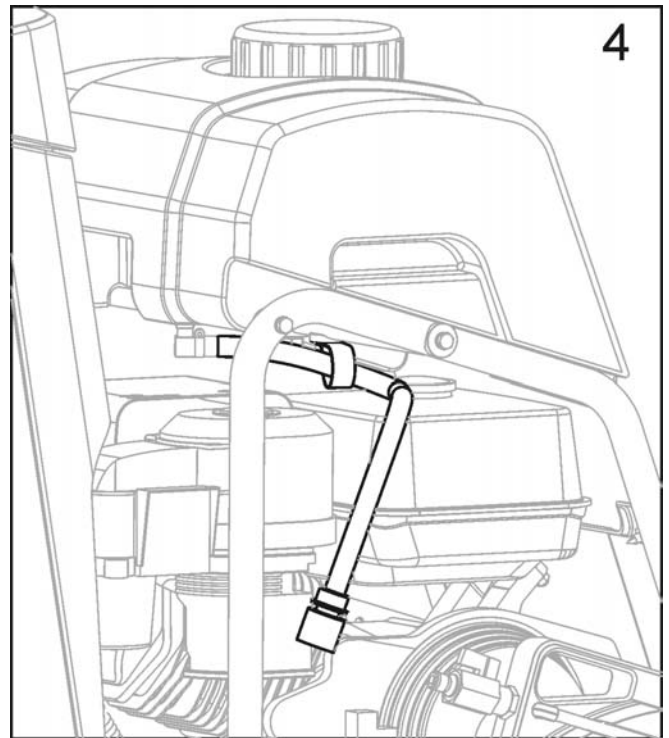
⚠ AVERTISSEMENT !

Pour écarter les risques de défaillance de l'ÉTRIER DE LEVAGE (O), serrer l'ÉCROU comme indiqué. Une défaillance de l'ÉTRIER DE LEVAGE durant le levage de la machine peut provoquer des blessures ou la mort.



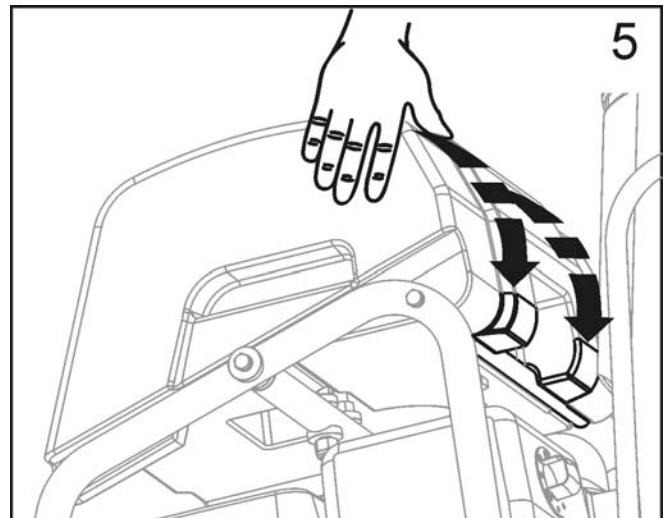
ASSEMBLAGE

4. Mettre le réservoir d'eau en place et acheminer le flexible d'eau comme sur l'illustration à droite.

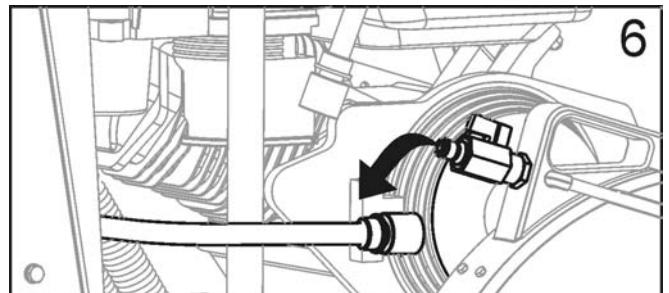


5. Aligner la barre arrière et le renforcement à l'arrière du réservoir d'eau.

- Pousser fermement le réservoir vers le bas pour l'enclencher sur la barre arrière.
- Lorsqu'il est correctement en place, le réservoir d'eau doit pivot librement sur la barre arrière.



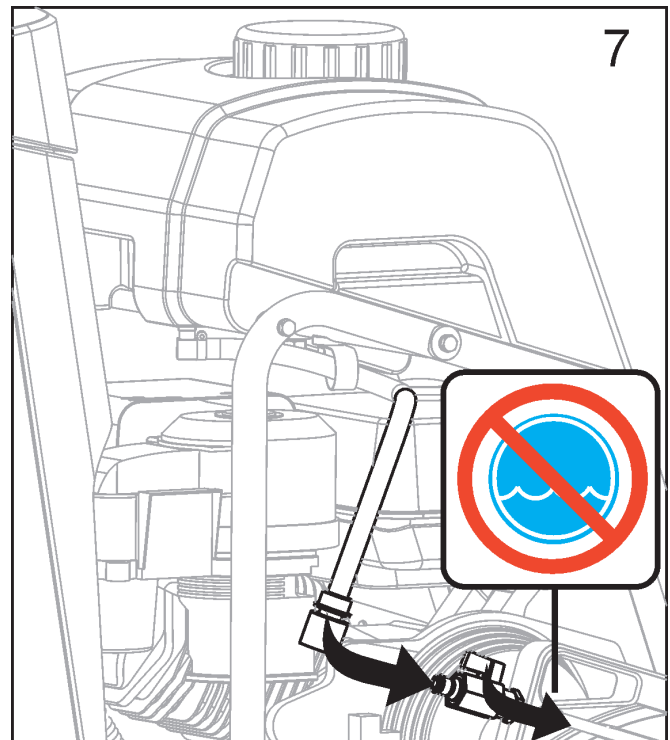
6. Débrancher le flexible d'eau existant du protège-disque. Il s'agit du flexible d'eau provenant du robinet d'eau monté sur la machine.



ASSEMBLAGE

7. Raccorder le flexible du réservoir d'eau au robinet d'eau du protège-disque.

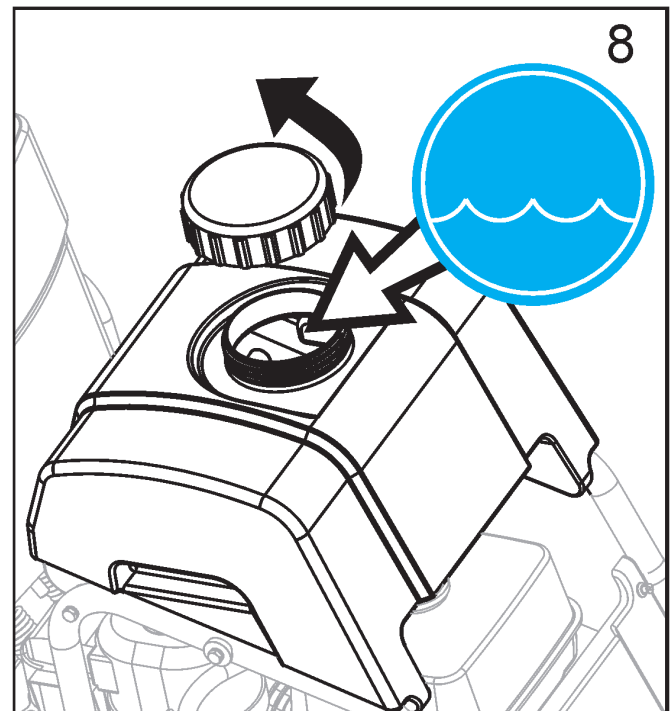
- Vérifier que le robinet d'eau du protège-disque est FERMÉ.
- Le réservoir d'eau est à présent installé sur la machine.



Remplir le réservoir d'eau :

8. Enlever le bouchon en le tournant dans le sens inverse des aiguilles d'une montre. Voir l'illustration à droite.

- Remplir le réservoir d'eau uniquement avec de l'eau. Lire tous les AVERTISSEMENTS avant d'utiliser le réservoir d'eau.
- Remettre le bouchon en place en tournant dans le sens des aiguilles d'une montre.
- Le réservoir d'eau est conçu pour supprimer la poussière de béton en suspension dans l'air et doit être utilisé uniquement avec des disques diamantés de sciage « à



AVERTISSEMENT !

NE PAS utiliser de disques diamantés classiques (humides) avec le réservoir d'eau en guise de source d'eau. Le débit d'eau n'est pas suffisant pour refroidir correctement le disque !

Remplir le réservoir d'eau uniquement avec de l'eau !!

Ne jamais remplir le réservoir d'eau (P) d'essence ou autres liquides inflammables, sous peine de risquer des blessures ou la mort !

UTILISATION

Avant utilisation

Emploi : Cette machine est uniquement destinée au sciage humide ou sec de béton et d'asphalte neufs et anciens.

⚠ AVERTISSEMENT !

NE PAS l'utiliser pour le découpage à sec dans les pays de l'Union européenne (UE). La machine n'est pas équipée d'une prise à poussière.

Outils : Utiliser la machine exclusivement avec les outils suivants (H) : Disques diamantés refroidis à l'eau. Ne PAS utiliser de disques abrasifs renforcés ni de disques diamantés de sciage à sec dans les pays de l'Union européenne (UE) par ce que cette machine, telle qu'elle est livrée, ne comporte pas de prise pour collecteur de poussière.

Diamètre : 300 mm (12") – 500 mm (20").

Alésage : 25,4mm (1,00").

⚠ AVERTISSEMENT !

NE PAS utiliser de lames en carbure, pour scies à bois ou scies circulaires sur cette machine, sous peine de risquer des blessures ou la mort.

Déplacement du protège-disque (C) - Si nécessaire :

Le protège-disque (C) est monté d'usine sur le côté droit de la machine, mais peut être placé sur le côté gauche. Ceci peut permettre de découper plus près de certains obstacles lorsqu'il n'est pas possible de les approcher depuis la direction opposée.

1. À l'aide de la clé de 13 mm (U), déposer le boulon arrière (E) du protège-disque (C).
2. Pousser le collier vers l'arrière pour détacher le raccord de flexible d'eau (G). La partie mâle reste sur le protège-disque (C). La partie femelle reste sur le réservoir d'eau (P) ou sur le robinet d'eau (KK).
3. Soulever le protège-disque (C) vers le haut pour le séparer de sa bride de fixation (Y).
4. À l'aide de la clé de 13 mm (U) déposer les quatre (4) vis de fixation de la plaquette d'accrochage de protège-disque (F). Rattacher la plaquette d'accrochage (F) sur le côté gauche du protège-disque (C).
5. Déposer et déplacer le protège-axe (W) du côté gauche au côté droit de la machine.
6. Abaisser le protège-disque (C) sur la bride de fixation de protège-disque (Y) du côté gauche de la machine.
7. Remettre le bouton arrière (E) en place dans le protège-disque (C).
8. Rattacher le raccord de flexible d'eau (G) du protège-disque (C) au réservoir d'eau (P) ou au robinet d'eau (K). Prendre garde à ce que le flexible ne touche pas le silencieux.
9. Déplacer et réaligner la flèche avant (A) de manière à avoir le galet guide (B) sur le côté gauche de la machine.

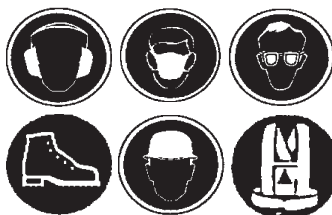
⚠ AVERTISSEMENT !



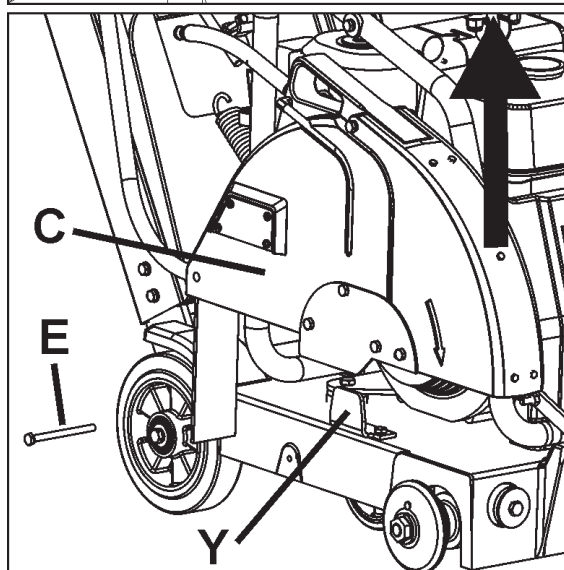
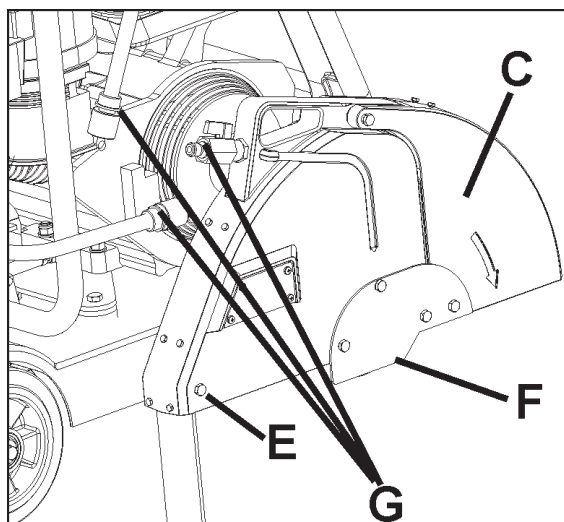
Avant d'utiliser la machine, lire et comprendre ce manuel d'utilisation en entier et le manuel d'utilisation du moteur fourni avec le moteur.



Veiller à se familiariser avec la machine avant utilisation !



L'utilisateur doit porter un équipement de protection individuelle et des vêtements adaptés au travail à effectuer. L'équipement de protection individuelle, notamment protection des yeux et des oreilles, est obligatoire.



UTILISATION

Transport et levage de la machine :

- Soulever la machine uniquement par le point de levage (O).
- Toujours déposer le disque (H) avant de lever, charger ou transporter la machine.
- Utiliser une sangle de levage d'une capacité nominale au moins égale à la masse maximale de la machine. Les masses nominale et maximale de la machine figurent dans la section DONNÉES TECHNIQUES de ce document.

Levage d'une machine équipée d'un réservoir d'eau :

- Avant de lever une machine équipée d'un réservoir d'eau :

1. Vider l'eau du réservoir.
2. Déposer le disque.
3. Abaisser la machine jusqu'à ce que le châssis soit parallèle au sol.
4. Pivoter l'avant du réservoir d'eau vers le haut jusqu'à l'appuyer contre le dessus du capot en aluminium. Ne pas appuyer le bouchon du réservoir d'eau contre l'avant du capot en plastique - ceci pourrait causer des dommages durant le levage.
5. Attacher une sangle adaptée au point de levage (O).
6. Faire un essai de levage de la machine à faible hauteur (quelques centimètres seulement) pour vérifier que le réservoir reste attaché à la machine et ne sera pas endommagé ni ne causera de dommages.
7. Si une machine équipée d'un réservoir d'eau ne peut pas être levée sans endommager le réservoir ou la machine, déposer le réservoir d'eau avant le levage.

AVIS

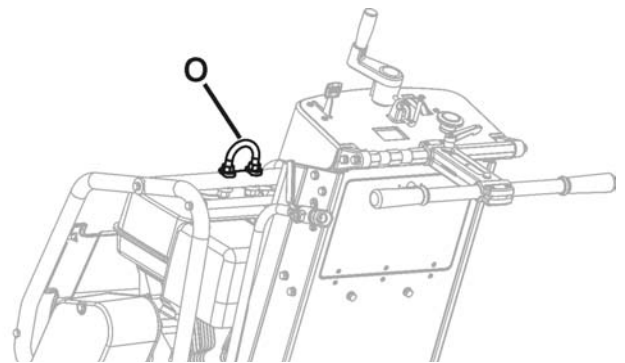
Le réservoir d'eau ou la machine peuvent être endommagés si la machine n'est pas levée comme il se doit. Observer le levage avec attention pour éviter tout dommage.

Stationner la machine :

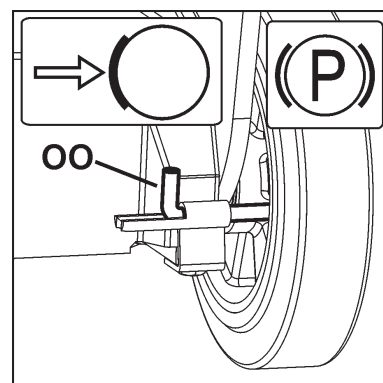
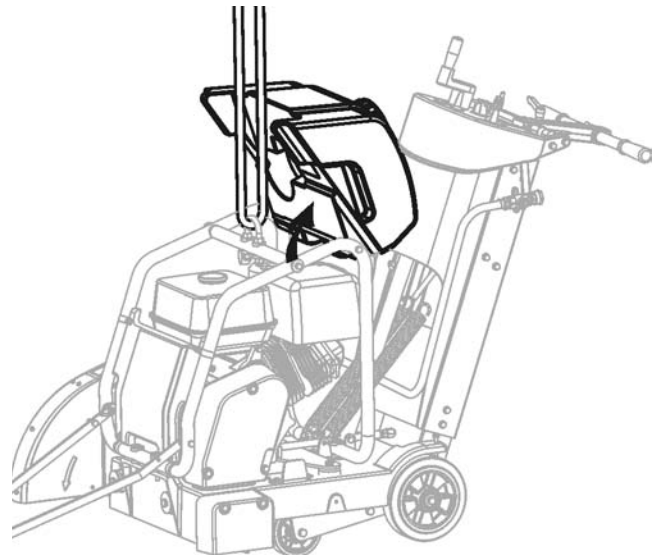
- Dans certaines régions du monde, les machines sont équipées d'un frein de stationnement.
- Le frein de stationnement est conçu pour maintenir la machine immobile sur une pente de 10 degrés ou moins, l'arrière de la machine étant vers l'aval (poids maximum sur la roue freinée).

 **Frein de stationnement - Engager (voir illustration) :** Sortir le levier de frein de stationnement (OO) de sa position désengagée :

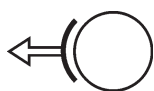
1. Tirer le levier (OO) vers le centre de la machine.
2. Tourner le levier (OO) de 180 degrés vers le haut.
3. Une ressort permet au levier (OO) d'avancer vers l'extérieur de la machine pour s'engager contre le moyeu de la roue.



Déposer le disque (H) avant de lever, charger ou transporter la machine.

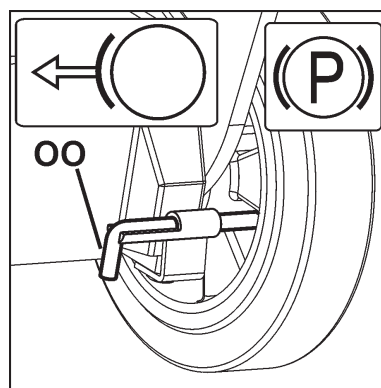


UTILISATION



Frein de stationnement - Libérer (voir illustration) Le frein de stationnement doit être libéré pour pouvoir faire fonctionner la machine.

1. Tirer le levier (OO) vers le centre de la machine.
2. Tourner le levier (OO) de 180 degrés vers le bas et le relâcher pour l'enclencher dans cette position.

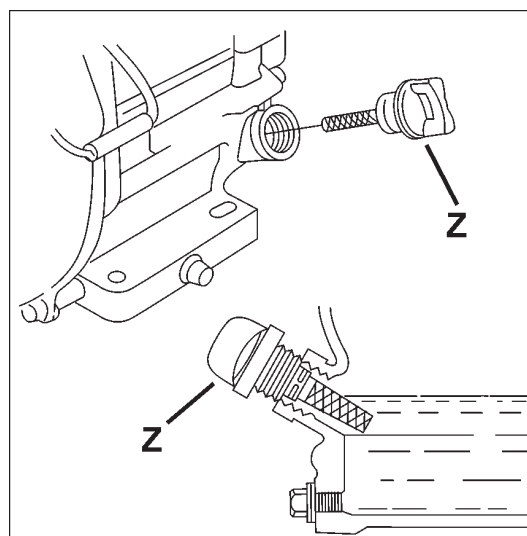


Modèles à moteur essence :

Voir le fonctionnement du moteur dans le manuel d'utilisation du moteur.

CARBURANT : Pour plus de renseignements, consulter le manuel du moteur.

HUILE : À l'aide de la jauge d'huile (Z), vérifier que le niveau d'huile moteur est correct. Lors du contrôle du niveau d'huile moteur, ne pas visser la jauge d'huile (Z) dans l'orifice. Bien que le moteur fonctionne souvent en position inclinée, vérifier le niveau d'huile avec le moteur horizontal. Contrôler souvent pour s'assurer que le niveau d'huile ne passe jamais en dessous du repère inférieur sur la jauge d'huile. L'huile 10W30 est conseillée. Pour plus de renseignements, consulter le manuel du moteur.



Tous modèles :

Vérifier l'alignement de la flèche avant (A) avec le disque. Placer une règle contre le flasque intérieur (I). Aligner la flèche avant (A) sur la règle. Le cas échéant, ajuster la flèche avant (A) en desserrant les écrous de fixation du galet guide (B). Aligner le galet guide (B) sur la règle et resserrer les écrous.

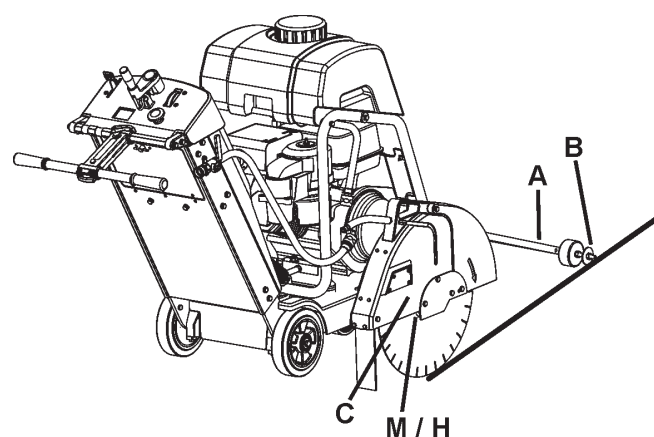
Vérifier que la tubulure d'eau dans le protège-disque (C) est ouverte et que chaque côté du disque reçoit suffisamment d'eau.

Contrôler la pression et le volume (débit) de l'alimentation en eau avant de démarrer la machine.

Ne pas scier plus profondément qu'il n'est nécessaire pour le travail. Un sciage plus profond que nécessaire ajoute à l'usure du disque et de la machine.

Scier par passes successives de 50 mm de profond jusqu'à atteindre la profondeur de sciage spécifiée. Ceci est le « sciage par degrés ».

Scier uniquement en ligne droite. Tracer clairement la ligne de coupe afin que l'opérateur de la machine puisse la suivre sans difficulté. NE PAS dévier la machine d'un côté à l'autre pour forcer le réalignement du disque.



UTILISATION

Pose du disque diamanté (H) :



Le disque diamanté (H) se met en place sur le chantier. Ne pas transporter la machine avec le disque diamanté (H) en place.

1. Ouvrir le cache avant (V).
2. Mettre le contacteur de démarrage du moteur (DD) en position d'ARRÊT (0).
3. Relever le disque diamanté (H) jusqu'à sa position la plus haute en tournant la commande de profondeur de disque (EE) dans le sens des aiguilles d'une montre.
4. À l'aide de la clé de 13 mm (U) rangée dans le compartiment à outils (BB), desserrer et déposer les quatre (4) boulons de fixation de la plaquette d'accrochage de protège-disque (F). Déposer provisoirement la plaquette d'accrochage de protège-disque (F).
5. Relever l'avant du protège-disque (D).
6. À l'aide de la clé d'axe de disque de 27 mm (T), desserrer et déposer l'écrou d'axe de disque (L) qui maintient le flasque extérieur (J) en place.
7. Déposer le flasque extérieur (J).

AVIS

L'écrou d'axe de disque (L1) sur le côté droit de la machine a un filetage à gauche. Pour desserrer, tourner dans le sens des aiguilles d'une montre.

L'écrou d'axe de disque (L2) (non représenté) sur le côté gauche de la machine a un filetage à droite. Pour desserrer, tourner dans le sens inverse des aiguilles d'une montre.

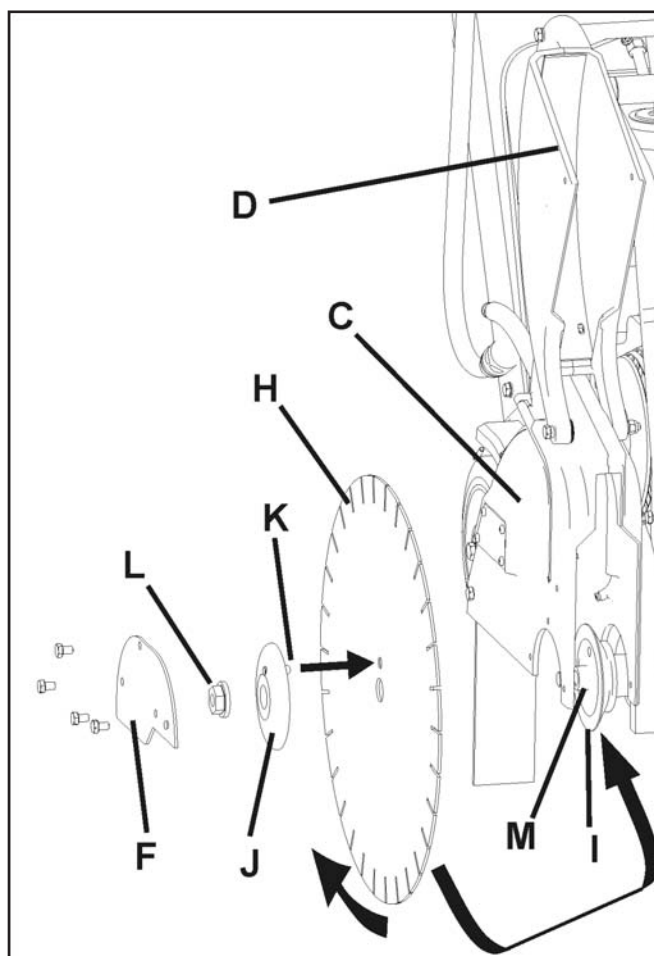
8. Vérifier que le mandrin d'axe de disque (M), le flasque intérieur (I) et le flasque extérieur (J) sont propres et exempts de corps étrangers.
9. Enfiler le disque diamanté (H) sur le mandrin d'axe (M). Le sens de rotation est indiqué par des flèches sur le disque diamanté (H) et l'avant de protège-disque (D). Voir l'illustration à droite.
10. Poser le flasque extérieur (J) sur le mandrin d'axe de disque (M). Vérifier que la goupille de verrouillage (K) traverse le disque diamanté (H) et s'engage dans le flasque intérieur (I).
11. Tourner le flasque extérieur (J) et le disque diamanté (H) dans le sens opposé à celui de la rotation du disque pour éliminer le jeu.
12. Poser l'écrou d'axe de disque (L). Serrer à l'aide de la clé d'axe de disque de 27 mm (T).

AVIS

L'écrou d'axe de disque (L1) sur le côté droit de la machine a un filetage à gauche. Pour serrer, tourner dans le sens inverse des aiguilles d'une montre. Serrer à un couple de 45 Nm (33 lb-ft) au minimum.

L'écrou d'axe de disque (L2) (non représenté) sur le côté gauche de la machine a un filetage à droite. Pour serrer, tourner dans le sens des aiguilles d'une montre. Serrer à un couple de 45 Nm (33 lb-ft) au minimum.

13. Abaisser l'avant du protège-disque (D).
14. Remonter et serrer la plaquette d'accrochage de protège-disque (F).



⚠ AVERTISSEMENT !

UTILISER UNIQUEMENT des disques (H) marqués d'une vitesse maximale d'exploitation supérieure à la vitesse de l'axe de disque.

NE PAS utiliser la machine sans protection adaptée sur le disque diamanté (H).

NE PAS utiliser la machine avec l'avant de protège-disque (D) relevé.

La portion de disque (H) exposée NE DOIT PAS dépasser 180 degrés durant la marche de la machine.

Les surfaces de contact du mandrin d'axe de disque (M), du flasque intérieur (I) et du flasque extérieur (J) doivent IMPÉRATIVEMENT être propres et exempts de corps étrangers.

NE PAS transporter la machine avec le disque (H) en place.

NE PAS utiliser de disques diamantés (H) classiques (humides) sans eau.

LIRE les instructions d'utilisation fournies avec le disque (H).

NE PAS installer le disque (H) sauf si l'interrupteur d'alimentation est en position ARRÊT (0) et débranché de l'alimentation électrique.

UTILISATION

Démarrer et scier avec la machine :

- À l'aide de la commande de profondeur (EE), relever le disque diamanté (H) aussi haut que possible afin de ne pas heurter le sol en manœuvrant. Tirer la butée de profondeur (FF) au besoin.
- Libérer le frein de stationnement (le cas échéant).
- Mettre la machine en position près de la ligne de coupe.
- Abaisser la flèche avant (A) jusqu'à la surface de coupe.
- Régler l'indicateur de profondeur (GG) (emploi facultatif) :
 - 1) Abaisser la machine jusqu'à ce que le disque diamanté touche la surface à couper.
 - 2) Régler le cadran de l'indicateur de profondeur (GG) de manière à aligner les flèches sur le zéro (0). La couleur orange correspond à la profondeur de coupe en centimètres. La couleur blanche indique la profondeur en pouces.
 - 3) Relever la scie jusqu'à sa hauteur maximale. À présent, lorsque le disque diamanté (H) est abaissé, l'indicateur de profondeur (GG) affiche la profondeur de coupe.
 - 4) Ramener le disque diamanté (H) à sa position haute.
- Vérifier que l'accélérateur du moteur (CC) est en position « START ».
- Démarrer le moteur. Pour plus de renseignements, consulter le manuel du moteur.
- Vérifier visuellement que la rotation de l'outil correspond au sens de la flèche figurant sur le protège-disque.
- Ouvrir le robinet d'eau (KK) au MAXIMUM. Vérifier le débit d'eau maximum puis ajuster le quantité d'eau sur disque AVANT d'abaisser le disque.
- Effectuer l'alignement final de la scie par rapport à la ligne de coupe. Vérifier que le galet guide (B) et le disque diamanté (H) sont tous deux sur la ligne de coupe.

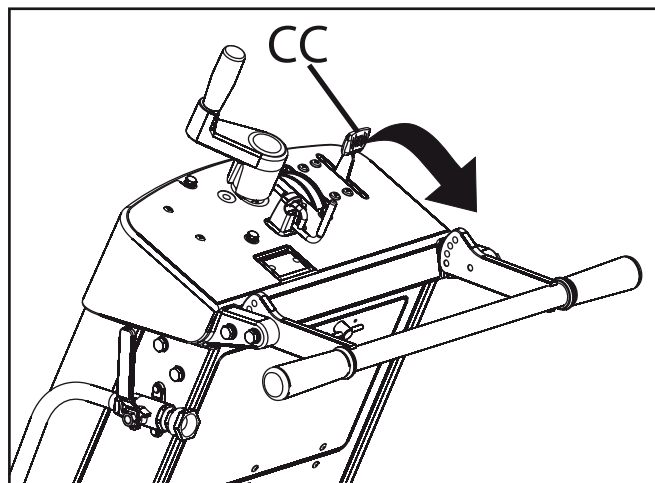
Si l'arrivée d'eau est interrompue, arrêter immédiatement le sciage. Le sciage sans eau peut endommager le disque diamanté (H).

- Abaisser le disque diamanté (H) dans la surface à couper en tournant lentement la commande de profondeur de disque (EE) dans le SENS INVERSE DES AIGUILLES D'UNE MONTRE.
- Lorsque la profondeur de coupe souhaitée est atteinte, enfoncer la Butée de profondeur du disque (FF) pour l'engager dans la commande de profondeur de disque (EE) (facultatif).
- Pousser sur le guidon (JJ) sans forcer pour faire avancer la machine. Observer le disque diamanté (H) et le galet guide (B) avec attention pour maintenir la machine sur la ligne de coupe.
- Lorsque la coupe est terminée, dégager la butée de profondeur du disque (FF).

- Relever le disque diamanté (H) hors du trait de sciage en tournant lentement la commande de profondeur de disque (EE) dans le SENS DES AIGUILLES D'UNE MONTRE.
- Fermer le robinet d'eau (KK).
- Tirer l'accélérateur du moteur (CC) vers l'arrière jusqu'en « STOP ».

AVIS

Si une situation d'urgence se produit durant le sciage, ARRÊTER immédiatement la machine à l'aide de arrêt de la machine (CC).



Pour effectuer un ARRÊT de la machine, tirer l'accélérateur du moteur (CC) vers l'arrière jusqu'en position « STOP ».

ENTRETIEN ET LUBRIFICATION

GUIDE RAPIDE D'ENTRETIEN COURANT :

Avant toute opération d'entretien, **TOUJOURS** stationner la machine sur une surface horizontale, avec le moteur à l'ARRÊT et le contacteur du moteur en position d'ARRÊT. Laisser la machine refroidir ! Les autres opérations d'entretien et de réparations doivent être confiées à un technicien qualifié.

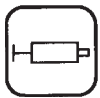
À FAIRE CHAQUE JOUR :

1. Vérifier le niveau d'huile moteur.
2. Vérifier que le protège-disque n'est pas endommagé.
3. Contrôler le filtre à air du moteur, le changer s'il est sale. Le faire plus souvent dans des conditions très poussiéreuses.
4. Nettoyer la machine chaque jour.

À FAIRE TOUTES LES 50 HEURES :

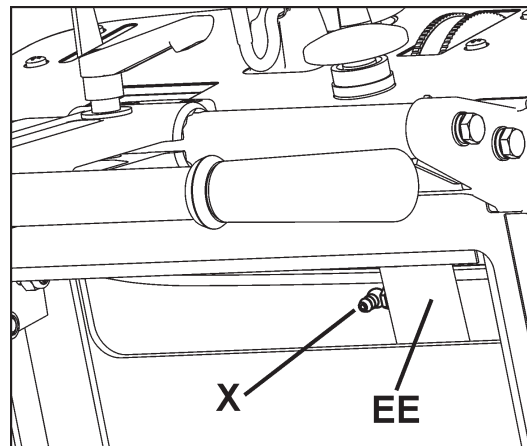
1. Changer l'huile moteur et le filtre à huile.
2. Nettoyer les ailettes du moteur.
3. Graisser la commande de profondeur.
4. Vérifier l'état général et l'usure des roues.
5. Vérifier la tension de la courroie d'entraînement du disque.

LUBRIFICATION :



Graisseur de la commande de profondeur (X) : Un graisseur est prévu pour le graissage de la vis de commande de profondeur du disque (EE). Pour accéder au graisseur :

- Relever le disque diamanté (H) jusqu'à sa hauteur maximale. Ouvrir le compartiment à outils (BB) et sortir provisoirement la pochette du manuel d'utilisation.
- Le graisseur (X) se trouve près du sommet du tube de la commande de profondeur de disque (EE).
- Pomper de la graisse dans le graisseur. Relever et abaisser le disque plusieurs fois pour faire circuler la graisse dans le tube.
- Remettre la pochette du manuel d'utilisation en place et refermer le compartiment à outils (BB).



Huile moteur :

Contrôle de l'huile moteur :



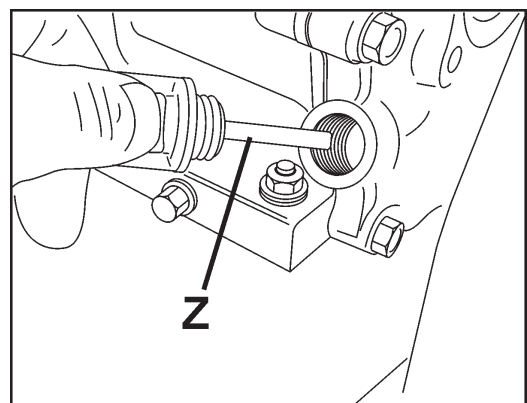
Vérifier que le niveau d'huile moteur est correct.



La jauge d'huile moteur (Z) se trouve sur l'avant du moteur. Compléter le niveau par l'orifice de la jauge d'huile. Lors du contrôle du niveau d'huile, ne pas visser la jauge d'huile moteur (Z).

Bien que le moteur fonctionne souvent en position inclinée, vérifier le niveau d'huile avec le moteur horizontal. Contrôler souvent pour s'assurer que le niveau d'huile ne passe jamais en dessous du repère inférieur sur la jauge d'huile. L'huile 10W30 est conseillée.

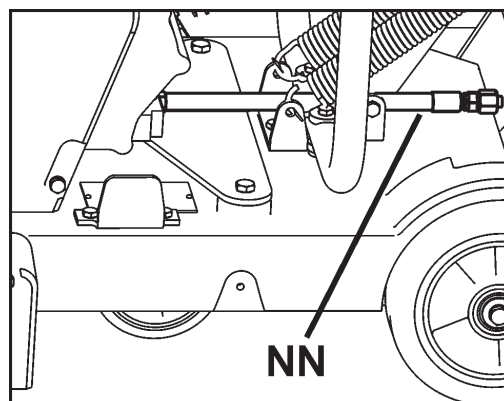
Pour plus de renseignements, consulter le manuel du moteur.



ENTRETIEN ET LUBRIFICATION

Changer l'huile moteur :

- Mettre le contacteur de démarrage du moteur (DD) en position d'ARRÊT (0). Laisser le moteur refroidir. Utiliser la commande de profondeur (EE) pour incliner la machine légèrement vers l'arrière.
- Déplacer le flexible de vidange d'huile (NN) vers le côté de la machine. Placer un récipient adapté, d'une capacité suffisante pour contenir toute l'huile du moteur, à côté de la machine pour recueillir l'huile.
- Ouvrir l'embout du flexible de vidange d'huile (NN) et laisser l'huile s'écouler dans le récipient. Une fois l'huile vidangée, reboucher le flexible de vidange, bien serrer et remettre le flexible dans sa position d'origine.
- Remplir le moteur avec la quantité d'huile préconisée - voir les détails dans le manuel du moteur.
- Éliminer l'huile usagée de façon écologiquement acceptable.



Tension de la courroie d'entraînement de l'axe de disque : La courroie d'entraînement doit être retendue au bout des quelques premières heures de marche. Le tendeur de courroie (MM) maintient la tension de la courroie d'entraînement.

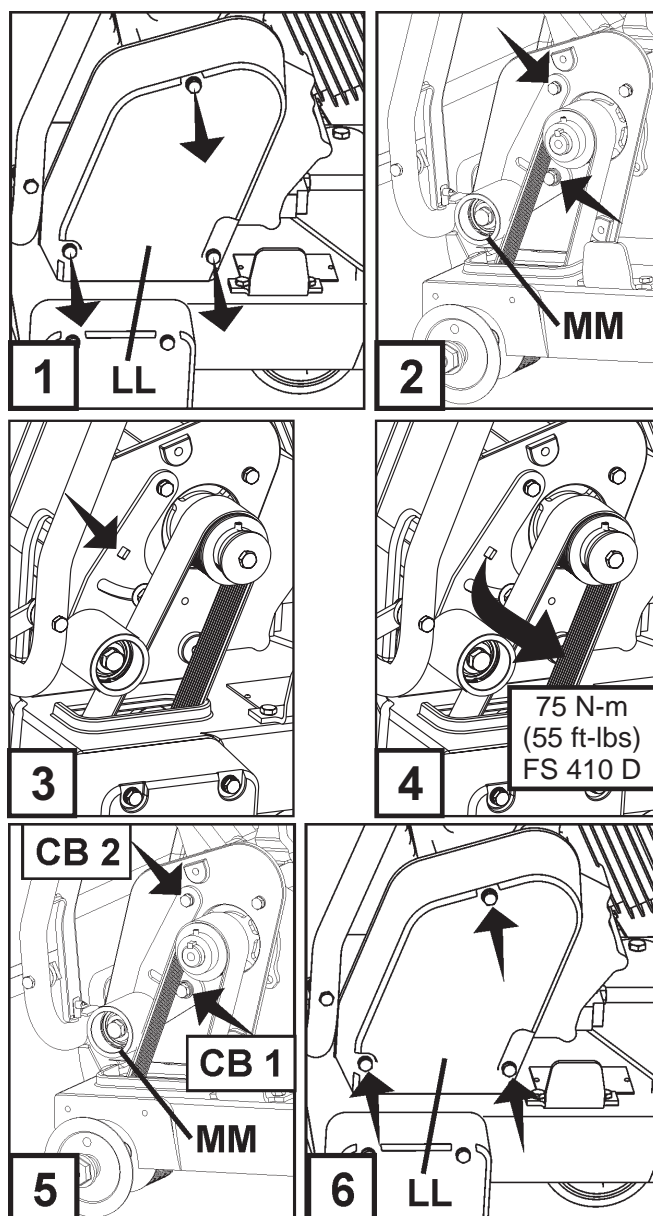
Outillage nécessaire :

1. À l'aide de la clé de 13 mm (U), déposer les trois (3) boulons M8 de fixation du protège-courroie (LL). Déposer le protège-courroie (LL).
2. À l'aide des clés de 13 mm et de 14 mm, desserrer légèrement les deux (2) boulons de fixation du tendeur de courroie (MM) [boulons indiqués par les (2) flèches].
3. Poser la clé dynamométrique sur l'orifice carré du tendeur de courroie (MM).

4. Appliquer un couple au tendeur (MM) de manière à pousser le tendeur (MM) contre la courroie trapézoïdale. Serrer au couple indiqué à la figure 4.

5. Serrer le boulon central (CB1) pour immobiliser le tendeur de courroie (MM), puis serrer l'autre boulon (CB2).

6. Remettre le protège-courroie (LL) en place. À l'aide de la clé de 13 mm (U), serrer les trois (3) boulons M8 de fixation du protège-courroie (LL).



ENTRETIEN ET LUBRIFICATION

Vitesse du régulateur

Il est essentiel que le régulateur et la commande des gaz soient correctement réglés sur les moteurs à combustion interne. Le régime du moteur est préréglé à l'usine pour produire une vitesse de sciage correcte. Il n'est normalement PAS nécessaire de modifier ce réglage. Le vérifier à intervalles réguliers après la mise en service de la machine. Pour modifier le réglage du régulateur, se reporter au manuel du moteur.



AVERTISSEMENT !

Une vitesse excessive du disque diamanté (H) peut entraîner une rupture du disque et des blessures de l'opérateur et autres personnes présentes ! Pour assurer un réglage correct du régulateur, déterminer la bonne vitesse de l'axe de disque (en tr/min) à l'aide de la table ci-contre. Suivre les instructions de réglage du régulateur et de la commande des gaz fournies par le fabricant du moteur.

Vitesse d'axe et régime moteur

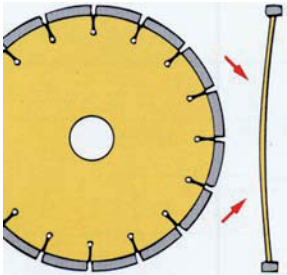
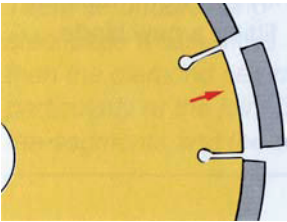
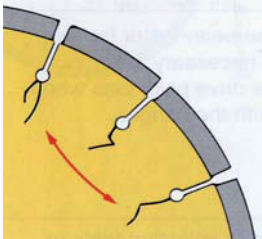

Modèle	Vitesse d'axe (tr/min)	Régime moteur (tr/min)
FS 410 D	2600	3600

GUIDE DE DÉPANNAGE

Le moteur ne démarre pas :

Cause	Action
Commutateurs électriques pas dans la bonne position.	Vérifier que arrêt de la machine (AA) ET le contacteur de démarrage (DD) sont TOUS DEUX en position de MARCHE. Arrêt de la machine (AA) doit être tiré vers l'extérieur du capot et le contacteur de démarrage (DD) en position « 1 » (MARCHE).
Le robinet de carburant est fermé.	Ouvrir le robinet de carburant.
Volet de départ ouvert.	Fermer le volet départ (starter) si le moteur est froid.
Réservoir de carburant vide.	Faire le plein de carburant.
Contamination ou glace dans le circuit d'essence.	Nettoyer le réservoir, les conduites de carburant et le carburateur. Remplir de carburant propre.
Électrodes de bougies encrassées.	Nettoyer et contrôler l'écartement des électrodes.
Le moteur manque de puissance ou ne tourne pas régulièrement. Filtre à air encrassé.	Nettoyer ou changer le filtre à air.

Dépannage du disque diamanté :

Problème	Cause et action
Perte de tension du disque diamanté 	<p>Le disque est utilisé sur une scie mal alignée. Contrôler l'alignement de la scie.</p> <p>Le disque est trop « dur » pour le matériau scié, ce qui produit des contraintes sur l'âme de disque en acier. Vérifier que le disque convient pour le matériau scié.</p> <p>Des flasques de disque de différents diamètres ou trop petits produisent une pression inégale sur l'âme du disque. Utiliser des flasques de format correct de part et d'autre du disque. Ne jamais utiliser de flasques usés ou endommagés.</p> <p>Disque utilisé à une vitesse incorrecte (tr/min). S'assurer que l'axe de disque tourne à la vitesse correcte pour la taille du disque. Contrôler la vitesse de rotation à l'aide d'un tachymètre.</p> <p>Disque mal posé sur le mandrin. Il peut se voiler lorsque les flasques sont serrés.</p>
Perte de segments 	<p>Disque trop « dur » pour le matériau scié. Utiliser un disque plus « tendre ».</p> <p>Surchauffe du disque, indiquée par un « bleuissement » de l'âme. Vérifier que l'arrivée d'eau est suffisante et qu'elle n'est pas obstruée.</p> <p>La scie est déviée durant le sciage. Scier uniquement en ligne droite.</p> <p>L'alésage du disque est usé de façon excentrique (oval). Changer le disque et la broche usée.</p> <p>Segment heurté durant la pose ou le transport. Manipuler le disque diamanté avec précaution. Ne jamais transporter la machine avec le disque diamanté en place.</p>
Âme de disque fissurée 	<p>Disque trop « dur » pour le matériau scié. Utiliser un disque plus « tendre ».</p> <p>Surchauffe du disque, indiquée par un « bleuissement » de l'âme. Vérifier que l'arrivée d'eau est suffisante et qu'elle n'est pas obstruée.</p> <p>La scie est déviée durant le sciage. Scier uniquement en ligne droite.</p> <div style="border: 1px solid black; padding: 5px; text-align: center;"> <p>⚠ AVERTISSEMENT !</p> <p>NE PAS utiliser de disque diamanté endommagé ! L'utilisation de la machine avec un disque diamanté endommagé présente un danger de blessure, voire de mort !</p> </div>
Segments de disque fissurés 	<p>Disque trop « dur » pour le matériau scié. Utiliser un disque plus « tendre ».</p> <p>Disque utilisé à une vitesse incorrecte (tr/min). S'assurer que l'axe de disque tourne à la vitesse correcte pour la taille du disque. Contrôler la vitesse de rotation à l'aide d'un tachymètre.</p>

**Voir le manuel
d'utilisation
du moteur.**

DONNÉES TECHNIQUES

Données techniques – Niveau sonore, CEM et VMB

Niveau sonore		
MODÈLE	NIVEAU DE PUISSANCE	NIVEAU DE PRESSION
-----	Lwa (dB) EN 23744	Lpa (dB) EN ISO 11201
FS 410 D	107	91,3
	-	-

CEM

(Compatibilité électromagnétique)

Ce matériel a été testé pour la CEM en utilisant les méthodes décrites dans la directive EN14982:98. Les tests ont révélé que le matériel ne dépassait pas les limites d'émissions. Cette scie a été testée dans une chambre semi-anéchoïde, au NCEE (laboratoire enregistré auprès de la FCC) de Lincoln, au Nebraska, É.-U. Le rapport de ce test est archivé chez Husqvarna Construction Products, Olathe, Kansas, É.-U.

VMB

(Vibrations main-bras)

Ce matériel a été testé pour les vibrations main-bras conformément à ISO 5349. Les résultats sont présentés dans le tableau suivant.

Modèle	Vibrations maximum (Aeq) en m/s ²	Durée d'exposition maximum
FS 410 D	3.5	+51%


La valeur **Aeq** représente les vibrations continues mesurées au niveau du guidon déployé, exprimées sous forme d'accélération en m/s² (mètres par seconde carrée). Les valeurs ont été mesurées avec un moteur totalement chaud, tournant à son régime nominal maximum et avec un disque de 500 mm. Le point de mesure était la poignée du guidon déployé. Les appareils de mesure étaient un vibromètre humain Larson Davis modèle HVM100 et un accéléromètre triaxial SEN021. L'accéléromètre était fixé à un adaptateur manuel, qui permet de capter la même amplitude de vibrations que la main de l'opérateur.

La **durée d'exposition maximum** est une valeur calculée pour une journée de travail de référence de 8 heures et la « valeur d'exposition journalière » de 2,5 m/s² est telle que définie dans la Directive 2002/44/CE du 25 juin 2002. La durée d'exposition aux vibrations journalière pondérée dans le temps se calcule à l'aide de la formule suivante :

$$\text{Durée d'exposition maximum} = (2,5/\text{Aeq})^2 \times 8 \text{ heures}$$

Une surexposition aux vibrations peut provoquer des lésions aux vaisseaux sanguins ou aux nerfs chez les personnes souffrant de problèmes de circulation sanguine. Consulter un médecin en cas de présence de symptômes physiques pouvant être liés à une surexposition aux vibrations. Exemples de ces symptômes : engourdissement, manque de sensation, fourmillements, picotements, douleur, réduction de la force normale ou changements de la couleur de la peau. Ces symptômes apparaissent généralement dans les doigts, les mains ou les poignets.

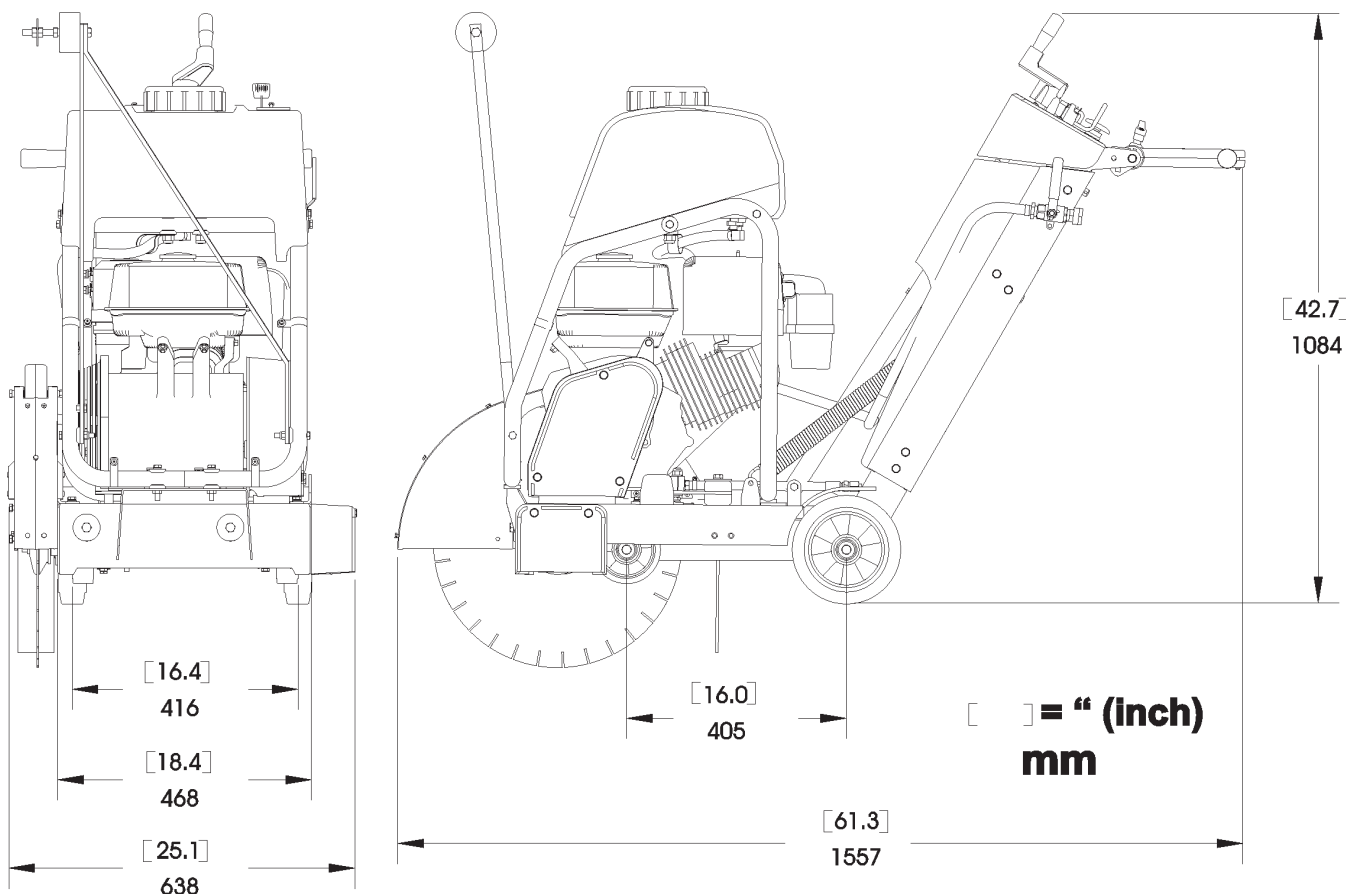
DONNÉES TECHNIQUES

 Masse de la machine		
Modèle	Masse nominale (kg)	Masse maximale (kg)
FS 410 D	142	176
	-	-

Profondeur de coupe	
Taille du disque	Profondeur de coupe maximale
500 mm (20")	189 mm (7,6")

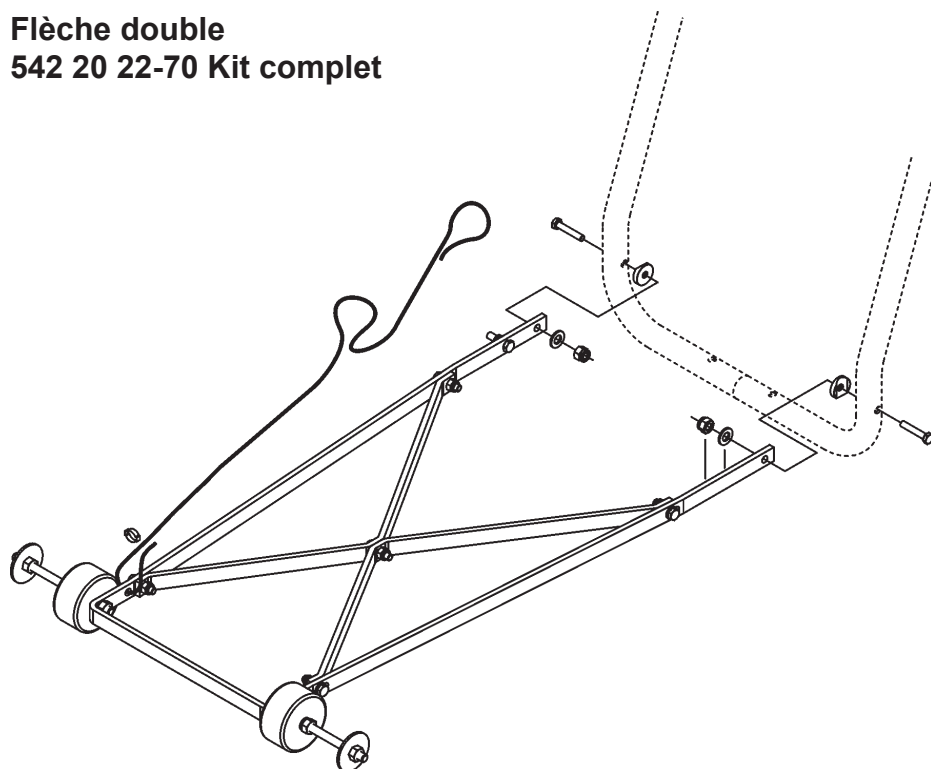
Vitesse d'axe et régime moteur		
Modèle	Vitesse d'axe (tr/min)	Régime moteur (tr/min)
FS 410 D	2600	3600

Capacité du réservoir d'eau
25 litres (6,6 gallons É.U.) (5,5 gallons R.U.)

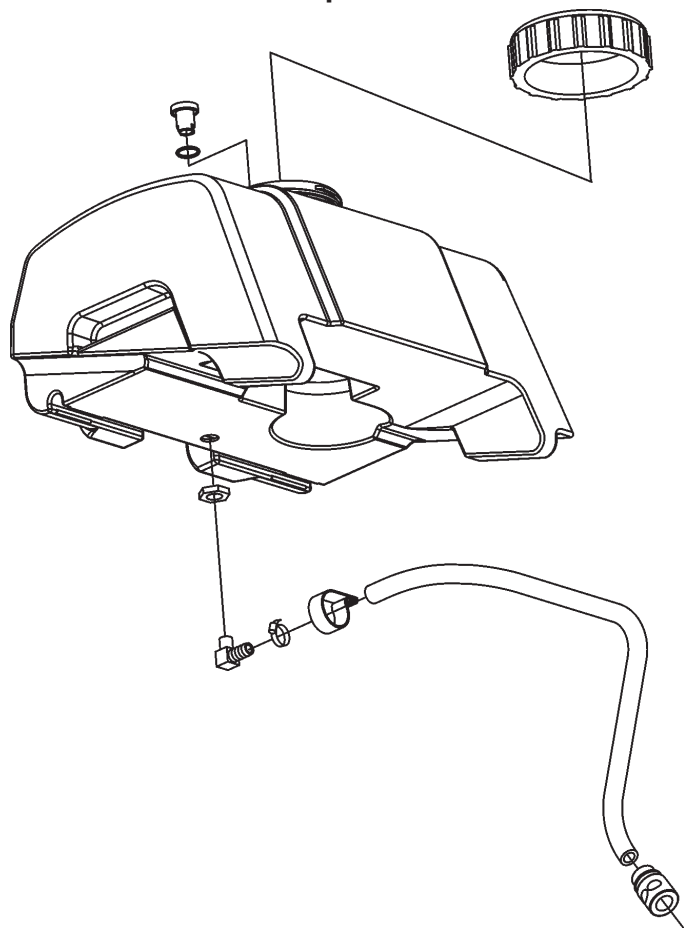


ACCESSOIRES

Flèche double
542 20 22-70 Kit complet



Réservoir d'eau
541 20 82-86 Kit complet



CERTIFICATS DE CONFORMITÉ

American National Standards Institute : Pour les appareils utilisés aux États-Unis, cette machine a été conçue en conformité avec la norme ANSI B7.1-2000, « Safety Requirements for the Use, Care and Protection of Abrasive Wheels » de l'American National Standards Institute. Pour acheter un exemplaire de cette norme, contacter l'American National Standards Institute à l'adresse ci-dessous :

American National Standards Institute
25 West 43rd Street, 4th floor
New York, NY 10036

Téléphone : 212.642.4900
Fax: 212.398.0023
www.ansi.org

CALIFORNIA AIR RESOURCES BOARD (CARB) : Cette machine est considérée une application hors route en vertu des normes CARB. En tant que matériel de chantier et, en particulier, que scie à béton (Scies : béton, maçonnerie, coupe) de puissance moteur inférieure à 19 kW (25 hp), les normes CARB ne s'appliquent pas à cette machine.

Pour plus de renseignements, consulter le site Web <http://www.arb.ca.gov/msprog/offroad/preempt.htm>

UNION EUROPÉENNE (UE) : Pour les modèles utilisés dans les pays membres de l'Union européenne (UE), cette machine est conçue en conformité avec les directives européennes indiquées dans la déclaration ci-dessous.



HUSQVARNA CONSTRUCTION PRODUCTS

DÉCLARATION DE CONFORMITÉ À LA DIRECTIVE « MACHINES »

(Directive 98/37/CE) et aux règles régissant sa transposition

FABRICANT

Husqvarna Construction Products North America


17400 West 119th Street, Olathe, Kansas 66061 ÉTATS-UNIS

déclare par les présente que les machines désignées ci-dessous

FS 410 D

sont conformes à la directive « MACHINES » (98/37/EC), à la directive « BASSE TENSION » (73/23/CEE), à la directive « COMPATIBILITÉ ÉLECTROMAGNÉTIQUE » (CEM) (89/336/CEE) en vertu des normes européennes EN 50081/1 et EN 55022 et à la directive « BRUIT » (2000/14/EEC) en vertu de la norme européenne EN ISO 3744.

Vice President, Operations



James H. McMenemy

01May2007, Olathe, Kansas USA

INFORMATIONS DE CONTACT



Construction Products, North America

Corporate Office

17400 West 119th Street, Olathe, Kansas 66061 USA

Corporate Office: 913-928-1000

Corp. Office Fax: 913-438-7951

www.husqvarna.com

Pour toute réparation, contacter le représentant local de Husqvarna Construction Products.

Europe :

Husqvarna Construction Products

SE-433 81 Partille, Suède

Tél.: +46 31 94 90 00

Fax : +46 31 94 90 50

Asie Pacifique :

Husqvarna Construction Products, Australia Pty Ltd

25-31 Kinkaid Avenue,

North Plympton, Adelaide,

South Australia 5037

Tél.: +61 (0)8 8375 1000

Fax :+61 (0)8 8371 0990

Amérique :

Husqvarna Construction Products, North America

17400 West 119th Street, Olathe, Kansas 66061 USA

Téléphone sans frais : 800-288-5040, Téléphone : 913-928-1300

Fax : 913-438-7938



www.husqvarnacp.com

US - Original instructions, ES - Instrucciones originales, CA - Instructions d'origine

1157515-49



2015-03-06