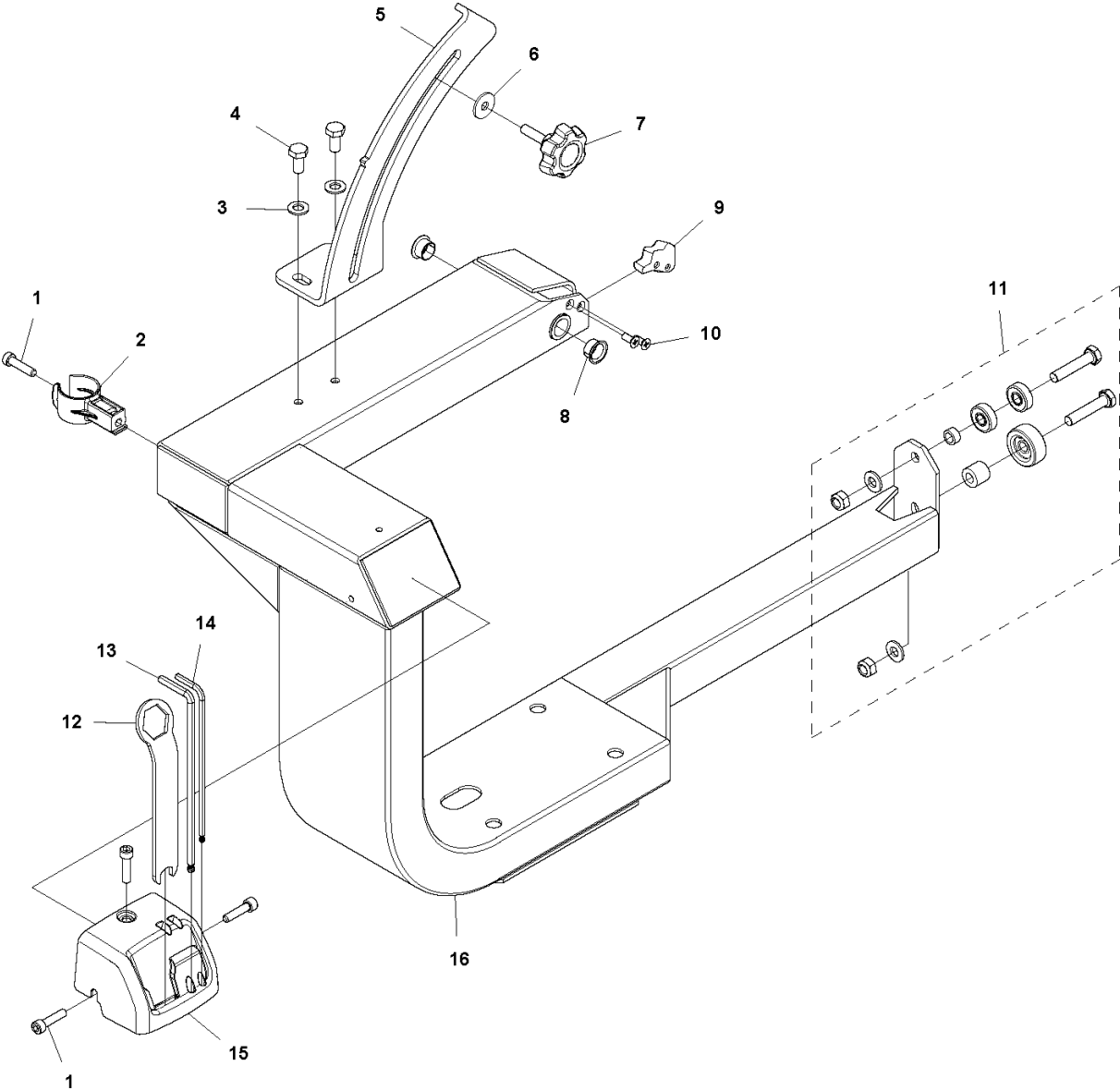




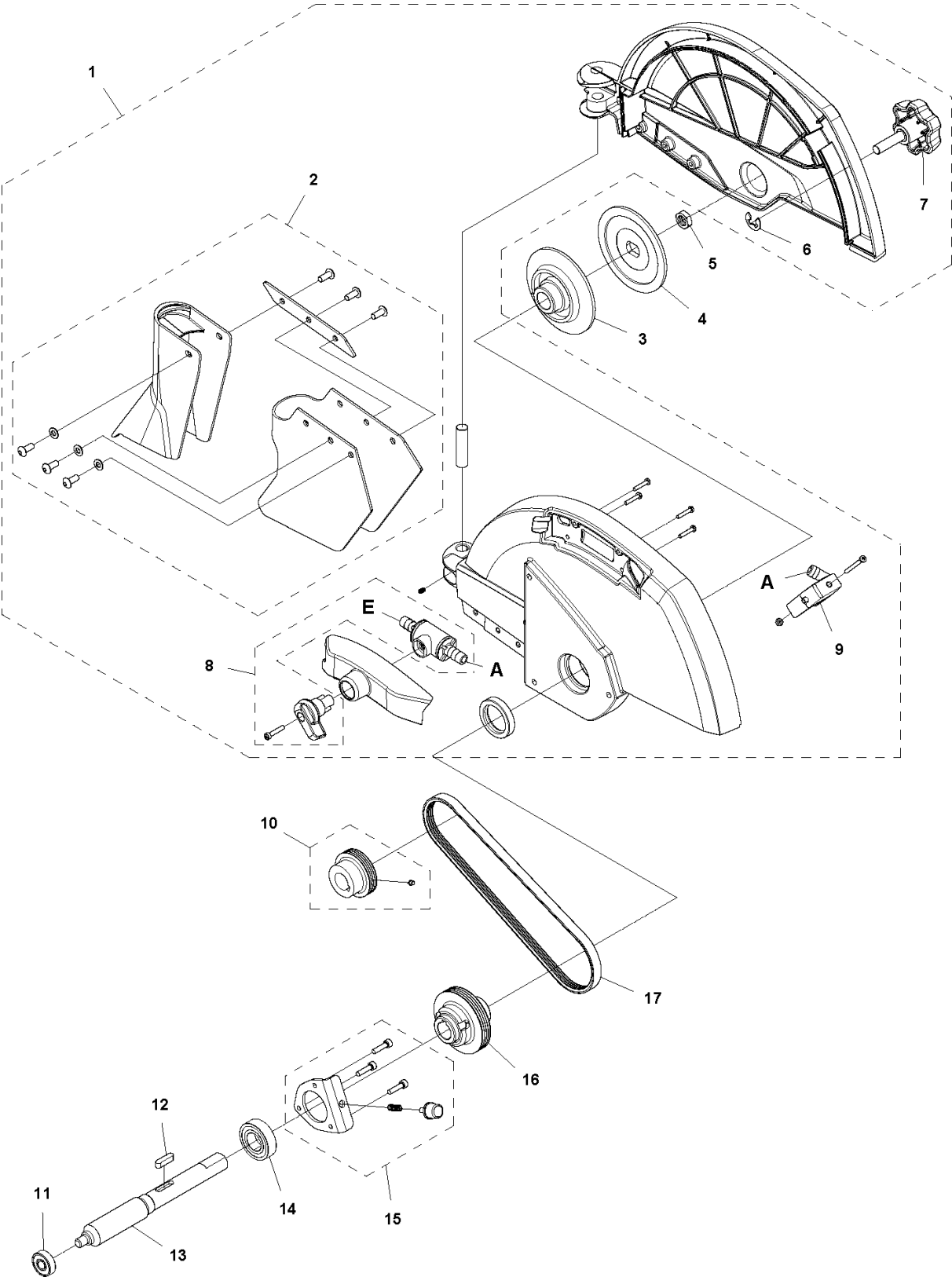
SPARE PARTS LIST

TILE SAWS

TS90, 2015-07



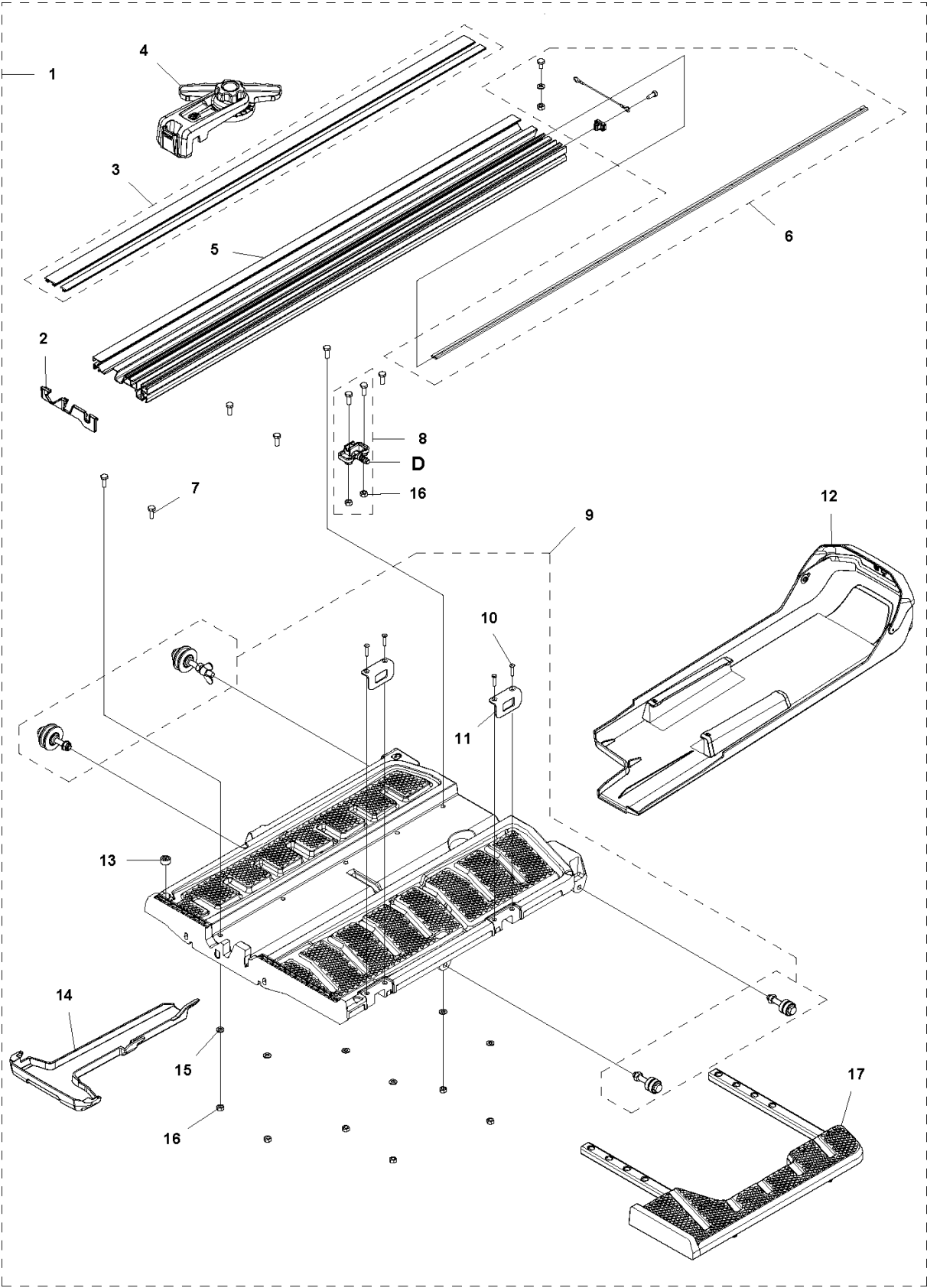
Ref	Part No	Description	Remark	QTY KIT
1	725 53 72-01	SCREW IHSCM		4
2	585 54 53-01	CLIP		1
3	734 11 63-01	WASHER	2 pcs incl. in kit 11	4
4	725 24 49-71	SCREW EHHM		2
5	585 23 64-01	BRACKET		1
6	584 14 69-01	WASHER		1
7	585 59 50-01	KNOB		1
8	585 62 09-02	BUSH		2
9	585 54 93-01	BRACKET		1
10	725 62 95-01	SCREW IHCSFM		2
11	589 21 19-01	WHEEL KIT		1
12	510 22 54-37	WRENCH		1
13	588 10 99-02	WRENCH		1
14	588 10 99-01	WRENCH		1
15	585 56 39-01	COVER		1
16	585 23 43-01	ARM		1



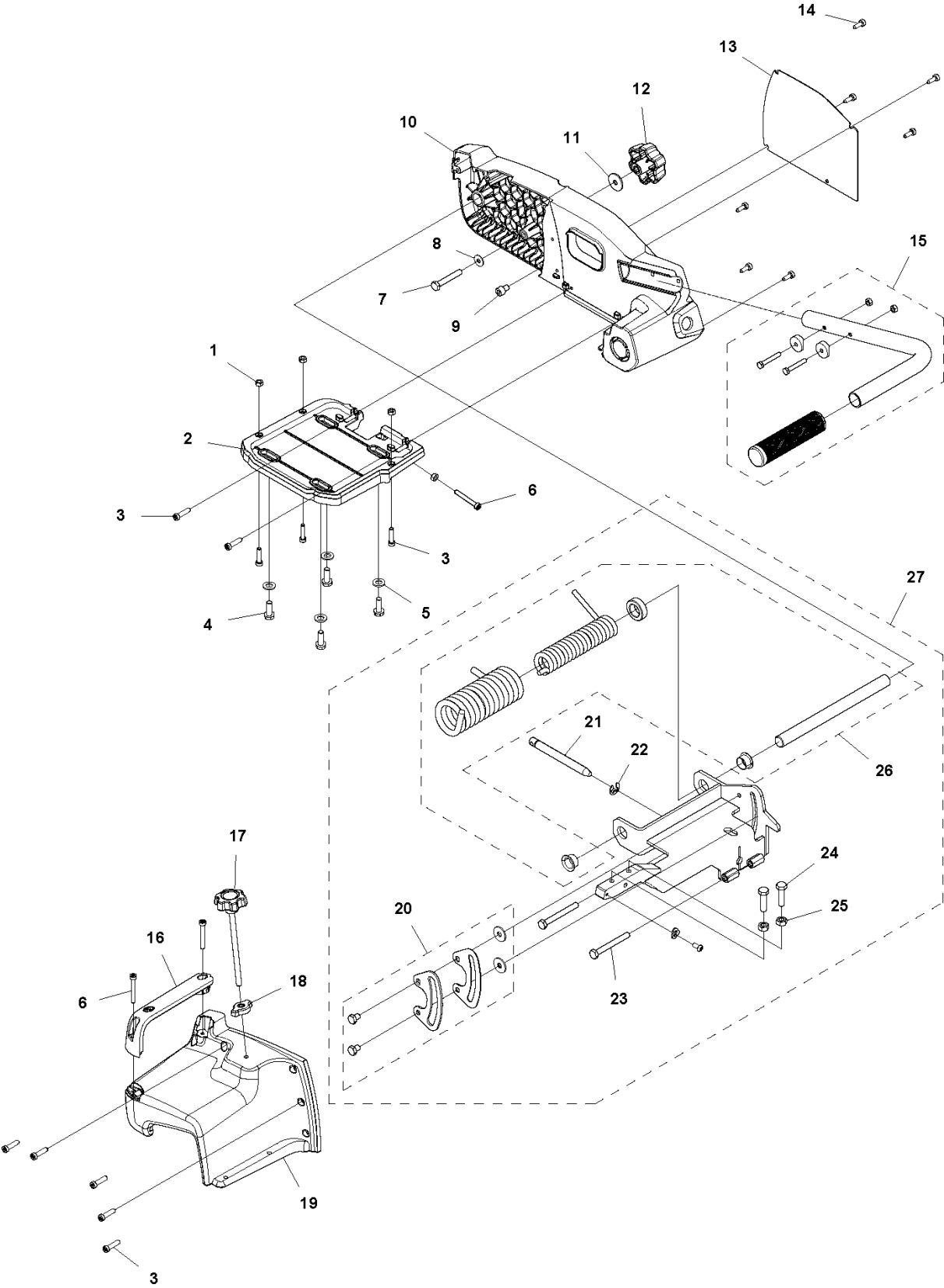
BLADE GUARD

TS90, 2015-07

Ref	Part No	Description	Remark	QTY	KIT
1	585 59 63-01	BLADE GUARD		1	
2	588 91 86-01	SPLASH GUARD		1	1
3	581 55 72-01	FLANGE WASHER		1	
4	575 63 68-01	FLANGE		1	
5	576 68 23-01	NUT		1	
6	735 31 12-21	E-CLIP		1	1
7	585 59 50-01	KNOB		1	1
8	586 69 51-01	VALVE ASSY		1	
9	585 59 77-01	NOZZLE		1	1
10	589 00 42-01	PULLEY KIT	24 Motor Shaft	1	
10	589 00 42-02	PULLEY KIT	19 Motor Shaft	1	
11	525 81 67-01	BEARING		1	
12	581 55 95-01	PARALLEL KEY		1	
13	581 55 93-01	BLADE SHAFT		1	
14	738 21 03-04	BALL BEARING		1	
15	588 95 82-01	LOCKING BUTTON		1	
16	580 81 50-01	PULLEY		1	
17	581 55 87-01	BELT		1	



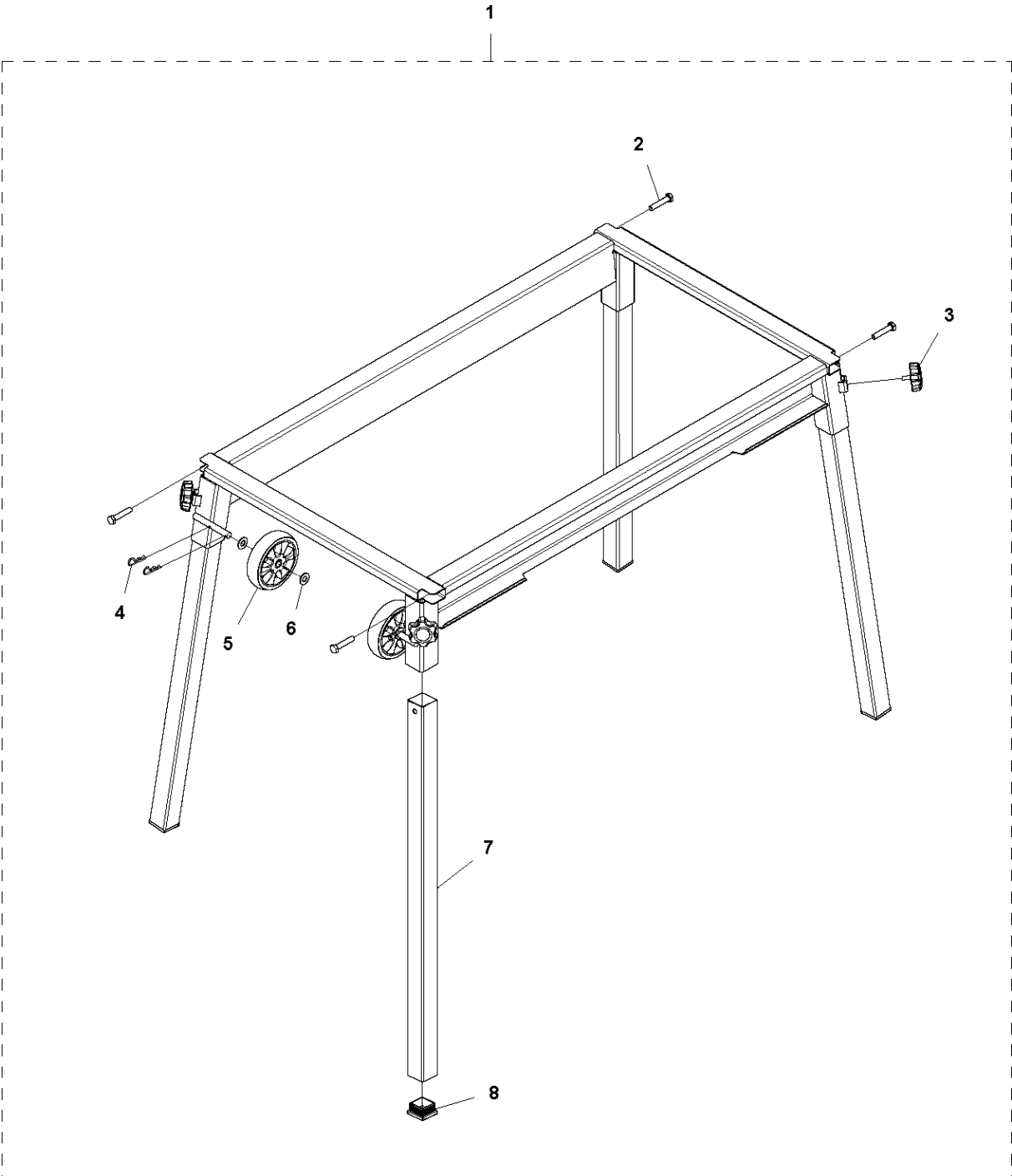
Ref	Part No	Description	Remark	QTY	KIT
1	581 36 96-02	CART		1	
2	581 34 32-01	GASKET		1	1
3	588 91 87-01	PROFILE		1	1
4	584 25 40-01	GUIDE		1	1
5	580 27 42-01	PROFILE		1	1
6	588 91 88-01	PROFILE		1	1
7	725 23 68-71	SCREW EHHM		10	1
8	588 95 83-01	NOZZLE		1	1
9	588 91 58-01	WHEEL KIT		1	1
10	725 62 95-01	SCREW IHCSFM		4	1
11	580 27 46-01	BRACKET		2	1
12	581 37 35-01	COLLECTOR		1	1
13	541 40 50-36	LEVEL		1	1
14	580 27 60-01	COLLECTOR		1	1
15	734 11 52-01	WASHER		10	1
16	732 25 16-01	HEXAGON LOCKING NUT		12	1
17	581 37 42-02	TABLE		1	1



CUTTING HEAD

TS90, 2015-07

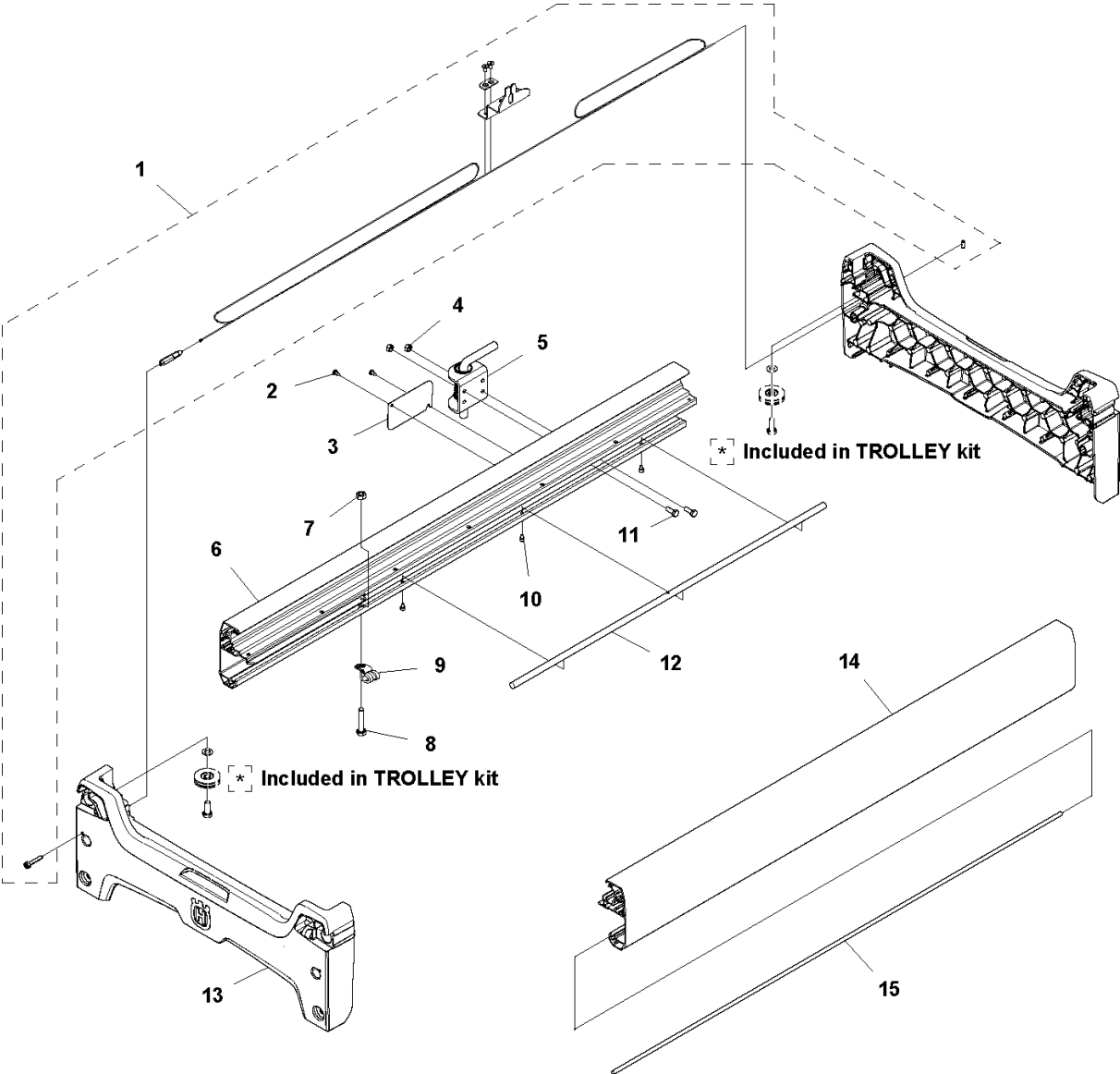
Ref	Part No	Description	Remark	QTY	KIT
1	732 25 16-01	HEXAGON LOCKING NUT	2 are included in kit 15	6	
2	586 33 26-01	MOTOR SUPPORT		1	
3	725 53 72-01	SCREW IHSCM		10	
4	725 24 51-71	SCREW EHHM		4	
5	734 11 63-01	WASHER		4	
6	588 80 40-01	SCREW IHSCM		3	
7	725 24 63-51	SCREW EHHM		1	
8	584 14 69-01	WASHER		1	
9	725 54 47-01	SCREW IHSCM		1	
10	581 09 90-01	CUTTER ARM		1	
11	588 85 07-01	WASHER		1	
12	585 59 50-05	KNOB		1	
13	581 56 88-01	COVER		1	
14	725 53 27-01	SCREW IHSCM		7	
15	588 91 57-01	HANDLE KIT		1	
16	586 38 00-01	HANDLE		1	
17	585 59 50-02	KNOB		1	
18	522 77 44-03	KNOB		1	
19	581 27 99-01	CUTTER ARM		1	
20	588 91 85-01	PLATE KIT		1	27
21	587 40 94-01	AXLE		1	27
22	579 48 28-01	E-CLIP		1	27
23	725 24 65-51	SCREW EHHM		2	27
24	725 24 59-71	SCREW		2	27
25	731 23 18-01	HEXAGON NUT		2	27
26	588 91 84-01	SPRING		1	27
27	586 83 02-02	JOINT		1	



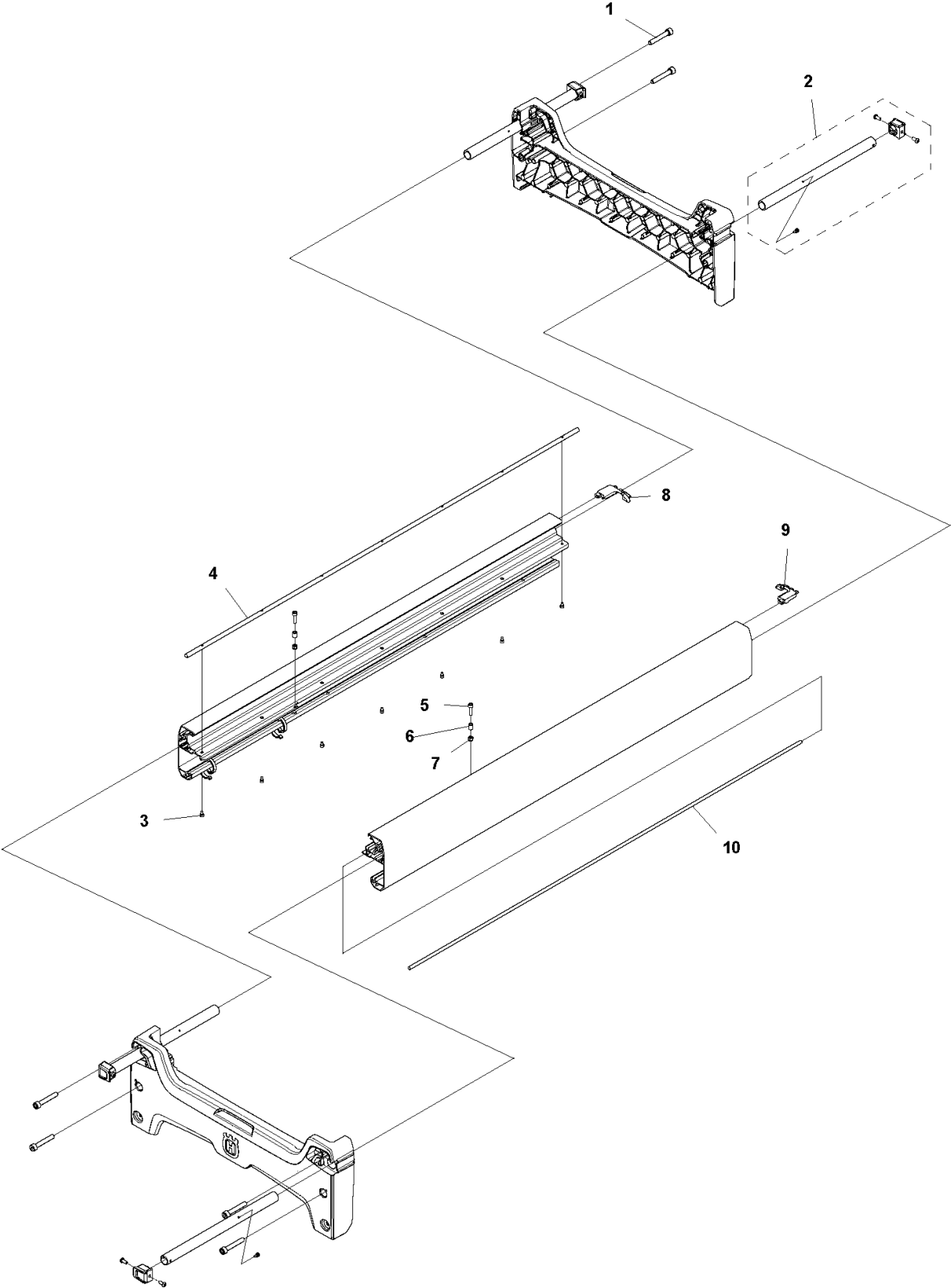
FIXED STANDS

TS90, 2015-07

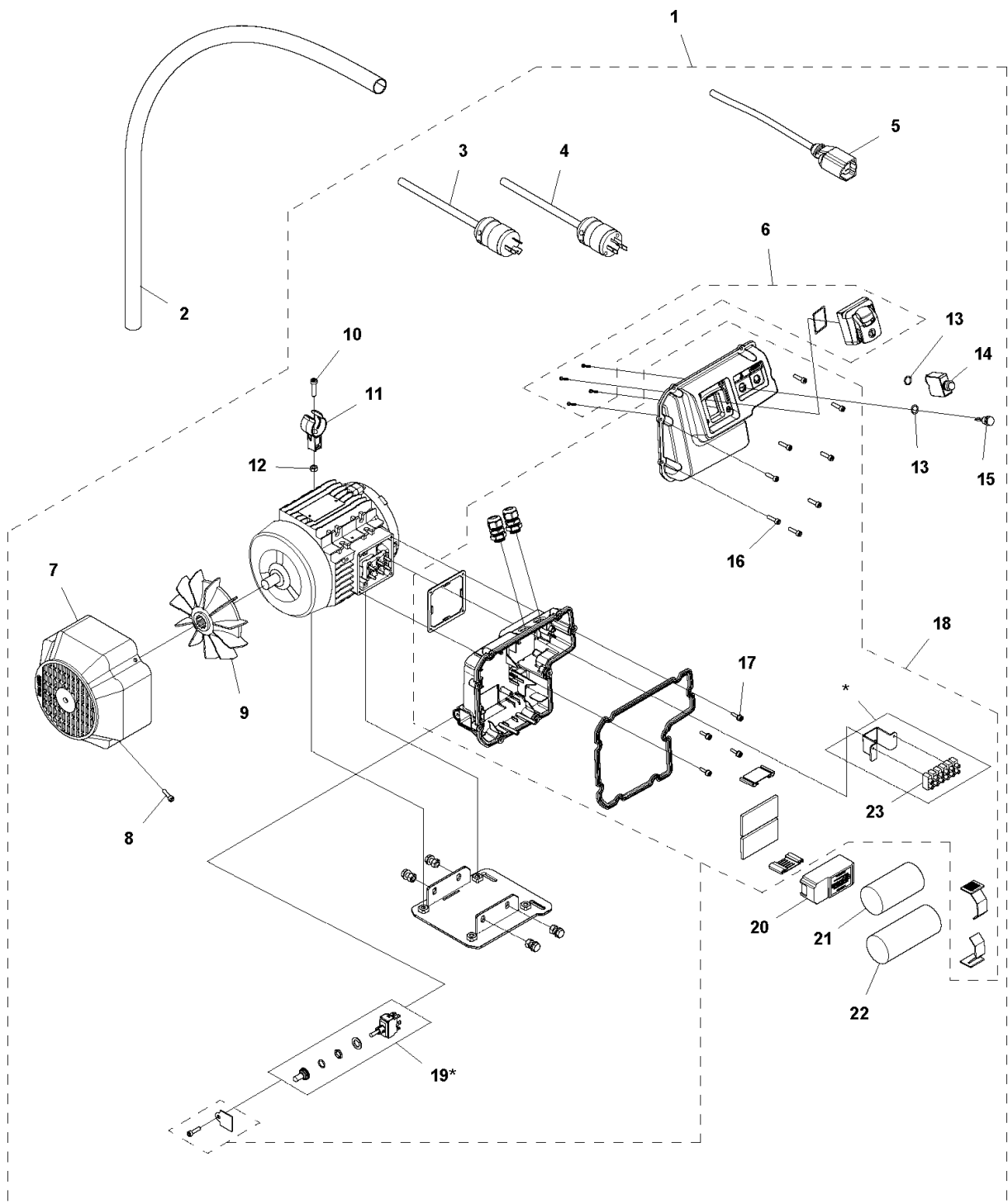
Ref	Part No	Description	Remark	QTY KIT	
1	579 59 64-02	STAND		1	
2	725 24 59-71	SCREW		4	1
3	585 59 50-03	KNOB		4	1
4	721 68 01-51	SPRING COTTER		2	1
5	510 22 54-27	WHEEL		2	1
6	734 11 72-01	WASHER		4	1
7	579 59 63-01	PROFILE		4	1
8	585 52 97-01	CAP		4	1



Ref	Part No	Description	Remark	QTY KIT
1	588 92 77-01	WIRE		1
2	729 53 40-01	SCREW CCRPANT		2
3	586 06 80-01	COVER		1
4	732 25 14-01	HEXAGON LOCKING NUT		2
5	586 03 56-01	LOCK		1
6	577 69 94-01	PROFILE		1
7	732 25 18-01	HEXAGON LOCKING NUT		1
8	725 24 59-51	SCREW EHHM		1
9	585 24 56-01	CLIP		1
10	588 71 93-02	SCREW IHSCM		3
11	725 23 27-71	SCREW EHHM		2
12	585 54 39-01	ROD		1
13	585 23 61-01	GABLE		2
14	577 69 95-01	PROFILE		1
15	585 54 40-02	ROD		1

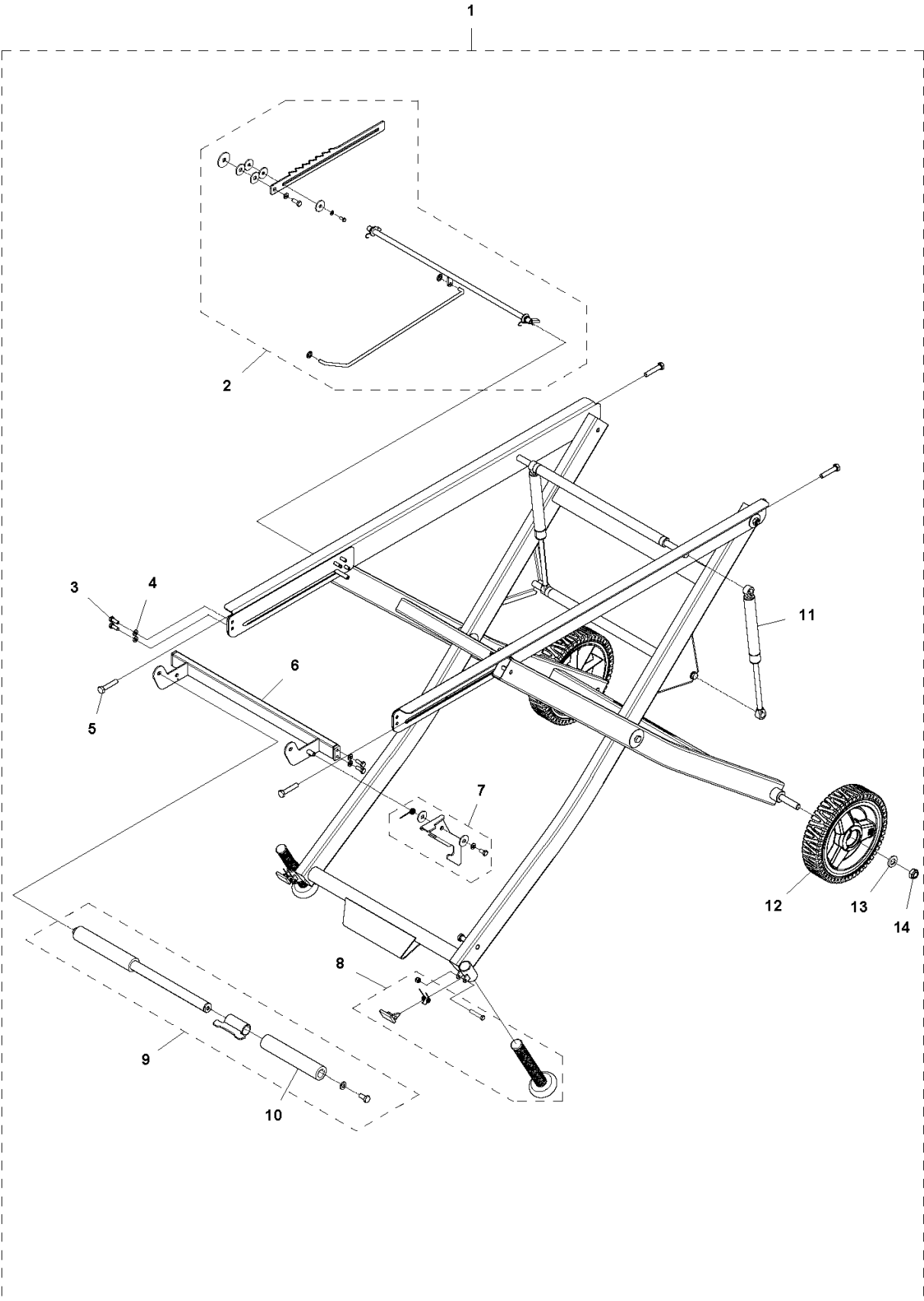


Ref	Part No	Description	Remark	QTY KIT
1	725 54 61-01	SCREW IHSCM		8
2	585 60 56-01	HANDLE		4
3	588 71 93-01	SCREW IHSCM		7
4	585 54 38-01	ROD		1
5	725 53 31-01	SCREW IHSCM		2
6	574 61 06-03	SLEEVE		2
7	732 25 14-01	HEXAGON LOCKING NUT		2
8	585 51 92-01	PLUG		1
9	585 51 93-01	PLUG		1
10	585 54 40-01	ROD		1



* ONLY DUAL VOLTAGE

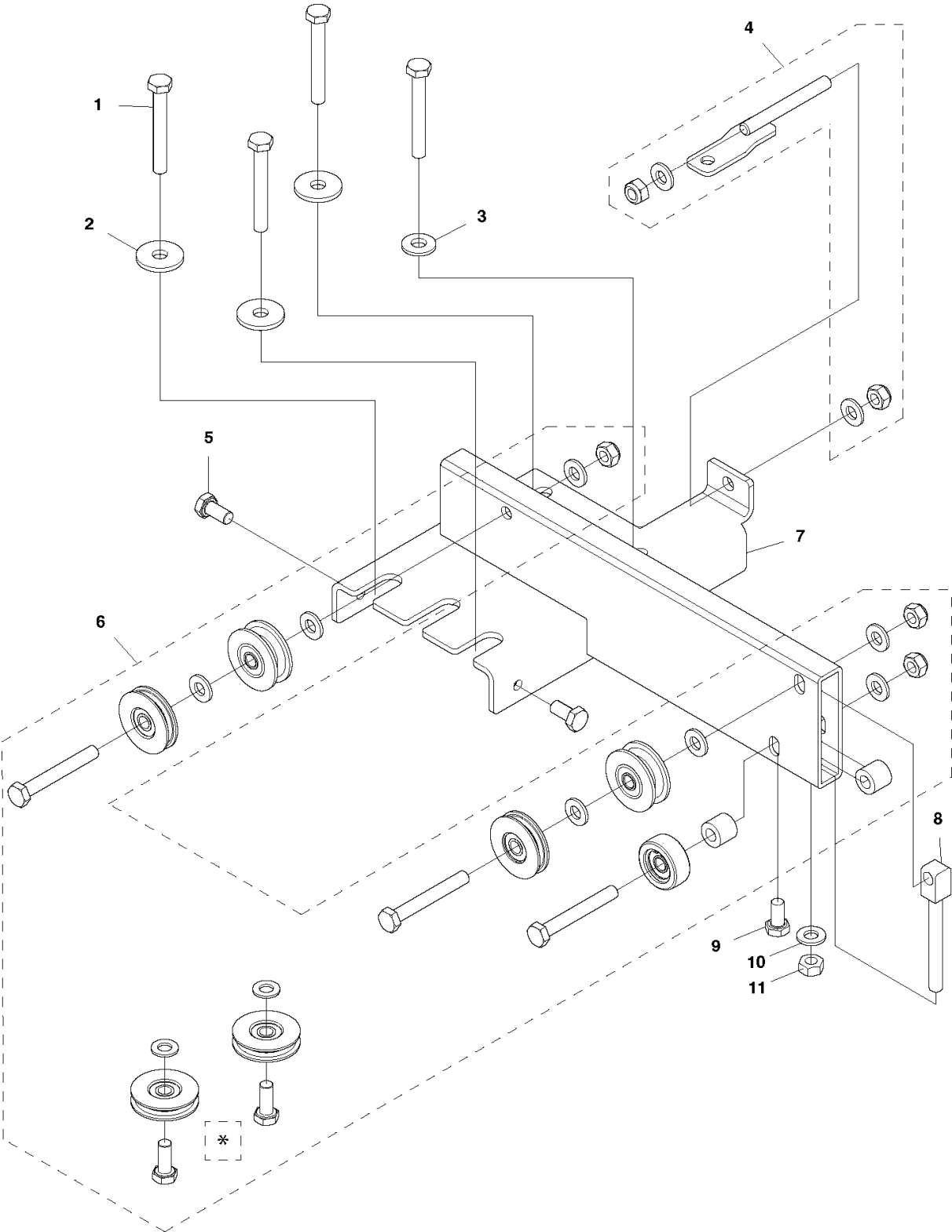
Ref	Part No	Description	Remark	QTY	KIT
1	585 22 54-03	MOTOR	115V/230V,1.5kW, 60Hz CPL	1	
1	585 22 54-04	MOTOR	115V,1.1 kW, 60Hz CPL	1	
2	585 54 54-02	HOSE		1	
3	586 36 93-02	CABLE	Used for: 585 22 54-04	1	1
4	586 36 93-03	CABLE	Used for: 585 22 54-03	1	1
5	525 81 45-02	CABLE		1	1
6	588 92 96-01	SWITCH KIT		1	1
7	589 23 41-01	FAN COVER	Used for: 585 22 54-04	1	1
7	589 23 41-02	FAN COVER	Used for: 585 22 54-03	1	1
8	724 13 23-01	SCREW CRPANM		4	1
9	589 23 45-01	FAN	Used for: 585 22 54-04	1	1
9	589 23 45-02	FAN	Used for: 585 22 54-03	1	1
10	725 53 70-01	SCREW IHSCM		1	1
11	585 54 53-01	CLIP		1	1
12	732 25 16-01	HEXAGON LOCKING NUT		1	1
13	587 92 36-01	O-RING		2	1
14	585 54 41-02	CIRCUIT BREAKER	Used for: 585 22 54-04	1	1
14	585 54 41-03	CIRCUIT BREAKER	Used for: 585 22 54-03	1	1
15	580 88 16-04	LAMP		1	1
16	725 53 31-05	SCREW IHSCM		9	1
17	725 52 93-01	SCREW IHSCM		4	1
18	588 91 91-01	ELECTRONIC BOX		1	1
19	589 23 58-01	SWITCH KIT	Dual Voltage Only	1	1
20	586 29 40-01	ELECTRONIC BOX		1	1
21	585 54 44-01	CAPACITOR	Used for: 585 22 54-04	1	1
21	585 54 44-02	CAPACITOR	Used for: 585 22 54-03	1	1
22	585 54 45-01	CAPACITOR	Used for: 585 22 54-04	1	1
22	585 54 45-02	CAPACITOR	Used for: 585 22 54-03	1	1
23	587 40 69-01	TERMINAL BLOCK	12 poles	1	



STANDS

TS90, 2015-07

Ref	Part No	Description	Remark	QTY	KIT
1	585 58 16-02	STAND		1	
2	589 02 20-01	LOCK		1	1
3	725 23 66-71	SCREW EHHM		6	1
4	734 11 52-01	WASHER		6	1
5	725 24 59-71	SCREW		4	4
6	581 22 12-01	HANDLEBAR		1	1
7	589 02 21-01	LOCKING LEVER		1	1
8	589 02 27-01	SUPPORT LEG		4	1,6
9	589 02 22-01	HANDLE KIT		1	1
10	581 22 64-01	HANDLE		2	1
11	579 53 20-01	GAS SPRING		2	1
12	532 40 12-73	WHEEL & TIRE ASSY, FRONT		2	1
13	734 11 78-01	WASHER		2	1
14	732 25 22-01	HEXAGON LOCKING NUT		2	1

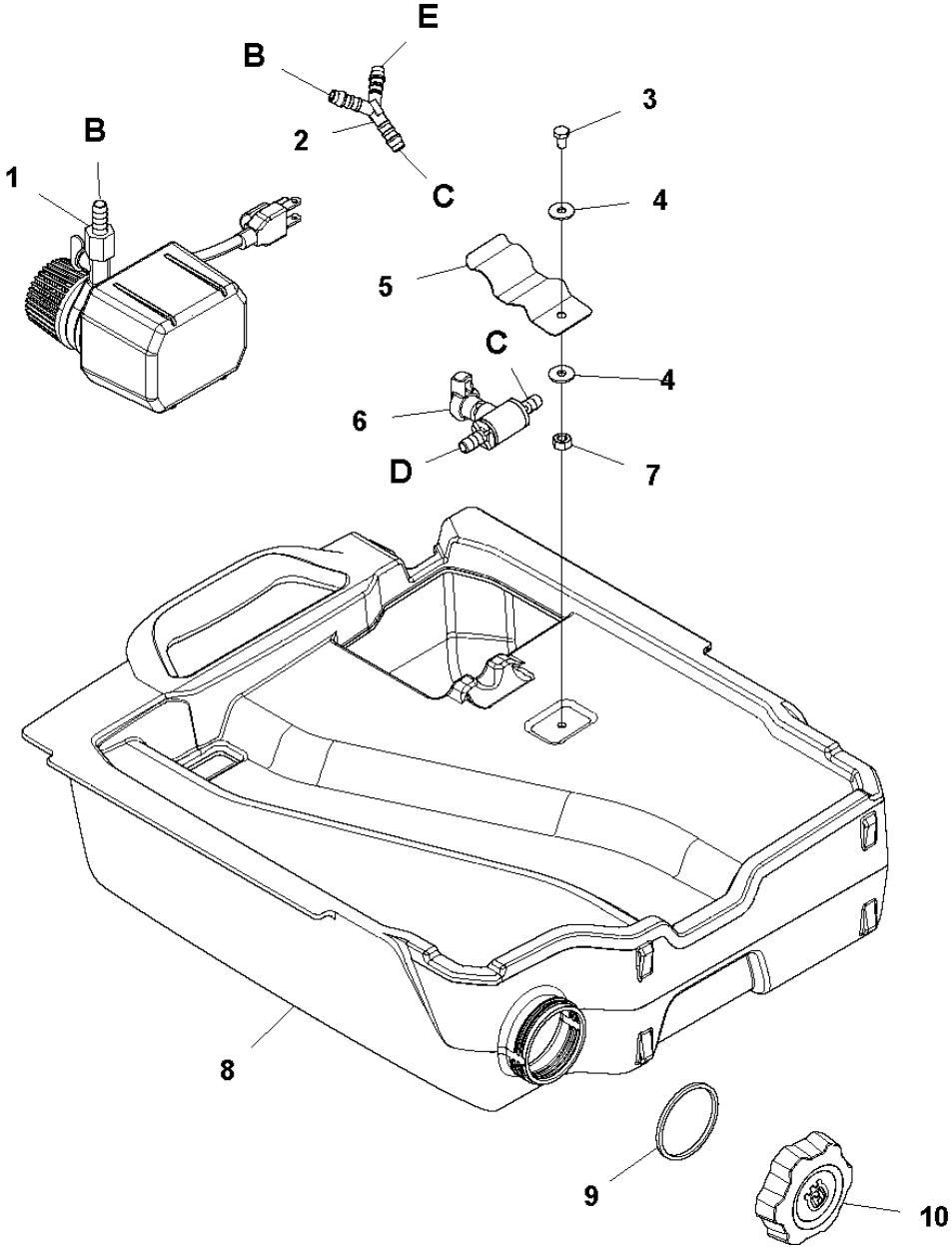
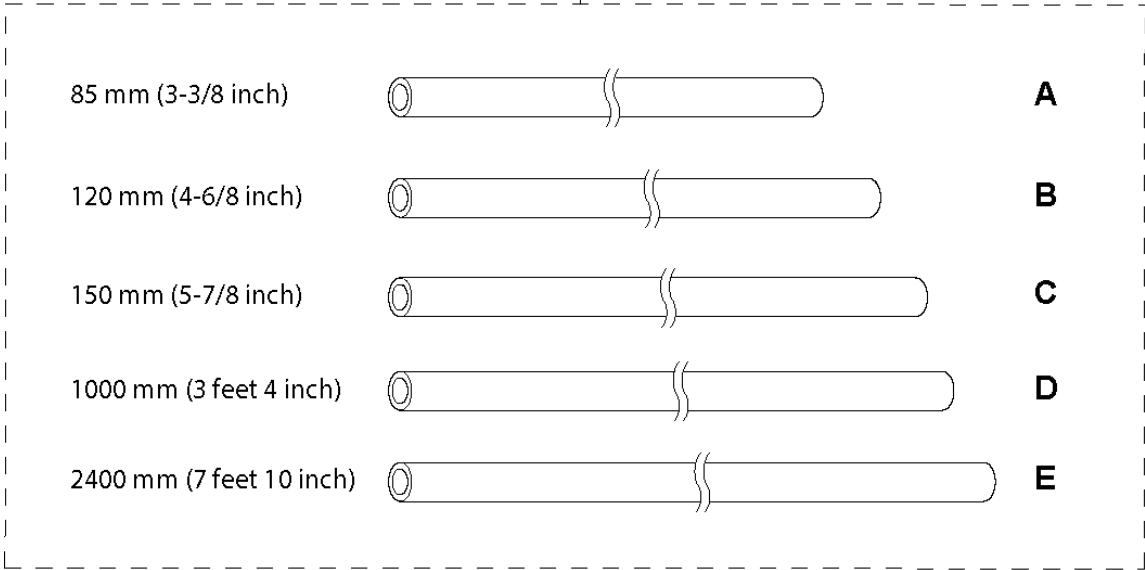


TROLLEY

TS90, 2015-07

Ref	Part No	Description	Remark	QTY KIT
1	725 24 63-51	SCREW EHHM		4
2	588 85 07-01	WASHER		3
3	504 58 11-01	WASHER		1
4	588 95 77-01	ADJUSTER		1
5	725 24 49-71	SCREW EHHM		2
6	588 91 94-01	WHEEL KIT		1
7	585 23 44-01	TROLLEY		1
8	582 45 40-01	ADJUSTMENT SCREW		1
9	725 24 49-71	SCREW EHHM		3
10	734 11 63-01	WASHER		8
11	731 23 18-01	HEXAGON NUT		1

11



WATER TANK

TS90, 2015-07

Ref	Part No	Description	Remark	QTY KIT
1	586 66 83-01	PUMP		1
2	585 24 55-01	HOSE CONNECTOR		1
3	725 23 68-71	SCREW EHHM		1
4	734 11 54-41	WASHER		2
5	587 51 17-01	CLIP		1
6	586 69 51-01	VALVE ASSY		1
7	731 23 16-01	HEXAGON NUT		1
8	579 25 40-01	TANK		1
9	581 55 97-01	SEALING		1
10	579 25 61-01	CAP		1
11	585 56 62-02	TUBE		1