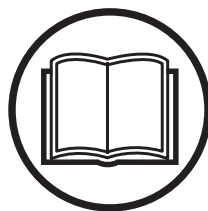


**Operator's manual
Manuel d'utilisation
Manual de instrucciones**

**DS150 DS250
DS250 Single speed
DS250 Single speed short**



US CA ES

Please read the operator's manual carefully and make sure you understand the instructions before using the machine.

Lire attentivement et bien assimiler le manuel d'utilisation avant d'utiliser la machine.

Lea detenidamente el manual de instrucciones y asegúrese de entender su contenido antes de utilizar la máquina

KEY TO SYMBOLS

Symbols on the machine

WARNING! The machine can be a dangerous tool if used incorrectly or carelessly, which can cause serious or fatal injury to the operator or others.



Please read the operator's manual carefully and make sure you understand the instructions before using the machine.



Other symbols/decals on the machine refer to special certification requirements for certain markets.

Explanation of warning levels

The warnings are graded in three levels.

WARNING!



WARNING! Used if there is a risk of serious injury or death for the operator or damage to the surroundings if the instructions in the manual are not followed.

CAUTION!



CAUTION! Used if there is a risk of injury to the operator or damage to the surroundings if the instructions in the manual are not followed.

NOTICE!

NOTICE! Used if there is a risk of damage to materials or the machine if the instructions in the manual are not followed.

CONTENTS

Contents

KEY TO SYMBOLS

Symbols on the machine	2
Explanation of warning levels	2

CONTENTS

Contents	3
Note the following before starting:	3

PRESENTATION

Dear customer!	4
Design and features	4
Drill stands	5

WHAT IS WHAT?

What is what on the stand?	7
----------------------------------	---

MACHINE'S SAFETY EQUIPMENT

General	8
Carriage lock	8

OPERATING

Steps before using a new stand	9
Protective equipment	9
General safety precautions	10
General working stand safety warnings	10

ASSEMBLY

Fit the wheel kit	11
Secure the stand	11
Assembly of drill motor	12
Adjust the column tilt	13
Drilling in the ceiling	13

MAINTENANCE

Stand maintenance	14
-------------------------	----

TECHNICAL DATA

US WARRANTY STATEMENT

WARRANTY POLICY	16
EQUIPMENT	16

Note the following before starting:



WARNING! Cutting, especially when DRY cutting, generates dust that comes from the material being cut, which frequently contains silica. Silica is a basic component of sand, quartz, brick clay, granite and numerous other minerals and rocks. Exposure to excessive amount of such dust can cause:

Respiratory disease (affecting your ability to breath), including chronic bronchitis, silicosis and pulmonary fibrosis from exposure to silica. These diseases may be fatal;

Skin irritation and rash.

Cancer according to NTP* and IARC* */ National Toxicology Program, International Agency for Research on Cancer

Take precautionary steps:

Avoid inhalation of and skin contact with dust, mist and fumes.

Wear and ensure that all bystanders wear appropriate respiratory protection such as dust masks designed to filter out microscopic particles. (See OSHA 29 CFR Part 1910.1200)

Wet cut when feasible, to minimize dust.

PRESENTATION

Dear customer!

Thank you for choosing a Husqvarna product!

It is our wish that you will be satisfied with your product and that it will be your companion for a long time. A purchase of one of our products gives you access to professional help with repairs and services. If the retailer who sells your machine is not one of our authorised dealers, ask him for the address of your nearest service workshop.

This operator's manual is a valuable document. Make sure it is always at hand at the work place. By following its content (using, service, maintenance etc.) the life span and the second-hand value of the machine can be extended. If you ever lend or sell this machine, make sure that the borrower or buyer gets the operator's manual, so they will also know how to properly maintain and use it.

More than 300 years of innovation

Husqvarna AB is a Swedish company based on a tradition that dates back to 1689, when the Swedish King Charles XI ordered the construction of a factory for production of muskets. At that time, the foundation was already laid for the engineering skills behind the development of some of the world's leading products in areas such as hunting weapons, bicycles, motorcycles, domestic appliances, sewing machines and outdoor products.

Husqvarna is the global leader in outdoor power products for forestry, park maintenance and lawn and garden care, as well as cutting equipment and diamond tools for the construction and stone industries.

Owner responsibility

It is the owner's/employer's responsibility that the operator has sufficient knowledge about how to use the machine safely. Supervisors and operators must have read and understood the Operator's Manual. They must be aware of:

- The machine's safety instructions.
- The machine's range of applications and limitations.
- How the machine is to be used and maintained.

Local regulations could restrict the use of this machine. Find out what regulations are applicable where you work before you start using the machine.

The manufacturer's reservation

Subsequent to publishing this manual Husqvarna may issue additional information for safe operation of this product. It is the owner's obligation to keep up with the safest methods of operation.

Husqvarna AB has a policy of continuous product development and therefore reserves the right to modify the design and appearance of products without prior notice.

For customer information and assistance, contact us at our website: www.husqvarna.com

Design and features

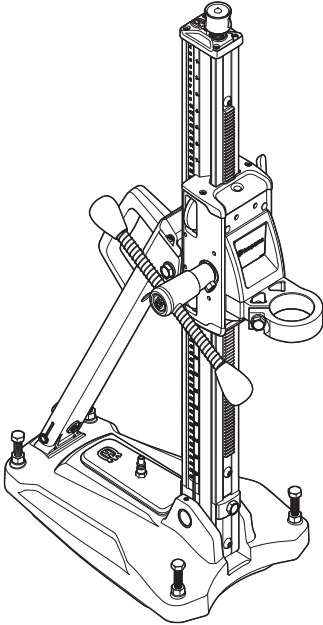
Values such as high performance, reliability, innovative technology, advanced technical solutions and environmental considerations distinguish Husqvarna's products. Safe operation of this product requires the operator to read this manual carefully. Ask your dealer or Husqvarna should you need more information.

Some of the unique features of your product are described below.

PRESENTATION

Drill stands

DS150

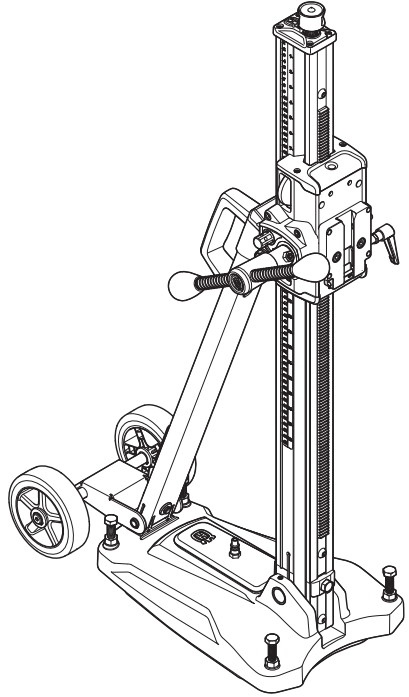


- The stand is for drilling in ceilings, walls and floors.
- The baseplate is made of aluminium making it very light in weight. It has an inbuilt vacuum plate.
- The column can be tilted 0-60°.
- The stand is fitted with a collar.
- The feed handle can be used to loosen and tighten the collar, adjust the adjustment bolts in the baseplate and to adjust the angle of the column.

Accessories

- Gear box
- Wheel set

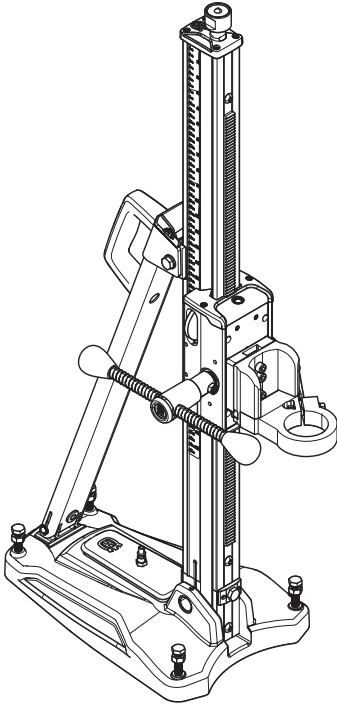
DS250



- The stand is for drilling in ceilings, walls and floors.
- The baseplate is made of aluminium making it very light in weight. It has an inbuilt vacuum plate.
- The column can be tilted 0-60°.
- The drill stand is equipped with a quick connection plate for the drillmotor.
- The wheel kit is removable.
- The feeder housing's transmission is adjustable. The higher gives 2.25:1 and the lower, 1:1.
- Feed lever can be used to adjust base plate leveling screws and set desired column tilt.
- Collar to fit to the quick mounting bracket

PRESENTATION

DS250 Single speed

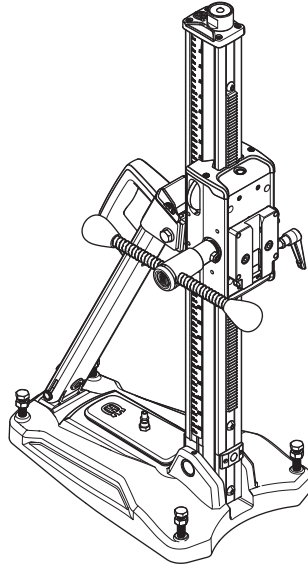


- The stand is for drilling in ceilings, walls and floors.
- The baseplate is made of aluminium making it very light in weight. It has an inbuilt vacuum plate.
- The column can be tilted 0-60°.
- The drill stand is fitted with a quick mounting bracket and a collar.
- Feed lever can be used to adjust base plate leveling screws and set desired column tilt.

Accessories

- Wheel set

DS250 Single speed short

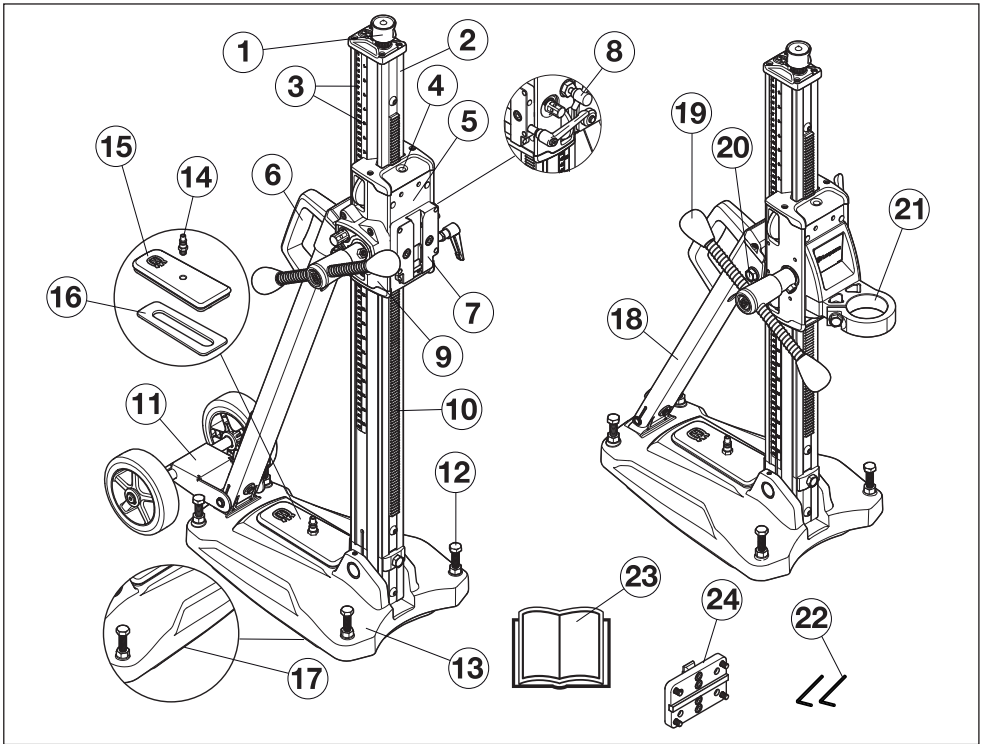


- The stand is for drilling in ceilings, walls and floors.
- The baseplate is made of aluminium making it very light in weight. It has an inbuilt vacuum plate.
- The column can be tilted 0-60°.
- The drill stand is fitted with a quick mounting bracket.
- Feed lever can be used to adjust base plate leveling screws and set desired column tilt.

Accessories

- Wheel set
- VP 200 Vacuum pump

WHAT IS WHAT?



What is what on the stand?

- | | |
|---|--|
| 1 Jacking screw | 13 Baseplate with integrated vacuum function |
| 2 Drill column | 14 Quick coupling for vacuum pressure |
| 3 Depth and tilt scale | 15 Vacuum cover |
| 4 Vertical and horizontal level indicator | 16 Gasket, vacuum cover |
| 5 Carriage | 17 Gasket, base vacuum suction |
| 6 Carrying handle | 18 Back support |
| 7 Locking clamp (quick mounting) | 19 Feed lever |
| 8 Carriage lock | 20 Locking screw, column tilt |
| 9 Gear box | 21 Collar |
| 10 Gear rack | 22 Allen key (3 mm, 4 mm) |
| 11 Wheel set (removable) | 23 Operator's manual |
| 12 Leveling adjustment screws | 24 Mounting plate |

MACHINE'S SAFETY EQUIPMENT

General



WARNING! Never use a machine with faulty safety equipment. The machine's safety equipment must be checked and maintained as described in this section. If your machine fails any of these checks contact your service agent to get it repaired.

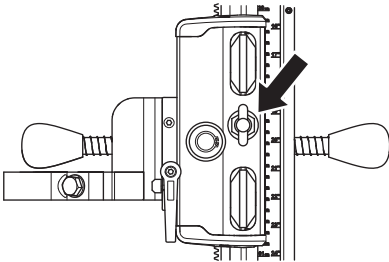
This section describes the machine's safety equipment, its purpose, and how checks and maintenance should be carried out to ensure that it operates correctly.

Carriage lock

The carriage lock is used when replacing the drill bit and mounting the drill motor. The lock consists of a knob that locks the carriage to the drill column.

Carriage lock inspection

- Turn the knob to lock it.



- Feel by hand that the carriage is locked to the drill column.

OPERATING

Steps before using a new stand

- Please read the operator's manual carefully and make sure you understand the instructions before using the machine.
- This machine is designed for and intended for drilling concrete, brick and different stone materials. All other use is improper.
- The machine is intended for use in industrial applications by experienced operators.
- Keep the workplace tidy. Disorder leads to accident risks.
- Also read the operating manual enclosed with the drill motor and check that its performance is compatible with the stand.

Always use common sense

It is not possible to cover every conceivable situation you can face. Always exercise care and use your common sense. Avoid all situations which you consider to be beyond your capability. If you still feel uncertain about operating procedures after reading these instructions, you should consult an expert before continuing.

Do not hesitate to contact your dealer if you have any more questions about the use of the machine. We will willingly be of service and provide you with advice as well as help you to use your machine both efficiently and safely.

Let your Husqvarna dealer regularly check the machine and make essential adjustments and repairs.

All information and all data in the Operator's Manual were applicable at the time the Operator's Manual was sent to print.



WARNING! Under no circumstances should you modify the original design of the machine without approval from the manufacturer. Always use original spare parts. Unauthorized modifications and/or accessories may lead to serious injury or death to the user or others.

Protective equipment

General

Do not use the machine unless you are able to call for help in the event of an accident.

Personal protective equipment

You must use approved personal protective equipment whenever you use the machine. Personal protective equipment cannot eliminate the risk of injury but it will reduce the degree of injury if an accident does happen. Ask your dealer for help in choosing the right equipment.



WARNING! The use of products such as cutters, grinders, drills, that sand or form material can generate dust and vapors which may contain hazardous chemicals. Check the nature of the material you intend to process and use an appropriate breathing mask.



WARNING! Long-term exposure to noise can result in permanent hearing impairment. So always use approved hearing protection. Listen out for warning signals or shouts when you are wearing hearing protection. Always remove your hearing protection as soon as the engine stops.



WARNING! There is always a risk of crush injuries when working with products containing moving parts. Wear protective gloves to avoid body injuries.

Always wear:

- Protective helmet
- Hearing protection
- Protective goggles or a visor
- Breathing mask
- Heavy-duty, firm grip gloves.
- Tight-fitting, heavy-duty and comfortable clothing that permits full freedom of movement.
- Boots with steel toe-caps and non-slip sole
- Always have a first aid kit nearby.

Be careful as clothing, long hair, and jewellery can get caught in moving parts.

OPERATING

General safety precautions



WARNING! Read all safety warnings and all instructions. Neglecting to follow the warnings and instructions can lead to serious injury or death for the operator or others.

Work area safety

- **Keep work area clean and well lit.** Cluttered or dark areas invite accidents.
- People and animals can distract you causing you to lose control of the machine. For this reason, always remain concentrated and focused on the task.
- Do not use the machine in bad weather, such as dense fog, heavy rain, strong wind, intense cold, etc. Working in bad weather is tiring and can lead to dangerous conditions, e.g. slippery surfaces.
- Never start to work with the machine before the working area is clear and you have a firm foothold. Look out for any obstacles with unexpected movement. Ensure that no material can become loose and fall, causing injury when operating the machine.
- Always check the rear side of the surface where the drill bit will emerge when drilling right through. Secure and cordon off the area and make sure that no one can be injured or material damaged.

Personal safety



WARNING! There is always a risk of crush injuries when working with products containing moving parts. Always wear protective gloves.

- Wear personal protective equipment. See instructions under the heading "Personal protective equipment".
- Never use the machine if you are tired, if you have drunk alcohol, or if you are taking medication that could affect your vision, your judgement or your coordination.
- Never allow anyone else to use the machine without first ensuring that they have read and understood the contents of the operator's manual.
- Be careful as clothing, long hair, and jewellery can get caught in moving parts.
- Never work alone, always ensure there is another person close at hand. Apart from being able to receive help to assemble the machine, you can also get help if an accident should occur.

Use and care

- Never use a machine that is faulty. Carry out the safety checks, maintenance and service instructions described in this manual. Some maintenance and service measures must be carried out by trained and qualified specialists. See instructions under the heading Maintenance.
- Never use a machine that has been modified in any way from its original specification.
- Keep all parts in good working order and ensure that all fixtures are properly tightened.

Transport and storage

- Store the equipment in a lockable area so that it is out of reach of children and unauthorized persons.
- Store the drilling machine and stand in dry and frost free conditions.

General working stand safety warnings



WARNING! Read all safety warnings and all instructions. Failure to follow the warnings and instructions may result in electric shock, fire and/or serious injury.

NOTICE! Save all warnings and instructions for future reference.

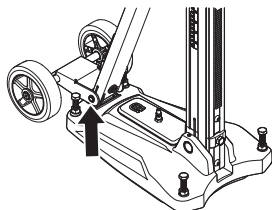
- **Disconnect the plug from the power source and/or the battery pack from the power tool before making any adjustments, changing accessories** Accidental starting of the power tool is a cause of some accidents.
- **Properly assemble the working stand before mounting the tool.** Proper assembly is important to prevent risk of collapse.
- **Securely fasten the power tool to the working stand before use.** Power tool shifting on the working stand can cause loss of control.
- **Place the working stand on a solid, flat and level surface.** When the working stand can shift or rock, the power tool or workpiece cannot be steadily and safely controlled.
- **Do not overload the working stand or use as ladder scaffolding.** Overloading or standing on the working stand causes the stand to be "top-heavy" and likely to tip over.

This stand is for Husqvarna DM machines. Only use power tools designed for this stand.

ASSEMBLY

Fit the wheel kit

- Fit the wheel set to the carriage column.
- Fit the wheel set to the bracket on the rear of the baseplate and tighten the screws.



Secure the stand

There are three methods for fixing the stand.

- Securing with vacuum plate
- Fixing with expander or anchor
- Fixing with threaded rod, washer and lock nut

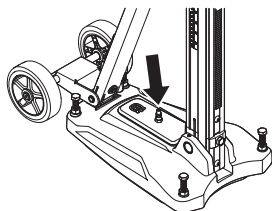
Securing with vacuum plate



WARNING! The vacuum plate must never be used for ceiling or wall drilling. Careless or incorrect use can result in serious, even fatal injury.

If the vacuum plate is used, make sure the support surface is not porous and can loosen. Make sure that the vacuum pump has sufficient power to secure the vacuum plate.

- Fit the vacuum gasket to the baseplate.
- Connect the vacuum pump to the quick coupling for vacuum pressure on the baseplate.



- Place the bottom plate in the desired position.
- Switch on the vacuum pump. A minimum pressure of 635 mm Hg (25 inch Hg) must be reached for the baseplate to seal tightly against a surface.

Fixing with expander or anchor

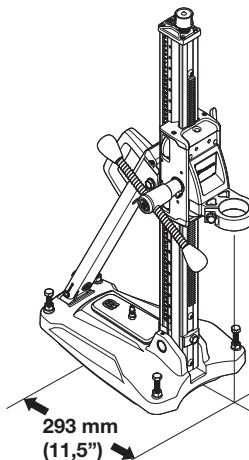


IMPORTANT! When drilling ceilings, only expander or anchor suitable for surfaces exposed to tensile forces should be used.

Use only expander or anchor which is approved for current application.

DS150

- Drill a hole for the expander/anchor at a distance of 293 mm (11.5") from the center of the hole.

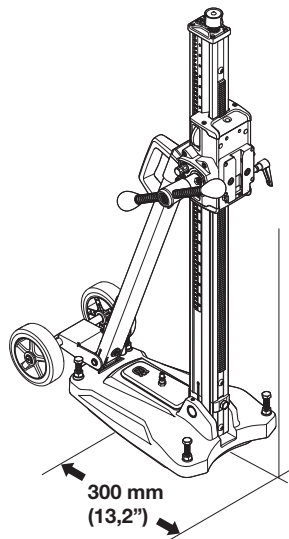


- Screw the baseplate tight. Check carefully that the expander is secured correctly.
- The bottom plate can be adjusted to the surface by using the leveling adjustment screws. Use the feed handle.

ASSEMBLY

DS250, DS250 Single speed, DS250 Single speed short

- Drill a hole for the expander/anchor at a distance of 300 mm (11.8") from the centre of the hole. The distance of 300 mm (11.8") applies to the quick mounting bracket with quick coupling for a DM220. With a collar fitted, the distance is 320 mm (12.6").



- Screw the baseplate tight. Check carefully that the expander is secured correctly.
- The bottom plate can be adjusted to the surface by using the leveling adjustment screws. Use the feed handle.

Fixing with threaded rod, washer and lock nut

If the mounting surface is inadequate for drilling in ceilings or walls, the baseplate can be fixed using a threaded rod, which is mounted on the back end with a washer and locking nut.

Assembly of drill motor



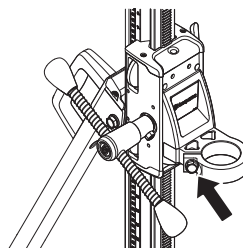
IMPORTANT! Always pull out the plug from the outlet socket before cleaning, maintenance or assembly.

- Always remove the drill bit before the motor is mounted or dismounted.
- Lock the feed housing lock.

Collar assembly

DS150

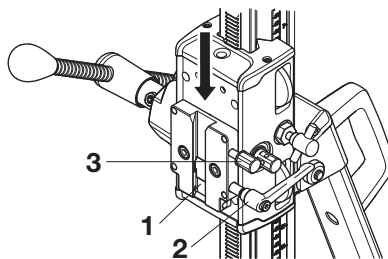
- Fasten the drill spindle to the collar. Use the feed handle.



Quick mounting bracket assembly

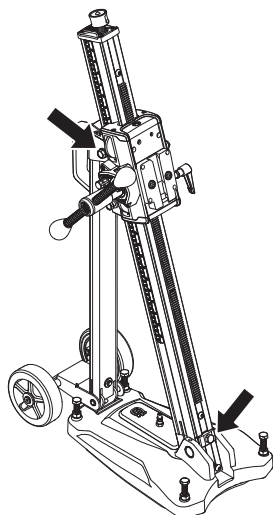
DS250, DS250 Single speed, DS250 Single speed short

- Fit the quick mounting for the drill motor in the track on the locking clamp. Make sure that the quick-mount is pushed all the way to the bottom (1) of the rail on the locking clip.
- Secure with the locking handle (2).



Use top positioned locking screw (3) only together with DMS 240.

Adjust the column tilt



Loosen the locking screws for column tilt and set the desired drill angle. Tighten the locking screws. Use the feed handle. The column can be tilted 0-60°.

The angle indicator can be used for approximate adjustment. If higher precision is required, alternative measuring methods should be used.

Drilling in the ceiling



WARNING! Use a water collector to avoid water penetrating into the machine. The machine must be covered with plastic or the like in order to prevent water penetrating into the machine, but do not cover the air intakes and air outlets.

MAINTENANCE

Stand maintenance



WARNING! Inspection and/or maintenance should be carried out with the motor switched off and the plug disconnected.

The lifetime of your machine can be extended considerably if it is used, cared for and maintained in the proper manner.

Cleaning and lubrication



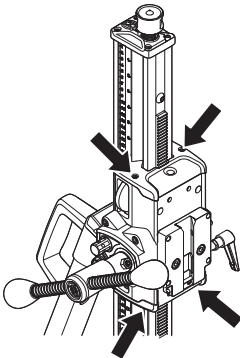
IMPORTANT! Remove the drill motor.

- It is important that the drill stand is kept clean for functionality to be maintained.
- Clean the stand using a high pressure washer and then wipe dry.
- Lubricate the moving parts on the stand. Apply grease to counteract corrosion on the contact surfaces.

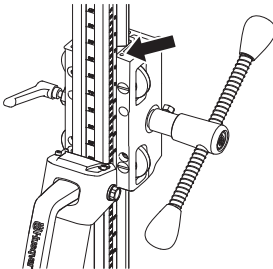
Adjusting the feed housing

If there is play between the column and the feed housing, the play must be adjusted.

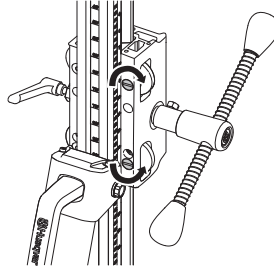
- Remove top and bottom plastic carriage covers.



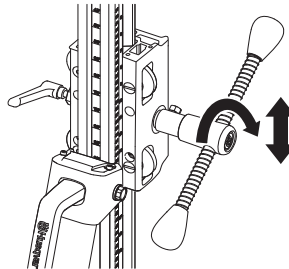
- Loosen set screws holding guide roller shafts.



- Start with the top guide roller. Use a flat screwdriver and turn clockwise to guide the roller closer to the column.
- Tighten set screw to lock the guide roller shaft.
- Adjust the lower roller by screwing anti-clockwise to guide the roller nearer to the column.



- Tighten set screw to lock the guide roller shaft.
- Use the feed handle to see if the feed housing moves smoothly on the column. If not, adjust the rollers again.



- Fit the top and bottom plastic carriage covers.

Repairs



IMPORTANT! All types of repairs may only be carried out by authorised repairmen. This is so that the operators are not exposed to great risks.

Daily maintenance

- 1 Check that nuts and screws are tight.
- 2 Clean the outside of the machine.
- 3 Check that the feed crank can be moved without resistance.
- 4 Check that the gearing moves easily and does not cause any noise.
- 5 Check for any wear or damage on the column.
- 6 Check that the feed housing can be moved easily and does not backlash against the stand column.

TECHNICAL DATA

Dimensions	DS150	DS250	DS250 Single speed	DS250 Single speed short
Height, inches/mm	862/33,9	1052/41,4	1052/41,4	862/33,9
Width, inches/mm	266/10,5	266/10,5	266/10,5	266/10,5
Depth, inches/mm	522/20,6	545/21,5	545/21,5	545/21,5
Weight, lb/kg	14/30,9	17/37,5	16/35,3	15/38
Travel length, inches/mm	495/19,5	686/27	686/27	495/19,5
Max. drill bit diameter, inches/mm	150/6	250/10	150/6 (collar) 250/10 (quick mounting)	250/10
The column's angling	0-60°	0-60°	0-60°	0-60°
Maximum load, lb/kg	110/50	110/50	110/50	110/50

US WARRANTY STATEMENT

WARRANTY POLICY

All warranty claims will be determined after inspection at a designated facility. A Returned Goods Authorization is required for all warranty claims. Contact Husqvarna Customer Service Department at 800-845-1312 for an RGA. The customer must prepay the freight and absorb any labor expense required to return or replace a product submitted for warranty consideration. Husqvarna will pay return shipping expenses for repaired or approved replacement products.

EQUIPMENT

Equipment manufactured by Husqvarna is warranted to be free from manufacturing defects in normal service for a period of two (2) years from date of purchase by the original consumer purchaser. **Component manufacturers offer separate warranty periods. Call Technical Services at 800-288-5040 for complete information.**

Our obligation under this warranty is expressly limited to the replacement or repair at Husqvarna Construction Products North America, Olathe, Kansas 66061, or at a service facility designated by us, of such part or parts as inspection shall disclose to have been defective.

This warranty does not apply to defects caused by damage, unreasonable use, faulty repairs made by others than an approved Husqvarna servicing dealer, or defects caused by failure to provide reasonable maintenance, while in the possession of the consumer. Further, the warranty is void if the product, or any of its components, are altered or modified by the consumer purchaser, or if the product is used in an inappropriate manner or with tools not recommended by the manufacturer.

Exceptions: Drill motors - 3 months, Wall saws - 1 year, Power cutters - 3 months, DM230 - 1 year, DM225 - 3 months, Gyro systems - 1 year, CD40 system - 1 year, DS160 C - 1 year, Smart box - 1 year, CS2515 - 1 year, PP455 E - 1 year, PP345 E - 1 year, HP40 - 1 year.

Wear items: Filters, spark plugs, bearings*, belts, wheels** and wear pads.

*Except IntelliSeal™ system. **Except delamination.

EXPLICATION DES SYMBOLES

Symboles sur la machine

AVERTISSEMENT! La machine utilisée de manière imprudente ou inadéquate peut devenir un outil dangereux, pouvant causer des blessures graves voire mortelles à l'utilisateur et aux autres personnes présentes.



Lire attentivement et bien assimiler le manuel d'utilisation avant d'utiliser la machine.



Les autres symboles/autocollants présents sur la machine concernent des exigences de certification spécifiques à certains marchés.

Explication des niveaux d'avertissement

Il existe trois niveaux d'avertissement.

AVERTISSEMENT!



AVERTISSEMENT! Symbole utilisé en cas de risque de blessures très graves ou de mort pour l'utilisateur ou de dommages pour les environs si les instructions du manuel ne sont pas suivies.

REMARQUE !



REMARQUE ! Symbole utilisé en cas de risque de blessures pour l'utilisateur ou de dommages pour les environs si les instructions du manuel ne sont pas suivies.

ATTENTION !

ATTENTION ! Symbole utilisé en cas de risque de dommages pour les matériaux ou la machine si les instructions du manuel ne sont pas suivies.

SOMMAIRE

Sommaire

EXPLICATION DES SYMBOLES

Symboles sur la machine	17
Explication des niveaux d'avertissement	17

SOMMAIRE

Sommaire	18
Contrôler les points suivants avant la mise en marche:	18

PRÉSENTATION

Cher client,	19
Conception et propriétés	19
Colonnes de carottage	20

QUELS SONT LES COMPOSANTS?

Quels sont les composants du support?	22
---	----

ÉQUIPEMENT DE SÉCURITÉ DE LA MACHINE

Généralités	23
Verrouillage carter d'alimentation	23

COMMANDE

Mesures avant utilisation d'un nouveau support ...	24
Équipement de protection	24
Instructions générales de sécurité	25
Consignes générales de sécurité relatives au support de travail	25

MONTAGE

Réglage du train de roues	26
Sécuriser le bâti	26
Montage du moteur de forage	27
Régler l'inclinaison de la colonne	28
Forage dans le plafond	28

ENTRETIEN

Entretien du support	29
----------------------------	----

CARACTÉRISTIQUES TECHNIQUES

DECLARATION DE GARANTIE ETATS-UNIS

POLITIQUE DE GARANTIE	31
EQUIPEMENT	31

Contrôler les points suivants avant la mise en marche:



AVERTISSEMENT! La découpe, particulièrement la découpe à SEC soulève la poussière générée par le matériau coupé qui contient souvent de la silice. La silice est composée de sable, de quarts d'argile, de granit et de nombreuses autres substances minérales et rocheuses. L'exposition à une quantité excessive d'une telle poussière peut causer:

Des maladies respiratoires (altérant les facultés respiratoires), y compris bronchites chroniques, silicose et fibrose pulmonaire dues à une exposition à la silice. Ces maladies peuvent être fatales;

Irritation cutanée et démangeaisons.

Des cancers selon NTP* et IARC* */ National Toxicology Program, International Agency for Research on Cancer

Prendre des mesures préventives:

Éviter l'inhalation et le contact avec la peau de la poussière, des vapeurs et des fumées.

L'utilisateur et les personnes présentes sur le site doivent porter des protections respiratoires appropriées telles que des masques spécialement prévus pour filtrer les particules microscopiques. (Voir OSHA 29 CFR Partie 1910.1200)

Couper si possible en utilisant le jet d'eau afin de réduire la poussière dispersée.

PRÉSENTATION

Cher client,

Nous vous remercions d'avoir choisi un produit Husqvarna ! Nous espérons que cette machine vous donnera toute satisfaction et qu'elle vous accompagnera pendant de longues années. L'achat de l'un des nos produits garantit une assistance professionnelle pour l'entretien et les réparations. Si la machine n'a pas été achetée chez l'un de nos revendeurs autorisés, demandez l'adresse de l'atelier d'entretien le plus proche.

Ce mode d'emploi est précieux. Veillez à ce qu'il soit toujours à portée de main sur le lieu de travail. En suivant les instructions qu'il contient (utilisation, révision, entretien etc.), il est possible d'allonger considérablement la durée de vie de la machine et d'augmenter sa valeur sur le marché de l'occasion. En cas de vente de la machine, ne pas oublier de remettre le manuel d'utilisation au nouveau propriétaire.

Plus de 300 ans d'innovation

Husqvarna AB est une entreprise suédoise qui a vu le jour en 1689 lorsque le roi Karl XI décida de construire un arsenal pour la fabrication des mousquets. À l'époque, les compétences en ingénierie à la base du développement de certains des produits leaders du marché mondial dans des domaines tels que les armes de chasse, les vélos, les motocycles, l'électroménager, les machines à coudre et les produits d'extérieur, étaient déjà solides.

Husqvarna est le premier fournisseur mondial de produits motorisés pour utilisation en extérieur dans la foresterie, l'entretien de parcs, de pelouses et de jardins, ainsi que d'équipements de coupe et d'outils diamant destinés aux industries de la construction et de la pierre.

Responsabilité du propriétaire

Il est de la responsabilité du propriétaire/de l'employeur de s'assurer que l'utilisateur possède les connaissances nécessaires pour manipuler la machine en toute sécurité. Les responsables et les utilisateurs doivent avoir lu et compris le Manuel d'utilisation. Ils doivent avoir conscience :

- Des instructions de sécurité de la machine.
- Des diverses applications de la machine et de ses limites.
- De la façon dont la machine doit être utilisée et entretenue.

Les législations locales peuvent limiter l'utilisation de cette machine. Recherchez les législations applicables pour le lieu où vous travaillez avant d'utiliser la machine.

Droit de réserve du fabricant

Husqvarna peut éditer des informations complémentaires concernant l'utilisation de ce produit en toute sécurité après la publication du présent manuel. Il incombe au propriétaire de se tenir informé des méthodes d'utilisation les plus sûres.

Husqvarna AB travaille continuellement au développement de ses produits et se réserve le droit d'en modifier, entre autres, la conception et l'aspect sans préavis.

Pour obtenir des informations et une assistance client, contactez-nous via notre site Web : www.husqvarna.com

Conception et propriétés

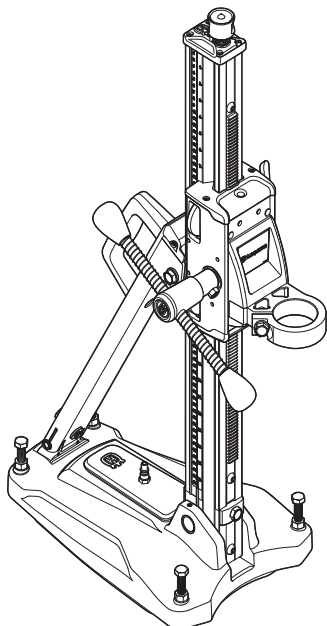
Les produits Husqvarna se distinguent par des valeurs telles que la haute performance, la fiabilité, la technologie innovante, les solutions techniques de pointe et les considérations environnementales. Pour utiliser ce produit en toute sécurité, l'utilisateur doit lire le manuel avec attention. Contactez votre revendeur Husqvarna pour obtenir de plus amples informations.

Certaines des caractéristiques uniques de votre produit sont décrites ci-dessous.

PRÉSENTATION

Colonnes de carottage

DS150

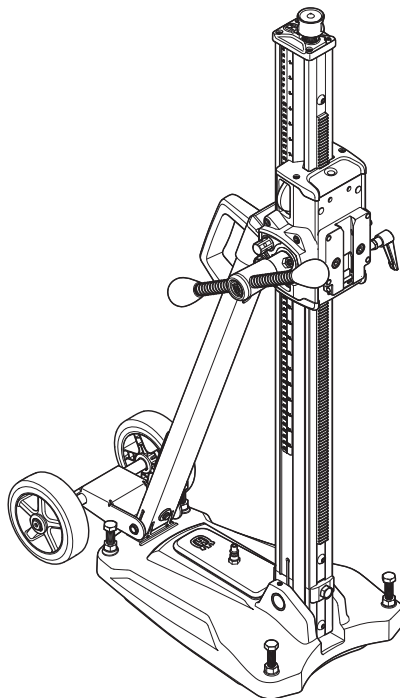


- Ce support est destiné au forage dans les plafonds
- La plaque du socle est en aluminium ce qui la rend extrêmement légère. Elle est équipée d'une plaque à vide intégrée.
- La colonne peut être inclinée de 0 à 60°.
- Le bâti est équipé d'un support de moteur de forage.
- La poignée d'alimentation peut-être utilisée pour desserrer et serrer le support de moteur, ajuster les boulons de réglage de la plaque du socle et ajuster l'inclinaison de la colonne.

Accessoires

- Boîte d'engrenages
- Train de roues

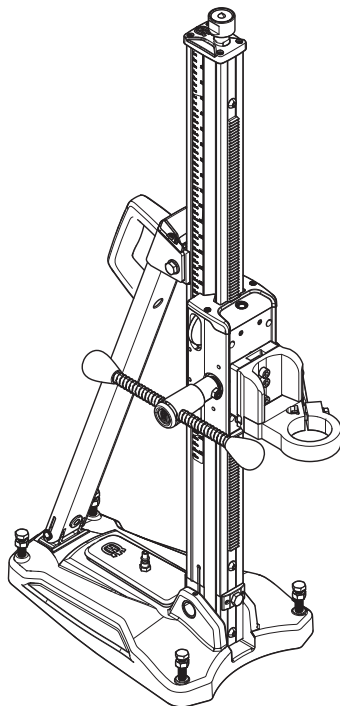
DS250



- Ce support est destiné au forage dans les plafonds
- La plaque du socle est en aluminium ce qui la rend extrêmement légère. Elle est équipée d'une plaque à vide intégrée.
- La colonne peut être inclinée de 0 à 60°.
- Le bâti de forage est équipé d'une plaque à raccordement rapide pour le moteur de forage.
- Le train de roues est amovible.
- Le rapport de fonctionnement du carter d'alimentation est ajustable. Le rapport maximum est de 2,25:1 et le rapport minimum, 1:1.
- Le levier d'alimentation peut être utilisé pour ajuster les vis de mise à niveau de la plaque de base et pour régler l'inclinaison souhaitée de la colonne.
- Installation du support de moteur sur le support de montage rapide

PRÉSENTATION

DS250 Single speed

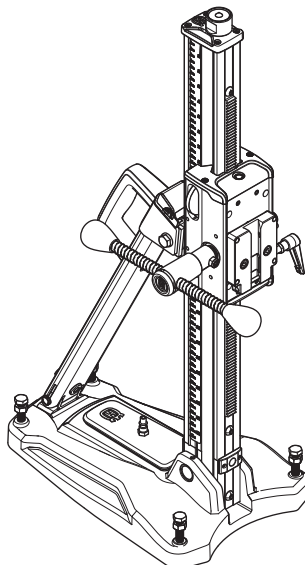


- Ce support est destiné au forage dans les plafonds
- La plaque du socle est en aluminium ce qui la rend extrêmement légère. Elle est équipée d'une plaque à vide intégrée.
- La colonne peut être inclinée de 0 à 60°.
- La colonne de carottage est équipée d'un support de montage rapide et d'un support de moteur.
- Le levier d'alimentation peut être utilisé pour ajuster les vis de mise à niveau de la plaque de base et pour régler l'inclinaison souhaitée de la colonne.

Accessoires

- Train de roues

DS250 Single speed short

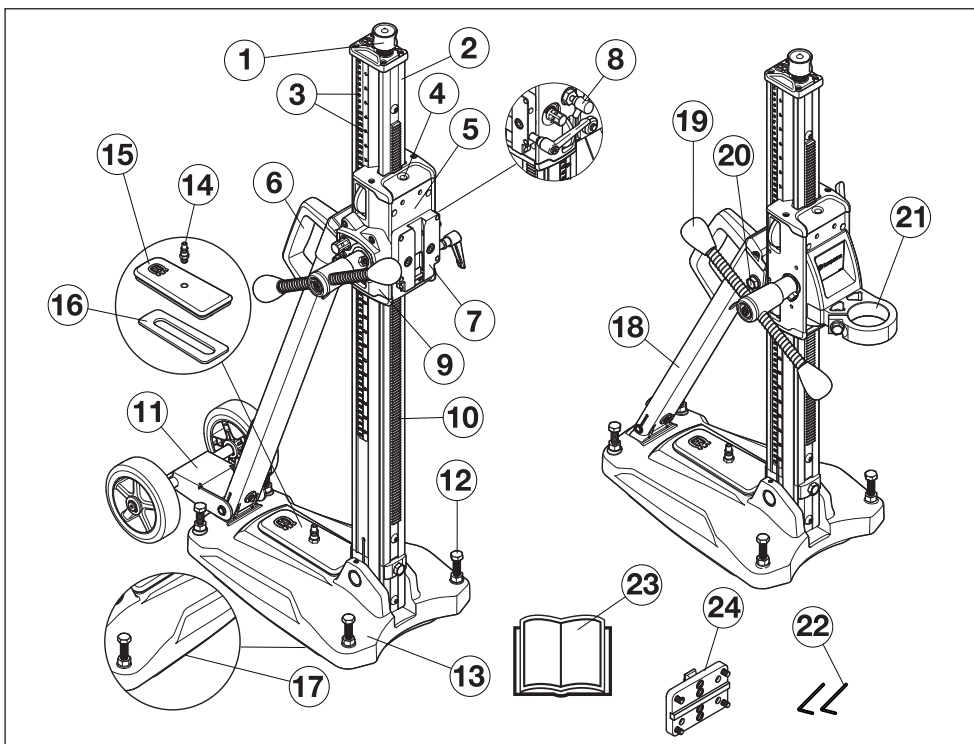


- Ce support est destiné au forage dans les plafonds
- La plaque du socle est en aluminium ce qui la rend extrêmement légère. Elle est équipée d'une plaque à vide intégrée.
- La colonne peut être inclinée de 0 à 60°.
- La colonne de carottage est équipée d'un support de montage rapide.
- Le levier d'alimentation peut être utilisé pour ajuster les vis de mise à niveau de la plaque de base et pour régler l'inclinaison souhaitée de la colonne.

Accessoires

- Train de roues
- Pompe à vide VP 200

QUELS SONT LES COMPOSANTS?



Quels sont les composants du support?

- | | | | |
|----|---|----|--|
| 1 | Vis de calage | 13 | Plaque du socle avec fonction de vide intégrée |
| 2 | Pilier de forage | 14 | Couplage rapide pour pression de vide |
| 3 | Graduation de profondeur et d'inclinaison | 15 | Capot du dispositif à vide |
| 4 | Indicateur de niveau vertical et horizontal | 16 | Joint, couvercle du dispositif de vide |
| 5 | Carter d'alimentation | 17 | Joint, aspiration de mise sous vide |
| 6 | Poignée pour le transport | 18 | Équerre d'appui |
| 7 | Fixation rapide (montage rapide) | 19 | Levier d'alimentation |
| 8 | Verrouillage carter d'alimentation | 20 | Vis de fixation, orientation du pilier de forage |
| 9 | Boîte d'engrenages | 21 | Support de moteur de forage |
| 10 | Crémaillère | 22 | Clé à six pans (3 mm, 4 mm) |
| 11 | Train de roues (amovible) | 23 | Manuel d'utilisation |
| 12 | Vis de réglage | 24 | Plaque de fixation |

Généralités



AVERTISSEMENT! Ne jamais utiliser une machine dont les équipements de sécurité sont défectueux. Contrôler et entretenir les équipements de sécurité de la machine conformément aux instructions données dans ce chapitre. Si les contrôles ne donnent pas de résultat positif, confier la machine à un atelier spécialisé.

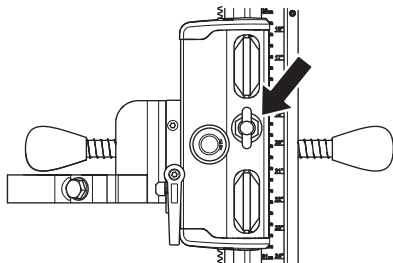
Ce chapitre présente les équipements de sécurité de la machine, leur fonction, comment les utiliser et les maintenir en bon état.

Verrouillage carter d'alimentation

Le verrou du chariot est utilisé lors du remplacement du foret et du montage du moteur de foret. Le verrou se compose d'un bouton qui bloque le chariot sur la colonne de forage.

Inspection du verrou du chariot

- Tournez le bouton de façon à le verrouiller.



- Vérifiez à la main que le chariot est bloqué sur la colonne de forage.

Mesures avant utilisation d'un nouveau support

- Lire attentivement et bien assimiler le manuel d'utilisation avant d'utiliser la machine.
- Cette machine est conçue pour le perçage du béton, des briques et de différents types de pierres. Toute autre utilisation est incorrecte.
- La machine est conçue pour des applications industrielles et destinée à des opérateurs expérimentés.
- Assurez-vous que le poste de travail est bien rangé. Le désordre augmente les risques d'accident.
- Veuillez également parcourir le mode d'emploi fourni avec le moteur de forage et vérifier que les performances de ce dernier sont compatibles avec le support.

Utilisez toujours votre bon sens

Il est impossible de mentionner toutes les situations auxquelles vous pouvez être confronté. Soyez toujours vigilant et utilisez l'appareil avec bon sens. Évitez toutes les situations pour lesquelles vous ne vous estimez pas suffisamment qualifié. Si, après avoir lu ces instructions, vous ne vous sentez toujours pas à l'aise quant à la manière de procéder, il convient de consulter un expert avant de poursuivre.

N'hésitez pas à prendre contact avec votre revendeur si vous avez des questions sur l'utilisation de la machine. Nous sommes à votre disposition et vous conseillerons avec plaisir pour vous aider à utiliser votre machine en toute sécurité et de façon efficace.

Faites régulièrement contrôler la machine par votre revendeur Husqvarna afin qu'il procède aux installations et réparations adéquates.

Toutes les informations et toutes les données indiquées dans ce manuel d'utilisation étaient valables à la date à laquelle ce manuel a été porté à l'impression.



AVERTISSEMENT! Ne jamais modifier, sous aucun prétexte, la construction initiale de la machine sans l'autorisation du fabricant. N'utiliser que des accessoires et des pièces d'origine. Toute modification non autorisée et/ou tout emploi d'accessoires non homologués peuvent provoquer des accidents graves voire mortels pour l'utilisateur et les autres.

Équipement de protection

Généralités

Ne jamais utiliser une machine s'il n'est pas possible d'appeler au secours en cas d'accident.

Équipement de protection personnelle

Un équipement de protection personnelle homologué doit impérativement être utilisé lors de tout travail avec la machine. L'équipement de protection personnelle n'élimine pas les risques mais réduit la gravité des blessures en cas d'accident. Demander conseil au concessionnaire afin de choisir un équipement adéquat.



AVERTISSEMENT! L'utilisation de produits tels que des ciseaux, des disques, des forets, des disques fins ou des formes peut générer de la poussière et des vapeurs pouvant contenir des substances chimiques toxiques. Vérifiez la composition du matériel avec lequel vous travaillez et portez un masque respiratoire adapté.



AVERTISSEMENT! Une exposition prolongée au bruit risque de causer des lésions auditives permanentes. Toujours utiliser des protecteurs d'oreille agréés. Soyez toujours attentifs aux signaux d'alerte ou aux appels en portant des protège-oreilles. Enlevez-les sitôt le moteur arrêté.



AVERTISSEMENT! Le risque de coincement est toujours présent lors de travail avec des produits comportant des éléments mobiles. Utiliser des gants de protection pour éviter les blessures personnelles.

Toujours utiliser:

- Casque de protection
- Protecteur d'oreilles
- Lunettes protectrices ou visière
- Masque respiratoire
- Gants solides permettant une prise sûre.
- Vêtements confortables, robustes et serrés qui permettent une liberté totale de mouvement.
- Bottes avec coquille en acier et semelle antidérapante
- Une trousse de premiers secours doit toujours être disponible.

Attention! Les habits, les cheveux longs et les bijoux peuvent se coincer dans les parties en mouvement.

COMMANDE

Instructions générales de sécurité



AVERTISSEMENT! Lire toutes les consignes et instructions de sécurité. Le non-respect des instructions et avertissements suivants peut provoquer des accidents graves voire mortels, à l'utilisateur ou à d'autres personnes.

Sécurité dans l'espace de travail

- **Maintenir un espace de travail propre et bien éclairé.** Les espaces encombrés ou sombres exposent à des accidents.
- Des personnes ou des animaux peuvent détourner l'attention de l'opérateur et l'amener à perdre le contrôle de la machine. C'est pourquoi l'opérateur doit toujours être attentif et concentré sur son travail.
- Ne pas travailler par mauvais temps: brouillard épais, pluie diluvienne, vent violent, grand froid, etc. Travailler par mauvais temps est fatiguant et peut créer des conditions de travail dangereuses telles que le verglas.
- Ne jamais commencer à travailler avec la machine sans avoir le champ libre et les pieds bien daplomb. Identifier les obstacles éventuels dans le cas de déplacement inattendu. S'assurer qu'aucun matériau ne risque de tomber et de provoquer des blessures ou des dommages lors de travail avec la machine.
- Contrôlez toujours la partie arrière de la surface traversée par le trépan. Délimitez la zone de travail et vérifiez que personne ne peut être blessé ni aucun matériau endommagé.

Sécurité du personnel



AVERTISSEMENT! Le risque de coincement est toujours présent lors de travail avec des produits comportant des éléments mobiles. Toujours utiliser des gants de protection.

- Utiliser les équipements de protection personnelle. Voir au chapitre "Équipement de protection personnelle".
- Éviter d'utiliser la machine en cas de fatigue, d'absorption d'alcool ou de prise de médicaments susceptibles d'affecter l'acuité visuelle, le jugement ou la maîtrise du corps.
- Ne jamais laisser d'autres personnes utiliser la machine sans s'être assuré au préalable que ces personnes ont bien compris le contenu du mode d'emploi.
- Attention! Les habits, les cheveux longs et les bijoux peuvent se coincer dans les parties en mouvement.
- Ne travaillez jamais seul, mais toujours avec une personne à proximité. Cette personne peut aider à monter la machine, mais aussi intervenir en cas d'accident.

Utilisation et entretien

- Ne jamais utiliser une machine qui n'est pas en parfait état de marche. Appliquer les instructions de maintenance et d'entretien ainsi que les contrôles de sécurité indiqués dans ce manuel d'utilisation. Certaines mesures de maintenance et d'entretien doivent être confiées à un spécialiste dûment formé et qualifié. Voir les instructions à la section Maintenance.
- Ne jamais utiliser une machine qui a été modifiée au point de ne plus être conforme au modèle original.
- Assurez-vous que toutes les pièces sont en état de fonctionnement et que tous les éléments de fixation sont correctement serrés.

Transport et rangement

- Stockez l'équipement dans un endroit verrouillé afin de le maintenir hors de portée des enfants et de toute personne incompétente.
- Stockez la perceuse et le support dans un endroit sec et à l'abri du gel.

Consignes générales de sécurité relatives au support de travail



AVERTISSEMENT! Lire toutes les consignes et instructions de sécurité. Le non-respect des consignes et instructions peut provoquer une électrocution, un incendie et/ou des blessures graves.

ATTENTION ! Conserver toutes ces consignes et instructions pour toute consultation ultérieure.

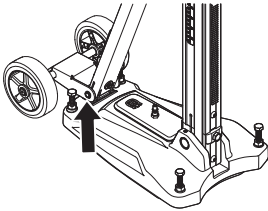
- **Débranchez la fiche de la prise et/ou le bloc de batteries de l'outil à moteur avant de procéder aux réglages ou de changer les accessoires** Un démarrage accidentel de l'outil à moteur peut entraîner des accidents.
- **Assemblez correctement le support de travail avant de monter l'outil.** Un assemblage correct est essentiel pour réduire le risque d'effondrement.
- **Fixez et sécurisez l'outil à moteur sur le support de travail avant toute utilisation.** Vous risquez de perdre le contrôle si l'outil à moteur bouge sur le support de travail.
- **Placez le support de travail sur une surface solide, plate et régulière.** Si le support de travail risque de se déplacer ou de bouger, vous pourriez ne plus pouvoir contrôler l'outil à moteur ou la pièce de travail de façon ferme et sûre.
- **Ne surchargez pas le support de travail et ne l'utilisez pas comme échafaudage.** En cas de surcharge ou si vous montez sur le support, l'ensemble risque de se renverser en raison d'une répartition inégale du poids.

Ce support est destiné aux machines Husqvarna DM. Utilisez uniquement des outils à moteur conçus pour ce support.

MONTAGE

Réglage du train de roues

- Installer le train de roues sur l'équerre d'appui.
- Ajuster le train de roues dans le support à l'arrière de la plaque inférieure et serrer les vis.



Sécuriser le bâti

Il y a trois méthodes de fixation du bâti.

- Sécurisation avec plaque à vide
- Fixation avec mandrin expansible ou ancrage
- Fixation avec tige filetée, rondelle et contre-écrou

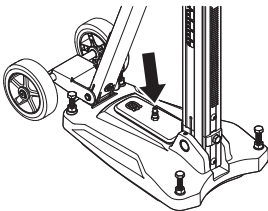
Sécurisation avec plaque à vide



AVERTISSEMENT! Il convient de ne jamais utiliser la plaque à vide pour le forage dans un plafond ou dans un mur. Une utilisation imprudente ou incorrecte peut résulter en des blessures graves voire mortelles.

Si la plaque à vide est utilisée, assurez-vous que la surface du support n'est pas poreuse et qu'elle ne peut se détacher. Vérifiez que la pompe à vide possède la capacité nécessaire par la plaque de sous-pression.

- Installer le joint d'évacuation sur la plaque du socle.
- Raccorder la pompe à vide au couplage rapide pour la pression de vide sur la plaque du socle.



- Placer la plaque du socle dans la position souhaitée.
- Mettre en marche la pompe à vide. Une pression minimum de 635 mm Hg (25 pouces Hg) doit être atteinte pour que la plaque du socle adhère fermement à la surface.

Fixation avec mandrin expansible ou ancrage

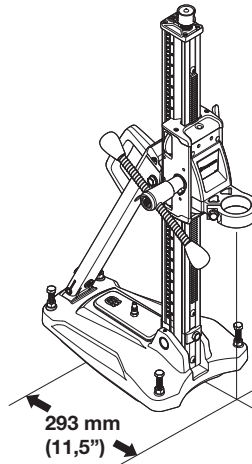


IMPORTANT! Pour le forage de plafonds, il convient d'utiliser qu'un mandrin expansible ou un ancrage adapté aux surfaces exposées à des forces de traction.

N'utiliser qu'un mandrin expansible ou un ancrage approuvé pour la présente application.

DS150

- Percer un trou pour le mandrin expansible/ancrage à une distance de 293 mm (11,5") du centre du trou.

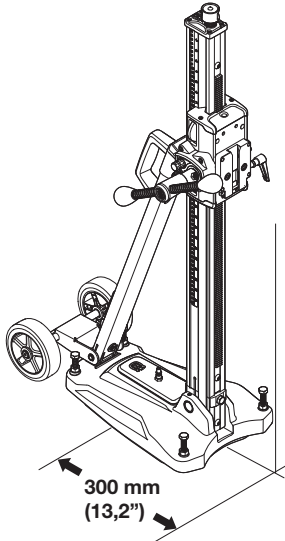


- Serrer fortement la plaque du socle. Contrôlez soigneusement que la vis d'expansion est bien ancrée.
- La plaque du socle peut être ajustée à la surface à l'aide des vis de réglage. Utiliser le levier d'alimentation.

MONTAGE

DS250, DS250 Single speed, DS250 Single speed short

- Percer un trou pour le mandrin expansible/ancrage à une distance de 300 mm (11,8") du centre du trou. Appliquer une distance de 300 mm (11,8") pour le couplage avec le support de montage rapide pour le DM220. Avec un support de moteur de forage, la distance doit être de 320 mm (12,6").



- Serrer fortement la plaque du socle. Contrôlez soigneusement que la vis d'expansion est bien ancrée.
- La plaque du socle peut être ajustée à la surface à l'aide des vis de réglage. Utiliser le levier d'alimentation.

Fixation avec tige filetée, rondelle et contre-écrou

Si la surface de montage n'est pas adéquate pou

Montage du moteur de forage



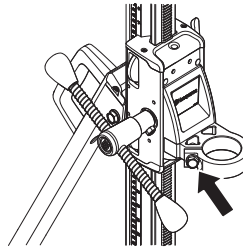
IMPORTANT! Toujours débrancher la prise avant le nettoyage, l'entretien et le montage.

- Retirez toujours le trépan avant de monter ou de déposer le moteur.
- Enclenchez le dispositif de blocage du boîtier de commande.

Montage du support de moteur de forage

DS150

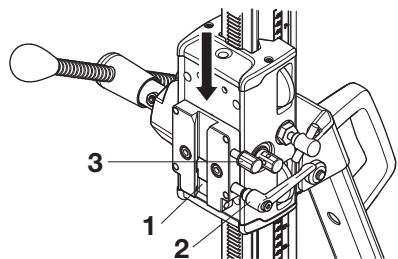
- Fixer la broche de forage sur le support du moteur de forage. Utiliser le levier d'alimentation.



Montage de la fixation rapide

DS250, DS250 Single speed, DS250 Single speed short

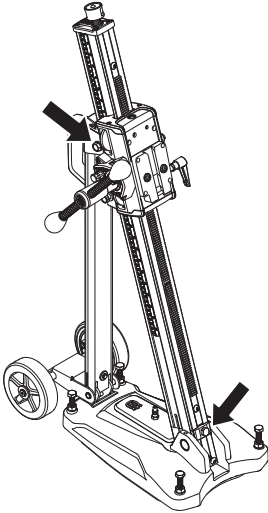
- Installer la fixation rapide de la foreuse dans le rail sur la cale de blocage. Veiller à ce que le support rapide soit bien inséré jusqu'en bas (1) du rail sur le clip de blocage.
- Fixer à l'aide de vis de poignée de verrouillage (2).



Utilisez la vis de blocage supérieure (3) uniquement avec DMS 240.

MONTAGE

Régler l'inclinaison de la colonne



Desserrer les vis de blocage pour l'inclinaison de la colonne et régler l'angle de forage souhaité. Serrer les vis de blocage. Utiliser le levier d'alimentation. La colonne peut être inclinée de 0 à 60°.

L'indicateur d'angle peut être utilisé pour un réglage approximatif. Si une précision supérieure est nécessaire, il convient d'utiliser des méthodes de mesure alternatives.

Forage dans le plafond



AVERTISSEMENT! Utilisez un collecteur d'eau pour éviter l'infiltration de l'eau dans la machine. La machine doit être recouverte avec du plastique ou matériau similaire pour empêcher l'infiltration d'eau; cependant, la prise d'air et l'orifice d'échappement ne doivent pas être recouverts.

ENTRETIEN

Entretien du support



AVERTISSEMENT! Les contrôles et/ou les entretiens doivent être effectués avec le moteur à l'arrêt et la prise électrique débranchée.

Une utilisation, un entretien et une maintenance corrects de la machine permettent de prolonger considérablement sa durée de vie.

Nettoyage et graissage



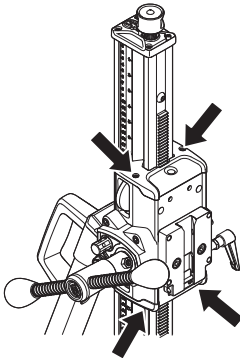
IMPORTANT! Retirez le moteur de forage.

- Pour qu'il continue à fonctionner correctement, il est essentiel que le support de forage soit toujours propre.
- Le support doit être nettoyé avec de l'air comprimé, puis séché.
- Graissez les éléments mobiles du support. Utilisez une graisse afin d'éliminer tout risque de corrosion sur les surfaces de contact.

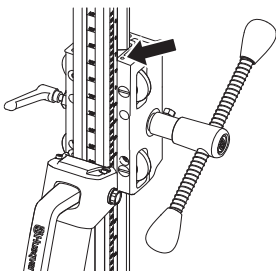
Réglage du boîtier de commande

S'il y a du jeu entre la colonne et le boîtier de commande, il convient de l'ajuster.

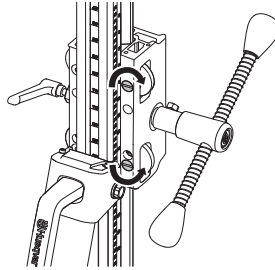
- Retirer les carters du chariot en plastique supérieur et inférieur.



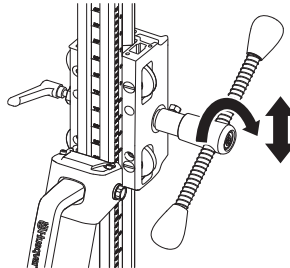
- Desserrer le jeu de vis fixant les axes du rouleau de guidage.



- Commencer avec le galet de guidage supérieur. Utiliser un tournevis plat et tourner dans le sens des aiguilles d'une montre pour le guider à proximité de la colonne.
- Serrer le jeu de vis pour fixer le rouleau de guidage.
- Ajuster le galet inférieur en vissant dans le sens inverse des aiguilles d'une montre pour le guider à proximité de la colonne.



- Serrer le jeu de vis pour fixer le rouleau de guidage.
- Utiliser le levier de commande pour voir si le boîtier bouge en douceur le long de la colonne. Dans le cas contraire, régler de nouveau les galets.



- Placer les carters du chariot en plastique inférieur et supérieur.

Réparations



IMPORTANT! Toutes les réparations doivent être effectuées par des réparateurs agréés. Ceci permet d'éviter que les opérateurs ne soient exposés à des risques importants.

Entretien quotidien

- 1 S'assurer que toutes les vis et tous les écrous sont bien serrés.
- 2 Nettoyer l'extérieur de la machine.
- 3 Vérifier que le bras de manivelle peut être déplacé sans résistance.
- 4 Vérifier que l'embrayage bouge facilement et n'émet aucun bruit.
- 5 Vérifier que la colonne ne présente aucune usure ou n'est pas endommagée.
- 6 Vérifier que le boîtier de commande peut être bougé facilement et ne saccade pas le long de la colonne de bâti.

CARACTÉRISTIQUES TECHNIQUES

Dimensions	DS150	DS250	DS250 Single speed	DS250 Single speed short
Hauteur, pouces/mm	862/33,9	1052/41,4	1052/41,4	862/33,9
Largeur, pouces/mm	266/10,5	266/10,5	266/10,5	266/10,5
Profondeur, pouces/mm	522/20,6	545/21,5	545/21,5	545/21,5
Poids, lb/kg	14/30,9	17/37,5	16/35,3	15/38
Course, pouces/mm	495/19,5	686/27	686/27	495/19,5
Diamètre max. de forage, pouces/mm	150/6	250/10	150/6 (support de moteur de forage) 250/10 (fixation rapide)	250/10
Angle du pilier de forage	0-60°	0-60°	0-60°	0-60°
Charge maximale, lb/kg	110/50	110/50	110/50	110/50

DECLARATION DE GARANTIE ETATS-UNIS

POLITIQUE DE GARANTIE

Toute réclamation au titre de la garantie sera résolue après inspection dans un établissement désigné. Une autorisation de retour de marchandise est nécessaire en cas de réclamation au titre de la garantie. Pour obtenir cette autorisation, veuillez contacter le département du Service Clients d'Husqvarna au 800-845-1312. Le client doit prépayer le transport et prendre en charge tous les frais de main d'oeuvre nécessaires au retour ou au remplacement d'un produit soumis à des fins de garantie. Husqvarna remboursera les frais de transport encourus pour les produits réparés ou les produits de remplacement homologués.

EQUIPEMENT

L'équipement fabriqué par Husqvarna est garanti pour être exempt de tout défaut de fabrication en fonctionnement normal pour une période de deux (2) ans à partir de la date de l'achat par l'acquéreur et utilisateur initial. **Les fabricants des pièces proposent des délais de garantie individuels. Pour davantage d'informations, veuillez contacter les Services techniques au 800-288-5040.**

Sous cette garantie, notre obligation est expressément limitée au remplacement ou à la réparation chez Husqvarna Construction Products North America, Olathe, Kansas 66061, ou à un atelier de réparation désigné par nos soins, de pièces que l'inspection aura déterminées comme défectueuses.

Cette garantie ne s'applique pas en cas de défauts occasionnés par des détériorations, une utilisation abusive, des réparations inadéquates opérées par des personnes autres qu'un réparateur Husqvarna homologué, ni en cas de défauts engendrés par un manque d'entretien minimum, une fois l'appareil en possession de l'utilisateur. Par ailleurs, la garantie est nulle si le produit, ou l'un de ses composants, est modifié par l'acheteur lui-même ou si le produit est utilisé d'une façon inappropriée ou avec des outils qui ne sont pas recommandés par le fabricant.

Exceptions : Moteurs de forage - 3 mois, Scies murales - 1 an, Découpeuses - 3 mois, DM 230 - 1 an, DM 225 - 3 mois, Système Gyro - 1 an, Système CD 40 - 1 an, DS 160 C - 1 an, Smart box - 1 an, CS 2515 - 1 an, PP 455 E - 1 an, PP 345 E - 1 an, HP 40 - 1 an.

Articles d'usure : Filtres, bougies d'allumage, roulements*, courroies, roues** et plaques d'usure.

*Système Except IntelliSeal™. **Sauf délaminage.

ACLARACION DE LOS SIMBOLOS

Símbolos en la máquina

¡ATENCIÓN! La máquina, si se utiliza de forma errónea o descuidada, puede ser una herramienta peligrosa que puede causar daños graves e incluso la muerte al usuario y a otras personas.



Lea detenidamente el manual de instrucciones y asegúrese de entender su contenido antes de utilizar la máquina.



Los demás símbolos/etiquetas que aparecen en la máquina corresponden a requisitos de homologación específicos en determinados mercados.

Explicación de los niveles de advertencia

Las advertencias se clasifican en tres niveles.

¡ATENCIÓN!



¡ATENCIÓN! Indica un riesgo de daños graves para el usuario o incluso muerte, o bien daños al entorno, si no se siguen las instrucciones del manual.

¡NOTA!



¡NOTA! Indica un riesgo de lesiones para el usuario o daños al entorno si no se siguen las instrucciones del manual.

AVISO

AVISO Indica un riesgo de daños en los materiales o en la máquina si no se siguen las instrucciones del manual.

Índice

ACLARACION DE LOS SIMBOLOS	
Simbolos en la máquina	32
Explicación de los niveles de advertencia	32
INDICE	
Índice	33
Antes de arrancar, observe lo siguiente:	33
PRESENTACIÓN	
Apreciado cliente:	34
Diseño y funciones	34
Soportes de taladros	35
¿QUE ES QUE?	
Componentes del soporte	37
EQUIPO DE SEGURIDAD DE LA MÁQUINA	
Generalidades	38
Bloqueo de la caja de alimentación	38
FUNCIONAMIENTO	
Pasos previos al uso de un soporte nuevo	39
Equipo de protección	39
Instrucciones generales de seguridad	40
Advertencias generales de seguridad sobre el soporte de trabajo	40
MONTAJE	
Instalación del conjunto del eje con ruedas	41
Sujeción de la base	41
Montaje del motor de la perforadora	42
Ajuste de la inclinación de la columna	43
Perforación en techos	43
MANTENIMIENTO	
Mantenimiento del soporte	44
DATOS TECNICOS	
DECLARACIÓN DE GARANTÍA PARA EE. UU.	
POLÍTICA DE GARANTÍA	46
EQUIPO	46

Antes de arrancar, observe lo siguiente:



¡ATENCIÓN! El material que se corta a menudo contiene sílice y, al cortarlo en SECO particularmente, desprende polvo. La sílice es un componente básico de la arena, la arcilla para ladrillos, del cuarzo, del granito, y de varios otros minerales y rocas. La exposición a una cantidad excesiva de polvo de sílice puede causar:

Enfermedades respiratorias (que afectan su habilidad para respirar) como bronquitis crónicas, silicosis y fibrosis pulmonares por exposición a la sílice. Estas enfermedades pueden ser mortales.

Irritación y erupción de la piel.

Cáncer, según el Programa Nacional de Toxicología (NTP) y el Centro Internacional de Investigaciones sobre el Cáncer (IARC).

Tome medidas de precaución:

Evite el contacto de la piel con el polvo, vapor y humo, y su inhalación.

Use, y asegúrese de que quienes lo rodean usen, indumentaria de protección del aparato respiratorio como las mascarillas antipolvo diseñadas para filtrar partículas microscópicas. (Consulte las normas de la OSHA: 29 CFR Parte 1910.1200.)

Corte en húmedo, en la medida de lo posible, para minimizar la cantidad de polvo.

Apreciado cliente:

Gracias por elegir un producto Husqvarna. Esperamos que su máquina le proporcione plena satisfacción y le sirva de ayuda por mucho tiempo en adelante. La adquisición de alguno de nuestros productos da acceso a asistencia profesional con reparaciones y servicio. Si la máquina no fue adquirida en un distribuidor oficial, preguntar en la tienda de compra la dirección del taller de servicio más cercano.

Este manual de instrucciones es un documento importante. Procure tenerlo siempre a mano en el lugar de trabajo. Siguiendo sus instrucciones (de uso, servicio, mantenimiento etcétera) puede alargar considerablemente la vida útil de la máquina e incrementar su valor de reventa. Si vende su máquina, entregue el manual de instrucciones al nuevo propietario.

Más de 300 años de innovación

La fundación de la empresa sueca Husqvarna AB data del año 1689, cuando el Rey Karl XI encargó la construcción de una fábrica para la fabricación de mosquetes. En ese momento se establecieron los cimientos de la experiencia tecnológica en la que se basan muchos de los productos punteros en el mundo en el sector de las armas de caza, bicicletas, motocicletas, electrodomésticos, máquinas de coser y productos para exteriores.

Husqvarna es líder internacional en productos motorizados para exteriores destinados a la silvicultura, el mantenimiento de parques y el cuidado del césped y del jardín, así como equipos de corte y herramientas de diamante para el sector de la construcción y la piedra.

Responsabilidad del propietario

El propietario / empresario es el responsable de asegurarse de que el usuario tiene los conocimientos necesarios para utilizar la máquina con seguridad. Los supervisores y los usuarios deben haber leído y entendido el manual de instrucciones. Deben tener conocimiento de lo siguiente:

- Las instrucciones de seguridad de la máquina.
- Las aplicaciones y las limitaciones de la máquina.
- El modo de uso y de mantenimiento de la máquina.

La utilización de esta máquina podría estar restringida por regulaciones locales. Infórmese sobre las regulaciones vigentes en el lugar donde trabaja antes de empezar a utilizar la máquina.

Los derechos que se reserva el fabricante.

Tras la publicación de este manual, Husqvarna podría publicar información adicional para el funcionamiento seguro de este producto. Es responsabilidad del propietario mantenerse informado de los métodos de funcionamiento más seguros.

Husqvarna AB trabaja constantemente para perfeccionar sus productos y se reserva, por lo tanto, el derecho a introducir modificaciones en la construcción y el diseño sin previo aviso.

Para recibir información y atención como cliente, póngase en contacto con nosotros a través de nuestro sitio web: www.husqvarna.com

Diseño y funciones

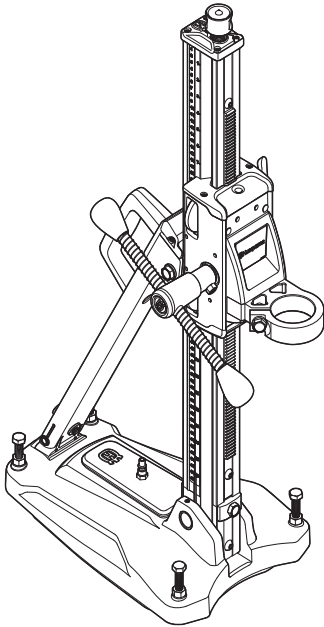
El alto rendimiento, la fiabilidad, la tecnología innovadora, las soluciones técnicas avanzadas y el respeto medioambiental son los valores que caracterizan a los productos de Husqvarna. El usuario debe leer este manual detenidamente para garantizar un funcionamiento seguro del producto. Póngase en contacto con su concesionario o con Husqvarna si necesita más información.

A continuación se describen algunas de las características únicas de su producto.

PRESENTACIÓN

Soportes de taladros

DS150

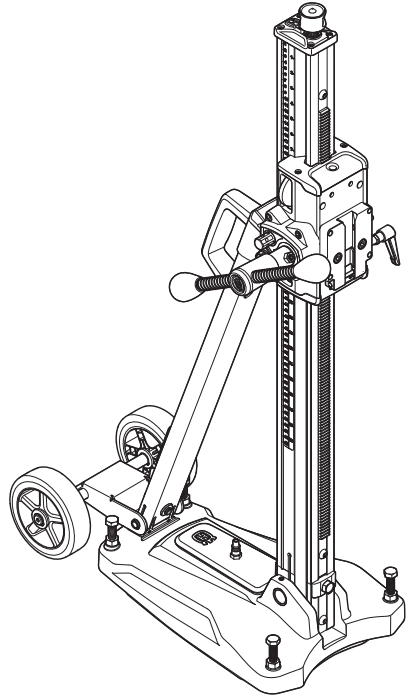


- El soporte es para taladrar techos, paredes y pisos.
- La placa base es de aluminio, por lo que es muy ligera. Tiene integrada una placa de vacío.
- La columna puede inclinarse 0-60°.
- El soporte cuenta con un collar.
- El asa del alimentador se puede utilizar para aflojar y apretar el collar, regular los pernos de ajuste de la placa base y ajustar el ángulo de la columna.

Accesorios

- Caja de engranajes
- Conjunto de eje con ruedas

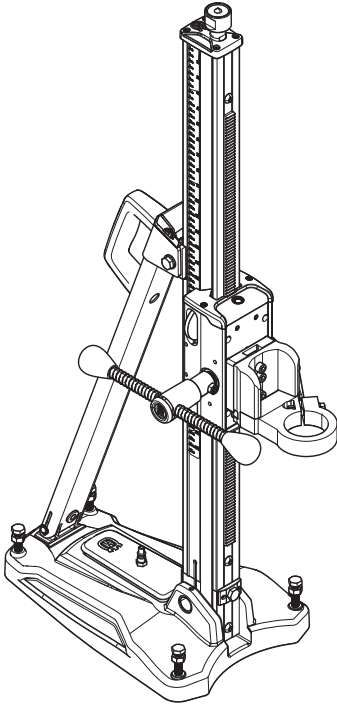
DS250



- El soporte es para taladrar techos, paredes y pisos.
- La placa base es de aluminio, por lo que es muy ligera. Tiene integrada una placa de vacío.
- La columna puede inclinarse 0-60°.
- La base del taladro está equipada con una placa de conexión rápida para el motor del taladro.
- El conjunto del eje con ruedas puede desmontarse.
- La transmisión de la caja de alimentación puede ajustarse. El valor máximo es 2,25:1 y el mínimo 1:1.
- La palanca de alimentación puede utilizarse para ajustar los tornillos reguladores de la placa de apoyo y fijar la inclinación deseada de la columna.
- Collar para adaptarse al soporte de montaje rápido

PRESENTACIÓN

DS250 Single speed

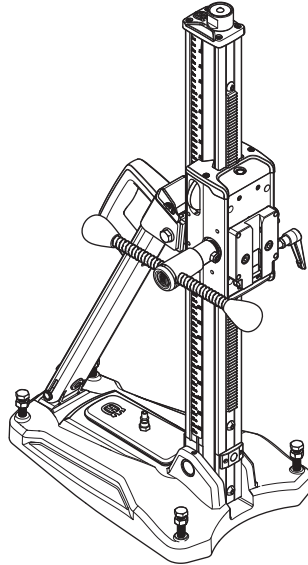


- El soporte es para taladrar techos, paredes y pisos.
- La placa base es de aluminio, por lo que es muy ligera. Tiene integrada una placa de vacío.
- La columna puede inclinarse 0-60°.
- El soporte de taladro está ajustado con un soporte de montaje rápido y un anillo.
- La palanca de alimentación puede utilizarse para ajustar los tornillos reguladores de la placa de apoyo y fijar la inclinación deseada de la columna.

Accesorios

- Conjunto de eje con ruedas

DS250 Single speed short

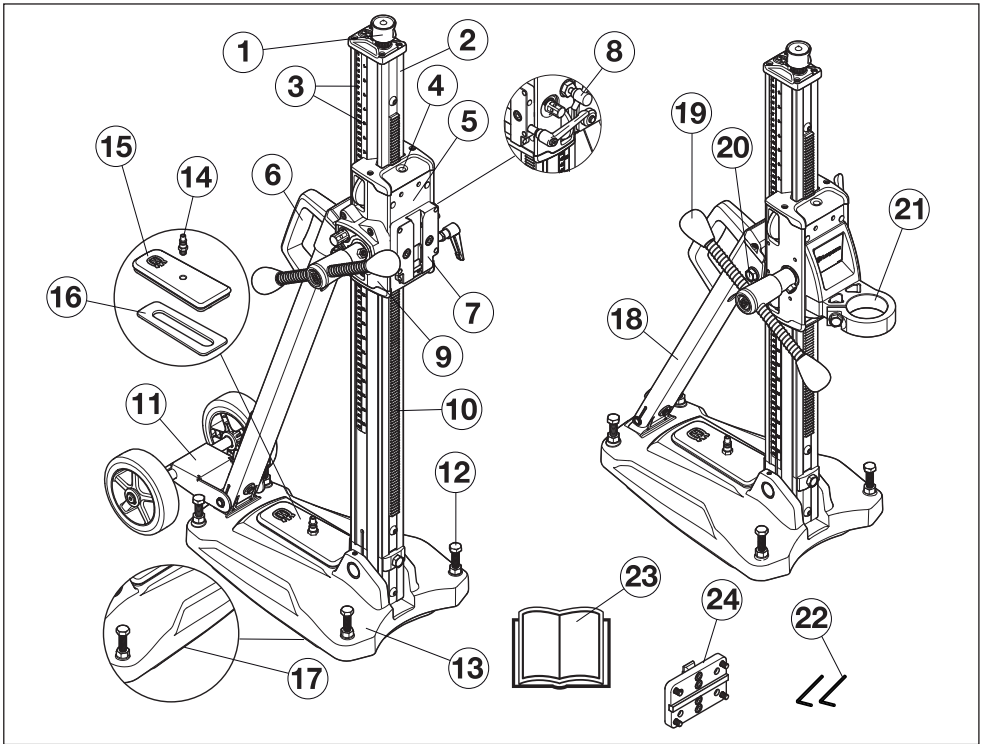


- El soporte es para taladrar techos, paredes y pisos.
- La placa base es de aluminio, por lo que es muy ligera. Tiene integrada una placa de vacío.
- La columna puede inclinarse 0-60°.
- El soporte de taladro está ajustado con un soporte de montaje rápido.
- La palanca de alimentación puede utilizarse para ajustar los tornillos reguladores de la placa de apoyo y fijar la inclinación deseada de la columna.

Accesorios

- Conjunto de eje con ruedas
- Bomba de vacío VP 200

¿QUE ES QUE?



Componentes del soporte

- | | |
|--|---|
| 1 Tornillo de compresión | 13 Placa base con función de vacío integrada |
| 2 Columna de perforación | 14 Acoplamiento rápido para presión de vacío |
| 3 Profundidad y escala de inclinación | 15 Cubierta de vacío |
| 4 Indicador de nivel vertical y horizontal | 16 Junta, cubierta de vacío |
| 5 Caja de alimentación | 17 Junta, succión de vacío |
| 6 Mango de transporte | 18 Soporte en ángulo |
| 7 Abrazadera de bloqueo (montaje rápido) | 19 Palanca de alimentación |
| 8 Bloqueo de la caja de alimentación | 20 Tornillo de fijación, columna de perforación inclinada |
| 9 Caja de engranajes | 21 Collar |
| 10 Cremallera | 22 Llave Allen (3 mm, 4 mm) |
| 11 Conjunto de eje con ruedas (extraíble) | 23 Manual de instrucciones |
| 12 Tornillos de ajuste | 24 Placa de montaje |

Generalidades



¡ATENCIÓN! Nunca utilice una máquina que tenga un equipo de seguridad defectuoso. Efectúe el control y mantenimiento del equipo de seguridad de la máquina como se describió en este capítulo. Si su máquina no pasa todos los controles, entréguela a un taller de servicio para su reparación.

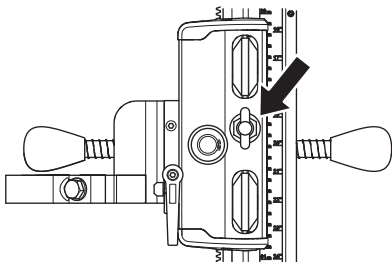
En este capítulo se describen los componentes de seguridad de la máquina, su función y el modo de efectuar el control y el mantenimiento para garantizar un funcionamiento óptimo.

Bloqueo de la caja de alimentación

El bloqueo del carro se utiliza al sustituir la broca y montar el motor de la perforadora. El bloqueo está formado por una manija que fija el carro de la columna de perforación.

Inspección del bloqueo del carro

- Gire la manija para bloquearla.



- Compruebe manualmente que el carro esté fijado a la columna de perforación.

Pasos previos al uso de un soporte nuevo

- Lea detenidamente el manual de instrucciones y asegúrese de entender su contenido antes de utilizar la máquina.
- Esta máquina está diseñada para y destinada a la perforación de hormigón, ladrillo y diferentes materiales pedregosos. Cualquier otra aplicación es errónea.
- La máquina está destinada al uso por operadores experimentados, en aplicaciones industriales.
- Mantener bien ordenado el lugar de trabajo. El desorden comporta riesgo de accidentes.
- Lea también el manual de instrucciones entregado junto con el motor de la perforadora y verifique que es compatible con este soporte.

Emplee siempre el sentido común

Es imposible abarcar todas las situaciones imaginables que se pueden producir al utilizar una taladradora. Proceder siempre con cuidado y emplear el sentido común. El usuario debe evitar usar la máquina en aplicaciones para las que no se considere suficientemente calificado. Si después de leer estas instrucciones todavía hay inseguridad en cuanto al procedimiento de uso, consultar con un experto antes de proseguir.

No dude en ponerse en contacto con su distribuidor si tiene preguntas acerca del uso de la máquina. Estaremos encantados de poder aconsejarle y ayudarle a utilizar la máquina de manera eficaz y segura.

Encargue al distribuidor de Husqvarna la revisión regular de la cortadora y los ajustes y reparaciones necesarios.

Toda la información y todos los datos contenidos en este manual de instrucciones son vigentes en la fecha de impresión del manual.



¡ATENCIÓN! No está permitido modificar el diseño original de la máquina, por ningún motivo, sin la autorización del fabricante. Utilice siempre accesorios originales. Las modificaciones y/o el uso de accesorios no autorizados comportan riesgo de daños personales graves y peligro de muerte para el usuario y otras personas.

Equipo de protección

Generalidades

No use nunca una máquina si no tiene posibilidad de pedir auxilio si se produce un accidente.

Equipo de protección personal

Para trabajar con la máquina debe utilizarse un equipo de protección personal homologado. El equipo de protección personal no elimina el riesgo de lesiones, pero reduce su efecto en caso de accidente. Pida a su distribuidor que le asesore en la elección del equipo.



¡ATENCIÓN! El uso de productos que cortan, pulen, taladran, alisan o forman materiales puede generar polvo y vapores que pueden contener sustancias químicas dañinas. Averiguar la composición del material con que se trabaja y usar una máscara respiratoria adecuada.



¡ATENCIÓN! La exposición prolongada al ruido puede causar daños crónicos en el oído. Por consiguiente, use siempre protectores auriculares homologados. Cuando use protección auditiva preste siempre atención a las señales o llamados de advertencia. Sáquese siempre la protección auditiva inmediatamente después de parar el motor.



¡ATENCIÓN! Existe siempre riesgo de accidentes por apriete al trabajar con aparatos con piezas móviles. Usar guantes protectores para evitar lesiones.

Utilice siempre:

- Casco protector
- Protectores auriculares
- Gafas protectoras o visor
- Máscara respiratoria
- Guantes resistentes de agarre seguro.
- Prendas de vestir ceñidas, resistentes y cómodas que permitan una libertad de movimientos total.
- Botas con puntera de acero y suela antideslizante.
- Tenga siempre a mano el equipo de primeros auxilios.

Tener en cuenta que las ropas, el pelo largo y las joyas pueden atascarse en piezas móviles.

FUNCIONAMIENTO

Instrucciones generales de seguridad



¡ATENCIÓN! Lea todas las advertencias e instrucciones de seguridad. Si se hace caso omiso de las advertencias e instrucciones pueden provocarse accidentes graves o incluso la muerte del operario o de terceros.

Seguridad en el área de trabajo

- **Mantenga el área de trabajo limpia y bien iluminada.** Las zonas abarrotadas de cosas u oscuras favorecen los accidentes.
- Las personas y los animales pueden distraer y hacer perder el control de la máquina. Por consiguiente, el operador debe estar siempre concentrado en su trabajo.
- No trabaje en condiciones atmosféricas desfavorables como niebla, lluvia intensa, tempestad, frío intenso, etc. Trabajar con mal tiempo es cansador y puede crear condiciones peligrosas, por ejemplo suelo resbaladizo.
- Antes de comenzar a trabajar con la máquina, controle siempre que el lugar esté libre y que los pies estén bien afirmados al terreno. Controle posibles obstáculos en caso de movimientos repentinos. Asegúrese de que no haya elementos que puedan caer y provocar daños al trabajar con la máquina.
- Controlar siempre la parte posterior de la superficie en la que sale la broca al penetrar. Impedir el acceso cercando la zona de trabajo y procurar que no haya riesgo de daños personales o materiales.

Seguridad personal



¡ATENCIÓN! Existe siempre riesgo de accidentes por apriete al trabajar con aparatos con piezas móviles. Use siempre guantes protectores.

- Utilice el equipo de protección personal. Vea las instrucciones bajo el título "Equipo de protección personal".
- Nunca utilice la máquina si está cansado, si ha ingerido alcohol o si toma medicamentos que puedan afectarle la vista, su capacidad de discernimiento o el control del cuerpo.
- Nunca deje que terceros utilicen la máquina sin asegurarse primero de que hayan entendido el contenido de este manual de instrucciones.
- Tener en cuenta que las ropas, el pelo largo y las joyas pueden atascarse en piezas móviles.
- Un operador nunca debe trabajar solo; siempre debe haber otra(s) persona(s) cerca. Así, además de tener ayuda para montar la máquina, también puede recibirse asistencia en caso de accidente.

Uso y cuidado

- No utilice nunca una máquina defectuosa. Lleve a cabo las comprobaciones de seguridad y siga las instrucciones de mantenimiento y servicio de este manual. Algunas medidas de mantenimiento y servicio deben ser efectuadas por especialistas formados y cualificados. Consulte las instrucciones del apartado Mantenimiento.
- No utilice nunca una máquina que haya sido modificada de modo que ya no coincida con la configuración original.
- Mantener todas las piezas en perfecto estado y comprobar que todos los elementos de fijación estén bien apretados.

Transporte y almacenamiento

- Almacene la cortadora en lugar seguro fuera del alcance de los niños y personas no calificadas para su uso.
- Guardar la taladradora y el soporte en un lugar seco y con temperatura sobre cero.

Advertencias generales de seguridad sobre el soporte de trabajo



¡ATENCIÓN! Lea todas las advertencias e instrucciones de seguridad. No atender a estas advertencias e instrucciones puede provocar descargas eléctricas, incendios y lesiones graves.

AVISO Conserve todas las advertencias e instrucciones para su consulta.

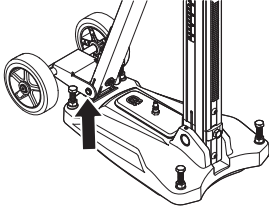
- **Desconecte el enchufe de la fuente de alimentación y / o la batería de la herramienta eléctrica antes de realizar cualquier ajuste o cambiar accesorios.** Un arranque accidental de la herramienta eléctrica puede ser causa de accidentes.
- **Monte el soporte de trabajo antes que la herramienta.** Un montaje adecuado es importante para evitar riesgos de hundimiento.
- **Fije de manera segura la herramienta eléctrica al soporte de trabajo antes de su uso.** Realice el cambio de herramienta eléctrica en el soporte con sumo cuidado.
- **Coloque el soporte en una superficie resistente, plana y nivelada.** Cuando el soporte de trabajo se mueve o balancea, la herramienta eléctrica o de trabajo no puede manejarse de manera segura y controlada.
- **No sobrecargue el soporte de trabajo ni lo utilice como escalera o andamio.** Sobrecargar o subirse al soporte de trabajo puede suponer una carga excesiva para el dispositivo y es probable que no resista el peso.

Este soporte está destinado para su uso con máquinas DM de Husqvarna. Utilice únicamente herramientas eléctricas diseñadas para este soporte.

MONTAJE

Instalación del conjunto del eje con ruedas

- Monte el conjunto de eje con ruedas en la columna de soporte.
- Monte el conjunto de eje en el soporte de la parte trasera de la placa base y apriete los tornillos.



Sujeción de la base

Hay tres maneras de sujetar la base:

- Sujetarla con la placa de vacío
- Sujetarla con un extensor o un anclaje
- Sujetarla con una varilla roscada, una arandela y una tuerca de seguridad

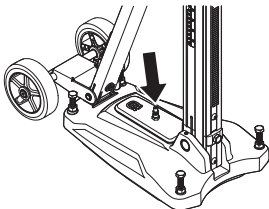
Sujetarla con la placa de vacío



¡ATENCIÓN! La placa de vacío no se debe utilizar para taladrar techos o paredes. El uso incorrecto o negligente puede ocasionar daños graves, e incluso mortales.

Si usa la placa de succión, asegúrese de que la superficie de apoyo no sea porosa y que no pueda aflojarse. Comprobar que la bomba de vacío tiene capacidad para fijar por aspiración la placa de vacío.

- Monte la junta de vacío en la placa base.
- Conecte la bomba de vacío al acoplamiento rápido para la presión de vacío de la placa base.



- Coloque la placa inferior en la posición deseada.
- Encienda la bomba de vacío. Deberá alcanzarse una presión mínima de 635 mm Hg (25 in Hg) para sellar adecuadamente la placa base sobre la superficie.

Sujetarla con un extensor o un anclaje

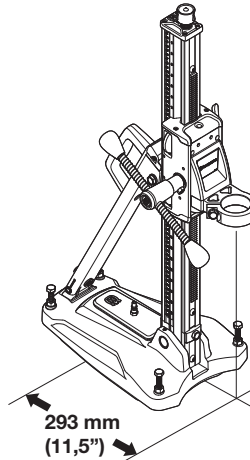


¡IMPORTANTE! Cuando taladre techos, solo deben utilizarse extensores y anclajes adecuados para superficies expuestas a fuerzas de tensión.

Utilice únicamente un extensor o anclaje adecuado para la aplicación actual.

DS150

- Realice un orificio para el extensor / anclaje a una distancia de 293 mm (11,5 in) del centro del orificio.

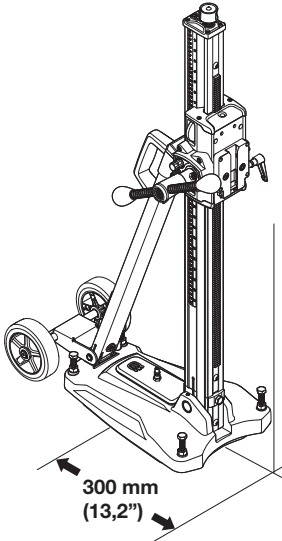


- Atornille bien la placa base. Comprobar cuidadosamente que el expansor está bien fijado.
- La placa inferior puede ajustarse a la superficie mediante los tornillos de ajuste. Utilice la palanca de alimentación.

MONTAJE

DS250, DS250 Single speed, DS250 Single speed short

- Taladre un orificio para el extensor / anclaje a una distancia de 300 mm (11,8 in) del centro del orificio. La distancia de 300 mm (11,8 in) se aplica al soporte de montaje rápido con acoplamiento rápido para DM220. Con un collar, la distancia es de 320 mm (12,6 in).



- Atornille bien la placa base. Comprobar cuidadosamente que el expansor está bien fijado.
- La placa inferior puede ajustarse a la superficie mediante los tornillos de ajuste. Utilice la palanca de alimentación.

Sujetarla con una varilla roscada, una arandela y una tuerca de seguridad

Si la superficie de montaje es inadecuada para taladrar techos o paredes, puede ajustar la placa base con una varilla roscada, que viene en la parte trasera junto con una arandela y una contratuerca.

Montaje del motor de la perforadora



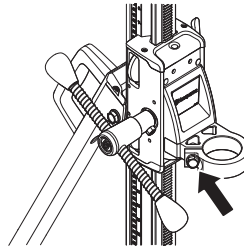
¡IMPORTANTE! Desenchufe siempre el enchufe antes de efectuar trabajos de limpieza, mantenimiento o montaje de la máquina.

- Retire siempre la broca antes de montar o desmontar el motor.
- Cierre el bloqueo de la caja de alimentación.

Montaje del collar

DS150

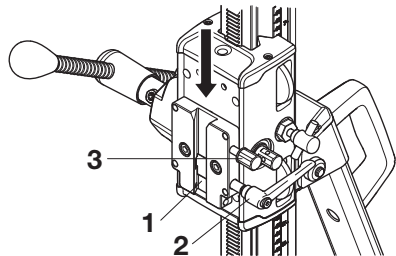
- Ajuste el eje del taladro al collar. Utilice la palanca de alimentación.



Montaje del soporte de montaje rápido

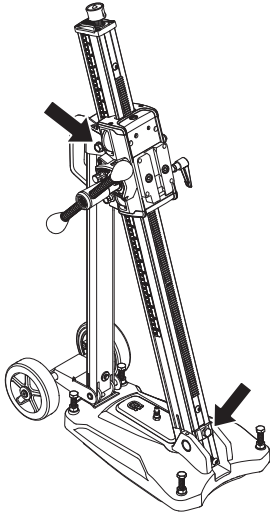
DS250, DS250 Single speed, DS250 Single speed short

- Coloque el montaje rápido del motor de la perforadora en el surco de la abrazadera de bloqueo. Asegúrese de presionar el soporte rápido hasta la parte inferior (1) del raíl en el enganche de cierre.
- Sujételo con la empuñadura de bloqueo (2).



Utilice el tornillo de seguridad superior (3) sólo con DMS 240.

Ajuste de la inclinación de la columna



Afloje los tornillos de seguridad de la inclinación de la columna y ajuste como desee el ángulo de inclinación del taladro. Apriete los tornillos de seguridad. Utilice la palanca de alimentación. La columna puede inclinarse 0-60°.

El indicador de ángulo permite un ajuste aproximado. Si necesita una mayor precisión, deberá utilizar métodos de medición alternativos.

Perforación en techos



¡ATENCIÓN! Utilizar un colector de agua para impedir que entre agua en la máquina. La máquina debe cubrirse con un plástico o similar para impedir que entre agua en ella, pero no deben taparse las bocas de entrada y salida de aire.

MANTENIMIENTO

Mantenimiento del soporte



¡ATENCIÓN! El control y/o mantenimiento de la máquina debe hacerse con el motor parado y el enchufe desenchufado.

La vida útil de la máquina se alarga considerablemente si se utiliza, cuida y mantiene correctamente.

Limpieza y lubricación



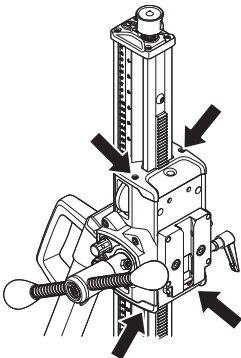
¡IMPORTANTE! Desmontar el motor de taladradora.

- Para obtener un funcionamiento óptimo es muy importante mantener el soporte limpio y en orden.
- Se recomienda limpiar el soporte con lavado a alta presión y secarlo.
- Aceitar todas las piezas móviles del soporte. Usar grasa para prevenir la corrosión de las superficies de contacto.

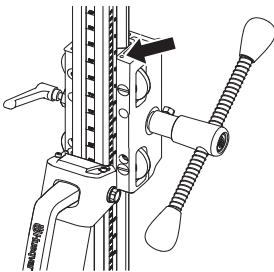
Ajuste de la caja de alimentación

Si queda un espacio entre la columna y la caja de alimentación, deberá ajustar la caja.

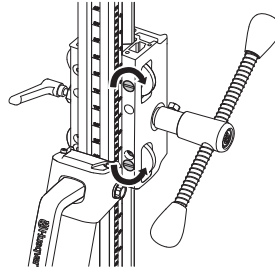
- Retire las cubiertas de transporte superior e inferior de plástico.



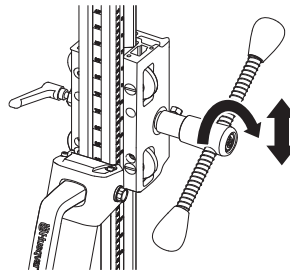
- Afloje los tornillos de ajuste que sujetan los ejes del rodillo guía.



- Comience por el rodillo guía superior. Utilice un destornillador de cabeza plana y gírelo en el sentido de las agujas del reloj para que el rodillo se aproxime a la columna.
- Apriete el tornillo de ajuste que bloquea el rodillo guía.
- Ajuste el rodillo inferior girando el destornillador en sentido contrario al de las agujas del reloj para que el rodillo se aproxime a la columna.



- Apriete el tornillo de ajuste que bloquea el rodillo guía.
- Utilice la palanca de la caja de alimentación para comprobar si esta se mueve suavemente por la columna. Si no es así, vuelva a ajustar los rodillos.



- Coloque las cubiertas de transporte superior e inferior de plástico.

Reparaciones



¡IMPORTANTE! Las reparaciones de todo tipo deben ser efectuadas por técnicos autorizados, únicamente. De este modo se evita someter a los operadores a grandes riesgos.

Mantenimiento diario

- 1 Compruebe que los tornillos y las tuercas estén apretados.
- 2 Limpie la parte exterior de la máquina.
- 3 Compruebe que el cigüeñal de la caja de alimentación se mueve sin ofrecer resistencia.
- 4 Compruebe que los engranajes se mueven fácilmente y sin hacer ruido.
- 5 Compruebe que la columna no está dañada ni gastada.
- 6 Compruebe que la caja de alimentación se mueve fácilmente y no rebota en la columna de la base.

DATOS TECNICOS

Dimensiones	DS150	DS250	DS250 Single speed	DS250 Single speed short
Altura, pulgadas/mm	862/33,9	1052/41,4	1052/41,4	862/33,9
Anchura, pulgadas/mm	266/10,5	266/10,5	266/10,5	266/10,5
Profundidad, in/mm	522/20,6	545/21,5	545/21,5	545/21,5
Peso, lb/kg	14/30,9	17/37,5	16/35,3	15/38
Carrera, pulgadas/mm	495/19,5	686/27	686/27	495/19,5
Diámetro máximo de perforación, pulgadas/mm	150/6	250/10	150/6 (collar) 250/10 (montaje rápido)	250/10
Inclinación de la columna	0-60°	0-60°	0-60°	0-60°
Carga máxima, lb/kg	110/50	110/50	110/50	110/50

DECLARACIÓN DE GARANTÍA PARA EE. UU.

POLÍTICA DE GARANTÍA

Todas las solicitudes de garantía se determinarán tras una inspección de las instalaciones correspondientes. Para toda reclamación de garantía se requerirá una autorización de devolución de productos (RGA). Póngase en contacto con el Departamento de servicio al cliente de Husqvarna llamando al 800-845-1312 para solicitar dicha autorización. El cliente deberá pagar los portes previamente y asumir cualquier gasto de mano de obra necesario para devolver o sustituir un producto para el que se ha solicitado una evaluación de garantía. Husqvarna pagará los gastos de envío de los productos reparados o nuevos aprobados.

EQUIPO

El equipo fabricado por Husqvarna está garantizado frente a defectos de fabricación para el uso normal durante un periodo de dos (2) años desde la fecha de compra por parte del cliente original. **Los fabricantes de componentes ofrecen periodos de garantía específicos. Llame al servicio técnico (800-288-5040) para obtener más información.**

Nuestras obligaciones en virtud de la presente garantía quedan expresamente limitadas a la sustitución o reparación, en Husqvarna Construction Products North America (Olathe, Kansas 66061) o en el servicio técnico que designemos, de las piezas que se consideren defectuosas tras su inspección.

Esta garantía no es aplicable a los defectos causados por daños, uso no razonable o reparaciones defectuosas no realizadas por el personal del servicio técnico autorizado por Husqvarna, o defectos causados por no haber realizado un mantenimiento razonable cuando el equipo estaba en posesión del cliente. Además, la garantía quedará anulada si el producto o cualquiera de sus componentes ha sido alterado o modificado por el cliente, así como si ha sido usado de manera inadecuada o con herramientas que no hayan sido recomendadas por el fabricante.

Excepciones: Perforadoras: 3 meses. Sierras de pared: 1 año. Cortadoras: 3 meses. DM 230: 1 año. DM 225: 3 meses. Sistemas Gyro: 1 año. Sistema CD 40: 1 año. DS 160 C: 1 año. Smart box: 1 año. CS 2515: 1 año. pp 455 E: 1 año. PP 345 E: 1 año. HP 40: 1 año.

Materiales fungibles: Filtros, bujías, cojinetes*, correas, ruedas** y almohadillas de desgaste.

*Excepto en el sistema IntelliSeal™. **Excepto en el deslaminado.

DECLARACIÓN DE GARANTÍA PARA EE. UU.

US - Original instructions, CA - Instructions d'origine, ES - Instrucciones originales
1156697-49



2014-02-24