

**Operator's manual**  
**Manuel d'utilisation**  
**Manual de instrucciones**

**DSS200**

Please read the operator's manual carefully and make sure you understand the instructions before using the machine.

Lire attentivement et bien assimiler le manuel d'utilisation avant d'utiliser la machine.

Lea detenidamente el manual de instrucciones y asegúrese de entender su contenido antes de utilizar la máquina



**US CA ES**

# KEY TO SYMBOLS

## Symbols on the machine:

**WARNING!** The machine can be a dangerous tool if used incorrectly or carelessly, which can cause serious or fatal injury to the operator or others.

Please read the operator's manual carefully and make sure you understand the instructions before using the machine.

Wear personal protective equipment. See instructions under the heading "Personal protective equipment".

**WARNING!** Risk of crush injuries! There is always a risk of crush injuries when working with products containing moving parts.

**WARNING!** Hot surface.

**WARNING!** Watch out for demolition material becoming loose when cutting. Use personal safety equipment and keep your distance.

This product is in accordance with applicable CE directives.

**Environmental marking.** Symbols on the product or its packaging indicate that this product cannot be handled as domestic waste. It must instead be submitted to an appropriate recycling station for the recovery of electrical and electronic equipment.

By ensuring that this product is taken care of correctly, you can help to counteract the potential negative impact on the environment and people that can otherwise result through the incorrect waste management of this product.

For more detailed information about recycling this product, contact your municipality, your domestic waste service or the shop from where you purchased the product.

**Other symbols/decals on the machine refer to special certification requirements for certain markets.**



## Explanation of warning levels

The warnings are graded in three levels.

### WARNING!



**WARNING!** Used if there is a risk of serious injury or death for the operator or damage to the surroundings if the instructions in the manual are not followed.

### CAUTION!



**CAUTION!** Used if there is a risk of injury to the operator or damage to the surroundings if the instructions in the manual are not followed.

### NOTICE!

**NOTICE!** Used if there is a risk of damage to materials or the machine if the instructions in the manual are not followed.

# CONTENTS

## Contents

### KEY TO SYMBOLS

Symbols on the machine: .....	2
Explanation of warning levels .....	2

### CONTENTS

Contents .....	3
Note the following before starting: .....	3

### PRESENTATION

Dear customer! .....	4
Design and features .....	4
DSS200 .....	4
Applications .....	4

### PRESENTATION

What is what on the tool? .....	5
---------------------------------	---

### ASSEMBLING AND ADJUSTMENTS

General .....	6
Mount tool on machine .....	6
Connect the hydraulic hoses .....	6
Disconnect the hydraulic hoses .....	6

### OPERATING

Protective equipment .....	7
General safety precautions .....	8
Work safety .....	9
Basic working techniques .....	10

### MAINTENANCE

General .....	11
Maintenance schedule .....	11
Cleaning .....	11
General inspection .....	11
Cutters .....	11
Lubrication .....	12
Long-term storage .....	12
Worn product .....	12
Troubleshooting schedule .....	13

### TECHNICAL DATA

Technical data .....	14
----------------------	----

### US WARRANTY STATEMENT

WARRANTY POLICY .....	15
EQUIPMENT .....	15

## Note the following before starting:



**WARNING!** Cutting, especially when DRY cutting, generates dust that comes from the material being cut, which frequently contains silica. Silica is a basic component of sand, quartz, brick clay, granite and numerous other minerals and rocks. Exposure to excessive amount of such dust can cause:

Respiratory disease (affecting your ability to breath), including chronic bronchitis, silicosis and pulmonary fibrosis from exposure to silica. These diseases may be fatal;

Skin irritation and rash.

Cancer according to NTP\* and IARC\* \*/ National Toxicology Program, International Agency for Research on Cancer

Take precautionary steps:

Avoid inhalation of and skin contact with dust, mist and fumes.

Wear and ensure that all bystanders wear appropriate respiratory protection such as dust masks designed to filter out microscopic particles. (See OSHA 29 CFR Part 1910.1200)

Wet cut when feasible, to minimize dust.

# PRESENTATION

## Dear customer!

Thank you for choosing a Husqvarna product!

It is our wish that you will be satisfied with your product and that it will be your companion for a long time. A purchase of one of our products gives you access to professional help with repairs and services. If the retailer who sells your machine is not one of our authorised dealers, ask him for the address of your nearest service workshop.

This operator's manual is a valuable document. Make sure it is always at hand at the work place. By following its content (using, service, maintenance etc.) the life span and the second-hand value of the machine can be extended. If you ever lend or sell this machine, make sure that the borrower or buyer gets the operator's manual, so they will also know how to properly maintain and use it.

## More than 300 years of innovation

Husqvarna AB is a Swedish company based on a tradition that dates back to 1689, when the Swedish King Charles XI ordered the construction of a factory for production of muskets. At that time, the foundation was already laid for the engineering skills behind the development of some of the world's leading products in areas such as hunting weapons, bicycles, motorcycles, domestic appliances, sewing machines and outdoor products.

Husqvarna is the global leader in outdoor power products for forestry, park maintenance and lawn and garden care, as well as cutting equipment and diamond tools for the construction and stone industries.

## Owner responsibility

It is the owner's/employer's responsibility that the operator has sufficient knowledge about how to use the machine safely. Supervisors and operators must have read and understood the Operator's Manual. They must be aware of:

- The machine's safety instructions.
- The machine's range of applications and limitations.
- How the machine is to be used and maintained.

Local regulations could restrict the use of this machine. Find out what regulations are applicable where you work before you start using the machine.

## The manufacturer's reservation

Subsequent to publishing this manual Husqvarna may issue additional information for safe operation of this product. It is the owner's obligation to keep up with the safest methods of operation.

Husqvarna AB has a policy of continuous product development and therefore reserves the right to modify the design and appearance of products without prior notice.

For customer information and assistance, contact us at our website: [www.husqvarna.com](http://www.husqvarna.com)

## Design and features

Values such as high performance, reliability, innovative technology, advanced technical solutions and environmental considerations distinguish Husqvarna's products. Safe operation of this product requires the operator to read this manual carefully. Ask your dealer or Husqvarna should you need more information.

Some of the unique features of your product are described below.

## DSS200

- Custom design that allows easy access even in confined spaces.
- Blade to enable cutting pipes and profiles close to walls or behind other materials.
- The design of the blade makes it possible to cut wooden structures but also copper pipes.
- Exchangeable blade for cutting metal. (Not hardened steel). If one of the blades becomes worn, it can be replaced separately.
- The jaws can cut material with a thickness of 0 inch/mm to 7,9 / 200 inch/mm.
- Hydraulic rotation 360°

## Applications



**WARNING! It is prohibited to use the tool for lifting, pushing, pulling, hammering or carrying any kind of material.**

The tool is intended to be mounted on a machine for carrying out demolition by cutting metal structures.

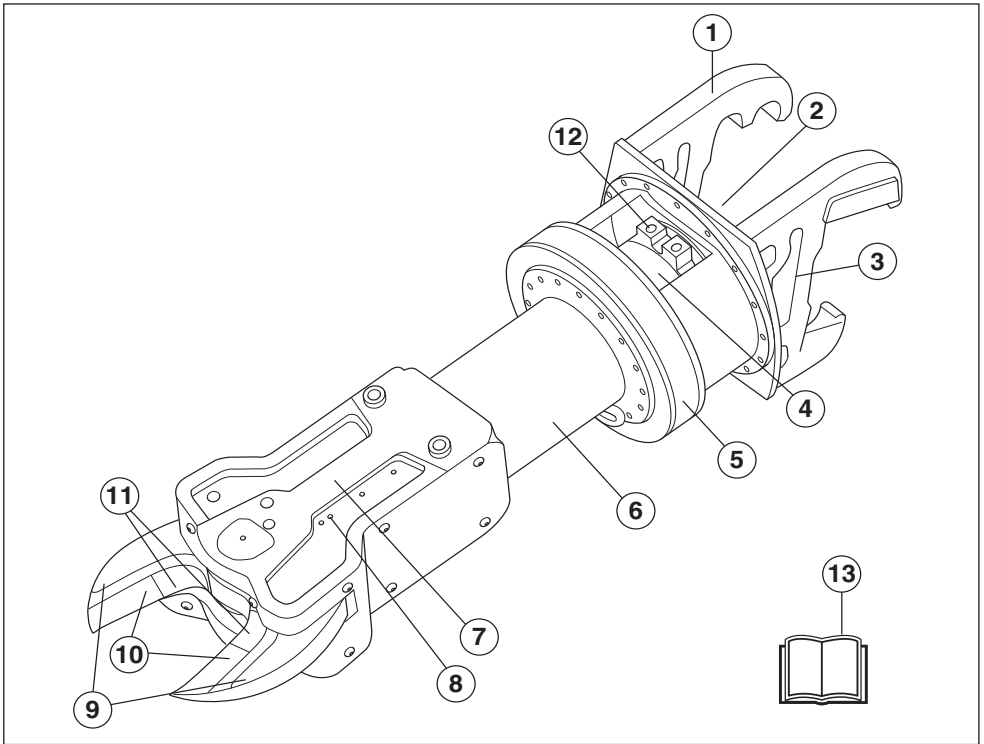
The tool is only to be used together with the machines listed below.

	DSS200
DXR310	X
DXR300	X
DXR270	X
DXR250	X
DXR140*	X

\*Separate adapter plate or adapter sleeves required.

The machine is intended for use in industrial applications by experienced operators.

# PRESENTATION



## What is what on the tool?

- |   |                                    |
|---|------------------------------------|
| 1 Tool attachment                           | 8 Lubricating point                |
| 2 Hydraulic connection for cutting function | 9 Shear jaws                       |
| 3 Lifting point                             | 10 Shear, outer                    |
| 4 Rotor                                     | 11 Shear, inner                    |
| 5 Bearings                                  | 12 Hydraulic connections for rotor |
| 6 Cylinder                                  | 13 Operator's manual               |
| 7 Shear house                               |                                    |

# ASSEMBLING AND ADJUSTMENTS

## General



**WARNING!** Ensure that the tool is correctly and securely fitted. If a tool unexpectedly comes loose it can cause personal injury.

Ensure that the tool's and the machine's performance (weight, hydraulic pressure, flow etc) are compatible.

Prevent dirt from entering the hydraulic system by:

- Wiping dirt off the couplings before assembling or dismantling.
- Placing dust guards on the machine's hydraulic couplings when no tool is mounted.
- Ensuring that the tool's hoses are always connected together when the tool is not connected to the machine.

## Mount tool on machine

- See the operator's manual for the demolition machine for instructions.

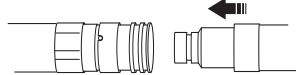
## Connect the hydraulic hoses



**CAUTION!** Pipe and hose couplings can remain pressurized despite the motor being switched off and the power cable disconnected. It must always be assumed that hydraulic hoses are pressurized and they must be opened with great care. Relieve the pressure on the arm system by resting it on the ground and turn off the electric motor before undoing the hoses. Take great care when undoing connections and use appropriate personal protective equipment.

The hydraulic hoses are equipped with quick couplings with decompression. This facilitates fitting the hoses even though pressure is trapped.

- Connect the male connection on the tool to the female connection on the machine. The nut should snap when properly mounted. The couplings are locked by turning the outer sleeve on the female coupling so that the slot moves away from the ball.



- Connect the female connection on the tool to the male connection on the machine.
- Start the motor.
- Open and close steel shears 5-6 times.
- Turn off the motor. Turn the main switch to the "0"-position.
- Check for leaks.

## Disconnect the hydraulic hoses

- Open the jaws to the maximum to retract the hydraulic cylinders completely.
- Turn off the motor.
- Rotate the outer sleeve so that the slot coincides with the ball and push towards the ball to disconnect the connection.
- Remove the tool from the machine. See the operator's manual for the demolition machine for instructions.

# OPERATING

## Protective equipment

### General

- Do not use the machine unless you are able to call for help in the event of an accident.

### Personal protective equipment

You must use approved personal protective equipment whenever you use the machine. Personal protective equipment cannot eliminate the risk of injury but it will reduce the degree of injury if an accident does happen. Ask your dealer for help in choosing the right equipment.



**WARNING!** When in use, the machine can generate dust and fumes that can contain harmful chemicals. Know the nature of the material being worked on and wear appropriate dust mask or respirator protection. A face mask is especially important when working indoors due to the limited ventilation. In some situations it can also be suitable to apply water in order to decrease the dust.

Long-term exposure to noise can result in permanent hearing impairment. So always use approved hearing protection. Listen out for warning signals or shouts when you are wearing hearing protection. Always remove your hearing protection as soon as the engine stops.

Chemicals such as degreasing agent, grease and hydraulic fluid can give rise to allergies in conjunction with repeated skin contact. Avoid contact with the skin, use protective equipment.

When in use, the machine can generate dust and fumes that can contain harmful chemicals. Know the nature of the material being worked on and wear appropriate dust mask or respirator protection.

A face mask is especially important when working indoors due to the limited ventilation. In some situations it can also be suitable to apply water in order to decrease the dust.

Always wear:

- Approved protective helmet
- Hearing protection
- Approved eye protection. If you use a face shield then you must also wear approved protective goggles. Approved protective goggles must comply with standard ANSI Z87.1 in the USA or EN 166 in EU countries. Visors must comply with standard EN 1731.
- Breathing mask
- Heavy-duty, firm grip gloves.
- Tight-fitting, heavy-duty and comfortable clothing that permits full freedom of movement.
- Boots with steel toe-caps and non-slip sole

Be careful as clothing, long hair, and jewellery can get caught in moving parts.

## Other protective equipment



**CAUTION!** Sparks may appear and start a fire when you work with the machine. Always keep fire fighting equipment handy.

- Fire Extinguisher
- Always have a first aid kit nearby.
- Use an approved lifting device to secure and lift heavy machine parts.

# OPERATING

## General safety precautions



**WARNING!** Read all safety warnings and all instructions. Failure to follow the warnings and instructions may result in fire and/or serious injury.

**Make sure no unauthorised persons are in the working area, otherwise there is a risk of serious personal injury.**

This section describes basic safety directions for using the machine. This information is never a substitute for professional skills and experience. Cordon off the work area.

- Please read the operator's manual carefully and make sure you understand the instructions before using the machine. **Save all warnings and instructions for future reference.**
- This machine is used in combination with other products. Please read the manual provided with the products carefully and make sure you understand the instructions before using the machine.
- Keep in mind that it is you, the operator that is responsible for not exposing people or their property to accidents or hazards.
- All operators shall be trained in the use of the machine. The owner is responsible for ensuring that the operators receive training.
- The machine must be kept clean. Signs and stickers must be fully legible. Replace all worn or damaged decals.



**WARNING!** The machine can be a dangerous tool if used incorrectly or carelessly, which can cause serious or fatal injury to the operator or others.

**Never allow children or other persons not trained in the use of the machine to use or service it. Never allow anyone else to use the machine without first ensuring that they have read and understood the contents of the operator's manual.**

**Never use the machine if you are fatigued, while under the influence of alcohol or drugs, medication or anything that could affect your vision, alertness, coordination or judgement.**



**WARNING!** Unauthorized modifications and/or accessories may lead to serious injury or death to the user or others.

**Do not modify this product or use it if it appears to have been modified by others.**

**Never use a machine that is faulty. Carry out the safety checks, maintenance and service instructions described in this manual. Some maintenance and service measures must be carried out by trained and qualified specialists. See instructions under the heading Maintenance.**

**Always use genuine accessories.**

## Always use common sense

It is not possible to cover every conceivable situation you can face. Always exercise care and use your common sense. If you get into a situation where you feel unsafe, stop and seek expert advice. Contact your dealer, service agent or an experienced user. Do not attempt any task that you feel unsure of!



---

# OPERATING

---

## Work safety

### Work area safety

#### The machine's risk area

Nobody is permitted to be within the machine's risk area when work is underway. This also applies for the operator.

The working area is limited by the machine's reach, however, the risk area varies depending on working method, work object, surface etc. Study possible risks before starting work. If conditions change during the course of the work, the risk area must be redefined.

#### Workplace

- Define and cordon off the risk area. Nobody is permitted to be within the machine's risk area when work is underway.
- Ensure that the working area is sufficiently illuminated to create a safe working environment.
- The machine can be remote controlled over long distances. Do not operate the machine unless you have clear supervision of the machine and its risk area.
- Never start working with the machine until the working area has been cleared of obstacles.
- Be on the alert when working in environments where there is a substantial risk of slipping due to unevenness, loose material, oil, ice or suchlike.
- Inspect ground conditions, load-bearing structures etc. to prevent materials, machines and staff falling and deal with any risks there might be before starting work.
- When working at a height, for instance on roofs, platforms and the like, increase the size of the risk area. Define and cordon off the risk area at ground level and ensure that no material can fall down and cause injury.
- Do not use the machine in environments where there is a risk of explosion. Take the risk of spark formation into account when working in flammable environments.
- Always check and mark where electricity cables and pipelines are routed.
- The air in confined spaces can rapidly become harmful to health due to, for example, dust and gases. Use protective equipment and ensure that there is satisfactory ventilation.

### Personal safety

- Never use the machine if you are tired, if you have drunk alcohol, or if you are taking medication that could affect your vision, your judgement or your co-ordination.
- Wear personal protective equipment. See instructions under the heading "Personal protective equipment".
- An incorrect maneuver or unforeseeable incident can result in collapse. Never stand underneath the work object.

- Never stand where there is a risk of being crushed. The machine can rapidly change position. Never stand underneath a raised arm, even if the machine is turned off.
- Reduce the risk when working alone by making sure that an emergency alarm is available via mobile phone or other equipment.
- People and animals can distract you causing you to lose control of the machine. For this reason, always remain concentrated and focused on the task. Never allow children to operate the machine.
- Always work in a manner that permits easy access to the emergency stop.

### Hydraulic safety

- Risk of burn. The hydraulic oil, the hoses and the connections can reach very high temperatures with or without the tool connected. Use appropriate personal protective equipment.
- Before performing operations on the hydraulic system, wait until the machine has cooled down.
- Check that all couplings, connections and hydraulic hoses are in full working order.
- Keep the hydraulic hoses and couplings free from dirt.
- Do not misuse hoses.
- Do not use hoses that are distorted, worn or damaged.
- Check that none of the hoses are rubbing against sharp edges. Be alert to the risk of abrasive jets.
- Adjust the length of hydraulic hoses so that they are never entirely stretched.
- Ensure that the hose is not twisted during mounting.
- Avoid severe bends in the hose.
- Check that the hoses are connected correctly to the machine and that the hydraulic couplings lock as intended before pressurising the hydraulic system. The couplings are locked by turning the outer sleeve on the female coupling so that the slot moves away from the ball.  
The pressure hoses in the system must always be connected to the tool's intake. The return hoses in the system must always go to the tool's outlet. Confusing the connections can cause the tool to work in reverse, which can result in personal injury.
- Check for leakage at the hose connectors, couplings and cylinders. A rupture or leak can cause a "hydraulic oil injection" in the body or result in other serious physical injury.
- Do not check for leakage with your hands. Contact with the leak can result in serious personal injury caused by the high pressure in the hydraulic system.
- Do not exceed the specified hydraulic oil flow or pressure for the tool being used. Excessive pressure or flow can result in rupturing.

# OPERATING

## Use with the tool mounted on the machine

- Make sure all safety devices are in place and in good condition, replace if damage.
- Define and cordon off the risk area. Nobody is permitted to be within the machine's risk area when work is underway. The machine's risk area can vary during the course of the work. This also applies for the operator.
- Never leave the machine unsupervised with the motor running.
- Always switch off the machine before you move it.
- Always unplug the machine during longer work breaks.
- Check that all couplings, connections and cables are intact and free from dirt. If an emergency situation should arise anyway, push the red emergency stop button.
- Keep all parts in good working order and ensure that all fixtures are properly tightened.
- The user must only carry out the maintenance and service work described in this manual. More extensive work must be carried out by an authorized service workshop.
- Use personal protective equipment as well as equipment to mechanically secure machine components during maintenance and service.
- If service operations or trouble shooting does not require the machine to be switched on, the power cable must be removed and positioned so that it cannot be connected by mistake.
- Pipe and hose couplings can remain pressurized despite the motor being switched off. Always work on the assumption that the hoses are under pressure when dismantling. Take great care when undoing connections and use appropriate personal protective equipment.
- Use an approved lifting device to secure and lift heavy machine parts.
- Several components heat up during use of the machine. Do not commence any servicing or maintenance tasks until the machine has cooled.
- When work is finished, operate the arm to rest against the ground before turning off the machine.

## Basic working techniques



**WARNING!** It is prohibited to use the tool for lifting, pushing, pulling, hammering or carrying any kind of material.

**Never lean on the shearer to lift and/or move the operating machine.**



**CAUTION!** Cut with the tips will twist the blades and shorten their life.

**Cutting steel wire, hardened steel and thin steel plate can damage the steel shear blades and blade bearing.**

## Transport and storage

### Lifting the tool

- When lifting the tool there is a risk of injuring persons or damaging the machine or the surroundings. Define the risk area and check that nobody is present within the area when lifting.
- Use an approved lifting device to secure and lift heavy machine parts.
- The lifting equipment must be attached at all the machine's lifting points.

### Securing the load

- Fix the tool on a pallet and handle with a forklift.
- Secure the equipment during transportation in order to avoid transport damage and accidents.

### Transport

- For transport of short distances the tool can be transported at low speed while mounted on the machine. Retract the arm system. The center of gravity must be as close to the machine's center as possible.
- When loading or unloading using a ramp the tool must be removed from the machine.

### Storage

- Remove the tool from the machine.
- Store the tools safely and inaccessible to unauthorised people. Ensure that they are in a stable position and cannot tip over. If tools are placed high up or on a slope they must be secured so that they cannot be put into motion or fall. Protect the tools' hydraulic couplings against dirt and damage.
- Store the equipment in a lockable area so that it is out of reach of children and unauthorized persons.
- Store the machine and its equipment in a dry and frost proof place.

# MAINTENANCE

## General



**WARNING!** The user must only carry out the maintenance and service work described in this manual. More extensive work must be carried out by an authorized service workshop.

All operations described in this section must be performed with the tool dismantled from the machine and positioned on the ground.

Use personal protective equipment as well as equipment to mechanically secure machine components during maintenance and service.

The life span of the machine can be reduced and the risk of accidents can increase if machine maintenance is not carried out correctly and if service and/or repairs are not carried out professionally. If you need further information please contact your nearest servicing dealer.

- Let your Husqvarna dealer regularly check the machine and make essential adjustments and repairs.

## Maintenance schedule

In the maintenance schedule you can see which parts of your machine that require maintenance, and with which intervals it should take place. The intervals are calculated based on daily use of the machine, and may differ depending on the rate of usage.

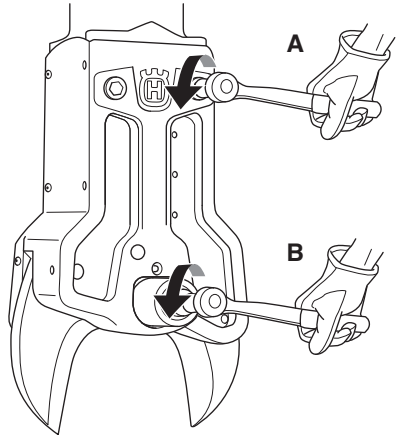
Daily maintenance
Cleaning
General inspection
Cutters
Lubrication

## Cleaning

- Clean with a rag or brush.
- The tool can be cleaned more thoroughly by washing it with water and detergent.

## General inspection

- Check the tool for damage and wear.
- Check that all couplings, connections and hydraulic hoses are in full working order. Replace if necessary.
- Make sure that the bolts are not loose. Tighten the bolts with a torque wrench if necessary.

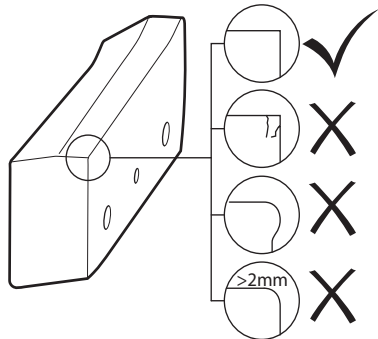


	Torque, Nm	Spanner size, inch / mm	Quantity
A	380	17	2
B	140	55	1

## Cutters

Always use genuine parts.

- Check the cutters. The blades should be changed when more than 2 mm of the radius is cracked.



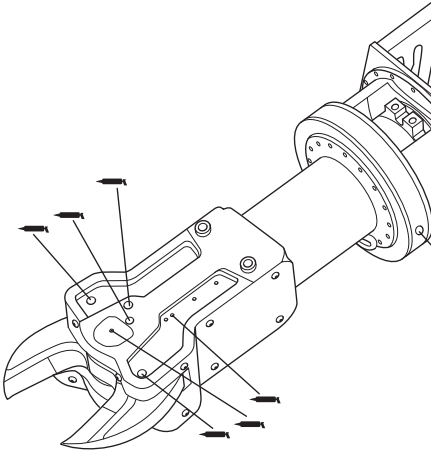
**NOTICE!** Damaged shearers can cause damage to the tool. Never use cutters that are cracked or damaged.

Inspect the wear on the cylinder head wear plate when changing blade and change of necessary.

## Lubrication

The image shows all the lubrication points. Clean the nipple. Replace broken or blocked nipples.

Use lubricating grease as per the table in the "Technical data" section.



## Long-term storage

Ensure the tool is cleaned and that a complete service is carried out before long-term storage.

## Worn product

This tool has the prerequisites to last for many years. This minimizes the machine's environmental impact. Perform service and maintenance according to the instructions in this manual. This will help to make the tool last longer.

When the tool is worn out it should be disposed of for recycling or scrapping.

Follow local regulations for disposal and recycling.

# MAINTENANCE

## Troubleshooting schedule



**WARNING! Most accidents involving machines occur during trouble shooting, service and maintenance as staff have to locate themselves within the machine's risk area. Prevent accidents by being alert and by planning and preparing the work.**

**If service operations or trouble shooting does not require the machine to be switched on, the power cable must be removed and positioned so that it cannot be connected by mistake.**

Problem	Cause	Possible action
Reduced performance	Insufficient hydraulic flow and/or hydraulic pressure.	Make sure that all hydraulic hoses and connections are intact and correctly connected.
		Fault in the hydraulic system.*
Vibrations	Screws and bolts loose or missing.	Check tightening torque of the screws or bolts. Replace missing screws.*
The steel sheers do not open/close.	Hydraulic flow and/or hydraulic pressure missing.	Fault in the hydraulic system.*
The maneuvering of the steel shears is reversed	Reverse delivery and return hose.	Connect inlet hose to the tool's intake and the return hose to the tool's outlet.
Oil leak	Loose connections.	Tighten the connections.*
	Damaged hoses or couplings.*	Replace damaged hoses or couplings.*

\*Conducted by authorised service workshop.

# TECHNICAL DATA

## Technical data

	DSS200
<b>Hydraulic System</b>	
Operating pressure maximum, PSI/bar	3626/250
Oil flow maximum, g/min / l/min	19,8 / 75
<b>Dimensions</b>	
Weight, lb/kg	408 / 185
Length, inch/mm	40,2 / 1019
Length (with mounting plate), inch/mm	47,8 / 1212
Width, inches/mm	13 / 330
Height, inch/mm	17,1 / 423
Max. distance between tips, inch/mm	7,9 / 200
Rotation angle	Hydraulic rotation 360°

## Lubricant

	Quality	Standard
All lubrication points	NLGI 2	ASTM D217
	ISO-L-XCCEB 2	ISO 6743-9
	KPF2N-25	DIN 51502

## Performance

Jaws depth, inch/mm	6,3 / 158
Closing time (oil flow 65 l/min), s	2,0
Opening time (oil flow 65 l/min), s	1,5
Max. force on inner part of blade, t/kN	85,7 / 841
Max. force on center part of blade, t/kN	50 / 490

## Max. shear dimensions (235 MPa / 34 ksi Steel)

A	Beams/profiles, inches/mm	IPE 120 (4,7x2,5 / 120x64)
B	Square iron, inches/mm	1,18x1,18 / 30x30
C	Pipe, inches/mm	2,95x0,20 / 75x5
D	Reinforcing bar*, inches/mm	1/25
E	Square pipe, inches/mm	2,4x2,4x0,2/60x60x5
F	U-beam, inches/mm	UPE 100 (2,2x3,9 / 55x100)

\*Max kvalité: 75 ksi / 500 MPa



---

# US WARRANTY STATEMENT

---

## WARRANTY POLICY

All warranty claims will be determined after inspection at a designated facility. A Returned Goods Authorization is required for all warranty claims. Contact Husqvarna Customer Service Department at 800-845-1312 for an RGA. The customer must prepay the freight and absorb any labor expense required to return or replace a product submitted for warranty consideration. Husqvarna will pay return shipping expenses for repaired or approved replacement products.

## EQUIPMENT

Equipment manufactured by Husqvarna is warranted to be free from manufacturing defects in normal service for a period of two (2) years from date of purchase by the original consumer purchaser. **Component manufacturers offer separate warranty periods. Call Technical Services at 800-288-5040 for complete information.**

Our obligation under this warranty is expressly limited to the replacement or repair at Husqvarna Construction Products North America, Olathe, Kansas 66061, or at a service facility designated by us, of such part or parts as inspection shall disclose to have been defective.

This warranty does not apply to defects caused by damage, unreasonable use, faulty repairs made by others than an approved Husqvarna servicing dealer, or defects caused by failure to provide reasonable maintenance, while in the possession of the consumer. Further, the warranty is void if the product, or any of its components, are altered or modified by the consumer purchaser, or if the product is used in an inappropriate manner or with tools not recommended by the manufacturer.

**Exceptions:** Drill motors - 3 months, Wall saws - 1 year, Power cutters - 3 months, DM230 - 1 year, DM225 - 3 months, Gyro systems - 1 year, CD40 system - 1 year, DS160 C - 1 year, Smart box - 1 year, CS2515 - 1 year, PP455 E - 1 year, PP345 E - 1 year, HP40 - 1 year.

**Wear items:** Filters, spark plugs, bearings\*, belts, wheels\*\* and wear pads.

\*Except IntelliSeal™ system. \*\*Except delamination.

# EXPLICATION DES SYMBOLES

## Symboles sur la machine:

AVERTISSEMENT! La machine utilisée de manière imprudente ou inadéquate peut devenir un outil dangereux, pouvant causer des blessures graves voire mortelles à l'utilisateur et aux autres personnes présentes.



Lire attentivement et bien assimiler le manuel d'utilisation avant d'utiliser la machine.



Utiliser les équipements de protection personnelle. Voir au chapitre "Équipement de protection personnelle".



AVERTISSEMENT! Risque de blessures par écrasement ! Le risque de coincement est toujours présent lors de travail avec des produits comportant des éléments mobiles.



AVERTISSEMENT! Surface chaude.



AVERTISSEMENT! Prenez garde aux matériaux de démolition qui se détachent lors de la découpe. Utilisez un équipement de protection individuelle et restez à distance.



**Marquage environnemental.** Ce symbole figurant sur le produit ou sur son emballage indique que ce produit ne peut pas être traité comme déchet ménager. Il doit être collecté et amené à une installation de récupération appropriée de déchets d'équipements électriques et électroniques.



En veillant à ce que ce produit soit correctement éliminé, vous pouvez contribuer à prévenir les conséquences négatives potentielles sur l'environnement et les hommes, qui pourraient sinon être le résultat d'un traitement incorrect des déchets de ce produit.

Pour des informations plus détaillées sur le recyclage de ce produit, contactez votre commune ou le magasin où vous avez acheté le produit.

**Les autres symboles/autocollants présents sur la machine concernent des exigences de certification spécifiques à certains marchés.**

## Explication des niveaux d'avertissement

Il existe trois niveaux d'avertissement.

### AVERTISSEMENT!



**AVERTISSEMENT! Symbole utilisé en cas de risque de blessures très graves ou de mort pour l'utilisateur ou de dommages pour les environs si les instructions du manuel ne sont pas suivies.**

### REMARQUE !



**REMARQUE ! Symbole utilisé en cas de risque de blessures pour l'utilisateur ou de dommages pour les environs si les instructions du manuel ne sont pas suivies.**

### ATTENTION !

**ATTENTION ! Symbole utilisé en cas de risque de dommages pour les matériaux ou la machine si les instructions du manuel ne sont pas suivies.**



# SOMMAIRE

## Sommaire

### EXPLICATION DES SYMBOLES

Symboles sur la machine: .....	16
Explication des niveaux d'avertissement .....	16

### SOMMAIRE

Sommaire .....	17
Contrôler les points suivants avant la mise en marche: .....	17

### PRÉSENTATION

Cher client, .....	18
Conception et propriétés .....	18
DSS200 .....	18
Domaines d'utilisation .....	18

### PRÉSENTATION

Quels sont les composants de l'outil? .....	19
---	----

### MONTAGE ET RÉGLAGES

Généralités .....	20
Montage de l'outil sur la machine .....	20
Branchez les tuyaux hydrauliques .....	20
Débrancher les flexibles hydrauliques .....	20

### COMMANDE

Équipement de protection .....	21
Instructions générales de sécurité .....	22
Sécurité du travail .....	23
Techniques de travail de base .....	24

### ENTRETIEN

Généralités .....	25
Schéma d'entretien .....	25
Nettoyage .....	25
Inspection générale .....	25
Lame .....	25
Graissage .....	26
Remisage prolongé .....	26
Produit utilisé .....	26
Plan de recherche de pannes .....	27

### CARACTÉRISTIQUES TECHNIQUES

Caractéristiques techniques .....	28
-----------------------------------	----

### DECLARATION DE GARANTIE ETATS-UNIS

POLITIQUE DE GARANTIE .....	29
EQUIPEMENT .....	29

## Contrôler les points suivants avant la mise en marche:



**AVERTISSEMENT!** La découpe, particulièrement la découpe à SEC soulève la poussière générée par le matériau coupé qui contient souvent de la silice. La silice est composée de sable, de quarts d'argile, de granit et de nombreuses autres substances minérales et rocheuses. L'exposition à une quantité excessive d'une telle poussière peut causer:

Des maladies respiratoires (altérant les facultés respiratoires), y compris bronchites chroniques, silicose et fibrose pulmonaire dues à une exposition à la silice. Ces maladies peuvent être fatales;

Irritation cutanée et démangeaisons.

Des cancers selon NTP\* et IARC\* \*/ National Toxicology Program, International Agency for Research on Cancer

Prendre des mesures préventives:

Éviter l'inhalation et le contact avec la peau de la poussière, des vapeurs et des fumées.

L'utilisateur et les personnes présentes sur le site doivent porter des protections respiratoires appropriées telles que des masques spécialement prévus pour filtrer les particules microscopiques. (Voir OSHA 29 CFR Partie 1910.1200)

Couper si possible en utilisant le jet d'eau afin de réduire la poussière dispersée.

# PRÉSENTATION

## Cher client,

Nous vous remercions d'avoir choisi un produit Husqvarna !

Nous espérons que cette machine vous donnera toute satisfaction et qu'elle vous accompagnera pendant de longues années. L'achat de l'un des nos produits garantit une assistance professionnelle pour l'entretien et les réparations. Si la machine n'a pas été achetée chez l'un de nos revendeurs autorisés, demandez l'adresse de l'atelier d'entretien le plus proche.

Ce mode d'emploi est précieux. Veillez à ce qu'il soit toujours à portée de main sur le lieu de travail. En suivant les instructions qu'il contient (utilisation, révision, entretien etc.), il est possible d'allonger considérablement la durée de vie de la machine et d'augmenter sa valeur sur le marché de l'occasion. En cas de vente de la machine, ne pas oublier de remettre le manuel d'utilisation au nouveau propriétaire.

## Plus de 300 ans d'innovation

Husqvarna AB est une entreprise suédoise qui a vu le jour en 1689 lorsque le roi Karl XI décida de construire un arsenal pour la fabrication des mousquets. À l'époque, les compétences en ingénierie à la base du développement de certains des produits leaders du marché mondial dans des domaines tels que les armes de chasse, les vélos, les motos, les électroménagers, les machines à coudre et les produits d'extérieur, étaient déjà solides.

Husqvarna est le premier fournisseur mondial de produits motorisés pour utilisation en extérieur dans la foresterie, l'entretien de parcs, de pelouses et de jardins, ainsi que d'équipements de coupe et d'outils diamant destinés aux industries de la construction et de la pierre.

## Responsabilité du propriétaire

Il est de la responsabilité du propriétaire/de l'employeur de s'assurer que l'utilisateur possède les connaissances nécessaires pour manipuler la machine en toute sécurité. Les responsables et les utilisateurs doivent avoir lu et compris le Manuel d'utilisation. Ils doivent avoir conscience:

- Des instructions de sécurité de la machine.
- Des diverses applications de la machine et de ses limites.
- De la façon dont la machine doit être utilisée et entretenue.

Les législations locales peuvent limiter l'utilisation de cette machine. Recherchez les législations applicables pour le lieu où vous travaillez avant d'utiliser la machine.

## Droit de réserve du fabricant

Husqvarna peut éditer des informations complémentaires concernant l'utilisation de ce produit en toute sécurité après la publication du présent manuel. Il incombe au propriétaire de se tenir informé des méthodes d'utilisation les plus sûres.

Husqvarna AB travaille continuellement au développement de ses produits et se réserve le droit d'en modifier, entre autres, la conception et l'aspect sans préavis.

Pour obtenir des informations et une assistance client, contactez-nous via notre site Web : [www.husqvarna.com](http://www.husqvarna.com)

## Conception et propriétés

Les produits Husqvarna se distinguent par des valeurs telles que la haute performance, la fiabilité, la technologie innovante, les solutions techniques de pointe et les considérations environnementales. Pour utiliser ce produit en toute sécurité, l'utilisateur doit lire le manuel avec attention. Contactez votre revendeur Husqvarna pour obtenir de plus amples informations.

Certaines des caractéristiques uniques de votre produit sont décrites ci-dessous.

## DSS200

- Conception personnalisée permettant un accès facile, même dans les espaces confinés.
- Lame permettant de couper les tuyaux et profilés à proximité de murs ou derrière d'autres matériaux.
- La conception de la lame lui permet de couper des structures en bois mais également des tuyaux en cuivre.
- Lame interchangeable pour couper du métal. (Pas l'acier trempé). Si l'une des lames est usée, elle peut être remplacée individuellement.
- Les mâchoires peuvent couper des matériaux d'une épaisseur de 0 mm à 200 mm/7,9 po.
- Rotation hydraulique à 360°

## Domaines d'utilisation



**AVERTISSEMENT! Il est interdit d'utiliser l'outil à des fins de levage, poussage, traction, battage ou transport de tout type de matériau.**

L'outil est conçu pour être installé sur une machine à des fins de démolition en découpant des structures en métal.

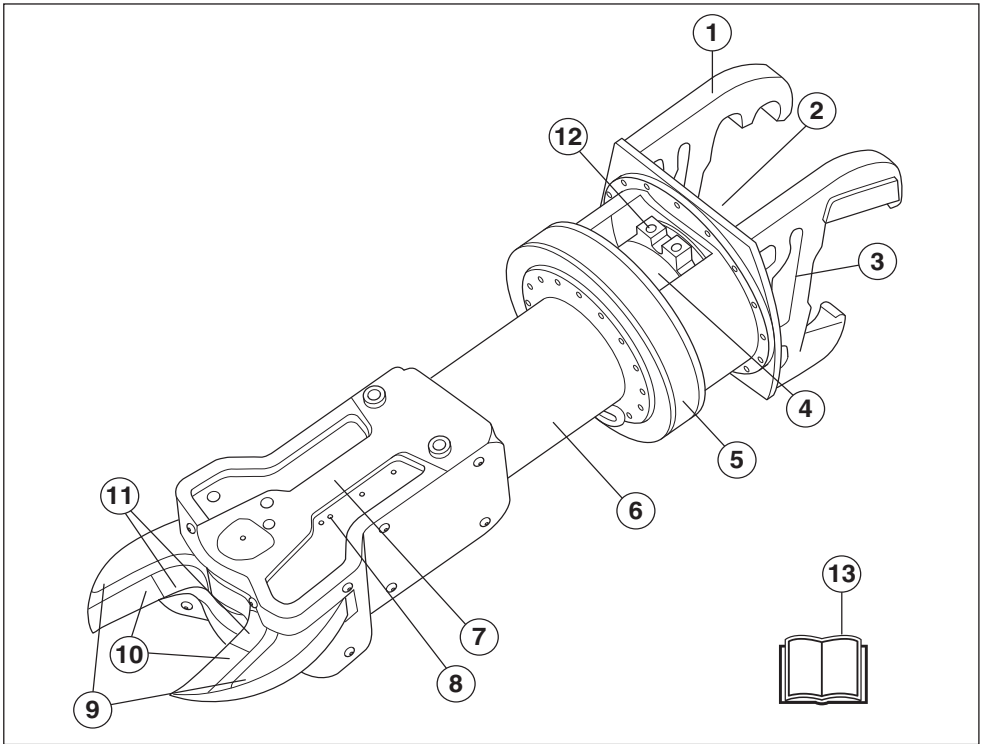
L'outil ne peut être utilisé qu'en association avec les machines répertoriées ci-dessous.

	DSS200
DXR310	X
DXR300	X
DXR270	X
DXR250	X
DXR140*	X

\*Une plaque ou des douilles d'adaptation individuelles sont nécessaires.

La machine est conçue pour des applications industrielles et destinée à des opérateurs expérimentés.

# PRÉSENTATION



Quels sont les composants de l'outil?

- |   |   |    |                                     |
|---|---|----|-------------------------------------|
| 1 | Attache à outils                              | 8  | Point de lubrification              |
| 2 | Raccord hydraulique pour la fonction de coupe | 9  | Mâchoires de la cisaille            |
| 3 | Point de levage                               | 10 | Cisaille, partie extérieure         |
| 4 | Rotor   | 11 | Cisaille, partie intérieure         |
| 5 | Paliers                                       | 12 | Raccords hydrauliques pour le rotor |
| 6 | Cylindre                                      | 13 | Manuel d'utilisation                |
| 7 | Boîtier de la cisaille                        |    |                                     |

# MONTAGE ET RÉGLAGES

## Généralités



**AVERTISSEMENT!** Assurez-vous que l'outil est correctement placé et qu'il ne présente aucun risque. Un outil se détachant accidentellement peut causer des blessures personnelles.

Assurez-vous que les performances de l'outil et de la machine (poids, pression hydraulique, flux, etc.) sont compatibles.

Empêchez la poussière d'entrer dans le système hydraulique en :

- Essuyant la poussière des raccords avant le montage ou le démontage.
- Plaçant des pare-poussières sur les raccords hydrauliques de la machine lorsqu'aucun outil n'est monté.
- Vous assurant que les tuyaux de l'outil sont toujours assemblés les uns aux autres lorsque l'outil n'est pas connecté à la machine.

## Montage de l'outil sur la machine

- Voir le manuel d'utilisation de la machine de démolition pour les instructions.

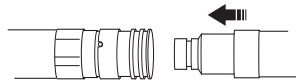
## Branchez les tuyaux hydrauliques



**REMARQUE !** Les raccords à boyaux peuvent rester pressurisés même si le moteur est éteint et le câble électrique débranché. Considérez toujours que les tuyaux hydrauliques sont pressurisés et ouvrez-les très prudemment. Soulagez la pression sur le système de bras en le posant sur le sol et éteignez le moteur électrique avant de démonter les tuyaux. Faites très attention lorsque vous démontez les connexions et utilisez un équipement de protection individuelle adapté.

Les tuyaux hydrauliques sont équipés d'accouplements à baïonnette avec décompression. Ceci facilite le positionnement des tuyaux, même si la pression est bloquée.

- Connecter le raccord mâle de l'outil au raccord femelle de la machine. L'écrou doit émettre un cliquement lorsque le montage est correct. Pour verrouiller les raccords, tournez la douille extérieure du raccord femelle afin que la rainure s'éloigne de la boule.



- Connecter le raccord femelle de l'outil au raccord mâle de la machine.
- Démarrer le moteur.
- Ouvrez et fermez les cisailles en acier 5 ou 6 fois.
- Arrêter le moteur. Mettre l'interrupteur principal en position "0".
- Rechercher la présence de fuites.

## Débrancher les flexibles hydrauliques

- Fermer les mâchoires au maximum afin que les cylindres hydrauliques se rétractent complètement.
- Arrêter le moteur.
- Faire pivoter le manchon externe afin que la fente coïncide avec la bille et pousse en direction de celle-ci afin de déconnecter le raccord.
- Démontez l'outil de la machine. Voir le manuel d'utilisation de la machine de démolition pour les instructions.

# COMMANDE

## Équipement de protection

### Généralités

- Ne jamais utiliser une machine s'il n'est pas possible d'appeler au secours en cas d'accident.

### Équipement de protection personnelle

Un équipement de protection personnelle homologué doit impérativement être utilisé lors de tout travail avec la machine. L'équipement de protection personnelle n'élimine pas les risques mais réduit la gravité des blessures en cas d'accident. Demander conseil au concessionnaire afin de choisir un équipement adéquat.



**AVERTISSEMENT!** Lorsqu'elle est en marche, la machine peut générer de la poussière et des fumées pouvant contenir des produits chimiques nocifs. C'est pourquoi il est essentiel de connaître le matériau travaillé et de porter un masque à poussière ou respiratoire approprié. Il est particulièrement important de porter un système de sécurité respiratoire lors de travaux en intérieur, en raison de la ventilation limitée. Dans certaines situations, il peut être également approprié d'appliquer de l'eau afin de réduire la poussière.

**Une exposition prolongée au bruit risque de causer des lésions auditives permanentes. Toujours utiliser des protecteurs d'oreille agréés. Soyez toujours attentifs aux signaux d'alerte ou aux appels en portant des protège-oreilles. Enlevez-les sitôt le moteur arrêté.**

Des produits chimiques tels que des dégraissants, de la graisse et du fluide hydraulique peuvent donner des allergies en cas de contacts répétés avec la peau. Évitez le contact avec la peau, utilisez un équipement de protection.

Lorsqu'elle est en marche, la machine peut générer de la poussière et des fumées pouvant contenir des produits chimiques nocifs. C'est pourquoi il est essentiel de connaître le matériau travaillé et de porter un masque à poussière ou respiratoire approprié.

Il est particulièrement important de porter un système de sécurité respiratoire lors de travaux en intérieur, en raison de la ventilation limitée. Dans certaines situations, il peut être également approprié d'appliquer de l'eau afin de réduire la poussière.

Toujours utiliser:

- Casque de protection homologué
- Protecteur d'oreilles
- Des protège-yeux homologués. L'usage d'une visière doit toujours s'accompagner du port de lunettes de protection homologuées. Par lunettes de protection homologuées, on entend celles qui sont en conformité avec les normes ANSI Z87.1 (États-Unis) ou EN 166 (pays de l'UE). La visière doit être conforme à la norme EN 1731.
- Masque respiratoire
- Gants solides permettant une prise sûre.
- Vêtements confortables, robustes et serrés qui permettent une liberté totale de mouvement.
- Bottes avec coquille en acier et semelle antidérapante

Attention! Les habits, les cheveux longs et les bijoux peuvent se coincer dans les parties en mouvement.

### Autre équipement de protection



**REMARQUE !** Lorsque vous travaillez avec la machine, des étincelles peuvent se former et mettre le feu. Gardez toujours à portée de main les outils nécessaires à l'extinction d'un feu.

- Extincteur
- Une trousse de premiers secours doit toujours être disponible.
- Utilisez un matériel de montage agréé pour sécuriser et soulever des pièces lourdes de la machine.

## Instructions générales de sécurité



**AVERTISSEMENT!** Lisez tous les avertissements et les instructions de sécurité. Le non-respect des avertissements et instructions peut être à l'origine d'un incendie et/ou de blessures très graves.

**Veiller à ce qu'aucune personne non autorisée ne se trouve dans la zone de travail pour éviter le risque de blessures graves.**

Le présent chapitre décrit les consignes de sécurité de base relatives à l'utilisation de la machine. Aucune de ces informations ne peut remplacer l'expérience et le savoir-faire d'un professionnel. Délimitez l'espace de travail.

- Lire attentivement et bien assimiler le manuel d'utilisation avant d'utiliser la machine. **Conserver toutes ces consignes et instructions pour toute consultation ultérieure.**
- Cette machine s'utilise avec d'autres produits. Lisez attentivement le manuel fourni avec les produits et assimilez-le bien avant toute utilisation.
- N'oubliez pas que c'est vous, l'opérateur, qui êtes responsable de protéger les tiers et leurs biens de tout accident ou danger.
- Tous les opérateurs doivent recevoir une formation sur l'utilisation de la machine. Il incombe au propriétaire de garantir que les opérateurs reçoivent une formation.
- La machine doit rester propre. Les signes et autocollants doivent être parfaitement lisibles. Remplacez les autocollants usés ou abîmés.



**AVERTISSEMENT!** La machine utilisée de manière imprudente ou inadéquate peut devenir un outil dangereux, pouvant causer des blessures graves voire mortelles à l'utilisateur et aux autres personnes présentes.

**Ne jamais permettre à des enfants ou à des personnes ne possédant pas la formation nécessaire d'utiliser ou d'entretenir la machine. Ne jamais laisser d'autres personnes utiliser la machine sans s'être assuré au préalable que ces personnes ont bien compris le contenu du mode d'emploi.**

**N'utilisez jamais la machine si vous êtes fatigué, avez bu de l'alcool ou pris des médicaments susceptibles d'affecter votre vue, votre jugement ou la maîtrise de votre corps.**



**AVERTISSEMENT!** Toute modification non autorisée et/ou tout emploi d'accessoires non homologués peuvent provoquer des accidents graves voire mortels pour l'utilisateur et les autres.

**Ne modifiez jamais cette machine de façon à ce qu'elle ne soit plus conforme au modèle d'origine et n'utilisez jamais une machine qui semble avoir été modifiée.**

**Ne jamais utiliser une machine qui n'est pas en parfait état de marche. Appliquer les instructions de maintenance et d'entretien ainsi que les contrôles de sécurité indiqués dans ce manuel d'utilisation. Certaines mesures de maintenance et d'entretien doivent être confiées à un spécialiste dûment formé et qualifié. Voir les instructions à la section Maintenance.**

**N'utiliser que des accessoires et des pièces d'origine.**

## Utilisez toujours votre bon sens

Il est impossible de mentionner toutes les situations auxquelles vous pouvez être confronté. Soyez toujours vigilant et utilisez l'appareil avec bon sens. Si vous êtes confronté à une situation où vous pensez ne pas être en sécurité, arrêtez immédiatement et consultez un spécialiste. Veuillez contacter votre revendeur, votre atelier de réparation ou un utilisateur expérimenté. Il convient d'éviter tous les travaux pour lesquels vous ne vous sentez pas suffisamment qualifié !

## Sécurité du travail

### Sécurité dans l'espace de travail

#### La zone de risque de la machine

Personne n'est autorisé dans la zone de risque de la machine lorsque celle-ci est en marche. Ceci s'applique également à l'utilisateur.

La zone de travail est limitée à la portée de la machine, mais la zone de risque varie en fonction de la méthode et de l'objet de travail, de la surface, etc. Étudiez les risques éventuels avant d'entamer le travail. Si les conditions changent au cours du travail, la zone de risque doit être redéfinie.

#### Espace de travail

- Définissez et délimitez la zone de risque. Personne n'est autorisé dans la zone de risque de la machine lorsque celle-ci est en marche.
- S'assurer que l'éclairage de la zone de travail est suffisant pour que l'environnement de travail soit de toute sécurité.
- La machine peut être télécommandée sur de longues distances. N'utilisez la machine que si vous la maîtrisez parfaitement et avez une vision claire de sa zone de risque.
- Ne commencez jamais à travailler avec la machine avant d'avoir éliminé tout obstacle de la zone de travail.
- Soyez attentif lorsque vous travaillez dans des milieux présentant un risque important de dérapage en raison d'un sol inégal ou de matériaux mobiles comme l'huile ou la glace.
- Inspectez le sol, les murs porteurs, etc., pour éviter que des matériaux, des machines ou des personnes ne tombent et traitez tout risque potentiel avant de commencer à travailler.
- Lorsque vous travaillez en hauteur, sur des toits ou des plateformes par exemple, augmentez la taille de la zone de risque. Définissez et délimitez la zone de risque au niveau du sol et assurez-vous qu'aucun matériau ne puisse tomber et causer des blessures.
- N'utilisez pas la machine dans des milieux présentant un risque d'explosion. Tenez compte du risque de formation d'étincelles lorsque vous travaillez en milieu inflammable.
- Vérifiez toujours les câbles électriques et les conduites et marquez les endroits où ils passent.
- Dans des espaces confinés, l'air peut rapidement devenir dangereux pour la santé, en raison notamment de la poussière et des gaz. Utilisez un équipement de protection et assurez-vous que la ventilation est satisfaisante.

### Sécurité du personnel

- Éviter d'utiliser la machine en cas de fatigue, d'absorption d'alcool ou de prise de médicaments susceptibles d'affecter l'acuité visuelle, le jugement ou la maîtrise du corps.
- Utiliser les équipements de protection personnelle. Voir au chapitre "Équipement de protection personnelle".
- Une mauvaise manœuvre ou un accident imprévisible peuvent provoquer un effondrement. Ne vous placez jamais sous l'objet de votre travail.

- Ne vous placez jamais à un endroit où vous risquez de vous faire écraser. La machine peut très rapidement changer de position. Ne vous placez jamais sous un bras levé, même si la machine est arrêtée.
- Lorsque vous travaillez seul, réduisez les risques en vous assurant d'être en mesure le cas échéant, de faire retentir une alarme d'urgence via un téléphone portable ou un autre dispositif.
- Des personnes ou des animaux peuvent détourner l'attention de l'opérateur et l'amener à perdre le contrôle de la machine. C'est pourquoi l'opérateur doit toujours être attentif et concentré sur son travail. Ne jamais laisser des enfants manœuvrer la machine.
- Travaillez toujours de telle sorte que vous puissiez accéder facilement à l'arrêt d'urgence.

### Sécurité hydraulique

- Risque de brûlure. L'huile hydraulique, les tuyaux et les raccords peuvent atteindre des températures très élevées, que l'outil soit raccordé ou non. Utilisez un équipement de protection individuelle adapté.
- Avant toute opération sur le système hydraulique, attendre que la machine ait refroidi.
- Contrôlez que tous les raccords, connexions et flexibles hydrauliques sont intacts.
- Maintenez les flexibles hydrauliques et les raccords propres.
- Ne maltraitez pas les flexibles.
- Ne pas utiliser de tuyaux tordus, usés ou endommagés.
- Vérifiez qu'aucun tuyau ne frotte contre des bords tranchants. Soyez attentif au risque de jet abrasif.
- Ajustez la longueur des tuyaux hydrauliques afin qu'ils ne soient jamais complètement tendus.
- Assurez-vous que le tuyau n'est pas tourné pendant le montage.
- Évitez de trop courber le tuyau.
- Contrôlez que les flexibles sont raccordés correctement à la machine et que les raccords hydrauliques se verrouillent comme prévu avant de mettre le système hydraulique sous pression. Pour verrouiller les raccords, tournez la douille extérieure du raccord femelle afin que la rainure s'éloigne de la boule. Les tuyaux de pression du système doivent toujours être connectés à l'entrée de l'outil. Les tuyaux de retour du système doivent toujours être connectés à la sortie de l'outil. Si les raccords sont inversés, l'outil travaille à l'envers et risque ainsi de blesser les personnes.
- Vérifiez qu'il n'y a pas de fuite dans les connecteurs de tuyaux, les raccordements et les cylindres. Toute fissure ou fuite risque d'entraîner une « injection d'huile » dans le corps ou de causer une blessure corporelle grave.
- Ne jamais essayer de localiser une fuite avec la main. Le contact avec une fuite peut causer des blessures personnelles graves en raison de la pression élevée du système hydraulique.
- Ne dépassez pas le débit et la pression d'huile recommandés pour l'outil utilisé. Un débit ou une pression trop élevés peut causer des fissures.

# COMMANDE

## À utiliser avec l'outil monté sur la machine

- Assurez-vous que tous les dispositifs de sécurité sont en place et en bon état. Remplacez-les s'ils sont endommagés.
- Defina y acordone la zona de riesgo. Cuando se realizan los trabajos, no se permite que ninguna persona permanezca en la zona de riesgo de la máquina. La zona de riesgo de la máquina puede variar durante el transcurso de los trabajos. Esto también se aplica al operario.
- Ne laissez jamais la machine sans surveillance avec le moteur en marche.
- Arrêtez toujours la machine avant de la déplacer.
- Débranchez toujours la machine en cas d'interruption prolongée du travail.
- Vérifiez que tous les couplages, raccordements et câbles sont intacts et qu'ils sont propres. Si vous êtes confronté à une situation d'urgence, appuyez sur le bouton d'arrêt d'urgence rouge.
- Assurez-vous que toutes les pièces sont en état de fonctionnement et que tous les éléments de fixation sont correctement serrés.
- L'utilisateur ne peut effectuer que les travaux d'entretien et de révision décrits dans ce manuel d'utilisation. Les mesures plus importantes doivent être effectuées dans un atelier d'entretien agréé.
- Utilisez un équipement de protection individuelle ainsi qu'un dispositif pour sécuriser mécaniquement les composants de la machine pendant les travaux d'entretien ou de réparation.
- Si les réparations ou les opérations de recherche de panne ne nécessitent pas que la machine soit allumée, retirez le câble électrique et placez-le de telle manière qu'il ne puisse pas être branché par erreur.
- Les raccordements de tubes et de tuyaux peuvent rester pressurisés même une fois le moteur éteint. Considérez toujours que les tuyaux sont sous pression lorsque vous procédez au démontage. Faites très attention lorsque vous démontez les connexions et utilisez un équipement de protection individuelle adapté.
- Utilisez un matériel de montage agréé pour sécuriser et soulever des pièces lourdes de la machine.
- Plusieurs composants chauffent pendant le travail avec la machine. Ne commencez aucune opération de réparation ou d'entretien avant que la machine n'ait refroidi.
- Lorsque le travail est terminé, posez le bras sur le sol avant d'éteindre la machine.

## Techniques de travail de base



**AVERTISSEMENT! Il est interdit d'utiliser l'outil à des fins de levage, poussage, traction, battage ou transport de tout type de matériau.**

**Ne vous appuyez jamais contre le cisailleuse pour soulever et/ou déplacer la machine.**



**REMARQUE ! En n'utilisant que les pointes pour couper, vous tordez les lames et réduisez leur durée de vie.**

**La découpe de câbles en acier, d'acier trempé et de plaque en acier fin peut endommager les lames de la cisaille en acier et le palier de lame.**

## Transport et rangement

### Levage de l'outil

- Lors du levage de l'outil, il existe un risque de blessure des tiers et de dommages à la machine ou aux environs. Définir la zone de risque et vérifier que personne ne s'y trouve lors du levage de l'outil.
- Utilisez un matériel de montage agréé pour sécuriser et soulever des pièces lourdes de la machine.
- Le mécanisme d'élévation doit être attaché à tous les points de soulèvement de la machine.

### Sécuriser la charge

- Fixer l'outil sur une palette et le manipuler à l'aide d'un chariot élévateur.
- Sécurisez l'équipement lors du transport afin d'éviter tout dommage ou accident.

### Transport

- Sur de courtes distances, l'outil peut être transporté à vitesse réduite tout en étant monté sur la machine. Rétractez le système de bras. Le centre de gravité doit être le plus proche possible du centre de la machine.
- Lors du chargement et du déchargement sur une rampe, l'outil doit être déposé de la machine.

### Remisage

- Démontez l'outil de la machine.
- Rangez les outils dans un endroit sûr et inaccessible aux personnes non autorisées. Assurez-vous qu'ils sont stables et ne peuvent pas tomber. Si les outils sont placés en hauteur ou sur une pente, sécurisez-les de manière à ce qu'ils ne puissent pas bouger ou tomber. Protégez les raccordements hydrauliques des outils contre la poussière ou un éventuel accident.
- Stockez l'équipement dans un endroit verrouillé afin de le maintenir hors de portée des enfants et de toute personne incompétente.
- Rangez la machine et ses équipements dans un endroit sec et à l'abri du gel.



# ENTRETIEN

## Généralités



**AVERTISSEMENT!** L'utilisateur ne peut effectuer que les travaux d'entretien et de révision décrits dans ce manuel d'utilisation. Les mesures plus importantes doivent être effectuées dans un atelier d'entretien agréé.

Toutes les opérations décrites dans cette rubrique doivent être réalisées avec l'outil déposé et posé au sol.

Utilisez un équipement de protection individuelle ainsi qu'un dispositif pour sécuriser mécaniquement les composants de la machine pendant les travaux d'entretien ou de réparation.

La durée de vie de la machine risque d'être écourtée et le risque d'accidents accru si la maintenance de la machine n'est pas effectuée correctement et si les mesures d'entretien et/ou de réparation ne sont pas effectuées de manière professionnelle. Pour obtenir de plus amples informations, contacter l'atelier de réparation le plus proche.

- Faites régulièrement contrôler la machine par votre revendeur Husqvarna afin qu'il procède aux installations et réparations adéquates.

## Schéma d'entretien

Le calendrier de maintenance vous indique quelles pièces de la machine nécessitent un entretien et à quelle fréquence cet entretien doit avoir lieu. La fréquence est calculée en fonction de l'utilisation quotidienne de la machine, et peut varier en fonction du degré d'utilisation.

Entretien quotidien
Nettoyage
Inspection générale
Lame
Graissage

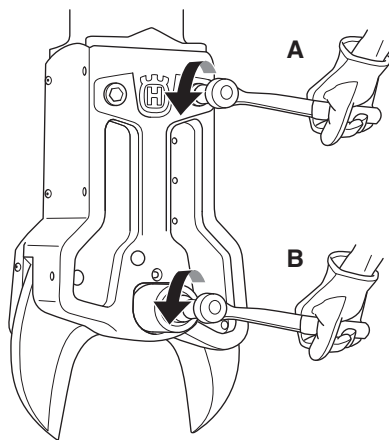
## Nettoyage

- Nettoyer à l'aide d'un chiffon ou d'une brosse.
- L'outil peut être nettoyé de façon plus minutieuse en utilisant de l'eau et du détergent.

## Inspection générale

- Inspecter l'outil et rechercher tout dommage ou trace d'usure.
- Contrôlez que tous les raccords, connexions et flexibles hydrauliques sont intacts. Remplacez-les si nécessaire.

- Vérifiez que les boulons ne sont pas desserrés. Serrez les boulons à l'aide d'une clé dynamométrique si nécessaire.

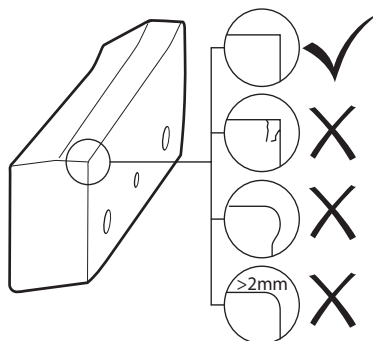


	Couple, Nm	Taille de clé, mm/po	Quantité
A	380	17	2
B	140	55	1

## Lame

Utiliser toujours des pièces de rechange d'origine.

- Vérifier les fraises. Les lames doivent être remplacées lorsque plus de 2 mm du rayon est fissuré.



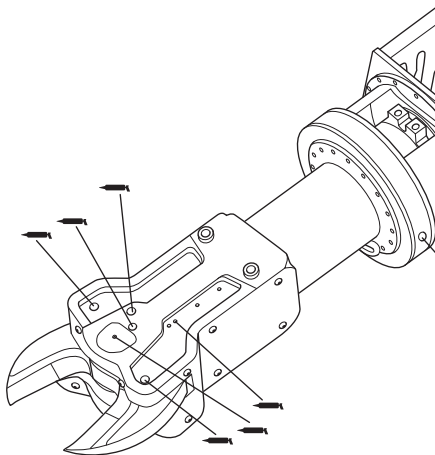
**ATTENTION !** Des cisailleurs endommagés peuvent endommager l'outil. Ne jamais utiliser de fraises fissurées ou endommagées.

Inspectez l'usure de la plaque d'usure de la tête du cylindre lorsque vous remplacez les lames et remplacez-la si nécessaire.

## Graissage

L'illustration montre tous les points de lubrification.  
Nettoyez le graisseur. Remplacez les graisseurs cassés ou bloqués.

Utilisez de la graisse de lubrification en fonction du tableau dans la section '« Caractéristiques techniques »'.



## Remisage prolongé

Avant de remettre l'outil pour une période prolongée, veillez à ce qu'il soit bien nettoyé et que toutes les mesures d'entretien aient été effectuées.

## Produit utilisé

Cet outil remplit les conditions nécessaires pour atteindre une longue durée de vie. Ceci minimise l'impact de la machine sur l'environnement. Effectuez les réparations et l'entretien conformément aux instructions de ce manuel. Cela permettra à l'outil de durer plus longtemps.

Lorsque l'outil est hors d'usage, il doit être mis au rebut de façon à être recyclé ou détruit.

Respecter la réglementation locale en termes de mise au rebut et de recyclage.

# ENTRETIEN

## Plan de recherche de pannes



**AVERTISSEMENT!** La plupart des accidents impliquant des machines se produisent lors de dépannages, de réparations ou de travaux d'entretien, lorsque qu'un membre du personnel doit pénétrer dans la zone de risque de la machine. Prévenez des accidents en étant attentif et en planifiant et préparant le travail.

Si les réparations ou les opérations de recherche de panne ne nécessitent pas que la machine soit allumée, retirez le câble électrique et placez-le de telle manière qu'il ne puisse pas être branché par erreur.

Problème	Cause	Action possible
Performances réduites	Débit hydraulique et/ou pression hydraulique insuffisant(e).	S'assurer que tous les tuyaux et raccords hydrauliques sont en bon état et correctement raccordés.
		Défaut du système hydraulique.*
Vibrations	Vis et boulons desserrés ou manquants.	Vérifier le couple de serrage des vis ou des boulons. Remplacer les vis manquantes.*
Les cisailles en acier ne s'ouvrent / se ferment pas	Absence de débit hydraulique et/ou de pression hydraulique.	Défaut du système hydraulique.*
La manœuvre des cisailles en acier est inversée	Inverse les tuyaux d'alimentation et de retour.	Raccorder le tuyau d'admission à l'entrée de l'outil, et le tuyau de retour à la sortie de l'outil.
Fuite d'huile	Raccords desserrés.	Serrer les raccords.
	Tuyaux ou raccords endommagés.*	Remplacer les tuyaux ou raccords endommagés.*

\*Doit être effectué par un atelier de service agréé.

# CARACTÉRISTIQUES TECHNIQUES

## Caractéristiques techniques

	DSS200
<b>Système hydraulique</b>	
Pression de fonctionnement maximale, PSI / bar	3626/250
Débit d'huile maximum, gal/min / l/min	19,8 / 75
<b>Dimensions</b>	
Poids, lb/kg	408 / 185
Longueur, pouces/mm	40,2 / 1019
Longueur (avec plaque de montage), mm / po	47,8 / 1212
Largeur, pouces/mm	13 / 330
Hauteur, pouce/mm	17,1 / 423
Distance max. entre les pointes, pouce/mm	7,9 / 200
Angle de rotation	Rotation hydraulique à 360°

## Lubrifiant

	Qualité	Standard
Tous les points de lubrification	NLGI 2	ASTM D217
	ISO-L-XCCEB 2	ISO 6743-9
	KPF2N-25	DIN 51502

## Performances

Profondeur des mâchoires, pouce/mm	6,3 / 158
Délai de fermeture (débit d'huile 65 l/mi), s	2,0
Délai d'ouverture (débit d'huile 65 l/mi), s	1,5
Force max. sur la partie intérieure de la lame, t/kN	85,7 / 841
Force max. sur la partie centrale de la lame, t/kN	50 / 490

## Dimensions de cisaille max. (Acier 235 MPa / 34 ksi)

A	Poutres / profilés, po / mm	IPE 120 (4,7x2,5 / 120x64)
B	Fer carré, po / mm	1,18x1,18 / 30x30
C	Tuyau, po / mm	2,95x0,20 / 75x5
D	Barre d'armature*, po / mm	1/25
E	Tuyau carré, po / mm	2,4x2,4x0,2/60x60x5
F	Poutre en U, po / mm	UPE 100 (2,2x3,9 / 55x100)

\*Classe maximale : 500 MPa/75 ksi



---

# DECLARATION DE GARANTIE ETATS-UNIS

---

## POLITIQUE DE GARANTIE

Toute réclamation au titre de la garantie sera résolue après inspection dans un établissement désigné. Une autorisation de retour de marchandise est nécessaire en cas de réclamation au titre de la garantie. Pour obtenir cette autorisation, veuillez contacter le département du Service Clients d'Husqvarna au 800-845-1312. Le client doit prépayer le transport et prendre en charge tous les frais de main d'oeuvre nécessaires au retour ou au remplacement d'un produit soumis à des fins de garantie. Husqvarna remboursera les frais de transport encourus pour les produits réparés ou les produits de remplacement homologués.

## EQUIPEMENT

L'équipement fabriqué par Husqvarna est garanti pour être exempt de tout défaut de fabrication en fonctionnement normal pour une période de deux (2) ans à partir de la date de l'achat par l'acquéreur et utilisateur initial. **Les fabricants des pièces proposent des délais de garantie individuels. Pour davantage d'informations, veuillez contacter les Services techniques au 800-288-5040.**

Sous cette garantie, notre obligation est expressément limitée au remplacement ou à la réparation chez Husqvarna Construction Products North America, Olathe, Kansas 66061, ou à un atelier de réparation désigné par nos soins, de pièces que l'inspection aura déterminées comme défectueuses.

Cette garantie ne s'applique pas en cas de défauts occasionnés par des détériorations, une utilisation abusive, des réparations inadéquates opérées par des personnes autres qu'un réparateur Husqvarna homologué, ni en cas de défauts engendrés par un manque d'entretien minimum, une fois l'appareil en possession de l'utilisateur. Par ailleurs, la garantie est nulle si le produit, ou l'un de ses composants, est modifié par l'acheteur lui-même ou si le produit est utilisé d'une façon inappropriée ou avec des outils qui ne sont pas recommandés par le fabricant.

**Exceptions :** Moteurs de forage - 3 mois, Scies murales - 1 an, Découpeuses - 3 mois, DM 230 - 1 an, DM 225 - 3 mois, Système Gyro - 1 an, Système CD 40 - 1 an, DS 160 C - 1 an, Smart box - 1 an, CS 2515 - 1 an, PP 455 E - 1 an, PP 345 E - 1 an, HP 40 - 1 an.

**Articles d'usure :** Filtres, bougies d'allumage, roulements\*, courroies, roues\*\* et plaques d'usure.

\*Système Except IntelliSeal™. \*\*Sauf délaminage.

# ACLARACION DE LOS SIMBOLOS

## Símbolos en la máquina:

¡ATENCIÓN! La máquina, si se utiliza de forma errónea o descuidada, puede ser una herramienta peligrosa que puede causar daños graves e incluso la muerte al usuario y a otras personas.

Lea detenidamente el manual de instrucciones y asegúrese de entender su contenido antes de utilizar la máquina.

Utilice el equipo de protección personal. Vea las instrucciones bajo el título "Equipo de protección personal".

¡ATENCIÓN! Riesgo de lesiones por aplastamiento. Existe siempre riesgo de accidentes por apriete al trabajar con aparatos con piezas móviles.

¡ATENCIÓN! Superficie caliente.

¡ATENCIÓN! Cuando realice, cortes preste atención al material de demolición que se desprende. Utilice un equipo de seguridad personal y respete las distancias.

Este producto cumple con la directiva CE vigente.

**Etiquetado ecológico.** El símbolo en el producto o en su envase indica que no se puede tratar este producto como desperdicio doméstico. Deberá por lo tanto depositarse en un centro de recogida adecuado para el reciclado de equipos eléctricos y electrónicos.

Haciendo que este producto sea manipulado adecuadamente, se ayuda a evitar consecuencias negativas potenciales para el medio ambiente y las personas, lo que puede ocurrir con la manipulación inadecuada como residuos del producto.

Para obtener información más detallada sobre el reciclado de este producto, contacte con la oficina municipal local, con el servicio de eliminación de desperdicios domésticos o con la tienda donde compró el producto.

**Los demás símbolos/etiquetas que aparecen en la máquina corresponden a requisitos de homologación específicos en determinados mercados.**



## Explicación de los niveles de advertencia

Las advertencias se clasifican en tres niveles.

### ¡ATENCIÓN!



¡ATENCIÓN! Indica un riesgo de daños graves para el usuario o incluso muerte, o bien daños al entorno, si no se siguen las instrucciones del manual.

### ¡NOTA!



¡NOTA! Indica un riesgo de lesiones para el usuario o daños al entorno si no se siguen las instrucciones del manual.

### AVISO

AVISO Indica un riesgo de daños en los materiales o en la máquina si no se siguen las instrucciones del manual.

## Índice

<b>ACLARACION DE LOS SIMBOLOS</b>	
Símbolos en la máquina: .....	30
Explicación de los niveles de advertencia .....	30
<b>INDICE</b>	
Índice .....	31
Antes de arrancar, observe lo siguiente: .....	31
<b>PRESENTACIÓN</b>	
Apreciado cliente: .....	32
Diseño y funciones .....	32
DSS200 .....	32
Campo de aplicación .....	32
<b>PRESENTACIÓN</b>	
¿Qué es qué en la herramienta? .....	33
<b>MONTAJE Y AJUSTES</b>	
Generalidades .....	34
Montaje de la herramienta en la máquina .....	34
Conexión de las mangueras hidráulicas .....	34
Desacoplar las mangueras hidráulicas .....	34
<b>FUNCIONAMIENTO</b>	
Equipo de protección .....	35
Instrucciones generales de seguridad .....	36
Seguridad en el trabajo .....	37
Técnica básica de trabajo .....	38
<b>MANTENIMIENTO</b>	
Generalidades .....	39
Programa de mantenimiento .....	39
Limpieza .....	39
Inspección general .....	39
Cuchillas .....	39
Lubricación .....	40
Almacenamiento prolongado .....	40
Producto desgastado .....	40
Tabla de localización de fallos .....	41
<b>DATOS TECNICOS</b>	
Datos técnicos .....	42
<b>DECLARACIÓN DE GARANTÍA PARA EE. UU.</b>	
POLÍTICA DE GARANTÍA .....	43
EQUIPO .....	43

## Antes de arrancar, observe lo siguiente:



**¡ATENCIÓN!** El material que se corta a menudo contiene sílice y, al cortarlo en SECO particularmente, desprende polvo. La sílice es un componente básico de la arena, la arcilla para ladrillos, del cuarzo, del granito, y de varios otros minerales y rocas. La exposición a una cantidad excesiva de polvo de sílice puede causar:

Enfermedades respiratorias (que afectan su habilidad para respirar) como bronquitis crónicas, silicosis y fibrosis pulmonares por exposición a la sílice. Estas enfermedades pueden ser mortales.

Irritación y erupción de la piel.

Cáncer, según el Programa Nacional de Toxicología (NTP) y el Centro Internacional de Investigaciones sobre el Cáncer (IARC).

Tome medidas de precaución:

Evite el contacto de la piel con el polvo, vapor y humo, y su inhalación.

Use, y asegúrese de que quienes lo rodean usen, indumentaria de protección del aparato respiratorio como las mascarillas antipolvo diseñadas para filtrar partículas microscópicas. (Consulte las normas de la OSHA: 29 CFR Parte 1910.1200.)

Corte en húmedo, en la medida de lo posible, para minimizar la cantidad de polvo.

# PRESENTACIÓN

## Apreciado cliente:

Gracias por elegir un producto Husqvarna. Esperamos que su máquina le proporcione plena satisfacción y le sirva de ayuda por mucho tiempo en adelante. La adquisición de alguno de nuestros productos da acceso a asistencia profesional con reparaciones y servicio. Si la máquina no fue adquirida en un distribuidor oficial, preguntar en la tienda de compra la dirección del taller de servicio más cercano.

Este manual de instrucciones es un documento importante. Procure tenerlo siempre a mano en el lugar de trabajo. Siguiendo sus instrucciones (de uso, servicio, mantenimiento etcétera) puede alargar considerablemente la vida útil de la máquina e incrementar su valor de reventa. Si vende su máquina, entregue el manual de instrucciones al nuevo propietario.

## Más de 300 años de innovación

La fundación de la empresa sueca Husqvarna AB data del año 1689, cuando el Rey Karl XI encargó la construcción de una fábrica para la fabricación de mosquetes. En ese momento se establecieron los cimientos de la experiencia tecnológica en la que se basan muchos de los productos punteros en el mundo en el sector de las armas de caza, bicicletas, motocicletas, electrodomésticos, máquinas de coser y productos para exteriores.

Husqvarna es líder internacional en productos motorizados para exteriores destinados a la silvicultura, el mantenimiento de parques y el cuidado del césped y del jardín, así como equipos de corte y herramientas de diamante para el sector de la construcción y la piedra.

## Responsabilidad del propietario

El propietario / empresario es el responsable de asegurarse de que el usuario tiene los conocimientos necesarios para utilizar la máquina con seguridad. Los supervisores y los usuarios deben haber leído y entendido el manual de instrucciones. Deben tener conocimiento de lo siguiente:

- Las instrucciones de seguridad de la máquina.
- Las aplicaciones y las limitaciones de la máquina.
- El modo de uso y de mantenimiento de la máquina.

La utilización de esta máquina podría estar restringida por regulaciones locales. Infórmese sobre las regulaciones vigentes en el lugar donde trabaja antes de empezar a utilizar la máquina.

## Los derechos que se reserva el fabricante.

Tras la publicación de este manual, Husqvarna podría publicar información adicional para el funcionamiento seguro de este producto. Es responsabilidad del propietario mantenerse informado de los métodos de funcionamiento más seguros.

Husqvarna AB trabaja constantemente para perfeccionar sus productos y se reserva, por lo tanto, el derecho a introducir modificaciones en la construcción y el diseño sin previo aviso.

Para recibir información y atención como cliente, póngase en contacto con nosotros a través de nuestro sitio web: [www.husqvarna.com](http://www.husqvarna.com)

## Diseño y funciones

El alto rendimiento, la fiabilidad, la tecnología innovadora, las soluciones técnicas avanzadas y el respeto medioambiental son los valores que caracterizan a los productos de Husqvarna. El usuario debe leer este manual detenidamente para garantizar un funcionamiento seguro del producto. Póngase en contacto con su concesionario o con Husqvarna si necesita más información.

A continuación se describen algunas de las características únicas de su producto.

## DSS200

- Diseño personalizado que permite un acceso sencillo incluso en espacios reducidos.
- La hoja permite cortar tuberías y perfiles situados junto a muros o detrás de otros materiales
- El diseño de la hoja hace posible cortar estructuras de madera y, también, tuberías de cobre.
- Hoja intercambiable para cortar metal (no acero endurecido). Si una de las hojas se desgasta, se puede sustituir de forma independiente.
- Las mordazas pueden cortar material con un grosor entre 0 y 200 mm (7,9 pulg.).
- Rotación hidráulica de 360°

## Campo de aplicación



**¡ATENCIÓN! Está prohibido utilizar la herramienta para elevar, empujar, tirar, golpear o transportar cualquier tipo de material.**

La herramienta está diseñada para montarla en una máquina de demolición mediante corte de las estructuras metálicas.

La herramienta solo puede usarse con las máquinas enumeradas a continuación.

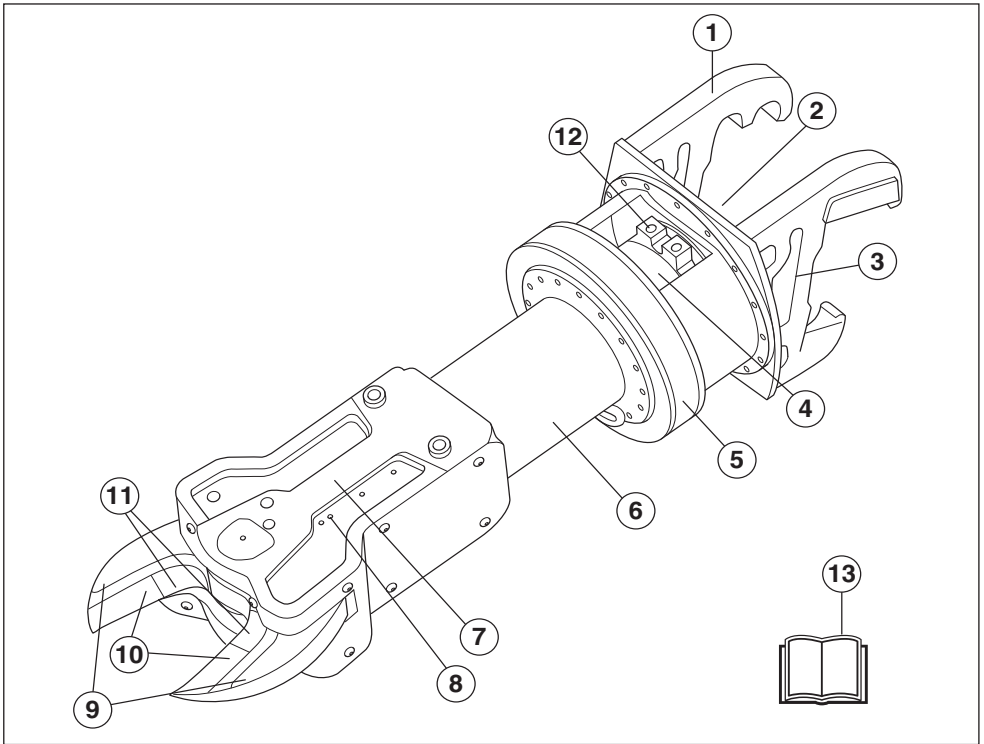
	DSS200
DXR310	X
DXR300	X
DXR270	X
DXR250	X
DXR140*	X

\*Se requiere placa adaptadora o manguitos adaptadores independientes.

La máquina está destinada al uso por operadores experimentados, en aplicaciones industriales.



# PRESENTACIÓN



## ¿Qué es qué en la herramienta?

- |  |   |
|--|---|
| 1 Acoplamiento de la herramienta               | 8 Punto de lubricación                  |
| 2 Conexión hidráulica para la función de corte | 9 Mordazas de la cizalla                |
| 3 Punto de elevación                           | 10 Cizalla, externa                     |
| 4 Rotor  | 11 Cizalla, interna                     |
| 5 Cojinetes                                    | 12 Conexiones hidráulicas para el rotor |
| 6 Cilindro                                     | 13 Manual de instrucciones              |
| 7 Carcasa de la cizalla                        |   |

# MONTAJE Y AJUSTES

## Generalidades



**¡ATENCIÓN!** Compruebe que la herramienta se ha montado de forma correcta y segura. Si una herramienta queda suelta puede provocar daños personales.

Asegúrese de que el rendimiento de la herramienta y de la máquina (peso, presión hidráulica, flujo, etc.) son compatibles.

Procure que no entre suciedad en el sistema hidráulico:

- Limpiando la suciedad de los acoplamientos antes del montaje o el desmontaje.
- Colocando protectores de polvo en los acoplamientos hidráulicos de la máquina cuando no haya ninguna herramienta montada.
- Asegurándose de que las mangueras de la herramienta están siempre acopladas cuando la herramienta no está conectada a la máquina.

## Montaje de la herramienta en la máquina

- Consulte el manual de instrucciones de la máquina de demolición.

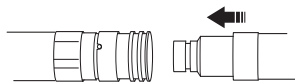
## Conexión de las mangueras hidráulicas



**¡NOTA!** Los acoplamientos de la manguera y el conducto pueden permanecer presurizados aunque el motor esté apagado. El cable de alimentación también puede permanecer desconectado. Tenga siempre en cuenta que las mangueras hidráulicas están presurizadas y ábralas siempre con mucho cuidado. Libere la presión del sistema de brazo colocándolo en el suelo y apague el motor eléctrico antes de desconectar las mangueras. Tenga cuidado cuando desmonte las conexiones y utilice equipos de protección personal apropiados.

Las mangueras hidráulicas están equipadas con acoplamientos de bayoneta con descompresión. Esto facilita el montaje de las mangueras aunque la presión esté retenida.

- Conecte la conexión macho de la herramienta a la conexión hembra de la máquina. La tuerca encajará cuando se haya montado correctamente. Las conexiones se fijan girando el manguito exterior del acoplamiento hembra para apartar la ranura de la bola.



- Conecte la conexión hembra de la herramienta a la conexión macho de la máquina.
- Arranque el motor.
- Abra y cierra las cizallas metálicas 5 o 6 veces.
- Pare el motor. Seleccione la posición «0» del interruptor principal.
- Compruebe que no haya fugas.

## Desacoplar las mangueras hidráulicas

- Abra la mordaza al máximo para bajar totalmente los cilindros hidráulicos.
- Pare el motor.
- Gire el manguito externo hasta que la ranura coincida con la bola y empújela para desconectar la conexión.
- Extraiga la herramienta de la máquina. Consulte el manual de instrucciones de la máquina de demolición.

# FUNCIONAMIENTO

## Equipo de protección

### Generalidades

- No use nunca una máquina si no tiene posibilidad de pedir auxilio si se produce un accidente.

### Equipo de protección personal

Para trabajar con la máquina debe utilizarse un equipo de protección personal homologado. El equipo de protección personal no elimina el riesgo de lesiones, pero reduce su efecto en caso de accidente. Pida a su distribuidor que le asesore en la elección del equipo.



**¡ATENCIÓN! Cuando la máquina esté en uso puede generar polvo y vapores con productos químicos perniciosos. Averigüe la indole del material de trabajo y utilice una máscara contra polvo o respiratoria adecuada. El uso de una máscara facial es especialmente importante cuando se trabaja en interiores debido a la ventilación limitada. En algunas situaciones también puede ser apropiado aplicar agua para reducir la formación de polvo.**

**La exposición prolongada al ruido puede causar daños crónicos en el oído. Por consiguiente, use siempre protectores auriculares homologados. Cuando use protección auditiva preste siempre atención a las señales o llamados de advertencia. Sáquese siempre la protección auditiva inmediatamente después de parar el motor.**

Las sustancias químicas como agentes desengrasantes, lubricantes y líquidos hidráulicos pueden provocar alergias con el contacto repetido con la piel. Utilice equipos de protección para evitar el contacto con la piel.

Cuando la máquina esté en uso puede generar polvo y vapores con productos químicos perniciosos. Averigüe la indole del material de trabajo y utilice una máscara contra polvo o respiratoria adecuada.

El uso de una máscara facial es especialmente importante cuando se trabaja en interiores debido a la ventilación limitada. En algunas situaciones también puede ser apropiado aplicar agua para reducir la formación de polvo.

Utilice siempre:

- Casco protector homologado
- Protectores auriculares
- Protección ocular homologada. Si se utiliza visor, deben utilizarse también gafas protectoras homologadas. Por gafas protectoras homologadas se entienden las que cumplen con la norma ANSI Z87.1 para EE.UU. o EN 166 para países de la UE. El visor debe cumplir con la norma EN 1731.
- Máscara respiratoria
- Guantes resistentes de agarre seguro.
- Prendas de vestir ceñidas, resistentes y cómodas que permitan una libertad de movimientos total.
- Botas con puntera de acero y suela antideslizante.

Tener en cuenta que las ropas, el pelo largo y las joyas pueden atascarse en piezas móviles.

### Otros equipos de protección



**¡NOTA! Mientras trabaja con la máquina, pueden producirse chispas que podrían ocasionar un incendio. Tenga siempre a mano herramientas para la extinción de incendios.**

- Extintor de incendios
- Tenga siempre a mano el equipo de primeros auxilios.
- Utilice un útil de levantamiento apropiado para fijar y elevar partes pesadas de la máquina.

## Instrucciones generales de seguridad



**¡ATENCIÓN!** Lea todas las advertencias e instrucciones de seguridad. El incumplimiento de las advertencias e instrucciones de seguridad puede provocar incendios o daños graves.

**Asegúrese de que no haya personas desautorizadas en la zona de trabajo, de lo contrario, se corre el riesgo de ocasionar graves daños personales.**

Este apartado trata las normas de seguridad básicas para trabajar con el dispositivo. Esta información no sustituye en ningún caso los conocimientos y la experiencia de un profesional. Acordone la zona de trabajo.

- Lea detenidamente el manual de instrucciones y asegúrese de entender su contenido antes de utilizar la máquina. **Conserve todas las advertencias e instrucciones para su consulta.**
- Esta máquina se utiliza en combinación con otros productos. Lea detenidamente el manual que se suministra con los productos y asegúrese de que entiende las instrucciones antes de utilizar la máquina.
- Tenga en cuenta que es usted, como usuario, el responsable de no exponer a riesgos o accidentes a las personas y a su propiedad.
- Todos los operadores deben ser formados en el empleo de la máquina. El propietario es responsable de la formación de los operadores.
- La máquina debe mantenerse limpia. Los letreros y las pegatinas deben ser legibles en su totalidad. Cambiar las etiquetas desgastadas o dañadas.



**¡ATENCIÓN!** La máquina, si se utiliza de forma errónea o descuidada, puede ser una herramienta peligrosa que puede causar daños graves e incluso la muerte al usuario y a otras personas.

**No permita bajo ningún concepto el empleo o mantenimiento de la máquina por los niños u otras personas no instruidas en el manejo de la misma. Nunca deje que terceros utilicen la máquina sin asegurarse primero de que hayan entendido el contenido de este manual de instrucciones.**

**Nunca utilice la máquina si está cansado, si ha ingerido alcohol o si toma medicamentos que puedan afectarle la vista, su capacidad de discernimiento o el control del cuerpo.**



**¡ATENCIÓN!** Las modificaciones y/o el uso de accesorios no autorizados comportan riesgo de daños personales graves y peligro de muerte para el usuario y otras personas.

**No modifique nunca esta máquina de forma que se desvíe de la versión original, y no la utilice si parece haber sido modificada por otras personas.**

**No utilice nunca una máquina defectuosa. Lleve a cabo las comprobaciones de seguridad y siga las instrucciones de mantenimiento y servicio de este manual. Algunas medidas de mantenimiento y servicio deben ser efectuadas por especialistas formados y cualificados. Consulte las instrucciones del apartado Mantenimiento.**

**Utilizar siempre recambios originales.**

## Emplee siempre el sentido común

Es imposible abarcar todas las situaciones imaginables que se pueden producir al utilizar una taladradora. Proceder siempre con cuidado y emplear el sentido común. Si se encuentra en alguna situación que le haga sentirse inseguro, deténgase y consulte con un experto. Consulte a su distribuidor, al taller de servicio técnico o a un usuario experimentado. No emplee la máquina en aplicaciones para las que no se considere plenamente cualificado.

## Seguridad en el trabajo

### Seguridad en el área de trabajo

#### Zona de riesgo de la máquina

Cuando se realizan los trabajos, no se permite que ninguna persona permanezca en la zona de riesgo de la máquina. Esto también se aplica al operario.

La zona de trabajo está limitada por el alcance de la máquina. Sin embargo, la zona de riesgo varía en función del método de trabajo, el objeto de trabajo, la superficie, etc. Estudie los posibles riesgos antes de iniciar los trabajos. Si las condiciones cambian durante el transcurso de los trabajos, debe redefinir la zona de riesgo.

#### Lugar de trabajo

- Defina y acordone la zona de riesgo. Cuando se realizan los trabajos, no se permite que ninguna persona permanezca en la zona de riesgo de la máquina.
- Controle que la zona de trabajo esté bien iluminada para lograr un entorno seguro.
- La máquina puede controlarse remotamente a largas distancias. No utilice la máquina a menos que tenga una supervisión clara de esta y de la zona de riesgo.
- No empiece a trabajar con la máquina hasta que haya limpiado la zona de trabajo de posibles obstáculos.
- Manténgase alerta cuando trabaje en entornos donde exista un riesgo sustancial de deslizamiento debido a desnieves, materiales sueltos, aceite, hielo o similares.
- Inspeccione las condiciones del suelo, las estructuras que soportan la carga, etc. para impedir la caída de materiales, máquinas y empleados, así como para mitigar cualquier riesgo antes de iniciar los trabajos.
- Cuando trabaje a grandes alturas, como encima de tejados, plataformas o similares, aumente el tamaño de la zona de riesgo. Defina y acordone la zona de riesgo a nivel del suelo y asegúrese de que ningún material puede desprenderse y provocar lesiones.
- No utilice la máquina en entornos donde exista riesgo de explosión. Tenga en cuenta el riesgo de formación de chispas cuando trabaje en entornos inflamables.
- Compruebe y señalice la ruta de los cables de electricidad y los conductos.
- El aire en espacios cerrados puede ser dañino para la salud debido, por ejemplo, a la presencia de polvo y gases. Utilice equipos de protección y compruebe que existe una ventilación suficiente.

### Seguridad personal

- Nunca utilice la máquina si está cansado, si ha ingerido alcohol o si toma medicamentos que puedan afectar la vista, su capacidad de discernimiento o el control del cuerpo.
- Utilice el equipo de protección personal. Vea las instrucciones bajo el título "Equipo de protección personal".
- Una maniobra incorrecta o incidente imprevisible puede provocar un derrumbe. Nunca permanezca debajo del objeto de trabajo.
- Nunca permanezca donde haya riesgo de ser aplastado. La máquina puede cambiar rápidamente de posición. Nunca permanezca debajo de un brazo elevado, incluso si la máquina está apagada.

- Reduzca el riesgo cuando trabaje solo comprobando que es posible emitir una alarma de emergencia a través del teléfono móvil u otro equipo.
- Las personas y los animales pueden distraer y hacer perder el control de la máquina. Por consiguiente, el operador debe estar siempre concentrado en su trabajo. Nunca permita que los niños manejen la máquina.
- Trabaje siempre de modo que pueda acceder fácilmente a la parada de emergencia.

### Seguridad hidráulica

- Riesgo de incendio. El aceite hidráulico, las mangueras y las conexiones pueden alcanzar temperaturas muy elevadas con la herramienta conectada o sin ella. Utilice un equipo de protección personal adecuado.
- Antes de utilizar el sistema hidráulico, espere a que la máquina se haya enfriado.
- Compruebe que todos los acoplamientos y conexiones, y las mangueras hidráulicas están intactos.
- Mantenga limpias de suciedad las mangueras y conexiones hidráulicas.
- No maltrate las mangueras.
- No utilice mangueras torcidas, gastadas o defectuosas.
- Asegúrese de que ninguna de las mangueras roza contra bordes afilados. No olvide el riesgo de los chorros abrasivos.
- Ajuste la longitud de las mangueras hidráulicas de forma que nunca queden extendidas por completo.
- Procure que la manguera no esté torcida durante el montaje.
- Evite hacer curvas marcadas con la manguera.
- Compruebe que las mangueras estén conectadas adecuadamente en la herramienta y que las conexiones hidráulicas cierren como es debido antes de presurizar el sistema hidráulico. Las conexiones se fijan girando el manguito exterior del acoplamiento hembra para apartar la ranura de la bola. Las mangueras de presión del sistema deben conectarse siempre en la entrada de la herramienta. Las mangueras de retorno del sistema deben conectarse siempre en la salida de la herramienta. Si se confunden las conexiones, la herramienta funcionará en sentido inverso, con el riesgo consiguiente de daños personales.
- Asegúrese de que no existen fugas en los conectores de la manguera, los acoplamientos y los cilindros. Una grieta o rotura puede producir una "inyección de aceite" en el cuerpo o daños personales graves de otro tipo.
- No hacer la búsqueda de fugas con la mano. El contacto con una fuga puede comportar daños personales graves causados por la presión alta del sistema hidráulico.
- No se debe sobrepasar el caudal ni la presión de aceite especificados para las herramientas que se utilizan. Un caudal o presión demasiado altos pueden causar fugas o explosión.

# FUNCIONAMIENTO

## Utilización con la herramienta montada en la máquina

- Asegúrese de que todos los dispositivos de seguridad están instalados y funcionan correctamente; sustitúyalos si están dañados.
- Définissez et délimitez la zone de risque. Personne n'est autorisé dans la zone de risque de la machine lorsque celle-ci est en marche. Cette zone peut varier au cours de l'utilisation de la machine. Ceci s'applique également à l'utilisateur.
- Mantenga bajo vigilancia la máquina siempre que el motor esté en marcha.
- Parar siempre la máquina antes de trasladarla.
- Desenchufar siempre el contacto para paradas prolongadas del trabajo.
- Compruebe que todas las juntas, conexiones y cables están intactos y limpios. Si surge una situación de emergencia de cualquier tipo, pulse el botón rojo de parada de emergencia.
- Mantener todas las piezas en perfecto estado y comprobar que todos los elementos de fijación estén bien apretados.
- El usuario sólo puede efectuar los trabajos de mantenimiento y servicio descritos en este manual. Los trabajos de mayor envergadura debe efectuarlos un taller de servicio oficial.
- Utilice equipos de protección personal y dispositivos para fijar mecánicamente los componentes de la máquina durante las tareas de mantenimiento y reparación.
- Si no es necesario encender la máquina para llevar a cabo operaciones de reparación o localización de fallos, desconecte el cable de alimentación y colóquelo de forma que no pueda conectarse por error.
- Los acoplamientos de la manguera y el conducto pueden permanecer presurizados aunque el motor esté apagado. Trabaje siempre teniendo en cuenta que las mangueras tienen presión cuando las desmonte. Tenga cuidado cuando desmonte las conexiones y utilice equipos de protección personal apropiados.
- Utilice un útil de levantamiento apropiado para fijar y elevar partes pesadas de la máquina.
- Diversos componentes se calientan durante los trabajos realizados con la máquina. No inicie ninguna tarea de mantenimiento o reparación hasta que la máquina se haya enfriado.
- Cuando complete los trabajos, opere el brazo para que descanse en el suelo antes de apagar la máquina.

## Técnica básica de trabajo



**¡ATENCIÓN!** Está prohibido utilizar la herramienta para elevar, empujar, tirar, golpear o transportar cualquier tipo de material.

**Nunca se apoye en la cizalla para levantar o mover la máquina operativa.**



**¡NOTA!** Cortar con las puntas doblará las hojas y acortará su vida útil.

**Cortar alambre de acero, acero endurecido o chapa de acero fina puede dañar las hojas de la cizalla y los cojinetes de las hojas.**

## Transporte y almacenamiento

### Elevación de la herramienta

- Cuando se eleva la herramienta existe un riesgo de provocar daños en las personas o las máquinas colindantes. Defina la zona de riesgo y compruebe que no haya nadie presente en dicha zona cuando realice la elevación.
- Utilice un útil de levantamiento apropiado para fijar y elevar partes pesadas de la máquina.
- El equipo de elevación debe montarse en todos los puntos de elevación de la máquina.

### Fijación de la carga

- Fije la herramienta en un palé y manipúlela con una carretilla elevadora.
- Sujete bien el equipo durante el transporte para evitar daños y accidentes.

### Transporte

- Puede transportar la herramienta montada en la máquina a distancias cortas y a poca velocidad. Repliegue el sistema de brazo. El centro de gravedad debe estar lo más cerca posible del centro de la máquina.
- Retire la herramienta de la máquina para la carga o descarga con rampa.

### Almacenaje

- Extraiga la herramienta de la máquina.
- Almacene las herramientas de forma segura e inaccesible para las personas no autorizadas. Compruebe que se encuentran en una posición estable y no pueden volcar. Si las herramientas se colocan a gran altura o sobre una pendiente, debe sujetarlas para que no puedan moverse ni caerse. Proteja los acoplamientos hidráulicos de las herramientas de la suciedad y posibles daños.
- Almacene la cortadora en lugar seguro fuera del alcance de los niños y personas no calificadas para su uso.
- Guarde la máquina y el equipo en un lugar seco y protegido de la escarcha.

# MANTENIMIENTO

## Generalidades



**¡ATENCIÓN!** El usuario sólo puede efectuar los trabajos de mantenimiento y servicio descritos en este manual. Los trabajos de mayor envergadura debe efectuarlos un taller de servicio oficial.

Todos los procedimientos descritos en este apartado deben realizarse con la herramienta desmontada y en el suelo.

Utilice equipos de protección personal y dispositivos para fijar mecánicamente los componentes de la máquina durante las tareas de mantenimiento y reparación.

La vida útil de la máquina puede acortarse y el riesgo de accidentes puede aumentar si el mantenimiento de la máquina no se hace de forma adecuada y si los trabajos de servicio y/o reparación no se efectúan de forma profesional. Para más información, consulte con el taller de servicio oficial más cercano.

- Encargue al distribuidor de Husqvarna la revisión regular de la cortadora y los ajustes y reparaciones necesarios.

## Programa de mantenimiento

En el programa de mantenimiento podrá ver qué piezas de la máquina requieren mantenimiento y cada cuánto tiempo deberá realizarse. Los intervalos se calculan en función del uso diario de la máquina y pueden depender de la velocidad de uso.

### Mantenimiento diario

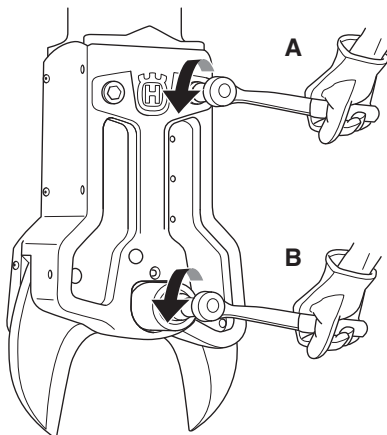
Limpieza
Inspección general
Cuchillas
Lubricación

## Limpieza

- Límpielos con un trapo o un cepillo.
- Puede limpiar en profundidad la herramienta con agua y detergente.

## Inspección general

- Compruebe que no esté dañada ni desgastada.
- Compruebe que todos los acoplamientos y conexiones, y las mangueras hidráulicas están intactos. Cámbielas si es necesario.
- Asegúrese de que no hay pernos flojos. Apriete los pernos con una llave dinamoétrica si fuera necesario.

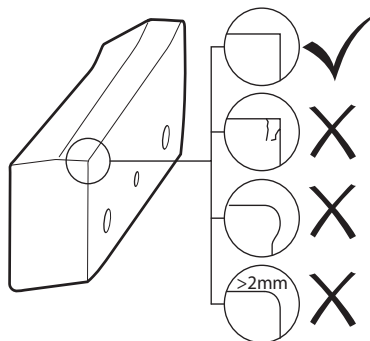


	Par, Nm	Tamaño llave, mm/pulg.	Cantidad
A	380	17	2
B	140	55	1

## Cuchillas

Utilice siempre piezas de repuesto originales.

- Compruebe las cuchillas. Las hojas deben cambiarse cuando más de 2 mm de radio esté agrietado.



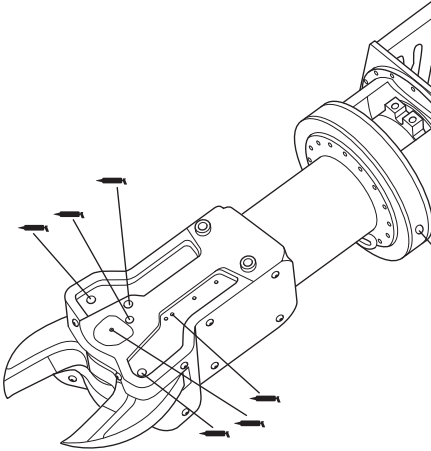
**AVISO** Unas cizallas dañadas pueden provocar daños en la herramienta. No utilice las cuchillas si están agrietadas o dañadas.

Inspeccione el desgaste en la placa de protección del cabezal del cilindro cuando cambie las hojas y cámbiela si fuera necesario.

## Lubricación

La imagen muestra todos los puntos de lubricación. Limpie la boquilla. Sustituya las boquillas rotas u obturadas.

Use grasa de lubricación según las especificaciones de la tabla de la sección "Datos técnicos".



## Almacenamiento prolongado

Asegúrese de que la herramienta está limpia y que se realiza un mantenimiento completo antes de su almacenamiento por un periodo de tiempo prolongado.

## Producto desgastado

Esta herramienta cumple los requisitos necesarios para durar muchos años. Así, se reduce el impacto de la máquina en el medio ambiente. Realice las operaciones de servicio y mantenimiento según las instrucciones de este manual. Esto ayudará a que la herramienta dure más.

Cuando la herramienta llegue al final de su vida útil, deberá ser reciclada convenientemente.

Cumpla la normativa local de reciclaje y eliminación.



# MANTENIMIENTO

## Tabla de localización de fallos



**¡ATENCIÓN!** La mayoría de accidentes con máquinas se producen durante la localización de fallos, reparación y mantenimiento, ya que el personal tiene que localizar por sí mismo la zona de riesgo de la máquina. Evite los accidentes estando alerta y planificando y preparando los trabajos con antelación.

Si no es necesario encender la máquina para llevar a cabo operaciones de reparación o localización de fallos, desconecte el cable de alimentación y colóquelo de forma que no pueda conectarse por error.

Problema	Causa	Posible acción
Rendimiento reducido	Flujo hidráulico o presión hidráulica insuficiente.	Asegúrese de que todas las mangueras hidráulicas y todas las conexiones estén intactas y correctamente conectadas.
		Error en el sistema hidráulico.*
Vibraciones	Faltan tornillos y pernos o estos están sueltos.	Compruebe el par de apriete de los pernos y los tornillos. Sustituya los tornillos que faltan.*
Las cizallas no se abren/cierran.	Falta flujo hidráulico o presión hidráulica.	Error en el sistema hidráulico.*
El funcionamiento de las cizallas está invertido	Inversión de la manguera de entrada y de retorno.	Conecte la manguera de entrada a la toma de la herramienta y la manguera de retorno a la salida de la herramienta.
Fuga de aceite	Conexiones sueltas.	Apriete las conexiones.
	Mangueras o acoplamientos dañados.*	Sustituya las mangueras o acoplamientos dañados.*

\*Lo realiza un taller oficial.

# DATOS TECNICOS

## Datos técnicos

	<b>DSS200</b>
<b>Sistema hidráulico</b>	
Máxima presión de trabajo, PSI / bar	3626/250
Máximo caudal de aceite, g/min / l/min	19,8 / 75
<b>Dimensiones</b>	
Peso, lb/kg	408 / 185
Longitud, pulgadas/mm	40,2 / 1019
Longitud (con placa de montaje), mm/pulg.	47,8 / 1212
Anchura, pulgadas/mm	13 / 330
Altura, pulgadas/mm	17,1 / 423
Distancia máx. entre las puntas, pulgadas/mm	7,9 / 200
Ángulo de rotación	Rotación hidráulica de 360°

## Lubricante

	Calidad	Estándar
Todos los puntos de lubricación	NLGI 2	ASTM D217
	ISO-L-XCCEB 2	ISO 6743-9
	KPF2N-25	DIN 51502

## Rendimiento

Profundidad de la mordaza, pulgadas/mm	6,3 / 158
Tiempo de cierre (caudal de aceite 65 l/min), s	2,0
Tiempo de apertura (caudal de aceite 65 l/min), s	1,5
Fuerza máx. en parte interior de la hoja, t/kN	85,7 / 841
Fuerza máx. en centro de la hoja, t/kN	50 / 490

## Dimensiones de corte máx. (acero 235 MPa/34 ksi)

A	Vigas/perfiles, pulg./mm	IPE 120 (4,7x2,5 / 120x64)
B	Barra de hierro cuadrado, pulg./mm	1,18x1,18 / 30x30
C	Tubo, pulg./mm	2,95x0,20 / 75x5
D	Barra de refuerzo*, pulg./mm.	1/25
E	Tubo cuadrado, pulg./mm	2,4x2,4x0,2/60x60x5
F	Perfil en U, pulg./mm	UPE 100 (2,2x3,9 / 55x100)

\*Calidad máxima: 500 MPa/75 ksi



---

# DECLARACIÓN DE GARANTÍA PARA EE. UU.

---

## POLÍTICA DE GARANTÍA

Todas las solicitudes de garantía se determinarán tras una inspección de las instalaciones correspondientes. Para toda reclamación de garantía se requerirá una autorización de devolución de productos (RGA). Póngase en contacto con el Departamento de servicio al cliente de Husqvarna llamando al 800-845-1312 para solicitar dicha autorización. El cliente deberá pagar los portes previamente y asumir cualquier gasto de mano de obra necesario para devolver o sustituir un producto para el que se ha solicitado una evaluación de garantía. Husqvarna pagará los gastos de envío de los productos reparados o nuevos aprobados.

## EQUIPO

El equipo fabricado por Husqvarna está garantizado frente a defectos de fabricación para el uso normal durante un periodo de dos (2) años desde la fecha de compra por parte del cliente original. **Los fabricantes de componentes ofrecen periodos de garantía específicos. Llame al servicio técnico (800-288-5040) para obtener más información.**

Nuestras obligaciones en virtud de la presente garantía quedan expresamente limitadas a la sustitución o reparación, en Husqvarna Construction Products North America (Olathe, Kansas 66061) o en el servicio técnico que designemos, de las piezas que se consideren defectuosas tras su inspección.

Esta garantía no es aplicable a los defectos causados por daños, uso no razonable o reparaciones defectuosas no realizadas por el personal del servicio técnico autorizado por Husqvarna, o defectos causados por no haber realizado un mantenimiento razonable cuando el equipo estaba en posesión del cliente. Además, la garantía quedará anulada si el producto o cualquiera de sus componentes ha sido alterado o modificado por el cliente, así como si ha sido usado de manera inadecuada o con herramientas que no hayan sido recomendadas por el fabricante.

**Excepciones:** Perforadoras: 3 meses. Sierras de pared: 1 año. Cortadoras: 3 meses. DM 230: 1 año. DM 225: 3 meses. Sistemas Gyro: 1 año. Sistema CD 40: 1 año. DS 160 C: 1 año. Smart box: 1 año. CS 2515: 1 año. pp 455 E: 1 año. PP 345 E: 1 año. HP 40: 1 año.

**Materiales fungibles:** Filtros, bujías, cojinetes\*, correas, ruedas\*\* y almohadillas de desgaste.

\*Excepto en el sistema IntelliSeal™. \*\*Excepto en el deslaminado.

**US - Original instructions, CA - Instructions d'origine , ES - Instrucciones originales**

**1156514-49**



**2014-08-12**