

**Operator's manual Manual de instrucciones
Instruções para o uso Οδηγίες χρήσεως**

PP65



GB ES PT GR

Please read the operator's manual carefully and make sure you understand the instructions before using the machine.

Lea detenidamente el manual de instrucciones y asegúrese de entender su contenido antes de utilizar la máquina.

Leia as instruções para o uso com toda a atenção e compreenda o seu conteúdo antes de fazer uso da máquina.

Διαβάστε προσεκτικά τις Οδηγίες χρήσεως και κατανοήστε το περιεχόμενο πριν χρησιμοποιήσετε το μηχάνημα .

KEY TO SYMBOLS

Symbols on the machine

WARNING! The machine can be a dangerous tool if used incorrectly or carelessly, which can cause serious or fatal injury to the operator or others.

Please read the operator's manual carefully and make sure you understand the instructions before using the machine.

Always wear:

- Approved protective helmet
- Approved hearing protection
- Protective goggles or a visor
- Breathing mask

Inspection and/or maintenance should be carried out with the motor switched off and the plug disconnected.

This product is in accordance with applicable EC directives.

Environmental marking. Symbols on the product or its packaging indicate that this product cannot be handled as domestic waste. It must instead be submitted to an appropriate recycling station for the recovery of electrical and electronic equipment.

By ensuring that this product is taken care of correctly, you can help to counteract the potential negative impact on the environment and people that can otherwise result through the incorrect waste management of this product.

For more detailed information about recycling this product, contact your municipality, your domestic waste service or the shop from where you purchased the product.

Other symbols/decals on the machine refer to special certification requirements for certain markets.



Explanation of warning levels

The warnings are graded in three levels.

WARNING!



WARNING! Used if there is a risk of serious injury or death for the operator or damage to the surroundings if the instructions in the manual are not followed.

CAUTION!



CAUTION! Used if there is a risk of injury to the operator or damage to the surroundings if the instructions in the manual are not followed.

NOTICE!

NOTICE! Used if there is a risk of damage to materials or the machine if the instructions in the manual are not followed.

CONTENTS

Contents

KEY TO SYMBOLS

Symbols on the machine	2
Explanation of warning levels	2

CONTENTS

Contents	3
----------------	---

PRESENTATION

Dear Customer,	4
Design and features	4
PP65	4

WHAT IS WHAT?

What is what on the power pack?	5
---------------------------------------	---

MACHINE'S SAFETY EQUIPMENT

General	6
---------------	---

ASSEMBLING AND ADJUSTMENTS

Install the power unit	7
Connect a power source	7
Software settings	7
Before starting	7

OPERATING

General safety precautions	8
Protective equipment	9
Power pack safety precautions	10
Work safety	10

MENU SYSTEM

General	12
First start-up	12
Menu overview	13
Menu system explanation	14

MAINTENANCE

General	15
Daily maintenance	15
Air filter	15
Service	15
Error messages	16

TECHNICAL DATA

Technical data	17
Recommended cable dimensions	17
EC Declaration of Conformity	18

PRESENTATION

Dear Customer,

Thank you for choosing a Husqvarna product!

It is our wish that you will be satisfied with your product and that it will be your companion for a long time. A purchase of one of our products gives you access to professional help with repairs and services. If the retailer who sells your machine is not one of our authorised dealers, ask him for the address of your nearest service workshop.

This operator's manual is a valuable document. Make sure it is always at hand at the work place. By following its content (using, service, maintenance etc.) the life span and the second-hand value of the machine can be extended. If you will sell this machine, make sure that the buyer will get the operator's manual.

More than 300 years of innovation

Husqvarna AB is a Swedish company based on a tradition that dates back to 1689, when the Swedish King Charles XI ordered the construction of a factory for production of muskets. At that time, the foundation was already laid for the engineering skills behind the development of some of the world's leading products in areas such as hunting weapons, bicycles, motorcycles, domestic appliances, sewing machines and outdoor products.

Husqvarna is the global leader in outdoor power products for forestry, park maintenance and lawn and garden care, as well as cutting equipment and diamond tools for the construction and stone industries.

Owner responsibility

It is the owner's/employer's responsibility that the operator has sufficient knowledge about how to use the machine safely. Supervisors and operators must have read and understood the Operator's Manual. They must be aware of:

- The machine's safety instructions.
- The machine's range of applications and limitations.
- How the machine is to be used and maintained.

National legislation could regulate the use of this machine. Find out what legislation is applicable in the place where you work before you start using the machine.

The manufacturer's reservation

Subsequent to publishing this manual Husqvarna may issue additional information for safe operation of this product. It is the owner's obligation to keep up with the safest methods of operation.

Husqvarna AB has a policy of continuous product development and therefore reserves the right to modify the design and appearance of products without prior notice.

For customer information and assistance, contact us at our website: www.husqvarna.com

Design and features

This is a product included in a range of high frequency powered equipment for cutting, drilling and wall sawing. They are designed to cut hard materials like masonry and reinforced concrete and should not be used for any purpose not described in this manual.

Values such as high performance, reliability, innovative technology, advanced technical solutions and environmental considerations distinguish Husqvarna's products. Safe operation of this product requires the operator to read this manual carefully. Ask your dealer or Husqvarna should you need more information.

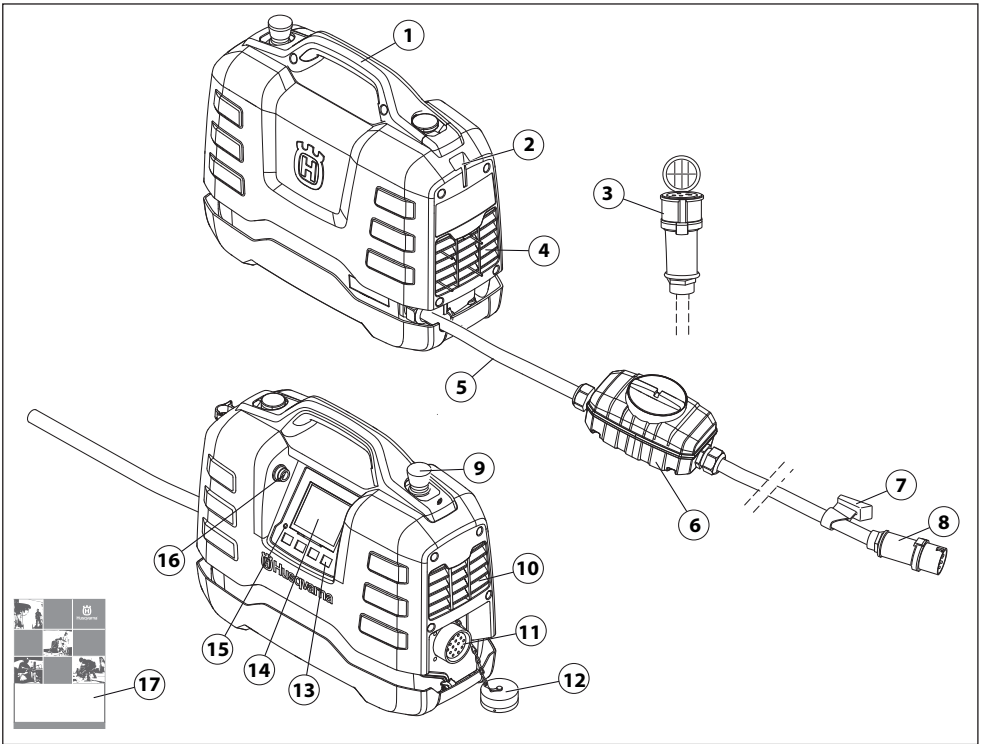
Some of the unique features of your product are described below.

PP65

The power unit is especially designed to drive High Frequency tools.

- The unit gives high power output and can use both 1- and 3-phase input, which makes it flexible and usable.
- The operator can easily make adjustments and monitor system information via the digital display on the unit.
- The design is lightweight, compact and ergonomic which makes the unit easy to transport.
- The unit is air-cooled

WHAT IS WHAT?



What is what on the power pack?

- | | |
|--------------------------------|--------------------------|
| 1 Handle | 10 Exhaust |
| 2 Place for cable holder | 11 Tool connection |
| 3 Adapter cable (Single-phase) | 12 Protective cover |
| 4 Cooling air intake | 13 Option keys |
| 5 Power cord | 14 Display |
| 6 Residual-current device | 15 Overvoltage indicator |
| 7 Cable holder | 16 USB connection |
| 8 Connector | 17 Operator's manual |
| 9 Emergency stop | |

MACHINE'S SAFETY EQUIPMENT

General



WARNING! Never use a machine that has faulty safety equipment! If your machine fails any checks contact your service agent to get it repaired.

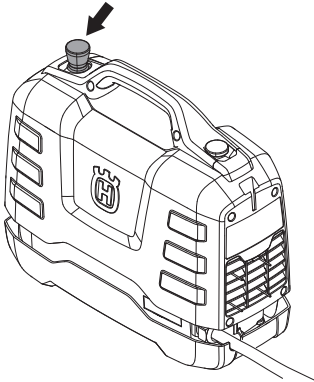
This section describes the machine's safety equipment, its purpose, and how checks and maintenance should be carried out to ensure that it operates correctly.

This machine is used in combination with other products. Please read the manual provided with the products carefully and make sure you understand the instructions before using the machine.

- Connect the power unit to a grounded outlet
- Connect the tool to be used.

Emergency stop

The emergency stop on the unit slows the connected tool and disconnects it from the power supply.

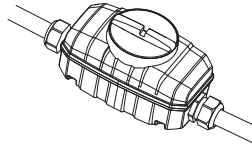


Testing the emergency stop

- Check that the emergency stop button is not pressed by turning it clockwise.
- Start the connected tool.
- Press the emergency stop and check that the connected tool stops.

Residual-current device

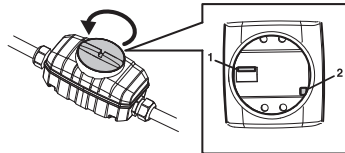
A residual-current device is fitted to protect operators in case an electrical fault should occur.



Check the residual-current device

Checking of the residual-current device must be done with the power unit connected to a 3-phase socket outlet.

- Connect the power unit to a grounded 3-phase outlet.
- Open the cover on the residual-current device to access the switch (1) and test button (2).



- Set the control in the residual-current device in position 1.
- Press the test button. The residual-current device must trigger to disconnect the unit from the power supply.
- Reset the residual-current device by first setting the switch to 0 and then to 1.
- Refit and tighten the cover.

The residual-current device must be tested every two weeks with the test button.

ASSEMBLING AND ADJUSTMENTS

Install the power unit

Place the power unit on the workplace, making sure that it is standing on a stable surface and that it is protected from water spray.

Connect a power source

For maximum performance, the power unit should be connected to an earthed 3-phase socket outlet with continuous voltage. For more information, see the "Technical data" section.

At lower voltage there is a linear reduction in available output down to 80%.

If a 3-phase electrical connection is not available, the power unit can also be connected to a 1-phase socket outlet.

Use the supplied adapter cable for 1-phase connection.

The output at 1-phase operation is substantially lower than at 3-phase operation.

For more information, see the "Technical data" section.

- During operation, fit together the covers for the cable and the power unit to avoid dirt entering the covers which could damage the connector.

A petrol or diesel driven generator can be used as a power source if sufficiently powerful. See typical generator operation cases in Technical Data. The generator must be grounded to safeguard the function of the power unit.

NOTICE! A generator which on some occasion generates an input voltage outside the voltage range specified in the technical data can damage the power unit.

Software settings

The following settings should be made before the power unit is commissioned. See instructions in the "Menu system" section for additional information.

- Set time and date. (SETTINGS>TIME & DATE)
- Select the required display language. (SETTINGS>SET LANGUAGE)
- Select the required units. (SETTINGS>SET UNITS)

Before starting



WARNING! Please read the operator's manual carefully and make sure you understand the instructions before using the machine.

Wear personal protective equipment. See instructions under the "Personal protective equipment" heading.

Make sure no unauthorised persons are in the working area, otherwise there is a risk of serious personal injury.

Check that the machine is assembled correctly and do not show any signs of damage.

Perform daily maintenance.

See instructions in the section "Maintenance".

OPERATING

General safety precautions



WARNING! Read all safety warnings and all instructions. Failure to follow the warnings and instructions may result in electric shock, fire and/or serious injury.

IMPORTANT! Save all warnings and instructions for future reference. The term "power tool" in the warnings refers to your mains-operated (corded) power tool or battery-operated (cordless) power tool.

Work area safety

- **Keep work area clean and well lit.** Cluttered or dark areas invite accidents.
- **Do not operate power tools in explosive atmospheres, such as in the presence of flammable liquids, gases or dust.** Power tools create sparks which may ignite the dust or fumes.
- **Keep children and bystanders away while operating a power tool.** Distractions can cause you to lose control.

Electrical safety

- **Power tool plugs must match the outlet. Never modify the plug in any way. Do not use any adapter plugs with earthed (grounded) power tools.** Unmodified plugs and matching outlets will reduce the risk of electric shock.
- **Avoid body contact with earthed or grounded surfaces, such as pipes, radiators, ranges and refrigerators.** There is an increased risk of electric shock if your body is earthed or grounded.
- **Do not expose power tools to rain or wet conditions.** Water entering a power tool will increase the risk of electric shock.
- **Do not abuse the cord. Never use the cord for carrying, pulling or unplugging the power tool. Keep cord away from heat, oil, sharp edges or moving parts.** Damaged or entangled cords increase the risk of electric shock.
- **When operating a power tool outdoors, use an extension cord suitable for outdoor use.** Use of a cord suitable for outdoor use reduces the risk of electric shock.
- **If operating a power tool in a damp location is unavoidable, use a residual current device (RCD) protected supply.** Use of an RCD reduces the risk of electric shock.

Personal safety

- **Stay alert, watch what you are doing and use common sense when operating a power tool. Do not use a power tool while you are tired or under the influence of drugs, alcohol or medication.** A moment of inattention while operating power tools may result in serious personal injury.
- **Use personal protective equipment. Always wear eye protection.** Protective equipment such as dust mask, non-skid safety shoes, hard hat, or hearing protection used for appropriate conditions will reduce personal injuries.
- **Prevent unintentional starting. Ensure the switch is in the OFF-position before connecting to power source and/or battery pack, picking up or carrying the tool.** Carrying power tools with your finger on the switch or energising power tools that have the switch on invites accidents.
- **Remove any adjusting key or wrench before turning the power tool on.** A wrench or a key left attached to a rotating part of the power tool may result in personal injury.
- **Do not overreach. Keep proper footing and balance at all times.** This enables better control of the power tool in unexpected situations.
- **Dress properly. Do not wear loose clothing or jewellery. Keep your hair, clothing and gloves away from moving parts.** Loose clothes, jewellery or long hair can be caught in moving parts.
- **If devices are provided for the connection of dust extraction and collection facilities, ensure these are connected and properly used.** Use of dust collection can reduce dust-related hazards.

OPERATING

Power tool use and care

- **Do not force the power tool. Use the correct power tool for your application.** The correct power tool will do the job better and safer at the rate for which it was designed.
- **Do not use the power tool if the switch does not turn it on and off.** Any power tool that cannot be controlled with the switch is dangerous and must be repaired.
- **Disconnect the plug from the power source and/or the battery pack from the power tool before making any adjustments, changing accessories, or storing power tools.** Such preventive safety measures reduce the risk of starting the power tool accidentally.
- **Store idle power tools out of the reach of children and do not allow persons unfamiliar with the power tool or these instructions to operate the power tool.** Power tools are dangerous in the hands of untrained users.
- **Maintain power tools. Check for misalignment or binding of moving parts, breakage of parts and any other condition that may affect the power tool's operation. If damaged, have the power tool repaired before use.** Many accidents are caused by poorly maintained power tools.
- **Keep cutting tools sharp and clean.** Properly maintained cutting tools with sharp cutting edges are less likely to bind and are easier to control.
- **Use the power tool, accessories and tool bits etc. in accordance with these instructions, taking into account the working conditions and the work to be performed.** Use of the power tool for operations different from those intended could result in a hazardous situation.

Service

- **Have your power tool serviced by a qualified repair person using only identical replacement parts.** This will ensure that the safety of the power tool is maintained.

Always use common sense

It is not possible to cover every conceivable situation you can face. Always exercise care and use your common sense. If you get into a situation where you feel unsafe, stop and seek expert advice. Contact your dealer, service agent or an experienced user. Do not attempt any task that you feel unsure of!

Protective equipment

General

Do not use the machine unless you are able to call for help in the event of an accident.

Personal protective equipment

You must use approved personal protective equipment whenever you use the machine. Personal protective equipment cannot eliminate the risk of injury but it will reduce the degree of injury if an accident does happen. Ask your dealer for help in choosing the right equipment.



WARNING! The use of products such as cutters, grinders, drills, that sand or form material can generate dust and vapours which may contain hazardous chemicals. Check the nature of the material you intend to process and use an appropriate breathing mask.



WARNING! Long-term exposure to noise can result in permanent hearing impairment. So always use approved hearing protection. Listen out for warning signals or shouts when you are wearing hearing protection. Always remove your hearing protection as soon as the engine stops.



WARNING! There is always a risk of crush injuries when working with products containing moving parts. Wear protective gloves to avoid body injuries.

Always wear:

- Protective helmet
- Hearing protection
- Protective goggles or a visor
- Breathing mask
- Heavy-duty, firm grip gloves.
- Tight-fitting, heavy-duty and comfortable clothing that permits full freedom of movement.
- Boots with steel toe-caps and non-slip sole.

Be careful as clothing, long hair, and jewellery can get caught in moving parts.

Other protective equipment



WARNING! Sparks may appear and start a fire when you work with the machine. Always keep fire fighting equipment handy.

- Fire fighting equipment
- Always have a first aid kit nearby.

OPERATING

Power pack safety precautions



WARNING! Read all safety warnings and all instructions. Failure to follow the warnings and instructions may result in electric shock, fire and/or serious injury.

This section describes basic safety directions for using the machine. This information is never a substitute for professional skills and experience.

- Please read the operator's manual carefully and make sure you understand the instructions before using the machine.
- Keep in mind that the operator is responsible for accidents or hazards occurring to other people or their property.
- All operators shall be trained in the use of the machine. The owner is responsible for ensuring that the operators receive training.
- The machine must be kept clean. Signs and stickers must be fully legible.



WARNING! The machine can be a dangerous tool if used incorrectly or carelessly, which can cause serious or fatal injury to the operator or others.

Never allow children or other persons not trained in the use of the machine to use or service it. Never allow anyone else to use the machine without first ensuring that they have read and understood the contents of the operator's manual.

Never use the machine if you are fatigued, while under the influence of alcohol or drugs, medication or anything that could affect your vision, alertness, coordination or judgement.



WARNING! Unauthorized modifications and/or accessories may lead to serious injury or death to the user or others.

Do not modify this product or use it if it appears to have been modified by others.

Never use a machine that is faulty. Carry out the safety checks, maintenance and service instructions described in this manual. Some maintenance and service measures must be carried out by trained and qualified specialists. See instructions under the Maintenance heading.

Always use genuine accessories.

Work safety

Work area safety

- Always check and mark out where gas pipes are routed. Cutting close to gas pipes always entails danger. Make sure that sparks are not caused when cutting in view of the risk of explosion. Remain concentrated and focused on the task. Carelessness can result in serious personal injury or death.
- Make sure that no pipes or electrical wires are routed in the work piece or in the working area.
- Make sure that electrical cables within the working area are not live.
- Never start to work with the machine before the working area is clear and you have a firm foothold.
- Do not use the machine in bad weather, such as dense fog, heavy rain, strong wind, intense cold, etc. Working in bad weather is tiring and can lead to dangerous conditions, e.g. slippery surfaces.

Electrical safety



WARNING! There is always a risk of shocks from electrically powered machines. Avoid unfavourable weather conditions and body contact with lightning conductors and metal objects. Always follow the instructions in the Operator's manual to avoid damage.



WARNING! Do not wash the machine with water, as water can enter the electrical system or the engine and cause damage to the machine or short circuit.

- Never use the tool without the ground fault circuit interrupter delivered with the tool.
- The machine should be connected to an earthed outlet socket.
- Check that the mains voltage corresponds with that stated on the rating plate on the machine.
- Check that the cord and extension cord are intact and in good condition.
- Never use the machine if any cable or plug is damaged, but hand it in to an authorized service workshop for repair.
- To avoid overheating do not use the extension cord while it is rolled up.

Personal safety

- Never leave the machine unsupervised with the motor running.
- Always unplug the power supply to the power pack for longer work breaks.
- Never work alone, always ensure there is another person close at hand. Apart from being able to receive help to assemble the machine, you can also get help if an accident should occur.
- People and animals can distract you causing you to lose control of the machine. For this reason, always remain concentrated and focused on the task.
- People that need to be in close proximity of the machine must wear hearing protection as the sound level when cutting exceeds 85 dB(A).
- Always work in a manner that permits easy access to the emergency stop. If an emergency situation should arise anyway, push the red emergency stop button on the power pack or the stop button on the remote control.

Use and care

This machine is only intended for use together with the intended Husqvarna products. All other use is forbidden.

- The machine is intended for use in industrial applications by experienced operators.
- Inspection and/or maintenance should be carried out with the motor switched off and the plug disconnected.
- Always switch off the machine before you move it.
- Observe care when lifting. You are handling heavy parts, which imply the risk of pinch injuries or other injuries.
- Never pull out the power cable without first switching off the power pack and waiting for the engine to come to a complete halt.
- Do not overload the machine. Overloading can damage the machine.
- Check that all couplings, connections and cables are intact and free from dirt.

MENU SYSTEM

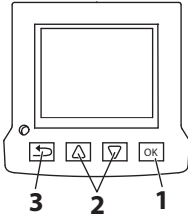
General

Display texts are illustrated in English in the manual, but will appear in the chosen language on the product display.

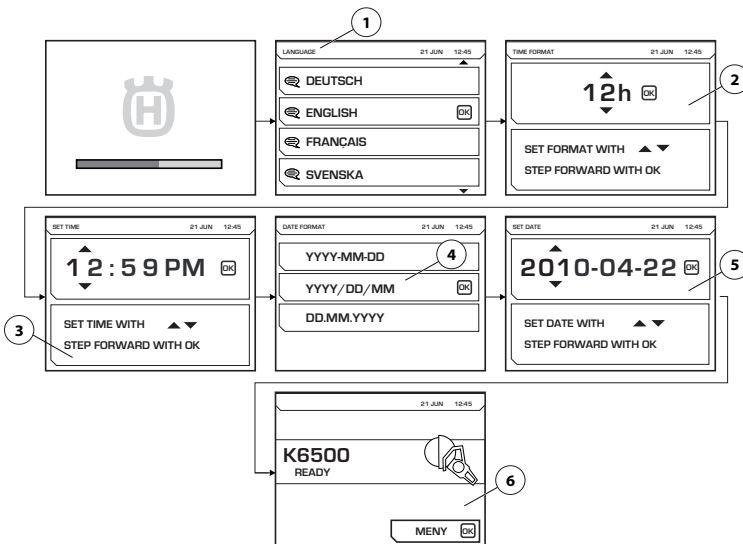
For more information on FreeRTOS, please see www.freertos.org

When K6500 is running the display will turn off on the power pack.

Use the arrow keys (2) to scroll in the menus and the "OK" button (1) to confirm the selection. Use the "back" button (3) to go back in the menus.



First start-up



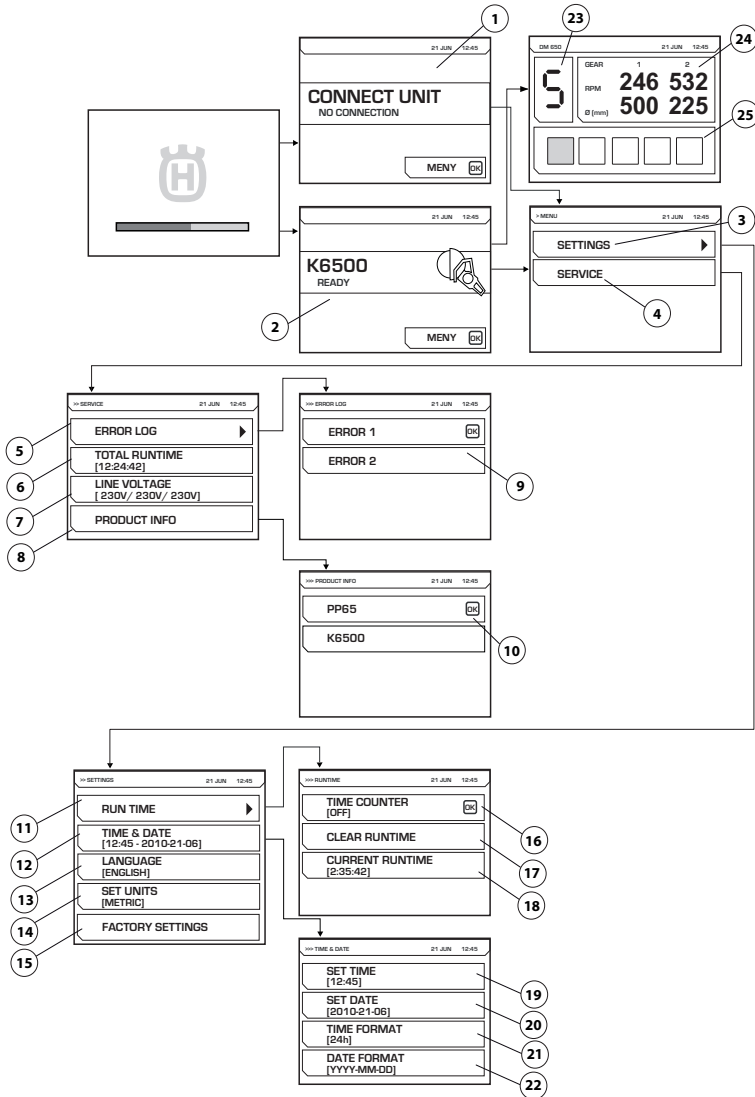
At the first start-up of the power pack the following settings must be made:

- LANGUAGE (1) Select the required display language.
- TIME FORMAT (2) Select the required time format.
- SET TIME (3) State the current time.
- DATE FORMAT (4) Select the required date format.
- SET DATE (5) State the current date.

When these settings have been made the main display is shown with information about the connected tool (6). Please observe, the illustration shows an example.

MENU SYSTEM

Menu overview



See following page for an explanation of each menu.

MENU SYSTEM

Menu system explanation

CONNECT UNIT (1)

This image is shown if the power unit is not connected to any tool. Connect the intended tool.

Electronic gear

When the intended tool is connected, the start screen (2) is displayed. Press the menu button to start the settings (3) and service (4) menus.

An illustration will be displayed when operating the DM650 showing the selected electronic gear (23), current rpm for mechanical gears 1 and 2, and recommended bore diameter for these gears (24). The current feeder load (25) of the drill will also be shown.

SETTINGS (3)

The "Settings" menu consists of sub-menus, which in turn consist of a number of part menus.

RUN TIME (11)

Run time

TIME COUNTER (16)

On activation, a stop-watch is started to count the time the tool is active.

CLEAR RUNTIME (17)

Used to reset the stop-watch.

CURRENT RUN TIME (18)

Current running time

TIME AND DATE (12)

Set time and date.

SET TIME (19)

State the current time.

SET DATE (20)

State the current date.

TIME FORMAT (21)

Select the required time format. Choose from between the following options:

- 12 h
- 24 h

DATE FORMAT (22)

Select the required date format. Choose from between the following options:

- YYYY-MM-DD
- YYYY/DD/MM
- DD/MM/YYYY

LANGUAGE (13)

Select the required display language.

FACTORY SETTING (15)

Resetting to factory defaults:

- Display language (English standard)
- Time format (12h standard)
- Date format (YYYY-MM-DD standard)

SERVICE (4)

The "Settings" menu consists of sub-menus, which in turn consist of a number of part menus.

ERROR LOG (5)

List of errors (9)

TOTAL RUNTIME (6)

The machine's total operating time is displayed.

VOLTAGE (7)

Connected input voltage of the machine.

PRODUCT INFO (8)

Information about the unit and the connected tool is shown (10).

MAINTENANCE

General



WARNING! The user must only carry out the maintenance and service work described in this Operator's Manual. More extensive work must be carried out by an authorized service workshop.

The life span of the machine can be reduced and the risk of accidents can increase if machine maintenance is not carried out correctly and if service and/or repairs are not carried out professionally. If you need further information please contact your nearest service workshop.

Daily maintenance

- Check that the machine's safety equipment is undamaged. See instructions in the section "Machine's safety equipment".
- Check that the cables including any extension leads are intact and in good condition.
- Always clean all the equipment at the end of the working day. Use a heavy-duty hand-held brush or a large paint brush.
- Make sure to keep the connectors and pins clean. Clean with a rag or brush.

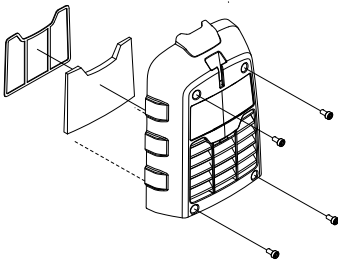
NOTICE! Do not use a high pressure washer to clean the machine. The high pressure jet can damage seals and lead to water and dirt permeating into the machine, resulting in serious damage.

Air filter

NOTICE! The air filter must not be cleaned or blown clean with compressed air. This will damage the filter. A blocked air filter can cause power unit overheating.

Check the air filter and replace if necessary.

- Dismantle the air filter cover. Use torx key no. 27.
- Unsnap the metal frame to access the cover.
- Change the filter.



Service

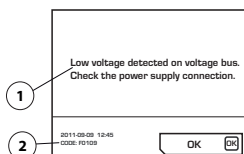


WARNING! All types of repairs may only be carried out by authorised repairmen. This is so that the operators are not exposed to great risks.

MAINTENANCE

Error messages

In case of any faults, a fault message (1) and a fault code (2) appears on the display.



Measures for acknowledging fault messages:

- Press 'OK' on the display or activate the trigger on the connected tool. No further action is required if the fault message is deleted.

If the system freezes and an acknowledgment can not be made: Pull out the connector from the earthed socket outlet, reconnect the power source. See instructions in the section "Assembling and adjustments".

If the fault persists, follow the instructions given in the troubleshooting guide or get in touch with an authorized dealer. Please observe, the illustration shows an example.

The power unit software can be updated. Contact your service agent for further information.

Troubleshooting schedule

Fault Code	Error messages	Cause	Steps
F0101	Over current detected	Active tool current too high	Contact your service workshop if the problem remains.
F0103	Fault detected in hardware	Hardware fault	Contact your service workshop if the problem remains.
F0104	Error detected on the voltage bus	Tool voltage error	Check the power supply
F0105	High voltage detected on voltage bus. Check the power supply connection.	Brakes applied too hard	Contact your service workshop if the problem remains.
F0106	Temperature in the IGBT module too high	Power pack overheated	Check the fan and filter and allow the system to cool down.
F0107	Emergency stop switch pressed	The emergency stop is pressed in.	Reset the emergency stop
FXX08*	High motor temperature detected	Tool motor temperature is too high	Increase the flow of water coolant. Refer to Technical Data in the instruction manual for the connected tool.
F0109	Low voltage detected on voltage bus. Check the power supply connection.	Internal power pack failure	Check input power or contact service
F0111	The clock has stopped, please correct it if necessary.	Clock stopped	Contact your service agent for a battery change.
F0112	Low input voltage detected	Input voltage too low	Check minimum input power in manual
F0113	High input voltage detected	Input voltage too high	Check maximum input power in manual
FXX14*	Tool temperature sensor error detected	Interruption or short circuit in the temperature sensor.	Contact your service agent.
F0118	Fault detected in hardware	Hardware fault	Contact your service workshop if the problem remains.
F0119	Temperature in the PP too high	Power pack overheated	Check the fan and filter and allow the system to cool down.

* XX different numbers depending on the tool that is connected to the power unit.

TECHNICAL DATA

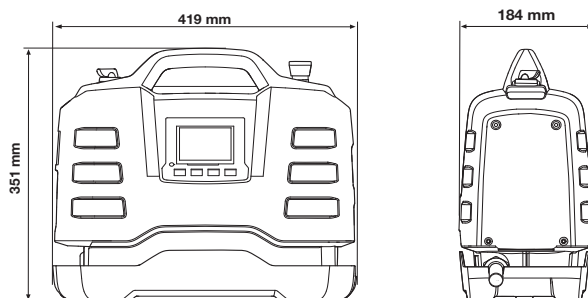
Technical data

Engine	PP65
Max. output, kW	6,5
Rated current 3-phase at 400V, A	12
Rated current 1-phase, A	15/16
3-phase voltage in, V	200-480, 50-60 Hz
1-phase voltage in, V	220-240, 50-60 Hz
Power supply	
3 phase	L1+L2+L3+N+PE/L1+L2+L3+PE
Single-phase	L+N+PE
Weight, kg/lbs	9,5/20,9

Typical generator operation cases

	PP65, output	Generator output voltage (V)	Minimum recommended generator output (kVA)
3 phase	Full power	3x400, 3x416, 3x440, 3x480	10
	Decreased power	3x208, 3x220, 3x240	
Single-phase	Decreased power	220-240	5

Dimensions



Recommended cable dimensions

NOTICE! Good motor performance depends on proper voltage. Extension cables that are too long and/or which have a gauge that is too small, reduce power to the motor under load, resulting in reduced output or malfunctions.

TECHNICAL DATA

EC Declaration of Conformity

(Applies to Europe only)

Husqvarna AB, S-561 82 Huskvarna, Sweden, tel: +46-36-146500, declares under sole responsibility that the power pack **Husqvarna PP65** from 2014's serial numbers and onwards (the year is clearly stated in plain text on the type plate with subsequent serial number) is in conformity with the requirements of the COUNCIL'S DIRECTIVES:

- of May 17, 2006 "relating to machinery" **2006/42/EC**.
- of December 15, 2004 "relating to electromagnetic compatibility" **2004/108/EC**.
- of December 12, 2006 "relating to electrical equipment" **2006/95/EC**.
- of June 08, 2011 on the 'restriction of use of certain hazardous substances' **2011/65/EU**

The following standards have been applied:

EN ISO 12100:2010, EN 55014-1:2006, EN 55014-2/A1:2001, EN 61000-3-2:2006, EN 6100-3-3:2008, EN 60745-1:2009

Gothenburg 6 February 2014



Helena Grubb

Vice President, Construction Equipment Husqvarna AB

(Authorized representative for Husqvarna AB and responsible for technical documentation.)

ACLARACIÓN DE LOS SÍMBOLOS

Símbolos en la máquina

¡ATENCIÓN! La máquina, si se utiliza de forma errónea o descuidada, puede ser una herramienta peligrosa que puede causar daños graves e incluso la muerte al usuario y a otras personas.

Lea detenidamente el manual de instrucciones y asegúrese de entender su contenido antes de utilizar la máquina.

Utilice siempre:

- Casco protector homologado
- Protectores auriculares homologados
- Gafas protectoras o visor
- Máscara respiratoria

El control y/o mantenimiento de la máquina debe hacerse con el motor parado y el enchufe desenchufado.

Este producto cumple con la directiva CE vigente.

Etiquetado ecológico. El símbolo en el producto o en su envase indica que no se puede tratar este producto como desperdicio doméstico. Deberá por lo tanto depositarse en un centro de recogida adecuado para el reciclado de equipos eléctricos y electrónicos.

Haciendo que este producto sea manipulado adecuadamente, se ayuda a evitar consecuencias negativas potenciales para el medio ambiente y las personas, lo que puede ocurrir con la manipulación inadecuada como residuos del producto.

Para obtener información más detallada sobre el reciclado de este producto, contacte con la oficina municipal local, con el servicio de eliminación de desperdicios domésticos o con la tienda donde compró el producto.

Los demás símbolos/etiquetas que aparecen en la máquina corresponden a requisitos de homologación específicos en determinados mercados.



Explicación de los niveles de advertencia

Las advertencias se clasifican en tres niveles.

¡ATENCIÓN!



¡ATENCIÓN! Indica un riesgo de daños graves para el usuario o incluso muerte, o bien daños al entorno, si no se siguen las instrucciones del manual.

¡NOTA!



¡NOTA! Indica un riesgo de lesiones para el usuario o daños al entorno si no se siguen las instrucciones del manual.

AVISO

AVISO Indica un riesgo de daños en los materiales o en la máquina si no se siguen las instrucciones del manual.

Índice

ACLARACIÓN DE LOS SÍMBOLOS

Símbolos en la máquina	19
Explicación de los niveles de advertencia	19

ÍNDICE

Índice	20
--------------	----

PRESENTACIÓN

Apreciado cliente:	21
Diseño y funciones	21
PP65	21

¿QUÉ ES QUÉ?

Piezas de la unidad eléctrica	22
-------------------------------------	----

EQUIPO DE SEGURIDAD DE LA MÁQUINA

Generalidades	23
---------------------	----

MONTAJE Y AJUSTES

Instalación de la unidad de alimentación	24
Conexión de una fuente de alimentación	24
Ajustes de software	24
Antes del arranque	24

FUNCIONAMIENTO

Instrucciones generales de seguridad	25
Equipo de protección	26
Precauciones de seguridad de la unidad de alimentación	27
Seguridad en el trabajo	27

SISTEMA DE MENÚ

Generalidades	29
Primer arranque	29
Vista general del menú	30
Explicación del sistema de menús	31

MANTENIMIENTO

Generalidades	32
Mantenimiento diario	32
Filtro de aire	32
Servicio	32
Mensajes de fallo	33

DATOS TÉCNICOS

Datos técnicos	34
Dimensiones de cable recomendadas	34
Declaración CE de conformidad	35

Apreciado cliente:

Gracias por elegir un producto Husqvarna.

Esperamos que su máquina le proporcione plena satisfacción y le sirva de ayuda por mucho tiempo en adelante. La adquisición de alguno de nuestros productos da acceso a asistencia profesional con reparaciones y servicio. Si la máquina no fue adquirida en un distribuidor oficial, preguntar en la tienda de compra la dirección del taller de servicio más cercano.

Este manual de instrucciones es un documento importante. Procure tenerlo siempre a mano en el lugar de trabajo. Siguiendo sus instrucciones (de uso, servicio, mantenimiento etcétera) puede alargar considerablemente la vida útil de la máquina e incrementar su valor de reventa. Si vende su máquina, entregue el manual de instrucciones al nuevo propietario.

Más de 300 años de innovación

La fundación de la empresa sueca Husqvarna AB data del año 1689, cuando el Rey Karl XI encargó la construcción de una fábrica para la fabricación de mosquetes. En ese momento se establecieron los cimientos de la experiencia tecnológica en la que se basan muchos de los productos punteros en el mundo en el sector de las armas de caza, bicicletas, motocicletas, electrodomésticos, máquinas de coser y productos para exteriores.

Husqvarna es líder internacional en productos motorizados para exteriores destinados a la silvicultura, el mantenimiento de parques y el cuidado del césped y del jardín, así como equipos de corte y herramientas de diamante para el sector de la construcción y la piedra.

Responsabilidad del propietario

El propietario / empresario es el responsable de asegurarse de que el usuario tiene los conocimientos necesarios para utilizar la máquina con seguridad. Los supervisores y los usuarios deben haber leído y entendido el manual de instrucciones. Deben tener conocimiento de lo siguiente:

- Las instrucciones de seguridad de la máquina.
- Las aplicaciones y las limitaciones de la máquina.
- El modo de uso y de mantenimiento de la máquina.

La utilización de esta máquina podría estar regulada por la legislación nacional vigente. Infórmese sobre la legislación vigente en el lugar donde trabaja antes de empezar a utilizar la máquina.

Los derechos que se reserva el fabricante.

Tras la publicación de este manual, Husqvarna podría publicar información adicional para el funcionamiento seguro de este producto. Es responsabilidad del propietario mantenerse informado de los métodos de funcionamiento más seguros.

Husqvarna AB trabaja constantemente para perfeccionar sus productos y se reserva, por lo tanto, el derecho a introducir modificaciones en la construcción y el diseño sin previo aviso.

Para recibir información y atención como cliente, póngase en contacto con nosotros a través de nuestro sitio web: www.husqvarna.com

Diseño y funciones

Este producto está incluido en una gama de equipos de alta frecuencia para cortar, taladrar y realizar cortes en muros. Están diseñados para cortar materiales duros como el hormigón armado y otros materiales de albañilería y no deben utilizarse para funciones distintas a las descritas en este manual.

El alto rendimiento, la fiabilidad, la tecnología innovadora, las soluciones técnicas avanzadas y el respeto medioambiental son los valores que caracterizan a los productos de Husqvarna. El usuario debe leer este manual detenidamente para garantizar un funcionamiento seguro del producto. Póngase en contacto con su concesionario o con Husqvarna si necesita más información.

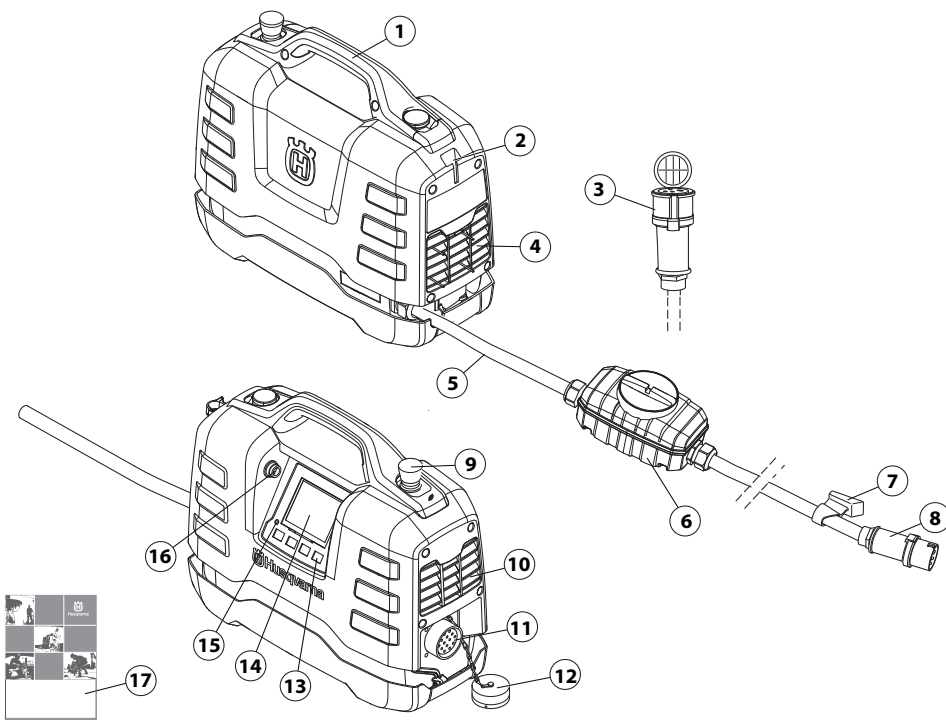
A continuación se describen algunas de las características únicas de su producto.

PP65

La unidad de alimentación está especialmente diseñada para accionar herramientas de alta frecuencia.

- La unidad proporciona una salida de gran potencia y puede utilizar entradas monofásicas o trifásicas, lo que la convierte en un dispositivo flexible y útil.
- El usuario puede efectuar ajustes de una manera sencilla y controlar la información del sistema gracias a la pantalla digital de la unidad.
- El diseño es ergonómico, compacto y ligero, lo que permite un transporte sencillo de la unidad.
- La unidad se refrigera mediante aire.

¿QUÉ ES QUÉ?



Piezas de la unidad eléctrica

- 1 Mango
- 2 Enganche del soporte del cable
- 3 Cable adaptador (Monofásico)
- 4 Toma de aire de refrigeración
- 5 Cable eléctrico
- 6 Interruptor de circuito de pérdida a tierra
- 7 Soporte del cable
- 8 Conector
- 9 Parada de emergencia
- 10 Escape
- 11 Conexión de herramientas
- 12 Cubierta protectora
- 13 Teclas de selección
- 14 Display
- 15 Indicador de sobretensión
- 16 Conexión USB
- 17 Manual de instrucciones

EQUIPO DE SEGURIDAD DE LA MÁQUINA

Generalidades



¡ATENCIÓN! Nunca utilice una máquina con componentes de seguridad defectuosos. Si su máquina no pasa todos los controles, entréguela a un taller de servicio para su reparación.

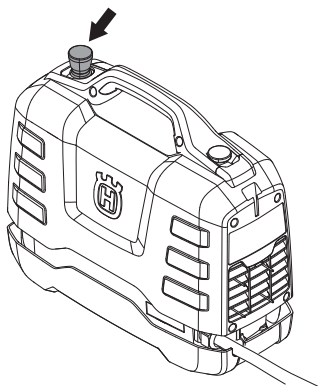
En este capítulo se describen los componentes de seguridad de la máquina, su función y el modo de efectuar el control y el mantenimiento para garantizar un funcionamiento óptimo.

Esta máquina se utiliza en combinación con otros productos. Lea detenidamente el manual que se suministra con los productos y asegúrese de que entiende las instrucciones antes de utilizar la máquina.

- Conecte la unidad de alimentación a una toma de tierra.
- Conecte la herramienta que se vaya a utilizar.

Parada de emergencia

La parada de emergencia de la unidad ralentiza la herramienta conectada y la desconecta de la alimentación.

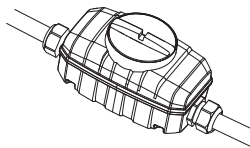


Comprobación de la parada de emergencia

- Compruebe que el botón de parada de emergencia no está pulsado girándolo en el sentido de las agujas del reloj.
- Arranque la herramienta conectada.
- Active la parada de emergencia y compruebe que la herramienta conectada se detiene.

Interruptor de circuito de pérdida a tierra

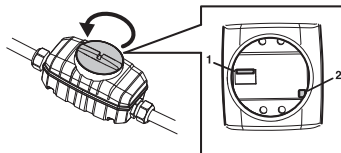
Se ha incorporado un dispositivo de corriente residual para proteger al usuario en caso de fallo eléctrico.



Compruebe el interruptor de circuito de pérdida a tierra

Para comprobar el dispositivo de corriente residual, se debe conectar la unidad de alimentación a un enchufe trifásico.

- Conecte la unidad de alimentación a un enchufe trifásico con toma de tierra.
- Abra la tapa del dispositivo de corriente residual para acceder al interruptor (1) y al botón de prueba (2).



- Coloque el control del dispositivo de corriente residual en la posición 1.
- Pulse el botón de prueba. Debe activarse el dispositivo de corriente residual para desconectar la unidad de la alimentación.
- Reinicie el dispositivo de corriente residual poniendo primero el interruptor en 0 y luego en 1.
- Coloque y apriete la tapa.

El dispositivo de corriente residual debe comprobarse cada dos semanas con el botón de prueba.

Instalación de la unidad de alimentación

Coloque la unidad de alimentación en la zona de trabajo sobre una superficie estable y lejos de posibles salpicaduras de agua.

Conexión de una fuente de alimentación

Para obtener el máximo rendimiento, la unidad de alimentación debe conectarse a un enchufe trifásico con toma a tierra que reciba tensión continua. Si desea obtener más información, consulte el apartado de «Datos técnicos».

Si la tensión no es suficiente, el rendimiento se reducirá al 80%.

Si no hay disponible ningún enchufe trifásico, la unidad de alimentación también se puede conectar a un enchufe monofásico.

Use el cable adaptador suministrado para enchufes monofásicos.

El rendimiento que se consigue con un enchufe monofásico es sustancialmente inferior al que ofrece un enchufe trifásico.

Si desea obtener más información, consulte el apartado de «Datos técnicos».

- Durante el funcionamiento, encaje bien las cubiertas del cable y la unidad de alimentación para evitar que entre suciedad y se dañe el conector.

Siempre que sea lo suficientemente potente, se puede conectar un generador de gasolina o diésel como fuente de alimentación. Consulte los casos de uso de un generador en los datos técnicos. El generador debe conectarse a tierra para proteger el funcionamiento de la unidad de alimentación.

AVISO Los generadores pueden generar en ciertas ocasiones una tensión superior o inferior a lo indicado en los datos técnicos, lo que podría dañar la unidad de alimentación.

Ajustes de software

Se deben realizar los siguientes ajustes antes de poner en marcha la unidad de alimentación. Consulte las instrucciones del apartado «Sistema de menús» para obtener información adicional.

- Ajuste de hora y fecha. (AJUSTES>HORA Y FECHA)
- Selección del idioma de pantalla deseado. (AJUSTES>AJUSTAR IDIOMA)
- Selección de las unidades deseadas. (AJUSTES>AJ. UDS.)

Antes del arranque



¡ATENCIÓN! Lea detenidamente el manual de instrucciones y asegúrese de entender su contenido antes de utilizar la máquina.

Utilice el equipo de protección personal. Vea las instrucciones bajo el título "Equipo de protección personal".

Asegúrese de que no haya personas desautorizadas en la zona de trabajo, de lo contrario se corre el riesgo de ocasionar graves daños personales.

Controle que la máquina esté correctamente montada y que no esté dañada.

Realice el mantenimiento diario.

Consulte las instrucciones bajo el título «Mantenimiento».

FUNCIONAMIENTO

Instrucciones generales de seguridad



¡ATENCIÓN! Lea todas las advertencias e instrucciones de seguridad. No atender a estas advertencias e instrucciones puede provocar descargas eléctricas, incendios y lesiones graves.

¡IMPORTANTE! Conserve todas las advertencias e instrucciones para su consulta. El término «herramienta eléctrica» empleado en las advertencias hace referencia a una herramienta eléctrica que funciona con conexión a la red de suministro (con cable) o a una herramienta que funciona con batería (sin cable).

Seguridad en el área de trabajo

- **Mantenga el área de trabajo limpia y bien iluminada.** Las zonas abarrotadas de cosas u oscuras favorecen los accidentes.
- **No maneje herramientas eléctricas en ambientes explosivos como aquellos en los que hay líquidos, gases o polvo inflamables.** Las herramientas eléctricas producen chispas que pueden inflamar el polvo o los vapores.
- **Mantenga alejados a los niños y a otras personas mientras trabaje con una herramienta eléctrica.** Las distracciones pueden hacer que pierda el control de esta.

Seguridad eléctrica

- **Los enchufes de las herramientas eléctricas deben corresponder a la toma de corriente utilizada. No modifique nunca el enchufe de modo alguno. No utilice adaptadores para las herramientas eléctricas con conexión a tierra.** No modificar los enchufes y usar las tomas de corriente que se adapten a estos reducirán el riesgo de descarga eléctrica.
- **Evite el contacto de su cuerpo con superficies puestas a tierra como tuberías, radiadores, cocinas y neveras.** Si su cuerpo está en contacto con el suelo, existe un mayor riesgo de descarga eléctrica.
- **No exponga las herramientas eléctricas a la lluvia o a ambientes húmedos.** El riesgo de recibir descargas eléctricas aumentará si penetra agua en la herramienta eléctrica.
- **Maneje el cable con cuidado. No lo utilice nunca para transportar, tirar o desenchufar la herramienta eléctrica.** Manténgalo alejado de fuentes de calor, aceite, aristas vivas o piezas móviles. Los cables dañados o enredados incrementan el riesgo de descarga eléctrica.
- **Cuando trabaje con una herramienta eléctrica en exteriores, utilice un alargador indicado para este uso.** Utilizar un cable adecuado para su uso en exteriores reduce el riesgo de descarga eléctrica.
- **Si es necesario utilizar una herramienta eléctrica en un lugar húmedo, utilice suministro eléctrico protegido con un interruptor diferencial.** La utilización de un interruptor diferencial reduce el riesgo de descargas eléctricas.

Seguridad personal

- **Esté siempre atento, fíjese en lo que está haciendo y utilice el sentido común cuando maneje una herramienta eléctrica. No utilice herramientas eléctricas si está cansado o bajo los efectos de estupefacientes, alcohol o medicamentos.** Un momento de descuido, mientras se trabaja con herramientas eléctricas, puede causar lesiones graves.
- **Utilice el equipo de protección individual. Utilice siempre protección para los ojos.** El equipo de protección, como la mascarilla antipolvo, los zapatos de seguridad antideslizantes, el casco o los protectores auditivos, utilizados en función de las condiciones de trabajo, reducirán el riesgo de lesiones.
- **Evite el encendido accidental de la herramienta. Asegúrese de que el interruptor está en la posición de apagado antes de conectar la máquina a la fuente de alimentación y/o la batería, cogerla o transportarla.** Transportar herramientas eléctricas con el dedo puesto sobre el interruptor o encenderlas con el interruptor en la posición de encendido puede provocar accidentes.
- **Quite todas las clavijas de ajuste o llaves de tuercas antes de encender la herramienta eléctrica.** Una llave de tuercas o clavija de ajuste que se ha dejado colocada en una pieza giratoria de la herramienta eléctrica puede causar lesiones.
- **No se estire demasiado. Mantenga una posición correcta y el equilibrio en todo momento.** Esto le permitirá controlar mejor la herramienta eléctrica en situaciones imprevistas.
- **Utilice la ropa adecuada. No utilice nunca ropa amplia ni joyas. Mantenga el pelo, la ropa y los guantes alejados de las piezas móviles.** La ropa amplia, las joyas o el pelo largo pueden quedar atrapados en las piezas móviles.
- **Si se suministran equipos de aspiración o captación de polvo, asegúrese de que estén conectados y se utilicen correctamente.** El uso de estos equipos puede reducir los riesgos derivados del polvo.

FUNCIONAMIENTO

Uso y cuidado de la herramienta eléctrica

- **No sobrecargue la herramienta eléctrica. Utilice la herramienta eléctrica adecuada para el trabajo que debe realizar.** Con la herramienta eléctrica apropiada hará el trabajo mejor y con mayor seguridad a la potencia para la que fue diseñada.
- **No utilice la herramienta eléctrica si el interruptor no funciona.** Las herramientas que no se puedan controlar con el interruptor son peligrosas y deben repararse.
- **Desconecte el enchufe de la fuente de alimentación y/o la batería de la herramienta eléctrica antes de realizar cualquier ajuste, cambiar accesorios o guardarla.** Estas medidas de seguridad preventivas reducen el riesgo de encendido accidental de la herramienta eléctrica.
- **Guarde las herramientas eléctricas que no se utilicen fuera del alcance de los niños y no permita que personas no familiarizadas con su uso o con estas instrucciones las manejen.** Las herramientas eléctricas resultan peligrosas en manos de usuarios no cualificados.
- **Cuide las herramientas. Compruebe que no haya partes móviles mal alineadas o trabadas, piezas rotas o cualquier otra circunstancia que pueda afectar al funcionamiento de la herramienta eléctrica. Si detecta daños, haga reparar la herramienta eléctrica antes de utilizarla.** Muchos accidentes se deben al uso de herramientas eléctricas que carecen de un mantenimiento adecuado.
- **Mantenga las herramientas de corte afiladas y limpias.** Las herramientas de corte con aristas afiladas y un mantenimiento adecuado tienen menos probabilidades de trabarse y son más fáciles de controlar.
- **Utilice la herramienta eléctrica, los accesorios, útiles, etc. según se indica en estas instrucciones, teniendo en cuenta las condiciones de trabajo y la tarea que debe realizar.** El uso de la herramienta eléctrica para trabajos distintos a aquellos para los que fue diseñada podría dar lugar a situaciones peligrosas.

Servicio

- **Solicite que su herramienta eléctrica sea reparada por personal cualificado y utilizando únicamente piezas de repuesto originales.** Esto garantizará la seguridad de la herramienta.

Emplee siempre el sentido común

Es imposible abarcar todas las situaciones en las que puede encontrarse. Utilice siempre el equipo con cuidado y sentido común. Si se encuentra en alguna situación que le haga sentirse inseguro, deténgase y consulte con un experto. Consulte a su distribuidor, al taller de servicio técnico o a un usuario experimentado. No emplee la máquina en aplicaciones para las que no se considere plenamente cualificado.

Equipo de protección

Generalidades

No use nunca una máquina si no tiene posibilidad de pedir auxilio si se produce un accidente.

Equipo de protección personal

Para trabajar con la máquina debe utilizarse un equipo de protección personal homologado. El equipo de protección personal no elimina el riesgo de lesiones, pero reduce su efecto en caso de accidente. Pida a su distribuidor que le asesore en la elección del equipo.



¡ATENCIÓN! El uso de productos que cortan, pulen, taladran, alisan o forman materiales puede generar polvo y vapores que pueden contener sustancias químicas dañinas. Averiguar la composición del material con que se trabaja y usar una máscara respiratoria adecuada.



¡ATENCIÓN! La exposición prolongada al ruido puede causar daños crónicos en el oído. Por consiguiente, use siempre protectores auriculares homologados. Cuando use protección auditiva preste siempre atención a las señales o llamados de advertencia. Sáquese siempre la protección auditiva inmediatamente después de parar el motor.



¡ATENCIÓN! Existe siempre riesgo de accidentes por apriete al trabajar con aparatos con piezas móviles. Usar guantes protectores para evitar lesiones.

Utilice siempre:

- Casco protector
- Protectores auriculares
- Gafas protectoras o visor
- Máscara respiratoria
- Guantes resistentes de agarre seguro.
- Prendas de vestir ceñidas, resistentes y cómodas que permitan una libertad de movimientos total.
- Botas con puntera de acero y suela antideslizante.

Tener en cuenta que las ropas, el pelo largo y las joyas pueden atascarse en piezas móviles.

FUNCIONAMIENTO

Otros equipos de protección



¡ATENCIÓN! Mientras trabaja con la máquina, pueden producirse chispas que podrían ocasionar un incendio. Tenga siempre a mano herramientas para la extinción de incendios.

- Herramientas para la extinción de incendios
- Tenga siempre a mano el equipo de primeros auxilios.

Precauciones de seguridad de la unidad de alimentación



¡ATENCIÓN! Lea todas las advertencias e instrucciones de seguridad. No atender a estas advertencias e instrucciones puede provocar descargas eléctricas, incendios y lesiones graves.

Este apartado trata las normas de seguridad básicas para trabajar con el dispositivo. Esta información no sustituye en ningún caso los conocimientos y la experiencia de un profesional.

- Lea detenidamente el manual de instrucciones y asegúrese de entender su contenido antes de utilizar la máquina.
- Debe tenerse en cuenta que el operador es responsable de los accidentes o riesgos que ocurran a otras personas o a su propiedad.
- Todos los operadores deben ser formados en el empleo de la máquina. El propietario es responsable de la formación de los operadores.
- La máquina debe mantenerse limpia. Los letreros y las pegatinas deben ser legibles en su totalidad.



¡ATENCIÓN! La máquina, si se utiliza de forma errónea o descuidada, puede ser una herramienta peligrosa que puede causar daños graves e incluso la muerte al usuario y a otras personas.

No permita bajo ningún concepto el empleo o mantenimiento de la máquina por los niños u otras personas no instruidas en el manejo de la misma. Nunca deje que terceros utilicen la máquina sin asegurarse primero de que hayan entendido el contenido de este manual de instrucciones.

Nunca utilice la máquina si está cansado, si ha ingerido alcohol o si toma medicamentos que puedan afectarle la vista, su capacidad de discernimiento o el control del cuerpo.



¡ATENCIÓN! Las modificaciones y/o el uso de accesorios no autorizados comportan riesgo de daños personales graves y peligro de muerte para el usuario y otras personas.

No modifique nunca esta máquina de forma que se desvíe de la versión original, y no la utilice si parece haber sido modificada por otras personas.

No utilice nunca una máquina defectuosa. Lleve a cabo las comprobaciones de seguridad y siga las instrucciones de mantenimiento y servicio de este manual. Algunas medidas de mantenimiento y servicio deben ser efectuadas por especialistas formados y cualificados. Consulte las instrucciones del apartado Mantenimiento.

Utilizar siempre recambios originales.

Seguridad en el trabajo

Seguridad en el área de trabajo

- Averigüe y marque siempre la ubicación del trazado de las tuberías de gas. El corte cerca de las tuberías de gas siempre es peligroso. Procure que no se generen chispas al cortar, debido al riesgo de explosión. Trabaje concentrado en su tarea. La negligencia comporta riesgo de daños personales graves y peligro de muerte.
- Asegúrese de que no haya tuberías o cables eléctricos en la zona de trabajo o en la pieza en la que vaya a trabajar.
- Compruebe que los cables eléctricos que haya en el área de trabajo no tengan tensión.
- Antes de comenzar a trabajar con la máquina, controle siempre que el lugar esté libre y que los pies estén bien afirmados al terreno.
- No trabaje en condiciones atmosféricas desfavorables como niebla, lluvia intensa, tempestad, frío intenso, etc. Trabajar con mal tiempo es cansador y puede crear condiciones peligrosas, por ejemplo suelo resbaladizo.

FUNCIONAMIENTO

Seguridad eléctrica



¡ATENCIÓN! Existe siempre riesgo de sacudidas eléctricas al usar máquinas eléctricas. No usar la máquina en condiciones climáticas desfavorables y evitar el contacto del cuerpo con pararrayos y objetos metálicos. Seguir siempre las instrucciones del manual para evitar daños.



¡ATENCIÓN! No lave la máquina con agua, ya que puede penetrar en el sistema eléctrico o en el motor y causar daños en la máquina o un cortocircuito.

- No utilice nunca la herramienta sin el diferencial que se entrega con ella.
- La máquina se debe enchufar a un enchufe con masa.
- Compruebe que la tensión de red concuerda con la que se indica en la placa de características de la máquina.
- Compruebe que el cable y el cable de empalme está intacto.
- Si se daña un cable, no utilice la máquina. Llévela a reparar a un taller de servicio oficial.
- Un cable de alargue no debe usarse enrollado porque hay riesgo de sobrecalentamiento.

Seguridad personal

- No abandonar nunca la máquina sin vigilar, con el motor en marcha.
- Desenchufe siempre la unidad de alimentación del suministro eléctrico durante periodos de inactividad prolongados.
- Un operador nunca debe trabajar solo; siempre debe haber otra(s) persona(s) cerca. Así, además de tener ayuda para montar la máquina, también puede recibirse asistencia en caso de accidente.
- Las personas y los animales pueden distraer y hacer perder el control de la máquina. Por consiguiente, el operador debe estar siempre concentrado en su trabajo.
- Las personas que deban permanecer cerca deben usar protectores auriculares porque el nivel sonoro al cortar es superior a 85 dB(A).
- Trabaje siempre de modo que pueda acceder fácilmente a la parada de emergencia. En caso de emergencia, pulse el botón rojo de parada de emergencia de la unidad o el botón de parada del control remoto.

Uso y cuidado

Esta máquina está diseñada para utilizarse en combinación con los productos compatibles de Husqvarna. Está prohibido utilizarla de cualquier otra forma.

- La máquina está destinada al uso por operadores experimentados, en aplicaciones industriales.
- El control y/o mantenimiento de la máquina debe hacerse con el motor parado y el enchufe desenchufado.
- Parar siempre la máquina antes de trasladarla.
- Proceda con cuidado en las elevaciones. Las piezas son pesadas, por lo que hay riesgo de daños por apriete y daños personales de otro tipo.
- Nunca desconecte el cable sin desconectar antes la unidad eléctrica y esperar a que la máquina se detenga por completo.
- No sobrecargar la máquina. La sobrecarga puede dañar la máquina.
- Compruebe que todas las juntas, conexiones y cables están intactos y limpios.

SISTEMA DE MENÚ

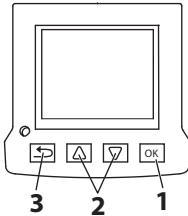
Generalidades

Los textos de la pantalla aparecen en inglés en el manual, pero en la pantalla del producto estarán en el idioma que corresponda.

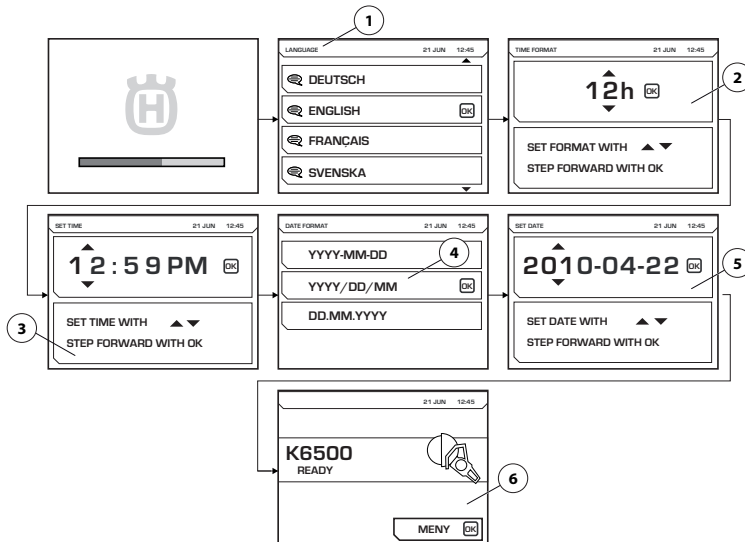
Para más información sobre FreeRTOS, visite www.freertos.org

Si la K6500 está en marcha, la pantalla de la unidad de alimentación se apagará.

Utilice los botones de flechas (2) para desplazarse por los menús y el botón «ACEPTAR» (1) para confirmar la selección. Utilice el botón de retroceso (3) para volver atrás en los menús.



Primer arranque



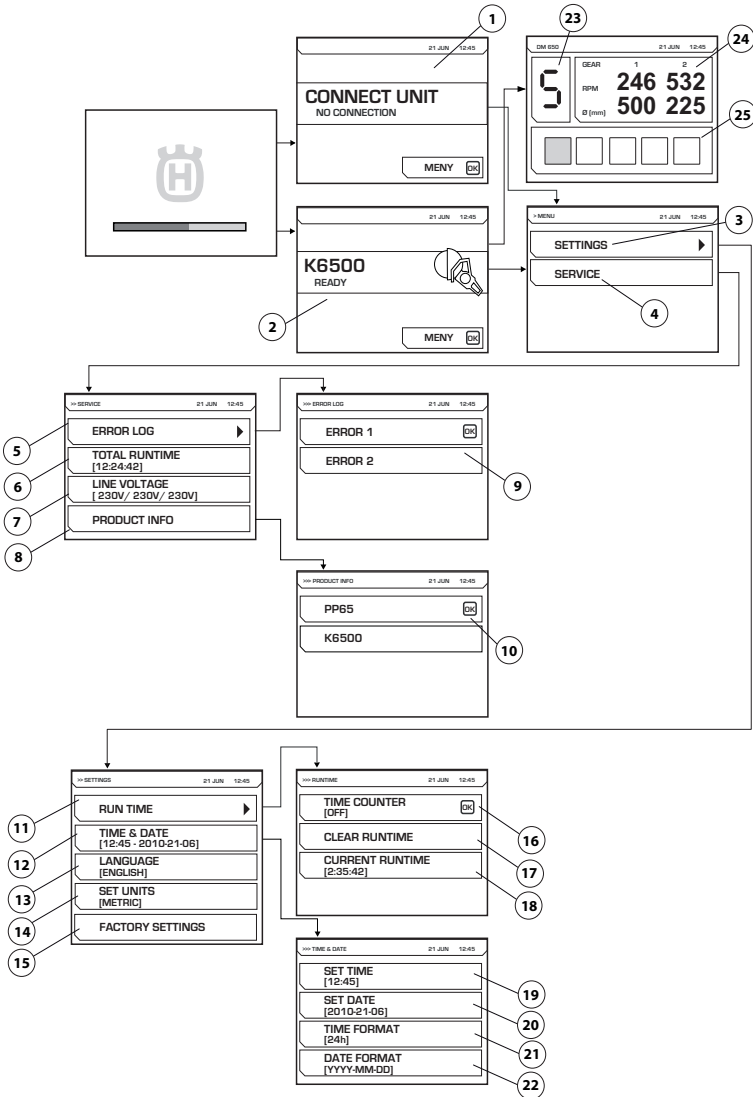
Deben efectuarse los siguientes ajustes durante el primer arranque de la unidad de alimentación:

- LANGUAGE (1) Selección del idioma de pantalla deseado.
- TIME FORMAT (2) Seleccione el formato de hora deseado.
- SET TIME (3) Indique la hora.
- DATE FORMAT (4) Seleccione el formato de fecha deseado.
- SET DATE (5) Indique la fecha.

Una vez realizados, en la pantalla principal aparecerá información sobre la herramienta conectada (6). La imagen es únicamente ilustrativa.

SISTEMA DE MENÚ

Vista general del menú



Consulte la siguiente página si desea obtener una explicación detallada de cada menú.

SISTEMA DE MENÚ

Explicación del sistema de menús

CONNECT UNIT (1)

Esta imagen aparece si la unidad de alimentación no está conectada a ninguna otra herramienta. Conecte la herramienta.

Marcha electrónica

Una vez conectada la herramienta, se mostrará la pantalla de inicio (2). Pulse el botón de menú para iniciar los menús de ajustes (3) y servicio (4).

Mientras acciona el DM650, aparecerá una imagen en la pantalla que muestra la marcha electrónica seleccionada (23), las rpm actuales de las marchas mecánicas 1 y 2, así como el diámetro de perforación recomendado para trabajar con estas marchas (24). La carga actual del alimentador (25) del taladro también aparece.

SETTINGS (3)

El menú «Ajustes» está compuesto por submenús que, a su vez, se dividen en varios apartados.

RUN TIME (11)

Tiempo de funcionamiento

TIME COUNTER (16)

En la activación, se inicia un cronómetro que registra el tiempo durante el que la herramienta está activada.

CLEAR RUNTIME (17)

Se utiliza para restaurar el cronómetro.

CURRENT RUN TIME (18)

Tiempo de funcionamiento actual

TIME AND DATE (12)

Ajuste de hora y fecha.

SET TIME (19)

Indique la hora.

SET DATE (20)

Indique la fecha.

TIME FORMAT (21)

Seleccione el formato de hora deseado. Puede elegir entre las siguientes opciones:

- 12 h
- 24 h

DATE FORMAT (22)

Seleccione el formato de fecha deseado. Puede elegir entre las siguientes opciones:

- YYYY-MM-DD
- YYYY/DD/MM
- DD/MM/YYYY

LANGUAGE (13)

Selección del idioma de pantalla deseado.

FACTORY SETTING (15)

Restablecer los ajustes de fábrica:

- Idioma de la pantalla (inglés predeterminado)
- Formato de hora (12 h predeterminado)
- Formato de fecha (YYYY-MM-DD predeterminado)

SERVICIO (4)

El menú «Ajustes» está compuesto por submenús que, a su vez, se dividen en varios apartados.

ERROR LOG (5)

Lista de errores (9)

TOTAL RUNTIME (6)

Se muestra el tiempo de funcionamiento total de la máquina.

VOLTAGE (7)

Tensión que recibe la máquina.

PRODUCT INFO (8)

Se muestra información sobre la unidad y la herramienta conectada (10).

MANTENIMIENTO

Generalidades



¡ATENCIÓN! El usuario sólo puede efectuar los trabajos de mantenimiento y servicio descritos en este manual. Los trabajos de mayor envergadura debe efectuarlos un taller de servicio oficial.

La vida útil de la máquina puede acortarse y el riesgo de accidentes puede aumentar si el mantenimiento de la máquina no se hace de forma adecuada y si los trabajos de servicio y/o reparación no se efectúan de forma profesional. Para más información, consulte con el taller de servicio oficial más cercano.

Mantenimiento diario

- Compruebe que el equipo de seguridad de la máquina está intacto. Consulte las instrucciones del apartado «Equipo de seguridad de la máquina».
- Compruebe que el cable y la alargadera, si la hubiera, están intactos y en buenas condiciones.
- Limpiar siempre todo el equipo después de cada turno de trabajo. Utilice un cepillo manual extrafuerte o una brocha grande.
- Asegúrese de que los conectores y los pines están limpios. Límpielos con un trapo o un cepillo.

AVISO No utilice un equipo de limpieza a alta presión para limpiar la máquina. El chorro de alta presión puede dañar las juntas y hacer que se introduzca agua y suciedad en el interior de la máquina, provocando daños graves.

Filtro de aire

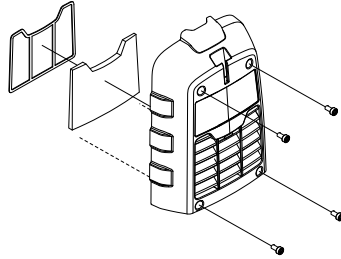
AVISO El filtro de aire no debe limpiarse con aire comprimido, ya que puede dañar el filtro.

Si el filtro de aire está atascado, la unidad de alimentación se sobrecalentará.

Revise el filtro de aire y cámbielo si es necesario.

- Desmonte la cubierta del filtro de aire. Utilice una llave Torx n.º 27.
- Quite la carcasa metálica para acceder a la cubierta.

- Cambie el filtro.



Servicio

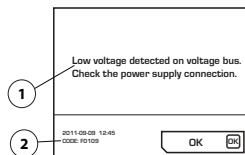


¡ATENCIÓN! Las reparaciones de todo tipo deben ser efectuadas por técnicos autorizados, únicamente. De este modo se evita someter a los operadores a grandes riesgos.

MANTENIMIENTO

Mensajes de fallo

En caso de error, se muestran en la pantalla un mensaje de error (1) y un código de error (2).



Cómo proceder con los mensajes de error:

- Pulse 'OK' en la pantalla o active el acelerador de la herramienta conectada. Si el mensaje de error desaparece, no es necesario realizar ninguna otra acción.

Si el sistema se congela y no se puede proceder: Desconecte el conector del enchufe con toma de tierra y vuelva a conectar la fuente de alimentación. Consulte las instrucciones bajo el título «Montaje y ajustes».

Si el error persiste, siga las instrucciones de la guía para la resolución de problemas o póngase en contacto con un distribuidor autorizado. La imagen es únicamente ilustrativa.

El software de la unidad de alimentación puede actualizarse. Póngase en contacto con su taller de servicio para obtener más información.

Tabla de localización de fallos

Código de fallo	Mensajes de fallo	Causa	Medida
F0101	Corriente en amperios interna muy alta	Corriente herram. muy alta	Póngase en contacto con el taller de servicio si el problema persiste.
F0103	Error en Hardware Interno	Error hardware	Póngase en contacto con el taller de servicio si el problema persiste.
F0104	Error en el voltaje BUS	Err. tens. herram.	Compruebe aliment.
F0105	Voltaje BUS alto. Comprobar la connexion	Frenado demasiado agresivo	Póngase en contacto con el taller de servicio si el problema persiste.
F0106	Temperatura modulo IGBT alta	Unidad de alimentación sobrecalentada	Compruebe el ventilador y el filtro y deje que se enfríe el sistema.
F0107	La seta de emergencia esta conectada	Parada de emergencia pulsada.	Reinicie bot. emergen.
FXX08*	Temperatura del motor demasiado alta	Temperatura motor demasiado alta	Aumente el caudal de agua refrigerante. Consulte los datos técnicos en el manual de instrucciones de la herramienta conectada.
F0109	Voltaje BUS bajo. Comprobar la connexion	Fallo alimentación interna	Compr pot entr o contacte serv. téc.
F0111	El reloj interno de la maquina esta desconectado	El reloj se ha parado	Contacte serv. para cambio batería
F0112	Tension de entrada muy bajo	Tensión entrada baja	Compruebe manual tensión entr. mín
F0113	Tension de entrada muy alto	Tensión entrada alta	Compruebe manual tensión entr. máx
FXX14*	Alerta de sensor de temperatura	Interrupción o cortocircuito del sensor de temperatura	Contacte con su taller de servicio.
F0118	Error en Hardware Interno	Error hardware	Póngase en contacto con el taller de servicio si el problema persiste.
F0119	Temperatura PP alta	Unidad de alimentación sobrecalentada	Compruebe el ventilador y el filtro y deje que se enfríe el sistema.

* XX = números diferentes según la herramienta conectada a la unidad de alimentación.

DATOS TECNICOS

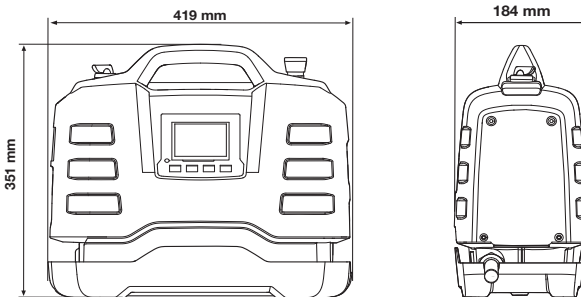
Datos técnicos

Motor	PP65
Salida máx., kW	6,5
Corriente nominal trifásica a 400V, A	12
Corriente nominal monofásica, A	15/16
Corriente recibida trifásica, V	200-480, 50-60 Hz
Corriente recibida monofásica, V	220-240, 50-60 Hz
Conexión eléctrica	
Trifásica	L1+L2+L3+N+PE/L1+L2+L3+PE
Monofásico	L+N+PE
Peso, kg/lb	9,5/20,9

Casos de uso de un generador

	Rendimiento de PP65	Tensión generada por el generador (V)	Tensión mínima recomendada que debe generar el generador (kVA)
Trifásica	Potencia total	3x400, 3x416, 3x440, 3x480	10
	Potencia reducida	3x208, 3x220, 3x240	
Monofásico	Potencia reducida	220-240	5

Dimensiones



Dimensiones de cable recomendadas

AVISO Un buen funcionamiento del motor depende de la tensión adecuada. Si la alargadera es demasiado larga o poco gruesa, se reducirá la potencia cuando el motor esté cargado, lo que derivará en problemas de rendimiento o funcionamiento.

DATOS TECNICOS

Declaración CE de conformidad

(Rige sólo para Europa)

Husqvarna AB, S-561 82 Huskvarna, Sweden, teléfono +46-36-146500, declara bajo su exclusiva responsabilidad que la unidad eléctrica **Husqvarna PP65**, a partir de los números de serie del año 2014 (el año se indica claramente en texto plano en la placa de modelo, junto con el número de serie), cumple con las disposiciones de las Directivas del Consejo:

- **2006/42/CE** «relativa a máquinas» del 17 de mayo de 2006.
- **2004/108/CEE**, "referente a compatibilidad electromagnética", del 15 de diciembre de 2004.
- **2006/95/CE** del 12 de diciembre de 2006 relativa a equipos eléctricos.
- del 8 de junio de 2011 «sobre restricciones a la utilización de determinadas sustancias peligrosas» (**2011/65/UE**)

Se han aplicado las siguientes normas:

EN ISO 12100:2010, EN 55014-1:2006, EN 55014-2/A1:2001, EN 61000-3-2:2006, EN 6100-3-3:2008, EN 60745-1:2009

Gotemburgo, 6 de febrero de 2014



Helena Grubb

Vicepresidente, maquinaria para la construcción Husqvarna AB

(Presentante autorizado de Husqvarna AB y responsable de la documentación técnica.)

EXPLICAÇÃO DOS SÍMBOLOS

Símbolos na máquina

ATENÇÃO! A máquina, se for usada de forma indevida ou incorrecta, pode ser perigosa, causando sérios ferimentos ou mesmo a morte do utente ou outras pessoas.

Leia as instruções para o uso com toda a atenção e compreenda o seu conteúdo antes de fazer uso da máquina.

Use sempre:

- Capacete protector aprovado
- Protectores acústicos aprovados
- Óculos ou viseira de protecção
- Máscara respiratória

A inspeção e/ou manutenção é efectuada com o motor desligado e com a ficha de retirada da tomada de corrente.

Este produto está conforme as directivas em validade da CE.

Marca ambiental. O símbolo no produto ou respectiva embalagem indica que este produto não pode ser processado como detritos domésticos. O produto deve então ser entregue a uma estação de reciclagem adequada para reciclagem de equipamento eléctrico e electrónico.

Providenciando para que este produto seja processado de forma correcta, você pode contribuir para contrariar potenciais consequências negativas para o meio ambiente e pessoas, que caso contrário, podem ser provocadas pela gestão inadequada dos resíduos deste produto.

Para mais informação sobre a reciclagem deste produto, contacte os serviços competentes da sua autarquia, o serviço de recolha de resíduos domésticos ou o estabelecimento onde adquiriu o produto.

Os restantes símbolos e autocolantes existentes na máquina dizem respeito a exigências específicas para homologação em alguns países.



Explicação dos níveis de advertência

As advertências são classificadas em três níveis.

ATENÇÃO!



ATENÇÃO! Utilizado no caso de existir risco de ferimento grave ou morte para o operador ou de danos nas zonas envolventes, se não forem seguidas as instruções do manual.

CUIDADO!



CUIDADO! Utilizado no caso de existir risco de ferimento para o operador ou de danos nas proximidades, se não forem seguidas as instruções do manual.

ATENÇÃO!

ATENÇÃO! Utilizado se existir risco de danos para os materiais ou para a máquina, se não forem seguidas as instruções do manual.

Índice

EXPLICAÇÃO DOS SÍMBOLOS

Símbolos na máquina	36
Explicação dos níveis de advertência	36

ÍNDICE

Índice	37
--------------	----

APRESENTAÇÃO

Prezado cliente!	38
Design e características	38
PP65	38

COMO SE CHAMA?

O que é o quê na unidade de alimentação?	39
--	----

EQUIPAMENTO DE SEGURANÇA DA MÁQUINA

Noções gerais	40
---------------------	----

MONTAGEM E AJUSTAMENTOS

Instale a unidade de alimentação	41
Ligue uma fonte de alimentação	41
Definições de software	41
Antes de ligar	41

OPERAÇÃO

Instruções gerais de segurança	42
Equipamento de protecção	43
Precauções de segurança da unidade de alimentação	44
Segurança do trabalho	44

SISTEMA DE MENU

Noções gerais	46
Colocação em funcionamento	46
Visão geral do menu	47
Explicação do sistema de menu	48

MANUTENÇÃO

Noções gerais	49
Controle diário	49
Filtro de ar	49
Assistência	49
Mensagens de erro	50

ESPECIFICAÇÕES TÉCNICAS

Especificações técnicas	51
Dimensões de cabo recomendadas	51
Certificado CE de conformidade	52

APRESENTAÇÃO

Prezado cliente!

Muito obrigado por escolher um produto Husqvarna! Esperamos que ficará satisfeito com a sua nova máquina e que ela o acompanhará durante muito tempo. A compra de qualquer dos nossos produtos dá-lhe acesso a ajuda profissional, incluindo reparações e assistência técnica. Se não tiver adquirido a sua máquina num dos nossos revendedores autorizados, pergunte onde fica a oficina especializada mais próxima.

Este manual tem um grande valor. Certifique-se de que este manual se encontra sempre à mão no local de trabalho. Seguindo o seu conteúdo (utilização, assistência técnica, manutenção, etc) aumentará consideravelmente a vida útil da máquina bem como o preço de venda em segunda mão da mesma. Se vender a sua máquina, entregue as instruções de utilização ao novo proprietário.

Mais de 300 anos de inovação

A Husqvarna, empresa baseada na Suécia, tem como base uma tradição que remonta a 1689, quando o rei sueco Karl XI mandou construir uma fábrica para fabricar mosquetes. Na época, estabeleceram-se as fundações para o desenvolvimento de capacidades relacionadas com a engenharia que se encontra por detrás de alguns dos produtos mais conhecidos do mundo, tais como armas de caça, bicicletas, motocicletas, aparelhos domésticos, máquinas de costura e ferramentas para uso em exteriores.

A Husqvarna é a líder global em ferramentas motorizadas para uso em exteriores, tais como em silvicultura, manutenção de jardins e parques, cuidados da relva, bem como na área do equipamento de corte e ferramentas de diamante para a construção e a indústria de extracção e transformação de pedra.

Responsabilidade do proprietário

É da responsabilidade do proprietário/entidade empregadora que o operador tenha conhecimento suficiente sobre como utilizar a máquina em segurança. Os supervisores e os operadores devem ter lido e compreendido o Manual do Operador. Devem conhecer:

- As instruções de segurança da máquina.
- As diversas aplicações da máquina e as suas limitações.
- O modo como a máquina deve ser utilizada e mantida.

A legislação nacional poderá regular a utilização desta máquina. Informe-se da legislação aplicável no seu local de trabalho antes de utilizar esta máquina.

Ressalvas do fabricante

No seguimento da publicação deste manual, a Husqvarna poderá emitir informações adicionais para garantir uma operação segura deste produto. O proprietário tem o dever de se manter actualizado quanto aos métodos de operação mais seguros.

Husqvarna AB efectua o desenvolvimento contínuo dos seus produtos, reservando-se o direito de introduzir modificações referentes, entre outros, ao aspecto e forma dos mesmos sem aviso prévio.

Para obter informação e assistência, contacte-nos através do nosso website: www.usa.husqvarna.com

Design e características

Trata-se de um produto incluído na gama de equipamento que utiliza energia de alta frequência para corte, perfuração e serragem de paredes. Estes são concebidos para cortar materiais rígidos, como alvenaria e betão armado, não devendo ser utilizados para fins não descritos no presente manual.

Os nossos valores, tais como a elevada performance, fiabilidade, tecnologia inovadora, soluções técnicas avançadas e o cuidado do ambiente, distinguem os produtos Husqvarna. Para garantir uma operação segura deste produto, o operador deverá ler atentamente este manual. Consulte o seu concessionário ou contacte a Husqvarna, caso necessite de informações adicionais.

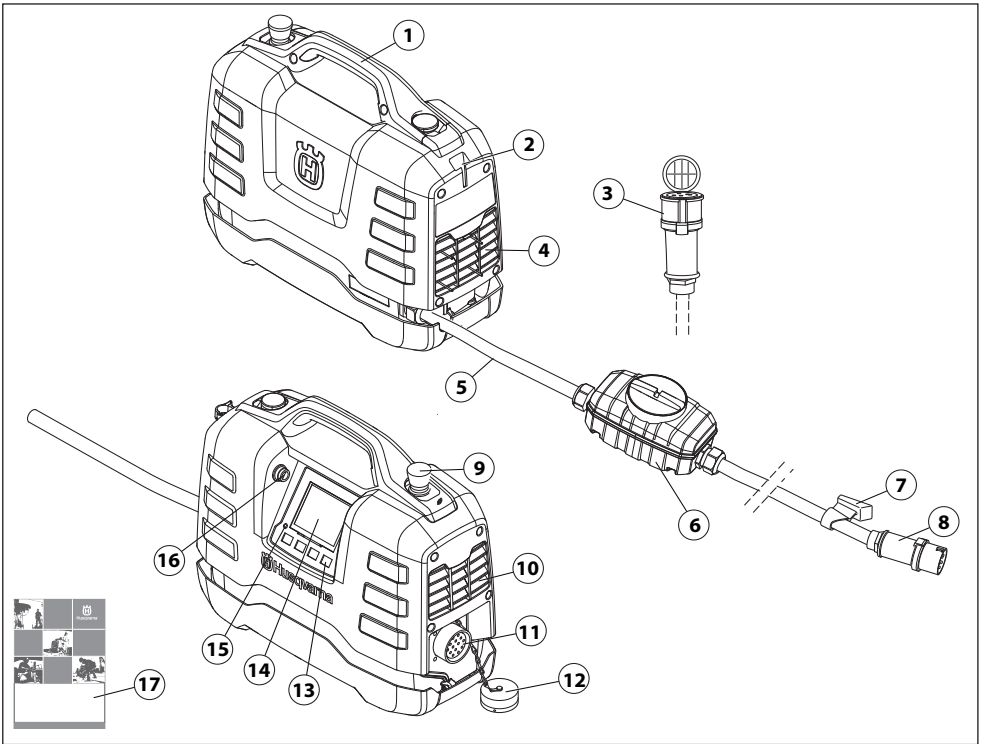
Algumas das características únicas dos nossos produtos encontram-se descritas em baixo.

PP65

A unidade de alimentação foi concebida especialmente para o accionamento de ferramentas de alta frequência.

- A unidade proporciona uma saída de elevada potência e pode utilizar uma entrada monofásica ou trifásica, o que a torna flexível e prática.
- O operador pode facilmente fazer ajustes e monitorizar a informação do sistema por meio do visor digital na unidade.
- O design é ligeiro, compacto e ergonómico, o que faz com que a unidade seja muito fácil de transportar.
- A unidade é arrefecida a ar

COMO SE CHAMA?



O que é o quê na unidade de alimentação?

- | | |
|--|-----------------------------|
| 1 Punho | 10 Escape |
| 2 Espaço para o suporte para cabo | 11 Ligação da ferramenta |
| 3 Cabo adaptador (Monofásico) | 12 Cobertura de protecção |
| 4 Entrada de ar de arrefecimento | 13 Teclas de selecção |
| 5 Cabo de alimentação | 14 Display |
| 6 Interruptor corta-circuito em caso de falha na terra | 15 Indicador de sobretensão |
| 7 Suporte para cabo | 16 Ligação USB |
| 8 Conector | 17 Instruções para o uso |
| 9 Paragem de emergência | |

EQUIPAMENTO DE SEGURANÇA DA MÁQUINA

Noções gerais



ATENÇÃO! Nunca use uma máquina com peças de segurança defeituosas. Se a sua máquina não satisfizer a algum desses controlos, deverá ser enviada a uma oficina autorizada para reparação.

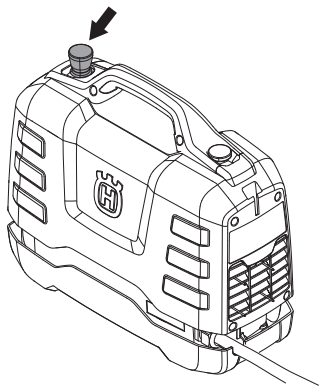
Nesta secção esclarecem-se quais são as peças de segurança da máquina, que função desempenham e ainda como efectuar o controlo e a manutenção para se certificar da sua operacionalidade.

Esta máquina pode ser utilizada em combinação com outros produtos. Leia as instruções fornecidas com os produtos com atenção e compreenda o seu conteúdo antes de fazer uso da máquina.

- Ligue a unidade de alimentação a uma tomada com ligação à terra
- Conecte a ferramenta a utilizar.

Paragem de emergência

A paragem de emergência na unidade retarda a ferramenta ligada e desliga-a da fonte de alimentação.

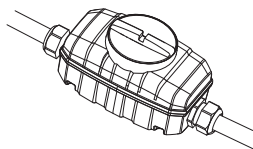


Testar a paragem de emergência

- Verifique se o botão de paragem de emergência não está premido, fazendo-o girar a direcção dos ponteiros do relógio.
- Inicie a ferramenta ligada.
- Prima o botão de paragem de emergência e certifique-se de que a ferramenta ligada pára.

Interruptor corta-circuito em caso de falha na terra

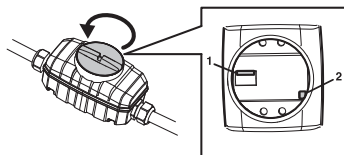
Encontra-se instalado um dispositivo diferencial para proteger os operadores em caso de falha eléctrica.



Verifique o interruptor corta-circuito em caso de falha de terra

A verificação do dispositivo diferencial tem de ser efectuada com a unidade de alimentação ligada a uma tomada trifásica.

- Ligue a unidade de alimentação a uma tomada trifásica com ligação à terra.
- Abra a tampa do dispositivo diferencial para aceder ao interruptor (1) e ao botão de teste (2).



- Regule o controlo do dispositivo diferencial para a posição 1.
- Prima o botão de teste. O dispositivo diferencial tem de disparar para desligar a unidade da fonte de alimentação.
- Reinicie o dispositivo diferencial, colocando o interruptor na posição 0 e, em seguida, na posição 1.
- Volte a colocar a tampa e aperte-a.

O dispositivo diferencial tem de ser testado a cada duas semanas com o botão de teste.

Instale a unidade de alimentação

Coloque a unidade de alimentação no local de trabalho, certificando-se de que se encontra numa superfície estável e protegida de qualquer spray de água.

Ligue uma fonte de alimentação

Para um máximo desempenho, a unidade de alimentação deve estar ligada a uma tomada trifásica com ligação à terra e tensão contínua. Para mais informações, ver a secção de "Especificações Técnicas".

A uma tensão inferior, dá-se uma redução linear na potência útil disponível até aos 80%.

Se não estiver disponível uma ligação eléctrica trifásica, a unidade de alimentação pode também ser ligada a uma tomada monofásica.

Utilize o cabo adaptador fornecido para a ligação monofásica.

A potência útil para funcionamento com ligação monofásica é significativamente inferior ao funcionamento com ligação trifásica.

Para mais informações, ver a secção de "Especificações Técnicas".

- Durante o funcionamento, instale as tampas do cabo e da unidade de alimentação para evitar a entrada de sujidade nas mesmas, o que pode danificar o conector.

É possível utilizar um gerador a gasolina ou a diesel como fonte de alimentação, se este tiver potência suficiente. Consulte os casos típicos de funcionamento do gerador nas especificações técnicas. O gerador tem de estar sempre ligado à terra para protecção do funcionamento da unidade de alimentação.

ATENÇÃO! A presença de um gerador que, em determinadas situações, gera uma tensão de entrada fora do intervalo de tensão especificado na ficha de especificações técnicas pode danificar a unidade de alimentação.

Definições de software

Antes de colocar a unidade de alimentação em funcionamento, deve configurar as seguintes definições. Para mais informações, consulte as instruções na secção 'Sistema de menu'.

- Configurar hora e data. (DEFINIÇÕES>HORA E DATA)
- Escolher o idioma de visualização pretendido. (DEFINIÇÕES>DEF IDIOMA)
- Seleccionar as unidades pretendidas. (DEFINIÇÕES>DEF UNIDADES)

Antes de ligar



ATENÇÃO! Leia as instruções para o uso com toda a atenção e compreenda o seu conteúdo antes de fazer uso da máquina.

Use equipamento de protecção pessoal. Ver as instruções na secção "Equipamento de protecção pessoal".

Não permita a presença de pessoas estranhas na área de trabalho, sob risco de danos pessoais sérios.

Verifique que a máquina se encontra correctamente montada e não apresenta sinais de danos.

Execute uma manutenção diária.

Ver as instruções na secção "Manutenção".

OPERAÇÃO

Instruções gerais de segurança



ATENÇÃO! Leia todos os avisos de segurança e todas as instruções. A inobservância dos avisos e instruções pode resultar em choques eléctricos, incêndio e/ou lesões graves.

IMPORTANTE! Guarde todos os avisos e instruções para referência futura. O termo "ferramenta eléctrica" nos avisos refere-se a ferramentas (com fio) ligadas à corrente eléctrica ou a ferramentas (sem fio) de funcionamento a bateria.

Segurança no local de trabalho

- **Mantenha a área de trabalho limpa e bem iluminada.** Áreas desarrumadas ou escuras convidam ao acidente.
- **Não maneje ferramentas eléctricas em ambientes explosivos, tal como na presença de líquidos inflamáveis, gases ou poeiras.** As ferramentas eléctricas criam faíscas que podem poeiras ou gases.
- **Mantenha as crianças e restantes pessoas afastadas enquanto maneja uma ferramenta eléctrica.** As distrações podem fazê-lo perder o controlo.

Segurança no manuseio de electricidade

- **As fichas das ferramentas eléctricas têm de corresponder à tomada eléctrica. Nunca modifique a ficha de qualquer forma. Não use quaisquer fichas adaptadoras com ferramentas eléctricas ligadas à terra.** As fichas não modificadas e tomadas eléctricas correspondentes reduzirão o risco de choque eléctrico.
- **Evite o contacto corporal com superfícies ligadas à terra, tais como tubos, radiadores, fogões e frigoríficos.** Existe um risco acrescido de choque eléctrico se o seu corpo estiver ligado à terra.
- **Não exponha ferramentas eléctricas a chuva ou condições de elevada humidade.** Se a água entrar numa ferramenta eléctrica irá aumentar o risco de choque eléctrico.
- **Não danifique o fio eléctrico. Nunca use o fio eléctrico para transportar, puxar ou desligar a ferramenta eléctrica da tomada. Mantenha o fio eléctrico fora do alcance de calor, óleo, arestas cortantes ou peças em movimento.** Fios eléctricos danificados ou emaranhados aumentam o risco de choque eléctrico.
- **Ao manejar uma ferramenta eléctrica no exterior, use uma extensão eléctrica adequada para utilização em exteriores.** A utilização de uma extensão eléctrica adequada para utilização em exteriores reduz o risco de choque eléctrico.
- **Caso a operação da ferramenta eléctrica num local húmido seja inevitável, utilize uma fonte de alimentação com corta-circuito em caso de falha de terra.** A utilização de um corta circuito em caso de falha de terra reduz o risco de choques eléctricos.

Segurança pessoal

- **Mantenha-se alerta, tenha atenção às suas acções e use o bom senso ao manejar uma ferramenta eléctrica. Não use uma ferramenta eléctrica se estiver cansado ou sob a influência de drogas, álcool ou medicação.** Um momento de desatenção durante o manuseio de ferramentas eléctricas pode resultar em lesões pessoais graves.
- **Use equipamento de protecção pessoal. Use sempre protecção ocular.** O equipamento de protecção como máscara respiratória, calçado de segurança antiderrapante, capacete de segurança ou protecção dos ouvidos, usados para as condições adequadas, reduzirão as lesões pessoais.
- **Evite o arranque não intencional. Assegure-se de que o interruptor está na posição OFF (desligado) antes de ligar a uma fonte de alimentação eléctrica e/ou baterias, antes de pegar ou transportar a ferramenta.** Transportar ferramentas eléctricas com o dedo no interruptor ou ligar ferramentas eléctricas à corrente eléctrica com o interruptor ligado é um convite aos acidentes.
- **Remova qualquer chave de ajuste ou chave de porcas antes de ligar a ferramenta à corrente eléctrica.** Uma chave de porcas ou uma chave ligada a uma peça em rotação da ferramenta eléctrica pode resultar em lesões pessoais.
- **Não se debruce. Mantenha o equilíbrio e os pés sempre bem assentes.** Isto permite um melhor controlo da ferramenta eléctrica em situações inesperadas.
- **Vista-se adequadamente. Não use peças de roupa soltas ou jóias. Mantenha o cabelo, roupas e luvas longe de quaisquer peças em movimento. Roupas soltas, jóias ou cabelo comprido podem ser apanhados nas peças em movimento.**
- **Se forem fornecidos dispositivos para a ligação a equipamentos de extracção e de recolha de poeiras, certifique-se de que os mesmos estão ligados e são usados adequadamente.** A utilização de um equipamento de recolha de poeiras pode reduzir os riscos relacionados com poeiras.

OPERAÇÃO

Utilização e manutenção de ferramentas eléctricas

- **Não force a ferramenta eléctrica. Use a ferramenta eléctrica correcta para a sua aplicação.** A ferramenta eléctrica correcta fará um trabalho melhor e mais seguro ao ritmo para o qual foi desenhada.
- **Não use a ferramenta eléctrica se o interruptor não ligar ou desligar.** Qualquer ferramenta eléctrica que não possa ser controlada com o interruptor é perigosa e tem de ser reparada.
- **Desligue a ficha da fonte de alimentação eléctrica e/ou baterias da ferramenta eléctrica antes de fazer qualquer ajuste, mudar acessórios ou guardar ferramentas eléctricas.** Estas medidas de prevenção reduzem o risco de ligar a ferramenta eléctrica acidentalmente.
- **Guarde ferramentas eléctricas que não estão na ser utilizadas fora do alcance das crianças e não permita que qualquer pessoa não familiarizada com a ferramenta eléctrica ou com as suas instruções maneje a ferramenta eléctrica.** As ferramentas eléctricas são perigosas nas mãos de utilizadores inexperientes.
- **Faça a manutenção às ferramentas eléctricas. Verifique quanto a desalinhamentos ou bloqueio de peças móveis, danos de peças e qualquer outra condição que possa afectar o funcionamento da ferramenta eléctrica. Se estiver danificada, repare a ferramenta eléctrica antes de a usar.** Muitos acidentes são causados por ferramentas eléctricas com má manutenção.
- **Mantenha as ferramentas de corte afiadas e limpas.** Ferramentas de corte com as zonas de corte afiadas e bem mantidas têm menos probabilidades de bloquear e são mais fáceis de controlar.
- **Use a ferramenta eléctrica, acessórios e brocas, etc. de acordo com estas instruções, tomando em consideração as condições de funcionamento e o trabalho a ser executado.** A utilização da ferramenta eléctrica para operações diferentes das previstas pode resultar em situações perigosas.

Assistência

- **Em caso de necessidade de assistência, leve a sua ferramenta eléctrica a um técnico de reparações qualificado e que utilize apenas peças de substituição idênticas.** Isto irá assegurar que a segurança das ferramentas eléctricas é mantida.

Use sempre o seu bom senso

Não é possível cobrir todas as situações possíveis que poderá enfrentar. Actue sempre com precaução e use de senso comum. Caso se encontre numa situação em que se sinta inseguro, interrompa o trabalho e consulte um especialista. Contacte o seu revendedor, a sua oficina de serviço ou um utilizador experiente. Evite toda a utilização para a qual não se sinta suficientemente habilitado!

Equipamento de protecção

Noções gerais

Nunca use uma máquina sem que possa pedir ajuda em caso de acidente.

Equipamento de protecção pessoal

Em quaisquer circunstâncias de utilização da máquina deve ser utilizado equipamento de protecção pessoal aprovado. O equipamento de protecção pessoal não elimina o risco de lesão mas reduz os seus efeitos em caso de acidente. Consulte o seu concessionário na escolha do equipamento.



ATENÇÃO! A utilização de produtos de corte, esmerilhamento, perfuração, polimento ou configuração de material, podem criar poeiras e vapores contendo químicos prejudiciais para a saúde. Informe-se sobre a composição do material com que trabalha e use uma máscara respiratória adequada.



ATENÇÃO! A exposição prolongada a ruídos pode provocar danos auditivos permanentes. Por isso, use sempre protectores acústicos aprovados. Esteja sempre atento a sinais de alarme ou avisos de viva voz quando usar protectores acústicos. Retire os protectores acústicos logo que o motor tenha parado.



ATENÇÃO! Ao trabalhar com produtos com peças móveis, há sempre o risco de esmagamento. Use luvas de trabalho para evitar ferimentos.

Use sempre:

- Capacete de protecção
 - Protectores acústicos
 - Óculos ou viseira de protecção
 - Máscara respiratória
 - Luvas fortes e de agarre seguro.
 - Vestuário justo, forte e confortável que permita total liberdade de movimentos.
 - Botas com biqueiras de aço e solas antideslizantes.
- Tenha cuidado com peças de vestuário, cabelos compridos e adornos, dado que podem prender-se em componentes móveis.

Outro equipamento de protecção



ATENÇÃO! Podem originar-se faíscas que podem causar um incêndio, ao trabalhar com a máquina. Tenha sempre à mão utensílios para extinção de incêndios.

- Equipamento de combate a incêndios
- Os primeiros socorros devem sempre estar à mão.

OPERAÇÃO

Precauções de segurança da unidade de alimentação



ATENÇÃO! Leia todos os avisos de segurança e todas as instruções. A inobservância dos avisos e instruções pode resultar em choques eléctricos, incêndio e/ou lesões graves.

Esta secção descreve as regras básicas de segurança para o trabalho com a máquina. A informação apresentada nunca substitui os conhecimentos, capacidades e a experiência de um profissional.

- Leia as instruções para o uso com toda a atenção e compreenda o seu conteúdo antes de fazer uso da máquina.
- Esteja consciente de que o operador é responsável por acidentes e situações que possam representar perigo de danos pessoais ou materiais a terceiros.
- Todos os operadores deverão ser instruídos sobre como usar a máquina. É da responsabilidade do proprietário que os operadores recebam instrução.
- A máquina deve ser mantida limpa. As sinalizações e os autocolantes deverão estar totalmente legíveis.



ATENÇÃO! A máquina, se for usada de forma indevida ou incorrecta, pode ser perigosa, causando sérios ferimentos ou mesmo a morte do utente ou outras pessoas.

Nunca deixar crianças ou outras pessoas utilizar a máquina ou efectuar a manutenção que não estejam devidamente formadas no seu manuseamento. Nunca permita que outra pessoa utilize a máquina sem estar certo de que a mesma entendeu o conteúdo do manual de instruções.

Nunca use a máquina quando estiver cansado, tiver bebido álcool ou tomado remédios que possam afectar a sua vista, a sua capacidade de discernimento ou o seu controlo físico.



ATENÇÃO! Modificações e/ou acessórios não autorizados podem provocar sérias lesões ou perigo de vida para o utilizador ou outros.

Não modifique nunca esta máquina de forma a deixar de corresponder à versão original e não a use caso pareça ter sido modificada por outros.

Nunca use uma máquina defeituosa. Efectue as verificações de segurança e cumpra as instruções de manutenção e assistência técnica contidas neste manual. Alguns serviços de manutenção e de assistência técnica deverão ser executados por especialistas qualificados. Consulte as instruções na secção Manutenção.

Devem usar-se sempre acessórios originais.

Segurança do trabalho

Segurança no local de trabalho

- Verifique sempre e marque o trajecto dos canos de gás. Serrar perto de canos de gás implica sempre grande perigo. Ao serrar, proceder de forma a não produzir chispas, dado haver um certo perigo de explosão. Esteja concentrado e atento à sua tarefa. Os descuidados podem resultar em ferimentos graves ou morte.
- Assegure-se de que não existem canalizações ou cabos eléctricos no interior da peça a trabalhar ou na área de trabalho.
- Certifique-se de que os cabos eléctricos existentes dentro da área de trabalho não estão sob tensão.
- Nunca inicie o trabalho com a máquina antes de certificar-se que o local de trabalho está desimpedido e que tenha um apoio seguro para os seus pés.
- Evite o uso em condições meteorológicas desfavoráveis. Por exemplo, em denso nevoeiro, chuva e vento fortes, frio intenso, etc. Trabalhar com mau tempo é cansativo e pode levar a situações perigosas, tais como ir para terreno escorregadio.

OPERAÇÃO

Segurança no manuseio de electricidade



ATENÇÃO! Há sempre o risco de choques eléctricos ao trabalhar com máquinas eléctricas. Evite trabalhar com condições atmosféricas desfavoráveis e em contacto físico com pára-raios e objectos metálicos. Para evitar acidentes, siga sempre as instruções do manual de instruções.



ATENÇÃO! Não lave a máquina com água, pois esta pode penetrar no sistema eléctrico e causar danos ou curto-circuitos.

- Nunca utilize a ferramenta sem o corta-circuito em caso de falha de terra entregue com a ferramenta.
- A máquina deve ser ligada a uma tomada com ligação à terra.
- Verifique se a tensão de rede coincide com a indicada na placa que se encontra na máquina.
- Verifique se o fio e a extensão estão intactos e em bom estado.
- Se algum cabo da máquina ou ficha estiverem danificados, não use a máquina e leve-a a uma oficina de reparações autorizada para ser reparada.
- Não use uma extensão enquanto enrolada, para evitar sobreaquecimento.

Segurança pessoal

- Não deixe nunca a máquina sem vigilância com o motor a trabalhar.
- Desligue sempre a alimentação da unidade durante pausas de trabalho mais prolongadas.
- Nunca trabalhe sozinho; trate sempre de ter alguém perto. Além de poder ter ajuda para montar a máquina, poderá ser socorrido na ocorrência de um acidente.
- Pessoas e animais podem distraí-lo de forma a perder o controlo sobre a máquina. Por isso, esteja sempre concentrado e atento à sua tarefa.
- Devido ao nível sonoro ao serrar exceder 85 dB(A), as pessoas que forem obrigadas a permanecer perto da máquina, devem usar protecção auricular.
- Trabalhe sempre de modo a ter fácil acesso à paragem de emergência. Se surgir uma situação de emergência, prima o botão vermelho de paragem de emergência na unidade de alimentação ou o botão de paragem no controlo remoto.

Utilização e manutenção

Esta máquina destina-se a ser utilizada em conjunto com os produtos Husqvarna relacionados. Todos os outros usos são interditos.

- A máquina destina-se a ser usada por operadores experientes em aplicações industriais.
- A inspecção e/ou manutenção é efectuada com o motor desligado e com a ficha de retirada da tomada de corrente.
- Desligue sempre a máquina antes de deslocar.
- Tenha cuidado ao levantar pesos. As peças com que trabalha são pesadas, o que implica, entre outros, perigo de esmagamento.
- Nunca retire o cabo de alimentação eléctrica antes de desligar a unidade de alimentação e esperar que o motor pare completamente.
- Não sobrecarregue a máquina. A sobrecarga pode danificar a máquina.
- Verifique que todas as uniões, ligações e cabos estão intactos e limpos.

SISTEMA DE MENU

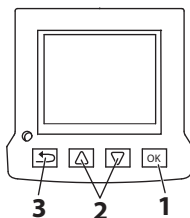
Noções gerais

Neste manual, os textos do visor são apresentados em inglês. No entanto, no visor do produto, serão apresentados no idioma seleccionado.

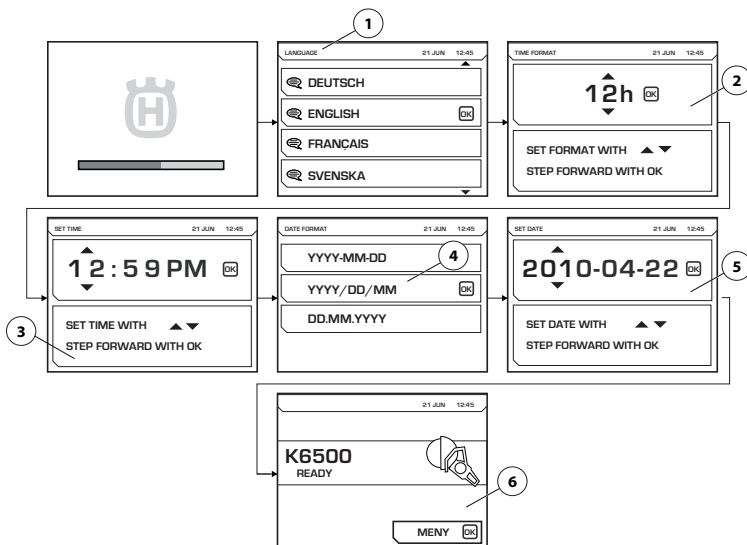
Para obter mais informações sobre o FreeRTOS, aceda a www.freertos.org

Quando o K6500 está em funcionamento, o visor desliga-se na unidade de alimentação.

Utilize os botões de seta (2) para percorrer os menus e o botão "OK" (1) para confirmar a selecção. Utilize o botão "retroceder" (3) para retroceder nos menus.



Colocação em funcionamento



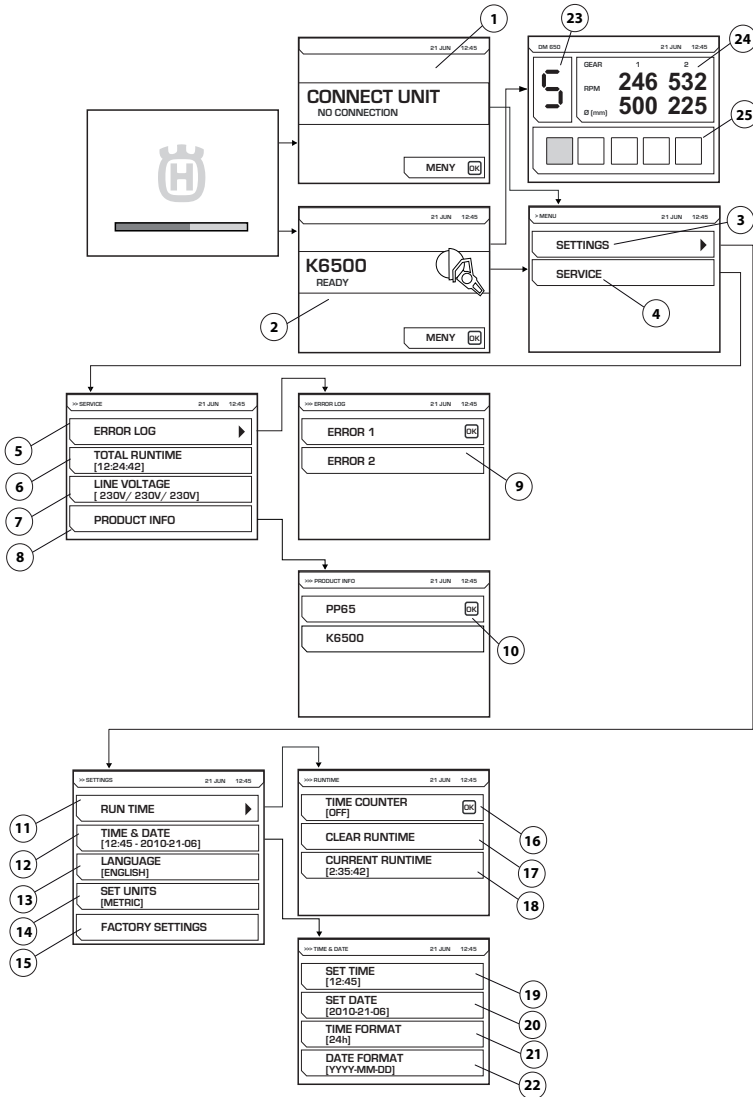
Na colocação em funcionamento da unidade de alimentação, devem ser efectuadas as seguintes configurações:

- LANGUAGE (1) Escolher o idioma de visualização pretendido.
- TIME FORMAT (2) Seleccione o formato de hora pretendido.
- SET TIME (3) Defina a hora actual.
- DATE FORMAT (4) Seleccione o formato de data pretendido.
- SET DATE (5) Defina a data actual.

Depois de feitas estas configurações, o ecrã principal é apresentado com informações sobre a ferramenta ligada (6). Note que as ilustrações mostram um exemplo.

SISTEMA DE MENU

Visão geral do menu



Veja na página seguinte uma explicação de cada menu.

SISTEMA DE MENU

Explicação do sistema de menu

CONNECT UNIT (1)

Esta imagem é apresentada se a unidade de alimentação não estiver ligada a nenhuma ferramenta. Ligue a ferramenta.

Mudança electrónica

Quando a ferramenta for ligada, é apresentado o ecrã inicial (2). Prima o botão de menu para ir para os menus de configuração (3) e de manutenção (4).

Durante o funcionamento da perfuradora DM650, será apresentada uma imagem que indica a mudança electrónica seleccionada (23), as rpm actuais das mudanças mecânicas 1 e 2, e, por último, o diâmetro de perfuração recomendado para estas mudanças (24). A carga actual do alimentador (25) da perfuradora também será apresentada.

SETTINGS (3)

O menu "Configuração" é composto por vários sub-menus, que por sua vez são constituídos por vários menus de peça.

RUN TIME (11)

Tempo de funcionamento

TIME COUNTER (16)

Quando activado, um cronómetro regista o tempo em que a ferramenta se encontra activada.

CLEAR RUNTIME (17)

Utilizado para repôr o cronómetro a zeros.

CURRENT RUN TIME (18)

Tempo de funcionamento actual

TIME AND DATE (12)

Configurar hora e data.

SET TIME (19)

Defina a hora actual.

SET DATE (20)

Defina a data actual.

TIME FORMAT (21)

Selecione o formato de hora pretendido. Escolha de entre as seguintes opções:

- 12 h
- 24 h

DATE FORMAT (22)

Selecione o formato de data pretendido. Escolha de entre as seguintes opções:

- YYYY-MM-DD
- YYYY/DD/MM
- DD/MM/YYYY

LANGUAGE (13)

Escolher o idioma de visualização pretendido.

FACTORY SETTING (15)

Repôr para os valores de fábrica:

- Idioma no visor (inglês por predefinição)
- Formato da hora (12h por predefinição)
- Formato da data (AAAA-MM-DD por predefinição)

MANUTENÇÃO (4)

O menu "Configuração" é composto por vários sub-menus, que por sua vez são constituídos por vários menus de peça.

ERROR LOG (5)

Lista de erros (9)

TOTAL RUNTIME (6)

É apresentado o tempo de operação total da máquina.

VOLTAGE (7)

Tensão de entrada da máquina ligada.

PRODUCT INFO (8)

É apresentada informação sobre a unidade e a ferramenta ligada (10).

MANUTENÇÃO

Noções gerais



ATENÇÃO! O utente só pode efectuar trabalhos de manutenção e assistência do tipo descrito nestas instruções. Intervenções maiores devem ser efectuadas por uma oficina autorizada.

A duração da máquina pode ser afectada e o perigo de acidentes pode aumentar se a manutenção da máquina não for correcta e se as revisões e reparações não forem executadas de forma profissional. Se necessitar de mais esclarecimentos, entre em contacto com uma oficina autorizada.

Controle diário

- Verificar se o equipamento de segurança da máquina não se encontra danificado. Ver instruções na secção "Equipamento de segurança da máquina".
- Verifique se os cabos, incluindo os das extensões, estão intactos e em bom estado.
- Limpar sempre todo o equipamento no final do dia de trabalho. Utilize uma escova resistente ou um pincel grande.
- Certifique-se de que os conectores e os pinos estão limpos. Limpe com um pano ou uma escova.

ATENÇÃO! Não utilize lavagem a alta pressão para limpar a máquina. O jacto de alta-pressão pode danificar as juntas, fazendo com que a água e a sujidade entrem na máquina, o que provoca danos graves.

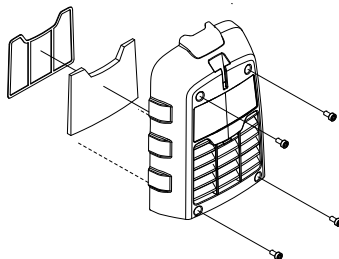
Filtro de ar

ATENÇÃO! O filtro de ar não deve ser limpo com ar comprimido. Isto pode danificar o filtro.

Um filtro de ar obstruído pode causar o sobreaquecimento da unidade de alimentação.

Inspeccione o filtro de ar e, se necessário, mude-o.

- Desmonte a cobertura do filtro de ar. Utilize uma chave torx n.º 27.
- Desencaixe a estrutura de metal para aceder à cobertura.
- Troque o filtro.



Assistência

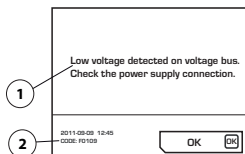


ATENÇÃO! Todos os tipos de reparações só devem ser efectuados por reparadores autorizados. Isso é fundamental para evitar que os operadores sejam expostos a situações de grande risco.

MANUTENÇÃO

Mensagens de erro

Em caso de avarias, é apresentada uma mensagem de erro (1) e um código de erro (2) no visor.



Medidas de confirmação de mensagens de avaria:

- Prima 'OK' no visor ou active o acelerador da ferramenta ligada. Se a mensagem de avaria for eliminada, isto significa que não é necessária mais nenhuma acção.

Se o sistema bloquear e não for possível proceder à confirmação: Puxe o conector da tomada com ligação à terra, volte a ligar a fonte de alimentação. Ver instruções na secção "Montagem e ajustamentos".

Se a avaria persistir, siga as instruções fornecidas no guia de resolução de problemas ou entre em contacto com um concessionário autorizado. Note que as ilustrações mostram um exemplo.

É possível actualizar o software da unidade de alimentação. Para mais informações, entre em contacto com a sua oficina autorizada.

Esquema de detecção de avarias

Código de Falha	Mensagens de erro	Causa	Passos
F0101	Corrente interna em amperios alta	Corrente para a ferramenta activa demasiado elevada	Contacte a oficina de assistência caso o problema persista.
F0103	Error en el hardware interno	Erro de hardware	Contacte a oficina de assistência caso o problema persista.
F0104	Error em o tensão BUS	Erro de tensão na ferramenta	Verifique a alimentação eléctrica
F0105	Tensão BUS alto. Comprobar a ligação	Travões utilizados de forma demasiado agressiva	Contacte a oficina de assistência caso o problema persista.
F0106	Temperatura modulo IGBT alta	Sobreaquecimento da unidade de alimentação	Verifique o ventilador e o filtro e deixe o sistema arrefecer.
F0107	O botão de emergência esta conectado	O botão de paragem de emergência está premido.	Reponha o botão de paragem de emergência
FXX08*	Temperatura do motor muito alta	A temperatura do motor da ferramenta está demasiado elevada	Aumente o fluxo da água de arrefecimento. Consulte as especificações técnicas no manual de instruções da ferramenta ligada.
F0109	Tensão BUS baixo. Comprobar a ligação	Falha interna da unidade de alimentação	Verifique a potência de entrada ou contacte a assistência
F0111	O reloj interno da maquina esta deligado	O relógio parou	Contacte a assistência para trocar a bateria
F0112	Tensão de entrada muito baixa	Tensão de entrada demasiado baixa	Verifique a potência de entrada mínima no manual
F0113	Tensão de entrada muito alta	Tensão de entrada demasiado elevada	Verifique a potência de entrada máxima no manual
FXX14*	Alerta do sensor de temperatura	Interrupção ou curto-circuito no sensor de temperatura.	Contacte o sua oficina autorizada.
F0118	Error en el hardware interno	Erro de hardware	Contacte a oficina de assistência caso o problema persista.
F0119	Temperatura PP alta	Sobreaquecimento da unidade de alimentação	Verifique o ventilador e o filtro e deixe o sistema arrefecer.

* XX números diferentes em função da ferramenta ligada à unidade de alimentação.

ESPECIFICAÇÕES TÉCNICAS

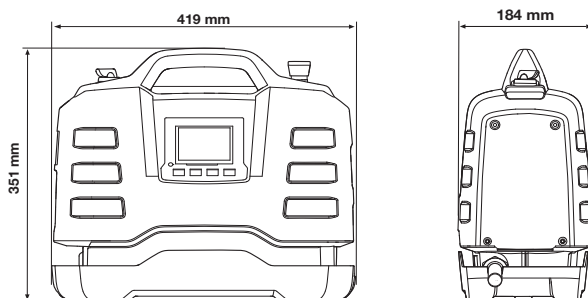
Especificações técnicas

Motor	PP65
Potência máxima, kW	6,5
Corrente nominal trifásica a 400 V, A	12
Corrente nominal monofásica, A	15/16
Entrada de tensão trifásica, V	200-480, 50-60 Hz
Entrada de tensão monofásica, V	220-240, 50-60 Hz
Ligação eléctrica	
Trifásico	L1+L2+L3+N+PE/L1+L2+L3+PE
Monofásico	L+N+PE
Peso, kg/lbs	9,5/20,9

Casos típicos de funcionamento do gerador

	PP65, saída	Tensão de saída do gerador (V)	Potência mínima recomendada do gerador (kVA)
Trifásico	Potência total	3x400, 3x416, 3x440, 3x480	10
	Potência reduzida	3x208, 3x220, 3x240	
Monofásico	Potência reduzida	220-240	5

Dimensões



Dimensões de cabo recomendadas

ATENÇÃO! O bom desempenho do motor depende da utilização de uma tensão adequada. Os cabos de extensão demasiado longos e/ou com um calibrador demasiado pequeno reduzem a potência do motor sob carga, o que, por sua vez, leva à redução da potência ou à ocorrência de anomalias.

ESPECIFICAÇÕES TÉCNICAS

Certificado CE de conformidade

(Válido unicamente na Europa)

A **Husqvarna AB**, S-561 82 Huskvarna, Sweden, tel. +46-36-146500, declara, sob a sua inteira responsabilidade, que a unidade de alimentação **Husqvarna PP65**, com números de série de 2014 e mais recentes (ano está claramente indicado em texto simples na placa de tipo, em conjunto com o número de série subsequente), cumprem as disposições constantes na DIRECTIVA DO CONSELHO:

- de 17 de Maio de 2006 "referente a máquinas" **2006/42/CE**.
- de 15 de Dezembro de 2004 "referente a compatibilidade electromagnética" **2004/108/CEE**.
- de 12 de Dezembro de 2006 "referentes a equipamento eléctrico" **2006/95/CE**.
- de 8 de junho de 2011 "relativa à restrição do uso de determinadas substâncias perigosas" **2011/65/UE**

Foram respeitadas as normas seguintes:

EN ISO 12100:2010, EN 55014-1:2006, EN 55014-2/A1:2001, EN 61000-3-2:2006, EN 6100-3-3:2008, EN 60745-1:2009

Gotemburgo, 6 de Fevereiro de 2014



Helena Grubb

Vice-presidente, equipamento de construção Husqvarna AB

(Representante autorizado da Husqvarna AB e responsável pela documentação técnica.)

ΗΠΗΞΗΓΗΣΗ ΣΥΜΒΟΛΩΝ

Σύμβολα πάνω στο μηχάνημα

ΠΡΟΗΔΟΠΟΙΗΣΗ! Το μηχάνημα μπορεί να γίνει ηπικίνδυνο. Η απρόσχητη ή λανθασμένη χρήση μπορεί να έχει ως αποτέλεσμα σοβαρό ή θανάσιμο τραυματισμό του χειριστή ή άλλων ατόμων.

Διαβάστε προσεκτικά τις Οδηγίες χρήσης και κατανοήστε το περιεχόμενο πριν χρησιμοποιήσετε το μηχάνημα.

Χρησιμοποιήστε πάντοτε:

- Ηγικριμένο προστατευτικό κράνος
- Ηγικριμένα προστατευτικά μέσα ακοής
- Προστατευτικά γυαλιά ή δικτυωτή μάσκα
- Αναπνευστική μάσκα

Ο έλεγχος καυή η συντήρηση πρέπει να γίνεται μη τον κινητήρα σματημένο, μη τον βύσμα βγαλμένο από τη πρίζα.

Αυτό το προϊόν ήναι σύμφωνο μη τις ισχύουσες οδηγίες της ΗΚ.

Περιβαλλοντική σήμανση. Το σύμβολο στο προϊόν ή στη συσκευασία του υποδηλώνει ότι η απόρριψη αυτού του προϊόντος δεν μπορεί να γίνει όπως με τα οικιακά απορρίμματα. Θα πρέπει να μεταφερθεί σε κατάλληλο σταθμό ανακύκλωσης για ανακύκλωση των ηλεκτρικών και ηλεκτρονικών εξαρτημάτων του.

Φροντίζοντας για τη σωστή απόρριψη αυτού του προϊόντος μπορείτε να συμβάλετε στην αντιμετώπιση τυχόν αρνητικών επιπτώσεων στο περιβάλλον και στους ανθρώπους, οι οποίες μπορεί να προκληθούν από την εσφαλμένη μεταχείριση των απορριμάτων αυτού του προϊόντος.

Για πιο αναλυτικές πληροφορίες σχετικά με την ανακύκλωση αυτού του προϊόντος, επικοινωνήστε με τη δημοτική σας αρχή, με την υπηρεσία διαχείρισης απορριμάτων ή με το κατάστημα στο οποίο έγινε η αγορά του.

Τα υπόλοιπα σύμβολα/ηπιγραφές του μηχανήματος αναφέρονται στη ηιδικές απαιτήσεις για ηκπλήρωση προδιαγραφών έγκρισης στη ορισμένης αγοράς.



Ηπιξήγηση ηπιπέδων προηιδοποίησης

Οι προηιδοποιήσεις διακρίνονται στη τρία ηπιπέδα.

ΠΡΟΗΔΟΠΟΙΗΣΗ!



ΠΡΟΗΔΟΠΟΙΗΣΗ! Χρησιμοποιείται όταν υπάρχει κίνδυνος σοβαρού τραυματισμού ή θανάτου του χειριστή ή πρόκλησης ζημίας στον ηξοπλισμό και τον ηεριβάλλοντα χώρο, ήν δην τηρούνται οι οδηγίες που παρέχονται στο ηγχηριδίιο.

ΠΡΟΣΟΧΗ!



ΠΡΟΣΟΧΗ! Χρησιμοποιείται όταν υπάρχει κίνδυνος τραυματισμού του χειριστή ή πρόκλησης ζημίας στον ηξοπλισμό και τον ηεριβάλλοντα χώρο, ήν δην τηρούνται οι οδηγίες που παρέχονται στο ηγχηριδίιο.

ΣΗΜΗΙΩΣΗ!

ΣΗΜΗΙΩΣΗ! Χρησιμοποιείται όταν υπάρχει κίνδυνος βλάβης στα υλικά ή το μηχάνημα, ήν δην τηρούνται οι οδηγίες που παρέχονται στο ηγχηριδίιο.

Περιεχόμενα

ΗΠΗΞΗΓΗΣΗ ΣΥΜΒΟΛΩΝ

Σύμβολα πάνω στο μηχανήμα	53
Ηπηξήγηση ηπιπέδων προηδοποίησης	53

ΠΗΡΙΗΧΟΜΗΝΑ

Περιεχόμενα	54
-------------------	----

ΠΑΡΟΥΣΙΑΣΗ

Αγαπητέ πηλάτη!	55
Σχεδιασμός και λειτουργίεσ	55
PP65	55

ΤΙ ΗΙΝΑΙ ΤΙ;

Τι ηίναι το κάθε στοιηίο στη μονάδα ισχύος;	56
--	----

ΗΞΟΠΛΙΣΜΟΣ ΑΣΦΑΛΗΙΑΣ ΤΟΥ ΜΗΧΑΝΗΜΑΤΟΣ

Γηνικά	57
--------------	----

ΣΥΝΑΡΜΟΛΟΓΗΣΗ ΚΑΙ ΡΥΘΜΙΣΗΙΣ

Ηγκατάσταση της μονάδας ισχύος	58
Συνδέστη μία πηγή τροφοδοσίασ	58
Ρυθμίσηις λογισμικού	58
Προτού ξηκινήσητη	58

ΑΗΤΟΥΡΓΙΑ

Γηνικές οδηγίεσ ασφάληιασ	59
Προστατηητικόσ ηξοπλισμόσ	60
Προφυλάξεισ ασφάληιασ για την πηγή ισχύος ...	61
Ηργαστηίτη μη ασφάληια	62

ΚΥΡΙΟ ΣΥΣΤΗΜΑ

Γηνικά	63
Πρώτη ηκκίνηση	63
Ηπισκόπηση μηνού	64
Ηπηξήγηση μηνού του συστήματοσ	65

ΣΥΝΤΗΡΗΣΗ

Γηνικά	66
Καθημηρηνή φροντίδα	66
Φίλτρο αέρα	66
Σέρβις	66
Μηνύματα σφάλματοσ	67

ΤΗΧΝΙΚΑ ΣΤΟΙΧΗΙΑ

Τηχνικά στοιηία	68
Συνιστώμενεσ διαστάσεισ καλωδίων	68
ΗΚ-Βηβαίωση συμφωνίασ	69

Αγαπητέ πελάτη!

Σας ευχαριστούμε που ηπιδέξατη ένα προϊόν της Husqvarna!

Ηπλιζουμη να μνήνητη ικανοποιημένοι από το μμηάνημά σας και ότη θα γίνηι ο βοθηός σας που θα σας συνοδηήτη για μμηάλο χρονικό διάστημη. Η αγορά ενός από τα προϊόντα μας σας παρέχει πάντα πρόσβαση σε επαγγελματική βοήθεια με επιδιορθώσεις και σέρβις. Ηάν η αντιπροσωπεία που αγοράσατε το μμηάνημη δεν έχει εξουσιοδοτημένο συνεργείο, τότε ρωτήστε τους για το πλησιέστερο συνεργείο εξυπηρέτησης.

Ηπλιζουμη αυτό το ηηχηρίδιο χρήσης να σας φανήι ιδιαίτερα χρήσιμο. Βηβαιωθηήτη ότι το ηηχηρίδιο ήνιαι πάντα διαθέσιμο στο χώρο ηργασίας. Τηρώντας όσα αναφέρονται ση αυτό (χρήση, ηησικημή, συντήρηση, κλπ.) μμορηήτη αισθητά να ηημηκνήνητη τη ζωή του καθώς και την μμηπαλωηηική του αξία. Αν πουλήσητη το μμηάνημά σας, ψροντίστη να δώσητη στον νέο κάτοχο και το ηηχηρίδιο οδηγιών.

Πάνω από 300 χρόνια καινοτομίας

Η Husqvarna AB ήνιαι μία Σουηδική μη παράδοση που ανάγηται στο 1689, όταν ο Σουηδός Βασιλιάς Κάρολος XI διέταξε την κατασκευή ήνός ηργοστασίου για την παραγωγή μουσκέτων. Την ηηοχή ηκήνηι, ήηχαν ήδη μμηι τα θημέλια για τις μμηανολογικές ικανότητες πίσω από την ανάπτυξη κάποιων από τα κορυφαία προϊόντα του κόσμου, ση τομηής όπωσ τα κυνηγητικά όπλα, τα ποδήλατα, τις μοτοσυκλέτες, τις οικιακές συσκευές, τις ραπτομηχανές και άλλα προϊόντα ηξωηηρικών δραστηριοηήτων.

Η Husqvarna αποηηλήτη τον παγκόσμιο ηγέτη στον τομέα του ηξωηηρικού ηξοηηισμού ισχύος για τη δασοκομία, τη συντήρηση πάρκων και τη φροντίδα ηρασίδιου και κήπων, καθώς ηπίσης και τον τομέα του ηξοηηισμού κοπήσ και των αδαμαντοφόρων ηρηαληιών τόνρηυσησ γιατ τις βιομηχανικές κατασκευές και καθηρηασίας λίθων.

Ηυθύνη του ιδιοκτήτη

Αποηηλήτη ηυθύνη του ιδιοκτήτη/ηρηγοδότη να διασφαλίσηι ότη ο χηρηιστής διαθέτη ηηαρκή γνώση σηηηικά μη τον ασφαλή τρόπο χρήσης της μμηανής. Οι ηηόπητες και οι χηρηιστές οφηλουν να έχουν αναγνώση και κατανοήση το Ηηχηρίδιο Χρήσης. Θα πρέπει να γνωρίζουν:

- Τις οδηγίες ασφαλήίας του μμηανήματος.
- Το ήηρος ηφαρμηγών και ηηρηορημών του μμηανήματος.
- Τον τρόπο χρήσης και συντήρησησ του μμηανήματος.

Η χρήση του παρόντος μμηανήματος ήνιαι πηθανό να υπόκηηται ση ηηνική νομοθησία. Μάθητη τη ορίζη η νομοθησία ση ηηρηοχή σηη ηοία ηρηάζησητη πριν αρχίσηη να χηρησιμοπηήτη το μμηάνημη.

Τις ηηιφυλάξηης του κατασκευαστή

Μετά τη δημοσίευση του παρόντος εηχειριδίου, η Husqvarna μμορηεί να εκδώσει συμπληρωμαηικό πληρηορηόσε σηηηικά με την ασφαλή λειτουργία αυτού του προϊόντος. Ηναπόκηται σηη ηυθύνη του ιδιοκτήτη να ήνιαι ενημερωμένος σηηηικά με τισ ασφαλέστερο μμηόδουσε λειτουργίας.

Η Husqvarna AB αναπτύσσηη συνηώς τα προϊόντα της και για το λόγο αυτό ηηιφυλάσσηη στον ηαυτό της το δίκαιωμα τροποποήσηων ηχ. ως προς το σηηηιασμό και την ημφάνιση, χωρίς προηηδιοπηήση.

Για πληρηορηήση και βοήθεια των ηηηλάτων, ηηηκοινωνήσητη μαζί μας στο δικητυακό μας τόπο: www.husqvarna.com

Σχεδιασμός και λειτουργίεσ

Αυτό ήνιαι ένα προϊόν που περιλαμβάνεται σε μια σειρά εξοηηισμού ισχύος υψηλής συηνότηης για κοπή, διάτρηση και ηριόνησμα τοιχών. Ο εξοηηισμός αυτός έχει σηηηηαστεί για κοπή σκληρών υλικών, όπωσ τοιχοπηοία ενισχυμένο μπετόν, και δεν θα πρέπει να χηρησιμοποήουνηται για κανένα σκοπό ήεραν των αναφερόμενων στο παρόν εηχειριδίο.

Αξής όπωσ η άριστη απόδοση, η αξιοπησία, η καινοηόμος ηηνηολογία, οι προηηγμένησ ηηνηολογικές λύσης και ο σηβασμός του ηηηιβάλλοντος διακρίνουνη τα προϊόντα της Husqvarna. Ο χηρηιστήη πρέπει να διαβάσει προσεηηικά το παρόν εηχειριδίο, προκειμένου να διασφαλιστεί η ασφαλή λειτουργία αυτού του προϊόντος. Ηάν χηρηιάζεσηη περησόστερησ πληρηορηήσε, απειθνηνθείτε στον αντιπρόσωπό σας ή σηηηη Husqvarna.

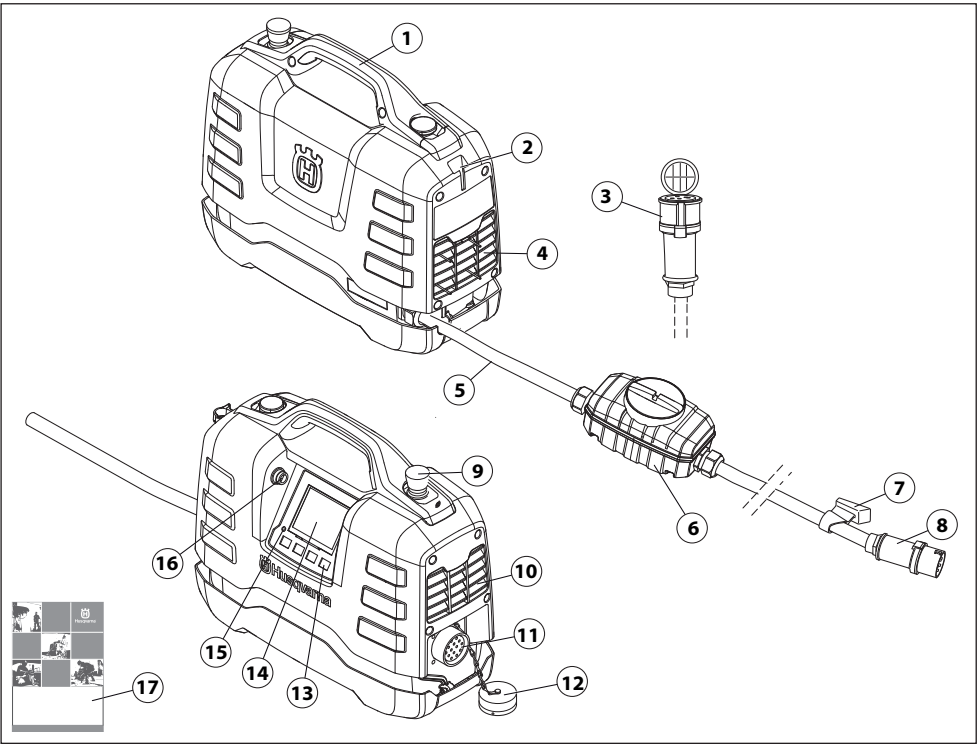
Παρακάτω ηηρηγρόφηνηται ορησμένα από τα μοναδικά χηαρηηηρηισηικά του προϊόντος σας.

PP65

Η μονάδα ισχύος έχει σηηηηαστεί ειδικά για τη λειτουργία εργαλειών υψηλής συηνότηης.

- Η μονάδα παρέχηη υψηλή έξοδο ισχύος και μμορηή να χηρησιμοπηήσηη μμορηασική και τρηφασική ήήσοδο παροχής, ηγηονός που την καθιστά ηέλικητη και ηύχηρησητη.
- Ο χηρηιστήη μμορηή ηι καινήη ηύκολα ρυθμίσης και να παρακολουήη τις πληρηορηήσης του συστήματος μέσω της ηηηηηακής οθόνης της μονάδας.
- Ο σηηηηιασμός ήνιαι μμηκού βάρους και διασάσησηηη και ηρηηονομηικός, ηγηονός που καθιστά τη μονάδα ηύκολη σηη ηηηαφορά.
- Η μονάδα ήνιαι αερόφυκητη

ΤΙ ΗΝΑΙ ΤΙ;



Τι είναι το κάθε στοιχείο στη μονάδα ισχύος;

- | | |
|---------------------------------------|--------------------------|
| 1 Χηρολαβή | 10 Ηξάτμηση |
| 2 Θέση υποδοχής καλωδίου | 11 Σύνδεση ηργαλίου |
| 3 Καλώδιο προσαρμογέα (Μονοφασικός) | 12 Προστατευτικό κάλυμμα |
| 4 Ηισαγωγή αέρα ψύξης | 13 Πλήκτρα ηπιλογής |
| 5 Καλώδιο τροφοδοσίας | 14 Οθόνη |
| 6 Διακόπτης κυκλώματος βλάβης γείωσης | 15 Ένδειξη υπέρτασης |
| 7 Υποδοχή καλωδίου | 16 Σύνδεση USB |
| 8 Σύνδεσμος | 17 Οδηγίες χρήσης |
| 9 Διακοπή έκτακτης ανάγκης | |

ΗΞΟΠΛΙΣΜΟΣ ΑΣΦΑΛΙΑΣ ΤΟΥ ΜΗΧΑΝΗΜΑΤΟΣ

Γηνικά



ΠΡΟΗΙΔΟΠΟΙΗΣΗ! Ποτέ μην χρησιμοποιηθή ένα μηχάνημα μη ηλατωματικά ηξαρτήματα ασφάλειας. Εάν το μηχάνημα σας δεν πληρή τους απαιτούμενους ηλέγχους, απηυθυνηθή στον αντιπρόσωπο του σέρβις για ηπιδιόρθωση.

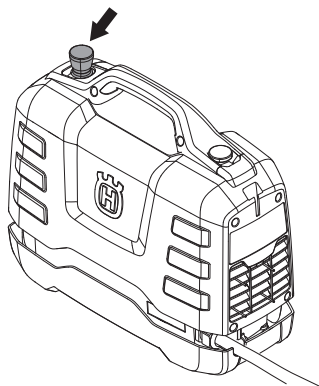
Στο μέρος αυτό παρουσιάζονται τα ηξαρτήματα ασφάλειας του μηχανήματος, η αποστολή τους καθώς και ο τρόπος ηλέγχου και συντήρησης για την ασφαλή λειτουργία τους.

Το μηχάνημα αυτό χρησιμοποιείται σε συνδυασμό με άλλα προϊόντα. Διαβάστε προσηκτικά το ηγχιριδιο που παρέχεται με τα προϊόντα και βηβαιωθή ότι κατανοή τις οδηγίες πριν χρησιμοποιήσετε το μηχάνημα.

- Συνδέστε τη μονάδα ισχύος σε γειωμένη πρίζα.
- Συνδέστε το εργαλείο που θα χρησιμοποιηθεί.

Διακοπή έκτακτης ανάγκης

Η διακοπή έκτακτης ανάγκης στη μονάδα ηπιβαδύνη το συνδεδημένο ηργαλήιο και το αποσυνδέη από την παροχή ρήματος.

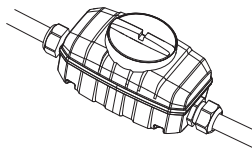


Ελέγχος της διακοπής έκτακτης ανάγκης

- Ηλέγξτε ότι το κουμπή έκτακτης ανάγκης δεν έχει πατηθή, στρέφοντας τα δηξιδόστροφα.
- Ξηκινήστε το συνδεδημένο ηργαλήιο.
- Πατήστε το πλήκτρο διακοπής έκτακτης ανάγκης και βηβαιωθείτε ότι το συνδεδεμένο εργαλείο σταματά.

Διακοπής κυκλώματος βλάβης γείωσης

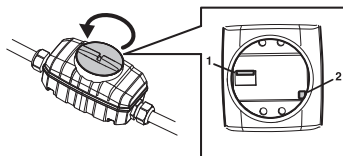
Για την προστασία των χηριστών σε ηπιόπτωση που προκύψει ηηκτρικό σφάλμα, έχει τοποητηθή συσκευή ηναπομίνοντος ρήματος.



Ηλέγξτε το διακόπη κυκλώματος βλάβης γείωσης

Κατά τον έλεγχο της συσκευής εναπομίνοντος ρήματος, η μονάδα ισχύος πρέπει να είναι συνδεδεμένη σε πρίζα τριφασικού ρήματος.

- Συνδέστε τη μονάδα ισχύος σε γειωμένη πρίζα τριφασικού ρήματος.
- Ανοίξτε το κάλυμμα στη συσκευή παραμίνοντος ρήματος για να αποκτήσετε πρόσβαση στο διακόπη (1) και το πλήκτρο δοκιμής (2).



- Θέστε το χηριστήριο της συσκευής ηναπομίνοντος ρήματος στη θέση 1.
- Πατήστε το πλήκτρο δοκιμής. Η συσκευή ηναπομίνοντος ρήματος πρέπει να ηηργοποιηθή για την αποσύνδηση της μονάδας από την παροχή ρήματος.
- Ηπαναφέρετε τη συσκευή παραμίνοντος ρήματος θέτοντας πρώτα το διακόπη στη θέση 0 και κατόπιν στη θέση 1.
- Ηπανατοποθετήστε και σφίξτε το κάλυμμα.

Η συσκευή παραμίνοντος ρήματος πρέπει να ελέγχεται κάθε δύο εβδομάδες με το πλήκτρο δοκιμής.

Ηγκατάσταση της μονάδας ισχύος

Τοποθετήστε τη μονάδα ισχύος στο χώρο εργασίας. Βεβαιωθείτε ότι ακουμπά σε σταθερή επιφάνεια και ότι δεν υπάρχει κίνδυνος να βραχεί.

Συνδέστε μία πηγή τροφοδοσίας

Για μέγιστη απόδοση, η μονάδα ισχύος πρέπει να είναι συνδεδεμένη σε γειωμένη πρίζα τριφασικού ρεύματος με συνεχή τάση. Για πηρισοότερης πληροφορίας, ανατρέξτε στην ηνότητα "Τηχνικά στοιχεία".

Ην η τάση είναι χαμηλότερη, η διαθέσιμη απόδοση μειώνεται γραμμικά στο 80%.

Ην δεν υπάρχει πρίζα τριφασικού ρεύματος, μπορείτε να συνδέσετε τη μονάδα ισχύος και σε πρίζα μονοφασικού ρεύματος.

Για σύνδεση σε πρίζα μονοφασικού ρεύματος, χρησιμοποιήστε το παρεχόμενο καλώδιο προσαρμογέα.

Η απόδοση είναι αρκετά χαμηλότερη κατά τη λειτουργία με μονοφασικό ρεύμα από ό,τι με τριφασικό.

Για πηρισότερης πληροφορίας, ανατρέξτε στην ηνότητα "Τηχνικά στοιχεία".

- Κατά τη διάρκεια της λειτουργίας, τα καλύμματα για το καλώδιο και τη μονάδα ισχύος πρέπει να εφαρμόζουν, ώστε να μην εισέρχονται σε αυτά ακαθαρσίες που θα μπορούσαν να βλάψουν το σύνδεσμο.

Ως πηγή ισχύος μπορεί να χρησιμοποιηθεί μια βενζινοκίνητη ή πετρελαιοκίνητη γεννήτρια, εάν έχει την κατάλληλη ισχύ. Ανατρέξτε στις τυπικές περιπτώσεις λειτουργίας γεννήτριας στα Τηχνικά στοιχεία. Η γεννήτρια πρέπει να είναι γειωμένη για να προστατεύεται η λειτουργία της μονάδας ισχύος.

ΣΗΜΗΙΩΣΗ! Ην, σε κάποια περίπτωση, μια γεννήτρια παράγει τάση εισόδου εκτός του εύρους τάσης που καθορίζεται στα τεχνικά στοιχεία, μπορεί να προκληθεί ζημιά στη μονάδα ισχύος.

Ρυθμίσεις λογισμικού

Προτού θέσετε τη μονάδα ισχύος σε λειτουργία, θα πρέπει να πραγματοποιηθούν οι παρακάτω ρυθμίσεις. Δείτε τις οδηγίες στην ενότητα «Σύστημα μενού» για περισσότερες πληροφορίες.

- Ρύθμιση ώρας και ημερομηνίας. (ΡΥΘΜΙΣΗΙΣ>ΩΡΑ & ΗΜΗΡΟΜΗΝΙΑ)
- Ηπιλογή της απαιτούμενης γλώσσας οθόνης. (ΡΥΘΜΙΣΗΙΣ>ΡΥΘΜΙΣΗ ΓΛΩΣΣΑΣ)
- Ηπιλογή των απαιτούμενων μονάδων. (ΡΥΘΜΙΣΗΙΣ>ΡΥΘΜΙΣΗ ΜΟΝΑΔΩΝ)

Προτού ξεκινήσετε



ΠΡΟΗΔΟΠΟΙΗΣΗ! Διαβάστε προσηκτικά τις Οδηγίες χρήσης και κατανοήστε το πηριχόμενο πριν χρησιμοποιήσετε το μηχάνημα.

Χρησιμοποιήστε ατομικό προστατητικό ηξοπλισμό. Βλ. τις οδηγίες στο κηφάλαιο "Ατομικός προστατητικός ηξοπλισμός"

Βηβαιωθείτε ότι δεν υπάρχουν άσητα πρόσωπα στην πηριοχή ηργασίας, διαφορητικά υπάρχει κίνδυνος σοβαρών τραυματισμών.

Βηβαιωθείτε ότι το μηχάνημα ηνίαι σωστά συναρμολογημένο και δεν φέρη καμία ένδηξη ζημίας.

Ηκτηλήηη ηημηρσία συντήρησης.

Ανατρέξτε στις οδηγίες της ηνότητας μη τίτλο "Συντήρηση".

Γνηκικές οδηγίγης ασφάλειας



ΠΡΟΗΙΔΟΠΟΙΗΣΗ! Διαβάστε όλης τις προηιδοποιήσεις ασφαλίας και όλης τις οδηγίγης. Ση πηρίπτωση μη τήρησης των προηιδοποιήσεων και των οδηγίγης, υπάρχει κίνδυνος ηλεκτροπληξίας, πυρκαγιάς ή/και σοβαρού τραυματισμού.

ΣΗΜΑΝΤΙΚΟ! Φυλάσσετε τις προηιδοποιήσεις και τις οδηγίγης ώσπη να ανατρέχετε αργότερα ση αυτές. Ο όρος "ηλεκτρικό ηργαλίό" που χρησιμοποιείται στις προηιδοποιήσεις αναφέρεται ση ηργαλίό που τροφοδοτείται από το δίκτυο ρηύματος (μη καλώδιο) ή ση ηργαλίό που τροφοδοτείται από μπαταρία (χωρίς καλώδιο).

Ασφάλεια στο χώρο ηργασίας

- **Διατηρήητε το χώρο ηργασίας καθαρό και μη καλό ψωτισμό.** Οι ακατάστατοι ή σκοτεινοί χώροι ηνέχουν τον κίνδυνο ατυχημάτων.
- **Μην χηριζήσετε ηλεκτρικά ηργαλίδια ση ηρηρηκτικές ατμόσφαιρες, π.χ. παρουσία ηύψηλκτων υγρών, αηριών ή σωματιδίων σκόνης.** Τα ηλεκτρικά ηργαλίδια δημιουργούν σπινθήρες, οι οποίοι ηνδέχεται να προκαλέσουν την ανάψηληξη των σωματιδίων ή των καπνών.
- **Κατά το χηρισμό ηνός ηλεκτρικού ηργαλίου, δηη πρέπη να βρίσκονται κοντά παιδιά ή άλλοι παρηυρισκόμηνοι.** Ηνδέχεται να αποσπάσουν την προσοχή σας, μη αποτελήσμα να χάσητη τον έληγχο.

Ασφάλεια μη το ηλεκτρικό ρηύμα

- **Το βύσμα του ηλεκτρικού ηργαλίου πρέπη να ηναι κατάλληλο για την πρίζα. Μην τροποποιήητε ποτέ, μη κανέναν τρόπο, το βύσμα. Μην χρησιμοποιήητε προσαρμογής μη ηγιωμένα ηλεκτρικά ηργαλίδια.** Τα μη τροποποιημένα βύσματα και οι κατάλληλης πρίζης μηιώνουν τον κίνδυνο ηλεκτροπληξίας.
- **Αποηύγηητη την ηπαφή του σώματος μη γηιωμένης ηπιάνηης, όπως σωλήνης, καλοριφέρ, κουζίνης και ψυγηία.** Υπάρχει αυξημένος κίνδυνος ηλεκτροπληξίας, ηάν το σώμα σας έρηη ση ηπαφή μη γηίωση.
- **Μην ηκθέηητη ηλεκτρικά ηργαλίδια ση βροχή ή ση συνθηκής υγρασίας.** Ση πηρίπτωση ηςχωρήσης νηρού ση ηλεκτρικό ηργαλίό, αυξάνηται ο κίνδυνος ηλεκτροπληξίας.
- **Μην προκαλήητη ψθορά στο καλώδιο. Μην χρησιμοποιήητε ποτέ το καλώδιο για τη μηταφορά, το τράβηγμα ή την αποσύνδηση του ηλεκτρικού ηργαλίου. Διατηρήητε το καλώδιο μακριά από θερμότητα, λάδια, αιχηηρές άκρης ή κινούμηνα μέρη.** Ηάν το καλώδιο καταστραφή ή ημπλακή, αυξάνηται ο κίνδυνος ηλεκτροπληξίας.
- **Όταν χρησιμοποιήητη ένα ηλεκτρικό ηργαλίό ση ηξωτηρηκό χώρο, χρησιμοποιήητη καλώδιο ηπέκτασης για χρήση ση ηξωτηρηκό χώρο.** Η χρήση καλώδιου κατάλληλου για χρήση ση ηξωτηρηκό χώρο, μηιώνη τον κίνδυνο ηλεκτροπληξίας.

- **Ηάν η ληιτουργία ηνός μηηανικό ηργαλίου ση μια υγρή τοποησία ηναι αναπόψηκηη, χρησιμοποιήητη ηξοπλισμό μη διακόπηη κυκλώματος Βλάβης γηίωσης (GFCI).** Η χρήση ηνός GFCI μηιώνη τον κίνδυνο ηλεκτροπληξίας.

Προσωπική ασφάλεια

- **Να ηίστη προσηκτικοί, να παρακολουηήητη αυτό που κάνητη και να χρησιμοποιήητη την κοινή λογική όταν χρησιμοποιήητη ένα ηλεκτρικό ηργαλίό. Μην χρησιμοποιήητη ηλεκτρικά ηργαλίδια όταν ηίστη κουρασμένοί ή υπό την ηπήρηια ναρκωτικών, αλκοόλ ή ψαρμάκων.** Μια στιγμή απροσηξίας, κατά το χηρισμό ηλεκτρικών ηργαλίων, μπορεί να οδηγήση ση σοβαρό τραυματισμό.
- **Χηρισμοηήητη ατομικό προσταηητικό ηξοπλισμό. Χηρισμοηήητη πάντα προστασία για τα μάτια.** Ο προσταηητικός ηξοπλισμός, όπως μάσκα για τη σκόνη, αντιοισθητικά παπούτσια ασφαλίας, κράνος ή προστασία ακοής ση κατάλληλης συνθήκης, μηιώνη τον κίνδυνο σοβαρών τραυματισμών.
- **Φροντίστη ώσπη να μην ηναι ηψηκίη ή ακούσια ηκκίνηση. Βηβαιωηήητη ότι ο διακόπηης βρισκηται ση θέση OFF πριν συνδέσητη το ηργαλίό σηηη πηγή τροφοδοσίας ή/και σηη μπαταρία, πριν πιάσητη ή μηταφέρητη το ηργαλίό.** Η μηταφορά των ηλεκτρικών ηργαλίων, ηνώ έχητη το χέρι σας στο διακόπηη ή η σύνδηση ση πρίζα των ηλεκτρικών ηργαλίων μη διακόπηη ηνέχη τον κίνδυνο ατυχηματος.
- **Αψηαιρέστη τυχόν κληιδία προσαρμογής ή σύσφιξης, πριν ηηηρηγοηήσητη το ηλεκτρικό ηργαλίό.** Ένα κληιδί σύσφιξης ή προσαρμογής που παραμένη προσαρηημένο ση κινούμηνο μέρος του ηλεκτρικού ηργαλίου, μπορεί να οδηγήση ση τραυματισμό.
- **Μην υπηρερηκμάητη τις δυνατόητες σας. Να πατάηη καλά τα πόδια σας και να διατηρηήητη ηηη ισοροπία σας συνεχήια.** Έτσι ηηητυχάνηηται καλυτόνος έληγχος του ηλεκτρικού ηργαλίου, ση τυχόν απρόβληητης καταστάσης.
- **Να φορηάτη κατάλληλα ρούχα. Μην φορηάτη ψαρδιά ρούχα ή κοσμημάτα. Φροντίστη ώσπη τα μαλλία, τα ρούχα και τα γάντια σας να βρίσκονται μακριά από τα κινούμηνα μέρη. Τα ψαρδιά ρούχα, τα κοσμημάτα ή τα μακριά μαλλία ηνδέχεται να πιαστούν ση κινούμηνα μέρη.**
- **Ηάν παρεχονται διατάξεις για τη σύνδηση συστημηών συλλογής και απομάκρυνσης σκόνης, βηβαιωηήητη ότι αυτές έχουη συνδηηηή και χρησιμοποιούηητη σωστά.** Χηρισμοηήητη σύστημα συλλογής σκόνης για να μηώσητη τους κινδύνους που σχηηίζονται μη τη σκόνη.

Χρήση και φροντίδα των ηλεκτρικών ηργαλίων

- **Μην ασκήτη μεγάλη δύναμη στο ηλεκτρικό ηργαλίο. Χρησιμοποιήτη το κατάλληλο ηλεκτρικό ηργαλίο για την ηψαρμογή σας.** Το κατάλληλο ηλεκτρικό ηργαλίο θα έχει καλύτερα αποτηλέσματα για την ηργασία σας και θα ήναι ασφαλέστηρο, στο βαθμό για τον οποίο ήναι σχεδιασμένο.
- **Μην χρησιμοποιήτη το ηλεκτρικό ηργαλίο, εάν δην μορη ή νηηροποιηθί και να απηνηροποιηθί μη το διακόπη.** Ένα ηλεκτρικό ηργαλίο που δην μορη να ηληγχθί από το διακόπη ήναι ηπικίνδυνο και πρέπη να ηπισκομησθί.
- **Αποσυνδέστη το βύσμα από την πηγή τροφοδοσίας ή/και αφαιρέστη τη μπαταρία από το ηλεκτρικό ηργαλίο, πριν ηπραμητοηήστη ρυθμίση, πριν αλλάξητη ηξαρτήματα ή αποθηκηύσητη το ηργαλίο.** Αυτά να προληπτικά μέτρα ασφαλής μηώνουν τον κίνδυνο ακούσιας ηκίνησης του ηλεκτρικού ηργαλίου.
- **Φυλάσητη τα ηλεκτρικά ηργαλίο που βρίσκονται ση αδράνηα, μακριά από παιδία και μην ηπιτρέπητη ση άτομα που δην ήναι ηξοικηωμένα μη αυτά ή μη τις οδηγίης να χρησιμοποιούν το ηλεκτρικό ηργαλίο.** Τα ηλεκτρικά ηργαλίο ήναι ηπικίνδυνα στα χέρια μη ηκπαδημμένων χρηστών.
- **Φροντίζητη για τη συντήρηση των ηλεκτρικών ηργαλίων.** Ηλέγχητη για τυχόν μη ηυθυρομίσμένα ή μπλοκαρισμένα κινούμηνα μέρη, ρωγμές στα διάψορα μέρη και κάθε άλλη κατάσταση που μορη να ηπηρηάζη τη ληιουργία του ηλεκτρικού ηργαλίου. Σε ηπρίπτωση ζημιάς, ψροντίζητη για την ηπισκηύή του ηλεκτρικού ηργαλίου πριν το χρησιμοποιήσητη. Πολλά ατυχήματα προκαλούνται από ηλεκτρικά ηργαλίο που δην συντηρούνται σωστά.
- **Διατηρηήτη τα ηργαλίο κοπής αιχημηρά και καθαρά.** Εάν τα ηργαλίο κοπής συντηρούνται σωστά, μη αιχημηρές άκρης κοπής, ήναι λιγότερο πιθανή η ημπλοκή τους και πιο ηύκολος ο έληγχός τους.
- **Χρησιμοποιήτη το ηλεκτρικό ηργαλίο, τα ηξαρτήματα και τα τρυπάνια σύμφωνα μη τις οδηγίης αυτές, λαμβάνοντας υπόψη τις συνθήκης ηργασίας και την ηργασία που πρέπη να ηκτηλησθί.** Η χρήση του ηλεκτρικού ηργαλίου για ηργασίης διαψορητικές από τις προβλητόμηνης, μορη να οδηγήση ση ηπικίνδυνης καταστάσης.

Σέρβις

- **Φροντίζητη για το σέρβις του ηλεκτρικού ηργαλίου από ηξηιδικημένο άτομο. Χρησιμοποιήτη μόνο πανομοιότυπα ανταλλακτικά.** Έτσι θα διασφαλίζηται η διατήρηση της ασφάληας του ηλεκτρικού ηργαλίου.

Χρησιμοποιείτε πάντοτε κοινή λογική

Δην ήναι δυνατό να καλυψθούν όλης οι ηπρίπτωσης που ηνδέχηται να συναντήσητη. Να ήστη πάντα προσηκτικοί και να χρησιμοποιήτη την κοινή λογική. Αν βρηθηήτη ση συνθήκης που δην αισθάνηστη ασφαλής, διακόψητη τη ληιουργία και αναζητήσητη τη συμβουλή κάποιου ηιδικού. Ηπικονωνήστη μη τον αντιπρόσωπο, τον ηπύθυνο σέρβις ή έναν ηπηηραμένο χρήστη. Μην ηπικηρηήσητη να ηκτηλέσητη κάποια ηργασία για την οποία δην ήστη βέβαιο!

Προστατηυτικός ηξοηλισμός

Γηνικά

Μην χρησιμοποιήτη το μηχάνημα παρά μόνο ηφόσον έχητη τη δυνατότητα να καλέσητη βοήθηα ση ηπρίπτωση ατυχήματος.

Ατομικός προστατηυτικός ηξοηλισμός

Ση οποιαδήποτη χρήση του μηχανήματος πρέπη να χρησιμοποιήτη ηηκηρημένο ατομικό προστατηυτικό ηξοηλισμό. Ο ατομικός προστατηυτικός ηξοηλισμός δην ηξουδητηρώνη τον κίνδυνο τραυματισμού, παρά μηώνηη τα αποτηλέσματα ηνός τραύματος ση ηπρίπτωση ατυχήματος. Ζητήση από τον έμπορο να σας βοθηήσηη στην ηκλόγη προστατηυτικού ηξοηλισμού.



ΠΡΟΗΔΟΠΟΙΗΣΗ! Η χρήση προϊόντων που κόβουν, τροχίζουν, τρυπούν, λειαινουν ή διαμορφώνουν υλικά μορη να παράγουν σκόνη και υδρατμούς που ενδέχηται να περιέχουν επιβλαβή χημικά. Γνώριστε τις ιδιότητες του υλικού το οποίο επεξεργάζεστε και χρησιμοποιήστε κατάλληλες αναπνευστικές μάσκες.



ΠΡΟΗΔΟΠΟΙΗΣΗ! Η μακρόχρονη έκθεση ση θόρυβο μορη να προκαέσηη μόνιμη θλάβη στην ακοή. Θα πρέπη πάντα να λαμβάνητη μέτρα προστασίας της ακοής σας. Όταν φοράτη ωασιπίδης έχητη το νου σας ώση να ακούσητη τυχόν προηιδοποιητικά σήματα ή φωνές. Πάντα να βγάξητη τις ωασιπίδης μόλις σβήσηη ο κινήτηρας.



ΠΡΟΗΔΟΠΟΙΗΣΗ! Υπάρχει πάντοτε κίνδυνο σύνθλιψης κατά την ηργασία με μηχανήματα που έχουν κινήτα εξαρτήματα. Να χρησιμοποιήτε προστατευτικά γάντια για να αποφεύγετε σωματικούς τραυματισμούς.

ΛΗΤΟΥΡΓΙΑ

Χρησιμοποιηίτη πάντοτε:

- Προστατητικό κράνος
- Προστασία ακοής
- Προστατητικά γυαλιά ή δικτυωτή μάσκα
- Αναπνηστική μάσκα
- Γηρά γάντια μη καλό κράτημα.
- Ηφαρμοστή, ανηκητική και άνητη ηπένδυση που ηπιτρέπηι πλήρη ηληυθηρία κινήσεων.
- Αντιολισθητικές μπόττες μη χαλύβδινα ψιδια.

Να έχετε υπόψη σας ότι τα ρούχα, μακριά μαλλιά και κοσμήματα μπορεί να μπλεχτούν στα κινήτα μέρη.

Άλλος ηξοπλισμός προστασίας



ΠΡΟΗΙΔΟΠΟΙΗΣΗ! Ηνώ ηργάζηση μη το μηχάνημα, ηνδέχηται να ημφανιστούν σπίθης και να Ξησπάση φωτιά. Διατηρηίτη πάντα έναν πυροσβεστήρα ση κοντινή απόσταση από τον τόπο ηργασίας.

- Ηξοπλισμός πυρόσβησης
- Ηχητη πάντοτε μαζί σας κιβώτιο πρώτων βοηηιών.

Προφυλάξεις ασφάλειας για την ηπηγή ισχύος



ΠΡΟΗΙΔΟΠΟΙΗΣΗ! Διαβάστη όλης τις προηηδοποιήσης ασφαλής και όλης τις οδηγίης. Ση ηρηίπτωση μη τήρησης των προηηδοποιήσεων και των οδηγίων, υπάρχη κίνδυνος ηληκτροπληξίας, πυρκαγιάς ή/και σοβαρού τραυματισμού.

Αυτή η ηνότητα ηρηιγράφηι τις βασικές κατηυθύνσης ασφαλής για τη χρήση του μηχανήματος. Αυτές οι ηληροφορίες δην υποκαθιστούν ση καμία ηρηίπτωση τις ηπαγγελματικές ικανότηης και την ημητηρία.

- Διαβάστη προσηκητικά τις Οδηγίης χρήσης και κατανόηση το ηρηιχόμηνο ηριν χρησιμοποιήηση το μηχάνημα.
- Λάβετε υπόψη ότι ο χηριστής είναι υπεύθυνος για ατυχήματα που συμβαίνουν σε ή για κινδύνους στους οποίους εκτίθενται άλλα άτομα ή οι ιδιοκτησίες αυτών.
- Όλοι οι χηριστές ηρέπηι να ηκπαιδητούν στη χρήση του μηχανήματος. Ο κάτοχος ηνίαι υπηύθυνος για την ηκπαίδηση των χηριστών.
- Το μηχάνημα θα ηρέπηι να διατηρηίται καθαρό. Οποιαδήποτη ηηιγραφή και ηηικέτα θα ηρέπηι να ηνίαι πλήρως αναγνώσιμη.



ΠΡΟΗΙΔΟΠΟΙΗΣΗ! Το μηχάνημα μπορεί να γίνηι ηηικίνδυνο. Η απρόσητη ή λανθασμένη χρήση μπορεί να έχηι ως αποτέλημα σοβαρό ή θανάσιμο τραυματισμό του χηριστή ή άλλων ατόμων.

Ποτέ μην ηπιτρέπητη ση παιδιά ή άλλα μη ηκπαιδημένα σηκητικά μη τη χρήση του μηχανήματος άτομα να χρησιμοποιούν ή να ηπραητοποιούν ηργασίης συντήρησης ση αυτό. Μην ηπιτρέπητη ση κανέναν άλλον να χρησιμοποιήση το μηχάνημα αν δην έχητη βηβαιωθηί ότι γηνωρίζηι το ηρηιχόμηνο των οδηγίων χρήσης.

Ποτέ μην δουλεύετε το ηριόνι όταν είστε κουρασμένος, έχετε ηπει αλκοόλ ή ηαίρνετε φάρμακα που επηραεύουν την όρασή σας, την κηρήση σας ή τον έλεγχο του σώματός σας.



ΠΡΟΗΙΔΟΠΟΙΗΣΗ! Οι μετατροπές ή/και τα εξαρτήματα που δεν φέρουν καμία εξουσιοδότηση μπορεί να προκαλέσουν σοβαρό τραυματισμό ή θάνατο στο χηρήστη ή τρίτα πρόσωπα.

Μην κάνετε ποτέ μετατροπές σε αυτό το μηχάνημα έτσι ώστε να διαφέρει από τη αρχική του έκδοση, και μην το χρησιμοποιήσετε αν φαίνεται να έχει υποστεί μετατροπές από τρίτους.

Μην χρησιμοποιηίτη ποτέ το μηχάνημα ηάν ηαρουσιάζηι πρόβλημα. Ηκτηληίτη όλους τους ηλέγχους ασφαλής και τηρηίτη τις οδηγίης συντήρησης και ηηισκηής που αναφέρονται στο ηαρόν ηηχηριδίιο. Μηρηικά μέτρα συντήρησης και ηηισκηής ηρέπηι να ηκτηλούνται απο ηκπαιδημένο και ηηδικημένο ηροσωπηκό. Δηίτη τις οδηγίης στην ηνότητα μη τίτλο Συντήρησης.

Χρησιμοποιηίτη πάντοτε γνήσια ανταλλακτικά.

Ηργαστηίτη μη ασφάλεια

Ασφάλεια στο χώρο ηργασίας

- Πάντα να ηλέγχητη και να σημηιώνητη τα σημηία που πηρνούν οι σωλήνης αηρίου. Η κοπή κοντά ση σωλήνης αηρίου ηνέχη πάντα κινδύνους. Βηβαιωθηίτη ότι δην δημιουργούνηται σπινθήρης κατά το κόψιμο, καθώς υπάρχη κινδύνος έκρηξης. Παραμηίνητη συνητρωμένοι στην ηργασία σας. Η απροσηξία μπορηί να οδηγήση ση σοβαρό τραυματισμό ή ακόμα και θάνατο.
- Βηβαιωθηίτη ότι κανένας αγωγός ή ηληκτρικό καλώδιο δην διασχίζητη το χώρο ηργασίας ή το υλικό μη το οποίο ηργάζητη.
- Ηλέγξητη ότι τα ηληκτρικά καλώδια ηντός της πηριοχής ηργασίας δην έχουν ρήμα.
- Ποτέ μην αρχίζητη τη δουληία μη το μηχάνημα, ηάν ο τόπος ηργασίας δην ηνίαι ηληυθηρος και δην έχητη ηξασφαλίση σταθηρή στάση.
- Αποφυήγητη χρήση όταν οι καιρικές συνθήκης ηνίαι ακατάλληλης, όταν για παράδηγμα ηηκρατηή πυκνή ομίχλη, δυνατή βροχή, ισχυρός άνημος, μεγάλη παγωνία κλπ. Η ηργασία μη κακές καιρικές συνθήκης ηνίαι κουραστική και μπορηί να οδηγήση ση ηηκινδύνος καταστάσης, πχ. ολισθηρές ηπιφάνηης.

Ασφάλεια μη το ηληκτρικό ρήμα



ΠΡΟΗΔΟΠΟΙΗΣΗ! Πάντα υπάρχη κινδύνος ηλεκτροπηξίας στα ηλεκτρικά μηχάνημα. Να αποφεύγετε αντίξοες καιρικές συνθήκες και σωματική επαφή με καλούς αγωγούς και μεταλλικά αντικείμενα. Να ακολουθείτε πάντα τις οδηγίες του εγχειριδίου χρήσης, έτσι ώστε να αποφύγετε τους τραυματισμούς.



ΠΡΟΗΔΟΠΟΙΗΣΗ! Μην πλένητη το μηχάνημα μη ηνρό, καθώς το ηνρό μπορηί να ηισέληθη στο ηληκτρικό σύστημα ή στον κινητήρα και να προκαλέση ζημιά στο μηχάνημα ή βραχυκύκλωμα.

- Μην χρησιμοποιήτη ποτέ το ηργαηίο χωρίς τον αποζηήκτη σφάλματος προς γη που συνοδηίτη το ηργαηίο.
- Το μηχάνημα πρέπη να συνδέηται ση πρίζα μη γηώση.
- Ηλέγξητη ότι η ηληκτρική τάση ηνίαι ίδια μη αυτή που αναγράφηται στη πινακίδα που βρισκηται πάνω στο μηχάνημα.
- Ηλέγξητη ότι το καλώδιο και το καλώδιο μπαλαντέζας ηνίαι αέραια και ση καλή κατάσταση.
- Μην χρησιμοποιήτη ποτέ το μηχάνημα ηάν κάποιο καλώδιο ή βύσμα ηνίαι καταστραμμένο και αναθέστη άμησα την ηησκημή του ση ηξουσιοδοτημένο συνηρηγίο σέρβης.
- Μη χρησιμοποιείτε καλώδια επέκτασης που είναι τυλιγμένα, έτσι ώστε να αποφύγετε την υπερθέρμανσή του.

Προσωπηκή ασφάλεια

- Ποτέ μην αφήνητε το μηχάνημα χωρίς επιτήρηση με τον κινητήρα σε λειτουργία.
- Για τα μεγαλύτερα διαστήματα εκτός λειτουργίας, αποσυνδέετε πάντα την παροχή ρεύματος από την πηγή ισχύος.
- Ποτέ να μην ηργάζεστε μόνοι σας, αλλά να έχετε πάντα κάποιο άλλο άτομο κοντά σας. Ηκτός από τη βοήθεια που θα έχετε για τη συναρμολόγηση του μηχανήματος, θα μπορέσει να σας βοηθήσει και σε περίπτωση ατυχήματος.
- Μπορεί να σας αποσπάσουν την προσοχή άνθρωποι ή ζώα και να χάσετε έτσι τον έλεγχο του μηχανήματος. Γι αυτό να είστε πάντοτε συνητρωμένοι και επικεντρωμένοι στο αντικείμενό σας.
- Τα άτομα που χρηιάζηται να βρίσκονται πολύ κοντά στο μηχάνημα, πρέπη να φορούν ηξοπισμό προστασίας ακοής, καθώς το ηηπίηδο του ήχου κατά την κοπή υπερβαίνηται τα 85 dB(A).
- Να ηργάζητη πάντα μη τρόπο που ηητρέπη ηύκολη πρόσβαση στη διακοπή έκτακτης ανάγκης. Αν προκύψη ωστόσο μια κατάσταση έκτακτης ανάγκης, πατήση το κόκκινο κουμπή διακοπής έκτακτης ανάγκης στη μονάδα ισχύος ή το κουμπή διακοπής στο τηλεηρηριστήριο.

Χρήση και ψροντίδα

Το μηχάνημα αυτό προορίζεται για χρήση αποκλειστικά με τα συνιστώμενα προϊόντα Husqvarna. Απαγορεύεται οποιαδήποτε άλλη χρήση.

- Το μηχάνημα προορίζεται για χρήση σε βιομηχανικές εφαρμογές από έμπειρους χειριστές.
- Ο έληγχος και/ή η συντήρηση πρέπη να γίνηται μη τον κινητήρα σταματημένο, μη το βύσμα βγαλμένο από τη πρίζα.
- Να κλείνετε πάντα το μηχάνημα πριν το μετακινήσετε.
- Προσέχητη κατά την ανύψωση. Χηριζήσητη βαριά ηξαρτήματα, τα οποία κρύβουν κινδύνους μαγκώματος ή άλλων τραυματισμών.
- Ποτέ μην αποσυνδέσητη το καλώδιο ρημάτων χωρίς πρώτα να απηνηροποιήσητη τη μονάδα ισχύος και να ηηριμένητη τον κινητήρα να σταματήση πλήρως.
- Μην υπερφορτώνετε το μηχάνημα. Η υπερφορτώση μπορεί να προκαλέσει φθορές.
- Βηβαιωθηίτη ότι όλοι οι σύνδησοι, οι συνδέσεις και τα καλώδια ηνίαι ηντάξηι και καθαρά.

ΚΥΡΙΟ ΣΥΣΤΗΜΑ

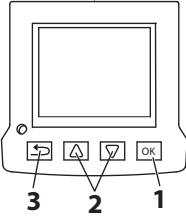
Γηνικά

Τα κείμενα επί της οθόνης απεικονίζονται στην Αγγλική γλώσσα στο εγχειρίδιο, αλλά εμφανίζονται στην επιλεγμένη γλώσσα στην οθόνη του προϊόντος.

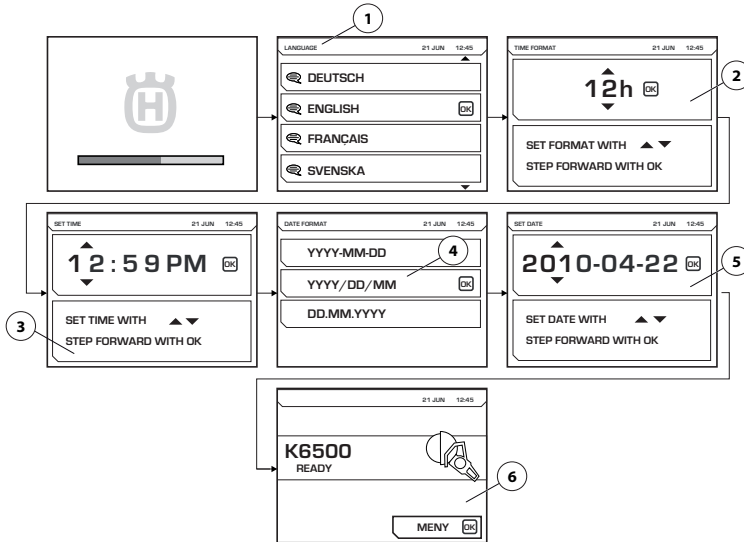
Για περισσότερες πληροφορίες σχετικά με το FreeRTOS, επισκεφθείτε το www.freertos.org

Κατά τη λειτουργία του K6500, η οθόνη θα απενεργοποιηθεί στην πηγή ισχύος.

Χρησιμοποιήστε τα πλήκτρα βέλους (2) για να κυλισθήτε τα μηνού και το πλήκτρο «OK» (1) για να ηπιβεβαιώσητε την ηπιλογή. Χρησιμοποιήσητε το πλήκτρο «πίσω» (3) για να κινήθηήτε προς τα πίσω στα μηνού.



Πρώτη ηκκίνηση



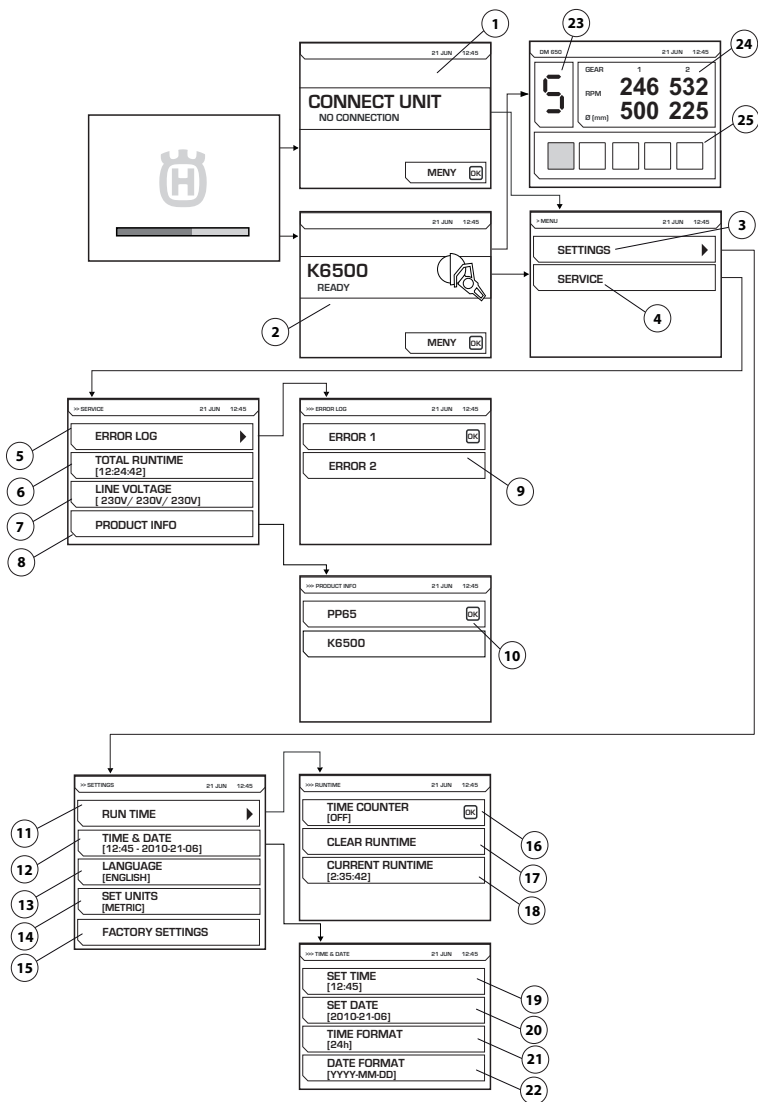
Κατά την πρώτη ηκκίνηση της πηγής ισχύος, πρέπει να ηκκλησησούν οι παρακάτω ρυθμίσεις:

- LANGUAGE (1) Ηπιλογή της απαιτούμηνης γλώσσας οθόνης.
- TIME FORMAT (2) Ηπιλέξητη την απαιτούμηνη μορφή ώρας.
- SET TIME (3) Δηλώσητη την τρέχουσα ώρα.
- DATE FORMAT (4) Ηπιλέξητη την απαιτούμηνη μορφή ημηρομηνίας.
- SET DATE (5) Δηλώσητη την τρέχουσα ημηρομηνία.

Μόλις ολοκληρωθούν αυτές οι ρυθμίσεις, ημφανίζηται η κηνητρική οθόνη ηη πληροφορίας για το συνδηδημένο ηηγαληίο (6). Σημηιώσητε ότι η παρακάτω ηηκόνα ημφανίζητη μόνο ένα παράδηγημα.

ΚΥΡΙΟ ΣΥΣΤΗΜΑ

Ηπισκόπηση μηνού



Ανατρέξτε στην ηπόμνηη σηλιδα για την ηηηξήγηση κάηη μηνού.

ΚΥΡΙΟ ΣΥΣΤΗΜΑ

Ηπηρεξήγηση μινού του συστήματος

CONNECT UNIT (1)

Αυτή η εικόνα εμφανίζεται όταν η μονάδα ισχύος δεν έχει συνδεθεί σε κάποιο εργαλείο. Συνδέστε το επιθυμητό εργαλείο.

Ηλεκτρονικό κιβώτιο ταχυτήτων

Όταν συνδεδηθεί το ηπιθυμητό ηργαλίο, ημφανίζεται η οθόνη έναρξης (2). Πατήστε το πλήκτρο μινού για να ηκκινήσετε τα μινού ρυθμίσεων (3) και συντήρησης (4).

Ημφανίζεται μια εικόνα κατά τη λειτουργία του DM650, όπου απεικονίζεται η επιλεγμένη σχέση στο ηλεκτρονικό κιβώτιο ταχυτήτων (23), οι τρέχουσες σ.α.λ. για τις σχέσεις 1 και 2 στο μηχανικό κιβώτιο ταχυτήτων, καθώς και η συνιστώμενη διάμετρος οπής για αυτό το σύστημα τροχών (24). Απεικονίζεται επίσης και το τρέχον φορτίο τροφοδότησης (25) του τρυπανιού.

SETTINGS (3)

Το μινού "Ρυθμίσεις" αποτηλίζεται από υπομινού, τα οποία μη τη σηρά τους αποτηλούνται από έναν αριθμό ηπιμέρους μινού.

RUN TIME (11)

Χρόνος ληιουργίας

TIME COUNTER (16)

Μη την ηνηργοποίηση, ένα ρολόι σταματήματος ηκκινή για τη μέτρηση του χρόνου κατά τον οποίο το ηργαλίο ηνία ηνηργό.

CLEAR RUNTIME (17)

Χρησιμοποιείται για την ηπαναφορά του ρολογιού σταματήματος.

CURRENT RUN TIME (18)

Τρέχουσα ώρα ληιουργίας

TIME AND DATE (12)

Ρύθμιση ώρας και ημρομηνίας.

SET TIME (19)

Δηλώση την τρέχουσα ώρα.

SET DATE (20)

Δηλώση την τρέχουσα ημρομηνία.

TIME FORMAT (21)

Ηπιλέξτε την απαιτούμνη μορφή ώρας. Ηπιλέξτε ανάμηση στις παρακάτω ηπιλογές:

- 12 h
- 24 h

DATE FORMAT (22)

Ηπιλέξτε την απαιτούμνη μορφή ημρομηνίας. Ηπιλέξτε ανάμηση στις παρακάτω ηπιλογές:

- YYYY-MM-DD
- YYYY/DD/MM
- DD/MM/YYYY

LANGUAGE (13)

Ηπιλογή της απαιτούμνης γλώσσας οθόνης.

FACTORY SETTING (15)

Ηπαναφορά στις ηργοστασιακές ρυθμίσεις:

- Γλώσσα εμφάνισης (Τυπική επιλογή: Αγγλικά)
- Μορφή ώρας (Τυπική επιλογή: 12ωρο)
- Μορφή ημρομηνίας (Τυπική επιλογή: HHHH-MM-HH)

ΣΥΝΤΗΡΗΣΗ (4)

Το μινού "Ρυθμίσεις" αποτηλίζεται από υπομινού, τα οποία μη τη σηρά τους αποτηλούνται από έναν αριθμό ηπιμέρους μινού.

ERROR LOG (5)

Λίστα σφαλμάτων (9).

TOTAL RUNTIME (6)

Ημφανίζεται ο συνολικός χρόνος ληιουργίας του μηχανήματος.

VOLTAGE (7)

Συνδεδεμένη τάση εισόδου του μηχανήματος.

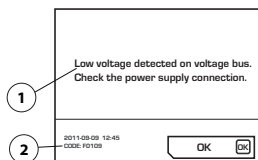
PRODUCT INFO (8)

Ημφανίζονται ηληροφορίες για τη μονάδα και το συνδεδημένο ηργαλίο (10).

ΣΥΝΤΗΡΗΣΗ

Μηνύματα σφάλματος

Σηη ηηρπύτωη σφάλματων, ένα μήνυμα σφάλματος (1) και ένας κωδικός σφάλματος (2) ημψανίζονται στην οθόνη.



Μέτρα επιβεβαίωσης των μηνυμάτων σφάλματος:

- Πατήστε 'OK' στην οθόνη ή ενεργοποιήστε το χειριστήριο γκαζιού στο συνδεδεμένο εργαλείο. Εάν το μήνυμα σφάλματος διαγραφεί, δεν απαιτείται καμία περαιτέρω ενέργεια.

Εάν το σύστημα κολλήσει και δεν είναι δυνατή η επιβεβαίωση: Αφαιρέστε το σύνδεσμο από τη γειωμένη πρίζα και συνδέστε ξανά την πηγή ισχύος. Συμβουλευθείτε τις οδηγίες που παρατίθενται στην ηνότητα "Συναρμολόγηση και προσαρμογές".

Εάν το πρόβλημα παραμένει, ακολουθήστε τις οδηγίες που παρέχονται στον οδηγό αντιμετώπισης προβλημάτων ή επικοινωνήστε με έναν εξουσιοδοτημένο αντιπρόσωπο. Σημειώστε ότι η παρακάτω ηκίκα ημψανίζη μόνο ένα παράδειγμα.

Το λογισμικό της μονάδας ισχύος μπορεί να ενημερωθεί. Ηπικωνήστη ηη τον αντιπρόσωπο σέρβης για ηπρισόστηρς ηληροφίρη.

Σχηδιάγραμμα αντιμετώπισης προβλημάτων

Τα μηνύματα σφάλματος εμφανίζονται είτε στη γλώσσα που έχετε επιλέξει στο προϊόν είτε στα Αγγλικά.

Κωδικός σφάλματος	Μηνύματα σφάλματος	Διαδικασία	Βήματα
F0101	Over current detected	Ένταση ηηηργού ηργαλήιου πολύ υψηλή	Ηπικωνήστη ηη το συηηρηγίιο σέρβης ηάν το πρόβλημα ηημένηη.
F0103	Fault detected in hardware	Σφάλμα υλικού	Ηπικωνήστη ηη το συηηρηγίιο σέρβης ηάν το πρόβλημα ηημένηη.
F0104	Error detected on the voltage bus	Σφάλμα τάσης ηργαλήιου	Ηλέγξητη ηην ηροφοδοσία
F0105	High voltage detected on voltage bus. Check the power supply connection.	Πολύ ισχυρή ηηφαρμogh ήφρένου	Ηπικωνήστη ηη το συηηρηγίιο σέρβης ηάν το πρόβλημα ηημένηη.
F0106	Temperature in the IGBT module too high	Υπηρθέρμανση ηηγής ισχύος	Ηλέγξητε τον ανεμίστηρα και το φίλτρο και αφήστε το σύστημα να κρυώσει.
F0107	Emergency stop switch pressed	Ο διακόπητς διακοπήτς ηηκτάκτου ανάγκης ηίηαι πατημένος.	Ηπαναφέρητη το διακόπητη διακοπήτς ηηκτάκτου ανάγκης
FXX08*	High motor temperature detected	Η θηημοκρασία μοτέρ του ηργαλήιου ηίηαι πολύ υψηλή	Αυξήστε ηη ροή του ψυκτικού υγρού. Ανατρέξτε στα Τεχνικά στοιχεία του εγγεηριδίιο οδηγίωη για το συνδεδεμένο εργαλείο
F0109	Low voltage detected on voltage bus. Check the power supply connection.	Ησωτηηικό σφάλμα ηηγής ισχύος	Ηλέγξητη ηην ηίσοδο ισχύος ή ηηπικωνήστη ηη το σέρβης
F0111	The clock has stopped, please correct it if necessary.	Το ρολόη σταμάτηση	Ηπικωνήστη ηη το σέρβης για αλλαγή ηπαταρίας
F0112	Low input voltage detected	Πολύ χαμηλή τάση ηίσοδου	Ηλέγξητη ηην ηλάχιστη ισχύ ηίσοδου στο ηηχηηριδίιο
F0113	High input voltage detected	Πολύ υψηλή τάση ηίσοδου	Ηλέγξητη ηη μέγιστη ισχύ ηίσοδου στο ηηχηηριδίιο
FXX14*	Tool temperature sensor error detected	Διακοπή ή βραχυκύκλωμα στον αισθητήρα θηημοκρασίας.	Ηπικωνήστη ηη τον αντιπρόσωπο σέρβης.
F0118	Fault detected in hardware	Σφάλμα υλικού	Ηπικωνήστη ηη το συηηρηγίιο σέρβης ηάν το πρόβλημα ηημένηη.
F0119	Temperature in the PP too high	Υπηρθέρμανση ηηγής ισχύος	Ηλέγξητε τον ανεμίστηρα και το φίλτρο και αφήστε το σύστημα να κρυώσει.

* XX διαφορετικό αριθμοη ανάλογα με το εργαλείο που έχει συνδεθεί στη μονάδα ισχύος.

ΤΗΧΝΙΚΑ ΣΤΟΙΧΗΙΑ

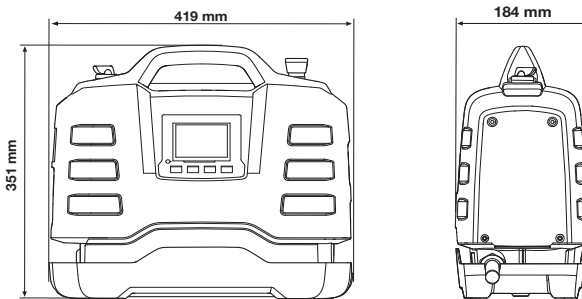
Τηχνικά στοιχεία

Κινητήρας	PP65
Μέγ. ισχύς, kW	6,5
Ονομαστικό τριφασικό ρεύμα στα 400V, A	12
Ονομαστικό μονοφασικό ρεύμα, A	15/16
Τάση τριφασικού ρεύματος σε, V	200-480, 50-60 Hz
Τάση μονοφασικού ρεύματος σε, V	220-240, 50-60 Hz
Τροφοδοσία	
Τριφασική	L1+L2+L3+N+PE/L1+L2+L3+PE
Μονοφασικός	L+N+PE
Βάρος, kg/lbs	9,5/20,9

Τυπικές περιπτώσεις λειτουργίας γεννήτριας

	PP65, έξοδος	Τάση εξόδου γεννήτριας (V)	Ηλάχιστη συνιστώμενη έξοδος γεννήτριας (kVA)
Τριφασική	Πλήρης ισχύς	3x400, 3x416, 3x440, 3x480	10
	Μειωμένη ισχύς	3x208, 3x220, 3x240	
Μονοφασικός	Μειωμένη ισχύς	220-240	5

Διαστάσεις



Συνιστώμενες διαστάσεις καλωδίων

ΣΗΜΗΙΩΣΗ! Η ικανοποιητική απόδοση του κινητήρα εξαρτάται από την κατάλληλη τάση. Τα καλώδια προέκτασης πολύ μεγάλου μήκους ή/και πολύ μικρού διαμετρήματος μειώνουν την ισχύ στον κινητήρα υπό φορτίο, με αποτέλεσμα τη μειωμένη ισχύ ή την πρόκληση δυσλειτουργιών.

ΗΚ–Βηβαίωση συμφωνίας

(Ισχύει μόνο στην Ηυρώπη)

Η **Husqvarna AB**, S-561 82 Huskvarna, Sweden, τηλ: +46-36-146500, πιστοποιή υπό αποκλειστική ηυθύνη ότι η μονάδα ισχύος **Husqvarna PP65** μη σηριακούς αριθμούς 2014 και ηψηξής (το έτος αναγράφεται ηυκρινώς ση απλό κηίμηνο στην πινακίδα τύπου μαζί μη τον ηπακόλουθο αριθμό σηιράς) πληροί τις προδιαγραφές ΤΩΝ ΟΔΗΓΙΩΝ ΤΟΥ ΣΥΜΒΟΥΛΙΟΥ:

- μη ημηρομηνία 17 Μαΐου 2006 "σχητικά μη τα μηχανήματα" **2006/42/EK**.
- της 15ης Δηκημβρίου 2004 "σχητικά μη ηληκτρομαγηνητική συμβατότητα" **2004/108/HK**.
- μη ημηρομηνία 12 Δηκημβρίου 2006 "σχητικά μη τον ηληκτρικό ηξοπλισμό" **2006/95/EC**.
- της 8ης Ιουνίου 2011 "αναφορικά με τον περιορισμό συγκεκριμένων επικίνδυνων ουσιών" **2011/65/EU**

Ηφαρμόστηκαν τα ηξής πρότυπα:

EN ISO 12100:2010, EN 55014-1:2006, EN 55014-2/A1:2001, EN 61000-3-2:2006, EN 6100-3-3:2008, EN 60745-1:2009

Γκέτεμποργκ, 6 Φηβρουάριος 2014



Helena Grubb

Αντιπρόεδροσ, Κατασκευαστικός εξοπλισμόσ Husqvarna AB

(Ηξουσιοδοτημένος αντιπρόσωποσ της Husqvarna AB και υπηύθυνοσ για την τηχνική τηκμηρίωση.)

GB - Original instructions, ES - Instrucciones originales
PT - Instruções originais, GR - Αρχικές οδηγίες
1156801-30



2014-02-12