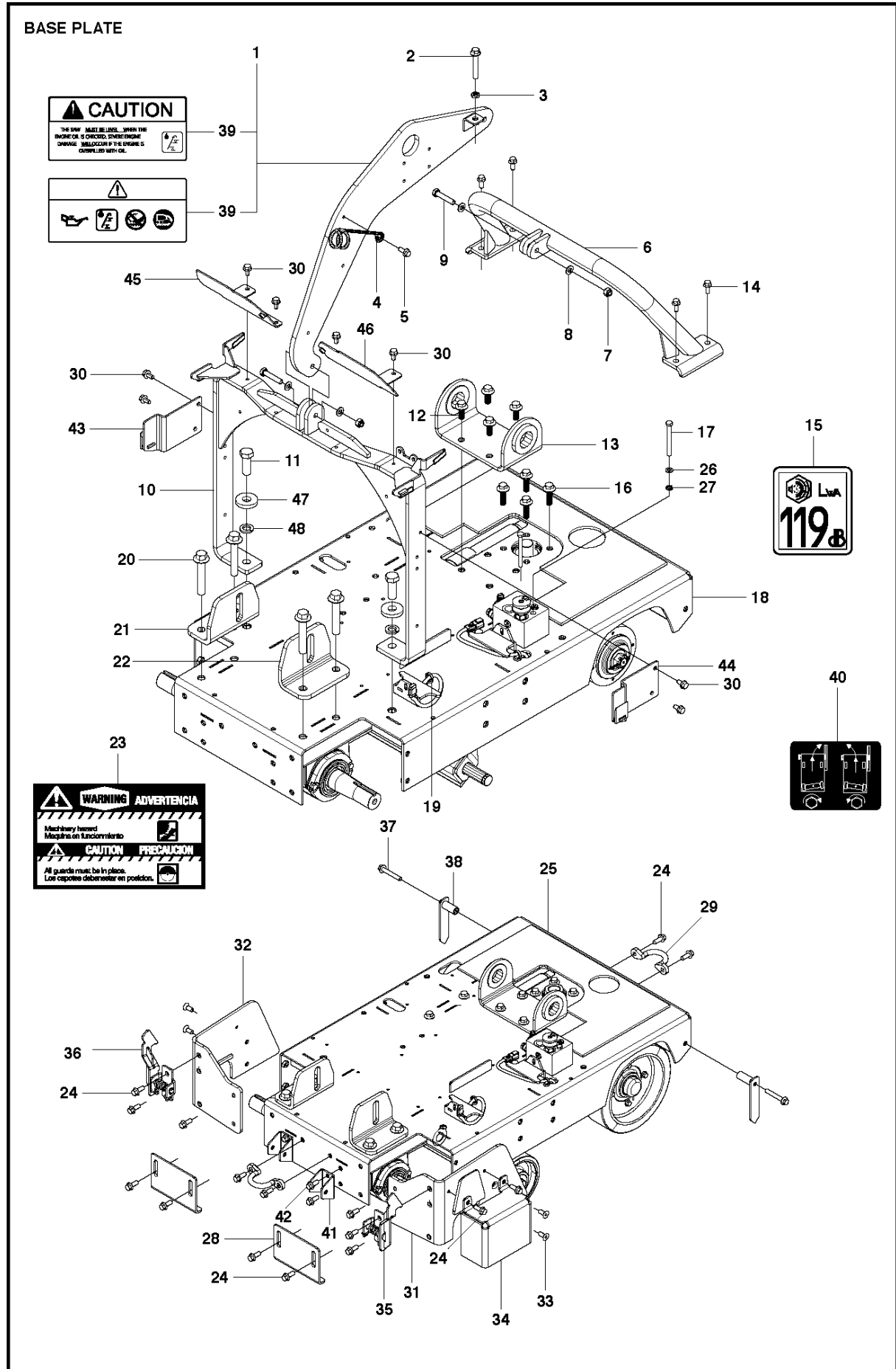




SPARE PARTS LIST

FLOOR SAWS

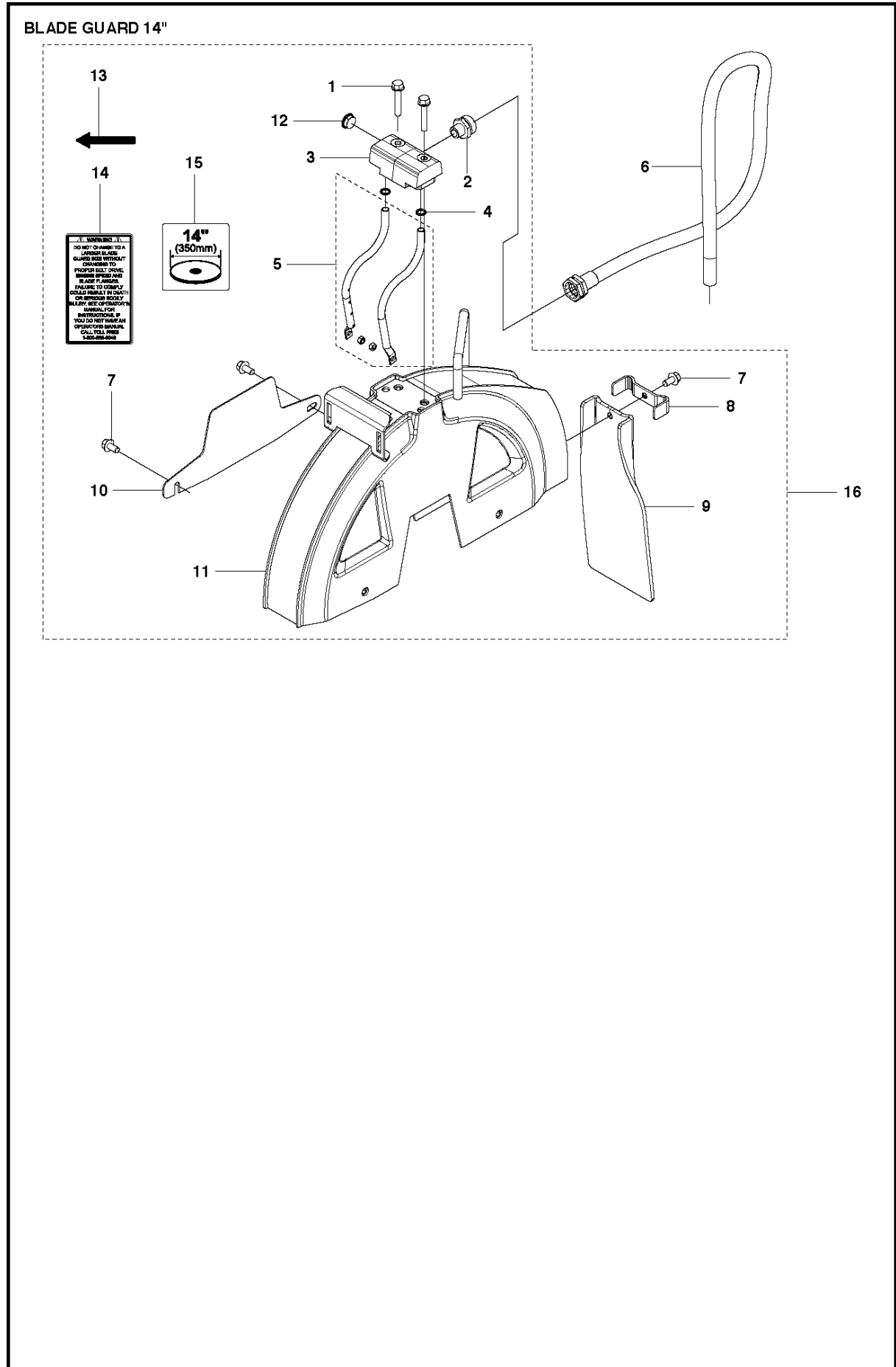
FS5000, 2014-05



BASE PLATE

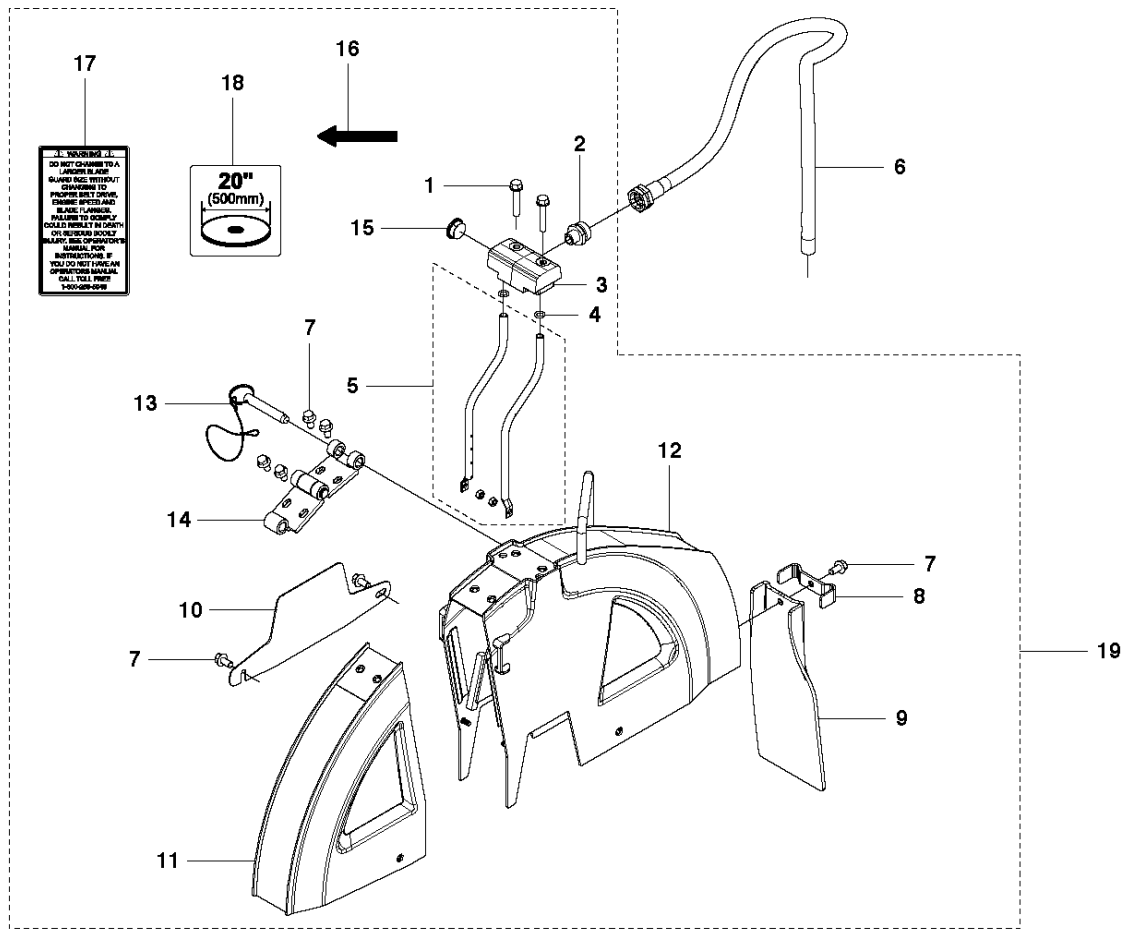
FS5000, 2014-05

Ref	Part No	Description	Remark	QTY KIT
1	586 83 06-01	PLATE		1
2	581 24 33-01	SCREW EHHFM		1
3	731 43 20-01	HEXAGON THIN NUT		1
4	505 18 91-01	BRACKET		1
5	585 97 54-01	SCREW EHHFM		1
6	583 84 42-01	BRACKET		1
7	732 25 20-01	HEXAGON LOCKING NUT		2
8	734 11 72-01	WASHER		4
9	725 25 01-76	SCREW EHHM		2
10	586 66 66-01	BRACKET		1
11	542 18 83-24	HHCS. M16-2.0 X 45. 10.9		2
12	576 65 48-03	SCREW EHHFM		4
13	581 05 37-01	MOUNTING BRACKET		1
14	585 98 04-01	SCREW EHHFM		4
15	542 19 60-29	DECAL		1
16	576 65 48-04	SCREW EHHFM		4
17	725 24 69-51	SCREW EHHM		2
18	579 32 97-01	BASEPLATE		1
19	583 95 95-01	CLAMP		3
20	581 24 94-04	SCREW EHHFM		4
21	579 72 73-01	MOUNT	Right Side	1
22	579 72 72-01	MOUNT	Left Side	1
23	542 17 62-23	DECAL	US Only	3
24	585 97 31-01	SCREW EHHFM		16
25	581 16 73-01	INSULATOR		1
26	734 11 63-01	WASHER		2
27	735 11 64-01	SPRING WASHER		2
28	579 36 20-01	GUARD		2
29	504 58 03-02	LOOP		2
30	585 97 56-01	SCREW EHHFM		8
31	585 43 23-01	BRACKET	Left Side	1
32	585 43 25-01	BRACKET	Right Side	1
33	725 64 93-51	SCREW IHCSFM		4
34	579 36 21-01	BRACKET		1
35	581 10 61-01	LOCK	Left Side	1
36	581 10 60-01	LOCK	Right Side	1
37	581 24 33-01	SCREW EHHFM		2
38	581 11 52-01	POINTER		2
39	521 88 53-02	DECAL	US Only	1
39	586 46 75-01	DECAL	CE Only	1
40	542 19 94-35	DECAL		1
41	579 35 94-01	BRACKET		2
42	585 97 31-01	SCREW EHHFM		4
43	586 14 13-01	BRACKET	Right Side	1
44	586 14 11-01	BRACKET	Left Side	1
45	586 00 41-01	PROTECTION	Right Side	1
46	586 00 42-01	PROTECTION	Left Side	1
47	542 16 03-93	FS900T RING/		2
48	539 99 03-33	WASHER		2



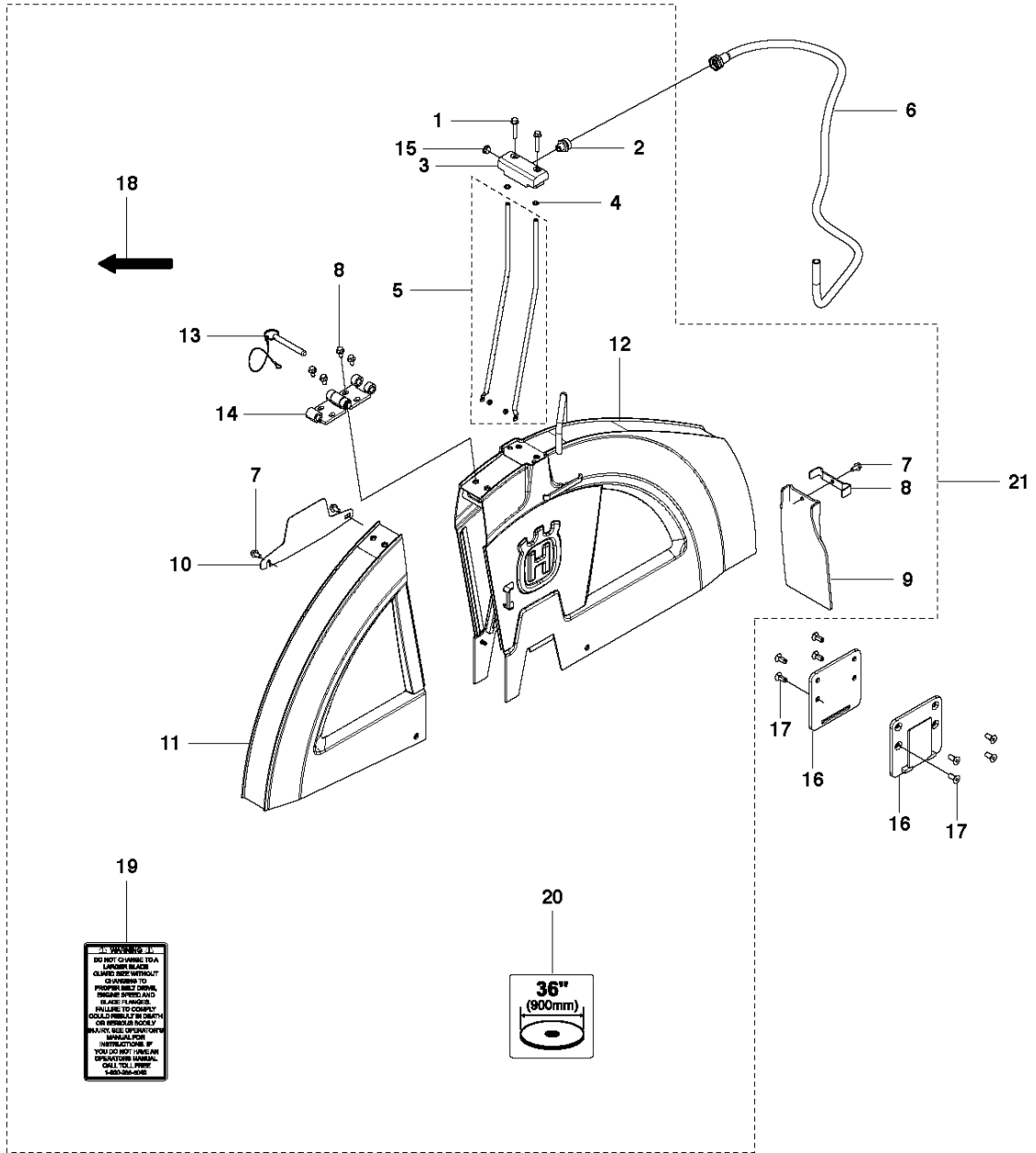
Ref	Part No	Description	Remark	QTY	KIT
1	585 17 39-01	SCREW EHHFM		2	16
2	541 20 82-96	HYD FIT.. 4024-12-6		1	16
3	581 15 72-01	MANIFOLD		1	16
4	740 43 07-00	O-RING		2	16
5	586 01 89-01	PIPE		1	16
6	584 90 45-01	HOSE	1-Speed	1	
6	584 90 45-02	HOSE	3-Speed	1	
7	725 24 49-61	SCREW EHHFT		3	16
8	581 60 30-01	PLATE		1	16
9	581 60 51-01	SPLASH GUARD		1	16
10	581 34 29-01	BLADE GUARD		1	16
11	579 42 35-01	BLADE GUARD		1	16
12	581 16 04-01	PLUG		1	16
13	585 40 72-01	DECAL		1	16
14	585 29 95-01	DECAL	US Only	1	16
15	586 30 74-01	DECAL		1	16
16	586 34 31-01	BLADE GUARD	US Only	1	
16	586 34 31-02	BLADE GUARD	CE Only	1	

BLADE GUARD 20", 26", 30"



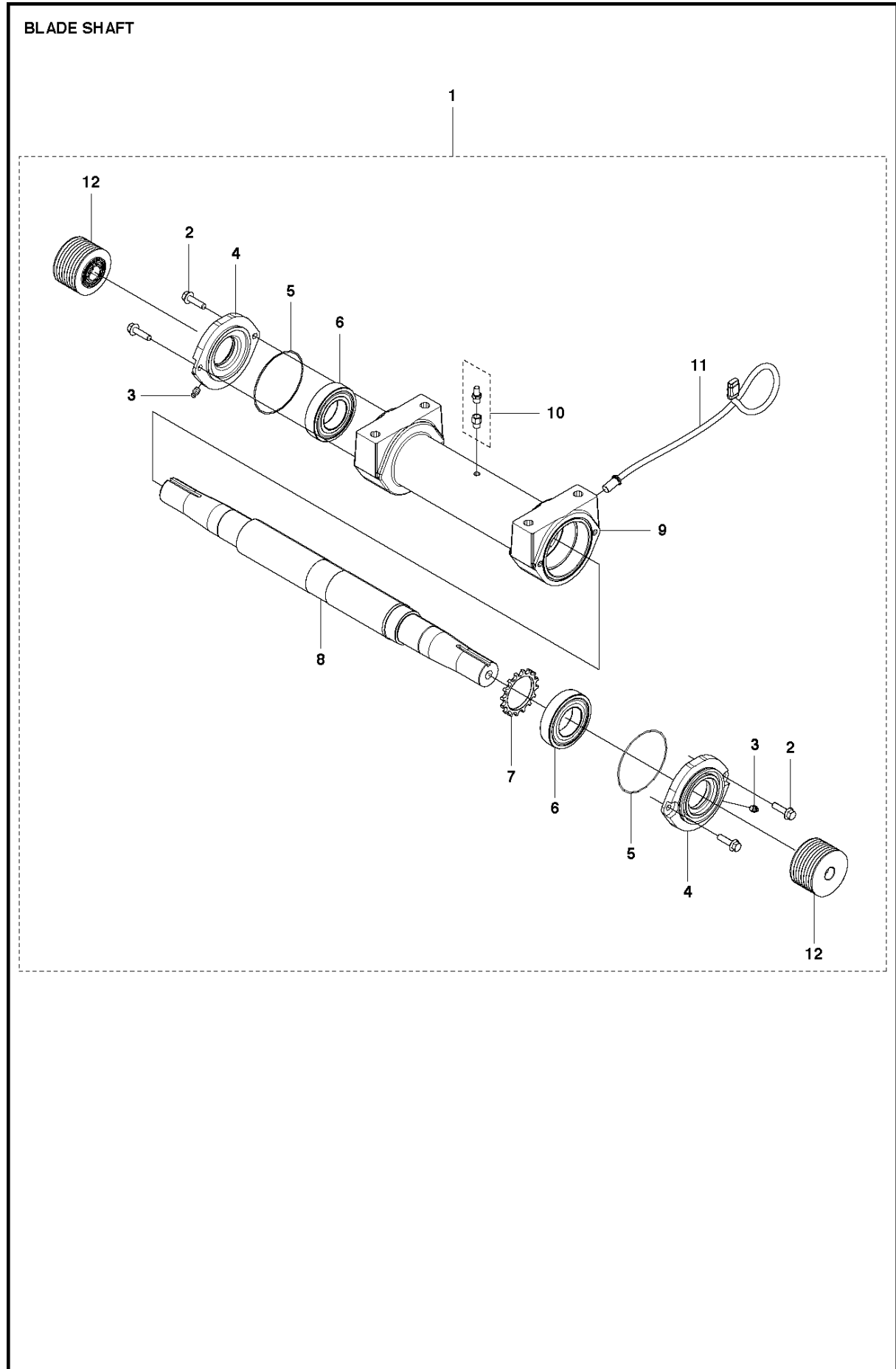
Ref	Part No	Description	Remark	QTY	KIT
1	585 17 39-01	SCREW EHHFM		2	19
2	541 20 82-96	HYD FIT.. 4024-12-6		1	19
3	581 15 72-01	MANIFOLD		1	19
4	740 43 07-00	O-RING		2	19
5	586 01 90-01	PIPE	"20""	1	19
5	586 01 91-01	PIPE	"26""	1	19
5	586 01 92-01	PIPE	"30""	1	19
6	584 90 45-01	HOSE	1-Speed	1	
6	584 90 45-02	HOSE	3-Speed	1	
7	725 24 49-61	SCREW EHHFT		7	19
8	581 60 30-01	PLATE		1	19
9	581 60 51-01	SPLASH GUARD		1	19
10	581 34 29-01	BLADE GUARD		1	19
11	579 46 79-01	BLADE GUARD	"20""	1	19
11	579 50 96-01	BLADE GUARD	"26""	1	19
11	579 52 32-01	BLADE GUARD	"30""	1	19
12	579 46 78-01	BLADE GUARD	"20""	1	19
12	579 50 92-01	BLADE GUARD	"26""	1	19
12	579 51 09-01	BLADE GUARD	"30""	1	19
13	585 07 42-01	PEN		1	19
14	581 30 95-01	HINGE		1	19
15	581 16 04-01	PLUG		1	19
16	585 40 72-01	DECAL		1	19
17	585 29 95-01	DECAL	US Only	1	19
18	586 30 75-01	DECAL	"20""	1	19
18	586 30 76-01	DECAL	"26""	1	19
18	586 30 77-01	DECAL	"30""	1	19
19	586 34 32-01	BLADE GUARD	"20"" US Only"	1	
19	586 34 32-02	BLADE GUARD	"20"" CE Only"	1	
19	586 34 33-01	BLADE GUARD	"26"" US Only"	1	
19	586 34 33-02	BLADE GUARD	"26"" CE Only"	1	
19	586 34 34-01	BLADE GUARD	"30"" US Only"	1	
19	586 34 34-02	BLADE GUARD	"30"" CE Only"	1	

BLADE GUARD 36"



WARNING!
 DO NOT CHANGE TO A
 DIFFERENT BLADE
 UNLESS YOU ARE
 TRAINED TO DO SO.
 FAILURE TO COMPLY
 WITH THESE INSTRUCTIONS
 COULD RESULT IN DEATH
 OR SERIOUS INJURY.
 ALWAYS SEE OPERATOR'S
 MANUAL FOR
 INSTRUCTIONS. IF
 YOU DO NOT UNDERSTAND
 OPERATING INSTRUCTIONS,
 CALL YOUR DEALER.
 1-800-391-2200

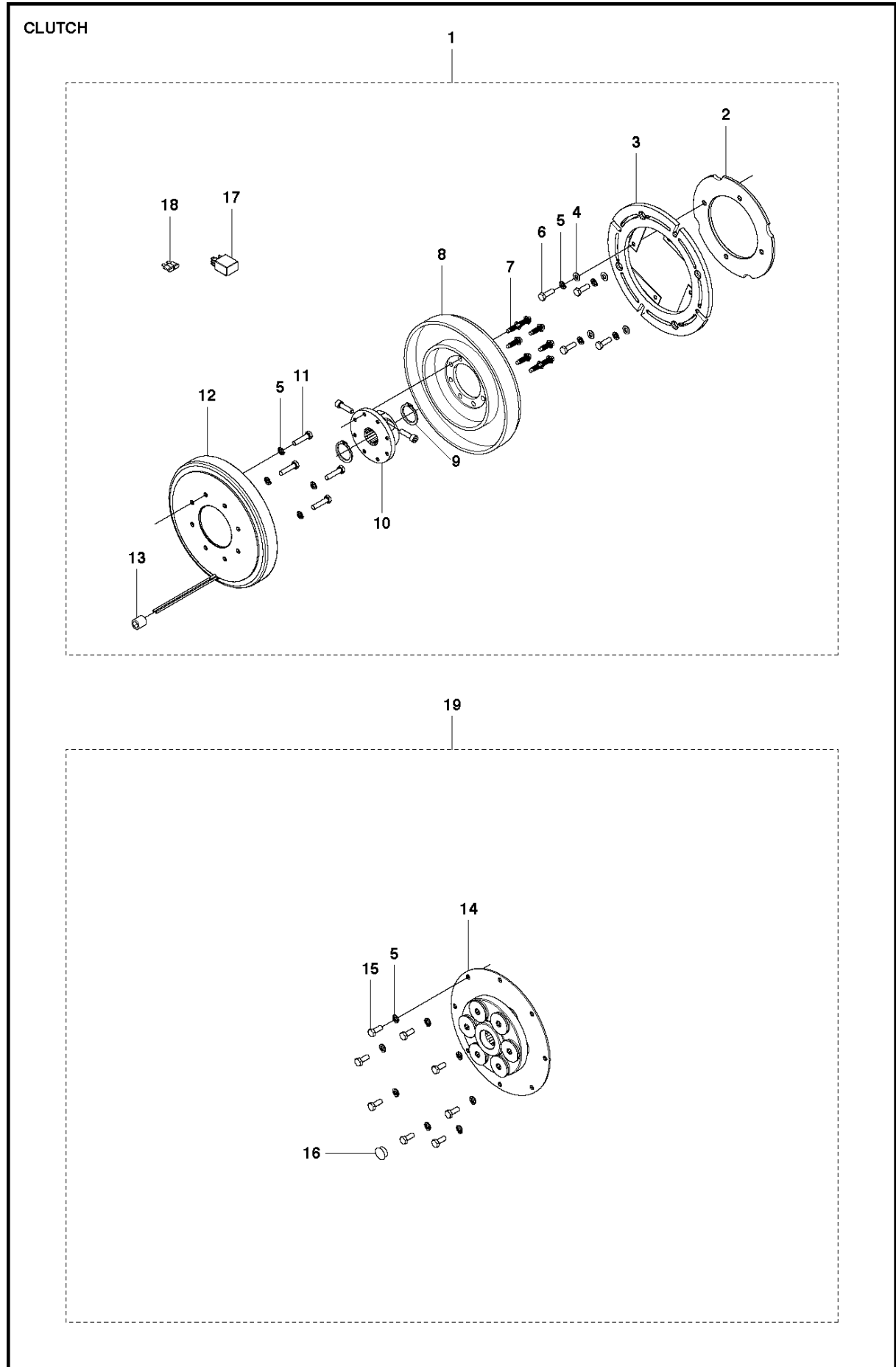
Ref	Part No	Description	Remark	QTY	KIT
1	585 17 39-01	SCREW EHHFM		2	21
2	541 20 82-96	HYD FIT.. 4024-12-6		1	21
3	581 15 72-01	MANIFOLD		1	21
4	740 43 07-00	O-RING		2	21
5	586 01 93-01	PIPE		1	21
6	584 90 45-01	HOSE	1-Speed	1	
6	584 90 45-02	HOSE	3-Speed	1	
7	725 24 49-61	SCREW EHHFT		7	21
8	581 60 30-01	PLATE		1	21
9	581 60 51-01	SPLASH GUARD		1	21
10	581 34 29-01	BLADE GUARD		1	21
11	579 54 02-01	BLADE GUARD		1	21
12	579 53 25-01	BLADE GUARD		1	21
13	585 07 42-01	PEN		1	21
14	581 30 95-01	HINGE		1	21
15	581 16 04-01	PLUG		1	21
16	579 60 83-01	BRACKET		2	
17	725 64 93-51	SCREW IHCSFM		8	
18	585 40 72-01	DECAL		1	21
19	585 29 95-01	DECAL	US Only	1	21
20	586 30 78-01	DECAL		1	21
21	586 34 35-01	BLADE GUARD	US Only	1	
21	586 34 35-02	BLADE GUARD	CE Only	1	



BLADE SHAFT

FS5000, 2014-05

Ref	Part No	Description	Remark	QTY	KIT
1	588 07 86-01	SHAFT ASSY	14"-20" 1-speed	1	
1	588 07 86-02	SHAFT ASSY	26" 1&3-speed	1	
1	588 07 86-03	SHAFT ASSY	30" 1-speed	1	
1	588 07 86-04	SHAFT ASSY	36" 1-speed	1	
1	588 07 86-05	SHAFT ASSY	30" 3-speed	1	
1	588 07 86-06	SHAFT ASSY	36" 3-speed	1	
2	585 97 28-01	SCREW EHHFM		4	1
3	504 20 45-01	GREASE		2	1
4	579 17 72-01	COVER		2	1
5	580 33 80-01	O-RING		2	1
6	580 24 72-01	BALL BEARING		2	1
7	583 95 30-01	GEAR WHEEL		1	1
8	579 05 68-01	BLADE SHAFT		1	1
9	579 05 67-01	HOUSING		1	1
10	586 01 96-01	FILTER		1	1
11	580 98 95-01	SENSOR		1	1
12	581 10 84-01	PULLEY	For 14"-20" 1 speed and 26" 1&3-speed	2	1
12	581 10 84-02	PULLEY	For 30" 3-speed	2	1
12	581 10 84-03	PULLEY	For 30" 1-speed	2	1
12	581 10 84-04	PULLEY	For 26" 1&3-speed	2	1
12	581 10 84-05	PULLEY	For 36" 1-speed	2	1



CLUTCH

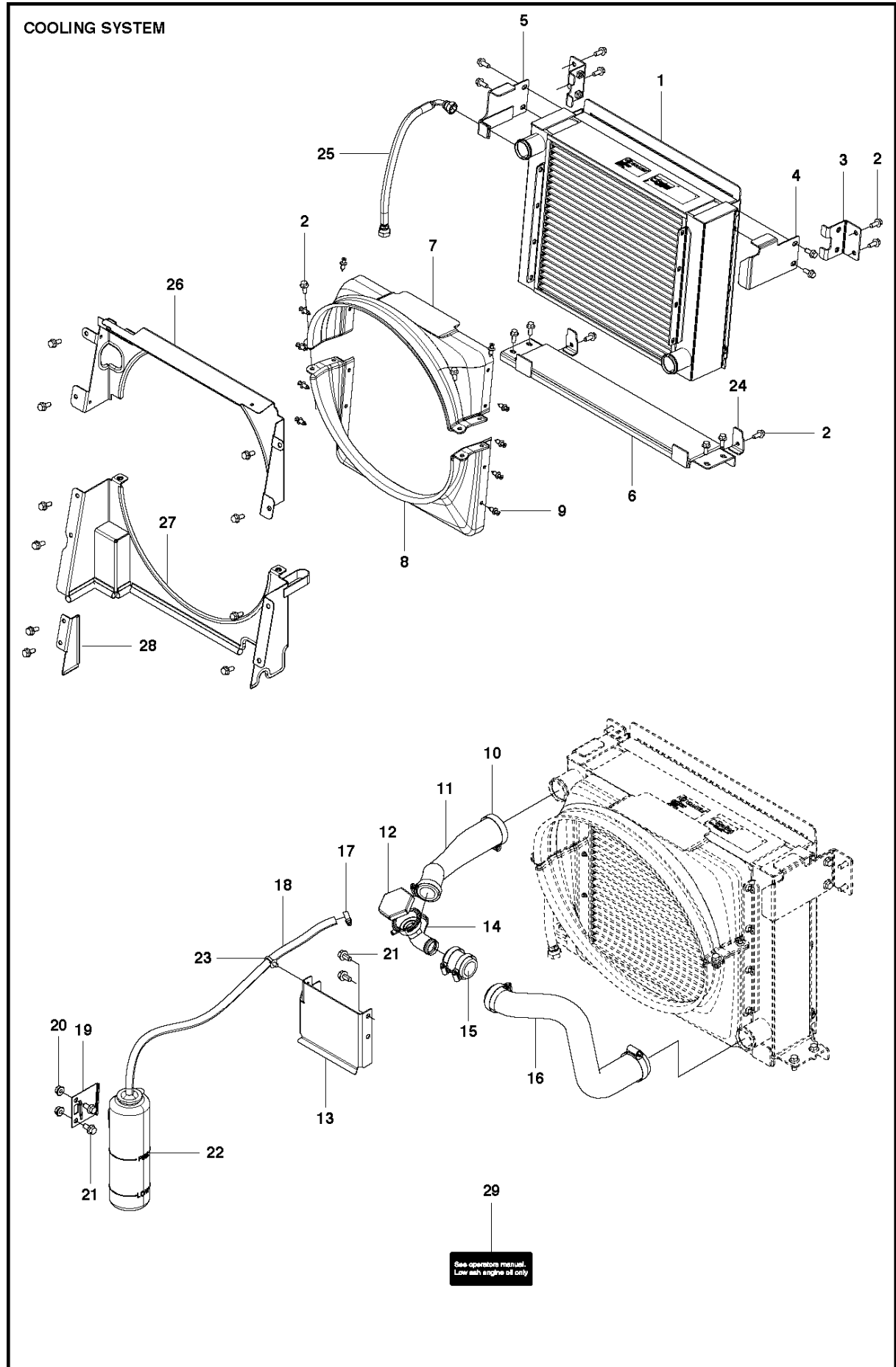
FS5000, 2014-05

Ref	Part No	Description	Remark	QTY KIT	
1	586 70 14-01	CLUTCH		1	
2	580 91 48-01	SPACER		1	1
3	581 02 04-01	CLUTCH		1	1
4	734 11 63-01	WASHER		4	1
5	735 11 64-01	SPRING WASHER		8	19
6	725 24 53-76	SCREW EHHM		4	1
7	542 19 90-53	BODY		8	1
8	542 16 66-85	ROTOR		1	1
9	542 19 89-53	RING		2	1
10	542 19 93-87	KUPPLUNGSNABENANTRIEB		1	1
11	725 24 57-76	SCREW EHHM		4	1
12	542 19 93-96	COIL		1	1
13	542 19 94-80	BUCHSE 1/2"ID X3/4"OD X3/4"		1	1
14	542 19 98-40	COUPLING		1	19
15	725 24 51-76	SCREW EHHM		8	19
16	542 18 33-75	HOLE. PLUG: 3/4"		1	19
17	581 07 45-01	RELAY		1	1
18	531 30 24-19	FUSE		1	1
19	586 70 83-01	COUPLING		1	

CONTROLS

FS5000, 2014-05

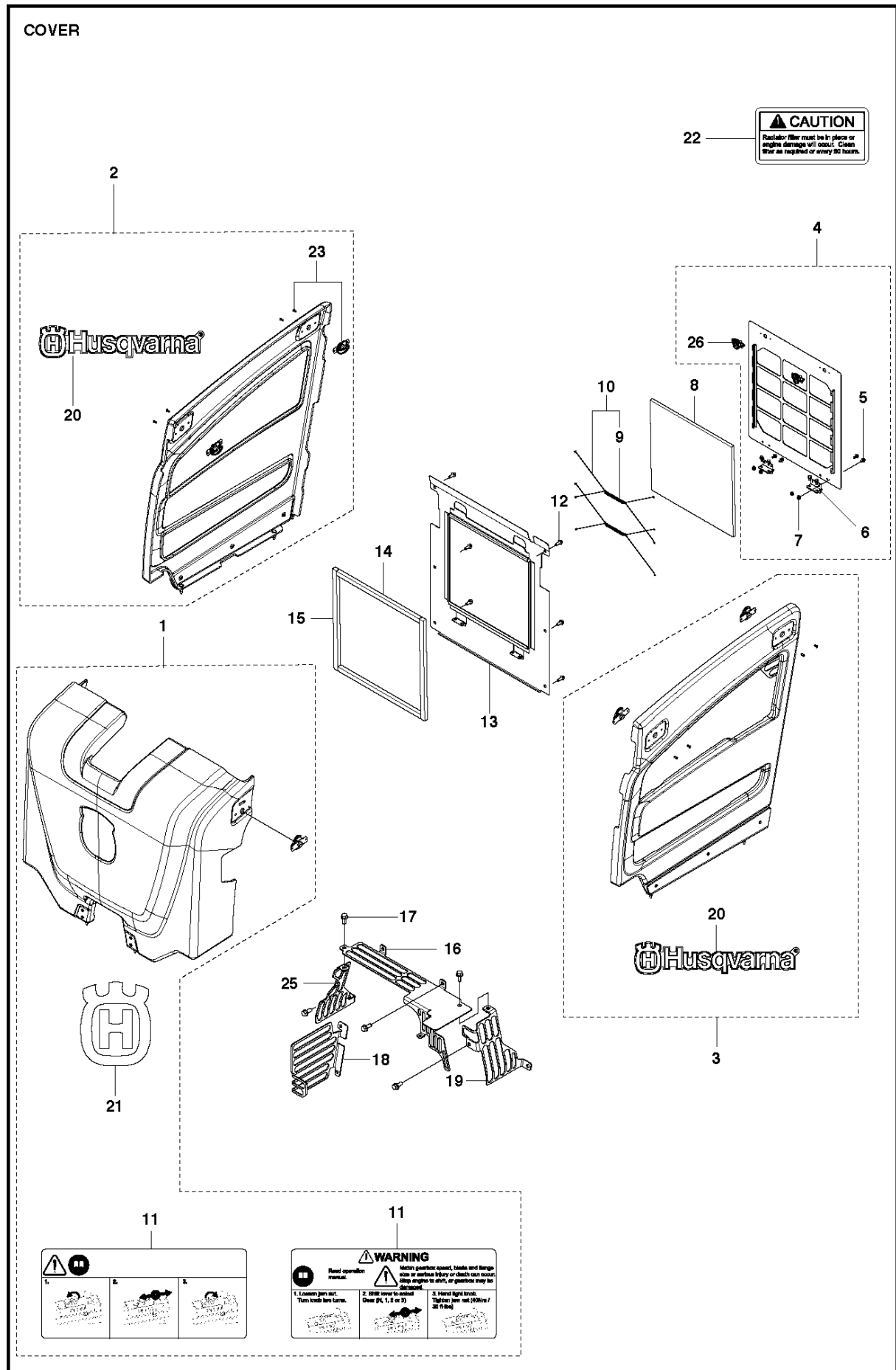
Ref	Part No	Description	Remark	QTY KIT
1	586 83 08-01	CONTROL PANEL		1
2	542 19 90-53	BODY		8
3	586 63 78-01	STOP SWITCH		1
4	587 68 10-01	IGNITION SWITCH		1
5	580 87 65-01	COVER		1
6	579 40 41-01	BRACKET		1
7	586 83 12-01	PANEL	US Only	1
7	586 83 14-01	PANEL	CE only	1
8	725 64 51-01	SCREW IHCSFM		6
9	585 24 89-01	DECAL	US Only	1
9	585 24 87-01	DECAL	CE only	1
10	585 40 71-01	DECAL		1
11	585 37 16-01	DECAL		1
12	542 18 04-27	DECAL	US Only	1
13	586 63 98-01	HARNESS ASSY		1
14	583 95 95-01	CLAMP		5
15	581 79 01-01	DECAL	US Only	1
16	586 85 17-01	WASHER		1
17	587 70 91-01	KEY		1
18	587 70 40-01	KNOB		1



COOLING SYSTEM

FS5000, 2014-05

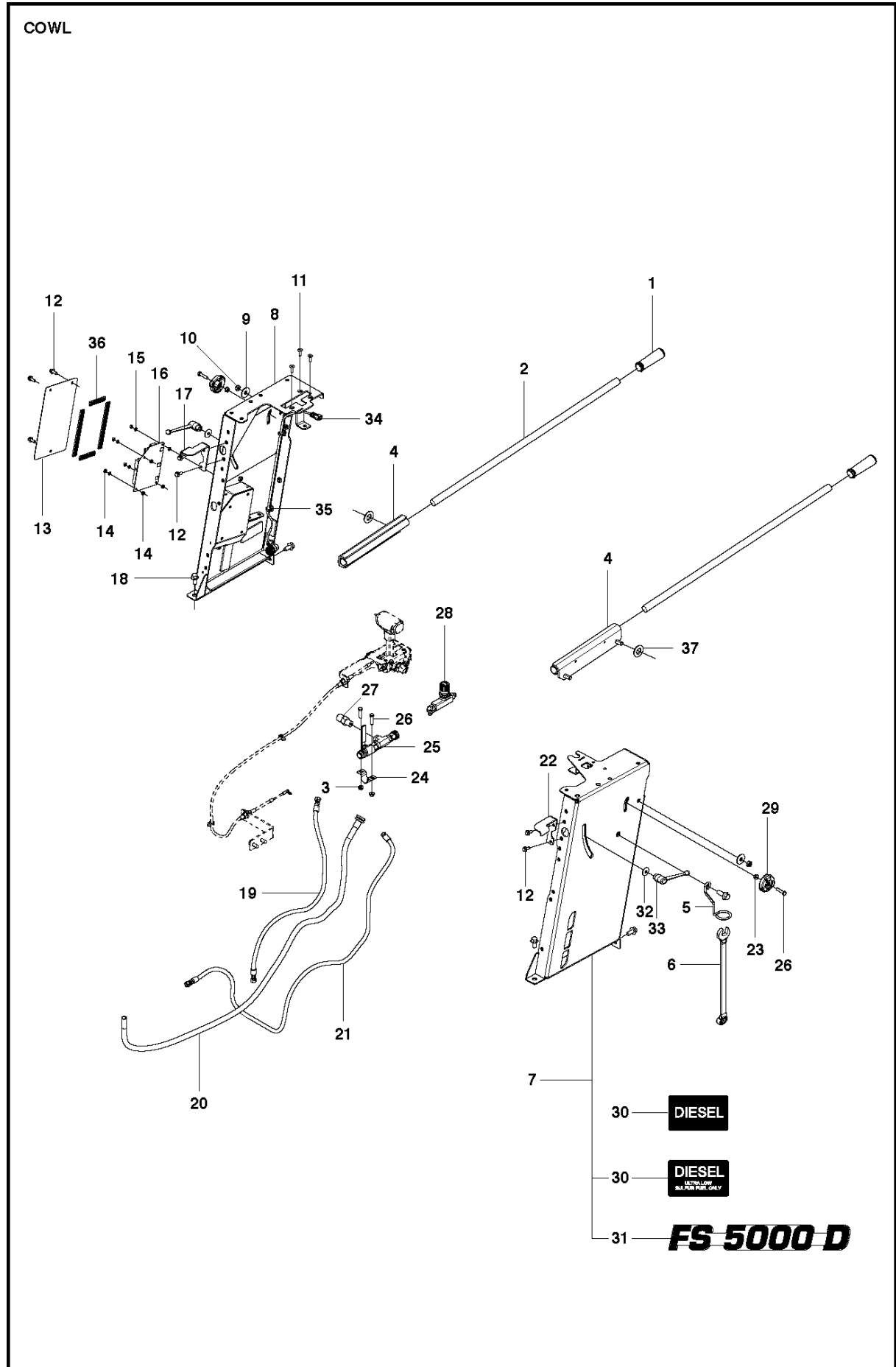
Ref	Part No	Description	Remark	QTY KIT
1	581 18 96-01	RADIATOR ASSY		1
2	585 97 54-01	SCREW EHHFM		26
3	583 91 21-01	BRACKET		2
4	586 66 74-01	PLATE	Left Side	1
5	586 66 73-01	PLATE	Right Side	1
6	586 34 91-01	BRACKET		1
7	580 87 54-01	FAN COVER	Upper	1
8	580 87 53-01	FAN COVER	Lower	1
9	542 16 66-24	BOLT		10
10	576 31 52-03	HOSE CLAMP		6
11	580 88 29-01	HOSE		1
12	542 16 63-93	CAP		1
13	586 20 24-01	HEAT SHIELD		1
14	584 47 47-01	RADIATOR		1
15	584 61 81-01	HOSE		1
16	580 88 30-01	HOSE		1
17	542 02 00-49	HOSE CLAMP		1
18	584 46 90-01	HOSE		1
19	542 20 51-36	BRACKET. SUB-TANK		1
20	731 71 18-51	HEXAGON NUT FLANGE		2
21	585 97 56-01	SCREW EHHFM		4
22	542 20 51-34	TANK ASSY		1
23	583 95 95-01	CLAMP		1
24	581 12 88-01	BRACKET		2
25	581 22 51-01	HOSE ASSY		1
26	586 66 76-01	BRACKET		1
27	586 66 77-01	BRACKET		1
28	586 66 78-01	BRACKET		1
29	586 17 51-01	DECAL		1



COVER

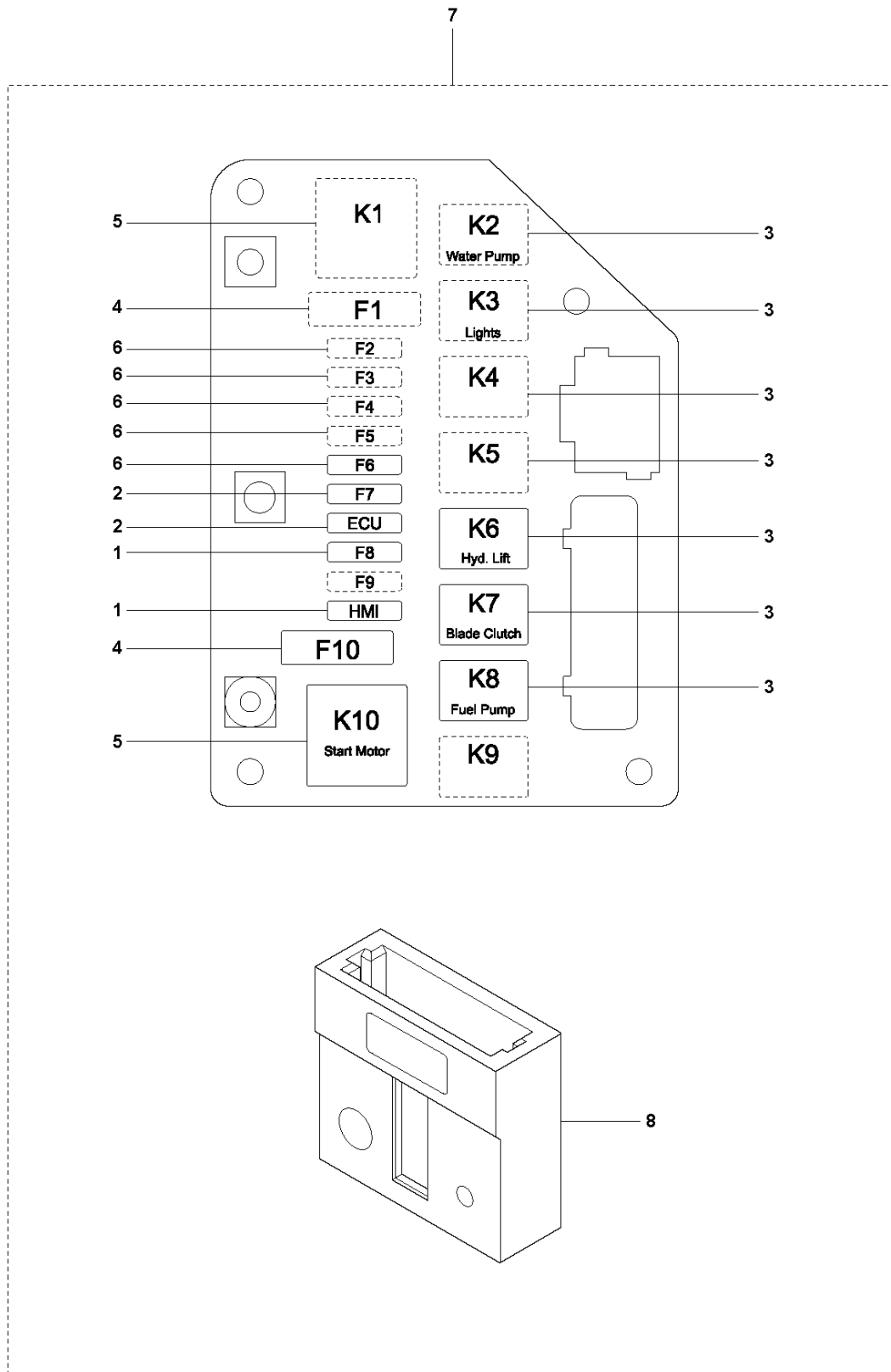
FS5000, 2014-05

Ref	Part No	Description	Remark	QTY KIT
1	586 61 65-01	COVER		1
2	586 34 92-01	COVER	Right Side	1
3	586 61 51-01	COVER	Left Side	1
4	586 61 73-01	PLATE		1
5	585 97 33-01	SCREW EHHFM		8
6	581 16 67-01	HINGE		2
7	731 71 16-51	HEXAGON NUT FLANGE		4
8	581 15 81-01	FILTER		1
9	542 04 03-30	SPRING		2
10	586 61 53-01	RETAINER		2
11	587 20 11-01	DECAL	US Only	1
11	587 20 10-01	DECAL	CE Only	1
12	585 97 54-01	SCREW EHHFM		6
13	580 83 00-01	PLATE		1
14	581 17 53-01	INSULATOR		2
15	581 17 53-02	INSULATOR		2
16	586 00 36-01	PROTECTION		1
17	585 97 54-01	SCREW EHHFM		3
18	586 00 35-01	PROTECTION		1
19	586 00 38-01	PROTECTION		1
20	585 29 48-01	DECAL		2
21	585 94 93-01	DECAL		1
22	542 16 68-53	DECAL	US Only	1
23	586 61 48-01	LATCH		6
25	586 00 37-01	PROTECTION		1
26	586 61 70-01	LATCH		2

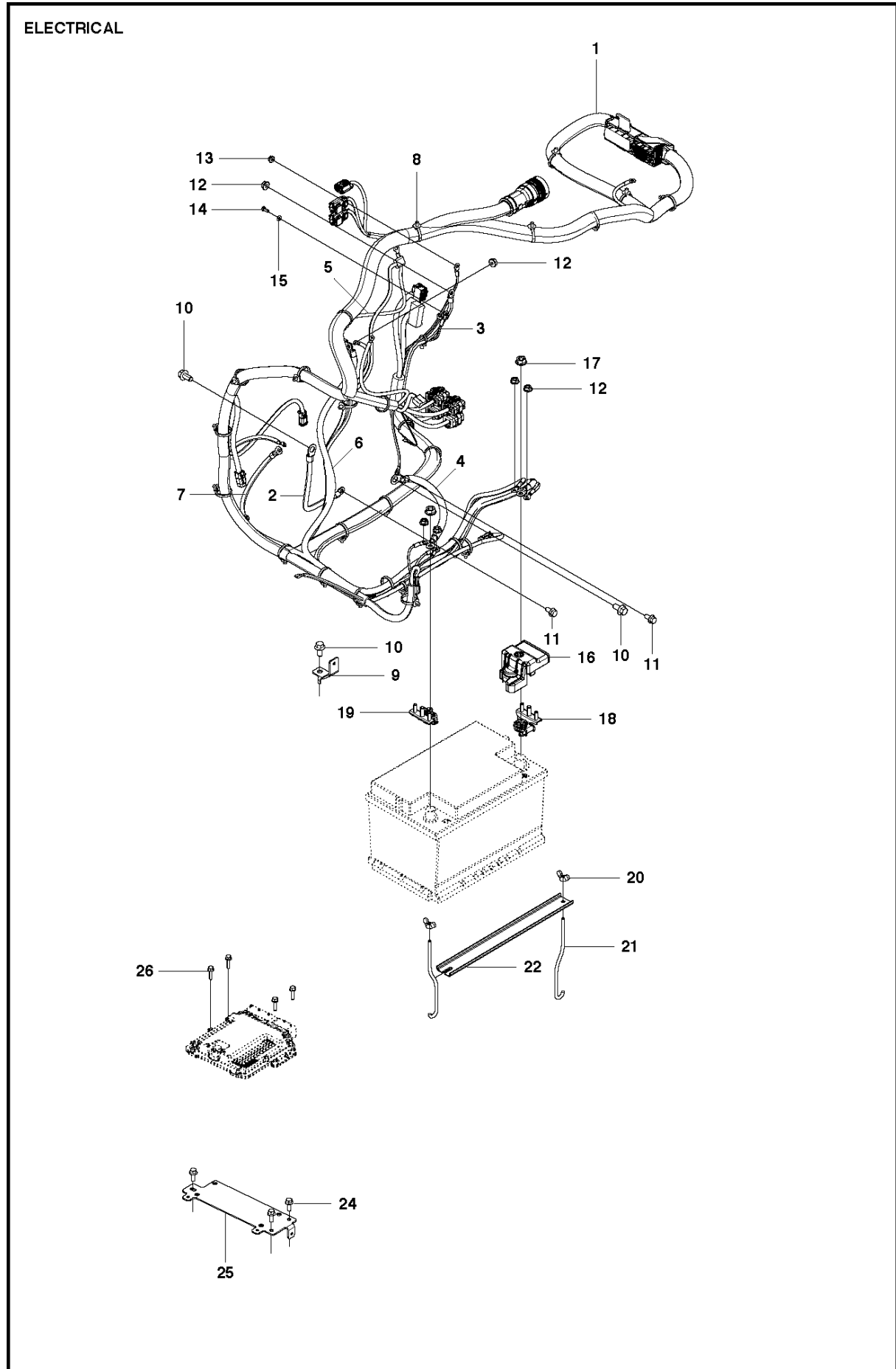


Ref	Part No	Description	Remark	QTY	KIT
1	542 13 95-68	GRIP		2	
2	539 30 03-40	HANDLEBAR		2	
3	542 16 75-55	NUT		2	
4	579 40 50-01	HANDLE		2	
5	578 10 73-01	HOLDER		1	
6	504 62 64-03	WRENCH		1	
7	586 61 99-01	COWL PANEL	Left	1	
8	586 62 00-01	COWL PANEL	Right	1	
9	734 11 78-01	WASHER		2	
10	732 25 22-01	HEXAGON LOCKING NUT		2	
11	725 64 53-01	SCREW IHCSFM		3	
12	585 97 54-01	SCREW EHHFM		7	
13	581 04 61-01	HATCH		1	
14	731 23 16-01	HEXAGON NUT		8	
15	734 11 52-01	WASHER		4	
16	581 33 36-01	ELECTRICAL SYSTEM		1	
17	586 61 94-01	BRACKET	Right	1	
18	585 23 59-01	SCREW EHHFM		5	
19	584 21 69-01	HYDRAULIC HOSE		1	
20	584 90 45-03	HOSE		1	
21	584 21 67-01	HYDRAULIC HOSE		1	
22	586 61 97-01	BRACKET	Left	1	
23	731 71 18-51	HEXAGON NUT FLANGE		2	
24	581 19 22-01	BRACKET		1	
25	586 02 24-01	CONNECTOR		1	
26	725 24 57-71	SCREW EHHM		4	
27	542 17 87-24	SWITCH		1	
28	586 02 25-01	CONTROL VALVE		1	
29	504 56 93-01	TURNING KNOB		2	
30	585 37 04-01	DECAL	US Only	1	7
30	542 18 10-59	DECAL	CE Only	1	7
31	585 25 45-01	DECAL		2	7
32	542 02 07-45	HS350T RINGS/		2	
33	585 59 46-01	LEVER		2	
34	584 13 66-01	HARNESS		1	
35	583 95 95-01	CLAMP		2	
36	586 60 98-01	SEAL		1	
37	539 30 02-74	WASHER, FRICTION 1/2 X 1" OD		2	

ELECTRICAL-2



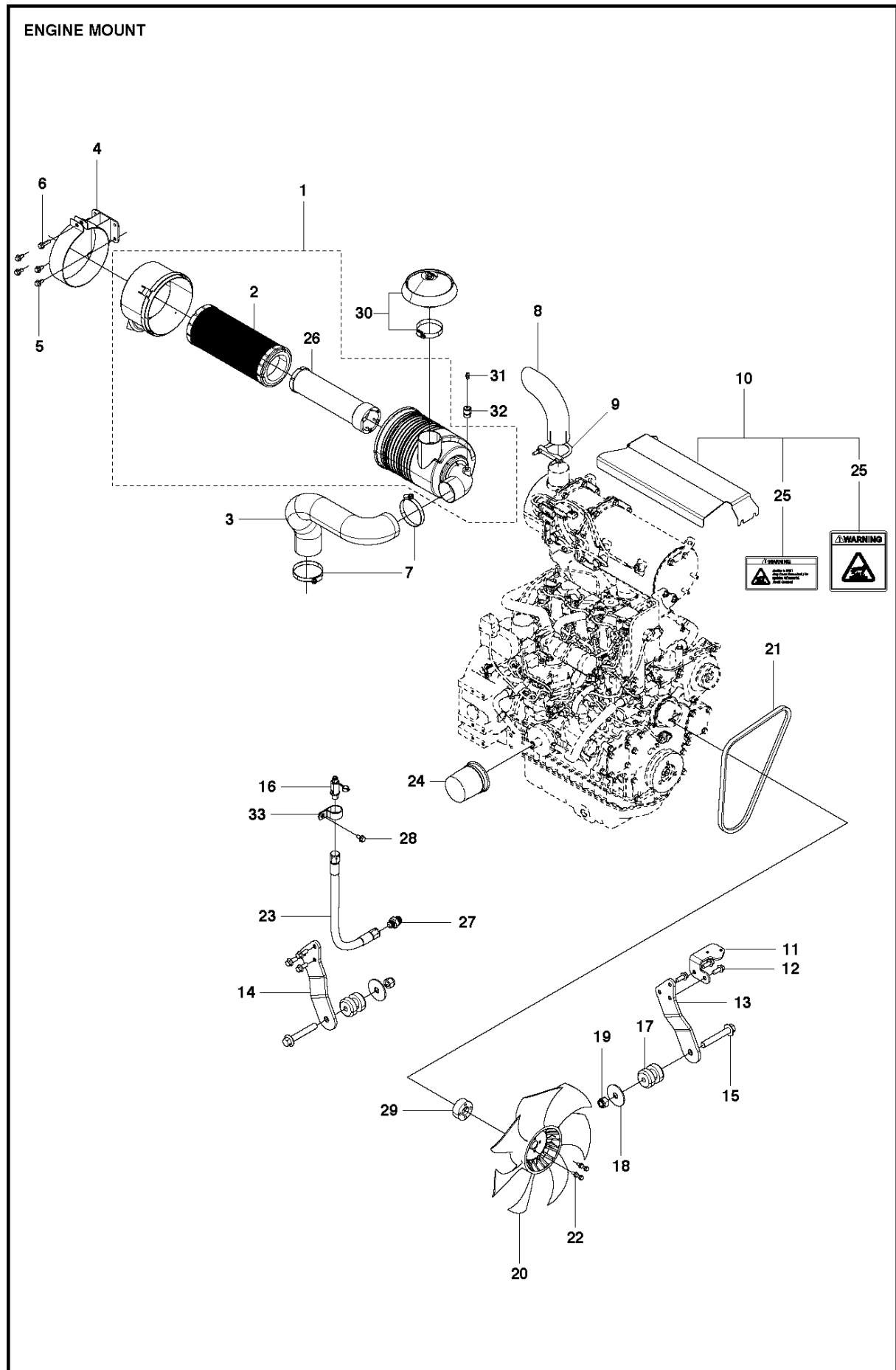
Ref	Part No	Description	Remark	QTY KIT
2	531 30 24-20	FUSE	20 A Fuse	3
3	531 30 24-21	FUSE	25 A Fuse	2
5	581 07 45-01	RELAY	25 A Relay	4
1	581 41 21-01	FUSE	60 A Fuse	2
4	581 07 46-01	RELAY	70 A Relay	2
6	531 30 24-19	FUSE	15 A Fuse	1
7	581 33 36-01	ELECTRICAL SYSTEM		1
8	501 69 62-01	FUSE HOLDER		1



ELECTRICAL

FS5000, 2014-05

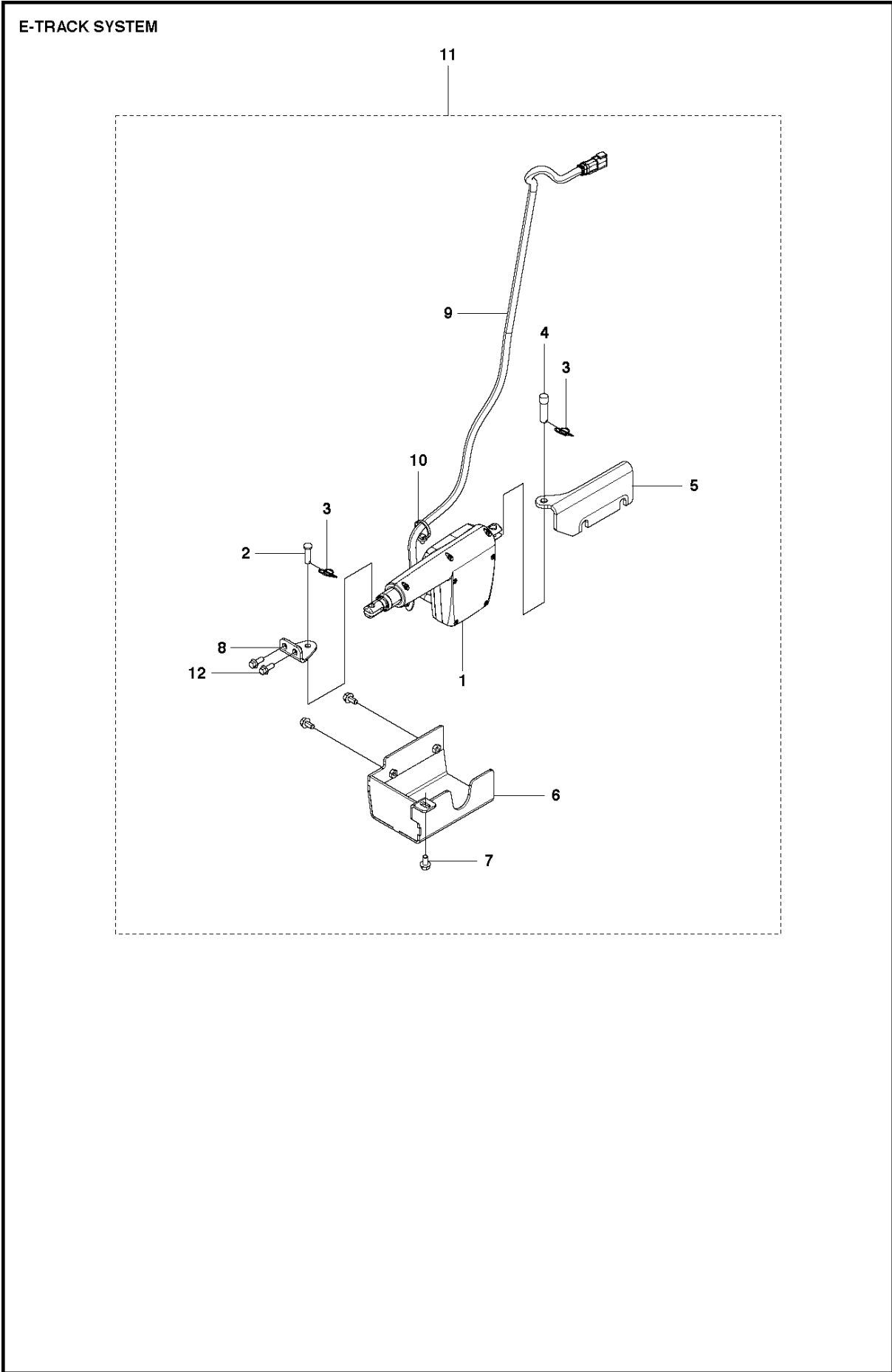
Ref	Part No	Description	Remark	QTY KIT
1	585 82 94-01	HARNESS ASSY		1
2	581 07 32-05	HARNESS ASSY	Hydraulic Pump - Chassie	1
3	581 07 32-12	HARNESS ASSY	BATT + Relay Box	1
4	581 07 32-13	HARNESS ASSY	GROUND - Chassie	1
5	581 07 32-14	HARNESS ASSY	BATT + Starter	1
6	581 07 32-15	HARNESS ASSY	BATT + Generator	1
7	581 07 32-16	HARNESS ASSY	BATT + Hydraulic Pump	1
8	583 95 95-01	CLAMP		30
9	581 28 17-01	BRACKET		1
10	725 24 91-61	SCREW EHHFT		3
11	725 24 49-61	SCREW EHHFT		2
12	731 71 16-51	HEXAGON NUT FLANGE		6
13	731 71 16-51	HEXAGON NUT FLANGE		1
14	725 23 27-71	SCREW EHHM		1
15	734 11 46-01	WASHER		1
16	581 33 65-01	ELECTRICAL SYSTEM		1
17	731 71 18-51	HEXAGON NUT FLANGE		2
18	581 33 63-01	ELECTRICAL SYSTEM		1
19	581 33 64-01	ELECTRICAL SYSTEM		1
20	577 24 49-01	WING NUT		2
21	584 65 09-01	BOLT		2
22	581 15 98-01	PLATE		1
23	581 27 18-01	BATTERY	US Only	1
24	585 97 54-01	SCREW EHHFM		3
25	584 13 54-01	BRACKET		1
26	585 98 03-01	SCREW EHHFM		4



ENGINE

FS5000, 2014-05

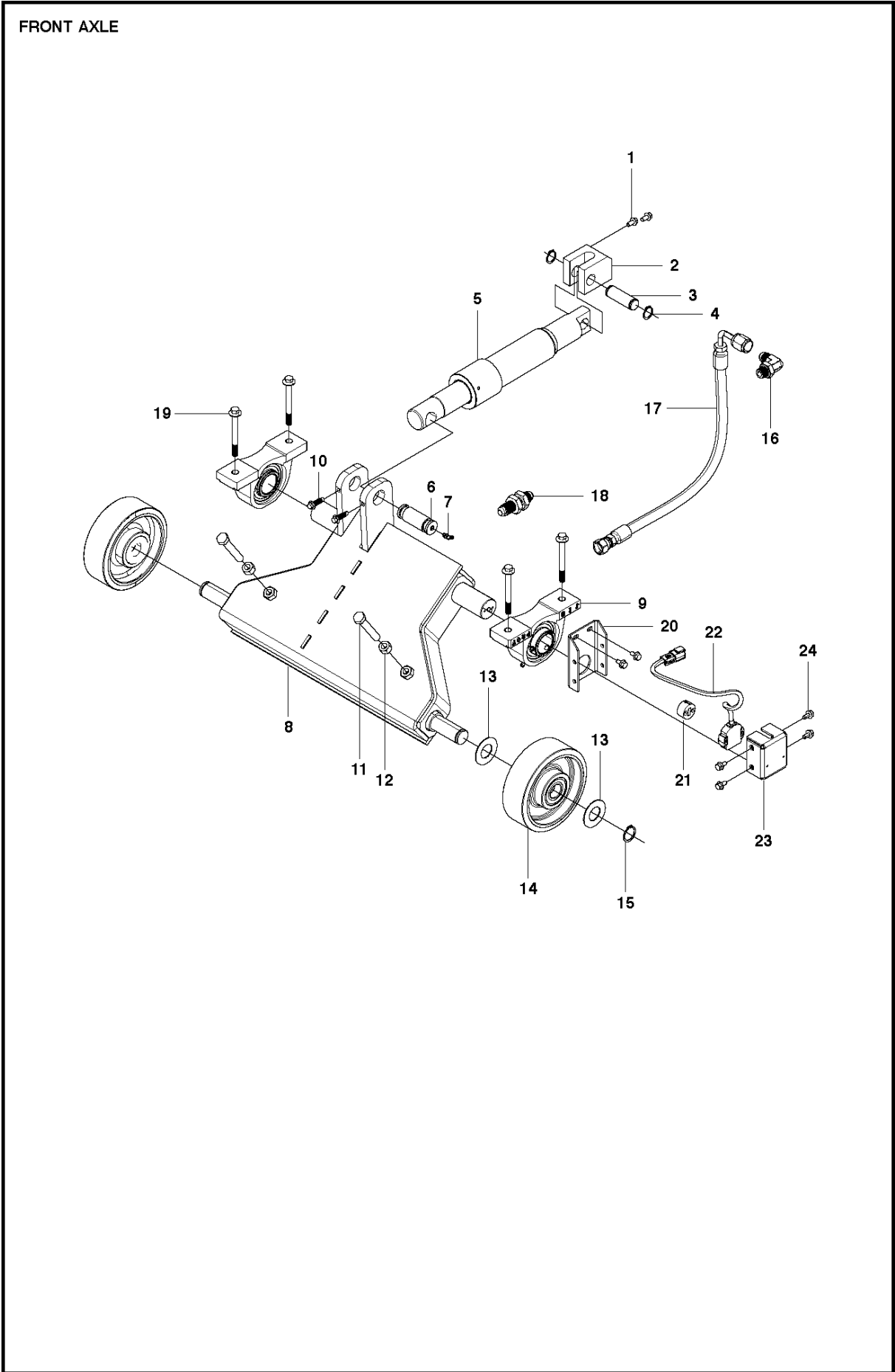
Ref	Part No	Description	Remark	QTY	KIT
1	581 05 88-01	AIR CLEANER		1	
2	542 16 64-53	AIR FILTER		1	1
3	581 10 41-01	HOSE		1	
4	581 06 67-01	BRACKET		1	
5	585 97 56-01	SCREW EHHFM		4	
6	585 97 28-01	SCREW EHHFM		1	
7	576 31 52-07	HOSE CLAMP		2	
8	581 27 51-01	EXHAUST PIPE		1	
9	541 20 04-83	KLAMMER		1	
10	586 83 10-01	BRACKET		1	
11	583 89 84-01	BRACKET		1	
12	585 97 31-01	SCREW EHHFM		6	
13	579 22 01-01	MOUNT	Right Side	1	
14	579 22 02-01	MOUNT	Left Side	1	
15	581 24 94-02	SCREW EHHFM		2	
16	542 16 69-07	VALVE		1	
17	542 16 63-52	SILENBLOC E/FS1200T PO		2	
18	579 23 20-01	WASHER		2	
19	576 87 89-28	NUT		2	
20	586 18 73-01	FAN		1	
21	586 03 86-01	BELT		1	
22	535 47 52-40	SCREW EHHFM		4	
23	584 97 09-01	HOSE ASSY		1	
24	542 20 63-69	OIL FILTER		1	
25	542 16 90-65	DECAL	US	1	
25	585 37 06-01	DECAL		1	
26	542 16 64-54	AIR FILTER		1	1
27	581 20 61-01	ADAPTER		1	
28	585 97 56-01	SCREW EHHFM		1	
29	586 18 75-01	HUB		1	
30	542 20 51-64	CAP		1	
31	542 16 68-80	ADAPTOR, RESTRICTION/INDICATOR		1	
32	541 20 09-89	GAUGE		1	
33	542 17 86-56	CLAMP		1	



E-TRACK SYSTEM

FS5000, 2014-05

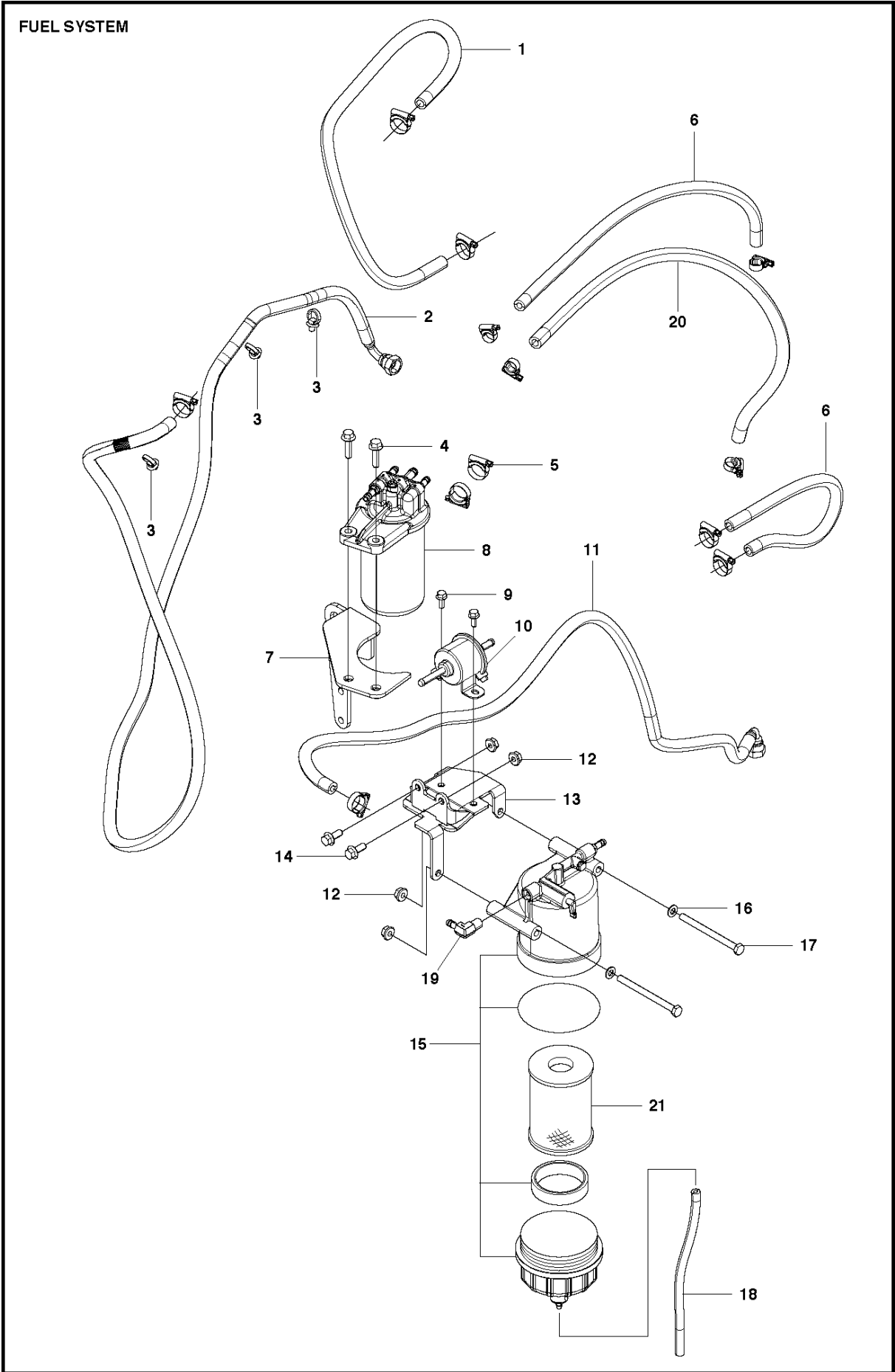
Ref	Part No	Description	Remark	QTY	KIT
1	586 15 58-01	ACTUATOR		1	11
2	542 19 92-41	BOLT		1	11
3	585 98 04-01	SCREW EHHFM		2	11
4	542 19 92-39	BOLT		1	11
5	586 14 92-01	BRACKET		1	11
6	586 16 73-01	LID		1	11
7	585 97 56-01	SCREW EHHFM		3	11
8	586 14 60-01	BRACKET		1	11
9	586 87 27-01	CABLE		1	11
10	583 95 95-01	CLAMP		1	11
11	586 91 44-01	E-TRACK SYSTEM		1	
12	585 97 54-01	SCREW EHHFM		2	



FRONT AXEL

FS5000, 2014-05

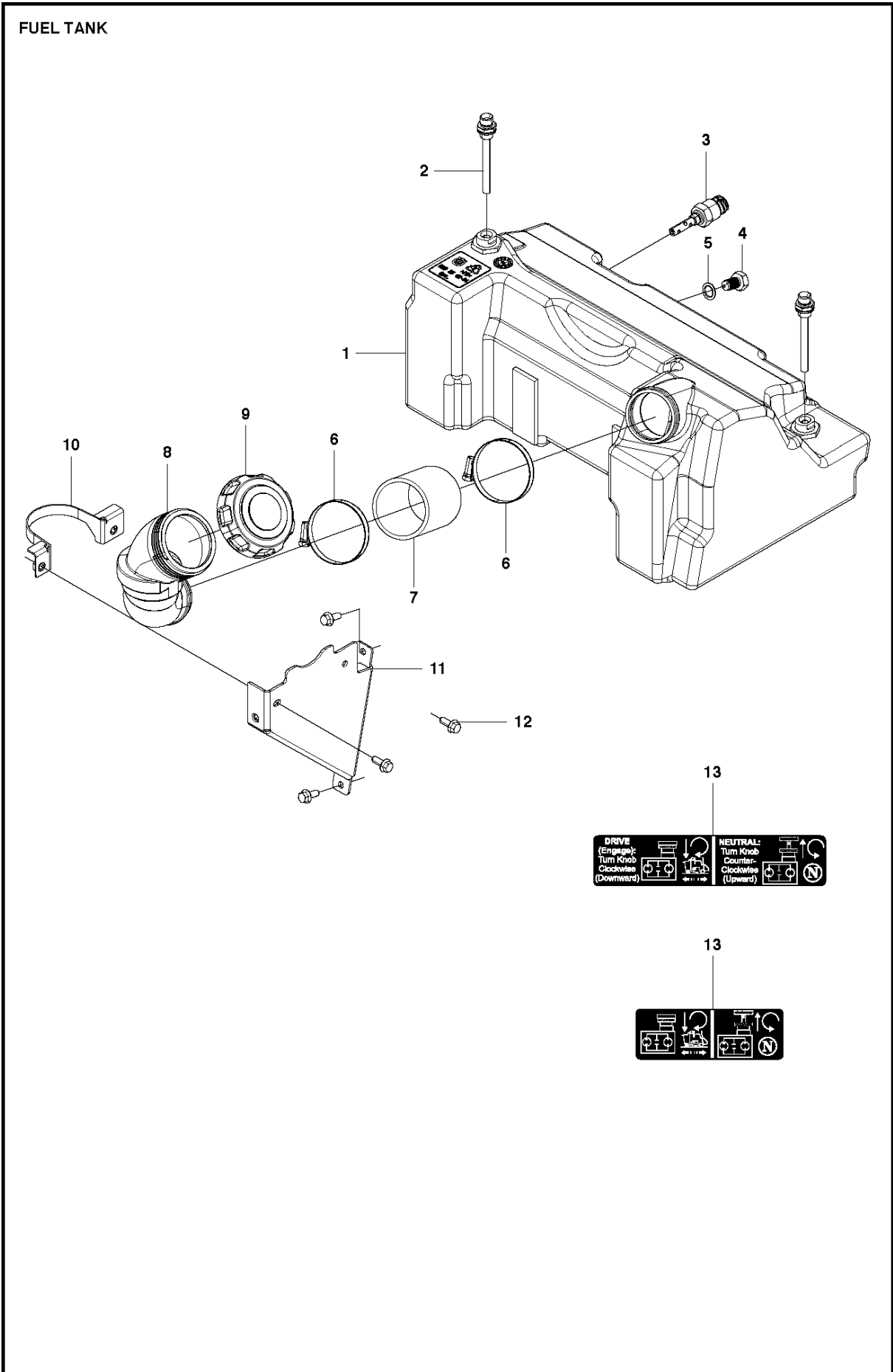
Ref	Part No	Description	Remark	QTY KIT
1	585 97 52-01	SCREW EHHFM		2
2	579 59 57-01	BLOCK		1
3	579 52 58-01	SHAFT		1
4	735 31 22-01	CIRCLIP		2
5	579 24 63-01	HYDRAULIC CYLINDER		1
6	579 52 55-01	SHAFT		1
7	581 06 88-01	GREASE		1
8	586 68 42-01	FRONT AXLE		1
9	579 73 54-01	BALL BEARING		2
10	542 19 90-53	BODY		2
11	725 25 46-71	SCREW EHHM		2
12	731 23 22-01	HEXAGON NUT		2
13	542 04 64-02	WASHER		4
14	542 19 17-16	WHEEL		2
15	735 31 26-01	CIRCLIP		2
16	581 20 54-01	ADAPTER		1
17	584 14 38-01	HYDRAULIC HOSE		1
18	581 20 55-01	ADAPTER		1
19	576 65 48-11	SCREW EHHFM		4
20	579 33 03-01	PLATE		1
21	581 14 06-01	MAGNET		1
22	581 14 07-01	SENSOR		1
23	579 33 02-01	BOX		1
24	585 98 06-01	SCREW EHHFM		6



FUEL SYSTEM

FS5000, 2014-05

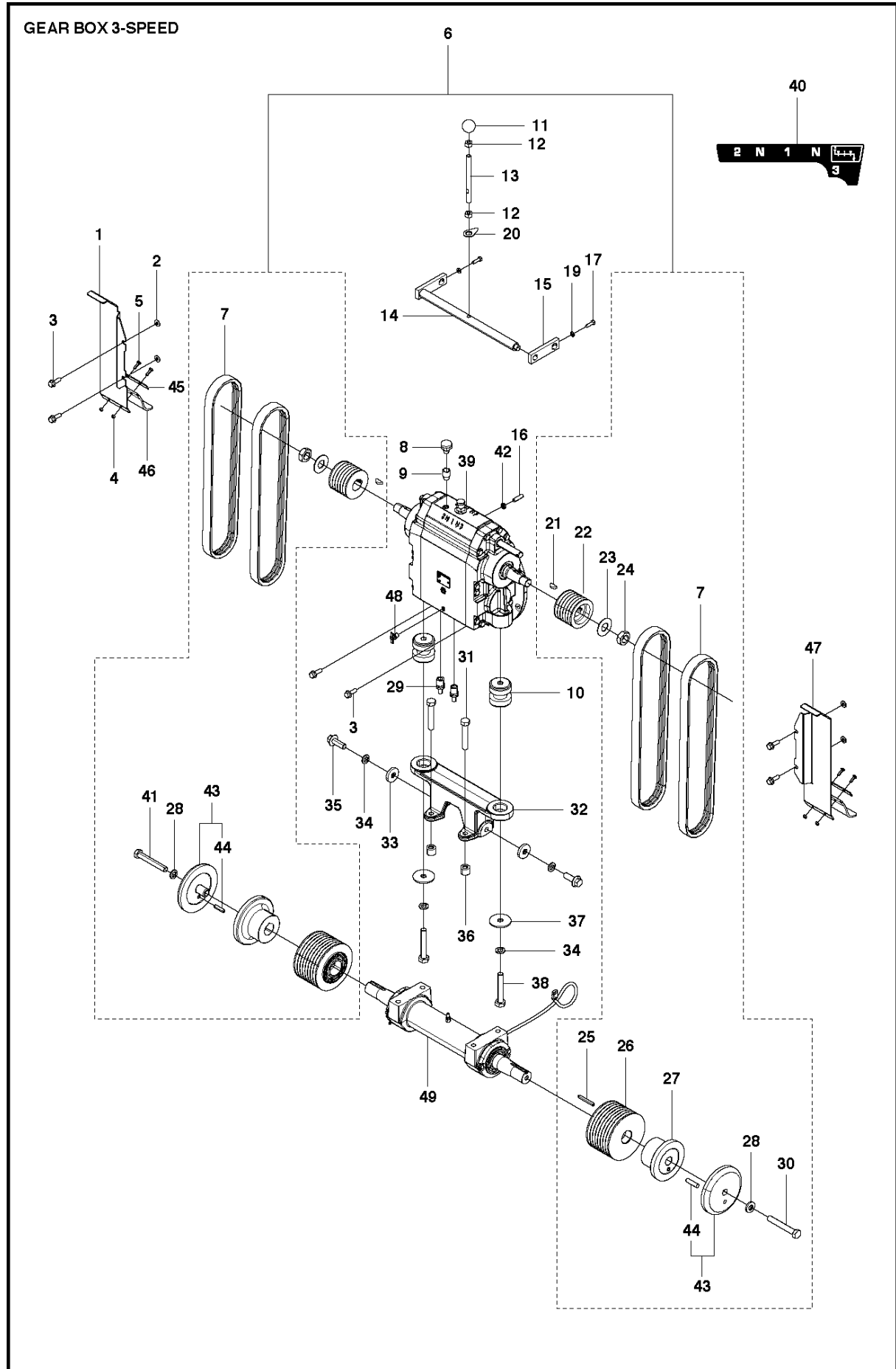
Ref	Part No	Description	Remark	QTY KIT
1	585 86 03-01	FUEL HOSE		1
2	581 22 52-01	HOSE ASSY		1
3	583 95 95-01	CLAMP		3
4	585 97 28-01	SCREW EHHFM		2
5	542 02 00-49	HOSE CLAMP		10
6	585 85 89-01	FUEL HOSE		2
7	580 95 18-01	BRACKET		1
8	581 76 75-01	FUEL FILTER		1
9	585 98 06-01	SCREW EHHFM		2
10	581 76 74-01	FUEL PUMP		1
11	581 22 53-01	HOSE ASSY		1
12	731 71 18-51	HEXAGON NUT FLANGE		4
13	584 86 72-01	BRACKET		1
14	585 97 56-01	SCREW EHHFM		4
15	581 76 73-01	WATER SEPARATOR		1
16	734 11 63-01	WASHER		2
17	725 24 71-51	SCREW EHHM		2
18	586 27 22-01	FUEL HOSE		1
19	585 24 45-01	FITTING		1
20	585 86 72-01	FUEL HOSE		1
21	587 68 98-01	FILTER		1



FUEL TANK

FS5000, 2014-05

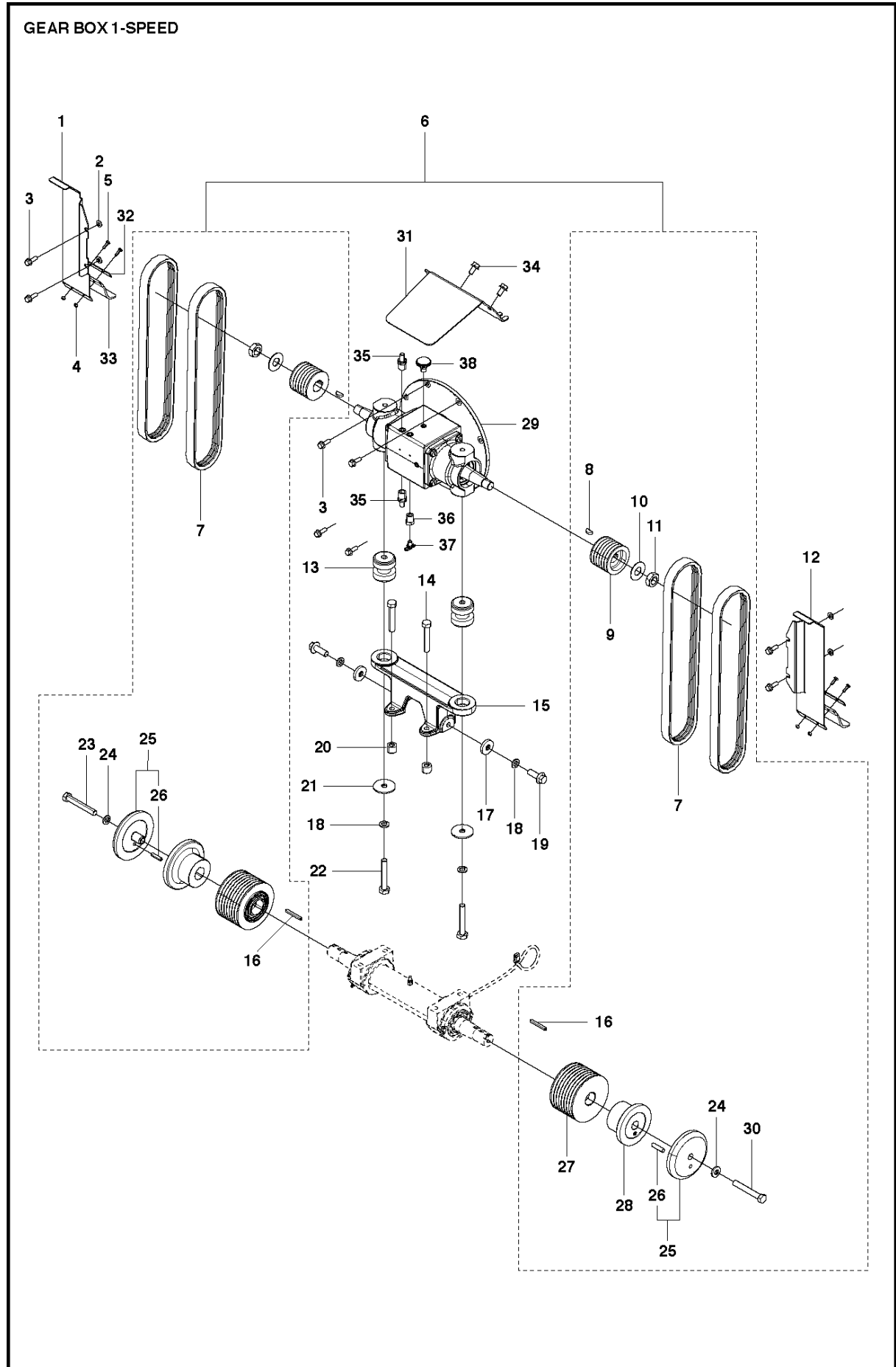
Ref	Part No	Description	Remark	QTY KIT
1	586 03 67-01	FUEL TANK ASSY		1
2	581 12 91-02	ADAPTER		2
3	584 26 82-01	SENSOR		1
4	585 59 54-01	PLUG		1
5	740 38 29-01	SEALING WASHER		1
6	576 31 52-07	HOSE CLAMP		2
7	581 05 36-01	HOSE		1
8	581 10 97-01	PIPE		1
9	539 10 63-30	TANK CAP		1
10	583 91 40-01	BRACKET		1
11	583 96 68-01	BRACKET		1
12	585 97 54-01	SCREW EHHFM		4
13	542 19 06-28	DECAL	US Only	1
13	585 29 97-01	DECAL	CE Only	1



GEAR BOX

FS5000, 2014-05

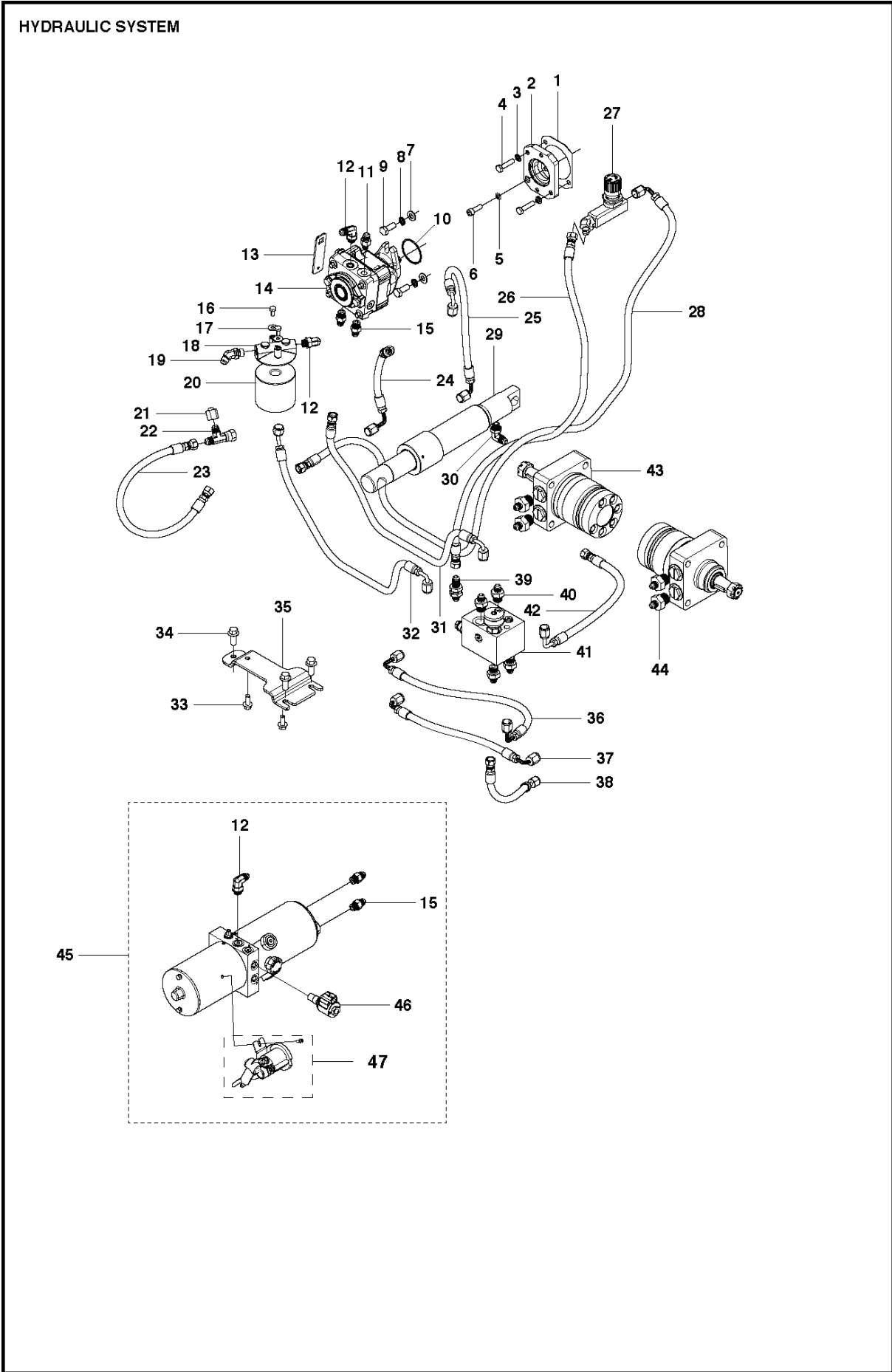
Ref	Part No	Description	Remark	QTY KIT
1	581 02 10-01	BELT GUARD	Right Side	1
2	734 11 72-01	WASHER		7
3	725 24 95-71	SCREW EHHM		6
4	732 25 16-01	HEXAGON LOCKING NUT		4
5	586 12 02-01	SCREW EHHFM		4
6	587 21 74-06	BELT		1
6	587 21 74-07	BELT		1
6	587 21 74-08	BELT		1
7	585 51 50-01	V-BELT	26", 30". QTY in package: 1	4
7	541 20 13-91	V-BELT	36", QTY in package: 1	4
8	504 53 96-01	FITTING		1
9	504 53 75-01	FITTING		1
10	542 16 63-52	SILENBLOC E/FS1200T PO		2
11	542 16 32-14	BOULE/		1
12	539 99 02-58	NUT		2
13	542 20 63-97	HANDLE		1
14	542 20 62-58	SHIFT ROD. LONG. Z/P		1
15	579 56 74-01	ARM		2
16	542 20 64-16	STUD. M10 X 25MM		1
17	539 99 02-09	SCREW		2
18	725 24 49-71	SCREW EHHM		2
19	735 11 64-01	SPRING WASHER		4
20	584 91 93-01	BRACKET		1
21	542 16 46-32	FS1200T KEY - WOODRUFF/		2
22	581 09 62-03	PULLEY	"26""	2
22	581 09 62-02	PULLEY	"30"" , 36""	2
23	542 16 64-80	WASHER		2
24	541 20 48-33	NUT		2
25	542 19 90-45	KEY		2
26	581 10 84-01	PULLEY	"26""	2
26	581 10 84-02	PULLEY	"30""	2
26	581 10 84-04	PULLEY	"36""	2
27	580 93 97-02	FLANGE	"26"" , 30""	2
27	580 96 20-01	FLANGE	"36""	2
28	522 96 59-42	WASHER		2
29	541 20 48-70	MUFFE 12"H X1/2 MPT		2
30	586 25 57-01	SCREW		1
31	542 16 63-68	SCREW		2
32	542 19 98-44	GEARBOX ISOLATOR BRACKET.BLACK		1
33	542 16 03-93	FS900T RING/		2
34	539 99 03-33	WASHER		4
35	542 16 74-47	SCREW		2
36	539 30 04-40	BOLT		2
37	542 20 63-56	WASHER		2
38	542 16 63-56	SCREW		2
39	581 27 28-01	GEARBOX		1
40	585 29 49-01	DECAL		1
41	586 25 59-01	SCREW		1
42	731 43 20-01	HEXAGON THIN NUT		1
43	586 00 93-01	COLLAR		2
43	586 00 94-01	FLANGE	"26""-30""	2
44	505 53 19-01	PIN	"36""	2
44	539 30 00-10	PIN	"14""-30""	2
45	581 52 18-01	PLATE	"36""	2
46	581 52 16-01	SPLASH GUARD		2
47	581 02 11-01	BELT GUARD		1
48	542 16 07-04	HAHN 1/4"NPT		1



GEAR BOX

FS5000, 2014-05

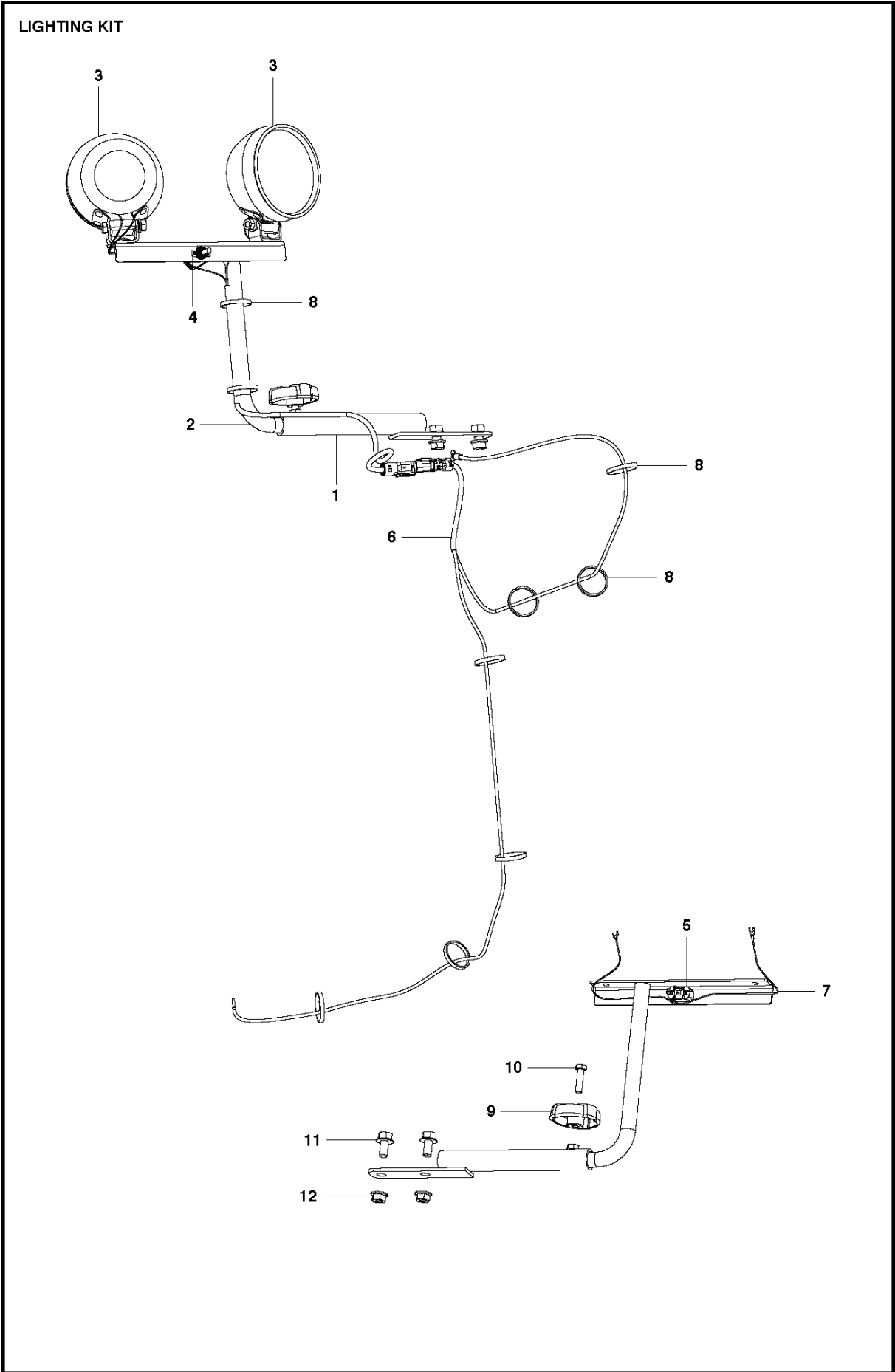
Ref	Part No	Description	Remark	QTY KIT
1	581 02 10-01	BELT GUARD	Right Side	1
2	734 11 72-01	WASHER		8
3	585 98 04-01	SCREW EHHFM		8
4	732 25 16-01	HEXAGON LOCKING NUT		4
5	586 12 02-01	SCREW EHHFM		4
6	587 21 74-01	BELT		1
6	587 21 74-02	BELT		1
6	587 21 74-03	BELT		1
6	587 21 74-04	BELT		1
6	587 21 74-05	BELT		1
7	576 44 91-51	V-BELT	"14""	4
7	505 77 74-01	V-BELT	"20"" , 30""	4
7	576 44 91-50	V-BELT	"26""	4
7	581 29 41-01	V-BELT	"36""	4
8	542 16 46-32	FS1200T KEY - WOODRUFF/		2
9	581 09 86-01	PULLEY	"14""	2
9	581 09 62-03	PULLEY	"20""	2
9	581 09 62-01	PULLEY	"26"" , 30"" , 36""	2
10	542 16 64-80	WASHER		2
11	541 20 48-33	NUT		2
12	581 02 11-01	BELT GUARD	Left Side	1
13	542 16 63-52	SILENBLOC E/FS1200T PO		2
14	542 16 63-68	SCREW		2
15	542 19 98-44	GEARBOX ISOLATOR BRACKET.BLACK		1
16	542 19 90-45	KEY		2
17	542 16 03-93	FS900T RING/		2
18	539 99 03-33	WASHER		4
19	542 16 74-47	SCREW		2
20	539 30 04-40	BOLT		2
21	542 20 63-56	WASHER		2
22	542 16 63-56	SCREW		2
23	586 25 59-01	SCREW		1
24	522 96 59-42	WASHER		2
25	586 00 92-01	COLLAR	"14""-20""	2
25	586 00 93-01	COLLAR	"26""-30""	2
25	586 00 94-01	FLANGE	"36""	2
26	505 53 19-01	PIN	"14""-30""	2
26	539 30 00-10	PIN	"36""	2
27	581 10 84-01	PULLEY	"14"" , 20"" , 26""	1
27	581 10 84-03	PULLEY	"30""	1
27	581 10 84-05	PULLEY	"36""	1
28	580 93 97-01	FLANGE	"14"" , 20""	2
28	580 93 97-02	FLANGE	"26"" , 30""	2
28	580 96 20-01	FLANGE	"36""	2
29	542 19 99-97	RIGHT ANGLE GEARBOX.SAE 5.BLCK		1
30	586 25 57-01	SCREW		1
31	586 00 33-01	PROTECTION		1
32	581 52 18-01	PLATE		2
33	581 52 16-01	SPLASH GUARD		2
34	585 97 56-01	SCREW EHHFM		2
35	541 20 48-70	MUFFE 12"H X1/2 MPT		2
36	542 13 96-49	ADAPTER		1
37	542 16 07-04	HAHN 1/4"NPT		1
38	542 20 66-60	BREATHER		1



HYDRAULIC SYSTEM

FS5000, 2014-05

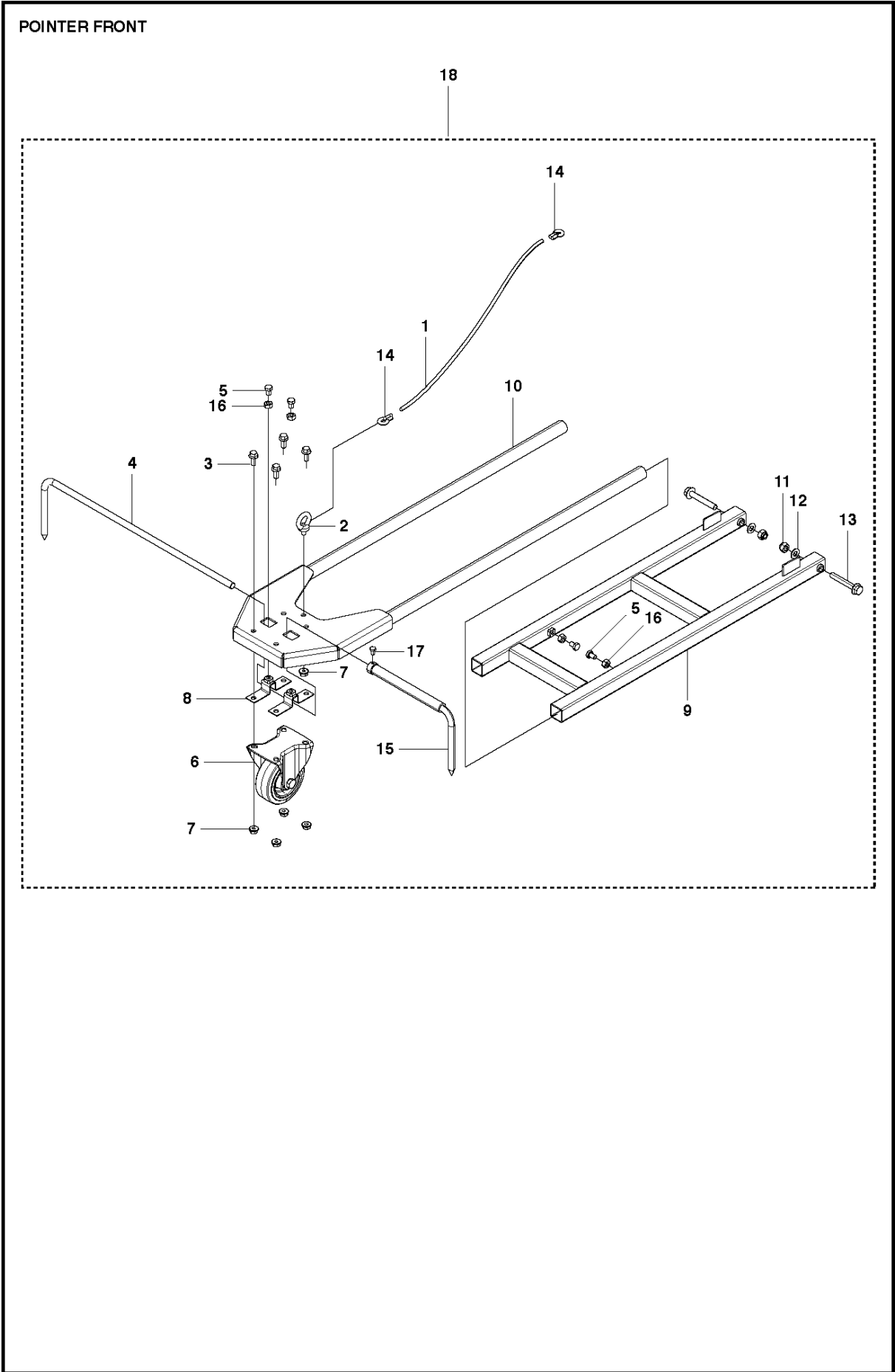
Ref	Part No	Description	Remark	QTY	KIT
1	542 20 62-11	GASKET		1	
2	581 78 77-01	SPACER		1	
3	735 11 64-01	SPRING WASHER		2	
4	725 24 57-76	SCREW EHHM		2	
5	542 02 07-77	SCHEIBE 5/16		1	
6	542 18 83-38	SHCS. M8-1.25 X 25		1	
7	734 11 72-01	WASHER		2	
8	735 11 73-01	SPRING WASHER		2	
9	725 24 93-71	SCREW EHHM		2	
10	542 20 60-67	O-RING		1	
11	581 20 53-02	ADAPTER		1	
12	583 94 72-01	ADAPTER		3	45
13	580 96 06-01	PLATE		1	
14	505 49 32-01	PUMP		1	
15	581 20 53-01	ADAPTER		4	45
16	542 02 03-01	CAP SCREW ITEM 40 020301/		2	
17	734 11 54-41	WASHER		2	
18	542 16 64-48	FILTER		1	
19	583 95 85-01	ADAPTER		1	
20	542 16 64-49	FILTER		1	
21	581 20 60-01	PLUG		1	
22	581 20 59-01	ADAPTER		1	
23	583 93 95-01	HYDRAULIC HOSE		1	
24	583 93 88-01	HYDRAULIC HOSE		1	
25	583 93 89-01	HYDRAULIC HOSE		1	
26	584 21 69-01	HYDRAULIC HOSE		1	
27	586 02 25-01	CONTROL VALVE		1	
28	584 21 67-01	HYDRAULIC HOSE		1	
29	579 24 63-01	HYDRAULIC CYLINDER		1	
30	581 20 54-01	ADAPTER		1	
31	583 93 75-01	HYDRAULIC HOSE		1	
32	583 93 58-01	HYDRAULIC HOSE		1	
33	585 97 54-01	SCREW EHHFM		2	
34	585 97 31-01	SCREW EHHFM		3	
35	580 95 84-01	BRACKET		1	
36	584 14 25-01	HYDRAULIC HOSE		1	
37	583 97 85-01	HYDRAULIC HOSE		1	
38	583 97 61-01	HYDRAULIC HOSE		1	
39	581 20 55-01	ADAPTER		1	
40	581 20 57-01	ADAPTER		4	
41	581 26 77-01	VALVE		1	
42	584 14 38-01	HYDRAULIC HOSE		1	
43	542 19 88-78	WHEEL		2	
44	541 20 49-91	HYDRAULIK KUPPLUNG		4	
45	581 25 59-01	HYDRAULIC PUMP		1	
46	522 84 91-10	PUMP		1	45
47	582 22 65-01	SOLENOID		1	45



LIGHTING KIT

FS5000, 2014-05

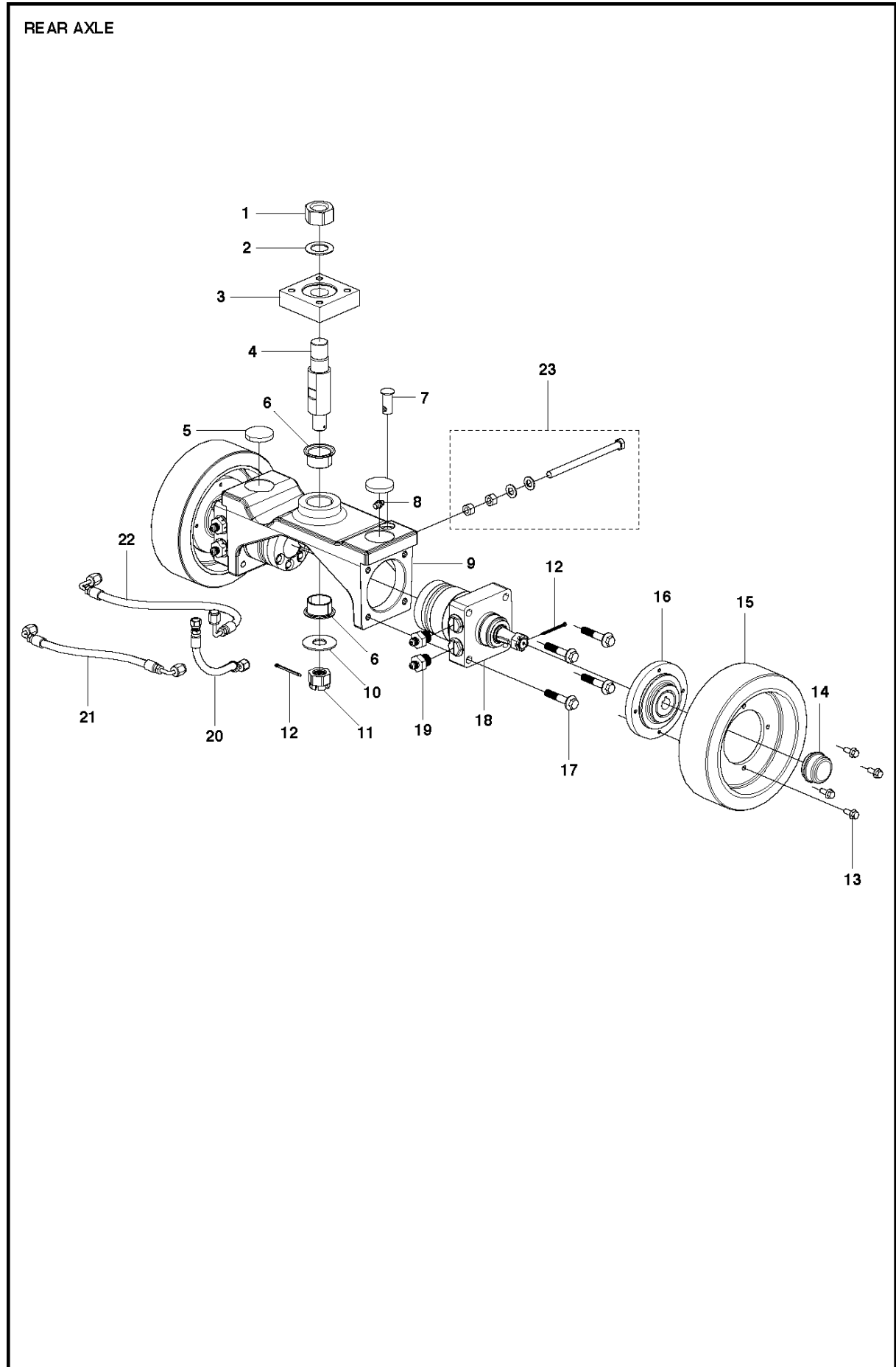
Ref	Part No	Description	Remark	QTY KIT
1	585 92 36-01	SUPPORT		1
2	542 18 11-20	BOGENSCHIENE		1
3	504 85 56-01	LAMP		2
4	542 09 05-52	PLATE		1
5	541 20 19-76	SWITCH		1
6	586 25 54-01	HARNESS ASSY		1
7	586 31 58-01	HARNESS ASSY		1
8	542 16 69-06	TIE WRAP		9
9	504 56 93-01	TURNING KNOB		1
10	725 24 55-71	SCREW EHHM		1
11	585 97 52-01	SCREW EHHFM		2
12	731 71 20-51	HEXAGON NUT FLANGE		2



POINTER FRONT

FS5000, 2014-05

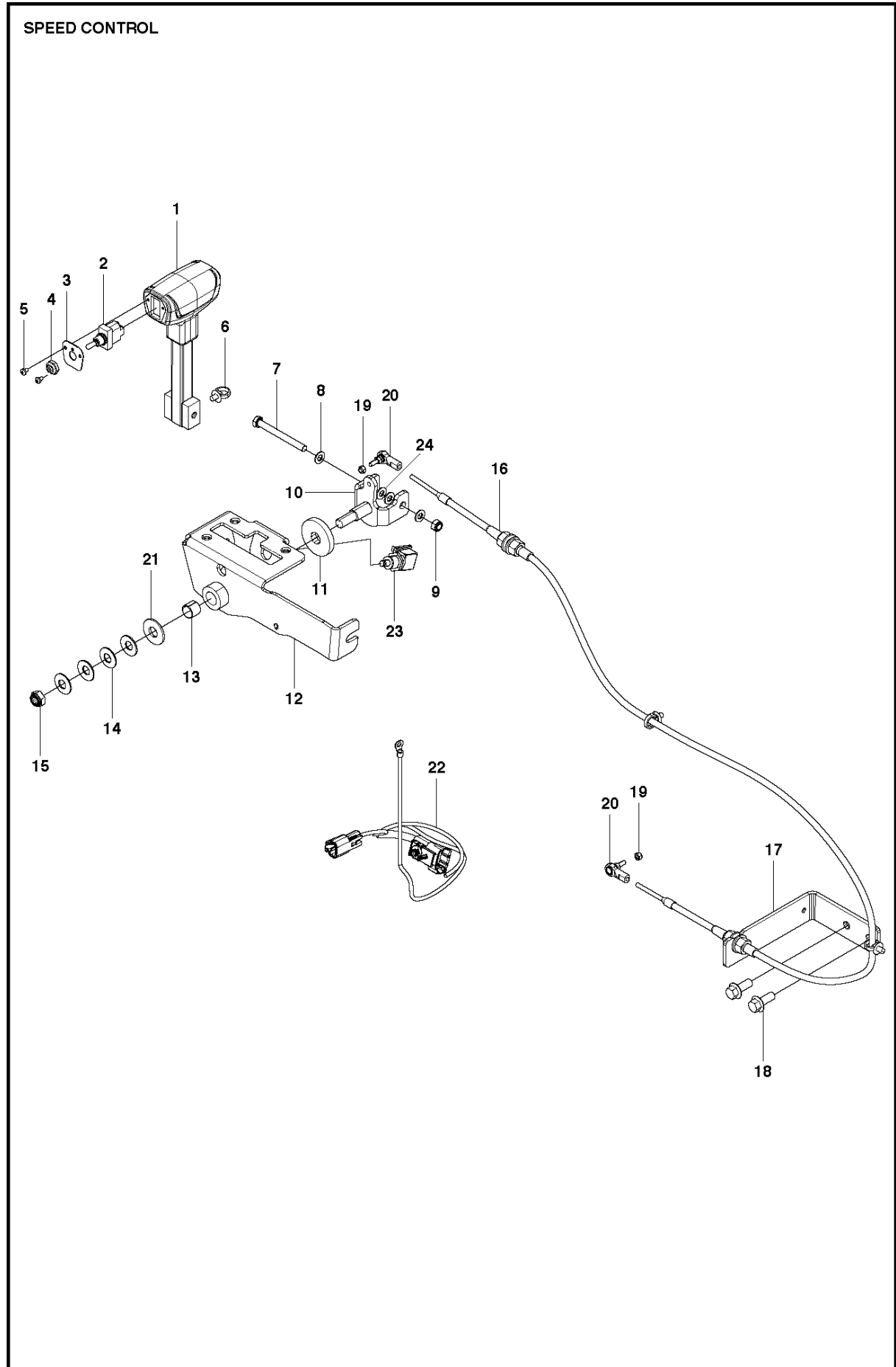
Ref	Part No	Description	Remark	QTY	KIT
1	542 02 08-90	CORDES/		1	18
2	584 91 14-01	EYE BOLT		1	18
3	585 97 54-01	SCREW EHHFM		4	18
4	581 22 26-01	ROD		1	18
5	725 24 51-71	SCREW EHHM		4	18
6	581 19 12-01	WHEEL		1	18
7	731 71 18-51	HEXAGON NUT FLANGE		5	18
8	581 22 25-01	BRACKET		2	18
9	581 21 37-01	POINTER		1	18
10	581 22 21-01	POINTER		1	18
11	732 25 20-01	HEXAGON LOCKING NUT		2	18
12	734 11 72-01	WASHER		2	18
13	581 24 33-01	SCREW EHHFM		2	18
14	541 20 04-67	CLAMP		2	18
15	585 89 15-01	POINTER		1	18
16	731 23 18-01	HEXAGON NUT		4	18
17	725 23 64-71	SCREW EHHM		1	18
18	586 81 49-01	POINTER		1	



REAR AXLE

FS5000, 2014-05

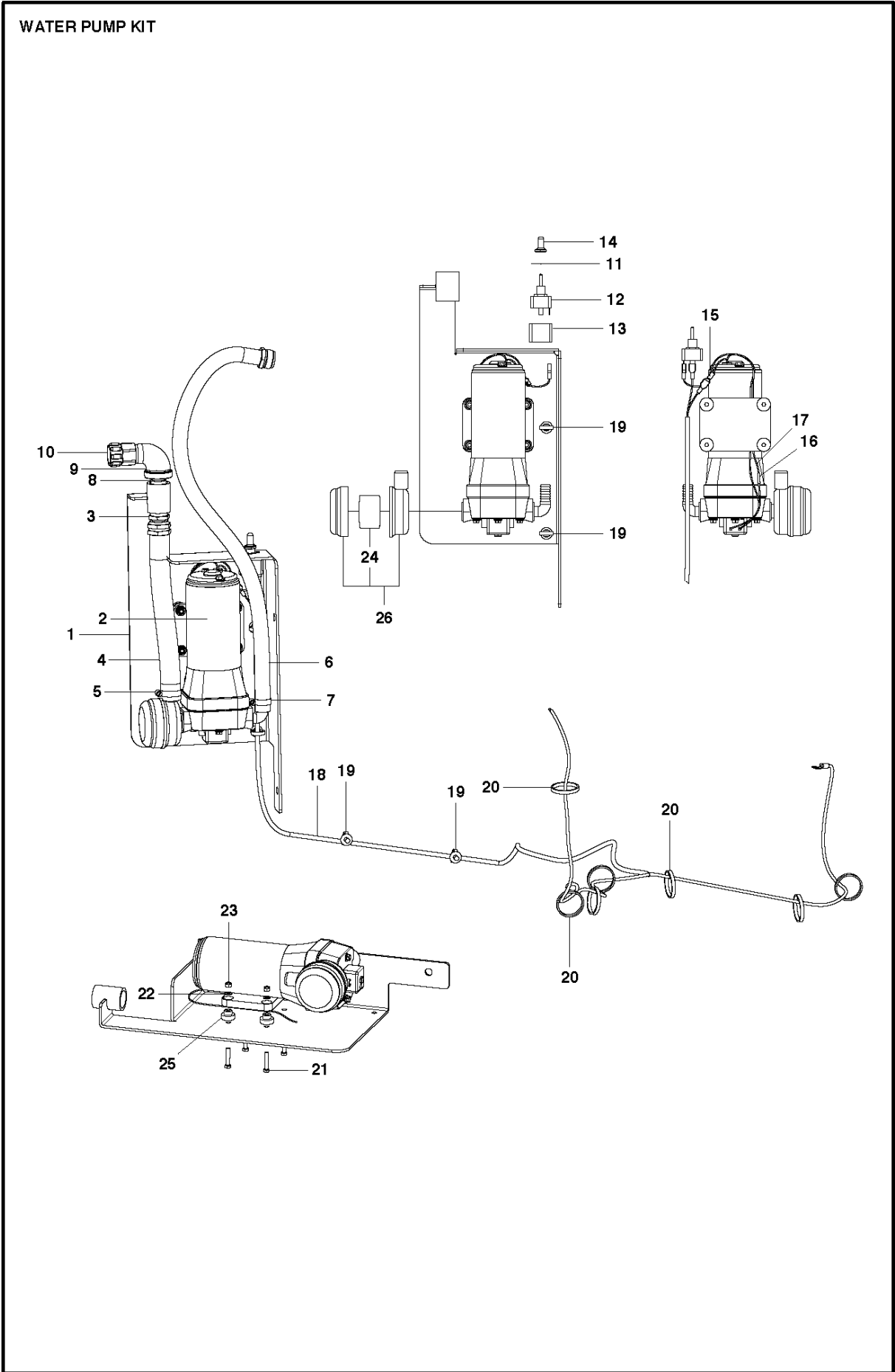
Ref	Part No	Description	Remark	QTY KIT
1	581 09 82-01	HEXAGON NUT		1
2	580 98 96-01	WASHER		1
3	578 78 26-01	BLOCK		1
4	578 78 27-01	SHAFT		1
5	578 78 32-01	DISC		2
6	580 25 53-01	BEARING BUSH		2
7	578 78 28-01	SWIVEL		1
8	504 20 45-01	GREASE		1
9	578 78 31-01	REAR AXLE		1
10	581 07 29-01	WASHER		1
11	578 85 01-01	NUT		1
12	721 62 03-01	SPLIT PIN		3
13	576 65 48-06	SCREW EHHFM		8
14	539 10 25-35	CAP		2
15	542 19 88-42	REAR WHEEL		2
16	542 19 88-43	HUB		2
17	576 65 48-06	SCREW EHHFM		8
18	542 19 88-78	WHEEL		2
19	541 20 49-91	HYDRAULIK KUPPLUNG		4
20	583 97 61-01	HYDRAULIC HOSE		1
21	583 97 85-01	HYDRAULIC HOSE		1
22	584 14 25-01	HYDRAULIC HOSE		1
23	587 21 83-01	E-TRACK SYSTEM		1



SPEED CONTROL

FS5000, 2014-05

Ref	Part No	Description	Remark	QTY KIT
1	579 73 29-01	HANDLE		1
2	542 18 21-02	SWITCH		1
3	581 11 85-01	PLATE		1
4	542 18 21-46	BOOT		1
5	724 12 85-51	SCREW		2
6	583 95 95-01	CLAMP		4
7	725 24 65-51	SCREW EHHM		1
8	734 11 63-01	WASHER		2
9	732 25 18-01	HEXAGON LOCKING NUT		1
10	579 74 50-01	ARM		1
11	579 42 56-01	WASHER		1
12	581 11 82-01	BRACKET		1
13	581 06 89-01	BEARING BUSH		1
14	542 18 31-24	SCHEIBENFEDER		4
15	732 25 22-01	HEXAGON LOCKING NUT		1
16	579 51 01-02	CABLE		1
17	580 95 86-01	BRACKET		1
18	585 97 31-01	SCREW EHHFM		2
19	541 20 52-53	NUT		2
20	542 16 64-66	ROD		2
21	542 02 07-45	HS350T RINGS/		1
22	581 07 36-01	HARNESS ASSY		1
23	542 17 63-98	SWITCH		1
24	505 63 45-01	FLAT WSHR .750X.379 X.031 DEL		2



WATER PUMP

FS5000, 2014-05

Ref	Part No	Description	Remark	QTY	KIT
1	586 27 09-01	BRACKET		1	
2	542 19 96-37	WATER PUMP		1	
3	542 17 86-87	ANSCHLUSSSTUTZEN 3/4 MGH X 3/4		1	
4	542 19 96-58	HOSE		1	
5	539 30 00-11	CLAMP, HOSE, MAH-6, 5/16-7/8		1	
6	542 19 96-57	HOSE		1	
7	576 31 52-05	HOSE CLAMP		1	
8	542 02 02-96	FS900T TUBE FILETE/		1	
9	541 20 45-91	ROHRVERBINDUNG 3/4"		1	
10	541 20 46-61	VEBINDUNG 3/4 MGH X 3/4 FPT		1	
11	542 09 05-52	PLATE		1	
12	542 19 96-48	SWITCH		1	
13	542 19 96-49	SWITCH		1	
14	539 30 01-13	SWITCH BOOT, GREY		1	
15	539 30 01-44	TERM., MALE DISCONNECT, 1/4"		1	
16	541 20 05-73	TERM.. BUTT SPLICE. 14 GA.		1	
17	586 45 67-01	HARNESS ASSY		1	
18	586 45 66-01	HARNESS ASSY		1	
19	583 95 95-01	CLAMP		4	
20	542 16 69-06	TIE WRAP		7	
21	725 23 33-71	SCREW EHHM		4	
22	734 11 46-01	WASHER		4	
23	732 25 14-01	HEXAGON LOCKING NUT		4	
26	542 19 96-41	EINLAUF FILTER		1	
25	542 19 96-40	KIT. GROMMET. WATER PUMP		1	
24	542 19 96-43	STRAINER SCREEN. W/P INLET FILTER		1	26