

WS 460

Reservdelar

Spare parts

Ersatzteile

Pieces de rechange

Piezas de repuesto

Ricambi

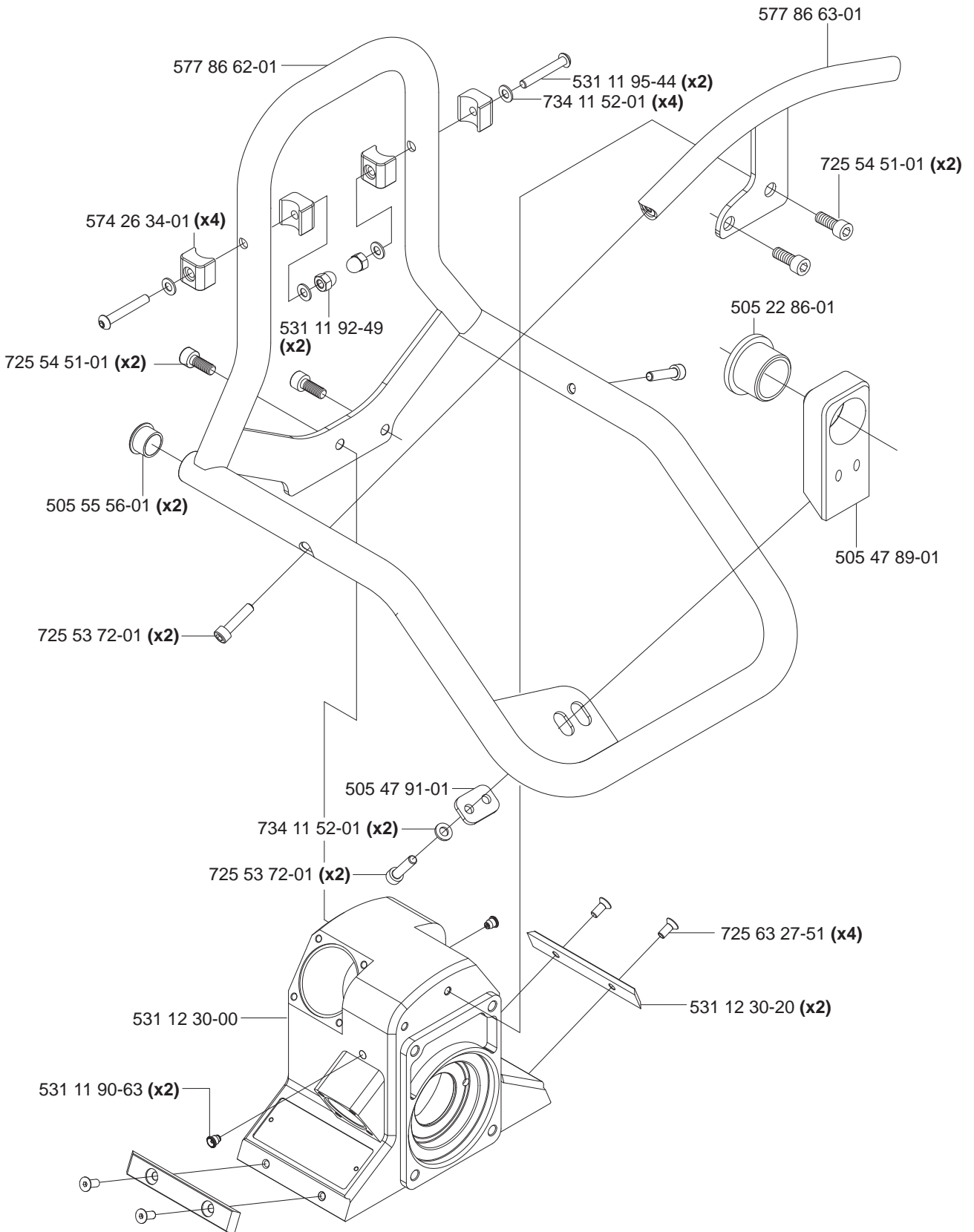
Peças sobresselente

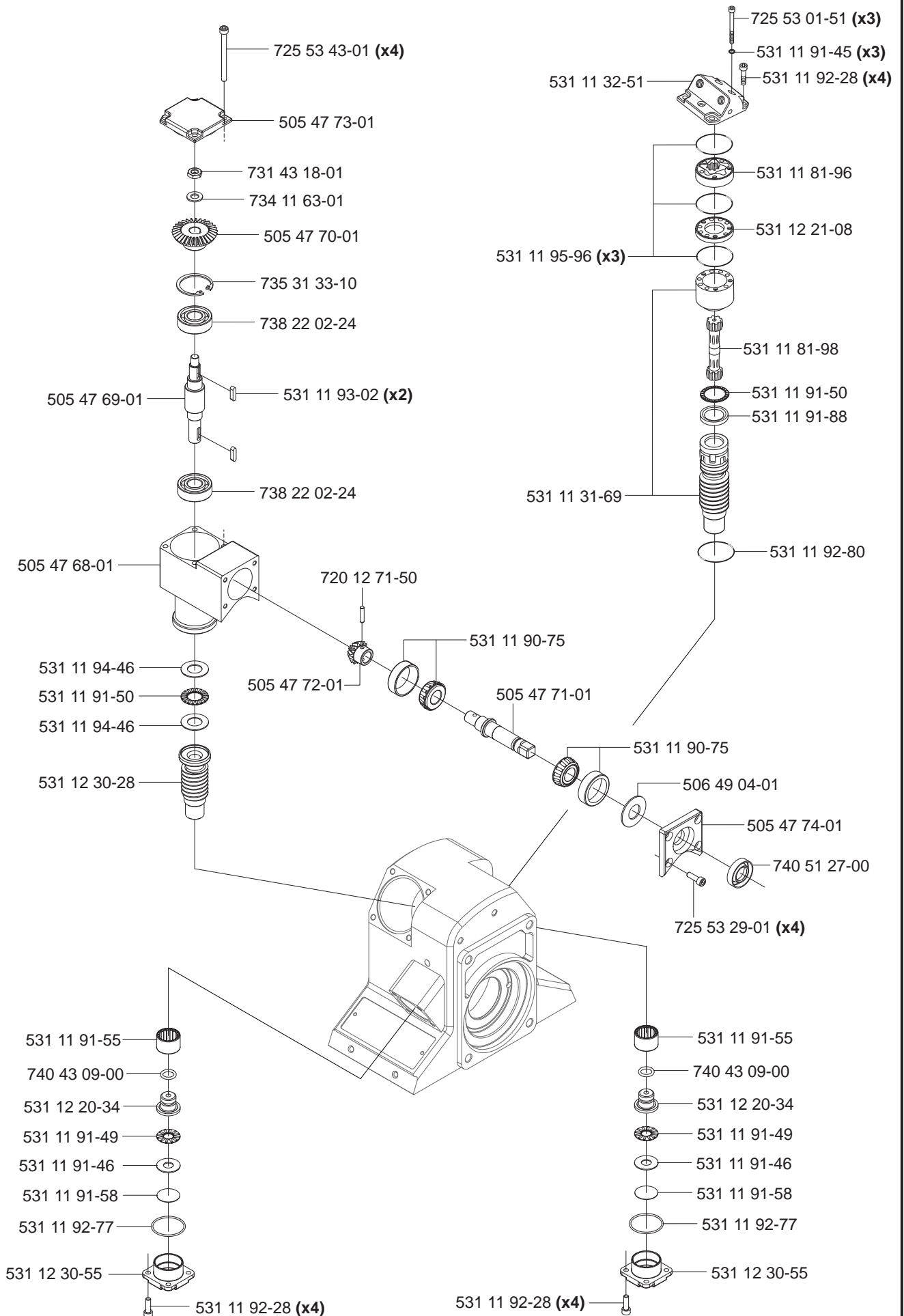
No.	Pos.	Description	No.	Pos.	Description
501 37 52-01	P	Tool kit	506 49 35-01	R	Crank
504 10 02-01	J	Scale, angle	506 74 84-01	Q	Adapter
504 90 83-26	H	Cylindrical pin	510 11 15-01	K	Handle holder
504 90 94-14	"L1-2M1-2 N2-3"	Screw	510 13 91-01	F	Screw M10x180 12.9
505 03 02-01	G	Handle	522 72 01-01	D	Gasket
505 03 91-01	G	Valve	522 82 77-02	P	Husqvarna oil 220 0,3 l
505 03 94-01	G	Valve	525 45 52-01	P	Allen key set
505 03 95-01	G	Handle	529 28 11-01	D	Lid
505 09 93-01	G	Cup	529 28 12-01	D	Cover plate
			529 28 14-01	D	Bearing cage
505 11 29-01	K	Mount	529 28 17-01	D	Cover
505 11 30-01	K	Excentric	529 28 20-02	D	Stub gear
505 11 31-01	K	Handle bracket	531 11 30-37	Q	Water hose 0,8 m with valve
505 11 33-01	K	Beam	531 11 30-45	I	Track section 1,2 m
505 11 34-01	K	Snap locking	531 11 30-46	I	Track section 2,0 m
505 11 35-01	K	Hook	531 11 30-47	I	Track section 2,2 m
505 11 38-01	K	Handle	531 11 30-78	F	Shaftseal set
505 11 39-01	K	Shaft seat	531 11 31-69	B	Worm gear + comm. Valve
505 11 40-01	K	Spring	531 11 32-00	J	Mounting bracket
505 12 59-01	H	Rocker lever	531 11 32-44	D	Pivoting arm compl.
505 12 60-01	H	Spring	531 11 32-46	I	Mounting bracket WS 400
505 12 82-01	R	Ring	531 11 32-47	I	Coupling link compl.
505 14 02-01	R	Spring pin	531 11 32-48	I	Track holder compl.
505 15 45-01	R	Adapter	531 11 32-51	B	Motor bracket complete
505 18 64-01	K	Parallell pin	531 11 32-52	B	Feeding motor
505 18 65-01	K	Screw	531 11 32-65	J	Measure rod compl.WS 400
505 18 66-01	K	Stop screw	531 11 32-68	Q	Cleaning brush with hose
505 22 63-01	R	Adapter	531 11 32-71	C	Clutch trackfeeding complete
505 22 64-01	R	Locking cotter	531 11 33-43	Q	Wear hose, water complete
505 22 69-03	H	Carriage WS 400	531 11 80-03	Q	Quick coupling, female 1800
505 22 86-01	A	Bushing	531 11 80-05	Q	Nipple 1812
505 25 52-01	H	Paralel pin 4x32	531 11 80-18	Q	Ball valve 3/8
505 28 38-01	F	Valve assy, Relief	531 11 81-13	D	Magnetic plug
505 28 40-01	F	Valve assy, Anticavitation	531 11 81-92	Q	Waterhose 1/4" 1 m WS 355
505 32 12-01	R	Adapter 90 3/4" ASSY	531 11 81-96	B	Tooth wheel set
505 32 13-01	R	Adapter 90 3/4"	531 11 81-98	B	Driving shaft
505 40 73-01	F	Hydraulic motor WS 460/463	531 11 81-99	G	Knob
505 47 51-01	G	Block plugged	531 11 82-18	EQ	Quick coupling, male 13411
505 47 53-01	F	Block plugged	531 11 82-19	Q	Quick coupling, female 1300
505 47 54-01	F	Screw	531 11 82-56	G	Sequence valve
505 47 55-01	F	Screw	531 11 83-06	GR	Quick coupling Female 3/4"
505 47 56-01	F	Oil pipe	531 11 83-07	FR	Quick coupling Male 3/4"
505 47 57-01	G	Connection	531 11 83-15	F	Nipple 3/4"
505 47 58-01	G	Base plate	531 11 83-18	Q	Waterhose black 1/2
505 47 62-01	G	Handle	531 11 83-25	Q	Hose nipple 1312
505 47 63-01	G	Lock washer	531 11 83-55	Q	Nipple 18210 with net
505 47 65-01	F	Block plugged	531 11 90-14	Q	Hose clamp 13-20
505 47 66-01	F	Oil pipe	531 11 90-15	Q	Hose clamp 15-24
505 47 68-01	B	Gear housing	531 11 90-39	C	Bearing washer AS 3552
505 47 69-01	B	Shaft	531 11 90-42	C	Bearing AXK 3552
505 47 70-01	B	Bevel gear 30	531 11 90-63	A	Grease nipple
505 47 71-01	B	Shaft	531 11 90-65	P	Wrench 18 mm
505 47 72-01	B	Bevel gear 15	531 11 90-75	B	Bearing 30202
505 47 73-01	B	Cover lid	531 11 90-80	N1,3	Lock
505 47 74-01	B	Cover plate	531 11 90-98	G	Spring LBR 45F
505 47 77-01	R	Tube	531 11 90-99	G	Ball 6 mm
505 47 78-01	R	Crank	531 11 91-45	B	Washer, copper
505 47 89-01	A	Bearing	531 11 91-46	B	Bearing washer
505 47 91-01	A	Plate	531 11 91-49	BG	Bearing AXK 1024
505 47 93-01	G	Handle	531 11 91-50	B	Bearing
505 47 94-01	G	Handle	531 11 91-52	I	Rubber plug GL16
505 55 52-01	G	Valve	531 11 91-55	B	Bearing NK 19/16
505 55 53-01	G	Valve	531 11 91-58	B	Shim 23.35x1
505 55 54-01	G	Spring	531 11 91-81	K	Washer 10.5x22
505 55 55-01	G	Handle red	531 11 91-83	DIJ	Washer 13x24x2
505 55 56-01	A	Plastic plug	531 11 91-85	D	Sealing ring 1/2"
505 55 57-01	G	Handle	531 11 91-88	B	Radial seal
505 56 87-01	Q	Water connection	531 11 92-02	E	Screw M6S 12x25
506 06 85-01	D	Screw	531 11 92-03	IJ	Screw M6S 12x30
506 49 04-01	B	Cup spring	531 11 92-28	BD	Screw MC6S 5x14

No.	Pos.	Description	No.	Pos.	Description
531 11 92-35	I	Screw MC6S 8x14	531 12 22-51	Q	Water hose
531 11 92-49	A	Nut M6 cap	531 12 22-80	C	Friction plate pivoting arm
531 11 92-62	G	O-ring 18,3x2,4	531 12 23-38	K	Spacer
531 11 92-70	F	O-ring 24,2x3	531 12 23-57	J	Friction plate
531 11 92-74	D	O-ring 29,2x3	531 12 23-58	K	Guide wheel shaft, lower
531 11 92-77	B	O-ring 31,4x1,6	531 12 24-54	J	Mounting bracket
531 11 92-80	B	O-ring 43x1,6	531 12 24-55	J	Shaft
531 11 92-93	F	O-ring 80x1,6	531 12 24-56	J	Link to spring-holder
531 11 93-02	B	Key 4x4x16	531 12 24-57	J	Track-holder
531 11 93-19	F	Shaft seal SCN 18x30x6	531 12 24-58	J	Clamping-plate
531 11 93-39	G	Plug VSTI M14X1,5	531 12 24-59	J	Clamping-plate, nut
531 11 93-40	F	Plug VSTI R1/2	531 12 24-60	J	Brake plate
531 11 93-50	I	Screw MF6S 4x12 12.9	531 12 30-00	A	House
531 11 93-60	D	O-ring 133,0x1,78	531 12 30-09	H	Handle
531 11 93-64	DJ	Spring 2547	531 12 30-10	H	Bar
531 11 93-65	F	O-ring	531 12 30-11	H	Excentric locking shaft
531 11 93-75	C	X-Ring 114,0x1,78	531 12 30-12	H	Locking clamp
531 11 93-76	C	O-Ring 94,97x1,78	531 12 30-13	H	Sprint
531 11 93-89	H	Screw MLC6S 5x10	531 12 30-15	H	Feeding shaft
531 11 94-20	J	O-ring 40x2	531 12 30-16	H	Shaft holder
531 11 94-26	H	Screw K6S 6x16 10.9 fzb	531 12 30-17	H	Transfer gear
531 11 94-39	C	Bearing HK 3520	531 12 30-20	A	Wear plate
531 11 94-40	C	Bearing washer AS 5070	531 12 30-21	C	Feeding gear, arm
531 11 94-41	D	Bearing 16005	531 12 30-22	C	Feeding gear, track
531 11 94-42	H	Bearing 6001-2RSH	531 12 30-23	C	Longitudinal feeding gear
531 11 94-43	C	Bearing 16007	531 12 30-25	C	Cup spring
531 11 94-45	D	Bearing 61816	531 12 30-26	C	Friction plate
531 11 94-46	B	Bearing washer AS 1528	531 12 30-28	B	Feeding screw
531 11 94-51	D	O-ring 74,5x3	531 12 30-30	D	Input gear
531 11 94-53	H	Levell	531 12 30-32	D	Medial gear
531 11 94-54	H	Spring	531 12 30-33	E	Flange, outer
531 11 94-56	I	Turning knob	531 12 30-35	D	Blade shaft
531 11 94-99	D	O-ring 69,5x3	531 12 30-40	C	Clutch plate
531 11 95-00	C	O-ring 61x1,6	531 12 30-41	D	Mounting plate
531 11 95-17	E	Plug for M8	531 12 30-43	D	Medial shaft
531 11 95-24	N1,3	Screw	531 12 30-44	D	Medial spacer
531 11 95-25	FG	Sealing ring 3/4	531 12 30-48	E	60mm bushing
531 11 95-31	P	Water level to toolkit	531 12 30-51	E	Plate for hub
531 11 95-32	P	Ratchet wrench to toolkit	531 12 30-55	B	Cover plate
531 11 95-33	P	Wrench 16mm to toolkit	531 12 30-57	E	Water connection
531 11 95-34	P	Socket 18mm to toolkit	531 12 30-63	"L1-2M1-2 N1,3"	Rail for bladeguard
531 11 95-41	P	Socket 19mm to toolkit	531 12 30-65	K	Roller guide
531 11 95-44	A	Screw K6S 6x50	531 12 30-66	K	Cover
531 11 95-46	N1,3	Pin screw	531 12 30-70	K	Handle
531 11 95-53	Q	Cleaning brush	531 12 30-71	K	Excentric shaft
531 11 95-86	J	Screw MRX M3x5	531 12 30-75	I	Track holder
531 11 95-88	H	Seeger circlip SGA 11	531 12 30-76	I	Clamping plate
531 11 95-89	K	Screw K6S 6x20 10.9 fzb	531 12 30-95	E	Water hose
531 11 95-93	E	Plug for M10	531 12 30-96	I	Coupling link
531 11 95-96	B	O-ring 41x1	531 12 30-97	I	Clamping washer
531 11 96-01	D	Shaft seal 25x35x7	531 12 31-69	N1,3	Clamp
531 12 13-44	F	Support washer	541 40 49-09	"L1-2M1-2 N1,3"	Handle
531 12 14-02	G	Valve lever hub	574 26 34-01	A	Spacing sleeve
531 12 20-27	I	Gear rack 2,0m	574 43 13-01	E	Hub
531 12 20-28	I	Gear rack 1,2m	574 43 55-01	E	Water block
531 12 20-34	B	Thrust journal	574 44 39-01	D	Ring
531 12 20-43	I	Guide track section 2,0m	574 45 21-01	D	Bearing 16011
531 12 20-44	I	Guide track section 1,2m	574 45 22-01	D	Radial seal
531 12 20-49	D	Sealing plug	574 45 23-01	E	Radial seal 50x62x5
531 12 20-70	I	Safety stop	574 45 24-01	D	O-ring 45x1,6
531 12 20-85	G	Valve cover	574 45 25-01	CE	O-ring 75x2
531 12 20-87	G	Shift valve	574 45 26-01	D	O-ring 91,7x1,78
531 12 21-08	B	Cover	574 45 27-01	E	Bearing
531 12 21-18	I	Clamping washer	574 45 29-01	D	O-ring 110,7x1,78
531 12 21-24	I	Gear rack 2,2 m	574 61 87-01	C	Arm shaft
531 12 21-25	I	Guide track section 2,2 m	574 61 97-01	C	Key 6x6x14
531 12 21-68	M1N2	Block	574 82 95-01	E	Blade flange compl.
531 12 21-69	M1N2	Block	574 82 95-02	E	Blade flange 60mm compl.
531 12 21-82	K	Guide wheel shaft, upper			
531 12 21-83	K	Wheel			

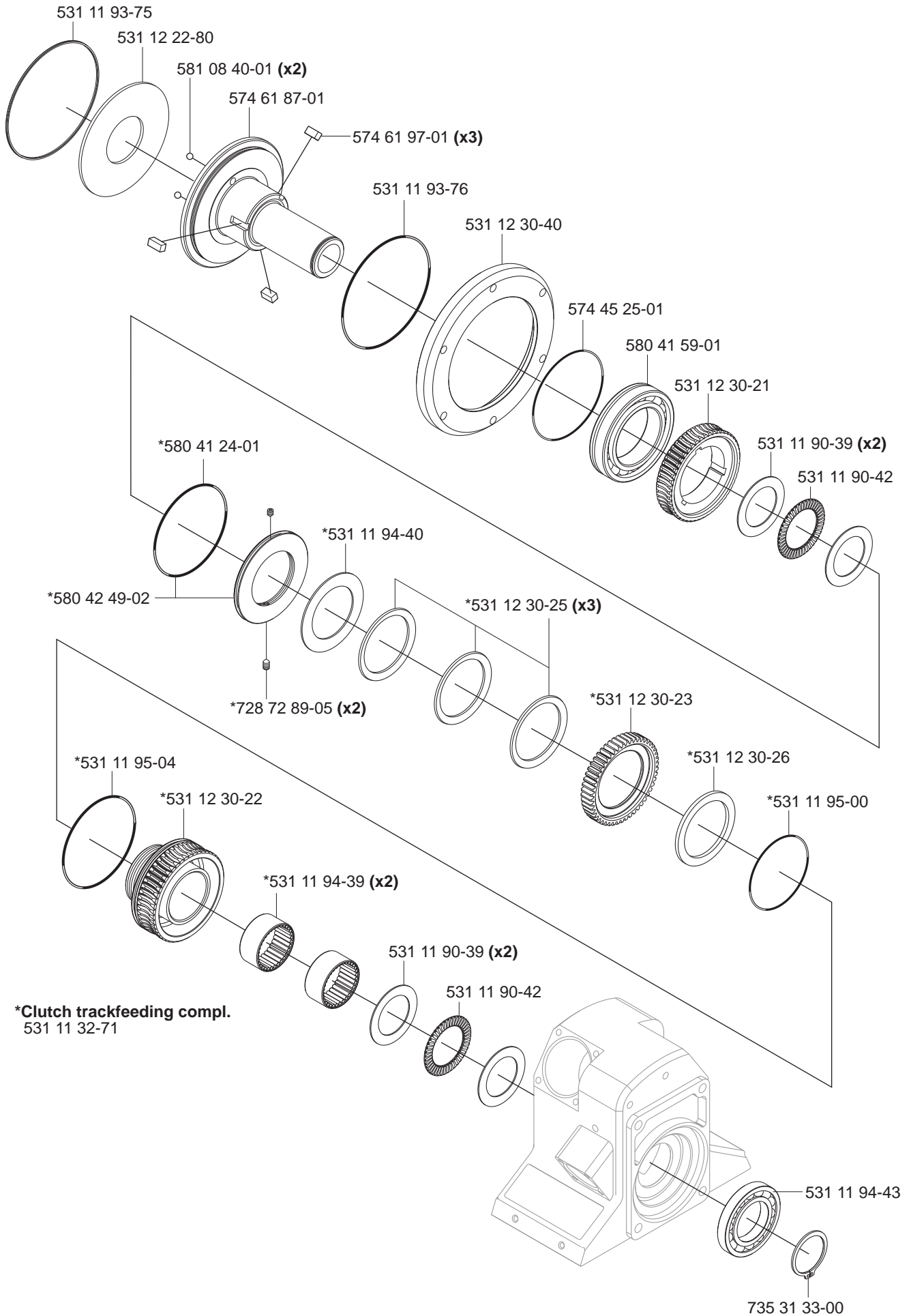
No.	Pos.	Description	No.	Pos.	Description
574 82 95-03	E	Blade flange 130 compl.	578 84 85-01	H	Block
575 25 81-01	D	Pivoting arm	578 98 77-01	"L1-2M1-2	"N1-3"
576 65 89-01	J	Support screw			Rivet
577 41 35-01	N3	Gable section flush Right cpl.	579 43 67-01	"L1-2M1-2	"N1,3"
577 44 55-01	N1,3	Guide rail			Guide
577 48 48-01	"L1-2M1-2		579 52 07-01	N1,3	Hook
	N2-3"	Hitch	579 53 17-01	L1M1N1	Cone
577 48 49-01	"L1-2M1-2		579 56 58-01	"L1-2M1-2	"N1,3"
	N2-3"	Hitch			Screw MF6S 6x16 Bluepatch
577 48 53-01	L1M1N1	Turning knob	579 56 59-01	"L1-2M1-2	"N1,3"
					Screw MC6S 6x10 Bluepatch
577 48 56-01	L1M1N1	Washer	579 56 60-01	"L1-2M1-2	"N2-3"
577 53 16-01	E	Stop washer			Screw MK6S 6x10 Bluepatch
577 53 22-01	E	Flange, inner	579 56 61-01	"L1-2M1-2	"N1,3"
577 53 28-01	E	Flange, inner 130			Screw MK6S 8x12 Bluepatch
577 53 29-01	E	Screw MC6S 2,5x5	579 56 62-01	N1,3	Screw
577 61 29-01	L1M1N2	Link	580 26 20-01	L1M1N1	Screw
577 61 30-01	"L1-2M1-2		580 26 21-01	L1M1N1	Nut
	N2-3"	Link	580 26 22-01	L1M1N1	Hook
577 61 31-01	"L1-2M1-2				
	N2-3"	Link			
577 61 36-01	L1	End cover	580 32 33-01	"L1-2M1-2	"N1,3"
577 61 37-01	M1	End cover			Guide
577 61 38-01	N2	End cover	580 32 73-01	L1M1N1	Screw MF6S 4x10 Bluepatch
577 61 40-01	L1M1N1	Spray guard	580 32 74-01	L1M1N1	Pin CPK 2x10 DIN6325
577 65 97-01	L1	Bladeguard 800	580 39 62-01	H	Locking pin
577 65 98-01	L1	Centre section 800 complete	580 41 24-01	C	O-ring 71x4,5
577 66 00-01	L1	Gable section 800 complete	580 41 59-01	C	Bearing
577 66 01-01	M1	Bladeguard 1000	580 42 49-02	C	Nut incl. O-ring
577 66 02-01	M1	Centre section complete	580 43 28-01	H	Bearing
577 66 03-01	M1	Gable section complete	580 44 81-01	H	Guide wheel concentric compl.
577 66 04-01	N1	Bladeguard 1200	580 44 82-01	H	Guide wheel excentric compl.
577 66 05-01	N1	Centre section 1200 compl.	580 44 83-01	H	Sleeve
577 66 07-01	N1	Gable section right 1200 cpl	580 64 54-01	L1M1N1	Knob assy
577 66 09-01	N1	Gable section left 1200 cpl	580 67 76-01	K	Guide wheel fixed
577 69 92-01	"L1-2M1-2		580 67 76-02	K	Guide wheel adjustable
	N1,3"	Rail Fixture	580 68 12-01	L1	Centre section 800
577 69 93-01	"L1-2M1-2		580 68 12-02	M1M2	Centre section 1000
	N1,3"	Rail Fixture	580 68 12-03	N1	Centre section 1200
577 71 08-01	"L1-2M1-2		580 68 13-01	L1	Gable section 800
	N2-3"	Guide bar	580 68 13-02	M1	Gable section 1000
577 74 23-01	L2	Bladeguard flush 800	580 68 13-03	N1	Gable section right 1200
577 74 24-01	M2	Bladeguard flush 1000	580 68 13-04	N1	Gable section left 1200
577 74 25-01	N3	Bladeguard flush 1200 compl.	580 68 18-01	L2M2N3	Knob
577 74 27-01	L2	Centre section 800 flush cpl.	580 68 76-01	N1,3	Bracket
577 74 28-01	L2	Gable section flush Left cpl.	580 68 76-02	N1,3	Angle bracket
577 74 29-01	L2	Gable section flush Right cpl.	580 90 22-01	N1,3	Bar
577 74 30-01	M2	Gable section flush Left cpl.	580 95 79-01	L1M3N2	Gasket
577 74 32-01	M2	Gable section flush Right cpl.	580 96 45-01	L1M1N1	V-ring
577 74 33-01	N3	Centre sect. 1200 flush cpl.	580 96 46-01	L1M1N1	Plug
577 74 34-01	N3	Gable section flush Left cpl.	580 97 65-01	N1,3	Hook
577 74 40-01	L2	End Cover	581 00 61-01	N1,3	Support bar assy
577 74 41-01	L2	End Cover	581 08 40-01	C	Ball
577 74 42-01	M2	End Cover	581 28 51-01	"L1-2M1-2	"N2-3"
577 74 43-01	M2	End Cover			Rivet
577 74 44-01	N3	End cover	720 12 65-50	G	Cylindrical pin 4x6
577 74 45-01	N3	End cover	720 12 71-50	BH	Cylindrical pin 4x18
577 74 48-01	L2M2N3	Holder	720 13 08-50	H	Cylindrical pin 5x16
577 74 50-01	L2M2N3	U-list centre	720 13 51-50	D	Cylindrical pin 6x16
577 74 51-03	L2	U-list gable left 800	720 13 52-51	I	Cylindrical pin 6x18
577 74 51-04	M2	U-list gable left 1000	720 13 53-50	J	Cylindrical pin 6x20
577 74 51-05	N3	U-list gable left 1200	720 13 63-51	G	Cylindrical pin 6x45
577 74 52-03	L2	U-list gable right 800	720 13 65-51	J	Cylindrical pin 6x50
577 74 52-04	M2	U-list gable right 1000	720 13 99-51	G	Cylindrical pin 8x16
577 74 52-05	N3	U-list gable right 1200	721 42 58-00	G	Spring pin 4x25
577 86 62-01	A	Handle	723 53 66-51	E	Screw MFS 6x12
577 86 63-01	A	Crossbar	725 25 43-51	I	Screw M6S 12x55
577 90 30-01	M2	Centre section 1000 flush cpl.	725 25 44-91	D	Screw M6S 12x60
578 84 82-01	H	Plate	725 25 56-51	J	Screw M6S 12x120
578 84 83-01	H	Holder	725 52 89-01	D	Screw MC6S 4x10
578 84 84-01	H	Holder	725 53 01-51	B	Screw MC6S 4x35 12.9

No.	Pos.	Description	No.	Pos.	Description
725 53 29-01	B	Screw MC6S M5x16			
725 53 41-01	K	Screw MC6S 5x50			
725 53 43-01	B	Screw MC6S 5x60			
725 53 62-01	K	Screw MC6S M6x8			
725 53 64-01	I	Screw MC6S M6x10			
725 53 68-01	HK	Screw MC6S 6x16			
725 53 70-01	H	Screw MC6S 6x20			
725 53 72-01	A	Screw MC6S 6x25			
725 53 76-01	F	Screw MC6S 6x35			
725 53 78-01	F	Screw MC6S 6x40			
725 54 51-01	A	Screw MC6S 8x20			
725 54 53-01	FH	Screw MC6S 8x25			
725 54 64-01	D	Screw MC6S 8x65			
725 54 93-01	H	Screw MC6S 10x25			
725 62 87-01	D	Screw MF6S 4x8			
725 63 27-51	AEGK	Screw MF6S 5x12 10.9			
725 63 28-51	N1,3	Screw MF6S 5x14 10.9			
725 63 30-51	K	Screw MF6S 5x16 10.9			
725 63 66-51	DE	Screw MF6S 6x12 10.9			
725 63 68-51	DK	Screw MF6S 6x16 10.9			
725 63 70-51	EKM1N2	Screw MF6S 6x20 10.9			
725 64 47-51	E	Screw MF6S 8x12 10.9 fzb			
725 64 89-51	E	Screw MF6S 10x16 10.9			
728 72 89-05	C	Stop screw S6SS 4x10			
728 83 64-05	H	Stop screw SK6SS 6x10			
731 43 18-01	B	Nut M8 low			
731 43 20-01	KN1,3	Nut M10 low			
732 25 14-01	K	Nut M5 Nylock			
732 25 16-01	M1N2	Nut			
732 25 22-71	DJ	Nut M12 Nylock 10.9			
734 11 35-71	H	Washer 4.3x8			
734 11 52-01	AM1N2	Washer 6.4x12			
734 11 63-01	BDFI	Washer 8.4x16			
735 31 28-10	H	Seeger circlip			
735 31 30-10	F	Seeger circlip			
735 31 33-00	C	Seeger circlip SGA 35			
735 31 33-10	BK	Seeger circlip SGH 35			
738 21 05-00	D	Bearing 6005			
738 22 02-24	B	Bearing 6202-2RS1 C2			
740 38 18-01	F	Sealing ring 1/8			
740 38 27-01	EQ	Sealing ring 1/4			
740 38 34-01	Q	Sealing ring 3/8			
740 42 07-00	EF	O-ring 9,1x1,6			
740 42 14-00	H	O-ring 16,1x1,6			
740 43 07-00	FGI	O-ring 9,3x2,4			
740 43 09-00	B	O-ring 11,3x2,4			
740 43 11-00	D	O-ring 13,3x2,4			
740 44 04-00	F	O-ring 19,2x3			
740 44 05-00	EG	O-ring 22,2x3			
740 44 07-00	G	O-ring 26,2x3			
740 51 27-00	B	Shaft seal BA 15x30x7			





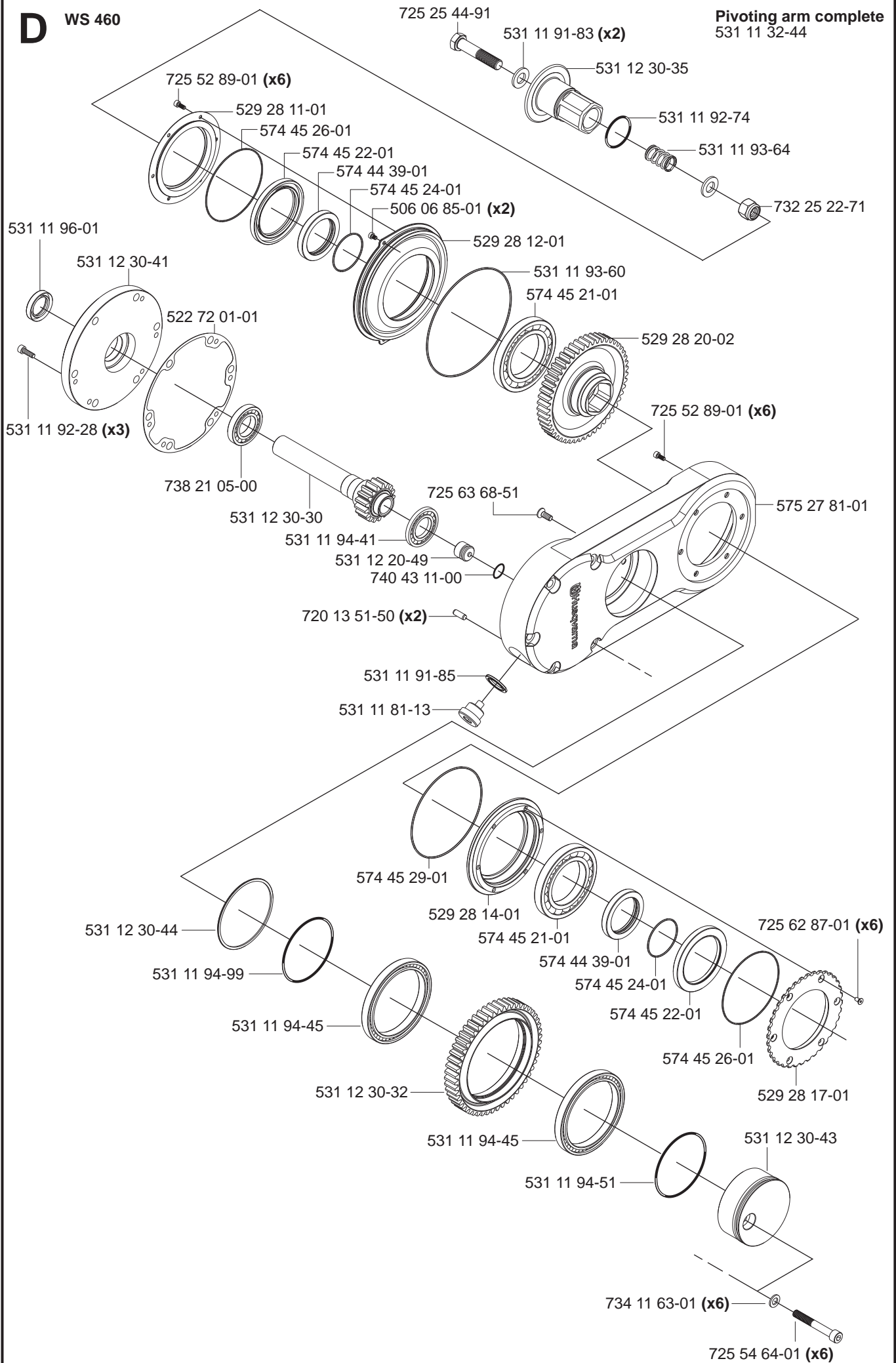
C WS 460



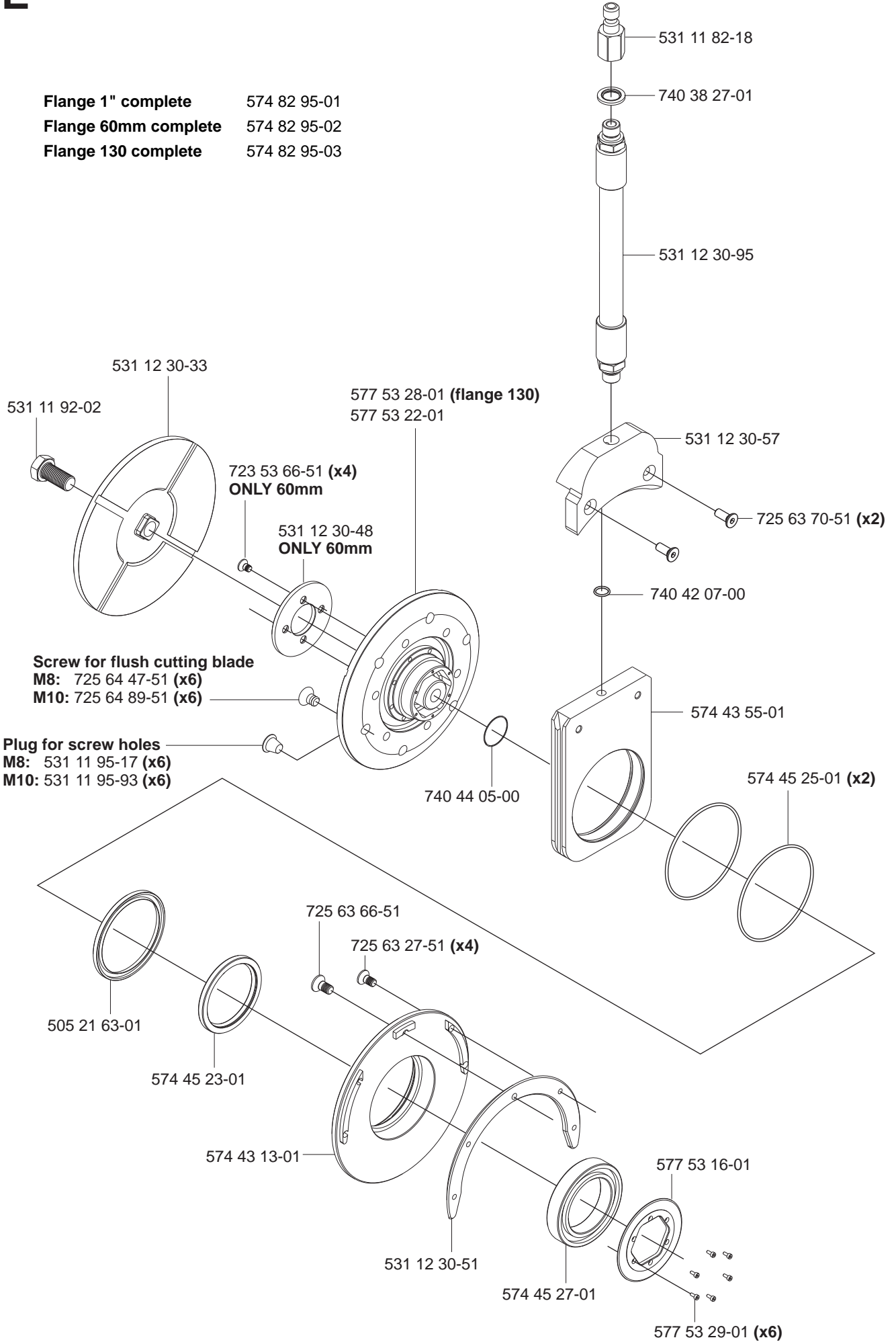
D

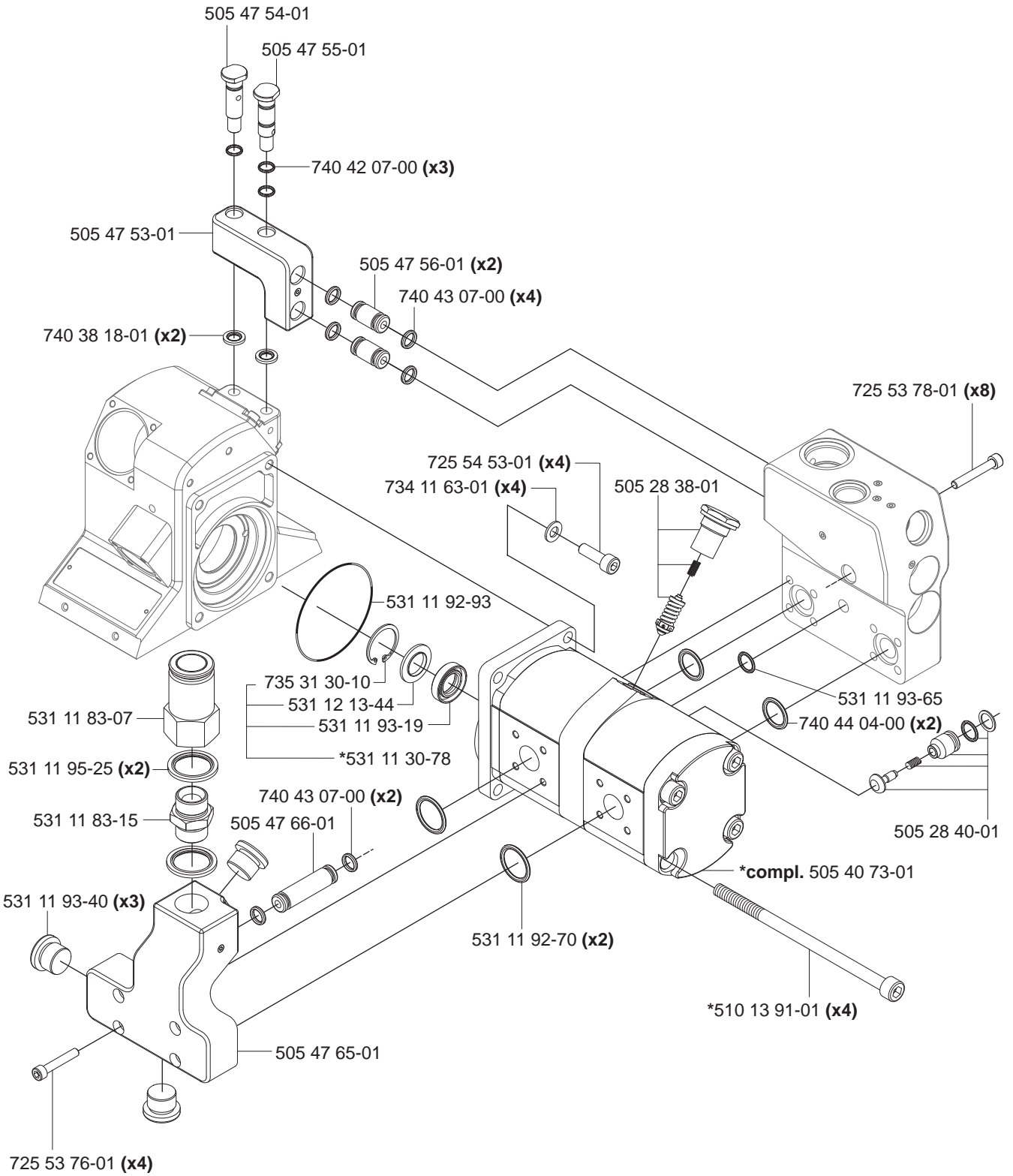
WS 460

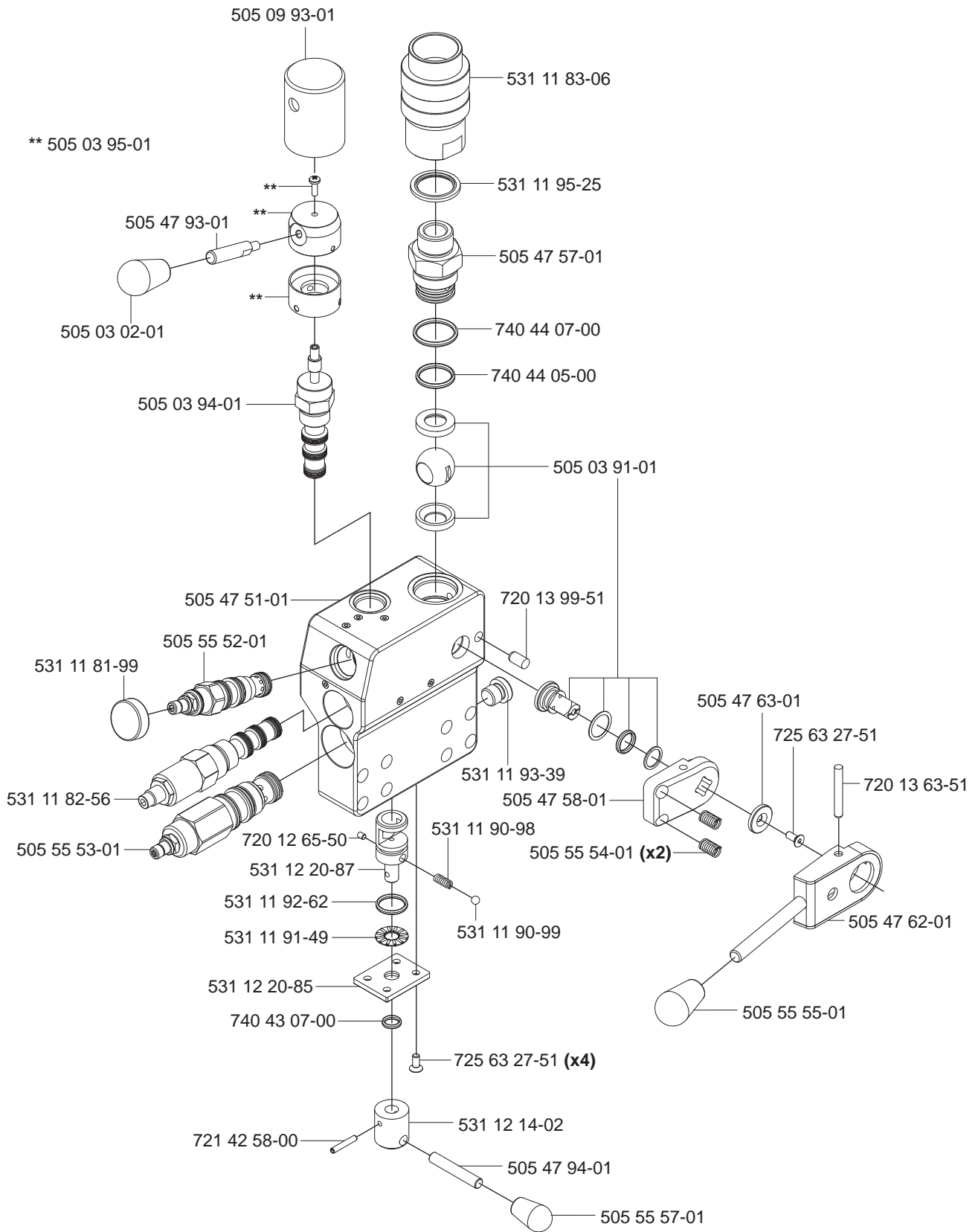
Pivoting arm complete
531 11 32-44

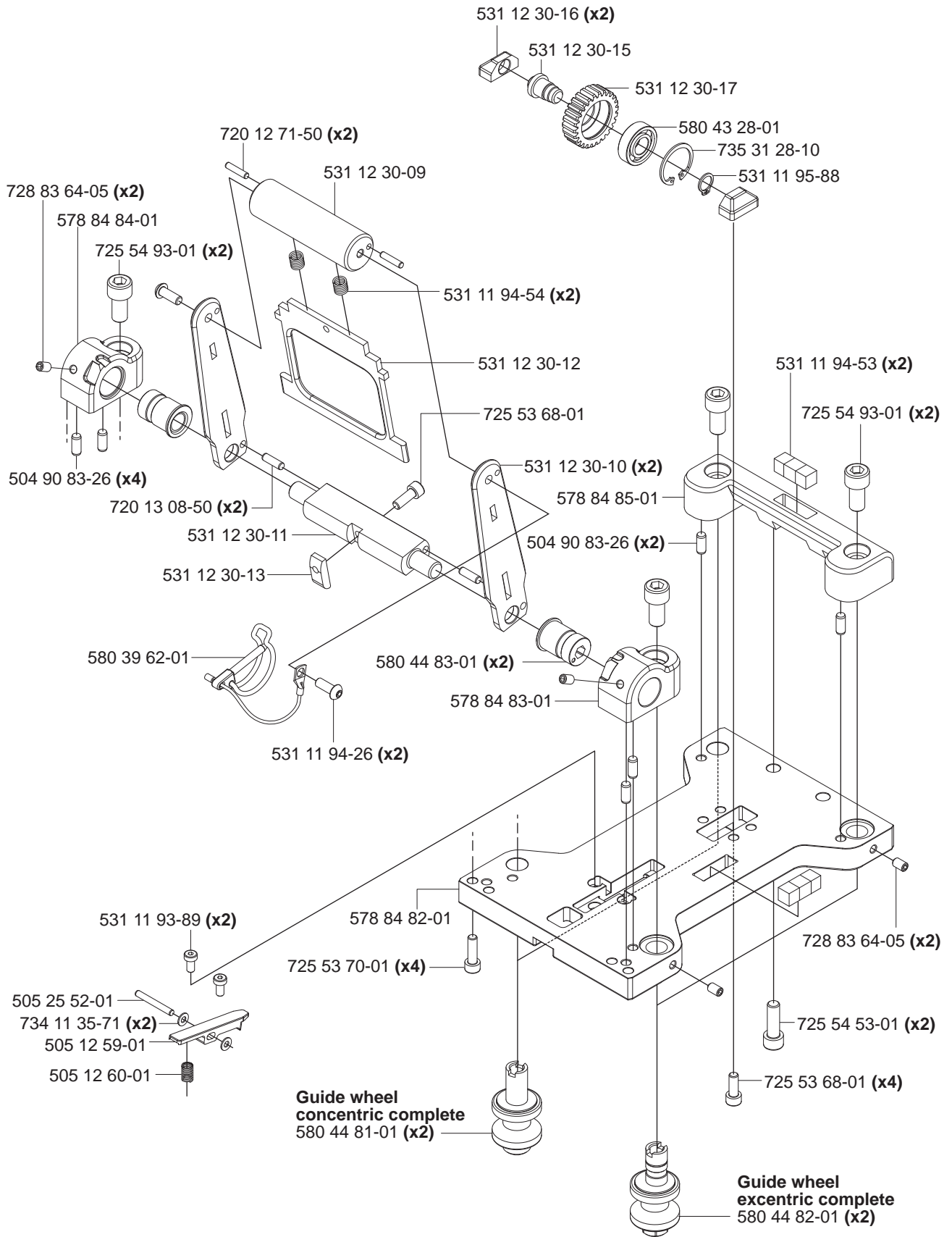


- Flange 1" complete** 574 82 95-01
- Flange 60mm complete** 574 82 95-02
- Flange 130 complete** 574 82 95-03









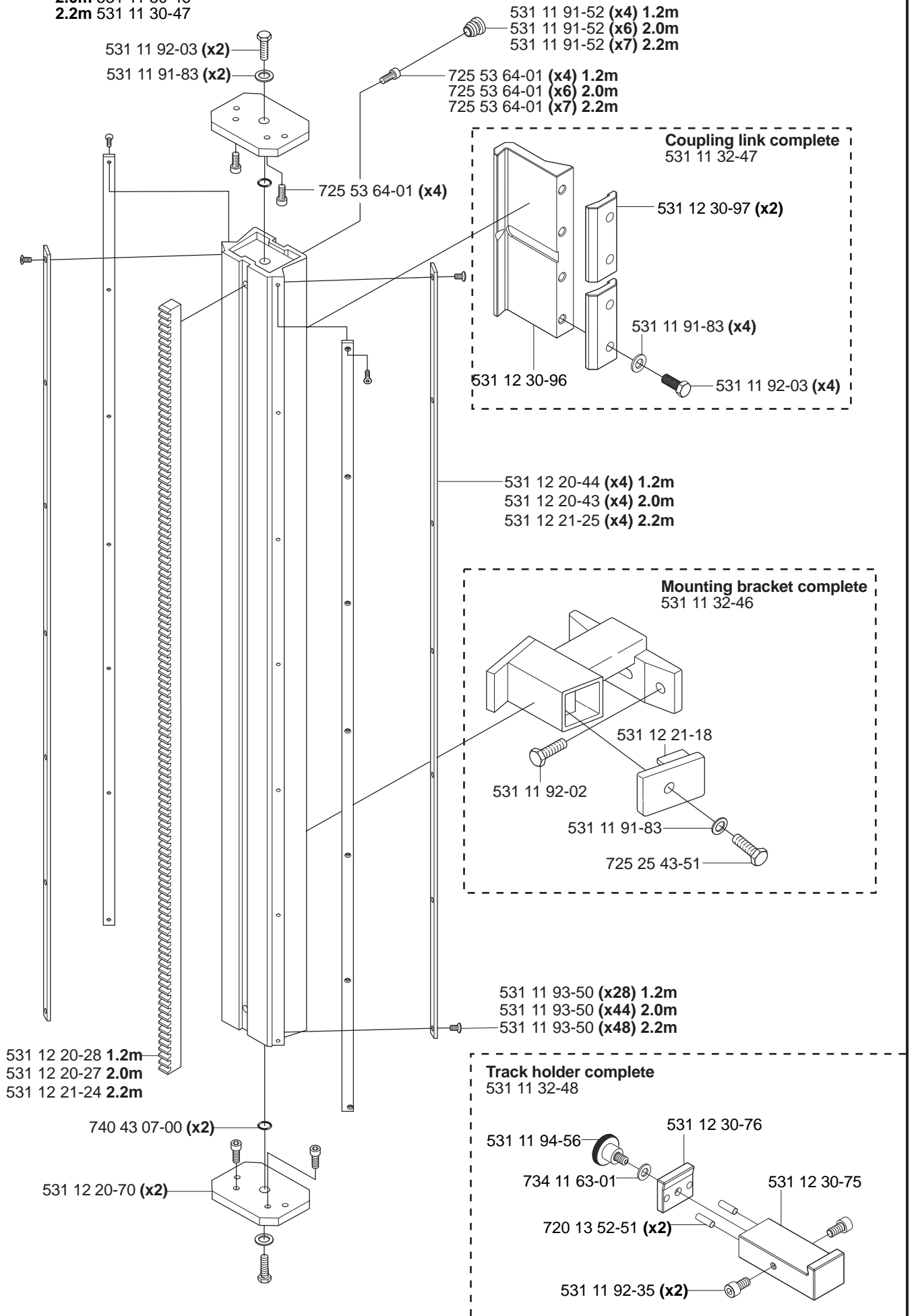
WS 460

Track complete

1.2m 531 11 30-45

2.0m 531 11 30-46

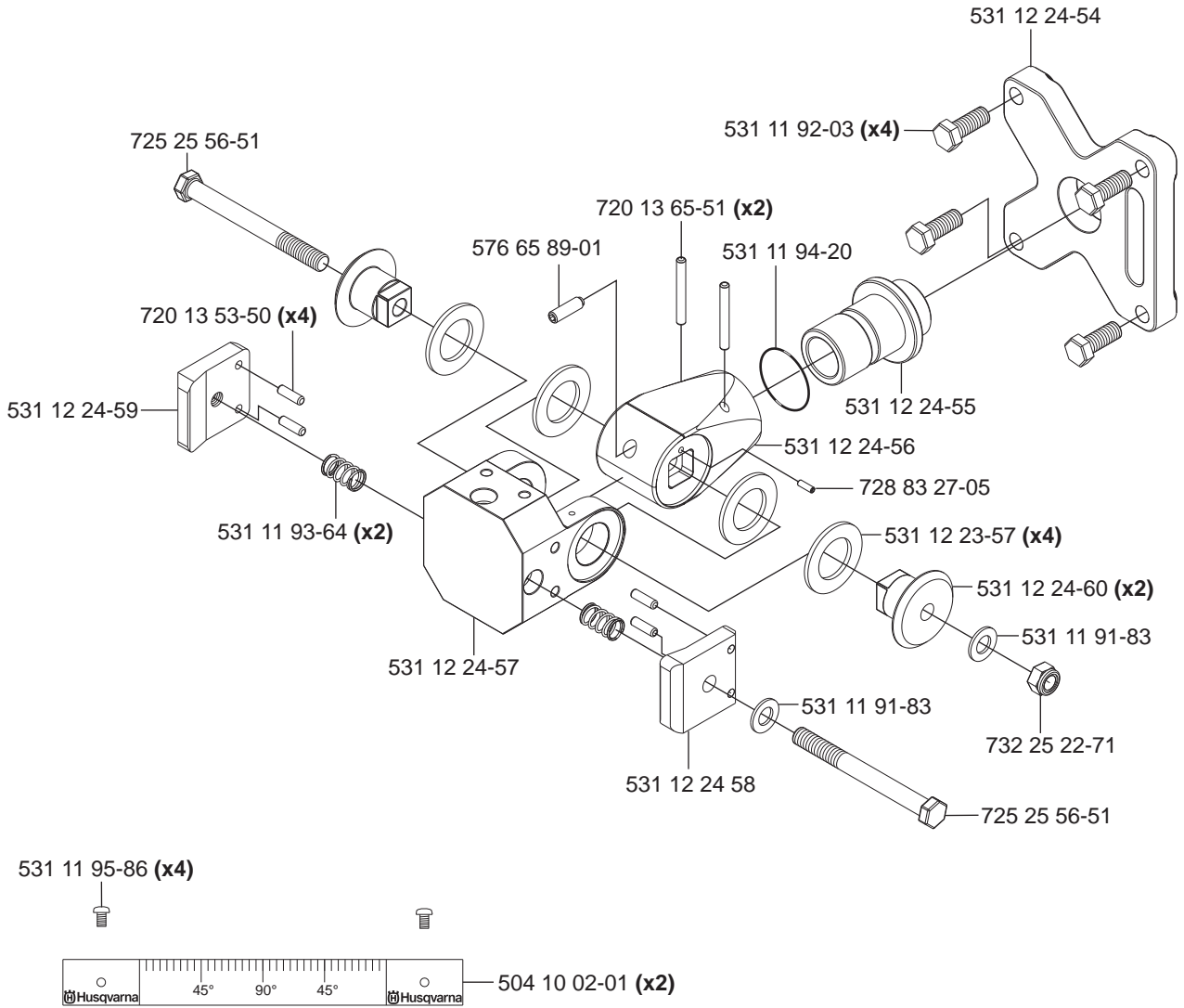
2.2m 531 11 30-47



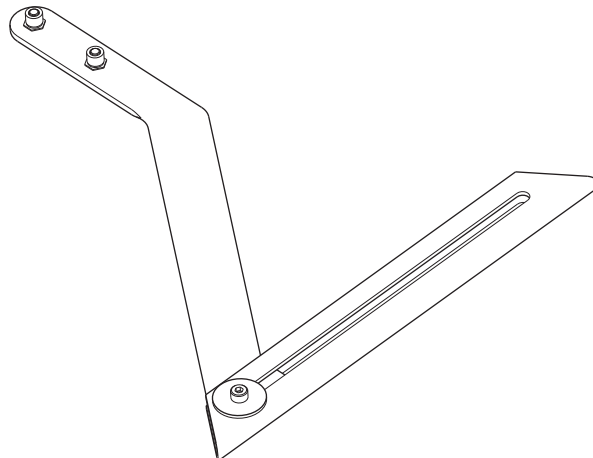
J**WS 460**

**Tillbehör
Accessories
Zubehöre
Accessoires
Accesorios**

**Mounting bracket Universal
compl. 531 11 32-00**



Measure rod complete 531 11 32-65

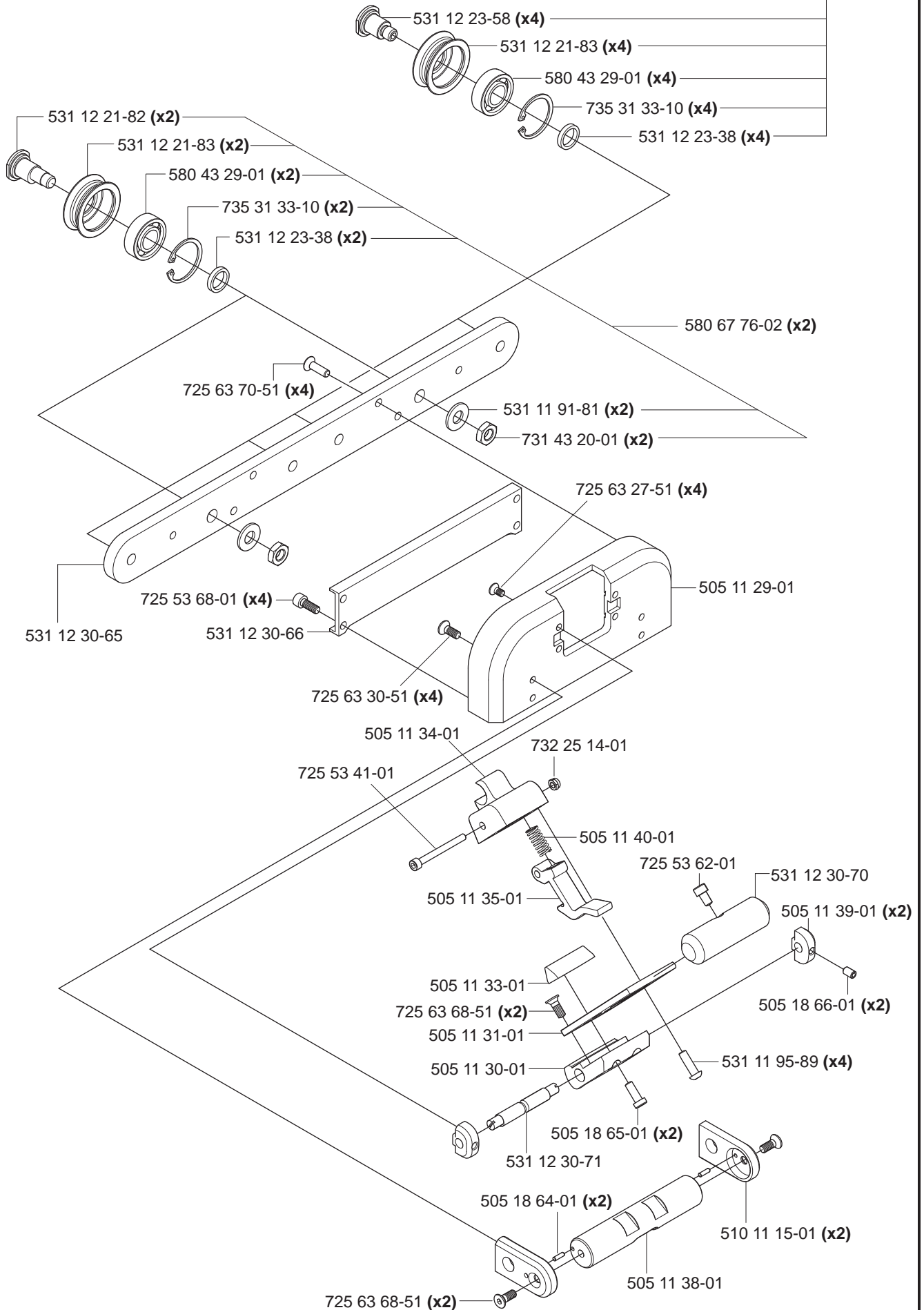


K

WS 460

Blade guard guide Complete 580 67 77-01

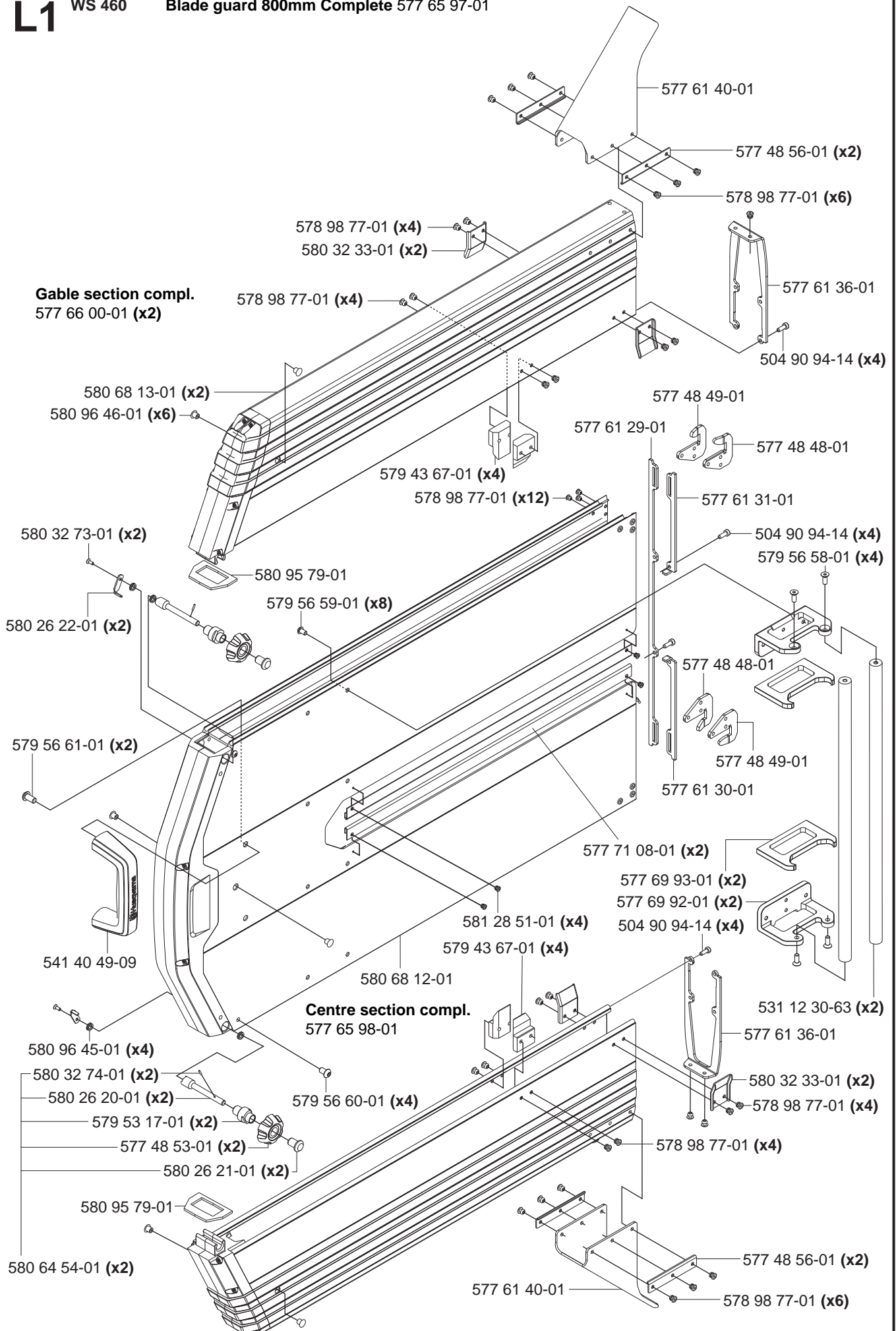
580 67 76-01 (x4)



L1

WS 460

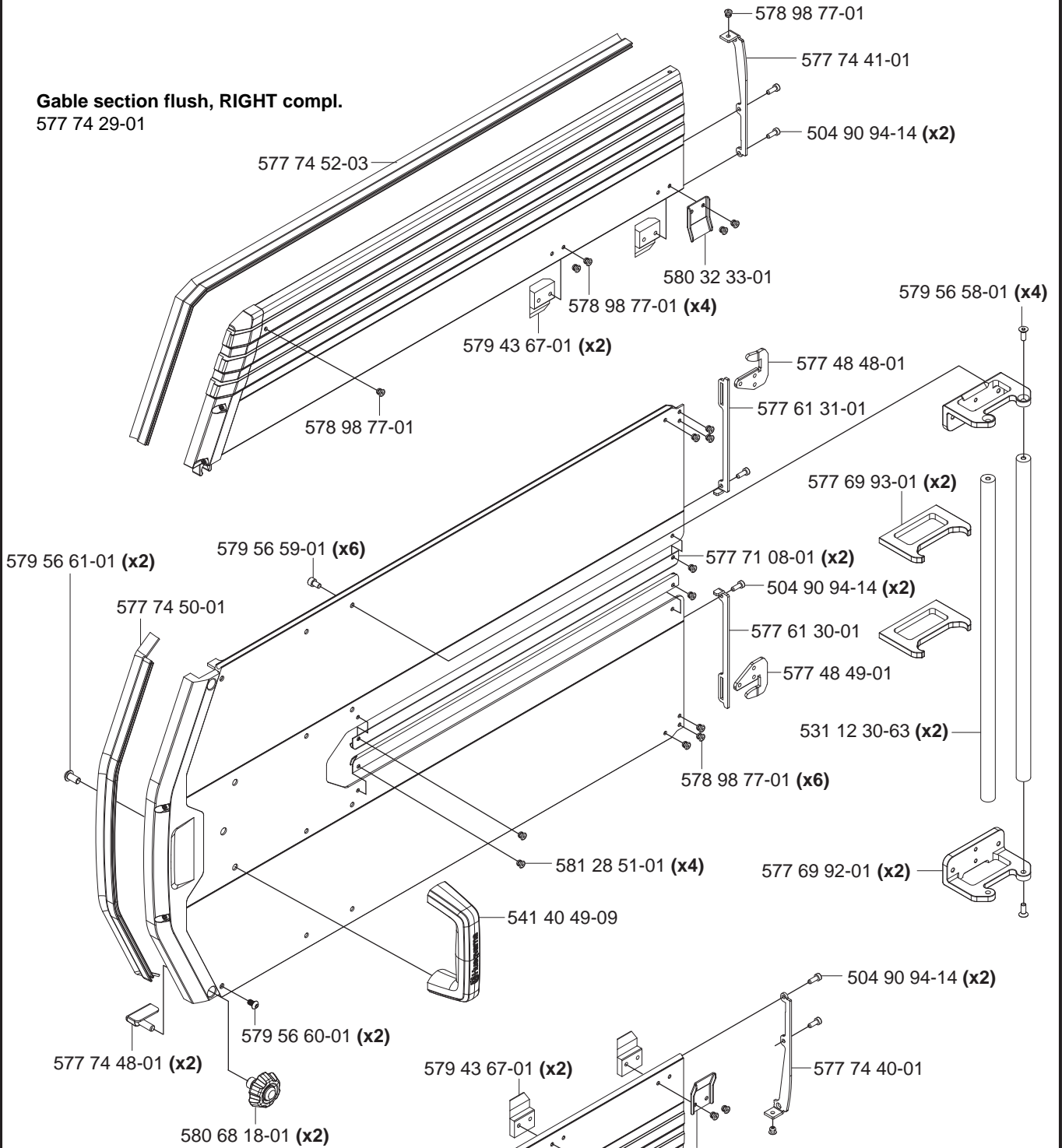
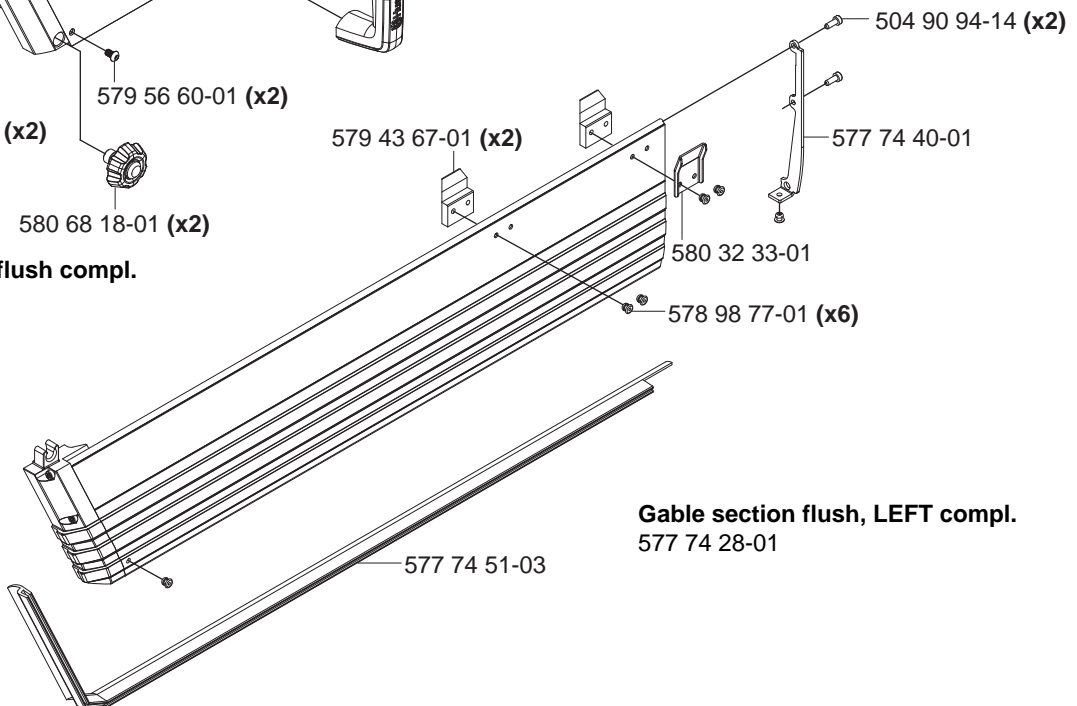
Blade guard 800mm Complete 577 65 97-01



L2

WS 460

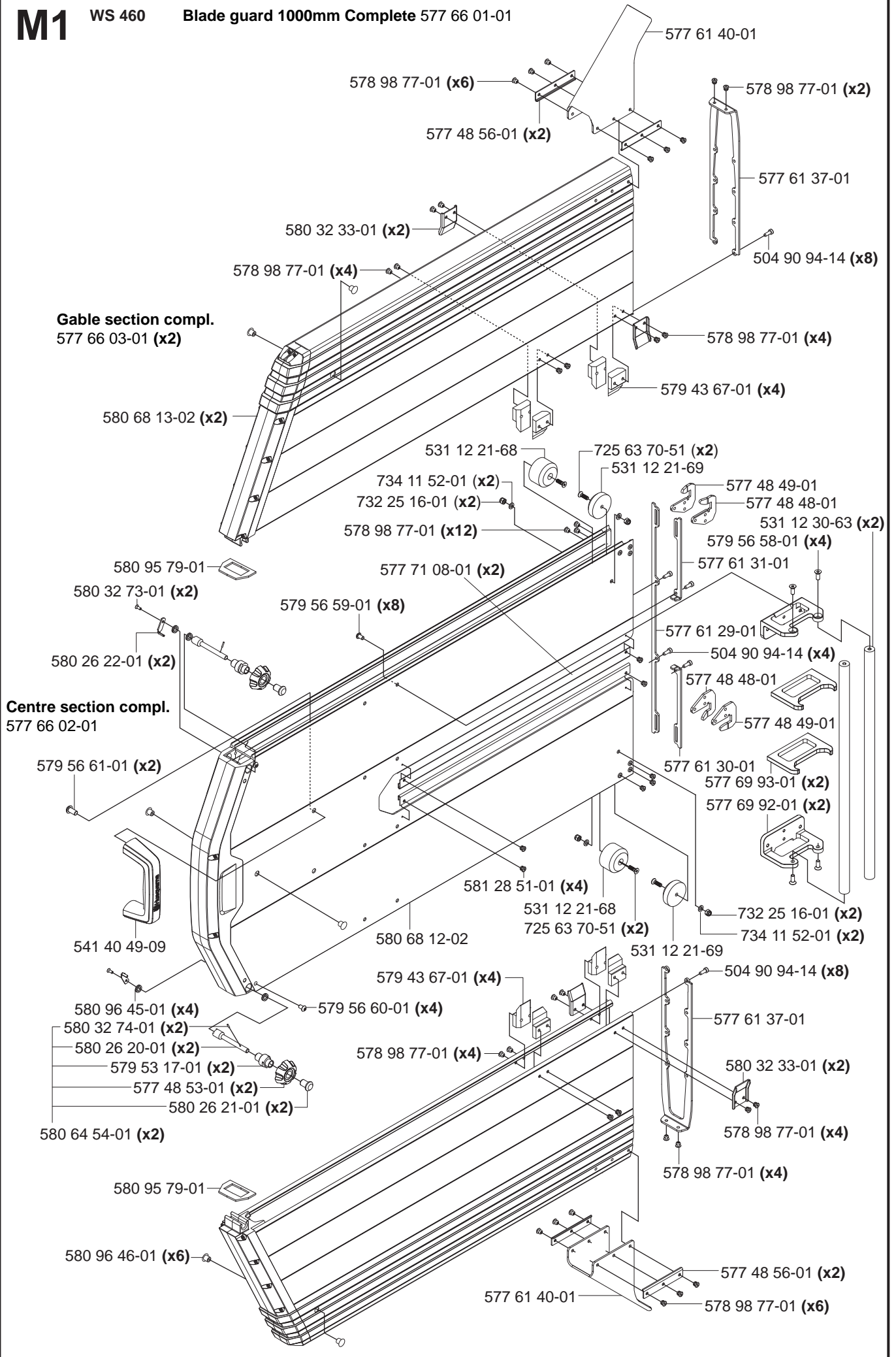
Flush blade guard 800mm complete 577 74 23-01

Gable section flush, RIGHT compl.
577 74 29-01**Centre section flush compl.**
577 74 27-01**Gable section flush, LEFT compl.**
577 74 28-01

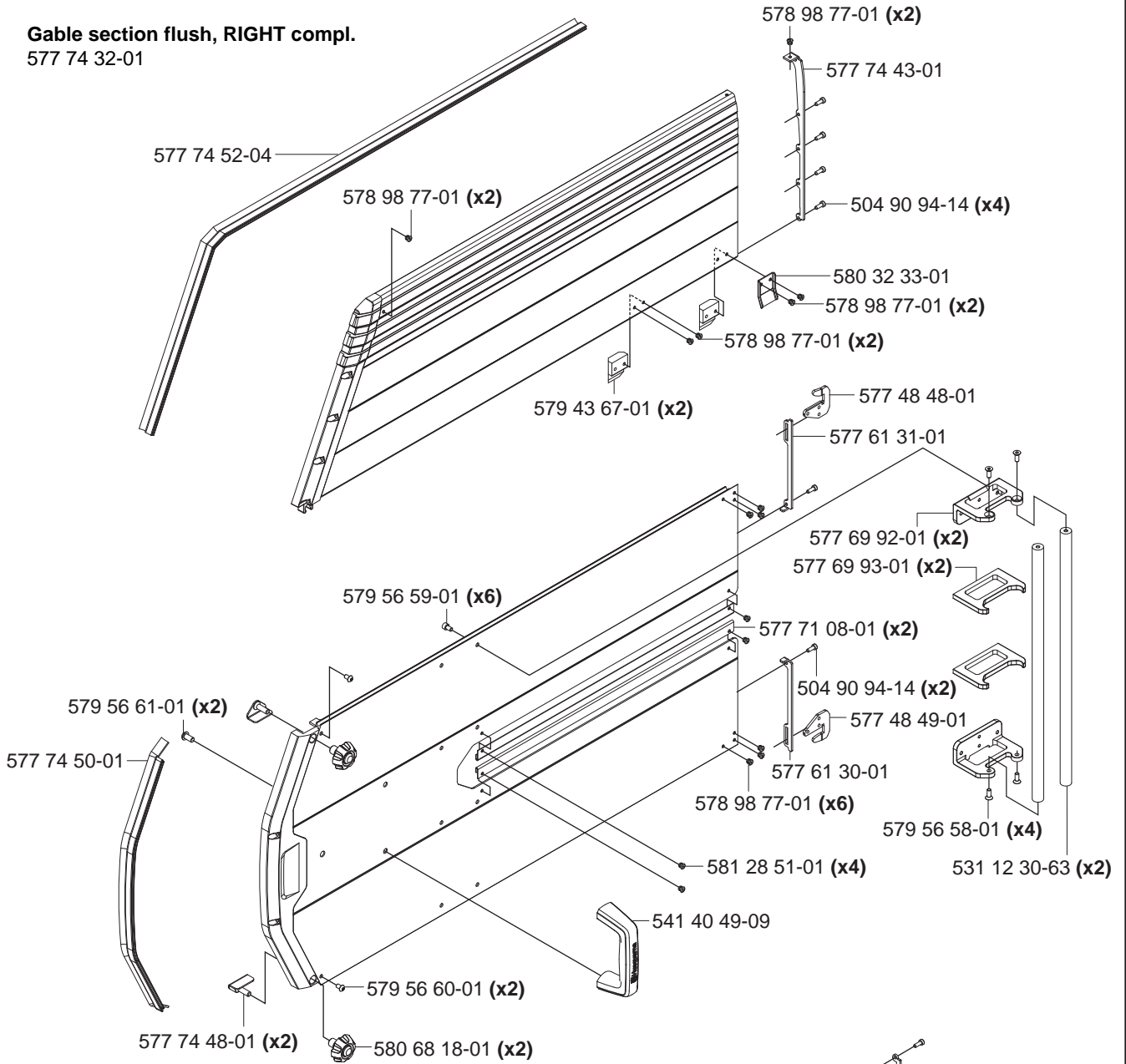
M1

WS 460

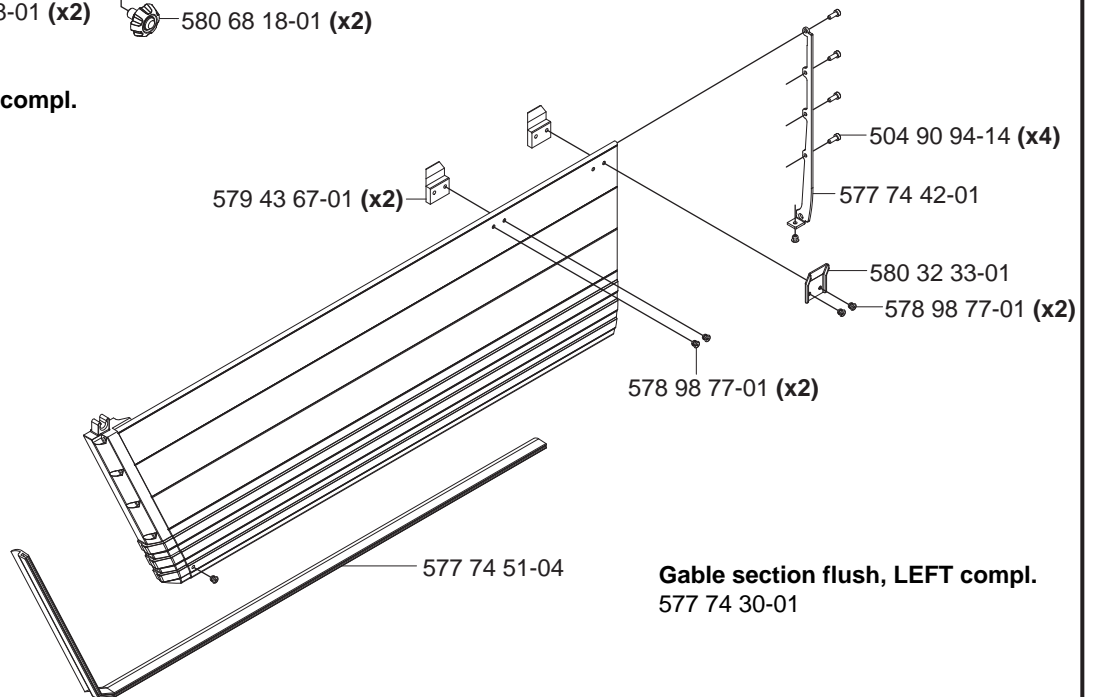
Blade guard 1000mm Complete 577 66 01-01



Gable section flush, RIGHT compl.
577 74 32-01



Centre section flush compl.
577 90 30-01



Gable section flush, LEFT compl.
577 74 30-01

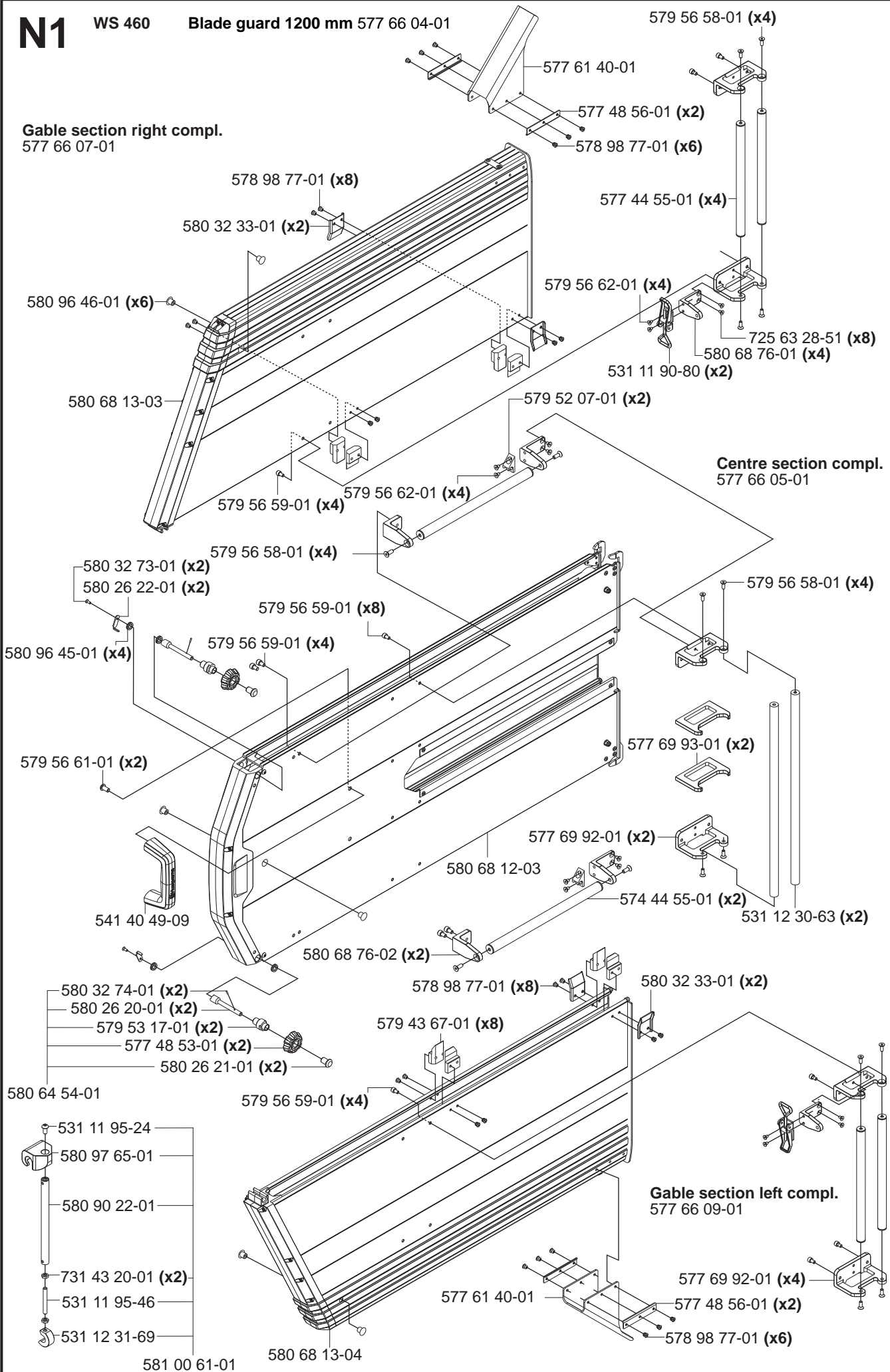
N1

WS 460

Blade guard 1200 mm 577 66 04-01

579 56 58-01 (x4)

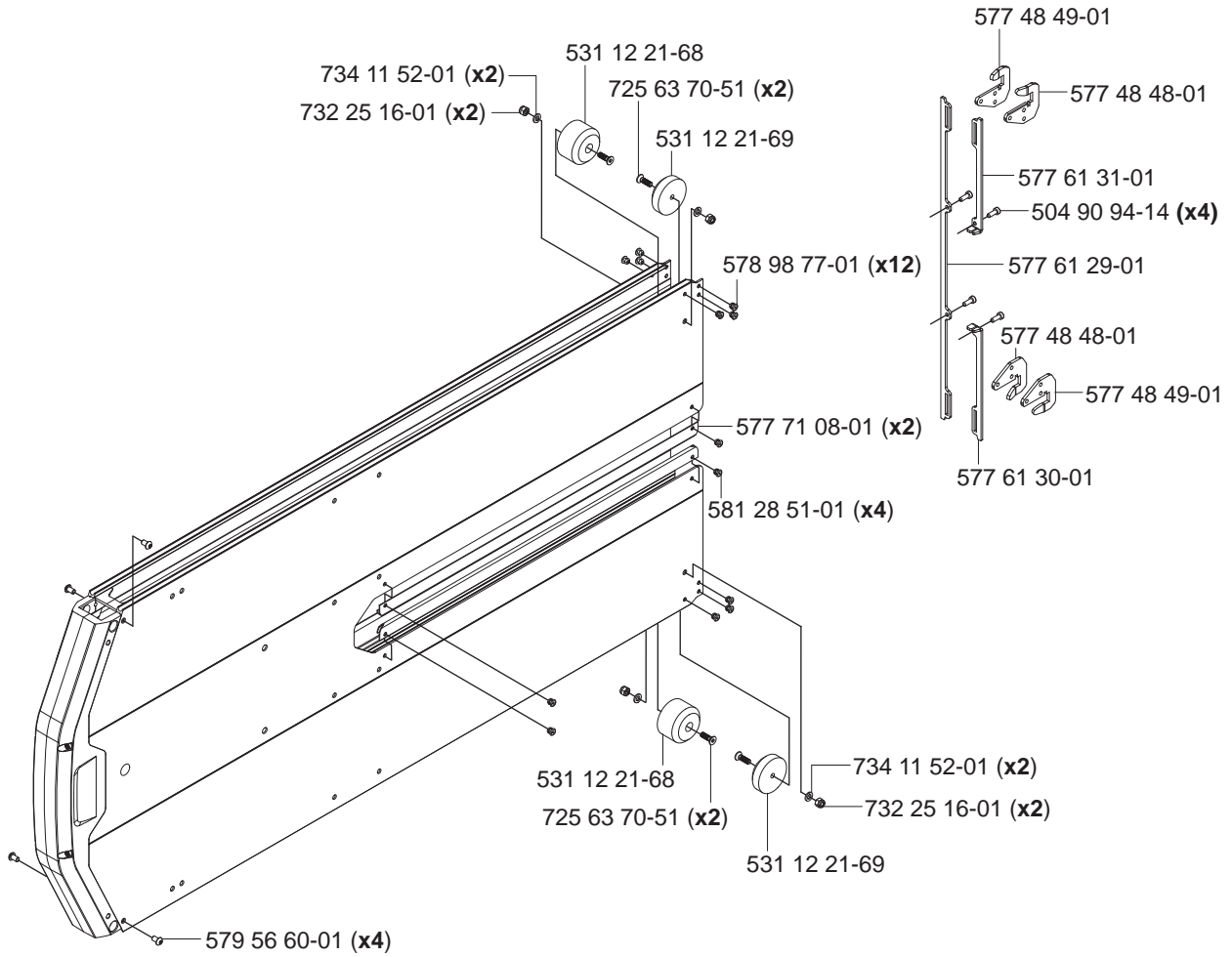
Gable section right compl.
577 66 07-01



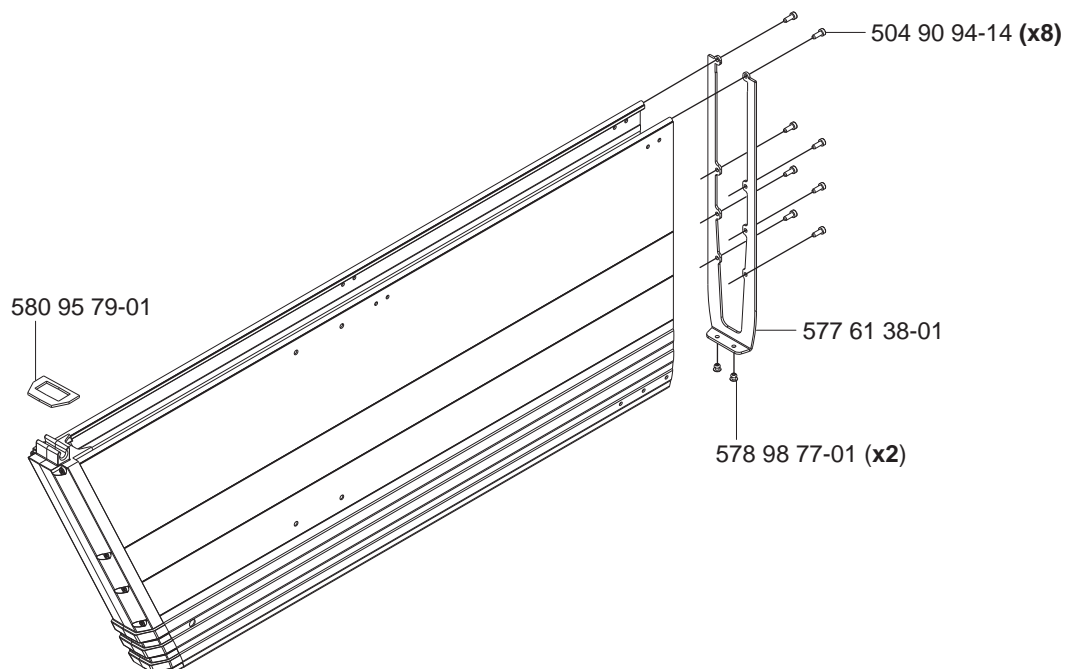
N2

WS 460

Blade guard centre section 1200 mm



Blade guard gable section 1200 mm

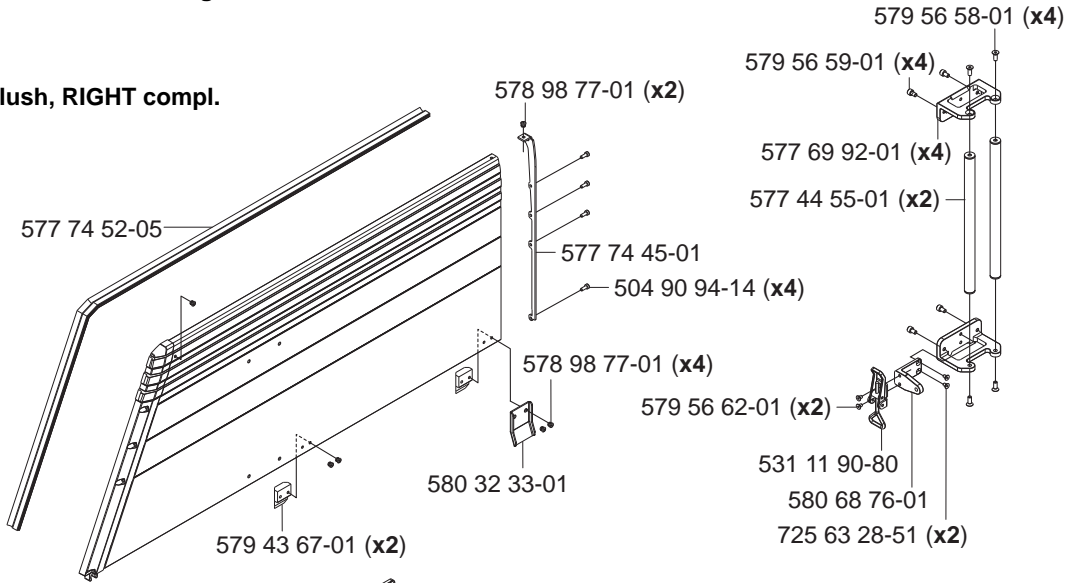


N3

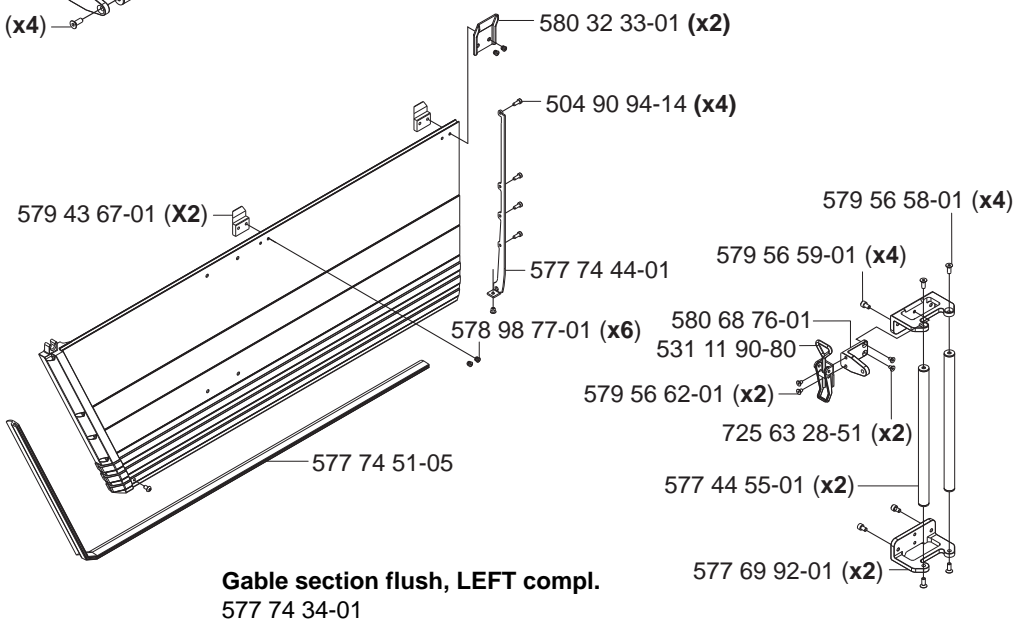
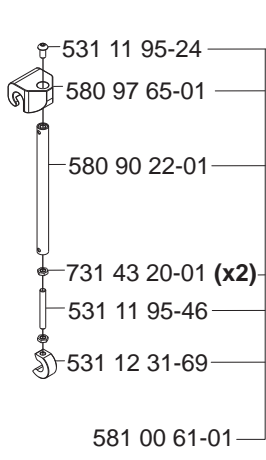
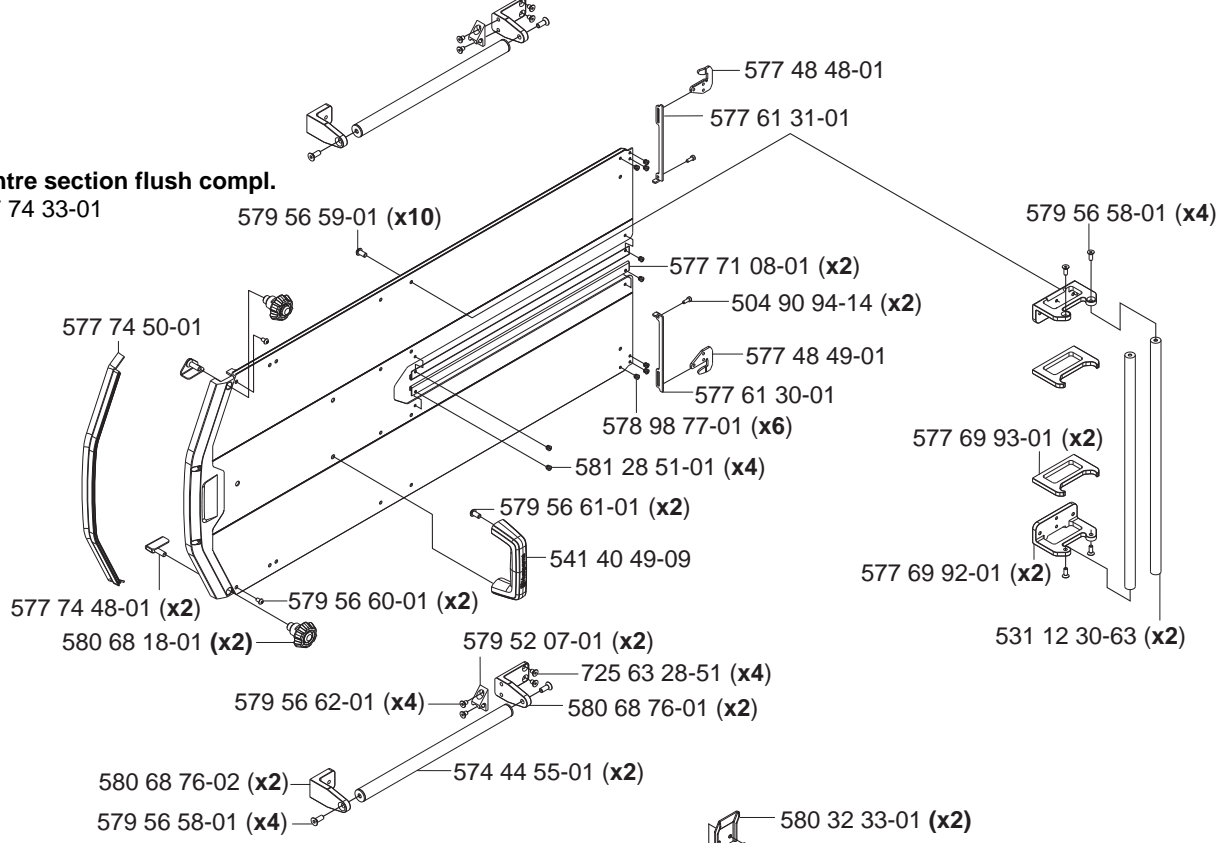
WS 460

Flush blade guard 1200 mm 577 74 25-01

Gable section flush, RIGHT compl. 577 41 35-01



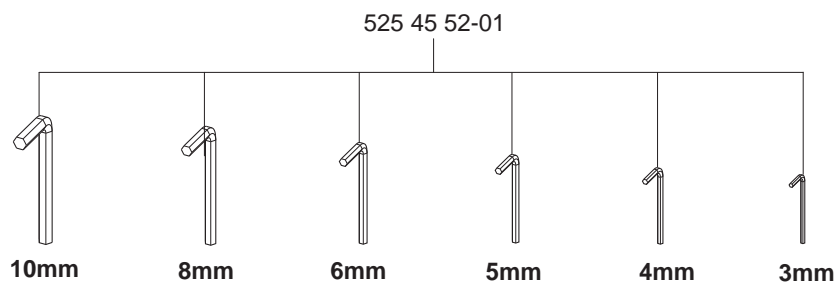
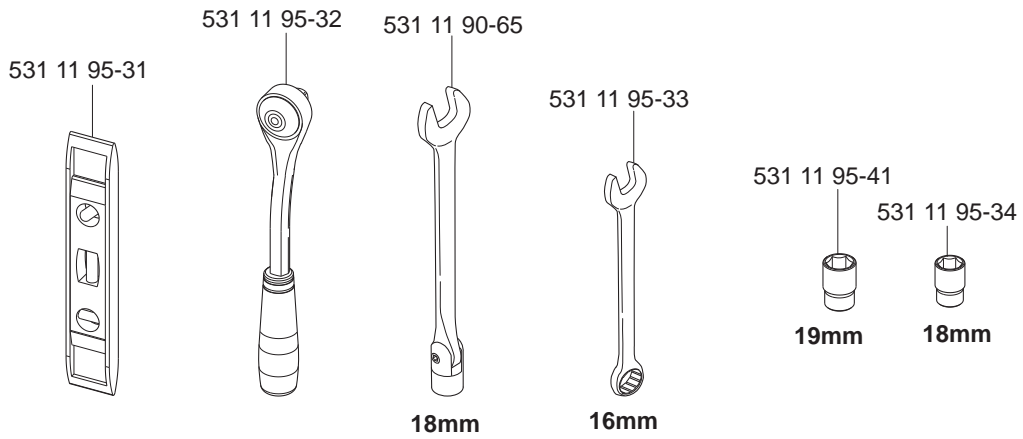
Centre section flush compl. 577 74 33-01



P

WS 460

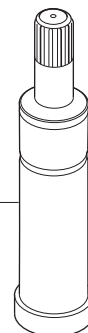
Toolkit compl 501 37 52-01



522 82 77-02



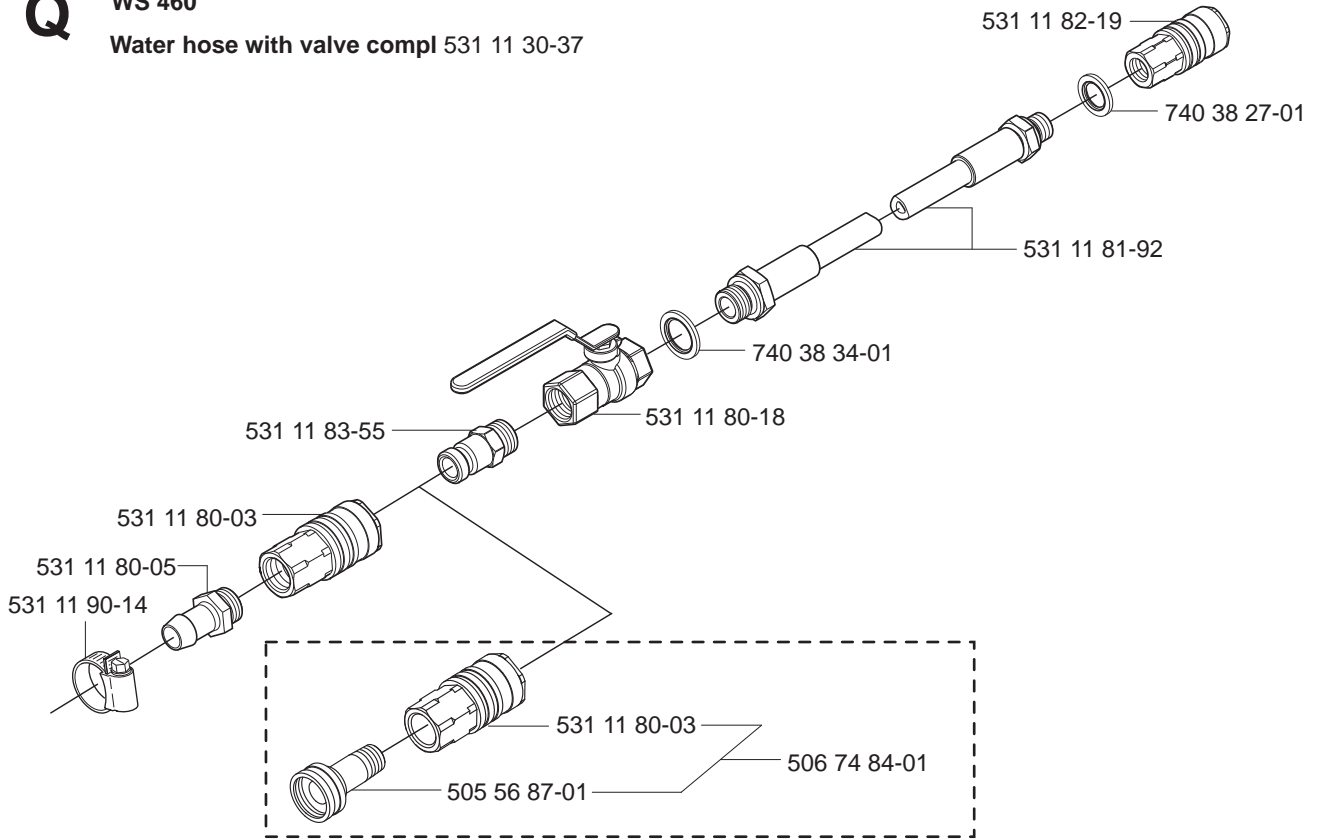
531 11 91-08



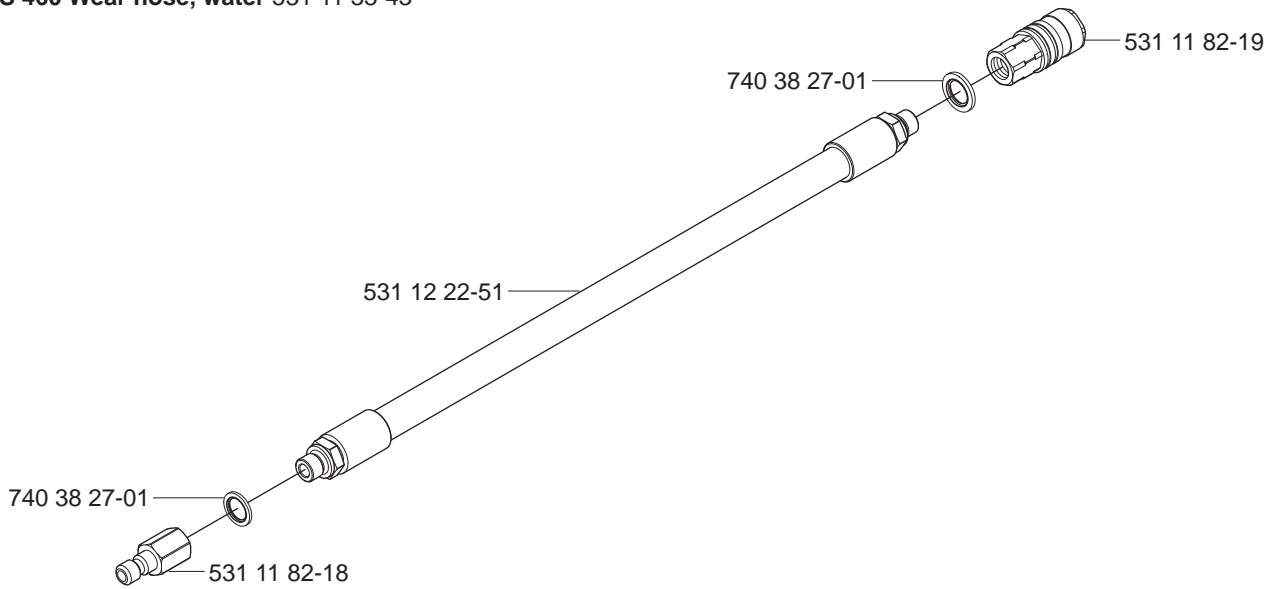
Q

WS 460

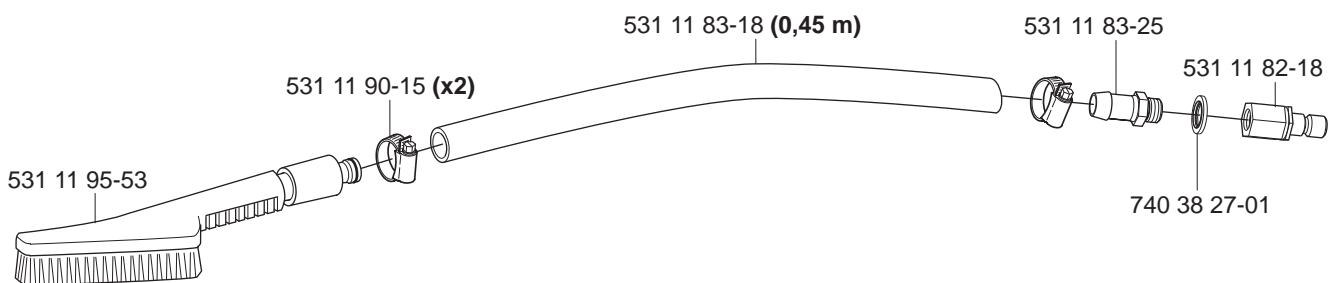
Water hose with valve compl 531 11 30-37

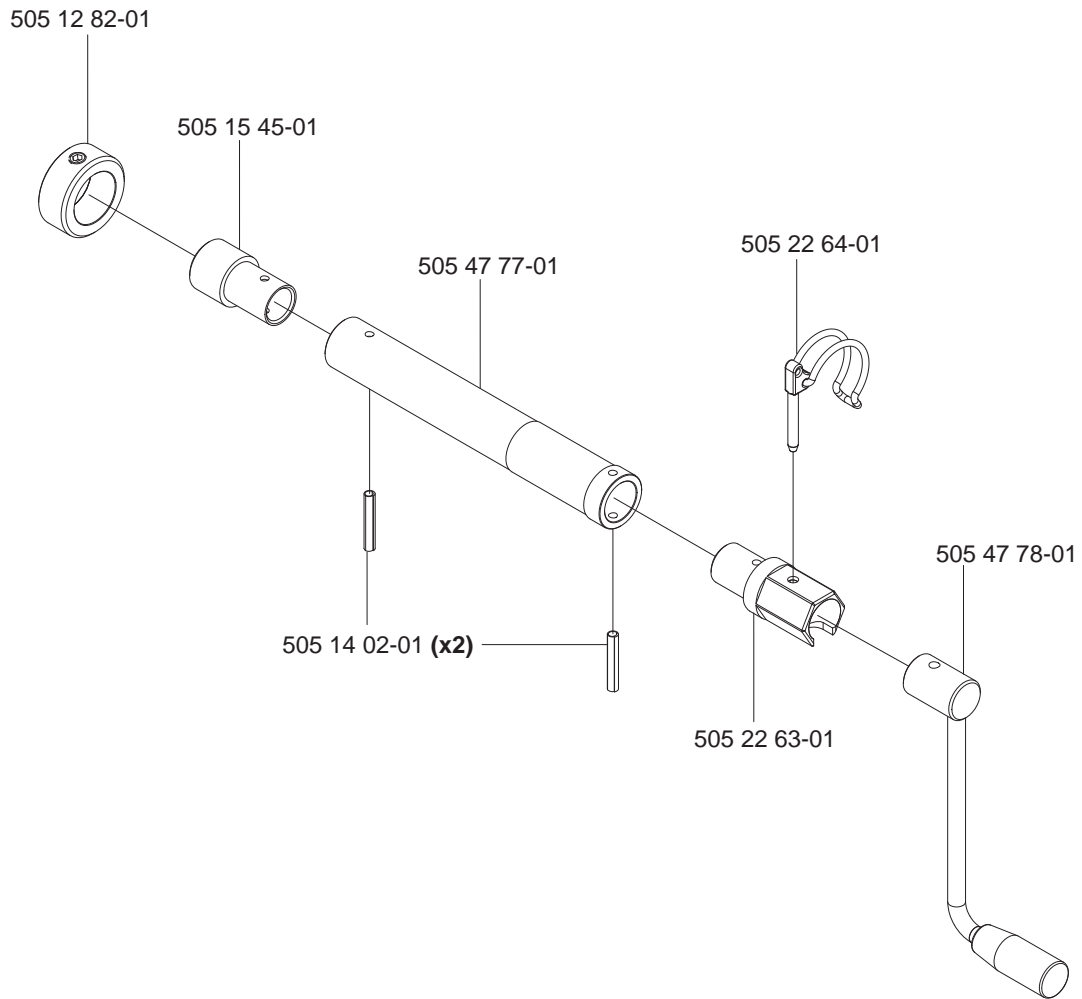


WS 460 Wear hose, water 531 11 33-43



Cleanig brush compl 531 11 32-68



R**WS 460****Crank complete 506 49 35-01****WS 460****Tillbehör
Accessories
Zubehöre
Accessoires
Accesorios****Angle adapter complete 505 32 13-01**