

WS 463

Reservdelar

Spare parts

Ersatzteile

Pieces de rechange

Piezas de repuesto

Ricambi

Peças sobresselente

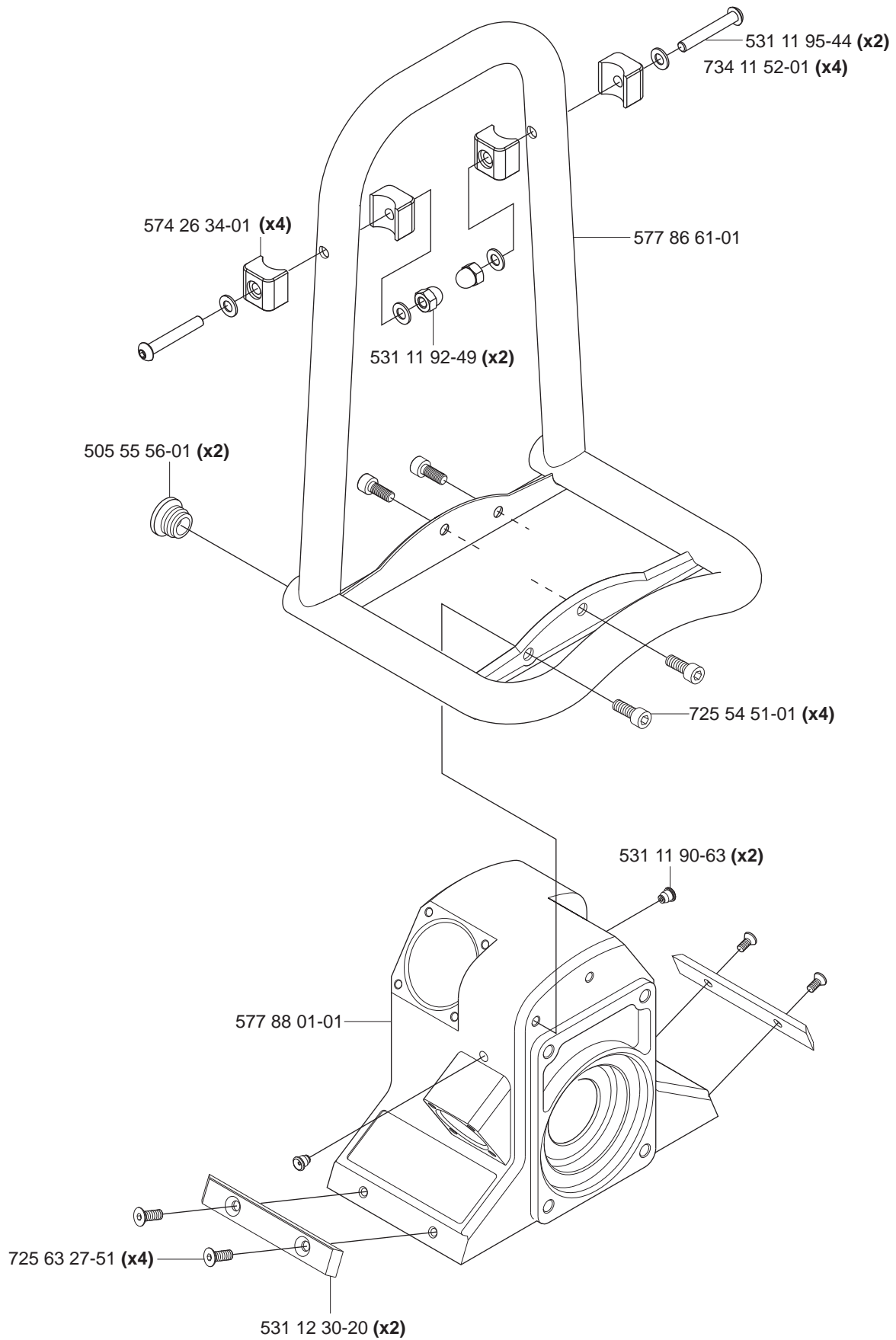
No.	Pos.	Description	No.	Pos.	Description
501 37 52-01	P	Tool kit	531 11 81-96	B	Tooth wheel set
504 10 02-01	J	Scale	531 11 81-98	B	Driving shaft
504 90 83-26	G	Cylindrical pin	531 11 82-18	EQ	Quick coupling, male 13411
504 90 94-14	"L2-3M2-4 N2-5O2-5"	Screw	531 11 82-19	Q	Quick coupling 1300UV
505 11 29-01	K	Mount	531 11 83-18	Q	Hose 0,45m
505 11 30-01	K	Excentric	531 11 83-25	Q	Nipple 1312
505 11 31-01	K	Handle bracket	531 11 83-37	B	Adapter 1/8"
505 11 33-01	K	Beam	531 11 90-14	Q	Hose clamp 13-20
505 11 34-01	K	Snap locking	531 11 90-15	Q	Hose clamp 15-24
			531 11 90-39	C	Bearing washer AS 3552
505 11 35-01	K	Hook	531 11 90-42	C	Bearing AXK 3552
505 11 38-01	K	Handle	531 11 90-45	F	Ball D20xM5
505 11 39-01	K	Shaft seat	531 11 90-63	A	Grease nipple
505 11 40-01	K	Spring	531 11 90-65	P	Wrench 18 mm
505 11 40-01	K	Spring	531 11 90-80	N1,5O1,5	Lock
505 12 59-01	G	Rocker lever	531 11 90-98	F	Spring LBR 45F
505 12 60-01	G	Spring	531 11 90-99	F	Ball 6 mm
505 18 64-01	K	Parallell pin	531 11 91-08	P	Grease gun
505 18 65-01	K	Screw	531 11 91-45	B	Washer, copper
505 18 66-01	K	Stop screw	531 11 91-46	B	Bearing washer
505 21 63-01	D	Radial seal 60x72x4	531 11 91-49	BF	Bearing AXK 1024
505 22 69-03	G	Carriage WS 400	531 11 91-50	B	Bearing
505 25 52-01	G	Paralel pin 4x32	531 11 91-52	H	Plug
505 28 38-01	F	Valve kit	531 11 91-55	B	Bearing Nk 19/16
505 40 73-01	F	Hydraulic motor WS 463	531 11 91-58	B	Shim 23.35x1
505 45 50-01	F	Plug	531 11 91-81	K	Washer 10.5x22
505 55 56-01	A	Plug	531 11 91-83	DHJ	Washer 13x24x2
506 06 85-01	D	Screw	531 11 91-85	DF	Sealing ring 1/2"
510 11 15-01	K	Handle holder	531 11 91-88	B	Radial seal
522 53 68-01	C	Plug	531 11 92-02	E	Screw M6S 12x25
522 72 01-01	E	Gasket	531 11 92-03	HJ	Screw M6S 12x30
522 82 77-01	P	Husqvarna oil 220 0,3 l	531 11 92-28	BD	Screw MC6S 5x14
525 45 52-01	P	Allen key set	531 11 92-35	H	Screw MC6S 8x14
529 28 11-01	D	Lid	531 11 92-49	A	Nut
529 28 12-01	D	Cover plate	531 11 92-62	F	O-ring 18,3x2,4
529 28 14-01	D	Bearing cage	531 11 92-70	F	O-ring 24,2x3
529 28 17-01	D	Cover	531 11 92-74	D	O-ring 29,2x3
529 28 20-01	D	Stub gear	531 11 92-77	B	O-ring 31,4x1,6
531 11 30-37	Q	Water hose with valve	531 11 92-80	B	O-ring 43x1,6
531 11 30-45	H	Track 1,2m complete	531 11 92-93	F	O-ring 80x1,6
531 11 30-46	H	Track 2,0m complete	531 11 93-19	F	Shaft seal SCN 18x30x6
531 11 30-47	H	Track 2,2m complete	531 11 93-39	F	Plug VSTI M14X1,5
531 11 30-78	F	Shaft seal set	531 11 93-40	F	Plug VSTI R1/2
531 11 31-69	B	Worm gear + comm. Valve	531 11 93-50	H	Screw MF6S 4x12 12.9
531 11 32-00	J	Mounting bracket universal	531 11 93-60	D	O-ring 133,0x1,78
531 11 32-44	D	Pivoting arm compl.	531 11 93-64	DJ	Spring
531 11 32-46	H	Mounting bracket complete	531 11 93-65	F	O-ring 11,3x2,4 NBR 90
531 11 32-47	H	Coupling link complete	531 11 93-75	C	X-Ring 114,0x1,78
531 11 32-48	H	Track holder complete	531 11 93-76	C	O-Ring 94,97x1,78
531 11 32-51	B	Motor bracket complete	531 11 93-89	G	Screw MLC6S 5x10
531 11 32-52	B	Feeding motor, track feed	531 11 94-18	J	Screw M6S 12x120
531 11 32-54	B	Feeding motor, down feed	531 11 94-20	J	O-ring 40x2
531 11 32-55	F	Hydraulic motor WS 463	531 11 94-26	G	Screw K6S 6x16 10.9 fzb
531 11 32-65	J	Measure rod complete	531 11 94-39	C	Bearing HK 3520
531 11 32-68	Q	Cleaning brush complete	531 11 94-40	C	Washer AS 5070
531 11 32-71	C	Clutch trackfeeding compl.	531 11 94-41	D	Bearing 16005
531 11 33-43	Q	Hose complete	531 11 94-43	C	Bearing 16007
531 11 80-03	Q	Quick coupling 1800UV	531 11 94-45	D	Bearing 61816
531 11 80-05	Q	Nipple 1812	531 11 94-51	D	O-ring 74,5x3
531 11 80-06	Q	Quick coupling 18210 male	531 11 94-53	G	Levell
531 11 80-18	Q	Ball valve	531 11 94-54	G	Spring
531 11 80-41	F	Hydraulic coupling 1/2"	531 11 94-56	H	Turning knob
531 11 80-42	F	Hydraulic coupling 1/2" male	531 11 94-99	D	O-ring 69,5x3
531 11 80-45	B	Hydraulic coupling 1/8"	531 11 95-00	C	O-ring 61x1,6
531 11 80-46	B	Hydraulic coupling 1/8" male	531 11 95-17	E	Plug for M8
531 11 81-13	D	Magnetic plug	531 11 95-24	N1,5O1,5	Screw
531 11 81-44	F	Pressure relief valve	531 11 95-31	P	Water level
531 11 81-92	Q	Water hose	531 11 95-32	P	Ratchet wrench
531 11 81-93	F	Spring PLC 081-230	531 11 95-33	P	Wrench 16mm
531 11 81-95	B	Tooth wheel set	531 11 95-34	P	Socket 18mm

No.	Pos.	Description	No.	Pos.	Description
531 11 95-41	P	Socket 19mm	531 12 30-51	E	Plate for hub
531 11 95-44	A	Screw	531 12 30-55	B	Cover plate
531 11 95-46	N1,5O1,5	Pin screw	531 12 30-57	E	Water connection
531 11 95-53	Q	Cleaning brush	531 12 30-63	"L1-3M1,4 N1,5O1,5"	Rail for bladeguard
531 11 95-86	J	Screw MRX 3x5	531 12 30-65	K	Roller guide
531 11 95-88	G	Seeger circlip SGA 11	531 12 30-66	K	Cover
531 11 95-89	K	Screw K6S 6x20 10.9 fzb	531 12 30-70	K	Handle
531 11 95-93	E	Plug for M10	531 12 30-71	K	Excentric shaft
531 11 95-96	B	O-ring 41x1	531 12 30-75	H	Track holder
531 11 96-01	D	Shaft seal BASL 25x35x7			
531 12 13-44	F	Support washer	531 12 30-76	H	Clamping plate
531 12 14-02	F	Valve lever hub	531 12 30-95	E	Water hose
531 12 14-03	F	Valve lever	531 12 30-96	H	Coupling link
531 12 20-27	H	Rack	531 12 30-97	H	Clamping washer
531 12 20-28	H	Rack	531 12 31-00	B	Aluminium washer red
531 12 20-34	B	Thrust journal	531 12 31-03	B	Distance 20cc
531 12 20-43	H	Guide	531 12 31-69	N1,5O1,5	Clamp
531 12 20-44	H	Guide	531 14 20-25	F	Nipple 1/2"
531 12 20-49	D	Sealing plug	541 40 49-09	"L1-3M1,4 N1,5O1,5"	Handle
531 12 20-70	H	Safety stop			
531 12 20-84	F	Valve block	574 26 34-01	A	Spacing sleeve
531 12 20-85	F	Valve cover	574 43 13-01	E	Hub
531 12 20-86	F	Retracting block	574 43 55-01	E	Water block
531 12 20-87	F	Shift valve	574 44 39-01	D	Ring
531 12 21-06	F	Check valve plug	574 45 21-01	D	Bearing 16011
531 12 21-07	F	Plunge	574 45 22-01	D	Radial seal
531 12 21-08	B	Cover	574 45 23-01	E	Radial seal 50x62x5
531 12 21-18	H	Clamping washer	574 45 24-01	D	O-ring 45x1,6
531 12 21-24	H	Rack	574 45 25-01	E	O-ring 75x2
531 12 21-25	H	Guide	574 45 26-01	D	O-ring 91,7x1,78
531 12 21-68	N2O2	Block	574 45 27-01	E	Bearing
531 12 21-69	N2O2	Block	574 45 29-01	D	O-ring 110,7x1,78
531 12 21-82	K	Guide wheel shaft	574 61 87-01	C	Arm shaft
531 12 21-82	K	Guide wheel shaft, upper	574 61 97-01	C	Key 6x6x14
531 12 21-83	K	Wheel	574 82 95-01	E	Blade flange compl.
531 12 22-51	Q	Wear hose	574 82 95-02	E	Blade flange 60mm compl.
531 12 22-80	C	Friction plate pivoting arm	574 82 95-03	E	Blade flange 130 compl.
531 12 23-38	K	Spacer	575 25 81-01	D	Pivoting arm
531 12 23-57	J	Friction plate	576 13 92-06	L2	Gable
531 12 23-58	K	Guide wheel shaft, lower	576 13 92-07	L2	Gable
531 12 24-54	J	Mounting bracket	576 13 92-08	M3	Gable
531 12 24-55	J	Shaft	576 13 92-09	M3	Gable
531 12 24-56	J	Link to track-holder	576 13 92-10	N3N4	Gable
531 12 24-57	J	Track holder	576 13 92-11	N3N4	Gable
531 12 24-58	J	Clamping plate	576 13 92-14	O3-4	Gable
531 12 24-59	J	Clamping plate nut	576 13 92-15	O3-4	Gable
531 12 24-60	J	Breaking plate	576 13 92-16	L3	Gable
531 12 30-09	G	Handle	576 13 92-17	L3	Gable
531 12 30-10	G	Bar	576 13 92-18	M4	Gable
531 12 30-11	G	Excentric locking shaft	576 13 92-19	M4	Gable
531 12 30-12	G	Locking clamp	576 13 92-20	N5	Gable
531 12 30-13	G	Sprint	576 13 92-21	N5	Gable
531 12 30-15	G	Feeding shaft	576 13 92-22	O5	Gable
531 12 30-16	G	Shaft holder	576 13 92-23	O5	Gable
531 12 30-17	G	Transfer gear	576 14 13-15	M3M4	Distance Plate
531 12 30-20	A	Wear plate	576 14 13-16	M3M4	Distance Plate
531 12 30-21	C	Feeding gear, arm	576 14 13-17	M3M4	Distance Plate
531 12 30-22	C	Feeding gear, track	576 14 13-20	N3,5	Spacer plate
531 12 30-23	C	Longituinal feeding gear	576 14 13-21	N4-5	Spacer plate
531 12 30-25	C	Cup spring	576 14 13-22	N3-5	Spacer plate
531 12 30-26	C	Friction plate	576 14 13-23	N3-5	Spacer plate
531 12 30-30	D	Input gear	576 14 13-24	N4	Spacer plate
531 12 30-32	D	Medial gear	576 14 13-25	N3	Spacer plate
531 12 30-33	E	Flange, outer	576 14 13-26	L2L3	Distance Plate
531 12 30-35	D	Blade shaft	576 14 13-27	L2L3	Distance Plate
531 12 30-40	C	Clutch plate	576 14 13-28	M3M4	Distance Plate
531 12 30-41	D	Mounting plate	576 14 13-29	M3M4	Distance Plate
531 12 30-43	D	Medial shaft	576 14 13-30	M3M4	Distance Plate
531 12 30-44	D	Medial spacer	576 14 15-08	L2L3	Baffle Plate
531 12 30-48	E	60mm bushing	576 14 15-09	L2	Baffle Plate

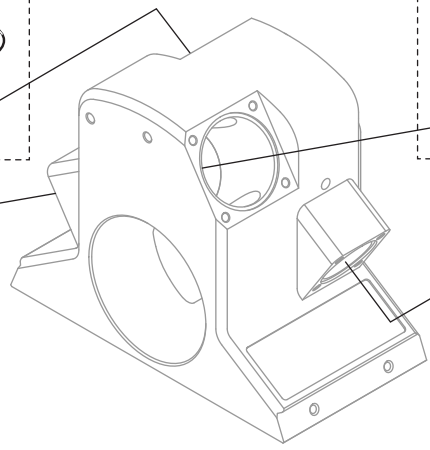
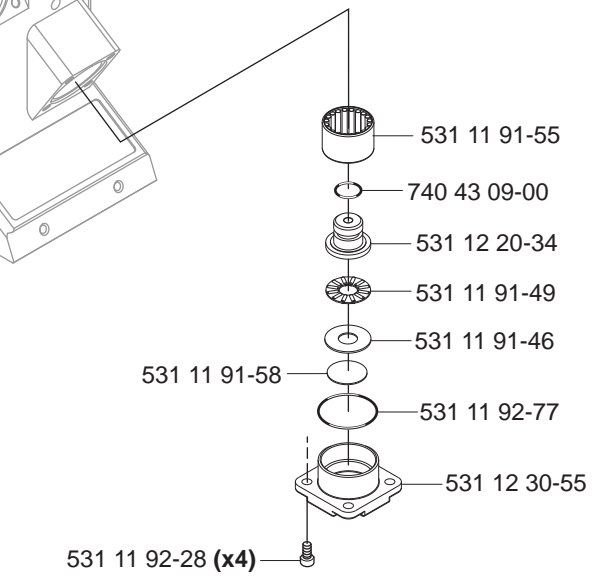
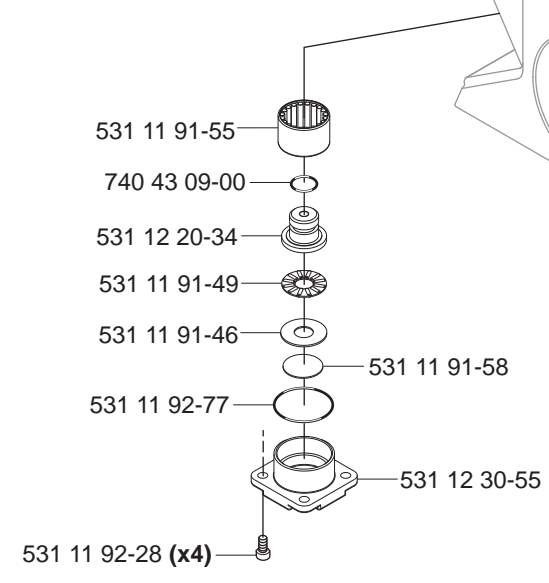
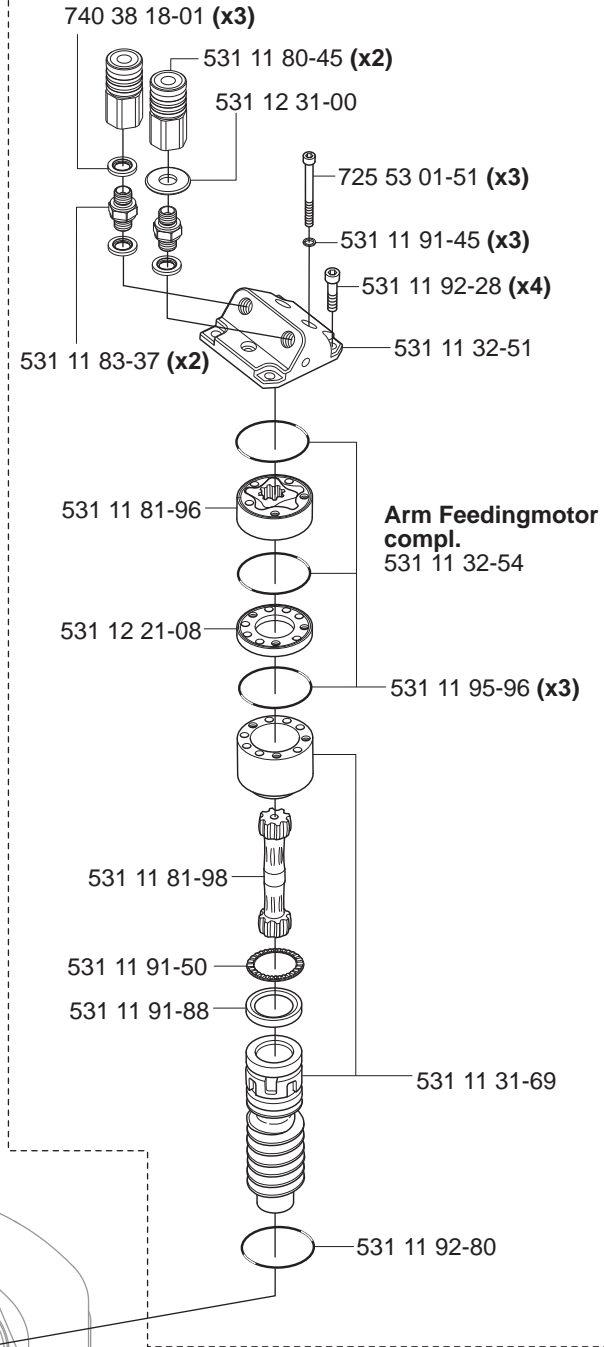
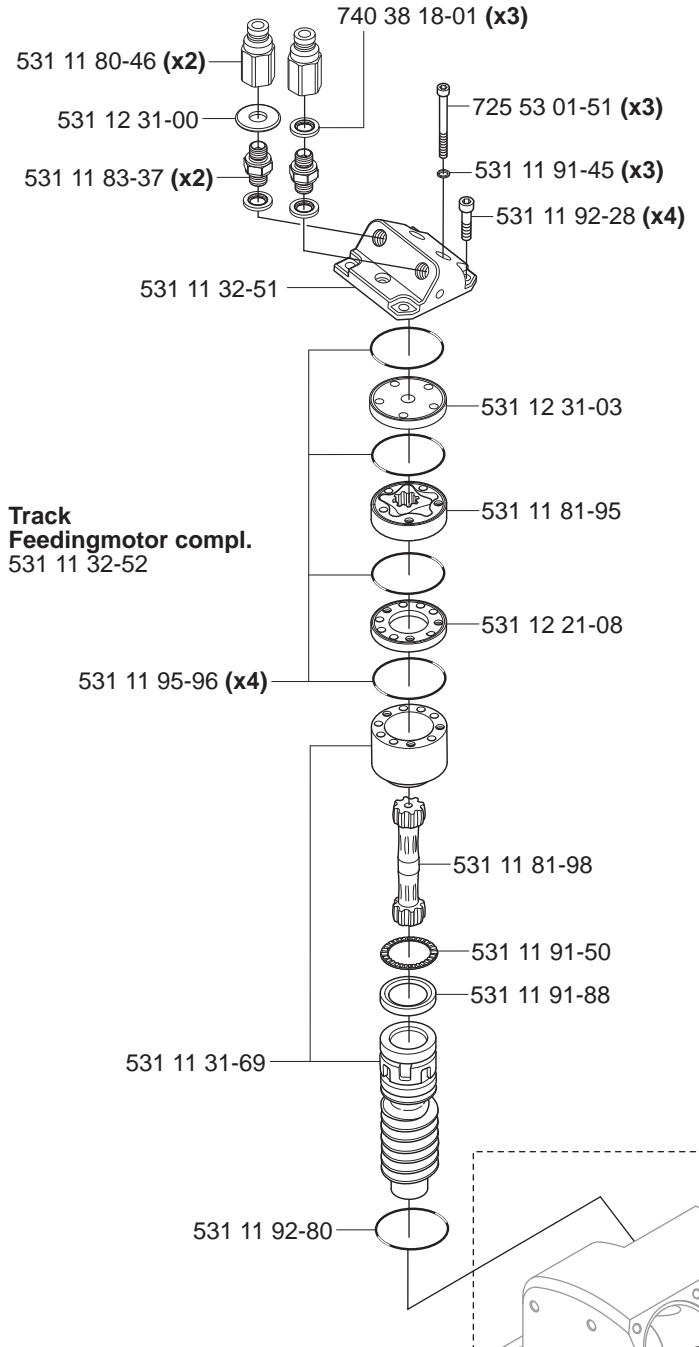
No.	Pos.	Description	No.	Pos.	Description
576 14 15-10	L2L3	Baffle Plate	577 44 65-02	N3-4	Gable 1200
576 14 15-11	L2L3	Baffle Plate	577 44 65-03	N5	Gable flush left 1200
576 14 15-12	M2M4	Baffle Plate	577 44 65-04	N5	Gable flush right 1200
576 14 15-13	M2	Baffle Plate	577 44 67-02	O3-4	Gable 1600
576 14 15-14	M2M4	Baffle Plate	577 44 67-03	O5	Gable flush left 1600
576 14 15-15	M2M4	Baffle Plate	577 44 67-04	O5	Gable flush right 1600
576 14 15-16	N2,5	Baffle plate	577 44 68-02	L2	Gable plate
576 14 15-17	N2	Baffle plate	577 44 68-03	M3	Gable plate
576 14 15-18	N2,5	Baffle plate	577 44 68-04	N3-4	Gable plate
576 14 15-19	N2,5	Baffle plate	577 44 68-06	O3-4	Gable plate
576 14 15-20	N4	Baffle plate	577 48 48-01	"L2-3M2,4 N2,5O2,5"	Hitch
576 14 15-21	N3,5	Baffle plate	577 48 49-01	"L2-3M2,4 N2O2"	Hitch
576 14 15-22	N3	Baffle plate	577 48 53-01	"L1M1N1 O1"	Turning knob
576 14 15-23	N4	Baffle plate	577 48 56-01	"L1M1N1 O1"	Washer
576 14 15-24	O3	Baffle plate	577 53 16-01	E	Stop washer
576 14 15-25	O4	Baffle plate	577 53 22-01	E	Flange, inner
576 14 15-26	O3-5	Baffle plate	577 53 28-01	E	Flange, inner 130
576 14 15-27	O3-5	Baffle plate	577 53 29-01	E	Screw MC6S 2,5x5
576 14 15-28	O3,5	Baffle plate	577 61 29-01	"L2M2N2 O2"	Link
576 14 15-29	O4	Baffle plate	577 61 30-01	"L2-3M2,4 N2,5O2,5"	Link
576 14 15-30	O2,5	Baffle plate	577 61 31-01	"L2-3M2,4 N2,5O2,5"	Link
576 14 15-31	O2	Baffle plate	577 61 36-01	L2	End cover
576 14 15-32	O2,5	Baffle plate	577 61 37-01	M3	End cover
576 14 15-33	O2,5	Baffle plate	577 61 38-01	N3-4	End cover
576 14 15-34	O4	Baffle plate	577 61 39-01	O3-4	End cover
576 14 15-35	O3,5	Baffle plate	577 61 40-01	"L1M1N1 O1"	Spray guard
576 14 15-38	O4,5	Baffle plate	577 65 97-01	L1	Bladeguard 800
576 14 15-39	O3,5	Baffle plate	577 65 98-01	L1	Centre section 800 complete
576 14 15-40	L2	Baffle Plate	577 66 00-01	L1	Gable section 800 complete
576 14 15-41	L2	Baffle Plate	577 66 01-01	M1	Bladeguard 1000
576 14 15-42	M2	Baffle Plate	577 66 02-01	M1	Centre section complete
576 14 15-43	M2	Baffle Plate	577 66 03-01	M1	Gable section complete
576 14 15-44	N2	Baffle plate	577 66 04-01	N1	Bladeguard 1200
576 14 15-45	N2	Baffle plate	577 66 05-01	N1	Centre section 1200 compl.
576 14 15-46	O2	Baffle plate	577 66 07-01	N1	Gable section right 1200 compl.
576 14 15-47	O2	Baffle plate	577 66 09-01	N1	Gable section left 1200 compl.
576 25 00-10	L2L3	Frame tube	577 66 10-01	O1	Bladeguard 1600
576 25 00-11	L2L3	Frame tube	577 66 11-01	O1	Centre section 1600 compl.
576 25 00-12	L2L3	Frame tube	577 66 12-01	O1	Gable section right 1600 cpl
576 25 00-13	L2	Frame tube	577 66 14-01	O1	Gable section left 1600 cpl
576 25 00-14	M2M4	Frame tube	577 69 92-01	"L1,3M1,4 N1,5O1,5"	Rail Fixture
576 25 00-15	M3M4	Frame tube	577 69 93-01	"L1,3M1,4 N1,5O1,5"	Rail Fixture
576 25 00-16	M3M4	Frame tube	577 71 07-01	"L2M3N3-4 O3-4"	Clip, bricka
576 25 00-17	M3M4	Frame tube	577 71 08-01	"L2-3M2,4 N2,5O2,5"	Guide bar
576 25 00-18	M3M4	Frame tube	577 74 23-01	L3	Bladeguard flush 800
576 25 00-19	M3	Frame tube	577 74 24-01	M4	Bladeguard flush 1000
576 25 00-20	N2,5	Frame tube	577 74 25-01	N5	Bladeguard flush 1200 compl.
576 25 00-21	N3-5	Frame tube	577 74 26-01	O5	Bladeguard flush 1600 compl.
576 25 00-22	N3-5	Frame tube	577 74 27-01	L3	Centre section 800 flush cpl.
576 25 00-23	N3-5	Frame tube	577 74 28-01	L3	Gable section flush Left cpl.
576 25 00-24	N3-5	Frame tube	577 74 29-01	L3	Gable section flush Right cpl.
576 25 00-25	N3-4	Frame tube	577 74 30-01	M4	Gable section flush Left cpl.
576 25 00-26	O2,5	Frame tube	577 74 32-01	M4	Gable section flush Right cpl.
576 25 00-27	O3-5	Frame tube	577 74 40-01	L3	End Cover
576 25 00-28	O3-5	Frame tube	577 74 41-01	L3	End Cover
576 25 00-29	O3-5	Frame tube	577 74 42-01	M4	End Cover
576 25 00-30	O3-5	Frame tube	577 74 43-01	M4	End Cover
576 25 00-31	O3-4	Frame tube			
576 65 89-01	J	Support screw			
577 44 55-01	N1,5	Guide rail			
577 44 62-02	"L2M2N2 O2"	End fitting			
577 44 62-03	"L3M4N5 O5"	End fitting			
577 44 63-02	L2	Gable			
577 44 63-03	L3	Gable			
577 44 63-04	L3	Gable			
577 44 64-02	M3	Gable			
577 44 64-03	M4	Gable			
577 44 64-04	M4	Gable			

No.	Pos.	Description	No.	Pos.	Description
577 74 44-01	N5	End cover	580 68 13-02	M1M3	Gable section 1000
577 74 45-01	N5	End cover	580 68 13-03	N1,4	Gable section right 1200
577 74 46-01	O5	End cover	580 68 13-04	N1,3	Gable section left 1200
577 74 47-01	O5	End cover	580 68 13-05	O1,4	Gable section right 1600
577 74 48-01	"L3M4N5 O5"	Holder	580 68 13-06	O1,3	Gable section left 1600
577 74 50-01	"L3M4N5 O5"	U-list centre	580 68 18-01	L3M4	Knob
577 74 51-03	L3	U-list gable left 800	580 68 76-01	N1,5O1,5	Bracket
577 74 51-04	M4	U-list gable left 1000	580 68 76-02	N1,5O1,5	Angle bracket
			580 90 22-01	N1,5O1,5	Bar
			580 95 79-01	"L2M3N3-4 O3-4"	Gasket
577 74 51-05	N5	U-list gable left 1200		"L1M1N1 O1"	V-ring
577 74 51-06	O5	U-list gable left 1600	580 96 45-01	"L1M1N1 O1"	Plug
577 74 52-03	L3	U-list gable right 800	580 96 46-01	N1,5O1,5	Hook
577 74 52-04	M4	U-list gable right 1000	581 00 61-01	N1,5O1,5	Support bar assy
577 74 52-05	N5	U-list gable right 1200	581 28 51-01	"L2,3M2,4 N2,5O2,5"	Rivet
577 74 52-06	O5	U-list gable right 1600	720 12 71-50	G	Cylindrical pin 4x18
577 86 61-01	A	Saw handle			
577 88 01-01	A	Housing	720 13 08-50	EG	Cylindrical pin 5x16
577 90 30-01	M4	Centre section 1000 flush cpl.	720 13 51-50	D	Cylindrical pin 6x16
578 84 82-01	G	Plate	720 13 52-51	H	Cylindrical pin 6x18
			720 13 53-50	J	Cylindrical pin 6x20
578 84 83-01	G	Holder	720 13 65-51	J	Cylindrical pin 6x50
578 84 84-01	G	Holder	721 42 58-00	F	Spring pin 4x25
578 84 85-01	G	Block	723 53 66-51	E	Screw MFS 6x12
578 98 77-01	"L1-3M1-4 N1-5O1-5"	Rivet	725 25 43-51	H	Screw M6S 12x55
579 43 67-01	"L1,3M1,4 N1,5O1,5"	Guide	725 25 44-91	D	Screw M6S 12x60
579 52 07-01	N1,5O1,5	Hook	725 52 89-01	D	Screw MC6S 4x10
579 53 17-01	"L1M1N1 O1"	Cone			
579 56 58-01	"L1,3M1,4 N1,5O1,5"	Screw MF6S 6x16 Bluepatch	725 53 01-51	B	Screw MC6S 4x35 12.9
579 56 59-01	"L1,3M1,4 N1,5O1,5"	Screw MC6S 6x10 Bluepatch	725 53 41-01	K	Screw MC6S 5x50
579 56 60-01	"L2,3M2,4 N2,5O2,5"	Screw MK6S 6x10 Bluepatch	725 53 62-01	K	Screw MC6S M6x8
579 56 61-01	"L1,3M1,4 N1,5O1,5"	Screw MK6S 8x12 Bluepatch	725 53 64-01	H	Screw MC6S 6x10
579 56 62-01	N1O1	Screw	725 53 68-01	GK	Screw MC6S 6x16
580 26 20-01	"L1M1N1 O1"	Screw	725 53 70-01	G	Screw MC6S 6x20
	"L1M1N1 O1"	Nut	725 53 76-01	F	Screw MC6S 6x35
580 26 21-01	"L1M1N1 O1"	Nut	725 53 78-01	F	Screw MC6S 6x40
580 26 22-01	"L1M1N1 O1"	Hook	725 54 51-01	A	Screw MC6S 8x20
580 32 33-01	"L1,3M1,4 N1,5O1,5"	Guide	725 54 53-01	FG	Screw MC6S 8x25
580 32 73-01	"L1M1N1 O1"	Screw MF6S 4x10 Bluepatch			
580 32 74-01	"L1M1N1 O1"	Pin CPK 2x10 DIN6325	725 54 64-01	D	Screw MC6S 8x65
580 39 62-01	G	Locking pin	725 54 93-01	G	Screw MC6S 10x25
580 41 24-01	D	O-ring 71x4,5	725 62 87-01	D	Screw MF6S 4x8
580 42 49-02	D	Nut incl. O-ring	725 63 27-51	AEFK	Screw MF6S 5x12 10.9
580 43 28-01	G	Bearing	725 63 28-51	"N1N5O1 O5"	Screw
580 43 29-01	K	Bearing	725 63 30-51	K	Screw MF6S 5x16 10.9
580 44 81-01	G	Guide wheel concentric compl.	725 63 66-51	E	Screw MF6S 6x12 10.9
580 44 82-01	G	Guide wheel excentric compl.	725 63 68-51	DK	Screw MF6S 6x16 10.9
580 44 83-01	G	Sleeve	725 63 70-51	"EKN2 O2"	Screw MF6S 6x20 10.9
580 56 61-01	N1	Angle bracket	725 64 47-51	E	Screw MF6S 8x12 10.9 fzb
580 64 54-01	"L1M1N1 O1"	Knob assy	725 64 89-51	E	Screw MF6S 10x16 10.9
580 67 76-01	K	Guide wheel fixed	728 72 89-05	C	Stop screw S6SS 4x10
580 67 76-02	K	Guide wheel adjustable	728 83 27-05	J	Stop screw SK6SS 5x12
580 68 12-01	L1L2	Centre section 800	728 83 64-05	G	Stop screw SK6SS 6x10
580 68 12-02	M1M2	Centre section 1000	731 43 20-01	"KN1,5 O1,5"	Nut M10 low
580 68 12-03	N1-2	Centre section 1200	732 25 14-01	K	Nut M5 Nylock
580 68 12-04	O1-2	Centre section 1600	732 25 16-01	N2O2	Nut
580 68 13-01	L1L2	Gable section 800			
			732 25 22-71	DJ	Locking nut M12
			734 11 35-71	G	Washer 4.3x8
			734 11 52-01	AN2O2	Washer 6.4x12
			734 11 63-01	DFH	Washer 8.4x16
			735 31 28-10	G	Seeger circlip
			735 31 30-10	F	Seeger circlip SGH 30
			735 31 33-00	C	Seeger circlip SGA 35
			735 31 33-10	K	Seeger circlip SGH 35
			738 21 05-00	D	Bearing
			738 21 10-04	C	Bearing 6010-2RS1

No.	Pos.	Description	No.	Pos.	Description
740 38 18-01	B	Sealing ring 1/8			
740 38 27-01	EQ	Sealing ring 1/4			
740 38 34-01	Q	Sealing washer 3/8"			
740 42 07-00	E	O-ring 9,1x1,6			
740 43 07-00	FH	O-ring 9,3x2,4			
740 43 09-00	BF	O-ring 11,3x2,4			
740 43 11-00	D	O-ring 13,3x2,4			
740 44 04-00	F	O-ring 19,2x3			
740 44 05-00	E	O-ring 22,2x3			

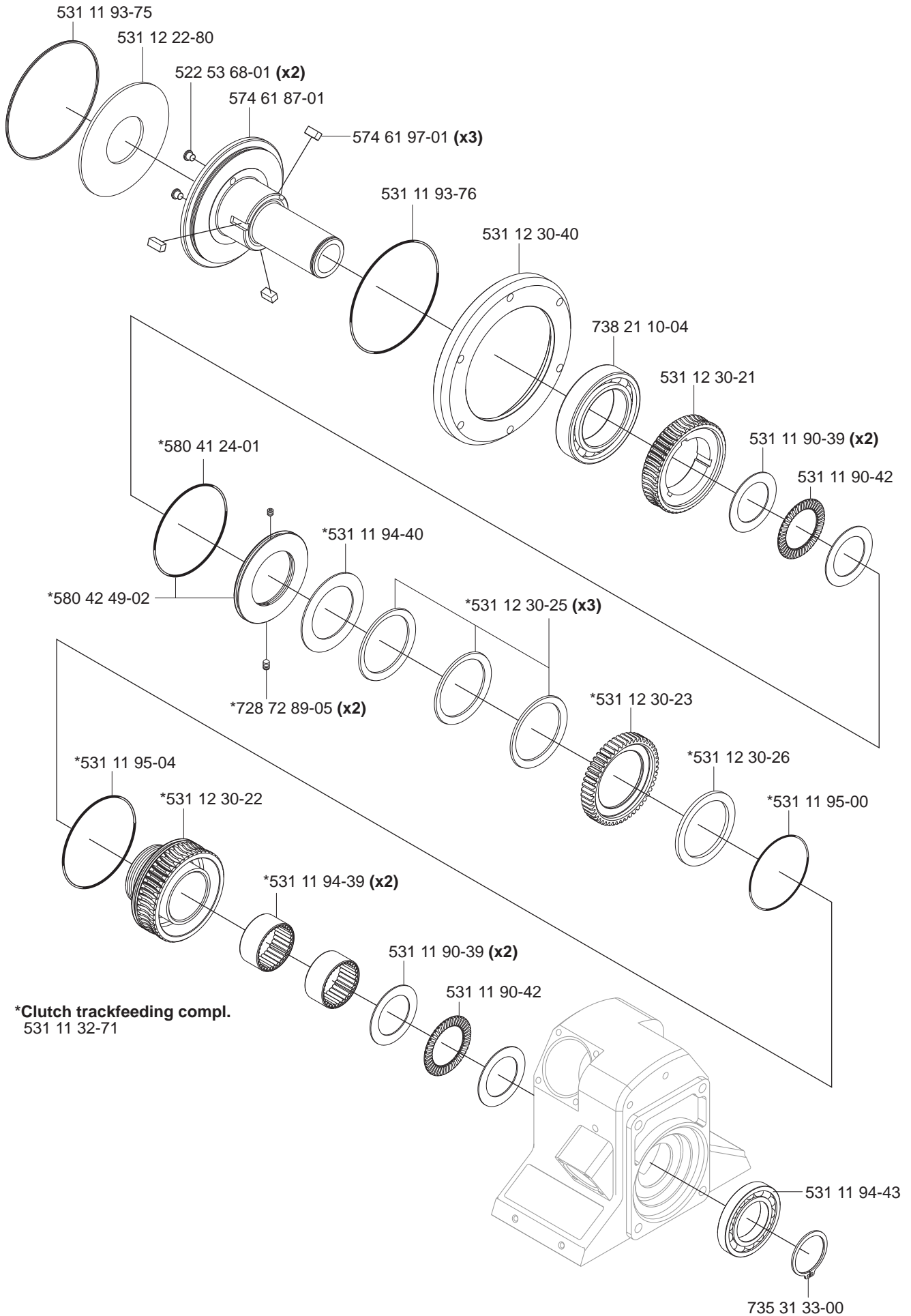


**B** WS 463





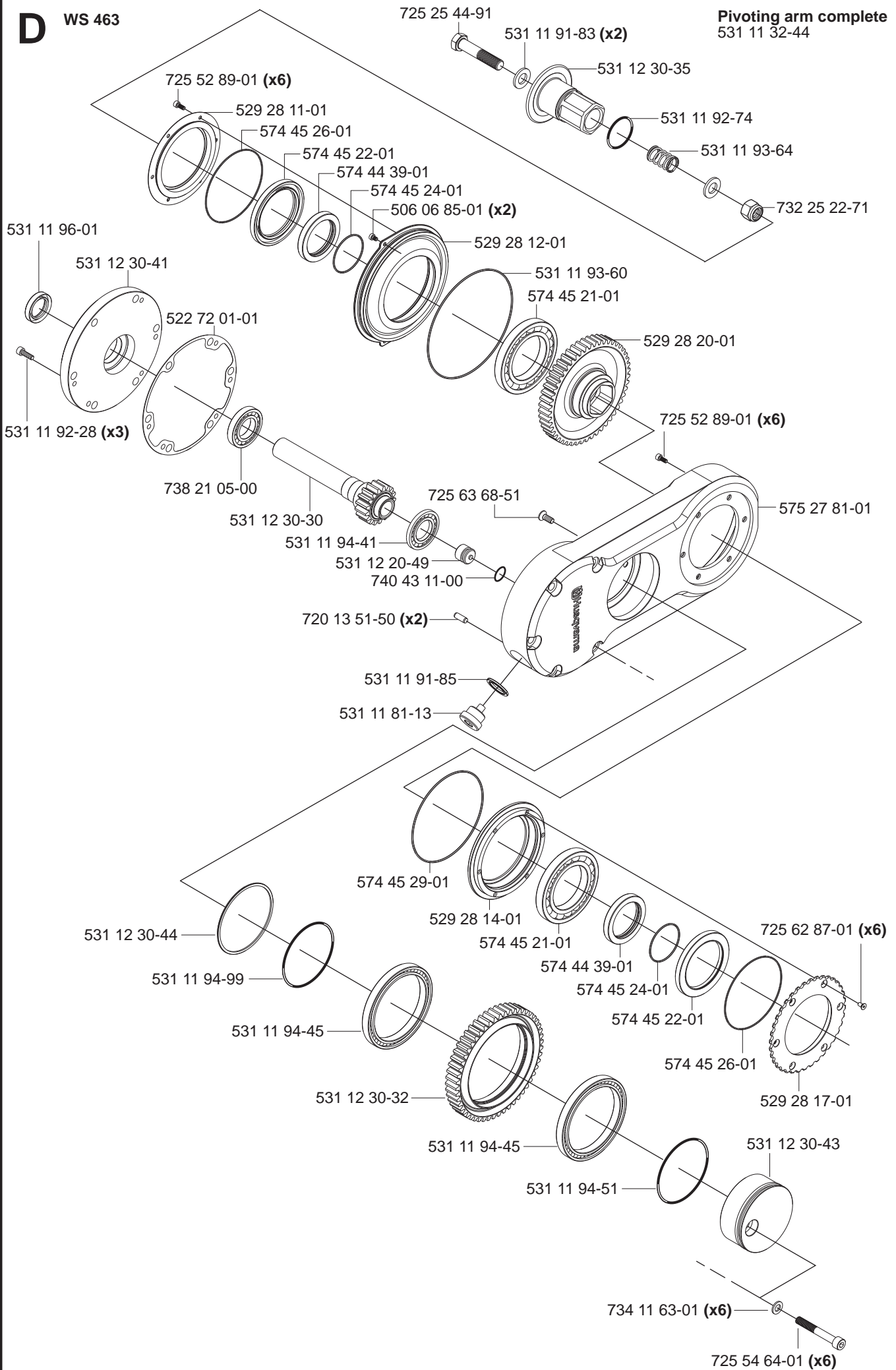
**C** WS 463



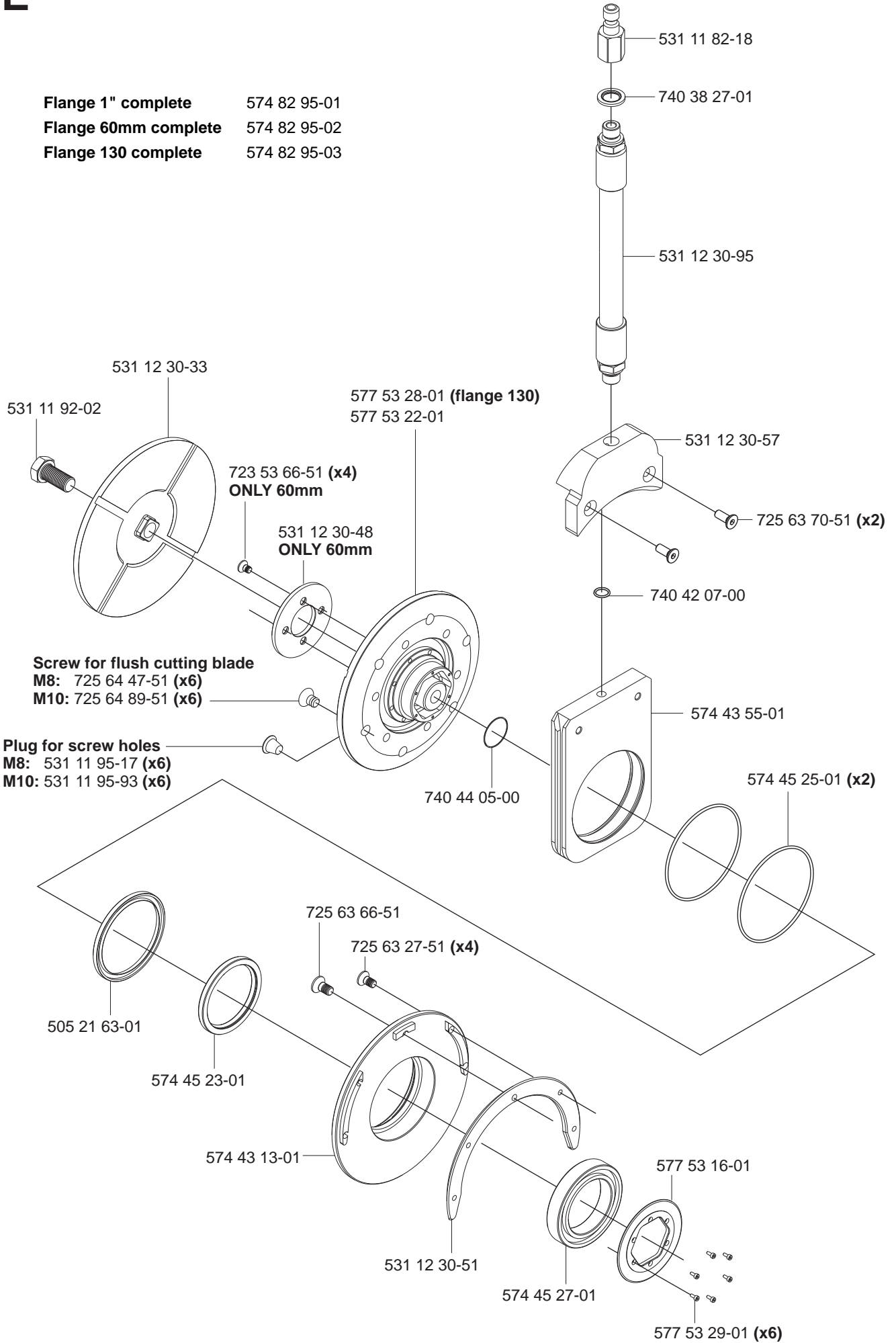
**D**

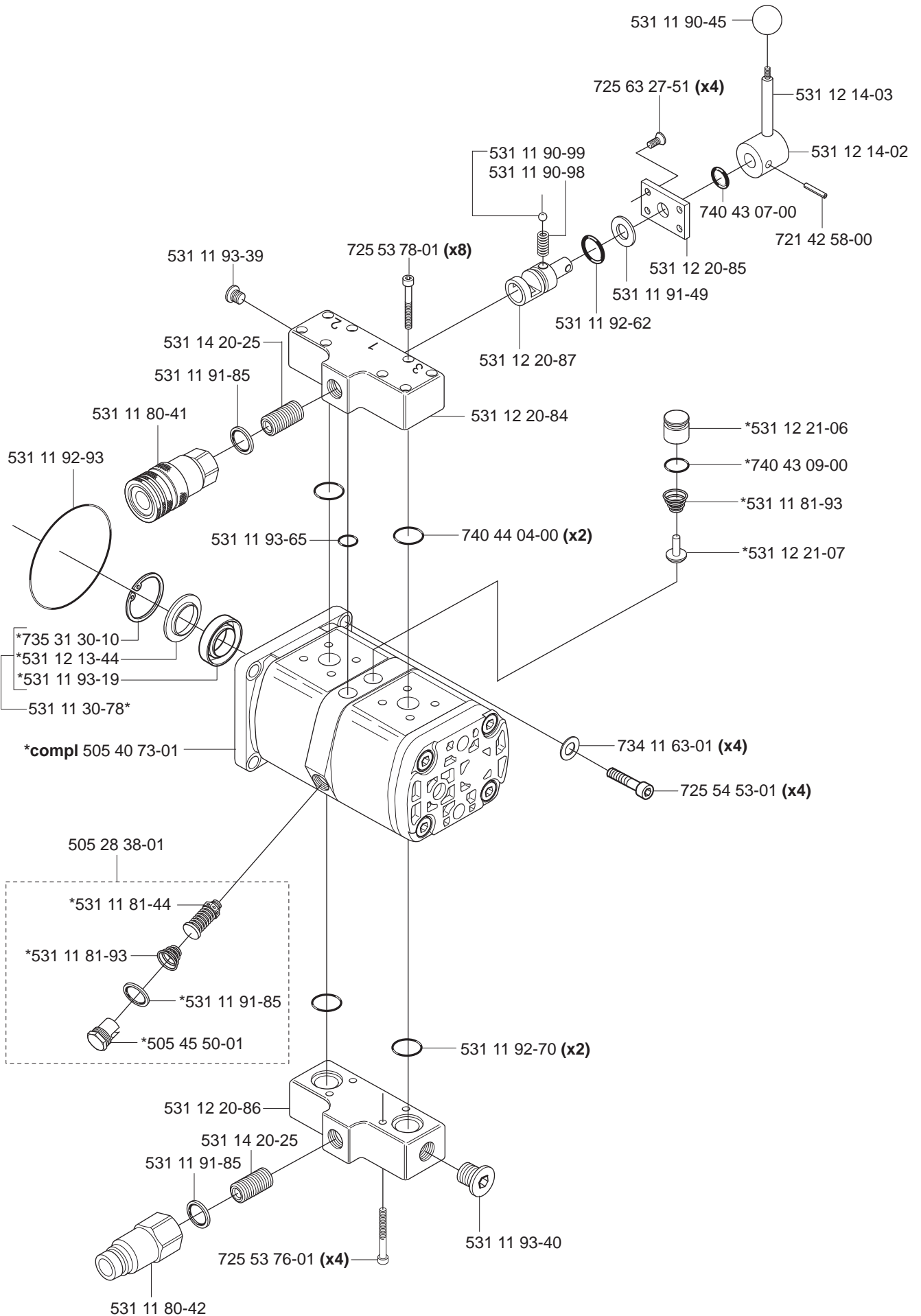
**WS 463**

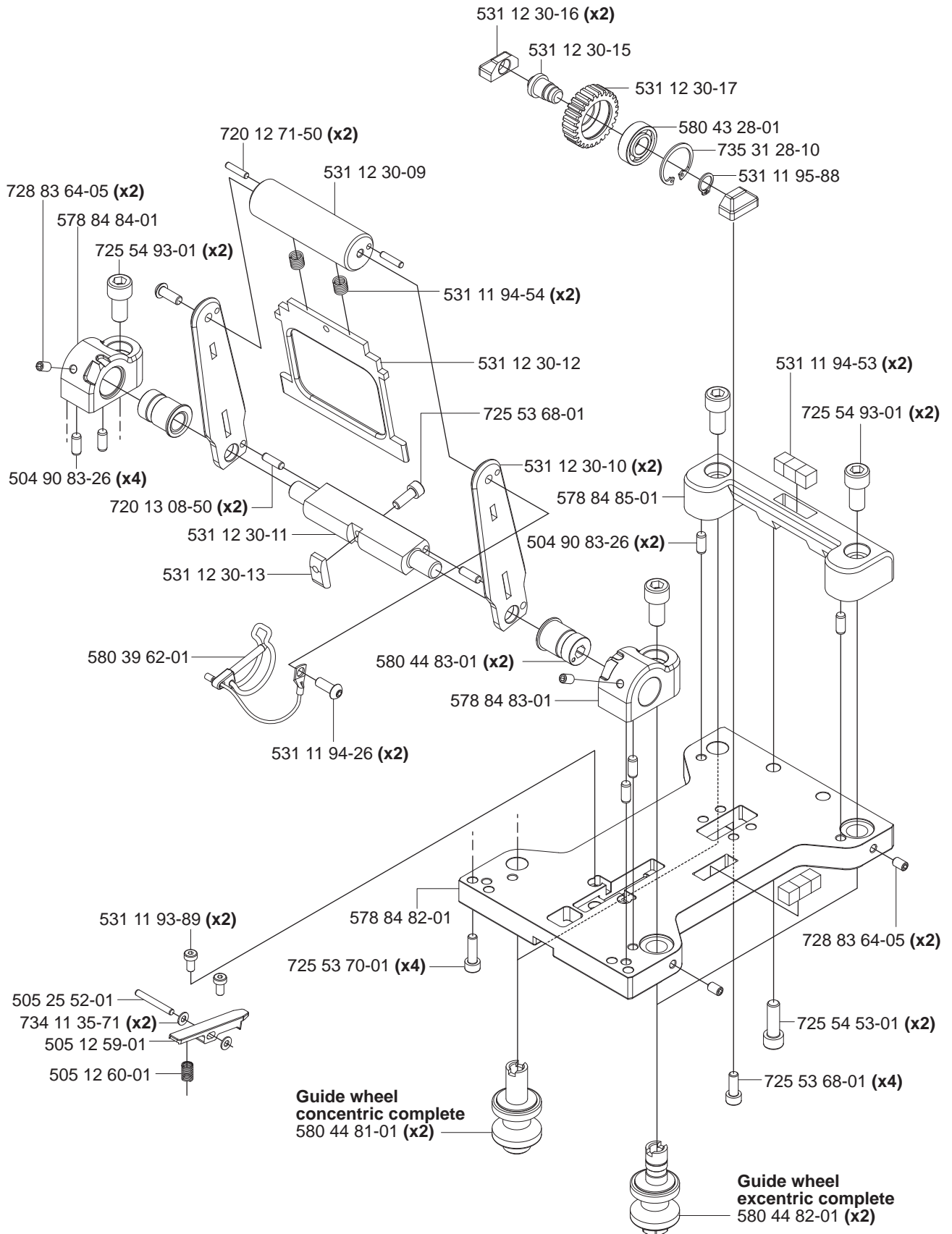
**Pivoting arm complete**  
531 11 32-44



- Flange 1" complete** 574 82 95-01
- Flange 60mm complete** 574 82 95-02
- Flange 130 complete** 574 82 95-03



**F****WS 463****Hydraulic motor complete 531 11 32-55**

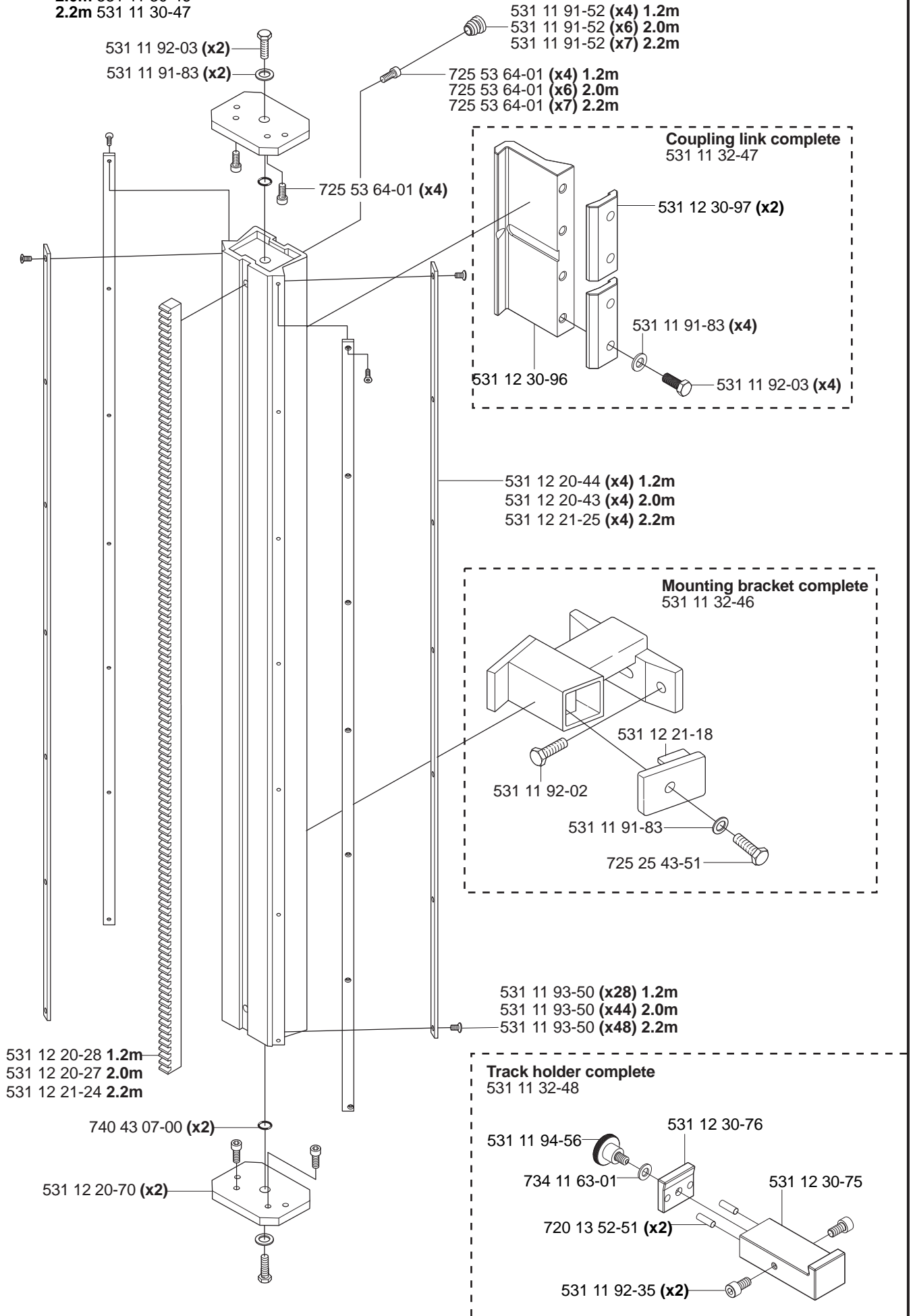
**G****WS 463 Saw carriage 400 complete 505 22 69-03**

**H****WS 463****Track complete**

1.2m 531 11 30-45

2.0m 531 11 30-46

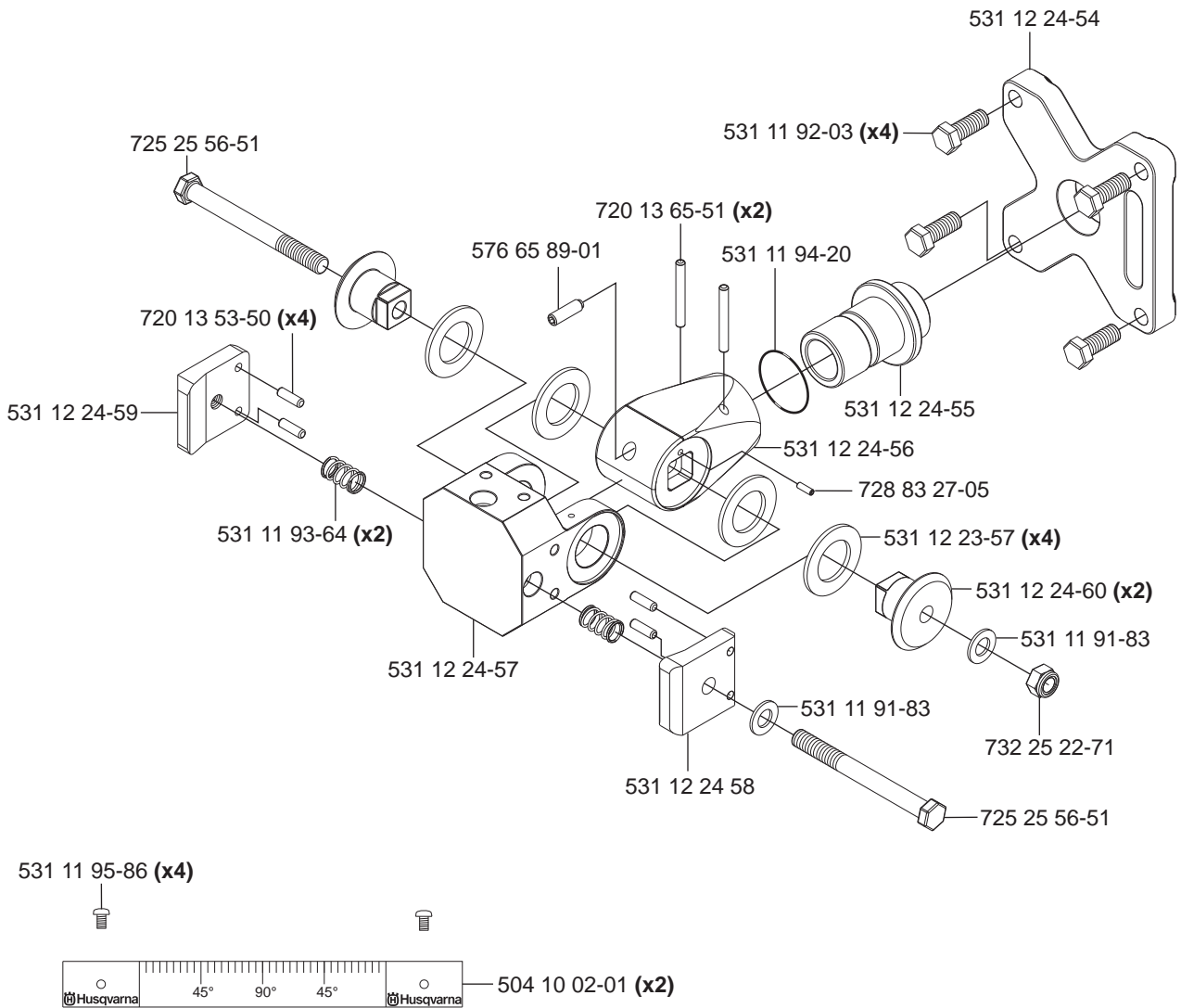
2.2m 531 11 30-47



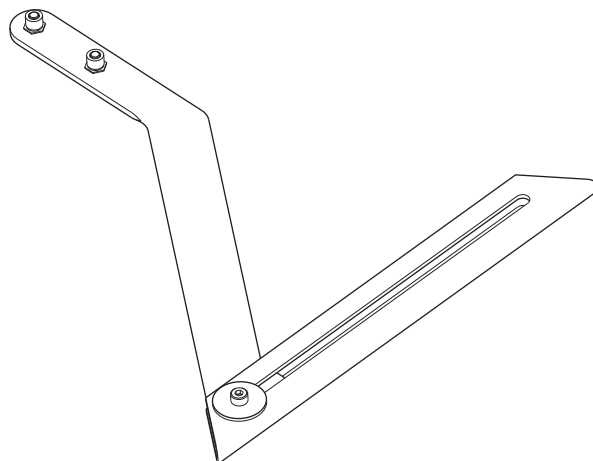
**J****WS 463**

**Tillbehör  
Accessories  
Zubehöre  
Accessoires  
Accesorios**

**Mounting bracket Universal  
compl. 531 11 32-00**



**Measure rod complete 531 11 32-65**

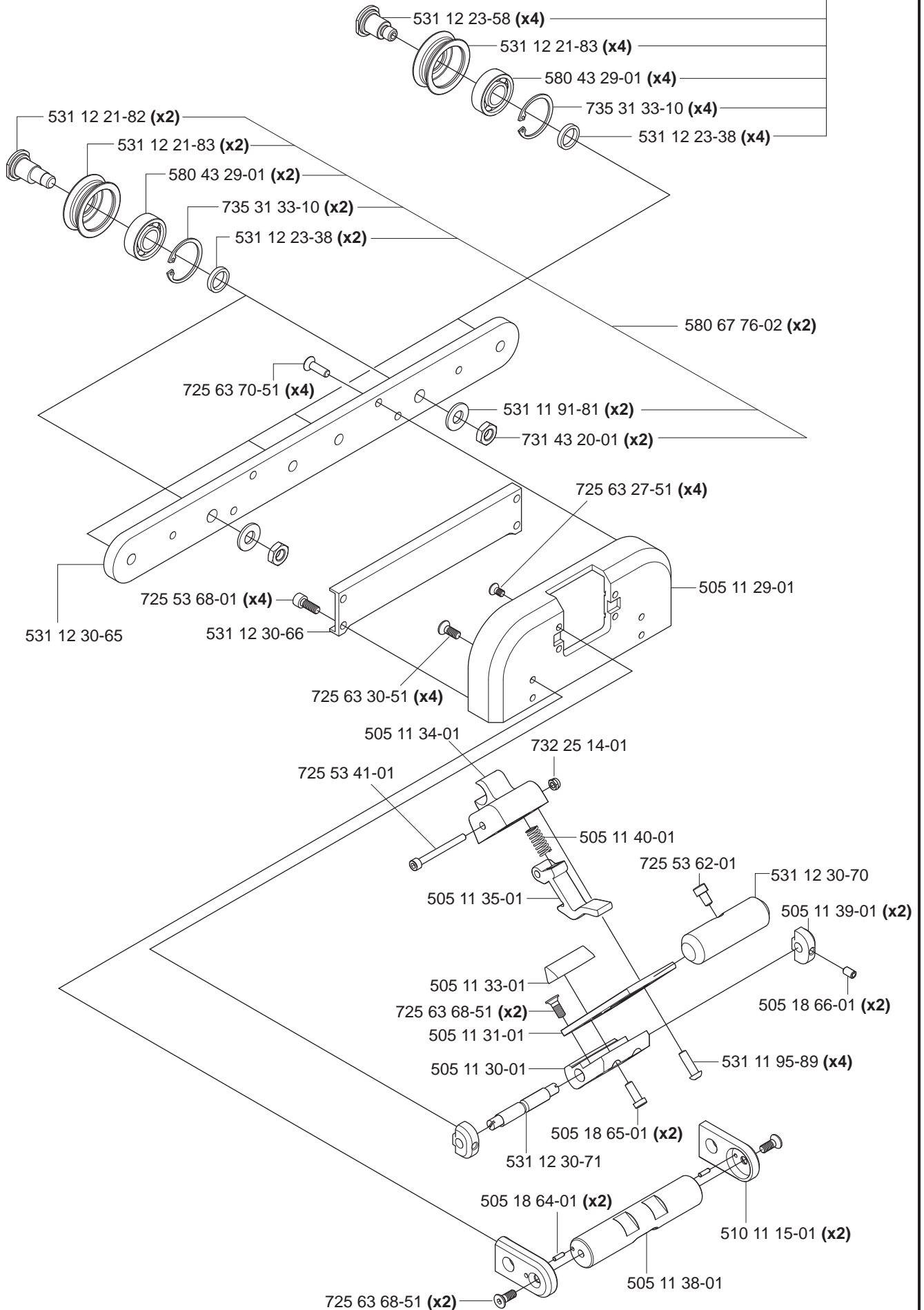


**K**

WS 463

Blade guard guide Complete 580 67 77-01

580 67 76-01 (x4)

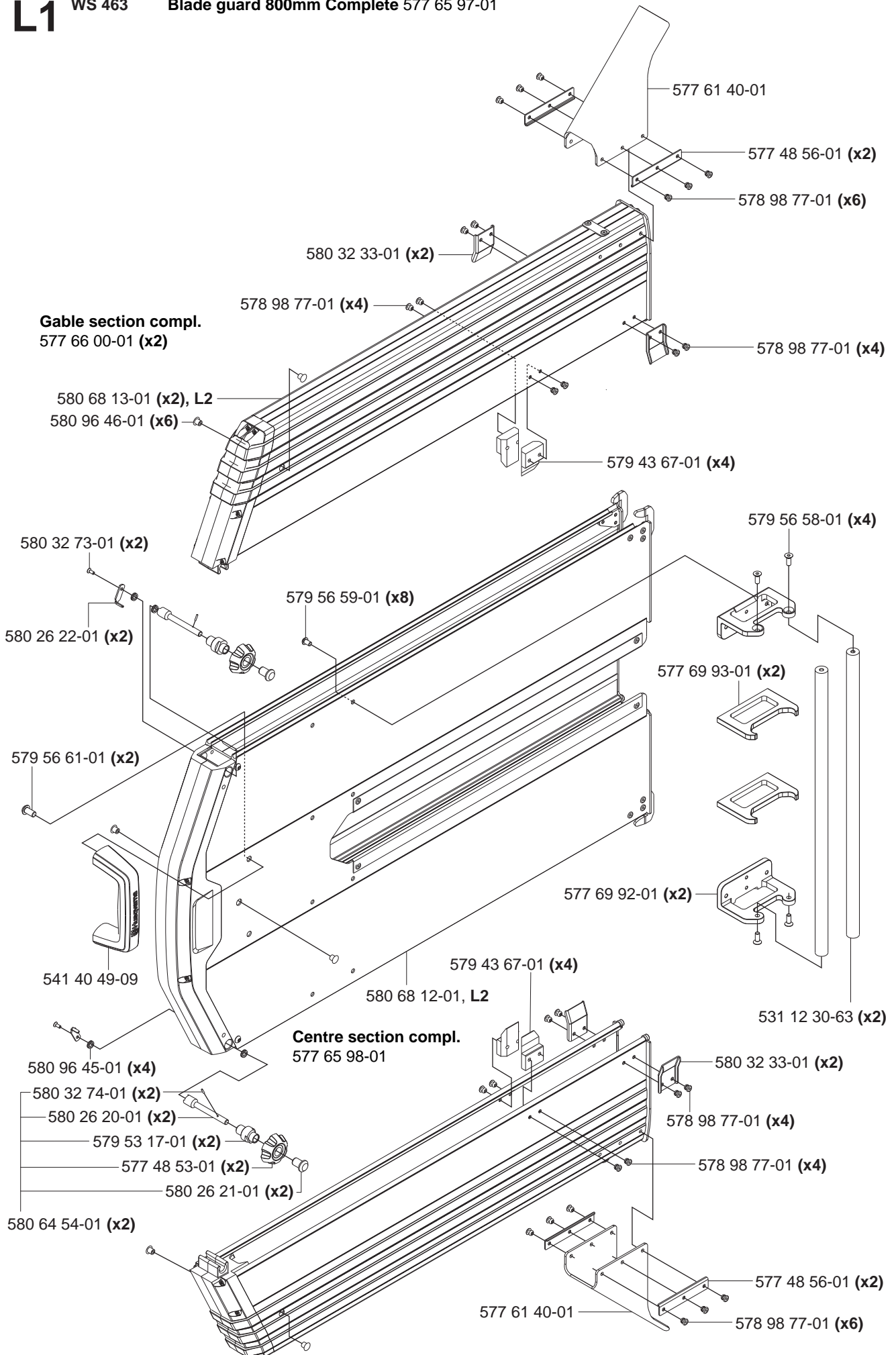




**L1**

WS 463

Blade guard 800mm Complete 577 65 97-01

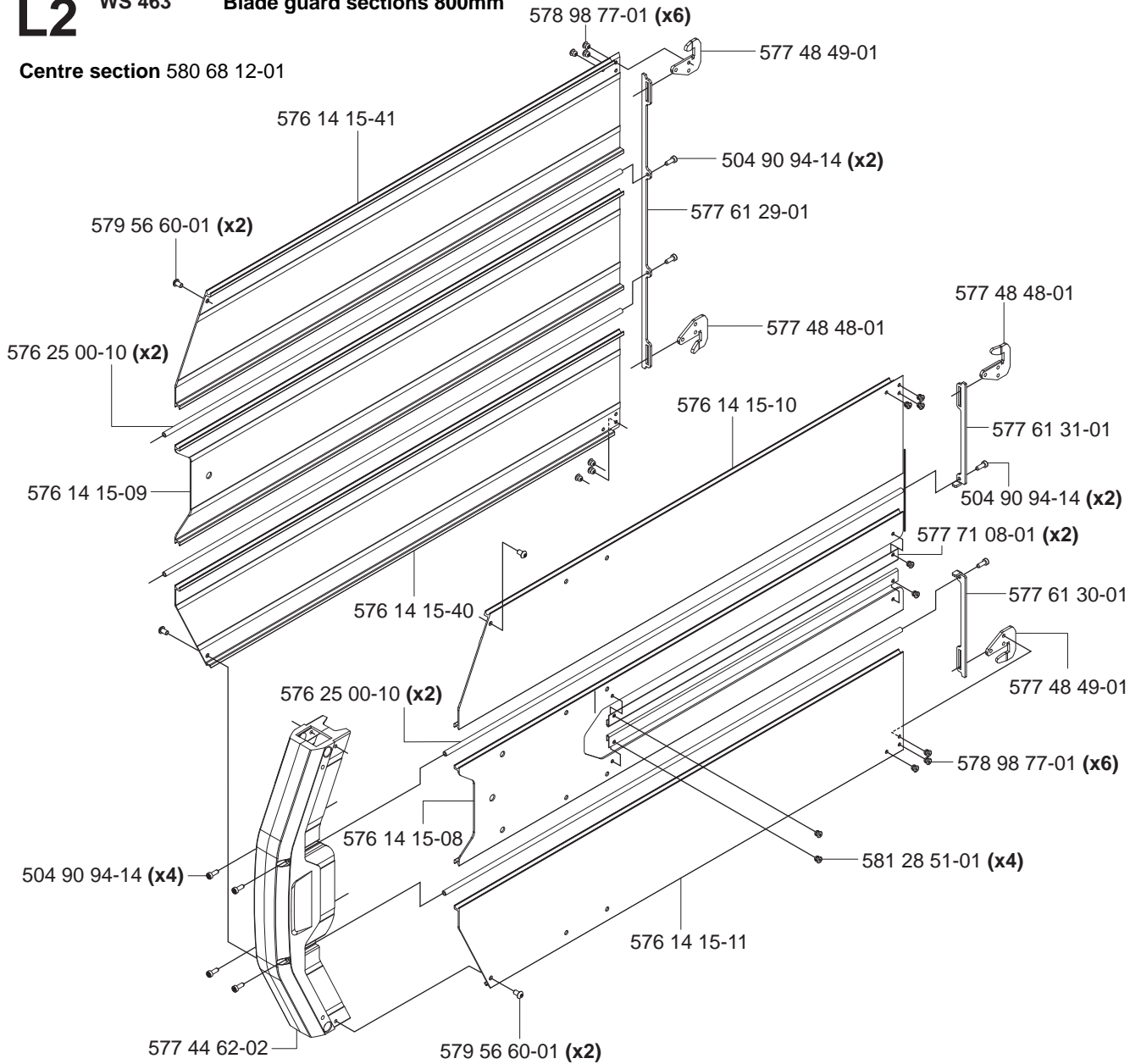


# L2

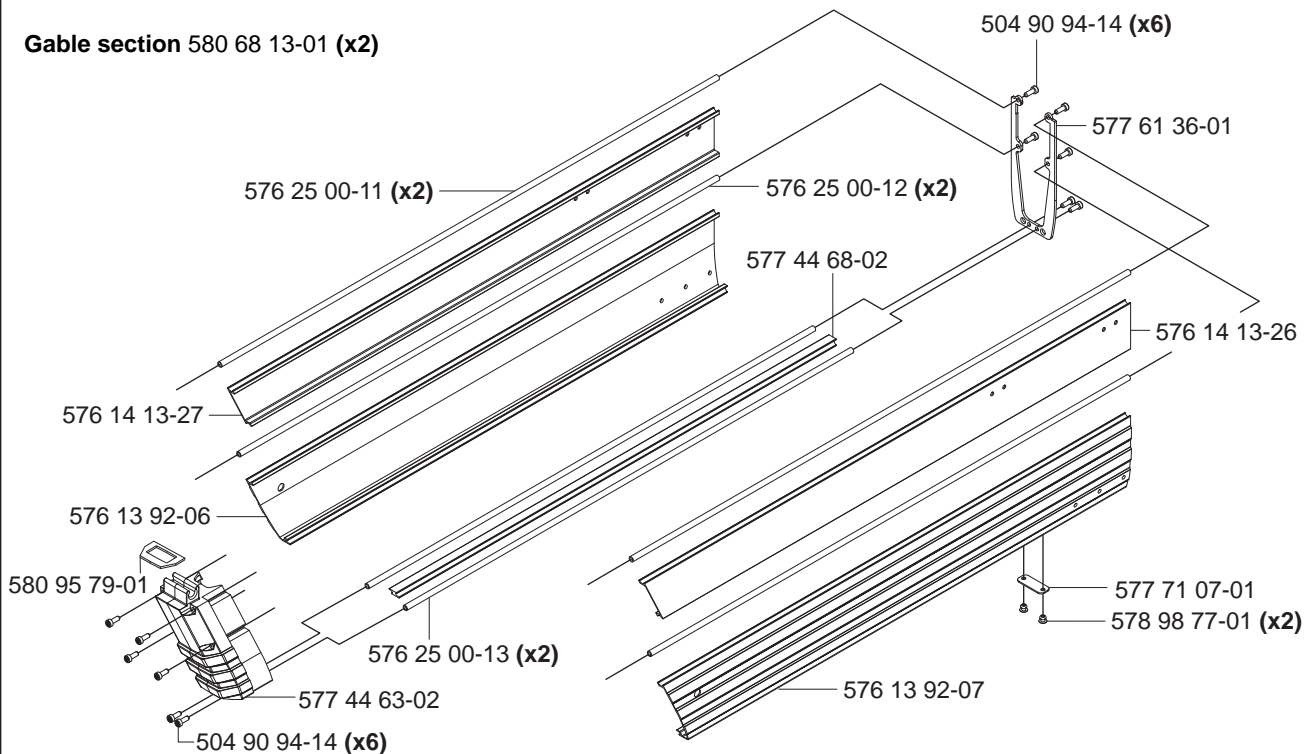
WS 463

Blade guard sections 800mm

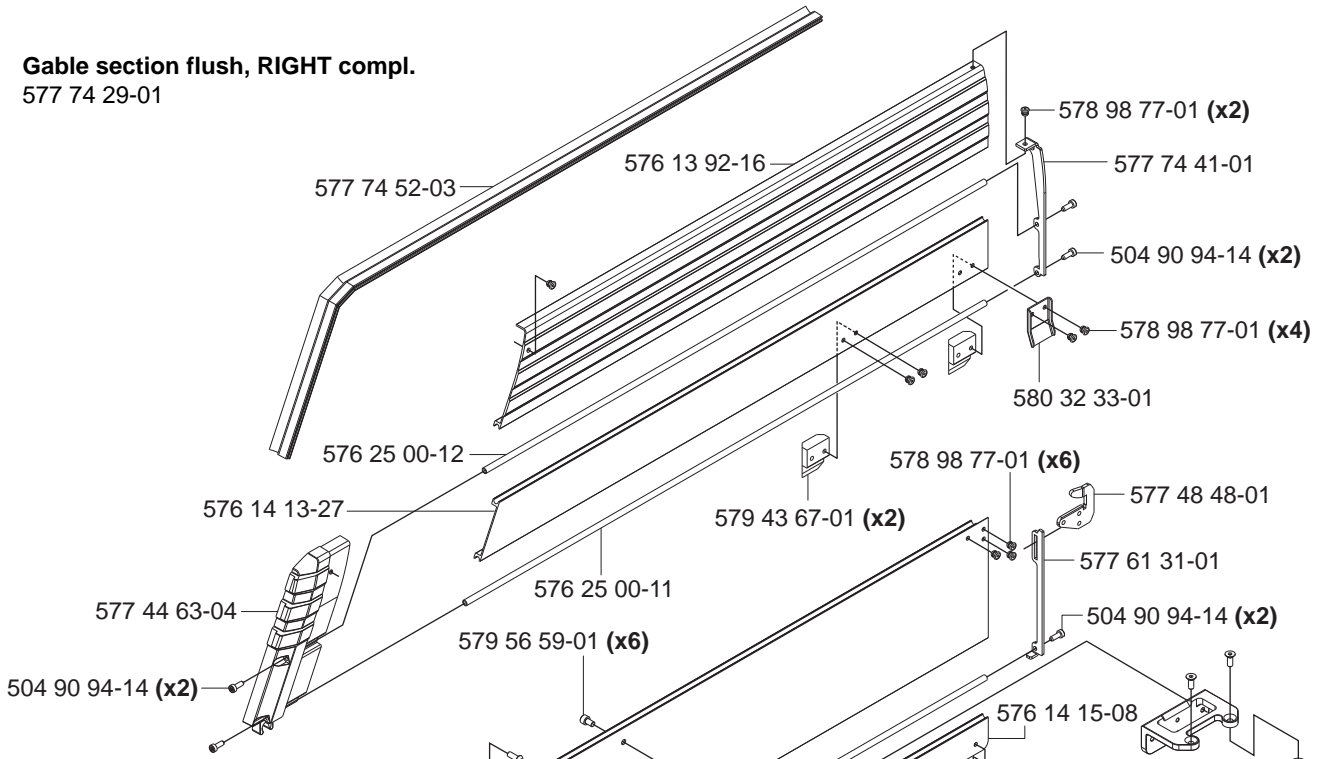
Centre section 580 68 12-01



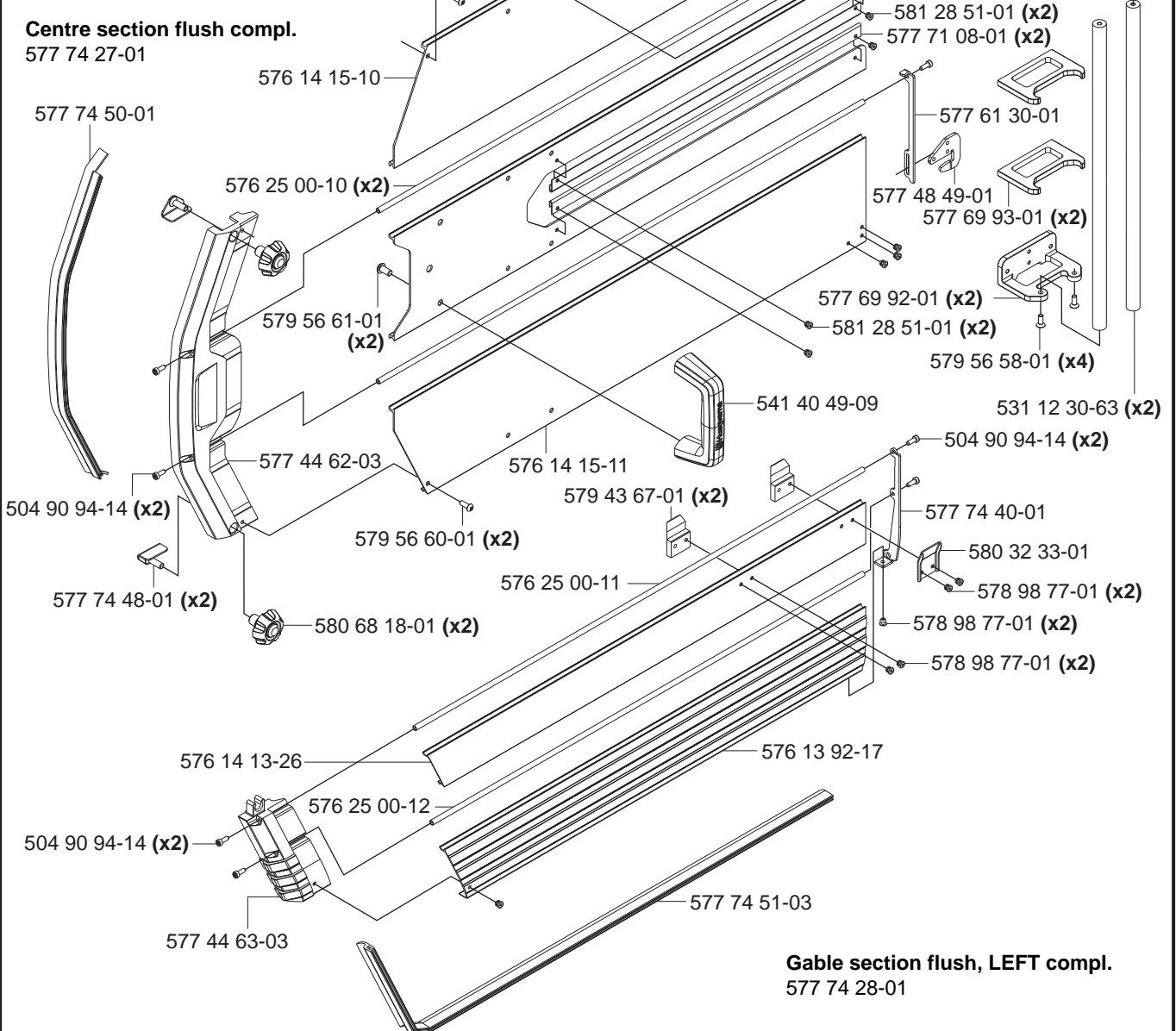
Gable section 580 68 13-01 (x2)



**Gable section flush, RIGHT compl.**  
577 74 29-01



**Centre section flush compl.**  
577 74 27-01

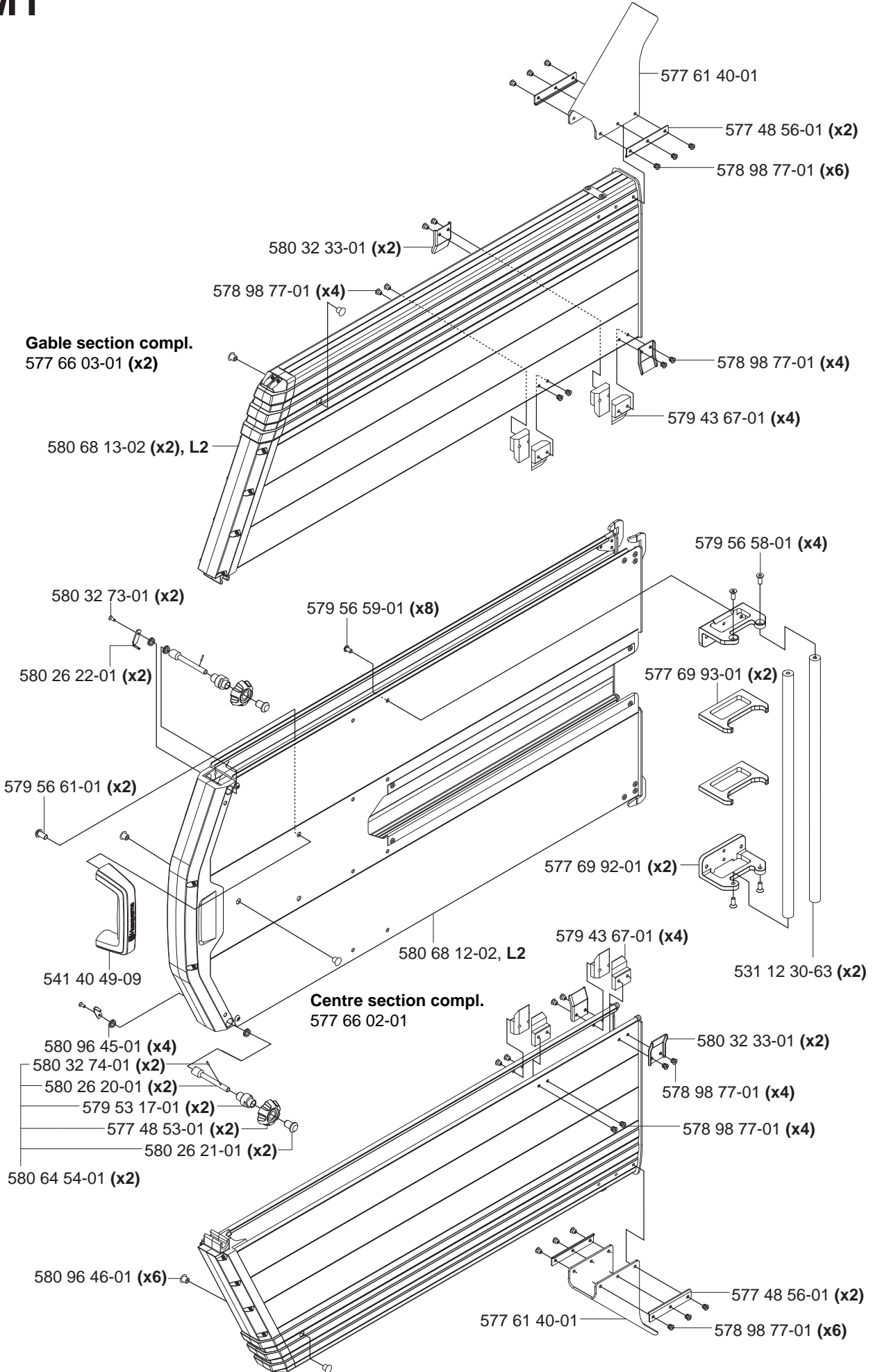


**Gable section flush, LEFT compl.**  
577 74 28-01

# M1

WS 463

Blade guard 1000mm Complete 577 66 01-01

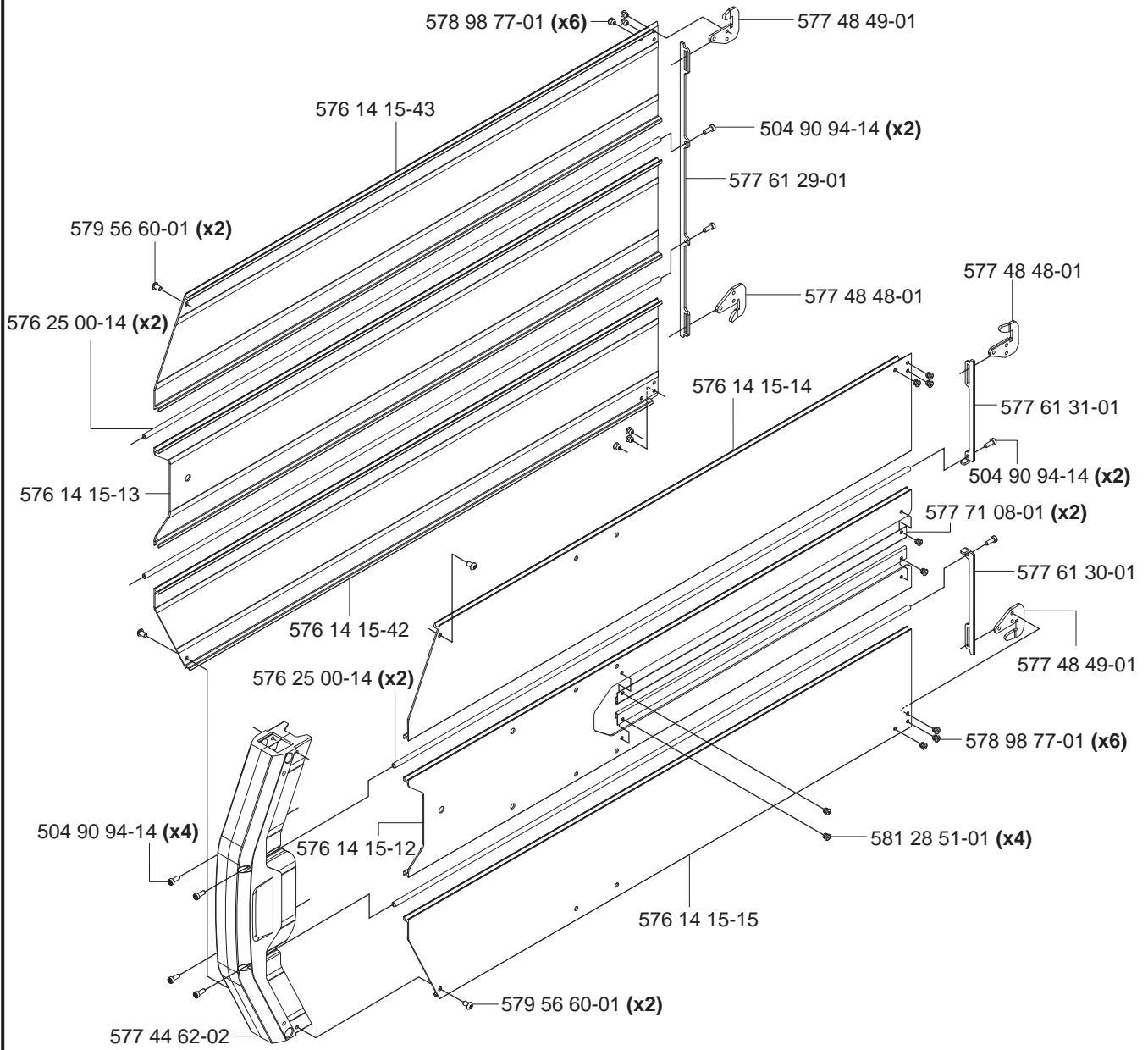


**M2**

WS 463

Blade guard centre section 1000mm

Centre section assy 580 68 12-02

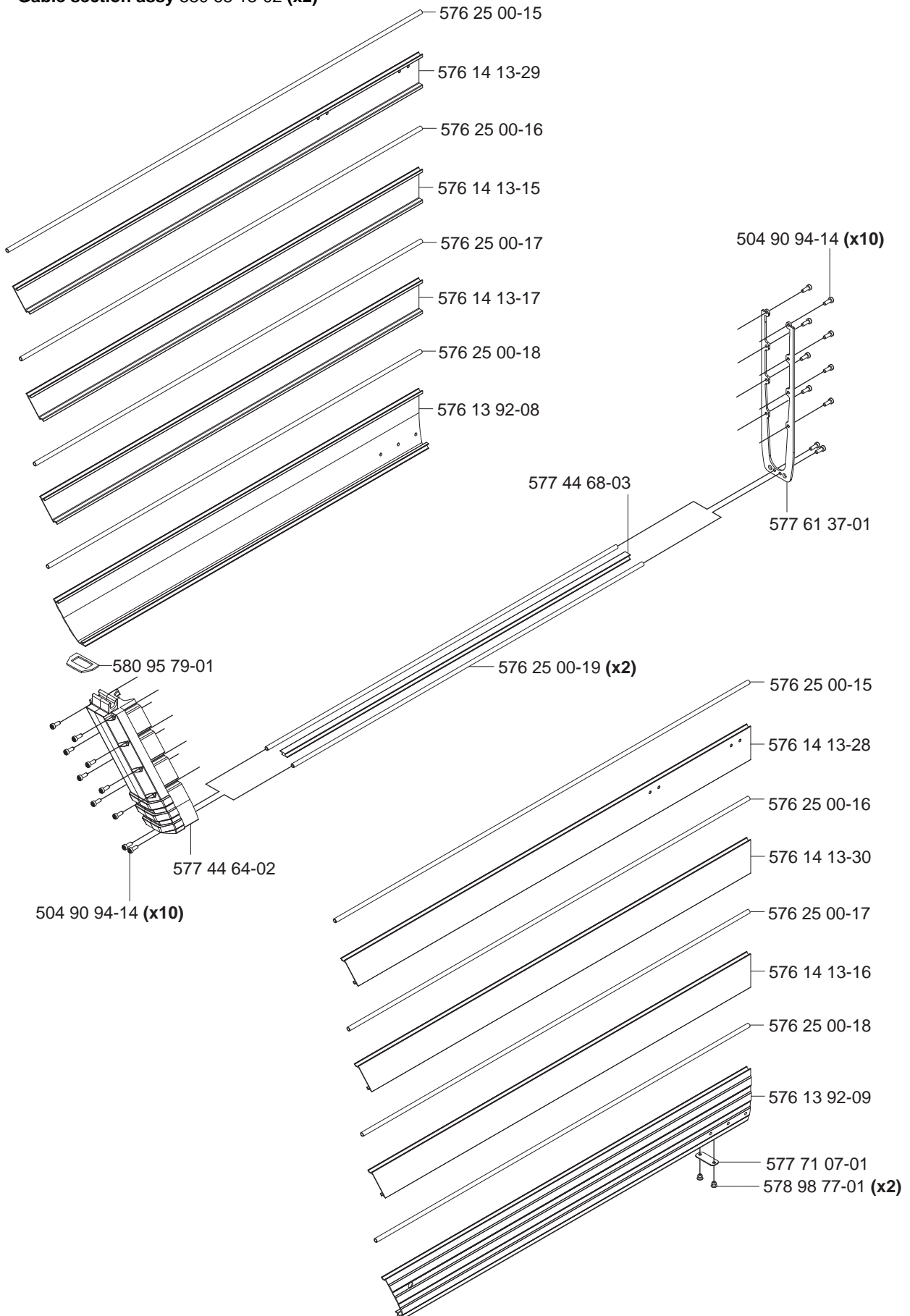


# M3

WS 463

Blade guard gable section 1000mm

## Gable section assy 580 68 13-02 (x2)

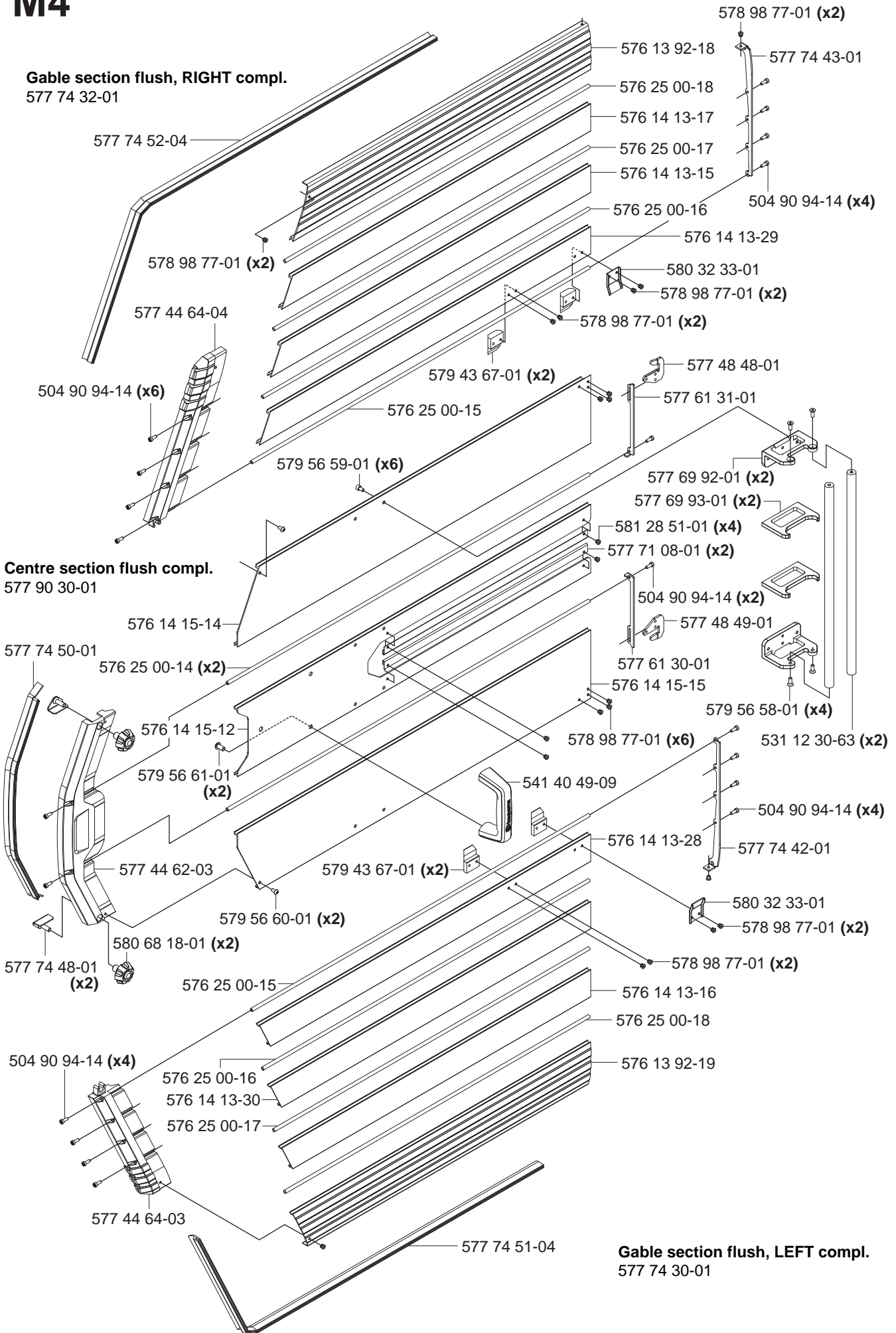


# M4

WS 463

Flush blade guard 1000mm complete 577 74 24-01

**Gable section flush, RIGHT compl.**  
577 74 32-01



**Gable section flush, LEFT compl.**  
577 74 30-01

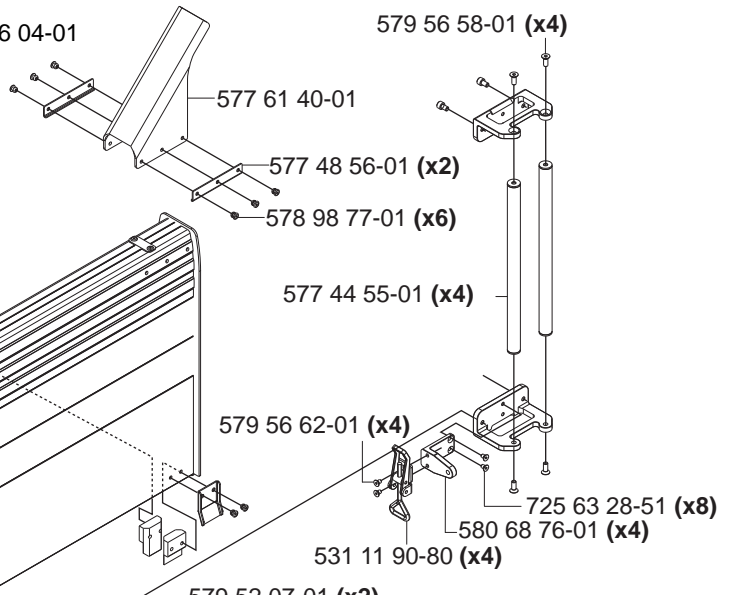
# N1

WS 463

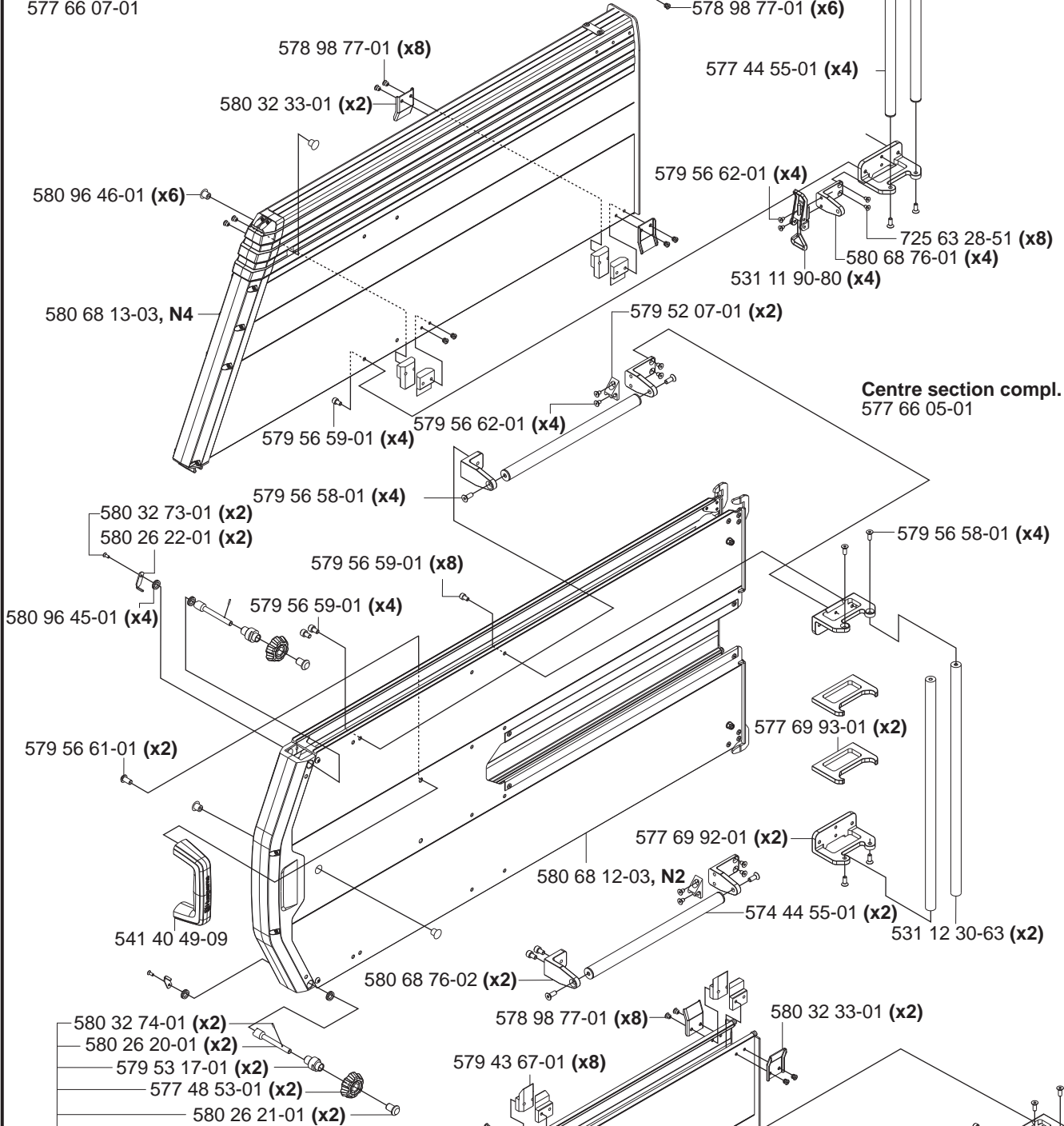
Blade guard 1200 mm 577 66 04-01

579 56 58-01 (x4)

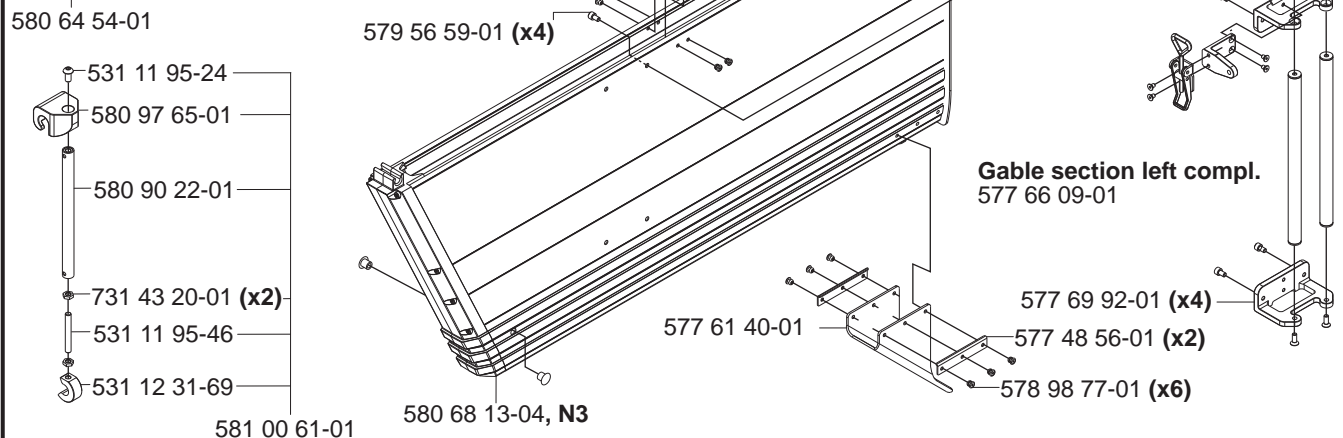
**Gable section right compl.**  
577 66 07-01



**Centre section compl.**  
577 66 05-01



**Gable section left compl.**  
577 66 09-01



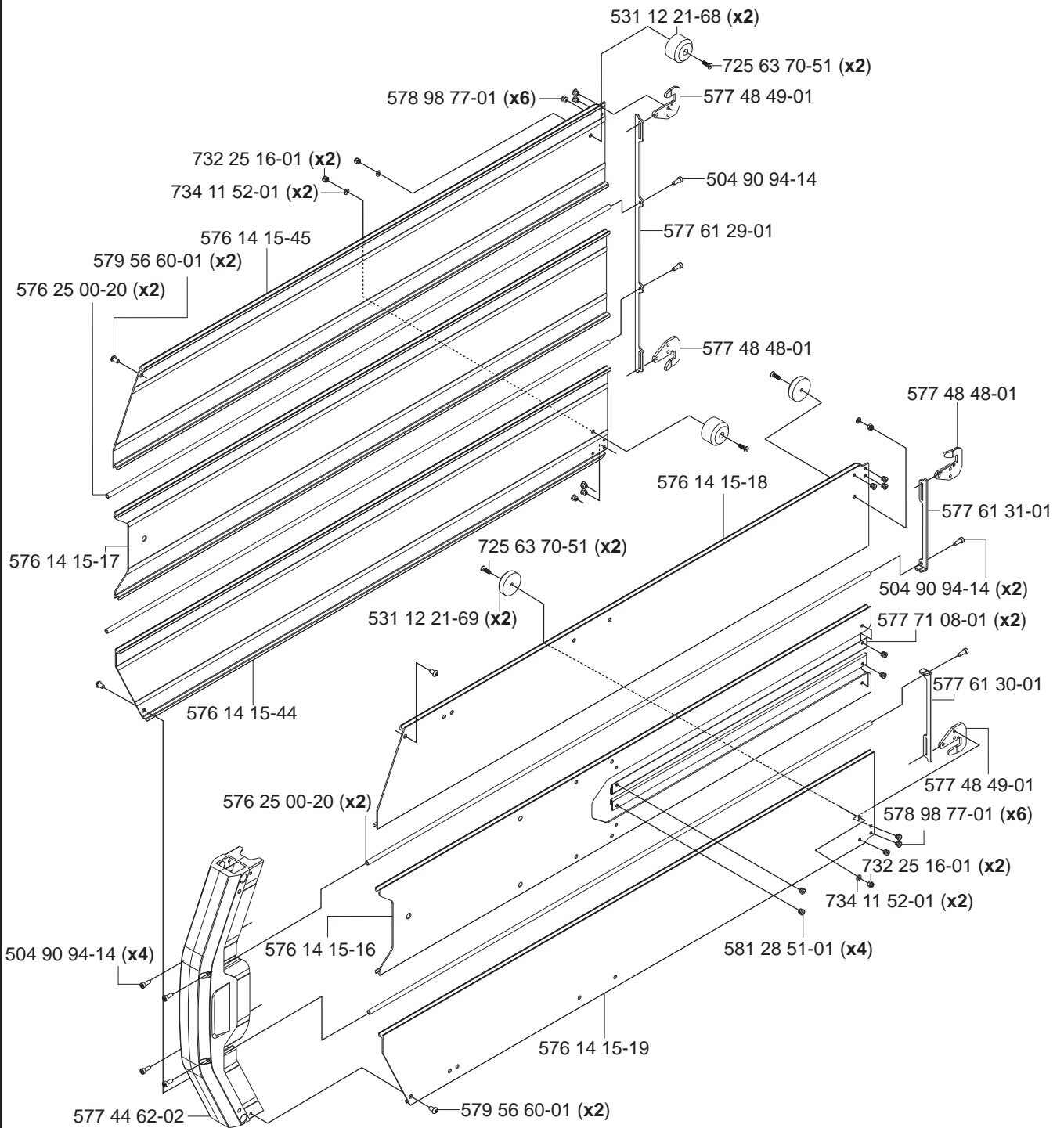


# N2

WS 463

Blade guard centre section 1200 mm

Centre section assy 580 68 12-03

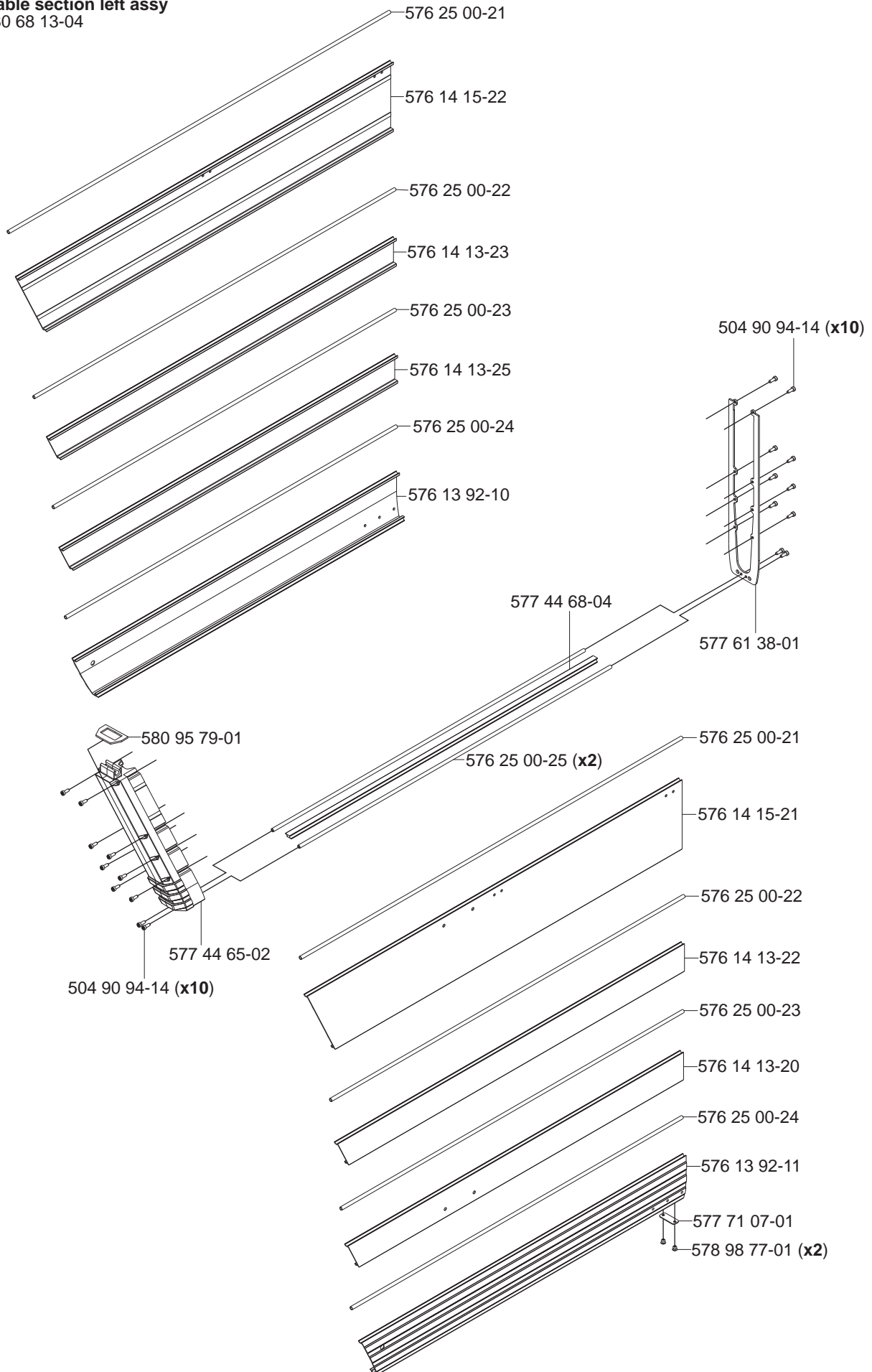


# N3

WS 463

Blade guard gable section left 1200 mm

Gable section left assy  
580 68 13-04

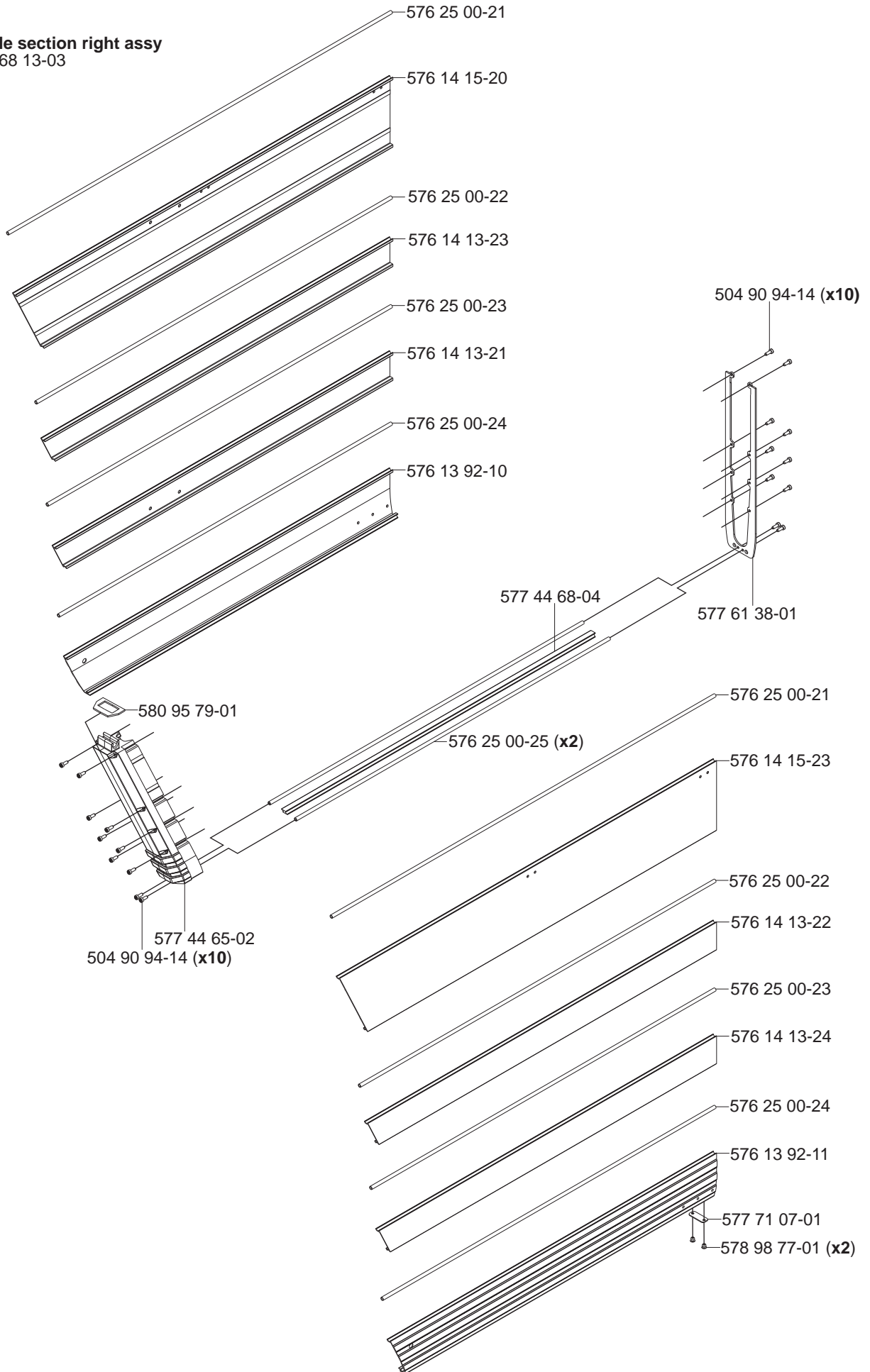


N4

WS 463

Blade guard gable section right 1200 mm

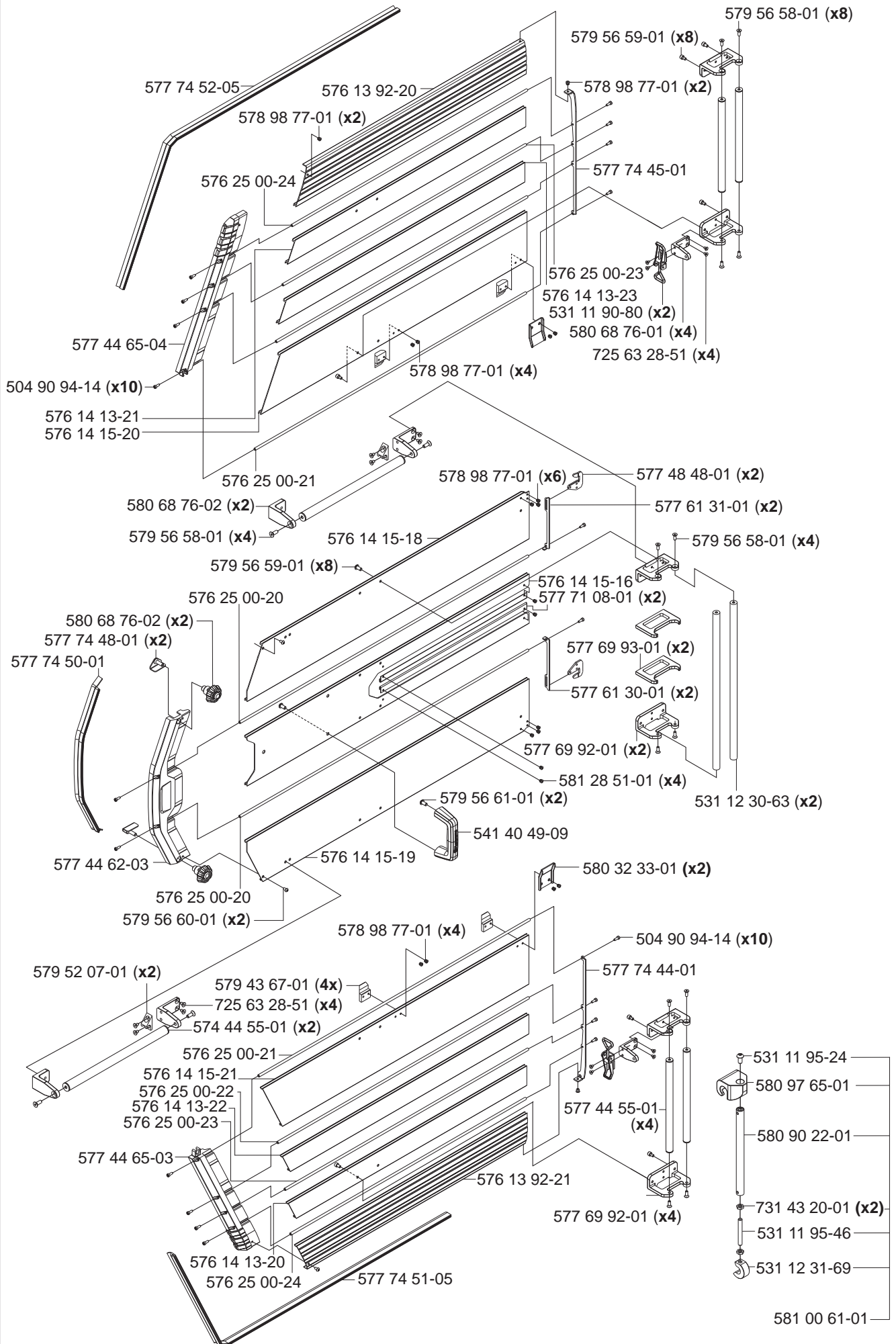
Gable section right assy  
580 68 13-03



# N5

WS 463

Flush blade guard 1200 mm 577 74 25-01

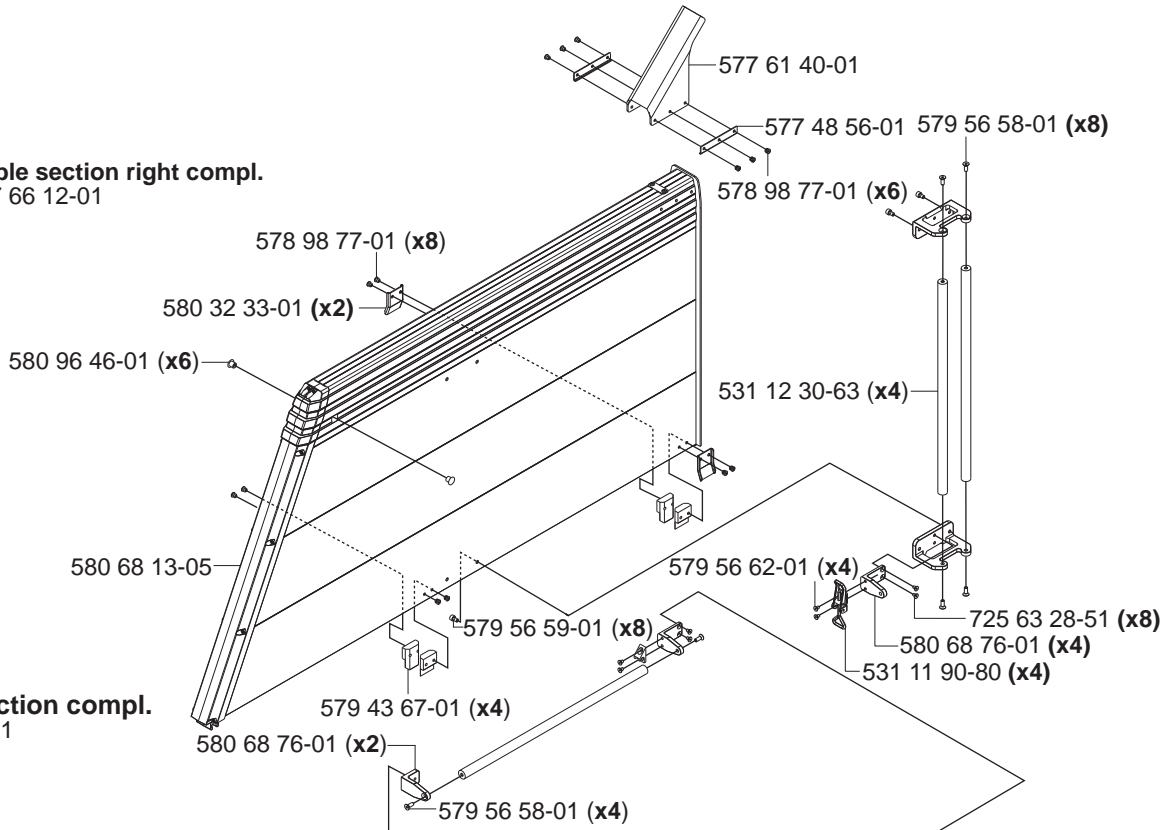


# 01

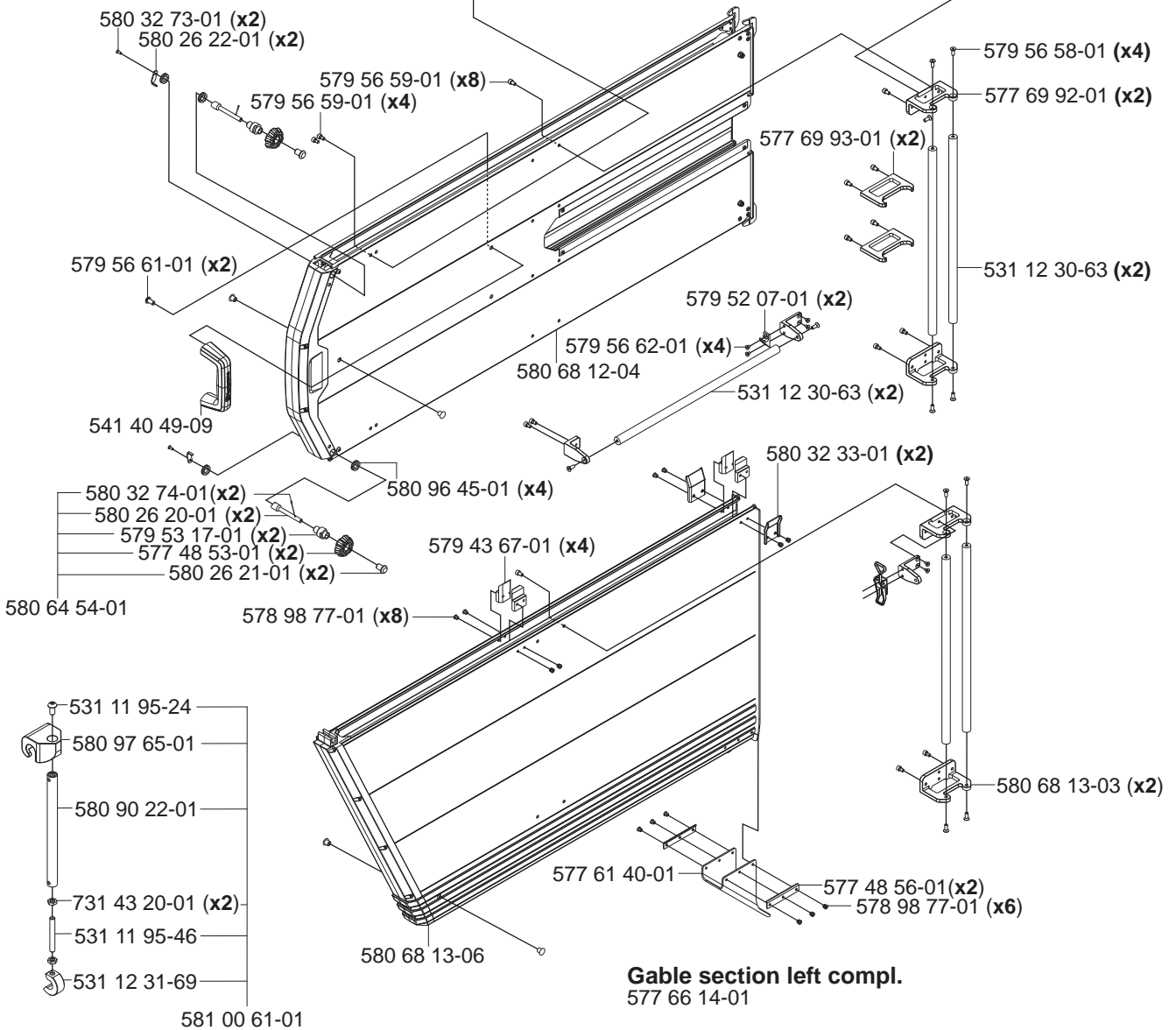
WS 463

Blade guard 1600 mm 577 66 10-01

**Gable section right compl.**  
577 66 12-01

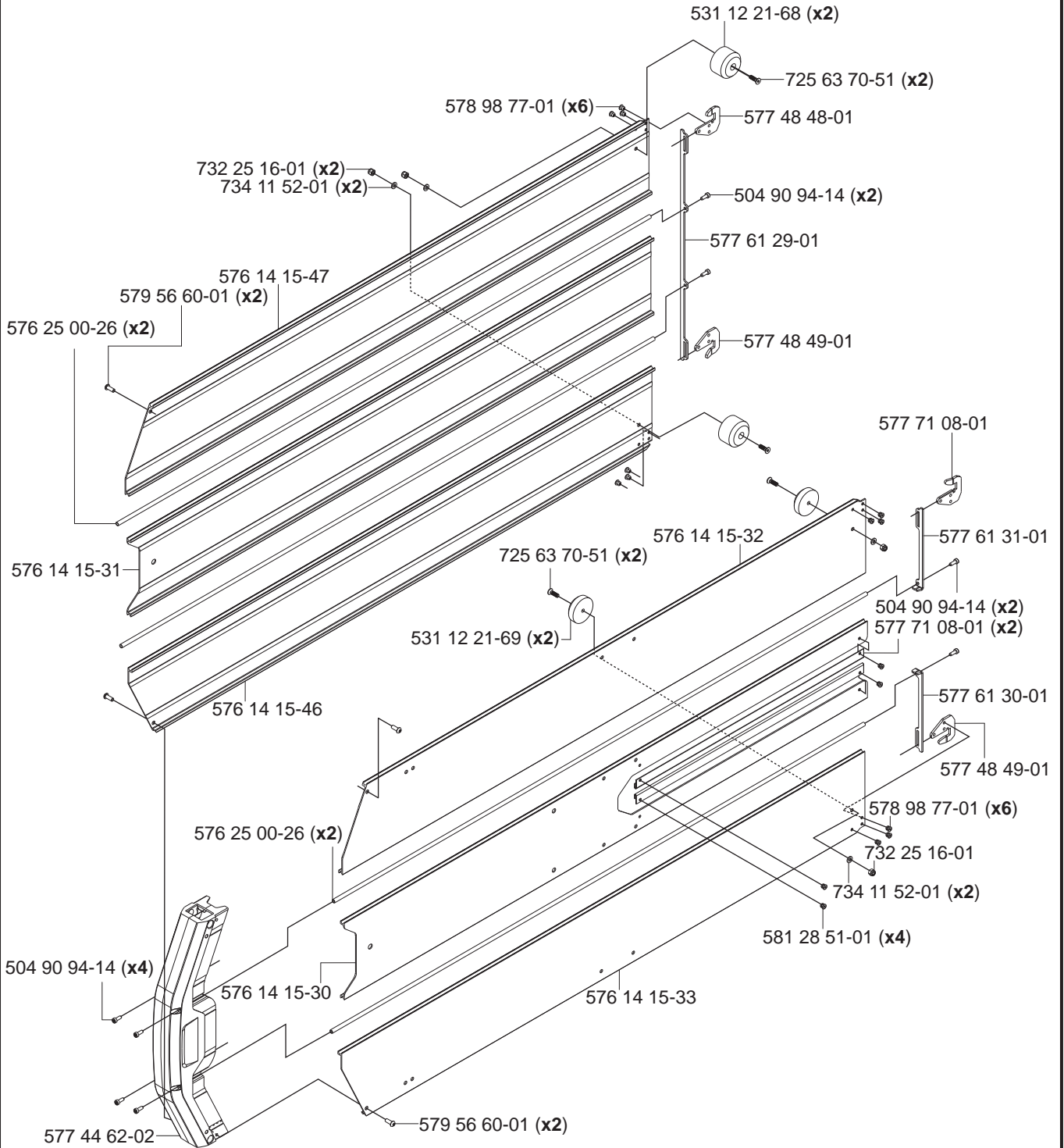


**Centre section compl.**  
577 66 11-01



**Gable section left compl.**  
577 66 14-01

## Centre section assy 580 68 12-04

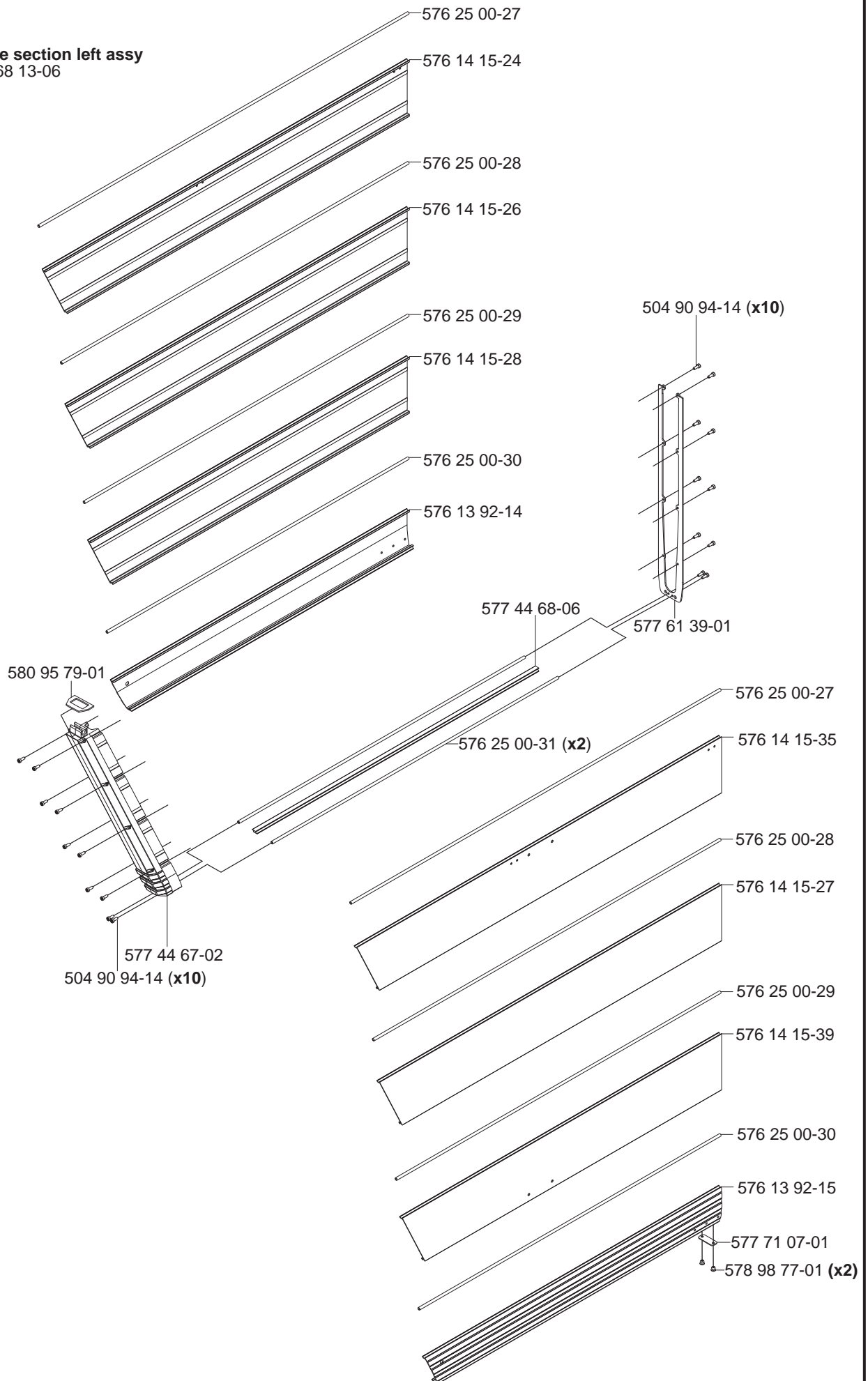


# O3

WS 463

Blade guard gable section left 1600 mm

Gable section left assy  
580 68 13-06

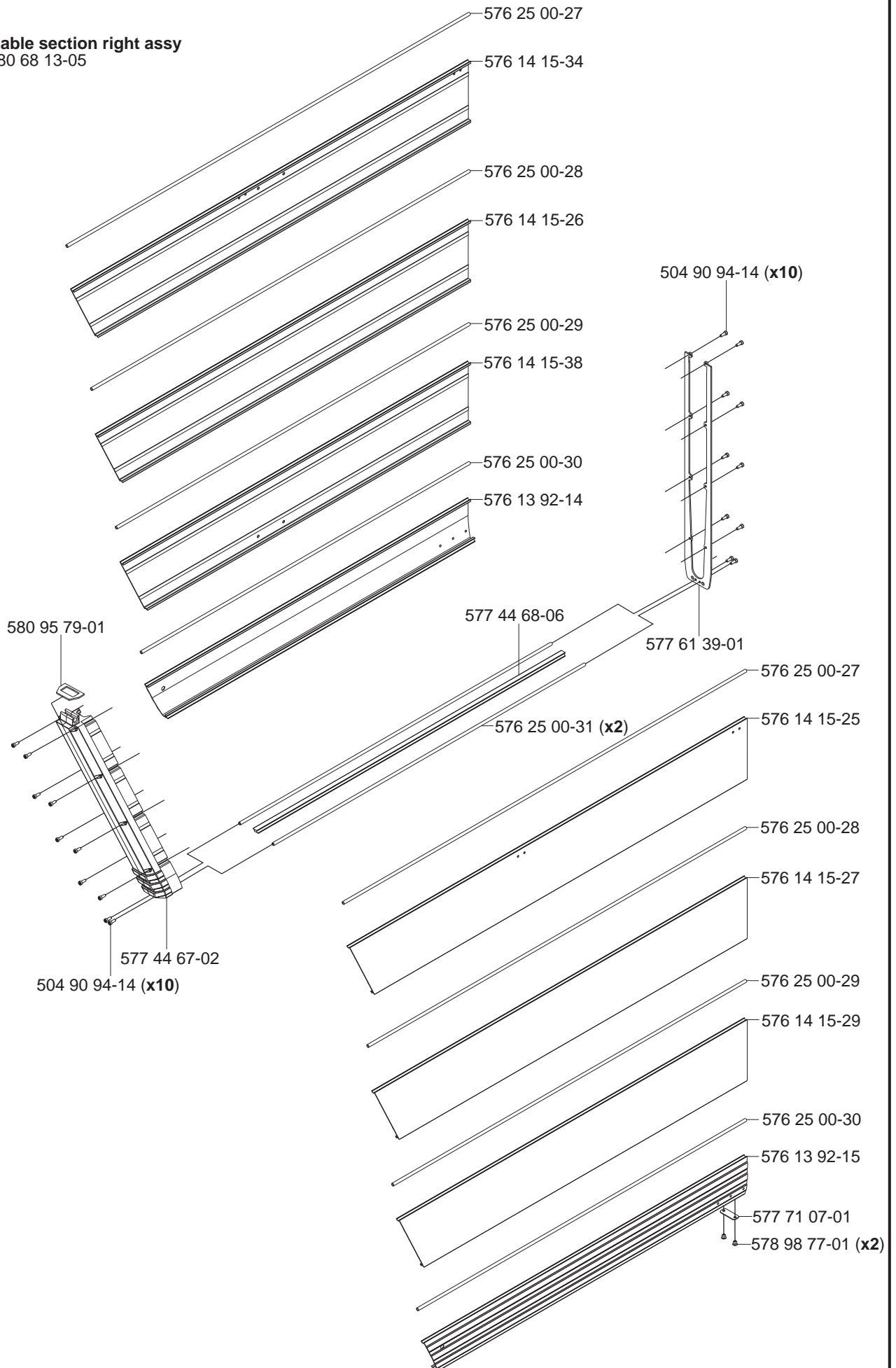


# O4

WS 463

## Blade guard gable section right 1600 mm

**Gable section right assy**  
580 68 13-05



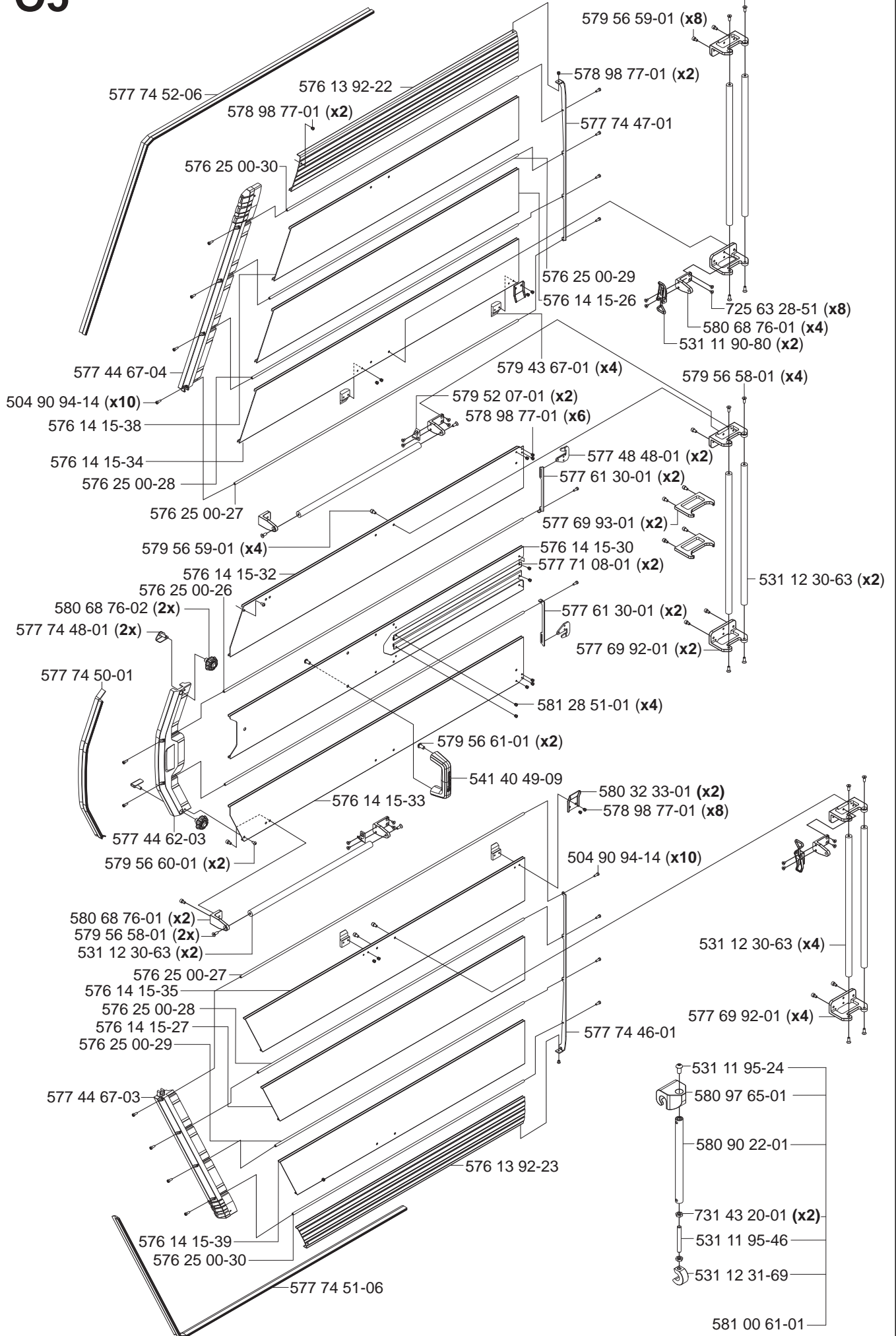


**05**

WS 463

Flush blade guard 1600 mm 577 74 26-01

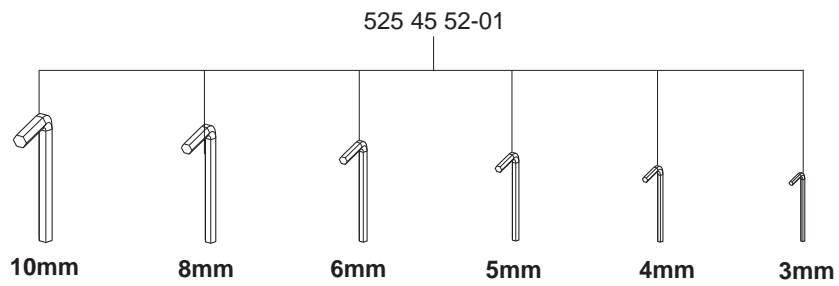
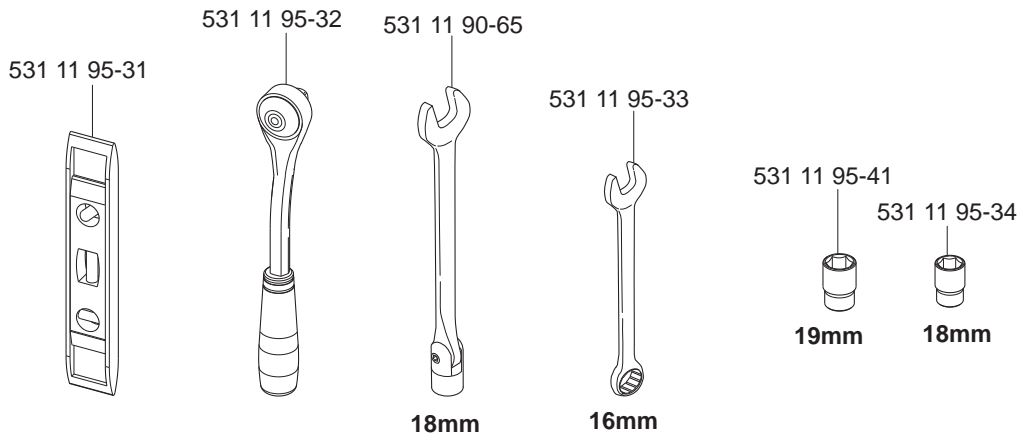
579 56 58-01 (x8)



**P**

WS 463

Toolkit compl 501 37 52-01



522 82 77-01



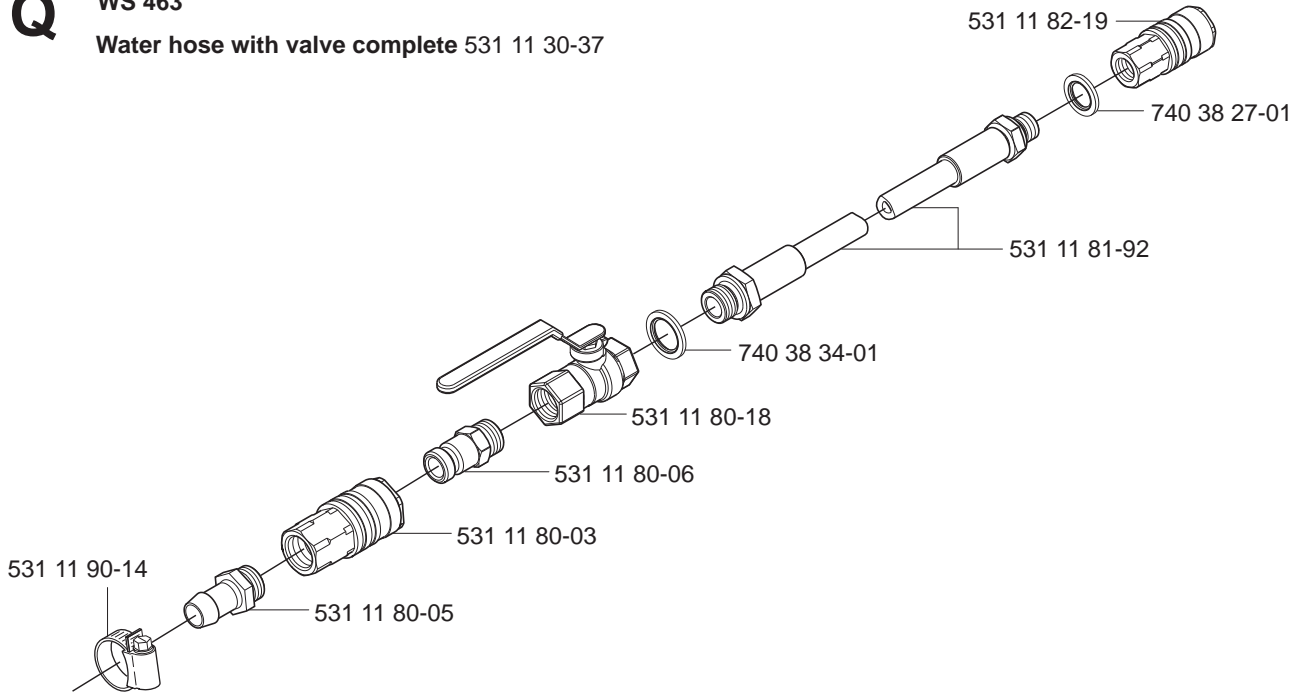
531 11 91-08



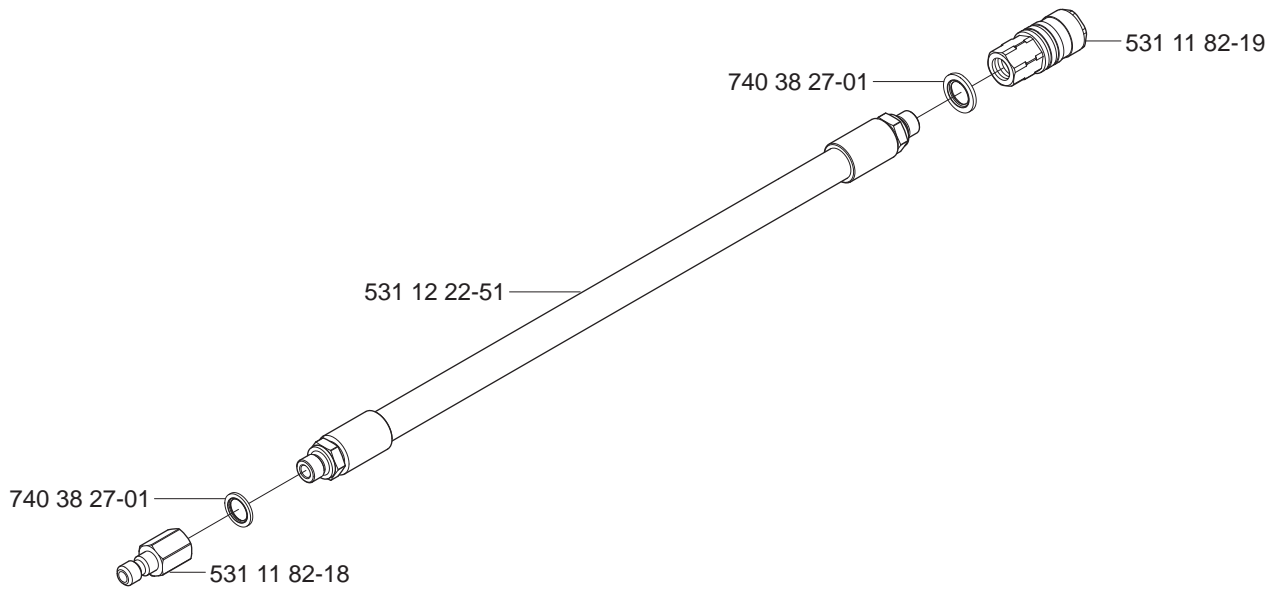
**Q**

**WS 463**

**Water hose with valve complete 531 11 30-37**



**WS 463 Wear hose, water complete 531 11 33-43**



**Cleanig brush complete 531 11 32-68**

