



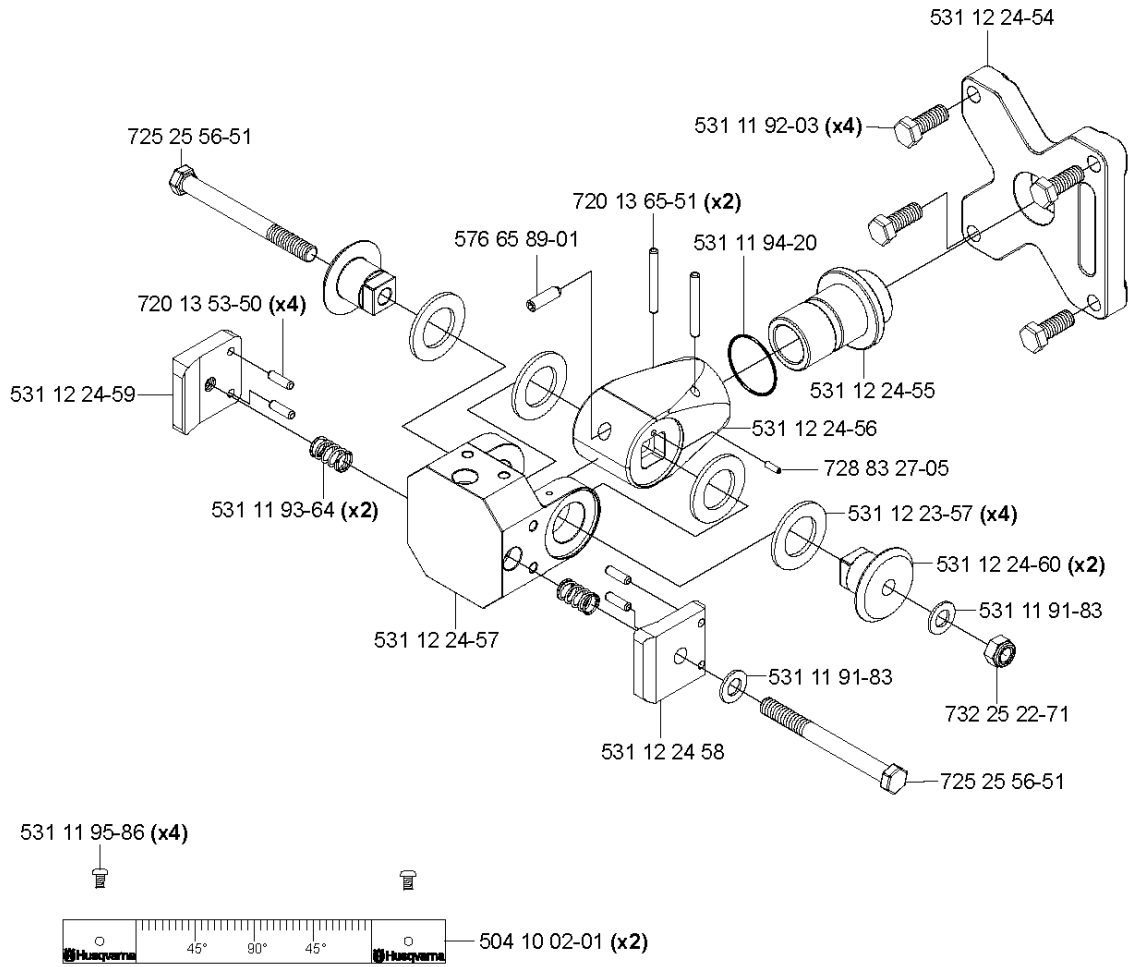
SPARE PARTS LIST

WALL SAWS

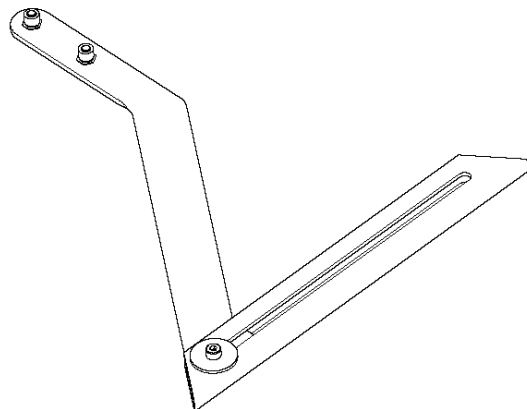
WS440 HF, Valid from machine no. 8382,
2012-07

J WS 440 HF
Tillbehör
Accessories
Zubehöre
Accessoires
Accesorios

Mounting bracket Universal
compl. 531 11 32-00



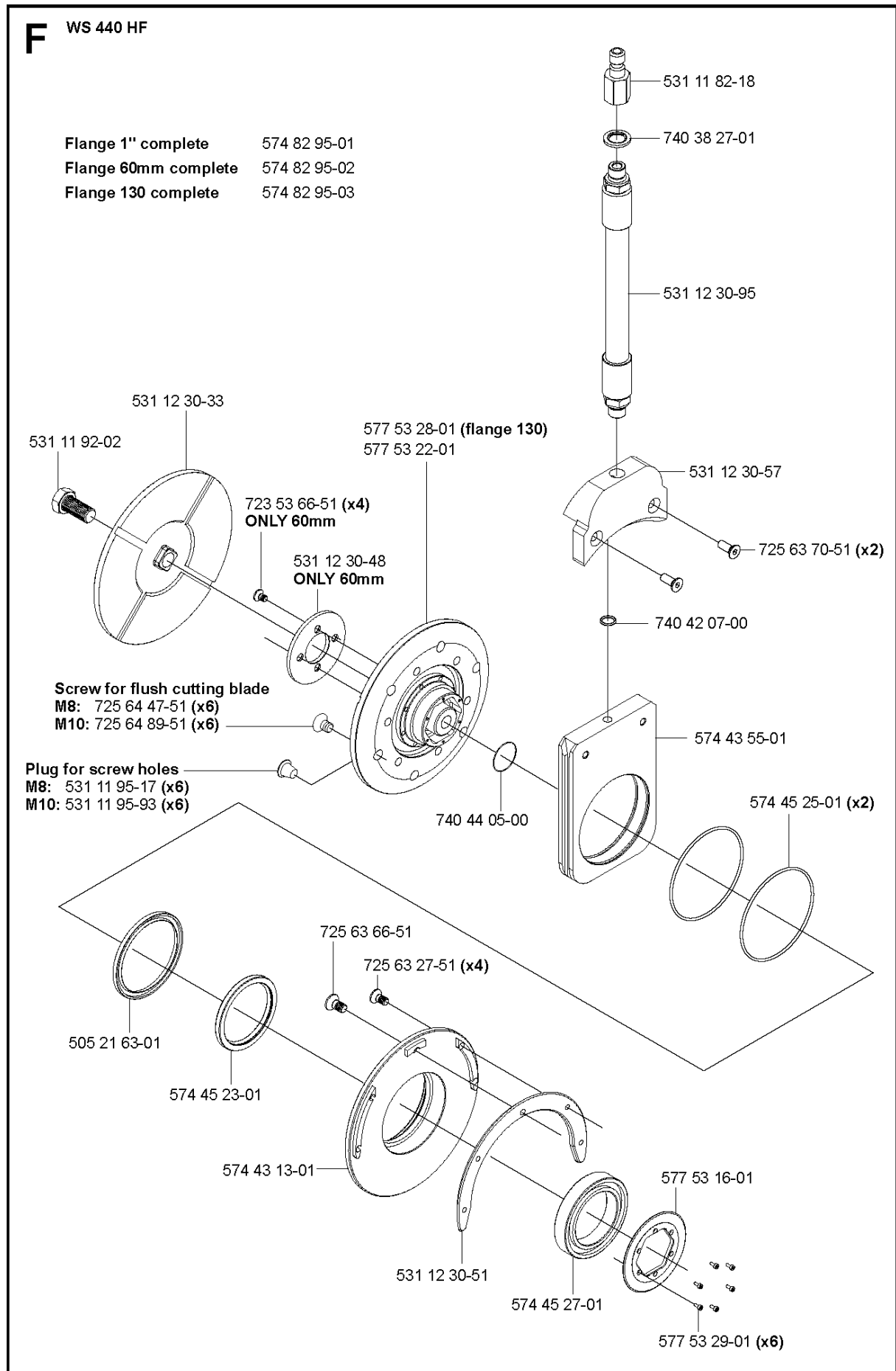
Measure rod complete 531 11 32-65



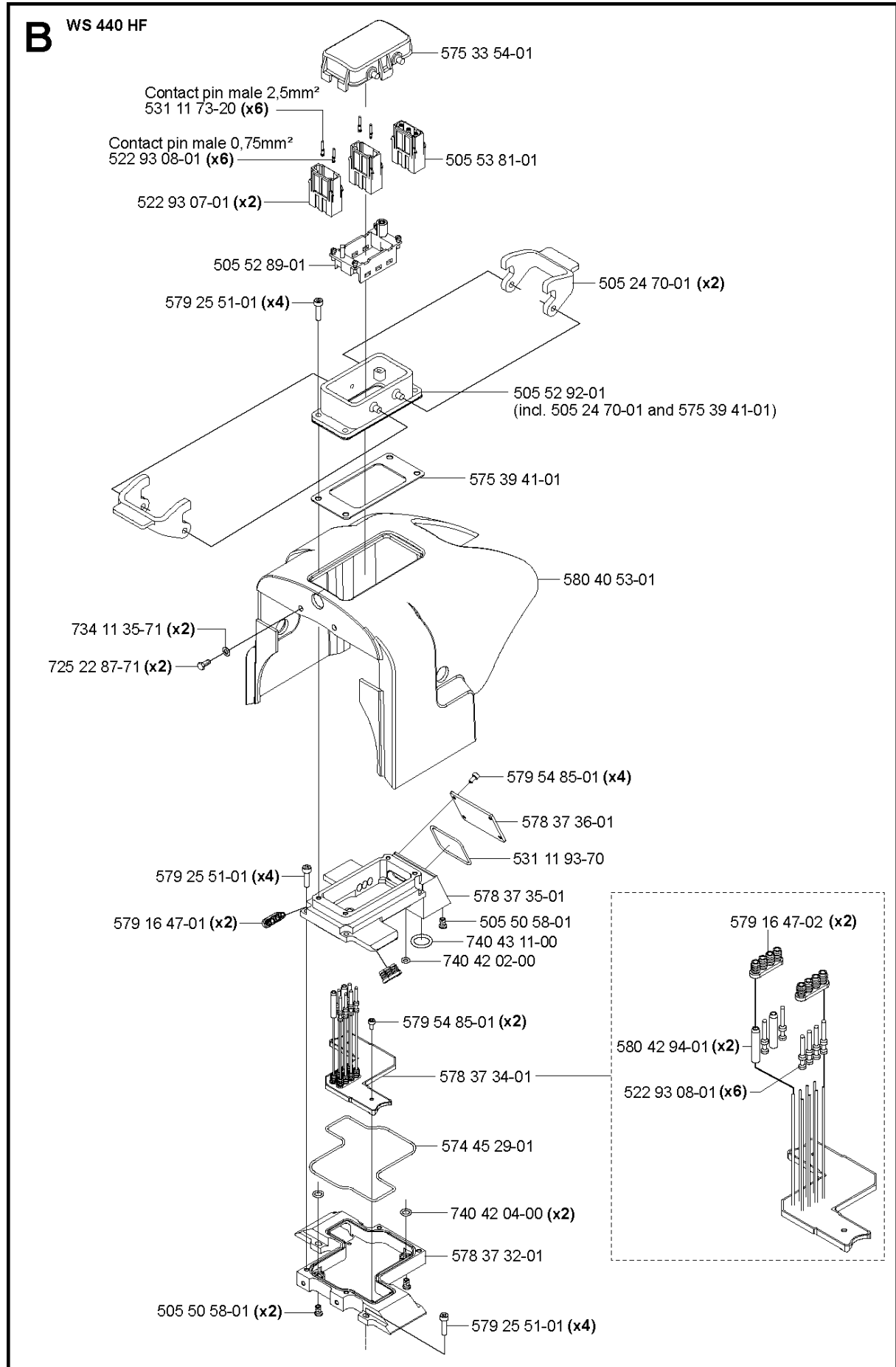
ATTACHMENTS

WS440 HF, Valid from machine no. 8382, 2012-07

Part No	Description	Remark	QTY KIT
504 10 02-01	SCALE		1
531 11 32-00	BRACKET		1
531 11 32-65	POINTER		1
531 11 91-83	WASHER		1
531 11 92-03	SCREW		1
531 11 93-64	SPRING		1
531 11 94-20	O-RING		1
531 11 95-86	SCREW		1
531 12 23-57	CLUTCH		1
531 12 24-54	CONSOLE		1
531 12 24-55	AXLE		1
531 12 24-56	MOUNT		1
531 12 24-57	BRACKET		1
531 12 24-58	WASHER		1
531 12 24-59	NUT		1
531 12 24-60	CLUTCH		1
576 65 89-01	SCREW		1
720 13 53-50	PARALLEL PIN		1
720 13 65-51	PARALLEL PIN		1
725 25 56-51	SCREW EHHM		1
728 83 27-05	SCREW IHSETM		1
732 25 22-71	HEXAGON LOCKING NUT		1



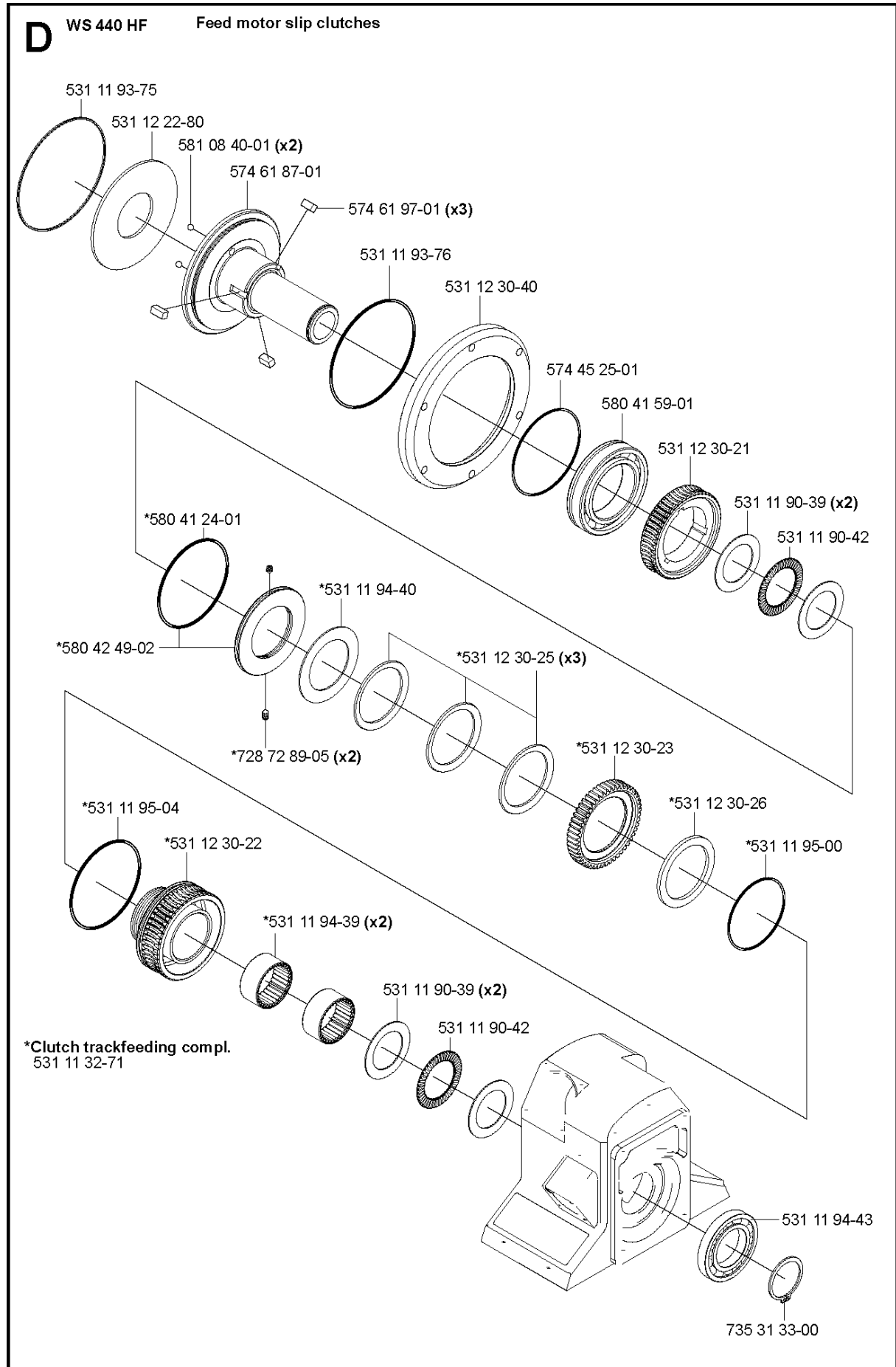
Ref	Part No	Description	Remark	QTY KIT
505 21 63-01	505 21 63-01	RADIAL SEAL		1
531 11 82-18	531 11 82-18	QUICK COUPLING		1
531 11 92-02	531 11 92-02	SCREW		1
531 11 95-17	531 11 95-17	PLUG		1
531 11 95-93	531 11 95-93	PLUG		1
531 12 30-33	531 12 30-33	FLANGE		1
531 12 30-48	531 12 30-48	SPACER		1
531 12 30-51	531 12 30-51	PLATE		1
531 12 30-57	531 12 30-57	WASSERANSCHLUSS		1
531 12 30-95	531 12 30-95	HOSE		1
574 43 13-01	574 43 13-01	HUB		1
574 43 55-01	574 43 55-01	BLOCK		1
574 45 23-01	574 45 23-01	SEAL		1
574 45 25-01	574 45 25-01	O-RING		1
574 45 27-01	574 45 27-01	BEARING		1
574 82 95-01	574 82 95-01	FLANGE		1
574 82 95-02	574 82 95-02	FLANGE		1
574 82 95-03	574 82 95-03	FLANGE		1
577 53 16-01	577 53 16-02	STOP WASHER		1
577 53 22-01	577 53 22-01	FLANGE		1
577 53 28-01	577 53 28-01	FLANGE		1
577 53 29-01	577 53 29-01	SCREW		1
723 53 66-51	723 53 66-51	SCREW		1
723 53 66-51	723 53 66-51	SCREW		1
725 63 27-51	725 63 27-51	SCREW IHCSFM		1
725 63 70-51	725 63 70-51	SCREW IHCSFM		1
725 64 47-51	725 64 47-51	SCREW IHCSFM		1
725 64 89-51	725 64 89-51	SCREW IHCSFM		1
740 38 27-01	740 38 27-01	SEALING WASHER		1
740 42 07-00	740 42 07-00	O-RING		1
740 44 05-00	740 44 05-00	O-RING		1
725 63 66-51	725 63 66-51	SCREW IHCSFM		1



ELECTRICAL

WS440 HF, Valid from machine no. 8382, 2012-07

Part No	Description	Remark	QTY KIT
505 24 70-01	SHACKLE		1
505 50 58-01	PLUG		1
505 52 89-01	FRAME		1
505 52 92-01	CONTACT		1
505 53 81-01	CONSOLE		1
522 93 07-01	CONSOLE		1
522 93 08-01	TERMINAL		1
531 11 73-20	TERMINAL		1
531 11 93-70	O-RING		1
574 45 29-01	O-RING		1
575 33 54-01	COVER		1
575 39 41-01	GASKET		1
578 37 32-01	ELECTRONIC BOX		1
578 37 34-01	PRINTED CIRCUIT BOARD		1
578 37 35-01	SEALING PLATE		1
578 37 36-01	CABLE COVER		1
579 16 47-01	SEALING PLUG		1
579 16 47-02	SEALING PLUG		1
579 25 51-01	SCREW IHSCFMO		1
579 54 85-01	SCREW		1
580 40 53-01	COVER		1
580 42 94-01	CONNECTOR		1
725 22 87-71	SCREW EHHM		1
734 11 35-71	WASHER		1
740 42 02-00	O-RING		1
740 42 04-00	O-RING		1
740 43 11-00	O-RING		1

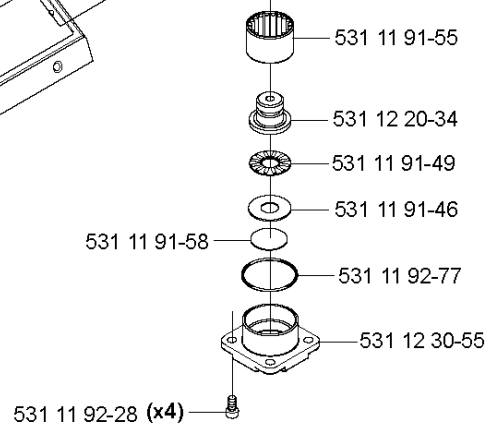
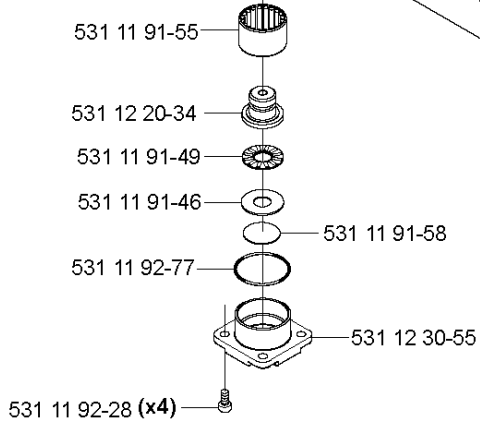
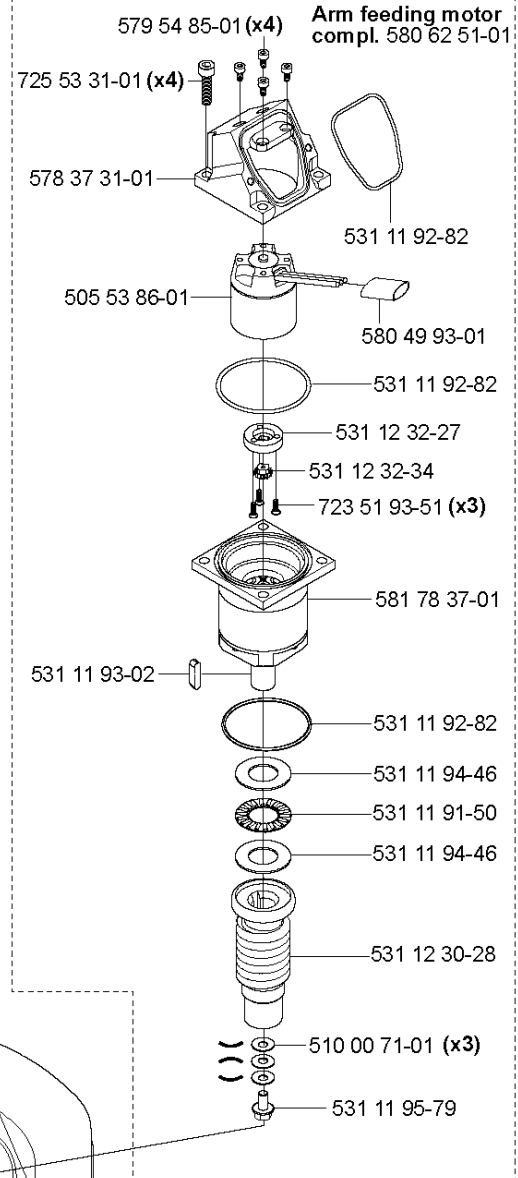
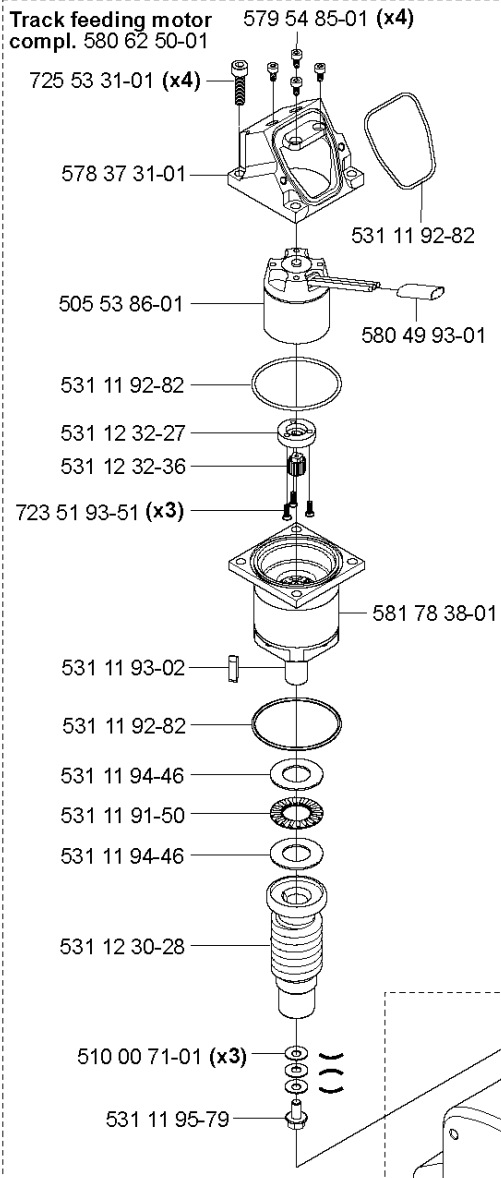


FEEDING GEARS

WS440 HF, Valid from machine no. 8382, 2012-07

Part No	Description	Remark	QTY KIT
522 53 68-01	PLUG		1
531 11 32-71	CLUTCH		1
531 11 90-39	WASHER		1
531 11 90-42	BEARING		1
531 11 93-75	O-RING		1
531 11 93-76	O-RING		1
531 11 94-39	BEARING		1
531 11 94-40	BEARING		1
531 11 94-43	BEARING		1
531 11 95-00	O-RING		1
531 11 95-04	O-RING		1
531 12 22-80	PLATE		1
531 12 30-21	GEAR WHEEL		1
531 12 30-22	GEAR WHEEL		1
531 12 30-23	GEAR WHEEL		1
531 12 30-25	CUP		1
531 12 30-26	PLATE		1
531 12 30-40	WASHER		1
574 45 25-01	O-RING		1
574 61 87-01	SHAFT		1
574 61 97-01	KEY		1
580 41 24-01	O-RING		1
580 41 59-01	BEARING		1
580 42 49-02	NUT		1
728 72 89-05	SCREW IHSETM		1
735 31 33-00	CIRCLIP		1

C WS 440 HF



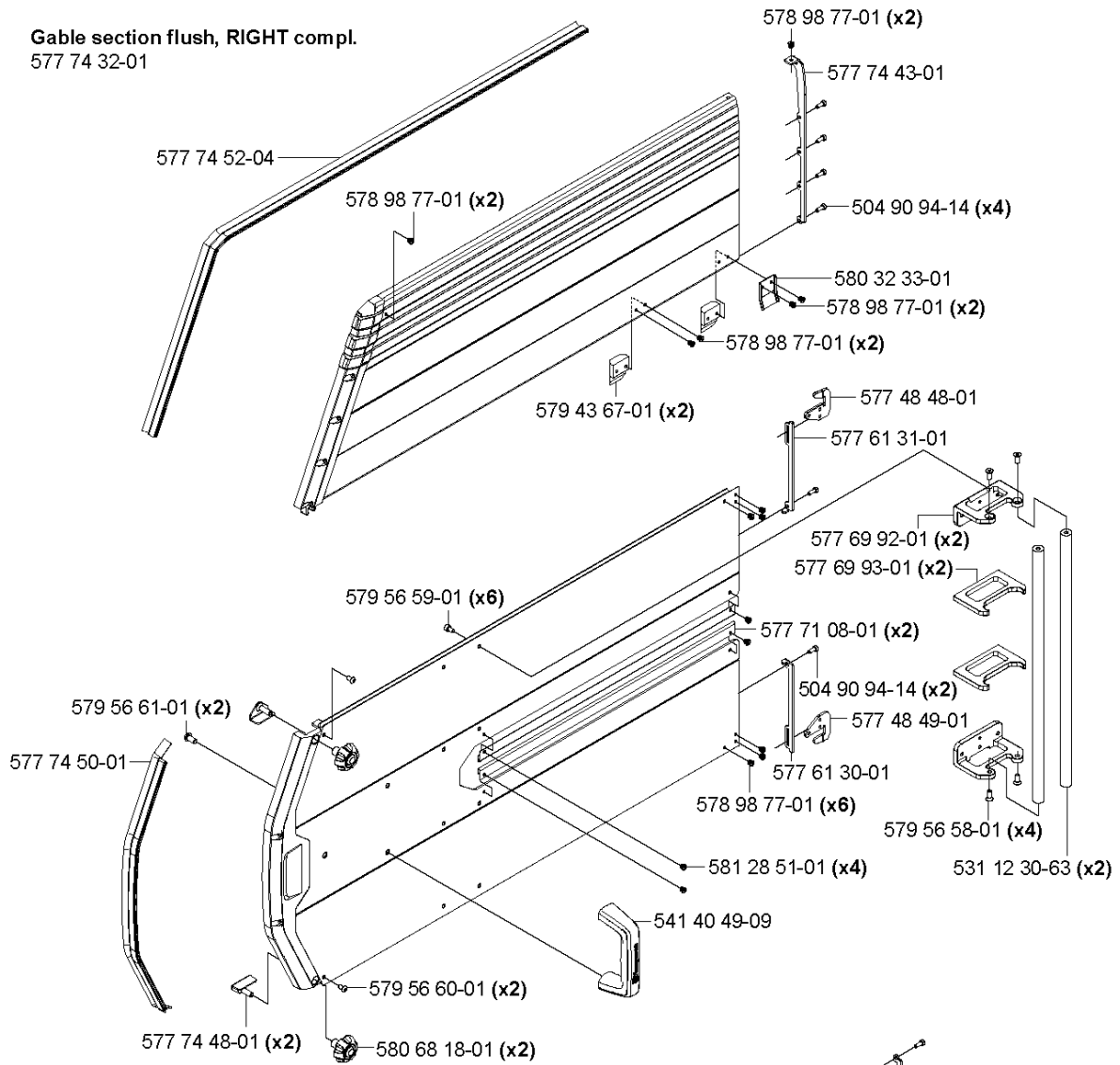
FEEDING MOTORS

WS440 HF, Valid from machine no. 8382, 2012-07

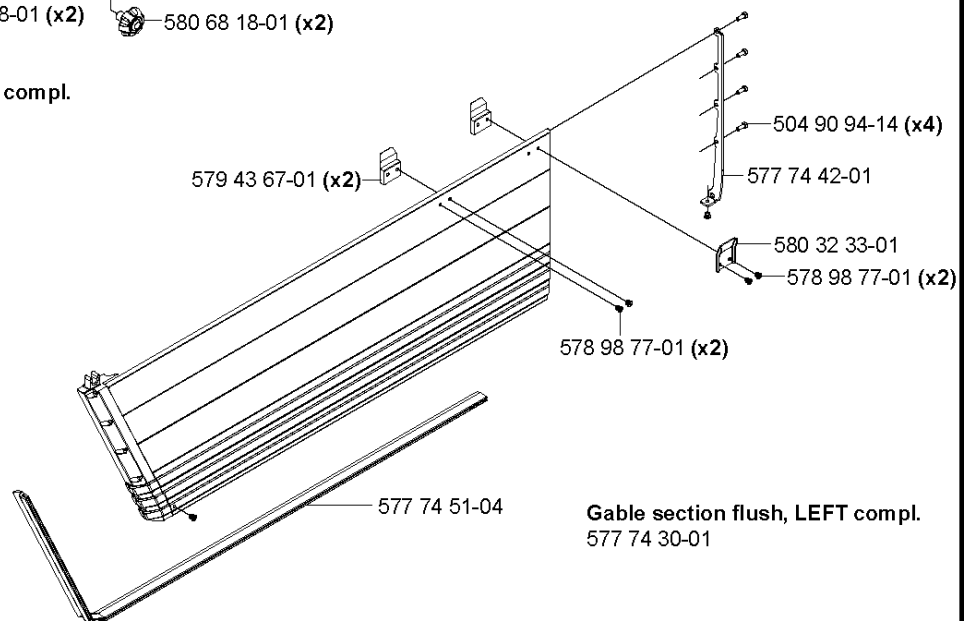
Part No	Description	Remark	QTY KIT
505 25 54-01	GEARBOX		1
505 25 55-01	GEARBOX		1
505 53 86-01	ELECTRIC BOX		1
510 00 71-01	SPRING WASHER		1
531 11 91-46	BEARING		1
531 11 91-49	BEARING		1
531 11 91-50	BEARING		1
531 11 91-55	BEARING		1
531 11 91-58	SHIM		1
531 11 92-28	SCREW		1
531 11 92-77	O-RING		1
531 11 92-82	O-RING		1
531 11 93-02	KEY		1
531 11 94-46	WASHER		1
531 11 95-79	SCREW		1
531 12 20-34	AXLE		1
531 12 30-28	AUTOMATIC FEEDING SYSTEM		1
531 12 30-55	BLOCK		1
531 12 32-27	SHAFT		1
531 12 32-34	GEAR WHEEL		1
531 12 32-36	GEAR WHEEL		1
578 37 31-01	MOTOR HOUSING		1
579 54 85-01	SCREW		1
580 49 93-01	HOSE KIT		1
580 62 50-01	MOTOR ASSY		1
580 62 51-01	MOTOR ASSY		1
581 08 40-01	BALL		1
581 78 37-01	GEARBOX		1
581 78 38-01	GEARBOX		1
723 51 93-51	SCREW		1
725 53 31-01	SCREW IHSCM		1

M2 WS 440 HF Flush blade guard 1000mm complete 577 74 24-01

Gable section flush, RIGHT compl.
577 74 32-01



Centre section flush compl.
577 90 30-01

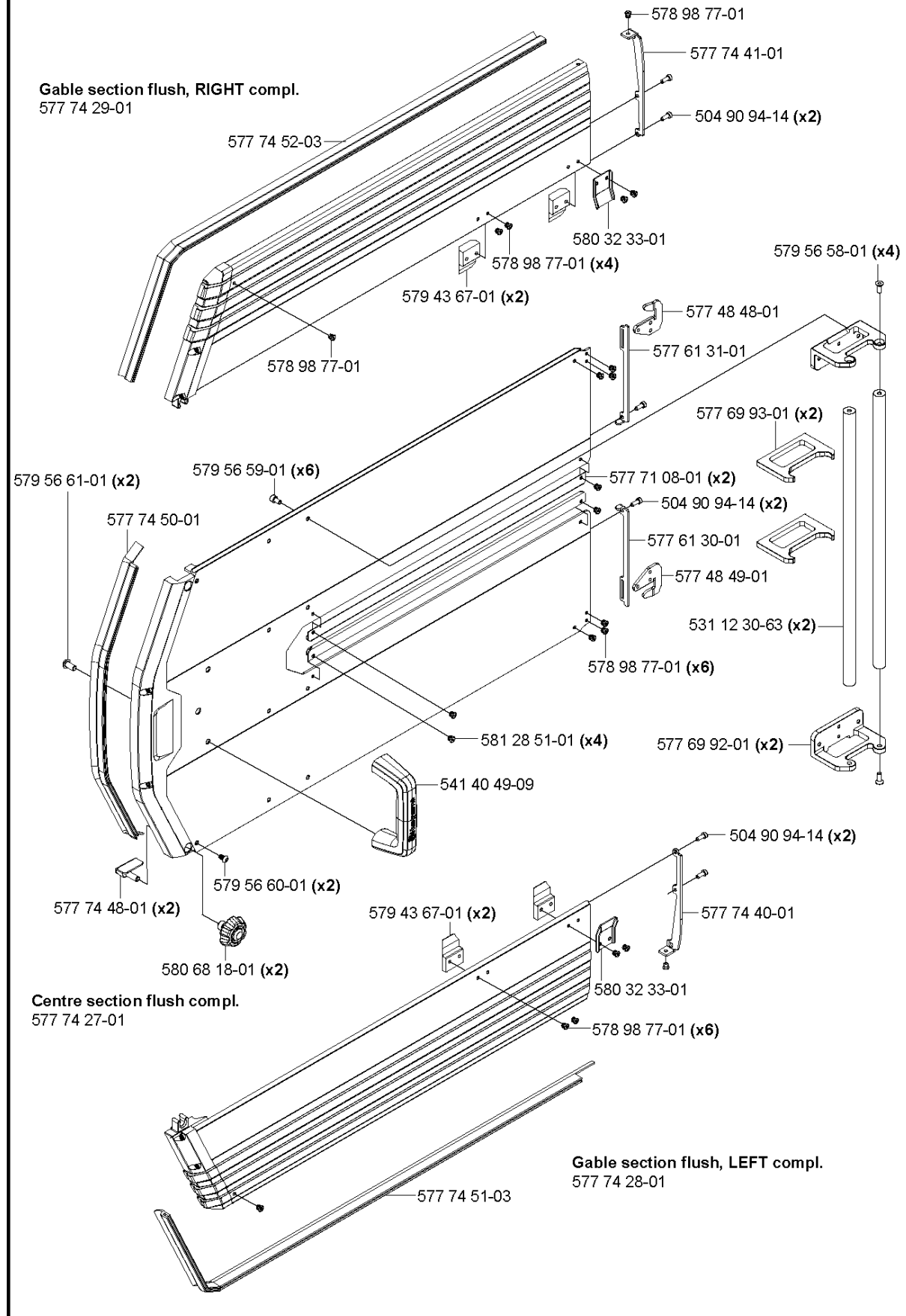


Gable section flush, LEFT compl.
577 74 30-01

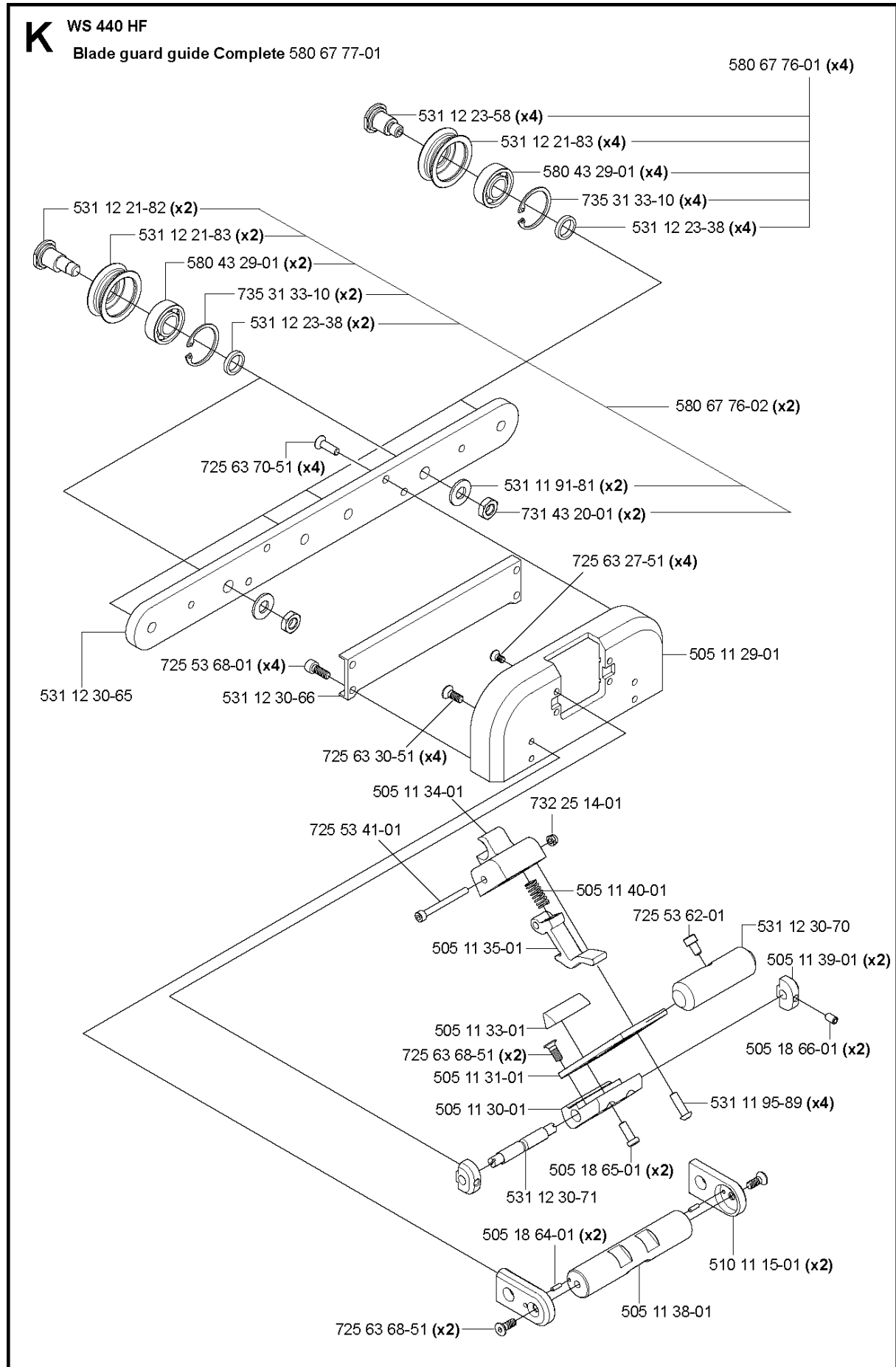
Part No	Description	Remark	QTY KIT
504 90 94-14	SCREW ITXSCT		1
531 12 30-63	RAIL		1
541 40 49-09	HANDLE		1
577 48 48-01	HITCH		1
577 48 49-01	HITCH		1
577 61 30-01	LINK		1
577 61 31-01	LINK		1
577 69 92-01	FIXTURE		1
577 69 93-01	FIXTURE		1
577 71 08-01	GUIDE BAR		1
577 74 24-01	BLADE GUARD		1
577 74 30-01	GABLE		1
577 74 32-01	GABLE		1
577 74 42-01	COVER		1
577 74 43-01	COVER		1
577 74 48-01	FRAME		1
577 74 50-01	STRIP		1
577 74 51-04	COVER		1
577 74 52-04	COVER		1
577 90 30-01	BLADE GUARD		1
578 98 77-01	RIVET		1
579 43 67-01	GUIDE PLATE		1
579 56 58-01	SCREW		1
579 56 59-01	SCREW		1
579 56 60-01	SCREW		1
579 56 61-01	SCREW		1
580 32 33-01	GUIDE		1
580 68 12-02	GUARD		1
580 68 18-01	KNOB		1
581 28 51-01	RIVET		1

Part No	Description	Remark	QTY KIT
504 90 94-14	SCREW ITXSCT		1
531 11 90-80	SNAP LOCKING		1
531 11 95-24	SCREW		1
531 11 95-46	PIN		1
531 12 30-63	RAIL		1
531 12 31-69	CLAMP		1
541 40 49-09	HANDLE		1
574445501	MUFFLER ASSY		1
577 41 35-01	CONTROL		1
577 44 55-01	GUIDE RAIL		1
577 48 48-01	HITCH		1
577 48 49-01	HITCH		1
577 61 30-01	LINK		1
577 61 31-01	LINK		1
577 69 92-01	FIXTURE		1
577 69 93-01	FIXTURE		1
577 71 08-01	GUIDE BAR		1
577 74 25-01	BLADE GUARD		1
577 74 33-01	BLADE GUARD		1
577 74 34-01	GABLE		1
577 74 44-01	COVER		1
577 74 45-01	COVER		1
577 74 48-01	FRAME		1
577 74 50-01	STRIP		1
577 74 51-05	COVER		1
577 74 52-05	COVER		1
578 98 77-01	RIVET		1
579 43 67-01	GUIDE PLATE		1
579 52 07-01	HOOK		1
579 56 58-01	SCREW		1
579 56 59-01	SCREW		1
579 56 60-01	SCREW		1
579 56 61-01	SCREW		1
579 56 62-01	SCREW		1
580 32 33-01	GUIDE		1
580 68 18-01	KNOB		1
580 68 76-01	ANGLE BRACKET		1
580 68 76-02	ANGLE BRACKET		1
580 90 22-01	ARBOR SHAFT		1
580 97 65-01	HOOK		1
581 00 61-01	STRUT		1
581 28 51-01	RIVET		1
725 63 28-51	SCREW IHCSFM		1
731 43 20-01	HEXAGON THIN NUT		1

L2 WS 440 HF Flush blade guard 800mm complete 577 74 23-01



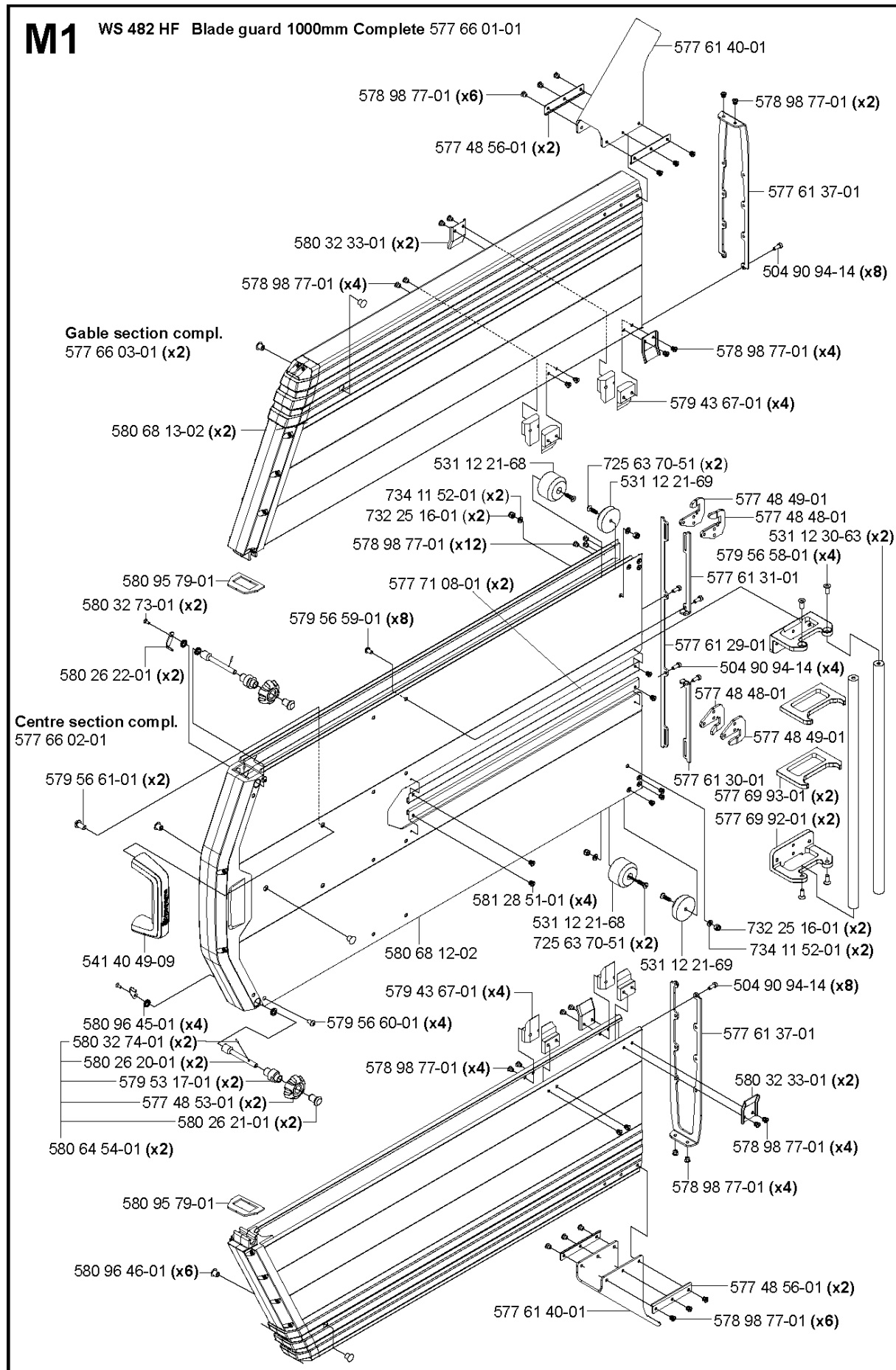
Part No	Description	Remark	QTY KIT
504 90 94-14	SCREW ITXSCT		1
531 12 30-63	RAIL		1
541 40 49-09	HANDLE		1
577 48 48-01	HITCH		1
577 48 49-01	HITCH		1
577 61 30-01	LINK		1
577 61 31-01	LINK		1
577 69 92-01	FIXTURE		1
577 69 93-01	FIXTURE		1
577 71 08-01	GUIDE BAR		1
577 74 23-01	BLADE GUARD		1
577 74 27-01	BLADE GUARD		1
577 74 28-01	GABLE		1
577 74 29-01	GABLE		1
577 74 40-01	COVER		1
577 74 41-01	COVER		1
577 74 48-01	FRAME		1
577 74 50-01	STRIP		1
577 74 51-03	COVER		1
577 74 52-03	COVER		1
578 98 77-01	RIVET		1
579 43 67-01	GUIDE PLATE		1
579 43 67-01	GUIDE PLATE		1
579 56 58-01	SCREW		1
579 56 59-01	SCREW		1
579 56 60-01	SCREW		1
579 56 61-01	SCREW		1
580 32 33-01	GUIDE		1
580 68 18-01	KNOB		1
581 28 51-01	RIVET		1



GUARDS

WS440 HF, Valid from machine no. 8382, 2012-07

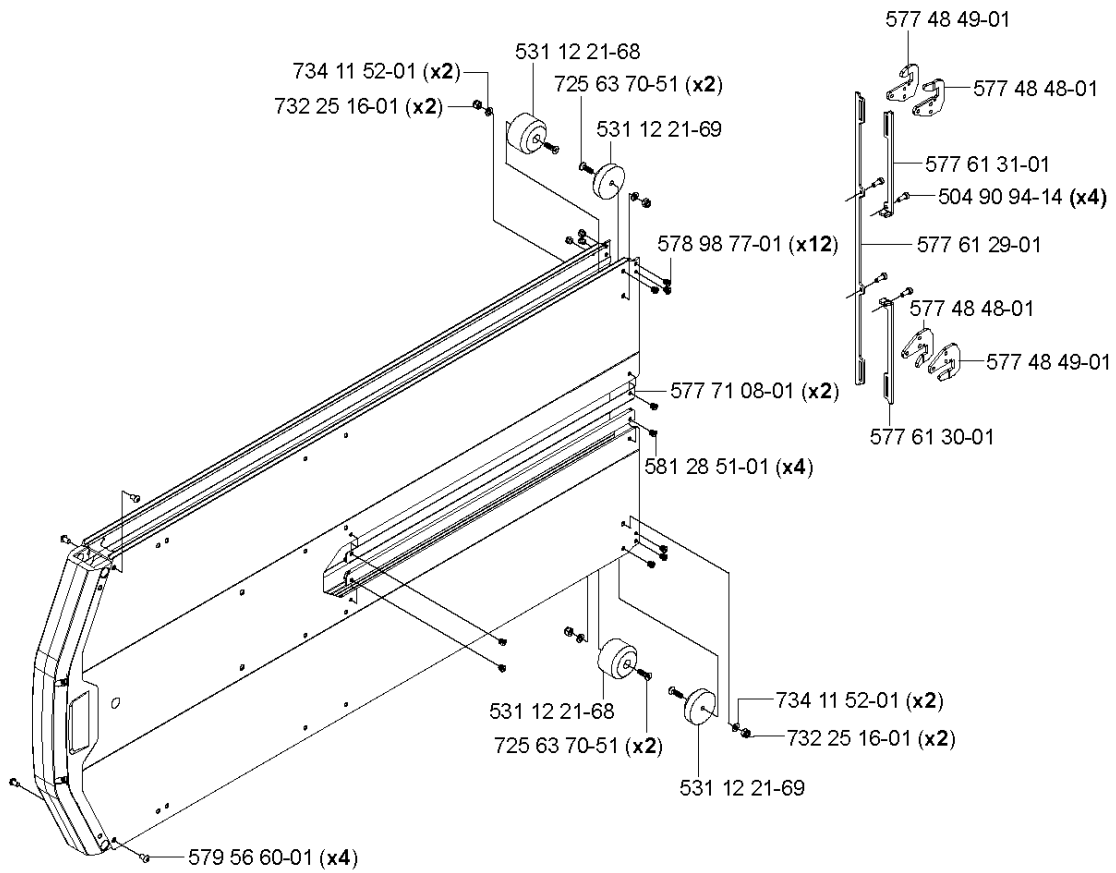
Part No	Description	Remark	QTY KIT
505 11 29-01	HOLDER		1
505 11 30-01	ECCENTRIC		1
505 11 31-01	HANDLE BRACKET		1
505 11 33-01	BEAM		1
505 11 34-01	SNAP LOCKING		1
505 11 35-01	HOOK		1
505 11 38-01	HANDLE		1
505 11 39-01	SHAFT SEAT		1
505 11 40-01	SPRING		1
505 18 64-01	PARALLEL PIN		1
505 18 65-01	SCREW		1
505 18 66-01	SCREW		1
510 11 15-01	HANDLE HOLDER		1
531 11 91-81	WASHER		1
531 11 95-89	SCREW		1
531 12 21-82	WHEEL		1
531 12 21-83	WHEEL		1
531 12 23-38	SPACER RING		1
531 12 23-58	WHEEL		1
531 12 30-65	GUIDE RAIL		1
531 12 30-66	COVER		1
531 12 30-70	HANDLE		1
531 12 30-71	SHAFT		1
580 43 29-01	BEARING		1
580 67 76-01	WHEEL ASSY		1
580 67 76-02	WHEEL ASSY		1
580 67 77-01	BLADE GUARD		1
725 53 41-01	SCREW IHSCM		1
725 53 62-01	SCREW IHSCM		1
725 53 68-01	SCREW IHSCM		1
725 63 27-51	SCREW IHCSFM		1
725 63 30-51	SCREW IHCSFM		1
725 63 68-51	SCREW IHCSFM		1
725 63 70-51	SCREW IHCSFM		1
731 43 20-01	HEXAGON THIN NUT		1
732 25 14-01	HEXAGON LOCKING NUT		1
735 31 33-10	CIRCLIP		1



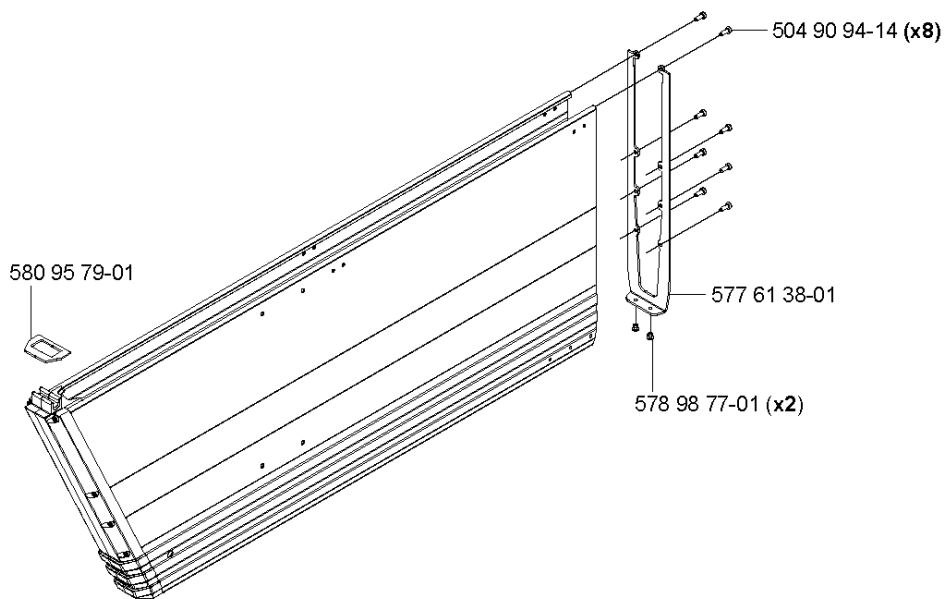
Part No	Description	Remark	QTY KIT
504 90 94-14	SCREW ITXSCT		1
531 12 21-68	GUIDE		1
531 12 21-68	GUIDE		1
531 12 21-69	GUIDE		1
531 12 30-63	RAIL		1
541 40 49-09	HANDLE		1
577 48 48-01	HITCH		1
577 48 49-01	HITCH		1
577 48 53-01	KNOB		1
577 48 56-01	WASHER		1
577 61 29-01	LINK		1
577 61 30-01	LINK		1
577 61 31-01	LINK		1
577 61 37-01	END COVER		1
577 61 40-01	SPRAY GUARD		1
577 66 01-01	BLADE GUARD		1
577 66 02-01	BLADE GUARD		1
577 66 03-01	GABLE		1
577 69 92-01	FIXTURE		1
577 69 93-01	FIXTURE		1
577 71 08-01	GUIDE BAR		1
578 98 77-01	RIVET		1
579 43 67-01	GUIDE PLATE		1
579 53 17-01	CONE		1
579 56 58-01	SCREW		1
579 56 59-01	SCREW		1
579 56 60-01	SCREW		1
579 56 61-01	SCREW		1
580 26 20-01	SCREW		1
580 26 21-01	NUT		1
580 26 22-01	HOOK		1
580 32 33-01	GUIDE		1
580 32 73-01	SCREW		1
580 32 74-01	PEN		1
580 64 54-01	KNOB		1
580 68 12-02	GUARD		1
580 68 13-02	GUARD		1
580 95 79-01	GASKET		1
580 96 45-01	V-RING		1
580 96 46-01	RUBBER PLUG		1
581 28 51-01	RIVET		1
725 63 70-51	SCREW IHCSFM		1
725 63 70-51	SCREW IHCSFM		1
732 25 16-01	HEXAGON LOCKING NUT		1
734 11 52-01	WASHER		1

N2

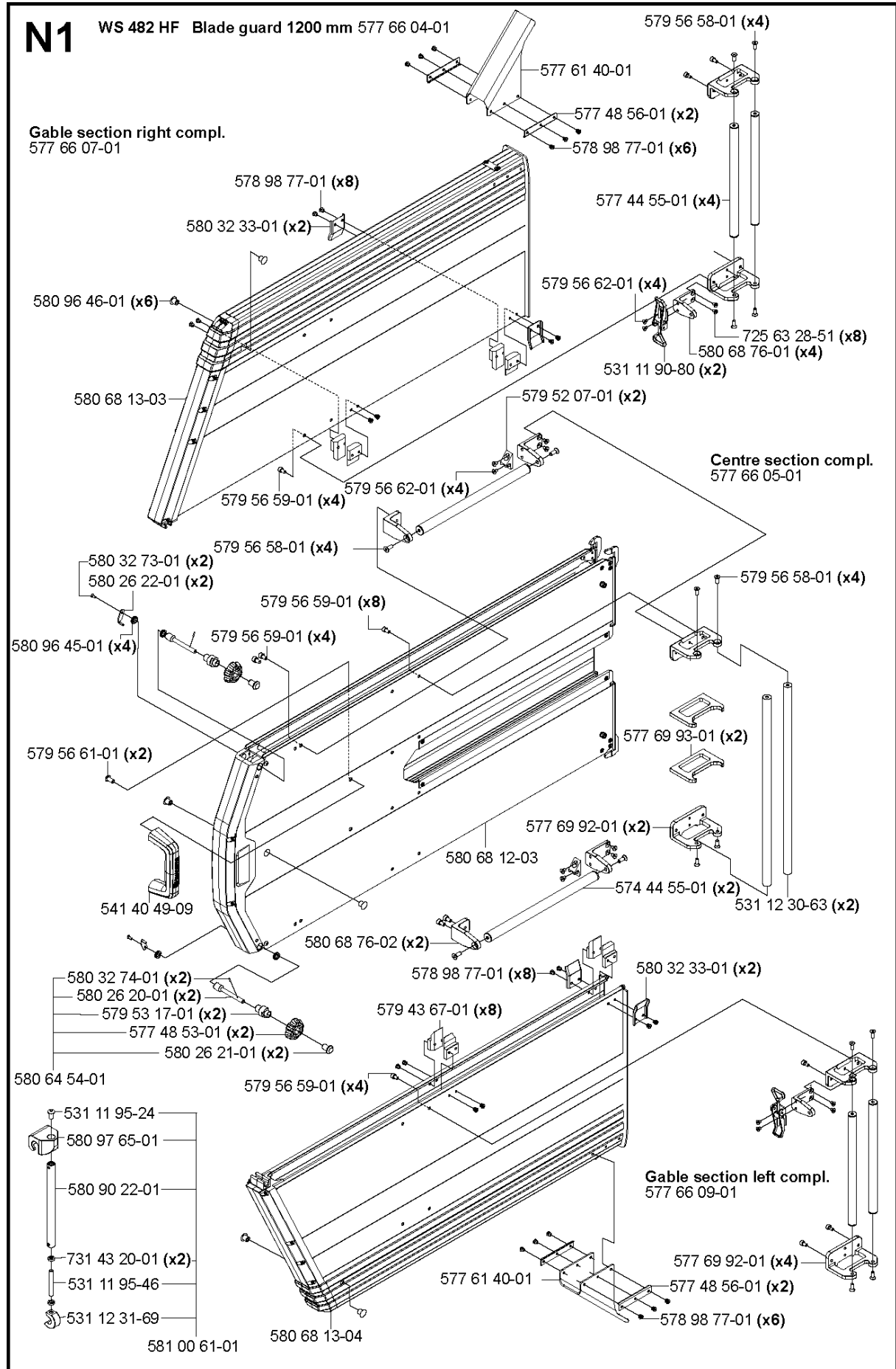
WS 482 HF Blade guard centre section 1200 mm



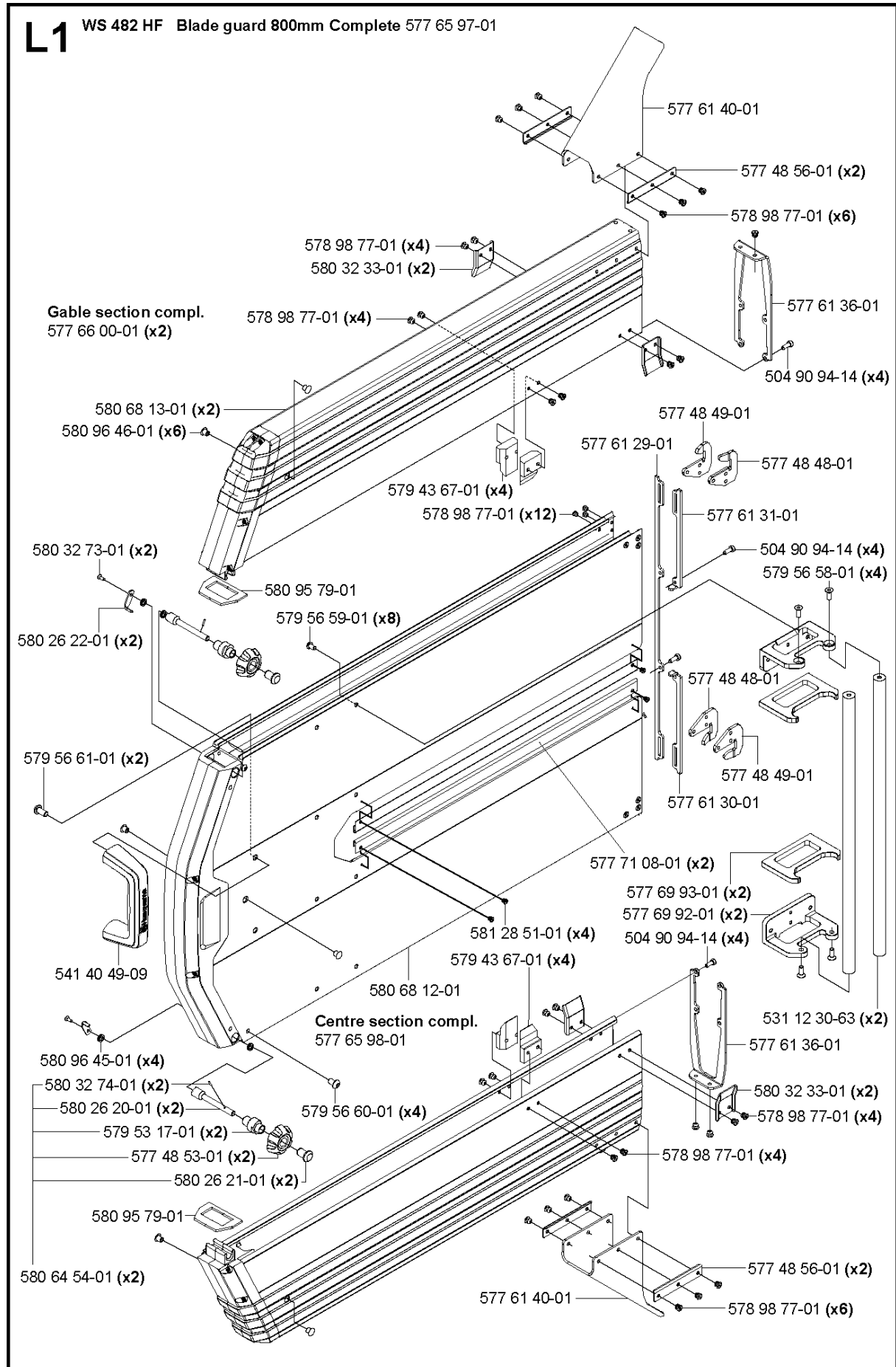
Blade guard gable section 1200 mm



Part No	Description	Remark	QTY KIT
504 90 94-14	SCREW ITXSCT		1
531 12 21-68	GUIDE		1
531 12 21-69	GUIDE		1
577 48 48-01	HITCH		1
577 48 49-01	HITCH		1
577 61 29-01	LINK		1
577 61 30-01	LINK		1
577 61 31-01	LINK		1
577 61 38-01	COVER		1
577 71 08-01	GUIDE BAR		1
578 98 77-01	RIVET		1
579 56 60-01	SCREW		1
580 95 79-01	GASKET		1
581 28 51-01	RIVET		1
725 63 70-51	SCREW IHCSFM		1
732 25 16-01	HEXAGON LOCKING NUT		1
734 11 52-01	WASHER		1



Part No	Description	Remark	QTY KIT
531 11 90-80	SNAP LOCKING		1
531 11 95-24	SCREW		1
531 11 95-46	PIN		1
531 12 30-63	RAIL		1
531 12 31-69	CLAMP		1
541 40 49-09	HANDLE		1
574445501	MUFFLER ASSY		1
577 44 55-01	GUIDE RAIL		1
577 48 53-01	KNOB		1
577 48 56-01	WASHER		1
577 61 40-01	SPRAY GUARD		1
577 66 04-01	BLADE GUARD		1
577 66 05-01	BLADE GUARD		1
577 66 07-01	GABLE		1
577 66 09-01	GABLE		1
577 69 92-01	FIXTURE		1
577 69 93-01	FIXTURE		1
578 98 77-01	RIVET		1
579 43 67-01	GUIDE PLATE		1
579 52 07-01	HOOK		1
579 53 17-01	CONE		1
579 56 58-01	SCREW		1
579 56 59-01	SCREW		1
579 56 61-01	SCREW		1
579 56 62-01	SCREW		1
580 26 20-01	SCREW		1
580 26 21-01	NUT		1
580 26 22-01	HOOK		1
580 32 33-01	GUIDE		1
580 32 73-01	SCREW		1
580 32 74-01	PEN		1
580 64 54-01	KNOB		1
580 68 12-03	GUARD		
580 68 13-03	GUARD		
580 68 13-04	GUARD		
580 68 76-01	ANGLE BRACKET		1
580 68 76-02	ANGLE BRACKET		1
580 90 22-01	ARBOR SHAFT		1
580 96 45-01	V-RING		1
580 96 46-01	RUBBER PLUG		1
580 97 65-01	HOOK		1
581 00 61-01	STRUT		1
725 63 28-51	SCREW IHCSFM		1
731 43 20-01	HEXAGON THIN NUT		1

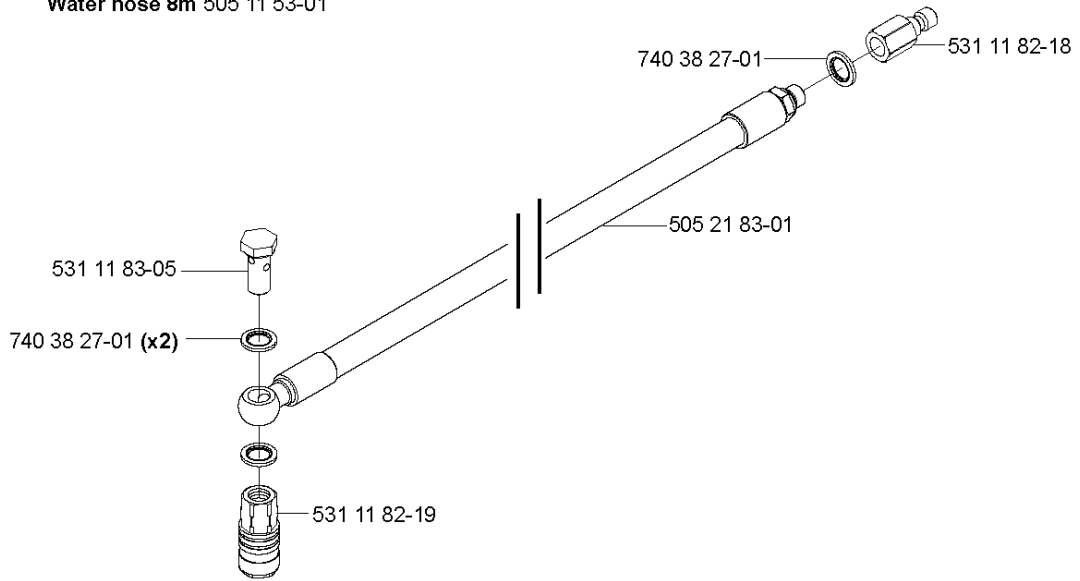


Part No	Description	Remark	QTY KIT
504 90 94-14	SCREW ITXSCT		1
531 12 30-63	RAIL		1
541 40 49-09	HANDLE		1
577 48 48-01	HITCH		1
577 48 49-01	HITCH		1
577 48 53-01	KNOB		1
577 48 56-01	WASHER		1
577 61 29-01	LINK		1
577 61 30-01	LINK		1
577 61 31-01	LINK		1
577 61 36-01	END COVER		1
577 61 40-01	SPRAY GUARD		1
577 65 97-01	BLADE GUARD		1
577 65 98-01	BLADE GUARD		1
577 66 00-01	GABLE		1
577 69 92-01	FIXTURE		1
577 69 93-01	FIXTURE		1
577 71 08-01	GUIDE BAR		1
578 98 77-01	RIVET		1
579 43 67-01	GUIDE PLATE		1
579 53 17-01	CONE		1
579 56 58-01	SCREW		1
579 56 59-01	SCREW		1
579 56 60-01	SCREW		1
579 56 61-01	SCREW		1
580 26 20-01	SCREW		1
580 26 21-01	NUT		1
580 26 22-01	HOOK		1
580 32 33-01	GUIDE		1
580 32 73-01	SCREW		1
580 32 74-01	PEN		1
580 64 54-01	KNOB		1
580 68 12-01	GUIDE BAR		1
580 68 13-01	GUARD		1
580 95 79-01	GASKET		1
580 96 45-01	V-RING		1
580 96 46-01	RUBBER PLUG		1
581 28 51-01	RIVET		1

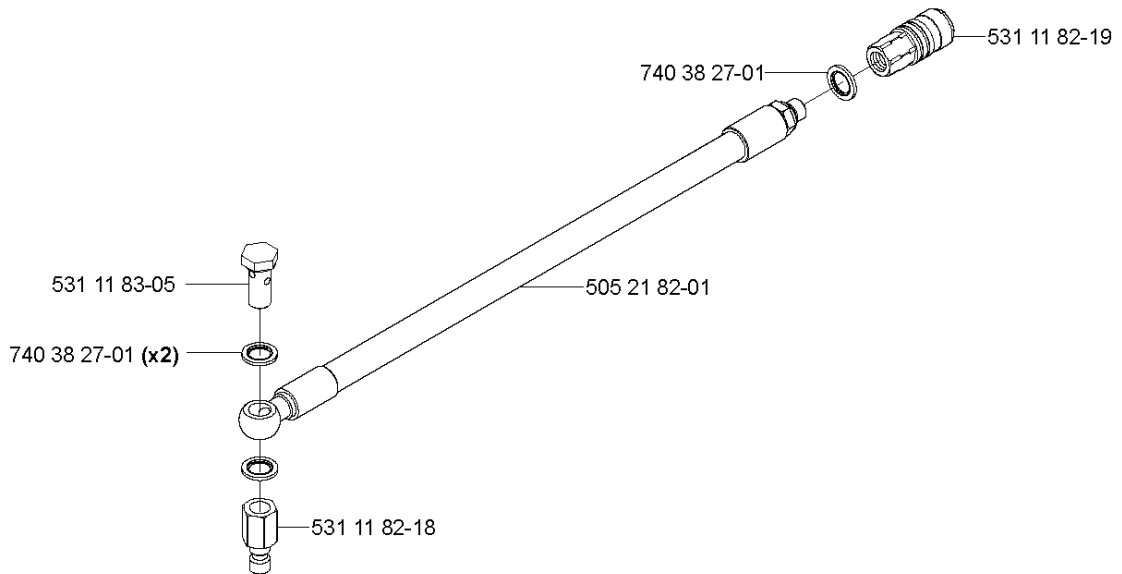
Q

WS 440 HF

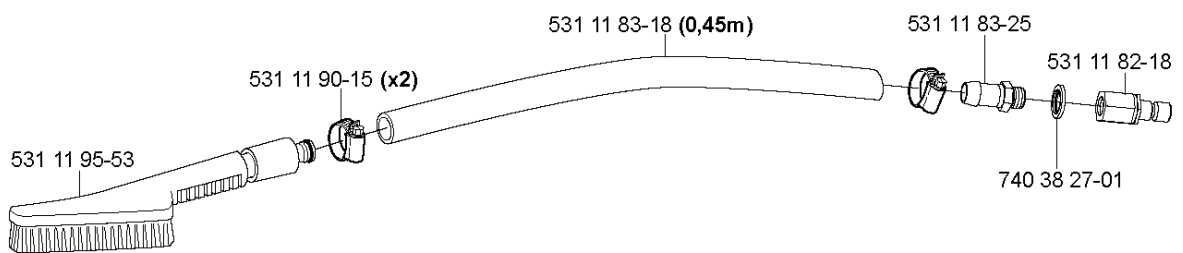
Water hose 8m 505 11 53-01



Water hose 1m 505 21 84-01



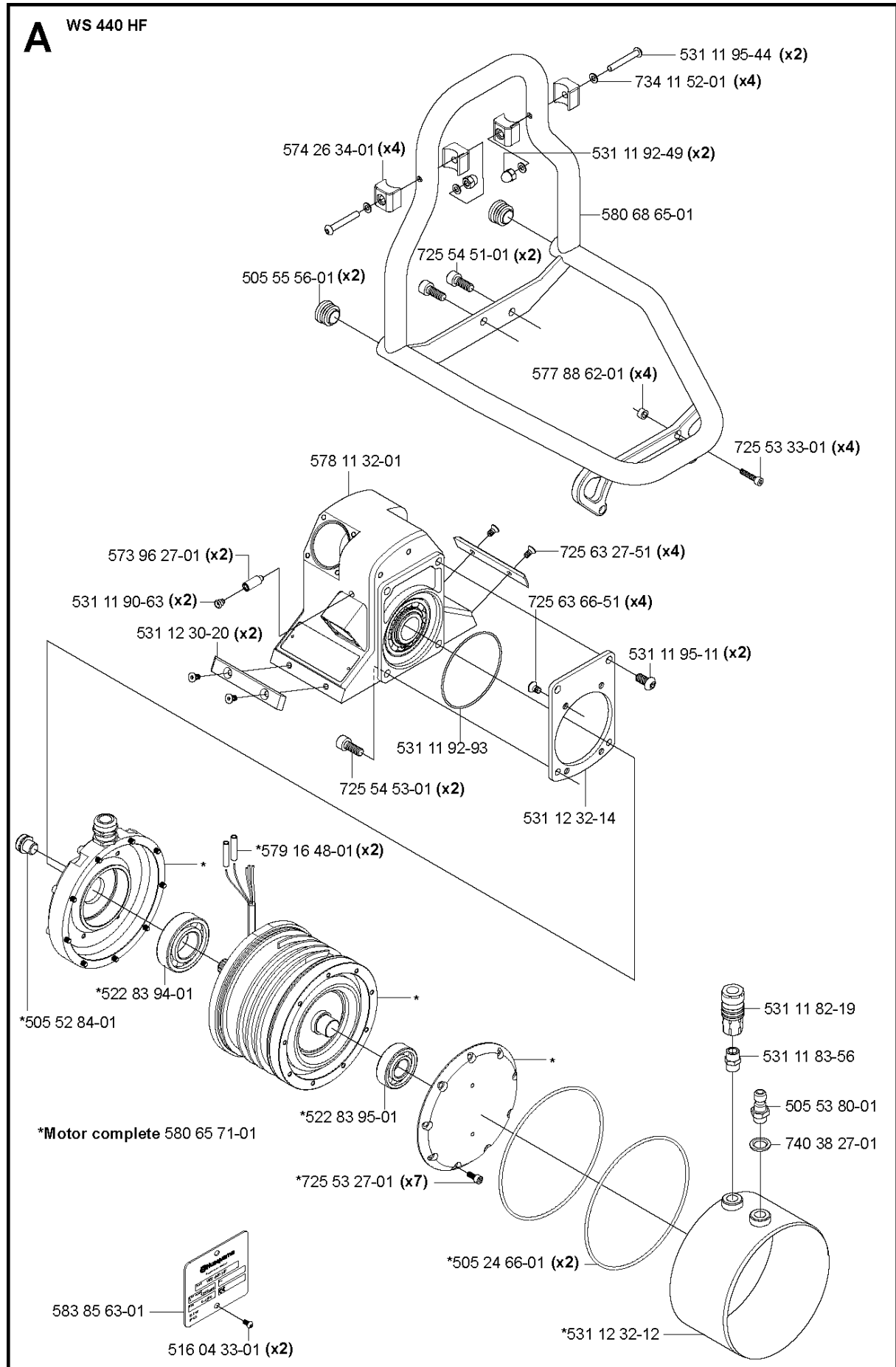
Cleaning brush complete 531 11 32-68



HOSE

WS440 HF, Valid from machine no. 8382, 2012-07

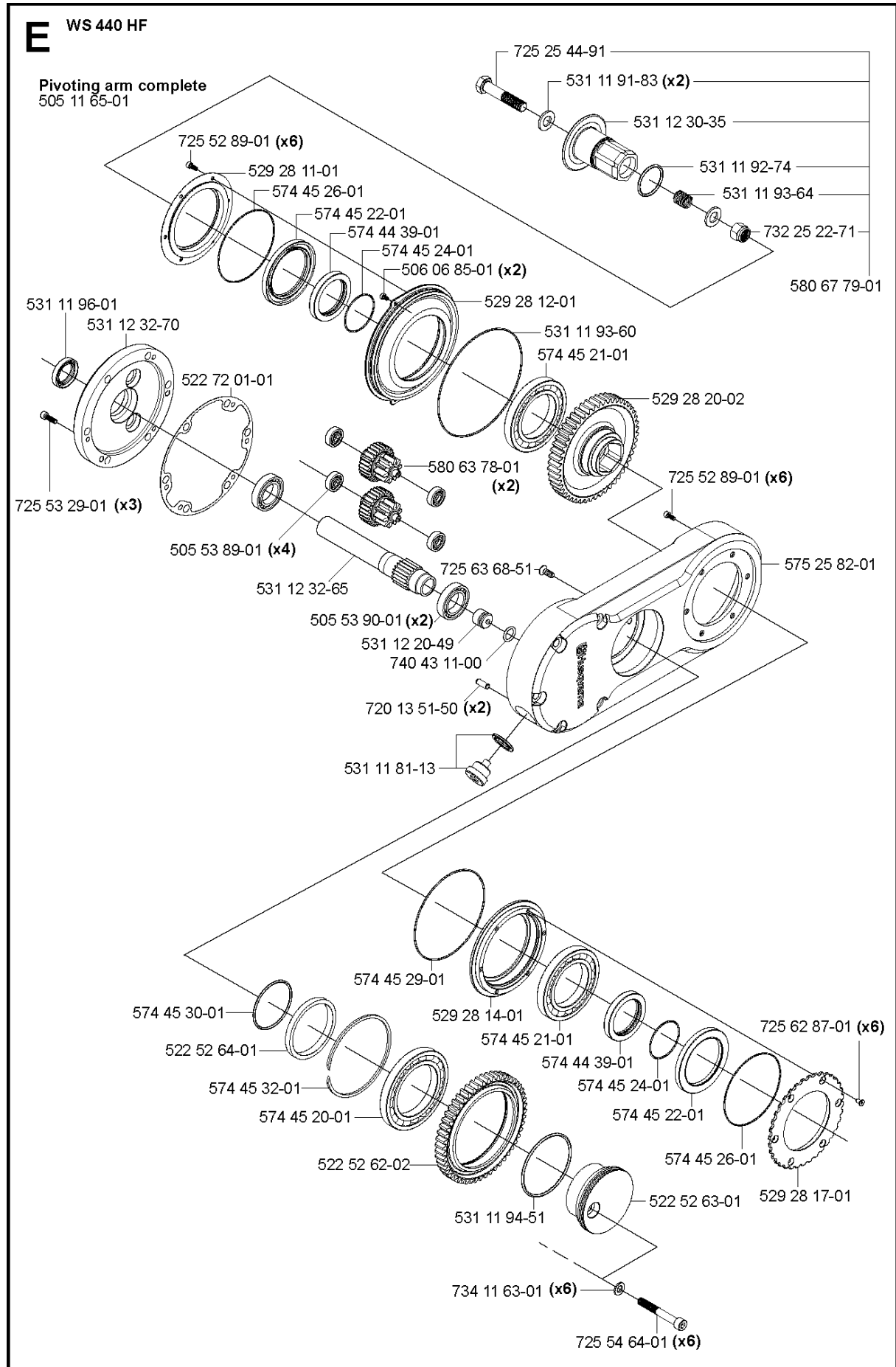
Part No	Description	Remark	QTY KIT
505 11 53-01	HOSE		1
505 21 82-01	HOSE		1
505 21 83-01	HOSE		1
505 21 84-01	HOSE		1
531 11 32-68	BRUSH		1
531 11 82-18	QUICK COUPLING		1
531 11 82-19	QUICK COUPLING		1
531 11 83-05	SCREW		1
531 11 83-18	HOSE KIT		1
531 11 83-25	NIPPLE		1
531 11 90-15	CLAMP		1
531 11 95-53	BRUSH		1
740 38 27-01	SEALING WASHER		1



HOUSING

WS440 HF, Valid from machine no. 8382, 2012-07

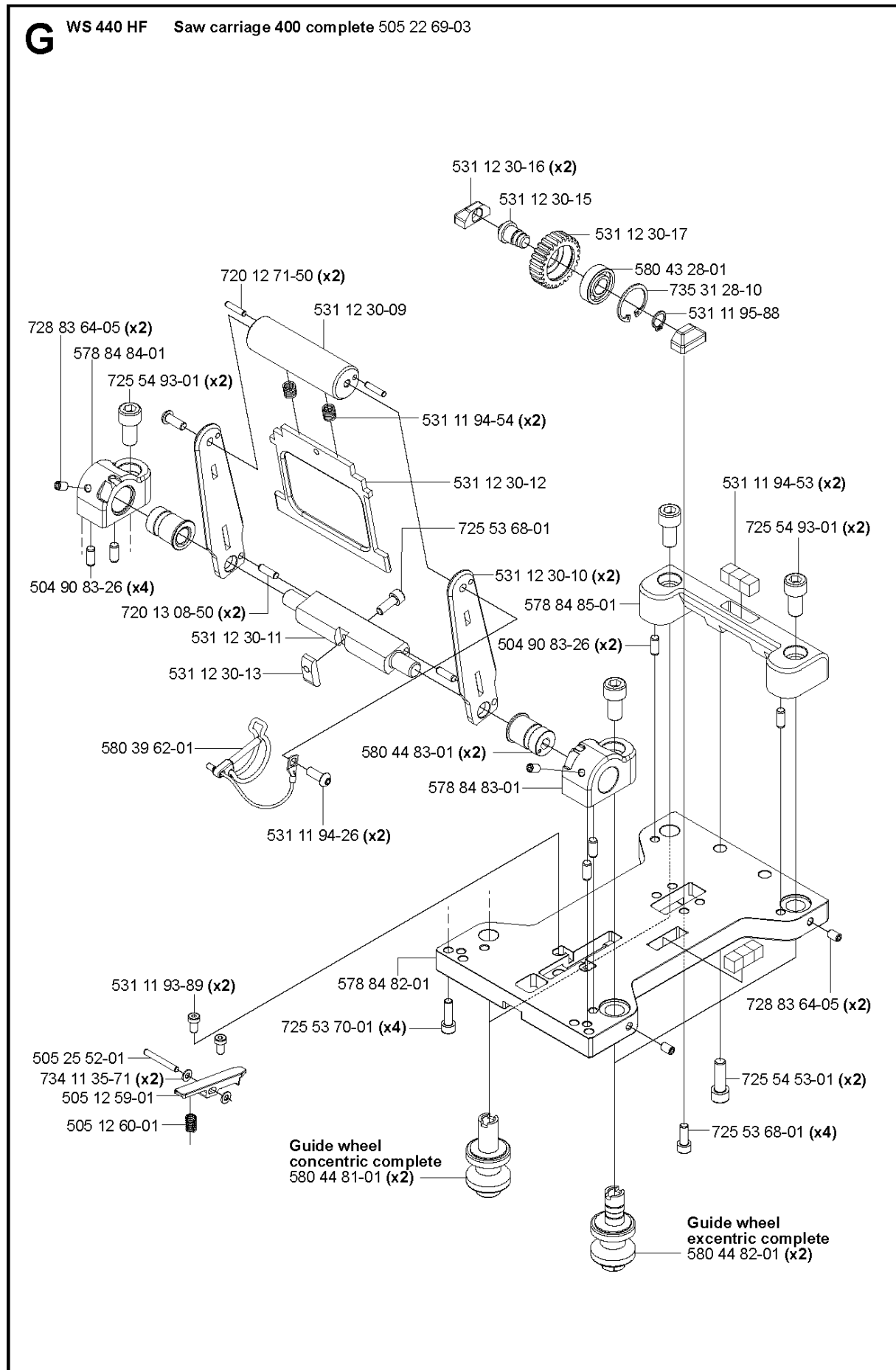
Part No	Description	Remark	QTY KIT
505 14 35-01	TYPE PLATE		1
505 24 66-01	O-RING		1
505 52 84-01	VALVE		1
505 53 80-01	QUICK COUPLING		1
505 55 56-01	PLUG		1
516 04 33-01	SCREW		1
522 83 94-01	BEARING		1
522 83 95-01	BEARING		1
531 11 82-19	QUICK COUPLING		1
531 11 83-56	ADAPTER		1
531 11 90-63	NIPPLE		1
531 11 91-49	BEARING		1
531 11 92-49	CAP NUT		1
531 11 92-93	O-RING		1
531 11 95-11	SCREW		1
531 11 95-44	SCREW		1
531 12 30-20	PLATE		1
531 12 32-12	TUBE		1
531 12 32-14	MOUNTING PLATE		1
573 96 27-01	SPACING BLOCK		1
574 26 34-01	BLOCK		1
577 88 62-01	SPACER		1
578 11 32-01	HOUSING		1
579 16 48-01	CONNECTOR		1
580 65 71-01	MOTOR ASSY		1
580 68 65-01	HANDLE		1
583 85 63-01	TYPE PLATE		1
725 53 27-01	SCREW IHSCM		1
725 53 33-01	SCREW IHSCM		1
725 54 51-01	SCREW IHSCM		1
725 54 53-01	SCREW IHSCM		1
725 63 27-51	SCREW IHCSFM		1
725 63 66-51	SCREW IHCSFM		1
734 11 52-01	WASHER		1
740 38 27-01	SEALING WASHER		1



PIVOTING ARM

WS440 HF, Valid from machine no. 8382, 2012-07

Ref	Part No	Description	Remark	QTY KIT
505 11 65-01	505 11 65-01	PIVOTING ARM		1
505 53 89-01	505 53 89-01	BEARING		1
505 53 90-01	505 53 90-01	BEARING		1
506 06 85-01	506 06 85-01	SCREW		1
522 52 62-02	522 52 62-02	DRIVER		1
522 52 63-01	522 52 63-01	MANIFOLD		1
522 52 64-01	522 52 64-01	INTERLAYER		1
522 72 01-01	522 72 01-01	GASKET		1
529 28 14-01	529 28 14-01	BEARING CAGE		1
529 28 11-01	529 28 11-01	REAR COVER		1
529 28 12-01	529 28 12-01	BEARING COVER		1
529 28 17-01	529 28 17-01	LID		1
529 28 20-02	529 28 20-01	GEAR WHEEL		1
531 11 81-13	531 11 81-13	PLUG		1
531 11 91-83	531 11 91-83	WASHER		1
531 11 92-74	531 11 92-74	O-RING		1
531 11 93-60	531 11 93-60	O-RING		1
531 11 93-64	531 11 93-64	SPRING		1
531 11 94-51	531 11 94-51	O-RING		1
531 11 96-01	531 11 96-01	SEALING		1
531 12 20-49	531 12 20-49	SEALING PLUG		1
531 12 30-35	531 12 30-35	SHAFT		1
531 12 32-65	531 12 32-65	SHAFT		1
531 12 32-70	587 14 96-01	CLUTCH COVER		1
574 44 39-01	574 44 39-01	RING		1
574 45 20-01	574 45 20-01	BEARING		1
574 45 21-01	574 45 21-01	BEARING		1
574 45 22-01	574 45 22-01	SEAL		1
574 45 24-01	574 45 24-01	O-RING		1
574 45 26-01	574 45 26-01	O-RING		1
574 45 29-01	574 45 29-01	O-RING		1
574 45 30-01	574 45 30-01	O-RING		1
574 45 32-01	574 45 32-01	SNAP RING		1
575 25 82-01	575 25 82-01	GEAR CASE		1
580 63 78-01	580 63 78-01	GEAR ASSY		1
580 65 23-01	580 65 23-01	PIVOTING ARM		1
580 67 79-01	580 67 79-01	SHAFT ASSY		1
720 13 51-50	720 13 51-50	PARALLEL PIN		1
725 25 44-91	725 25 44-91	SCREW EHHM		1
725 52 89-01	725 52 89-01	SCREW IHSCM		1
725 53 29-01	725 53 29-01	SCREW IHSCM		1
725 54 64-01	725 54 64-01	SCREW IHSCM		1
725 62 87-01	725 62 87-01	SCREW IHCSFM		1
725 63 68-51	725 63 68-51	SCREW IHCSFM		1
732 25 22-71	732 25 22-71	HEXAGON LOCKING NUT		1
734 11 63-01	734 11 63-01	WASHER		1
740 43 11-00	740 43 11-00	O-RING		1

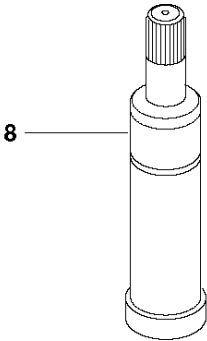
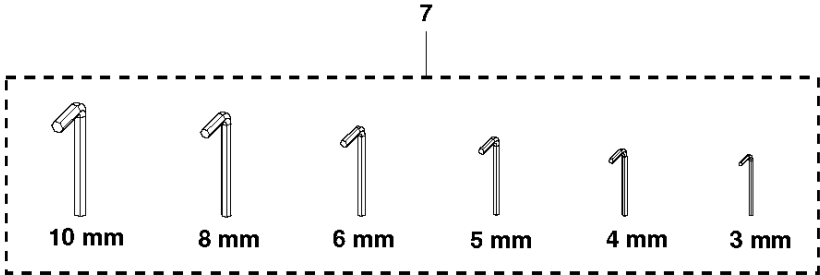
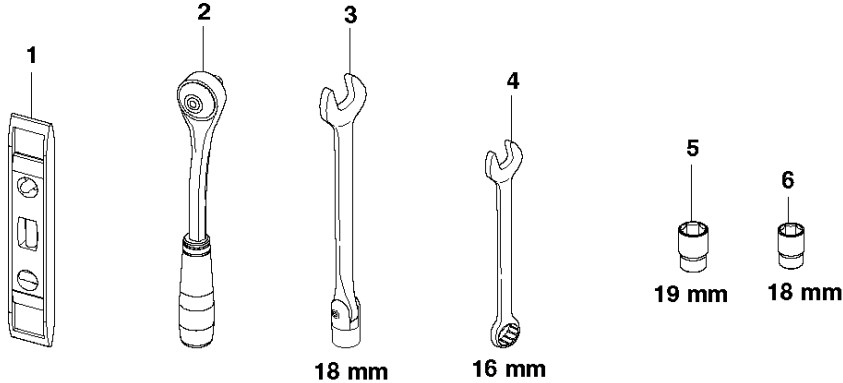


SAW CARRIAGE

WS440 HF, Valid from machine no. 8382, 2012-07

Part No	Description	Remark	QTY KIT
504 90 83-26	PIN		1
505 12 59-01	ROCKER LEVER		1
505 12 60-01	SPRING		1
505 22 69-03	CARRIAGE		1
505 25 52-01	PARALLEL PIN		1
531 11 93-89	SCREW		1
531 11 94-26	SCREW		1
531 11 94-53	BLOCK		1
531 11 94-54	SPRING		1
531 11 95-88	CLIP		1
531 12 30-09	HANDLE		1
531 12 30-10	BAR		1
531 12 30-11	SHAFT		1
531 12 30-12	HANDLE		1
531 12 30-13	COTTER		1
531 12 30-15	AUTOMATIC FEEDING SYSTEM		1
531 12 30-16	SHAFT		1
531 12 30-17	GEAR WHEEL		1
578 84 82-01	PLATE		1
578 84 83-01	HOLDER		1
578 84 84-01	HOLDER		1
578 84 85-01	SOCKET		1
580 39 62-01	LOCKING PIN		1
580 43 28-01	BEARING		1
580 44 81-01	WHEEL		1
580 44 82-01	WHEEL		1
580 44 83-01	SLEEVE		1
720 12 71-50	PARALLEL PIN		1
720 13 08-50	PARALLEL PIN		1
725 53 68-01	SCREW IHSCM		1
725 53 70-01	SCREW IHSCM		1
725 54 53-01	SCREW IHSCM		1
725 54 93-01	SCREW IHSCM		1
728 83 64-05	SCREW IHSETM		1
734 11 35-71	WASHER		1
735 31 28-10	CIRCLIP		1

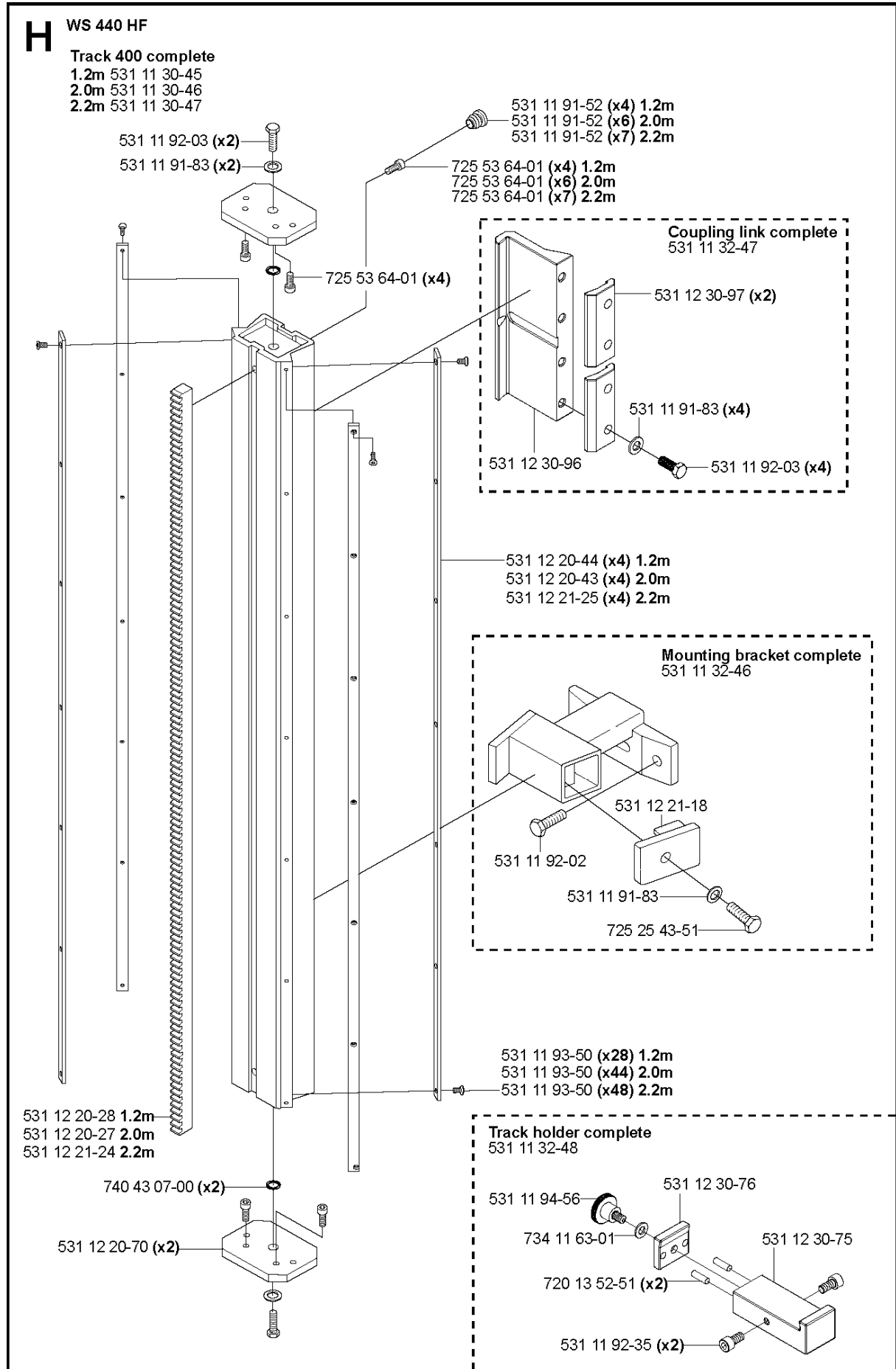
P WS 440 HF
Toolkit compl 501 37 52-01



TOOLS

WS440 HF, Valid from machine no. 8382, 2012-07

Ref	Part No	Description	Remark	QTY KIT
1	531 11 95-31	TOOL		1
2	531 11 95-32	TOOL		1
3	531 11 90-65	WRENCH		1
4	531 11 95-33	TOOL		1
5	531 11 95-41	SOCKET		1
6	531 11 95-34	SERVICE TOOLS		1
7	525 45 52-01	HEX KEY		1
8	531 11 91-08	GREASE GUN		1



TRACK SYSTEM

WS440 HF, Valid from machine no. 8382, 2012-07

Part No	Description	Remark	QTY KIT
531 11 30-45	TRACK		1
531 11 30-46	TRACK		1
531 11 30-47	TRACK		1
531 11 32-46	BRACKET		1
531 11 32-47	COUPLING		1
531 11 32-48	HOLDER ASSY		1
531 11 91-52	RUBBER PLUG		1
531 11 91-83	WASHER		1
531 11 92-02	SCREW		1
531 11 92-03	SCREW		1
531 11 92-35	SCREW		1
531 11 93-50	SCREW		1
531 11 94-56	SCREW		1
531 12 20-27	GEAR		1
531 12 20-28	GEAR		1
531 12 20-43	GUIDE RAIL		1
531 12 20-44	GUIDE		1
531 12 20-70	PLATE		1
531 12 21-18	WASHER		1
531 12 21-24	GEAR		1
531 12 21-25	GUIDE		1
531 12 30-75	BRACKET		1
531 12 30-76	PLATE		1
531 12 30-96	COUPLING		1
531 12 30-97	PLATE		1
720 13 52-51	PARALLEL PIN		1
725 25 43-51	SCREW EHHM		1
725 53 64-01	SCREW IHSCM		1
734 11 63-01	WASHER		1
740 43 07-00	O-RING		1