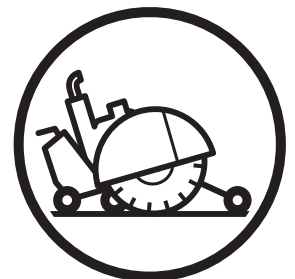


**Operator's manual**  
**Manuel d'utilisation**  
**Manual de instrucciones**  
**FS 400 LV**



Please read the operator's manual carefully and make sure you understand the instructions before using the machine.  
Lire attentivement et bien assimiler le manuel d'utilisation avant d'utiliser la machine.  
Lea detenidamente el manual de instrucciones y asegúrese de entender su contenido antes de utilizar la máquina.

**US CA ES**

# KEY TO SYMBOLS

## Symbols on the machine:

**WARNING!** The machine can be a dangerous tool if used incorrectly or carelessly, which can cause serious or fatal injury to the operator or others.



Please read the operator's manual carefully and make sure you understand the instructions before using the machine.



Wear personal protective equipment. See instructions under the heading "Personal protective equipment".



Before moving, the blade must stop rotating.



Remove the blade prior to transport



**Environmental marking.** Symbols on the product or its packaging indicate that this product cannot be handled as domestic waste.



By ensuring that this product is taken care of correctly, you can help to counteract the potential negative impact on the environment and people that can otherwise result through the incorrect waste management of this product.

For more detailed information about recycling this product, contact your municipality, your domestic waste service or the shop from where you purchased the product.

**Other symbols/decals on the machine refer to special certification requirements for certain markets.**

## Explanation of warning levels

The warnings are graded in three levels.

### WARNING!



**WARNING!** Used if there is a risk of serious injury or death for the operator or damage to the surroundings if the instructions in the manual are not followed.

### CAUTION!



**CAUTION!** Used if there is a risk of injury to the operator or damage to the surroundings if the instructions in the manual are not followed.

### NOTICE!



**NOTICE!** Used if there is a risk of damage to materials or the machine if the instructions in the manual are not followed.

---

# CONTENTS

---

## Contents

### KEY TO SYMBOLS

Symbols on the machine: .....	2
Explanation of warning levels .....	2

### CONTENTS

Contents .....	3
----------------	---

### PRESENTATION

Dear customer! .....	4
Features .....	4

### PRESENTATION

What is what on the machine? .....	5
------------------------------------	---

### MACHINE'S SAFETY EQUIPMENT

General .....	6
---------------	---

### ASSEMBLING AND ADJUSTMENTS

General .....	7
Fitting the blade .....	7
Handle height .....	7
Cutting depth indicator .....	7

### BLADES

General .....	8
Water cooling .....	8
Diamond blades for different materials .....	8
Checking the blade .....	8
Transport and storage .....	8

### FUEL HANDLING

General .....	9
Fuel .....	9
Fueling .....	9
Transport and storage .....	9

### OPERATING

Protective equipment .....	10
General safety precautions .....	10
Transport and storage .....	11

### STARTING AND STOPPING

Before starting .....	12
Starting .....	12
Stopping .....	12

### MAINTENANCE

General .....	13
Maintenance schedule .....	13
Cleaning .....	13
Functional inspection .....	14
Greasing .....	14
Worn product .....	14

### TECHNICAL DATA

Technical data .....	15
----------------------	----

### US WARRANTY STATEMENT

WARRANTY POLICY .....	16
EQUIPMENT .....	16

## Dear customer!

Thank you for choosing a Husqvarna product!

It is our wish that you will be satisfied with your product and that it will be your companion for a long time. A purchase of one of our products gives you access to professional help with repairs and services. If the retailer who sells your machine is not one of our authorised dealers, ask him for the address of your nearest service workshop.

This operator's manual is a valuable document. Make sure it is always at hand at the work place. By following its content (using, service, maintenance etc) the life span and the second-hand value of the machine can be extended. If you ever lend or sell this machine, make sure that the borrower or buyer gets the operator's manual, so they will also know how to properly maintain and use it.

## More than 300 years of innovation

Husqvarna AB is a Swedish company based on a tradition that dates back to 1689, when the Swedish King Charles XI ordered the construction of a factory for production of muskets. At that time, the foundation was already laid for the engineering skills behind the development of some of the world's leading products in areas such as hunting weapons, bicycles, motorcycles, domestic appliances, sewing machines and outdoor products.

Husqvarna is the global leader in outdoor power products for forestry, park maintenance and lawn and garden care, as well as cutting equipment and diamond tools for the construction and stone industries.

## User responsibility

It is the owner's/employer's responsibility that the operator has sufficient knowledge about how to use the machine safely. Supervisors and operators must have read and understood the Operator's Manual. They must be aware of:

- The machine's safety instructions.
- The machine's range of applications and limitations.
- How the machine is to be used and maintained.

National legislation could regulate the use of this machine. Find out what legislation is applicable in the place where you work before you start using the machine.

## The manufacturer's reservation

All information and all data in the Operator's Manual were applicable at the time the Operator's Manual was sent to print.

Husqvarna AB has a policy of continuous product development and therefore reserves the right to modify the design and appearance of products without prior notice.

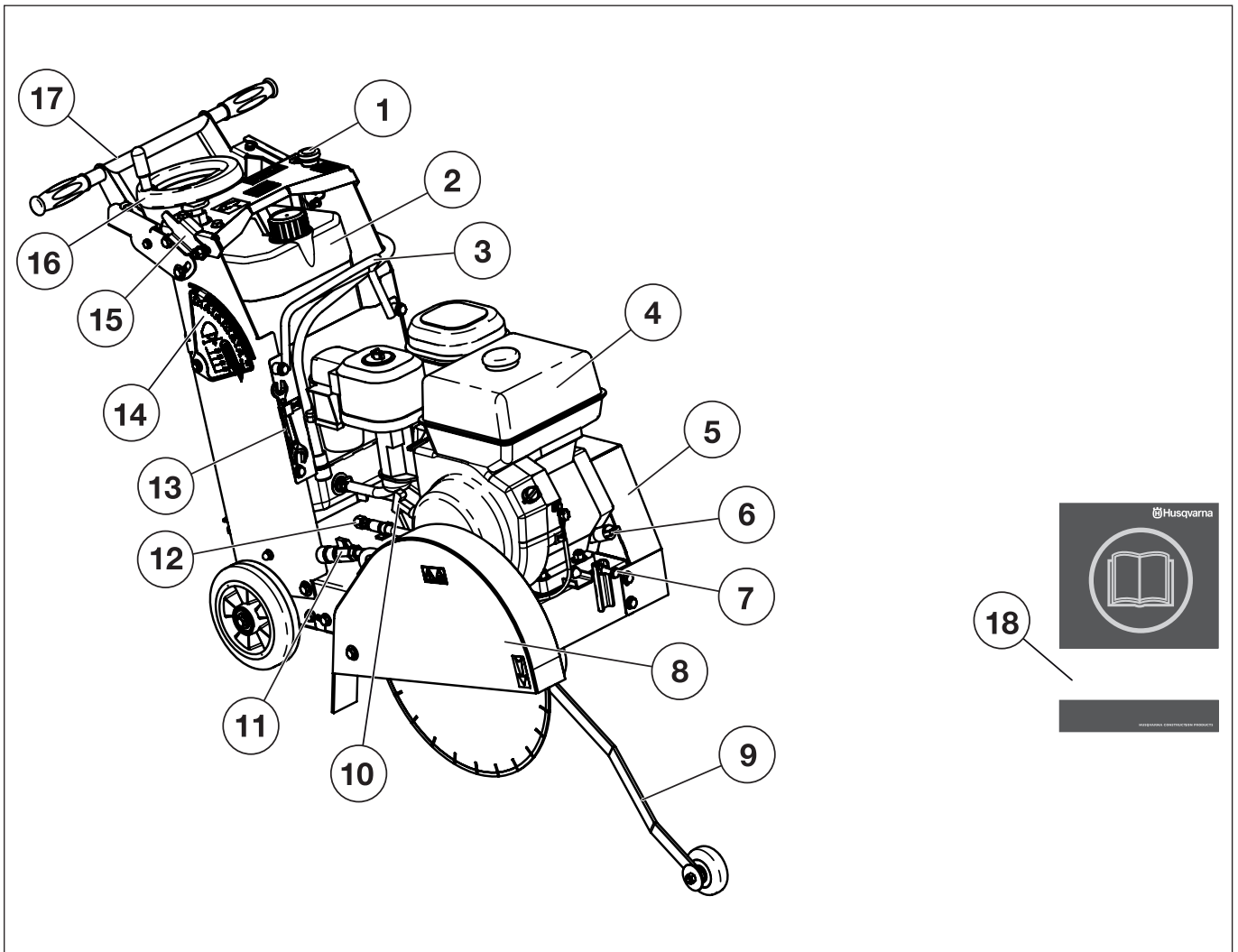
For customer assistance, contact us at our website:  
[www.husqvarna.com](http://www.husqvarna.com)

## Features

Values such as high performance, reliability, innovative technology, advanced technical solutions and environmental considerations distinguish Husqvarna's products.

Some of the unique features of your product are described below.

# PRESENTATION



## What is what on the machine?

- |                                 |                                 |
|---------------------------------|---------------------------------|
| 1 Emergency stop                | 10 Starter handle               |
| 2 Water tank                    | 11 Water tap                    |
| 3 Lifting eye                   | 12 Draining, engine oil         |
| 4 Fuel tank                     | 13 Service spanner              |
| 5 Protective cover - drive belt | 14 Cutting depth indicator      |
| 6 Engine oil fill               | 15 Locking lever, cutting depth |
| 7 Tension screw, drive belt     | 16 Feeding wheel, cutting depth |
| 8 Blade Guard                   | 17 Handle                       |
| 9 Front guide                   | 18 Operator's manual            |

# MACHINE'S SAFETY EQUIPMENT

## General



**WARNING!** Never use a machine that has faulty safety equipment! If your machine fails any of these checks contact your service agent to get it repaired.

The engine should be switched off, and the stop switch in STOP position.

This section describes the machine's safety equipment, its purpose, and how checks and maintenance should be carried out to ensure that it operates correctly.

## Emergency stop

The emergency stop is used to quickly switch off the engine.

### Testing the emergency stop

- Press the emergency stop and check that the engine stops.
- Disengage Emergency Stop button (twist clockwise).

## Blade Guard



**WARNING!** Always check that the blade guard is fitted correctly before starting the machine.

The blade guard is designed to prevent parts of the blade or cutting fragments from being thrown towards the user.

### Checking the blade guard

Check that the blade guard is not damaged or cracked. Replace the blade guard if it is exposed to impact or is cracked.

Always check that the guard is correctly fitted before starting the machine. Also check that the blade is fitted correctly and is not damaged in anyway. A damaged blade can cause personal injuries.

## Muffler



**WARNING!** Never use a machine without a muffler, or with a faulty muffler. A damaged muffler may substantially increase the noise level and the fire hazard. Keep fire fighting equipment handy.

The muffler gets very hot during and after use. This also applies during idling. Be aware of the fire hazard, especially when working near flammable substances and/or vapours.

The muffler is designed to keep noise levels to a minimum and to direct exhaust fumes away from the user.

### Inspecting the muffler

Check regularly that the muffler is complete and secured correctly.

# ASSEMBLING AND ADJUSTMENTS

## General

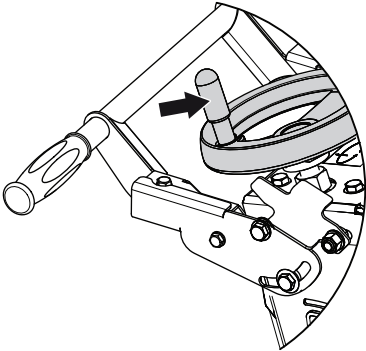


**WARNING!** Switch off the engine before carrying out any checks or maintenance.

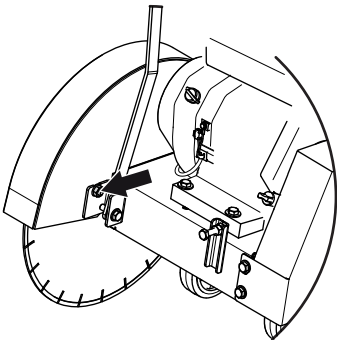
Check that the blade and the blade guard are correctly fitted before starting the machine.

## Fitting the blade

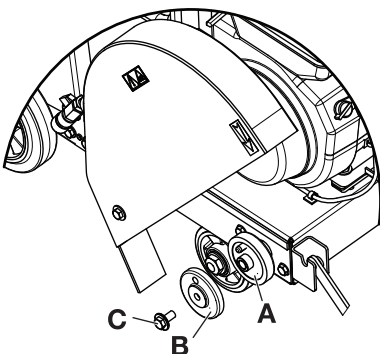
- Wind up the cutting depth feeding wheel.



- Switch off the water tap. Disconnect the water hose from the blade guard.
- Remove the screw. Tilt the blade guard.



- Check that the blade, blade flange and blade shaft are undamaged. Clean the contact surfaces of the blade and the blade flange.
- Check the blade's direction of rotation. The arrow on the blade indicates the direction of rotation.
- Fit the blade on the blade shaft (A). Fit the blade flange (B) over the blade. Tighten the screw (C) properly using the supplied spanner.



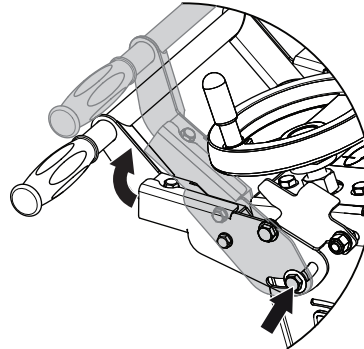
- Refit the blade guard and water hose.

- Test run the machine and check that no unusual sounds occur. Unusual sounds are a sign of an incorrectly mounted blade.

## Handle height

The height of the lever can be adjusted in height.

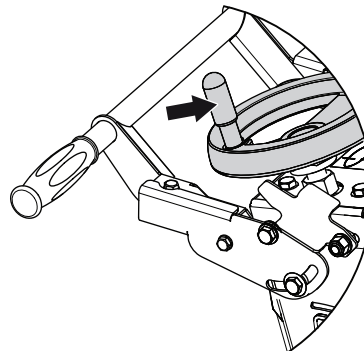
- Loosen the screw. Set handle to most comfortable working height. Tighten the screw.



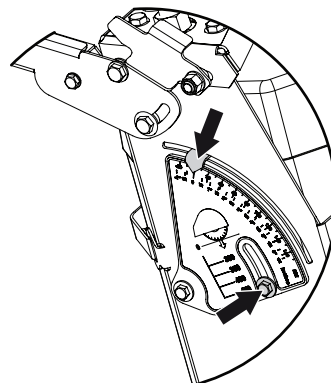
## Cutting depth indicator

The indicator must be calibrated before it is taken into use.

- Wind down the blade so that it barely touches the ground.



- Loosen the screw. Position the indicator arrow to "0". Tighten the screw.



---

# BLADES

---

## General

- Diamond blades consist of a steel core provided with segments that contain industrial diamonds.
- Always use a sharp diamond blade.
- The blades should be marked with the same or a higher speed than that stated on the machine's rating plate.
- Never use blades other than original blades designed for the machine.

## Water cooling

Water cooling must always be used. This cools the blades and increases their life and prevents dust build-up.

## Diamond blades for different materials



**WARNING! Never use a blade for any other materials than that it was intended for.**

Husqvarna has a wide range of wet cutting blades for floor and wall cutting, including blades for everything from fresh to hardened concrete in different hardness classes as well as a comprehensive range of asphalt blades. Check with your Husqvarna dealer to see which blades are best suited for your usage.

## Checking the blade

- Check that the blade and the blade guard is not damaged or cracked. Replace the blade or the blade guard if it is exposed to impact or is cracked. Never use a damaged or worn blade.
- Check that the right amount of water reaches the blade.

## Transport and storage

- Inspect new blades for transport or storage damage.
- The blade should be removed from the machine after use and stored well. Store the blade dry.



# FUEL HANDLING

## General



**WARNING!** Running an engine in a confined or badly ventilated area can result in death due to asphyxiation or carbon monoxide poisoning.

Fuel and fuel fumes are highly inflammable and can cause serious injury when inhaled or allowed to come in contact with the skin. For this reason observe caution when handling fuel and make sure there is adequate ventilation.

The exhaust fumes from the engine are hot and may contain sparks which can start a fire. Never start the machine indoors or near combustible material!

Do not smoke and do not place any hot objects in the vicinity of fuel.

## Fuel

**NOTICE!** The machine is equipped with a four-stroke engine. Make sure that there is always sufficient oil in the engine.

## Gasoline

- Use good quality unleaded gasoline.
- The lowest recommended octane grade is 87 ((RON+MON)/2). If you run the engine on a lower octane grade than 87 so-called knocking can occur. This gives rise to a high engine temperature and increased bearing load, which can result in serious engine damage.

## Environment fuel

Use low-emission gasoline, also known as alkylate gasoline, if it is available.

## Engine oil

- Check the oil level before starting the machine. A too low oil level can cause serious damage to the engine. See instructions in the section "Maintenance".
- Never use oil intended for two-stroke engines.

## Fueling



**WARNING!** Always stop the engine and let it cool for a few minutes before refuelling.

When refuelling, open the fuel cap slowly so that any excess pressure is released gently.

Clean the area around the fuel cap.

Tighten the fuel cap carefully after refuelling.

Move the machine at least 10 ft (3 m) from the refuelling point before starting it.

Never start the machine:

- If you have spilled fuel or engine oil on the machine. Wipe off the spillage and allow remaining fuel to evaporate.
- If you have spilled fuel on yourself or your clothes, change your clothes. Wash any part of your body that has come in contact with fuel. Use soap and water.
- If the machine is leaking fuel. Check regularly for leaks from the fuel cap and fuel lines.

## Transport and storage

- Store and transport the machine and fuel so that there is no risk of any leakage or fumes coming into contact with sparks or naked flames, for example, from electrical machinery, electric motors, electrical relays/switches or boilers.
- When storing and transporting fuel always use approved containers intended for this purpose.

## Long-term storage

- When storing the machine for long periods the fuel tank must be emptied. Contact your local gas station to find out where to dispose of excess fuel.

# OPERATING

## Protective equipment

### General

- Do not use the machine unless you are able to call for help in the event of an accident.

### Personal protective equipment

You must use approved personal protective equipment whenever you use the machine. Personal protective equipment cannot eliminate the risk of injury but it will reduce the degree of injury if an accident does happen. Ask your dealer for help in choosing the right equipment.



**WARNING!** The use of products such as cutters, grinders, drills, that sand or form material can generate dust and vapours which may contain hazardous chemicals. Check the nature of the material you intend to process and use an appropriate breathing mask.

Long-term exposure to noise can result in permanent hearing impairment. So always use approved hearing protection. Listen out for warning signals or shouts when you are wearing hearing protection. Always remove your hearing protection as soon as the engine stops.

Always wear:

- Approved protective helmet
- Hearing protection
- Protective goggles or a visor
- Breathing mask
- Heavy-duty, firm grip gloves.
- Tight-fitting, heavy-duty and comfortable clothing that permits full freedom of movement.
- Boots with steel toe-caps and non-slip sole

### Other protective equipment

**IMPORTANT!** Sparks may appear and start a fire when you work with the machine. Always keep fire fighting equipment handy.

- Fire Extinguisher
- Always have a first aid kit nearby.

## General safety precautions

This section describes basic safety directions for using the machine. This information is never a substitute for professional skills and experience.

- Please read the operator's manual carefully and make sure you understand the instructions before using the machine.
- Keep in mind that the operator is responsible for accidents or hazards occurring to other people or their property.
- The machine must be kept clean. Signs and stickers must be fully legible.

## Always use common sense

It is not possible to cover every conceivable situation you can face. Always exercise care and use your common sense. If you get into a situation where you feel unsafe, stop and seek expert advice. Contact your dealer, service agent or an experienced user. Do not attempt any task that you feel unsure of!



**WARNING!** The machine can be a dangerous tool if used incorrectly or carelessly, which can cause serious or fatal injury to the operator or others.

Never allow children or other persons not trained in the use of the machine to use or service it.

Never allow anyone else to use the machine without first ensuring that they have understood the contents of the operator's manual.

Never use the machine if you are fatigued, while under the influence of alcohol or drugs, medication or anything that could affect your vision, alertness, coordination or judgement.



**WARNING!** Unauthorized modifications and/or accessories may lead to serious injury or death to the user or others. Under no circumstances may the design of the machine be modified without the permission of the manufacturer.

Do not modify this product or use it if it appears to have been modified by others.

Never use a machine that is faulty. Carry out the checks, maintenance and service instructions described in this manual. Some maintenance and service measures must be carried out by trained and qualified specialists. See instructions under the heading Maintenance.

Always use genuine accessories.

Your warranty may not cover damage or liability caused by the use of non-authorized accessories or replacement parts.



**WARNING!** This machine produces an electromagnetic field during operation. This field may under some circumstances interfere with active or passive medical implants. To reduce the risk of serious or fatal injury, we recommend persons with medical implants to consult their physician and the medical implant manufacturer before operating this machine.

---

# OPERATING

---

## Work area safety

- Observe your surroundings to ensure that nothing can affect your control of the machine.
- Ensure that no one/nothing can come into contact with the cutting equipment or be hit by parts if the blade breaks.
- Do not use the machine in bad weather, such as dense fog, heavy rain, strong wind, intense cold, etc. Working in bad weather is tiring and can lead to dangerous conditions, e.g. slippery surfaces.
- Never start to work with the machine before the working area is clear and you have a firm foothold. Look out for any obstacles with unexpected movement. Ensure when cutting that no material can become loose and fall, causing operating injury. Take great care when working on sloping ground.
- Ensure that the working area is sufficiently illuminated to create a safe working environment.
- Make sure that no pipes or electrical cables are routed in the working area or in the material to be cut.
- Check that electrical cables within the working area are not live.

## Basic working techniques

- This machine is designed and intended for cutting of fresh and hardened concrete in different hardness classes and of asphalt. Use in any other way is considered as contrary to the intended use.
- Always saw in a manner that permits easy access to the emergency stop.
- Check that no tools or other objects have been left lying on the machine.
- Never leave the machine unsupervised with the motor running.
- Always check that the blade guard is fitted correctly before starting the machine. Never cut without using the blade guard.
- Clearly mark out all cuts to be made before you start sawing, plan these so they can be carried out without danger to persons or the machine.
- Do not turn, rotate or move the machine sideways while the blade is rotating.
- Firmly secure or anchor concrete blocks before cutting. The heavy weight of cut material can cause extensive damage if it is not moved under controlled conditions.
- Make sure that there is always another person close at hand when you use the machines, so that you can call for help if an accident should occur.

## Jammed blade

A blade can become jammed because of:

- The tension of the drive belt
- Incorrect fuel type
- Too high feed rate
- Too sharp inclination of the work piece

Always loosen the blade from the groove and carefully inspect the machine before you continue to work.

## Transport and storage

- The machine is equipped with transportation wheels, and can easily be transported without the engine running. Make sure that the blade is in the top position before moving the machine.
- Remove the blade before transportation or storage of the machine.
- Observe care when lifting. You are handling heavy parts, which implies the risk of pinch injuries or other injuries.
- Always use the machine mounted lifting eye when lifting.
- Secure the equipment during transportation in order to avoid transport damage and accidents.
- For transport and storage of fuel, see the section "Fuel handling".
- For transport and storage of Blades, see the section "Blades".
- Store the equipment in a lockable area so that it is out of reach of children and unauthorized persons.
- If there is a risk of freezing, the machine must be drained of any remaining water coolant.

# STARTING AND STOPPING

## Before starting

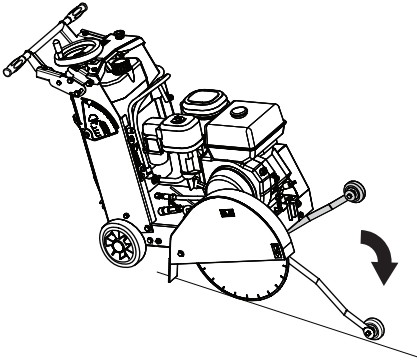


**WARNING! Please read the operator's manual carefully and make sure you understand the instructions before using the machine.**

**Wear personal protective equipment. See instructions under the heading "Personal protective equipment".**

**Make sure no unauthorised persons are in the working area, otherwise there is a risk of serious personal injury.**

- Perform daily maintenance. See instructions in the section "Maintenance".
- Fill the water tank or connect the machine to a water supply.
- Mark the cuts to be made.
- Lower the front guide and align the machine with the marking.



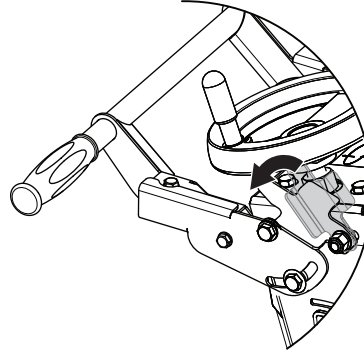
## Starting

### Start the engine

- Read the operator's manual supplied by the engine manufacturer.

## Start the cutting.

- Open the water tap.
- Run the engine on full throttle.
- Lower the wheel locking control for setting of cutting depth.



- Wind down the blade to the cutting depth required. Lower the blade slowly to avoid engine stop.
- Raise the wheel locking control for setting of the cutting depth.
- Slowly push the machine forwards. Make sure that the front guide and the blade do not deviate from the marking.

## Stopping

### Stop the cutting.

- Lower the wheel locking control for setting of cutting depth. Unwind the blade from the groove.
- Raise the wheel locking control for setting of the cutting depth.
- Switch off the water tap.

### Stop the engine

- Read the operator's manual supplied by the engine manufacturer.
- Move the power lever to the "STOP" position.

# MAINTENANCE

## General



**WARNING!** The user must only carry out the maintenance and service work described in this manual. More extensive work must be carried out by an authorized service workshop.

Switch off the engine before carrying out any checks or maintenance.

Wear personal protective equipment. See instructions under the heading "Personal protective equipment".

The life span of the machine can be reduced and the risk of accidents can increase if machine maintenance is not carried out correctly and if service and/or repairs are not carried out professionally. If you need further information please contact your nearest servicing dealer.

- Let your Husqvarna dealer regularly check the machine and make essential adjustments and repairs.

## Maintenance schedule

In the maintenance schedule you can see which parts of your machine that require maintenance, and with which intervals it should take place. The intervals are calculated based on daily use of the machine, and may differ depending on the rate of usage.

Daily maintenance
<b>Cleaning</b>
External cleaning
Air filter
Sediment cup
<b>Functional inspection</b>
General inspection
Engine oil
Drive belt
Emergency stop*
Blade guards*
Muffler*
Blade**
<b>Lubrication</b>
Blade shaft
Grease nipple for depth adjustment system

\*See instructions in the section "Machine's safety equipment".

\*\* See instructions in the section "Blades" and "Assembly and settings".

## Cleaning

### External cleaning

- Check that all couplings, connections and cables are intact and free from dirt.
- The blade is cooled by water being sprayed through small holes in the blade guard. Make sure that these small holes are unblocked so that the blade is properly cooled.

### Air filter

For cleaning and change of air filter, read the operator's manual supplied by the engine manufacturer.

- The air filter may need cleaning 2-3 times per day in extremely dusty environments.
- A damaged air filter must always be replaced.

### Spark plug

- If the machine is low on power, difficult to start or runs poorly at idle speed: always check the spark plug first before taking other steps.
- Ensure that the spark plug cap and ignition lead are undamaged to avoid the risk of electric shock.
- If the spark plug is dirty, clean it and at the same time check the electrode gap. Replace if necessary. See the supplied instruction manual for the engine.

**CAUTION!** Always use the recommended spark plug type! Use of the wrong spark plug can damage the piston/cylinder.

These factors cause deposits on the spark plug electrodes, which may result in operating problems and starting difficulties.

- An incorrect fuel mixture (too much or incorrect type of oil).
- A dirty air filter.

# MAINTENANCE

## Functional inspection

### General inspection

- Check that nuts and screws are tight.

### Engine oil

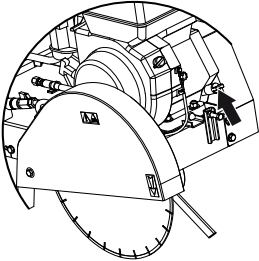


**CAUTION! Remember that oil can pose a hazard to health and the environment. Follow local regulations for disposal and recycling.**

For change of engine oil, read the operator's manual supplied by the engine manufacturer.

### Checking the engine's oil level.

- The engine must be placed in a horizontal position when checking the oil level. Dismantle the blade or take other measures to be able to tilt the machine so that the engine is placed in a horizontal position.
- Check oil level and top up if necessary. The oil level must never be below the lower measuring line.



- For the best result and function use HUSQVARNA engine oil.
- When HUSQVARNA engine oil is not available another high grade engine oil can be used. Use engine oil of quality SAE 10W-30, class API, MS, SD, SE or higher.
- Never use oil intended for two-stroke engines.

### Drive belt

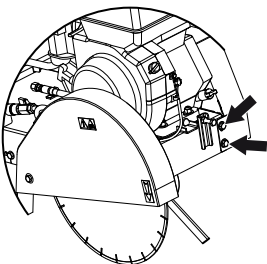
**NOTICE! Do not over-tension the drive belt.**

- Check that drive belt is not damaged and is not visibly defective.

### Tighten the drive belt

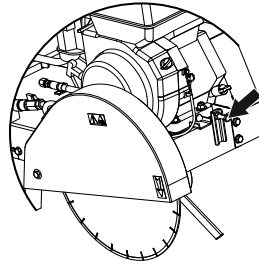
The tension of a new drive belt must be readjusted after one or two tanks of fuel have been used.

- Loosen the screws. Remove the cover.



- Loosen the screws holding the engine in place.

- Turn the tension screw a quarter turn. the engine will be pushed towards the rear, and the belt is tensioned.



- Make sure that the belt pulleys are parallel and aligned with each other. Tighten the screws holding the engine and then unscrew the tension screw 2 turns to prevent it coming into contact with the engine block. Refit the belt guard and tighten the screws holding the belt guard in place.

## Fuel system

### General

- Check that the fuel cap and its seal are not damaged.
- Check the fuel hose. Replace if necessary.

## Greasing

### Blade shaft

- Grease the blade shaft Connect the grease gun and pump 3-5 strokes or until grease can be seen at the edges. Only use lithium 12-based grease of quality NGL1 Grade 2.

### Grease nipple for depth adjustment system

Lubricate the grease nipples for setting of the cutting depth daily.

### Nut for feeding of cutting depth

Grease the feeding screw a couple of cm above and below the nut and adjust the saw up and down a couple of times to spread the grease.

## Worn product

This machine has the prerequisites to last for many years. This minimizes the machine's environmental impact. Perform service and maintenance according to the instructions in this manual. This way the engine will last longer and the hazardous emissions are minimized.

When the machine is worn out it should be disposed of for recycling or scrapping. Follow local regulations for disposal and recycling.

## Main materials

### Motor

Aluminium (AL), Steel (AC), Copper (CU), Polyamide (PA)

### Machine

Steel (AC), Fonte (FT), Aluminium (AL).

---

# TECHNICAL DATA

---

## Technical data

Cutting depth mm/inch	165/6,5
Machine with empty tanks, kg/lb	99/218
Operating weight, kg/lb	135/298
Dimensions (LxWxH), mm/inch	1220x600x1000/48,0x23,6x39,4
The rotation speed of the spindle (at engine speed 3700 rpm), rpm	2950
Engine oil	SAE 10W-30, class API, MS, SD, SE or higher.

---

# US WARRANTY STATEMENT

---

## WARRANTY POLICY

All warranty claims will be determined after inspection at a designated facility. A Returned Goods Authorization is required for all warranty claims. Contact Husqvarna Customer Service Department at 800-845-1312 for an RGA. The customer must prepay the freight and absorb any labor expense required to return or replace a product submitted for warranty consideration. Husqvarna will pay return shipping expenses for repaired or approved replacement products.

## EQUIPMENT

Equipment manufactured by Husqvarna is warranted to be free from manufacturing defects in normal service for a period of two (2) years from date of purchase by the original consumer purchaser. **Component manufacturers offer separate warranty periods. Call Technical Services at 800-288-5040 for complete information.**

Our obligation under this warranty is expressly limited to the replacement or repair at Husqvarna Construction Products North America, Olathe, Kansas 66061, or at a service facility designated by us, of such part or parts as inspection shall disclose to have been defective.

This warranty does not apply to defects caused by damage, unreasonable use, faulty repairs made by others than an approved Husqvarna servicing dealer, or defects caused by failure to provide reasonable maintenance, while in the possession of the consumer. Further, the warranty is void if the product, or any of its components, are altered or modified by the consumer purchaser, or if the product is used in an inappropriate manner or with tools not recommended by the manufacturer.

**Exceptions:** Drill motors - 3 months, Wall saws - 1 year, Power cutters - 3 months, DM230 - 1 year, DM225 - 3 months, Gyro systems - 1 year, CD40 system - 1 year, DS160 C - 1 year, Smart box - 1 year, CS2515 - 1 year, PP455 E - 1 year, PP345 E - 1 year, HP40 - 1 year.

**Wear items:** Filters, spark plugs, bearings\*, belts, wheels\*\* and wear pads.

\*Except IntelliSeal™ system. \*\*Except delamination.



# EXPLICATION DES SYMBOLES

## Symboles sur la machine:

AVERTISSEMENT! La machine utilisée de manière imprudente ou inadéquate peut devenir un outil dangereux, pouvant causer des blessures graves voire mortelles à l'utilisateur et aux autres personnes présentes.



Lire attentivement et bien assimiler le manuel d'utilisation avant d'utiliser la machine.



Utiliser les équipements de protection personnelle. Voir au chapitre "Équipement de protection personnelle".



Avant de procéder au déplacement, la lame doit cesser de tourner.



Retirer la lame avant de procéder au transport.



**Marquage environnemental.** Ce symbole figurant sur le produit ou sur son emballage indique que ce produit ne peut pas être traité comme déchet ménager.



En veillant à ce que ce produit soit correctement éliminé, vous pouvez contribuer à prévenir les conséquences négatives potentielles sur l'environnement et les hommes, qui pourraient sinon être le résultat d'un traitement incorrect des déchets de ce produit.

Pour des informations plus détaillées sur le recyclage de ce produit, contactez votre commune ou le magasin où vous avez acheté le produit.

**Les autres symboles/autocollants présents sur la machine concernent des exigences de certification spécifiques à certains marchés.**

## Explication des niveaux d'avertissement

Il existe trois niveaux d'avertissement.

### AVERTISSEMENT!



**AVERTISSEMENT!** Symbole utilisé en cas de risque de blessures très graves ou de mort pour l'utilisateur ou de dommages pour les environs si les instructions du manuel ne sont pas suivies.

### REMARQUE !



**REMARQUE !** Symbole utilisé en cas de risque de blessures pour l'utilisateur ou de dommages pour les environs si les instructions du manuel ne sont pas suivies.

### ATTENTION !

**ATTENTION !** Symbole utilisé en cas de risque de dommages pour les matériaux ou la machine si les instructions du manuel ne sont pas suivies.

---

# SOMMAIRE

---

## Sommaire

### EXPLICATION DES SYMBOLES

Symboles sur la machine: .....	17
Explication des niveaux d'avertissement .....	17

### SOMMAIRE

Sommaire .....	18
----------------	----

### PRÉSENTATION

Cher client, .....	19
Fonctions .....	19

### PRÉSENTATION

Quels sont les composants de la machine ? .....	20
---	----

### ÉQUIPEMENT DE SÉCURITÉ DE LA MACHINE

Généralités .....	21
-------------------	----

### MONTAGE ET RÉGLAGES

Généralités .....	22
Montage de la lame .....	22
Hauteur de la poignée. ....	22
Indicateur de profondeur de coupe .....	22

### LAMES

Généralités .....	23
Refroidissement par eau .....	23
Lames diamant pour matériaux divers .....	23
Contrôle de la lame .....	23
Transport et rangement .....	23

### MANIPULATION DU CARBURANT

Généralités .....	24
Carburant .....	24
Remplissage de carburant .....	24
Transport et rangement .....	24

### COMMANDE

Équipement de protection .....	25
Instructions générales de sécurité .....	25
Transport et rangement .....	26

### DÉMARRAGE ET ARRÊT

Avant le démarrage .....	27
Démarrage .....	27
Arrêt .....	27

### ENTRETIEN

Généralités .....	28
Schéma d'entretien .....	28
Nettoyage .....	28
Contrôle fonctionnel .....	28
Graissage .....	29
Produit usé .....	29

### CARACTÉRISTIQUES TECHNIQUES

Caractéristiques techniques .....	30
-----------------------------------	----

### DECLARATION DE GARANTIE ETATS-UNIS

POLITIQUE DE GARANTIE .....	31
EQUIPEMENT .....	31

---

# PRÉSENTATION

---

## **Cher client,**

Nous vous remercions d'avoir choisi un produit Husqvarna !

Nous espérons que cette machine vous donnera toute satisfaction et qu'elle vous accompagnera pendant de longues années. L'achat de l'un des nos produits garantit une assistance professionnelle pour l'entretien et les réparations. Si la machine n'a pas été achetée chez l'un de nos revendeurs autorisés, demandez l'adresse de l'atelier d'entretien le plus proche.

Ce mode d'emploi est précieux. Veillez à ce qu'il soit toujours à portée de main sur le lieu de travail. En suivant les instructions qu'il contient (utilisation, révision, entretien, etc.), il est possible d'allonger considérablement la durée de vie de la machine et d'augmenter sa valeur sur le marché de l'occasion. En cas de vente de la machine, ne pas oublier de remettre le manuel d'utilisation au nouveau propriétaire.

## **Plus de 300 ans d'innovation**

Husqvarna AB est une entreprise suédoise qui a vu le jour en 1689 lorsque le roi Karl XI décida de construire un arsenal pour la fabrication des mousquets. À l'époque, les compétences en ingénierie à la base du développement de certains des produits leaders du marché mondial dans des domaines tels que les armes de chasse, les vélos, les motos, l'électroménager, les machines à coudre et les produits d'extérieur, étaient déjà solides.

Husqvarna est le premier fournisseur mondial de produits motorisés pour utilisation en extérieur dans la foresterie, l'entretien de parcs, de pelouses et de jardins, ainsi que d'équipements de coupe et d'outils diamant destinés aux industries de la construction et de la pierre.

## **Responsabilité de l'utilisateur**

Il est de la responsabilité du propriétaire/de l'employeur de s'assurer que l'utilisateur possède les connaissances nécessaires pour manipuler la machine en toute sécurité. Les responsables et les utilisateurs doivent avoir lu et compris le Manuel d'utilisation. Ils doivent avoir conscience :

- Des instructions de sécurité de la machine.
- Des diverses applications de la machine et de ses limites.
- De la façon dont la machine doit être utilisée et entretenue.

La législation nationale peut réglementer l'utilisation de cette machine. Recherchez la législation applicable dans le lieu où vous travaillez avant d'utiliser la machine.

## **Droit de réserve du fabricant**

Toutes les informations et toutes les données indiquées dans ce manuel d'utilisation étaient valables à la date à laquelle ce manuel a été porté à l'impression.

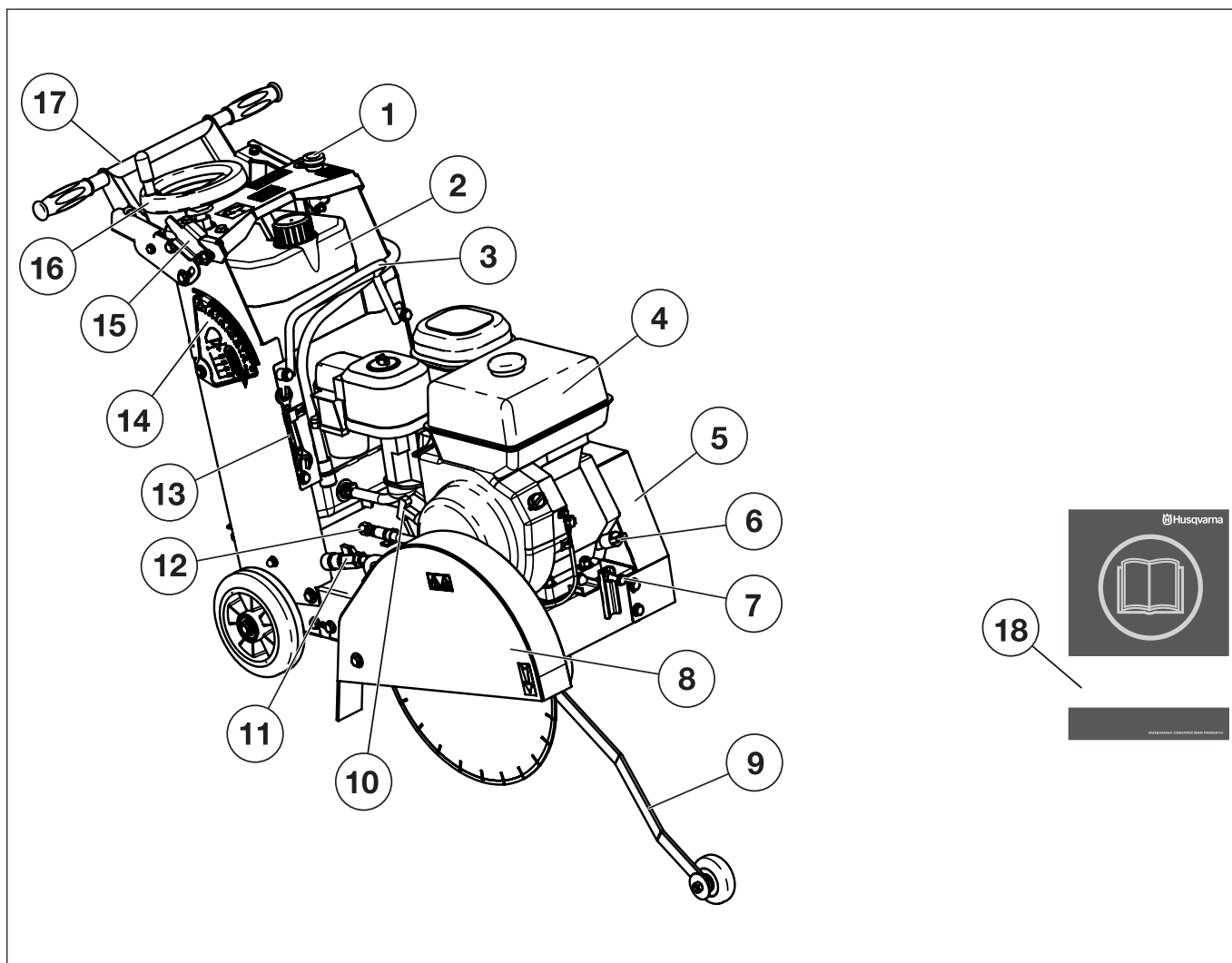
Husqvarna AB travaille continuellement au développement de ses produits et se réserve le droit d'en modifier, entre autres, la conception et l'aspect sans préavis.

## **Fonctions**

Les produits Husqvarna se distinguent par des valeurs telles que la haute performance, la fiabilité, la technologie innovante, les solutions techniques de pointe et les considérations environnementales.

Certaines des caractéristiques uniques de votre produit sont décrites ci-dessous.

# PRÉSENTATION



## Quels sont les composants de la machine ?

- |   |  |
|---|--|
| 1 Arrêt d'urgence                                   | 10 Poignée de lanceur                          |
| 2 Réservoir d'eau                                   | 11 Robinet d'eau                               |
| 3 Œillet de levage                                  | 12 Vidange, huile moteur                       |
| 4 Réservoir d'essence                               | 13 Clé d'entretien                             |
| 5 Couvercle de protection - courroie d'entraînement | 14 Indicateur de profondeur de coupe           |
| 6 Remplissage d'huile                               | 15 Levier de verrouillage, profondeur de coupe |
| 7 Vis de tension, courroie d'entraînement           | 16 Roue d'alimentation, profondeur de coupe    |
| 8 Protège-lame                                      | 17 Poignée                                     |
| 9 Guide avant                                       | 18 Manuel d'utilisation                        |

# ÉQUIPEMENT DE SÉCURITÉ DE LA MACHINE

## Généralités



**AVERTISSEMENT!** Ne jamais utiliser une machine dont les équipements de sécurité sont défectueux. Si les contrôles ne donnent pas de résultat positif, confier la machine à un atelier spécialisé.

Le moteur doit être éteint et le bouton d'arrêt en position STOP.

Ce chapitre présente les équipements de sécurité de la machine, leur fonction, comment les utiliser et les maintenir en bon état.

### Arrêt d'urgence

L'arrêt d'urgence est utilisé pour arrêter rapidement le moteur.

#### Test de l'arrêt d'urgence

- Appuyez sur l'arrêt d'urgence et vérifiez que le moteur s'arrête.
- Libérez le bouton d'arrêt d'urgence (tournez dans le sens des aiguilles d'une montre).

### Protège-lame



**AVERTISSEMENT!** Toujours contrôler que le protège-lame est monté correctement avant de démarrer la machine.

Le protège-lame a pour fonction d'empêcher que des éclats du disque ou du matériau découpé ne soient projetés en direction de l'utilisateur.

#### Contrôle du protège-lame

Contrôler le protège-lame afin de détecter d'éventuels dommages ou fissures. Remplacer le protège-lame s'il a subi des dommages ou s'il présente des fissures.

Toujours contrôler que la protection est montée correctement avant de démarrer la machine. Contrôler aussi que la lame est correctement montée et n'est pas abîmée. Une lame abîmée peut engendrer des blessures.

## Silencieux



**AVERTISSEMENT!** N'utilisez jamais une machine sans silencieux ou avec un silencieux défectueux. Si le silencieux est défectueux, le niveau sonore et le risque d'incendie augmentent considérablement. Veillez à disposer des outils nécessaires à l'extinction d'un feu.

Un silencieux devient très chaud en cours d'utilisation et le reste après l'arrêt. Cela est également vrai pour le régime au ralenti. Soyez très attentif aux risques d'incendie, surtout quand vous manipulez des gaz et/ou des substances inflammables.

Le silencieux est conçu pour réduire au maximum le niveau sonore et détourner les gaz d'échappement loin de l'utilisateur.

#### Contrôle du silencieux

Contrôler régulièrement que le silencieux est entier et qu'il est attaché correctement.

# MONTAGE ET RÉGLAGES

## Généralités

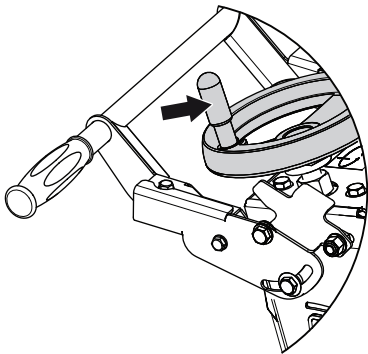


**AVERTISSEMENT!** Tout contrôle et/ou entretien doit être effectué avec le moteur à l'arrêt.

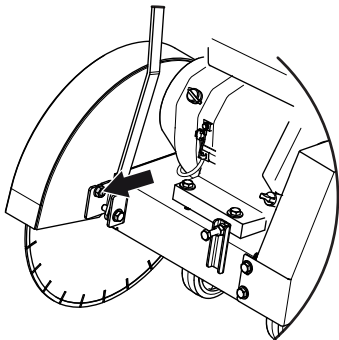
Vérifier que la lame et le protège-lame sont montés correctement avant de démarrer la machine.

## Montage de la lame

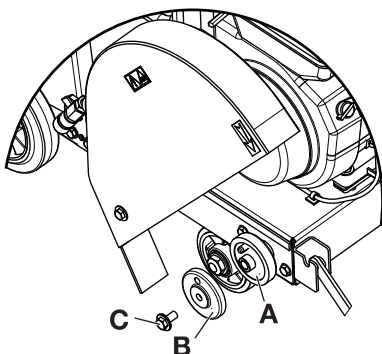
- Remonter la roue d'alimentation de profondeur de coupe.



- Fermer le robinet d'eau. Débranchez le flexible d'eau du protège-lame.
- Retirer la vis. Incliner le protège-lame.



- Vérifier que la lame, la bride de lame et l'axe de la lame ne sont pas endommagés. Nettoyer les surfaces de contact de la lame et de la bride de lame.
- Contrôlez le sens de rotation de la lame. La flèche présente sur la lame indique le sens de rotation.
- Poser la lame sur l'axe de lame (A). Poser la bride de lame (B) sur la lame. Serrer la vis (C) correctement à l'aide de la clé fournie.



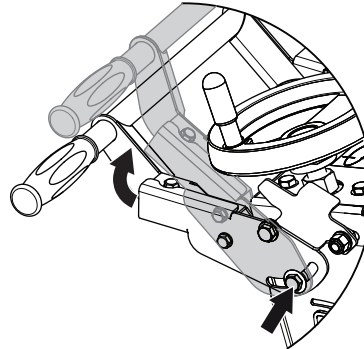
- Remettre le protège-lame et le tuyau d'eau en place.

- Tester la machine et vérifier qu'aucun bruit inhabituel ne se fait entendre. Des bruits inhabituels sont le signe d'une lame mal montée.

## Hauteur de la poignée.

La hauteur du levier peut être réglée en hauteur.

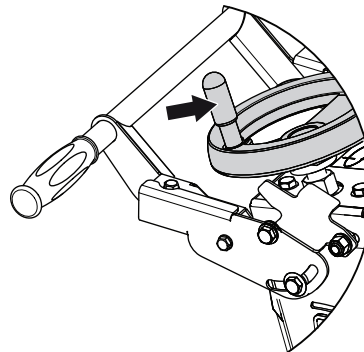
- Dévissez la vis. Placer la poignée à la hauteur de travail la plus confortable. Serrer la vis.



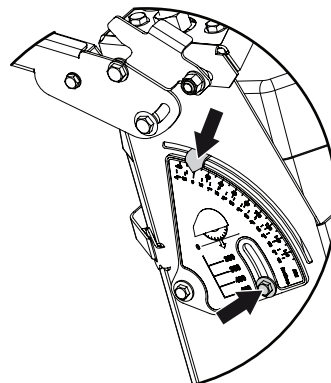
## Indicateur de profondeur de coupe

L'indicateur doit être étalonné avant utilisation.

- Abaisser la lame de façon à ce qu'elle touche à peine le sol.



- Dévissez la vis. Placer la flèche de l'indicateur sur « 0 ». Serrer la vis.



## Généralités

- Les disques diamant se composent d'une structure en acier et de segments contenant des diamants industriels.
- Toujours utiliser une lame diamant acérée.
- Les lames doivent être marquées d'un régime similaire ou supérieur à celui indiqué sur la plaque signalétique de la machine.
- Ne jamais utiliser des lames autres que les lames d'origine destinées à la machine.

## Refroidissement par eau

Toujours utiliser le refroidissement par eau. Ceci permet de refroidir les lames, d'augmenter leur durée de vie et de réduire la formation de poussière.

## Lames diamant pour matériaux divers



**AVERTISSEMENT! N'utilisez jamais une lame pour tout autre matériau que celui pour lequel elle est destinée.**

Husqvarna propose une large gamme de lames de découpe à l'eau pour la découpe des planchers et des murs, dont des lames destinées à tous les matériaux, allant du béton frais au béton renforcé, dans différentes classes de dureté, ainsi qu'une gamme complète de lames pour asphalte. Demander à votre revendeur Husqvarna quelle est la lame la plus appropriée pour votre utilisation.

## Contrôle de la lame

- Vérifiez la lame et le protège-lame afin de détecter d'éventuels dommages ou fissures. Remplacez la lame ou le protège-lame s'ils ont subi des coups ou s'ils présentent des fissures. N'utilisez jamais une lame endommagée ou usée.
- Contrôler que la quantité correcte d'eau atteint la lame.

## Transport et rangement

- Inspecter les nouvelles lames pour détecter tout dommage dû au transport ou à l'entreposage.
- La lame doit être retirée de la machine après utilisation et être rangée dans un endroit sûr. Conserver la lame dans un endroit sec.

# MANIPULATION DU CARBURANT

## Généralités



**AVERTISSEMENT!** Faire tourner un moteur dans un local fermé ou mal aéré peut causer la mort par asphyxie ou empoisonnement au monoxyde de carbone.

Le carburant et les vapeurs de carburant sont très inflammables et peuvent causer des blessures graves en cas d'inhalation ou de contact avec la peau. Il convient donc d'observer la plus grande prudence lors de la manipulation du carburant et de veiller à disposer d'une bonne aération.

Les gaz d'échappement du moteur sont très chauds et peuvent contenir des étincelles pouvant provoquer un incendie. Par conséquent, ne jamais démarrer la machine dans un local clos ou à proximité de matériaux inflammables!

Ne fumez jamais ni ne placez d'objet chaud à proximité du carburant.

## Carburant

**ATTENTION!** La machine est équipée d'un moteur à quatre temps. Veiller à ce que le moteur contienne toujours suffisamment d'huile.

## Essence

- Utiliser une essence de qualité sans plomb.
- Le taux d'octane minimum recommandé est de 87 ((RON+MON)/2). Si l'on fait tourner le moteur avec une essence d'un taux d'octane inférieur à 87, des cognements peuvent se produire. Ceci entraîne une augmentation de la température du moteur et ainsi le risque d'avaries graves du moteur.

## Carburant écologique

Choisissez de l'essence écologique (alkylat) si vous pouvez vous en procurer.

## Huile moteur

- Contrôler le niveau d'huile avec de démarrer la machine. Un niveau d'huile trop bas risque d'endommager gravement le moteur. Voir les instructions au chapitre « Entretien ».
- Ne jamais utiliser d'huile pour moteurs à deux temps.

## Remplissage de carburant



**AVERTISSEMENT!** Arrêter le moteur et le laisser refroidir pendant quelques minutes avant de faire le plein.

Ouvrir le bouchon du réservoir lentement pour laisser baisser la surpression pouvant régner dans le réservoir.

Nettoyez le pourtour du bouchon de réservoir.

Serrer soigneusement le bouchon du réservoir après le remplissage.

Avant de mettre la machine en marche, la déplacer à au moins 3 mètres de l'endroit où a été fait le plein.

Ne jamais démarrer la machine:

- Si du carburant ou de l'huile moteur ont été répandus sur la machine. Essuyer soigneusement toutes les éclaboussures et laisser les restes d'essence s'évaporer.
- Si vous avez renversé du carburant sur vous ou sur vos vêtements, changez de vêtements. Lavez les parties du corps qui ont été en contact avec le carburant. Utilisez de l'eau et du savon.
- S'il y a fuite de carburant. Vérifier régulièrement que le bouchon du réservoir et la conduite de carburant ne fuient pas.

## Transport et rangement

- Transporter et ranger la machine et le carburant de façon à éviter que toute fuite ou émanation éventuelle entre en contact avec une flamme vive ou une étincelle: machine électrique, moteur électrique, contact/interrupteur électrique ou chaudière.
- Lors du stockage et du transport de carburant, toujours utiliser un récipient homologué et conçu à cet effet.

## Remisage prolongé

- Lors des remisages de la machine, vider le réservoir de carburant. S'informer auprès d'une station-service comment se débarrasser du carburant résiduel.



## Équipement de protection

### Généralités

- Ne jamais utiliser une machine s'il n'est pas possible d'appeler au secours en cas d'accident.

### Équipement de protection personnelle

Un équipement de protection personnelle homologué doit impérativement être utilisé lors de tout travail avec la machine. L'équipement de protection personnelle n'élimine pas les risques mais réduit la gravité des blessures en cas d'accident. Demander conseil au concessionnaire afin de choisir un équipement adéquat.



**AVERTISSEMENT!** L'utilisation de produits tels que des ciseaux, des disques, des forets, des disques fins ou des formes peut générer de la poussière et des vapeurs pouvant contenir des substances chimiques toxiques. Vérifiez la composition du matériel avec lequel vous travaillez et portez un masque respiratoire adapté.

Une exposition prolongée au bruit risque de causer des lésions auditives permanentes. Toujours utiliser des protecteurs d'oreille agréés. Soyez toujours attentifs aux signaux d'alerte ou aux appels en portant des protège-oreilles. Enlevez-les sitôt le moteur arrêté.

Toujours utiliser:

- Casque de protection homologué
- Protecteur d'oreilles
- Lunettes protectrices ou visière
- Masque respiratoire
- Gants solides permettant une prise sûre.
- Vêtements confortables, robustes et serrés qui permettent une liberté totale de mouvement.
- Bottes avec coquille en acier et semelle antidérapante

### Autre équipement de protection

**IMPORTANT!** Lorsque vous travaillez avec la machine, des étincelles peuvent se former et mettre le feu. Gardez toujours à portée de main les outils nécessaires à l'extinction d'un feu.

- Extincteur
- Une trousse de premiers secours doit toujours être disponible.

### Instructions générales de sécurité

Le présent chapitre décrit les consignes de sécurité de base relatives à l'utilisation de la machine. Aucune de ces informations ne peut remplacer l'expérience et le savoir-faire d'un professionnel.

- Lire attentivement et bien assimiler le manuel d'utilisation avant d'utiliser la machine.
- N'oubliez pas que l'opérateur est responsable des accidents ou dangers aux tiers et à leurs biens.
- La machine doit rester propre. Les signes et autocollants doivent être parfaitement lisibles.

### Utilisez toujours votre bon sens

Il est impossible de mentionner toutes les situations auxquelles vous pouvez être confronté. Soyez toujours vigilant et utilisez l'appareil avec bon sens. Si vous êtes confronté à une situation où vous pensez ne pas être en sécurité, arrêtez immédiatement et consultez un spécialiste. Veillez contacter votre revendeur, votre atelier de réparation ou un utilisateur expérimenté. Il convient d'éviter tous les travaux pour lesquels vous ne vous sentez pas suffisamment qualifié !



**AVERTISSEMENT!** La machine utilisée de manière imprudente ou inadéquate peut devenir un outil dangereux, pouvant causer des blessures graves voire mortelles à l'utilisateur et aux autres personnes présentes.

Ne jamais permettre à des enfants ou à des personnes ne possédant pas la formation nécessaire d'utiliser ou d'entretenir la machine.

Ne jamais laisser d'autres personnes utiliser la machine sans s'être assuré au préalable que ces personnes ont bien compris le contenu du mode d'emploi.

N'utilisez jamais la machine si vous êtes fatigué, avez bu de l'alcool ou pris des médicaments susceptibles d'affecter votre vue, votre jugement ou la maîtrise de votre corps.



**AVERTISSEMENT!** Toute modification non autorisée et/ou tout emploi d'accessoires non homologués peuvent provoquer des accidents graves voire mortels pour l'utilisateur et les autres. Ne jamais modifier sous aucun prétexte la machine sans l'autorisation du fabricant.

Ne modifiez jamais cette machine de façon à ce qu'elle ne soit plus conforme au modèle d'origine et n'utilisez jamais une machine qui semble avoir été modifiée.

Ne jamais utiliser une machine qui n'est pas en parfait état de marche. Suivre dans ce manuel d'utilisation les instructions de maintenance, de contrôle et d'entretien. Certaines mesures de maintenance et d'entretien doivent être confiées à un spécialiste dûment formé et qualifié. Voir au chapitre Entretien.

N'utiliser que des accessoires et des pièces d'origine.

Votre garantie ne couvre ni les dommages ni la responsabilité qu'entraîne l'utilisation de pièces ou d'accessoires non autorisés.

# COMMANDE



**AVERTISSEMENT!** Cette machine génère un champ électromagnétique en fonctionnement. Ce champ peut dans certaines circonstances perturber le fonctionnement d'implants médicaux actifs ou passifs. Pour réduire le risque de blessures graves ou mortelles, les personnes portant des implants médicaux doivent consulter leur médecin et le fabricant de leur implant avant d'utiliser cette machine.

## Sécurité dans l'espace de travail

- Observez la zone environnante et assurez-vous qu'aucun facteur ne risque d'affecter votre contrôle de la machine.
- Assurez-vous que personne/rien ne peut se trouver en contact avec l'équipement de coupe ou être touché par des pièces si le disque se rompt.
- Ne pas travailler par mauvais temps: brouillard épais, pluie diluvienne, vent violent, grand froid, etc. Travailler par mauvais temps est fatiguant et peut créer des conditions de travail dangereuses telles que le verglas.
- Ne jamais commencer à travailler avec la machine sans avoir le champ libre et les pieds bien d'aplomb. Identifier les obstacles éventuels dans le cas de déplacement inattendu. S'assurer qu'aucun matériau ne risque de tomber et de provoquer des blessures ou des dommages lors de travail avec la machine. Redoubler de prudence en cas de travail dans un terrain en pente.
- S'assurer que l'éclairage de la zone de travail est suffisant pour que l'environnement de travail soit de toute sécurité.
- Assurez-vous qu'aucun tuyau ou câble électrique ne passe par la zone de travail ou dans le matériau à découper.
- Contrôlez que les câbles électriques présents dans la zone de travail ne sont pas sous tension.

## Techniques de travail de base

- Cette machine est conçue pour la découpe du béton frais et renforcé dans différentes classes de dureté, et de l'asphalte. Toute autre utilisation est considérée comme contraire à l'utilisation prévue.
- Ne sciez jamais d'une manière vous empêchant l'accès au bouton d'arrêt d'urgence.
- Vérifiez qu'aucun outil ou autre objet n'a été posé sur la machine.
- Ne laissez jamais la machine sans surveillance avec le moteur en marche.
- Toujours contrôler que le protège-lame est monté correctement avant de démarrer la machine. Ne procédez jamais à une découpe sans utiliser le protège-lame.
- Avant le sciage, toutes les entailles doivent être marquées clairement et planifiées de manière à pouvoir être effectuées sans danger pour les personnes ou la machine.
- Ne pas tourner, faire pivoter ou déplacer la machine sur le côté lorsque la lame tourne.
- Calez ou attachez solidement les blocs de béton avant de procéder à la découpe. Le poids élevé du matériau scié peut causer des blessures graves s'il ne peut être déplacé de façon maîtrisée.
- Lors de l'utilisation des machines, prévoyez toujours une personne à proximité afin de pouvoir obtenir de l'aide en cas d'accident.

## Lame bloquée

La lame peut se bloquer pour les raisons suivantes :

- Tension de la courroie d'entraînement
- Mauvais type de carburant
- Taux d'alimentation trop élevé
- Inclinaison trop importante de la pièce à travailler

Toujours dégager la lame de la rainure et inspecter soigneusement la machine avant de poursuivre le travail.

## Transport et rangement

- La machine est équipée de roues de transport et peut être facilement transportée sans que le moteur tourne. S'assurer que la lame est en position supérieure avant de déplacer la machine.
- Démontez la lame avant de transporter ou de remiser la machine.
- Faites preuve de prudence en cas de levage. Le maniement de pièces lourdes implique un risque de coinçage ou autre blessure.
- Pour soulever la machine, toujours utiliser l'œilleton de levage dont elle est munie.
- Sécurisez l'équipement lors du transport afin d'éviter tout dommage ou accident.
- Pour le transport et le remisage du carburant, voir la rubrique « Manipulation du carburant ».
- Pour le transport et le rangement des lames, voir la rubrique « Lames ».
- Stockez l'équipement dans un endroit verrouillé afin de le maintenir hors de portée des enfants et de toute personne incompétente.
- S'il y a un risque de gel, la machine doit être vidangée de toute eau de refroidissement restante.

# DÉMARRAGE ET ARRÊT

## Avant le démarrage

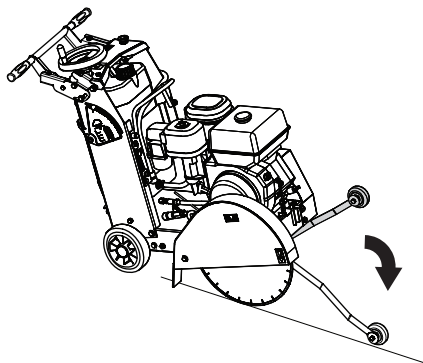


**AVERTISSEMENT!** Lire attentivement et bien assimiler le manuel d'utilisation avant d'utiliser la machine.

Utiliser les équipements de protection personnelle. Voir au chapitre "Équipement de protection personnelle".

Veiller à ce qu'aucune personne non autorisée ne se trouve dans la zone de travail pour éviter le risque de blessures graves.

- Effectuez un entretien quotidien. Voir les instructions au chapitre « Entretien ».
- Remplir le réservoir d'eau ou raccorder la machine à une alimentation en eau.
- Marquer les coupures à réaliser.
- Abaisser le guide avant et aligner la machine avec le marquage.



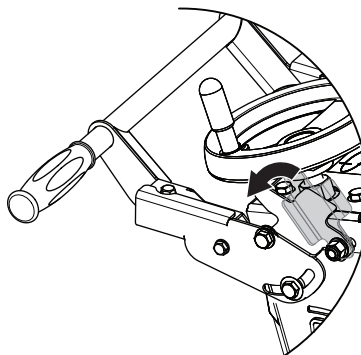
## Démarrage

### Démarrer le moteur

- Lire le manuel de l'opérateur fourni par le fabricant du moteur.

### Commencer la découpe.

- Ouvrir le robinet d'eau.
- Faire tourner le moteur à plein régime.
- Abaisser la commande de verrouillage de la roue de réglage de la profondeur de coupe.



- Abaisser la lame à la profondeur de coupe requise. Abaisser la lame lentement afin d'éviter l'arrêt du moteur.
- Relever la commande de verrouillage de la roue de réglage de la profondeur de coupe.
- Pousser lentement la machine vers l'avant. S'assurer que le guide avant et la lame ne dévient pas du marquage.

## Arrêt

### Arrêter la coupe.

- Abaisser la commande de verrouillage de la roue de réglage de la profondeur de coupe. Retirer la lame de la rainure.
- Relever la commande de verrouillage de la roue de réglage de la profondeur de coupe.
- Fermer le robinet d'eau.

### Arrêt du moteur

- Lire le manuel de l'opérateur fourni par le fabricant du moteur.
- Mettre le levier d'alimentation sur la position STOP.

## Généralités



**AVERTISSEMENT!** L'utilisateur ne peut effectuer que les travaux d'entretien et de révision décrits dans ce manuel d'utilisation. Les mesures plus importantes doivent être effectuées dans un atelier d'entretien agréé.

Tout contrôle et/ou entretien doit être effectué avec le moteur à l'arrêt.

Utiliser les équipements de protection personnelle. Voir au chapitre "Équipement de protection personnelle".

La durée de vie de la machine risque d'être écourtée et le risque d'accidents accru si la maintenance de la machine n'est pas effectuée correctement et si les mesures d'entretien et/ou de réparation ne sont pas effectuées de manière professionnelle. Pour obtenir de plus amples informations, contacter l'atelier de réparation le plus proche.

- Faites régulièrement contrôler la machine par votre revendeur Husqvarna afin qu'il procède aux installations et réparations adéquates.

## Schéma d'entretien

Le calendrier de maintenance vous indique quelles pièces de la machine nécessitent un entretien et à quelle fréquence cet entretien doit avoir lieu. La fréquence est calculée en fonction de l'utilisation quotidienne de la machine, et peut varier en fonction du degré d'utilisation.

<b>Entretien quotidien</b>
<b>Nettoyage</b>
Nettoyage extérieur
Filtre à air
Coupelle à sédiments
<b>Contrôle fonctionnel</b>
Inspection générale
Huile moteur
Courroie d'entraînement
Arrêt d'urgence*
Protège-lame*
Silencieux*
Lame**
<b>Graissage</b>
Axe de lame
Graisser du système de réglage de la profondeur

\*Voir instructions à la rubrique « Équipement de sécurité de la machine ».

\*\* Voir instructions aux rubriques « Lames » et « Montage et réglages ».

## Nettoyage

### Nettoyage extérieur

- Vérifiez que tous les couplages, raccordements et câbles sont intacts et qu'ils sont propres.
- La lame est refroidie par de l'eau pulvérisée via de petits orifices situés sur le protège-lame. S'assurer que ces orifices ne sont pas bloqués, afin d'assurer le refroidissement correct de la lame.

### Filtre à air

Pour le nettoyage et le remplacement du filtre à air, lire le manuel d'utilisation fourni par le fabricant du moteur.

- Le filtre à air peut nécessiter 2 à 3 nettoyages par jour dans les environnements très poussiéreux.
- Tout filtre endommagé doit être remplacé immédiatement.

### Bougie

- Si la puissance de la machine est faible, si la machine est difficile à mettre en marche ou si le ralenti est irrégulier, toujours commencer par contrôler l'état de la bougie avant de prendre d'autres mesures.
- Vérifier que le chapeau de bougie et le câble d'allumage ne sont pas endommagés afin d'éviter tout risque de choc électrique.
- Si la bougie est encrassée, la nettoyer et vérifier l'écartement des électrodes par la même occasion. Remplacez-les si nécessaire. Consulter le manuel d'utilisation fourni pour le moteur.

**REMARQUE!** Toujours utiliser le type de bougie recommandé! Une bougie incorrecte peut endommager le piston/le cylindre.

Ces facteurs peuvent concourir à l'apparition de calamine sur les électrodes, ce qui à son tour entraîne un mauvais fonctionnement du moteur et des démarrages difficiles.

- Mauvais mélange de l'huile dans le carburant (trop d'huile ou huile inappropriée).
- La propreté du filtre à air.

## Contrôle fonctionnel

### Inspection générale

- S'assurer que toutes les vis et tous les écrous sont bien serrés.

# ENTRETIEN

## Huile moteur

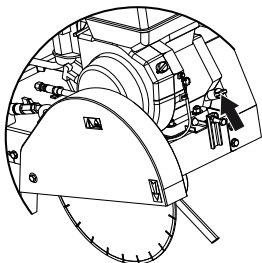


**REMARQUE ! L'huile peut être dangereuse pour la santé et pour l'environnement. Respecter la réglementation locale en termes de mise au rebut et de recyclage.**

Pour le remplacement de l'huile moteur, lire le manuel d'utilisation fourni par le fabricant du moteur.

### Contrôle du niveau d'huile du moteur

- Le moteur doit être placé à l'horizontale lors du contrôle du niveau d'huile. Démontez la lame ou prenez les mesures appropriées pour incliner la machine afin que le moteur soit placé à l'horizontale.
- Vérifier le niveau d'huile et compléter au besoin. Le niveau d'huile ne doit jamais être inférieur à la ligne de mesure.



- Pour un fonctionnement et des résultats optimaux, utiliser l'huile moteur HUSQVARNA
- Si de l'huile moteur HUSQVARNA n'est pas disponible, utiliser une autre huile moteur de haute qualité. Utiliser de l'huile moteur de qualité SAE 10W-30, classe API, MS, SD, SE ou supérieure.
- Ne jamais utiliser d'huile pour moteurs à deux temps.

## Courroie d'entraînement

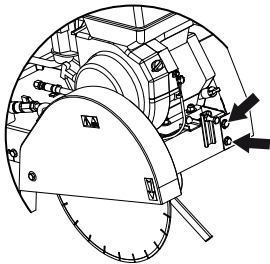
**ATTENTION ! Ne pas tendre excessivement la courroie d'entraînement.**

- Contrôler que la courroie d'entraînement est intacte et ne présente pas de défauts.

### Serrez la courroie d'entraînement

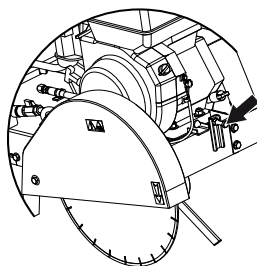
Une courroie d'entraînement neuve doit être tendue une fois après un ou deux pleins de carburant.

- Desserrer les vis. Déposer le capot.



- Desserrer les vis maintenant le moteur en place.

- Serrer la vis de tension d'un quart de tour. Le moteur est repoussé vers l'arrière et la courroie est tendue.



- S'assurer que les poulies de courroie sont parallèles et alignées l'une par rapport à l'autre. Serrer les vis maintenant le moteur, puis desserrer la vis de tension de deux tours afin d'éviter qu'elle entre en contact avec le bloc-moteur. Remettre le carter de la courroie en place et serrer les vis maintenant le carter de la courroie.

## Système de carburant

### Généralités

- Contrôler que le bouchon du réservoir et son joint sont intacts.
- Vérifier le tuyau à carburant. Le remplacer si nécessaire.

## Graissage

### Axe de lame

- Graissage de l'arbre de lame Branchez le pistolet à graisse et pompez 3 à 5 coups ou jusqu'à ce que de la graisse soit visible sur les bords. Utiliser uniquement de la graisse au lithium 12 de qualité NGL1 Catégorie 2.

### Graisser du système de réglage de la profondeur

Lubrifier quotidiennement les raccords de graissage de réglage de la profondeur de coupe.

### Écrou d'alimentation de la profondeur de coupe

Graisser la vis d'alimentation environ 2 cm au-dessus et en dessous de l'écrou et régler la scie vers le haut et vers le bas pour répartir la graisse.

## Produit utilisé

Cette machine remplit les conditions nécessaires pour atteindre une longue durée de vie. Ceci minimise l'impact de la machine sur l'environnement. Effectuez les réparations et l'entretien conformément aux instructions de ce manuel. Ainsi, le moteur fonctionnera plus longtemps et les émissions dangereuses seront réduites au minimum.

Lorsque la machine est hors d'usage, elle doit être mise au rebut de façon à être recyclée ou détruite. Respecter la réglementation locale en termes de mise au rebut et de recyclage.

## Matériaux principaux

### Moteur

Aluminium (AL), acier (AC), cuivre (CU), polyamide (PA)

### Machine

Acier (AC), fonte (FT), aluminium (AL).

---

# CARACTÉRISTIQUES TECHNIQUES

---

## Caractéristiques techniques

Profondeur de coupe, mm/pouces	165/6,5
Machine avec réservoirs vides, en kg/lb	99/218
Poids, kg/lb	135/298
Dimensions (L x l x H), mm/pouces	1220x600x1000/48,0x23,6x39,4
Vitesse de rotation de la tige (au régime du moteur 3 700 tr/min), tr/min	2950
Huile moteur	SAE 10W-30, classe API, MS, SD, SE ou supérieure.

---

# DECLARATION DE GARANTIE ETATS-UNIS

---

## POLITIQUE DE GARANTIE

Toute réclamation au titre de la garantie sera résolue après inspection dans un établissement désigné. Une autorisation de retour de marchandise est nécessaire en cas de réclamation au titre de la garantie. Pour obtenir cette autorisation, veuillez contacter le département du Service Clients d'Husqvarna au 800-845-1312. Le client doit prépayer le transport et prendre en charge tous les frais de main d'oeuvre nécessaires au retour ou au remplacement d'un produit soumis à des fins de garantie. Husqvarna remboursera les frais de transport encourus pour les produits réparés ou les produits de remplacement homologués.

## EQUIPEMENT

L'équipement fabriqué par Husqvarna est garanti pour être exempt de tout défaut de fabrication en fonctionnement normal pour une période de deux (2) ans à partir de la date de l'achat par l'acquéreur et utilisateur initial. **Les fabricants des pièces proposent des délais de garantie individuels. Pour davantage d'informations, veuillez contacter les Services techniques au 800-288-5040.**

Sous cette garantie, notre obligation est expressément limitée au remplacement ou à la réparation chez Husqvarna Construction Products North America, Olathe, Kansas 66061, ou à un atelier de réparation désigné par nos soins, de pièces que l'inspection aura déterminées comme défectueuses.

Cette garantie ne s'applique pas en cas de défauts occasionnés par des détériorations, une utilisation abusive, des réparations inadéquates opérées par des personnes autres qu'un réparateur Husqvarna homologué, ni en cas de défauts engendrés par un manque d'entretien minimum, une fois l'appareil en possession de l'utilisateur. Par ailleurs, la garantie est nulle si le produit, ou l'un de ses composants, est modifié par l'acheteur lui-même ou si le produit est utilisé d'une façon inappropriée ou avec des outils qui ne sont pas recommandés par le fabricant.

**Exceptions :** Moteurs de forage - 3 mois, Scies murales - 1 an, Découpeuses - 3 mois, DM 230 - 1 an, DM 225 - 3 mois, Système Gyro - 1 an, Système CD 40 - 1 an, DS 160 C - 1 an, Smart box - 1 an, CS 2515 - 1 an, PP 455 E - 1 an, PP 345 E - 1 an, HP 40 - 1 an.

**Articles d'usure :** Filtres, bougies d'allumage, roulements\*, courroies, roues\*\* et plaques d'usure.

\*Système Except IntelliSeal™. \*\*Sauf délaminage.



# ACLARACION DE LOS SIMBOLOS

## Símbolos en la máquina:

¡ATENCIÓN! La máquina, si se utiliza de forma errónea o descuidada, puede ser una herramienta peligrosa que puede causar daños graves e incluso la muerte al usuario y a otras personas.



Lea detenidamente el manual de instrucciones y asegúrese de entender su contenido antes de utilizar la máquina.



Utilice el equipo de protección personal. Vea las instrucciones bajo el título "Equipo de protección personal".



Antes de desplazarse, la cuchilla debe dejar de girar.



Quite la cuchilla antes de transportarlo.



**Etiquetado ecológico.** El símbolo en el producto o en su envase indica que no se puede tratar este producto como desperdicio doméstico.



Haciendo que este producto sea manipulado adecuadamente, se ayuda a evitar consecuencias negativas potenciales para el medio ambiente y las personas, lo que puede ocurrir con la manipulación inadecuada como residuos del producto.

Para obtener información más detallada sobre el reciclado de este producto, contacte con la oficina municipal local, con el servicio de eliminación de desperdicios domésticos o con la tienda donde compró el producto.

**Los demás símbolos/etiquetas que aparecen en la máquina corresponden a requisitos de homologación específicos en determinados mercados.**

## Explicación de los niveles de advertencia

Las advertencias se clasifican en tres niveles.

### ¡ATENCIÓN!



**¡ATENCIÓN!** Indica un riesgo de daños graves para el usuario o incluso muerte, o bien daños al entorno, si no se siguen las instrucciones del manual.

### ¡NOTA!



**¡NOTA!** Indica un riesgo de lesiones para el usuario o daños al entorno si no se siguen las instrucciones del manual.

### AVISO

**AVISO** Indica un riesgo de daños en los materiales o en la máquina si no se siguen las instrucciones del manual.



## Índice

### ACLARACION DE LOS SIMBOLOS

Símbolos en la máquina: .....	32
Explicación de los niveles de advertencia .....	32

### INDICE

Índice .....	33
--------------	----

### PRESENTACIÓN

Apreciado cliente: .....	34
Características .....	34

### PRESENTACIÓN

¿Qué es qué en la máquina? .....	35
----------------------------------	----

### EQUIPO DE SEGURIDAD DE LA MÁQUINA

Generalidades .....	36
---------------------	----

### MONTAJE Y AJUSTES

Generalidades .....	37
.....	37
Regule la altura .....	37
Indicador de la profundidad de corte .....	37

### DISCOS

Generalidades .....	38
Refrigeración por agua .....	38
Hojas de diamante para diversos materiales .....	38
Control de la cuchilla .....	38
Transporte y almacenamiento .....	38

### MANIPULACION DEL COMBUSTIBLE

Generalidades .....	39
Carburante .....	39
Repostaje .....	39
Transporte y almacenamiento .....	39

### FUNCIONAMIENTO

Equipo de protección .....	40
Instrucciones generales de seguridad .....	40
Transporte y almacenamiento .....	41

### ARRANQUE Y PARADA

Antes del arranque .....	42
Arranque .....	42
Parada .....	42

### MANTENIMIENTO

Generalidades .....	43
Programa de mantenimiento .....	43
Limpieza .....	43
Inspección funcional .....	44
Engrasado .....	44
Producto desgastado .....	44

### DATOS TECNICOS

Datos técnicos .....	45
----------------------	----

### DECLARACIÓN DE GARANTÍA PARA EE. UU.

POLÍTICA DE GARANTÍA .....	46
EQUIPO .....	46

## Apreciado cliente:

Gracias por elegir un producto Husqvarna.

Esperamos que su máquina le proporcione plena satisfacción y le sirva de ayuda por mucho tiempo en adelante. La adquisición de alguno de nuestros productos da acceso a asistencia profesional con reparaciones y servicio. Si la máquina no fue adquirida en un distribuidor oficial, preguntar en la tienda de compra la dirección del taller de servicio más cercano.

Este manual de instrucciones es un documento importante. Procure tenerlo siempre a mano en el lugar de trabajo. Siguiendo sus instrucciones (de uso, servicio, mantenimiento, etcétera) puede alargar considerablemente la vida útil de la máquina e incrementar su valor de reventa. Si vende su máquina, entregue el manual de instrucciones al nuevo propietario.

## Más de 300 años de innovación

La fundación de la empresa sueca Husqvarna AB data del año 1689, cuando el Rey Karl XI encargó la construcción de una fábrica para la fabricación de mosquetes. En ese momento se establecieron los cimientos de la experiencia tecnológica en la que se basan muchos de los productos punteros en el mundo en el sector de las armas de caza, bicicletas, motocicletas, electrodomésticos, máquinas de coser y productos para exteriores.

Husqvarna es líder internacional en productos motorizados para exteriores destinados a la silvicultura, el mantenimiento de parques y el cuidado del césped y del jardín, así como equipos de corte y herramientas de diamante para el sector de la construcción y la piedra.

## Responsabilidad del usuario

El propietario / empresario es el responsable de asegurarse de que el usuario tiene los conocimientos necesarios para utilizar la máquina con seguridad. Los supervisores y los usuarios deben haber leído y entendido el manual de instrucciones. Deben tener conocimiento de lo siguiente:

- Las instrucciones de seguridad de la máquina.
- Las aplicaciones y las limitaciones de la máquina.
- El modo de uso y de mantenimiento de la máquina.

La utilización de esta máquina podría estar regulada por la legislación nacional vigente. Infórmese sobre la legislación vigente en el lugar donde trabaja antes de empezar a utilizar la máquina.

## Los derechos que se reserva el fabricante.

Toda la información y todos los datos contenidos en este manual de instrucciones son vigentes en la fecha de impresión del manual.

Husqvarna AB trabaja constantemente para perfeccionar sus productos y se reserva, por lo tanto, el derecho a introducir modificaciones en la construcción y el diseño sin previo aviso.

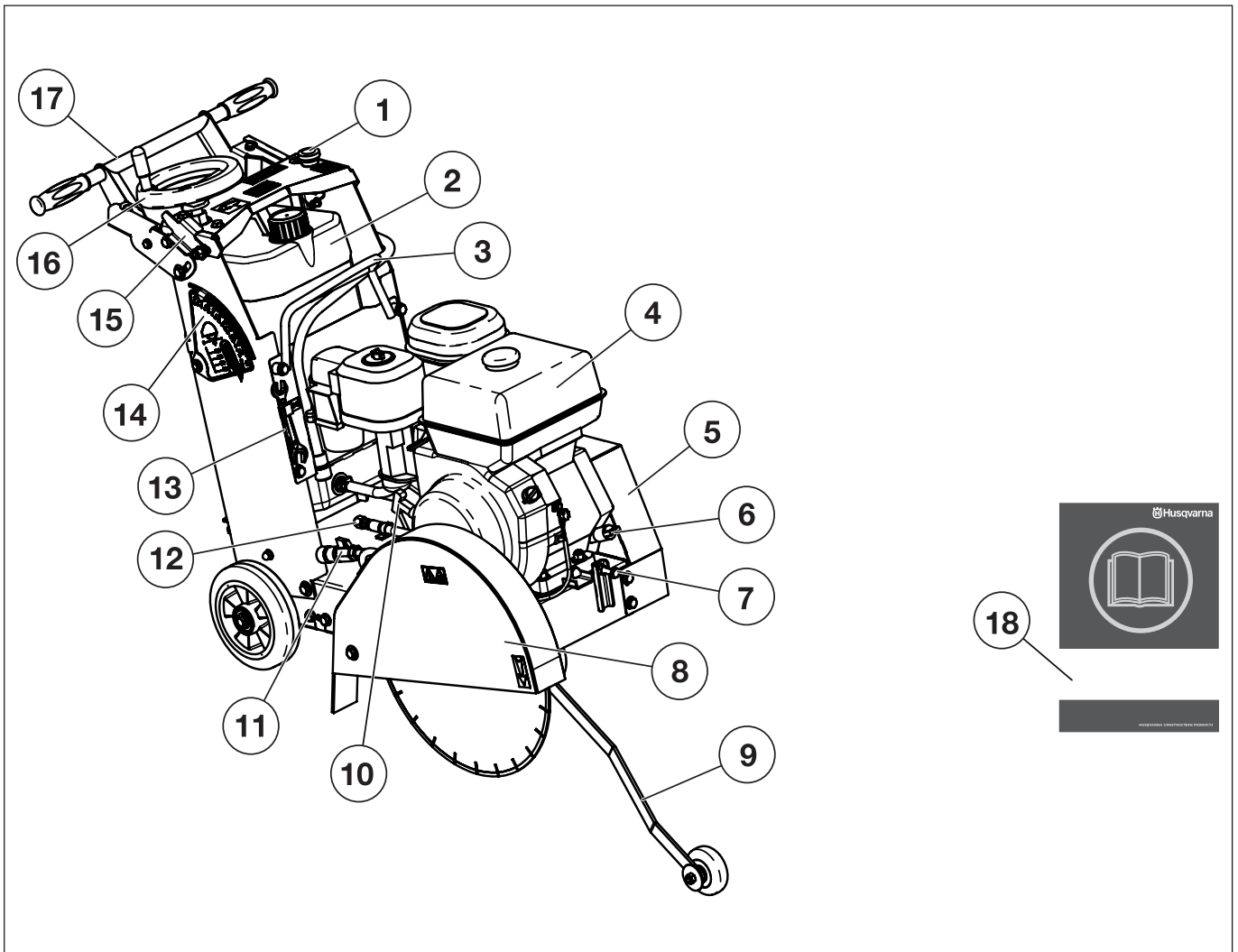
Para la asistencia al cliente, póngase en contacto con nosotros en nuestro sitio web: [www.husqvarna.com](http://www.husqvarna.com)

## Características

El alto rendimiento, la fiabilidad, la tecnología innovadora, las soluciones técnicas avanzadas y el respeto medioambiental son los valores que caracterizan a los productos de Husqvarna.

A continuación se describen algunas de las características únicas de su producto.

# PRESENTACIÓN



## ¿Qué es qué en la máquina?

- |   |  |
|---|--|
| 1 Parada de emergencia                    | 10 Empuñadura de arranque                      |
| 2 Depósito de agua                        | 11 Grifo de agua                               |
| 3 Cáncamo de elevación                    | 12 Drenaje, aceite del motor                   |
| 4 Depósito de combustible                 | 13 Llave de mantenimiento                      |
| 5 Tapa protectora - correa de transmisión | 14 Indicador de la profundidad de corte        |
| 6 Llenado de aceite                       | 15 Palanca de cierre, profundidad de corte     |
| 7 Tornillo tensor, correa de transmisión  | 16 Rueda de alimentación, profundidad de corte |
| 8 Protección de la hoja                   | 17 Mango                                       |
| 9 Guía frontal                            | 18 Manual de instrucciones                     |

# EQUIPO DE SEGURIDAD DE LA MÁQUINA

## Generalidades



**¡ATENCIÓN!** Nunca utilice una máquina con componentes de seguridad defectuosos. Si su máquina no pasa todos los controles, entréguela a un taller de servicio para su reparación.

**El motor debe apagarse y el botón de parada debe colocarse en la posición de parada.**

En este capítulo se describen los componentes de seguridad de la máquina, su función y el modo de efectuar el control y el mantenimiento para garantizar un funcionamiento óptimo.

## Parada de emergencia

El botón de emergencia se utiliza para apagar rápidamente el motor.

### Comprobación de la parada de emergencia

- Pulse la parada de emergencia y compruebe que el motor se detiene.
- Desacople el botón de parada de emergencia (gire a la derecha).

## Protección de la hoja



**¡ATENCIÓN!** Siempre verifique que la cubierta de la cuchilla esté ajustada correctamente antes de encender la máquina.

La protección del disco está diseñada para impedir que partes del disco o material cortado salgan disparadas contra el usuario.

### Control de la protección del disco de corte

Controle que la protección de la hoja no esté dañada ni presente grietas. Cambie la protección de la hoja si ha recibido golpes o está agrietada.

Siempre verifique que la cubierta esté ajustada correctamente antes de encender la máquina. También verifique que la cuchilla esté correctamente ajustada y que no esté dañada. Una cuchilla dañada puede ocasionar heridas.

## Silenciador



**¡ATENCIÓN!** No utilice nunca una máquina que no tenga silenciador o que lo tenga defectuoso. Un silenciador defectuoso puede incrementar considerablemente el nivel de ruido y el riesgo de incendio. Tenga a mano herramientas para la extinción de incendios.

**El silenciador está muy caliente durante el funcionamiento y después de parar. Esto también es aplicable al funcionamiento en ralentí. Preste atención al riesgo de incendio, especialmente al emplear la máquina cerca de sustancias y/o gases inflamables.**

El silenciador está diseñado para reducir al máximo posible el nivel sonoro y para apartar los gases de escape del usuario.

### Revisión del silenciador

Revise regularmente el silenciador para comprobar que está intacto y bien fijo.

# MONTAJE Y AJUSTES

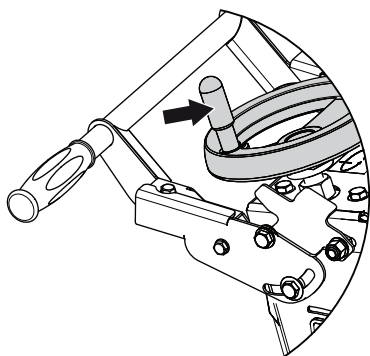
## Generalidades



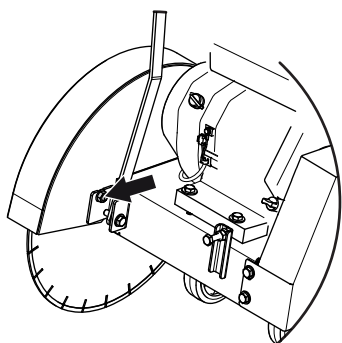
**¡ATENCIÓN!** Los trabajos de control y/o mantenimiento deben efectuarse con el motor desconectado.

Compruebe que la cuchilla y su protección están correctamente montadas antes de arrancar la máquina.

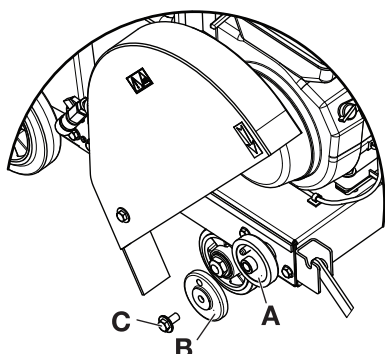
- Enrolle la rueda de alimentación de profundidad de corte.



- Cierre el grifo del agua. Desconecte la manguera de agua de la protección de la hoja.
- Quite el tornillo. Incline la protección de la hoja.



- Compruebe que la hoja, la brida de acoplamiento de hojas y el eje de la hoja no están dañados. Limpie las superficies de contacto de la hoja y de la brida de acoplamiento de hojas.
- Compruebe el sentido de rotación del disco. La flecha de la hoja indica la dirección de giro.
- Coloque la hoja en el eje (A). Monte la brida de acoplamiento (B) sobre la hoja. Apriete el tornillo (C) con la llave suministrada.

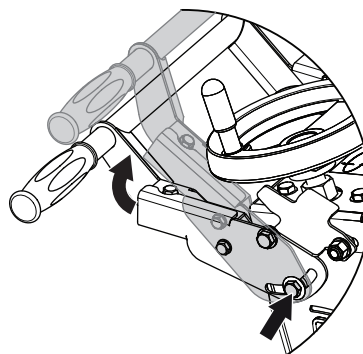


- Vuelva a montar la protección de la hoja y la manguera.
- Compruebe el funcionamiento de la máquina y preste atención a cualquier sonido extraño. Los sonidos extraños se deben a montajes incorrectos de la cuchilla.

## Regule la altura

El alto de la palanca puede ajustarse de acuerdo a la altura deseada.

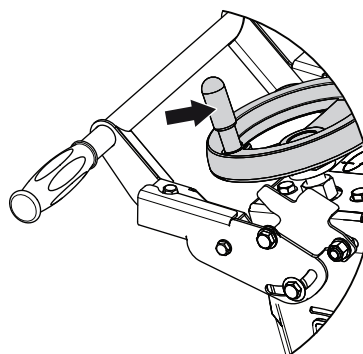
- Aflojar el tornillo. Coloque el manillar a la altura que le resulte más cómoda para trabajar. Apriete el tornillo.



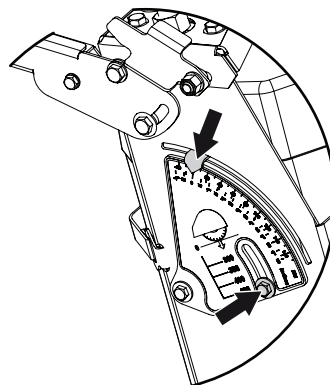
## Indicador de la profundidad de corte

Es necesario calibrar el indicador antes de utilizarlo.

- Suelte la cuchilla hasta que toque ligeramente el suelo.



- Aflojar el tornillo. Coloque la flecha del indicador en «0». Apriete el tornillo.



## Generalidades

- Las hojas de diamante están compuestas por un armazón de acero provisto de segmentos conteniendo diamantes industriales.
- Use siempre una hoja de diamante afilada.
- Los discos de corte deben estar marcados con la misma velocidad que se indica en la placa de características de la máquina, o una velocidad superior.
- Nunca utilice discos de corte distintos a los discos originales destinados a la máquina.

## Refrigeración por agua

Debe emplearse siempre refrigeración por agua. Así se enfrían los discos de corte, se aumenta su durabilidad y se reduce la formación de polvo.

## Hojas de diamante para diversos materiales



**¡ATENCIÓN! No utilice nunca un disco de corte para ningún material para el que no esté destinado.**

Husqvarna dispone de una amplia gama de discos de corte húmedo para corte de suelos y muros, como cuchillas para todo tipo de hormigón, desde fresco hasta endurecido, de diferentes tipos de dureza, así como una amplia gama de discos para asfalto. Consulte con su distribuidor de Husqvarna acerca del disco más adecuado para su aplicación.

## Control de la cuchilla

- Asegúrese de que ni el disco ni el protector estén dañados o agrietados. Sustituya el disco o el protector si han sufrido golpes o están agrietados. No utilice nunca un disco de corte dañado o gastado.
- Verifique que llegue a la cuchilla la cantidad correcta de agua.

## Transporte y almacenamiento

- Revise los discos de corte nuevos para comprobar si presentan daños de transporte o almacenaje.
- La cuchilla debe quitarse de la máquina después de su uso y guardarse correctamente. Guarde la cuchilla en un lugar seco.

# MANIPULACION DEL COMBUSTIBLE

## Generalidades



¡ATENCIÓN! Si se hace funcionar el motor en un local cerrado o mal ventilado, se corre riesgo de muerte por asfixia o intoxicación con monóxido de carbono.

El combustible y los vapores de combustible son muy inflamables y pueden causar daños graves por inhalación y contacto con la piel. Por consiguiente, al manipular combustible proceda con cuidado y procure que haya buena ventilación.

Los gases de escape del motor están calientes y pueden contener chispas que pueden provocar incendio. Por esa razón, ¡nunca arranque la máquina en interiores o cerca de material inflamable!

No fume ni ponga objetos calientes cerca del combustible.

## Carburante

AVISO La máquina tiene motor de cuatro tiempos. Compruebe que siempre haya suficiente aceite en el motor.

## Gasolina

- Utilice gasolina sin plomo de buena calidad.
- El octanaje mínimo recomendado es 90 (RON). Si se hace funcionar el motor con gasolina de octanaje inferior a 90, puede producirse clavazón. Esto aumenta la temperatura del motor, con el consiguiente riesgo de averías.

## Combustible ecológico

Si hay disponible gasolina menos nociva para el medio ambiente, denominada gasolina de alquilato, se debe usar este tipo de gasolina.

## Aceite de motor

- Controlar el nivel de aceite antes de arrancar la máquina. Un nivel de aceite demasiado bajo puede causar averías graves del motor. Consulte las instrucciones bajo el título «Mantenimiento».
- No utilice nunca aceite para motores de dos tiempos.

## Repostaje



¡ATENCIÓN! Apague el motor y deje que se enfríe unos minutos antes de repostar.

Para repostar, abra despacio la tapa del depósito de combustible para evacuar lentamente la eventual sobrepresión.

Limpie alrededor del tapón de combustible.

Después de repostar, apriete bien la tapa del depósito de combustible.

Antes de arrancar, aparte la máquina a 3 m como mínimo del lugar de repostaje.

Nunca arranque la máquina:

- Si ha derramado combustible o aceite de motor en la máquina. Limpie todos los derrames y deje evaporar los restos de gasolina.
- Si se salpicó el cuerpo o las ropas, cambie de ropas. Lave las partes del cuerpo que han entrado en contacto con el combustible. Use agua y jabón.
- Si hay fugas de combustible en la máquina. Compruebe regularmente si hay fugas en la tapa del depósito o en los conductos de combustible.

## Transporte y almacenamiento

- Almacene y transporte la máquina y el combustible de manera que eventuales fugas o vapores no puedan entrar en contacto con chispas o llamas, por ejemplo, máquinas eléctricas, motores eléctricos, contactos eléctricos/interruptores de corriente o calderas.
- Para almacenar y transportar combustible se deben utilizar recipientes diseñados y homologados para tal efecto.

## Almacenamiento prolongado

- Si la máquina se va a almacenar por un período largo, se debe vaciar el depósito de combustible. Pregunte en la estación de servicio más cercana qué hacer con el combustible sobrante.

# FUNCIONAMIENTO

## Equipo de protección

### Generalidades

- No use nunca una máquina si no tiene posibilidad de pedir auxilio si se produce un accidente.

### Equipo de protección personal

Para trabajar con la máquina debe utilizarse un equipo de protección personal homologado. El equipo de protección personal no elimina el riesgo de lesiones, pero reduce su efecto en caso de accidente. Pida a su distribuidor que le asesore en la elección del equipo.



**¡ATENCIÓN! El uso de productos que cortan, pulen, taladran, alisan o forman materiales puede generar polvo y vapores que pueden contener sustancias químicas dañinas. Averiguar la composición del material con que se trabaja y usar una máscara respiratoria adecuada.**

**La exposición prolongada al ruido puede causar daños crónicos en el oído, Por consiguiente, use siempre protectores auriculares homologados. Cuando use protección auditiva preste siempre atención a las señales o llamados de advertencia. Sáquese siempre la protección auditiva inmediatamente después de parar el motor.**

Utilice siempre:

- Casco protector homologado
- Protectores auriculares
- Gafas protectoras o visor
- Máscara respiratoria
- Guantes resistentes de agarre seguro.
- Prendas de vestir ceñidas, resistentes y cómodas que permitan una libertad de movimientos total.
- Botas con puntera de acero y suela antideslizante.

### Otros equipos de protección

**¡IMPORTANTE! Mientras trabaja con la máquina, pueden producirse chispas que podrían ocasionar un incendio. Tenga siempre a mano herramientas para la extinción de incendios.**

- Extintor de incendios
- Tenga siempre a mano el equipo de primeros auxilios.

## Instrucciones generales de seguridad

Este apartado trata las normas de seguridad básicas para trabajar con el dispositivo. Esta información no sustituye en ningún caso los conocimientos y la experiencia de un profesional.

- Lea detenidamente el manual de instrucciones y asegúrese de entender su contenido antes de utilizar la máquina.
- Debe tenerse en cuenta que el operador es responsable de los accidentes o riesgos que ocurran a otras personas o a su propiedad.
- La máquina debe mantenerse limpia. Los letreros y las pegatinas deben ser legibles en su totalidad.

### Emplee siempre el sentido común

Es imposible abarcar todas las situaciones imaginables que se pueden producir al utilizar una taladradora. Proceder siempre con cuidado y emplear el sentido común. Si se encuentra en alguna situación que le haga sentirse inseguro, deténgase y consulte con un experto. Consulte a su distribuidor, al taller de servicio técnico o a un usuario experimentado. No emplee la máquina en aplicaciones para las que no se considere plenamente cualificado.



**¡ATENCIÓN! La máquina, si se utiliza de forma errónea o descuidada, puede ser una herramienta peligrosa que puede causar daños graves e incluso la muerte al usuario y a otras personas.**

**No permita bajo ningún concepto el empleo o mantenimiento de la máquina por los niños u otras personas no instruidas en el manejo de la misma.**

**Nunca deje que terceros utilicen la máquina sin asegurarse primero de que hayan entendido el contenido de este manual de instrucciones.**

**Nunca utilice la máquina si está cansado, si ha ingerido alcohol o si toma medicamentos que puedan afectarle la vista, su capacidad de discernimiento o el control del cuerpo.**



# FUNCIONAMIENTO



**¡ATENCIÓN!** Las modificaciones y/o el uso de accesorios no autorizados comportan riesgo de daños personales graves y peligro de muerte para el usuario y otras personas. Bajo ninguna circunstancia debe modificarse la configuración original de la máquina sin autorización del fabricante.

No modifique nunca esta máquina de forma que se desvíe de la versión original, y no la utilice si parece haber sido modificada por otras personas.

No utilice nunca una máquina defectuosa. Siga las instrucciones de mantenimiento, control y servicio de este manual. Algunas medidas de mantenimiento y servicio deben ser efectuadas por especialistas formados y cualificados. Vea las instrucciones bajo el título Mantenimiento.

Utilizar siempre recambios originales.

Su garantía podría no abarcar daños o responsabilidades causados por el uso de accesorios o piezas de repuesto no autorizados.



**¡ATENCIÓN!** Esta máquina genera un campo electromagnético durante el funcionamiento. Este campo magnético puede, en determinadas circunstancias, interferir con implantes médicos activos o pasivos. Para reducir el riesgo de lesiones graves o letales, las personas que utilizan implantes médicos deben consultar a su médico y al fabricante del implante antes de emplear esta máquina.

## Seguridad en el área de trabajo

- Compruebe el entorno para asegurarse de que nada pueda influir en su control de la máquina.
- Asegúrese de que nada ni nadie puede entrar en contacto con el equipo de corte o recibir el impacto de una pieza en caso de que el disco se rompa.
- No trabaje en condiciones atmosféricas desfavorables como niebla, lluvia intensa, tempestad, frío intenso, etc. Trabajar con mal tiempo es cansador y puede crear condiciones peligrosas, por ejemplo suelo resbaladizo.
- Nunca comience a trabajar con la cortadora eléctrica si el área de trabajo no está limpia y carece de un punto de apoyo. Preste atención a los obstáculos que puedan moverse inesperadamente. Al realizar un corte asegúrese de que ningún material se afloje y caiga, causando una herida. Tenga mucho cuidado al trabajar sobre suelos inclinados.
- Controle que la zona de trabajo esté bien iluminada para lograr un entorno seguro.
- Asegúrese de que no haya tuberías o cables eléctricos en la zona de trabajo o en el material que vaya a cortar.
- Compruebe que los cables eléctricos que haya en el área de trabajo no tengan tensión.

## Técnica básica de trabajo

- Esta máquina ha sido diseñada para cortar hormigón fresco y endurecido de diferentes tipos de dureza o asfalto. Cualquier otro uso será considerado como no específico de la máquina.
- No haga nunca trabajos de corte de forma tal que no pueda acceder fácilmente a la parada de emergencia.
- Compruebe que no ha dejado ninguna herramienta u otro objeto sobre la máquina.
- No abandonar nunca la máquina sin vigilar, con el motor en marcha.
- Siempre verifique que la cubierta de la cuchilla esté ajustada correctamente antes de encender la máquina. No corte nunca sin utilizar el protector.
- Antes de empezar a cortar, todos los cortes que se van a hacer deben marcarse con claridad y planificarse para que se puedan hacer sin riesgo de dañar a personas o la máquina.
- Mientras la cuchilla está girando, no puede girar, rotar ni mover la máquina lateralmente.
- Sujete o ancle con firmeza los bloques de hormigón antes de cortarlos. El elevado peso del material cortado puede causar daños importantes si no se desplaza en condiciones controladas.
- Al trabajar con las máquinas, procure siempre que haya alguien cerca, que pueda prestar ayuda en caso de accidente.

## Atasco de la cuchilla

La cuchilla puede atascarse debido a:

- Tensión de la correa de transmisión
- Tipo de combustible incorrecto
- Alimentación demasiado alta
- Inclinación excesiva de la pieza de trabajo

Afloje la cuchilla de la ranura e inspeccione detenidamente la máquina antes de seguir trabajando.

## Transporte y almacenamiento

- La máquina dispone de ruedas de transporte para poder desplazarla con el motor apagado. Compruebe que la cuchilla está en la posición más elevada antes de mover la máquina.
- Desmonte la cuchilla antes de transportar y almacenar la máquina.
- Proceda con cuidado en las elevaciones. Las piezas son pesadas, por lo que hay riesgo de daños por apriete y daños personales de otro tipo.
- Utilice siempre la argolla de izada montada en la máquina para levantarla.
- Sujete bien el equipo durante el transporte para evitar daños y accidentes.
- Para obtener más detalles sobre el transporte y el almacenamiento del combustible, consulte el apartado «Manipulación del combustible».
- Para obtener más detalles sobre el transporte y el almacenamiento de los discos, consulte el apartado «Discos».
- Almacene la cortadora en lugar seguro fuera del alcance de los niños y personas no calificadas para su uso.
- Si existe riesgo de congelación, drene el agua refrigeradora restante del dispositivo.

# ARRANQUE Y PARADA

## Antes del arranque

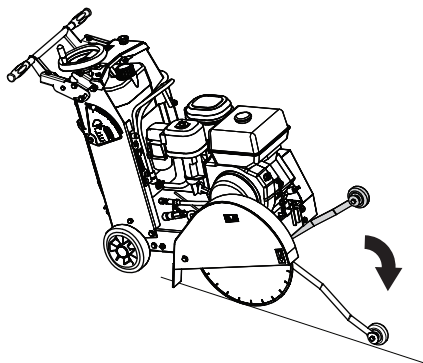


**¡ATENCIÓN!** Lea detenidamente el manual de instrucciones y asegúrese de entender su contenido antes de utilizar la máquina.

Utilice el equipo de protección personal. Vea las instrucciones bajo el título "Equipo de protección personal".

Asegúrese de que no haya personas desautorizadas en la zona de trabajo, de lo contrario, se corre el riesgo de ocasionar graves daños personales.

- Realice el mantenimiento diario. Consulte las instrucciones bajo el título «Mantenimiento».
- Llene el depósito de agua o conecte la máquina al suministro de agua.
- Marque los cortes que desea realizar.
- Baje la guía frontal y alinee la máquina con las marcas.



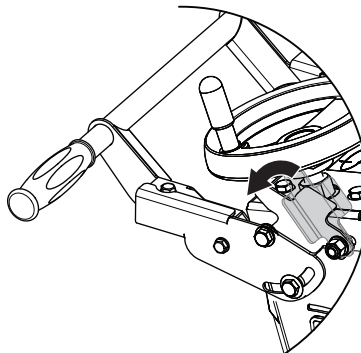
## Arranque

### Arranque el motor

- Lea el manual de instrucciones del fabricante.

### Empiece a cortar.

- Abra el grifo de agua.
- Arranque el motor con aceleración máxima.
- Baje el control de cierre de la rueda para ajustar la profundidad de corte.



- Suelte la cuchilla a la profundidad de corte necesaria. Baje la cuchilla lentamente para evitar que el motor se pare.
- Eleve el control de cierre de la rueda para fijar la profundidad de corte.
- Empuje lentamente la máquina hacia adelante. Compruebe que la guía frontal y la cuchilla no se desvían de las marcas.

## Parada

### Detenga el corte.

- Baje el control de cierre de la rueda para ajustar la profundidad de corte. Suelte la cuchilla de la ranura.
- Eleve el control de cierre de la rueda para fijar la profundidad de corte.
- Cierre el grifo del agua.

### Detenga el motor

- Lea el manual de instrucciones del fabricante.
- Mueva la palanca a la posición «STOP».

## Generalidades



**¡ATENCIÓN!** El usuario sólo puede efectuar los trabajos de mantenimiento y servicio descritos en este manual. Los trabajos de mayor envergadura debe efectuarlos un taller de servicio oficial.

Los trabajos de control y/o mantenimiento deben efectuarse con el motor desconectado.

Utilice el equipo de protección personal. Vea las instrucciones bajo el título "Equipo de protección personal".

La vida útil de la máquina puede acortarse y el riesgo de accidentes puede aumentar si el mantenimiento de la máquina no se hace de forma adecuada y si los trabajos de servicio y/o reparación no se efectúan de forma profesional. Para más información, consulte con el taller de servicio oficial más cercano.

- Encargue al distribuidor de Husqvarna la revisión regular de la cortadora y los ajustes y reparaciones necesarios.

## Programa de mantenimiento

En el programa de mantenimiento podrá ver qué piezas de la máquina requieren mantenimiento y cada cuánto tiempo deberá realizarse. Los intervalos se calculan en función del uso diario de la máquina y pueden depender de la velocidad de uso.

<b>Mantenimiento diario</b>
<b>Limpieza</b>
Limpieza externa
Filtro de aire
Cazoleta de sedimentos
<b>Inspección funcional</b>
Inspección general
Aceite de motor
Correa de transmisión
Parada de emergencia*
Protección del disco de corte*
Silenciador*
Hoja**
<b>Lubricación</b>
Eje de la hoja
Boquillas de engrase para el sistema de ajuste de profundidad

\* Consulte las instrucciones bajo el título «Equipo de seguridad de la máquina».

\*\* Consulte las instrucciones bajo el título «Discos de corte» y «Montaje y ajustes».

## Limpieza

### Limpieza externa

- Compruebe que todas las juntas, conexiones y cables están intactos y limpios.
- La cuchilla se enfría con el agua pulverizada a través de orificios pequeños de la protección de la hoja. Compruebe que estos orificios no estén bloqueados para que la cuchilla se enfríe correctamente.

### Filtro de aire

Para limpiar y cambiar el filtro del aire, lea el manual de instrucciones suministrado por el fabricante del motor.

- La limpieza recomendada del filtro de aire es de 2-3 veces al día en entornos muy polvorientos.
- Un filtro de aire averiado debe cambiarse.

### Bujía

- Si la máquina no tiene la potencia suficiente, cuesta encender o funciona lentamente: siempre verifique la bujía de encendido antes de tomar otras medidas.
- Compruebe que el capuchón y el cable de encendido estén intactos para evitar sacudidas eléctricas.
- Si la bujía está sucia, límpiela y compruebe la distancia entre los electrodos. Cámbielas si es necesario. Consulte el manual de instrucciones del motor.

¡NOTA! ¡Utilice siempre el tipo de bujía recomendado! Una bujía incorrecta puede arruinar el pistón y el cilindro.

Estos factores producen revestimientos en los electrodos de la bujía que pueden ocasionar perturbaciones del funcionamiento y dificultades de arranque.

- Mezcla de aceite inadecuada en el combustible (demasiado aceite o aceite inadecuado).
- Filtro de aire sucio.

# MANTENIMIENTO

## Inspección funcional

### Inspección general

- Compruebe que los tornillos y las tuercas estén apretados.

### Aceite de motor

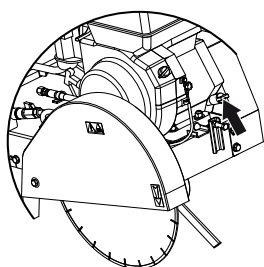


**¡NOTA! Tener en cuenta que el aceite puede ser dañino para la salud y el medio ambiente. Cumpla la normativa local de reciclaje y eliminación.**

Para cambiar el aceite del motor, lea el manual de instrucciones suministrado por el fabricante del motor.

### Verificación del nivel de aceite del motor.

- El motor debe estar en posición horizontal para comprobar el nivel de aceite. Desmonte la cuchilla o tome otras medidas para poder inclinar la máquina y colocar el motor en posición horizontal.
- Compruebe el nivel de aceite y rellénelo si fuera necesario. El nivel de aceite debe estar por debajo de la línea de medición inferior.



- Para un resultado óptimo, use aceite para motor HUSQVARNA
- Si no se dispone de aceite para motor HUSQVARNA, se puede usar otro aceite para motor de buena calidad. Utilice aceite de motor de calidad SAE 10W-30, clase API, MS, SD, SE o superior.
- No utilice nunca aceite para motores de dos tiempos.

### Correa de transmisión

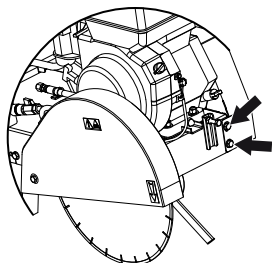
**AVISO** No ejerza tensión excesiva en la correa de transmisión.

- Compruebe que la correa de transmisión está intacta y no presenta defectos visibles.

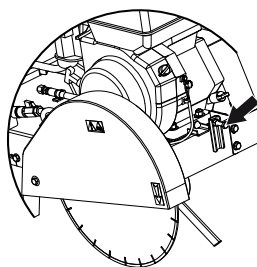
### Ajuste de la correa de transmisión

La tensión de una nueva correa de transmisión debe volver a ajustarse después de haber utilizado uno o dos tanques de combustible.

- Afloje los tornillos de ajuste. Quite la cubierta.



- Afloje los tornillos que sujetan el motor en su sitio.
- Al girar el tornillo tensor un cuarto de vuelta, el motor caerá hacia atrás y la correa se tensará.



- Compruebe que las poleas de correa están en paralelo y alineadas entre ellas. Apriete los tornillos que sujetan el motor y desatornille 2 vueltas el tornillo tensor para impedir que entre en contacto con el bloque del motor. Vuelva a colocar la protección de la correa y apriete los tornillos que la mantienen en su sitio.

## Sistema de combustible

### Generalidades

- Verifique que la tapa del combustible y su sello no estén dañados.
- Verifique la manguera de combustible. Cámbiela si fuera necesario.

## Engrasado

### Eje de la hoja

- Engrase el eje del disco. Conecte la pistola de engrase y bombee con 3-5 disparos o hasta que pueda ver la grasa en los bordes. Utilice únicamente grasa a base de litio 12 de calidad NGL1 grado 2.

### Boquillas de engrase para el sistema de ajuste de profundidad

Lubrique las boquillas de engrase para ajustar la profundidad de corte cada día.

### Tuerca de alimentación de la profundidad de corte

Engrase el tornillo de alimentación un par de centímetros por encima y por debajo de la tuerca y ajuste la sierra arriba y abajo un par de veces para extender la grasa.

## Producto desgastado

Esta máquina cumple los requisitos previos para durar muchos años. De esta forma, se minimiza el impacto medioambiental de la máquina. Realice las tareas de reparación y mantenimiento siguiendo las instrucciones de este manual. De esta forma, la máquina durará más tiempo y se minimizarán las emisiones peligrosas.

Cuando la máquina esté desgastada, deberá desecharse para su reciclado o desguace. Cumpla la normativa local de reciclaje y eliminación.

## Materiales principales

### Motor

Aluminio (AL), acero (AC), cobre (CU), poliamida (PA)

### Máquina

Acero (AC), hierro fundido (FT), aluminio (AL).

---

# DATOS TECNICOS

---

## Datos técnicos

Profundidad de corte, mm/in	165/6,5
Máquina con tanques vacíos, kilos/libras	99/218
Peso operativo, kg/lb	135/298
Dimensiones (LxAxAI), mm/in	1220x600x1000/48,0x23,6x39,4
Velocidad de rotación del eje (a una velocidad de 3700 r/min), r/min	2950
Aceite de motor	SAE 10W-30, clase API, MS, SD, SE o superior.

---

# DECLARACIÓN DE GARANTÍA PARA EE. UU.

---

## POLÍTICA DE GARANTÍA

Todas las solicitudes de garantía se determinarán tras una inspección de las instalaciones correspondientes. Para toda reclamación de garantía se requerirá una autorización de devolución de productos (RGA). Póngase en contacto con el Departamento de servicio al cliente de Husqvarna llamando al 800-845-1312 para solicitar dicha autorización. El cliente deberá pagar los portes previamente y asumir cualquier gasto de mano de obra necesario para devolver o sustituir un producto para el que se ha solicitado una evaluación de garantía. Husqvarna pagará los gastos de envío de los productos reparados o nuevos aprobados.

## EQUIPO

El equipo fabricado por Husqvarna está garantizado frente a defectos de fabricación para el uso normal durante un periodo de dos (2) años desde la fecha de compra por parte del cliente original. **Los fabricantes de componentes ofrecen periodos de garantía específicos. Llame al servicio técnico (800-288-5040) para obtener más información.**

Nuestras obligaciones en virtud de la presente garantía quedan expresamente limitadas a la sustitución o reparación, en Husqvarna Construction Products North America (Olathe, Kansas 66061) o en el servicio técnico que designemos, de las piezas que se consideren defectuosas tras su inspección.

Esta garantía no es aplicable a los defectos causados por daños, uso no razonable o reparaciones defectuosas no realizadas por el personal del servicio técnico autorizado por Husqvarna, o defectos causados por no haber realizado un mantenimiento razonable cuando el equipo estaba en posesión del cliente. Además, la garantía quedará anulada si el producto o cualquiera de sus componentes ha sido alterado o modificado por el cliente, así como si ha sido usado de manera inadecuada o con herramientas que no hayan sido recomendadas por el fabricante.

**Excepciones:** Perforadoras: 3 meses. Sierras de pared: 1 año. Cortadoras: 3 meses. DM 230: 1 año. DM 225: 3 meses. Sistemas Gyro: 1 año. Sistema CD 40: 1 año. DS 160 C: 1 año. Smart box: 1 año. CS 2515: 1 año. pp 455 E: 1 año. PP 345 E: 1 año. HP 40: 1 año.

**Materiales fungibles:** Filtros, bujías, cojinetes\*, correas, ruedas\*\* y almohadillas de desgaste.

\*Excepto en el sistema IntelliSeal™. \*\*Excepto en el deslaminado.





**WARNING!** Cutting, especially when DRY cutting, generates dust that comes from the material being cut, which frequently contains silica. Silica is a basic component of sand, quartz, brick clay, granite and numerous other minerals and rocks. Exposure to excessive amount of such dust can cause:

Respiratory disease (affecting your ability to breath), including chronic bronchitis, silicosis and pulmonary fibrosis from exposure to silica. These diseases may be fatal;

Skin irritation and rash.

Cancer according to NTP\* and IARC\*  
\*/ National Toxicology Program, International Agency for Resaearch on Cancer

Take precautionary steps:

Avoid inhalation of and skin contact with dust, mist and fumes.

Wear and ensure that all bystanders wear appropriate respiratory protection such as dust masks designed to filter out microscopic particles. (See OSHA 29 CFR Part 1910.1200)

Wet cut when feasible, to minimize dust.

**US - Original instructions, CA- Instructions d'origine, ES - Instrucciones originales**

**1154592-95**



**2012-05-22**