

**GB**

## **Operator's manual**

Please read the operator's manual carefully and make sure you understand the instructions before using the machine.

**ES**

## **Manual de instrucciones**

Lea detenidamente el manual de instrucciones y asegúrese de entender su contenido antes de utilizar la máquina.

**DE**

## **Bedienungsanweisung**

Lesen Sie die Bedienungsanweisung sorgfältig durch und machen Sie sich mit dem Inhalt vertraut, bevor Sie das Gerät benutzen.

**FR**

## **Manuel d'utilisation**

Lire attentivement et bien assimiler le manuel d'utilisation avant d'utiliser la machine.

# **PP 440 HF**



**GB ES DE FR**

# KEY TO SYMBOLS

## Symbols on the machine:

WARNING! The machine can be a dangerous tool if used incorrectly or carelessly, which can cause serious or fatal injury to the operator or others.



Please read the operator's manual carefully and make sure you understand the instructions before using the machine.



Always wear:

- Approved protective helmet
- Approved hearing protection
- Protective goggles or a visor
- Breathing mask



This product is in accordance with applicable EC directives.



WARNING! High current.



**Environmental marking.** Symbols on the product or its packaging indicate that this product cannot be handled as domestic waste. It must instead be submitted to an appropriate recycling station for the recovery of electrical and electronic equipment.

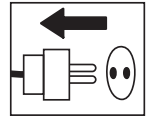


By ensuring that this product is taken care of correctly, you can help to counteract the potential negative impact on the environment and people that can otherwise result through the incorrect waste management of this product.

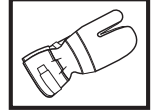
For more detailed information about recycling this product, contact your municipality, your domestic waste service or the shop from where you purchased the product.

## Symbols in the operator's manual:

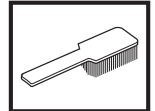
Inspection and/or maintenance should be carried out with the motor switched off and the plug disconnected.



Always wear approved protective gloves.



Regular cleaning is required.



Visual check.



Protective goggles or a visor must be worn.



---

# CONTENTS

---

## Contents

### KEY TO SYMBOLS

Symbols on the machine: .....	2
Symbols in the operator's manual: .....	2

### CONTENTS

Contents .....	3
----------------	---

### WHAT IS WHAT?

What is what on the power unit? .....	4
---------------------------------------	---

### SAFETY INSTRUCTIONS

Steps before using a new power unit .....	5
Personal protective equipment .....	5
Machine's safety equipment .....	6
General safety precautions .....	7
General working instructions .....	7

### PRESENTATION

PP 440 HF .....	8
-----------------	---

### ASSEMBLY

Assembling/Installing equipment .....	9
---------------------------------------	---

### SETTINGS AND ADJUSTMENTS

Start menu .....	10
Operations menu .....	10

### STARTING AND STOPPING

Before starting .....	11
Starting .....	11
Stopping .....	12
After work is completed .....	12

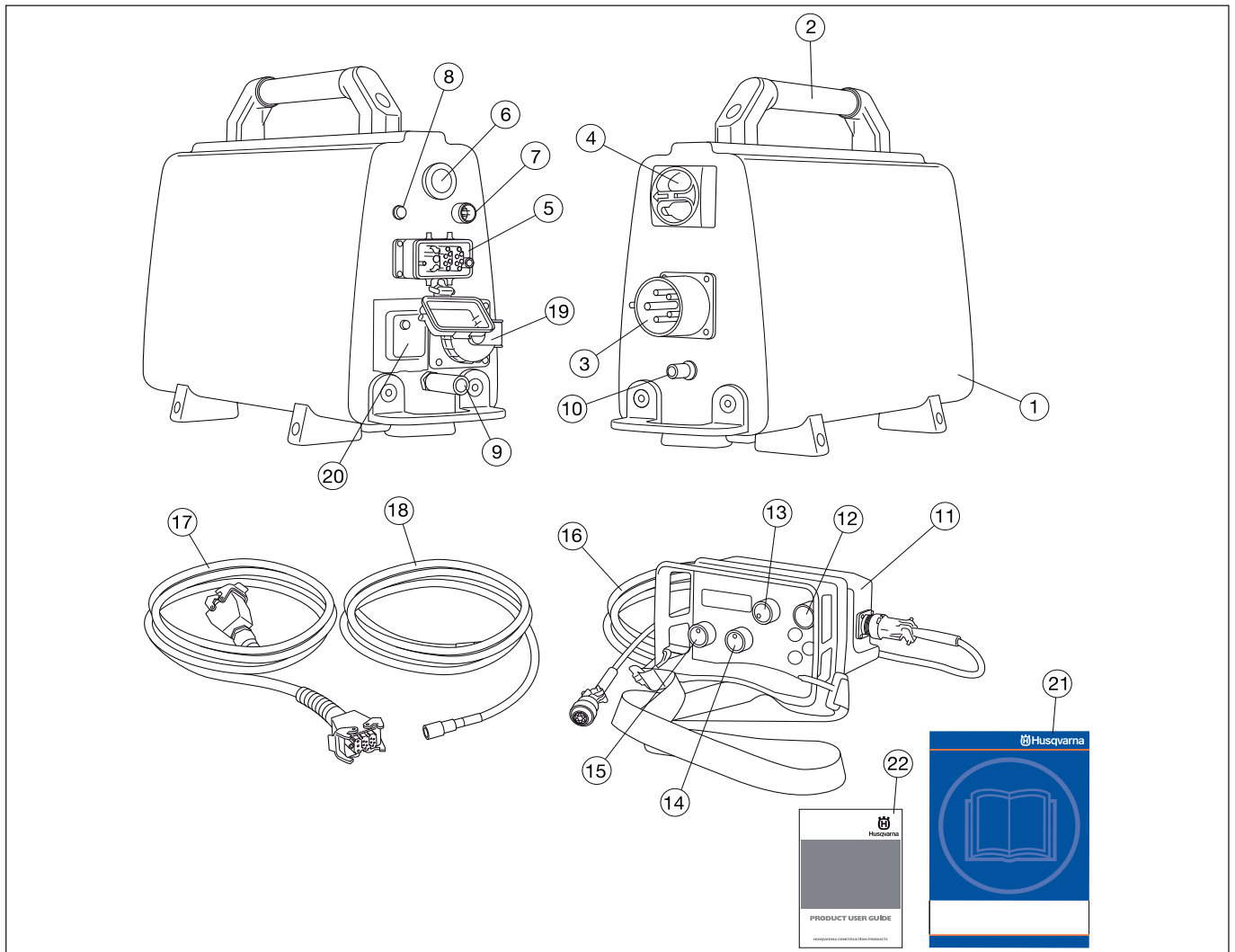
### MAINTENANCE

Service .....	13
Daily maintenance .....	13

### TECHNICAL DATA

PP 440 HF .....	14
EC-declaration of conformity .....	15

# WHAT IS WHAT?



## What is what on the power unit?

- |                        |   |
|------------------------|---|
| 1 Power unit           | 12 Start button                                       |
| 2 Handle               | 13 Blade rotation and start water coolant             |
| 3 Electrical socket    | 14 Travel feed  |
| 4 Main switch          | 15 Depth feed   |
| 5 Cable connection     | 16 Canbus cable                                       |
| 6 Emergency stop       | 17 Power lead   |
| 7 Canbus port          | 18 Water hose   |
| 8 Power indicator      | 19 Single phase socket - Only 5-pin machines          |
| 9 Water connector, out | 20 Ground-fault circuit breaker - Only 5-pin machines |
| 10 Water connector, in | 21 Operator's manual                                  |
| 11 Remote control      |   |

# SAFETY INSTRUCTIONS

## Steps before using a new power unit

- Please read the operator's manual carefully and make sure you understand the instructions before using the machine.
- This machine is only intended for use together with a Husqvarna WS 440 HF. All other use is forbidden.
- Read through the manual supplied with the wall saw before starting to use the hydraulic unit.
- The machine can cause serious personal injury. Read the safety instructions carefully. Learn how to use the machine.

## Always use common sense

It is not possible to cover every conceivable situation you can face. Always exercise care and use your common sense. Avoid all situations which you consider to be beyond your capability. If you still feel uncertain about operating procedures after reading these instructions, you should consult an expert before continuing.

Do not hesitate to contact your dealer if you have any more questions about the use of the machine. We will willingly be of service and provide you with advice as well as help you to use your machine both efficiently and safely.

Let your Husqvarna dealer regularly check the machine and make essential adjustments and repairs.

All information and all data in the Operator's Manual were applicable at the time the Operator's Manual was sent to print.



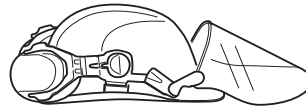
**WARNING! Under no circumstances should you modify the original design of the machine without approval from the manufacturer. Always use original spare parts. Unauthorised modifications and/or accessories may lead to serious injury or death to the user or others.**

## Personal protective equipment

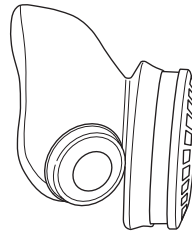


**WARNING! You must use approved personal protective equipment whenever you use the machine. Personal protective equipment cannot eliminate the risk of injury but it will reduce the degree of injury if an accident does happen. Ask your dealer for help in choosing the right equipment.**

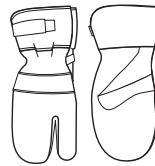
- Protective helmet
- Hearing protection
- Protective goggles or a visor



- Breathing mask



- Heavy-duty, firm grip gloves.



- Tight-fitting, heavy-duty and comfortable clothing that permits full freedom of movement.



- Boots with steel toe-caps and non-slip sole.



- Always have a first aid kit nearby.



# SAFETY INSTRUCTIONS

## Machine's safety equipment



This section describes the machine's safety equipment, its purpose, and how checks and maintenance should be carried out to ensure that it operates correctly. See the "What is what?" section to locate where this equipment is positioned on your machine.

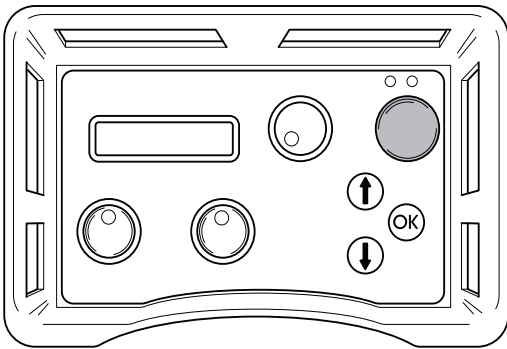


**WARNING! Never use a machine with faulty safety equipment. The machine's safety equipment must be checked and maintained as described in this section. If your machine fails any of these checks contact your service agent to get it repaired.**

**IMPORTANT! All servicing and repair work on the machine requires special training. This is especially true of the machine's safety equipment. If your machine fails any of the checks described below you must contact your service agent. When you buy any of our products we guarantee the availability of professional repairs and service. If the retailer who sells your machine is not a servicing dealer, ask him for the address of your nearest service agent.**

## Start button

The start button must be pushed and held to be able to start the blade rotation. This in order to prevent unintended starting of the blade rotation.

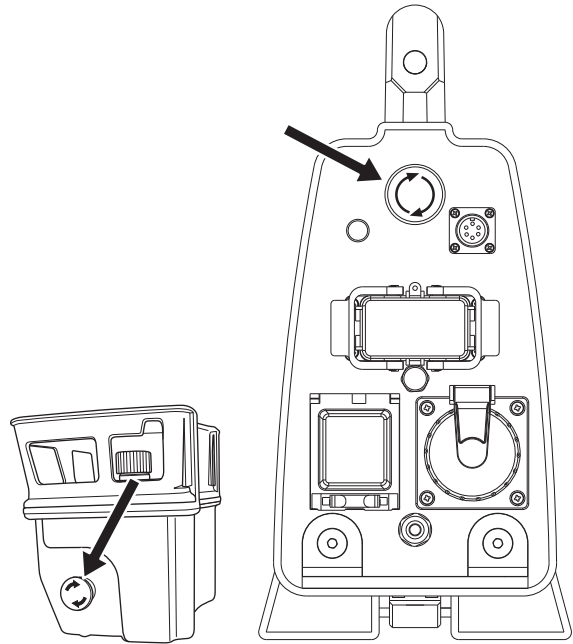


## Checking the start button

- Turn the knob for blade rotation without pushing and holding the start button.  
The blade rotation must not start.
- Push and hold the start button and turn the knob for blade rotation.  
Now the blade rotation shall start.

## Emergency stop and stop button

The power unit is equipped with an emergency stop and the remote control with a stop button. These are used to be able to quickly shut down the power unit.

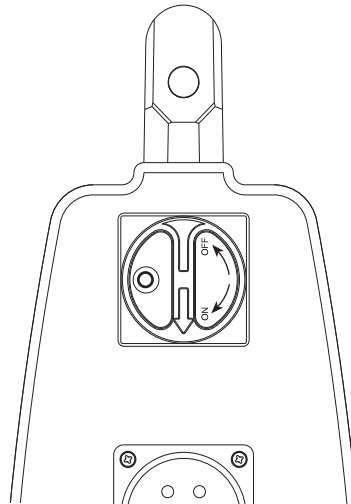


## Check the emergency stop and stop button

- Start the blade rotation.
- Push the emergency stop on the power unit and check that the blade rotation stops. Check the stop button on the remote control in the same way.

## Main switch

The main switch is used to switch the electricity supply to the power unit on and off. The main switch must be in the "0"-position when the incoming cable is connected.



## Checking the main power switch

- Turn the main switch to the "0"-position.
- Try to start the saw.  
The saw must not start.

# SAFETY INSTRUCTIONS

## General safety precautions

Do not use the machine without first reading and understanding the contents of this Operator's Manual.



**WARNING!** There is always a risk of shocks from electrically powered machines. Avoid unfavourable weather conditions and body contact with lightning conductors and metal objects. Always follow the instructions in the Operator's manual to avoid damage.

- Never use the machine if you are tired, if you have drunk alcohol, or if you are taking medication that could affect your vision, your judgement or your co-ordination.
- Wear personal protective equipment. See instructions under the heading Personal protective equipment.
- Never carry the machine by holding the cable and never pull the plug by pulling the cable.
- Keep all cables away of water, oil and sharp edges. Make sure the cable is not pinched in doors, fences or the like. It can cause the object to become live.
- Check that the cables are intact and in good condition.
- Never use the machine if any cable is damaged, but hand it in to an authorized service workshop for repair.
- The machine should be connected to an earthed outlet socket.
- Check that the mains voltage corresponds with that stated on the rating plate on the machine.
- Keep all parts in good working order and ensure that all fixtures are properly tightened.
- Never use a machine that is faulty. Carry out the checks, maintenance and service instructions described in this manual. Some maintenance and service measures must be carried out by trained and qualified specialists. See instructions under the heading Maintenance.
- Do not modify safety equipment. Check regularly that they function as they should. The machine must not be run with defective or disassembled safety equipment.
- Never allow anyone else to use the machine without first ensuring that they have understood the contents of the operator's manual.
- People and animals can distract you causing you to lose control of the machine. For this reason, always remain concentrated and focused on the task.
- Be careful as clothing, long hair, and jewellery can get caught in moving parts.
- Observe care when lifting. You are handling heavy parts, which implies the risk of pinch injuries or other injuries.

## Transport and storage

- Always switch of the power unit and pull out the electric cable before moving the equipment.
- Store the equipment in a lockable area so that it is out of reach of children and unauthorised persons.
- If there is a risk of freezing, the machine must be drained of any remaining water coolant.
- Use the cases provided to store the equipment.

## General working instructions



**WARNING!** This section describes basic safety directions for using the machine. This information is never a substitute for professional skills and experience. If you get into a situation where you feel unsafe, stop and seek expert advice. Contact your dealer, service agent or an experienced power cutter user. Do not attempt any task that you feel unsure of!

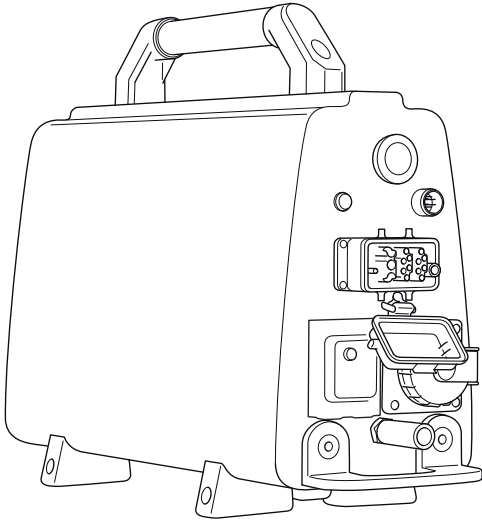
- All operators shall be trained in the use of the machine. The owner is responsible for ensuring that the operators receive training.
- Check that all couplings, connections and cables are intact and free from dirt.
- Check that all cables and the water supply are correctly connected to the machine before starting it.
- Never pull out the power cable without first switching off the power unit and waiting for the engine to come to a complete halt.
- If an emergency situation should arise anyway, push the red emergency stop button on the power unit or the stop button on the remote control.
- Always check and mark out where gas pipes are routed. Cutting close to gas pipes always entails danger. Make sure that sparks are not caused when cutting in view of the risk of explosion. Remain concentrated and focused on the task. Carelessness can result in serious personal injury or death.
- Make sure that no pipes or electrical cables are routed in the area to be cut.
- Check that electrical cables within the working area are not live.
- Never leave the machine unsupervised with the engine running.
- Always saw in a manner that permits easy access to the emergency stop.
- Make sure that there is always another person close at hand when you use the machines, so that you can call for help if an accident should occur.
- Do not use the machine in bad weather, such as dense fog, rain, strong wind, intense cold, etc. Working in bad weather is tiring and can lead to dangerous conditions, e.g. slippery surfaces.
- Ensure that the working area is sufficiently illuminated to create a safe working environment.
- Always ensure you have a safe and stable working position.
- Observe care when lifting. You are handling heavy parts, which implies the risk of pinch injuries or other injuries.

---

# PRESENTATION

---

## PP 440 HF



It is our wish that you will be satisfied with your product and that it will be your companion for a long time. Think of this operator's manual as a valuable document. By following its' content (using, service, maintenance etc) the life span and the second-hand value of the machine can be extended. If you will sell this machine, make sure that the buyer will get the operator's manual.

A purchase of one of our products gives you access to professional help with repairs and services. If the retailer who sells your machine is not one of our authorised dealers, ask him for the address of your nearest service workshop.

Husqvarna Construction Products has a policy of continuous product development. Husqvarna reserves the right to modify the design and appearance of products without prior notice and without further obligation introduce design modifications.

## General

- PP 440 is a power unit specially developed to be used with the electric wall saw WS 440 HF.
- It has a compact design and weighs just 18 kg.
- Use 32 A for a 400 V system for full power.
- The power unit is connected to the saw with only one power lead.
- Equipped with a 230 V power outlet and a terminal for Canbus-cable.
- Equipped with an electric water valve which is controlled from the remote control.
- Through the remote control the operator receives information on power output, can measure the time and other things about the sawing process. The remote control also allows free movement around the workplace.

## PP 440 HF is supplied with the following equipment:

- 1 x power unit
- 1 x remote control
- 1 x power lead
- 1 x Canbus cable
- 1 x water hose
- Transport boxes for smooth transport.

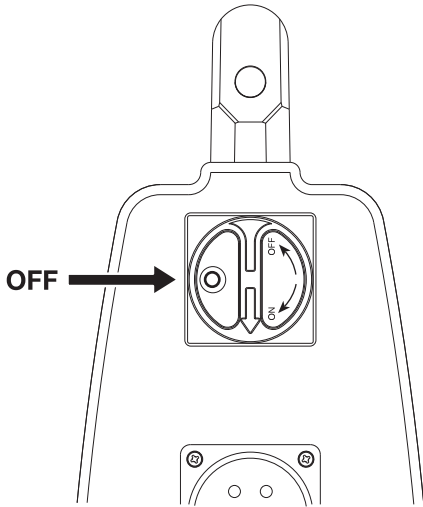


# ASSEMBLY

## Assembling/Installing equipment

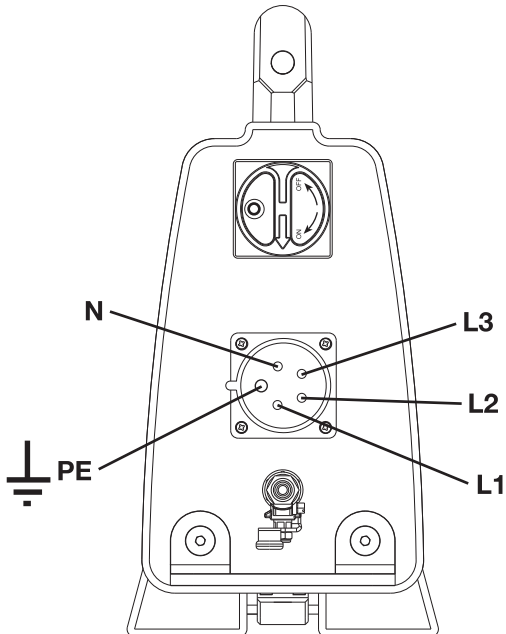
When the machine has been transported to a suitable site, it should be connected:

- Turn the main switch to the "0"-position.



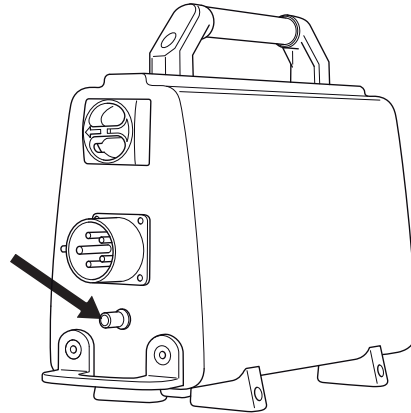
- Connect the incoming power cable (380-480 V, 32 A European connector). Power units equipped with a single phase socket (230 V) must also have a neutral wire in order for the socket to work. The power pack functions even if there is no neutral wire present.

To be able to use full power output, the power unit must be connected to a 32 A fuse. With a 16 A or 25 A fuse the power output is lower so as not to overload the fuse. This is selected when starting up the power unit.

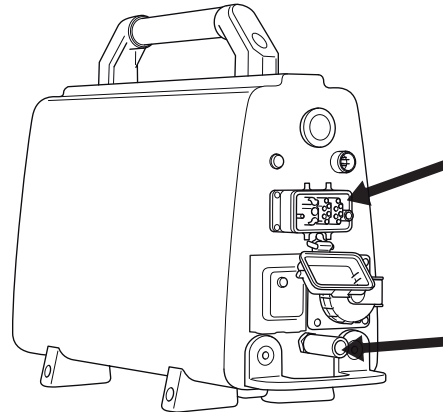


- Connect the water hose to the incoming water connector.

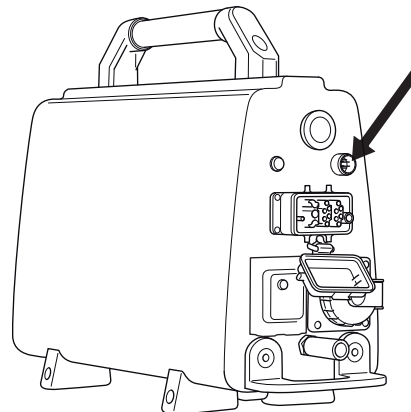
The power unit is equipped with an electric water valve, which is closed when the power pack is activated. When the power pack is without electricity, the valve is open to be able to drain water coolant if there is a risk of freezing.



- Connect the supplied power lead and water hose from the power unit to the saw unit.



- Connect the remote control using the supplied Canbus cable. Tighten the cable connector screws by hand.



---

# SETTINGS AND ADJUSTMENTS

---

## Start menu

The start menu is displayed every time the voltage to the power unit is switched on. In this menu the user must select the fuse.

The remote control display shows "SELECT FUSE".

If the available fuse is 32 A, confirm this by pressing the membrane key marked "OK". If no 32 A fuse is available, you can select 25 or 16 A instead by pushing the arrow down. The display now shows "SELECT FUSE" 25 A or 16 A. Press OK to confirm the selection.

The display now shows "HUSQVARNA PP-440 HF PRESS START".

## Operations menu

As long as the power unit has voltage but the blade rotation stands still, the display shows "Husqvarna PP-440 HF PRESS START".

Before starting, all controls must be turned to zero position. If this is not done, a message in the display will prompt this when the start button is pushed. "TURN OFF TRAVEL FEEDING" or "TURN OFF DEPTH FEEDING" or "TURN OFF BLADE".

When the blade rotation is started, "XX RPM/ B.YY mm ZZ% RPM" is displayed, where XX represents the number of revolutions, B stands for blade, YY represents the recommended blade size and ZZ the power output in percent of max. output.

By navigating with the arrow keys, the following settings can be reached:

- Water coolant
- Select language
- Id power unit
- Time
- Total machine time
- Rotation direction

## Water coolant

Select mode AUTO or ON. If AUTO is selected the water cooling is activated when the blade rotation starts. If ON is selected the water valve is always open. The water can be switched off manually with the water tap. The default mode at startup is AUTO. Selected mode is shown in the display. Change mode by pressing OK.

## Select language

Using this sub-menu you can set the language you wish to use on the display.

Scroll using the arrow keys until the required language is shown. Confirm with "OK".

## Id power unit

The display shows the identity number for the power unit.

## Time

The function is used to measure the amount of time a job takes. The time is counted from when the saw starts working.

Select:

- ON, to enable.
- OFF, to disable.
- RESET TIME, to reset.

Browse with the arrow keys and confirm with "OK".

## Total machine time

Here the total operation time of the power unit is shown. The time is shown in hours and minutes (hhhh:mm).

## Rotation direction

Here you can set the rotation direction of the blade. Select standard or backwards by pressing "OK".

# STARTING AND STOPPING

## Before starting



Before starting the saw, check that:

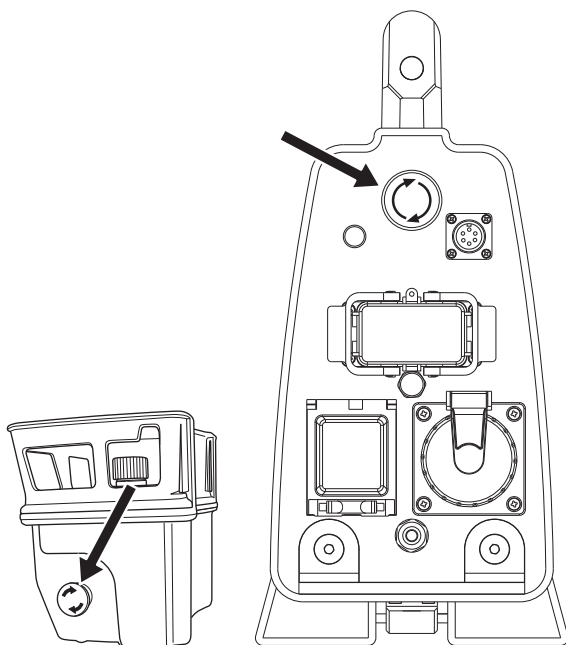
- The incoming electrical cable has been connected to a fuse rated at least 16 A.
- The power lead is connected to the saw unit.
- The 32 A, 25 A or 16 A power setting is chosen.
- All controls on the remote control have been set to zero position. If this is not done, a message in the display will prompt this when the start button is pushed.
- Enclose the area to be cut so that unauthorised persons can not be injured or disturb the operator.

**IMPORTANT!** A higher speed than the recommended speed can result in personal injury and damage to the equipment.

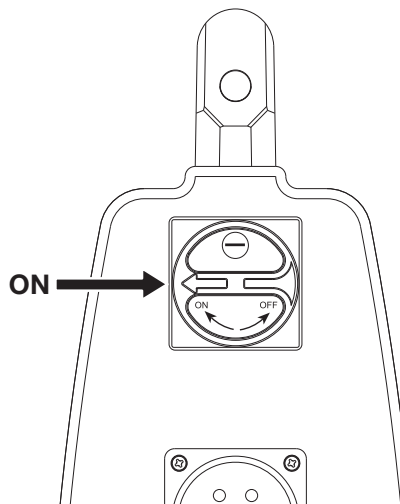
## Starting



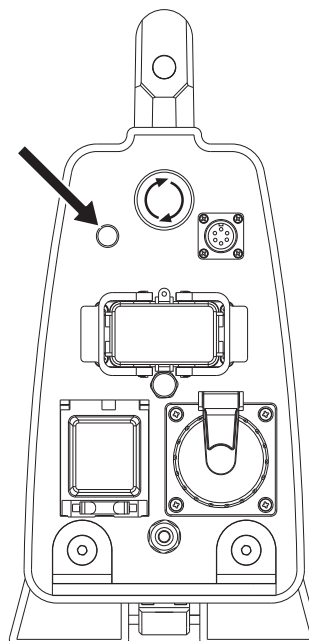
- Check that the emergency stop button on the power unit and the stop button on the remote control are not pressed by turning the them clockwise.



- Turn the main switch to "1"-position.



- The power unit is activated and this is shown by the indicator light shining.



The water valve in the power unit is now closed. This valve opens again when the blade rotation is started.

- The remote control display shows "SELECT FUSE".  
If the available fuse is 32 A, confirm this by pressing the membrane key marked 'OK'.

- If no 32 A fuse is available, you can select 25 or 16 A instead by pushing the arrow down. The display now shows "SELECT FUSE" 25 A or 16 A.

With a 25 A fuse you can use approx. 70% of the full output. With 16 A you can use approx. 50% of full output. The function is intended to obtain as high output as possible without overloading the fuse.

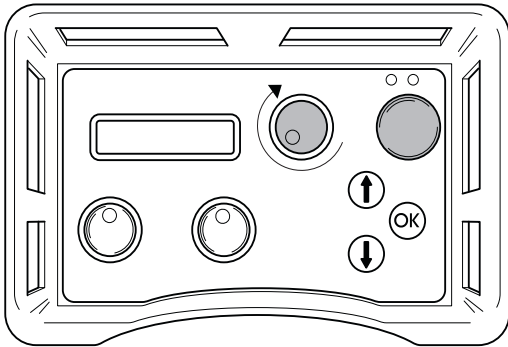
The power output for the chosen fuse is shown in percent on the display.

- Press OK to confirm the selection.
- The display now shows "HUSQVARNA PP-440 HF PRESS START".
- On the saw unit WS 440 HF, the blade's rotation direction is adjustable.

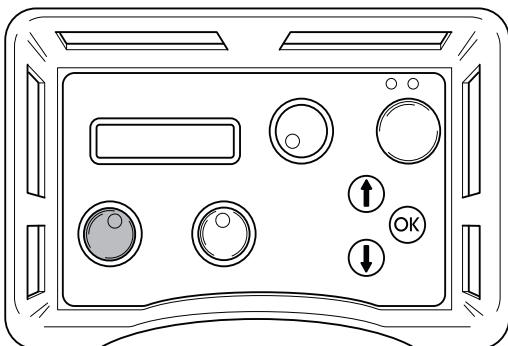
# STARTING AND STOPPING

Press "arrow up" on the remote control unit's membrane key to select the direction. The display shows "BLADE ROTATION STANDARD" or "BLADE ROTATION REVERSE". To change the current selection, press "OK". This must only be done when the blade is not moving.

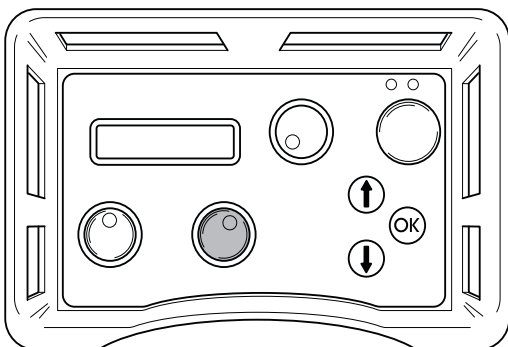
- Start the blade rotation by pushing and holding the green start button while turning the control for rotation direction clockwise. There is a three seconds delay before the blade rotation starts. You can follow the countdown in the display. The delay is to cool down the power unit which can get hot when active and no cooling water is circulating.



- There is no delay if selected mode for water coolant is ON.
- For more information on blade rotation and suitable blades for various revolution speeds, see table in technical specifications.
- The water cooling starts automatically when the knob for blade rotation is turned from its zero position. The water flow is adjusted with the ball valve at the incoming water connector on the power unit.
- Start the depth feeding of the blade by turning the depth feeding control in the desired direction.



- Start the saw unit's travel feed by turning the travel feed control in the desired direction.

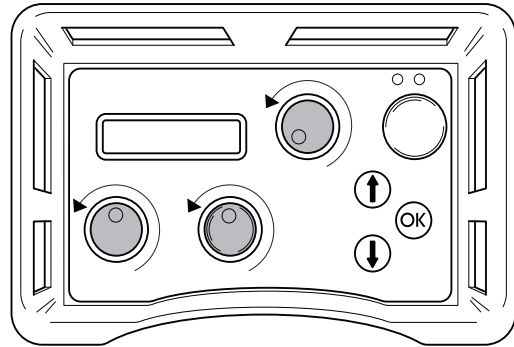


- Read through the manual supplied with the wall saw for further instructions in sawing technique.

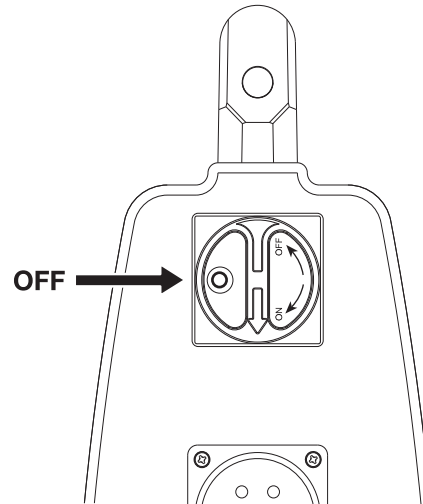
## Stopping



- To switch off the blade rotation, turn the blade rotation control anti-clockwise back to its zero position. Also turn the depth feeding and travel feeding controls to their zero positions.



- Turn the main switch on the power unit to "0"-position.



## After work is completed

### Dismantling the equipment

- Disconnect the incoming power lead and incoming water hose.
- Disconnect the power lead and water hose between the power unit and the saw unit.
- If there is a risk of freezing, the machine must be drained of any remaining water coolant.

### Cleaning



Make sure to keep the connectors and pins clean. Clean with a rag or brush.

Do not use a high pressure washer to clean the power unit.

# MAINTENANCE

## Service



**IMPORTANT!** All types of repairs may only be carried out by authorised repairmen. This is so that the operators are not exposed to great risks.

After 100 hours of operation, the message "Time for servicing" is displayed. The entire equipment shall then be taken to an authorized Husqvarna dealer for servicing.

## Error messages

In case of any defects, an error message appears on the display. Follow the directions supplied or contact an authorized dealer.

Error message	Cause	Steps
MOTOR OVERHEATED	Water coolant lacking/insufficient to saw motor.	Check that the water coolant flows to the saw motor and that it is max. 25°C and min 3.5 l/min.
POWER OVERHEATED	Water coolant lacking/insufficient to power unit.	Check that the water coolant flows to the power unit and that it is max 25°C and min 3.5 l/min. If the message pops up when the blade rotation is started - go to the operations menu and "Water coolant" and select "ON". Let the water coolant circulate the power unit for a minute before you turn the blade rotation on again.
LOW VOLTAGE	Low voltage supply to the power unit.	Check the voltage during operation. Check that all three phases exist. Check that incoming cables have sufficient cross-sectional area.
HIGH VOLTAGE	High voltage to the power unit.	Check the voltage during operation. This message is shown mainly when using a generator as power source.
OVER CURRENT	Over current to saw motor	Check that the power lead is fitted correctly and that it is not damaged. The message can appear in case of a loose contact.
H SENSOR TRAVEL	Fault on HAL-sensor card for travel feed	Take the equipment to an authorized service shop.
H SENSOR DEPTH	Fault on HAL-sensor card for depth feeding	Take the equipment to an authorized service shop.
NO CONTACT CHECK CAN-CABLE	No contact between power unit and remote control	Replace the Canbus-cable.

## Daily maintenance



Regularly check:

- Any abnormal noises.
- Make sure to keep the connectors and pins clean. Clean with a rag or brush.
- Do not use a high pressure washer to clean the power unit.

---

# TECHNICAL DATA

---

## PP 440 HF

Max. output, kW	15
Rated current, A	32
Input voltage, V	380-480 V, 50-60 Hz
Output voltage, V	340 V, 0-500 Hz
Sec. output voltage, V	24 V, 0-1500 Hz
Power supply	3P+PE (4-pin) / 3P+N+PE (5-pin)
1x230V one phase outlet	Only 5-pin machines

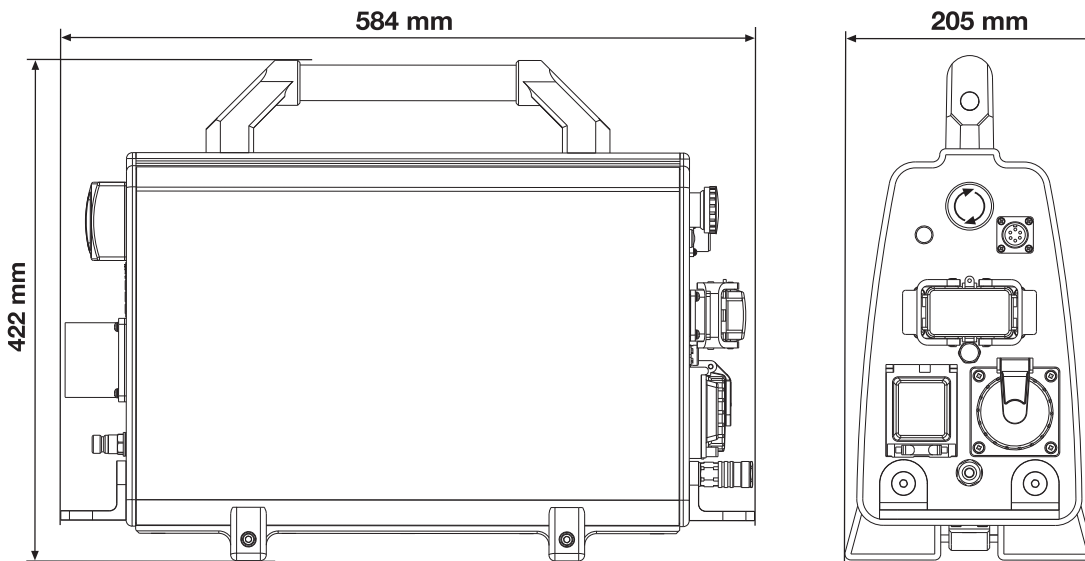
### Effect generator - min., kWA

400V, 16A	12
400V, 25A	20
400V, 32A	24

Weight, kg 18

Max cooling water temperature at 3,5 l/min, °C 25  
Max cooling water pressure, bar 7

## Dimensions



# TECHNICAL DATA

## Blade

### Recommended blade speed



**WARNING! Cutting at too high revs can cause damage to the blade and lead to personal injury.**

Follow the blade manufacture's recommendations regarding material and blade speed when choosing blade. A lower blade speed should be used when cutting in hard concrete than if cutting in soft concrete.

	600 mm (24")	800 mm (32")	1000 mm (40")	1200 mm (48")
600 rpm				
700 rpm				
800 rpm				
900 rpm				
1000 rpm				
1100 rpm				
1200 rpm				

Concrete	
	Hard
	Medium
	Soft

Follow the blade manufacture's recommendations regarding material and blade speed when choosing blade.

A lower blade speed should be used when cutting in hard concrete than if cutting in soft concrete.



**WARNING! Cutting at too high revs can cause damage to the blade and lead to personal injury.**

## EC-declaration of conformity

(Applies to Europe only)

**Husqvarna AB**, SE-433 81 Gothenburg, Sweden, tel: +46-31-949000, declares under sole responsibility that the power unit **Husqvarna PP 440 HF** from 2010's serial numbers and onwards (the year is clearly stated in plain text on the type plate with subsequent serial number) is in conformity with the requirements of the COUNCIL'S DIRECTIVES:

- of May 17, 2006 "relating to machinery" **2006/42/EC**
- of December 15, 2004 "relating to electromagnetic compatibility" **2004/108/EC**.
- of December 12, 2006 "relating to electrical equipment" **2006/95/EC**.

The following standards have been applied: EN ISO 12100:2003, EN 55014-1:2006, EN 55014-2/A1:2001, EN 61000-3-11:2000, EN 60204-1:2006.

Göteborg December 29, 2009

Henric Andersson

Vice President, Head of Power Cutters and Construction Equipment

Husqvarna AB

(Authorized representative for Husqvarna AB and responsible for technical documentation.)

# ACLARACIÓN DE LOS SÍMBOLOS

## Símbolos en la máquina:

¡ATENCIÓN! La máquina, si se utiliza de forma errónea o descuidada, puede ser una herramienta peligrosa que puede causar daños graves e incluso la muerte al usuario y a otras personas.



Lea detenidamente el manual de instrucciones y asegúrese de entender su contenido antes de utilizar la máquina.



Utilice siempre:

- Casco protector homologado
- Protectores auriculares homologados
- Gafas protectoras o visor
- Máscara respiratoria



Este producto cumple con la directiva CE vigente.



¡ATENCIÓN! Corriente intensa.



**Etiquetado ecológico.** El símbolo en el producto o en su envase indica que no se puede tratar este producto como desperdicio doméstico. Deberá por lo tanto depositarse en un centro de recogida adecuado para el reciclado de equipos eléctricos y electrónicos.

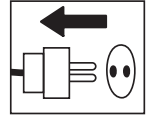


Haciendo que este producto sea manipulado adecuadamente, se ayuda a evitar consecuencias negativas potenciales para el medio ambiente y las personas, lo que puede ocurrir con la manipulación inadecuada como residuos del producto.

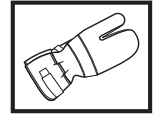
Para obtener información más detallada sobre el reciclado de este producto, contacte con la oficina municipal local, con el servicio de eliminación de desperdicios domésticos o con la tienda donde compró el producto.

## Símbolos en el manual de instrucciones:

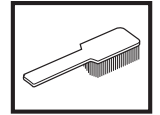
El control y/o mantenimiento de la máquina debe hacerse con el motor parado y el enchufe desenchufado.



Utilice siempre guantes protectores homologados.



La máquina debe limpiarse regularmente.



Control visual.



Debe utilizarse gafas protectoras o visor.





---

# ÍNDICE

---

## Índice

### ACLARACIÓN DE LOS SÍMBOLOS

Símbolos en la máquina: .....	16
Símbolos en el manual de instrucciones: .....	16

### ÍNDICE

Índice .....	17
--------------	----

### ¿QUÉ ES QUÉ?

Piezas de la unidad eléctrica .....	18
-------------------------------------	----

### INSTRUCCIONES DE SEGURIDAD

Antes de utilizar una nueva unidad eléctrica .....	19
Equipo de protección personal .....	19
Equipo de seguridad de la máquina .....	20
Instrucciones generales de seguridad .....	21
Instrucciones generales de trabajo .....	21

### PRESENTACIÓN

PP 440 HF .....	22
-----------------	----

### MONTAJE

Montaje / instalación del equipo .....	23
--	----

### REGLAJES Y AJUSTES

Menú de arranque .....	24
Menú de funcionamiento .....	24

### ARRANQUE Y PARADA

Antes de arrancar .....	25
Arranque .....	25
Parada .....	26
Después de terminar el trabajo .....	26

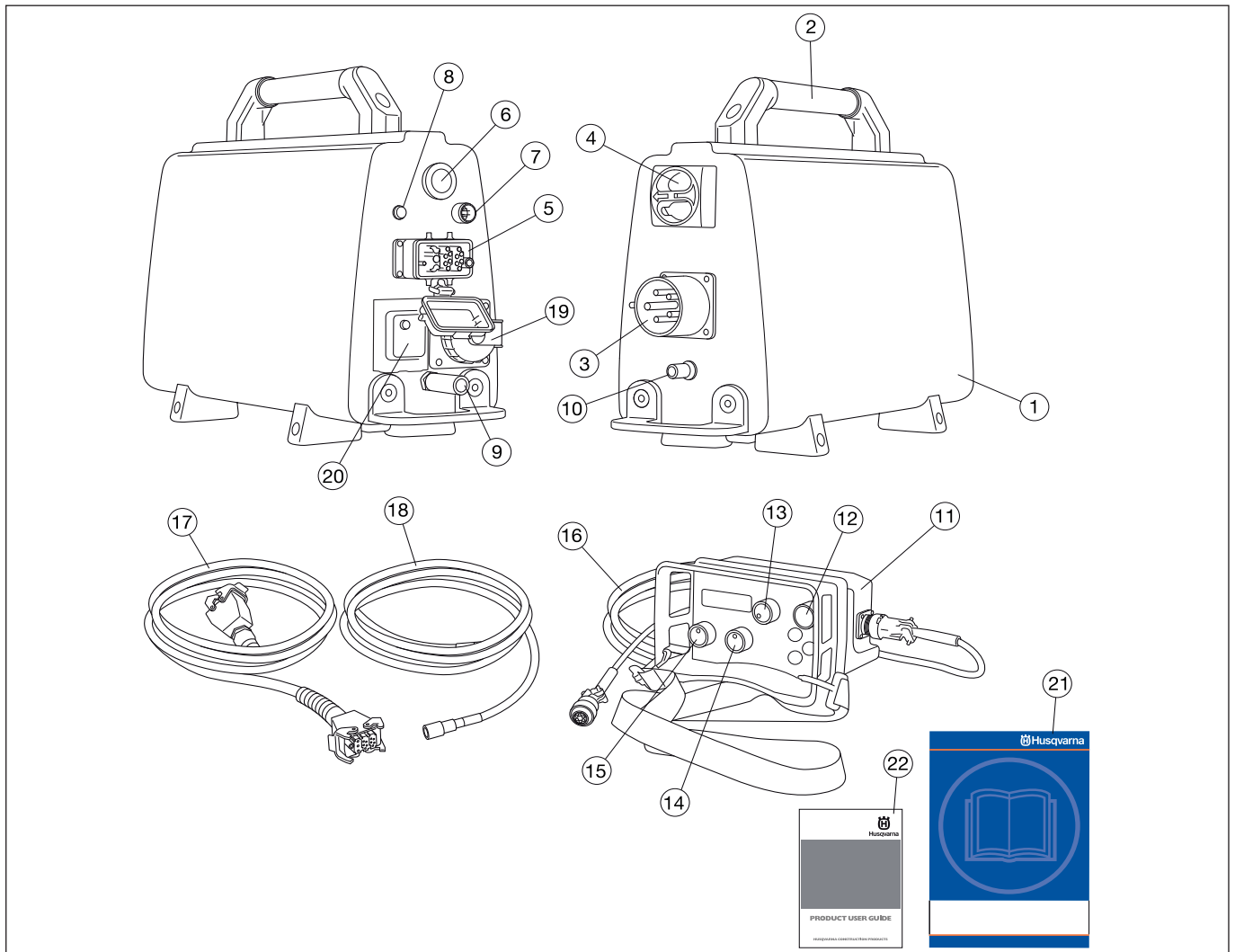
### MANTENIMIENTO

Servicio .....	27
Mantenimiento diario .....	27

### DATOS TÉCNICOS

PP 440 HF .....	28
Declaración CE de conformidad .....	29

# ¿QUÉ ES QUÉ?



## Piezas de la unidad eléctrica

- |    |                             |    |  |
|----|-----------------------------|----|--|
| 1  | Unidad eléctrica            | 12 | Botón de arranque  |
| 2  | Mango                       | 13 | Rotación de la hoja y activación del agua refrigerante                           |
| 3  | Toma eléctrica              | 14 | Avance longitudinal  |
| 4  | Interruptor principal       | 15 | Avance de entrada  |
| 5  | Conexión del cable          | 16 | Cable CAN-BUS  |
| 6  | Parada de emergencia        | 17 | Conductor de alimentación  |
| 7  | Puerto CAN-BUS              | 18 | Manguera de agua   |
| 8  | Indicador de corriente      | 19 | Toma monofásica (solo para dispositivos con 5 pines)                             |
| 9  | Conexión de salida de agua  | 20 | Interruptor de circuito de pérdida a tierra (solo para dispositivos con 5 pines) |
| 10 | Conexión de entrada de agua | 21 | Manual de instrucciones  |
| 11 | Mando a distancia           |    |  |

# INSTRUCCIONES DE SEGURIDAD

## Antes de utilizar una nueva unidad eléctrica

- Lea detenidamente el manual de instrucciones y asegúrese de entender su contenido antes de utilizar la máquina.
- Esta máquina sólo está destinada a ser utilizada junto con Husqvarna WS 440 HF. Está prohibida cualquier otra aplicación.
- Lea el manual de instrucciones suministrado con la sierra de pared antes de utilizar la unidad hidráulica.
- La máquina puede ocasionar lesiones graves. Lea atentamente las instrucciones de seguridad. Aprenda a utilizar la máquina.

## Emplee siempre el sentido común

Es imposible abarcar todas las situaciones en las que puede encontrarse. Utilice siempre el equipo con cuidado y sentido común. Evite todas aquellas situaciones que considere que sobrepasan sus capacidades. Si, después de leer estas instrucciones, no está seguro del procedimiento que debe seguir, consulte a un experto antes de utilizar el equipo.

No dude en ponerse en contacto con su distribuidor si tiene preguntas acerca del uso de la máquina. Estaremos encantados de poder aconsejarle y ayudarle a utilizar la máquina de manera eficaz y segura.

Diríjase a su distribuidor de Husqvarna para que revise la máquina regularmente y para que realice ajustes y reparaciones básicas.

Toda la información y todos los datos contenidos en este manual de instrucciones son vigentes en la fecha de impresión del manual.



**¡ATENCIÓN! No está permitido modificar el diseño original de la máquina, por ningún motivo, sin la autorización del fabricante. Utilice siempre accesorios originales. Las modificaciones y/o el uso de accesorios no autorizados comportan riesgo de daños personales graves y peligro de muerte para el usuario y otras personas.**

## Equipo de protección personal

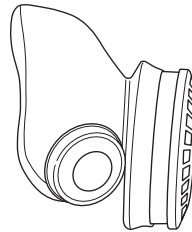


**¡ATENCIÓN! Para trabajar con la máquina debe utilizarse un equipo de protección personal homologado. El equipo de protección personal no elimina el riesgo de lesiones, pero reduce su efecto en caso de accidente. Pida a su distribuidor que le asesore en la elección del equipo.**

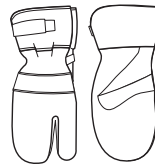
- Casco protector
- Protectores auriculares
- Gafas protectoras o visor



- Máscara respiratoria



- Guantes resistentes de agarre seguro.



- Prendas de vestir ceñidas, resistentes y cómodas que permitan una libertad de movimientos total.



- Botas con puntera de acero y suela antideslizante.



- Tenga siempre a mano el equipo de primeros auxilios.



# INSTRUCCIONES DE SEGURIDAD

## Equipo de seguridad de la máquina



En este capítulo se describen los componentes de seguridad de la máquina, su función y el modo de efectuar el control y el mantenimiento para garantizar un funcionamiento óptimo. En cuanto a la ubicación de estos componentes en su máquina, vea el capítulo Qué es qué.

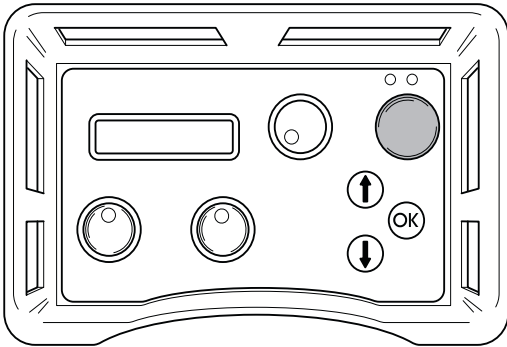


**¡ATENCIÓN! Nunca utilice una máquina que tenga un equipo de seguridad defectuoso. Efectúe el control y mantenimiento del equipo de seguridad de la máquina como se describió en este capítulo. Si su máquina no pasa todos los controles, entréguela a un taller de servicio para su reparación.**

**¡IMPORTANTE!** Todos los trabajos de servicio y reparación de la máquina requieren una formación especial. Esto es especialmente importante para el equipo de seguridad de la máquina. Si la máquina no pasa alguno de los controles indicados a continuación, acuda a su taller de servicio local. La compra de alguno de nuestros productos le garantiza que puede recibir un mantenimiento y servicio profesional. Si no ha adquirido la máquina en una de nuestras tiendas especializadas con servicio, solicite información sobre el taller de servicio más cercano.

## Botón de arranque

Mantenga pulsado el botón de arranque para que la hoja empiece a girar. Así evitará que la hoja gire por accidente.

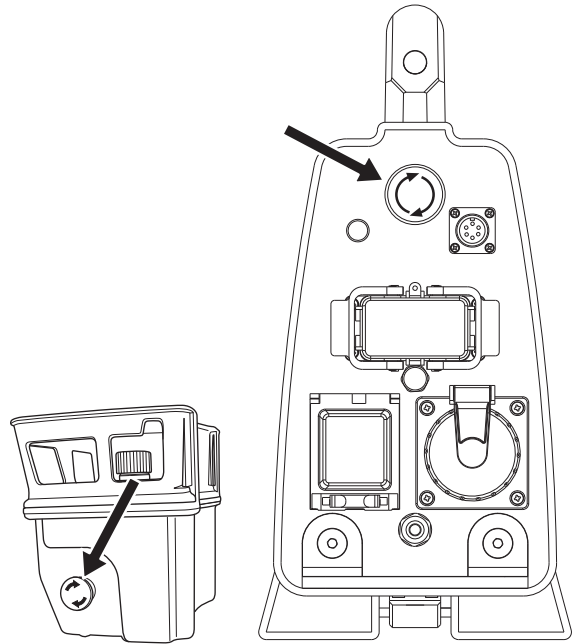


## Control del botón de arranque

- Gire el pulsador para activar la rotación de la hoja sin mantener pulsado el botón de arranque.  
La rotación de la hoja no debería accionarse.
- Mantenga pulsado el botón de arranque y gire el pulsador para que la hoja rote.  
La rotación de la hoja se pondrá en marcha.

## Parada de emergencia y botón de parada

La unidad eléctrica dispone de parada de emergencia y el control remoto tiene un botón de parada. Se utilizan para parar rápidamente la unidad eléctrica.

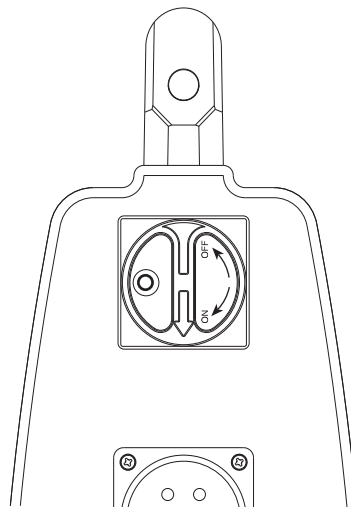


## Verifique la parada de emergencia y el botón de parada

- Ponga en marcha la rotación del disco.
- Pulse la parada de emergencia de la unidad eléctrica y compruebe que la rotación de la hoja se detiene. Compruebe de igual modo el botón de parada situado en el control remoto.

## Interruptor principal

El interruptor principal se utiliza para conectar y desconectar la unidad del suministro eléctrico. El interruptor principal debe estar en la posición «0» al conectar el cable de entrada.



## Control del interruptor principal

- Seleccione la posición «0» del interruptor principal.
- Intente poner en marcha la sierra.  
La sierra no debe accionarse.

# INSTRUCCIONES DE SEGURIDAD

## Instrucciones generales de seguridad

No utilice la máquina sin haber leído y comprendido el contenido de este manual de instrucciones.



**¡ATENCIÓN!** Existe siempre riesgo de sacudidas eléctricas al usar máquinas eléctricas. No usar la máquina en condiciones climáticas desfavorables y evitar el contacto del cuerpo con pararrayos y objetos metálicos. Seguir siempre las instrucciones del manual para evitar daños.

- Nunca utilice la máquina si está cansado, si ha ingerido alcohol o si toma medicamentos que puedan afectar la vista, su capacidad de discernimiento o el control del cuerpo.
- Utilice el equipo de protección personal. Vea las instrucciones bajo el título Equipo de protección personal.
- No lleve nunca la máquina agarrando el cable y no tire del cable para desenchufarla.
- Mantenga todos los cables apartados del agua, el aceite y los bordes agudos. Proceda con cuidado para evitar que el cable se enganche en puertas, vallas o similares. Hay riesgo de cargar objetos con electricidad.
- Compruebe que los cables están intactos y en buen estado.
- Si se daña un cable, no utilice la máquina. Llévela a reparar a un taller de servicio oficial.
- La máquina se debe enchufar a un enchufe con masa.
- Compruebe que la tensión de red concuerda con la que se indica en la placa de características de la máquina.
- Mantener todas las piezas en perfecto estado y comprobar que todos los elementos de fijación estén bien apretados.
- No utilice nunca una máquina defectuosa. Siga las instrucciones de mantenimiento, control y servicio de este manual. Algunas medidas de mantenimiento y servicio deben ser efectuadas por especialistas formados y cualificados. Vea las instrucciones bajo el título Mantenimiento.
- No modificar nunca los dispositivos de seguridad. Comprobar regularmente que funcionan como es debido. La máquina no se debe operar con dispositivos de seguridad defectuosos o ausentes.
- Nunca deje que terceros utilicen la máquina sin asegurarse primero de que hayan entendido el contenido de este manual de instrucciones.
- Las personas y los animales pueden distraer y hacer perder el control de la máquina. Por consiguiente, el operador debe estar siempre concentrado en su trabajo.
- Tener en cuenta que las ropas, el pelo largo y las joyas pueden atascarse en piezas móviles.
- Proceda con cuidado en las elevaciones. Las piezas son pesadas, por lo que hay riesgo de daños por apriete y daños personales de otro tipo.

## Transporte y almacenamiento

- Desconecte siempre la unidad eléctrica y el cable eléctrico antes de mover el equipo.
- Guarde el equipo en un lugar seguro fuera del alcance de los niños y las personas no autorizadas.

- Si existe riesgo de congelación, drene el agua refrigeradora restante del dispositivo.
- Utilice las cajas suministradas para guardar el equipo.

## Instrucciones generales de trabajo

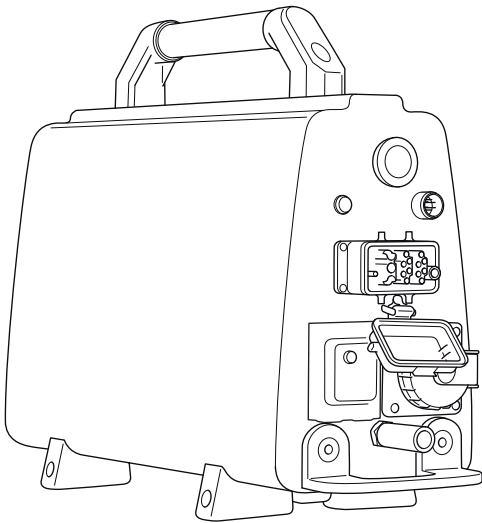


**¡ATENCIÓN!** Este apartado trata las normas de seguridad básicas para trabajar con el dispositivo. Esta información no sustituye en ningún caso los conocimientos y la experiencia de un profesional. Si se encuentra en alguna situación que le haga sentirse inseguro, deténgase y consulte con un experto. Póngase en contacto con su distribuidor, un taller de servicio o un usuario de cortadoras experimentado. No emplee la máquina en aplicaciones para las que no se considere plenamente cualificado.

- Todos los operadores deben ser formados en el empleo de la máquina. El propietario es responsable de la formación de los operadores.
- Compruebe que todas las juntas, conexiones y cables están intactos y limpios.
- Compruebe que todos los cables y el suministro de agua están correctamente conectados a la máquina antes de arrancarla.
- Nunca desconecte el cable sin desconectar antes la unidad eléctrica y esperar a que la máquina se detenga por completo.
- En caso de emergencia, pulse el botón rojo de parada de emergencia de la unidad o el botón de parada del control remoto.
- Averigüe y marque siempre la ubicación del trazado de las tuberías de gas. El corte cerca de las tuberías de gas siempre es peligroso. Procure que no se generen chispas al cortar, debido al riesgo de explosión. Trabaje concentrado en su tarea. La negligencia comporta riesgo de daños personales graves y peligro de muerte.
- Use la máquina exclusivamente en lugares con buena ventilación. Los descuidos pueden ocasionar daños graves o mortales.
- Compruebe que los cables eléctricos que haya en el área de trabajo no tengan tensión.
- Mantenga bajo vigilancia la máquina siempre que el motor esté en marcha.
- No haga nunca trabajos de corte de forma tal que no pueda acceder fácilmente a la parada de emergencia.
- Al trabajar con las máquinas, procure siempre que haya alguien cerca, que pueda prestar ayuda en caso de accidente.
- No usar en condiciones climáticas desfavorables. Por ejemplo, niebla densa, lluvia, viento fuerte, frío intenso, etc. Trabajar con mal tiempo es cansador y puede crear condiciones peligrosas, por ejemplo suelo resbaladizo.
- Controle que la zona de trabajo esté bien iluminada para lograr un entorno seguro.
- Cerciórese siempre de tener una posición de trabajo segura y firme.
- Proceda con cuidado en las elevaciones. Las piezas son pesadas, por lo que hay riesgo de daños por apriete y daños personales de otro tipo.

# PRESENTACIÓN

## PP 440 HF



Esperamos que su máquina le proporcione plena satisfacción y le sirva de ayuda por mucho tiempo en adelante. Tenga en cuenta que este manual de instrucciones es un documento de valor. Siguiendo sus instrucciones (de uso, servicio, mantenimiento, etcétera) puede alargar considerablemente la vida útil de la máquina e incrementar su valor de reventa. Si vende su máquina, entregue el manual de instrucciones al nuevo propietario.

La adquisición de alguno de nuestros productos da acceso a asistencia profesional con reparaciones y servicio. Si la máquina no fue adquirida en un distribuidor oficial, preguntar en la tienda de compra la dirección del taller de servicio más cercano.

Husqvarna Construction Products se esfuerza constantemente por mejorar la construcción de sus productos. Por consiguiente, Husqvarna se reserva el derecho a introducir modificaciones de diseño sin previo aviso y sin compromisos ulteriores.

## Generalidades

- La PP 440 es una unidad desarrollada específicamente para la sierra de pared WS 440 HF.
- Tiene un diseño compacto y solo pesa 18 kg.
- A pleno funcionamiento, utiliza 32 A en sistemas de 400 V.
- La unidad se conecta a la sierra con un único conductor de alimentación.
- Incorpora una salida de potencia de 230 V y un terminal para un cable CAN-BUS.
- Incluye una electroválvula hidráulica que se acciona mediante el control remoto.
- A través del control remoto, el operario recibe información acerca de la potencia de salida y puede medir el tiempo y otros datos del proceso de serrado. El control remoto también le permite moverse libremente por el lugar de trabajo.

## PP 440 HF se entrega con estos equipos:

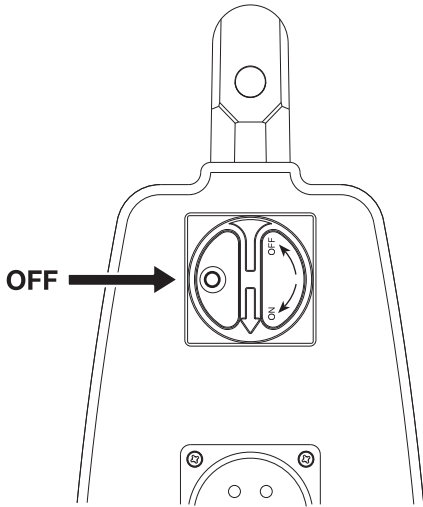
- 1 unidad eléctrica
- 1 mando a distancia
- 1 conductor de alimentación
- 1 cable de bus CAN
- 1 Manguera de agua
- Cajas para un transporte más cómodo

# MONTAJE

## Montaje / instalación del equipo

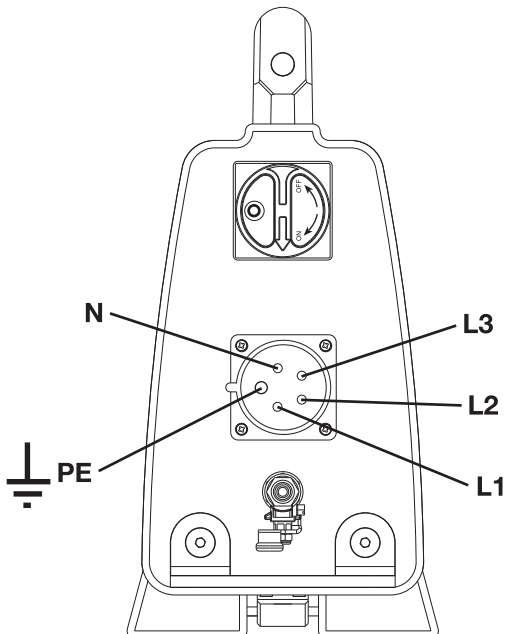
Después de ser transportada a un lugar adecuado, la máquina debe conectarse:

- Seleccione la posición «0» del interruptor principal.



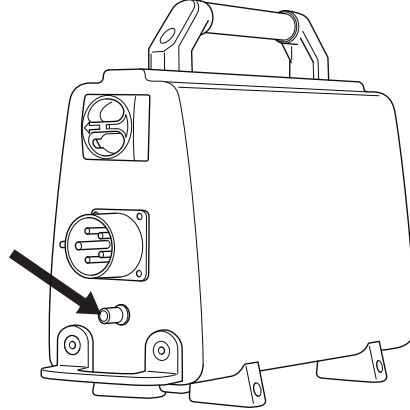
- Conectar el cable eléctrico entrante (380-480 V, 32-63 A, enchufe europeo). Las unidades de alimentación con toma monofásica (230 V) deben tener también un cable neutro para que la toma funcione. La unidad de alimentación funciona incluso sin el cable neutro.

Para utilizar toda la potencia de salida, debe conectar la unidad a un fusible de 32 A. Con un fusible de 16 A o de 25 A, la potencia de salida es inferior para no sobrecargar el fusible. Puede seleccionarlo al poner en marcha la unidad.

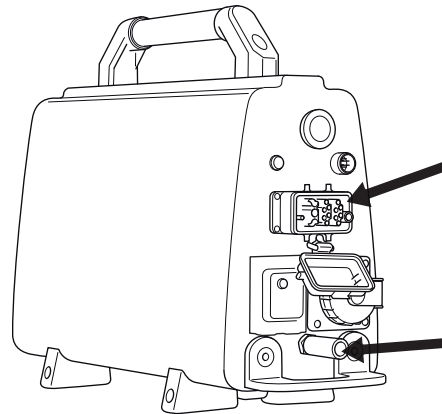


- Conecte la manguera de agua a la conexión de entrada de agua.

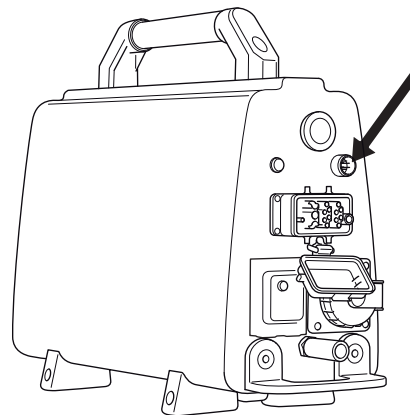
La unidad incorpora una electroválvula hidráulica, que permanece cerrada mientras el bloque de alimentación está activado. Cuando el bloque no recibe corriente, la válvula se abre para drenar el agua refrigeradora si hay riesgo de congelación.



- Conecte el conductor de alimentación y la manguera de agua suministrados de la unidad eléctrica a la unidad de serrado.



- Conectar el mando a distancia con el cable de bus CAN incluido en la entrega. Fijar el contacto de cable enroscándolo a mano.



# REGLAJES Y AJUSTES

## Menú de arranque

Cada vez que conecte la tensión de la unidad eléctrica se mostrará el menú de inicio. Con este menú, el usuario selecciona el fusible.

En el control remoto aparecerá el mensaje «ELEGIR FUSIBLE».

Si el fusible colocado es de 32 A, se activa pulsando la tecla de membrana marcada con 'OK'. Si no está disponible el de 32 A, puede seleccionar uno de 25 o 16 A con la flecha para bajar. La pantalla indicará «ELEGIR FUSIBLE», 25 A o 16 A. Pulsar 'OK' para confirmar la elección.

Aparecerá el mensaje «HUSQVARNA PP-440 HF PULSAR ARRANQUE».

## Menú de funcionamiento

Mientras entre tensión a la unidad eléctrica y la hoja no rote, se visualizará el mensaje «Husqvarna PP-440 HF PULSAR ARRANQUE».

Antes de arrancar, todos los controles deben estar en la posición «0». Si no lo están, aparecerá un mensaje en la pantalla al pulsar el botón de arranque. «DESCONECTAR AVANCE», «DESCONECTAR ENTRADA» o «DESCONECTAR HOJA».

Cuando se active la rotación de la hoja, aparecerá «XX RPM/B. YY mm ZZ% RPM»: XX indica el número de revoluciones; B, la hoja; YY, el tamaño de hoja recomendado, y ZZ, el porcentaje de potencia de salida en relación con la potencia máxima.

Puede acceder a los siguientes ajustes con las flechas de dirección:

- Agua refrigerante
- Select language
- ID de la unidad eléctrica
- Cronometraje
- Tiempo total de máquina
- Dirección de la rotación

## Agua refrigerante

Seleccione el modo «AUTO» u «ON». Si selecciona «AUTO», se activará la refrigeración por agua cuando la hoja empiece a rotar. Si selecciona «ON», la válvula de agua estará siempre abierta. El agua puede cerrarse manualmente con el grifo de agua. Al iniciar, el modo seleccionado por defecto será «AUTO». El modo seleccionado aparece en pantalla. Cambie el modo pulsando «OK».

## Select language

Con este submenú se puede elegir el idioma que se desea usar en el display.

Desplazarse con las teclas de flecha hasta que se muestre el idioma deseado. Confirmar con 'OK'.

## ID de la unidad eléctrica

En la pantalla aparecerá el número de identificación de la unidad eléctrica.

## Cronometraje

Esta función se usa para medir el tiempo de un trabajo. El cronometraje se inicia cuando la sierra empieza a trabajar.

Seleccionar:

- ACT para activar.
- DES para desactivar.
- PUESTA A CERO CRONOMETRAJE para la puesta a cero.

Desplácese con las flechas de dirección y confirme con «OK».

## Tiempo total de máquina

Aquí se muestra el tiempo total de funcionamiento de la unidad. Se indica en horas y minutos (hhhh:mm).

## Dirección de la rotación

Aquí puede seleccionar el sentido de rotación de la hoja. Seleccione estándar o hacia atrás pulsando «OK».



# ARRANQUE Y PARADA

## Antes de arrancar



Antes de poner en marcha la sierra, compruebe si:

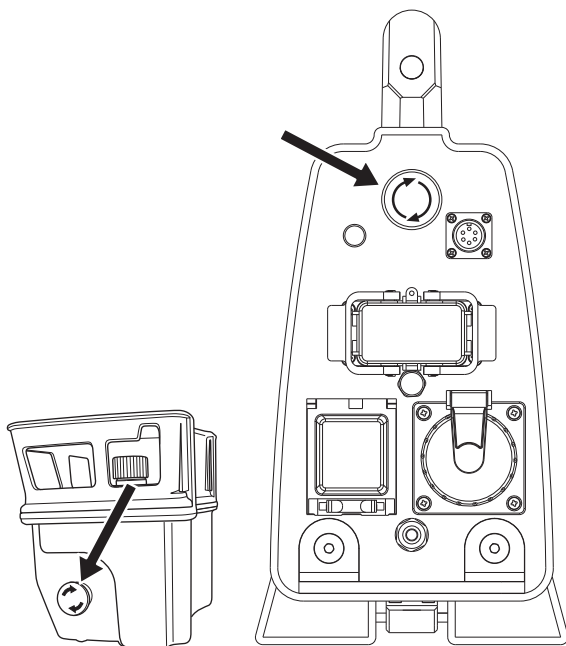
- El cable eléctrico entrante esté conectado a como mínimo un fusible de 16 A.
- El conductor de alimentación está conectado a la unidad de serrado.
- Está seleccionada la modalidad de potencia 32 A, 25 A o 16 A.
- Todos los controles del control remoto está en la posición «0». Si no lo están, aparecerá un mensaje en la pantalla al pulsar el botón de arranque.
- Cerque el área en que va a cortar para impedir la entrada de personas ajenas al trabajo y evitar el riesgo de que sufran daños y que le estorben en el trabajo.

**¡IMPORTANTE!** Una velocidad más alta que la recomendada comporta riesgo de daños personales y del equipo.

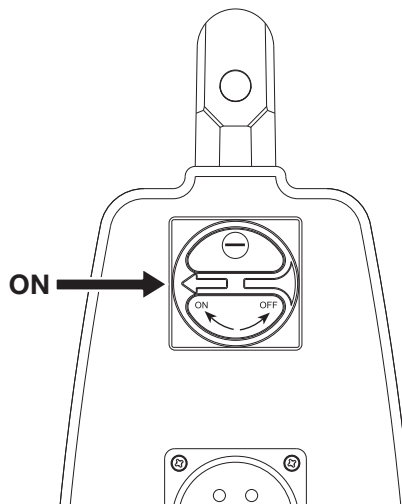
## Arranque



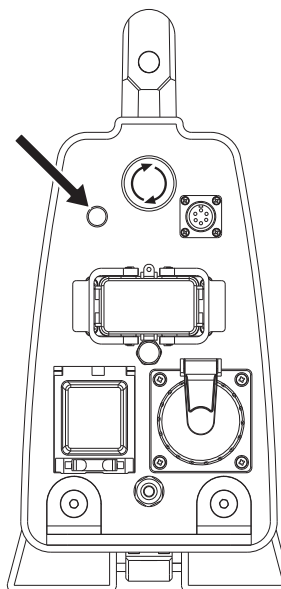
- Compruebe que ni el botón de parada de emergencia de la unidad eléctrica ni el botón de parada del control remoto están pulsados girándolos en el sentido de las agujas del reloj.



- Coloque el interruptor principal en la posición «1».



- Se activará la unidad, por lo que la luz de indicación parpadeará.



En consecuencia, la válvula hidráulica de la unidad eléctrica estará cerrada. Se abrirá de nuevo cuando se active la rotación de la hoja.

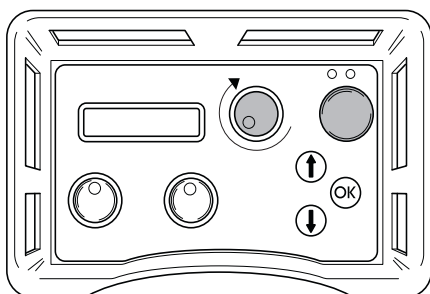
- En el control remoto aparecerá el mensaje «ELEGIR FUSIBLE».
  - Si el fusible colocado es de 32 A, se activa pulsando la tecla de membrana marcada con 'OK'.
  - Si no está disponible el de 32 A, puede seleccionar uno de 25 o 16 A con la flecha para bajar. La pantalla indicará «ELEGIR FUSIBLE», 25 A o 16 A.
- Con un fusible de 25 A puede utilizar aproximadamente un 70 % de la potencia total. Con 16 A puede utilizar aproximadamente un 50 % de la potencia total. Con esta función se pretende obtener tanta potencia como sea posible sin sobrecargar el fusible.
- El porcentaje de la potencia de salida para el fusible elegido aparece en pantalla.
- Pulsar 'OK' para confirmar la elección.
  - Aparecerá el mensaje «HUSQVARNA PP-440 HF PULSAR ARRANQUE».

# ARRANQUE Y PARADA

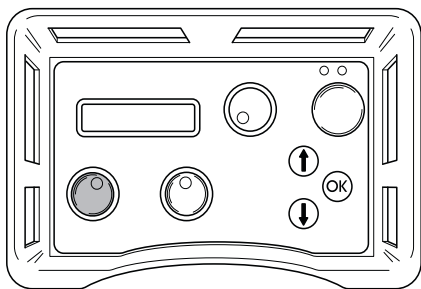
- Puede ajustar el sentido de rotación de la hoja de la unidad WS 440 HF.

Pulse la flecha para subir del teclado del control remoto para seleccionar el sentido. En la pantalla aparecerá el mensaje «ROTACIÓN DE HOJA: ESTÁNDAR» o «ROTACIÓN DE HOJA: ATRÁS». Para escoger la opción resaltada pulse «OK». Solo podrá realizar esta selección mientras la hoja está parada.

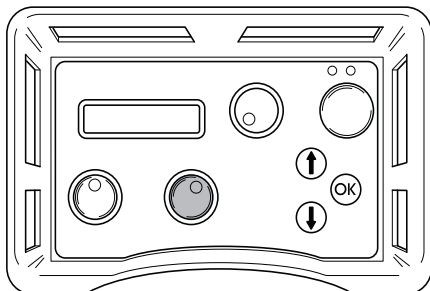
- Active la rotación de la hoja manteniendo pulsado el botón de arranque verde mientras gira el control de rotación en el sentido de las agujas del reloj. Existe un retraso de tres segundos antes de que la hoja empiece a rotar. Puede seguir la cuenta atrás en la pantalla. El retraso sirve para enfriar la unidad de alimentación, que puede calentarse cuando está activa y no hay agua refrigerada en circulación.



- Si el modo seleccionado para el agua refrigeradora es «ON», no habrá retraso.
- Encontrará más información sobre la rotación de la hoja y de las hojas apropiadas para las distintas velocidades en la tabla con los datos técnicos.
- La refrigeración por agua empieza automáticamente cuando la manija para la rotación de la hoja se desplaza de la posición cero. El flujo de agua se ajusta con la válvula esférica de la conexión de entrada de agua de la unidad.
- Activar el avance de entrada, girando la manija de avance de entrada del mando a distancia en la dirección deseada.



- Active el avance de la unidad de serrado girando el control de avance en el sentido deseado.

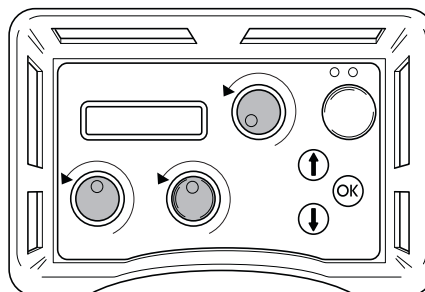


- Para más información sobre la técnica de serrado, lea detenidamente el manual facilitado con la sierra de pared.

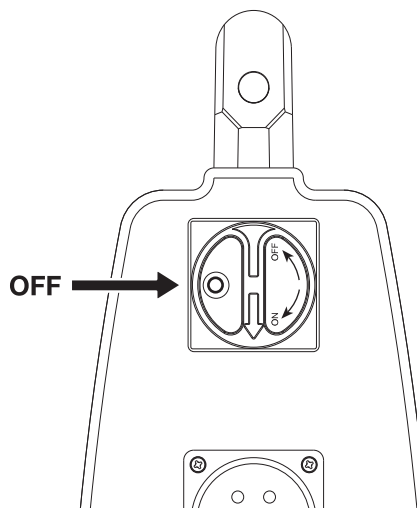
## Parada



- Para desactivar la rotación de la hoja, gire el control de rotación en sentido contrario al de las agujas del reloj, hasta alcanzar la posición «0». Gire los controles de entrada y avance a las posiciones «0» respectivas.



- Seleccione la posición «0» del interruptor principal de la unidad eléctrica.

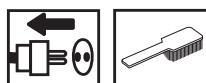


## Después de terminar el trabajo

### Desmontaje del equipo

- Desconecte el conductor de alimentación de entrada y la manguera de entrada de agua.
- Desconecte el conductor de alimentación y la manguera de agua entre la unidad eléctrica y la unidad de serrado.
- Si existe riesgo de congelación, drene el agua refrigeradora restante del dispositivo.

### Limpieza



Asegúrese de que los conectores y los pines están limpios. Límpielos con un trapo o un cepillo.

No utilice un equipo de limpieza a alta presión para limpiar la unidad.

# MANTENIMIENTO

## Servicio



¡IMPORTANTE! Las reparaciones de todo tipo deben ser efectuadas por técnicos autorizados, únicamente. De este modo se evita someter a los operadores a grandes riesgos.

Después de 100 horas de funcionamiento, se mostrará el mensaje «Time for servicing» («Efectuar mantenimiento»). Deberá llevar el equipo a un distribuidor autorizado de Husqvarna para que efectúe el mantenimiento de la máquina.

## Mensajes de fallo

Si hubiese defectos, aparecería un mensaje de error en la pantalla. Siga las instrucciones indicadas o póngase en contacto con un distribuidor autorizado.

Mensaje de error	Causa	Medida
MOTOR OVERHEATED (SOBRECALENTAMIENTO DEL MOTOR)	Falta agua refrigeradora o es insuficiente para el motor de la sierra.	Verifique que el agua refrigeradora llega al motor de la sierra a un máximo de 25 °C y a 3,5 l/min como mínimo.
POWER OVERHEATED (SOBRECALENTAMIENTO ELÉCTRICO)	Falta agua refrigeradora o es insuficiente para la unidad.	Verifique que el agua refrigeradora llega a la unidad a un máximo de 25 °C y a 3,5 l/min como mínimo. Si aparece un mensaje al iniciar la rotación de la hoja, vaya al menú de funcionamiento y seleccione «ON» en «Water coolant» (agua refrigeradora). Deje que el agua refrigeradora circule por la unidad de alimentación durante un minuto antes de volver a iniciar la rotación de la hoja.
LOW VOLTAGE (TENSIÓN BAJA)	Tensión eléctrica baja para la unidad.	Controle la tensión durante el funcionamiento. Compruebe que existen las tres fases. Verifique que los cables de entrada tienen una sección suficiente.
HIGH VOLTAGE (TENSIÓN ALTA)	Tensión alta en la unidad.	Controle la tensión durante el funcionamiento. Este mensaje se muestra normalmente cuando se utiliza un generador como fuente de alimentación.
OVER CURRENT (SOBREINTENSIDAD)	Sobreintensidad en el motor de la sierra.	Compruebe que el conductor de alimentación está bien colocado y que no tiene ningún daño. Este mensaje puede mostrarse si hay algún contacto flojo.
H SENSOR TRAVEL (SENSOR H PARA AVANCE)	Avería en la tarjeta del sensor HAL para el avance.	Lleve el equipo a un taller de reparación autorizado.
H SENSOR DEPTH (SENSOR H PARA ENTRADA)	Avería en la tarjeta del sensor HAL para la entrada.	Lleve el equipo a un taller de reparación autorizado.
NO CONTACT CHECK CAN-CABLE (NO HAY CONTACTO, COMPROBAR CABLE CAN)	No hay contacto entre la unidad eléctrica y el control remoto.	Sustituya el cable CAN-BUS.

## Mantenimiento diario



Controlar rutinariamente:

- Si hay ruidos anormales.
- Asegúrese de que los conectores y los pines están limpios. Límpielos con un trapo o un cepillo.
- No utilice un equipo de limpieza a alta presión para limpiar la unidad.

# DATOS TECNICOS

## PP 440 HF

Salida máx., kW	15
Amperaje nominal, A	32
Tensión de entrada, V	380-480 V, 50-60 Hz
Tensión de salida, V	340 V, 0-500 Hz
Seg. tensión de salida, V	24 V, 0-1500 Hz
Conexión eléctrica	3P+PE (4-pin) / 3P+N+PE (5-pin)
1 toma monofásica de 230 V	Solo dispositivos de 5 pines

### Resultado del generador: en min y kVA.

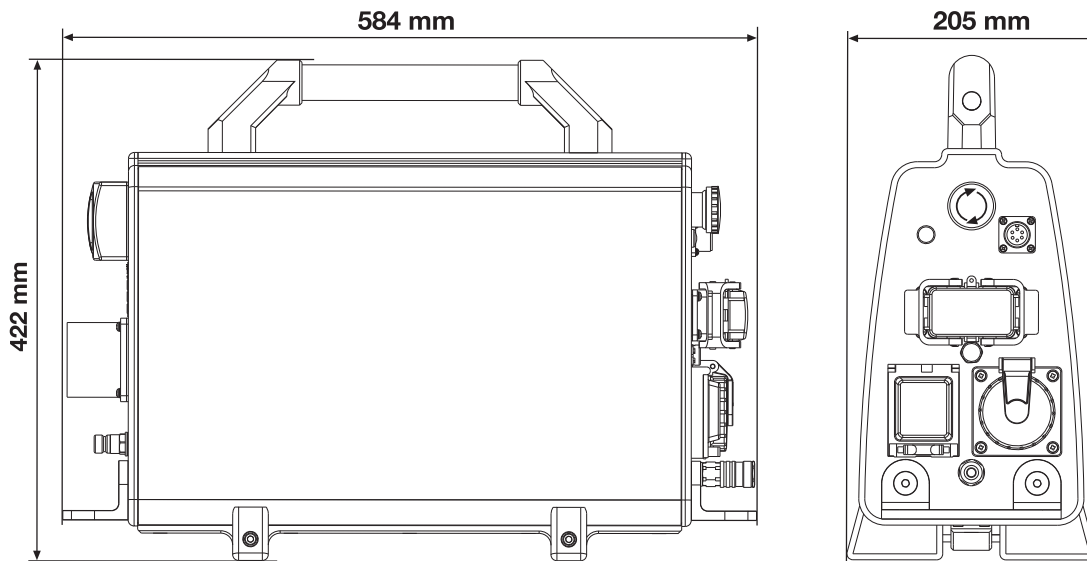
400V, 16A	12
400V, 25A	20
400V, 32A	24

Peso, kg 18

Temperatura máx. de la refrigeración hidráulica a 3,5 l/ min, °C 25

Presión máx. de la refrigeración hidráulica, bar 7

## Dimensiones



# DATOS TECNICOS

## Hoja

### Velocidad de la hoja recomendada



¡ATENCIÓN! Si corta a revoluciones demasiado elevadas puede causar daños a la hoja y daños personales.

Siga las recomendaciones del fabricante de la hoja acerca del material y la velocidad cuando elija una hoja. Deberá utilizarse una velocidad de hoja más baja al cortar en hormigón duro que al cortar en hormigón blando.

	600 mm (24")	800 mm (32")	1000 mm (40")	1200 mm (48")
600 r.p.m.				
700 r.p.m.				
800 r.p.m.				
900 r.p.m.				
1000 r.p.m.				
1100 r.p.m.				
1200 r.p.m.				

Hormigón	
	Duro
	Medio
	Blando

Siga las recomendaciones del fabricante de la hoja acerca del material y la velocidad cuando elija una hoja. Deberá utilizarse una velocidad de hoja más baja al cortar en hormigón duro que al cortar en hormigón blando.



¡ATENCIÓN! Si corta a revoluciones demasiado elevadas puede causar daños a la hoja y daños personales.

## Declaración CE de conformidad

(Rige sólo para Europa)

**Husqvarna AB**, SE-443 81 Gothenburg, Suecia, teléfono +46-31-949000, declara bajo su exclusiva responsabilidad que la unidad eléctrica **Husqvarna PP 440 HF**, a partir de los números de serie del año 2010 (el año se indica claramente en texto plano en la placa de modelo, junto con el número de serie), cumple con las disposiciones de las Directivas del Consejo:

- **2006/42/CE** «relativa a máquinas» del 17 de mayo de 2006.
- **2004/108/CEE**, "referente a compatibilidad electromagnética", del 15 de diciembre de 2004.
- **2006/95/CE** del 12 de diciembre de 2006 relativa a equipos eléctricos.

Se han aplicado las siguientes normas: EN ISO 12100:2003, EN 55014-1:2006, EN 55014-2/A1:2001, EN 61000-3-11:2000, EN 60204-1:2006.

Göteborg, 29 de diciembre de 2009

Henric Andersson

Vicepresidente, jefe de la sección de cortadoras y maquinaria para la construcción

Husqvarna AB

(Presentante autorizado de Husqvarna AB y responsable de la documentación técnica.)

# SYMBOLERKLÄRUNG

## Symbole am Gerät:

**WARNUNG!** Das Gerät kann falsch oder nachlässig angewendet gefährlich sein und zu schweren oder gar lebensgefährlichen Verletzungen des Benutzers oder anderer Personen führen.



Lesen Sie die Bedienungsanleitung sorgfältig durch und machen Sie sich mit dem Inhalt vertraut, bevor Sie das Gerät benutzen.



Benutzen Sie immer:

- Einen zugelassenen Schutzhelm
- Einen zugelassenen Gehörschutz
- Schutzbrille oder Visier
- Atemschutzmaske



Dieses Produkt stimmt mit den geltenden CE-Richtlinien überein.



**WARNUNG!** Hoher Strom.



**Umweltkennzeichnung** Das Symbol auf dem Produkt oder der Verpackung gibt an, dass dieses Produkt nicht im Hausmüll entsorgt werden darf. Zur Entsorgung ist es stattdessen an eine entsprechende Recyclinganlage für elektrische und elektronische Geräte zu übergeben.

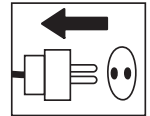


Durch eine korrekte Entsorgung dieses Produkts tragen Sie dazu bei, mögliche negative Auswirkungen auf Ihre Umwelt und Mitmenschen zu verhindern. Durch eine unsachgemäße Entsorgung dieses Produkts können Schäden entstehen.

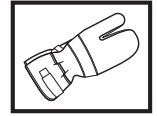
Ausführliche Recyclinginformationen zu diesem Produkt erhalten Sie von Ihrer Kommune, Entsorgungsunternehmen für Hausmüll oder dem Geschäft, in dem Sie das Produkt erworben haben.

## Symbole in der Bedienungsanleitung:

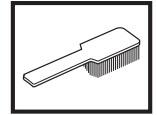
Kontrollen und/oder Wartungsarbeiten sind bei abgeschaltetem Motor und abgezogenem Stecker durchzuführen.



Stets zugelassene Schutzhandschuhe tragen.



Regelmäßige Reinigung ist notwendig.



Visuelle Kontrolle.



Schutzbrille oder Gesichtsschutz müssen benutzt werden.



---

# INHALT

---

## Inhalt

### **SYMBOLERKLÄRUNG**

Symbole am Gerät: .....	30
Symbole in der Bedienungsanweisung: .....	30

### **INHALT**

Inhalt .....	31
--------------	----

### **WAS IST WAS?**

Teile des Aggregats .....	32
---------------------------	----

### **SICHERHEITSVORSCHRIFTEN**

Maßnahmen vor dem Einsatz eines neuen Aggregats	33
Persönliche Schutzausrüstung .....	33
Sicherheitsausrüstung des Gerätes .....	34
Allgemeine Sicherheitsvorschriften .....	35
Allgemeine Arbeitsvorschriften .....	35

### **VORSTELLUNG**

PP 440 HF .....	36
-----------------	----

### **MONTAGE**

Ausrüstung montieren bzw. installieren .....	37
--	----

### **EINSTELLUNGEN UND JUSTIERUNGEN**

Startmenü .....	38
Betriebsmenü .....	38

### **STARTEN UND STOPPEN**

Vor dem Start .....	39
Starten .....	39
Stoppen .....	40
Nach Abschluss der Arbeiten .....	40

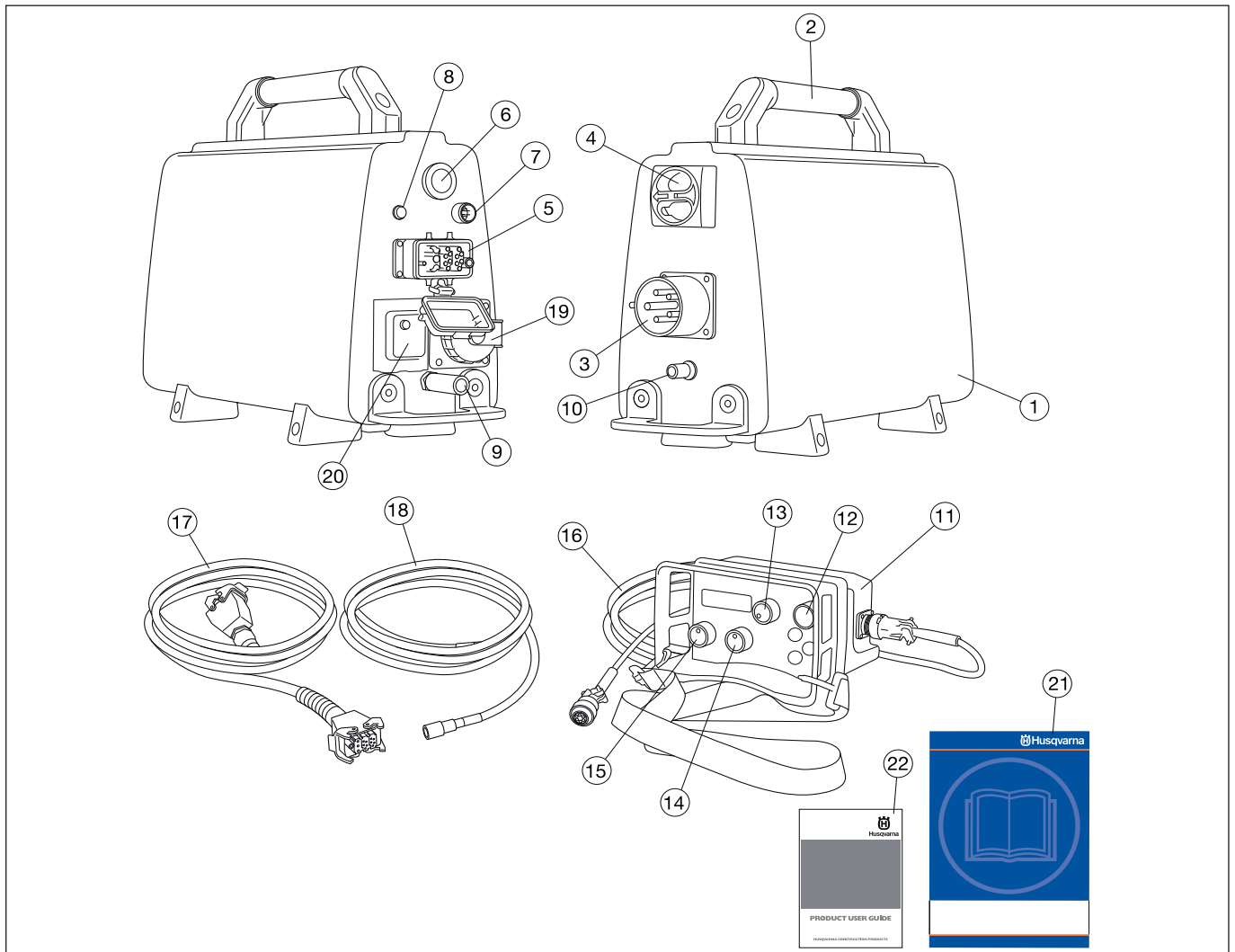
### **WARTUNG**

Service .....	41
Tägliche Wartung .....	41

### **TECHNISCHE DATEN**

PP 440 HF .....	42
EG-Konformitätserklärung .....	43

# WAS IST WAS?



## Teile des Aggregats

- |                             |  |
|-----------------------------|--|
| 1 Aggregat                  | 12 Startknopf                                |
| 2 Handgriff                 | 13 Klingenrotation und Kühlwasserstart       |
| 3 Steckdose                 | 14 Längsvorschub                             |
| 4 Hauptschalter             | 15 Tiefenvorschub                            |
| 5 Kabelanschluss            | 16 CANbus-Kabel                              |
| 6 Nothalt                   | 17 Stromkabel                                |
| 7 CANbus-Anschluss          | 18 Wasserschlauch                            |
| 8 Stromanzeige              | 19 Einphasen-Steckdose - nur 5-polige Geräte |
| 9 Wasseranschluss, Auslass  | 20 FI-Schutzschalter - nur 5-polige Geräte   |
| 10 Wasseranschluss, Einlass | 21 Bedienungsanweisung                       |
| 11 Fernsteuerung            |  |



# SICHERHEITSVORSCHRIFTEN

## Maßnahmen vor dem Einsatz eines neuen Aggregats

- Lesen Sie die Bedienungsanweisung sorgfältig durch und machen Sie sich mit dem Inhalt vertraut, bevor Sie das Gerät benutzen.
- Diese Maschine darf nur zusammen mit Husqvarna WS 440 HF verwendet werden. Alle anderen Einsätze sind unzulässig.
- Das Handbuch der Wandsäge lesen, ehe Sie mit der Nutzung des Hydraulikaggregats beginnen.
- Das Gerät kann schwere Verletzungen verursachen. Die Sicherheitsvorschriften gründlich durchlesen. Lernen Sie, wie das Gerät anzuwenden ist.

## Stets mit gesundem Menschenverstand arbeiten!

Es ist unmöglich, alle denkbaren Situationen abzudecken, die beim Gebrauch des Geräts auftreten könnten. Gehen Sie stets mit Vorsicht und Vernunft vor. Vermeiden Sie Situationen, für die Sie sich nicht ausreichend qualifiziert fühlen. Falls Sie sich auch nach dem Lesen dieser Anweisungen nicht über die richtige Vorgehensweise im Klaren sind, sollten Sie einen Fachmann zu Rate ziehen, bevor Sie fortfahren.

Sie können sich jederzeit an Ihren Händler wenden, wenn Sie Fragen zur Verwendung der Maschine haben. Wir beraten Sie gerne dabei, wie Sie Ihre Maschine besser und sicherer einsetzen können.

Lassen Sie die Maschine regelmäßig von Ihrem Husqvarna-Händler überprüfen und notwendige Einstellungen und Reparaturen vornehmen.

Alle Informationen und Daten dieser Bedienungsanleitung galten zum Zeitpunkt der Drucklegung.



**WARNUNG! Ohne Genehmigung des Herstellers dürfen an der Maschine unter keinen Umständen Konstruktionsänderungen vorgenommen werden. Stets Originalzubehör verwenden. Unzulässige Änderungen und/oder Zubehörteile können zu schweren Verletzungen oder tödlichen Unfällen von Anwendern oder anderen Personen führen.**

## Persönliche Schutzausrüstung

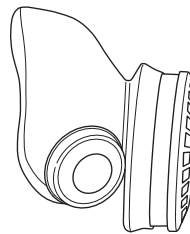


**WARNUNG! Bei der Benutzung des Gerätes muss die vorgeschriebene persönliche Schutzausrüstung angewendet werden. Die persönliche Schutzausrüstung beseitigt nicht die Unfallgefahr, begrenzt aber den Umfang der Verletzungen und Schäden. Bei der Wahl der Schutzausrüstung einen Fachhändler um Rat fragen.**

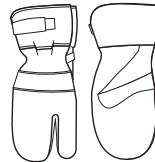
- Schutzhelm
- Gehörschutz
- Schutzbrille oder Visier



- Atemschutzmaske



- Feste, griffsichere Handschuhe.



- Eng anliegende, kräftige und bequeme Kleidung tragen, die volle Bewegungsfreiheit gewährt.



- Stiefel mit Stahlkappe und rutschfester Sohle.



- Ein Erste-Hilfe-Set soll immer griffbereit sein.



# SICHERHEITSVORSCHRIFTEN

## Sicherheitsausrüstung des Gerätes



In diesem Abschnitt werden einzelnen Teile der Sicherheitsausrüstung des Gerätes beschrieben, welche Funktion sie haben und wie ihre Kontrolle und Wartung ausgeführt werden sollen, um sicherzustellen, dass sie funktionsfähig sind. (Siehe Kapitel Was ist was? um herauszufinden, wo die Sicherheitsdetails an Ihrem Gerät zu finden sind).

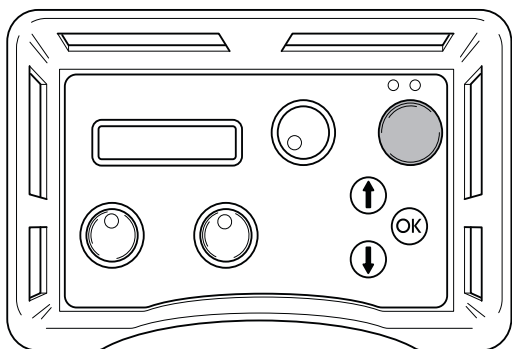


**WARNUNG! Benutzen Sie nie ein Gerät mit defekter Sicherheitsausrüstung. Die Sicherheitsausrüstung des Gerätes muss so kontrolliert und gewartet werden, wie dies in diesem Abschnitt beschrieben wird. Wenn Ihr Gerät den Kontrollanforderungen nicht entspricht, muss eine Servicewerkstatt aufgesucht werden.**

**WICHTIG! Service und Reparatur des Gerätes erfordern eine Spezialausbildung. Dies gilt besonders für die Sicherheitsausrüstung des Gerätes. Wenn Ihr Gerät den unten aufgeführten Kontrollanforderungen nicht entspricht, müssen Sie Ihre Servicewerkstatt aufsuchen. Beim Kauf eines unserer Produkte wird gewährleistet, dass Reparatur- oder Servicearbeiten fachmännisch ausgeführt werden. Sollte der Verkäufer Ihres Gerätes nicht an unser Fachhändler-Service-Netz angeschlossen sein, fragen Sie nach unserer nächstgelegenen Servicewerkstatt.**

## Startknopf

Der Startknopf muss gedrückt und gehalten werden, um die Drehung der Trennscheibe zu starten. Dies soll unbeabsichtigtes Starten der Trennscheibe verhindern.



## Prüfen des Startknopfes

- Regler für die Drehung der Trennscheibe drehen, ohne den Startknopf zu drücken und zu halten.

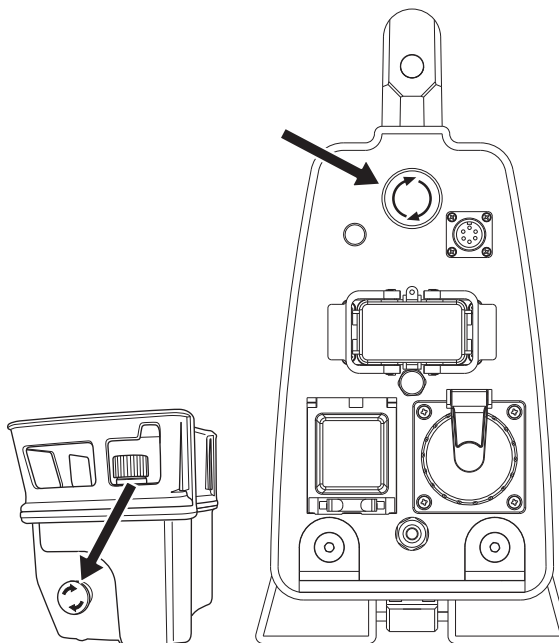
Die Drehung der Trennscheibe darf nicht starten.

- Startknopf drücken und halten und Regler für Drehung der Trennscheibe drehen.

Jetzt muss die Drehung der Trennscheibe starten.

## Not-Aus- und Stopp-Taste

Das Aggregat verfügt über einen Not-Aus und die Fernsteuerung mit Stopp-Taste. Diese werden verwendet, um das Aggregat schnell abschalten zu können.

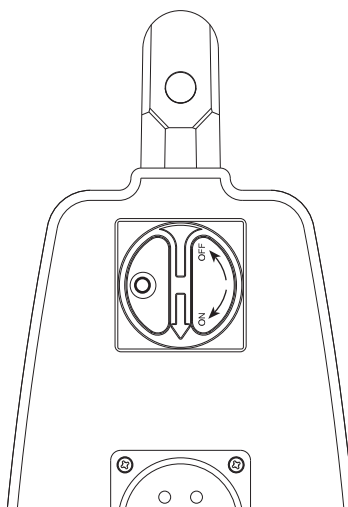


## Not-Aus- und Stopp-Taste prüfen

- Die Drehung der Trennscheibe starten.
- Not-Aus am Aggregat drücken und sicherstellen, dass die Drehung der Trennscheibe stoppt. Die Stopp-Taste auf der Fernsteuerung auf gleiche Weise prüfen.

## Hauptschalter

Mit dem Hauptschalter wird die Stromversorgung zum Aggregat ein- und ausgeschaltet. Der Hauptschalter muss in der Position „0“ stehen, wenn das Eingangskabel angeschlossen ist.



## Kontrolle des Netzschalters

- Den Hauptschalter in die Position „0“ drehen.
- Versuchen, die Säge zu starten.  
Die Säge darf nicht starten.

# SICHERHEITSVORSCHRIFTEN

## Allgemeine Sicherheitsvorschriften

Lesen Sie vor der Inbetriebnahme der Maschine diese Bedienungsanleitung aufmerksam durch und machen Sie sich mit dem Inhalt vertraut.



**WARNUNG! An elektrisch betriebenen Geräten besteht stets die Gefahr von elektrischen Schlägen. Ungünstige Witterungsbedingungen sowie einen Körperkontakt mit Blitzableiter und metallischen Gegenständen vermeiden. Stets die Vorgaben in der Bedienungsanleitung befolgen, um Schäden auszuschließen.**

- Arbeiten Sie niemals mit dem Gerät, wenn Sie müde sind, Alkohol getrunken oder Medikamente eingenommen haben, da hierdurch Sehkraft, Urteilsvermögen oder Körperkontrolle beeinträchtigt werden können.
- Tragen Sie persönliche Schutzausrüstung. Siehe die Anweisungen unter der Überschrift Persönliche Schutzausrüstung.
- Das Gerät niemals am Kabel tragen und niemals den Stecker am Kabel aus der Steckdose ziehen.
- Darauf achten, dass die Kabel nicht mit Wasser, Öl oder scharfen Kanten in Berührung kommen. Darauf achten, dass die Kabel nicht in Türen, Zäunen o. ä. eingeklemmt werden. Es besteht sonst die Gefahr, dass Gegenstände unter Strom gestellt werden.
- Kontrollieren, ob die Kabel intakt und in gutem Zustand sind.
- Das Gerät nicht benutzen, wenn ein Kabel beschädigt ist, sondern zur Reparatur in eine autorisierte Servicewerkstatt geben.
- Das Gerät muss an ein geerdete Steckdose angeschlossen werden.
- Kontrollieren, ob die Netzspannung mit der auf dem Geräteschild angegebenen übereinstimmt.
- Alle Teile in funktionstauglichem Zustand halten und dafür sorgen, dass alle Befestigungsteile sorgfältig festgezogen sind.
- Niemals mit einem defekten Gerät arbeiten. Die Wartungs-, Kontroll- und Serviceanweisungen in dieser Bedienungsanleitung sind sorgfältig zu befolgen. Gewisse Wartungs- und Servicemaßnahmen sind von geschulten, qualifizierten Fachleuten auszuführen. Siehe die Anweisungen unter der Überschrift Wartung.
- Nehmen Sie keinerlei Änderungen an den Sicherheitsvorrichtungen vor. Kontrollieren Sie regelmäßig deren einwandfreie Funktionsweise. Die Maschine darf nicht mit defekten Schutzvorrichtungen bzw. ohne eingebaute Schutzvorrichtungen betrieben werden.
- Lassen Sie niemals jemand anderen das Gerät benutzen, ohne sich zu vergewissern, dass die Person den Inhalt der Bedienungsanleitung verstanden hat.
- Menschen und Tiere können zu einer Ablenkung und damit zum Verlust der Kontrolle über das Gerät führen. Konzentration und Fokussierung auf die Aufgabe sind daher stets erforderlich.
- Bedenken, dass Kleidung, langes Haar und Schmuck in beweglichen Teilen hängen bleiben können.
- Vorsicht beim Heben. Schweres Gerät bedeutet Klemmgefahr und Gefahr für andere Verletzungen.

## Transport und Aufbewahrung

- Vor dem Bewegen des Geräts stets den Hauptschalter für das Aggregat ausschalten und das Stromkabel rausziehen.

- Bewahren Sie das Gerät für Kinder und Unbefugte unzugänglich in einem abschließbaren Raum auf.
- Falls Frostgefahr besteht, muss restliches Kühlwasser aus dem Gerät abgelassen werden.
- Zur Lagerung der Ausrüstung die mitgelieferten Kästen verwenden.

## Allgemeine Arbeitsvorschriften

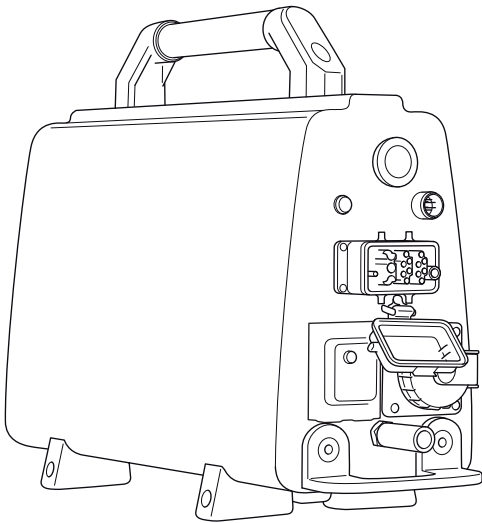


**WARNUNG! Dieser Abschnitt behandelt grundlegende Sicherheitsregeln für die Arbeit mit dem Gerät. Die angegebene Information kann niemals das Wissen ersetzen, das ein professioneller Anwender durch seine Ausbildung und praktische Erfahrung besitzt. Wenn Sie in eine Situation kommen, die Sie in Bezug auf die weitere Anwendung des Geräts verunsichert, lassen Sie sich von einem Experten beraten. Fragen Sie Ihren Fachhändler, Ihre Servicewerkstatt oder einen erfahrenen Anwender. Vermeiden Sie, Arbeiten auszuführen, denen Sie sich nicht gewachsen fühlen!**

- Sämtliche Bediener müssen für die Benutzung der Maschine ausgebildet sein. Die Verantwortung für die erforderliche Ausbildung liegt beim Eigentümer.
- Darauf achten, dass alle Kupplungen, Verbindungen und Kabel sauber und intakt sind.
- Vor dem Starten des Geräts alle Kabelverbindungen und den Anschluss der Wasserversorgung prüfen.
- Vor dem Rausziehen des Stromkabels immer zuerst das Aggregat ausschalten und warten, bis das Gerät vollständig zum Stillstand gekommen ist.
- Falls dennoch eine Notsituation auftreten sollte, drücken Sie die rote Not-Aus-Taste am Aggregat oder die Stopp-Taste auf der Fernsteuerung.
- Den Arbeitsbereich stets auf das Vorhandensein von Gasleitungen überprüfen und deren Verlauf kennzeichnen. Das Schneiden in der Nähe von Gasleitungen stellt eine potenzielle Gefahrensituation dar. Funkenbildung beim Schneiden vermeiden, andernfalls besteht Explosionsgefahr. Konzentrieren Sie sich voll auf Ihre Arbeitsaufgabe. Unachtsamkeit kann zu schweren Verletzungen bis hin zum Tod führen.
- Stellen Sie sicher, dass innerhalb des Arbeitsbereichs keine Rohre oder elektrischen Leitungen verlegt sind.
- Sicherstellen, dass die Stromkabel im Arbeitsbereich nicht stromführend sind.
- Niemals die Maschine unbeaufsichtigt mit laufendem Motor stehen lassen.
- Stets so arbeiten, dass der Nothalt schnell und einfach zu erreichen ist.
- Beim Arbeiten mit den Maschinen muss stets eine weitere Person anwesend sein, die bei Unfällen Hilfestellung leisten kann.
- Vermeiden Sie es, das Gerät bei schlechtem Wetter zu benutzen. Z.B. bei dichtem Nebel, Regen oder Wind, großer Kälte usw. Das Arbeiten bei schlechtem Wetter ist sehr ermüdend und kann gefährliche Umstände herbeiführen, z. B. Rutschgefahr.
- Sorgen Sie dafür, daß der Arbeitsbereich ausreichend beleuchtet ist, damit Sie sicher arbeiten können.
- Sorgen Sie immer dafür, dass Sie bei der Arbeit fest und sicher stehen.
- Vorsicht beim Heben. Schweres Gerät bedeutet Klemmgefahr und Gefahr für andere Verletzungen.

# VORSTELLUNG

## PP 440 HF



Wir hoffen, dass Sie mit Ihrer Maschine über lange Jahre zufrieden sein werden. Denken Sie daran, diese Bedienungsanleitung sicher aufzubewahren. Die genaue Befolgung ihres Inhalts (Verwendung, Service, Wartung usw.) verlängert die Lebensdauer der Maschine erheblich und erhöht zudem ihren Wiederverkaufswert. Sollten Sie Ihre Maschine verkaufen, händigen Sie dem neuen Besitzer bitte auch die Bedienungsanleitung aus.

Mit dem Erwerb unserer Produkte erhalten Sie professionelle Hilfe bei Reparaturen und Service. Haben Sie das Gerät nicht bei einem unserer Vertragshändler gekauft, fragen Sie dort nach der nächsten Servicewerkstatt.

Husqvarna Construction Products ist stets bestrebt, die Konstruktion der Produkte zu verbessern. Husqvarna behält sich daher das Recht vor, ohne vorherige Ankündigung und ohne weitere Verpflichtungen Konstruktionsänderungen einzuführen.

## Allgemeines

- PP 440 ist ein Aggregat, das speziell für die Verwendung mit der elektrischen Wandsäge WS 440 HF entwickelt worden ist.
- Es hat eine kompakte Bauweise und wiegt nur 18 kg.
- Verwenden Sie 32 A für ein 400-V-System bei voller Leistung.
- Das Aggregat wird mit nur einem Stromkabel an die Säge angeschlossen.
- Ausgestattet mit 230-V-Steckdose und einer Klemme für CANbus-Kabel.
- Ausgestattet mit einem elektrischen Wasserventil, das über die Fernsteuerung gesteuert wird.
- Über die Fernsteuerung erhält der Bediener Informationen zur Leistungsausgabe, kann die Zeit und andere Dinge zum Sägevorgang messen. Die Fernsteuerung ermöglicht ebenfalls unbehinderte Bewegung am Arbeitsplatz.

## Der Lieferumfang von PP 440 HF umfasst folgende Bestandteile:

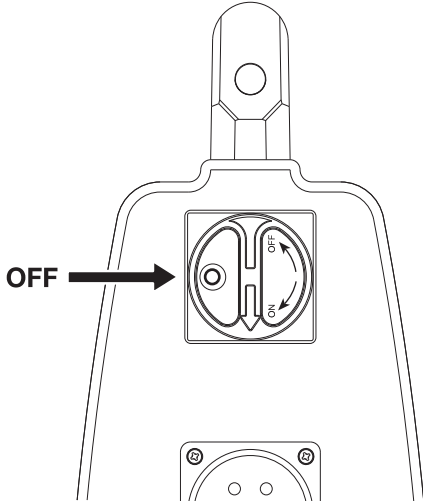
- 1 Aggregat
- 1 Fernsteuerung
- 1 Stromkabel
- 1 Canbus-Kabel
- 1 Wasserschlauch
- Transportkisten für reibungslosen Transport

# MONTAGE

## Ausrüstung montieren bzw. installieren

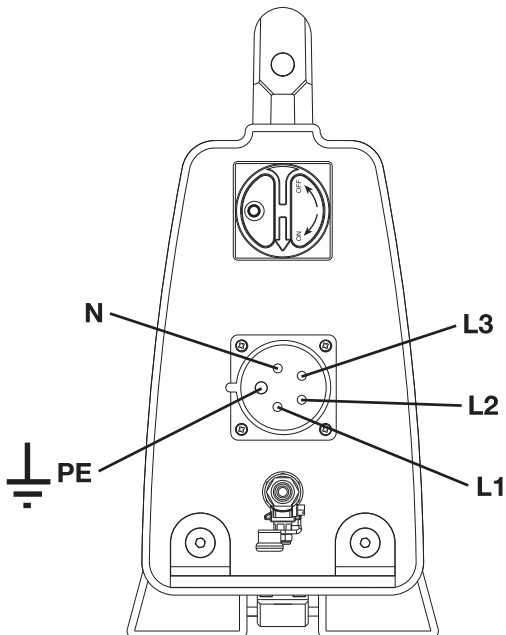
Nachdem die Maschine an eine geeignete Position transportiert wurde, ist sie anzuschließen:

- Den Hauptschalter in die Position „0“ drehen.



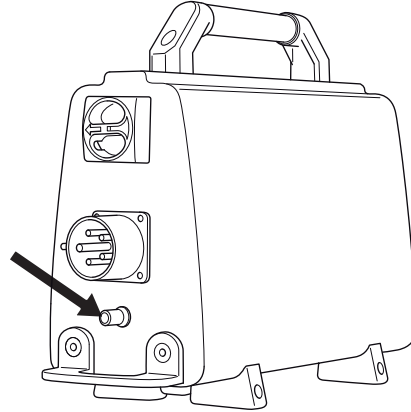
- Das Stromversorgungskabel anschließen (380-480 V, 32-A-Europastecker). Aggregate mit einer Einphasen-Steckdose (230 V) müssen ebenfalls einen Neutraleiter haben, damit die Steckdose funktioniert. Selbst wenn kein Neutraleiter vorhanden ist, funktioniert das Netzteil.

Um den vollen Leistungsausgang nutzen zu können, muss das Aggregat an eine 32-A-Sicherung angeschlossen werden. Bei einer 16-A- oder 25-A-Sicherung ist der Leistungsausgang niedriger, um die Sicherung nicht zu überlasten. Dies wird beim Starten des Aggregats ausgewählt.

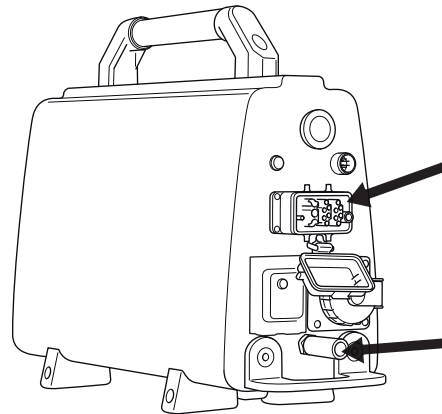


- Wasserschlauch an den Wassereinlassanschluss anschließen.

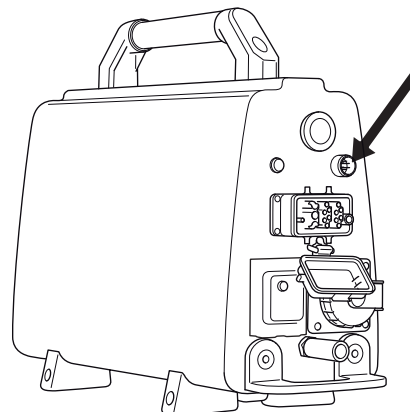
Das Aggregat verfügt über ein elektrisches Wasserventil, das geschlossen ist, wenn das Aggregat aktiviert wird. Wenn das Aggregat ohne Strom ist, ist das Ventil offen, um Kühlwasser ablassen zu können, wenn Frostgefahr besteht.



- Mitgeliefertes Stromkabel und Wasserschlauch vom Aggregat an die Schneideinheit anschließen.



- Schließen Sie die Fernsteuerung mithilfe des beiliegenden Canbus-Kabels an. Schrauben Sie den Kabelanschluss per Hand an.



# EINSTELLUNGEN UND JUSTIERUNGEN

## Startmenü

Das Startmenü wird bei jedem Einschalten der Spannung zum Aggregat angezeigt. In diesem Menü muss der Benutzer die Sicherung auswählen.

Die Fernsteuerung zeigt „SICHERUNG WÄHLEN“ an.

Ist eine 32-A-Sicherung verfügbar, wird dies durch Drücken der Membrantaste „OK“ bestätigt. Wenn keine 32-A-Sicherung zur Verfügung steht, können Sie stattdessen durch Drücken des Pfeils nach unten 25 oder 16 A auswählen. Das Display zeigt jetzt „SICHERUNG WÄHLEN“ 25 A oder 16 A. OK drücken, um die Wahl zu bestätigen.

Das Display zeigt jetzt „HUSQVARNA PP-440 HF START DRÜCKEN“.

## Betriebsmenü

So lange das Aggregat Spannung hat, aber die Trennscheibe still steht, zeigt das Display „Husqvarna PP-440 HF START DRÜCKEN“.

Vor dem Start müssen alle Bedienelemente in die Nullstellung gedreht werden. Wenn dies nicht geschieht, fordert eine Meldung im Display hierzu auf, wenn der Startknopf gedrückt wird. „AUSSCHALTEN LÄNGENVORSCHUB“ oder „AUSSCHALTEN EINSCHUB“ oder „AUSSCHALTEN KLINGE“.

Wenn die Drehung der Trennscheibe gestartet wird, wird „XX U/MIN/ B. YY mm ZZ% U/MIN“ angezeigt. Dabei steht XX für die Anzahl von Umdrehungen, B für die Trennscheibe, YY für die empfohlene Trennscheibengröße und ZZ der Leistungsausgang in Prozent der max. Leistung.

Durch Navigieren mit den Pfeiltasten können die folgenden Einstellungen erreicht werden.

- Kühlwasser
- Select language
- ID Aggregat
- Zeitmessung
- Masch.zeit ges.
- Drehrichtung

## Kühlwasser

Modus „AUTO“ oder „ON“ wählen. Bei Auswahl von „AUTO“ wird die Wasserkühlung aktiviert, wenn sich die Trennscheibe zu drehen beginnt. Bei Auswahl von „ON“ ist das Wasserventil stets geöffnet. Mithilfe des Wasserhahns kann das Wasser manuell abgedreht werden. Die Standardeinstellung zu Beginn ist „AUTO“. Der ausgewählte Modus wird im Display angezeigt. Modus durch Drücken von „OK“ ändern.

## Select language

Über dieses Untermenü kann die im Display zu verwendende Sprache eingestellt werden.

Mit den Pfeiltasten bis zur gewünschten Sprache blättern. Bestätigen Sie mit „OK“.

## ID Aggregat

Das Display zeigt die Identifizierungsnummer für das Aggregat.

## Zeitmessung

Die Funktion wird verwendet, um die Zeit für eine bestimmte Arbeit zu messen. Die Zeitmessung beginnt mit dem Starten der Säge.

Wählen:

- EIN zum Einschalten.
- AUS zum Ausschalten.
- ZEITMESSUNG NULLSTELLEN zum Zurückstellen.

Navigieren Sie mit den Pfeiltasten und bestätigen Sie mit „OK“.

## Masch.zeit ges.

Hier wird die Gesamtbetriebszeit des Aggregats angezeigt. Die Zeit wird in Stunden und Minuten (hhhh:mm) angezeigt.

## Drehrichtung

Hier können Sie die Drehrichtung der Trennscheibe einstellen. Wählen Sie Standard oder Rückwärts durch Drücken von „OK“.

# STARTEN UND STOPPEN

## Vor dem Start



Überprüfen Sie vor dem Starten der Säge:

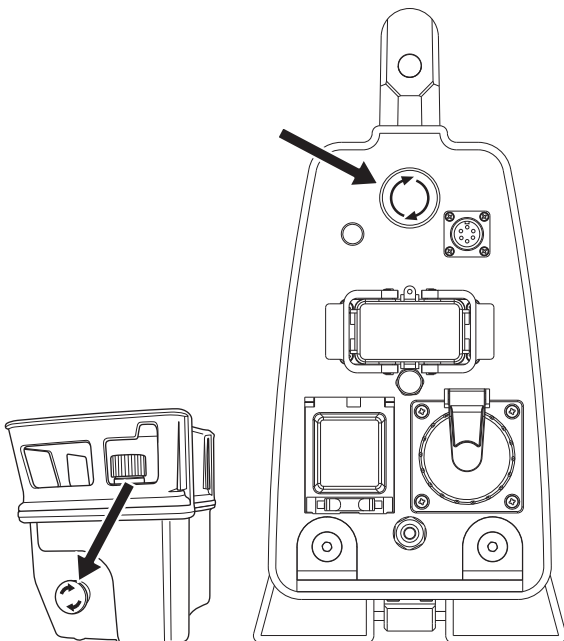
- Das Stromversorgungskabel ist mindestens an eine 16-A-Sicherung angeschlossen.
- Das Stromkabel ist an die Schneideinheit angeschlossen.
- Leistungsposition 32 A, 25 A bzw. 16 A ist gewählt.
- Alle Bedienelemente auf der Fernsteuerung sind in die Nullstellung gesetzt worden. Wenn dies nicht geschieht, fordert eine Meldung im Display hierzu auf, wenn der Startknopf gedrückt wird.
- Den zu schneidenden Bereich einzäunen, damit keine unbeteiligten Personen zu Schaden kommen oder den Bediener stören können.

**WICHTIG!** Eine Geschwindigkeit über dem empfohlenen Wert kann zu Verletzungen sowie Schäden an der Ausrüstung führen.

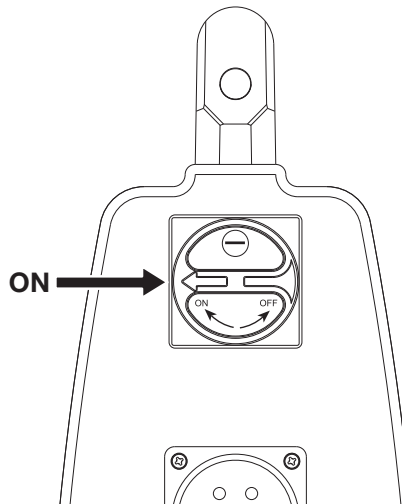
## Starten



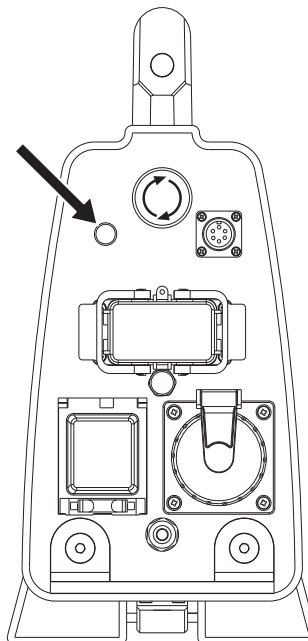
- Stellen Sie sicher, dass die Not-Aus-Taste am Aggregat und die Stopp-Taste auf der Fernsteuerung nicht gedrückt sind, indem Sie sie im Uhrzeigersinn drehen.



- Den Hauptschalter in Position „I“ drehen.



- Das Aggregat wird aktiviert und dies wird durch Leuchten der Kontrollleuchte angezeigt.



Das Wasserventil im Aggregat ist jetzt geschlossen. Dies Ventil öffnet sich wieder, wenn die Drehung der Trennscheibe gestartet wird.

- Die Fernsteuerung zeigt „SICHERUNG WÄHLEN“ an. Ist eine 32-A-Sicherung verfügbar, wird dies durch Drücken der Membrantaste „OK“ bestätigt.
- Wenn keine 32-A-Sicherung zur Verfügung steht, können Sie stattdessen durch Drücken des Pfeils nach unten 25 oder 16 A auswählen. Das Display zeigt jetzt „SICHERUNG WÄHLEN“ 25 A oder 16 A.

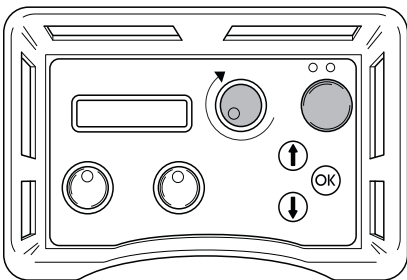
Bei einer 25-A-Sicherung können Sie ca. 70% der vollen Leistung nutzen. Bei 16 A können Sie ca. 50% der vollen Leistung nutzen. Die Funktion ist dazu bestimmt, eine so hohe Ausgangsleistung wie möglich zu erhalten, ohne die Sicherung zu überlasten.

Die Ausgangsleistung für die ausgewählte Sicherung wird im Display prozentual angezeigt.

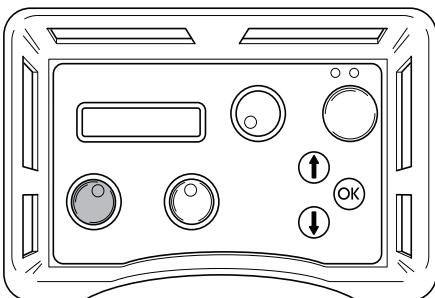
- OK drücken, um die Wahl zu bestätigen.
- Das Display zeigt jetzt „HUSQVARNA PP-440 HF START DRÜCKEN“.

# STARTEN UND STOPPEN

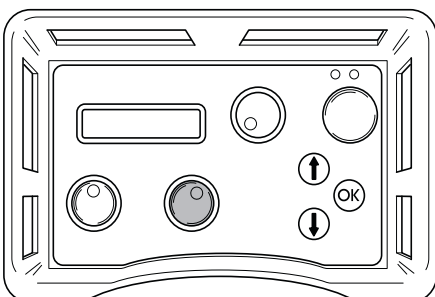
- Bei der Schneideinheit WS 440 HF ist die Drehrichtung der Trennscheibe einstellbar.  
Drücken Sie die Pfeiltaste nach oben auf der Membrantastatur der Fernsteuerung, um die Richtung auszuwählen. Das Display zeigt „SCHEIBENDREHUNG STANDARD“ oder „SCHEIBENDREHUNG RÜCKWÄRTS“. Zur Änderung der aktuellen Auswahl „OK“ drücken. Dies darf nur geschehen, wenn sich die Trennscheibe nicht bewegt.
- Die Drehung der Trennscheibe durch Drücken und Halten des grünen Startknopfes starten und gleichzeitig den Regler für die Drehrichtung im Uhrzeigersinn drehen. Es kann zu einer Verzögerung von 3 Sekunden kommen, bevor sich die Trennscheibe zu drehen beginnt. Der Countdown kann im Display verfolgt werden. Die Verzögerung dient zur Abkühlung des Aggregats, da es heiß werden kann, wenn es in Betrieb ist und kein Kühlwasser zirkuliert.



- Wenn der Modus „ON“ für das Kühlmittel (Wasser) ausgewählt ist, gibt es keine Verzögerung.
- Weitere Informationen zur Drehung der Trennscheibe und geeignete Trennscheiben für verschiedene Umdrehungsgeschwindigkeiten finden Sie in der Tabelle in den technischen Daten.
- Die Wasserkühlung startet automatisch, wenn der Knopf für das Drehen der Trennscheibe von seiner Anfangsposition verschieden ist. Die Wasserströmung wird mit dem Kugelhahn am Wassereinlassanschluss am Aggregat eingestellt.
- Durch Drehen des Vorschubrads an der Fernsteuerung in der gewünschten Richtung den Vorschub starten.



- Den Längenvorschub der Schneideinheit durch Drehen des Reglers für den Längenvorschub in die gewünschte Richtung starten.

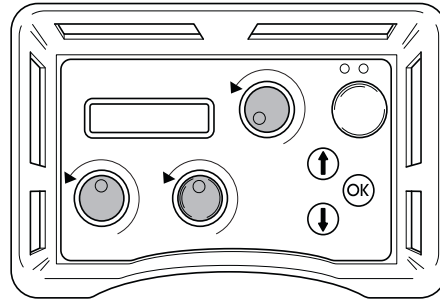


- Weitere Anweisungen zum Sägeverfahren finden Sie in der Anleitung im Lieferumfang der Wandsäge.

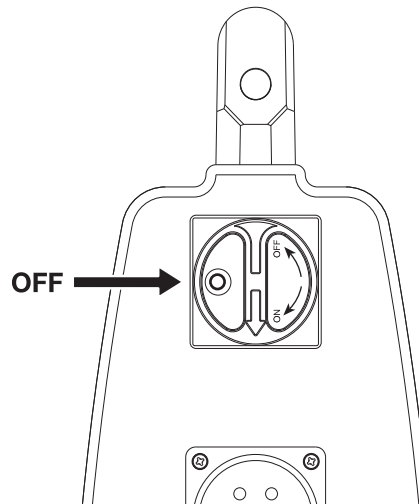
## Stoppen



- Zum Ausschalten der Drehung der Trennscheibe den Regler für die Drehung der Trennscheibe wieder gegen den Uhrzeigersinn in seine Nullstellung drehen. Auch die Regler für den Einschub und den Längenvorschub in ihre Nullstellung zurückdrehen.



- Den Hauptschalter am Aggregat in die Position „0“ drehen.



## Nach Abschluss der Arbeiten

### Ausrüstung demontieren

- Ankommendes Stromkabel und Wassereinlassschlauch trennen.
- Stromkabel und Wasserschlauch zwischen dem Aggregat und der Schneideinheit trennen.
- Falls Frostgefahr besteht, muss restliches Kühlwasser aus dem Gerät abgelassen werden.

### Reinigung



Darauf achten, die Anschlüsse und Kontakte sauber zu halten. Mit einem Lappen oder Pinsel reinigen.

Das Aggregat nicht mit einem Hochdruckreiniger reinigen.



# WARTUNG

## Service



**WICHTIG!** Sämtliche Reparaturen dürfen nur von autorisiertem Reparaturpersonal ausgeführt werden. Diese Vorschrift soll verhindern, dass der Bediener großen Gefahren ausgesetzt wird.

Nach 100 Betriebsstunden wird eine Servicemeldung angezeigt. In diesem Fall muss die gesamte Ausrüstung zu einem autorisierten Husqvarna-Händler zur Inspektion gebracht werden.

## Fehlermeldungen

Im Fall von Defekten wird eine Fehlermeldung im Display eingeblendet. Folgen Sie den Hinweisen oder wenden Sie sich an einen autorisierten Händler.

Fehlermeldung	Ursache	Maßnahme
MOTOR OVERHEATED (MOTOR ÜBERHITZT)	Fehlende/unzureichende Kühlwasserversorgung zum Sägemotor.	Sicherstellen, dass Kühlwasser zum Sägemotor fließt und dass es max. 25 °C hat und mit min. 3,5 l/min fließt.
POWER OVERHEATED (AGGREGAT ÜBERHITZT)	Fehlende/unzureichende Kühlwasserversorgung zum Aggregat.	Sicherstellen, dass Kühlwasser zum Aggregat fließt und dass es max. 25 °C hat und mit min. 3,5 l/min fließt. Wenn diese Meldung zu Beginn der Drehung der Trennscheibe erscheint, zum Funktionsmenü wechseln und für „Water coolant“ den Modus „On“ auswählen. Kühlmittel (Wasser) eine Minute lang im Aggregat zirkulieren lassen, bevor die Drehung der Trennscheibe erneut gestartet wird.
LOW VOLTAGE (NIEDRIGE SPANNUNG)	Niedrige Spannungsversorgung zum Aggregat.	Spannung während des Betriebs überprüfen. Sicherstellen, dass alle drei Phasen vorliegen. Sicherstellen, dass Anschlusskabel einen ausreichenden Querschnitt haben.
HIGH VOLTAGE (HOCHSPANNUNG)	Hochspannung zum Aggregat.	Spannung während des Betriebs überprüfen. Diese Meldung wird vorwiegend gezeigt, wenn ein Generator als Stromquelle verwendet wird.
OVER CURRENT (ÜBERSTROM)	Überstrom zum Sägemotor.	Sicherstellen, dass das Stromkabel richtig befestigt ist und keine Schäden aufweist. Die Meldung kann bei einem losen Kontakt erscheinen.
H SENSOR TRAVEL (H-SENSOR-HUB)	Fehler an HAL-Sensorkarte für Längenvorschub.	Gerät zu einer autorisierten Servicewerkstatt bringen.
H SENSOR DEPTH (H-SENSOR-TIEFE)	Fehler an HAL-Sensorkarte für Einschub.	Gerät zu einer autorisierten Servicewerkstatt bringen.
NO CONTACT CHECK CAN-CABLE (KEIN KONTAKT. CAN-KABEL PRÜFEN)	Kein Kontakt zwischen Aggregat und Fernsteuerung.	CANbus-Kabel austauschen.

## Tägliche Wartung



Folgende Punkte sind routinemäßig zu kontrollieren:

- Treten ungewöhnliche Geräusche auf?
- Darauf achten, die Anschlüsse und Kontakte sauber zu halten. Mit einem Lappen oder Pinsel reinigen.
- Das Aggregat nicht mit einem Hochdruckreiniger reinigen.

# TECHNISCHE DATEN

## PP 440 HF

Max. Leistung, kW	15
Nennstrom, A	32
Eingangsspannung, V	380-480 V, 50-60 Hz
Ausgangsspannung, V	340 V, 0-500 Hz
Sek. Ausgangsspannung, V	24 V, 0-1500 Hz
Stromanschluss	3P+PE (4-pin) / 3P+N+PE (5-pin)
1 x 230-V-Einphasensteckdose	Nur 5-polige Geräte

### Einsatz des Generators - min., kVA

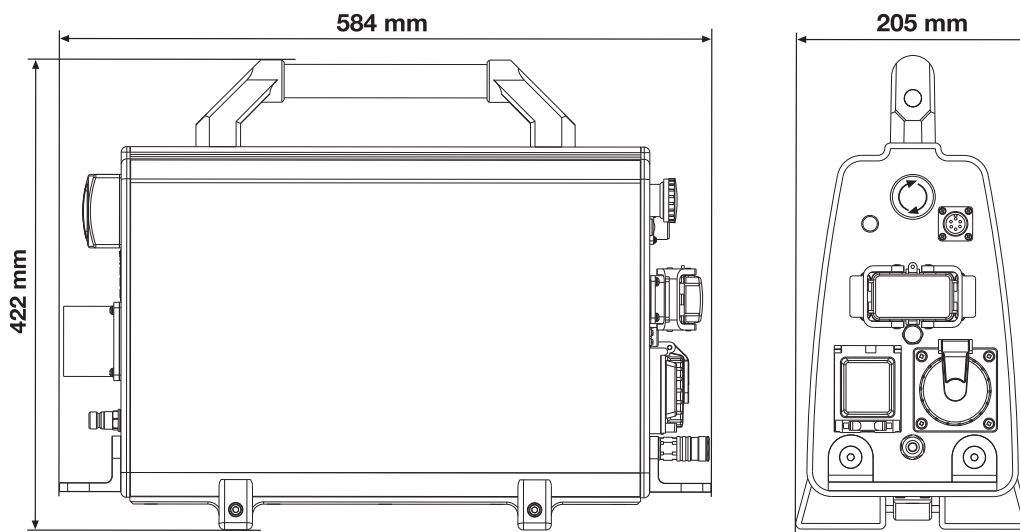
400V, 16A	12
400V, 25A	20
400V, 32A	24

Gewicht, kg 18

Max. Kühlwassertemperatur bei 3,5 l/min, °C 25

Max. Kühlwasserdruck, bar 7

## Maße



# TECHNISCHE DATEN

## Klinge

### Empf. Drehzahl der Trennscheibe



**WARNUNG! Das Schneiden bei zu hoher Drehzahl kann zu Schäden an der Trennscheibe und zu Personenschaden führen.**

Bei Auswahl der Trennscheibe hinsichtlich des Materials und der Drehzahl der Trennscheibe die Empfehlungen des Herstellers beachten. Beim Schneiden in harten Beton sollte eine Trennscheibe mit geringerer Drehzahl verwendet werden.

	600 mm (24")	800 mm (32")	1000 mm (40")	1200 mm (48")
600 U/min				
700 U/min				
800 U/min				
900 U/min				
1000 U/min				
1100 U/min				
1200 U/min				

Beton	
	Hart
	Mittel
	Weich

Bei Auswahl der Trennscheibe hinsichtlich des Materials und der Drehzahl der Trennscheibe die Empfehlungen des Herstellers beachten.

Beim Schneiden in harten Beton sollte eine Trennscheibe mit geringerer Drehzahl verwendet werden.



**WARNUNG! Das Schneiden bei zu hoher Drehzahl kann zu Schäden an der Trennscheibe und zu Personenschaden führen.**

## EG-Konformitätserklärung

(nur für Europa)

**Husqvarna AB**, SE-433 81 Göteborg, Schweden, Tel: +46-31-949000, erklären hiermit unsere alleinige Haftung dafür, dass das Aggregat Modell **Husqvarna PP 440 HF**, auf das sich diese Erklärung bezieht, ab Seriennummern des Baujahrs 2010 (die Jahreszahl wird im Klartext auf dem Typenschild angegeben, mitsamt einer nachfolgenden Seriennummer) den Vorschriften folgender RICHTLINIE DES RATES entspricht:

- vom 17. Mai 2006 „Maschinen-Richtlinie“ **2006/42/EG**
- vom 15. Dezember 2004 "über elektromagnetische Verträglichkeit" **2004/108/EWG**.
- vom 12. Dezember 2006 „betreffend elektrische Betriebsmittel“ **2006/95/EG**.

Folgende Normen wurden angewendet: EN ISO 12100:2003, EN 55014-1:2006, EN 55014-2/A1:2001, EN 61000-3-11:2000, EN 60204-1:2006.

Göteborg, den 29. Dezember 2009

Henric Andersson

Vice President, Head of Power Cutters and Construction Equipment

Husqvarna AB

(Bevollmächtigter Vertreter für Husqvarna AB, verantwortlich für die technische Dokumentation.)

# EXPLICATION DES SYMBOLES

## Symboles sur la machine:

AVERTISSEMENT! La machine utilisée de manière imprudente ou inadéquate peut devenir un outil dangereux, pouvant causer des blessures graves voire mortelles à l'utilisateur et aux autres personnes présentes.



Lire attentivement et bien assimiler le manuel d'utilisation avant d'utiliser la machine.



Toujours utiliser:

- Casque de protection homologué
- Protecteurs d'oreilles homologués
- Lunettes protectrices ou visière
- Masque respiratoire



Ce produit est conforme aux directives CE en vigueur.



AVERTISSEMENT! Courant élevé.



**Marquage environnemental.** Ce symbole figurant sur le produit ou sur son emballage indique que ce produit ne peut pas être traité comme déchet ménager. Il doit être collecté et amené à une installation de récupération appropriée de déchets d'équipements électriques et électroniques.

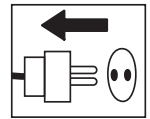


En veillant à ce que ce produit soit correctement éliminé, vous pouvez contribuer à prévenir les conséquences négatives potentielles sur l'environnement et les hommes, qui pourraient sinon être le résultat d'un traitement incorrect des déchets de ce produit.

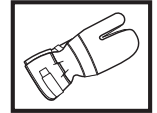
Pour des informations plus détaillées sur le recyclage de ce produit, contactez votre commune ou le magasin où vous avez acheté le produit.

## Symboles dans le manuel:

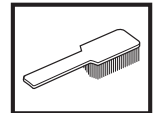
Les contrôles et/ou les entretiens doivent être effectués avec le moteur à l'arrêt et la prise électrique débranchée.



Toujours porter des gants de protection homologués.



Un nettoyage régulier est indispensable.



Examen visuel.



Porter des lunettes protectrices ou une visière.



---

# SOMMAIRE

---

## Sommaire

### EXPLICATION DES SYMBOLES

Symboles sur la machine: .....	44
Symboles dans le manuel: .....	44

### SOMMAIRE

Sommaire .....	45
----------------	----

### QUELS SONT LES COMPOSANTS?

Quoi est quoi dans le groupe moteur ? .....	46
---	----

### INSTRUCTIONS DE SÉCURITÉ

Avant d'utiliser un nouveau groupe moteur .....	47
Équipement de protection personnelle .....	47
Équipement de sécurité de la machine .....	48
Instructions générales de sécurité .....	49
Méthodes de travail .....	49

### PRÉSENTATION

PP 440 HF .....	50
-----------------	----

### MONTAGE

Montage/Installation de l'équipement .....	51
--	----

### RÉGLAGES

Menu de démarrage .....	52
Menu de fonctionnement .....	52

### DÉMARRAGE ET ARRÊT

Avant de démarrer la machine .....	53
Démarrage .....	53
Arrêt .....	54
Après le travail .....	54

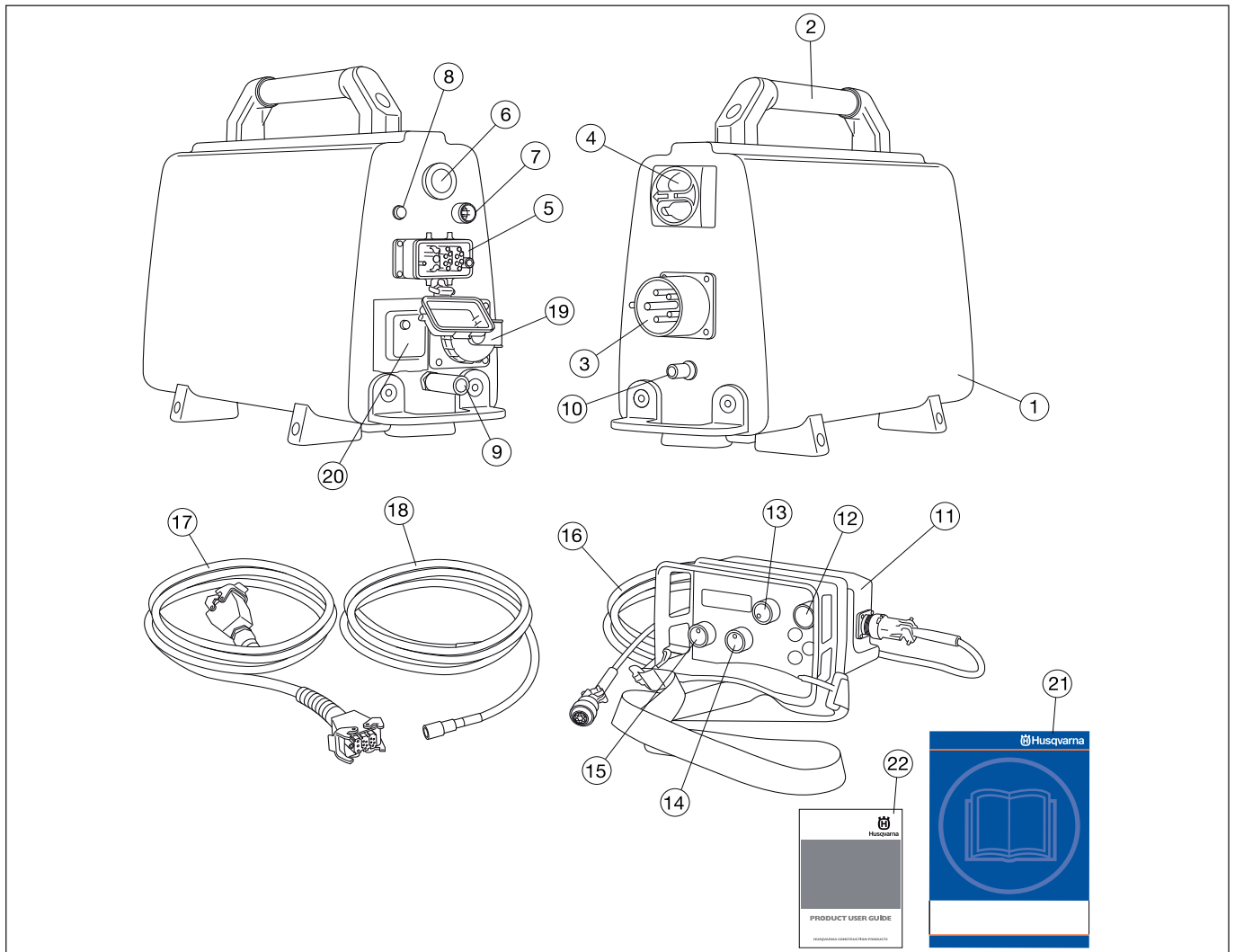
### ENTRETIEN

Service .....	55
Entretien quotidien .....	55

### CARACTÉRISTIQUES TECHNIQUES

PP 440 HF .....	56
Assurance de conformité UE .....	57

# QUELS SONT LES COMPOSANTS?



## Quoi est quoi dans le groupe moteur ?

- |                             |  |
|-----------------------------|--|
| 1 Groupe moteur             | 12 Bouton de démarrage   |
| 2 Poignée                   | 13 Rotation de la lame et démarrage de l'eau de refroidissement    |
| 3 Prise électrique          | 14 Alimentation en longueur  |
| 4 Interrupteur principal    | 15 Entrée  |
| 5 Branchement des câbles    | 16 Câble bus Can   |
| 6 Arrêt d'urgence           | 17 Câble électrique  |
| 7 Port bus Can              | 18 Flexible à eau  |
| 8 Indicateur de courant     | 19 Prise monophasée - Uniquement machines 5 broches                |
| 9 Raccord de l'eau, sortie  | 20 Disjoncteur de fuite à la terre - Uniquement machines 5 broches |
| 10 Raccord de l'eau, entrée | 21 Manuel d'utilisation  |
| 11 Commande à distance      |  |
|                             | 22   |

# INSTRUCTIONS DE SÉCURITÉ

## Avant d'utiliser un nouveau groupe moteur

- Lire attentivement et bien assimiler le manuel d'utilisation avant d'utiliser la machine.
- Cette machine est uniquement destinée à être utilisée avec Husqvarna WS 440 HF. Toute autre utilisation est interdite.
- Veuillez parcourir le manuel fourni avec la scie murale avant de commencer à utiliser le groupe hydraulique.
- La machine peut provoquer des blessures personnelles graves. Lire attentivement les consignes de sécurité. Apprendre à bien utiliser la machine.

## Utilisez toujours votre bon sens

Il est impossible de mentionner toutes les situations auxquelles vous pouvez être confronté. Soyez toujours vigilant et utilisez l'appareil avec bon sens. Évitez toutes les situations pour lesquelles vous ne vous estimez pas suffisamment qualifié. Si, après avoir lu ces instructions, vous ne vous sentez toujours pas à l'aise quant à la manière de procéder, il convient de consulter un expert avant de poursuivre.

N'hésitez pas à prendre contact avec votre revendeur si vous avez des questions sur l'utilisation de la machine. Nous sommes à votre disposition et vous conseillerons avec plaisir pour vous aider à utiliser votre machine en toute sécurité et de façon efficace.

Faites régulièrement contrôler la machine par votre revendeur Husqvarna afin qu'il procède aux installations et réparations adéquates.

Toutes les informations et toutes les données indiquées dans ce manuel d'utilisation étaient valables à la date à laquelle ce manuel a été porté à l'impression.



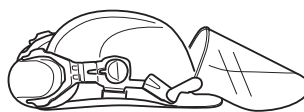
**AVERTISSEMENT! Ne jamais modifier, sous aucun prétexte, la construction initiale de la machine sans l'autorisation du fabricant. N'utiliser que des accessoires et des pièces d'origine. Toute modification non autorisée et/ou tout emploi d'accessoires non homologués peuvent provoquer des accidents graves voire mortels pour l'utilisateur et les autres.**

## Équipement de protection personnelle

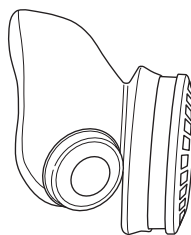


**AVERTISSEMENT! Un équipement de protection personnelle homologué doit impérativement être utilisé lors de tout travail avec la machine. L'équipement de protection personnelle n'élimine pas les risques mais réduit la gravité des blessures en cas d'accident. Demander conseil au concessionnaire afin de choisir un équipement adéquat.**

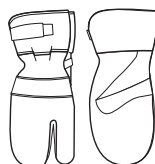
- Casque de protection
- Protecteur d'oreilles
- Lunettes protectrices ou visière



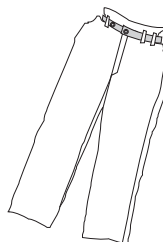
- Masque respiratoire



- Gants solides permettant une prise sûre.



- Vêtements confortables, robustes et serrés qui permettent une liberté totale de mouvement.



- Bottes avec coquille en acier et semelle antidérapante.



- Une trousse de premiers secours doit toujours être disponible.



# INSTRUCTIONS DE SÉCURITÉ

## Équipement de sécurité de la machine



Ce chapitre présente les équipements de sécurité de la machine, leur fonction, comment les utiliser et les maintenir en bon état. Voir au chapitre Quels sont les composants? pour trouver leur emplacement sur la machine.

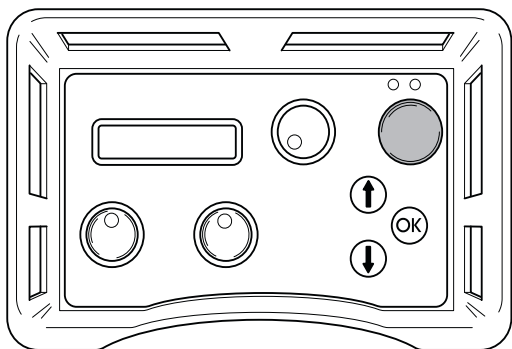


**AVERTISSEMENT! Ne jamais utiliser une machine dont les équipements de sécurité sont défectueux. Contrôler et entretenir les équipements de sécurité de la machine conformément aux instructions données dans ce chapitre. Si les contrôles ne donnent pas de résultat positif, confier la machine à un atelier spécialisé.**

**IMPORTANT!** L'entretien et la réparation de la machine exigent une formation spéciale. Ceci concerne particulièrement l'équipement de sécurité de la machine. Si les contrôles suivants ne donnent pas un résultat positif, s'adresser à un atelier spécialisé. L'achat de l'un de nos produits offre à l'acheteur la garantie d'un service et de réparations qualifiés. Si le point de vente n'assure pas ce service, s'adresser à l'atelier spécialisé le plus proche.

## Bouton de démarrage

Il convient d'appuyer sur le bouton de démarrage pendant un certain temps pour lancer la rotation de la lame. Ceci afin d'éviter tout démarrage non désiré de la rotation de la lame.



## Contrôle du bouton de démarrage

- Tourner le bouton de rotation de la lame sans appuyer sur le bouton de démarrage.

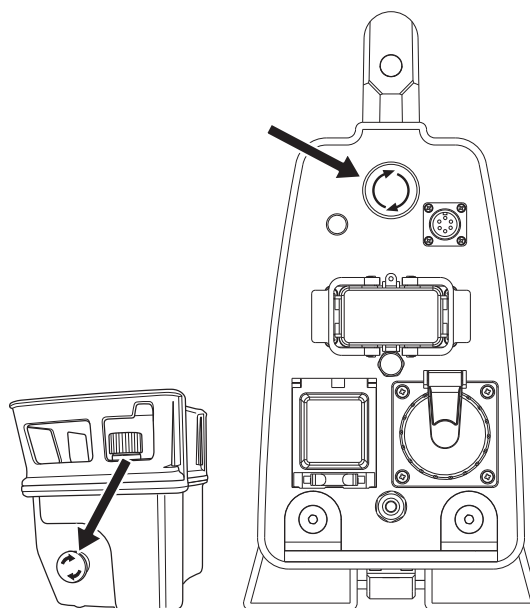
La rotation de la lame ne doit pas se lancer.

- Appuyer sur le bouton de démarrage pendant un certain temps et tourner le bouton de la rotation de lame.

Maintenant, la lame doit se mettre à tourner.

## Arrêt d'urgence et bouton d'arrêt

Le groupe moteur est équipé d'un arrêt d'urgence et la commande à distance, d'un bouton d'arrêt. Ils sont habituellement utilisés pour arrêter rapidement le groupe moteur.

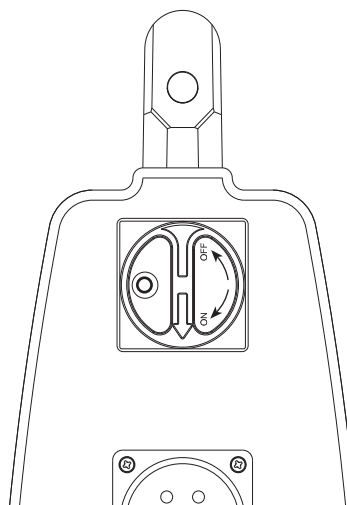


## Contrôle de l'arrêt d'urgence et du bouton d'arrêt

- Démarrez la rotation de la lame.
- Appuyer sur l'arrêt d'urgence sur le groupe moteur et vérifier si la lame s'arrête de tourner. Contrôler le bouton d'arrêt de la commande à distance de la même façon.

## Interrupteur principal

L'interrupteur principal est utilisé pour allumer et éteindre l'alimentation électrique du groupe moteur. L'interrupteur principal doit être en position "0" quand le câble d'alimentation est raccordé.



## Contrôle de l'interrupteur principal

- Mettre l'interrupteur principal en position "0".
- Essayer de démarrer la scie.  
La scie ne doit pas démarrer.



# INSTRUCTIONS DE SÉCURITÉ

## Instructions générales de sécurité

Ne pas utiliser la machine sans avoir lu et compris préalablement le présent manuel d'utilisation.



**AVERTISSEMENT! Il existe toujours un risque de choc avec les machines électriques. Évitez de travailler par mauvais temps ainsi que tout contact du corps avec du métal/un parafoudre. Suivez toujours les instructions du manuel d'utilisation pour éviter tout dommage.**

- Éviter d'utiliser la machine en cas de fatigue, d'absorption d'alcool ou de prise de médicaments susceptibles d'affecter l'acuité visuelle, le jugement ou la maîtrise du corps.
- Utiliser les équipements de protection personnelle. Voir au chapitre Équipement de protection personnelle.
- Ne jamais porter la machine par le câble et ne jamais débrancher la prise en tirant sur le câble.
- Tenez à l'écart et protégez tous les câbles de l'eau, de l'huile et de bords tranchants. Veillez à ce que le câble ne soit pas coincé dans des portes, des clôtures ou tout autre équipement similaire. Des objets pourraient alors être sous tension.
- Contrôlez que les câbles sont intacts et en bon état.
- Ne pas utiliser la machine si le câble est endommagé. Il convient dès lors de la confier à un atelier de réparation agréé.
- La machine doit être branchée à une prise de terre.
- Contrôler que la tension secteur est conforme aux indications sur la plaque de la machine.
- Assurez-vous que toutes les pièces sont en état de fonctionnement et que tous les éléments de fixation sont correctement serrés.
- Ne jamais utiliser une machine qui n'est pas en parfait état de marche. Suivre dans ce manuel d'utilisation les instructions de maintenance, de contrôle et d'entretien. Certaines mesures de maintenance et d'entretien doivent être confiées à un spécialiste dûment formé et qualifié. Voir au chapitre Entretien.
- Ne modifiez jamais les dispositifs de sécurité. Contrôlez régulièrement qu'ils fonctionnent correctement. La machine ne doit pas être utilisée si les dispositifs de sécurité sont défectueux ou ne sont pas montés.
- Ne jamais laisser d'autres personnes utiliser la machine sans s'être assuré au préalable que ces personnes ont bien compris le contenu du mode d'emploi.
- Des personnes ou des animaux peuvent détourner l'attention de l'opérateur et l'amener à perdre le contrôle de la machine. C'est pourquoi l'opérateur doit toujours être attentif et concentré sur son travail.
- Attention! Les habits, les cheveux longs et les bijoux peuvent se coincer dans les parties en mouvement.
- Faites preuve de prudence en cas de levage. Le maniement de pièces lourdes implique un risque de coincage ou autre blessure.

## Transport et rangement

- Veillez à toujours éteindre le groupe moteur et à débrancher le câble électrique avant de déplacer l'équipement.
- Stockez l'équipement dans un endroit verrouillé afin de le maintenir hors de portée des enfants et de toute personne incompétente.

- S'il y a un risque de gel, la machine doit être vidangée de toute eau de refroidissement restante.
- Utilisez les boîtes fournies pour le remisage de l'équipement.

## Méthodes de travail

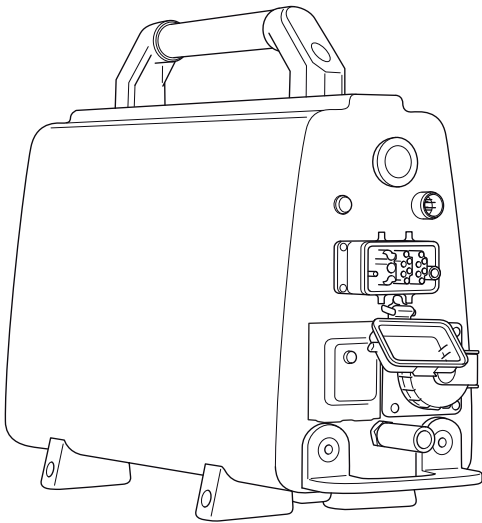


**AVERTISSEMENT! Le présent chapitre décrit les consignes de sécurité de base relatives à l'utilisation de la machine. Aucune de ces informations ne peut remplacer l'expérience et le savoir-faire d'un professionnel. Si vous êtes confronté à une situation où vous pensez ne pas être en sécurité, arrêtez immédiatement et consultez un spécialiste. Adressez-vous à votre revendeur, à l'atelier de réparation ou à un utilisateur chevronné de la découpeuse. Il convient d'éviter tous les travaux pour lesquels vous ne vous sentez pas suffisamment qualifié !**

- Tous les opérateurs doivent recevoir une formation sur l'utilisation de la machine. Il incombe au propriétaire de garantir que les opérateurs reçoivent une formation.
- Vérifiez que tous les couplages, raccordements et câbles sont intacts et qu'ils sont propres.
- Vérifiez que tous les câbles et l'arrivée d'eau sont correctement branchés sur la machine avant de la démarrer.
- Ne jamais débrancher le câble d'alimentation électrique sans avoir préalablement éteint le groupe moteur et attendu que le moteur s'arrête complètement.
- Si vous êtes confronté à une situation d'urgence, appuyez sur le bouton d'arrêt d'urgence rouge sur le groupe moteur ou sur le bouton d'arrêt de la commande à distance.
- Contrôlez toujours et marquez les emplacements des conduites de gaz. Scier près d'une conduite de gaz est toujours synonyme de danger. Veillez à éviter la formation d'étincelles lors du sciage en raison d'un certain risque d'explosion. L'opérateur doit toujours être attentif et concentré sur son travail. La négligence peut causer des blessures personnelles graves voire mortelles.
- S'assurer qu'il n'y a pas de tuyaux ou de câbles électriques qui traversent la zone de travail.
- Contrôlez que les câbles électriques présents dans la zone de travail ne sont pas sous tension.
- Ne laissez jamais la machine sans surveillance avec le moteur en marche.
- Ne sciez jamais d'une manière vous empêchant l'accès au bouton d'arrêt d'urgence.
- Lors de l'utilisation des machines, prévoyez toujours une personne à proximité afin de pouvoir obtenir de l'aide en cas d'accident.
- Ne pas travailler par mauvais temps: par exemple en cas de brouillard épais, de pluie, de vent violent, de froid intense, etc. Travailler par mauvais temps est fatiguant et peut créer des conditions de travail dangereuses telles que le verglas.
- S'assurer que l'éclairage de la zone de travail est suffisant pour que l'environnement de travail soit de toute sécurité.
- Toujours adopter une position de travail sûre et stable.
- Faites preuve de prudence en cas de levage. Le maniement de pièces lourdes implique un risque de coincage ou autre blessure.

# PRÉSENTATION

## PP 440 HF



Nous espérons que cette machine vous donnera toute satisfaction et qu'elle vous accompagnera pendant de longues années. N'oubliez pas que ce manuel d'utilisation est important. En suivant les instructions qu'il contient (utilisation, révision, entretien, etc.), il est possible d'allonger considérablement la durée de vie de la machine et d'augmenter sa valeur sur le marché de l'occasion. En cas de vente de la machine, ne pas oublier de remettre le manuel d'utilisation au nouveau propriétaire.

L'achat de l'un des nos produits garantit une assistance professionnelle pour l'entretien et les réparations. Si la machine n'a pas été achetée chez l'un de nos revendeurs autorisés, demandez l'adresse de l'atelier d'entretien le plus proche.

Husqvarna Construction Products travaille constamment à améliorer la construction de ses produits. Husqvarna se réserve donc le droit de procéder à des modifications de construction sans avis préalable et sans autres engagements.

## Généralités

- Le PP 440 est un groupe moteur spécialement conçu pour une utilisation avec la scie murale électrique WS 440 HF.
- Son design est compact et il ne pèse que 18 kg.
- Pour une pleine puissance, il convient d'utiliser 32 A pour un système 400 V.
- Le groupe moteur est raccordé à la scie à l'aide d'un seul câble électrique.
- Equipé d'une prise électrique de 230 V et d'un terminal pour câble bus Can.
- Equipé d'une valve d'eau électrique contrôlé depuis la commande à distance.
- Par le biais de la commande à distance, l'opérateur reçoit des informations sur la puissance de sortie, peut mesurer la durée et d'autres paramètres du processus de sciage. La commande à distance permet également de bouger librement autour de l'espace de travail.

## PP 440 HF est livré avec les équipements suivants :

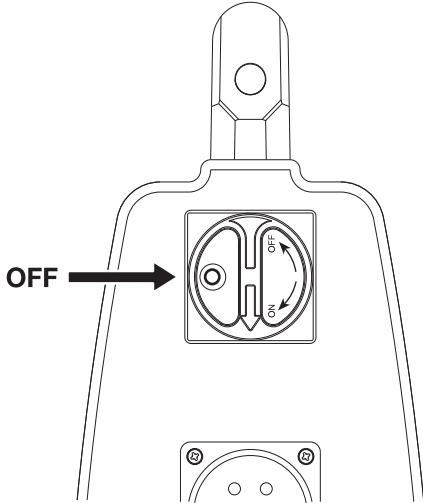
- 1 groupe moteur
- 1 commande à distance
- 1 câble électrique
- 1 câble Canbus
- 1 Flexible à eau
- Boîtes pour un transport en toute sécurité

# MONTAGE

## Montage/Installation de l'équipement

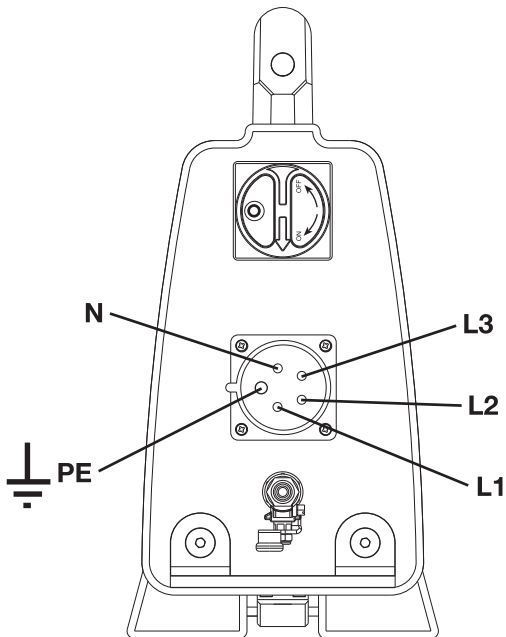
Après avoir été transportée à un emplacement approprié, la machine doit être branchée:

- Mettre l'interrupteur principal en position "0".



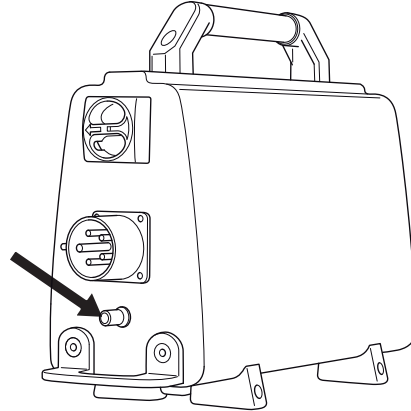
- Brancher le câble d'alimentation électrique (380-480 V, 32 A, prise européenne). Les groupes moteurs équipés d'une prise monophasée (230 V) doivent également disposer d'un fil neutre afin que la prise puisse fonctionner. Le bloc d'alimentation fonctionne même s'il n'y a pas de fil neutre.

Pour pouvoir utiliser la pleine puissance de sortie du groupe moteur, il convient de le raccorder à un fusible 32 A. En cas de fusible 16 A ou 25 A, la puissance est inférieure de façon à ne pas surcharger le fusible. La sélection se fait lors du démarrage du groupe moteur.

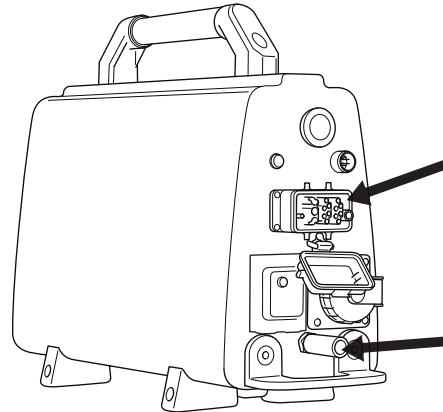


- Raccorder le flexible à eau au connecteur d'arrivée d'eau.

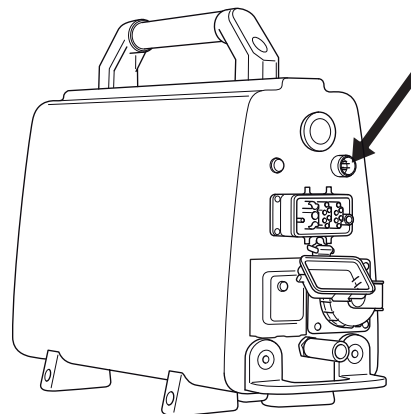
Le groupe moteur est équipé d'une valve d'eau électrique, qui se ferme lorsque le groupe moteur est activé. Quand le groupe moteur n'a pas d'électricité, la valve s'ouvre pour permettre la vidange d'eau de refroidissement afin d'éviter tout risque de gel.



- Brancher le câble électrique et le flexible d'eau fournis entre le groupe moteur et l'unité de sciage.



- Connecter la commande à distance à l'aide du câble Canbus joint à la livraison. Visser le contact du câble à la main.



# RÉGLAGES

## Menu de démarrage

Le menu de démarrage s'affiche à chaque fois que le groupe moteur est mis sous tension. Dans ce menu, l'utilisateur doit sélectionner le fusible.

L'écran de la commande à distance affiche "CHOIX FUSIBLE".

Si le fusible disponible est de 32 A, confirmer cette information en appuyant sur la touche tactile « OK ». S'il n'y a pas de fusible 32 A disponible, vous pouvez sélectionner 25 ou 16 A en appuyant sur la flèche du bas. L'écran affiche maintenant "CHOIX FUSIBLE" 25 A ou 16 A. Appuyer sur OK pour confirmer le choix.

Apparaît alors "HUSQVARNA PP-440 HF APP. START".

## Menu de fonctionnement

Tant que le groupe moteur est sous tension mais que la lame ne tourne pas, l'écran affiche "Husqvarna PP-440 HF APP. START".

Avant de commencer, toutes les commandes doivent être en position zéro. Dans le cas contraire, si vous appuyez sur le bouton de démarrage, un message apparaît à l'écran pour vous l'indiquer. "BAISSER MEASURE LONGUEUR" ou "BAISSER ALIM INTERIEURE" ou "BAISSER LAME".

Quand la lame commence à tourner, "XX RPM/ B. YY mm ZZ% RPM" s'affiche à l'écran. "XX" y représente le nombre de tours ; "B", la lame ; "YY", la taille de lame recommandée et "ZZ", la puissance de sortie en pourcentage de la puissance max.

On peut atteindre les paramètres suivants en navigant à l'aide des flèches :

- Eau de refroid
- Select language
- ID groupe moteur
- Mesure temps
- Temps mach total
- Sens de rotation

## Eau de refroid

Sélectionnez le mode AUTO ou ON. Si AUTO est sélectionné, le refroidissement à l'eau est activé lorsque la lame se met à tourner. Si ON est sélectionné, le robinet d'adduction d'eau est toujours ouvert. L'eau peut être coupée manuellement à l'aide du robinet d'eau. Le mode par défaut au démarrage est AUTO. Le mode sélectionné est indiqué à l'écran. Pour modifier le mode, appuyer sur OK.

## Select language

Ce sous-menu permet de sélectionner la langue utilisée dans l'affichage.

Appuyer sur les touches fléchées jusqu'à affichage de la langue désirée. Confirmer avec « OK ».

## ID groupe moteur

L'écran affiche le numéro d'identité du groupe moteur.

## Mesure temps

Cette fonction s'utilise pour mesurer le temps nécessaire à un travail. Le temps est mesuré à partir du moment où la scie commence à travailler.

Sélectionner :

- MARCHE pour activer.
- ARRÊT pour arrêter.
- RAZ MESURE TEMPS, pour réinitialiser.

Utiliser les flèches et confirmer avec "OK".

## Temps mach total

La durée totale de fonctionnement du groupe moteur est indiquée ici. La durée est affichée en heures et en minutes (hhhh:mm).

## Sens de rotation

Ici, vous pouvez sélectionner le sens de rotation de la lame. Pour sélectionner les paramètres standard ou revenir en arrière, appuyer sur "OK".

# DÉMARRAGE ET ARRÊT

## Avant de démarrer la machine



Avant de démarrer la scie, il convient de vérifier que :

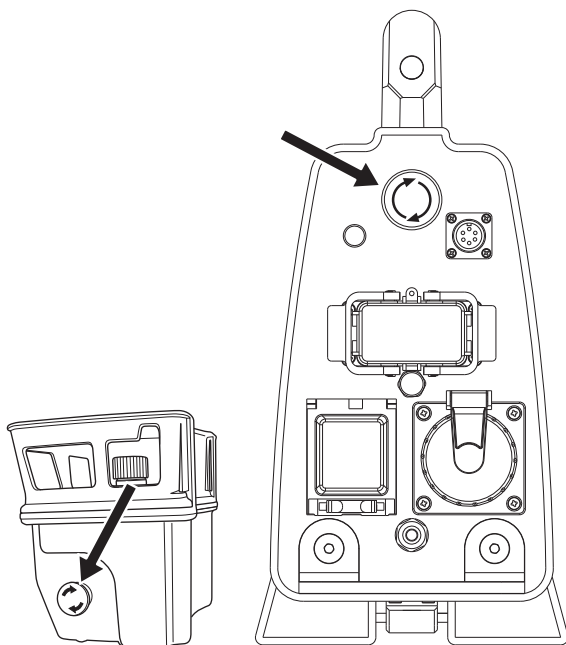
- le câble électrique d'entrée est protégé au moins par un fusible de 16 A.
- Le câble électrique est raccordé à l'unité de sciage.
- une puissance de 32 A, 25 A ou 16 A est sélectionnée.
- Toutes les commandes de la commande à distance sont réglées en position zéro. Dans le cas contraire, si vous appuyez sur le bouton de démarrage, un message apparaît à l'écran pour vous l'indiquer.
- Fermez la zone de sciage afin que les personnes non autorisées ne risquent pas d'être blessées ou de déranger l'opérateur.

**IMPORTANT!** Une vitesse plus élevée que celle recommandée risque de causer des blessures ou dommages.

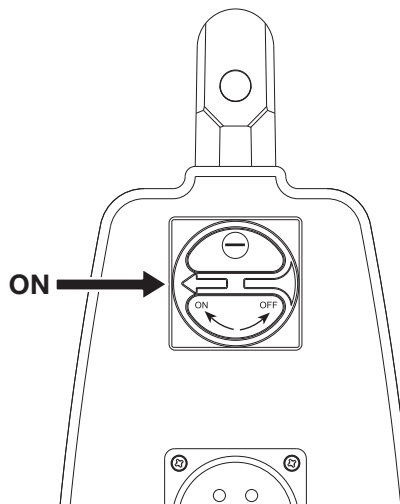
## Démarrage



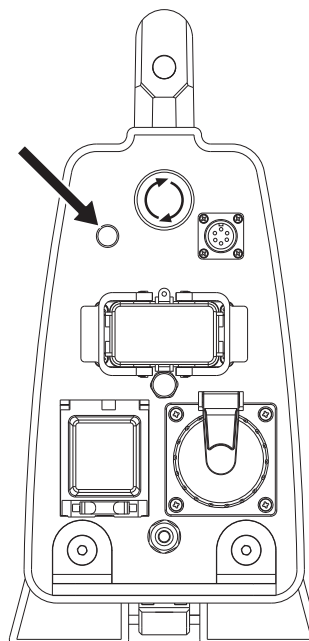
- Veiller à ne pas appuyer sur le bouton d'arrêt d'urgence du groupe moteur ni sur le bouton d'arrêt de la commande à distance en les tournant dans le sens des aiguilles d'une montre.



- Placer l'interrupteur principal sur la position "1".



- Le groupe moteur est activé et donc, l'indicateur est allumé



La valve d'eau du groupe moteur est maintenant fermée. Cette valve s'ouvre de nouveau quand la lame commence à tourner.

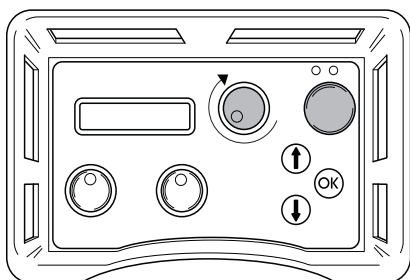
- L'écran de la commande à distance affiche "CHOIX FUSIBLE".  
Si le fusible disponible est de 32 A, confirmer cette information en appuyant sur la touche tactile « OK ».
- S'il n'y a pas de fusible 32 A disponible, vous pouvez sélectionner 25 ou 16 A en appuyant sur la flèche du bas. L'écran affiche maintenant "CHOIX FUSIBLE" 25 A ou 16 A.  
Avec un fusible 25 A, vous pouvez utiliser environ 70 % de la puissance max. de sortie. Avec un fusible 16 A, vous pouvez utiliser environ 50 % de la puissance max. de sortie. La fonction permet d'obtenir une puissance de sortie la plus élevée possible sans surcharger le fusible.  
La puissance de sortie pour le fusible sélectionné est affiché en pourcentage à l'écran.
- Appuyer sur OK pour confirmer le choix.
- Apparaît alors "HUSQVARNA PP-440 HF APP. START".

# DÉMARRAGE ET ARRÊT

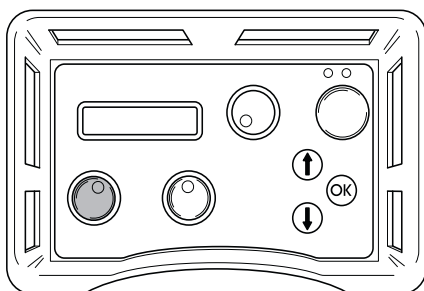
- Le sens de rotation de la lame est réglable sur l'unité de sciage WS 440 HF.

Pour sélectionner le sens, appuyer sur la flèche du haut du clavier tactile de la commande à distance. L'écran affiche "SENS LAME STANDARD" ou "SENS LAME CONTRAIRE". Pour modifier la sélection actuelle, appuyer sur "OK". Cela ne peut être fait que lorsque la lame est immobile.

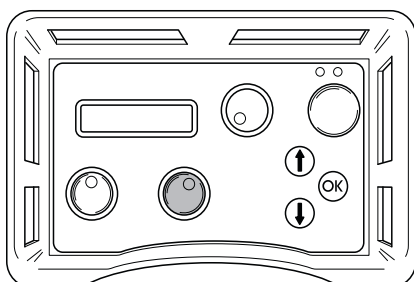
- Démarrer la rotation de la lame en appuyant pendant un certain temps sur le bouton de démarrage vert tout en tournant la commande du sens de rotation dans le sens des aiguilles d'une montre. La lame se met à tourner après trois secondes. Vous pouvez suivre le compte à rebours à l'écran. Le décalage permet au groupe moteur de refroidir ; il peut en effet devenir extrêmement chaud quand il est actif et quand il n'y a pas de circulation d'eau de refroidissement.



- Il n'y a pas de décalage si le mode sélectionné pour le refroidissement à l'eau est activé.
- Pour davantage d'informations sur la rotation de la lame et les lames adéquates pour diverses vitesses de rotation, voir le tableau dans spécifications techniques.
- Le refroidissement à l'eau s'enclenche automatiquement lorsque le bouton d'activation de la lame n'est pas sur sa position zéro. Le débit d'eau est réglable à l'aide du robinet à bille placé au niveau du connecteur d'arrivée d'eau sur le groupe moteur.
- Démarrer l'alimentation d'entrée en tournant la manette correspondante sur la commande à distance dans le sens souhaité.



- Démarrer l'alimentation en longueur de l'unité de sciage en tournant la commande correspondante dans la direction souhaitée.

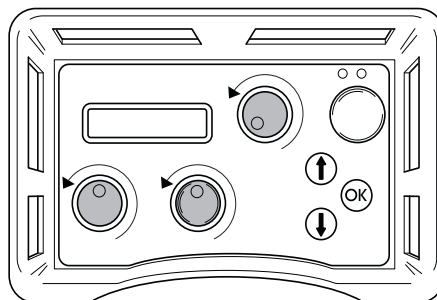


- Parcourir le manuel fourni avec la scie murale pour davantage d'instructions relatives aux techniques de sciage.

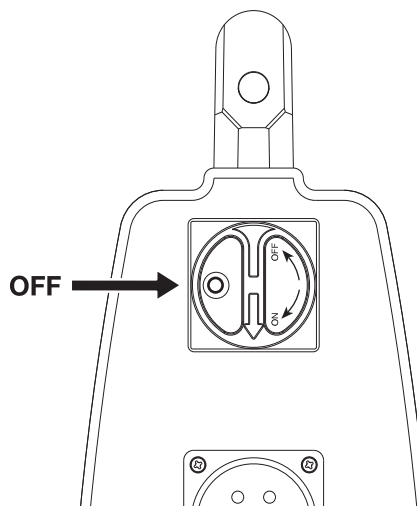
## Arrêt



- Pour arrêter la rotation de la lame, tourner la commande correspondante dans le sens inverse des aiguilles d'une montre, jusqu'à la position zéro. Il convient également de tourner les commandes de l'alimentation en longueur et de l'alimentation intérieure jusqu'à leur position zéro.



- Tournez l'interrupteur principal du groupe moteur jusqu'à la position "0".

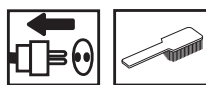


## Après le travail

### Démontage de l'équipement

- Débrancher le câble électrique d'entrée et le flexible d'arrivée d'eau.
- Débrancher le câble électrique et le flexible d'eau entre le groupe moteur et l'unité de sciage.
- S'il y a un risque de gel, la machine doit être vidangée de toute eau de refroidissement restante.

### Nettoyage



Veiller à garder les connecteurs et les broches propres. Nettoyer à l'aide d'un chiffon ou d'une brosse.

Ne pas utiliser de nettoyeur haute pression pour le nettoyage du groupe moteur.

# ENTRETIEN

## Service



**IMPORTANT!** Toutes les réparations doivent être effectuées par des réparateurs agréés. Ceci permet d'éviter que les opérateurs ne soient exposés à des risques importants.

Après 100 heures d'utilisation apparaît à l'écran le message "Time for servicing" (entretien requis). Il convient alors de confier l'équipement complet à un revendeur Husqvarna agréé pour son entretien.

## Messages d'erreur

En cas de dysfonctionnement, un message d'erreur s'affiche à l'écran. Suivre les instructions fournies ou contacter un revendeur agréé.

Message d'erreur	Cause	Mesure
MOTOR OVERHEATED (SURCHAUFFE MOTEUR)	Fuite d'eau de refroidissement / quantité insuffisante pour le moteur de la scie.	Vérifier que l'eau de refroidissement arrive jusqu'au moteur de la scie, qu'elle soit de 25 °C max. et que le débit soit au moins de 3,5 l/min.
POWER OVERHEATED (SURCHAUFFE ALIMENTATION)	Fuite d'eau de refroidissement / quantité insuffisante pour le groupe moteur.	Vérifier que l'eau de refroidissement arrive jusqu'au groupe moteur, qu'elle est de 25 °C max. et que son débit est d'au moins 3,5 l/min. Si le message apparaît lorsque la lame se met à tourner, allez dans le menu des opérations puis "Refroidissement eau". Sélectionnez ensuite "ON". Laissez l'eau de refroidissement circuler dans le groupe moteur pendant une minute avant d'activer la lame de nouveau.
LOW VOLTAGE (TENSION FAIBLE)	Faible tension au niveau du groupe moteur.	Vérifier la tension au cours de l'utilisation. Vérifier que les trois phases se produisent. Vérifier que les câbles d'arrivée ont une zone transversale suffisante.
HIGH VOLTAGE (TENSION ELEVEE)	Tension élevée au niveau du groupe moteur.	Vérifier la tension au cours de l'utilisation. Ce message s'affiche principalement lorsque l'on utilise un générateur comme source électrique.
OVER CURRENT (SURINTENSITE)	Surintensité au niveau du moteur de la scie	Contrôler que le câble électrique est correctement branché et qu'il n'est pas endommagé. Le message peut apparaître en cas de contact lâche.
H SENSOR TRAVEL (LONGUEUR CAPTEUR H)	Erreur au niveau de la carte du capteur HAL pour l'alimentation en longueur	Faire examiner l'appareil par un atelier de réparation agréé.
H SENSOR DEPTH (PROFONDEUR CAPTEUR H)	Erreur au niveau de la carte du capteur HAL pour l'alimentation intérieure.	Faire examiner l'appareil par un atelier de réparation agréé.
NO CONTACT CHECK CAN-CABLE (PAS DE CONTACT VERIF. CABLE CAN)	Aucun contact entre le groupe moteur et la commande à distance.	Remplacer le câble bus Can.

## Entretien quotidien



Contrôler régulièrement :

- La présence de bruits anormaux.
- Veiller à garder les connecteurs et les broches propres. Nettoyer à l'aide d'un chiffon ou d'une brosse.
- Ne pas utiliser de nettoyeur haute pression pour le nettoyage du groupe moteur.

# CARACTÉRISTIQUES TECHNIQUES

## PP 440 HF

Puissance de sortie max., kW	15
Courant nominal, A	32
Tension d'entrée, V	380-480 V, 50-60 Hz
Tension de sortie, V	340 V, 0-500 Hz
Tension de sortie sec., V	24 V, 0-1500 Hz
Ligação eléctrica	3P+PE (4-pin) / 3P+N+PE (5-pin)
Sortie monophasée 1x230V	Uniquement machines 5 broches

### Générateur à effet - min., kVA

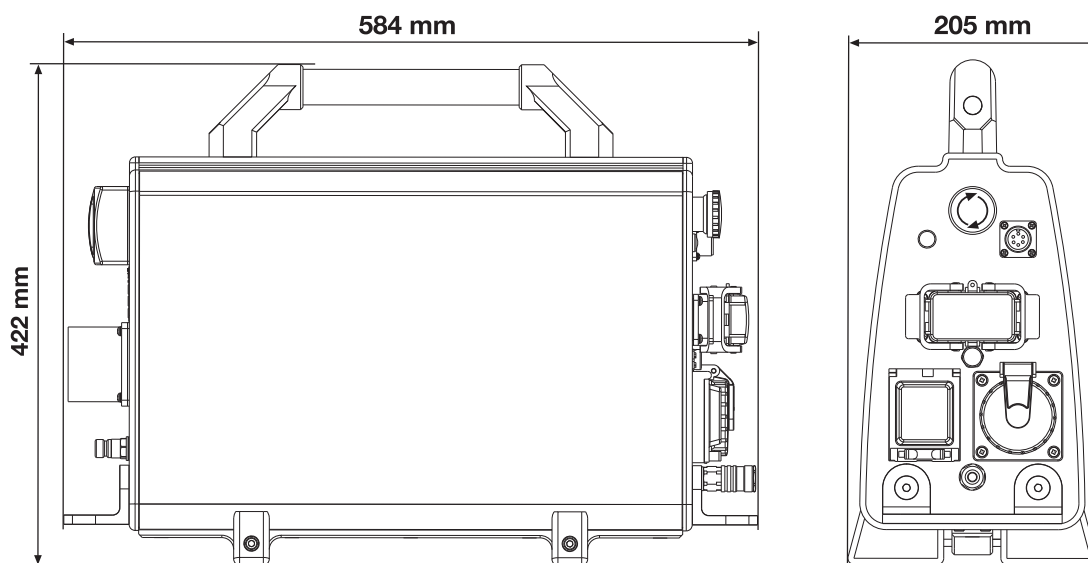
400V, 16A	12
400V, 25A	20
400V, 32A	24

Poids, kg	18
-----------	----

Température max. de l'eau de refroidissement à 3,5 l/ min., °C	25
--	----

Pression max. de l'eau de refroidissement, bar	7
--	---

## Dimensions





# CARACTÉRISTIQUES TECHNIQUES

## Lame

### Vitesse lame recommandée



**AVERTISSEMENT! Couper à un régime trop élevé peut endommager la lame et engendrer des blessures individuelles.**

Lors du choix de la lame, suivre les recommandations du fabricant en ce qui concerne le matériau et la vitesse. Pour une coupe dans du béton dur, il convient d'utiliser une vitesse de lame inférieure à celle utilisée pour une coupe dans du béton moins dense.

	600 mm (24")	800 mm (32")	1000 mm (40")	1200 mm (48")
600 tr/min				
700 tr/min				
800 tr/min				
900 tr/min				
1000 tr/min				
1100 tr/min				
1200 tr/min				

Béton	
	Dur
	Moyen
	Doux

Lors du choix de la lame, suivre les recommandations du fabricant en ce qui concerne le matériau et la vitesse.

Pour une coupe dans du béton dur, il convient d'utiliser une vitesse de lame inférieure à celle utilisée pour une coupe dans du béton moins dense.



**AVERTISSEMENT! Couper à un régime trop élevé peut endommager la lame et engendrer des blessures individuelles.**

## Assurance de conformité UE

(Concerne seulement l'Europe)

Husqvarna AB, SE-433 81 Göteborg, Suède, tél. : +46-31-949000, déclarons, sous notre seule responsabilité, que le groupe moteur **Husqvarna PP 440 HF** à partir des numéros de série de l'année de fabrication 2010 (l'année est indiquée en texte clair sur la plaque d'identification et suivie d'un numéro de série) est conforme aux dispositions établies dans les DIRECTIVES DU CONSEIL

- du 17 mai 2006 "directive machines" **2006/42/CE**
- du 15 décembre 2004 "compatibilité électromagnétique" **2004/108/CEE**.
- du 12 décembre, 2006 "relatives aux équipements électriques" **2006/95/CE**.

Les normes harmonisées suivantes ont été appliquées: EN ISO 12100:2003, EN 55014-1:2006, EN 55014-2/A1:2001, EN 61000-3-11:2000, EN 60204-1:2006.

Göteborg, le 29 décembre 2009

Henric Andersson

Vice-président, responsable des découpeuses et équipements de construction

Husqvarna AB

(Représentant autorisé d'Husqvarna AB et responsable de la documentation technique.)





**GB - Original instructions, ES - Instrucciones originales  
DE - Originalanweisungen, FR - Instructions d'origine**

**1153427-20**



**2010-02-15**