

GB

Operator's manual

Please read the operator's manual carefully and make sure you understand the instructions before using the machine.

ES

Manual de instrucciones

Lea detenidamente el manual de instrucciones y asegúrese de entender su contenido antes de utilizar la máquina.

DE

Bedienungsanweisung

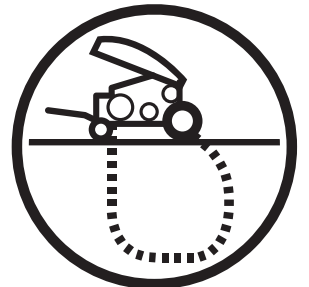
Lesen Sie die Bedienungsanweisung sorgfältig durch und machen Sie sich mit dem Inhalt vertraut, bevor Sie das Gerät benutzen.

FR

Manuel d'utilisation

Lire attentivement et bien assimiler le manuel d'utilisation avant d'utiliser la machine.

CS 2512



GB ES DE FR

KEY TO SYMBOLS

Symbols on the machine:

WARNING! The machine can be a dangerous tool if used incorrectly or carelessly, which can cause serious or fatal injury to the operator or others.

Please read the operator's manual carefully and make sure you understand the instructions before using the machine.

Always wear:

- Approved protective helmet
- Approved hearing protection
- Protective goggles or a visor
- Breathing mask

This product is in accordance with applicable EC directives.

Other symbols/decals on the machine refer to special certification requirements for certain markets.



Explanation of warning levels

The warnings are graded in three levels.

WARNING!



WARNING! Used if there is a risk of serious injury or death for the operator or damage to the surroundings if the instructions in the manual are not followed.

CAUTION!



CAUTION! Used if there is a risk of injury to the operator or damage to the surroundings if the instructions in the manual are not followed.

NOTICE!

NOTICE! Used if there is a risk of damage to materials or the machine if the instructions in the manual are not followed.

CONTENTS

Contents

KEY TO SYMBOLS

Symbols on the machine:	2
Explanation of warning levels	2

CONTENTS

Contents	3
----------------	---

PRESENTATION

Dear Customer,	4
CS 2512	4

PRESENTATION

What is what on the wire saw?	6
-------------------------------------	---

OPERATING

Protective equipment	7
General safety precautions	7

ASSEMBLY

Assembling/Installing equipment	9
Threading the wire	10
Placement of the cooling water	11
Connect the hydraulic unit	11

STARTING AND STOPPING

Before starting	12
Starting	12
Stopping	12
Dismantling the saw	12
Cleaning	12

MAINTENANCE

Maintenance	13
Greasing	13
Repairs	13

TECHNICAL DATA

CS 2512	14
EC-declaration of conformity	15

PRESENTATION

Dear Customer,

Thank you for choosing a Husqvarna product!

It is our wish that you will be satisfied with your product and that it will be your companion for a long time. A purchase of one of our products gives you access to professional help with repairs and services. If the retailer who sells your machine is not one of our authorised dealers, ask him for the address of your nearest service workshop.

This operator's manual is a valuable document. Make sure it is always at hand at the work place. By following its' content (using, service, maintenance etc) the life span and the second-hand value of the machine can be extended. If you will sell this machine, make sure that the buyer will get the operator's manual.

More than 300 years of innovation

Husqvarna AB is a Swedish company based on a tradition that dates back to 1689, when the Swedish King Charles XI ordered the construction of a factory for production of muskets. At that time, the foundation was already laid for the engineering skills behind the development of some of the world's leading products in areas such as hunting weapons, bicycles, motorcycles, domestic appliances, sewing machines and outdoor products.

Husqvarna is the global leader in outdoor power products for forestry, park maintenance and lawn and garden care, as well as cutting equipment and diamond tools for the construction and stone industries.

User responsibility

It is the owner's/employer's responsibility that the operator has sufficient knowledge about how to use the machine safely. Supervisors and operators must have read and understood the Operator's Manual. They must be aware of:

- The machine's safety instructions.
- The machine's range of applications and limitations.
- How the machine is to be used and maintained.

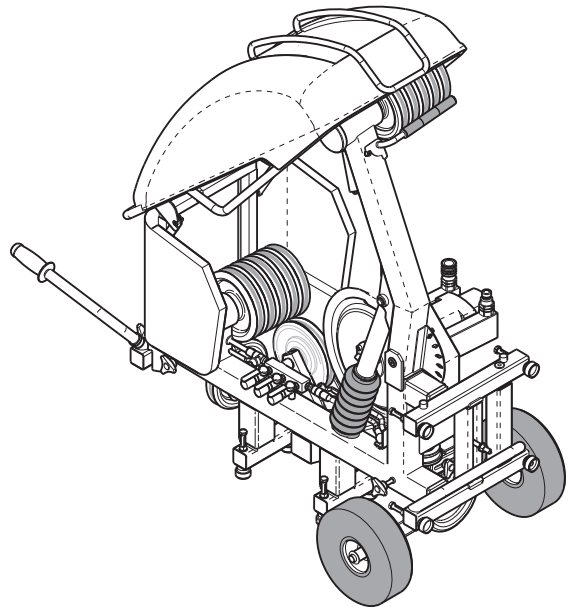
National legislation could regulate the use of this machine. Find out what legislation is applicable in the place where you work before you start using the machine.

The manufacturer's reservation

All information and all data in the Operator's Manual were applicable at the time the Operator's Manual was sent to print.

Husqvarna AB has a policy of continuous product development and therefore reserves the right to modify the design and appearance of products without prior notice.

CS 2512



Husqvarna CS 2512 is designed for use together with the hydraulic unit PP 455 E or Husqvarna RC 455. Husqvarna CS 2512 is a powerful and easy to use wire saw with a capacity for really large work, yet at the same time sufficiently compact and mobile for small work. It can be used in many different ways, both on the ground and fitted to the wall.

The well thought-out design of the CS 2512, where the drive wheel is placed on the machine's output side means that the wire is always under tension even when the feed force is low. Combined with the adjustable pressure valve this gives exact control of cutting and unbeatable performance.

The machine can be rigged both vertically and horizontally and many cuts can be made directly without external idler wheels.

Complete saw equipment consists of:

- One saw
- 1 x accessory box
- 1 x 18 mm wrench
- 1 x pressure reduction block
- 1 x extra wear rubber for the magazine wheel
- 1 x cleaning brush

PRESENTATION

Accessories

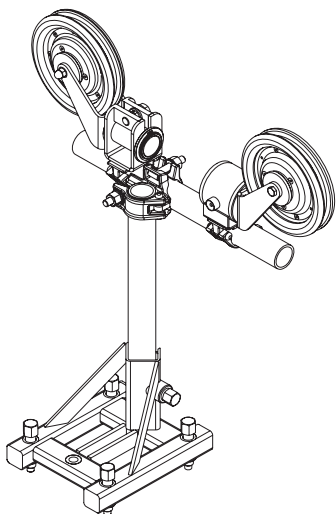
Water spear

Connected to the water connections on the saw and used to guide cooling water into the cut to cool the wire and to bind the concrete dust.



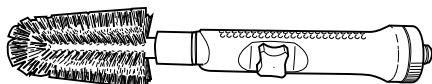
Idler wheels

Husqvarna idler wheels are designed to smoothly guide the wire as efficiently as possible. By using idler wheels the number of sharp corners to cut around can be reduced, which means that more of the cutting capacity is used for material removal.

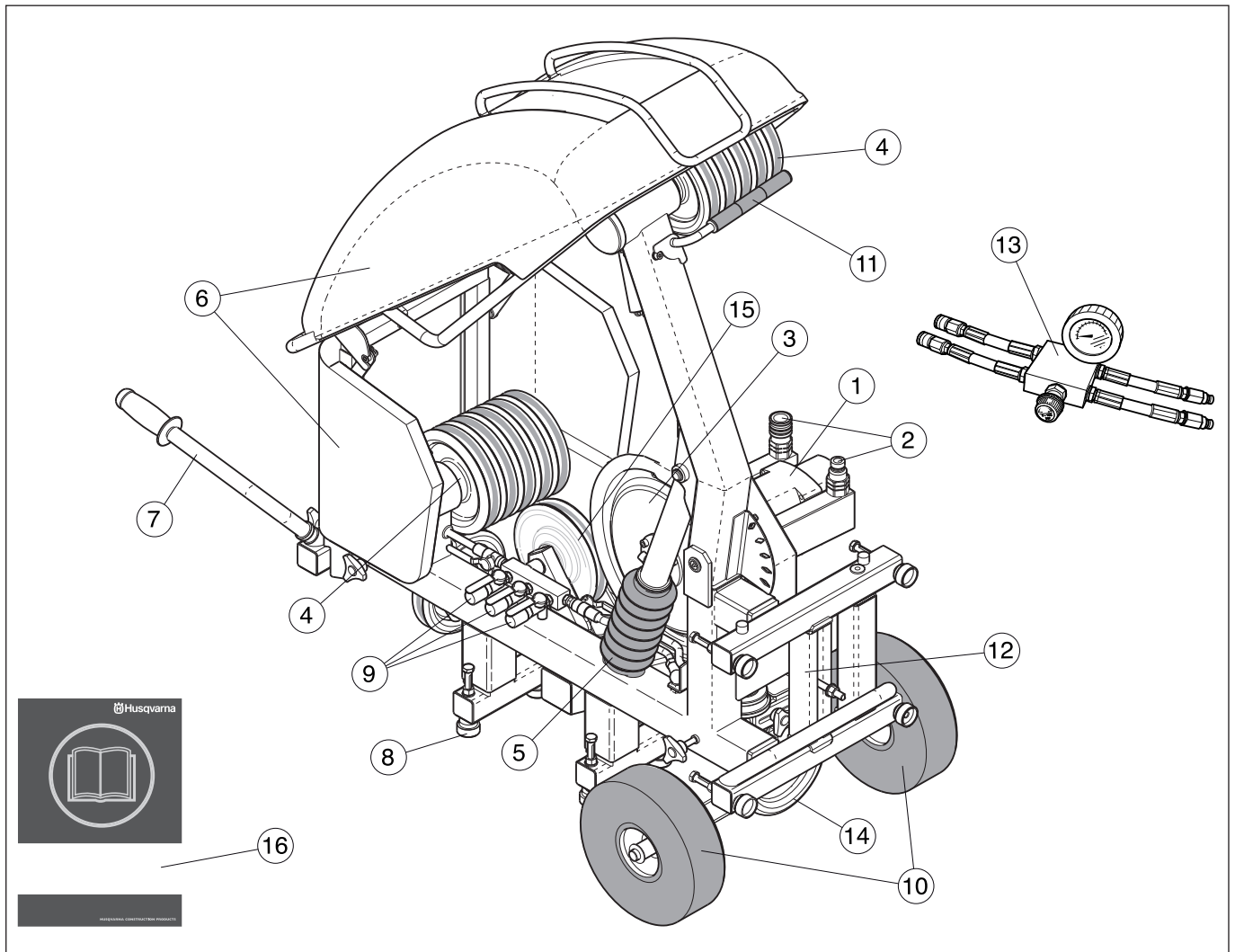


Cleaning brush

Can be connected to the water hose and then used to clean the machine after use.



PRESENTATION



What is what on the wire saw?

- | | |
|------------------------------|-----------------------------|
| 1 Hydraulic motor | 9 Water connector |
| 2 Hydraulic hose connections | 10 Rubber wheels |
| 3 Drive wheel | 11 Wire boom |
| 4 Wire magazine | 12 Anchor beam |
| 5 Magazine cylinder | 13 Pressure reduction block |
| 6 Guard | 14 Swivel wheels |
| 7 Carrying handle | 15 Guide wheels |
| 8 Leveling adjustment screws | 16 Operator's manual |

OPERATING

Protective equipment

General

Do not use the machine unless you are able to call for help in the event of an accident.

Personal protective equipment

You must use approved personal protective equipment whenever you use the machine. Personal protective equipment cannot eliminate the risk of injury but it will reduce the degree of injury if an accident does happen. Ask your dealer for help in choosing the right equipment.



WARNING! The use of products such as cutters, grinders, drills, that sand or form material can generate dust and vapours which may contain hazardous chemicals. Check the nature of the material you intend to process and use an appropriate breathing mask.

Long-term exposure to noise can result in permanent hearing impairment. So always use approved hearing protection. Listen out for warning signals or shouts when you are wearing hearing protection. Always remove your hearing protection as soon as the engine stops.

There is always a risk of crush injuries when working with products containing moving parts. Wear protective gloves to avoid body injuries. Be careful as clothing, long hair, and jewellery can get caught in moving parts.

Always wear:

- Approved protective helmet
- Hearing protection
- Protective goggles or a visor
- Breathing mask
- Heavy-duty, firm grip gloves.
- Tight-fitting, heavy-duty and comfortable clothing that permits full freedom of movement.
- Boots with steel toe-caps and non-slip sole.

Other protective equipment



IMPORTANT! Sparks may appear and start a fire when you work with the machine. Always keep fire fighting equipment handy.

- Fire Extinguisher
- Always have a first aid kit nearby.

General safety precautions

This section describes basic safety directions for using the machine. This information is never a substitute for professional skills and experience.

- Please read the operator's manual carefully and make sure you understand the instructions before using the machine.
- Keep in mind that it is you, the operator that is responsible for not exposing people or their property to accidents or hazards.
- The machine must be kept clean. Signs and stickers must be fully legible.

Always use common sense

It is not possible to cover every conceivable situation you can face. Always exercise care and use your common sense.

If you get into a situation where you feel unsafe, stop and seek expert advice. Contact your dealer, service agent or an experienced user. Do not attempt any task that you feel unsure of!



WARNING! The machine can be a dangerous tool if used incorrectly or carelessly, which can cause serious or fatal injury to the operator or others.

Never allow children or other persons not trained in the use of the machine to use or service it.

Never allow anyone else to use the machine without first ensuring that they have understood the contents of the operator's manual.

Never use the machine if you are tired, if you have drunk alcohol, or if you are taking medication that could affect your vision, your judgement or your co-ordination.



WARNING! Unauthorized modifications and/or accessories may lead to serious injury or death to the user or others. Under no circumstances may the design of the machine be modified without the permission of the manufacturer.

Do not modify this product or use it if it appears to have been modified by others.

Never use a machine that is faulty. Carry out the checks, maintenance and service instructions described in this manual. Some maintenance and service measures must be carried out by trained and qualified specialists. See instructions under the heading Maintenance.

Always use genuine accessories.

OPERATING

Work area safety



WARNING! The safety distance to all moving parts is a minimum of 1,5 m. You are responsible to ensure that animals and onlookers are not within the working area.

- Observe your surroundings to ensure that nothing can affect your control of the machine.
- Ensure that no one/nothing can come into contact with the cutting equipment or be hit by parts if the wire breaks.
- Secure the working area with appropriate guards if there is danger of parts being thrown from the work piece. Secure and cordon off the area and make sure that no one can be injured or material damaged.
- Make sure that no pipes or electrical cables are routed in the working area or in the material to be cut.
- Check that electrical cables within the working area are not live.
- Ensure that the working area is sufficiently illuminated to create a safe working environment.
- Do not use the machine in bad weather, such as dense fog, heavy rain, strong wind, intense cold, etc. Working in bad weather is tiring and can lead to dangerous conditions, e.g. slippery surfaces.

Basic working techniques

- This machine is designed for and intended for sawing concrete, brick and different stone materials. All other use is improper.
- This machine is only intended for use together with a Husqvarna PP 455E or a unit connected to Husqvarna RC 455. All other use is forbidden.
- The machine is intended for use in industrial applications by experienced operators.
- Do not modify safety equipment. Check regularly that they function as they should. The machine must not be run with defective or disassembled safety equipment.
- Always check that the guard is correctly fitted before starting the machine. Never cut without using the guard.
- Never use worn or damaged wire.
- Only use wire recommended by the manufacturer. See instructions in the section "Technical data".
- Never cut without using the cooling water. A poorly cooled wire can result in the segments overheating, which results in greater wear. In the worst case scenario, segments can come loose from the wire and injure persons close to the saw.
- Check that all couplings, connections and hydraulic hoses are in full working order.
- Keep the hydraulic hoses and couplings free from dirt. Do not misuse hoses.
- Do not use hoses that are distorted, worn or damaged.

- Check that the hoses are connected correctly to the machine and that the hydraulic couplings lock as intended before pressurising the hydraulic system. The couplings are locked by turning the outer sleeve on the female coupling so that the slot moves away from the ball.
- Check the machine, couplings and hydraulic hoses daily for leakage. A rupture or leak can cause a "hydraulic fluid injection" in the body or result in other serious physical injury.
- Never disconnect the hydraulic hoses without first shutting off and disconnecting the hydraulic unit and ensuring the motors have stopped completely.
- Do not exceed the specified hydraulic fluid flow or pressure for the tool being used. Excessive pressure or flow can result in rupturing.
- Hoses that are marked and approved as electrically non conductive must be used when using hydraulic tools on or in the vicinity of electrical cables. The use of other types of hoses can result in serious physical injury or even death.
- When replacing hoses, hoses marked 'non-conducting dielectric' must be used. The hoses must be regularly checked for their electrical conductive insulation in accordance with special instructions.
- Run the hydraulic system until it reaches its operation temperature of 30°C before starting to saw, to reduce return pressure and other wear.
- Always ensure you have a safe and stable working position.
- Clearly mark out all cuts to be made before you start sawing, plan these so they can be carried out without danger to persons or the machine.
- Never leave the machine unsupervised with the motor running.
- Never saw in such a way that you cannot easily reach the emergency stop on the hydraulic unit or the stop button on the remote control. See hydraulic unit manual.
- Make sure that there is always another person close at hand when you use the machines, so that you can call for help if an accident should occur.
- Observe care when lifting. You are handling heavy parts, which implies the risk of pinch injuries or other injuries.

Transport and storage

- Secure the equipment during transportation in order to avoid transport damage and accidents.
- Always switch off the power to the hydraulic unit and disconnect the hoses to the saw unit before moving the equipment.
- Store the equipment in a lockable area so that it is out of reach of children and unauthorized persons.

ASSEMBLY

Assembling/Installing equipment



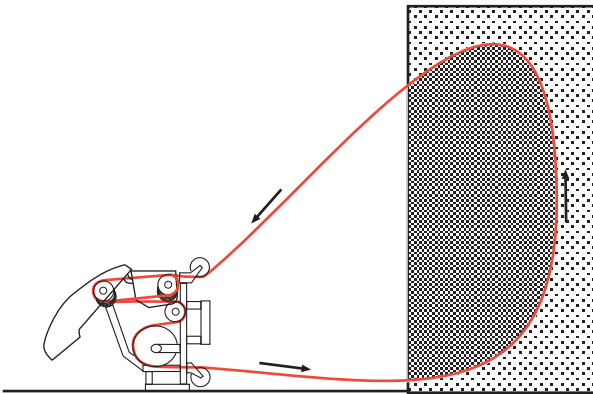
WARNING! Disconnect the hydraulic hoses.



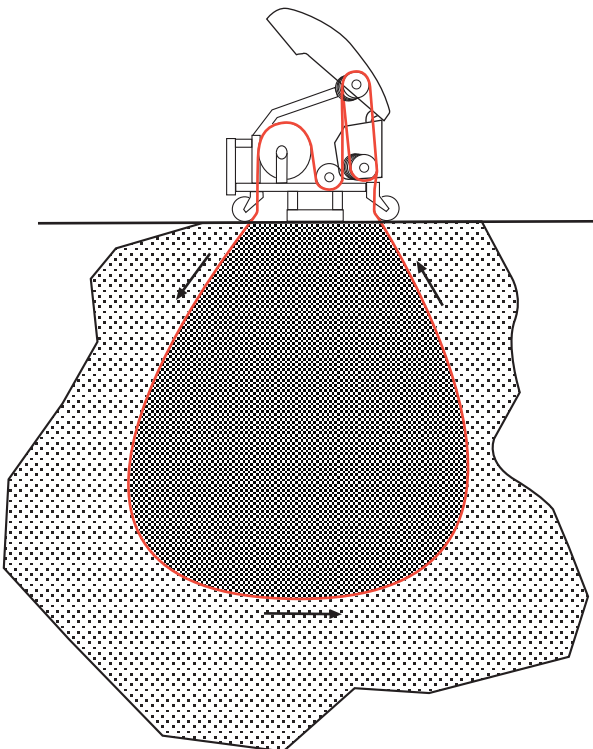
WARNING! Always position the saw so that you can stand without the risk of being hit by a broken wire. Ensure that no unauthorised persons can access the working area while cutting. Being hit by a broken wire can result in death or serious personal injury.

Cutting needs to be planned carefully before assembling the saw so that it can be performed as easily as possible.

Husqvarna CS 2512 can be assembled to make either horizontal or vertical cuts. The saw is assembled standing when you wish to make vertical cuts.



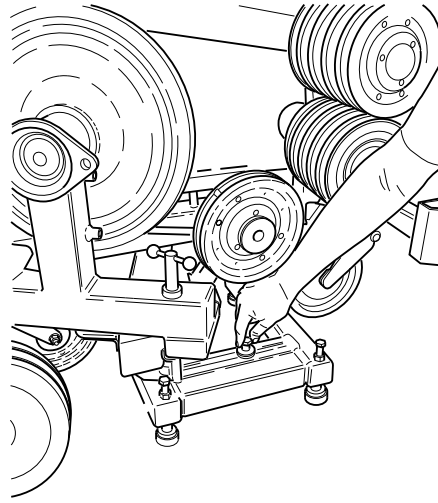
The saw is assembled horizontally when the cut is to be made at floor height and when the cut is made in the floor.



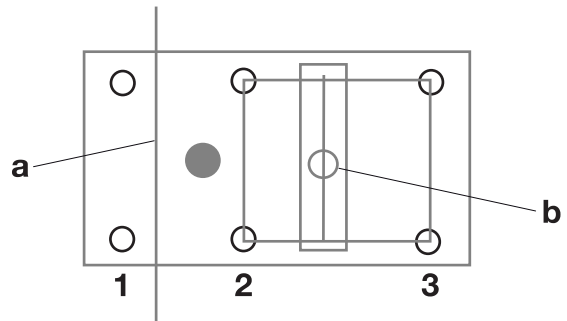
It may be necessary to drill holes to thread the wire through the material to be cut.

Position the saw in an appropriate position in front of the planned cut. When the saw is in position, secure it by screwing down the anchor bolt.

When the saw is anchored to the floor, screw down the adjuster feet so that the saw stands firmly.



Remember that the machine's centre of gravity (the grey circle) is positioned between the first and second pairs of adjuster feet (the adjuster feet pairs are marked 1-3) with a horizontal cut (A). When cutting under the machine, it is important that the saw is anchored well with the anchor bolt (b) as the adjuster feet pairs 2 and 3 must be used. (Adjuster feet pair 1 may rest on the sawn off section.) If the saw is not anchored well it will overturn when the material supporting adjuster feet pair 1 has been cut through.



If necessary, fit idler wheels to assist the cutting process. Using the idler wheels allows the number of sharp corners that the wire must be pulled around can be reduced, which results in less wear to the wire at the same time as cutting is made easier. Using the idler wheels also lets the wire be guided in different directions without the need of moving the saw unit.

Also, use the idler wheels to capture the wire when finishing the cut.

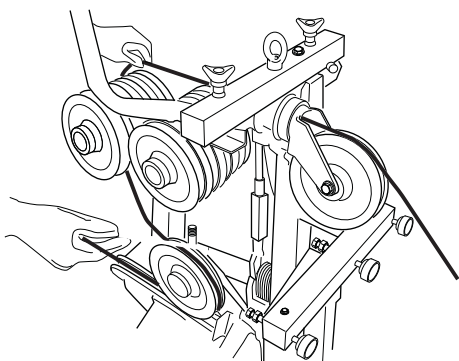
ASSEMBLY

Threading the wire

NOTICE! A used wire must always be run in the same direction, as it was previously run in order to prevent unnecessary wear.

The guard can easily be lifted off to facilitate fitting wire. Now thread the wire as follows:

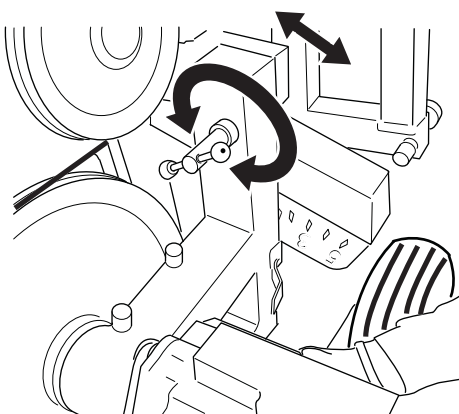
- 1 Make sure the magazine is in the min position.
- 2 Place the wire around the work piece, possibly through the predrilled holes and back to the saw.
- 3 Thread the wire through the hole by the swivel wheel and around a suitable number of wheel sets in the magazine.



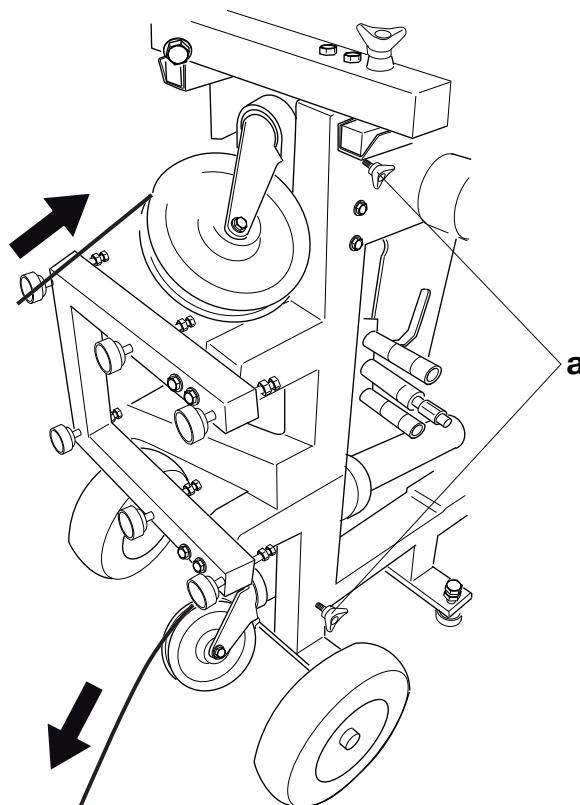
- 4 Adjust the drive wheel unit according to the number of wheel sets used in the magazine:

Loosen the arm by screwing out the knob anticlockwise. Now turn the drive wheel unit so that the arm is aligned with the markings on the saw. Lock the drive wheel unit by turning back the knob.

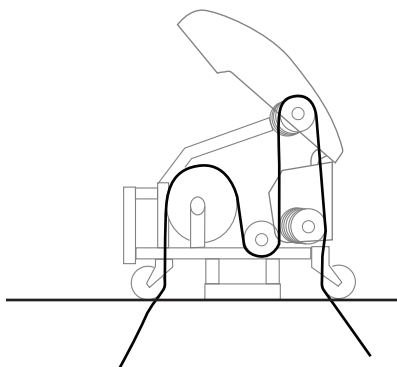
Usually only one wheel set is used in the first stage of cutting.



- 5 Thread the wire around the drive wheel and out through the hole by the second swivel wheel. The swivel wheel can rotate and be locked in the required position by turning the marked (A) knobs.



- 6 Before the joints on the wire are connected, the wire should be twisted 1 to 2 turns per metre wire used. It is important to twist the wire in the same direction as it is spun. This is to give as even wear as possible on the wire's diamond segments.
- 7 Lock the wire with a pin. If there are no end sleeves on the wire, these must be spliced on to the wire. A special pair of wire pliers must be used. If you are unsure about which model you should use, contact your Husqvarna dealer.
- 8 When the wire is routed correctly it should run through the machine as in the figure below:

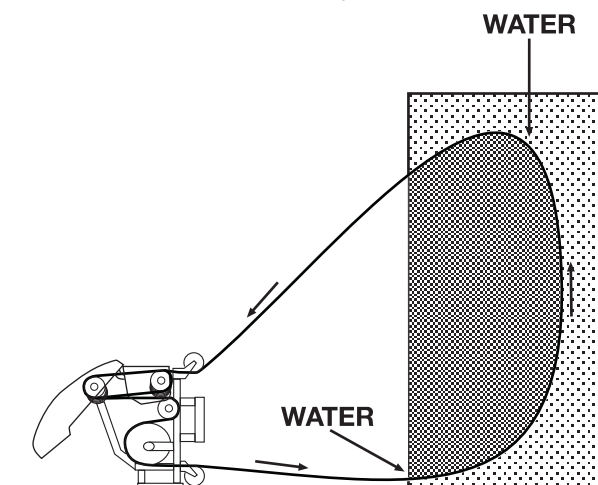


ASSEMBLY

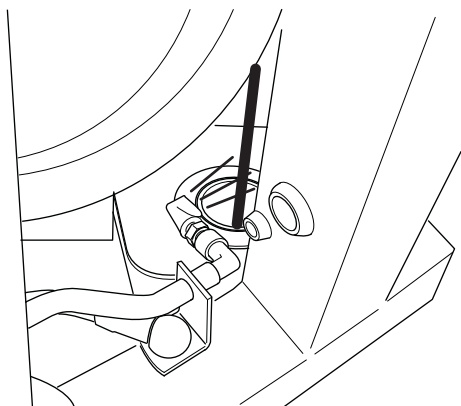
Placement of the cooling water

NOTICE! In order for the water to cool the wire as intended during cutting, it is essential to adjust the position of the cooling water as the material is cut. Remember to always stop the machine when you do this.

Husqvarna CS 2512 is equipped with two outlets for the cooling water. Ideally, Husqvarna water spears can be connected to these. The water spears are then placed where the wire enters the concrete. In this way the wire takes water with it into the cut, which results in the concrete dust binding and that the wire is cooled efficiently.



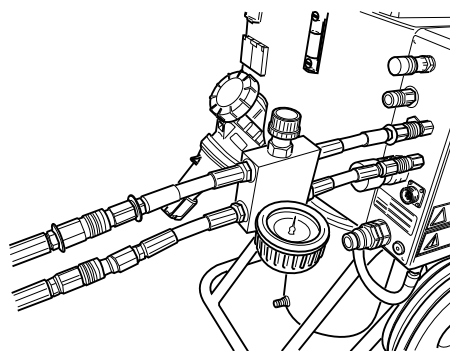
In addition to the cooling water from the water spear, the wire is rinsed by the two swivel wheels on the machine. This is to keep the wire as clean as possible, which means that the saw can work with less friction losses and greater efficiency as the wire becomes cleaner.



Connect the hydraulic unit

When the saw is assembled appropriately, it should be connected to a hydraulic unit. Husqvarna CS 2512 is designed for use with Husqvarna PP 455 or Husqvarna RC 455.

- 1 Check that the hydraulic unit is connected to the power.
- 2 Connect the cooling water to the motor on the hydraulic unit.
- 3 Check that the display on the remote control shows 'CONNECT HOSE BUNDLE'. If not follow the instructions in the Operator's manuals for PP 455E or RC 455.
- 4 Fit the pressure reduction block on the hydraulic unit as set out in the instructions on the block.
- 5 Connect the two smaller hydraulic hoses to the pressure reduction block. The hoses in the hose bundle marked with a red disc by the coupling shall be connected to the hose on the pressure reduction block that is also fitted with a disc.



- 6 Lock the couplings by turning the sleeve on the coupling so that the slot moves away from the ball.
- 7 Fit the two hoses connected on the pressure reduction block to the hoses to the feed cylinder on the saw. The hoses in the hose bundle marked with a red disc by the coupling shall be connected to the hose on the saw that is also fitted with a disc.
- 8 Connect the water hose to the incoming water on the saw.
- 9 Fit the two large hydraulic hoses on the unit first and then to the saw motor connections. Lock the couplings by turning the sleeve on the coupling so that the slot moves away from the ball.

NOTE!

If the couplings jam when assembling, they should be removed completely before being refitted.

Make sure that the couplings on the hoses not in use do not lie directly on the ground.

Always keep the couplings as clean as possible. A clean coupling lasts longer.

STARTING AND STOPPING

Before starting

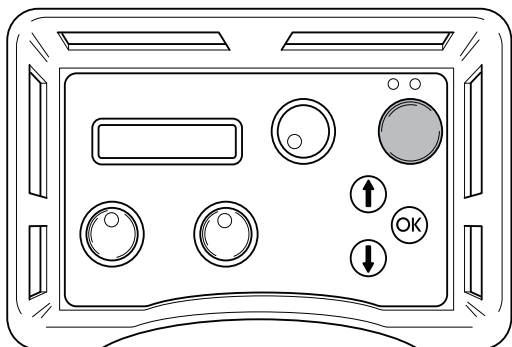
- Enclose the area to be cut so that unauthorised persons can not be injured or disturb the operator.
- Make sure that all hydraulic hoses and connections are intact and correctly connected, and that the water cooling is correctly connected and switched on.

Starting

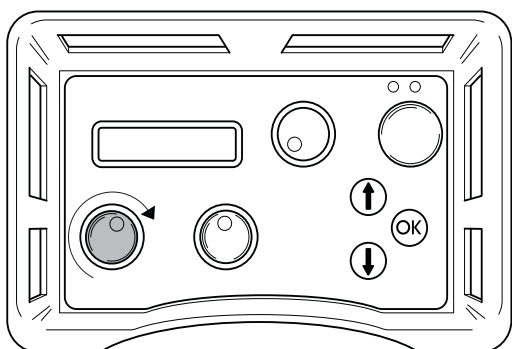
NOTICE! In order for the water to cool the wire as intended during cutting, it is essential to adjust the position of the cooling water as the material is cut. Remember to always stop the machine when you do this.

When all the equipment has been assembled cutting can start. In order for the saw to cut as efficiently as possible it should be started as follows:

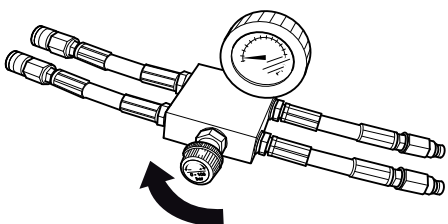
- 1 Close the valve on the pressure reduction block by turning the knob anti-clockwise until it stops and then two turns back.
- 2 Start the electric motor by pressing the remote control's green button once.



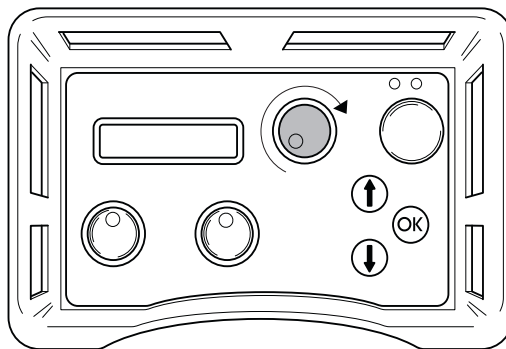
- 3 Set the feeding flow on the unit to max by turning the control on the remote control clockwise.



- 4 Tension the wire by carefully turning the knob on the pressure reduction block clockwise until the wire is tensioned sufficiently. Make sure to always check that the wire is seated correctly in all the wheels on the saw.



- 5 Start the wire drive by turning the control for motor rotation on the remote control clockwise.



- 6 Carefully increase the motor speed by turning the control for motor rotation. A suitable working pressure when cutting usually lies between 100 and 130 bar, but varies depending on how many wheel sets are used in the magazine, how much wire is in use and the hardness of the material to be cut.
- 7 As the material is cut away the working pressure drops, which is shown on the display, and the magazine must then be tensioned. Do this by turning the knob on the pressure reduction block clockwise.
- 8 The output tension on the magazine is shown by an indicator on the machine (shown in the min position). When the magazine cylinder is fully tensioned, the machine must be stopped and the wire must be wound around a new wheel set. Then continue to cut as above.

Stopping

- Lower the speed on the wire and allow the motor to stop completely.
- Turn off the electric motor by pressing the remote control's green button.

Dismantling the saw

- Disconnect the incoming cables from the hydraulic unit.
- Disconnect the hydraulic hoses and the water hose from the saw unit.
- Fold up the magazine arm.

The other steps are done in the reverse order to assembling.

Cleaning

NOTICE! Do not use a high pressure washer to clean the saw.

The saw should be cleaned once cutting is finished. It is important to clean all the saw equipment. It is a good idea to disconnect the water hose from the pivot arm and use this to wash down the saw unit. If necessary, you can also use the supplied cleaning brush or the like to clean the equipment. Do not use a high pressure washer to clean the saw.

MAINTENANCE

Maintenance



CAUTION! Inspection and/or maintenance should be carried out with the hydraulic hoses disconnected.

The user must only carry out the maintenance and service work described in this Operator's Manual. More extensive work must be carried out by an authorized service workshop.

In addition to the daily maintenance such as cleaning and lubrication, the machine must be serviced. After 50 hours of cutting, the machine should be serviced at an accredited Husqvarna workshop. The saw should then be serviced after every 100 hours of operation. The service is important so that as the user you have a machine that works as effectively as possible for a long time.

Greasing

In order for the wire to run as friction free as possible, the magazine axles must be filled with grease. Fill with grease after every 5 -10 hours of operation. Use Canadian Petroleum OG2 or similar grease.

Repairs



CAUTION! All types of repairs may only be carried out by authorised repairmen. This is so that the operators are not exposed to great risks.

TECHNICAL DATA

CS 2512

Power on drive wheel (with PP 455), kW	20
Hydraulic oil flow, l/min / gpm	65/17
Max. hydraulic pressure, bar/psi	230/3400
Max recommended hydraulic pressure when cutting, bar/psi	130/1900
Maximal wire length in the magazine (2.4 m/wheel set), m	12
Dimensions, handle folded in and the guard folded down (L x W x H), mm	1150x750x980
Weight, kg/lbs	150/330
Wire speed gear 1, m/s / ft/s	20/66
Wire speed gear 2, m/s / ft/s	25/82
Noise emissions (see note 1)	
Sound power level, measured dB(A)	94
Sound power level, guaranteed L _{WA} dB(A)	95
Sound levels (see note 2)	
Sound pressure level at the operators ear, dB(A)	83

Note 1: Noise emissions in the environment measured as sound power (L_{WA}) in conformity with EN 15027/A1.

Note 2: Noise pressure level according to EN 15027/A1. Reported data for noise pressure level has a typical statistical dispersion (standard deviation) of 1.0 dB(A).

Magazine capacity

	Number of magazine wheel pairs				
	1	2	3	4	5
MIN. length in machine, m	3,4	4,4	5,5	6,5	7,5
Absorbing length, m	2,4	4,8	7,2	9,6	12
MAX. length in machine, m	5,8	9,2	12,7	16,1	19,5

Recommended wires

Husqvarna recommends that the following wires are used:

Husqvarna C710C	Husqvarna C710C is a galvanised wire developed for use when cutting concrete with a great deal of reinforcement. The segments have a great number of diamonds and a smaller diameter (9.5mm) which means the wire cuts very efficiently. The smaller diameter also means that C710C can be used to finish difficult cuts.
Husqvarna C750C	Husqvarna C750C is an all round wire developed for use when cutting reinforced concrete. The wire has been designed for use with saws with an output power between 10 and 25 kW.
Husqvarna C760C	This is the Husqvarna premium wire: long life, high cutting rate and high power resistance characterize this wire. Husqvarna C760C can be used to cut all types of reinforced concrete, even when the work places high demands on the wire, for example when cutting bridges.
Husqvarna C790C	The segment strength on this wire makes Husqvarna C790C the best choice when cutting soft materials such as mortar, and lightly reinforced limestone concrete.
Husqvarna C575J	Husqvarna C575J is a wire with galvanised 15 mm segments.
C1200M	Husqvarna C1200M is a wire developed for use when cutting steel. The wire has been designed for use in extremely demanding situations. The use of the latest sintering technique has given enormous advantages with regard to cutting rates and life span. The wire can be supplied with either joined or loose ends.

For further information about different tools from Husqvarna, contact your Husqvarna dealer.

TECHNICAL DATA

EC-declaration of conformity

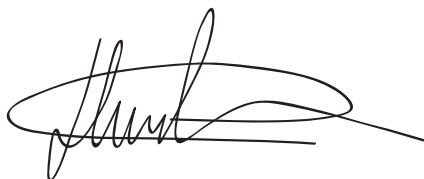
(Applies to Europe only)

Husqvarna AB, SE-433 81 Göteborg, Sweden, tel: +46-31-949000, declares under sole responsibility that the **Husqvarna CS 2512** dating from 2010 serial numbers and onwards (the year is clearly stated on the rating plate, followed by the serial number), complies with the requirements of the COUNCIL'S DIRECTIVE:

- of May 17, 2006 "relating to machinery" **2006/42/EC**

The following standards have been applied: EN ISO 12100:2003, EN 15027/A1:2009, EN 982/A1:2008.

Husqvarna December 29, 2009



Henric Andersson

Vice President, Head of Power Cutters and Construction Equipment

Husqvarna AB

(Authorized representative for Husqvarna AB and responsible for technical documentation.)

ACLARACIÓN DE LOS SÍMBOLOS

Símbolos en la máquina:

¡ATENCIÓN! La máquina, si se utiliza de forma errónea o descuidada, puede ser una herramienta peligrosa que puede causar daños graves e incluso la muerte al usuario y a otras personas.



Lea detenidamente el manual de instrucciones y asegúrese de entender su contenido antes de utilizar la máquina.



Utilice siempre:

- Casco protector homologado
- Protectores auriculares homologados
- Gafas protectoras o visor
- Máscara respiratoria



Este producto cumple con la directiva CE vigente.



Los demás símbolos/etiquetas que aparecen en la máquina corresponden a requisitos de homologación específicos en determinados mercados.

Explicación de los niveles de advertencia

Las advertencias se clasifican en tres niveles.

¡ATENCIÓN!



¡ATENCIÓN! Indica un riesgo de daños graves para el usuario o incluso muerte, o bien daños al entorno, si no se siguen las instrucciones del manual.

¡NOTA!



¡NOTA! Indica un riesgo de lesiones para el usuario o daños al entorno si no se siguen las instrucciones del manual.

AVISO

AVISO Indica un riesgo de daños en los materiales o en la máquina si no se siguen las instrucciones del manual.

ÍNDICE

Índice

ACLARACIÓN DE LOS SÍMBOLOS

Símbolos en la máquina:	16
Explicación de los niveles de advertencia	16

ÍNDICE

Índice	17
--------------	----

PRESENTACIÓN

Apreciado cliente:	18
CS 2512	18

PRESENTACIÓN

Componentes de la sierra de alambre	20
---	----

FUNCIONAMIENTO

Equipo de protección	21
Instrucciones generales de seguridad	21

MONTAJE

Montaje / instalación del equipo	24
Colocación del cable	25
Ubicación del agua refrigerante	26
Conecte la unidad hidráulica	26

ARRANQUE Y PARADA

Antes de arrancar	27
Arranque	27
Parada	27
Desmontaje de la sierra	27
Limpieza	27

MANTENIMIENTO

Mantenimiento	28
Engrasado	28
Reparaciones	28

DATOS TECNICOS

CS 2512	29
Declaración CE de conformidad	30

PRESENTACIÓN

Apreciado cliente:

Gracias por elegir un producto Husqvarna.

Esperamos que su máquina le proporcione plena satisfacción y le sirva de ayuda por mucho tiempo en adelante. La adquisición de alguno de nuestros productos da acceso a asistencia profesional con reparaciones y servicio. Si la máquina no fue adquirida en un distribuidor oficial, preguntar en la tienda de compra la dirección del taller de servicio más cercano.

Este manual de instrucciones es un documento importante. Procure tenerlo siempre a mano en el lugar de trabajo. Siguiendo sus instrucciones (de uso, servicio, mantenimiento, etcétera) puede alargar considerablemente la vida útil de la máquina e incrementar su valor de reventa. Si vende su máquina, entregue el manual de instrucciones al nuevo propietario.

Más de 300 años de innovación

La fundación de la empresa sueca Husqvarna AB data del año 1689, cuando el Rey Karl XI encargó la construcción de una fábrica para la fabricación de mosquetes. En ese momento se establecieron los cimientos de la experiencia tecnológica en la que se basan muchos de los productos punteros en el mundo en el sector de las armas de caza, bicicletas, motocicletas, electrodomésticos, máquinas de coser y productos para exteriores.

Husqvarna es líder internacional en productos motorizados para exteriores destinados a la silvicultura, el mantenimiento de parques y el cuidado del césped y del jardín, así como equipos de corte y herramientas de diamante para el sector de la construcción y la piedra.

Responsabilidad del usuario

El propietario / empresario es el responsable de asegurarse de que el usuario tiene los conocimientos necesarios para utilizar la máquina con seguridad. Los supervisores y los usuarios deben haber leído y entendido el manual de instrucciones. Deben tener conocimiento de lo siguiente:

- Las instrucciones de seguridad de la máquina.
- Las aplicaciones y las limitaciones de la máquina.
- El modo de uso y de mantenimiento de la máquina.

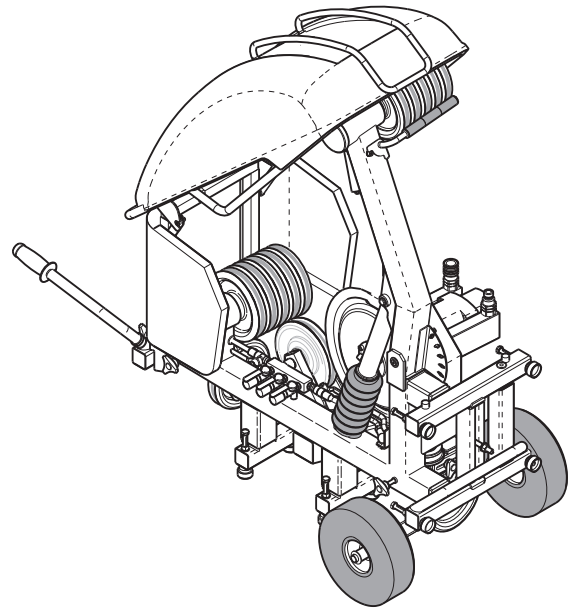
La utilización de esta máquina podría estar regulada por la legislación nacional vigente. Infórmese sobre la legislación vigente en el lugar donde trabaja antes de empezar a utilizar la máquina.

Los derechos que se reserva el fabricante.

Toda la información y todos los datos contenidos en este manual de instrucciones son vigentes en la fecha de impresión del manual.

Husqvarna AB trabaja constantemente para perfeccionar sus productos y se reserva, por lo tanto, el derecho a introducir modificaciones en la construcción y el diseño sin previo aviso.

CS 2512



Husqvarna CS 2512 está diseñada para utilizar junto con el equipo hidráulico PP 455 E o Husqvarna RC 455. Husqvarna CS 2512 es una sierra de cable potente y de fácil manejo con capacidad para trabajos verdaderamente grandes, pero es lo suficientemente compacta y móvil para hacer trabajos pequeños. La sierra puede utilizarse de muchas formas diferentes, en el suelo y montada en pared.

Gracias al diseño cuidadoso de la CS 2512, con la rueda motriz situada en el lado de salida de la máquina, el cable siempre está tensado aunque la fuerza de alimentación sea baja. Esta característica combinada con la válvula de presión ajustable proporciona un control preciso del corte y unas prestaciones superiores.

La máquina se puede instalar en posición vertical u horizontal y es posible hacer muchos cortes directamente sin utilizar ruedas de retorno externas.

Un equipo de sierra completo consta de:

- Una unidad de sierra
- 1 caja de accesorios
- 1 llave de 18 mm
- 1 bloque de reducción de presión
- 1 goma de desgaste extra para rueda de depósito
- 1 cepillo de limpieza

PRESENTACIÓN

Accesorios

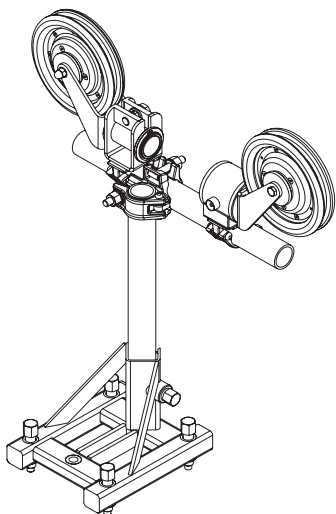
Lanza de agua

Se conecta en las conexiones de agua de la sierra y se utiliza para dirigir el agua refrigerante al interior del corte para enfriar el cable y ligar el polvo de hormigón.



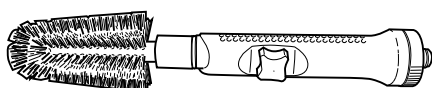
Ruedas de retorno

Las ruedas de retorno de Husqvarna están diseñadas para dirigir fácilmente el cable de la forma más eficaz posible. Utilizando las ruedas de retorno se puede reducir el número de esquinas agudas alrededor de las que cortar, con lo que se utiliza más fuerza de corte para cortar material.

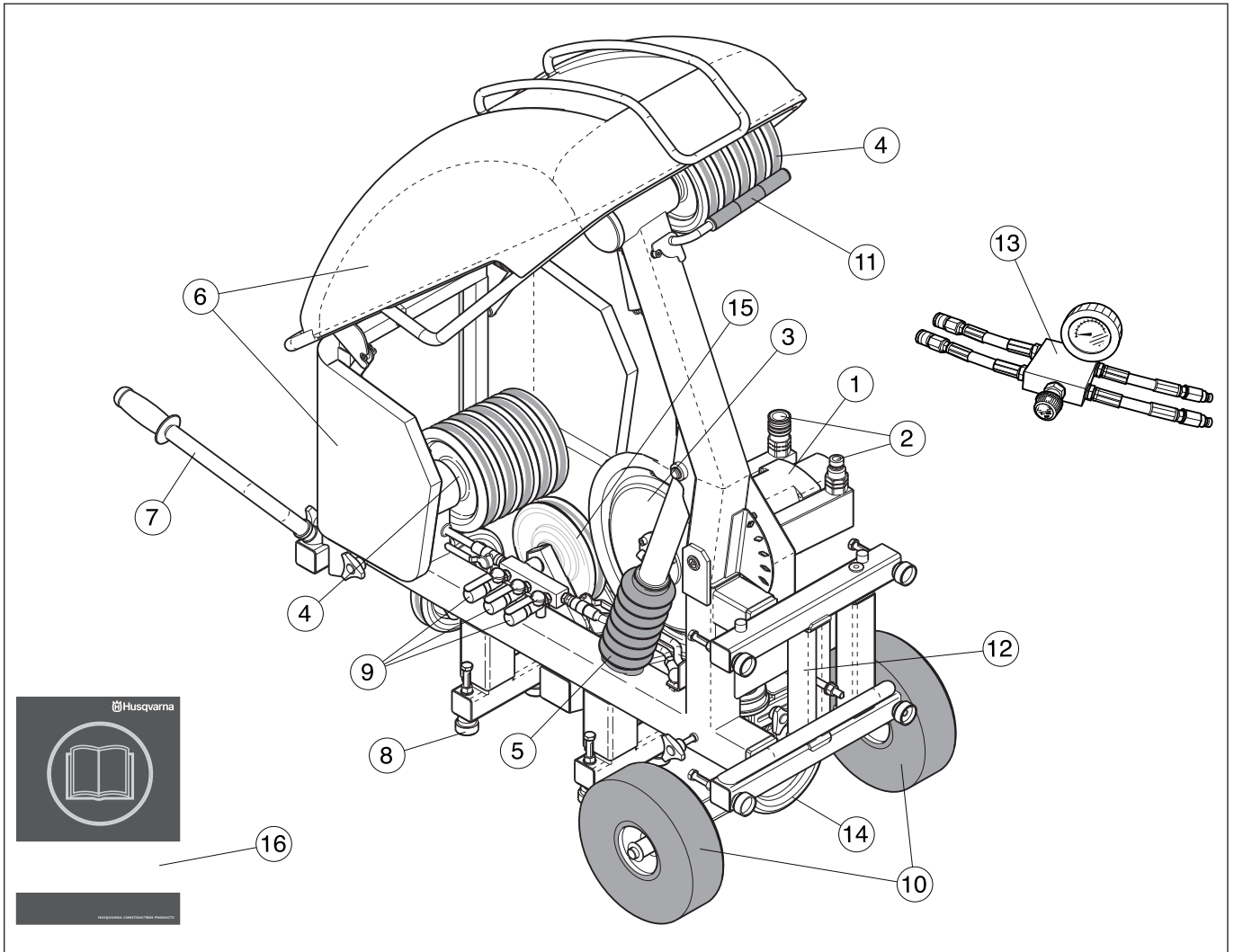


Cepillo de limpieza

Se puede conectar en una manguera de agua y es recomendable utilizarlo para limpiar la máquina después de usarla.



PRESENTACIÓN



Componentes de la sierra de alambre

- | | |
|---|-----------------------------------|
| 1 Motor hidráulico | 9 Conexión de agua |
| 2 Conexiones de las mangueras hidráulicas | 10 Ruedas de goma |
| 3 Rueda motriz | 11 Brazo de cable |
| 4 Depósito de cable | 12 Viga de anclaje |
| 5 Cilindro del depósito | 13 Bloque de reducción de presión |
| 6 Protección | 14 Ruedas articuladas |
| 7 Mango de transporte | 15 Rueda de dirección |
| 8 Tornillos de ajuste | 16 Manual de instrucciones |

FUNCIONAMIENTO

Equipo de protección

Generalidades

No use nunca una máquina si no tiene posibilidad de pedir auxilio si se produce un accidente.

Equipo de protección personal

Para trabajar con la máquina debe utilizarse un equipo de protección personal homologado. El equipo de protección personal no elimina el riesgo de lesiones, pero reduce su efecto en caso de accidente. Pida a su distribuidor que le asesore en la elección del equipo.



¡ATENCIÓN! El uso de productos que cortan, pulen, taladran, alisan o forman materiales puede generar polvo y vapores que pueden contener sustancias químicas dañinas.

Averiguar la composición del material con que se trabaja y usar una máscara respiratoria adecuada.

La exposición prolongada al ruido puede causar daños crónicos en el oído. Por consiguiente, use siempre protectores auriculares homologados. Cuando use protección auditiva preste siempre atención a las señales o llamados de advertencia. Sáquese siempre la protección auditiva inmediatamente después de parar el motor.

Existe siempre riesgo de accidentes por apriete al trabajar con aparatos con piezas móviles. Usar guantes protectores para evitar lesiones. Tener en cuenta que las ropas, el pelo largo y las joyas pueden atascarse en piezas móviles.

Utilice siempre:

- Casco protector homologado
- Protectores auriculares
- Gafas protectoras o visor
- Máscara respiratoria
- Guantes resistentes de agarre seguro.
- Prendas de vestir ceñidas, resistentes y cómodas que permitan una libertad de movimientos total.
- Botas con puntera de acero y suela antideslizante.

Otros equipos de protección



¡IMPORTANTE! Mientras trabaja con la máquina, pueden producirse chispas que podrían ocasionar un incendio. Tenga siempre a mano herramientas para la extinción de incendios.

- Extintor de incendios
- Tenga siempre a mano el equipo de primeros auxilios.

Instrucciones generales de seguridad

Este apartado trata las normas de seguridad básicas para trabajar con el dispositivo. Esta información no sustituye en ningún caso los conocimientos y la experiencia de un profesional.

- Lea detenidamente el manual de instrucciones y asegúrese de entender su contenido antes de utilizar la máquina.
- Tenga en cuenta que es usted, como usuario, el responsable de no exponer a riesgos o accidentes a las personas y a su propiedad.
- La máquina debe mantenerse limpia. Los letreros y las pegatinas deben ser legibles en su totalidad.

Emplee siempre el sentido común

Es imposible abarcar todas las situaciones en las que puede encontrarse. Utilice siempre el equipo con cuidado y sentido común.

Si se encuentra en alguna situación que le haga sentirse inseguro, deténgase y consulte con un experto. Consulte a su distribuidor, al taller de servicio técnico o a un usuario experimentado. No emplee la máquina en aplicaciones para las que no se considere plenamente cualificado.



¡ATENCIÓN! La máquina, si se utiliza de forma errónea o descuidada, puede ser una herramienta peligrosa que puede causar daños graves e incluso la muerte al usuario y a otras personas.

No permita bajo ningún concepto el empleo o mantenimiento de la máquina por los niños u otras personas no instruidas en el manejo de la misma.

Nunca deje que terceros utilicen la máquina sin asegurarse primero de que hayan entendido el contenido de este manual de instrucciones.

Nunca utilice la máquina si está cansado, si ha ingerido alcohol o si toma medicamentos que puedan afectarle la vista, su capacidad de discernimiento o el control del cuerpo.

FUNCIONAMIENTO



¡ATENCIÓN! Las modificaciones y/o el uso de accesorios no autorizados comportan riesgo de daños personales graves y peligro de muerte para el usuario y otras personas. Bajo ninguna circunstancia debe modificarse la configuración original de la máquina sin autorización del fabricante.

No modifique nunca esta máquina de forma que se desvíe de la versión original, y no la utilice si parece haber sido modificada por otras personas.

No utilice nunca una máquina defectuosa. Siga las instrucciones de mantenimiento, control y servicio de este manual. Algunas medidas de mantenimiento y servicio deben ser efectuadas por especialistas formados y cualificados. Vea las instrucciones bajo el título Mantenimiento.

Utilizar siempre recambios originales.

Seguridad en el área de trabajo



¡ATENCIÓN! La distancia de seguridad con respecto a todas las piezas móviles es de un mínimo de 1,5 m. Usted es el responsable de que no haya personas y animales dentro de la zona de trabajo.

- Compruebe el entorno para asegurarse de que nada pueda influir en su control de la máquina.
- Asegúrese de que nada ni nadie puede entrar en contacto con el equipo de corte o recibir el impacto de una pieza en caso de que el cable se rompa.
- Asegure la zona de trabajo con protecciones adecuadas si hay peligro de que salgan expulsadas partes de la pieza de trabajo. Impedir el acceso cercando la zona de trabajo y procurar que no haya riesgo de daños personales o materiales.
- Asegúrese de que no haya tuberías o cables eléctricos en la zona de trabajo o en el material que vaya a cortar.
- Compruebe que los cables eléctricos que haya en el área de trabajo no tengan tensión.
- Controle que la zona de trabajo esté bien iluminada para lograr un entorno seguro.
- No trabaje en condiciones atmosféricas desfavorables como niebla, lluvia intensa, tempestad, frío intenso, etc. Trabajar con mal tiempo es cansador y puede crear condiciones peligrosas, por ejemplo suelo resbaladizo.

Técnica básica de trabajo

- Esta máquina está diseñada y prevista para serrar hormigón, ladrillos y distintos tipos de piedra. Cualquier otro uso se considerará inadecuado.
- Esta máquina está diseñada para utilizarse solo junto con el modelo PP 455E de Husqvarna, o con una unidad conectada al modelo RC 455 de Husqvarna. Está prohibido utilizarla de cualquier otra forma.
- La máquina está destinada al uso por operadores experimentados, en aplicaciones industriales.
- No modificar nunca los dispositivos de seguridad. Comprobar regularmente que funcionan como es debido. La máquina no se debe operar con dispositivos de seguridad defectuosos o ausentes.
- Antes de arrancar la máquina, controle siempre que la protección está correctamente montada. No corte nunca sin utilizar la protección.
- No utilice nunca un cable dañado o desgastado.
- Utilice únicamente el cable recomendado por el fabricante. Vea las instrucciones del apartado «Datos técnicos».
- No corte nunca sin utilizar la refrigeración hidráulica. Si el cable no está bien refrigerado, los segmentos podrían sobrecalentarse, lo que produce un mayor desgaste. En el peor de los casos, los segmentos podrían soltarse del cable y lesionar a las personas que se encuentren cerca de la sierra.
- Compruebe que todos los acoplamientos y conexiones, y las mangueras hidráulicas están intactos.
- Mantenga limpias de suciedad las mangueras y conexiones hidráulicas. No maltrate las mangueras.
- No utilice mangueras torcidas, gastadas o defectuosas.
- Compruebe que las mangueras estén conectadas adecuadamente en la herramienta y que las conexiones hidráulicas cierren como es debido antes de presurizar el sistema hidráulico. Las conexiones se fijan girando el manguito exterior del acoplamiento hembra para apartar la ranura de la bola.
- Revise a diario la máquina, los acoplamientos y las mangueras hidráulicas para ver si hay fugas. Una grieta o rotura puede producir una 'inyección de aceite' en el cuerpo o daños personales graves de otro tipo.
- No desacople nunca mangueras hidráulicas sin antes haber desactivado el equipo hidráulico y parado totalmente el motor.
- No se debe sobrepasar el caudal ni la presión de aceite especificados para las herramientas que se utilizan. Un caudal o presión demasiado altos pueden causar fugas o explosión.
- Para usar herramientas hidráulicas en o cerca de cables eléctricos deben usarse mangueras marcadas y homologadas como 'no conductoras de electricidad'. El uso de mangueras de otro tipo comporta peligro de muerte o daños personales graves.
- Al cambiar mangueras deben usarse mangueras 'no conductoras de electricidad'. Las mangueras deben revisarse regularmente por lo que respecta al aislamiento de conducción eléctrica, según instrucciones especiales.

FUNCIONAMIENTO

- Antes de arrancar la sierra, deje el sistema hidráulico funcionando hasta que alcance la temperatura de funcionamiento (30°C). De este modo, se reduce la presión de retorno y el desgaste en general.
- Cerciórese siempre de tener una posición de trabajo segura y firme.
- Antes de empezar a cortar, todos los cortes que se van a hacer deben marcarse con claridad y planificarse para que se puedan hacer sin riesgo de dañar a personas o la máquina.
- No abandonar nunca la máquina sin vigilar, con el motor en marcha.
- Nunca utilice la sierra sin tener al alcance el botón de parada de emergencia de la unidad hidráulica o el botón de parada del control remoto. Consulte el manual de la unidad hidráulica.
- Al trabajar con las máquinas, procure siempre que haya alguien cerca, que pueda prestar ayuda en caso de accidente.
- Proceda con cuidado en las elevaciones. Las piezas son pesadas, por lo que hay riesgo de daños por apriete y daños personales de otro tipo.

Transporte y almacenamiento

- Sujete bien el equipo durante el transporte para evitar daños y accidentes.
- Desconecte siempre la alimentación de la unidad hidráulica y las mangueras que van hasta la unidad de serrado antes de mover el equipo.
- Guarde el equipo en un lugar seguro fuera del alcance de los niños y las personas no autorizadas.

MONTAJE

Montaje / instalación del equipo



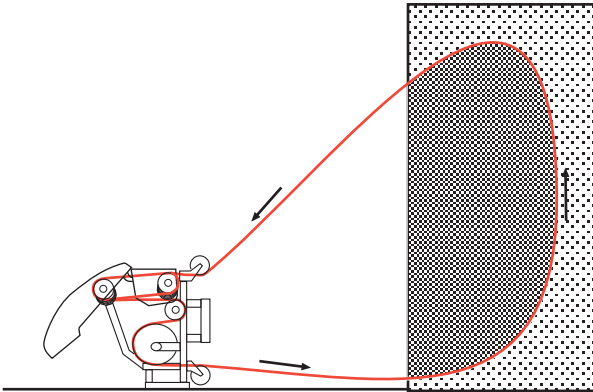
¡ATENCIÓN! Desacoplar las mangueras hidráulicas.



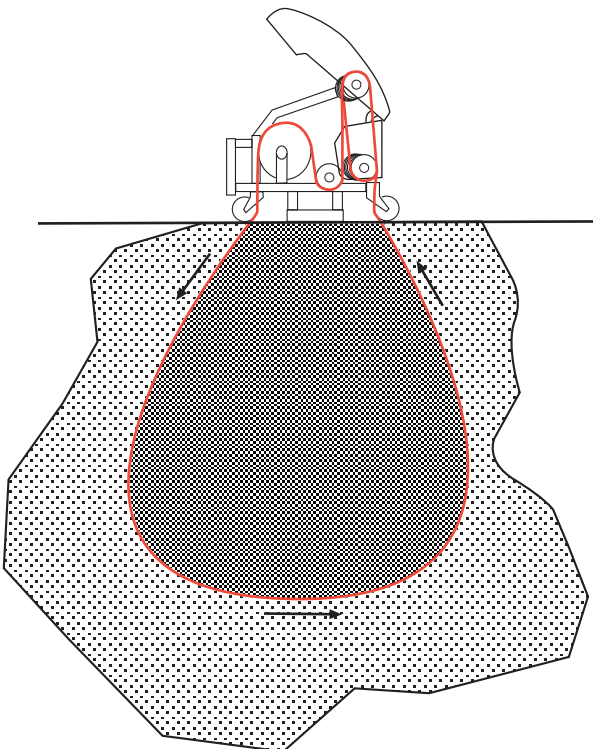
¡ATENCIÓN! Coloque siempre la sierra de forma que usted pueda situarse sin riesgo de que le toque un cable cortado. Asegúrese también de impedir la presencia en la zona de trabajo de personas ajenas al trabajo durante el corte. El impacto de un cable cortado comporta peligro de muerte o daños personales graves.

Antes de montar la sierra hay que planificar cuidadosamente el corte para poder realizarlo de la forma más sencilla posible.

Husqvarna CS 2512 se puede montar para hacer cortes horizontales o verticales. La sierra se monta vertical para hacer cortes verticales.



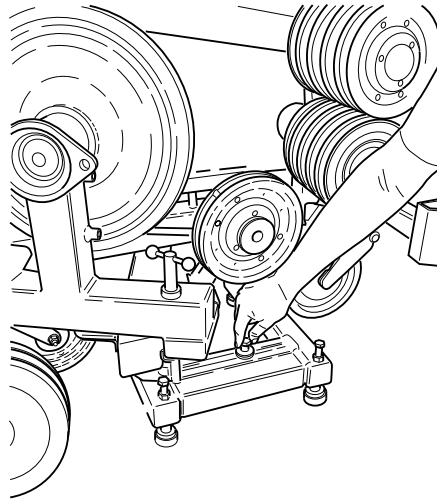
La sierra se monta yacente para hacer cortes a la altura del suelo y para cortes en el suelo.



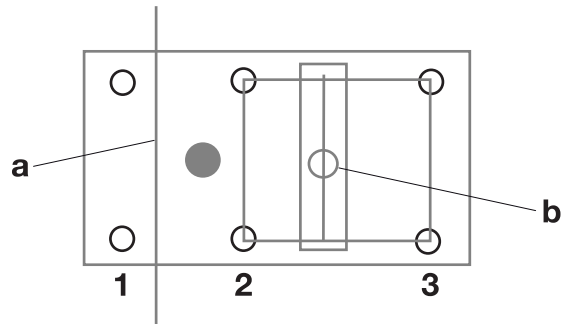
En caso necesario, taladre agujeros para insertar el cable a través del material que se va a cortar.

Coloque la sierra de forma adecuada frente al corte planificado. Cuando la sierra esté colocada, fíjela apretándola con un perno de anclaje.

Cuando la sierra esté fijada en el suelo, enrosque las patas de ajuste para que la sierra quede firme.



Tenga en cuenta que el centro de gravedad de la máquina (el círculo gris) está entre el primer y segundo par de patas de ajuste (los pares de patas de ajuste tienen las marcas 1-3) para cortes yacentes (a). Para hacer cortes debajo de la máquina es importante anclarla bien con el perno de anclaje (b) dado que hay que usar los pares de patas de ajuste 2 y 3. (El par de patas de ajuste 1 apoyará eventualmente la parte cortada.) Si la sierra no está bien anclada, volcará cuando se suelte el material que soporta el par de patas de ajuste 1.



En caso necesario, montar ruedas de retorno para facilitar el corte. Utilizando ruedas de retorno se puede reducir el número de esquinas agudas por las que pasa el cable, con lo que éste se desgasta menos y además es más fácil arrancar la sierra. Utilizando ruedas de retorno también se puede guiar el cable en diferentes direcciones sin necesidad de mover la unidad de sierra.

Utilice también ruedas de retorno para captar el cable al terminar el corte.

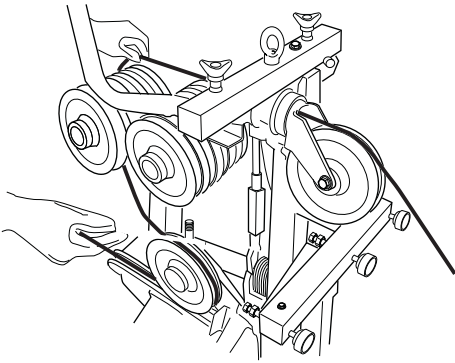
MONTAJE

Colocación del cable

AVISO Para no crear desgaste innecesario, un cable usado debe accionarse siempre en la dirección en que ha sido utilizado anteriormente.

Para facilitar el montaje del cable se puede sacar fácilmente la protección. A continuación coloque el cable de esta forma:

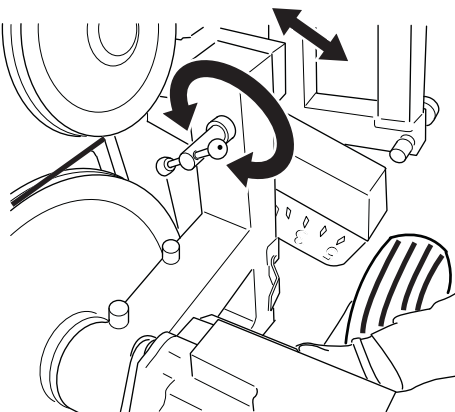
- 1 Compruebe que el depósito está en posición mínima.
- 2 Coloque el cable alrededor de la pieza de trabajo; en caso necesario a través de agujeros taladrados, y de vuelta a la sierra.
- 3 Inserte el cable en el agujero de la rueda articulada y alrededor de un número adecuado de pares de ruedas en el depósito.



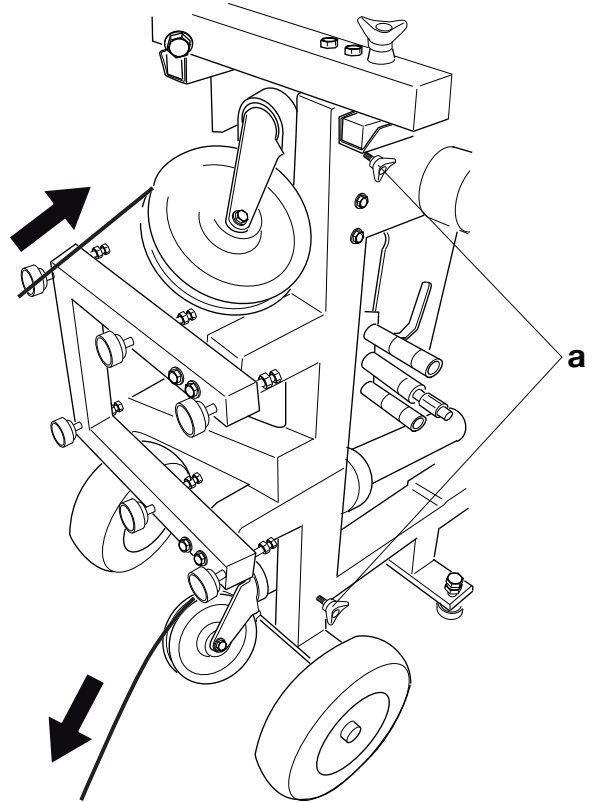
- 4 Ajuste la unidad de rueda motriz según el número de pares de ruedas que se utilizan en el depósito:

Suelte el brazo girando la manija a izquierdas. A continuación gire la unidad de rueda motriz para que el brazo quede alineado con las marcas de la sierra. Luego fije la unidad de rueda motriz girando de vuelta la manija.

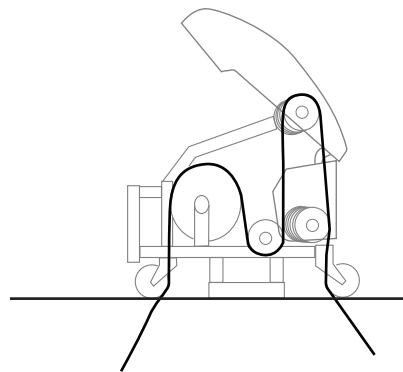
Normalmente sólo se utiliza un par de ruedas al iniciar el corte.



- 5 Coloque el cable alrededor de la rueda motriz y a través del agujero de la otra rueda articulada. La rueda articulada se puede girar y fijar en la posición deseada apretando con la manija marcada (a).



- 6 Antes de unir los empalmes del cable, hay que retorcer el cable 1 ó 2 vueltas por metro de cable utilizado. Es importante retorcer el cable en el mismo sentido en que es torsionado. Esto se hace para que el desgaste en los segmentos de diamante del cable sea lo más regular posible.
- 7 Fijar la unión de cable con un pasador. Si el cable no tiene casquillos extremos, hay que enroscar estos casquillos. Para ello se utilizan unos alicates para cable especiales. Si usted no está seguro sobre el modelo que ha de usar, consulte con su distribuidor de Husqvarna.
- 8 Si el cable está correctamente trazado, debe basar por la máquina igual que en la figura abajo:

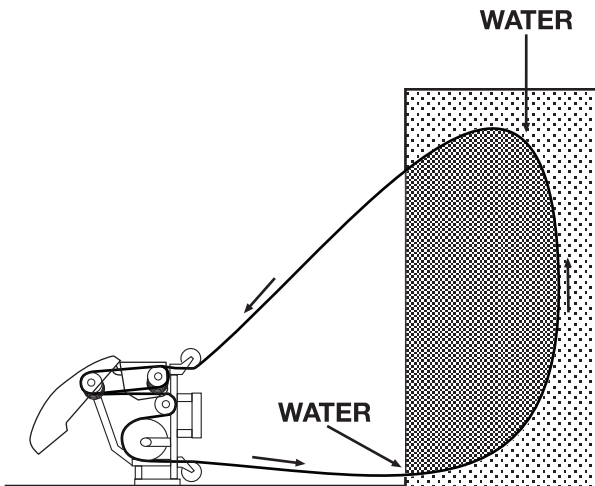


MONTAJE

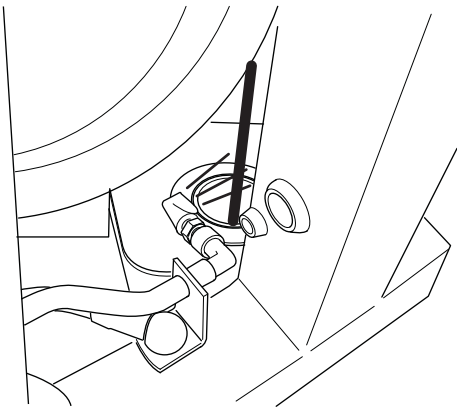
Ubicación del agua refrigerante

AVISO Para que el agua enfríe el cable debidamente durante el corte, es necesario ajustar la posición del agua refrigerante a medida que se va cortando material. Acuérdesese de parar siempre la máquina para hacer este ajuste.

Husqvarna CS 2512 tiene dos tomas para agua refrigerante. Es adecuado acoplar en ellas una lanza de agua Husqvarna. Posteriormente la lanza de agua se coloca en la entrada del cable en el hormigón. De este modo el cable arrastra el agua al interior del corte, con lo que se liga el polvo de hormigón y el cable es enfriado eficazmente.



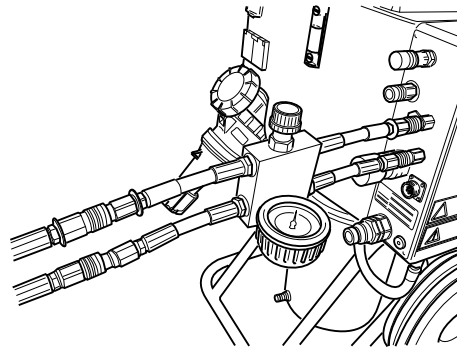
Además del agua refrigerante de la lanza de agua, el cable es lavado junto a las dos ruedas articuladas de la máquina. Así se mantiene el cable lo más limpio posible, con lo que la sierra puede trabajar con menos pérdidas por fricción y mayor rendimiento debido a que el cable está más limpio.



Conecte la unidad hidráulica

Cuando la sierra esté adecuadamente montada, hay que conectarla a un equipo hidráulico. Husqvarna CS 2512 está diseñada para ser empleada junto con Husqvarna PP 455 o Husqvarna RC 455.

- 1 Compruebe que el equipo hidráulico está conectado a corriente.
- 2 Conecte el agua refrigerante en el motor del equipo hidráulico.
- 3 Compruebe que el display del mando a distancia muestra "CONECTAR CONJUNTO MANGUERAS". De no ser así, siga las instrucciones del manual de instrucciones de PP 455E o RC 455.
- 4 Monte el bloque de reducción de presión en el equipo hidráulico siguiendo las instrucciones en el bloque.
- 5 Conecte dos de las mangueras hidráulicas finas en el bloque de reducción de presión. La manguera del conjunto de mangueras que está marcada con una arandela roja en el acoplamiento se debe conectar en la manguera del bloque de reducción de presión que también tiene arandela.



- 6 Fije las conexiones girando el manguito del acoplamiento hembra para apartar la ranura de la bola.
- 7 Monte las dos mangueras conectadas en el bloque de reducción de presión en las mangueras del cilindro de alimentación de la sierra. La manguera del conjunto de mangueras que está marcada con una arandela roja en el acoplamiento se debe conectar en la manguera de la sierra que también tiene arandela.
- 8 Conecte la manguera de agua en la entrada de agua de la sierra.
- 9 Monte las dos mangueras hidráulicas gruesas primero en el equipo hidráulico y después en las conexiones del motor de la sierra. Fije las conexiones girando el manguito del acoplamiento hembra para apartar la ranura de la bola.

NOTE!

Si los acoplamientos se atascan al montar, hay que soltarlos totalmente antes de volver a montarlos.

Procurar que los acoplamientos de las mangueras que no se utilizan no toquen directamente en el suelo.

Mantenga siempre los acoplamientos lo más limpios posible. Un acoplamiento limpio dura más.

ARRANQUE Y PARADA

Antes de arrancar

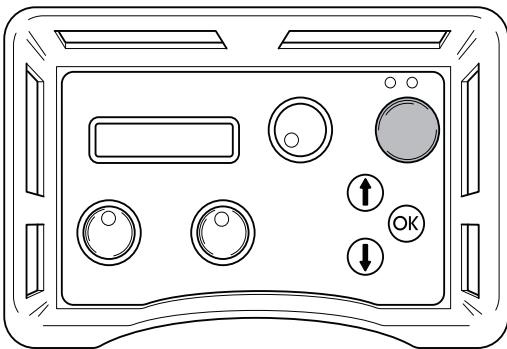
- Cerque el área en que va a cortar para impedir la entrada de personas ajenas al trabajo y evitar el riesgo de que sufran daños y que le estorben en el trabajo.
- Asegúrese de que todas las mangueras hidráulicas y todas las conexiones estén intactas y correctamente conectadas. Compruebe también que el sistema de refrigeración hidráulica esté correctamente conectado y activado.

Arranque

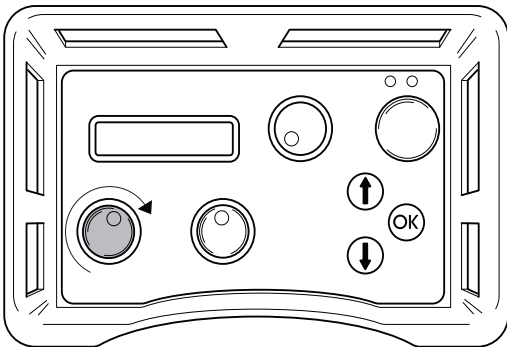
AVISO Para que el agua pueda refrigerar el cable como es debido durante las operaciones de corte, es esencial ajustar la posición del agua de refrigeración según se va cortando el material. Recuerde parar siempre la máquina cuando vaya a hacerlo.

Cuando estén instalados todos los equipos, se puede empezar a cortar. Procedimiento de puesta en marcha de la sierra para obtener una eficacia de corte óptima:

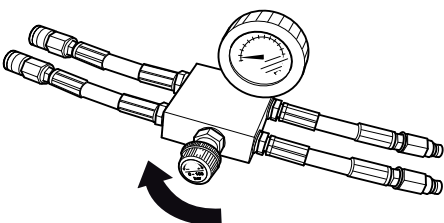
- 1 Cerrar la válvula del bloque de reducción de presión girando la manija a izquierdas hasta el tope y a continuación dos vueltas hacia atrás.
- 2 Poner en marcha el motor eléctrico pulsando una vez el botón verde del mando a distancia.



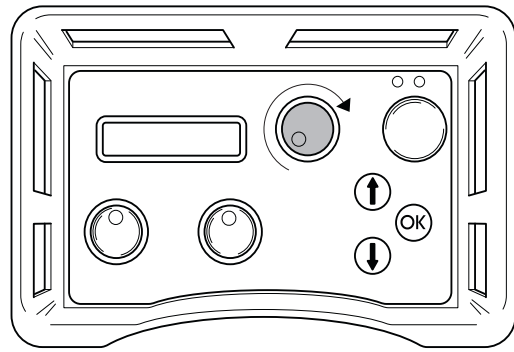
- 3 Ajustar al máximo el flujo de alimentación del equipo girando a derechas la manija del mando a distancia.



- 4 Tensar el cable girando con cuidado la manija del bloque de reducción de presión a derechas hasta que la tensión del cable sea la justa. Controlar constantemente que el cable esté bien colocado en todas las ruedas de la sierra.



- 5 Activar el accionamiento del cable girando a derechas la manija de contrarrotación del mando a distancia.



- 6 Incrementar con cuidado el régimen del motor girando la manija de contrarrotación. La presión de trabajo adecuada para el corte es normalmente de 100 y 130 bar pero varía dependiendo del número de pares de ruedas que se utilizan en el depósito, de la cantidad de cable acoplado y de la dureza del material que se corta.
- 7 La presión disminuye a medida que se corta el material. Esto se indica en la pantalla y entonces debe tensarse el carro. Para ello, gire el mando del bloque de reducción de presión en la dirección de las agujas del reloj.
- 8 La tensión del depósito es mostrada por un indicador en la máquina (en la figura, en posición mínima). Cuando el cilindro del depósito está totalmente tensado, hay que parar la máquina y colocar el cable alrededor de un nuevo par de ruedas. Luego, proseguir según lo indicado arriba.

Parada

- Disminuya la velocidad del alambre y deje que el motor se detenga por completo.
- Parar el motor eléctrico pulsando el botón verde del mando a distancia.

Desmontaje de la sierra

- Desconecte el cable eléctrico entrante del equipo hidráulico.
- Desacople las mangueras hidráulicas y la manguera de agua de la unidad de sierra.
- Recoja el brazo del carro.

Las demás medidas se hacen en orden inverso al montaje.

Limpieza

AVISO No utilice un equipo de limpieza a alta presión para limpiar la sierra.

Cuando se termina la operación de corte, debe limpiarse la sierra. Es importante limpiar todo el equipo de la sierra. No es mala idea desconectar la manguera de agua del brazo pivotante y utilizarla para limpiar la sierra. Si es necesario, también se puede utilizar el cepillo de limpieza facilitado o algo similar para limpiar el equipo. No utilice un equipo de limpieza a alta presión para limpiar la sierra.

Mantenimiento



¡NOTA! Los trabajos de control y/o mantenimiento deben efectuarse con las mangueras hidráulicas desacopladas.

El usuario sólo puede efectuar los trabajos de mantenimiento y servicio descritos en este manual. Los trabajos de mayor envergadura debe efectuarlos un taller de servicio oficial.

Además de las medidas de mantenimiento diario como la limpieza y lubricación, hay que hacer el servicio de la máquina. Después de 50 horas de corte hay que llevar la máquina a un taller autorizado de Husqvarna para hacer el servicio. Posteriormente, el servicio se hace cada 100 horas de funcionamiento. El servicio es importante para el usuario disponga de una máquina que funcione con la mayor eficacia posible durante largo tiempo.

Engrasado

Para que el cable funcione con la menor fricción posible, los ejes del carro se deben llenar de grasa. Llénelos de grasa cada 5-10 horas de funcionamiento. Utilice la grasa Canadian Petroleum OG2 o una similar.

Reparaciones



¡NOTA! Las reparaciones de todo tipo deben ser efectuadas por técnicos autorizados, únicamente. De este modo se evita someter a los operadores a grandes riesgos.

DATOS TECNICOS

CS 2512

Potencia en la rueda motriz (con PP 455), kW	20
Caudal de aceite hidráulico, l/min / gpm	65/17
Presión hidráulica máxima, bar/psi	230/3400
Presión hidráulica máxima recomendada durante el corte, bar/psi	130/1900
Longitud máxima del cable en el carro (2,4 m/conjunto de eje con ruedas), m	12
Dimensiones, empuñadura recogida y protección plegada (La. x An. x Al.), mm	1150x750x980
Peso, kg/lb	150/330
Engranaje de velocidad del cable 1, m/s / ft/s	20/66
Engranaje de velocidad del cable 2, m/s / ft/s	25/82
Emisiones de ruido (vea la nota 1)	
Nivel de potencia acústica medido dB(A)	94
Nivel de potencia acústica garantizado L _{WA} dB(A)	95
Niveles acústicos (vea la nota 2)	
Nivel de presión acústica en el oído del usuario, dB(A)	83

Nota 1: Emisiones sonoras en el entorno medidas como potencia sonora (L_{WA}) según la norma EN 15027/A1.

Nota 2: Nivel de presión sonora conforme a EN 15027/A1. Los datos referidos del nivel de presión sonora tienen una dispersión estadística habitual (desviación típica) de 1,0 dB (A).

Capacidad del carro

	Número de pares de ruedas del carro				
	1	2	3	4	5
Longitud MÍN. en la máquina, m	3,4	4,4	5,5	6,5	7,5
Longitud de amortiguación, m	2,4	4,8	7,2	9,6	12
Longitud MÁX. en la máquina, m	5,8	9,2	12,7	16,1	19,5

Cables recomendados

Husqvarna recomienda la utilización de los siguientes cables:

Husqvarna C710C	El cable C710C de Husqvarna es un cable galvanizado desarrollado para el corte de hormigón con mucho refuerzo. Los segmentos llevan muchos diamantes y tienen un menor diámetro (9,5 mm), lo que significa que el cable corta de forma muy eficiente. Este menor diámetro también implica que para terminar cortes difíciles se puede usar el modelo C710C.
Husqvarna C750C	El cable C750C de Husqvarna es un cable muy completo desarrollado para cortar hormigón armado. El cable se ha diseñado para utilizarlo con sierras de una potencia de salida de entre 10 y 25 kW.
Husqvarna C760C	Este es el cable de mayor calidad de Husqvarna, caracterizado por una larga vida útil, una alta velocidad de corte y una gran resistencia. El cable C760C de Husqvarna se puede utilizar para cortar todo tipo de hormigón armado, incluso cuando el trabajo sea muy exigente para el cable, como cuando se cortan puentes.
Husqvarna C790C	La fuerza de los segmentos de este cable hace del C790C de Husqvarna la mejor elección para cortar materiales blandos como mortero o cemento de piedra caliza poco reforzado.
Husqvarna C575J	El cable C575J de Husqvarna es un cable con segmentos galvanizados de 15 mm.
C1200M	El cable C1200M de Husqvarna es un cable desarrollado para cortar acero. Este cable se ha diseñado para su uso en situaciones muy exigentes. La utilización de la más avanzada técnica de sinterización ha proporcionado grandes ventajas en cuanto a velocidades de corte y vida útil. El cable se suministra con los extremos sueltos o unidos.

Si desea obtener más información sobre las diferentes herramientas de Husqvarna, póngase en contacto con el distribuidor de Husqvarna.

DATOS TECNICOS

Declaración CE de conformidad

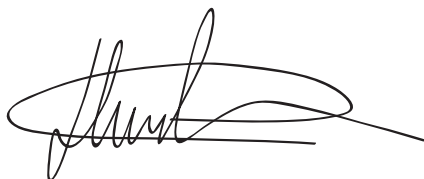
(Rige sólo para Europa)

Husqvarna AB, SE-433 81 Göteborg, Suecia, teléfono: +46-31-949000, declaramos que las **Husqvarna CS 2512** a partir del número de serie del año 2010 en adelante (el año se indica claramente en la placa de identificación, seguido del número de serie), cumplen con las siguientes disposiciones de la DIRECTIVA DEL CONSEJO:

- **2006/42/CE** «relativa a máquinas» del 17 de mayo de 2006.

Se han aplicado las siguientes normas: EN ISO 12100:2003, EN 15027/A1:2009, EN 982/A1:2008.

Husqvarna, 29 de diciembre de 2009



Henric Andersson

Vicepresidente, jefe de la sección de cortadoras y maquinaria para la construcción

Husqvarna AB

(Presentante autorizado de Husqvarna AB y responsable de la documentación técnica.)

SYMBOLERKLÄRUNG

Symbole am Gerät:

WARNUNG! Das Gerät kann falsch oder nachlässig angewendet gefährlich sein und zu schweren oder gar lebensgefährlichen Verletzungen des Benutzers oder anderer Personen führen.



Lesen Sie die Bedienungsanweisung sorgfältig durch und machen Sie sich mit dem Inhalt vertraut, bevor Sie das Gerät benutzen.



Benutzen Sie immer:

- Einen zugelassenen Schutzhelm
- Einen zugelassenen Gehörschutz
- Schutzbrille oder Visier
- Atemschutzmaske



Dieses Produkt stimmt mit den geltenden CE-Richtlinien überein.



Sonstige Symbole/Aufkleber am Gerät beziehen sich auf spezielle Zertifizierungsanforderungen, die in bestimmten Ländern gelten.

Erläuterung der Warnstufen

Es bestehen drei unterschiedliche Warnstufen.

WARNUNG!



WARNUNG! Nichtbeachtung der Anweisungen in diesem Handbuch kann zu Verletzungen bzw. zum Tod des Bedieners oder zu Beschädigungen in der Umgebung führen.

ACHTUNG!



ACHTUNG! Nichtbeachtung der Anweisungen in diesem Handbuch kann zur Verletzung des Bedieners bzw. zu Beschädigungen in der Umgebung führen.

HINWEIS!

HINWEIS! Nichtbeachtung der Anweisungen in diesem Handbuch kann zu Beschädigungen der Umgebung bzw. der Maschine führen.

INHALT

Inhalt

SYMBOLERKLÄRUNG

Symbole am Gerät:	31
Erläuterung der Warnstufen	31

INHALT

Inhalt	32
--------------	----

VORSTELLUNG

Sehr geehrter Kunde!	33
CS 2512	33

VORSTELLUNG

Informationen zur Seilsäge	35
----------------------------------	----

BETRIEB

Schutzrüstung	36
Allgemeine Sicherheitsvorschriften	36

MONTAGE

Ausrüstung montieren bzw. installieren	39
Seil einlegen	40
Kühlwasserpositionierung	41
Hydraulikaggregat anschließen	41

STARTEN UND STOPPEN

Vor dem Start	42
Starten	42
Stoppen	42
Demontage des Trennschleifers	42
Reinigung	42

WARTUNG

Wartung	43
Schmierung	43
Reparaturen	43

TECHNISCHE DATEN

CS 2512	44
EG-Konformitätserklärung	45

Sehr geehrter Kunde!

Vielen Dank, dass Sie sich für ein Produkt von Husqvarna entschieden haben.

Wir hoffen, dass Sie mit Ihrer Maschine über lange Jahre zufrieden sein werden. Mit dem Erwerb unserer Produkte erhalten Sie professionelle Hilfe bei Reparaturen und Service. Haben Sie das Gerät nicht bei einem unserer Vertragshändler gekauft, fragen Sie dort nach der nächsten Servicewerkstatt.

Diese Bedienungsanleitung ist ein wertvolles Dokument. Halten Sie die Bedienungsanleitung stets griffbereit. Die genaue Befolgung ihres Inhalts (Verwendung, Service, Wartung usw.) verlängert die Lebensdauer der Maschine erheblich und erhöht zudem ihren Wiederverkaufswert. Sollten Sie Ihre Maschine verkaufen, händigen Sie dem neuen Besitzer bitte auch die Bedienungsanleitung aus.

Über 300 Jahre Innovationsgeschichte

Husqvarna ist ein schwedisches Unternehmen, dessen Geschichte bis ins Jahr 1689 zurückreicht, als König Karl XI eine Fabrik errichten ließ, in der Musketen gefertigt werden sollten. Damit wurden die Grundlagen einer erfolgreichen Firmengeschichte gelegt, in deren Verlauf bahnbrechende technische Neuerungen in Bereichen wie Waffensysteme, Fahr- und Motorräder, Haushaltsgeräte, Nähmaschinen und Gartenprodukte auf den Markt gebracht werden konnten.

Husqvarna gilt als führender Anbieter von Geräten zur Garten- und Waldpflege sowie von Schneidausrüstungen und Diamantwerkzeugen für die Bau- und Steinindustrie.

Sorgfaltspflicht des Betreibers

Der Betreiber ist verpflichtet, nur entsprechend ausgebildete Personen mit der Bedienung der Maschine zu betrauen. Aufsichtspersonen und Bediener haben sämtliche Anweisungen in diesem Handbuch zur Kenntnis zu nehmen. Insbesondere ist auf Folgendes zu achten:

- Sicherheitshinweise
- Vorgesehene Anwendungsbereiche
- Nutzungs- und Wartungshinweise

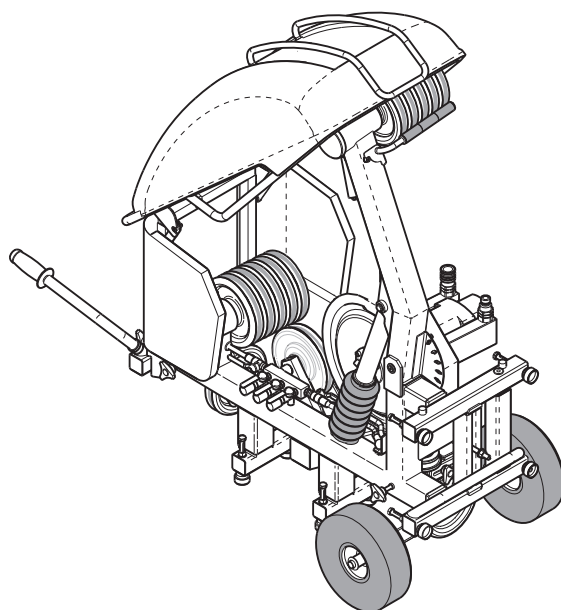
Die Benutzung dieser Maschine könnte durch ein nationales Gesetz geregelt sein. Finden Sie heraus, welche Gesetze Anwendung finden, bevor Sie mit der Benutzung der Maschine beginnen.

Vorbehaltsbestimmungen des Herstellers

Alle Informationen und Daten dieser Bedienungsanleitung galten zum Zeitpunkt der Drucklegung.

Die Husqvarna AB arbeitet ständig an der Weiterentwicklung ihrer Produkte und behält sich daher das Recht auf Änderungen ohne vorherige Ankündigung, z. B. von Form und Aussehen, vor.

CS 2512



Husqvarna CS 2512 ist für die gemeinsame Verwendung mit dem Hydraulikaggregat PP 455 E oder Husqvarna RC 455 vorgesehen. Husqvarna CS 2512 ist eine leistungsstarke und einfach bedienbare Seilsäge, die anspruchsvollen Aufgaben gewachsen ist. Gleichzeitig besticht das Modell durch seine kompakten Abmessungen, die eine mobile Nutzung für kleinere Aufgaben ermöglichen. Die Säge ist auf unterschiedliche Arten einsetzbar: auf dem Boden oder montiert an der Wand.

Dank der durchdachten Konstruktion des Modells CS 2512 mit dem Antriebsrad auf der Ausgangsseite der Maschine ist das Seil auch bei niedriger Vorschubkraft stets gespannt. Diese Bauweise sowie das regelbare Druckventil erlauben eine präzise Sägesteuerung und eine überlegene Leistung.

Die Maschine lässt sich vertikal und horizontal anbringen. Viele Schnitte können direkt und ohne externe Umlenkräder ausgeführt werden.

Zu einer kompletten Trennschleiferausrüstung gehören:

- Eine Schneideinheit
- 1 x Zubehörkoffer
- 1 x 18-mm-Schlüssel
- 1 x Druckreduzierblock
- 1 x zusätzlicher Verschleißgummi für das Magazinrad
- 1 x Reinigungsbürste

Zusätze

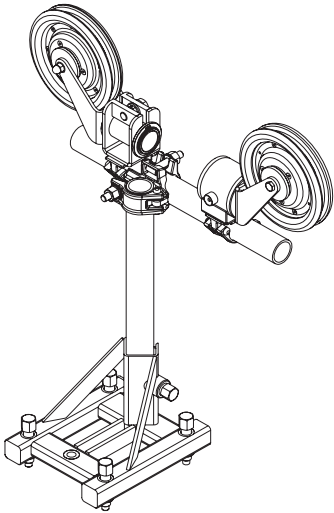
Wasserlanze

Diese Komponente wird mit dem Wasseranschlüssen an der Säge verbunden und leitet Kühlwasser zum Schnitt, um das Seil zu kühlen und Betonstaub zu binden.



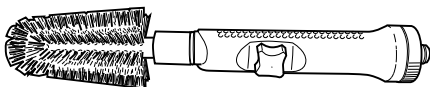
Umlenkräder

Mit Husqvarna-Umlenkrädern lässt sich der Seilverlauf einfach und effektiv festlegen. Durch den Einsatz von Umlenkrädern lässt sich die Anzahl spitzer Kanten beim Sägen verringern, wodurch eine höhere Sägekraft für die Materialabtragung verwendet werden kann.

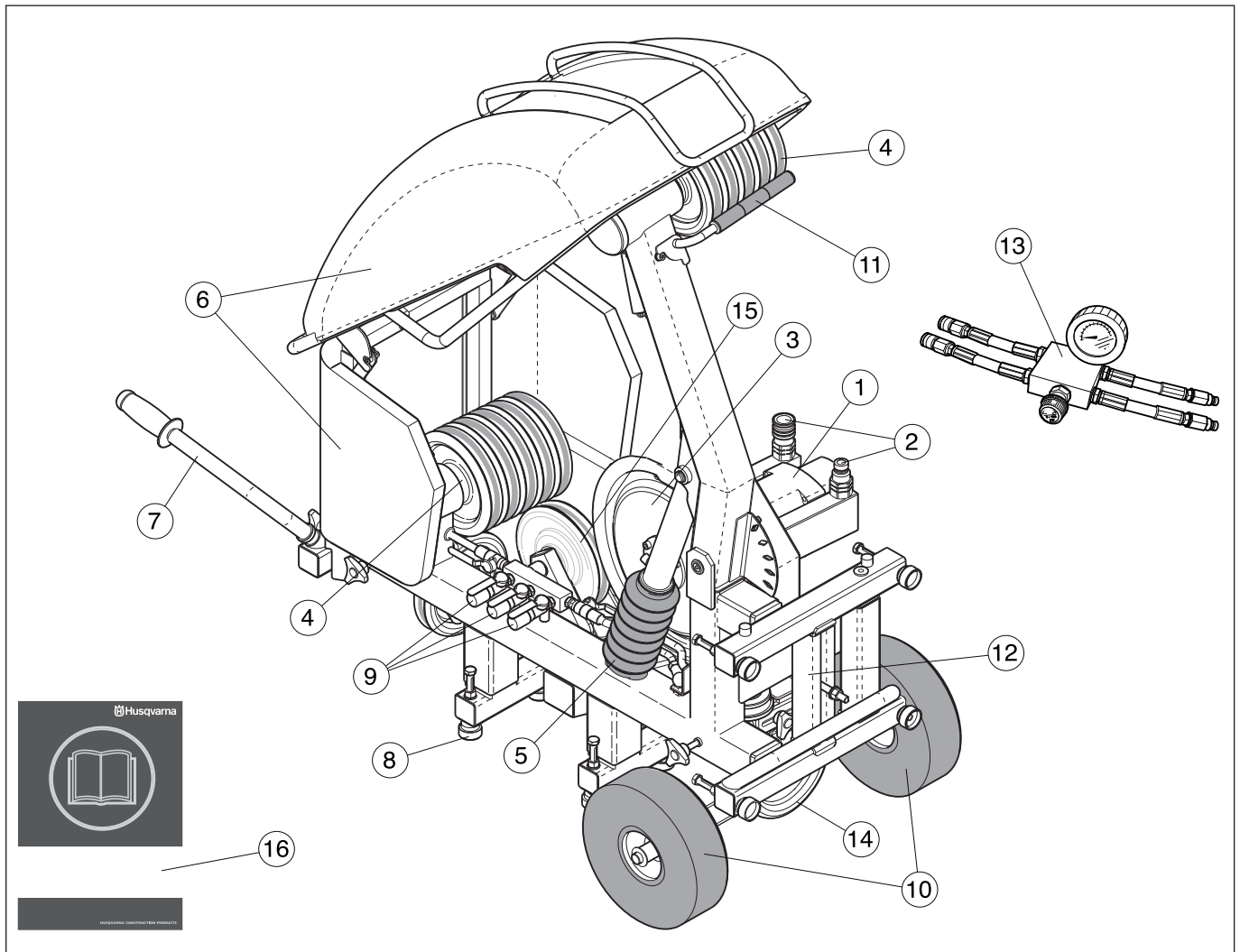


Reinigungsbürste

Die Bürste kann am Wasserschlauch angebracht werden. Sie wird vorzugsweise zur Reinigung der Maschine nach der Nutzung eingesetzt.



VORSTELLUNG



Informationen zur Seilsäge

- | | | | |
|---|-----------------------------|----|---------------------|
| 1 | Hydraulikmotor | 9 | Wasseranschluss |
| 2 | Hydraulikschlauchanschlüsse | 10 | Gummiräder |
| 3 | Antriebsrad | 11 | Seilstrebe |
| 4 | Seilmagazin | 12 | Ankerbalken |
| 5 | Magazinzyylinder | 13 | Druckreduzierblock |
| 6 | Schutz | 14 | Lenkrollen |
| 7 | Tragegriff | 15 | Führungsrad |
| 8 | Stellschrauben | 16 | Bedienungsanweisung |

Schutzausrüstung

Allgemeines

Das Gerät niemals benutzen, wenn nicht die Möglichkeit besteht, im Falle eines Unfalls Hilfe herbeizurufen.

Persönliche Schutzausrüstung

Bei der Benutzung des Gerätes muss die vorgeschriebene persönliche Schutzausrüstung angewendet werden. Die persönliche Schutzausrüstung beseitigt nicht die Unfallgefahr, begrenzt aber den Umfang der Verletzungen und Schäden. Bei der Wahl der Schutzausrüstung einen Fachhändler um Rat fragen.



WARNUNG! Bei der Nutzung von Produkten, die schneiden, schleifen, bohren, feine Schleifvorgänge ausführen oder Material formen kann es zu einer Bildung von Staub und Dämpfen kommen, die schädliche chemische Substanzen enthalten. Informieren Sie sich über die Beschaffenheit des Materials, mit dem Sie arbeiten und tragen Sie einen geeigneten Atemschutz.

Eine längerfristige Beschallung mit Lärm kann zu bleibenden Gehörschäden führen. Daher stets einen zugelassenen Gehörschutz tragen. Bei Benutzung von Gehörschützern immer auf Warnsignale oder Zurufe achten. Den Gehörschutz immer abnehmen, sobald der Motor abgestellt ist.

Bei Arbeiten an Produkten mit beweglichen Teilen herrscht stets Klemmgefahr. Schutzhandschuhe tragen, um Verletzungen zu vermeiden. Bedenken, dass Kleidung, langes Haar und Schmuck in beweglichen Teilen hängen bleiben können.

Benutzen Sie immer:

- Einen zugelassenen Schutzhelm
- Gehörschutz
- Schutzbrille oder Visier
- Atemschutzmaske
- Feste, griffsichere Handschuhe.
- Eng anliegende, kräftige und bequeme Kleidung tragen, die volle Bewegungsfreiheit gewährt.
- Stiefel mit Stahlkappe und rutschfester Sohle.

Weitere Schutzmaßnahmen



WICHTIG! Beim Betrieb des Gerätes können Funken einen Brand verursachen. Deshalb soll die Feuerlöschschrüstung stets in Reichweite aufbewahrt werden.

- Feuerlöscher
- Ein Erste-Hilfe-Set soll immer griffbereit sein.

Allgemeine Sicherheitsvorschriften

In diesem Abschnitt werden grundlegende Sicherheitsregeln vorgestellt. Die folgenden Informationen sind kein Ersatz für das Wissen, das ein professioneller Anwender durch seine Ausbildung und praktische Erfahrung erworben hat.

- Lesen Sie die Bedienungsanweisung sorgfältig durch und machen Sie sich mit dem Inhalt vertraut, bevor Sie das Gerät benutzen.
- Denken Sie stets daran, dass Sie als Bediener für eventuell dadurch entstehende Sach- und Personenschäden verantwortlich sind.
- Die Maschine ist sauber zu halten. Die Lesbarkeit aller Schilder und Aufkleber muss gewährleistet werden.

Stets mit gesundem Menschenverstand arbeiten!

Es ist unmöglich, alle denkbaren Situationen abzudecken, die beim Gebrauch des Geräts auftreten könnten. Gehen Sie stets mit Vorsicht und Vernunft vor.

Lassen Sie sich bei Unsicherheiten von einer Fachkraft beraten. Fragen Sie Ihren Fachhändler, Ihre Servicewerkstatt oder einen erfahrenen Anwender. Führen Sie keine Arbeiten aus, wenn Unsicherheiten bezüglich der richtigen Vorgehensweise bestehen.



WARNUNG! Das Gerät kann falsch oder nachlässig angewendet gefährlich sein und zu schweren oder gar lebensgefährlichen Verletzungen des Benutzers oder anderer Personen führen.

Niemals Kinder oder andere Personen, die nicht mit der Handhabung der Maschine vertraut sind, die Maschine bedienen oder warten lassen.

Lassen Sie niemals jemand anderen das Gerät benutzen, ohne sich zu vergewissern, dass die Person den Inhalt der Bedienungsanweisung verstanden hat.

Arbeiten Sie niemals mit dem Gerät, wenn Sie müde sind, Alkohol getrunken oder Medikamente eingenommen haben, da hierdurch Sehkraft, Urteilsvermögen oder Körperkontrolle beeinträchtigt werden können.



WARNUNG! Unzulässige Änderungen und/oder Zubehörteile können zu schweren Verletzungen oder tödlichen Unfällen von Anwendern oder anderen Personen führen. Unter keinen Umständen darf die ursprüngliche Konstruktion des Gerätes ohne Genehmigung des Herstellers geändert werden.

Das Gerät nicht so modifizieren, dass es nicht länger mit der Originalausführung übereinstimmt, und nicht benutzen, wenn es scheinbar von anderen modifiziert wurde.

Niemals mit einem defekten Gerät arbeiten. Die Wartungs-, Kontroll- und Serviceanweisungen in dieser Bedienungsanweisung sind sorgfältig zu befolgen. Gewisse Wartungs- und Servicemaßnahmen sind von geschulten, qualifizierten Fachleuten auszuführen. Siehe die Anweisungen unter der Überschrift Wartung.

Es ist immer Originalzubehör zu verwenden.

Sicherheit im Arbeitsbereich



WARNUNG! Der Sicherheitsabstand zu allen beweglichen Teilen muss mindestens 1,5 m betragen. Sie sind dafür verantwortlich, dass sich keine Zuschauer oder Tiere im Arbeitsbereich befinden.

- Überprüfen Sie Ihre Umgebung auf mögliche Störquellen hin, die Ihre Aufmerksamkeit ablenken könnten.
- Vergewissern Sie sich, dass weder Personen noch Gegenstände in Berührung mit der Schneid-ausrüstung kommen oder von Teilen des Seils getroffen werden könnten, wenn dieses plötzlich bricht.
- Sichern Sie den Arbeitsbereich entsprechend ab, wenn die Gefahr besteht, dass sich Teile des Werkstücks lösen können. Arbeitsbereich sichern sowie absperren und sicherstellen, dass weder Menschen noch Material zu Schaden kommen.
- Stellen Sie außerdem sicher, dass weder unter dem Arbeitsbereich noch im Schneidegut Versorgungsleitungen verlegt sind.
- Sicherstellen, dass die Stromkabel im Arbeitsbereich nicht stromführend sind.
- Sorgen Sie dafür, daß der Arbeitsbereich ausreichend beleuchtet ist, damit Sie sicher arbeiten können.
- Vermeiden Sie es, das Gerät bei schlechtem Wetter zu benutzen. Z.B. bei dichtem Nebel, starkem Regen oder Wind, großer Kälte usw. Das Arbeiten bei schlechtem Wetter ist sehr ermüdend und kann gefährliche Umstände herbeiführen, z. B. Rutschgefahr.

Grundlegende Arbeitstechnik

- Diese Maschine ist für das Schneiden von Beton, Ziegeln und unterschiedlichen Steinmaterialien vorgesehen. Jede andere Verwendung ist nicht zulässig.
- Diese Maschine darf nur zusammen mit Husqvarna PP 455E oder einem Aggregat genutzt werden, das an Husqvarna RC 455 angeschlossen ist. Jegliche andere Verwendung ist unzulässig.
- Das Gerät ist für industrielle Anwendungen und die Benutzung durch erfahrene Bediener ausgelegt.
- Nehmen Sie keinerlei Änderungen an den Sicherheitsvorrichtungen vor. Kontrollieren Sie regelmäßig deren einwandfreie Funktionsweise. Die Maschine darf nicht mit defekten Schutzvorrichtungen bzw. ohne eingebaute Schutzvorrichtungen betrieben werden.
- Vor dem Starten der Maschine stets prüfen, dass der Schutz korrekt montiert ist. Schneiden Sie niemals ohne Schutzvorrichtungen.
- Verwenden Sie unter keinen Umständen ein gebrauchtes oder beschädigtes Seil.
- Verwenden Sie ausschließlich vom Hersteller empfohlene Seile. Siehe die Anweisungen unter der Überschrift "Technische Daten".
- Schneiden Sie niemals ohne Kühlwasser. An einem unzureichend gekühlten Seil können sich Segmente erhitzen, was einen beschleunigten Verschleiß bewirkt. Im schlimmsten Fall können sich Segmente vom Seil lösen und Personen in der Nähe der Säge verletzen.
- Sicherstellen, dass alle Verbindungen, Anschlüsse und Hydraulikschläuche unbeschädigt sind.
- Hydraulikschläuche und Verbindungen sauberhalten. Stets auf die Unversehrtheit der verwendeten Schläuche achten.
- Verwenden Sie keine deformierten, verschlissenen oder beschädigten Schläuche.
- Sicherstellen, dass die Schläuche korrekt an die Maschine angeschlossen sind und die Hydraulikkupplungen ordnungsgemäß verriegelt wurden, bevor das Hydrauliksystem unter Druck gesetzt wird. Um die Kupplungen zu verriegeln, die Außenhülse der Buchsenkupplung drehen, wodurch sich die Nut von der Kugel entfernt.
- Täglich die Maschine, alle Verbindungen und Hydraulikschläuche auf Undichtigkeiten überprüfen. Lecks oder Explosionen können zu einem Eindringen von Öl in den Körper oder anderen schweren Verletzungen führen.
- Hydraulikschläuche dürfen erst abgenommen werden, nachdem das Hydraulikaggregat abgeschaltet wurde und der Motor zum Stillstand gekommen ist.
- Die für das jeweilige Werkzeug angegebenen Werte für den Öldurchfluss oder Öldruck nicht überschreiten. Ein zu hoher Durchfluss oder Druck kann zu Explosionen führen.
- Beim Einsatz von Hydraulikwerkzeugen an oder bei elektrischen Leitungen sind Schläuche zu verwenden, die als „nicht elektrisch leitend“ eingestuft und

gekennzeichnet wurden. Die Verwendung anderer Schläuche kann zu schweren Verletzungen und sogar zum Tod führen.

- Beim Schlauchwechsel sind Schläuche mit der Kennzeichnung „nicht elektrisch leitend“ zu benutzen. Die Schläuche sind regelmäßig auf ihre elektrische Isolierfähigkeit zu überprüfen. Dafür gelten gesonderte Anweisungen.
- Vor dem Sägen das Hydrauliksystem auf die Betriebstemperatur von 30°C vorwärmen lassen, um den Rücklaufdruck und andere Belastungen zu reduzieren.
- Sorgen Sie immer dafür, dass Sie bei der Arbeit fest und sicher stehen.
- Vor dem Schneiden sind alle auszuführenden Schnitte deutlich zu markieren und zu planen, sodass sie ohne Gefahr für Mensch oder Maschine durchgeführt werden können.
- Niemals das Gerät unbeaufsichtigt mit laufendem Motor stehen lassen.
- Niemals so sägen, dass Sie den Not-Aus am Hydraulikaggregat oder den Stoppschalter auf der Fernbedienung nicht bequem und einfach erreichen können. Siehe Anleitung des Hydraulikaggregats.
- Beim Arbeiten mit den Maschinen muss stets eine weitere Person anwesend sein, die bei Unfällen Hilfestellung leisten kann.
- Vorsicht beim Heben. Schweres Gerät bedeutet Klemmgefahr und Gefahr für andere Verletzungen.

Transport und Aufbewahrung

- Achten Sie beim Transport der Schneideausrüstung darauf, dass diese nicht beschädigt wird.
- Vor dem Bewegen der Ausrüstung stets den Hauptschalter für das Hydraulikaggregat ausschalten und die Schläuche von der Schneideinheit abnehmen.
- Bewahren Sie das Gerät für Kinder und Unbefugte unzugänglich in einem abschließbaren Raum auf.

MONTAGE

Ausrüstung montieren bzw. installieren



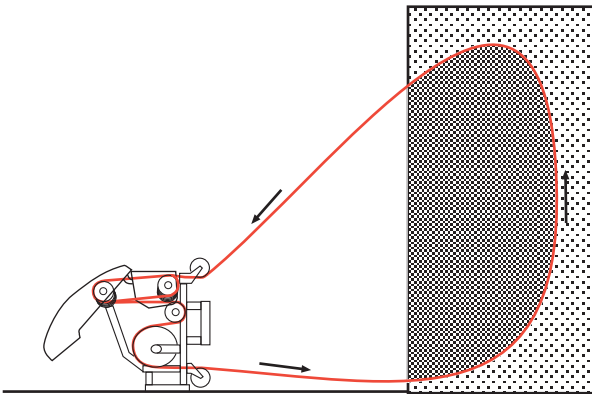
WARNUNG! Lösen Sie die Hydraulikschläuche.



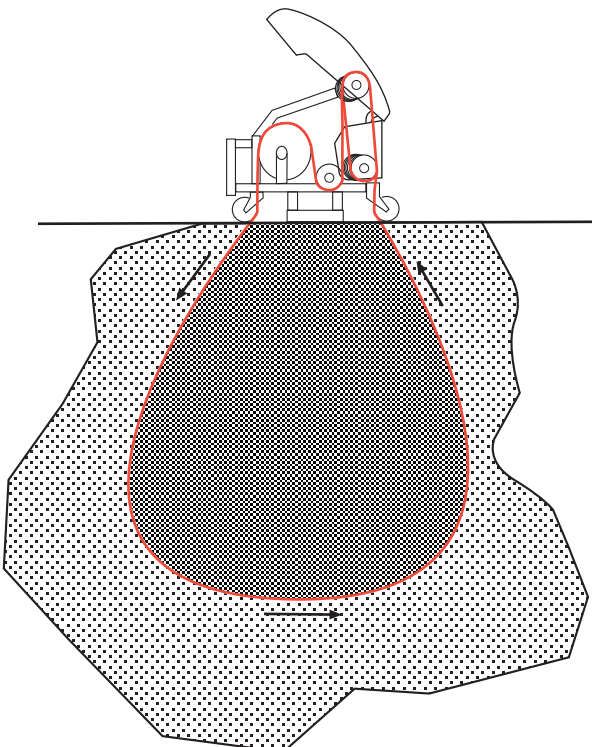
WARNUNG! Positionieren Sie die Säge stets so, dass Sie an Ihrer Arbeitsposition nicht von einem gerissenen Seil getroffen werden können. Vergewissern Sie sich außerdem, dass während des Schneidens keine Unbefugten den Arbeitsbereich betreten können. Gerissene Seile können Personen treffen und tödliche oder schwere Verletzungen zur Folge haben.

Vor der Sägenmontage ist der Schneidvorgang exakt zu planen, damit die Arbeiten möglichst reibungslos ablaufen können.

Husqvarna CS 2512 kann für die Ausführung horizontaler oder vertikaler Schnitte montiert werden. Bei vertikalen Schnitten wird die Säge stehend montiert.



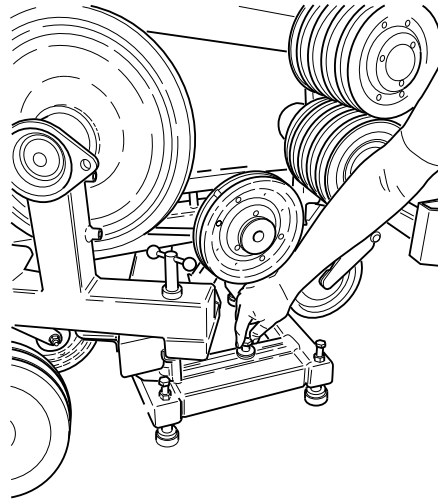
Bei Schnitten auf Bodenhöhe oder im Boden wird die Säge liegend montiert.



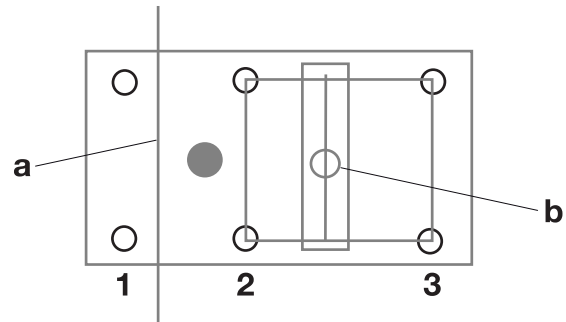
Falls erforderlich, bohren Sie Löcher, um das Seil durch das zu schneidende Material zu verlegen.

Platzieren Sie die Säge vor dem geplanten Schnitt. Sichern Sie die positionierte Säge, indem Sie sie mit einem Ankerbolzen festschrauben.

Wenn die Säge im Boden verschraubt ist, justieren Sie die verstellbaren Füße, um einen stabilen Stand zu ermöglichen.



Beachten Sie, dass der Schwerpunkt der Maschine (grauer Kreis) bei horizontalen Schnitten (a) zwischen dem ersten und zweiten verstellbaren Fußpaar liegt. (Die Fußpaare sind mit 1-3 gekennzeichnet.) Bei Schnitten unter der Maschine ist es wichtig, die Säge sicher per Ankerbolzen (b) zu befestigen, da die verstellbaren Fußpaare 2 und 3 verwendet werden müssen. (Das verstellbare Fußpaar 1 kann evtl. als Stütze für den entfernten Bereich dienen.) Ist die Säge nicht ausreichend verankert, kippt sie um, wenn sich das Material löst, das das verstellbare Fußpaar 1 hält.



Falls erforderlich, montieren Sie Umlenkräder, um den Schneidvorgang zu erleichtern. Durch den Einsatz von Umlenkrädern lässt sich die Anzahl spitzer Kanten beim Sägen verringern, wodurch ein geringerer Seilverschleiß erreicht und ein leichteres Starten der Säge ermöglicht wird. Durch die Verwendung von Umlenkrädern lässt sich das Seil ebenfalls in unterschiedliche Richtungen verlegen, ohne dass die Sägeeinheit umgesetzt werden muss.

Benutzen Sie ebenfalls Umlenkräder, um das Seil nach dem Sägen zu führen.

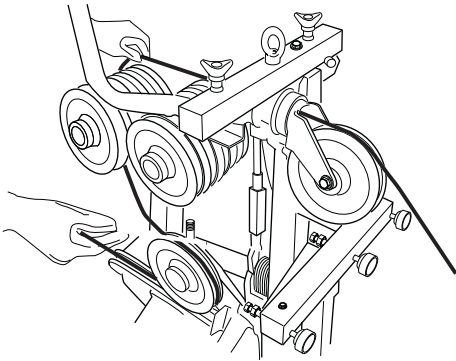
MONTAGE

Seil einlegen

HINWEIS! Ein bereits benutztes Seil muss stets in der zuvor eingesetzten Richtung durch die Maschine laufen, damit kein unnötiger Verschleiß auftritt.

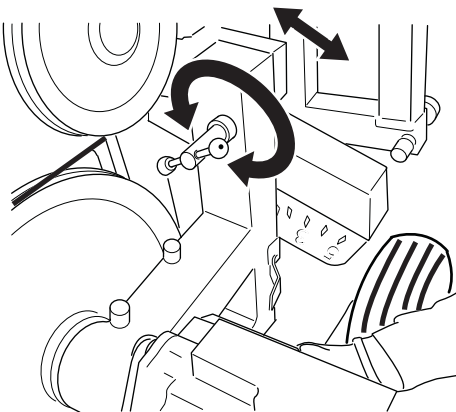
Um die Seilmontage zu vereinfachen, lässt sich die Schutzvorrichtung einfach abnehmen. Legen Sie anschließend das Seil wie folgt ein:

- 1 Stellen Sie sicher, dass sich das Magazin in der minimalen Stellung befindet.
- 2 Legen Sie das Seil um das Arbeitsobjekt, evtl. durch vorgebohrte Löcher und zurück zur Säge.
- 3 Führen Sie das Seil durch die Öffnung an der Lenkrolle und um die erforderliche Anzahl von Radpaaren im Magazin.

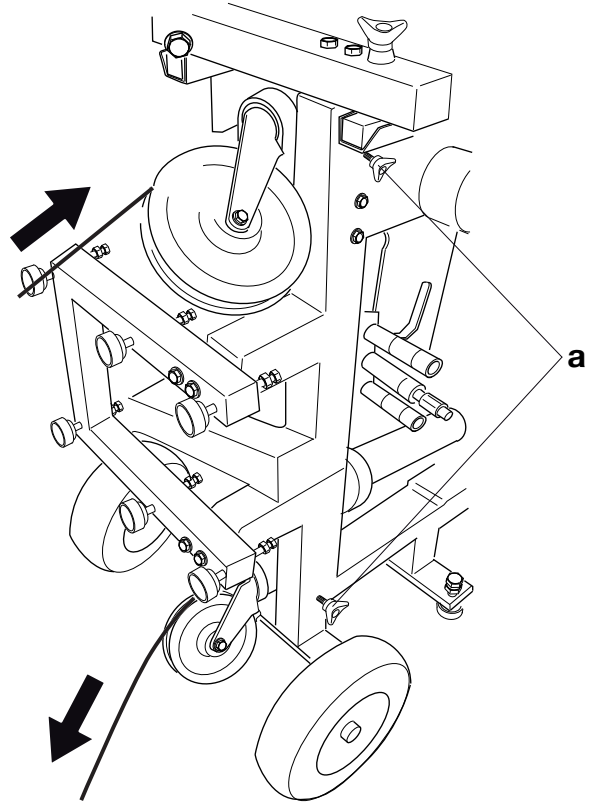


- 4 Justieren Sie die Antriebsradeinheit entsprechend der verwendeten Radpaaranzahl im Magazin:
Lösen Sie den Arm, indem Sie den Knauf gegen den Uhrzeigersinn drehen. Drehen Sie danach die Antriebsradeinheit so, dass der Arm parallel zu den Markierungen auf der Säge ausgerichtet ist. Arretieren Sie nun die Antriebsradeinheit, indem Sie den Knauf im Uhrzeigersinn drehen.

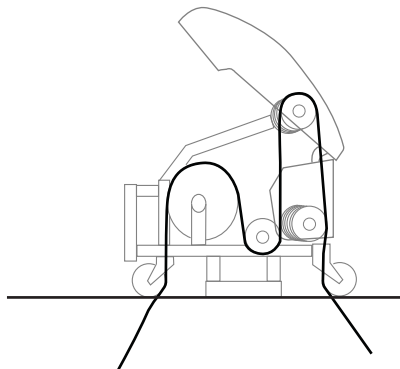
Zum Beginn eines Schneidvorgangs wird meist nur ein Radpaar verwendet.



- 5 Führen Sie das Seil um das Antriebsrad und durch die Öffnung an der zweiten Lenkrolle. Die Lenkrollen können gedreht und in der gewünschten Stellung fixiert werden, indem Sie die gekennzeichneten Knäufe (a) festziehen.



- 6 Bevor die Seilverbindungen zusammengesetzt werden, ist es um 1-2 Umdrehungen pro verwendetem Meter zu verdrehen. Das Seil muss dabei in Faserrichtung verdreht werden. Auf diese Weise wird eine möglichst gleichmäßige Abnutzung der Diamantsegmente im Seil erreicht.
- 7 Verbinden Sie die Seilenden mit einem Splint. Wenn sich am Seil keine Endhülsen befinden, müssen diese angebracht werden. Verwenden Sie dazu eine spezielle Drahtseilzange. Wenn Sie sich nicht sicher sind, welches Modell sie nutzen sollen, wenden Sie sich an Ihren Husqvarna-Händler.
- 8 Ein korrekt verlegtes Seil muss wie auf der folgenden Abbildung durch die Maschine laufen:

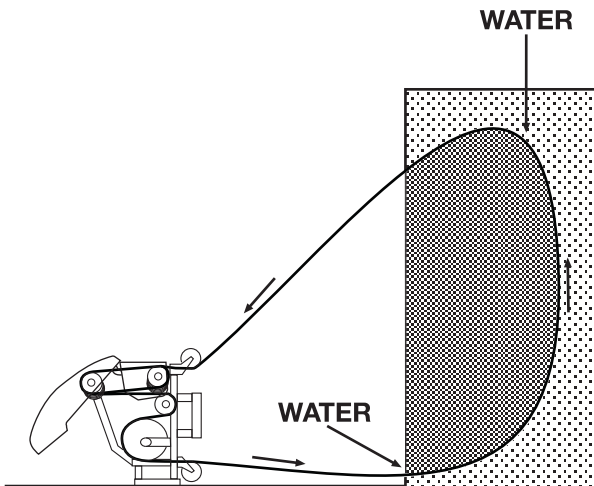


MONTAGE

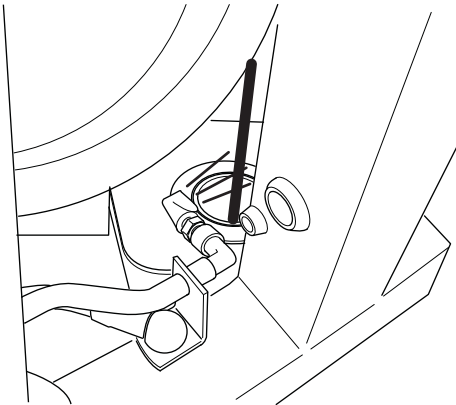
Kühlwasserpositionierung

HINWEIS! Damit das Wasser das Seil beim Schneiden wie vorgesehen kühlen kann, muss die Kühlwasserposition mit fortschreitendem Schneidvorgang justiert werden. Halten Sie dazu stets die Maschine an.

Husqvarna CS 2512 verfügt über zwei Kühlwasseranschlüsse. Diese eignen sich für eine Bestückung mit Dimas-Wasserlanzen. Die Wasserlanzen werden dort positioniert, wo das Seil in den Beton läuft. Dadurch führt das Seil das Wasser mit sich in den Schnitt. Auf diese Weise wird Betonstaub gebunden und eine nachhaltige Seilkühlung erzielt.



Neben dem Kühlwasser von den Wasserlanzen wird das Seil an den beiden Lenkrollen in der Maschine gespült. So bleibt das Seil möglichst sauber und die Säge kann mit geringeren Reibungsverlusten sowie höherer Effektivität arbeiten.

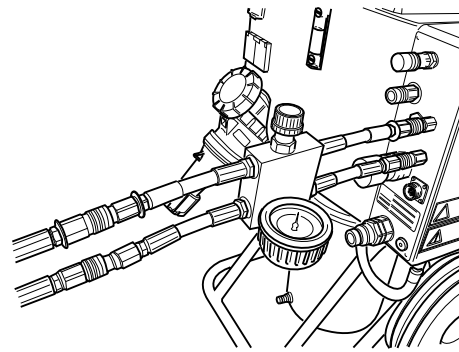


Hydraulikaggregat anschließen

Nachdem die Säge ordnungsgemäß platziert wurde, ist die Verbindung mit einem Hydraulikaggregat herzustellen. Husqvarna CS 2512 ist für die gemeinsame Verwendung mit Husqvarna PP 455 oder Husqvarna RC 455 vorgesehen.

- 1 Kontrollieren Sie, ob das Hydraulikaggregat an die Stromversorgung angeschlossen ist.
- 2 Verbinden Sie das Kühlwasser mit dem Motor am Hydraulikaggregat.

- 3 Stellen Sie sicher, dass auf der Fernsteuerung die Meldung zum Anschließen des Schlauchpakets erscheint. Ist dies nicht der Fall, befolgen Sie die Vorgaben in der Bedienungsanleitung für PP 455E oder RC 455.
- 4 Montieren Sie den Druckreduzierblock am Hydraulikaggregat gemäß den Anweisungen auf dem Block.
- 5 Verbinden Sie zwei der dünneren Hydraulikschläuche mit dem Druckreduzierblock. Der Schlauch im Schlauchpaket, der mit einer roten Kennzeichnung am Anschluss versehen ist, muss mit dem Schlauch am Druckreduzierblock verbunden werden, der ebenfalls über eine Kennzeichnung verfügt.



- 6 Verriegeln Sie die Kupplungen, indem Sie die Hülse an der Kupplung drehen, sodass sich die Nut von der Kugel entfernt.
- 7 Montieren Sie die beiden mit dem Druckreduzierblock verbundenen Schläuche an den Schläuchen, die zum Versorgungszyklern an der Säge führen. Der Schlauch im Schlauchpaket, der mit einer roten Kennzeichnung am Anschluss versehen ist, muss mit dem Schlauch an der Säge verbunden werden, der ebenfalls über eine Kennzeichnung verfügt.
- 8 Verbinden Sie den Wasserschlauch mit dem Wassereingang an der Säge.
- 9 Montieren Sie die beiden dickeren Hydraulikschläuche zuerst am Aggregat und anschließend an den Anschlüssen des Sägemotors. Verriegeln Sie die Kupplungen, indem Sie die Hülse an der Kupplung drehen, sodass sich die Nut von der Kugel entfernt.

NOTE!

Wenn sich die Kupplungen bei der Montage nur schwer verbinden lassen, sind sie vor einer erneuten Montage komplett zu lösen.

Achten Sie darauf, dass die Kupplungen an nicht verwendeten Schläuchen nicht auf dem Boden liegen.

Halten Sie die Kupplungen stets so sauber wie möglich. Eine saubere Kupplung besitzt eine längere Lebensdauer.

STARTEN UND STOPPEN

Vor dem Start

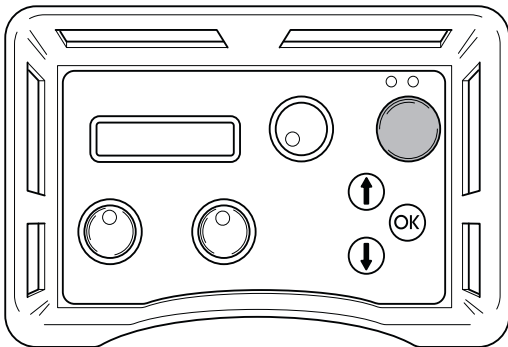
- Den zu schneidenden Bereich einzäunen, damit keine unbeteiligten Personen zu Schaden kommen oder den Bediener stören können.
- Sicherstellen, dass alle Hydraulikschläuche und -anschlüsse unbeschädigt und ordnungsgemäß angeschlossen sind, und dass die Wasserkühlung ordnungsgemäß angeschlossen und eingeschaltet ist.

Starten

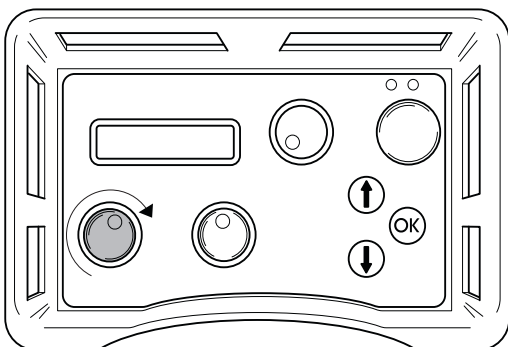
HINWEIS! Damit das Wasser das Seil beim Schneiden wie vorgesehen kühlen kann, muss die Kühlwasserposition mit fortschreitendem Schneidvorgang justiert werden. Halten Sie dazu stets die Maschine an.

Nach der Montage aller Ausrüstungskomponenten können Schneidarbeiten ausgeführt werden. Um die Säge so effektiv wie möglich einzusetzen, ist sie wie folgt zu starten:

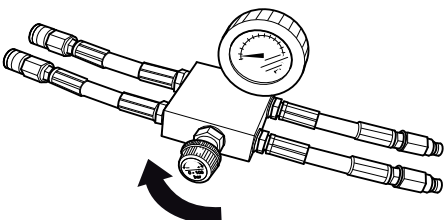
- 1 Schließen Sie das Ventil am Druckreduzierblock an, indem Sie den Knauf bis zum Anschlag gegen den Uhrzeigersinn und danach zwei Umdrehungen zurückdrehen.
- 2 Den Elektromotor durch einmaliges Drücken der grünen Taste an der Fernsteuerung starten.



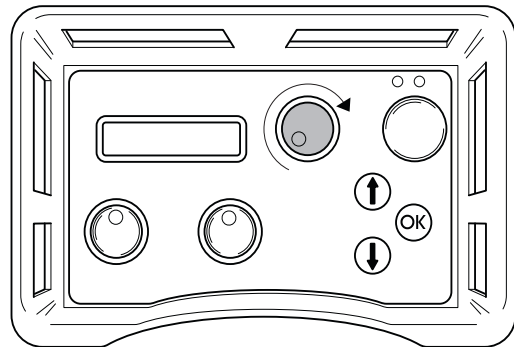
- 3 Stellen Sie den Versorgungsdurchfluss am Aggregat auf maximal, indem Sie den Regler an der Fernsteuerung im Uhrzeigersinn drehen.



- 4 Spannen Sie das Seil, indem Sie den Knauf am Druckreduzierblock vorsichtig im Uhrzeigersinn drehen, bis das Seil eine mittlere Spannung aufweist. Kontrollieren Sie stets sorgfältig, dass das Seil korrekt in allen Führungen in der Säge liegt.



- 5 Starten Sie die Seilbewegung, indem Sie den Regler für die Motordrehung an der Fernsteuerung im Uhrzeigersinn drehen.



- 6 Steigern Sie vorsichtig die Motordrehzahl, indem Sie den entsprechenden Regler drehen. Der geeignete Betriebsdruck beim Schneiden liegt üblicherweise zwischen 100 und 130 Bar. Er variiert jedoch je nach Anzahl der Radpaare im Magazin, der vorliegenden Seilmenge, der Härte des bearbeiteten Materials usw.
- 7 Beim Schneiden des Materials sinkt der Betriebsdruck nach und nach. Dies wird auf dem Display angezeigt. Dementsprechend muss das Seil im Magazin gespannt werden. Drehen Sie dazu den Knauf am Druckreduzierblock im Uhrzeigersinn.
- 8 Die Ausgangsspannung vom Magazin wird an der Maschine angezeigt (auf der Abbildung in minimaler Stellung). Steht der Magazinzyylinder unter maximaler Spannung, muss die Maschine angehalten und das Seil um ein neues Radpaar gelegt werden. Fahren Sie anschließend wie oben beschrieben fort.

Stoppen

- Verringern Sie die Seilgeschwindigkeit und lassen Sie den Motor gänzlich zum Stillstand kommen.
- Schalten Sie den Elektromotor ab, indem Sie die grüne Taste an der Fernsteuerung drücken.

Demontage des Trennschleifers

- Das Stromversorgungskabel vom Hydraulikaggregat lösen.
- Hydraulikschläuche und Wasserschlauch von der Schneideinheit trennen.
- Klappen Sie die Magazinarme zusammen.

Alle weiteren Schritte werden in umgekehrter Montagereihenfolge vorgenommen.

Reinigung

HINWEIS! Die Schneideinheit nicht mit einem Hochdruckreiniger reinigen.

Nach dem Schneidvorgang ist der Trennschleifer zu reinigen. Eine Reinigung der gesamten Schneidausrüstung ist äußerst wichtig. Für die Reinigung der Säge wird empfohlen, den Wasserschlauch vom Schwenkarm abzunehmen und zum Spülen der Schneideinheit zu verwenden. Bei Bedarf lässt sich auch die beiliegende Reinigungsbürste o.ä. zum Reinigen der Ausrüstung benutzen. Hochdruckreiniger dürfen für die Reinigung der Schneideinheit nicht verwendet werden.

Wartung



**ACHTUNG! Kontrollen und/oder
Wartungsmaßnahmen sind mit getrennten
Hydraulikschläuchen durchzuführen.**

Der Bediener darf nur die Wartungs- und Servicearbeiten ausführen, die in dieser Bedienungsanleitung beschrieben sind. Größere Eingriffe sind von einer autorisierten Servicewerkstatt auszuführen.

Außer der täglichen Pflege wie Reinigung und Schmierung muss die Maschine gewartet werden. Nach 50 Betriebsstunden ist die Maschine einer autorisierten Husqvarna-Werkstatt für den Service zu überlassen. Danach ist der Trennschleifer alle 100 Betriebsstunden zu warten. Die Wartung ist die Voraussetzung für die optimale, langfristige Leistungsfähigkeit der Maschine.

Schmierung

Damit das Seil möglichst reibungsfrei läuft, müssen die Magazinwellen mit Fett gefüllt sein. Befüllen Sie die Wellen alle 5-10 Betriebsstunden mit Fett. Verwenden Sie dazu Canadian Petroleum OG2 oder ein entsprechendes Fett.

Reparaturen



**ACHTUNG! Sämtliche Reparaturen dürfen
nur von autorisiertem Reparaturpersonal
ausgeführt werden. Diese Vorschrift soll
verhindern, dass der Bediener großen
Gefahren ausgesetzt wird.**

TECHNISCHE DATEN

CS 2512

Leistung des Antriebsrads (mit PP 455), kW	20
Hydraulikölfluss, l/min / gpm	65/17
Max. Hydraulikdruck, Bar/psi	230/3400
Max. empfohlener Hydraulikdruck beim Sägen, Bar/psi	130/1900
Maximale Seillänge im Magazin (2,4 m/Radpaar), m	12
Abmessungen, Handgriff eingeklappt und Schutzvorrichtung herabgeklappt (L x B x H), mm	1150x750x980
Gewicht, kg/lbs	150/330
Seilgeschwindigkeit im 1. Gang, m/s / ft/s	20/66
Seilgeschwindigkeit im 2. Gang, m/s / ft/s	25/82
Geräuschemissionen (siehe Anmerkung 1)	
Gemessene Schalleistung dB(A)	94
Garantierte Schalleistung L_{WA} dB(A)	95
Lautstärke (siehe Anmerkung 2)	
Schalldruckpegel am Ohr des Benutzers, dB(A)	83

Anmerkung 1: Umweltbelastende Geräuschemission gemessen als Schalleistung (L_{WA}) gemäß EN 15027/A1.

Anmerkung 2: Schalldruckpegel gemäß EN 15027/A1. Berichten zufolge liegt der Schalldruckpegel normalerweise bei einer Ausbreitungsklasse (standardmäßige Ausbreitung) von 1,0 dB (A).

Kapazität des Magazins

	Anzahl der Radpaare im Magazin				
	1	2	3	4	5
Minimale Länge in Maschine, m	3,4	4,4	5,5	6,5	7,5
Absorbierende Länge, m	2,4	4,8	7,2	9,6	12
Max. Länge in Maschine, m	5,8	9,2	12,7	16,1	19,5

Empfohlene Seile

Husqvarna empfiehlt die Verwendung folgender Seile:

Husqvarna C710C	Husqvarna C710C ist ein galvanisiertes Drahtseil, das für das Sägen von hartem Stahlbeton entwickelt wurde. Die Segmente weisen einen hohen Diamantanteil sowie einen geringen Durchmesser (9,5 mm) auf. Dadurch wird ein überaus effektives Sägen ermöglicht. Dank des geringen Durchmessers kann C710C ebenfalls für den Schnittabschluss eingesetzt werden.
Husqvarna C750C	Husqvarna C750C ist ein Allzweck-Drahtseil, das für das Sägen von hartem Stahlbeton entwickelt wurde. Dieses Drahtseil ist für die Verwendung mit Sägen konzipiert, deren Leistung im Bereich 10-25 kW liegt.
Husqvarna C760C	Dieses Drahtseil ist die Toplösung von Husqvarna. Er zeichnet sich durch lange Lebensdauer, hohe Schnittgeschwindigkeit und Leistungsbeständigkeit aus. Husqvarna C760C ist für das Sägen aller Stahlbetonarten geeignet, selbst bei Anwendungen, die hohe Anforderungen an das Seil stellen (z.B. Brückensägearbeiten).
Husqvarna C790C	Die Härte der Segmente in diesem Drahtseil macht Husqvarna C790C zur idealen Wahl, wenn weiche Materialien wie Mauerwerk und leicht armerter Kalksteinbeton geschnitten werden sollen.
Husqvarna C575J	Der Drahtseiltyp Husqvarna C575J verfügt über galvanisierte 15-mm-Segmente.
C1200M	Der Drahtseiltyp Husqvarna C1200M wurde für das Sägen von Stahl entwickelt. Er eignet sich für besonders anspruchsvolle Arbeiten. Dank modernster Sintertechnologie ergeben sich überragende Vorteile bei Schnittgeschwindigkeit und Lebensdauer. Das Drahtseil ist mit zusammengefügt oder losen Enden lieferbar.

Weitere Informationen zu Husqvarna-Produkten erhalten Sie von Ihrem Husqvarna-Händler.

TECHNISCHE DATEN

EG-Konformitätserklärung

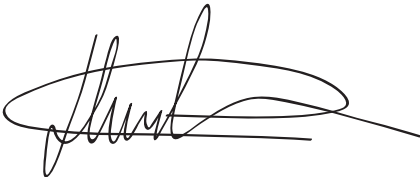
(nur für Europa)

Husqvarna AB, SE-433 81 Göteborg, Schweden, Tel.: +46 31 949000, versichert hiermit, dass die **Husqvarna CS 2512** von den Seriennummern des Baujahrs 2010 an (die Jahreszahl wird im Klartext auf dem Typenschild angegeben, mitsamt der nachfolgenden Seriennummer) den Vorschriften folgender RICHTLINIEN DES RATES entsprechen:

- vom 17. Mai 2006 „Maschinen-Richtlinie“ **2006/42/EG**

Folgende Normen wurden angewendet: EN ISO 12100:2003, EN 15027/A1:2009, EN 982/A1:2008.

Husqvarna, den 29. Dezember 2009



Henric Andersson

Vice President, Head of Power Cutters and Construction Equipment

Husqvarna AB

(Bevollmächtigter Vertreter für Husqvarna AB, verantwortlich für die technische Dokumentation.)

EXPLICATION DES SYMBOLES

Symboles sur la machine:

AVERTISSEMENT! La machine utilisée de manière imprudente ou inadéquate peut devenir un outil dangereux, pouvant causer des blessures graves voire mortelles à l'utilisateur et aux autres personnes présentes.



Lire attentivement et bien assimiler le manuel d'utilisation avant d'utiliser la machine.



Toujours utiliser:

- Casque de protection homologué
- Protecteurs d'oreilles homologués
- Lunettes protectrices ou visière
- Masque respiratoire



Ce produit est conforme aux directives CE en vigueur.



Les autres symboles/autocollants présents sur la machine concernent des exigences de certification spécifiques à certains marchés.

Explication des niveaux d'avertissement

Il existe trois niveaux d'avertissement.

AVERTISSEMENT!



AVERTISSEMENT! Symbole utilisé en cas de risque de blessures très graves ou de mort pour l'utilisateur ou de dommages pour les environs si les instructions du manuel ne sont pas suivies.

REMARQUE !



REMARQUE ! Symbole utilisé en cas de risque de blessures pour l'utilisateur ou de dommages pour les environs si les instructions du manuel ne sont pas suivies.

ATTENTION !

ATTENTION ! Symbole utilisé en cas de risque de dommages pour les matériaux ou la machine si les instructions du manuel ne sont pas suivies.

SOMMAIRE

Sommaire

EXPLICATION DES SYMBOLES

Symboles sur la machine:	46
Explication des niveaux d'avertissement	46

SOMMAIRE

Sommaire	47
----------------	----

PRÉSENTATION

Cher client,	48
CS 2512	48

PRÉSENTATION

Les pièces de la scie à câble	50
-------------------------------------	----

COMMANDE

Équipement de protection	51
Instructions générales de sécurité	51

MONTAGE

Montage/Installation de l'équipement	53
Enfiler le câble	54
Placement de l'eau de refroidissement	55
Raccordez l'unité hydraulique	55

DÉMARRAGE ET ARRÊT

Avant de démarrer la machine	56
Démarrage	56
Arrêt	56
Démontage de la scie	56
Nettoyage	56

ENTRETIEN

Entretien	57
Graissage	57
Réparations	57

CARACTÉRISTIQUES TECHNIQUES

CS 2512	58
Assurance de conformité UE	59

PRÉSENTATION

Cher client,

Nous vous remercions d'avoir choisi un produit Husqvarna !

Nous espérons que cette machine vous donnera toute satisfaction et qu'elle vous accompagnera pendant de longues années. L'achat de l'un des nos produits garantit une assistance professionnelle pour l'entretien et les réparations. Si la machine n'a pas été achetée chez l'un de nos revendeurs autorisés, demandez l'adresse de l'atelier d'entretien le plus proche.

Ce mode d'emploi est précieux. Veillez à ce qu'il soit toujours à portée de main sur le lieu de travail. En suivant les instructions qu'il contient (utilisation, révision, entretien, etc.), il est possible d'allonger considérablement la durée de vie de la machine et d'augmenter sa valeur sur le marché de l'occasion. En cas de vente de la machine, ne pas oublier de remettre le manuel d'utilisation au nouveau propriétaire.

Plus de 300 ans d'innovation

Husqvarna AB est une entreprise suédoise qui a vu le jour en 1689 lorsque le roi Karl XI décida de construire un arsenal pour la fabrication des mousquets. À l'époque, les compétences en ingénierie à la base du développement de certains des produits leaders du marché mondial dans des domaines tels que les armes de chasse, les vélos, les motocycles, l'électroménager, les machines à coudre et les produits d'extérieur, étaient déjà solides.

Husqvarna est le premier fournisseur mondial de produits motorisés pour utilisation en extérieur dans la foresterie, l'entretien de parcs, de pelouses et de jardins, ainsi que d'équipements de coupe et d'outils diamant destinés aux industries de la construction et de la pierre.

Responsabilité de l'utilisateur

Il est de la responsabilité du propriétaire/de l'employeur de s'assurer que l'utilisateur possède les connaissances nécessaires pour manipuler la machine en toute sécurité. Les responsables et les utilisateurs doivent avoir lu et compris le Manuel d'utilisation. Ils doivent avoir conscience :

- Des instructions de sécurité de la machine.
- Des diverses applications de la machine et de ses limites.
- De la façon dont la machine doit être utilisée et entretenue.

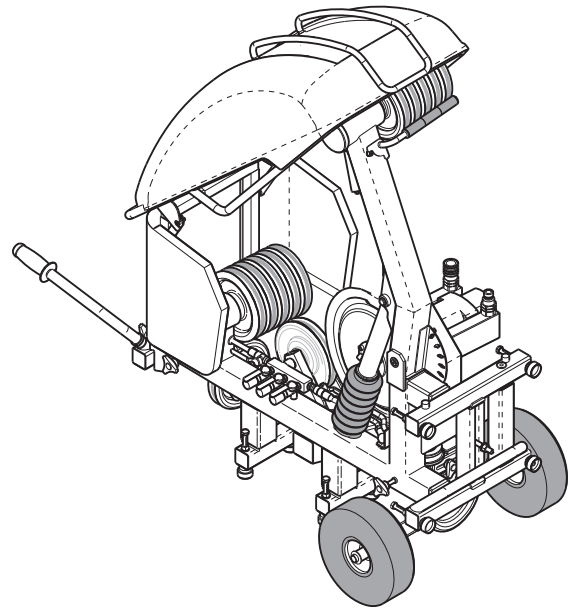
La législation nationale peut réglementer l'utilisation de cette machine. Recherchez la législation applicable dans le lieu où vous travaillez avant d'utiliser la machine.

Droit de réserve du fabricant

Toutes les informations et toutes les données indiquées dans ce manuel d'utilisation étaient valables à la date à laquelle ce manuel a été porté à l'impression.

Husqvarna AB travaille continuellement au développement de ses produits et se réserve le droit d'en modifier, entre autres, la conception et l'aspect sans préavis.

CS 2512



Husqvarna CS 2512 est conçue pour être utilisée avec le groupe hydraulique PP 455 E ou Husqvarna RC 455. Husqvarna CS 2512 est une scie à câble puissante et facile à utiliser présentant une très grande capacité tout en étant suffisamment compacte et mobile pour convenir aux travaux de petite envergure. Elle peut être utilisée de nombreuses manières, sur le sol ou montée sur un mur.

La conception soigneusement étudiée de CS 2512, où la roue d'entraînement est placée du côté sortie de la machine, permet au câble d'être toujours tendu même lorsque la puissance de la machine est faible. Ceci, associé à la vanne de pression réglable, permet un contrôle précis du sciage et un niveau de performances supérieur.

Le magasin peut être utilisé en position verticale ou horizontale et de nombreuses entailles peuvent être sciées directement sans roues de cisaillement externes.

Un équipement de sciage complet est constitué de :

- Une unité de sciage
- 1 boîte d'accessoires
- 1 clé de 18 mm
- 1 bloc de réduction de pression
- 1 caoutchouc d'usure supplémentaire pour les roues du magasin
- 1 brosse de nettoyage

PRÉSENTATION

Accessoires

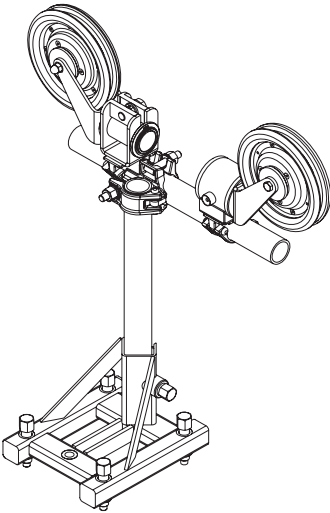
Lance à eau

Se raccorde aux connexions d'eau de la scie et s'utilise pour conduire l'eau de refroidissement dans l'entaille afin de refroidir le câble et de lier la poussière de béton.



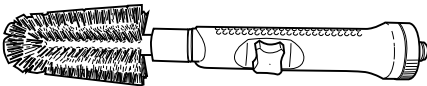
Roues de cisaillement

Les roues de cisaillement Husqvarna sont conçues pour guider en souplesse le câble aussi efficacement que possible. L'utilisation de roues de cisaillement permet de minimiser le nombre d'angles tranchants, ce qui permet de concentrer plus de puissance de sciage sur le matériau.

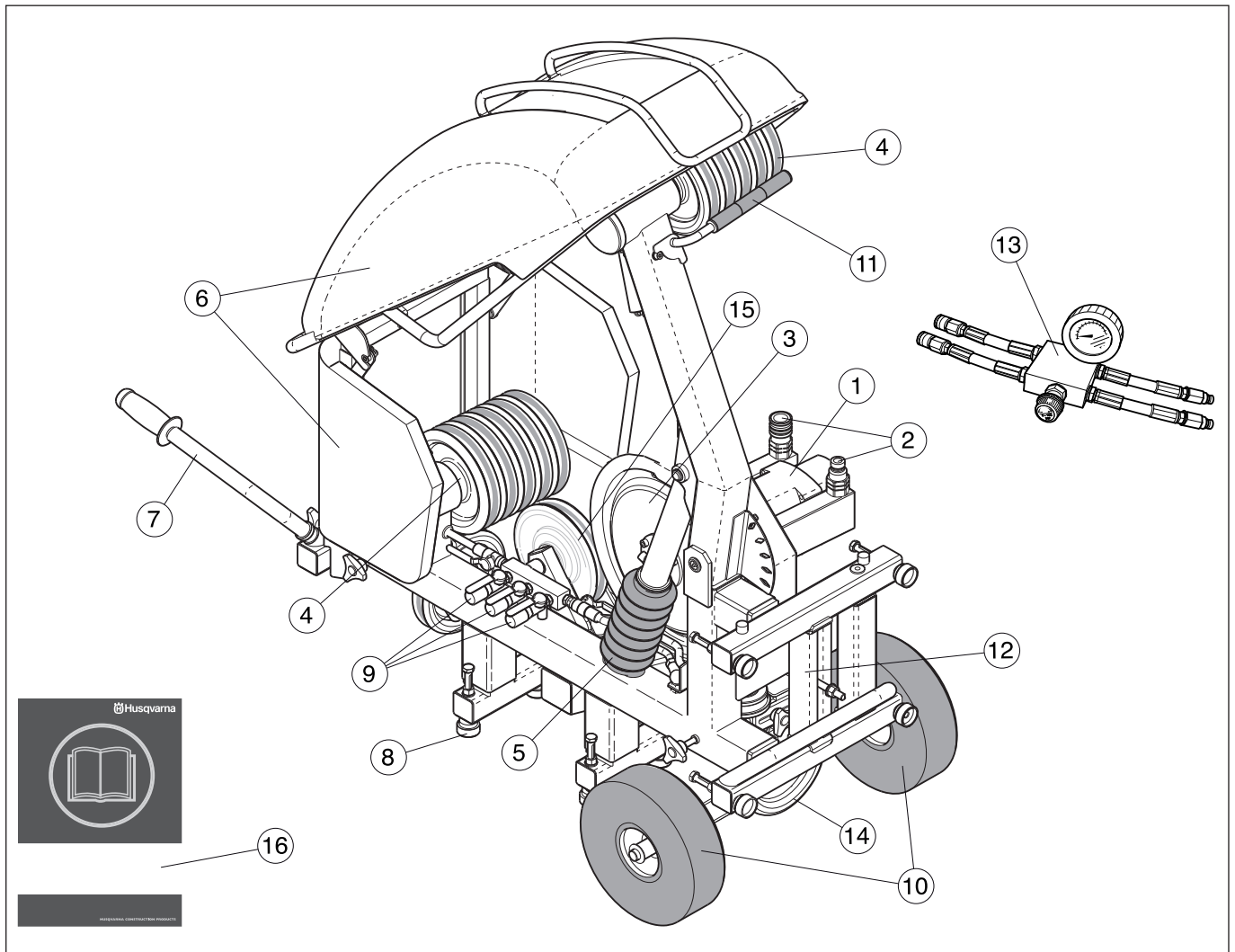


Brosse de nettoyage

Peut être raccordée au tuyau d'eau et est idéale pour nettoyer la machine après l'utilisation.



PRÉSENTATION



Les pièces de la scie à câble

- | | |
|--|----------------------------------|
| 1 Moteur hydraulique | 9 Raccord de l'eau |
| 2 Raccordements des flexibles hydrauliques | 10 Roues en caoutchouc |
| 3 Roue d'entraînement | 11 Barre de câble |
| 4 Magasin à câble | 12 Poutre d'ancrage |
| 5 Cylindre du magasin | 13 Bloc de réduction de pression |
| 6 Protection | 14 Roues d'articulation |
| 7 Poignée pour le transport | 15 Roues de guidage |
| 8 Vis de réglage | 16 Manuel d'utilisation |

Équipement de protection

Généralités

Ne jamais utiliser une machine s'il n'est pas possible d'appeler au secours en cas d'accident.

Équipement de protection personnelle

Un équipement de protection personnelle homologué doit impérativement être utilisé lors de tout travail avec la machine. L'équipement de protection personnelle n'élimine pas les risques mais réduit la gravité des blessures en cas d'accident. Demander conseil au concessionnaire afin de choisir un équipement adéquat.



AVERTISSEMENT! L'utilisation de produits tels que des ciseaux, des disques, des forets, des disques fins ou des formes peut générer de la poussière et des vapeurs pouvant contenir des substances chimiques toxiques. Vérifiez la composition du matériel avec lequel vous travaillez et portez un masque respiratoire adapté.

Une exposition prolongée au bruit risque de causer des lésions auditives permanentes. Toujours utiliser des protecteurs d'oreille agréés. Soyez toujours attentifs aux signaux d'alerte ou aux appels en portant des protège-oreilles. Enlevez-les sitôt le moteur arrêté.

Le risque de coincement est toujours présent lors de travail avec des produits comportant des éléments mobiles. Utiliser des gants de protection pour éviter les blessures personnelles. Attention! Les habits, les cheveux longs et les bijoux peuvent se coincer dans les parties en mouvement.

Toujours utiliser:

- Casque de protection homologué
- Protecteur d'oreilles
- Lunettes protectrices ou visière
- Masque respiratoire
- Gants solides permettant une prise sûre.
- Vêtements confortables, robustes et serrés qui permettent une liberté totale de mouvement.
- Bottes avec coquille en acier et semelle antidérapante.

Autre équipement de protection



IMPORTANT! Lorsque vous travaillez avec la machine, des étincelles peuvent se former et mettre le feu. Gardez toujours à portée de main les outils nécessaires à l'extinction d'un feu.

- Extincteur
- Une trousse de premiers secours doit toujours être disponible.

Instructions générales de sécurité

Le présent chapitre décrit les consignes de sécurité de base relatives à l'utilisation de la machine. Aucune de ces informations ne peut remplacer l'expérience et le savoir-faire d'un professionnel.

- Lire attentivement et bien assimiler le manuel d'utilisation avant d'utiliser la machine.
- N'oubliez pas que c'est vous, l'opérateur, qui êtes responsable de protéger les tiers et leurs biens de tout accident ou danger.
- La machine doit rester propre. Les signes et autocollants doivent être parfaitement lisibles.

Utilisez toujours votre bon sens

Il est impossible de mentionner toutes les situations auxquelles vous pouvez être confronté. Soyez toujours vigilant et utilisez l'appareil avec bon sens.

Si vous êtes confronté à une situation où vous pensez ne pas être en sécurité, arrêtez immédiatement et consultez un spécialiste. Veuillez contacter votre revendeur, votre atelier de réparation ou un utilisateur expérimenté. Il convient d'éviter tous les travaux pour lesquels vous ne vous sentez pas suffisamment qualifié !



AVERTISSEMENT! La machine utilisée de manière imprudente ou inadéquate peut devenir un outil dangereux, pouvant causer des blessures graves voire mortelles à l'utilisateur et aux autres personnes présentes.

Ne jamais permettre à des enfants ou à des personnes ne possédant pas la formation nécessaire d'utiliser ou d'entretenir la machine.

Ne jamais laisser d'autres personnes utiliser la machine sans s'être assuré au préalable que ces personnes ont bien compris le contenu du mode d'emploi.

Éviter d'utiliser la machine en cas de fatigue, d'absorption d'alcool ou de prise de médicaments susceptibles d'affecter l'acuité visuelle, le jugement ou la maîtrise du corps.



AVERTISSEMENT! Toute modification non autorisée et/ou tout emploi d'accessoires non homologués peuvent provoquer des accidents graves voire mortels pour l'utilisateur et les autres. Ne jamais modifier sous aucun prétexte la machine sans l'autorisation du fabricant.

Ne modifiez jamais cette machine de façon à ce qu'elle ne soit plus conforme au modèle d'origine et n'utilisez jamais une machine qui semble avoir été modifiée.

Ne jamais utiliser une machine qui n'est pas en parfait état de marche. Suivre dans ce manuel d'utilisation les instructions de maintenance, de contrôle et d'entretien. Certaines mesures de maintenance et d'entretien doivent être confiées à un spécialiste dûment formé et qualifié. Voir au chapitre Entretien.

N'utiliser que des accessoires et des pièces d'origine.

Sécurité dans l'espace de travail



AVERTISSEMENT! La distance de sécurité par rapport à toutes les pièces mobiles est d'au moins 1,5 m. Il incombe à l'utilisateur de s'assurer qu'aucun animal et qu'aucun spectateur ne se trouve à l'intérieur de la zone de travail.

- Observez la zone environnante et assurez-vous qu'aucun facteur ne risque d'affecter votre contrôle de la machine.
- Assurez-vous que personne/rien ne peut se trouver en contact avec l'équipement de coupe ou être touché par des pièces si le câble se rompt.
- Sécurisez la zone de travail à l'aide des protections appropriées s'il existe un risque de projection de parties venant de la pièce à découper. Délimitez la zone de travail et vérifiez que personne ne peut être blessé ni aucun matériau endommagé.
- Assurez-vous qu'aucun tuyau ou câble électrique ne passe par la zone de travail ou dans le matériau à découper.
- Contrôlez que les câbles électriques présents dans la zone de travail ne sont pas sous tension.
- S'assurer que l'éclairage de la zone de travail est suffisant pour que l'environnement de travail soit de toute sécurité.
- Ne pas travailler par mauvais temps: brouillard épais, pluie diluvienne, vent violent, grand froid, etc. Travailler par mauvais temps est fatiguant et peut créer des conditions de travail dangereuses telles que le verglas.

Techniques de travail de base

- Cette machine est conçue pour le sciage de béton, de brique et de divers autres matériaux à base de pierre. Elle n'est destinée à aucune autre utilisation.
- Cette machine est uniquement destinée à être utilisée avec Husqvarna PP 455E ou un groupe raccordé à Husqvarna RC 455. Toute autre utilisation est interdite.
- La machine est conçue pour des applications industrielles et destinée à des opérateurs expérimentés.
- Ne modifiez jamais les dispositifs de sécurité. Contrôlez régulièrement qu'ils fonctionnent correctement. La machine ne doit pas être utilisée si les dispositifs de sécurité sont défectueux ou ne sont pas montés.
- Toujours contrôler que la protection est montée correctement avant de démarrer la machine. Ne sciez jamais sans utiliser les protections.
- N'utilisez jamais un câble usé ou endommagé.
- Utilisez uniquement du câble recommandé par le fabricant. Voir les instructions au chapitre « Caractéristiques techniques ».
- Ne sciez jamais sans utiliser l'eau de refroidissement. Un câble mal refroidi risque d'entraîner une surchauffe des segments, ce qui cause une usure prématurée. Au pire, les segments risquent de se détacher du câble et de blesser les personnes se trouvant à proximité de la scie.
- Contrôlez que tous les raccords, connexions et flexibles hydrauliques sont intacts.

- Maintenez les flexibles hydrauliques et les raccords propres. Ne maltraitez pas les flexibles.
- Ne pas utiliser de tuyaux tordus, usés ou endommagés.
- Contrôlez que les flexibles sont raccordés correctement à la machine et que les raccords hydrauliques se verrouillent comme prévu avant de mettre le système hydraulique sous pression. Pour verrouiller les raccords, tournez la douille extérieure du raccord femelle afin que la rainure s'éloigne de la boule.
- Contrôlez tous les jours que la machine, les raccords et les flexibles hydrauliques ne présentent pas de fuites. Toute fissure ou fuite risque d'entraîner une « injection d'huile » dans le corps ou de causer une blessure corporelle grave.
- Ne débranchez jamais les flexibles hydrauliques avant d'avoir arrêté l'unité hydraulique et avant que le moteur ne se soit complètement arrêté.
- Ne dépassez pas le débit et la pression d'huile recommandés pour l'outil utilisé. Un débit ou une pression trop élevés peut causer des fissures.
- Quand des outils hydrauliques sont utilisés sur ou près de lignes électriques, utilisez des flexibles marqués et agréés comme « non conducteurs d'électricité ». L'utilisation d'autres flexibles peut résulter en des blessures personnelles graves voire mortelles.
- Si les flexibles doivent être changés, veillez à les remplacer par des flexibles de type « non conducteur d'électricité ». Contrôlez régulièrement l'isolation électrique des conducteurs des flexibles selon les instructions spécifiques.
- Avant de commencer l'opération de sciage, faire tourner le système hydraulique jusqu'à ce qu'il atteigne sa température de fonctionnement de 30°C, pour réduire la pression de retour et les usures.
- Toujours adopter une position de travail sûre et stable.
- Avant le sciage, toutes les entailles doivent être marquées clairement et planifiées de manière à pouvoir être effectuées sans danger pour les personnes ou la machine.
- Ne laissez jamais la machine sans surveillance avec le moteur en marche.
- Ne jamais scier de façon telle que vous ne pouvez atteindre facilement le bouton d'arrêt d'urgence du groupe hydraulique ou le bouton d'arrêt de la commande à distance. Voir le manuel du groupe hydraulique.
- Lors de l'utilisation des machines, prévoyez toujours une personne à proximité afin de pouvoir obtenir de l'aide en cas d'accident.
- Faites preuve de prudence en cas de levage. Le maniement de pièces lourdes implique un risque de coinçage ou autre blessure.

Transport et rangement

- Sécurisez l'équipement lors du transport afin d'éviter tout dommage ou accident.
- Veillez à toujours éteindre l'unité hydraulique et à débrancher les flexibles de l'unité de sciage avant de déplacer l'équipement.
- Stockez l'équipement dans un endroit verrouillé afin de le maintenir hors de portée des enfants et de toute personne incompétente.

MONTAGE

Montage/Installation de l'équipement



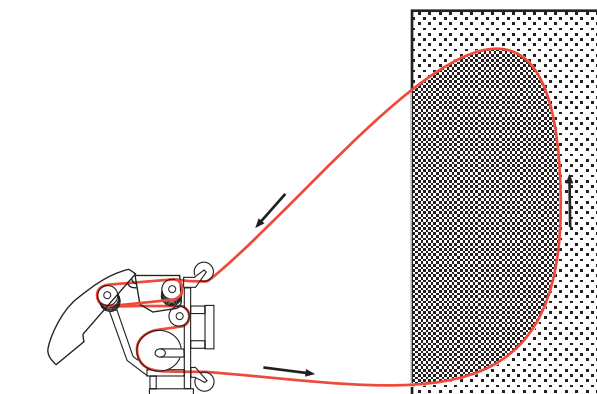
AVERTISSEMENT! Débrancher les flexibles hydrauliques.



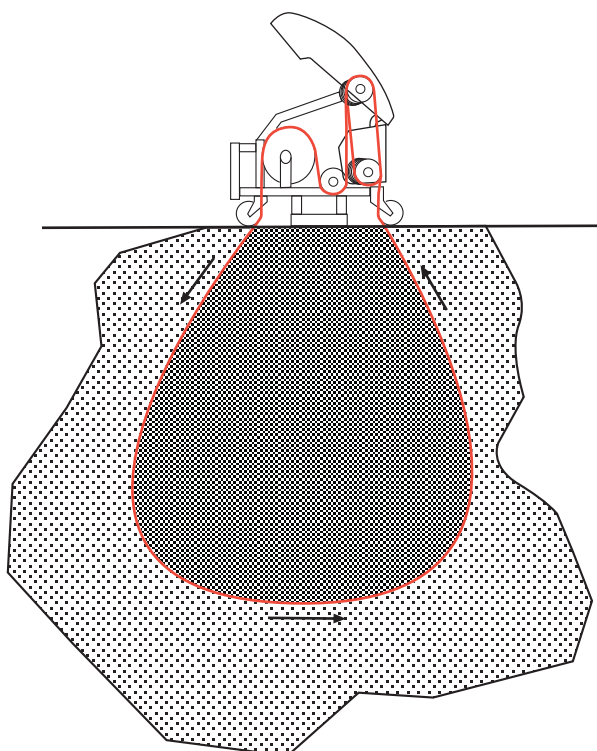
AVERTISSEMENT! Placez toujours la scie de manière à pouvoir vous tenir dans une position où vous ne risquez pas d'être atteint par un câble rompu. Assurez-vous également que des personnes non autorisées ne risquent pas de pénétrer dans la zone de travail pendant le sciage. Être atteint par un câble rompu peut entraîner la mort ou de graves blessures corporelles.

Avant de monter la scie, le sciage doit être planifié soigneusement afin de pouvoir être effectué le plus simplement possible.

Husqvarna CS 2512 peut être montée pour scier des entailles horizontales ou verticales. La scie doit être montée en position verticale pour scier des entailles verticales.



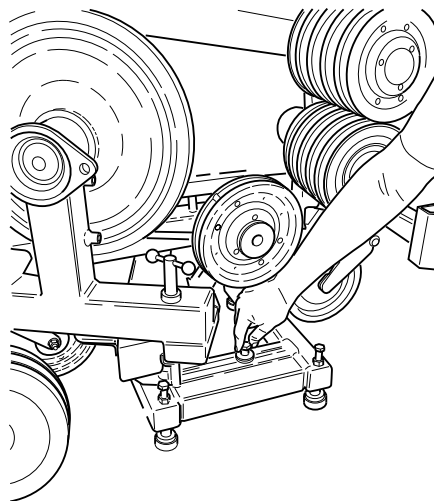
La scie doit être montée en position horizontale pour scier des entailles à hauteur du sol ou dans le sol.



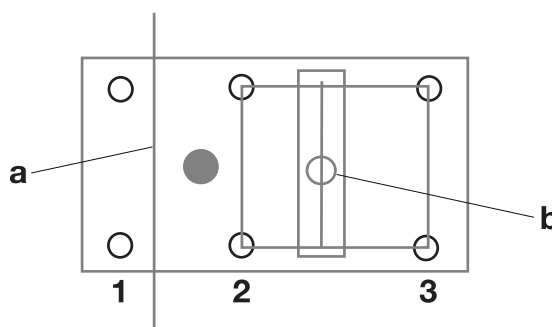
Si nécessaire, percez des trous pour faire passer le câble à travers le matériau à scier.

Placez la scie de manière appropriée devant l'entaille planifiée. Lorsque la scie est en place, fixez-la en la vissant avec un boulon d'ancrage.

Lorsque la scie est boulonnée au sol, abaissez les pieds de réglage de manière à ce que la scie soit stable.



N'oubliez pas que le centre de gravité de la scie (le cercle gris) se trouve entre la première et la deuxième paire de pieds de réglage (les pieds de réglage sont marqués 1-3) en cas d'entailles horizontales (a). En cas d'entailles sous la machine, il est important de bien ancrer la scie à l'aide d'un boulon d'ancrage (b) car les paires de pieds de réglage 2 et 3 doivent être utilisées. (La paire de pieds de réglage 1 repose éventuellement sur la partie à scier). Si la scie n'est pas correctement ancrée, elle se renversera lorsque le matériau maintenant la paire de pieds de réglage 1 se détachera.



Si nécessaire, montez des roues de cisaillement pour faciliter le sciage. L'utilisation de roues de cisaillement permet de minimiser le nombre d'angles tranchants autour desquels le câble doit passer, ce qui permet de réduire l'usure du câble tout en facilitant le démarrage de la scie. L'utilisation de roues de cisaillement permet également de déplacer le câble dans différentes directions sans avoir besoin de déplacer l'unité de sciage.

Utilisez également des roues de cisaillement pour attraper le câble à la fin du sciage.

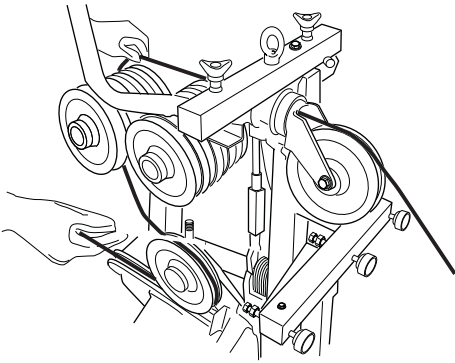
MONTAGE

Enfiler le câble

ATTENTION ! Un câble utilisé doit toujours être déplacé dans la direction utilisée antérieurement afin de minimiser l'usure.

La protection peut être retirée pour faciliter le montage du câble. Enfilez ensuite le câble de la manière suivante :

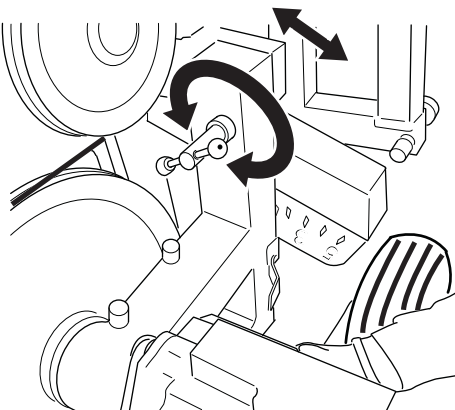
- 1 Vérifiez que le magasin est en position min.
- 2 Placez le câble autour de la pièce à travailler, en le passant éventuellement à travers des trous pré-percés pour ensuite le faire revenir vers la scie.
- 3 Enfilez le câble à travers le trou au niveau de la roue d'articulation et autour du nombre approprié de paires de roues dans le magasin.



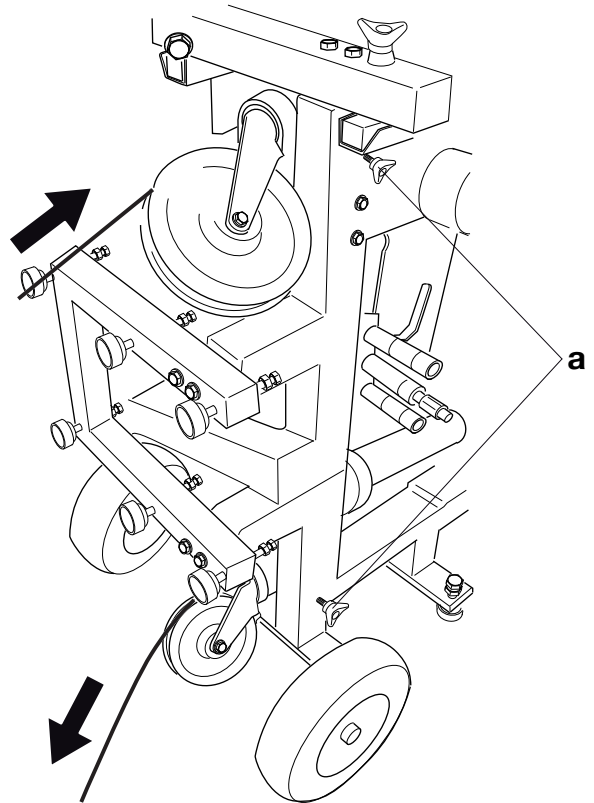
- 4 Réglez l'unité de roue d'entraînement en fonction du nombre de paires de roues utilisées dans le magasin :

Dévissez le bras en tournant la poignée dans le sens contraire des aiguilles d'une montre. Tournez ensuite l'unité de roue d'entraînement de manière à ce que le bras soit aligné avec les marquages présents sur la scie. Puis verrouillez l'unité de roue d'entraînement en tournant la poignée jusqu'à sa position initiale.

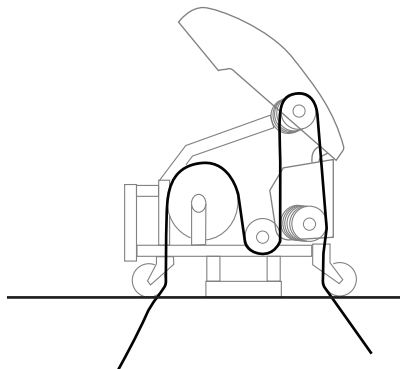
En général, seule une paire de roues est utilisée au début du sciage.



- 5 Enfilez le câble autour de la roue d'entraînement et faites-le ressortir par le trou au niveau de la deuxième roue d'articulation. Il est possible de tourner et de verrouiller les roues d'articulation dans la position souhaitée en serrant les poignées marquées (a).



- 6 Avant d'assembler les jointures du câble, tordez le câble d'1 ou 2 tours par mètre de câble utilisé. Il est important de tordre le câble dans la direction de tissage afin d'obtenir une usure aussi égale que possible des segments en diamant du câble.
- 7 Verrouillez le câble à l'aide d'une goupille. Si le câble ne comporte pas de douilles d'extrémité, il faut en monter sur le câble. Pour cela, utilisez une pince à câble spéciale. En cas d'hésitation concernant le modèle à utiliser, contactez votre revendeur Husqvarna.
- 8 Si le câble est correctement monté, il doit maintenant se déplacer à travers la machine comme indiqué sur l'illustration ci-dessous :

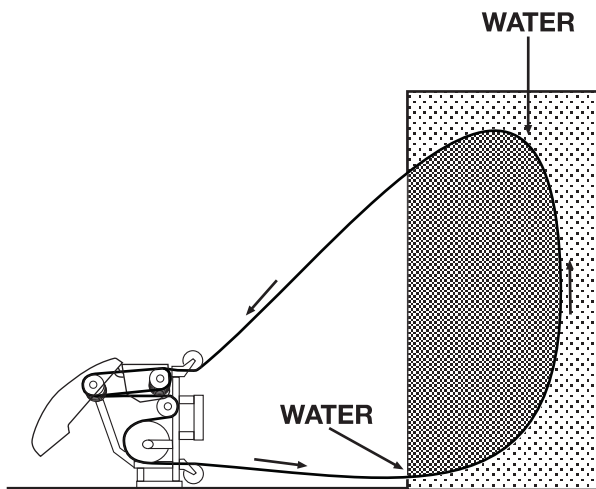


MONTAGE

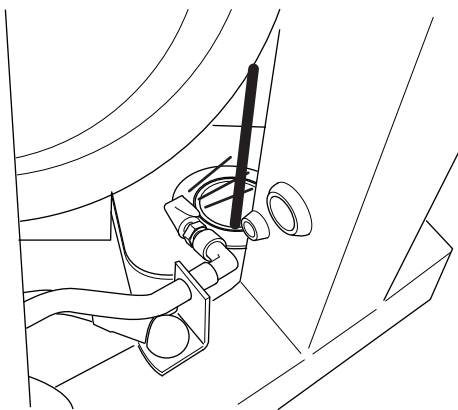
Placement de l'eau de refroidissement

ATTENTION ! Pour que l'eau puisse correctement refroidir le câble pendant le sciage, il est nécessaire de régler la position de l'eau de refroidissement à mesure que le sciage progresse. N'oubliez pas de toujours arrêter la machine pour effectuer ceci.

Husqvarna CS 2512 est équipée de deux prises pour l'eau de refroidissement. La lance à eau Husqvarna peut être raccordée à ces prises. La lance à eau se place ensuite à l'endroit où le câble pénètre dans le béton. De cette manière, l'eau pénètre dans l'entaille avec le câble, ce qui permet de lier la poussière de béton tout en refroidissant efficacement le câble.



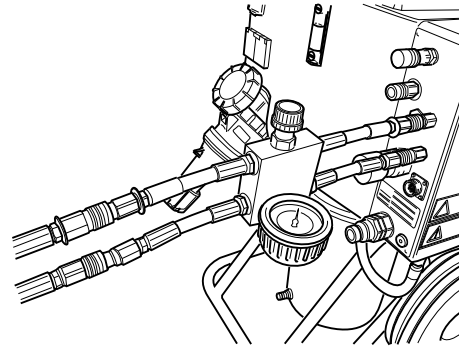
Le câble est aspergé par l'eau de refroidissement de la lance à eau, ainsi qu'au niveau des deux roues d'articulation de la machine. Ceci permet de maintenir le câble aussi propre que possible et donc d'utiliser la scie avec un minimum de pertes dues au frottement et une meilleure efficacité.



Raccordez l'unité hydraulique

Lorsque la scie est correctement montée, elle doit être raccordée à un groupe hydraulique. Husqvarna CS 2512 est conçue pour être utilisée avec Husqvarna PP 455 ou Husqvarna RC 455.

- 1 Contrôlez que le groupe hydraulique est connecté au courant.
- 2 Raccordez l'eau de refroidissement au moteur sur le groupe hydraulique.
- 3 Contrôlez que l'écran de la commande à distance affiche « CONNEXION TUYAUX ». Si ce n'est pas le cas, suivez les instructions indiquées dans les manuels d'utilisation de PP 455E ou RC 455.
- 4 Montez le bloc de réduction de pression sur le groupe hydraulique conformément aux instructions du bloc.
- 5 Raccordez deux des tuyaux hydrauliques fins au bloc de réduction de pression. Le tuyau de l'ensemble de tuyaux qui est marqué d'une rondelle rouge au niveau du raccord doit être raccordé au tuyau du bloc de réduction de pression qui est également pourvu d'une rondelle.



- 6 Verrouillez les raccords en tournant la douille du raccord de manière à ce que la rainure s'éloigne de la boule.
- 7 Montez les deux tuyaux qui ont été raccordés au bloc de réduction de pression aux tuyaux du cylindre d'alimentation de la scie. Le tuyau de l'ensemble de tuyaux qui est marqué d'une rondelle rouge au niveau du raccord doit être raccordé au tuyau de la scie qui est également pourvu d'une rondelle.
- 8 Raccordez le tuyau d'eau à l'eau d'admission sur la scie.
- 9 Commencez par monter les deux tuyaux hydrauliques épais sur le groupe, puis sur les raccords du moteur de scie. Verrouillez les raccords en tournant la douille du raccord de manière à ce que la rainure s'éloigne de la boule.

NOTE!

Si les raccords grippent lors du montage, débranchez-les complètement puis remontez-les.

Veillez à ce que les raccords des tuyaux non utilisés ne reposent pas directement sur le sol.

Maintenez toujours les raccords aussi propres que possible. Un raccord propre dure plus longtemps.

DÉMARRAGE ET ARRÊT

Avant de démarrer la machine

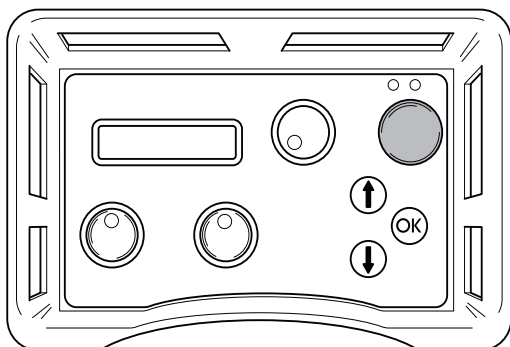
- Fermez la zone de sciage afin que les personnes non autorisées ne risquent pas d'être blessées ou de déranger l'opérateur.
- Vérifiez que tous les flexibles hydrauliques et toutes les connexions sont intacts et correctement raccordés et que le refroidissement par eau est, lui aussi, raccordé correctement et est allumé.

Démarrage

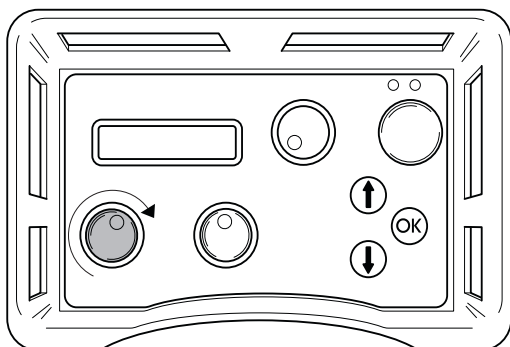
ATTENTION ! Pour que l'eau puisse correctement refroidir le câble pendant le sciage, il est nécessaire de régler la position de l'eau de refroidissement à mesure que le sciage progresse. N'oubliez pas de toujours arrêter la machine pour effectuer ceci.

Lorsque tout l'équipement est monté, le sciage peut commencer. Pour que la scie fonctionne de manière optimale, elle doit être démarrée de la manière suivante :

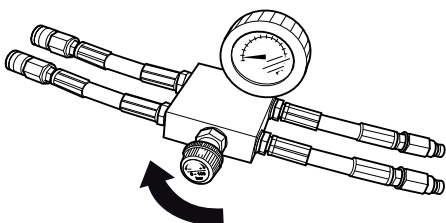
- 1 Fermer la vanne du bloc de réduction de pression en tournant la manette à fond dans le sens contraire des aiguilles d'une montre, puis de deux tours dans l'autre sens.
- 2 Démarrer le moteur électrique en appuyant une fois sur le bouton vert de la commande à distance.



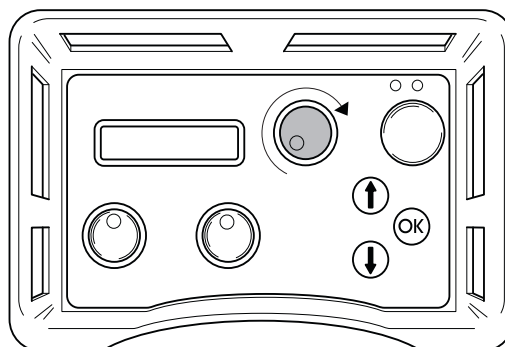
- 3 Régler le débit d'alimentation du groupe sur max. en tournant la commande du boîtier de commande à distance dans le sens des aiguilles d'une montre.



- 4 Tendre le câble en tournant prudemment la manette du bloc de réduction de pression dans le sens des aiguilles d'une montre jusqu'à ce que le câble soit correctement tendu. Veiller constamment à contrôler que le câble est en position correcte dans toutes les roues de la scie.



- 5 Démarrer l'entraînement du câble en tournant dans le sens des aiguilles d'une montre la commande de rotation du moteur sur le boîtier de commande à distance.



- 6 Augmenter prudemment le régime du moteur en tournant la commande de rotation du moteur. La pression de travail recommandée pour le sciage est en général entre 100 et 130 bars mais varie en fonction, par exemple, du nombre de paires de roues utilisées dans le magasin, de la quantité de câble en jeu et de la dureté du matériau à scier.
- 7 À mesure que le sciage progresse, la pression de travail diminue, ce qui est indiqué sur l'affichage, et le magasin doit être tendu. Effectuez ceci en tournant le volant du bloc de réduction de pression dans le sens des aiguilles d'une montre.
- 8 La tension du magasin est affichée par un indicateur sur la machine (en position min. sur l'illustration). Lorsque le cylindre du magasin est complètement tendu, la machine doit être arrêtée et le câble doit être enroulé autour d'une nouvelle paire de roues. Continuer ensuite le sciage comme décrit plus haut.

Arrêt

- Diminuez la vitesse du câble et laissez le moteur s'arrêter complètement.
- Arrêter le moteur électrique en appuyant sur le bouton vert de la commande à distance.

Démontage de la scie

- Débranchez les câbles électriques vers l'unité hydraulique.
- Débranchez les tuyaux hydrauliques et le tuyau d'eau de l'unité de sciage.
- Repliez le bras du magasin.

Les autres étapes du démontage s'effectuent comme celle du montage mais dans l'ordre inverse.

Nettoyage

ATTENTION ! N'utilisez pas de nettoyeur haute pression pour le nettoyage de la scie.

Une fois le sciage terminé, la scie doit être nettoyée. Il est important que tout l'équipement de sciage soit nettoyé. Il est recommandé de nettoyer la scie en débranchant le tuyau d'eau du bras pivotant et en l'utilisant pour rincer l'unité de sciage. Si nécessaire, on peut également utiliser la brosse de nettoyage fournie ou équivalent pour nettoyer l'équipement. Évitez d'utiliser de l'eau sous haute pression lors du nettoyage de l'unité de sciage.

Entretien



REMARQUE ! Tout contrôle et/ou entretien doit être effectué avec les tuyaux hydrauliques débranchés.

L'utilisateur ne peut effectuer que les travaux d'entretien et de révision décrits dans ce manuel d'utilisation. Les mesures plus importantes doivent être effectuées dans un atelier d'entretien agréé.

En plus des mesures quotidiennes telles que le nettoyage et la lubrification, la machine doit subir un entretien. Après 50 heures d'utilisation, la machine doit être portée à un atelier Husqvarna agréé pour entretien. La scie doit ensuite être subir un entretien toutes les 100 heures d'utilisation.

L'entretien est important pour que l'utilisateur dispose d'une machine présentant un fonctionnement optimal et une longue durée de vie.

Graissage

Pour que le câble se déplace avec un minimum de frottement, les arbres du magasin doivent être remplis de graisse.

Refaites donc le plein de graisse toutes les 5 ou 10 heures de fonctionnement. Utilisez de la graisse Canadian Petroleum OG2 ou équivalente.

Réparations



REMARQUE ! Toutes les réparations doivent être effectuées par des réparateurs agréés. Ceci permet d'éviter que les opérateurs ne soient exposés à des risques importants.

CARACTÉRISTIQUES TECHNIQUES

CS 2512

Puissance de la roue d'entraînement (avec PP 455), kW	20
Débit d'huile hydraulique, l/min / gpm	65/17
Pression hydraulique max., bars/psi	230/3400
Pression hydraulique max. recommandée lors du sciage, bars/psi	130/1900
Longueur de câble maximale dans le magasin (2,4 m/paire de roues), m	12
Dimensions, poignée repliée et protection abaissée (LxlxH), mm	1150x750x980
Poids, kg/lbs	150/330
Vitesse du câble, rapport 1, m/s / ft/s	20/66
Vitesse du câble, rapport 2, m/s / ft/s	25/82
Émissions sonores (voir remarque 1)	
Niveau de puissance sonore mesuré dB(A)	94
Niveau de puissance sonore garanti L _{WA} dB(A)	95
Niveaux sonores (voir remarque 2)	
Niveau de pression acoustique au niveau des oreilles de l'utilisateur, dB(A)	83

Remarque 1: Émission sonore dans l'environnement mesurée comme puissance acoustique (L_{WA}) selon EN 15027/A1.

Remarque 2: Niveau de pression sonore conformément à EN 15027/A1. Les données reportées pour le niveau de pression sonore montrent une dispersion statistique typique (déviations standard) de 1,0 dB (A).

Capacité du chargeur

	Nombre de paires de roues du chargeur				
	1	2	3	4	5
Longueur MIN. dans la machine, m	3,4	4,4	5,5	6,5	7,5
Longueur d'absorption, m	2,4	4,8	7,2	9,6	12
Longueur MAX. dans la machine, m	5,8	9,2	12,7	16,1	19,5

Câbles recommandés

Husqvarna recommande d'utiliser les câbles suivants :

Husqvarna C710C	Husqvarna C710C est un câble galvanisé conçu pour être utilisé lors du sciage dans du béton avec une armature importante. Les segments présentent une grande quantité de diamant et un diamètre moindre (9,5 mm), ce qui permet une grande efficacité de sciage. Le diamètre moindre permet également d'utiliser C710C pour la finalisation d'entailles difficiles.
Husqvarna C750C	Husqvarna C750C est un câble polyvalent conçu pour être utilisé lors du sciage dans du béton armé. Ce câble est conçu pour être utilisé avec des scies présentant une puissance comprise entre 10 et 25 kW.
Husqvarna C760C	Ceci est le câble supérieur Husqvarna : longue durée de vie, haute vitesse de coupe et résistance de puissance élevée en sont les principales qualités. Husqvarna C760C peut être utilisé pour le sciage dans tous les types de béton armé, même pour des travaux entraînant de grandes contraintes pour le câble, par exemple le sciage de ponts.
Husqvarna C790C	Grâce à la dureté de ses segments, Husqvarna C790C est le choix idéal pour le sciage de matériaux mous, par exemple du mortier ou du béton calcaire légèrement armé.
Husqvarna C575J	Husqvarna C575J est un câble avec des segments galvanisés de 15 mm.
C1200M	Husqvarna C1200M est un câble conçu pour être utilisé pour le sciage d'acier. Ce câble a été conçu pour une utilisation dans des situations extrêmement exigeantes. L'utilisation de la technique d'agglomération la plus récente offre d'énormes avantages en termes de vitesse de coupe et de durée de vie. Ce câble peut être livré avec des extrémités jointes ou libres.

Pour plus d'informations sur les différents outils Husqvarna, contactez votre revendeur Husqvarna.



CARACTÉRISTIQUES TECHNIQUES

Assurance de conformité UE

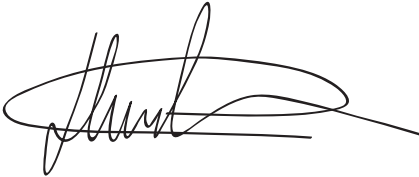
(Concerne seulement l'Europe)

Husqvarna AB, SE-433 81 Göteborg, Suède, tél.: +46-31-949000, déclarons sous notre seule responsabilité que la **Husqvarna CS 2512** à partir des numéros de série de l'année 2010 (l'année est indiquée clairement sur la plaque signalétique suivie d'un numéro de série) auquel se réfère ce document est conforme aux dispositions des DIRECTIVES DU CONSEIL:

- du 17 mai 2006 "directive machines" **2006/42/CE**

Les normes harmonisées suivantes ont été appliquées: EN ISO 12100:2003, EN 15027/A1:2009, EN 982/A1:2008.

Husqvarna, le 29 décembre 2009



Henric Andersson

Vice-président, responsable des découpeuses et équipements de construction

Husqvarna AB

(Représentant autorisé d'Husqvarna AB et responsable de la documentation technique.)

**GB - Original instructions, ES - Instrucciones originales
DE - Originalanweisungen, FR - Instructions d'origine**

1153423-20



2010-03-10