

WT10

Reservdelar/Instruktion

Spare parts/Instruction

Ersatzteile/Anweisung

Pieces de rechange/Instructions

Piezas de repuesto/Instrucciones

Ricambi/Instruzioni

Peças sobresselente/Instruções

A

 Husqvarna

Li-Ion
POWER

WT 10

5

4

6

1

7

4

5

6

2

3

WT 10

6

4

5



9

10

12

11

16

17

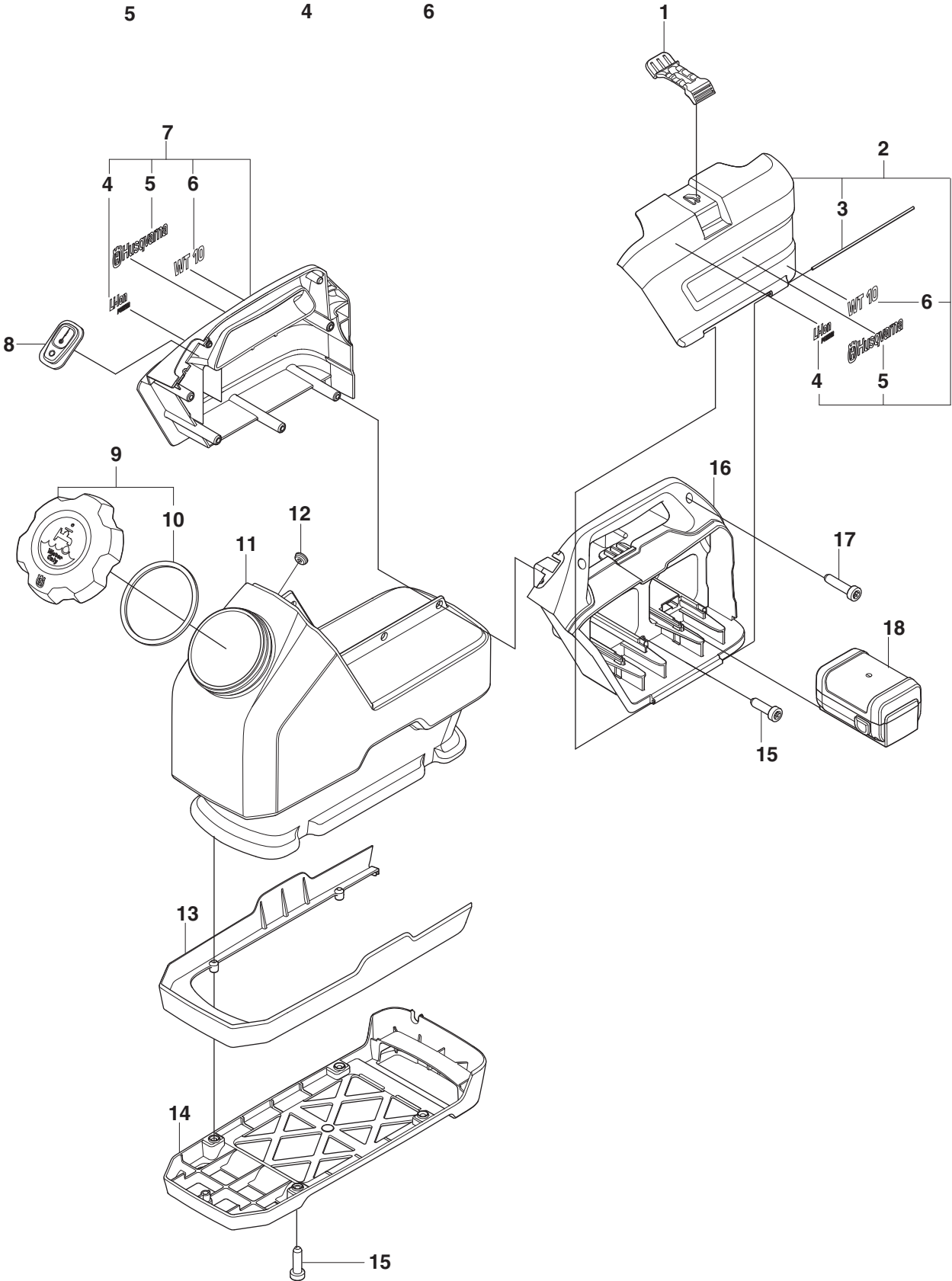
18

15

13

14

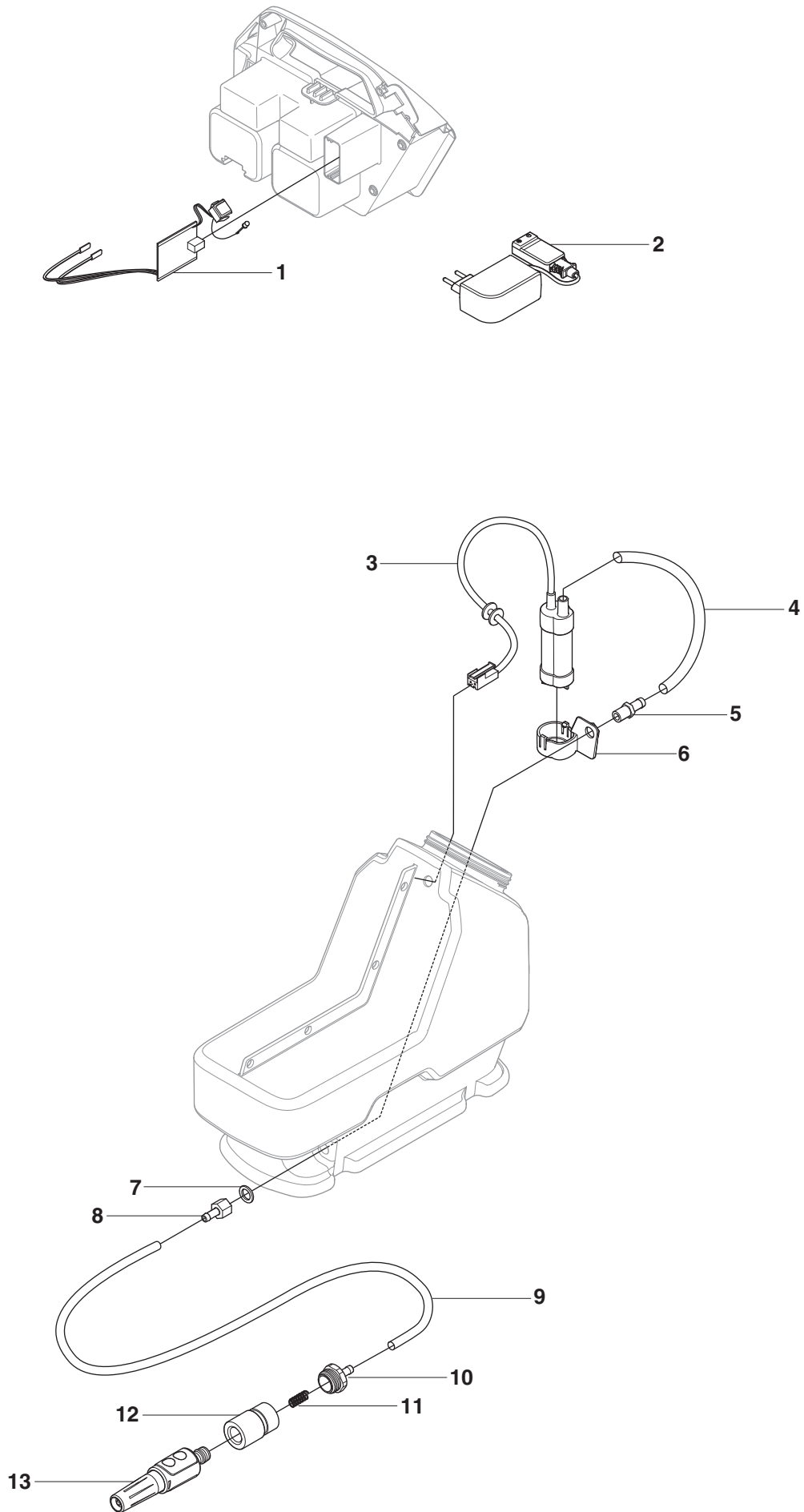
15



Page A
WT10

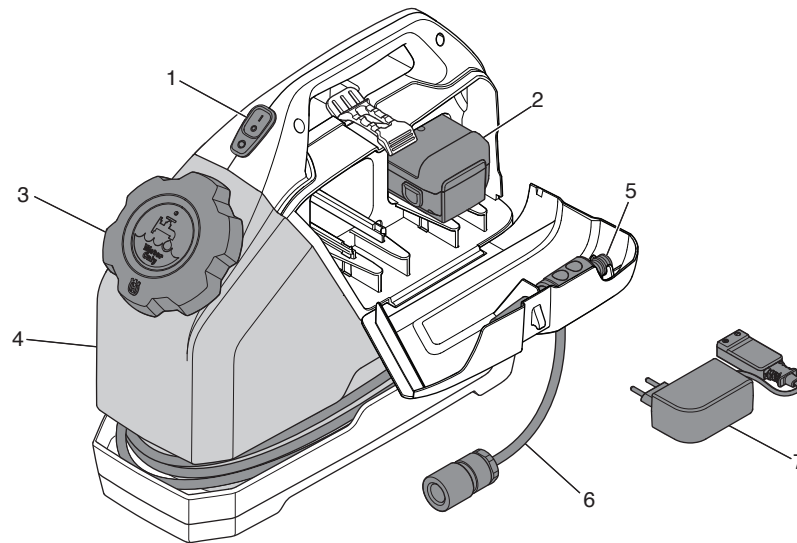
| Pos. | Part No. | Description | Quantity | Notes | New Part |
|-------------|-----------------|--------------------|-----------------|--------------|-----------------|
| 1 | 505 14 30-01 | BUCKLE | 1 | | |
| 2 | 522 94 16-01 | LID | 1 | Incl. 3 - 6 | |
| 3 | 522 44 69-01 | SHAFT | 1 | | |
| 4 | 522 98 00-01 | LABEL | 1 | | |
| 5 | 544 93 31-01 | LABEL | 1 | | |
| 6 | 522 97 99-01 | LABEL | 1 | | |
| 7 | 522 94 17-01 | HANDLE | 1 | Incl. 4 - 6 | |
| 8 | 505 14 27-01 | COVER | 1 | | |
| 9 | 522 94 18-01 | CAP | 1 | Incl. 10 | |
| 10 | 510 24 27-01 | O-RING | 1 | | |
| 11 | 505 14 19-01 | TANK | 1 | | |
| 12 | 522 53 58-01 | GROMMET | 1 | | |
| 13 | 505 14 32-01 | BASE | 1 | | |
| 14 | 505 14 33-01 | BASE | 1 | | |
| 15 | 503 21 54-20 | SCREW | 10 | | |
| 16 | 505 14 23-01 | HANDLE | 1 | | |
| 17 | 504 90 94-25 | SCREW | 2 | | |
| 18 | 505 14 31-01 | BATTERY | 1 | | |

B



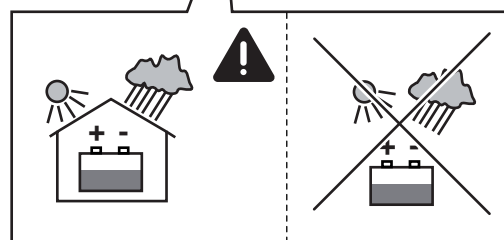
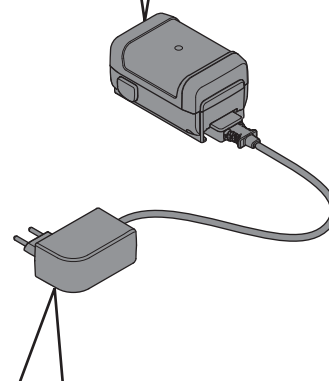
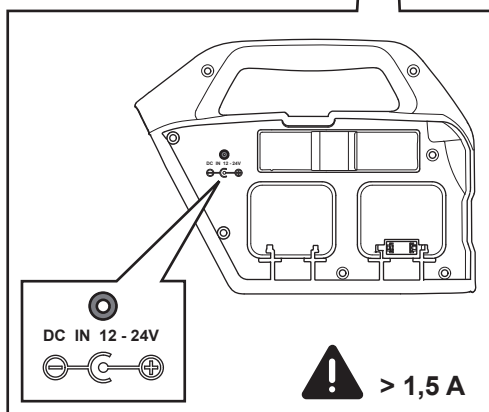
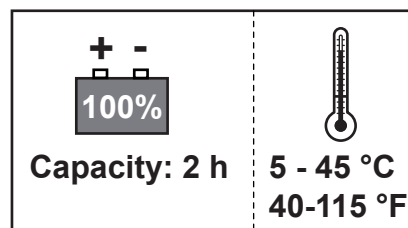
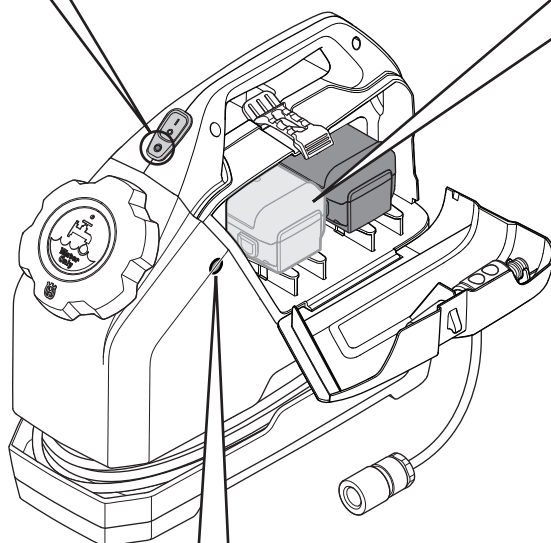
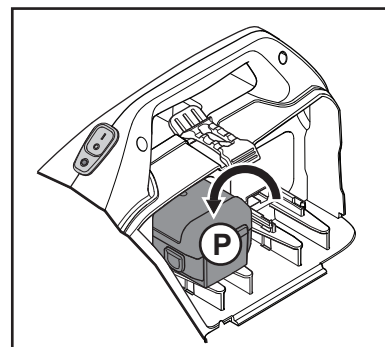
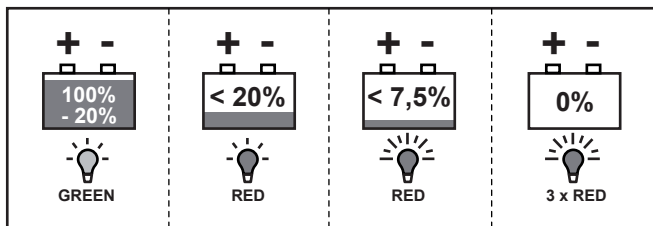
Page B
WT10

| Pos. | Part No. | Description | Quantity | Notes | New Part |
|-------------|-----------------|--------------------|-----------------|--------------|-----------------|
| 1 | 522 43 91-01 | CIRCUIT BOARD ASSY | 1 | | |
| 2 | 505 14 28-01 | CHARGER | 1 | 230V | |
| 2 | 505 14 28-02 | CHARGER | 1 | 110V | |
| 3 | 523 02 76-01 | PUMP | 1 | | |
| 4 | 525 43 64-01 | HOSE | 1 | 0,27m | |
| 5 | 510 24 30-01 | NIPPLE | 1 | | |
| 6 | 505 14 37-01 | BRACKET | 1 | | |
| 7 | 510 24 29-01 | O-RING | 1 | | |
| 8 | 510 24 32-01 | NIPPLE | 1 | | |
| 9 | 525 40 62-02 | HOSE | 1 | 3,2m | |
| 10 | 505 14 38-01 | HOSE COUPLING | 1 | | |
| 11 | 516 04 31-01 | SPRING | 1 | | |
| 12 | 503 26 60-03 | COUPLER | 1 | | |
| 13 | 522 67 31-01 | SPRAY NOZZLE | 1 | | |



| | | | | | | | |
|----------------------|---------------------------|-------------------|--------------|----------------------|---------------|--------------|-------------------------------|
| Swedish (SE) | 1. Startknapp | 2. Batteri | 3. Lock | 4. Tank | 5. Munstycke | 6. Slang | 7. Batteriladdare |
| Danish (DK) | 1. Startknap | 2. Batteri | 3. Dæksel | 4. Tank | 5. Dyse | 6. Slang | 7. Batteriladere |
| Finnish (FI) | 1. Käynnistuspainike | 2. Akku | 3. Korkki | 4. Polttoainesäiliön | 5. Suutin | 6. Letku | 7. Akkulatorilla |
| Norwegian (NO) | 1. Startknapp | 2. Batteri | 3. Lokk | 4. Tank | 5. Dyse | 6. Slang | 7. Batteriladere |
| English (GB) | 1. Start button | 2. Battery | 3. Cap | 4. Tank | 5. Nozzle | 6. Hose | 7. Battery charger |
| French (FR) | 1. Bouton de démarrage | 2. Batterie | 3. Bouchon | 4. Réservoir | 5. Buse | 6. Tuyau | 7. Chargeur de batterie |
| Canadian French (CA) | 1. Bouton de démarrage | 2. Batterie | 3. Bouchon | 4. Réservoir | 5. Buse | 6. Tuyau | 7. Chargeur de batterie |
| Dutch (NL) | 1. Startknop | 2. Accu | 3. Deksel | 4. Tank | 5. Mondstuk | 6. Slang | 7. Batterijlader |
| Italian (IT) | 1. Pulsante di accensione | 2. Batteria | 3. Tappo | 4. Serbatoio | 5. Ugello | 6. Tubo | 7. Caricabatteria |
| Spanish (ES) | 1. Botón de arranque | 2. Batería | 3. Tapa | 4. Depósito | 5. Boquilla | 6. Manguera | 7. Cargador de batería |
| German (DE) | 1. Startknopf | 2. Batterie | 3. Deckel | 4. Tank | 5. Düse | 6. Schlauch | 7. Batterieladegerät |
| Ukraine (UA) | 1. стартова кнопка | 2. Акумулятор | 3. кришка | 4. бак | 5. сопло | 6. шланг | 7. Зарядний пристрій |
| Russian (RU) | 1. Кнопка начало | 2. Акумулятор | 3. колпачок | 4. бака | 5. соплом | 6. шланг | 7. Зарядное устройство |
| Hungarian (HU) | 1. Indítógomb | 2. Akkumulátor | 3. Sapka | 4. Tartály | 5. Tisztító | 6. Vezeték | 7. Akkumulátortöltő |
| Portuguese (PT) | 1. Botão de arranque | 2. Bateria | 3. Tampa | 4. Depósito | 5. Bocal | 6. Mangueira | 7. Carregador da bateria |
| Bulgarian (BG) | 1. стартерен бутон | 2. акумулатора | 3. Капачка | 4. резервоар | 5. мундщук | 6. маркуч | 7. зарядно устройств |
| Polish (PL) | 1. Włącznik | 2. Akumulator | 3. Korek | 4. Zbiornik | 5. Dysza | 6. Przewód | 7. Ładowarka baterii |
| Romanian (RO) | 1. Buton start | 2. Baterie | 3. Capac | 4. Rezervor | 5. Duza | 6. Furtun | 7. Încărcător de baterii |
| Estonian (EE) | 1. Käivitusnupp | 2. Aku | 3. Kork | 4. Paak | 5. Otsak | 6. Voolik | 7. Akulaadija |
| Latvian (LV) | 1. Iedarbināšanas poga | 2. Akumulators | 3. Vāciņš | 4. Tvertnes | 5. Sprausla | 6. Ītene | 7. Ateriju lādētājs |
| Lithuanian (LT) | 1. Pradžios mygtukas | 2. Akumuliatorius | 3. Dangtelis | 4. Bakas | 5. Purkštukas | 6. Žarna | 7. Akumuliatoriaus įkroviklis |
| Slovakian (SK) | 1. Štartovacie tlačidlo | 2. Batérie | 3. Uzáver | 4. Nádrž | 5. Tryska | 6. Hadica | 7. Nabíjačka batérie |
| Greek (GR) | 1. Κουμπί έναρξης | 2. Μπαταρίας | 3. Καπάκι | 4. Ντιπόζιτου | 5. Αεροψύσιο | 6. Σολήνα | 7. Ψοφιστής μπαταρίας |
| Chinese (CN) | 1. 启动按钮 | 2. 电池 | 3. 盖 | 4. 箱 | 5. 喷嘴 | 6. 管 | 7. 电池充电器 |
| Turkish (TR) | 1. Çalıřtırma düğmesi | 2. Pil | 3. Kapak | 4. Depo | 5. Meme | 6. Hortum | 7. Pil řarj cihazı |
| Japanese (JP) | 1. スタートボタン | 2. バッテリー | 3. キャップ | 4. タンク | 5. ノズル | 6. ホース | 7. バッテリーチャージャー |
| Korean (KO) | 1. 시작 버튼 | 2. 배터리 | 3. 캡 | 4. 탱크 | 5. 노즐 | 6. 호스 | 7. 배터리 충전기 |
| Croatian (HR) | 1. Start gumb | 2. Akumulatora | 3. Čep | 4. Rezervoar | 5. Sisak | 6. Crijevo | 7. Punjač akumulatora |
| Serbian (YU) | 1. Dugme za paljenje | 2. Baterija | 3. Kapici | 4. Rezervoar | 5. Cıcak | 6. Crevo | 7. Polnilnik za baterije |
| Slovenian (SI) | 1. Startni gumb | 2. Baterija | 3. Pokrov | 4. Rezervoar | 5. Šobo | 6. Cev | 7. Polnilnik za baterije |
| Czech (CZ) | 1. Tlačítko pro spuřtění | 2. Baterie | 3. Víčko | 4. Nádrž | 5. Hubice | 6. Manguera | 7. Nabíječka akumulátoru |
| USA (english) (US) | 1. Start button | 2. Battery | 3. Cap | 4. Tank | 5. Nozzle | 6. Hose | 7. Battery charger |
| USA (spanish) (UE) | 1. Botón de arranque | 2. Batería | 3. Tapa | 4. Depósito | 5. Boquilla | 6. Manguera | 7. Cargador de batería |

2



3

