

WCT

Reservdelar

Spare parts

Ersatzteile

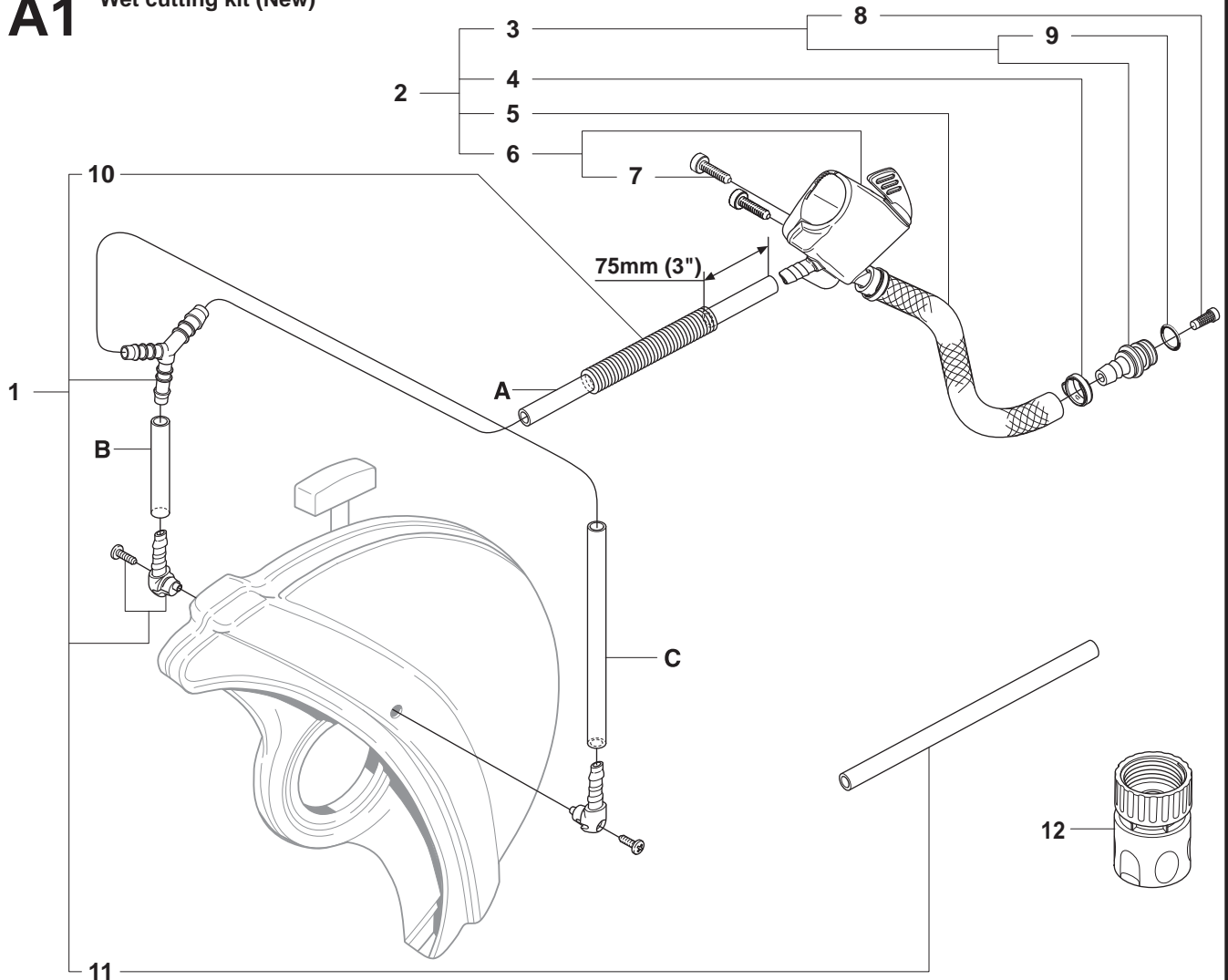
Pieces de rechange

Piezas de repuesto

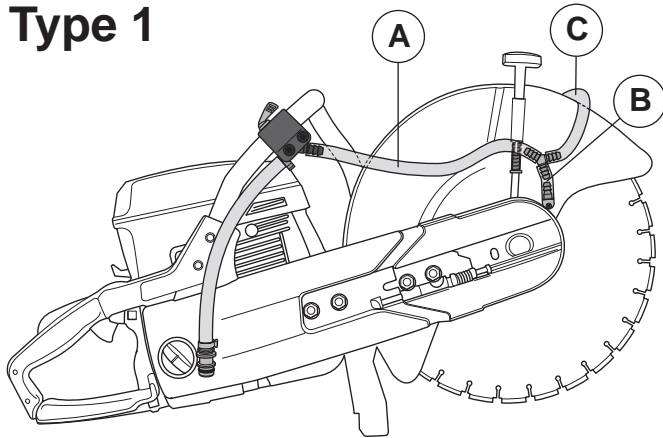
Ricambi

Peças sobresselente

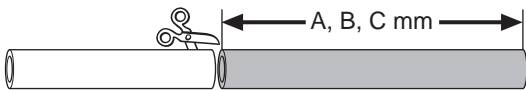
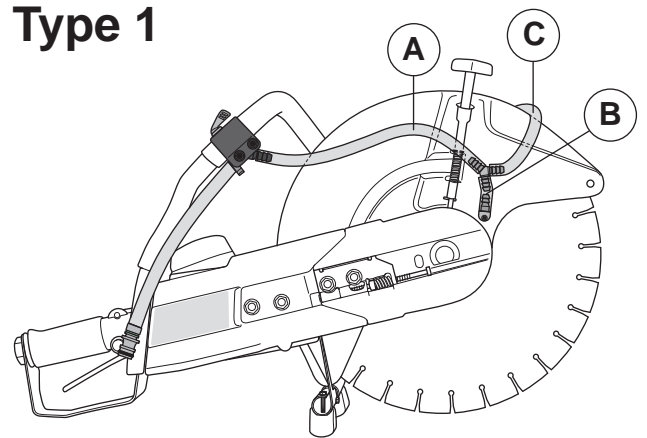
A1 Wet cutting kit (New)



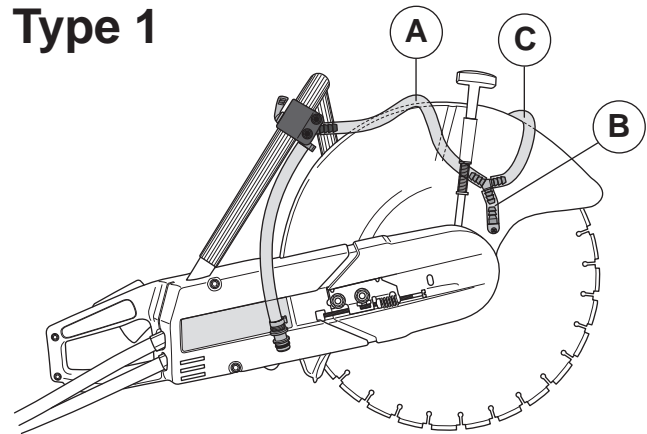
Type 1



Type 1



Type 1



Type 1 Product	A (mm)	B (mm)	C (mm)
K650A II 12"	240	45	240
K700A II 14"	240	45	280
K30 12"	270	45	210
K40 14"	240	45	300
K2500 16"	240	45	360

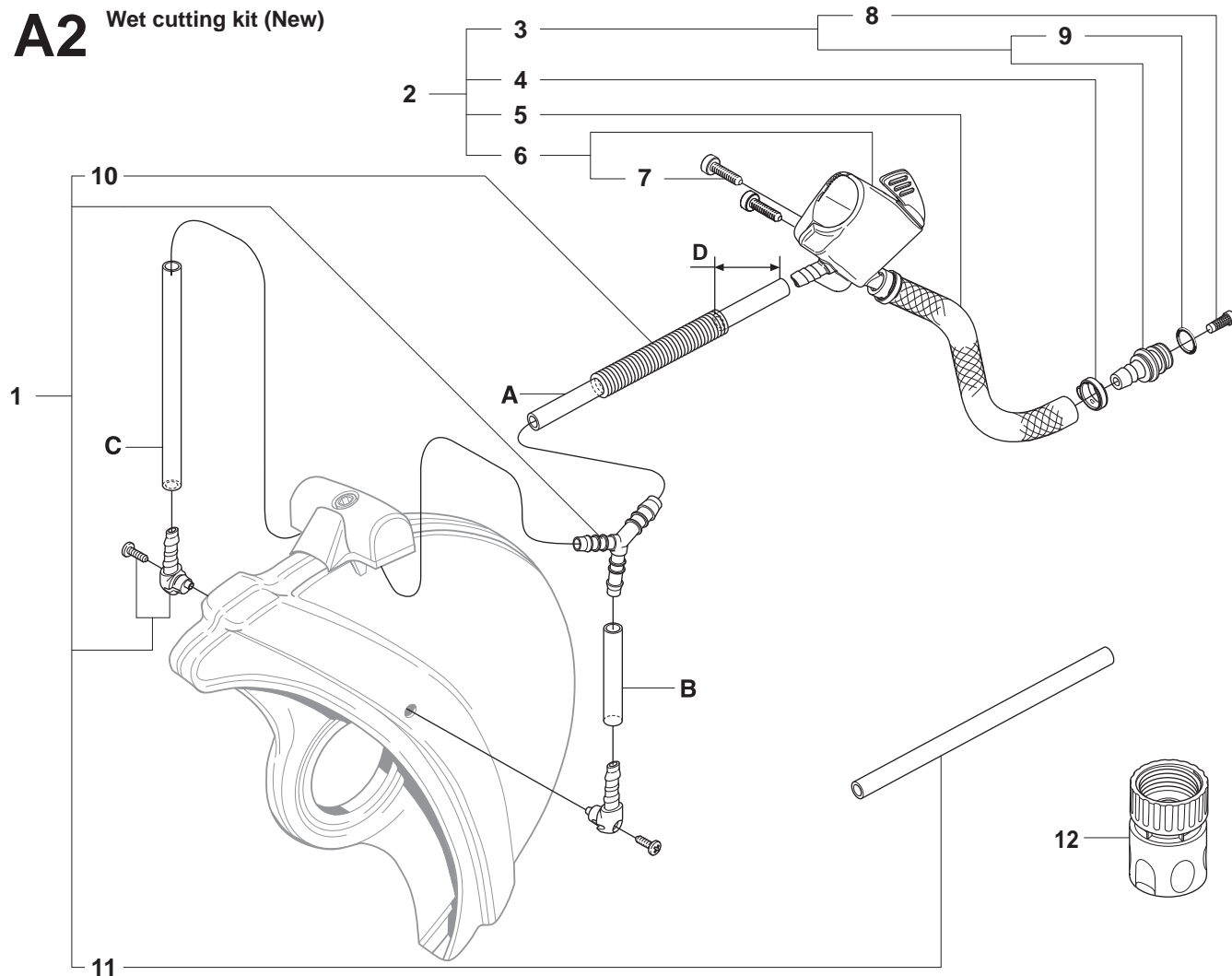
Page A1					
Wet Cutting Kit					

Pos.	Part No.	Description	Quantity	Notes	New Part
1	505 09 54-03	HOSE KIT	1	Incl. 10 - 11	New Part
2	505 09 55-02	HOSE KIT	1	Incl. 3 - 6. *)	New Part
2	506 32 90-01	HOSE KIT	1	Incl. 3 - 6 **)	New Part
3	506 29 57-02	NIPPLE	1	Incl. 8, 9	
4	506 49 87-02	HOSE CLAMP	2		New Part
5	506 60 75-01	HOSE	1	L=230mm	New Part
6	506 31 77-31	VALVE ASSY	1	Incl. 7. *)	
6	506 31 77-11	VALVE ASSY	1	Incl. 7. **)	
7	503 21 06-19	SCREW	2		
8	506 29 88-01	FILTER	1		
9	505 10 35-01	O-RING	1		New part
10	506 35 27-01	PROTECTIVE SPRING	1		
11	506 60 68-08	HOSE	1	L=720mm	New Part
12	503 26 60-03	FEMALE QUICK COUPLER	1	USA	New Part
12	503 26 60-04	FEMALE QUICK COUPLER	1		New Part

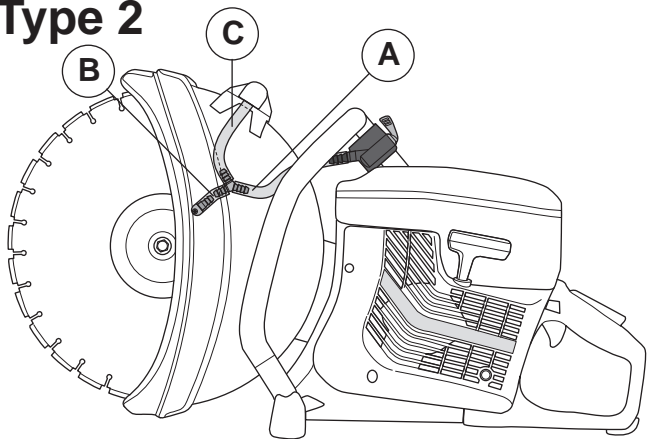
*) Husqvarna K30/K40, K950, K950 Ring, K1250, K2500, 371K/375K, 3120K

***) Partner K30/K40, K650/K700, K950, K950 Ring, K1250, K2500

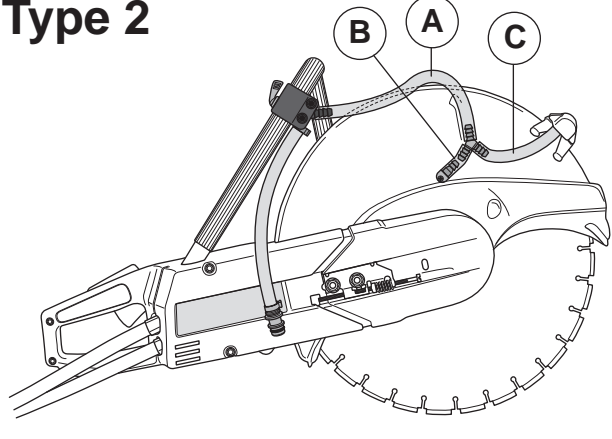
A2 Wet cutting kit (New)



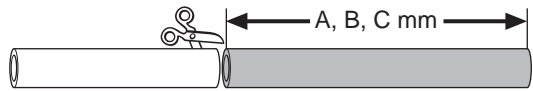
Type 2



Type 2



Type 2 Product	A (mm)	B (mm)	C (mm)	D (mm)
K650A III 12"	240	45	240	—
K700A III 14"	240	45	280	—
K750 12"	240	45	240	—
K750 14"	240	45	280	—
K950/K960 12"	240	45	240	—
K950/K960 14"	240	45	280	—
K950/K960 16"	270	45	360	75
K950/K960 Ring	180/220	—	—	30/60
K1250A 14"	280	45	280	—
K1250A 16"	270	45	360	75
K2500 16"	240	45	360	—



Type 2 Product	A (mm)	B (mm)	C (mm)
371K 12"	255	45	240
371K 14"	255	45	280
375K 12"	255	45	240
375K 14"	255	45	280
3120K 14"	280	45	280
3120K 16"	270	45	360

Page A2

Wet Cutting Kit

Pos.	Part No.	Description	Quantity	Notes	New Part
1	505 09 54-03	HOSE KIT	1	Incl. 10 - 11	New Part
2	505 09 55-02	HOSE KIT	1	Incl. 3 - 6. *)	New Part
2	506 32 90-01	HOSE KIT	1	Incl. 3 - 6 **)	New Part
2	505 09 55-01	HOSE KIT	1	Incl. 3 - 6. ***)	New Part
2	506 38 59-02	HOSE KIT	1	Incl. 3 - 6. ****)	New Part
3	506 29 57-02	NIPPLE	1	Incl. 8	
4	506 49 87-02	HOSE CLAMP	2		New Part
5	506 60 75-01	HOSE	1	L=230mm	New Part
6	506 31 77-31	VALVE ASSY	1	Incl. 7, *)	
6	506 31 77-11	VALVE ASSY	1	Incl. 7, **)	
6	506 38 60-12	VALVE ASSY	1	Incl. 7. ***)	New Part
6	506 38 60-11	VALVE ASSY	1	Incl. 7, ****)	New Part
7	503 21 06-19	SCREW	2	*), **)	
7	503 21 54-20	SCREW	2	***), ****)	New Part
8	506 29 88-01	FILTER	1		
9	505 10 35-01	O-RING	1		New Part
10	506 35 27-01	PROTECTIVE SPRING	1		
11	506 60 68-08	HOSE	1	L=720mm	New Part
12	503 26 60-03	FEMALE QUICK COUPLER	1	USA	New Part
12	503 26 60-04	FEMALE QUICK COUPLER	1		New Part

*) Husqvarna K30/K40, K950, K950 Ring, K1250, K2500, 371K/375K, 3120K

**) Partner K30/K40, K650/K700, K950, K950 Ring, K1250, K2500

***) Husqvarna K750, K960, K960 Ring

****) Partner K750

No.	Pos.	Description	No.	Pos.	Description
505 09 54-03	A1	HOSE KIT			
503 21 06-19	A1 A2	SCREW			
503 21 54-20	A2	SCREW			
503 26 60-03	A1 A2	FEMALE QUICK COUPLER			
503 26 60-04	A1 A2	FEMALE QUICK COUPLER			
505 09 54-03	A2	HOSE KIT			
505 09 55-01	A2	HOSE KIT			
505 09 55-02	A1 A2	HOSE KIT			
505 10 35-01	A1 A2	O-RING			
506 29 57-02	A1 A2	NIPPLE			
506 29 88-01	A1 A2	FILTER			
506 31 77-11	A1 A2	VALVE ASSY			
506 31 77-31	A1 A2	VALVE ASSY			
506 32 90-01	A1 A2	HOSE KIT			
506 35 27-01	A1 A2	PROTECTIVE SPRING			
506 38 59-02	A2	HOSE KIT			
506 38 60-11	A2	VALVE ASSY			
506 38 60-12	A2	VALVE ASSY			
506 49 87-02	A1	HOSE CLAMP			
506 49 87-02	A2	HOSE CLAMP			
506 60 68-08	A1 A2	HOSE			
506 60 75-01	A1 A2	HOSE			