

**EN Operator's manual p. 3**

Please read the operator's manual carefully and make sure you understand the instructions before using the machine.

DE Bedienungsanweisung p. 27

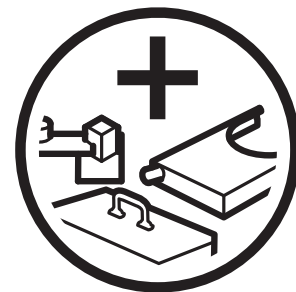
Lesen Sie die Bedienungsanweisung sorgfältig durch und machen Sie sich mit dem Inhalt vertraut, bevor Sie das Gerät benutzen.

NL Gebruiksaanwijzing p. 51

Neem de gebruiksaanwijzing grondig door en gebruik de machine niet voor u alles duidelijk heeft begrepen.

IT Istruzioni per l'uso p. 75

Prima di usare la macchina, leggere per intero le istruzioni per l'uso e accertarsi di averne compreso il contenuto.

RC 455**EN DE NL IT**

English

Content

Key to symbols	5
Safety Instructions	6
Introduction	8
What is what	9
Technical data	11
Assembling/Installing equipment	12
Work process for wall sawing	13
Start blade rotation	13
After work is completed.....	13
Work procedure for wire cutting.....	14
Menu functions	15
Start menu	15
Operations menu.....	15
Charge the battery	17
Settings	18
Error messages.....	22
EU declaration of conformity	25

Key to symbols

The symbols below are used on the machine and in this Operator's Manual. It is important that the user understands the significance of these in order to work with the machine safely.

Manual

Please read the Operator's Manual carefully and understand the contents before the machine is started.



Protective equipment

Always wear:

- Approved protective helmet.
- Approved hearing protection.
- Approved protective glasses or a visor, and other essential safety equipment.



Warning

A large warning triangle with the text "Warning" signifies that there is a risk of serious personal injury or even death.



Caution

A smaller warning triangle with the text "Note" signifies that there is a risk of minor personal injury or damage to the machine.



Remark

A hand with a raised index finger with the text "Attention" signifies that a described element demands extra attention.



CE

This symbol indicates that the machine conforms to applicable EU directives.



Electrical Warning

This symbol warns that there is high voltage present.



Environmental marking

Symbols on the product or its packaging indicate that this product can not be handled as domestic waste. It must instead be submitted to an appropriate recycling station for the recovery of electrical and electronic equipment.

By ensuring that this product is taken care of correctly, you can help to counteract the potential negative impact on the environment and people that can otherwise result through the incorrect waste management of this product.

For more detailed information about recycling this product, contact your municipality, your domestic waste service or the shop from where you purchased the product.



Safety Instructions

During the design and production of Husqvarna products, great importance is placed on safety, as well as effectiveness and ease of use. To ensure that the machine remains safe you must pay attention to the following points:



WARNING!

This machine is only intended to be used together with Husqvarna WS 355, 463, 462, 460 or DIMAS CS2512. All other use is forbidden.



CAUTION

Under no circumstances may the machine be started without observing the safety instructions. Should the user fail to comply with these, Husqvarna Construction Products Sweden AB or its representatives are free from all liability both directly and indirectly. Read through these operating instructions and make sure that you understand the contents before starting to use the machine. Should you, after reading these safety instructions, still feel uncertain about the safety risks involved you must not use the machine. Please contact your dealer for more information.

- Check that all couplings, connections and hydraulic hoses are in full working order.
- All operators shall be trained in the use of the machine. The owner is responsible for ensuring that the operators receive training.
- Make sure that all hoses and electrical cables are connected to the machine correctly before you start the machine.
- People and animals can distract you, causing you to lose control of the machines. For this reason, you should concentrate and focus on the task at hand.
- Never leave the machine unsupervised with the motor running.
- Make sure no clothing, hair or jewellery can fasten in moving machine parts.
- Onlookers can be injured. You should never, therefore, start the machine without being certain that no people or animals are within the work area. Secure the work area by cordoning off if necessary.
- Never disconnect any of the hydraulic hoses without first shutting off the unit and ensuring the motors have stopped completely.
- If despite all precautions an emergency situation should arise, press the red emergency stop button on the side of the remote control or press the green start/stop button on the remote control.
- Wear suitable personal protective equipment, such as a helmet, protective shoes, eye and hearing protection. Hearing protection must always be worn as sound levels exceed 85 dB(A).
- Working close to power lines:

When using hydraulic tools close to power lines, the hydraulic hoses must be marked and approved as "non-conducting dielectric". The use of any other type of hoses can result in serious physical injury or even death.

When replacing hoses, hoses marked "non-conducting dielectric" must be used. The hoses must be regularly checked for their electrical conductive insulation in accordance with special instructions.
- Working close to gas conduits:

Always check and mark out where gas pipes are routed. Working close to gas pipes always entails danger. Make sure that sparks are not caused in view of the risk of explosion. Remain concentrated and focused on the task. Carelessness can result in serious personal injury or death.
- Mark out all hidden pipes such as water pipes and gas pipes.
- Check that power cables and the Canbus cable are not damaged or can be damaged while working.
- Check tools, hoses, and connections daily for leakage. A crack or leak can cause "hydraulic fluid injection" in the body or result in other serious personal injury.
- Do not exceed the rated working pressure for the specific tool or hydraulic hose. Increased pressure can cause leakage or bursting.
- Do not check for leakage with your hands, contact with the leak can result in serious personal injury caused by the high pressure in the hydraulic system.
- The tool must not be carried or lifted by the hoses.
- Do not misuse hoses.
- Do not use hoses that are twisted, worn, or damaged.
- Check that the hoses are connected correctly to the tool and that the hydraulic couplings lock as intended before pressurising the hydraulic system. The couplings are locked by turning the outer sleeve on the female coupling so that the slot moves away from the ball.

The pressure hoses in the system must always be connected to the tool's intake. The return hoses in the system must always go to the tool's outlet. Confusing the connections can cause the tool to work in reverse, which can result in personal injury.

- Keep the hydraulic couplings clean and free of dirt.
- Always switch on the remote control's emergency stop switch before transporting the equipment.
- Check that the hydraulic hoses are not damaged and cannot become damaged during cutting. Leakage can lead to the risk of slipping.
- Make sure that there is always another person close at hand when you use the machines, so that you can call for help if an accident should occur.
- Do not use machines if they do not function as they should.
- Do not modify safety equipment. Check regularly that they function as they should. The machine must not be run with defective or disassembled safety equipment.
- Regulations for the prevention of accidents, and other general safety and occupational health regulations, must always be followed.
- Make sure that you always have a first-aid kit close at hand when using the machines.
- Keep all parts in good working order and ensure that all fixtures are properly tightened. Replace all worn or damaged decals.

- Store the machines in a locked area, where they are inaccessible to children and adults who have not been trained to operate the machines.
- Pay attention to the risk of fire from sparks and heat. If there are no local fire protection regulations for cutting or grinding machines, follow the regulations for welding.



WARNING!

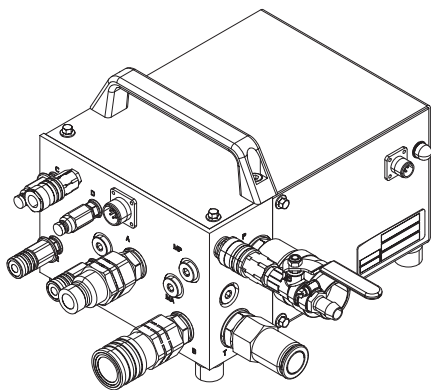
Always use approved protective clothing and approved protective equipment when using the machine. Protective clothing and protective equipment cannot eliminate accident risks, but by using the right clothes and equipment you can reduce the seriousness if an accident should occur. Ask your dealer about approved and recommended protective clothing and protective equipment.

Introduction

Husqvarna RC 455 "Smartbox" is a small and compact control unit developed for use as a link between the hydraulic unit without control valves such as a diesel-driven generating set and Husqvarna WS 355, WS 462, WS 463 and CS 2512.

As RC 455 is equipped with a priority valve, the diesel-driven generating set, which can supply a flow, can be used to control machines that are driven by several different flows, for example, to drive the blade and motion.

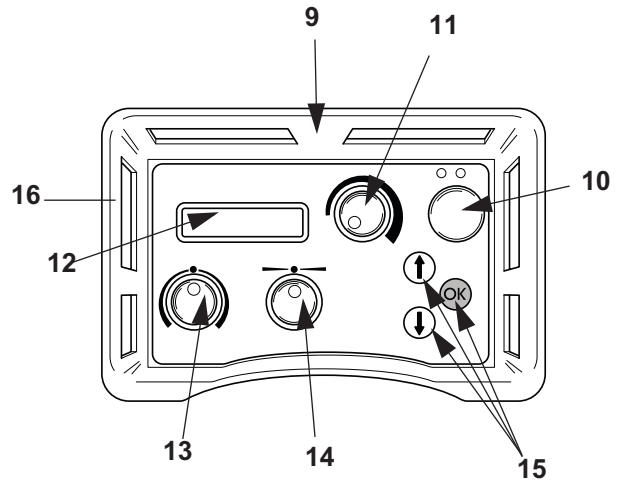
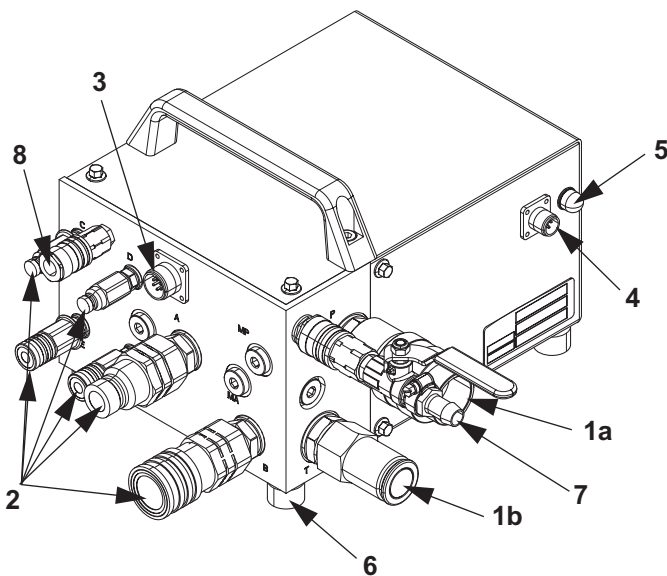
By connecting the above units to RC 455, they can be controlled in the same way as if they were connected to a PP 455 E hydraulic unit.



RC 455 is supplied with the following equipment:

- 1 x RC 455
- 1 x remote control
- 1 x hose assembly, 8 m
- 1 x Canbus cable, 8 m
- 1 x 12 V DC connection cable

What is what



1. Incoming hydraulic connections

The hoses from the hydraulic unit are connected to these 3/4-inch couplings. This is the machine's input flow. The flow in the hose connected to the female coupling (1a.) drives the tool, while the flow through the male coupling (1b) is the return flow to the hydraulic unit.

2. Outgoing hydraulic connections

The supplied hydraulic hoses are connected to these. These are then connected to suitable hydraulic tools.

The large couplings control the drive of the attached tool while the smaller control the blade and trolley motion. The flow in the hoses with female couplings control the trolley motion while the male couplings control the blade motion.

3. Canbus cable connection

The Canbus cable that sends the control signals between RC 455 and the remote control is connected here. The Can bus cable is equipped with a locking mechanism so the cable is not loosened unintentionally.

4. 12 volt DC connection

The power that drive RC 455 is connected here. The power is appropriately taken from the hydraulic unit used together with RC 455. The connection is equipped with a locking mechanism so that the cable is not loosened unintentionally.

The 12 volt cable is supplied from the factory with a "Pig tail". This is connected by the operator to the available Hydraulic unit. See also under "Assembling/ Installing equipment"

5. Automatic fuse

Trips when the incoming 12 volt DC current is too high. Press in to reset.

6. Feet

Protect the machine against vibrations and dirt.

7. Incoming water connector

8. Outgoing water connector

9. Remote control

The remote control is used to control RC 455. In order for the remote control to work the hydraulic unit's ignition must be switched on.

10. Flow off/on

This is the only control from which the hydraulic unit can start the hydraulic flow.

Pressing the control once brings the hydraulic unit up to working speed and it starts to produce a flow. Stop the flow by pressing the start button once again or press in the emergency stop button on the left-hand side of the remote control.

11. Blade rotation

Control to start blade rotation/wire drive. In order for the blade to reach full power, the control must be turned to the right-hand end position.

12. Display

Information is given on the display about essential settings, service requirements and any faults.

When working, the display shows the current main pressure for blade rotation (not the motion pressure).

13. Blade motion

Control for moving the blade. From here you control the blade motion or the wire tension when wire cutting.

14. Trolley motion

Control for horizontal motion of the saw unit. The direction and speed are controlled from here. When the horizontal motion is increased, the blade rotation pressure also increases. This can be read on the display.

15. Option keys

The arrow keys are used to:

- Scroll through the menus.
- Increase/decrease numerical values.

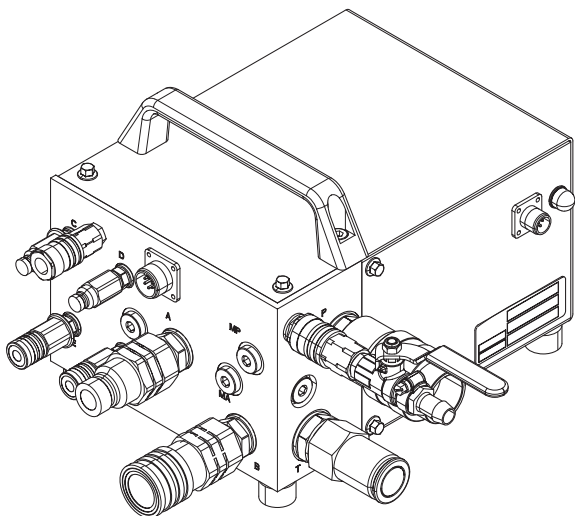
The "OK" confirmation key is used to:

- Open sub-menus.
- Confirm values that have been adjusted with the keys.
- Switch on/switch off sensors.

16. Emergency stop

There is an emergency stop switch located on the side of the remote control. When the emergency stop switch is pressed in the attached tool stops working and the hydraulic unit starts to idle.

Technical data



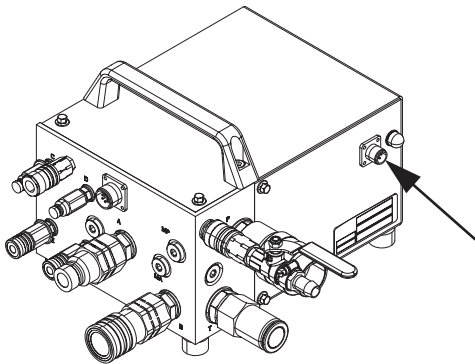
Max. flow	115 l/min (30 GPM)
Max pressure	230 bar (3340 psi)
Rec. hydraulic oil flow from the hydraulic unit:	
WS 463	80 l/min (21 GPM)
WS 462	70 l/min (18.5 GPM)
CS2512	80 l/min (21 GPM)
Weight	19.6 kg (43.3 lbs)
Power supply	12 V DC
Hose assembly	8 m

Assembling/Installing equipment

When the RC 455 is delivered there is only one 12 V DC connector on the power cable. In order for the machine to work, the end of the cable not fitted with a connector is connected to the hydraulic unit's outgoing power cable.

When the machine has been transported to an appropriate site and the hydraulic tool to be used is correctly attached, the machine should be connected:

1. Turn on the ignition on the diesel-driven generating set without starting the diesel engine.
2. Connect the incoming power cable from the diesel-driven generating set to RC 455.

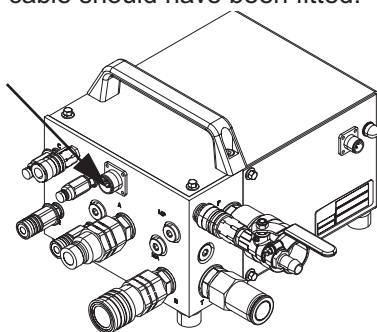


WARNING!

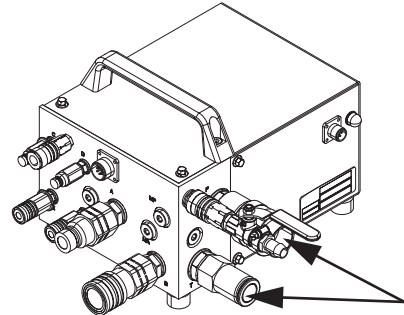
The RC 455 may only be connected to 12 V DC voltage. If the machine is connected to a higher voltage, the equipment can be damaged and the operator can be seriously injured.

3. Connect the remote control using the supplied Canbus cable. Tighten the cable connector by hand.

When the machine is equipped with a radio, a radio antenna can be connected instead of a Canbus cable. This is screwed into the same socket as where the Canbus cable should have been fitted.



4. Check that the emergency stop on the remote control is not activated. The display on the remote control now shows "SMARTBOX CONNECT HOSE ASSEMBLY"
5. Connect the incoming hydraulic hoses from the diesel-driven generating set to RC 455.



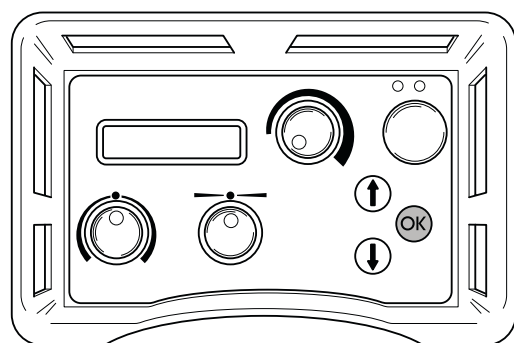
6. If CS2512 is to be used, connect the pressure reduction block's female couplings to the male couplings on RC 455.
7. Connect the hydraulic hoses from RC 455. There are two types of hydraulic hoses between RC 455 and the selected tool (WS 462, 463 or CS 2512):

On a wall saw in the WS 400 series, the four thin hoses control the saw's motion motors, i.e. the saw's blade motion and trolley motion. The two thick hoses drive the blade.

When a wire saw CS 2512 is connected to the unit, the two thin hoses control the tension on the magazine arm while the two thick hoses drive the wire.

The hoses in the hose assembly marked with red discs by the coupling are to be connected to the couplings marked with similar discs.

8. When all hydraulic hoses are connected, confirm on the remote control with "OK"



9. Start the diesel-driven generating set's engine and let it idle.
10. The display now shows "SMARTBOX START MOTOR". If the display does not show this, follow the instructions shown on the display.
11. Check that all the equipment is ready for use.

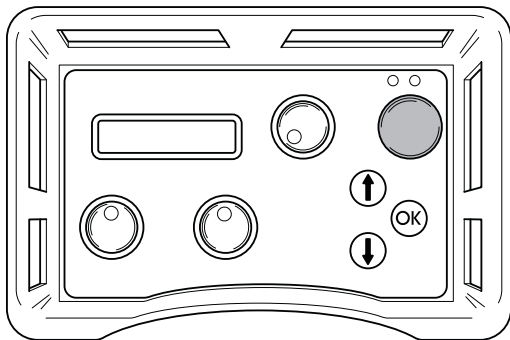
Work process for wall sawing

Start blade rotation

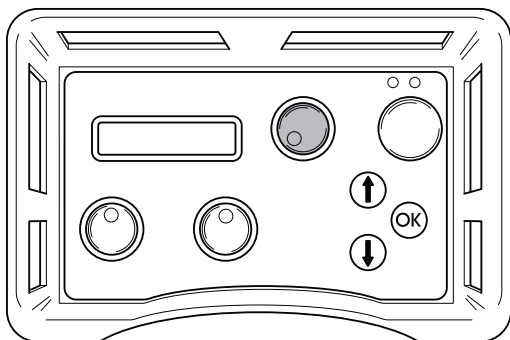
1. Start the motor on the hydraulic unit by pressing the remote control's green button once.

When the motor starts, the diesel-driven generating set goes from idling to working speed and starts to produce a flow.

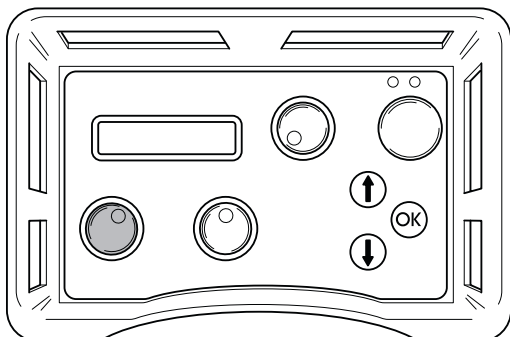
Press the green button on the remote control once more to stop the motor.



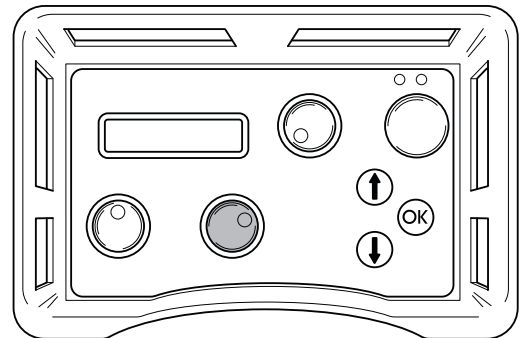
1. Turn the control for blade rotation to its maximum position to start blade rotation and the water coolant.



2. Start the blade motion by turning the blade motion knob on the remote control.

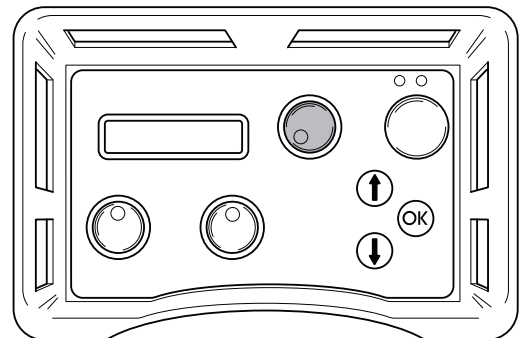


3. Start the horizontal motion by turning the horizontal motion knob in the desired direction.

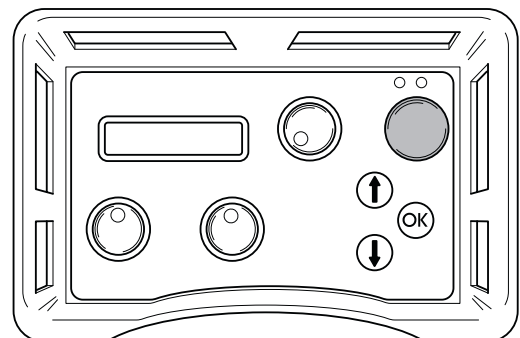


After work is completed

1. After the work is completed, shut down the blade rotation by turning the knob on the remote control back to "0"



2. Run down the engine to idling by pressing the remote control's green button.



CAUTION

Always clean all the equipment at the end of the working day

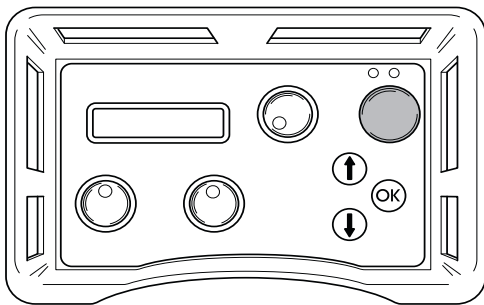
Work procedure for wire cutting

When all the equipment has been assembled cutting can start. In order for the saw to cut as efficiently as possible it should be started as follows:

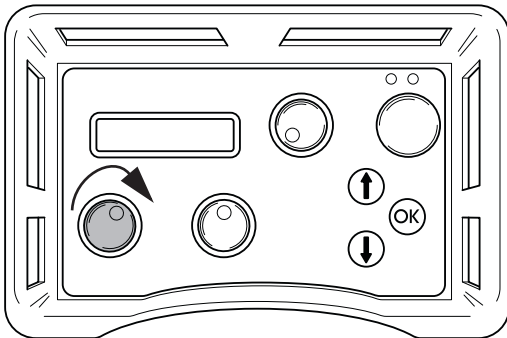
1. Assemble the pressure reduction block supplied with the wire saw on the hydraulic unit according to the instructions on the block.
2. Connect the two smaller hydraulic hoses to the pressure reduction block. The hoses in the hose assembly marked with a red disc by the coupling shall be connected to the hose on the pressure reduction block that is also fitted with a disc.
3. Close the valve on the pressure reduction block by turning the knob anti-clockwise until it stops and then two turns back.
4. Start the engine's working speed by pressing the green button on the remote control once.

The engine on the diesel-driven generating set changes from idling to working speed and starts to produce a flow.

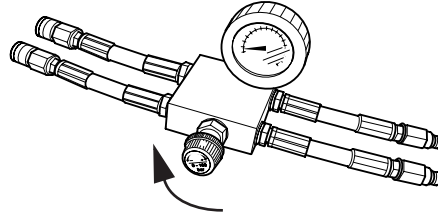
To stop the flow and to get the hydraulic unit's motor to idle, press the green button on the remote control once again.



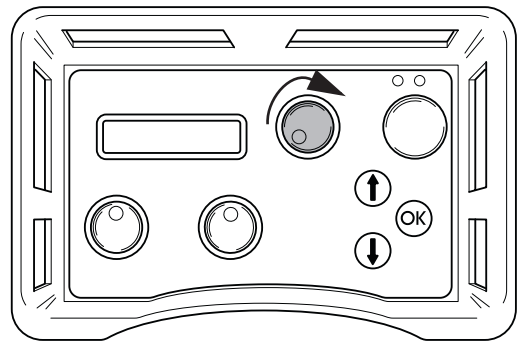
5. Set the feeding flow on the unit to max by turning the control on the remote control clockwise.



6. Tension the wire by carefully turning the knob on the pressure reduction block clockwise until the wire is tensioned sufficiently. Make sure to always check that the wire is seated correctly in all the wheels on the saw.

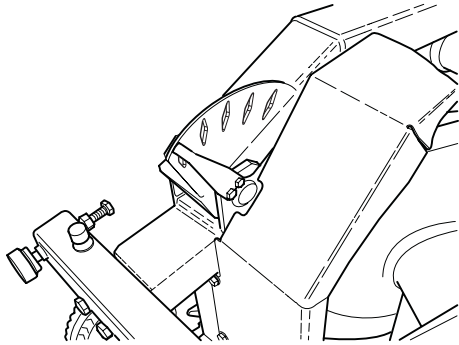


7. Start the motor's rotation by turning the control for motor rotation on the remote control clockwise.



8. Carefully increase the motor speed by turning the control for motor rotation. A suitable working pressure when cutting usually lies between 100 and 130 bar, but varies depending on how many wheel sets are used in the magazine, how much wire is in use and the hardness of the material to be cut.
9. When material is cut away the working pressure can drop, which is shown on the display, and the magazine must be tensioned. Do this by turning the knob on the pressure reduction block clockwise.

10. The output tension on the magazine is shown by an indicator on the machine (shown in the min position). When the magazine cylinder is fully tensioned, the machine must be stopped and the wire must be wound around a new wheel set. Then continue to cut as above.



CAUTION

Always clean all the equipment at the end of the working day

Menu functions

The menus, shown on the display, are grouped in menus, sub-menus ("Settings") and part menus. The menus are divided into two sections:

- Start menu: Here you can select under which conditions the hydraulic unit shall work.
- Operations menu: Information concerning the operating status is shown here.

Start menu

The start menu is shown each time the power to the hydraulic unit is switched on. The display shows:

SMARTBOX Connect hose assembly

- Press OK when all hoses are connected. Step 2 is then displayed.

Operations menu

The operations menu starts after the hoses have been connected and the operator confirms with "OK". All information about operations and all setting options are accessed from this menu.

The operations menu consists of seven menus:

1. 1a. Husqvarna PP-455, 1b Status
2. Settings
3. Time
4. Total machine time
5. Battery status (only machines equipped with a radio)
6. Radio channel (only machines equipped with a radio)

1.a. Husqvarna SMARTBOX, Start motor

Press the green button on the remote control to start the motor.

1b. Status

Status is the main information that is always shown on the display when hydraulic unit with connected machine is operational:

- STATUS OK, signifies that the unit is operational and no warning messages have been issued.
- yyy BAR, where yyy represents the instantaneous operating pressure.
- When time is switched on:
mm:ss, is also shown, i.e. the time in minutes and seconds.

**CAUTION**

Long electrical cables with a small core cross section can result in a voltage drop. Even long hydraulic hoses can be affected by a pressure drop.

4. Settings

Via this sub-menu a number of values can be changed to affect the hydraulic unit's characteristics.

To access the sub-menu: State the four digit PIN-code 0012 with the help of the arrow keys and the OK button.

To save the settings; select "Save" in sub-menu 3 "OUT SETTINGS".

Refer to the "SETTINGS" section for complete information about the setting options,

5. Time

The function is used to measure the amount of time a job takes. The time is counted from when the saw starts working. Select:

- ON, to enable.
- OFF, to disable.
- RESET TIME, to reset.

Quit by pressing OK. The main information "Status" is then shown on the display.

When you select time ON (and when the hydraulic unit is operational, see 1.b) 00:00 is also shown in the lower right corner of the display. Press arrow down to continue in the operations menu.

The total time that the hydraulic unit has been operational is shown here. The time is stated in hours and minutes (hhhh:mm).

7. Battery status (only machines equipped with a radio)

This function checks the remote control's battery. Different messages are shown on the display, depending what is currently happening with the battery:

- 0% BATTERY 100%

When the remote control is connected and the battery is being charged a horizontal column is shown below the 0 % - 100 % scale. The column length against the scale shows how much of the charge remains in the battery.

- CHARGING THE BATTERY

Show when the remote control is connected and the battery is charging. The charging time from 0 % to 100 % is approximately 9 hours.

- BATTERY FULLY CHARGED

Shown when the battery is charged to 100 %.

- BATTERY DISENGAGED

shown when the battery is disengaged from the remote control. The message is also shown when the charging unit in the remote control has been damaged.

Charge the battery



NOTE!

This chapter only concerns machines equipped with a radio.

The remote control is equipped with a 7.2 volts battery. The emergency stop on the remote control should always be in the extended position when charging.

The battery can be charged as follows:

With the Canbus Cable (Part No. 531 11 50-12)

With the charging cable to the 12 volts outlet in the car (Part No. 531 14 20-92)

With the charging cable to the battery charger (Part No. 531 11 72-54)

With the Canbus cable

Connect the Canbus cable between the remote control and the unit. Make sure that none of the emergency stops are pushed in and that the power unit is voltage fed.

Display "CHARGING THE BATTERY".

The power unit can be used during charging.

Charging takes approximately 10 hours.

With the charging cable

Connect the charging cable between the remote control and the 12 volt outlet in the car. Check that the emergency stop on the remote control is not pushed in. The display shows CHARGING THE BATTERY when charging is in progress.

The charging time is approximately 6 hours.

NOTE! ONLY 12 V

To charge with the battery charger

Connect the charging cable between the remote control and the battery charger. Now connect the battery charger to a mains socket. Check that the emergency stop on the remote control is not pushed in. The display shows CHARGING THE BATTERY when charging is in progress.

The charging time is approximately 6 hours.

8. Radio channel

When the remote control is only used in battery mode, a radio antenna must first be connected to the smartbox:

Remove any cable connection.

Push in the antenna's connector in the socket on the smartbox. Make sure that the slot in the antenna connector aligns in the socket.

Screw on the connector's ring on the socket.

A radio channel must be selected when the antenna is connected. Select:

0, 1 or 2

Confirm the selection by pressing OK and then arrow down. The main information "Status" is then shown on the display. Press arrow down again to continue in the operations menu.

Settings

All Setting options for the hydraulic unit and the remote control are accessed via this sub-menu.

A four digit code must be entered to access the settings sub-menu. This code is 0012.

The code is stated one digit at a time, from left to the right. The arrow keys scroll from 0-9 and the OK button confirms.

The "SETTINGS" menu consists of seven sub-menus, which in turn consist of a number of part menus:

1. Select language
2. Adjust the hydraulic valve for the blade
3. Adjust the hydraulic valve for the feed
4. Sensor on/off calibrate
5. Hydraulic unit settings
6. Basic setting
7. Out settings

The numbers refer to the following headings.

1. Select language

Using this sub-menu you can set the language you wish to use on the display.

The sub-menu always has the heading in English. The selected language is stated under heading.

To select the language:

- Scroll using the arrow keys until the required language is shown.
- Press OK.
- Press the down arrow to continue to the next sub-menu.

2. Adjust the hydraulic valve for the blade

This sub-menu contains setting options for the rotation of the blade and consists of three part menus:

Change the start point for the blade

Change the end point for the blade

Change the ramp time for the blade

2.1. Change the start point for the blade

The start point value should be adjusted so that the blade rotation is as low as possible when the blade rotation knob is turned from its left-hand position.

A too low value results in the need to turn the knob before the blade starts to rotate.

A too high value results in the blade rotating too quickly when the knob is turned.

2.2 Change the end point for the blade

The end point value should be adjusted so that the blade rotation is as high as possible when the blade rotation knob is turned to the right.

A too low value results in full power from the hydraulic unit never being reached.

State the end point value:

- Press OK when the part menu is shown.

The display shows: CHANGE END POINT and a percentage value.

Scroll using the arrow keys to state the required end point. Hold the arrow key held down to increase the scrolling speed. The scale is graduated from 1-100 %.

- Press OK.
- Press the down arrow to continue to the next part menu.

2.3 Change the ramp time for the blade

The ramp time value states how fast the blade's speed of rotation shall change when the blade rotation knob is turned.

A too low value means the blade motor's hydraulic system will start to self-oscillation.

State the ramp time value:

- Press OK when the part menu is shown.

The display shows: CHANGE RAMP TIME and the time in seconds.

- Scroll using the arrow keys to state the required ramp time. Hold the arrow key held down to increase the scrolling speed. The scale is graduated from 0.0 to 9.9 seconds.
- Press OK.
- Press the down arrow to continue to "Back to the menu".

This sub-menu contains setting options for blade feed, both horizontally and depth.

The sub-menu consists of five part menus:

3.1 Change the start point for the trolley motion

3.2 Change the end point for the trolley motion

3.3 Change the start point for blade motion

3.4 Change the end point for blade motion

3.5 Change the ramp time for the feed

3.1 Change the start point for the trolley motion

The start point value should be adjusted so that the trolley motion is as low as possible when the trolley motion knob is in the zero position, i.e. in the middle of the left and right end positions.

A too low value results in the need to turn the knob further from the zero position before the trolley motion starts.

A too high value results in the trolley motion being too high when the knob is turned from the zero position.



NOTE!

Wear to the proportional valve and hydraulic motor can result in the need to adjust the start point value.

State the start point value:

- Press OK when the part menu is shown.
- The display shows: CHANGE START POINT and a percentage value.
- Scroll using the arrow keys to state the required start point. Hold the arrow keys held down to increase the scrolling speed. The scale is graduated from 1-100 %.
 - Press OK.
 - Press the down arrow to continue to the next part menu.

3.2 Change the end point for the trolley motion

The end point value should be adjusted so that the trolley motion speed is as high as possible when the trolley motion knob is turned to the right.

A too low end point value results in the full trolley motion speed never being reached.

State the end point value:

- Press OK when the part menu is shown.
- The display shows: CHANGE END POINT and a percentage value.
- Scroll using the arrow keys to state the required end point. Hold the arrow key held down to increase the scrolling speed. The scale is graduated from 1-100 %.
 - Press OK.
 - Press the down arrow to continue to the next part menu.

3.3 Change the start point for blade motion

The start point value should be adjusted so that the blade motion is as low as possible when the blade motion knob is in the zero position, i.e. in the middle of the left and right end positions.

A too low value results in the need to turn the knob further from the zero position before the blade motion starts.

A too high value results in the blade motion being too high when the knob is turned from the zero position.

State the start point value:

- Press OK when the part menu is shown.
 - Press OK.
- The display shows: CHANGE START POINT and a percentage value.
- Scroll using the arrow keys to state the required start point. Hold the arrow key held down to increase the scrolling speed. The scale is graduated from 1-100 %.
 - Press OK.
 - Press the down arrow to continue to the next part menu.

3.4 Change the end point for blade motion

The end point value should be adjusted so that the blade motion speed is as high as possible when the blade motion knob is turned to the right.

A too low value results in the full blade motion speed never being reached.

State the end point value:

- Press OK when the part menu is shown.
- The display shows: CHANGE END POINT and a percentage value.
- Scroll using the arrow keys to state the required end point. Hold the arrow key held down to increase the scrolling speed. The scale is graduated from 1-100 %.
 - Press OK.
 - Press the down arrow to continue to the next part menu.

3.5 Change the ramp time for the feed

The ramp time value states how quickly the feeding speed shall change when the blade motion knob or the trolley motion knob is turned.

The defined ramp time value for feeding applies to both for the blade motion and the trolley motion speeds.

State the ramp time value:

- Press OK when the part menu is shown.
- The display shows: CHANGE RAMP TIME and the time in seconds.
- Scroll using the arrow keys to state the required ramp time. Hold the arrow key held down to increase the scrolling speed. The scale is graduated from 0.0 to 9.9 seconds.
- Press OK.
- Press the down arrow to continue to "Back to the menu".

4 Sensor on/off calibrate

This sub-menu contains the setting options for the hydraulic unit's different pressure sensors.

The sub-menu consists of seven part menus:

- 4.1 Temperature sensor for hydraulic oil
- 4.2 Pressure sensor for the filter
- 4.3 Voltage sensor
- 4.4 Pressure sensor for hydraulic pressure
- 4.5 Calibrate pressure sensor for hydraulics
- 4.6 Calibrate voltage sensor
- 4.7 Calibrate potentiometer

4.1 Temperature sensor for hydraulic oil

A temperature sensor is fitted by the electronic card. The sensor ensures that the electronics do not overheat.

When the temperature sensor is on, the control system continuously reads the temperature.



NOTE!

The hydraulic unit can be damaged, if the temperature sensor is switched off.

Turn on/ turn off the temperature sensor:

- Press OK when the part menu is shown.
The display shows: TEMP. SENSOR FOR HYDR. OIL and ON or OFF.
- Press OK to switch between ON and OFF.
- Press the down arrow to continue to the next part menu.

4.4 Pressure sensor for the hydraulic pressure

The pressure sensor measures the hydraulic pressure to the blade



NOTE!

The hydraulic unit's control system switches off, if the pressure sensor is switched off. The hydraulic system may then be difficult to control with a high load.

Turn on/ turn off the pressure sensor:

- Press OK when the part menu is shown.

The display shows: PRESSURE SENSOR FOR HYDRAULIC PRESSURE and ON or OFF.

- Press OK to switch between ON and OFF.
- Press the down arrow to continue to the next part menu.

4.5 Calibrate pressure sensor for hydraulics

The pressure sensor that measures the oil pressure for blade rotation is possible to calibrate.

The pressure sensor must be calibrated according to the order zero point and maximum point.

To calibrate the zero point:

1. Connect the incoming power cable to 63 A.
2. Connect an oil pressure reducing valve with a pressure gauge to the blade rotation's hydraulic couplings.
3. Select the sub-menu "Sensor on/off calibrate" from the "Settings" menu.
4. Scroll using the arrow keys and press OK when "Calibrate pressure sensor for hydraulics" is shown.
5. Press OK again when the display shows CALIBRATE ZERO POINT.
6. Start the hydraulic unit.
7. Adjust the oil pressure reduction valve to 0 bar.
8. Press arrow up/down until the value for the oil pressure is shown as 0 bar, i.e. the same value as on the pressure gauge on the oil pressure reduction valve.

9. Press OK to execute calibration

To calibrate the maximum point:



NOTE!

Calibrate the zero point (see previous page) before the maximum point. This is so you do not miss to start the hydraulic unit

1. Select the sub-menu "Sensor on/off calibrate" from the "Settings" menu.
2. Scroll using the arrow keys and press OK when "Calibrate pressure sensor for hydraulics" is shown.
3. Press OK again when the display shows CALIBRATE MAX POINT.
4. Adjust the oil pressure reduction valve to 215 bar.
5. Press arrow up/down until the value for the oil pressure is shown as 215 bar, i.e. the same value as on the pressure gauge on the oil pressure reduction valve.
6. Press OK to execute calibration.
7. Press the down arrow to continue to the next part menu.

4.7 Calibrate potentiometer

This function is used when calibrating the zero positions on the knobs for blade motion and trolley motion .

To calibrate the zero positions:

1. Scroll using the arrow keys and press OK when "Calibrate potentiometers" is shown.

The display shows: CALIBRATE 0 0. The left-hand digit refers to the blade motion and the right digit refers to the trolley motion.

When the knobs are turned from the zero position the zeros are shown and a number of >>>. The number of arrows depends on how far the knobs are from the zero positions.

1. Remove the knobs by unscrewing the screws located on the side of each knob. Use an allen key.
2. Turn the shafts until only two zeros are shown on the display.
3. Fit the knobs again.
4. Adjust the plastic washer.
5. Press OK.
6. Press the down arrow to continue to "Back to the menu".

5 Settings Smartbox

This sub-menu contains information about the hydraulic unit and functions for setting of units and the PIN code. The sub-menu consists of six part menus:

1. Husqvarna Smartbox version
2. AM (American) units
3. Radio ID
4. ID Hydraulic unit
5. PIN code
6. Change the PIN code

1. Husqvarna Smartbox version. The display shows the version number, for example 2.0, for the software.
 - Press the down arrow to continue to the next part menu.
2. AM units. The display shows: AM units and ON or OFF. When the function is ON American units are used in the menu system.
 - Press the down arrow to continue to the next part menu.
3. Radio ID

In order to make radio contact with the remote control and the hydraulic unit an ID number must be stated. The CAN cable must be connected between the remote control and the hydraulic unit to change the ID number.

- Press OK when the display shows RADIOID 0 0.
 - The left-hand digit refers to the high byte and the right digit refers to the low byte.
- State, with the arrow keys, the high byte and press OK.
- State, with the arrow keys, the low byte and press OK.
- Press the down arrow to continue to the next part menu.

From the factory the ID number is the same as the machine number. If the remote control or the hydraulic unit are replaced or reprogrammed, an ID number must be stated. As a suggestion, change to the hydraulic unit's ID number.

4. ID Hydraulic unit

The display shows the identity number for the hydraulic unit. The identity number must be greater than 0.

- Press the down arrow to continue to the next part menu.

5.5 PIN code

When the function is actuated a four digit PIN code is requested each time the remote control is switched on. The first time the code is 0000. When the wrong PIN code is stated 4 times in succession the hydraulic unit is locked. A PUK code (provided by Husqvarna) must then be stated to unlock the unit.

The display shows: PIN code and ON or OFF.

To activate or deactivate:

- Press OK to switch between ON and OFF.
- Press the down arrow to continue to the next part menu.

5.6 Change the PIN code

- Press OK when the display shows CHANGE PIN CODE.
- State the current PIN code and press OK
- When changing for the first time the code is 0000.)
- State the new PIN code and press OK.
- State the new PIN code again to confirm and press OK.
- Press the down arrow to go to "Back to the menu".

6. Basic setting

This function restores all the menu settings to the factory settings. The PIN code is also restored.

The display shows: DEFAULT SETTING and ON or OFF. OFF is shown when a change has been made that differs from the default settings.

7 Out settings

This function confirms or rejects all settings made before the operations menu is shown again.

- Press OK when the display shows OUT SETTINGS.
- The display shows: SAVE? NO. To not implement the made settings:
- Press OK.
- To implement the made settings:
- Press arrow up/down to select YES.
- Press OK.

Error messages

Ten different error messages can be shown on the display:

- NOTE! LOW VOLTAGE (1A) CHECK THE VOLTAGE SUPPLY AND THE CABLE TO THE HYDRAULIC UNIT
- LOW VOLTAGE PHASE X (1B) LOW POWER 32A
- MOTOR PROTECTION TRIPPED (2)
- MOTOR OVERHEATED (3) COOLING IN PROGRESS. DO NOT SWITCH OFF THE ELECTRIC MOTOR
- OIL TEMP. HIGH (4) CHECK THE WATER TO THE HYDRAULIC UNIT
- PRESSURE SENSOR OUT OF (5) ORDER
- HIGH HYDR PRESSURE (6) CHECK UNIT
- NO CONTACT CHECK THE CAN CABLE (7)
- NO RADIO CONTACT (8)

Error message (1A)



NOTE!

Low voltage Check the voltage supply and the cable to the hydraulic unit

Too low voltage, caused by:

- Long mains cable.
- Too small core size (cross-section) on the mains cable.

One or more phases down, caused by:

- A fuse has blown in the distribution box.
- Cable breakage.
- No voltage to one or more phases in the distribution box.

Action (1A)

Press OK to acknowledge the error message. The hydraulic unit will match the maximum power output to 32 A.

Error message (1B)

"Low voltage Phase x low output. 32 A", where x represents phase 1, 2 or 3.

Action (1B)

Press OK to acknowledge the message. It states on the display that the maximum power output is set to 32 A. If the voltage is still low, the electric motor is turned off and the low voltage error message is shown.

By pressing OK, the unit returns to the maximum power you selected at start up. To switch between 63 A and 32 A, the unit must be turned off and then on again.

Read the supply voltage on the operations menu "Phase 1, Phase 2, Phase 3". If the voltage, before the motor is started, is:

Below 340 V, check that none of the cores in the cable are broken and that there is voltage up to distribution box.

Above 340 V, check the cable's core dimensions and length.

Error message (2)

"Motor protection tripped".

Cause (2):

The electric motor has been overload or a phase is down. This is why the motor cut-out, which is there to protect the electric motor, has tripped.

Action (2):

Press OK to acknowledge the error message. Check that there is voltage to the hydraulic unit on all three phases.

Read the supply voltage on the operations menu "Phase 1, Phase 2, Phase 3".

If the voltage to one phase is down: Check the mains cable and the voltage to the distribution box. Motor protection is reset automatically within three minutes.

If the voltage to all phases is higher than 340 V: Wait for the motor cut-out to reset. Now restart the hydraulic unit.

If the motor cut-out trips frequently you should call the service personnel.

Error message (3)

"Motor overheated cooling in progress. Do not turn off the electric motor!"

**NOTE!**

Do not turn off the motor, as this can damaged it. When the motor has cooled it is turned off automatically.

Cause (3)

The motor temperature sensor is too high.

Action (3)

Press OK to acknowledge the error message.

If after all it is necessary to turn off the engine, the error message must still be acknowledged by first pressing OK.

The display shows: COOLING. The hydraulic valves for blade and trolley motion are turned off. The blade motion can also be restarted.

When the motor temperature sensor drops below the limit level the display shows: MOTOR COOLED PRESS OK.

If the motor frequently overheats you should call the service personnel.

Error message (4)

"Oil temp. high Check water to the hydraulic unit"

Cause (4)

Failure to cool the hydraulic oil.

Action (4)

When the error message is shown, the electric motor is turned off. Press OK to acknowledge the error message. Check that the water coolant is connected to the hydraulic unit and that the water runs to the blade when you turn the knob for blade rotation.

Error message (5)

"Pressure sensor not working"

Cause (5)

The pressure sensor for measuring the hydraulic pressure to the blade rotation is not working.

Action (5)

Press OK to acknowledge the error message. If the error message is shown repeatedly, replace the pressure sensor.

Error message (6)

"High hydr pressure check unit"

Cause (6)

The blade has jammed, which causes a high hydraulic pressure

Action (6)

Press OK to acknowledge the error message. If the error message is shown frequently, you should call the service personnel.

Error message (7)

"No contact Check the CAN cable"

Cause (7)

The CAN cable, or its connector is damaged, which results in the hydraulic unit not being possible to control via the remote control.

Action (7)

Press OK to acknowledge the error message. Check the cable and connector and replace if damaged. Contact the service personnel if the fault remains.

Error message (8) - applies to units equipped with a radio system

"No radio contact"

Cause (8)

The radio contact between the hydraulic unit and remote control is not working.

Action (8)

Several actions may be necessary to rectify the fault:

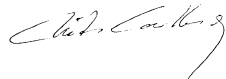
- Ensure (via the operations menu - settings - radio id) that the identity number is greater than 0.
- Make sure that the hydraulic unit has been started.
- Move closer to the hydraulic unit to prevent long distances or reinforced walls.

Restart the remote control. Contact the service personnel if the fault remains.

EU declaration of conformity

Husqvarna Construction Products Sweden AB, Box 2098, 550 02 Jönköping, Sweden, tel: +46 36-570 60 00, hereby declares that its hydraulic unit RC 455, from serial number 01001 onwards, is manufactured in compliance with the Council's machinery directive 98/37/EC, low-voltage directive 73/23/EEC and EMC directive 89/336/EEC, including subsequent amendments, and that the following standards have been used for guidance: EN 55 014-1, EN 55 014-2, EN 61 000-3-2, EN 50 144-1, EN 13 862.

Jönköping 2005-01-01



Christer Carlberg
Managing Director

Deutsch

Inhalt

Symbolerklärung	29
Sicherheitsvorschriften	30
Einleitung	32
Komponentenerklärung	33
Technische Daten	35
Ausrüstung montieren bzw. installieren	36
Arbeitsablauf beim Wandsägen	37
Klingenrotation starten.....	37
Nach Abschluss der Arbeiten.....	37
Arbeitsablauf beim Drahtseilsägen	38
Menüfunktionen	39
Startmenü	39
Betriebsmenü	39
Batterie laden	41
Einstellungen.....	42
Fehlermeldungen	46
Konformitätserklärung	49

Symbolerklärung

Diese Symbole sind auf der Maschine und in der Bedienungsanleitung angegeben. Um sicher mit der Maschine arbeiten zu können, muss der Bediener ihre Bedeutung verstehen.

Anleitung

Lesen Sie vor der Inbetriebnahme der Maschine die Bedienungsanleitung aufmerksam durch und machen Sie sich mit dem Inhalt vertraut.



Schutzausrüstung

Verwenden Sie stets:

- einen zugelassenen Schutzhelm,
- einen zugelassenen Gehörschutz,
- eine zugelassene Schutzbrille oder einen Gesichtsschutz sowie sonstige erforderliche Schutzausrüstung.



Warnung

Ein großes Warndreieck mit dem Zusatz „Warnung“ bedeutet, dass die Gefahr von schweren, sogar lebensgefährlichen Verletzungen besteht.



Achtung

Ein kleines Warndreieck mit dem Zusatz „Achtung“ bedeutet, dass die Gefahr von leichteren Verletzungen oder Maschinenschäden besteht.



Bemerkung

Eine Hand mit erhobenem Zeigefinger mit dem Zusatz „Anmerkung“ bedeutet, dass ein beschriebener Vorgang zusätzliche Aufmerksamkeit erfordert.



CE

Dieses Symbol weist darauf hin, dass die Maschine den geltenden EU-Richtlinien entspricht.



Stromwarnung

Dieses Symbol warnt vor Hochspannung.



Umweltkennzeichnung

Das Symbol auf dem Produkt oder der Verpackung gibt an, dass dieses Produkt nicht im Hausmüll entsorgt werden darf. Stattdessen ist es einer geeigneten Recyclinganlage zur Verwertung elektrischer und elektronischer Ausrüstung zuzuführen.

Durch eine korrekte Entsorgung dieses Produkts tragen Sie dazu bei, mögliche negative Auswirkungen auf Ihre Umwelt und Mitmenschen zu verhindern. Durch eine unsachgemäße Entsorgung dieses Produkts können Schäden entstehen.

Ausführliche Recyclinginformationen zu diesem Produkt erhalten Sie von Ihrer Kommune, Entsorgungsunternehmen für Hausmüll oder dem Geschäft, in dem Sie das Produkt erworben haben.



Sicherheitsvorschriften

Bei der Konstruktion und Herstellung von Husqvarna-Produkten wurde neben der Leistungsfähigkeit und Benutzerfreundlichkeit größtes Gewicht auf die Sicherheit gelegt. Folgende Punkte sind zu beachten, um einen sicheren Maschinenbetrieb zu gewährleisten:



WARNUNG!

Diese Maschine darf nur zusammen mit Husqvarna WS 355, 463, 462, 460 oder DIMAS CS2512 verwendet werden. Jegliche andere Verwendung ist unzulässig.



ACHTUNG

Die Maschine darf ausschließlich unter Befolgung der Sicherheitsvorschriften gestartet werden. Bei Missachtung der Vorschriften seitens des Bedieners haftet Husqvarna Construction Products Sweden AB oder ihre Vertreter weder direkt noch indirekt. Lesen Sie die Bedienungsanleitung aufmerksam durch und machen Sie sich mit dem Inhalt vertraut, bevor Sie die Maschine benutzen. Sollten Sie sich auch nach Lektüre der Sicherheitsvorschriften nicht über die vorliegenden Sicherheitsrisiken im Klaren sein, dürfen Sie die Maschine nicht benutzen. Ihr Fachhändler erteilt auf Anfrage gern weitere Informationen.

- Stellen Sie sicher, dass alle Verbindungen, Anschlüsse und Hydraulikschläuche unbeschädigt sind.
- Sämtliche Bediener müssen für die Benutzung der Maschine ausgebildet sein. Die Verantwortung für die erforderliche Ausbildung liegt beim Eigentümer.
- Vor der Inbetriebnahme sicherstellen, dass alle Schläuche und Stromkabel korrekt an der Maschine angeschlossen sind.
- Menschen und Tiere können den Bediener ablenken und damit zum Verlust der Kontrolle über die Maschinen führen. Konzentrieren Sie sich daher vollständig auf Ihre Arbeitsaufgabe.
- Lassen Sie die Maschine niemals unbeaufsichtigt mit laufendem Motor stehen.
- Bedenken Sie, dass Kleidung, Haare und Schmuck in beweglichen Teilen hängenbleiben können.

- Weitere Anwesende können verletzt werden. Stellen Sie daher vor Inbetriebnahme des Geräts stets sicher, dass sich weder Personen noch Tiere im Arbeitsbereich aufhalten. Sperren Sie den Arbeitsbereich bei Bedarf ab.
- Hydraulikschläuche dürfen erst abgenommen werden, nachdem das Aggregat abgeschaltet wurde und der Motor zum Stillstand gekommen ist.
- Wenn trotz allem ein Notfall eintreten sollte, betätigen Sie die rote Nothalttaste an der Seite der Fernsteuerung oder drücken Sie die grüne Start/Stopp-Taste an der Fernsteuerung.
- Verwenden Sie eine ausreichende persönliche Schutzausrüstung wie Helm, Sicherheitsschuhe, Augen- und Gehörschutz. Es ist stets ein Gehörschutz zu tragen, da der Geräuschpegel 85 dB(A) überschreitet.
- Bei Arbeiten in der Nähe elektrischer Leitungen:
Beim Einsatz von Hydraulikwerkzeugen in der Nähe elektrischer Leitungen sind Hydraulikschläuche zu verwenden, die als „nicht elektrisch leitend“ eingestuft und gekennzeichnet wurden. Die Verwendung anderer Schläuche kann zu schweren Personenschäden bis hin zum Tod führen.
Beim Schlauchwechsel sind Schläuche mit der Kennzeichnung „nicht elektrisch leitend“ zu benutzen. Die Schläuche sind regelmäßig auf ihre elektrische Isolierfähigkeit zu überprüfen. Dafür gelten gesonderte Anweisungen.
- Bei Arbeiten in der Nähe von Gasleitungen:
Überprüfen Sie den Arbeitsbereich stets auf das Vorhandensein von Gasleitungen und kennzeichnen Sie deren Verlauf. Die Arbeit in der Nähe von Gasleitungen stellt eine potenzielle Gefahrensituation dar. Vermeiden Sie eine Funkenbildung. Andernfalls besteht Explosionsgefahr. Konzentrieren Sie sich vollständig auf Ihre Arbeitsaufgabe. Unachtsamkeit kann zu schweren Personenschäden bis hin zur Todesfolge führen.
- Kennzeichnen Sie alle verborgenen Leitungen, wie etwa Wasser- und Gasleitungen.
- Stellen Sie sicher, dass Strom- und Canbus-Kabel unbeschädigt sowie während des Arbeitens vor Beschädigung geschützt sind.
- Überprüfen Sie täglich Werkzeuge, Schläuche und Anschlüsse auf Undichtigkeiten. Lecks oder Explosionen können zu einem Eindringen von Öl in den Körper oder anderen schweren Verletzungen führen.

- Überschreiten Sie nicht den angegebenen Betriebsdruck für das verwendete Werkzeug oder den verwendeten Hydraulikschlauch. Ein überhöhter Druck kann zu Undichtigkeiten oder Explosionen führen.
- Suchen Sie nicht mit der Hand nach Undichtigkeiten. Bei Kontakt mit einem Leck können durch den hohen Druck im Hydrauliksystem schwere Personenschäden entstehen.
- Das Werkzeug darf nicht an den Schläuchen getragen oder angehoben werden.
- Achten Sie stets auf die Unversehrtheit der verwendeten Schläuche.
- Benutzen Sie keine deformierten, verschlissenen oder beschädigten Schläuche.
- Vergewissern Sie sich, dass die Schläuche korrekt an das Werkzeug angeschlossen sind und die Hydraulikkupplungen ordnungsgemäß verriegelt wurden, bevor das Hydrauliksystem unter Druck gesetzt wird. Um die Kupplungen zu verriegeln, drehen Sie die Außenhülse der Buchsenkupplung, wodurch sich die Nut von der Kugel entfernt.

Die Druckschläuche des Systems sind stets an den Werkzeugeinlass anzuschließen. Die Rücklaufschläuche des Systems sind stets an den Werkzeugauslass anzuschließen. Durch eine Verwechslung der Anschlüsse kann das Werkzeug rückwärts arbeiten und damit Personenschäden verursachen.

- Halten Sie die Hydraulikkupplungen stets sauber und frei von Verschmutzungen.
- Stellen Sie den Nothaltsschalter an der Fernsteuerung stets aus, bevor die Ausrüstung bewegt wird.
- Überprüfen Sie die Hydraulikschläuche auf Unversehrtheit. Stellen Sie sicher, dass die Schläuche beim Sägen nicht beschädigt werden. Eine etwaige Undichtigkeit kann Rutschgefahr verursachen.
- Beim Arbeiten mit der Maschine muss stets eine weitere Person anwesend sein, die bei Unfällen Hilfestellung leisten kann.
- Benutzen Sie die Maschine nur, wenn sie einwandfrei funktioniert.
- Nehmen Sie keinerlei Änderungen an den Sicherheitsvorrichtungen vor. Kontrollieren Sie regelmäßig deren einwandfreie Funktionsweise. Die Maschine darf nicht mit defekten Schutzvorrichtungen bzw. ohne eingebaute Schutzvorrichtungen betrieben werden.
- Unfallvorbeugende Vorschriften, andere allgemeine Schutzrichtlinien und arbeitsmedizinische Vorgaben sind stets zu befolgen.

- Beim Arbeiten mit den Maschinen muss sich ein Erste-Hilfe-Set in der Nähe befinden.
- Achten Sie auf die ständige Funktionstüchtigkeit aller Komponenten. Überprüfen Sie, dass alle Befestigungen korrekt angezogen sind. Ersetzen Sie alle abgenutzten oder beschädigten Maschinenschilder.
- Stellen Sie die Maschinen in einem verschlossenen Raum ab, der für Kinder sowie für Erwachsene ohne eine besondere Ausbildung für die Verwendung der Maschinen unzugänglich ist.
- Beachten Sie die Brandgefahr bei Funkenbildung und Wärmeentwicklung. Wenn keine lokalen Brandschutzbestimmungen für Trenn- oder Schleifmaschinen vorliegen, gelten dieselben Bestimmungen wie beim Bogenschweißen.



WARNUNG!

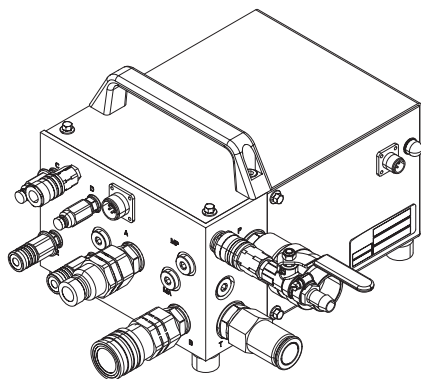
Bei Benutzung der Maschine stets zugelassene Schutzkleidung und zugelassene Schutzausrüstung tragen. Schutzkleidung und Schutzausrüstung kann die Unfallgefahr nicht eliminieren. Durch die Verwendung von entsprechender Bekleidung und Ausrüstung können Sie jedoch unter Umständen das Schadensausmaß bei eventuellen Unfällen verringern. Empfehlungen für zugelassene Schutzbekleidung und Schutzausrüstung erhalten Sie von Ihrem Händler.

Einleitung

Husqvarna RC 455 „Smartbox“ ist eine kompakte Steuereinheit, die als Verbindung zwischen Hydraulikaggregaten ohne Steuerventile dient, wie z.B. Dieselaggregate und Husqvarna WS 355, WS 462, WS 463 sowie CS 2512.

Da RC 455 über ein Vorrangventil verfügt, kann das Dieselaggregat, das einen Durchfluss erzeugt, zum Steuern von Maschinen eingesetzt werden, die über unterschiedliche Durchflüsse angetrieben werden, z.B. Klingenantrieb und Vorschub.

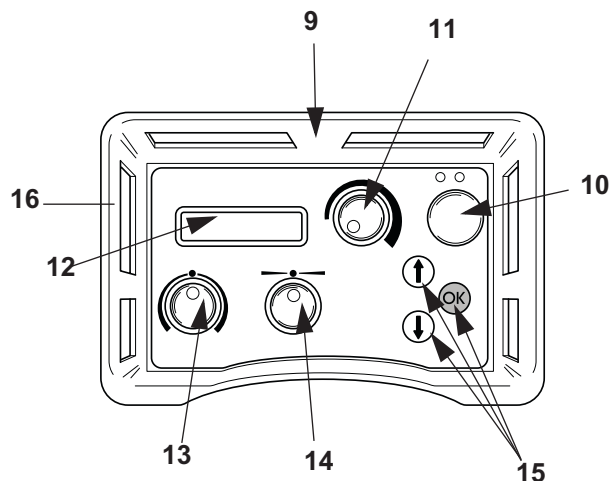
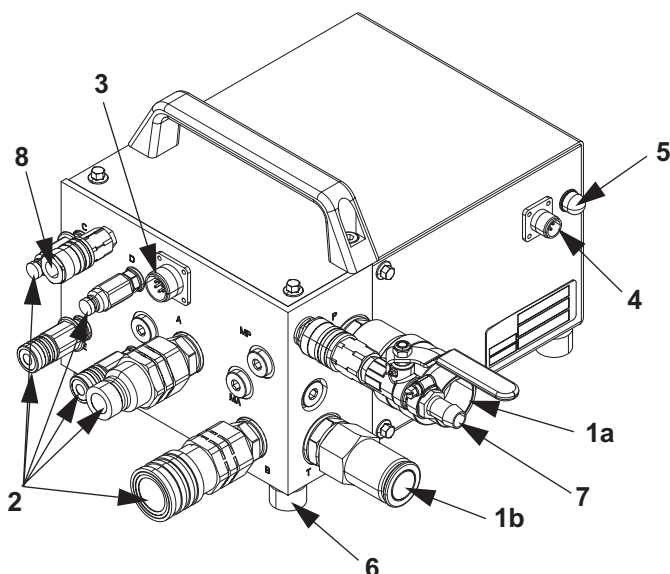
Durch einen Anschluss der o.g. Einheiten an RC 455 können diese so gesteuert werden, als ob sie mit einem Hydraulikaggregat PP 455 E verbunden wären.



Der Lieferumfang von RC 455 umfasst folgende Bestandteile:

- 1 x RC 455
- 1 Fernsteuerung
- 1 Schlauchpaket, 8 m
- 1 Canbus-Kabel, 8 m
- 1 Anschlusskabel (12 V GS)

Komponentenerklärung



1. Eingehende Hydraulikanschlüsse

Mit diesen 3/4-Zoll-Anschlüssen werden die Schläuche vom Hydraulikaggregat verbunden. Hierüber erfolgt der Zulauf zur Maschine. Der Durchfluss im Schlauch an der Buchsenkupplung (1a) treibt das Werkzeug an. Der Durchfluss im Schlauch mit der Steckkupplung (1b) ist der Rückstrom vom Hydraulikaggregat.

2. Ausgehende Hydraulikanschlüsse

Mit diesen Anschlüssen werden die beiliegende Hydraulikschläuche verbunden. Diese wiederum werden mit dem jeweiligen Hydraulikwerkzeug verbunden.

Die großen Anschlüsse steuern den Antrieb der angeschlossenen Werkzeuge. Die kleinen Anschlüsse regeln die Vorschübe. Der Durchfluss in den Schläuchen mit Buchsenkupplung regelt den Längsvorschub. Der Durchfluss in den Schläuchen mit Steckkupplung regelt den Tiefenvorschub.

3. Anschluss für Canbus-Kabel

Hier wird das Canbus-Kabel angeschlossen, das Steuersignale zwischen RC 455 und der Fernsteuerung überträgt. Das Canbus-Kabel ist mit einer Sperre versehen, die ein versehentliches Lösen verhindert.

4. Anschluss für 12 V GS

Hier wird der Netzstrom für RC 455 angeschlossen. Die Stromversorgung erfolgt vorzugsweise über das Hydraulikaggregat, das mit RC 455 eingesetzt wird. Der Anschluss ist mit einer Sperre versehen, die ein versehentliches Lösen des Kabels verhindert.

Das 12-V-Kabel wird werkseitig mit einem Anschlussverteiler versehen. Dieser wird vom Benutzer mit dem vorhandenen Hydraulikaggregat verbunden. Weitere Informationen entnehmen Sie dem Abschnitt „Ausrüstung montieren bzw. installieren“.

5. Sicherungsautomat

Löst aus, wenn der 12-VDC-Eingangsstrom zu hoch wird. Wird durch einmaliges Eindrücken rückgestellt.

6. Füße

Diese schützen die Maschinen vor Vibrationen und Schmutz.

7. Eingehende Wasseranschluss

8. Ausgehende Wasseranschluss

9. Fernsteuerung

Mit der Fernsteuerung wird RC 455 bedient. Um die Fernsteuerung nutzen zu können, muss die Zündung des Hydraulikaggregats eingeschaltet sein.

10. Fluss aus/ein

Ausschließlich über diesen Regler kann der Hydraulikfluss des Aggregats gestartet werden.

Durch einmaliges Drücken erhöht sich die Betriebsdrehzahl des Hydraulikaggregats und ein Fluss wird erzeugt. Durch nochmaliges Drücken der Starttaste bzw. der Nothalttaste am Aggregat oder auf der linken Seite der Fernsteuerung wird der Fluss unterbrochen.

11. Klingenrotation

Regler für den Start von Klingenrotation bzw. Drahtseilvorschub. Um die volle Leistung bei der Klinge zu erzielen, muss der Regler bis zur rechten Endstellung gedreht werden.

12. Display

Das Display informiert über erforderliche Einstellungen, Wartungsbedarf und mögliche Störungen.

Während der Arbeit zeigt das Display den aktuellen Hauptdruck für die Klingenrotation an (nicht den Vorschubdruck).

13. Tiefenvorschub

Regler für den Tiefenvorschub der Klinge. Hiermit wird der Vor- und Rückschub der Klinge bzw. beim Drahtseilsägen die Seilspannung gesteuert.

14. Längsvorschub

Regler für den Längsvorschub der Sägeeinheit. Hiermit werden Richtung und Geschwindigkeit gesteuert. Bei erhöhtem Längsvorschub steigt auch der Klingenrotationsdruck. Dies kann auf dem Display abgelesen werden.

15. Wahltasten

Die Pfeiltasten erfüllen folgende Funktionen:

- Blättern in den Menüs.
- Vergrößern/Verkleinern der Zahlenwerte.

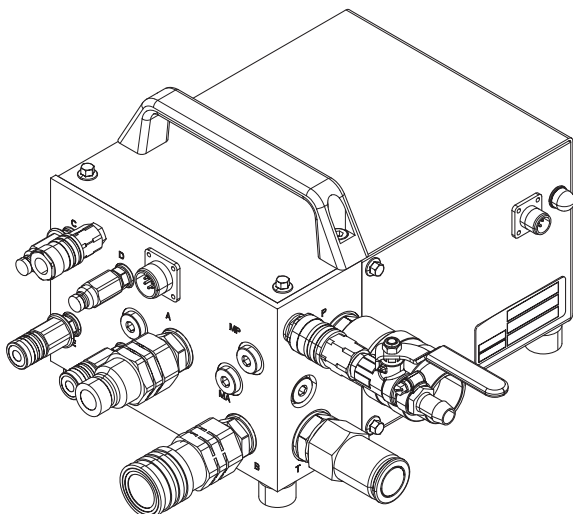
Die Bestätigungstaste „OK“ erfüllt folgende Funktionen:

- Öffnen der Untermenüs.
- Bestätigen der mit den Pfeiltasten eingestellten Werte.
- Ein-/Ausschalten der Sensoren.

16. Nothalt

An der Seite der Fernsteuerung befindet sich ein Nothaltschalter. Durch Drücken des Nothaltschalters wird das angeschlossene Werkzeug abgeschaltet und das Hydraulikaggregat beginnt, im Leerlauf zu arbeiten.

Technische Daten



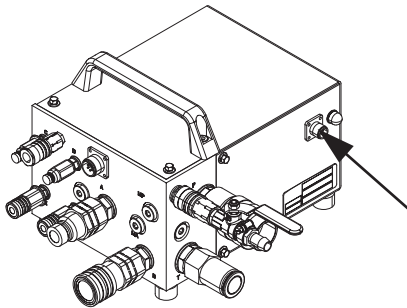
Max: Durchfluss	115 l/min
Max. Druck	230 Bar
Empf. Hydraulikölfluss vom Hydraulikaggregat:	
WS 463	80 l/min
WS 462	70 l/min
CS2512	80 l/min
Gewicht	19,6 kg
Stromanschluss	12 V GS
Schlauchpaket	8 m

Ausrüstung montieren bzw. installieren

Bei der Lieferung von RC 455 ist das Stromkabel nur mit einem Anschluss für 12 V GS bestückt. Um die Maschine betreiben zu können, muss das Kabelende ohne Anschluss mit dem Ausgangstromkabel vom Hydraulikaggregat verbunden werden.

Nachdem die Maschine an eine geeignete Position transportiert und das zu verwendende Hydraulikwerkzeug korrekt installiert wurde, ist die Maschine anzuschließen:

1. Drehen Sie die Zündung am Dieselaggregat, ohne den Dieselmotor zu starten.
2. Verbinden Sie das Eingangsstromkabel vom Dieselaggregat mit RC 455.

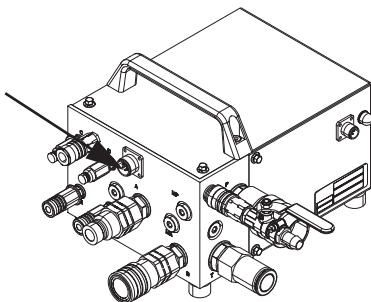


WARNUNG!

RC 455 darf nur mit 12-V-GS-Spannung versorgt werden. Wird die Maschine mit einer höheren Spannung versorgt, können Ausrüstungs- und Personenschäden entstehen.

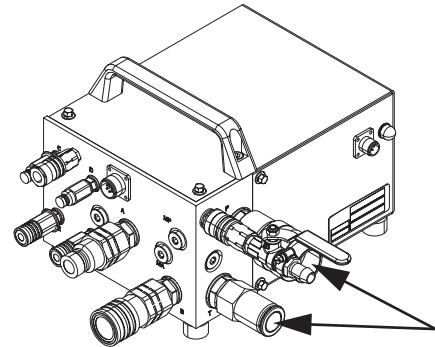
3. Schließen Sie die Fernsteuerung mithilfe des beiliegenden Canbus-Kabels an. Schrauben Sie den Kabelanschluss per Hand an.

Verfügt die Maschine über einen Funkanschluss, kann statt des Canbus-Kabels eine Funkantenne angeschlossen werden. Schrauben Sie diese dort an, wo sich das Canbus-Kabel befunden hätte.



4. Sicherstellen, dass der Nothalt an der Fernsteuerung nicht aktiviert ist. Auf dem Display der Fernsteuerung erscheint eine Meldung zum Anschließen des Schlauchpakets an die Smartbox.

5. Verbinden Sie die eingehenden Hydraulikschläuche vom Dieselaggregat mit RC 455.



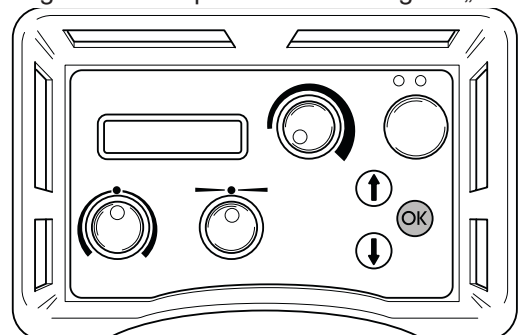
6. Wenn Modell CS2512 verwendet werden soll, verbinden Sie die Buchsenkupplungen des Druckreduzierblocks mit den Steckkupplungen an RC 455.
7. Schließen Sie die Hydraulikschläuche von RC 455 an. Es existieren zwei Hydraulikschlauchtypen für die Verbindung zwischen RC 455 und dem gewählten Werkzeug (WS 462, 463 oder CS 2512):

An Wandsägen der Serie WS 400 steuern die vier dünneren Schläuche die Vorschubmotoren der Säge, dazu zählen Vor- und Rückschub sowie Längsvorschub der Säge. Die beiden dickeren Schläuche treiben die Trennscheibe an.

Bei Anschluss der Seilsäge CS 2512 an das Aggregat steuern zwei der dünneren Schläuche die Spannung des Magazinarms, während die beiden dickeren Schläuche das Seil bewegen.

Die Schläuche im Schlauchpaket, die mit einer roten Kennzeichnung am Anschluss versehen sind, müssen mit den Anschlüssen verbunden werden, die über ebensolche Kennzeichnungen verfügen.

8. Nachdem Sie alle Schläuche angeschlossen haben, bestätigen Sie dies per Fernsteuerung mit „OK“



9. Starten Sie den Motor des Dieselaggregats und betreiben Sie ihn im Leerlauf.
10. Auf dem Display sollte nun eine Aufforderung zum Starten des Startbox-Motors erscheinen. Zeigt das Display dies nicht an, sind die Instruktionen auf dem Display zu befolgen.
11. Kontrollieren Sie, ob sämtliche Ausrüstung betriebsbereit ist.

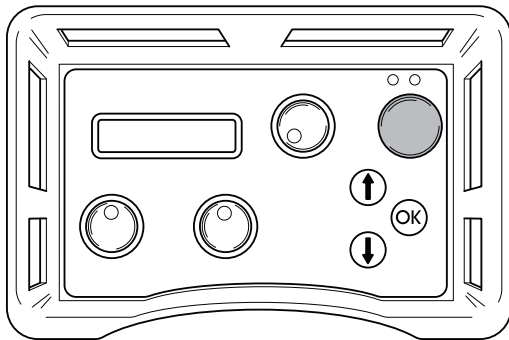
Arbeitsablauf beim Wandsägen

Klingenrotation starten

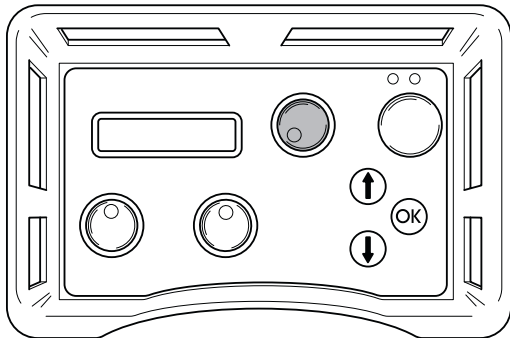
1. Den Motor des Hydraulikaggregats durch einmaliges Drücken der grünen Taste der Fernsteuerung starten.

Beim Starten des Motors wechselt das Dieselaggregat vom Leerlauf zur Betriebsdrehzahl und erzeugt einen Fluss.

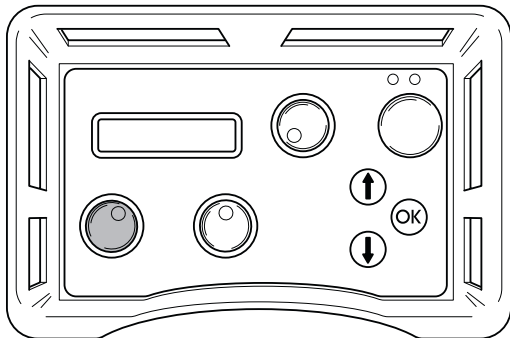
Den Motor durch nochmaliges Drücken der grünen Taste an der Fernsteuerung ausschalten.



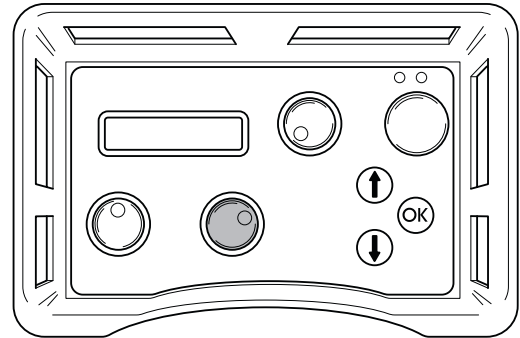
1. Den Regler für die Klingenrotation in die maximale Position drehen, um die Klingenrotation zu starten.



2. Durch Drehen des Tiefenvorschubbrads an der Fernsteuerung den Tiefenvorschub starten.

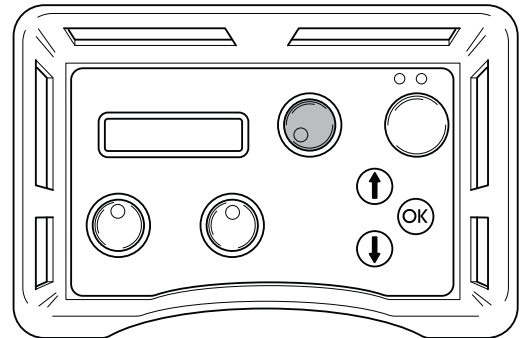


3. Durch Drehen des Längsvorschubbrads in der gewünschten Richtung den Längsvorschub starten.

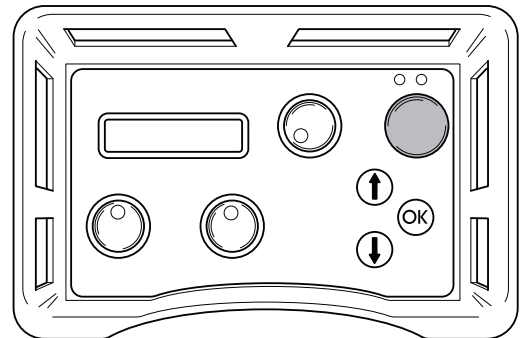


Nach Abschluss der Arbeiten

1. Nach Beendigung der Arbeiten ist die Klingenrotation durch Drehen des Rads an der Fernsteuerung zurück auf „0“ abzuschalten.



2. Schalten Sie den Motor in den Leerlauf, indem Sie die grüne Taste an der Fernsteuerung drücken.



ACHTUNG!

Reinigen Sie die gesamte Ausrüstung am Ende eines Arbeitstags.

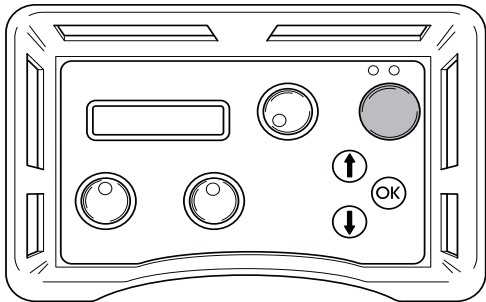
Arbeitsablauf beim Drahtseilsägen

Nach der Montage aller Ausrüstungskomponenten können Schneidarbeiten ausgeführt werden. Um die Säge so effektiv wie möglich einzusetzen, ist sie wie folgt zu starten:

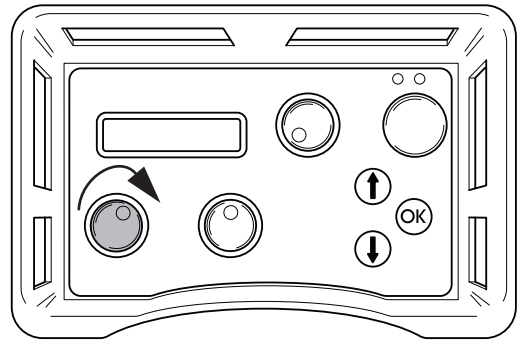
1. Montieren Sie den Druckreduzierblock im Lieferumfang der Seilsäge am Hydraulikaggregat gemäß den Anweisungen auf dem Block.
2. Verbinden Sie zwei der dünneren Hydraulikschläuche mit dem Druckreduzierblock. Der Schlauch im Schlauchpaket, der mit einer roten Kennzeichnung am Anschluss versehen ist, muss mit dem Schlauch am Druckreduzierblock verbunden werden, der ebenfalls über eine Kennzeichnung verfügt.
3. Schließen Sie das Ventil am Druckreduzierblock an, indem Sie den Knauf bis zum Anschlag gegen den Uhrzeigersinn und danach zwei Umdrehungen zurückdrehen.
4. Die Betriebsdrehzahl des Motors durch einmaliges Drücken der grünen Taste an der Fernsteuerung aktivieren.

Der Motor des Dieselaggregats wechselt nun vom Leerlauf zur Betriebsdrehzahl und erzeugt einen Fluss.

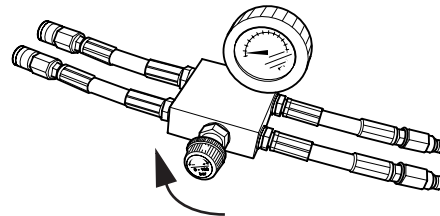
Um den Fluss zu unterbrechen und den Motor des Hydraulikaggregats in den Leerlauf zu versetzen, die grüne Taste an der Fernsteuerung nochmals drücken.



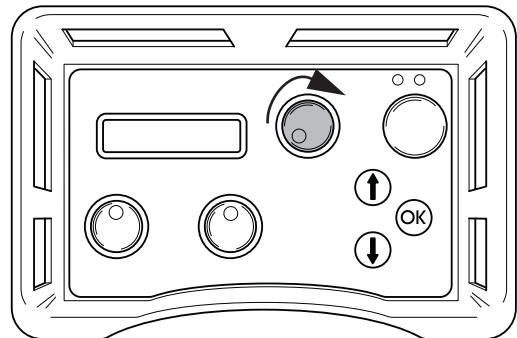
5. Stellen Sie den Versorgungsdurchfluss am Aggregat auf maximal, indem Sie den Regler an der Fernsteuerung im Uhrzeigersinn drehen.



6. Spannen Sie das Seil, indem Sie den Knauf am Druckreduzierblock vorsichtig im Uhrzeigersinn drehen, bis das Seil eine mittlere Spannung aufweist. Kontrollieren Sie stets sorgfältig, dass das Seil korrekt in allen Führungen in der Säge liegt.

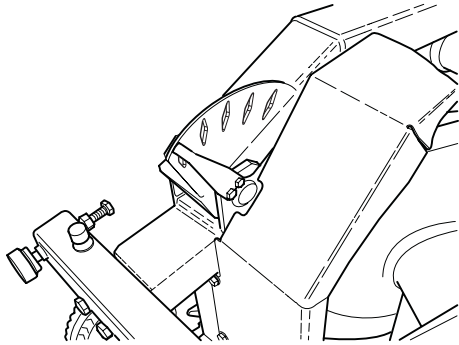


7. Starten Sie die Motordrehung, indem Sie den entsprechenden Regler an der Fernsteuerung im Uhrzeigersinn drehen.



8. Steigern Sie vorsichtig die Motordrehzahl, indem Sie den entsprechenden Regler drehen. Der geeignete Betriebsdruck beim Schneiden liegt üblicherweise zwischen 100 und 130 Bar. Er variiert jedoch je nach Anzahl der Radpaare im Magazin, der vorliegenden Seilmenge, der Härte des bearbeiteten Materials usw.
9. Beim Schneiden von Material kann der Betriebsdruck sinken. Dies wird auf dem Display angezeigt. Dementsprechend muss das Seil im Magazin gespannt werden. Drehen Sie dazu den Knauf am Druckreduzierblock im Uhrzeigersinn.

10. Die Ausgangsspannung vom Magazin wird an der Maschine angezeigt (auf der Abbildung in minimaler Stellung). Steht der Magazinzyylinder unter maximaler Spannung, muss die Maschine angehalten und das Seil um ein neues Radpaar gelegt werden. Fahren Sie anschließend wie oben beschrieben fort.



ACHTUNG!

Reinigen Sie die gesamte Ausrüstung am Ende eines Arbeitstags.

Menüfunktionen

Die im Display angezeigten Menüs sind in Untermenüs („Einstellungen“) und Teilmenüs gruppiert. Die Menüs sind in zwei Sektionen aufgeteilt:

- Startmenü: Hier wird gewählt, unter welchen Bedingungen das Hydraulikaggregat arbeiten soll.
- Betriebsmenü: Informiert über den Betriebsstatus.

Startmenü

Das Startmenü wird jedes Mal angezeigt, wenn die Spannung zum Hydraulikaggregat eingeschaltet wird. Das Display zeigt an:

SMARTBOX Schläuche anschließen

- OK drücken, wenn alle Schläuche angeschlossen sind. Danach wird Stufe 2 angezeigt.

Betriebsmenü

Das Betriebsmenü erscheint, nachdem die Schläuche angeschlossen wurden und der Bediener dies mit „OK“ bestätigt hat. Über dieses Menü werden alle Informationen über den Betrieb sowie alle Einstellmöglichkeiten zugänglich.

Das Betriebsmenü besteht aus folgenden Menüs:

1. 1a. Husqvarna PP-455, 1b. Status
2. Einstellungen
3. Zeitmessung
4. Masch.zeit ges.
5. Batteriestatus (nur Maschinen mit Funkeinheit)
6. Funkkanal (nur Maschinen mit Funkeinheit)

1a. Husqvarna SMARTBOX, Motor starten

Den Motor durch Drücken der grünen Taste an der Fernsteuerung starten.

1b. Status

Status ist die Hauptinformation, die stets auf dem Display angezeigt wird, wenn das Hydraulikaggregat mit der angeschlossenen Maschine in Betrieb ist:

- STATUS OK bedeutet, dass das Aggregat in Betrieb ist und keine Warnmeldungen vorliegen.
- yyy BAR, wobei yyy dem aktuellen Betriebsdruck entspricht.
- Ist die Zeitmessung eingeschaltet, wird auch dies angezeigt:

mm:ss, d.h. die Zeit in Minuten und Sekunden.

**ACHTUNG!**

Lange Stromkabel mit einem kleinen Querschnitt der Leiter können zu einem Spannungsabfall führen. Ein Druckabfall kann sich auch auf lange Hydraulikschläuche auswirken.

4. Einstellungen

In diesem Untermenü können einige Werte geändert werden, die die Eigenschaften des Hydraulikaggregats betreffen.

Zugang zum Untermenü: Mit Hilfe der Pfeiltasten und der OK-Taste den vierziffrigen PIN-Code 0012 angeben.

Die Einstellungen mit „Speichern“ im Teilmenü 3 „EINSTELL. BEENDEN“ speichern.

Ausführliche Informationen über die Einstellungsmöglichkeiten enthält der Abschnitt „EINSTELLUNGEN“.

5. Zeitmessung ein

Die Funktion wird verwendet, um die Zeit für eine bestimmte Arbeit zu messen. Die Zeitmessung beginnt mit dem Starten der Säge. Wählen:

- EIN zum Einschalten.
- AUS zum Ausschalten.
- ZEITMESSUNG NULLSTELLEN zum Zurückstellen.

Mit OK beenden. Die Hauptinformation „Status“ wird auf dem Display angezeigt.

Wurde Zeitmessung EIN gewählt (wenn das Hydraulikaggregat in Betrieb ist, siehe 1b), wird zudem 00:00 in der rechten unteren Ecke des Displays angezeigt. Abwärtspfeil drücken, um im Betriebsmenü fortzufahren.

Hier wird die Gesamtzeit angezeigt, in der das Hydraulikaggregat in Betrieb war. Die Zeit wird in Stunden und Minuten angegeben (hhhh:mm).

7. Batteriestatus (nur Maschinen mit Funkeinheit)

Diese Funktion kontrolliert die Batterie der Fernsteuerung. Auf dem Display werden, je nach den aktuellen Vorgängen in der Batterie, unterschiedliche Meldungen angezeigt.

- 0% BATTERIE 100%

Ist die Fernsteuerung angeschlossen und wird die Batterie geladen, erscheint ein liegender Balken unter der Skala 0-100%. Die Länge des Balkens im Verhältnis zur Skala zeigt, wie weit die Batterie noch geladen ist.

- LADE BATTERIE

Wird angezeigt, wenn die Fernsteuerung angeschlossen ist und die Batterie geladen wird. Die Ladezeit von 0 bis 100% beträgt ca. 9 Stunden.

- BATTERIE VOLL

Wird angezeigt, wenn die Batterie zu 100% geladen ist.

- BATTERIE GETR.

Wird angezeigt, wenn die Batterie von der Fernsteuerung getrennt ist. Die Meldung erscheint auch, wenn die Ladeeinheit in der Fernsteuerung defekt ist.

Batterie laden



ACHTUNG!

Dieses Kapitel gilt nur für Maschinen mit Funkeinheit.

Die Fernsteuerung ist mit einer 7,2-V-Batterie versehen. Der Nothalt an der Fernsteuerung muss beim Laden stets in ausgezogener Position sein.

Die Batterie kann wie folgt geladen werden:

mit dem Canbus-Kabel (Art.nr. 531 11 50-12)

mit dem Ladekabel des 12-V-Anschlusses im Fahrzeug (Art.nr. 531 14 20-92)

mit dem Ladekabel des Batterieladegeräts (Art.nr. 531 11 72-54)

Mit dem Canbus-Kabel

Das Canbus-Kabel zwischen Fernsteuerung und Aggregat anschließen. Sicherstellen, dass kein Nothalt eingedrückt ist und dass das Aggregat Strom hat.

Das Display zeigt „LADE BATTERIE“ an.

Das Aggregat kann während des Ladens benutzt werden.

Der Ladevorgang dauert ca. 10 Std.

Mit dem Ladekabel

Das Ladekabel zwischen der Fernsteuerung und dem 12-V-Anschluss im Fahrzeug anschließen. Sicherstellen, dass der Nothalt an der Fernsteuerung nicht gedrückt ist. Beim Laden zeigt das Display LADE BATTERIE an.

Der Ladevorgang dauert ca. 6 Std.

ACHTUNG! NUR 12 V.

Mit dem Batterieladegerät

Das Ladekabel zwischen Fernsteuerung und Batterieladegerät anschließen. Dann das Batterieladegerät an einen Netzanschluss anschließen. Sicherstellen, dass der Nothalt an der Fernsteuerung nicht gedrückt ist. Beim Laden zeigt das Display LADE BATTERIE an.

Der Ladevorgang dauert ca. 6 Std.

8. Funkkanal

Soll die Fernsteuerung nur mit Batteriebetrieb verwendet werden, muss zuerst eine Funkantenne an die Smartbox angeschlossen werden:

Evtl. Kabelanschluss entfernen.

Die Anschlussklemme der Antenne am Kontakt der Smartbox festdrücken. Darauf achten, dass die Nut in der Anschlussklemme der Antenne korrekt in den Kontakt passt.

Den Ring der Anschlussklemme am Kontakt festschrauben.

Wenn die Antenne angeschlossen ist, muss ein Funkkanal gewählt werden. Wählen:

0, 1 oder 2

Die Wahl mit OK bestätigen und dann den Abwärtspfeil drücken. Die Hauptinformation „Status“ wird auf dem Display angezeigt. Abwärtspfeil erneut drücken, um im Betriebsmenü fortzufahren.

Einstellungen

Über dieses Untermenü sind alle Einstellungsmöglichkeiten für Hydraulikaggregat und Fernsteuerung zugänglich.

Um auf das Menü „EINSTELLUNGEN“ zuzugreifen, ist ein vierziffriger Code erforderlich. Dieser Code ist 0012.

Der Ziffern nacheinander von links nach rechts eingeben. Mit den Pfeiltasten von 0-9 blättern und mit der OK-Taste bestätigen.

Das Menü „EINSTELLUNGEN“ besteht aus 7 Untermenüs, die wiederum aus einer Reihe Teilmenüs bestehen:

1. Select language (Sprachauswahl)
2. Hydraulikventil Klinge einst.
3. Hydraulikventil Vorschub einst.
4. Sensor Ein/Aus kalibrieren
5. Einstellungen Hydraulikaggr.
6. Grundeinstellung
7. Einstell. beenden

Die Ziffern weisen auf die folgenden Rubriken hin.

1. Select language (Sprachauswahl)

Über dieses Untermenü kann die im Display zu verwendende Sprache eingestellt werden.

Die Rubrik im Untermenü erscheint stets auf Englisch. Die gewählte Sprache wird unter der Rubrik angegeben.

Für die Sprachwahl:

- Mit den Pfeiltasten bis zur gewünschten Sprache blättern.
- OK drücken.
- Abwärtspfeil drücken, um zum nächsten Untermenü zu gelangen.

2. Hydraulikventil Klinge einst.

Dieses Untermenü enthält die Einstellungsmöglichkeiten für die Klängenrotation und besteht aus drei Teilmenüs:

Startpkt. Klinge ändern

Endpunkt Klinge ändern

Rampenzeit für Klinge ändern

2.1. Startpkt. Klinge ändern

Der Startpunktwert muss so eingestellt werden, dass die Klängenrotation so gering wie möglich ist, wenn das Rad für die Klängenrotation aus seiner linken Stellung gedreht wird.

Ein zu niedriger Wert führt dazu, dass das Rad weitergedreht werden muss, bevor die Klinge zu

rotieren beginnt.

Ein zu hoher Wert führt dazu, dass die Klinge zu schnell zu rotieren beginnt, wenn das Rad gedreht wird.

2.2 Endpunkt Klinge ändern

Der Endpunktwert muss so eingestellt werden, dass die Klängenrotation so hoch wie möglich ist, wenn das Rad für die Klängenrotation nach rechts gedreht wurde.

Ein zu niedriger Wert führt dazu, dass die volle Leistung des Hydraulikaggregats nicht erreicht wird.

Endpunktwert angeben:

- OK drücken, wenn das Teilmenü angezeigt wird.

Das Display zeigt an: ENDPUNKT ÄNDERN sowie eine Prozentzahl.

Mit den Pfeiltasten blättern, um den gewünschten Endpunkt anzugeben. Für schnelleres Blättern die Pfeiltasten gedrückt halten. Die Skala reicht von 1 bis 100%.

- OK drücken.
- Abwärtspfeil drücken, um zum nächsten Teilmenü zu gelangen.

2.3 Rampenzeit Klinge ändern

Der Wert der Rampenzeit gibt an, wie schnell sich die Rotationsgeschwindigkeit der Klinge ändern soll, wenn das Rad für die Klängenrotation gedreht wird.

Ein zu niedriger Wert führt dazu, dass das Hydrauliksystem des Klängenmotors in Eigenschwingung versetzt wird.

Wert der Rampenzeit angeben:

- OK drücken, wenn das Teilmenü angezeigt wird.

Das Display zeigt an: RAMPENZEIT ÄNDERN sowie die Zeit in Sekunden.

- Mit den Pfeiltasten blättern, um die gewünschte Rampenzeit anzugeben. Für schnelleres Blättern die Pfeiltaste gedrückt halten. Die Skala reicht von 0,0 bis 9,9 Sekunden.
- OK drücken.
- Abwärtspfeil drücken, um weiter zu „Zurück zum Menü“ zu gelangen.

Dieses Untermenü enthält die Einstellungsmöglichkeiten für den Klängenvorschub in Längsrichtung und in die Tiefe.

Das Untermenü besteht aus 5 Teilmenüs:

3.1 Startpkt. ändern Längsvorschub

3.2 Endpunkt ändern Längsvorschub

3.3 Startpkt. ändern Vorschub

3.4 Endpunkt ändern Vorschub

3.5 Rampenzeit Vorschub ändern

3.1 Startpkt. ändern Längsvorschub

Der Startpunktwert muss so eingestellt werden, dass der Längsvorschub so gering wie möglich ist, wenn sich das Rad für den Längsvorschub in Nullstellung befindet, d.h. in der Mitte zwischen der linken und rechten Endstellung.

Ein zu niedriger Wert führt dazu, dass das Rad weiter aus der Nullstellung gedreht wird, bevor der Längsvorschub beginnt.

Ein zu hoher Wert führt dazu, dass der Längsvorschub zu groß ist, wenn das Rad aus der Nullstellung gedreht wird.



HINWEIS!

Verschleiß in Proportionalventil und Hydraulikmotor kann dazu führen, dass der Startpunktwert geändert werden muss.

Startpunktwert angeben:

- OK drücken, wenn das Teilmenü angezeigt wird.

Das Display zeigt an: STARTPKT. ÄNDERN sowie eine Prozentzahl.

- Mit den Pfeiltasten blättern, um den gewünschten Startpunkt anzugeben. Für schnelleres Blättern die Pfeiltasten gedrückt halten. Die Skala reicht von 1 bis 100%.
- OK drücken.
- Abwärtspfeil drücken, um zum nächsten Teilmenü zu gelangen.

3.2 Endpunkt ändern Längsvorschub

Der Endpunktwert muss so eingestellt werden, dass die Längsvorschubgeschwindigkeit so groß wie möglich ist, wenn das Rad für den Längsvorschub nach rechts gedreht wurde.

Ein zu niedriger Endpunktwert führt dazu, dass nicht die volle Längsvorschubgeschwindigkeit erreicht wird.

Endpunktwert angeben:

- OK drücken, wenn das Teilmenü angezeigt wird.
- Das Display zeigt an: ENDPUNKT ÄNDERN sowie eine Prozentzahl.
- Mit den Pfeiltasten blättern, um den gewünschten Endpunkt anzugeben. Für schnelleres Blättern die Pfeiltaste gedrückt halten. Die Skala reicht von 1 bis 100%.
 - OK drücken.
 - Abwärtspfeil drücken, um zum nächsten Teilmenü zu gelangen.

3.3 Startpkt. ändern Vorschub

Der Startpunktwert muss so eingestellt werden, dass die Tiefenvorschubgeschwindigkeit so gering wie möglich ist, wenn sich das Rad für den Tiefenvorschub in Nullstellung befindet, d.h. in der Mitte zwischen der linken und rechten Endstellung.

Ein zu niedriger Wert führt dazu, dass das Rad weiter aus der Nullstellung gedreht wird, bevor der Tiefenvorschub beginnt.

Ein zu hoher Wert führt dazu, dass der Tiefenvorschub zu groß ist, wenn das Rad aus der Nullstellung gedreht wird.

Startpunktwert angeben:

- OK drücken, wenn das Teilmenü angezeigt wird.
- OK drücken.

Das Display zeigt an: STARTPKT. ÄNDERN sowie eine Prozentzahl.

- Mit den Pfeiltasten blättern, um den gewünschten Startpunkt anzugeben. Für schnelleres Blättern die Pfeiltasten gedrückt halten. Die Skala reicht von 1 bis 100%.
- OK drücken.
- Abwärtspfeil drücken, um zum nächsten Teilmenü zu gelangen.

3.4 Endpunkt ändern Vorschub

Der Endpunktwert muss so eingestellt werden, dass die Tiefenvorschubgeschwindigkeit so groß wie möglich ist, wenn das Rad für den Tiefenvorschub nach rechts gedreht wurde.

Ein zu niedriger Wert führt dazu, dass nicht die volle Tiefenvorschubgeschwindigkeit erreicht wird.

Endpunktwert angeben:

- OK drücken, wenn das Teilmenü angezeigt wird.
- Das Display zeigt an: ENDPUNKT ÄNDERN sowie eine Prozentzahl.
- Mit den Pfeiltasten blättern, um den gewünschten Endpunkt anzugeben. Für schnelleres Blättern die Pfeiltasten gedrückt halten. Die Skala reicht von 1 bis 100%.
 - OK drücken.
 - Abwärtspfeil drücken, um zum nächsten Teilmenü zu gelangen.

3.5 Rampenzeit Vorschub ändern

Der Wert der Rampenzeit gibt an, wie schnell sich die Vorschubgeschwindigkeit ändern soll, wenn das Rad für den Vorschub oder das Rad für den Längsvorschub gedreht wird.

Der angegebene Wert der Rampenzeit gilt sowohl für den Tiefen- als auch für den Längsvorschub.

Wert der Rampenzeit angeben:

- OK drücken, wenn das Teilmenü angezeigt wird.
- Das Display zeigt an: RAMPENZEIT ÄNDERN sowie die Zeit in Sekunden.
- Mit den Pfeiltasten blättern, um die gewünschte Rampenzeit anzugeben. Für schnelleres Blättern die Pfeiltasten gedrückt halten. Die Skala reicht von 0,0 bis 9,9 Sekunden.
- OK drücken.
- Abwärtspfeil drücken, um weiter zu „Zurück zum Menü“ zu gelangen.

4 Sensor Ein/Aus kalibrieren

Dieses Untermenü enthält Einstellungsmöglichkeiten für die verschiedenen Drucksensoren des Hydraulikaggregats.

Das Untermenü besteht aus folgenden Teilmenüs:

- 4.1 Temp.sensor für Hydrauliköl
- 4.2 Drucksensor für den Filter
- 4.3 Spannungssensor
- 4.4 Drucksensor für Hydr.druck
- 4.5 Drucksens. Hydraulik kalibr.
- 4.6 Spannungssensor kalibrieren
- 4.7 Potentiometer kalibrieren

4.1 Temp.sensor für Hydrauliköl

An der Elektronikkarte befindet sich ein Temperatursensor. Er stellt sicher, dass sich die Elektronik nicht überhitzt.

Bei eingeschaltetem Temperatursensor liest das Steuerungssystem die Temperatur kontinuierlich ab.



HINWEIS!

Das Hydraulikaggregat kann beschädigt werden, wenn der Temperatursensor abgeschaltet wird.

Temperatursensor ein-/ausschalten:

- OK drücken, wenn das Teilmenü angezeigt wird.
Das Display zeigt an: TEMP.SENSOR FÜR HYDRAULIKÖL sowie EIN oder AUS.
- OK drücken, um zwischen EIN und AUS zu wechseln.
- Abwärtspfeil drücken, um zum nächsten Teilmenü zu gelangen.

4.4 Drucksensor für Hydr.druck

Der Drucksensor misst den Hydraulikdruck zur Klinge.



ACHTUNG!

Das Steuerungssystem des Hydraulikaggregats wird abgeschaltet, wenn der Drucksensor ausgeschaltet wird. Das Hydrauliksystem kann dann bei hoher Belastung schwer zu steuern und zu kontrollieren sein.

Drucksensor ein-/ausschalten:

- OK drücken, wenn das Teilmenü angezeigt wird.

Das Display zeigt an: DRUCKSENSOR FÜR HYDR.DRUCK sowie EIN oder AUS.

- OK drücken, um zwischen EIN und AUS zu wechseln.
- Abwärtspfeil drücken, um zum nächsten Teilmenü zu gelangen.

4.5 Drucksens. Hydraulik kalibr.

Der Drucksensor, der den Öldruck für die Klappenrotation misst, lässt sich kalibrieren.

Der Drucksensor muss gemäß der Ordnung Nullpunkt und Maximalpunkt kalibriert werden.

Kalibrierung des Nullpunkts:

1. Das Eingangsstromkabel an 63 A anschließen.
2. Ein Öldruckreduzierventil mit einem Drucksensor an die Hydraulikkupplungen der Klappenrotation anschließen.
3. Das Untermenü „Sensor Ein/Aus kalibrieren“ im Menü „Einstellungen“ wählen.
4. Mit den Pfeiltasten blättern und OK drücken, wenn „Drucksens. Hydraulik kalibr.“ angezeigt wird.
5. Erneut OK drücken, wenn das Display NULLPUNKT KALIBRIEREN anzeigt.
6. Das Hydraulikaggregat starten.
7. Das Öldruckreduzierventil auf 0 Bar einstellen.
8. Pfeiltasten drücken, bis der Wert für den Öldruck als 0 Bar angezeigt wird, d.h. dem Wert am Drucksensor des Öldruckreduzierventils entspricht.
9. OK drücken, um die Kalibrierung durchzuführen.

So kalibrieren Sie den Maximalpunkt:



HINWEIS!

Kalibrieren Sie den Nullpunkt (siehe oben) vor dem Maximalpunkt, damit das Hydraulikaggregat auf jeden Fall gestartet wurde.

1. Das Untermenü „Sensor Ein/Aus kalibrieren“ im Menü „Einstellungen“ wählen.
2. Mit den Pfeiltasten blättern und OK drücken, wenn „Drucksens. Hydraulik kalibr.“ angezeigt wird.
3. Erneut OK drücken, wenn das Display MAXPUNKT KALIBRIEREN anzeigt.
4. Das Öldruckreduzierventil auf 215 Bar einstellen.
5. Pfeiltasten drücken, bis der Wert für den Öldruck als 215 Bar angezeigt wird, d.h. dem Wert am Drucksensor des Öldruckreduzierventils entspricht.
6. OK drücken, um die Kalibrierung durchzuführen.
7. Abwärtspfeil drücken, um zum nächsten Teilmenü zu gelangen.

4.7 Potentiometer kalibrieren

Diese Funktion wird bei der Kalibrierung der Nullstellungen der Räder für Vorschub und Längsvorschub verwendet.

Kalibrierung der Nullstellungen:

1. Mit den Pfeiltasten blättern und OK drücken, wenn „Potentiometer kalibrieren“ angezeigt wird.

Das Display zeigt an: 0 0 KALIBRIEREN. Die linke Zahl bezieht sich auf den Vorschub und die rechte auf den Längsvorschub.

Wurden die Räder aus den Nullstellungen gedreht, werden die Nullen sowie einige >>> angezeigt. Die Anzahl der Pfeile richtet sich danach, wie weit die Räder aus den Nullstellungen gedreht wurden.

1. Die Schraube auf der jeweiligen Radseite herausdrehen und die Räder entfernen. Einen Inbusschlüssel verwenden.
2. Die Achsen drehen, bis das Display nur zwei Nullen anzeigt.
3. Räder wieder montieren.
4. Kunststoffscheibe justieren.
5. OK drücken.
6. Abwärtspfeil drücken, um weiter zu „Zurück zum Menü“ zu gelangen.

5 Smartbox-Einstellungen

Dieses Untermenü enthält Informationen über das Hydraulikaggregat und Funktionen für die Einstellung von Einheiten und PIN-Code. Das Untermenü besteht aus 6 Teilmenüs:

1. Husqvarna Smartbox-Version
2. US-Einheiten
3. Funk-ID
4. ID Hydraulikaggr.
5. PIN-Code
6. PIN-Code ändern

1. Husqvarna Smartbox-Version Das Display zeigt die Versionsnummer der Software an, z. B. 2.0.
 - Abwärtspfeil drücken, um zum nächsten Teilmenü zu gelangen.
2. US-Einheiten. Das Display zeigt an: US-EINHEITEN sowie EIN oder AUS. Ist die Funktion EINGeschaltet, werden im Menüsystem US-amerikanische Einheiten angezeigt.
 - Abwärtspfeil drücken, um zum nächsten Teilmenü zu gelangen.
3. Funk-ID

Um eine Funkverbindung zwischen Fernsteuerung und Hydraulikaggregat herzustellen, muss die ID-Nummer angegeben werden. Zum Ändern der ID-Nummer müssen Fernsteuerung und Hydraulikaggregat per CAN-Kabel miteinander verbunden sein.

- OK drücken, wenn das Display FUNK-ID 0 0 anzeigt. Die linke Zahl bezieht sich auf hohe Byte und die rechte auf niedrige Byte.
- Mit den Pfeiltasten die hohen Byte angeben und OK drücken.
- Mit den Pfeiltasten die niedrigen Byte angeben und OK drücken.
- Abwärtspfeil drücken, um zum nächsten Teilmenü zu gelangen.

Im Lieferzustand entspricht die ID-Nummer der Maschinenummer. Werden Fernsteuerung oder Hydraulikaggregat ersetzt oder umprogrammiert, muss eine ID-Nummer angegeben werden. Geben Sie dabei z.B. die ID-Nummer des Hydraulikaggregats an.

4. ID Hydraulikaggr.

Das Display zeigt die ID-Nummer des Hydraulikaggregats an. Die ID-Nummer muss größer als 0 sein.

- Abwärtspfeil drücken, um zum nächsten Teilmenü zu gelangen.

5.5 PIN-Code

Ist diese Funktion aktiviert, muss jedes Mal beim Einschalten der Fernsteuerung ein vierziffriger PIN-Code eingegeben werden. Beim ersten Mal ist der Code 0000. Wird vier Mal nacheinander ein falscher PIN-Code eingegeben, wird das Hydraulikaggregat gesperrt. In diesem Fall muss ein PUK-Code (von Husqvarna erhältlich) angegeben werden, um die Sperre zu lösen.

Das Display zeigt an: PIN-CODE sowie EIN oder AUS.

Zum Aktivieren oder Deaktivieren:

- OK drücken, um zwischen EIN und AUS zu wechseln.
- Abwärtspfeil drücken, um zum nächsten Teilmenü zu gelangen.

5.6 PIN-Code ändern

- OK drücken, wenn das Display PIN-CODE ÄNDERN anzeigt.
- Aktuellen PIN-Code eingeben und OK drücken.
- Beim ersten Mal ist der Code 0000.
- Neuen PIN-Code eingeben und OK drücken.
- Zur Bestätigung den neuen PIN-Code nochmals eingeben und OK drücken.
- Abwärtspfeil drücken, um weiter zu „Zurück zum Menü“ zu gelangen.

6. Grundeinstellung

Diese Funktion setzt alle Menüeinstellungen auf die Werkseinstellungen zurück. Auch der PIN-Code wird zurückgesetzt.

Das Display zeigt an: GRUNDEINSTELLUNG sowie EIN oder AUS. AUS wird angezeigt, wenn eine Änderung erfolgt ist, die sich von den Grundeinstellungen unterscheidet.

7 Einstell. beenden

Diese Funktion bestätigt oder bricht alle erfolgten Einstellungen ab, bevor das Betriebsmenü wieder angezeigt wird.

- OK drücken, wenn das Display EINSTELL. BEENDEN anzeigt.
- Das Display zeigt an: SPEICHERN? NEIN. Erfolgte Einstellungen nicht speichern:
- OK drücken.
- Erfolgte Einstellungen speichern:
- Pfeiltasten drücken, um JA zu wählen.
- OK drücken.

Fehlermeldungen

Zehn verschiedene Fehlermeldungen können im Display erscheinen:

- ACHTUNG! Niedr. Spann. (1A) Spannungsversorgung und Kabel zum Hydraulikaggregat kontrollieren
- Niedr. Spann. Phase x (1B) Schwa.Leist. 32A
- Motorschutz ausgel. (2)
- Motor überhitzt (3) Kühlvorgang. ELEKTROMOTOR NICHT AUSSCHALTEN!
- Öltemp. hoch (4) Wasserzufuhr zum Hydraulikaggregat prüfen
- Drucksensor (5) ausser Betrieb
- Hoher Hydr.druck (6) prüfen AGGREGAT
- Kein Kontakt CAN-Kabel prüfen (7)
- KEIN FUNKKONTAKT (8)

Fehlermeldung (1A)



ACHTUNG!

Niedr. Spann. Spannungsversorgung und Kabel zum Hydraulikaggregat kontrollieren.

Zu niedrige Spannung aufgrund von:

- Langem Anschlusskabel.
- Zu kleinem Leiterquerschnitt des Stromkabels.

Eine oder mehrere Phasen fehlen aufgrund von:

- Ausgelöster Sicherung in der Stromeinheit.
- Unterbrechung im Stromkabel.
- Fehlender Spannung an einer oder mehreren Phasen in der Stromeinheit.

Maßnahme (1A)

OK drücken, um die Fehlermeldung zu bestätigen. Das Hydraulikaggregat wird dann die maximale Ausgangsleistung an 32 A anpassen.

Fehlermeldung (1B)

„Niedr. Spann. Phase x Schwa.Leist. 32A“, wobei x für Phase 1, 2 oder 3 steht.

Maßnahme (1B)

OK drücken, um die Fehlermeldung zu bestätigen. Im Display wird angegeben, dass die maximale Ausgangsleistung auf 32 A eingestellt ist. Ist die Spannung weiterhin niedrig, wird der Elektromotor ausgeschaltet und eine Fehlermeldung bezüglich der niedrigen Spannung wird angezeigt.

Durch Drücken auf OK geht das Aggregat zur maximalen, beim Start gewählten Leistung zurück. Soll zwischen 63 A und 32 A gewechselt werden, muss das Aggregat aus- und eingeschaltet werden.

Die Speisespannung im Betriebsmenü „Phase 1, 2, 3“ ablesen. Liegt die Spannung vor dem Starten des Motors ...

... unter 340 V: Prüfen, dass keine Unterbrechung eines Leiters im Kabel vorliegt und dass Spannung zur Stromeinheit vorhanden ist.

... über 340 V: Die Leiterquerschnitte und Länge des Kabels prüfen.

Fehlermeldung (2)

„Motorschutz ausgel.“

Ursache (2):

Der Elektromotor war überbelastet, oder eine Phase fehlt. Daher hat der Motorschutz für den Elektromotor ausgelöst.

Maßnahme (2):

OK drücken, um die Fehlermeldung zu bestätigen. Prüfen, dass die Spannung zum Hydraulikaggregat an allen drei Phasen vorhanden ist.

Die Speisespannung im Betriebsmenü „Phase 1, 2, 3“ ablesen.

Falls die Spannung an einer Phase fehlt: Stromkabel und Spannung zur Stromeinheit prüfen. Der Motorschutz wird innerhalb von drei Minuten automatisch neu gestartet.

Ist die Spannung an allen Phasen höher als 340 V: Warten, bis der Motorschutz wieder startet. Danach das Hydraulikaggregat neu starten.

Löst der Motorschutz oft aus, Kontakt mit dem Kundendienst aufnehmen.

Fehlermeldung (3)

„Motor überhitzt. Kühlvorgang. Elektromotor nicht ausschalten!“

**ACHTUNG!**

Den Motor nicht abschalten, da er andernfalls beschädigt werden kann. Nach dem Abkühlen schaltet sich der Motor automatisch ab.

Ursache (3)

Die Motortemperatur ist zu hoch.

Maßnahme (3)

OK drücken, um die Fehlermeldung zu bestätigen.

Sollte es trotz allem erforderlich sein, den Motor auszuschalten, muss die Fehlermeldung trotzdem zuerst durch Drücken von OK bestätigt werden.

Das Display zeigt an: KÜHLUNG. Die Hydraulikventile für die Klinge und den Vorschub werden ausgeschaltet. Vorschubbewegungen können jedoch neu gestartet werden.

Ist die Motortemperatur unter den Grenzwert gesunken, zeigt das Display: MOTOR GEKÜHLT OK DRÜCKEN.

Ist der Motor oft überhitzt, Kontakt mit dem Kundendienst aufnehmen.

Fehlermeldung (4)

„Öltemp. hoch Wasserzufuhr zum Hydraulikaggregat prüfen“

Ursache (4)

Die Kühlung des Hydrauliköls funktioniert nicht.

Maßnahme (4)

Bei Anzeige der Fehlermeldung wird der Elektromotor ausgeschaltet. OK drücken, um die Fehlermeldung zu bestätigen. Prüfen, dass das Kühlwasser an das Hydraulikaggregat angeschlossen ist und dass das Wasser zur Klinge fließt, wenn das Rad der Klängenrotation gedreht wird.

Fehlermeldung (5)

„Drucksensor außer Betrieb“

Ursache (5)

Der Drucksensor für den Hydraulikdruck der Klängenrotation funktioniert nicht.

Maßnahme (5)

OK drücken, um die Fehlermeldung zu bestätigen. Erscheint die Fehlermeldung wiederholt, den Drucksensor austauschen.

Fehlermeldung (6)

„Hoher Hydr.druck Aggregat prüfen“

Ursache (6)

Die Klinge sitzt fest, was zu hohem Hydraulikdruck führt.

Maßnahme (6)

OK drücken, um die Fehlermeldung zu bestätigen.
Erscheint diese Fehlermeldung oft, Kontakt mit dem Kundendienst aufnehmen.

Fehlermeldung (7)

„Kein Kontakt CAN-Kabel prüfen“

Ursache (7)

Das CAN-Kabel oder sein Verbinder ist beschädigt, weshalb sich das Hydraulikaggregat nicht über die Fernsteuerung steuern lässt.

Maßnahme (7)

OK drücken, um die Fehlermeldung zu bestätigen. Kabel und Verbinder prüfen und die beschädigte Komponente austauschen. Bleibt der Fehler bestehen, Kontakt mit dem Kundendienst aufnehmen.

Fehlermeldung (8) – bei Aggregaten mit Funkanlage

„Kein Funkkontakt“

Ursache (8)

Der Funkkontakt zwischen Hydraulikaggregat und Fernsteuerung funktioniert nicht.

Maßnahme (8)

Zur Behebung des Fehlers können mehrere Maßnahmen erforderlich sein:

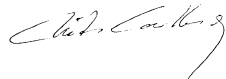
- Darauf achten (über Betriebsmenü – Einstellungen – Funk-ID), dass die ID-Nummer größer als 0 ist.
- Darauf achten, dass das Hydraulikaggregat gestartet ist.
- Nahe an das Hydraulikaggregat gehen, um einen zu langen Abstand oder armierte Wände zu vermeiden.

Fernsteuerung erneut starten. Bleibt der Fehler bestehen, Kontakt mit dem Kundendienst aufnehmen.

Konformitätserklärung

Husqvarna Construction Products Sweden AB, Box 2098, S-550 02 Jönköping, Schweden, Tel.: +46 (0)36 570 60 00 bescheinigt hiermit, dass die Herstellung des Hydraulikaggregats RC 455 ab dem 1. Januar 2001 folgenden Richtlinien des Rates einschließlich aller Änderungen entspricht: 98/37/EWG (Maschinenrichtlinie), 73/23/EWG (Niederspannungsrichtlinie) und 89/336/EWG (EMV-Richtlinie). Folgende Standards dienen als Grundlage: EN 55 014-1, EN 55 014-2, EN 61 000-3-2, EN 50 144-1, EN 13 862.

Jönköping, den 01.01.2005



Christer Carlberg
Geschäftsführer

Italiano

Contenuto

Legenda	53
Disposizioni di sicurezza	54
Introduzione	56
Identificazione delle parti	57
Dati tecnici	59
Montaggio/installazione dell'attrezzatura ..	60
Procedura per il taglio di muri	61
Avviare la rotazione della lama	61
Al termine del lavoro.....	61
Procedura per il taglio a filo	62
Funzioni menu	63
Menu iniziale.....	63
Menu di esercizio	63
Ricarica della batteria	65
Impostazioni.....	66
Messaggi di guasto	70
Dichiarazione di conformità CE	73

Legenda

Sulla macchina e nel relativo manuale sono utilizzati i seguenti simboli. Per un utilizzo sicuro della macchina, è importante che l'operatore conosca il loro significato.

Manuale

Leggere attentamente le istruzioni per l'uso e comprenderne il contenuto prima di utilizzare la macchina.



Dispositivi di protezione individuale

Utilizzare sempre:

- un elmetto protettivo approvato;
- protezioni acustiche approvate;
- occhiali protettivi o una visiera approvati e gli altri dispositivi di protezione individuale necessari.



Avvertenza

Un grande triangolo di avvertenza accompagnato dal testo "Avvertenza" indica che sussiste il rischio di gravi lesioni personali o incidenti mortali.



Attenzione

Un piccolo triangolo di avvertenza accompagnato dal testo "Attenzione" indica che sussiste il rischio di lesioni personali lievi o danni alla macchina.



Nota

Una mano con l'indice sollevato accompagnata dal testo "Nota" indica che occorre prestare particolare attenzione durante l'esecuzione delle operazioni descritte.



CE

Questo simbolo indica che la macchina è conforme alle direttive CE vigenti.



Pericolo scossa elettrica

Questo simbolo indica la presenza di alta tensione.



Marchio ambientale

Questo simbolo sul prodotto o sulla relativa confezione indica che il prodotto non può essere smaltito fra i rifiuti domestici. Deve invece essere consegnato a un centro di raccolta autorizzato per il riciclaggio delle attrezzature elettriche ed elettroniche.

Smaltendo il prodotto nel modo corretto si contribuisce a ridurre l'impatto ambientale e sull'uomo.

Per maggiori informazioni sul riciclaggio di questo prodotto, contattare il proprio comune, il centro di raccolta dei rifiuti domestici locale o il rivenditore.



Disposizioni di sicurezza

Efficienza e semplicità, unite a sicurezza d'uso, sono criteri di massima priorità nella progettazione e produzione dei prodotti Husqvarna. Per garantire la massima sicurezza della macchina, attenersi sempre ai seguenti punti.



AVVERTENZA

Questa macchina deve essere utilizzata esclusivamente con Husqvarna WS 355, 463, 462, 460 o DIMAS CS2512. Non utilizzare la macchina per altri scopi.



ATTENZIONE

Prima di avviare la macchina, accertarsi sempre che siano rispettate le norme di sicurezza. In caso contrario, la Husqvarna Construction Products Sweden AB o i suoi rappresentanti declinano ogni responsabilità per danni sia diretti che indiretti. Leggere le presenti istruzioni per l'uso e accertarsi di averne compreso il contenuto prima di utilizzare la macchina. Se dopo aver letto le presenti disposizioni sussistono dubbi legati alla sicurezza, non utilizzare la macchina. Per maggiori informazioni, contattare il proprio rivenditore.

- Controllare che tutti i raccordi, i collegamenti e i flessibili idraulici siano integri.
- Tutti gli operatori devono essere addestrati all'uso della macchina. Spetta al proprietario organizzare l'addestramento degli operatori.
- Accertarsi che tutti i flessibili e i cavi di alimentazione siano collegati correttamente alla macchina prima di avviarla.
- Persone e animali possono distrarre l'operatore e fargli perdere il controllo delle macchine. Rimanere concentrati sul proprio lavoro.
- Non lasciare mai la macchina incustodita a motore acceso.
- Prestare attenzione a non restare impigliati in parti mobili con abiti, capelli e gioielli.
- Estranei nell'area di lavoro possono subire lesioni. Non avviare mai la macchina senza essersi accertati che non vi siano persone o animali nell'area di lavoro. All'occorrenza, recintare l'area di lavoro.
- Prima di staccare i flessibili idraulici, accertarsi sempre di aver spento il gruppo e che il motore sia completamente fermo.
- Se nonostante tutto dovesse verificarsi una situazione di pericolo, premere il pulsante di arresto di emergenza rosso sul lato del gruppo o premere il pulsante di avvio/arresto verde sul telecomando.
- Utilizzare idonei dispositivi di protezione individuale, ad es. elmetto, scarpe protettive, occhiali protettivi e protezioni acustiche. Le protezioni acustiche sono obbligatorie perché il livello acustico è superiore a 85 dB(A).
- Lavori in prossimità di linee elettriche

Quando si utilizzano attrezzi idraulici in prossimità di linee elettriche, devono essere utilizzati flessibili idraulici con apposita marcatura e omologati come "non elettroconduttori". L'utilizzo di flessibili diversi può provocare gravi lesioni personali o incidenti mortali.

In caso di sostituzione, utilizzare flessibili marcati come "non elettroconduttori". L'isolamento elettrico dei flessibili deve essere controllato periodicamente nel rispetto delle apposite istruzioni.
- Lavori in prossimità di condutture del gas

Controllare sempre e tracciare la posizione delle condutture del gas. Il lavoro in prossimità di condutture del gas è estremamente pericoloso. Evitare la formazione di scintille in quanto sussiste il pericolo di esplosione. Rimanere concentrati sul proprio lavoro. La negligenza può provocare gravi lesioni personali o incidenti mortali.
- Tracciare la posizione di tutte le condutture nascoste, ad es. idriche e del gas.
- Accertarsi che il cavo elettrico e il cavo can-bus siano integri e non possano essere danneggiati durante il lavoro.
- Controllare quotidianamente che attrezzi, flessibili e raccordi non presentino perdite. Una perdita o una rottura può provocare la penetrazione di olio nel corpo o altre gravi lesioni personali.
- Non superare la pressione di lavoro nominale per l'attrezzo o il flessibile idraulico in questione. Una sovrappressione può provocare perdite o rotture.
- Non tentare di rilevare le perdite con le mani. Sussiste il rischio di gravi lesioni personali a causa dell'elevata pressione nell'impianto idraulico.
- Non sollevare o trasportare l'attrezzo afferrandolo per i flessibili.
- Maneggiare i flessibili con cura.
- Non utilizzare flessibili ritorti, usurati o danneggiati.

- Controllare che i flessibili siano collegati correttamente all'attrezzo e che i raccordi idraulici siano bloccati come previsto prima di mettere in pressione l'impianto idraulico. I raccordi si bloccano girando il manicotto esterno sul raccordo femmina in modo da allontanare la scanalatura dalla sfera.

I flessibili di mandata dell'impianto devono essere sempre collegati all'ingresso dell'attrezzo. I flessibili di ritorno dell'impianto devono essere sempre collegati all'uscita dell'attrezzo. L'inversione dei collegamenti può provocare il funzionamento inverso dell'attrezzo e conseguenti lesioni personali.

- Tenere puliti i raccordi idraulici.
- Inserire sempre l'interruttore di arresto di emergenza sul telecomando prima di spostare l'attrezzatura.
- Accertarsi che i flessibili idraulici siano integri e non possano essere danneggiati durante il lavoro. Un'eventuale perdita può comportare pericolo di scivolamento.
- Accertarsi che almeno una persona si trovi nelle vicinanze e possa chiamare aiuto in caso di incidenti durante l'utilizzo della macchina.
- Non utilizzare le macchine se non funzionano correttamente.
- Non apportare mai modifiche ai dispositivi di sicurezza. Verificarne periodicamente il funzionamento. Non utilizzare la macchina se i dispositivi di sicurezza sono difettosi o rimossi.
- Rispettare sempre le norme di prevenzione degli infortuni, altre norme di sicurezza generiche e le disposizioni di medicina del lavoro.
- Accertarsi che vi sia una cassetta di pronto soccorso nelle vicinanze delle macchine durante il lavoro.
- Mantenere tutte le parti in buono stato e verificare che tutti gli elementi di fissaggio siano serrati correttamente. Sostituire tutte le etichette usurate o danneggiate.

- Rimettere le macchine in un locale chiuso e fuori dalla portata di bambini o adulti non addestrati all'uso della macchina.
- Considerare il pericolo di incendio legato a formazione di scintille e sviluppo di calore. Se non sono state fissate norme locali in merito alla prevenzione antincendio per mototroncatrici o levigatrici, applicare le disposizioni previste per la saldatura ad arco.



AVVERTENZA

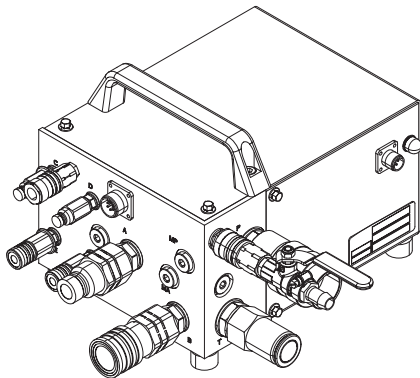
Quando si utilizza la macchina, utilizzare sempre dispositivi e indumenti di protezione individuale approvati. Gli indumenti e i dispositivi di protezione individuale non eliminano il rischio di incidenti, ma possono ridurre la gravità delle lesioni qualora si verifichi un incidente. Per informazioni su dispositivi e indumenti di protezione individuale approvati, rivolgersi al proprio rivenditore.

Introduzione

Husqvarna RC 455 "Smartbox" è un'unità di comando piccola e compatta progettata per collegare un gruppo idraulico senza valvole di comando (ad es. un gruppo diesel) a Husqvarna WS 355, WS 462, WS 463 e CS 2512.

Poiché l'unità RC 455 è dotata di valvola prioritaria, si può utilizzare un gruppo diesel erogatore di flusso per comandare le macchine azionate da diversi flussi, ad es. per l'azionamento di lama e movimento.

Collegando le suddette unità a RC 455 è possibile azionarle come se fossero collegate a un gruppo idraulico PP 455 E.



RC 455 è fornita con le seguenti attrezzature:

1 RC 455

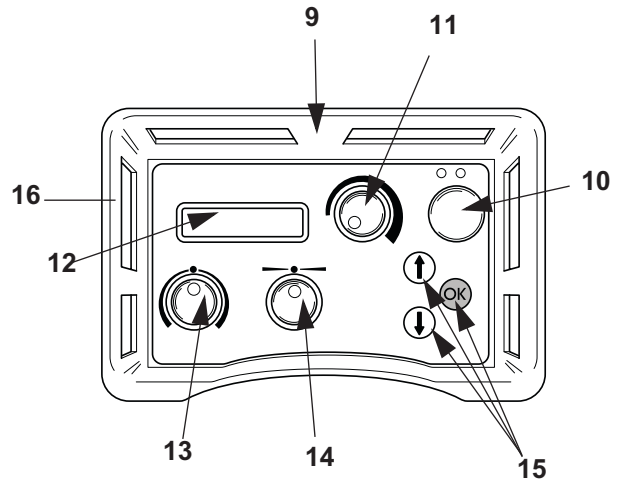
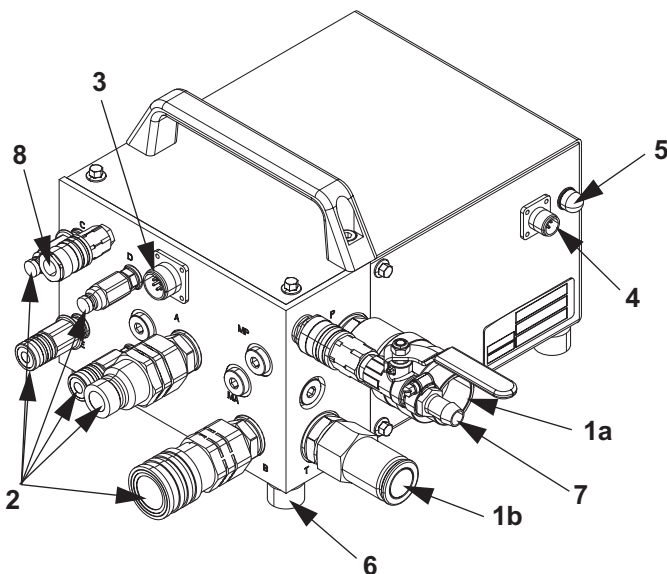
1 telecomando

1 gruppo flessibili da 8 m

1 cavo can-bus da 8 m

1 cavo di collegamento da 12 V DC

Identificazione delle parti



1. Raccordi idraulici per flessibili in entrata

A questi raccordi da 3/4" si collegano i flessibili provenienti dal gruppo idraulico. Qui arriva il flusso in entrata alla macchina. Il flusso del flessibile collegato al raccordo femmina (1a) aziona l'attrezzo mentre il flusso che attraversa il raccordo maschio (1b) è il flusso di ritorno al gruppo idraulico.

2. Raccordi idraulici per flessibili in uscita

A questi raccordi si collegano i flessibili idraulici in dotazione. Questi vengono a loro volta collegati all'attrezzo idraulico desiderato.

I raccordi grandi sono utilizzati per azionare l'attrezzo collegato mentre quelli piccoli per azionare i movimenti. Il flusso nei flessibili con raccordo femmina aziona il movimento in lunghezza mentre quello nei flessibili con raccordo maschio aziona il movimento in profondità.

3. Raccordo del cavo can-bus

Per il collegamento del cavo can-bus, che invia i segnali di comando fra RC 455 e telecomando. Il cavo can-bus è dotato di fermo per evitare che venga staccato per errore.

4. Raccordo 12 V DC

Per il collegamento della corrente di alimentazione di RC 455. La corrente proviene generalmente dal gruppo idraulico utilizzato insieme a RC 455. Il raccordo è dotato di fermo per evitare che il cavo venga staccato per errore.

Il cavo da 12 V è in dotazione e viene fornito con una "Pig tail". L'operatore dovrà collegarla al relativo gruppo idraulico. Vedere di seguito in "Montaggio/installazione dell'attrezzatura".

5. Fusibile automatico

Scatta se la corrente da 12 V DC in entrata diventa troppo alta. Si ripristina premendo una volta il pulsante.

6. Piedini

Proteggono la macchina da vibrazioni e sporcizia.

7. Raccordo dell'acqua in entrata

8. Raccordo dell'acqua in uscita

9. Telecomando

Il telecomando è utilizzato per azionare RC 455. Affinché il telecomando funzioni, il quadro del gruppo idraulico deve essere acceso.

10. Flusso ON/OFF

È l'unico comando utilizzabile per avviare il flusso idraulico dal gruppo idraulico.

Premendo una volta il comando, il gruppo idraulico raggiunge il regime di esercizio e inizia a erogare il flusso. Per fermare il flusso, premere un'altra volta il pulsante di avvio o premere il pulsante di arresto di emergenza sul lato sinistro del telecomando.

11. Rotazione della lama

Comando per l'avvio della rotazione della lama/ l'avanzamento del filo. Per ottenere la piena potenza dalla lama occorre portare il comando al finecorsa destro.

12. Display

Il display fornisce informazioni su impostazioni necessarie, necessità di assistenza o eventuali guasti.

Durante il lavoro, il display mostra la pressione principale istantanea per la rotazione della lama (non la pressione di movimento).

13. Movimento in profondità

Comando per il movimento in profondità della lama. Consente di regolare il movimento in profondità della lama o la tensione del filo durante il taglio a filo.

14. Movimento in lunghezza

Comando per il movimento in lunghezza dell'unità di taglio. Consente di regolare direzione e velocità. Aumentando il movimento in lunghezza aumenta anche la pressione di rotazione della lama. Il valore può essere letto sul display.

15. Tasti di selezione

I tasti con le frecce si utilizzano per:

- Sfogliare i menu.
- Aumentare/ridurre i valori numerici.

Il tasto di conferma OK si utilizza per:

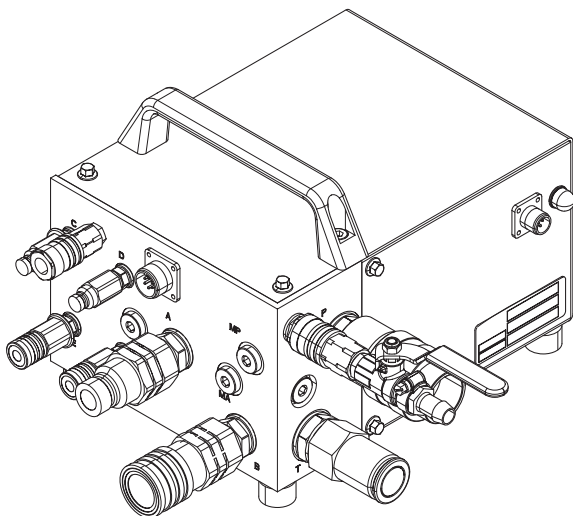
- Aprire i sottomenu.
- Confermare i valori regolati con i tasti.
- Attivare/disattivare il trasmettitore.

16. Arresto di emergenza

Sul lato del telecomando si trova un interruttore di arresto di emergenza. Premendo l'interruttore di arresto di emergenza, l'attrezzo collegato si ferma e il gruppo idraulico passa al minimo.

i taglio.

Dati tecnici



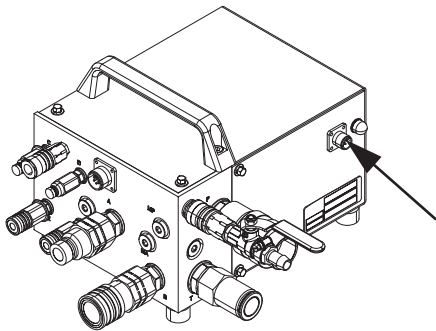
Flusso max _____	115 l/min. (30 GPM)
Pressione max _____	230 bar (3340 psi)
Flusso di olio idraulico raccomandato proveniente dal gruppo idraulico:	
WS 463 _____	80 l/min. (21 GPM)
WS 462 _____	70 l/min. (18,5 GPM)
CS2512 _____	80 l/min. (21 GPM)
Peso _____	19,6 kg (43.3 libbre)
Collegamento elettrico _____	12 V DC
Gruppo flessibili _____	8 m

Montaggio/installazione dell'attrezzatura

Alla fornitura di RC 455, il cavo di alimentazione è provvisto solo di un contatto da 12 V DC. Per il funzionamento della macchina occorre collegare l'estremità del cavo senza contatto al cavo di alimentazione in uscita dal gruppo idraulico.

Trasportare la macchina in un luogo idoneo, installare correttamente l'attrezzo idraulico desiderato e collegare la macchina.

1. Portare il quadro del gruppo diesel su ON senza accendere il motore diesel.
2. Collegare il cavo di alimentazione proveniente dal gruppo diesel di RC 455.

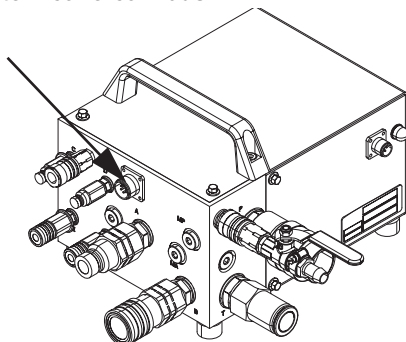


AVVERTENZA

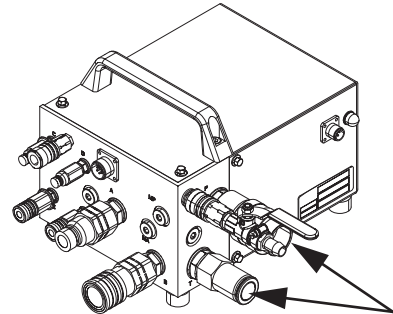
RC 455 può essere collegata esclusivamente a una tensione di 12 V DC. Il collegamento della macchina a una tensione superiore può causare danni all'attrezzatura e gravi lesioni all'operatore.

3. Collegare il telecomando con il cavo can-bus in dotazione. Avvitare il connettore a mano.

Se la macchina è dotata di radio, si può collegare un'antenna radio al posto del cavo can-bus. Questa deve essere avvitata nel punto in cui si sarebbe collegato il cavo can-bus.



4. Controllare che l'arresto di emergenza sul telecomando non sia inserito. Il display sul telecomando visualizza "SMARTBOX COLLEGARE IL GRUPPO FLESSIBILI".
5. Collegare i flessibili idraulici provenienti dal gruppo diesel di RC 455.



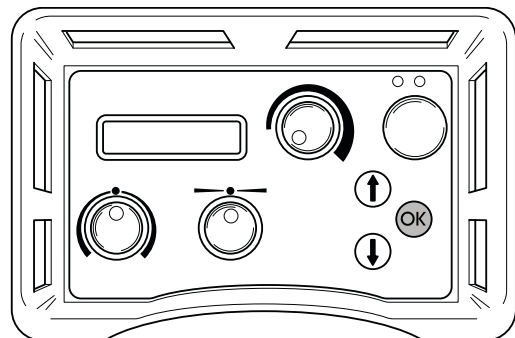
6. Se si deve utilizzare CS2512, collegare i raccordi femmina del gruppo di riduzione della pressione ai raccordi maschio di RC 455.
7. Collegare i flessibili idraulici di RC 455. Sono disponibili 2 tipi di flessibili idraulici per collegare RC 455 all'attrezzo desiderato (WS 462, 463 o CS 2512):

Nelle mototroncatrici per muri della serie WS 400, i 4 flessibili piccoli comandano i motori di movimento, cioè i movimenti in profondità e in lunghezza. I 2 flessibili grandi comandano il disco.

Se si collega al gruppo una mototroncatrice a filo CS 2512, i 2 flessibili piccoli comandano la tensione del braccio di magazzino mentre i 2 flessibili grandi azionano il filo.

Collegare i flessibili contrassegnati da targhette rosse presso i raccordi ai flessibili che presentano le stesse targhette.

8. Una volta collegati tutti i flessibili idraulici, confermare premendo OK sul telecomando.



9. Accendere il motore del gruppo diesel e farlo funzionare al minimo.
10. Il display deve indicare "SMARTBOX AVVIARE MOTORE". Se non appare questo messaggio, seguire le istruzioni fornite sul display.
11. Controllare che tutte le attrezzature siano pronte per l'uso.

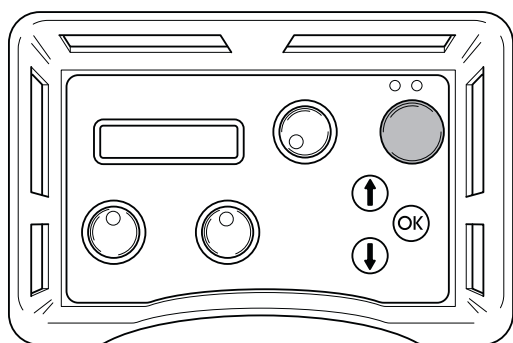
Procedura per il taglio di muri

Avviare la rotazione della lama

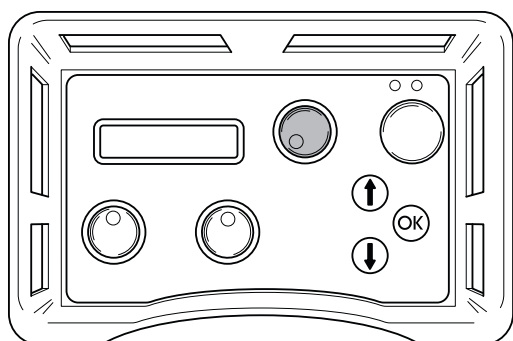
1. Accendere il motore del gruppo idraulico premendo una volta il pulsante verde sul telecomando.

Una volta acceso il motore, il gruppo diesel passa dal minimo al regime di esercizio e inizia a erogare un flusso.

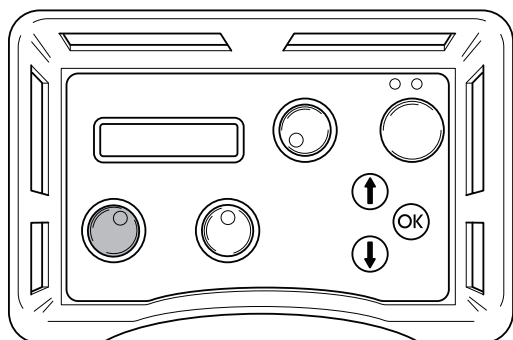
Per fermare il motore, premere un'altra volta il pulsante verde del telecomando.



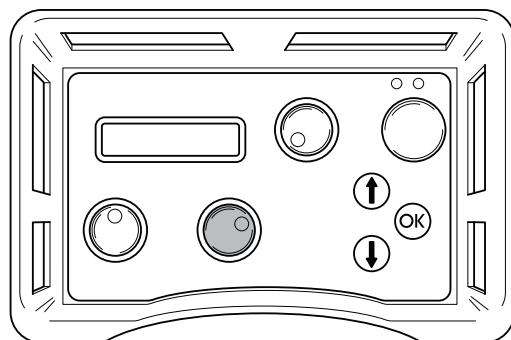
1. Girare sul massimo il comando di rotazione della lama per avviare la rotazione della lama e l'acqua di raffreddamento.



2. Avviare il movimento in profondità girando l'apposita manopola sul telecomando.

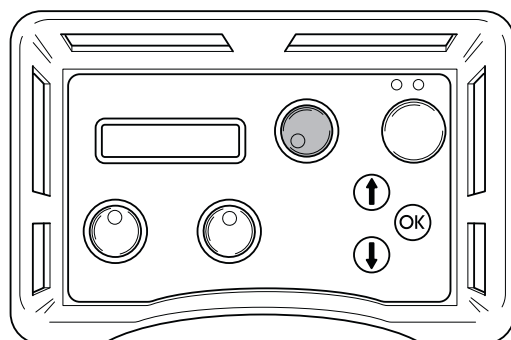


3. Avviare il movimento in lunghezza girando l'apposita manopola nel senso desiderato.

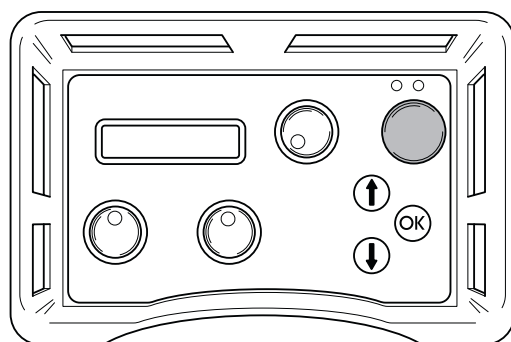


Al termine del lavoro

1. Al termine del lavoro, spegnere la rotazione della lama riportando su "0" l'apposita manopola sul telecomando.



2. Riportare il motore al minimo premendo il pulsante verde sul telecomando.



ATTENZIONE

Pulire sempre l'intera attrezzatura al termine della giornata di lavoro.

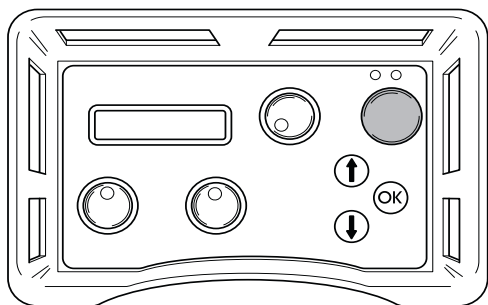
Procedura per il taglio a filo

Dopo avere montato tutte le attrezzature si può iniziare il taglio. Per la massima efficienza di taglio, si consiglia di avviare la mototroncatrice come segue:

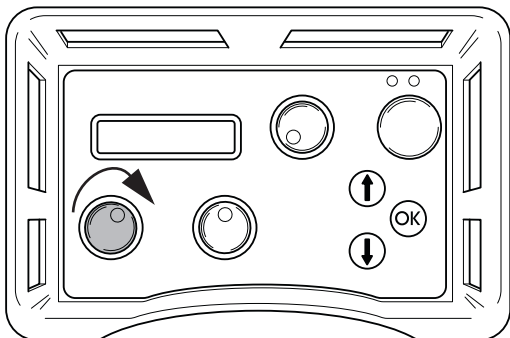
1. Montare il gruppo di riduzione della pressione in dotazione alla mototroncatrice a filo sul gruppo idraulico seguendo le istruzioni sul gruppo stesso.
2. Collegare 2 flessibili piccoli al gruppo di riduzione della pressione. Collegare il flessibile contrassegnato da una targhetta rossa presso il raccordo al flessibile del gruppo di riduzione della pressione che presenta la stessa targhetta.
3. Chiudere la valvola sul gruppo di riduzione della pressione girando la manopola in senso antiorario al finecorsa, quindi tornando indietro di due giri.
4. Portare il motore al regime di esercizio premendo una volta il pulsante verde sul telecomando.

A questo punto il motore del gruppo diesel passa dal minimo al regime di esercizio e inizia a erogare un flusso.

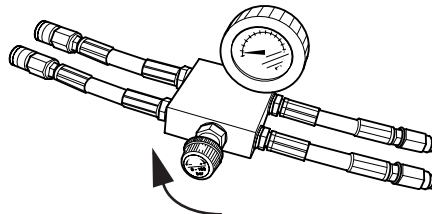
Per fermare il flusso e portare il motore del gruppo idraulico al minimo, premere un'altra volta il pulsante verde sul telecomando.



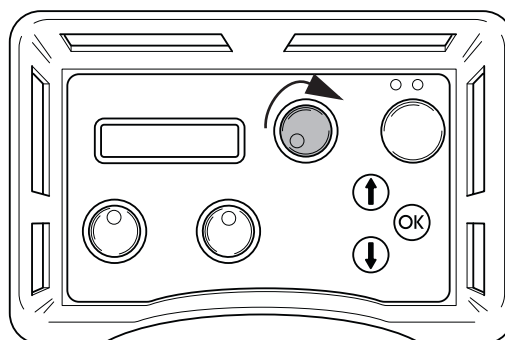
5. Impostare il flusso per il movimento del gruppo su max girando il comando sul telecomando in senso orario.



6. Tendere il filo girando con cautela la manopola sul gruppo di riduzione della pressione in senso orario finché non è sufficientemente teso. Controllare sempre che il filo sia posizionato correttamente su tutte le ruote della mototroncatrice.

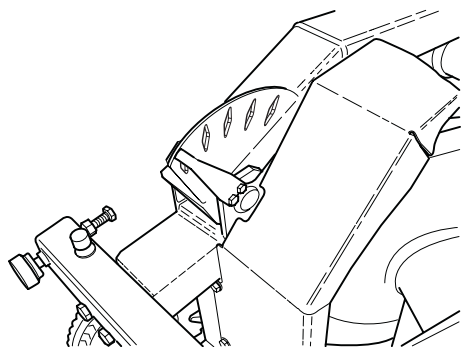


7. Avviare la rotazione del motore girando il relativo comando sul telecomando in senso orario.



8. Aumentare gradualmente il regime del motore girando il comando di rotazione del motore. Generalmente, durante il taglio la pressione di esercizio è compresa fra 100 e 130 bar, ma può variare ad es. in base al numero di coppie di ruote utilizzate nel magazzino, alla quantità di filo inserita e alla durezza del materiale da tagliare.
9. Durante il taglio del materiale, la pressione di esercizio può diminuire, come viene visualizzato sul display, e occorre tendere il magazzino. A tal fine, girare la manopola sul gruppo di riduzione della pressione in senso orario.

10. La tensione del magazzino è mostrata da un indicatore sulla macchina (in figura è riportata la posizione min). Quando il cilindro del magazzino è completamente teso, occorre fermare la macchina e avvolgere il filo intorno a una nuova coppia di ruote. Proseguire quindi il taglio come descritto sopra.



ATTENZIONE

Pulire sempre l'intera attrezzatura al termine della giornata di lavoro.

Funzioni menu

I menu che compaiono sul display si distinguono in menu, sottomenu ("Impostazioni") e menu parziali. I menu sono divisi in due sezioni:

- Menu iniziale: Qui si scelgono i presupposti in base ai quali lavorerà il gruppo idraulico.
- Menu di esercizio: Questo menu comprende le informazioni sullo stato di esercizio.

Menu iniziale

Il menu iniziale compare ogni volta che viene attivata la tensione per il gruppo idraulico. Sul display compare:

SMARTBOX Collegare il gruppo flessibili

- Premere OK quando tutti i flessibili sono collegati. Dopodiché comparirà la fase 2.

Menu di esercizio

Il menu di esercizio si attiva dopo che sono stati collegati i flessibili e l'operatore ha confermato con OK. In questo menu vengono fornite tutte le informazioni sull'esercizio e tutte le impostazioni possibili.

Il menu di esercizio si compone di sette menu:

1. 1a. Husqvarna PP-455, 1b Stato
2. Impostazioni
3. Cronometraggio
4. Tempo totale macchina
5. Stato della batteria (solo macchine dotate di radio)
6. Canale radio (solo macchine dotate di radio)

1.a Husqvarna SMARTBOX, Avvio del motore

Premere il pulsante verde sul telecomando per avviare il motore.

1b. Stato

Lo stato contiene le informazioni principali, sempre visibili sul display quando il gruppo idraulico con la macchina collegata è in funzione:

- STATO OK significa che il gruppo idraulico è in funzione e che non si registra alcun messaggio di avvertimento.
- yyy BAR; yyy sta per la pressione di esercizio istantanea.
- Se il cronometraggio è attivato, compare inoltre: mm:ss, vale a dire il tempo in minuti e secondi.

**ATTENZIONE**

Cavi elettrici lunghi con conduttori di sezione piccola possono dare origine a una caduta di tensione. Anche flessibili idraulici lunghi possono essere soggetti a cadute di tensione.

4. Impostazioni

Tramite questo sottomenu è possibile modificare una serie di valori che influiscono sulle caratteristiche del gruppo idraulico.

Per accedere al sottomenu: Digitare le quattro cifre del codice PIN 0012 tramite i tasti con le frecce e il pulsante OK.

Per salvare le impostazioni, selezionare "Salva" nel menu parziale 3 "ESCI DALLE IMPOSTAZIONI".

Per ottenere delle informazioni complete sulle possibilità d'impostazione, vedere capitolo "IMPOSTAZIONI".

5. Cronometraggio

Questa funzione si usa per misurare il tempo richiesto per ogni operazione. Il cronometraggio inizia dal momento in cui la mototroncatrice inizia a lavorare. Scegliere:

- ON, per attivare.
- OFF, per spegnere.
- AZZERAMENTO DEL CRONOMETRAGGIO, per azzerare.

Terminare l'operazione premendo OK. Sul display comparirà l'informazione principale "Stato".

Se è stato selezionato cronometraggio ON (e se il gruppo idraulico è in funzione, vedere 1.b) comparirà inoltre 00:00 nell'angolo in basso a destra sul display. Premere la freccia verso il basso per proseguire nel menu di esercizio.

Qui viene mostrato il tempo totale di esercizio del gruppo idraulico. Il tempo viene indicato in ore e minuti (hhhh:mm).

7. Stato della batteria (solo macchine dotate di radio)

Questa funzione controlla la batteria del telecomando. Sul display compariranno messaggi diversi, a seconda dello stato della batteria in quel preciso momento:

- 0 % BATTERIA 100 %

Quando il telecomando è collegato e la batteria si ricarica, compare un indicatore orizzontale che varia entro una scala 0 - 100 %. La lunghezza dell'indicatore rispetto alla scala mostra lo stato di carica della batteria.

- RICARICA BATTERIA

Compare quando il telecomando è collegato e la batteria si ricarica. Il tempo di ricarica da 0 % a 100 % è pari a circa 9 ore.

- BATTERIA COMPLETAMENTE CARICA

Compare quando la batteria è carica al 100 %.

- BATTERIA NON COLLEGATA

Compare quando la batteria non è collegata al telecomando. Il messaggio compare inoltre nel caso in cui l'unità di ricarica del telecomando sia danneggiata.

Ricarica della batteria



ATTENZIONE

Questo capitolo riguarda solo le macchine dotate di radio.

Il telecomando funziona con una batteria da 7,2 V. Durante la ricarica, l'arresto di emergenza sul telecomando deve sempre essere estratto.

È possibile ricaricare la batteria:

con un cavo can-bus (cod. 531 11 50-12);

con un cavo di ricarica collegato alla presa da 12 V del veicolo (cod. 531 14 20-92);

con un cavo di ricarica collegato al caricabatterie (cod. 531 11 72-54).

Con un cavo can-bus

Collegare il cavo can-bus al telecomando e al gruppo. Controllare che gli arresti di emergenza non siano inseriti e che il gruppo riceva corrente.

Il display indica "RICARICA BATTERIA IN CORSO".

Durante la ricarica il gruppo può essere utilizzato.

La ricarica richiede circa 10 ore.

Con un cavo di ricarica

Collegare il cavo di ricarica al telecomando e alla presa da 12 V del veicolo. Controllare che gli arresti di emergenza sul telecomando non siano inseriti. Durante la ricarica, il display indica "RICARICA BATTERIA IN CORSO".

La ricarica richiede circa 6 ore.

NB - SOLO 12 V

Ricarica con un caricabatterie

Collegare il cavo di ricarica al telecomando e al caricabatterie. Collegare quindi il caricabatterie a una presa di rete. Controllare che gli arresti di emergenza sul telecomando non siano inseriti. Durante la ricarica, il display indica "RICARICA BATTERIA IN CORSO".

La ricarica richiede circa 6 ore.

8. Canale radio

Se il telecomando viene fatto funzionare solo a batterie, si dovrà prima collegare un'antenna radio a Smartbox:

Rimuovere eventuali collegamenti del cavo.

Fissare l'adattatore dell'antenna al contatto di Smartbox. Controllare che la guida nell'adattatore dell'antenna sia al posto giusto nel contatto.

Avvitare l'anello dell'adattatore sul contatto.

Quando l'antenna è collegata è necessario selezionare un canale radio. Scegliere:

0, 1 o 2

Confermare premendo prima OK e poi la freccia verso il basso. Sul display comparirà l'informazione principale "Stato". Premere di nuovo la freccia verso il basso per proseguire nel menu di esercizio.

Impostazioni

Tramite questo sottomenu si ottengono tutte le possibili impostazioni per il gruppo idraulico e per il telecomando.

Per ottenere le impostazioni del sottomenu è necessario digitare un codice a quattro cifre. Questo codice è 0012.

Inserire il codice digitando una cifra per volta, da sinistra a destra. Premendo i tasti con le frecce si ottengono le cifre da 0-9; confermare premendo OK.

Il menu "IMPOSTAZIONI" comprende sette sottomenu, a loro volta suddivisi in una serie di menu parziali:

1. Seleziona lingua
2. Regolare la valvola idraulica per la lama
3. Regolare la valvola idraulica del movimento
4. Trasmettitore ON/OFF calibrare
5. Impostazioni gruppo idraulico
6. Registrazione base
7. Esci dalle impostazioni

Le cifre indicano le seguenti diciture.

1. Seleziona lingua

Grazie a questo sottomenu è possibile selezionare la lingua desiderata sul display.

Le diciture del sottomenu sono sempre in inglese. La lingua selezionata è indicata sotto il titolo.

Per selezionare la lingua:

- Sfogliare il menu usando i tasti con le frecce fino a quando comparirà la lingua richiesta.
- Premere OK.
- Premere il tasto con la freccia verso il basso per passare al prossimo sottomenu.

2. Regolare la valvola idraulica per la lama

Questo sottomenu contiene le possibilità di impostazione per la rotazione della lama e si compone di tre menu parziali:

Modificare il punto di avvio della lama

Modificare il punto di arresto della lama

Modificare il tempo di rampa della lama

2.1. Modificare il punto di avvio della lama

Il valore del punto di avvio deve essere regolato in modo che la rotazione della lama sia la più bassa possibile quando si gira l'apposita manopola dalla sua posizione sinistra.

Se il valore è troppo basso sarà necessario ruotare la manopola prima che la lama cominci a girare.

Se il valore è troppo alto, la lama comincerà a girare troppo velocemente quando si ruota la manopola.

2.2 Modificare il punto di arresto della lama

Il valore del punto di arresto deve essere regolato in modo che la rotazione della lama sia la più elevata possibile quando l'apposita manopola è girata verso destra.

Se il valore è troppo basso, può succedere che il gruppo idraulico non raggiunga la piena potenza.

Indicare il valore del punto di arresto:

- Premere OK quando compare il menu parziale.
Sul display compare: MODIFICARE IL PUNTO DI ARRESTO e una percentuale.
Sfogliare il menu tramite i tasti con le frecce per indicare il punto di arresto voluto. Per sfogliare più rapidamente tenere premuto il tasto con la freccia. La scala è graduata da 1 a 100 %.
- Premere OK.
- Premere il tasto con la freccia verso il basso per passare al prossimo menu parziale.

2.3 Modificare il tempo di rampa della lama

Il valore del tempo di rampa indica in quanto tempo la velocità di rotazione della lama deve cambiare girando l'apposita manopola.

Se il valore è troppo basso, l'impianto idraulico del motore della lama viene sottoposto a un'auto-oscillazione.

Indicare il valore del tempo di rampa:

- Premere OK quando compare il menu parziale.
Sul display compare: MODIFICARE IL TEMPO DI RAMPA e il tempo in secondi.
- Per ottenere il tempo di rampa voluto sfogliare il menu tramite i tasti con le frecce. Per sfogliare più rapidamente tenere premuto il tasto con la freccia. La scala è graduata da 0,0 a 9,9 secondi.
- Premere OK.
- Premere la freccia verso il basso per passare a "Ritorno al menu".

Questo sottomenu contiene le possibilità di impostazione per il movimento in lunghezza e in profondità della lama.

Il sottomenu si compone di cinque menu parziali:

3.1 Modifica del punto di avvio del movimento in lunghezza

3.2 Modifica del punto di arresto del movimento in lunghezza

3.3 Modifica del punto di avvio del movimento in profondità

3.4 Modifica del punto di arresto del movimento in profondità

3.5 Modifica del tempo di rampa per il movimento

3.1 Modifica del punto di avvio del movimento in lunghezza

Il valore del punto di avvio deve essere regolato in modo che il movimento in lunghezza sia il più lento possibile quando l'apposita manopola si trova sulla posizione zero, cioè in posizione intermedia fra le estremità sinistra e destra.

Se il valore è troppo basso, sarà necessario girare maggiormente la manopola dalla posizione zero prima che il movimento in lunghezza abbia inizio.

Se il valore è troppo alto, il movimento in lunghezza sarà eccessivo al momento in cui si inizia a girare la manopola dalla posizione zero.



ATTENZIONE

L'usura della valvola proporzionale e del motore idraulico può comportare la necessità di modificare il valore del punto di avvio.

Indicare il valore del punto di avvio:

- Premere OK quando compare il menu parziale.
Sul display compare: MODIFICARE IL punto di avvio e una percentuale.
- Sfogliare il menu usando i tasti con le frecce per indicare il punto di avvio voluto. Per sfogliare più rapidamente il menu, tenere premuti i tasti con le frecce. La scala è graduata da 1 a 100 %.
- Premere OK.
- Premere il tasto con la freccia verso il basso per passare al prossimo menu parziale.

3.2 Modifica del punto di arresto del movimento in lunghezza

Il valore del punto di arresto deve essere regolato in modo che la velocità del movimento in lunghezza sia la più elevata possibile quando l'apposita manopola è girata verso destra.

Se il valore del punto di arresto è troppo basso non si potrà raggiungere la massima velocità del movimento in lunghezza.

Indicare il valore del punto di arresto:

- Premere OK quando compare il menu parziale.
Sul display compare: MODIFICARE IL PUNTO DI ARRESTO e una percentuale.
- Sfogliare il menu tramite i tasti con le frecce per indicare il punto di arresto voluto. Per sfogliare più rapidamente tenere premuto il tasto con la freccia. La scala è graduata da 1 a 100 %.
- Premere OK.
- Premere il tasto con la freccia verso il basso per passare al prossimo menu parziale.

3.3 Modifica del punto di avvio del movimento in profondità

Il valore del punto di avvio deve essere regolato in modo che il movimento in profondità sia il più lento possibile quando l'apposita manopola si trova sulla posizione zero, cioè in posizione intermedia fra le estremità sinistra e destra.

Se il valore è troppo basso, sarà necessario girare maggiormente la manopola dalla posizione zero prima che il movimento in profondità abbia inizio.

Se il valore è troppo alto, il movimento in profondità sarà eccessivo al momento in cui si inizia a girare la manopola dalla posizione zero.

Indicare il valore del punto di avvio:

- Premere OK quando compare il menu parziale.
- Premere OK.
Sul display compare: MODIFICARE IL punto di avvio e una percentuale.
- Sfogliare il menu usando i tasti con le frecce per indicare il punto di avvio voluto. Per sfogliare più rapidamente tenere premuto il tasto con la freccia. La scala è graduata da 1 a 100 %.
- Premere OK.
- Premere il tasto con la freccia verso il basso per passare al prossimo menu parziale.

3.4 Modifica del punto di arresto del movimento in profondità

Il valore del punto di arresto deve essere regolato in modo che la velocità del movimento in profondità sia la più elevata possibile quando l'apposita manopola è girata verso destra.

Se il valore è troppo basso non è possibile raggiungere la massima velocità di movimento in profondità.

Indicare il valore del punto di arresto:

- Premere OK quando compare il menu parziale.
Sul display compare: MODIFICARE IL PUNTO DI ARRESTO e una percentuale.
- Sfogliare il menu tramite i tasti con le frecce per indicare il punto di arresto voluto. Per sfogliare più rapidamente tenere premuto il tasto con la freccia. La scala è graduata da 1 a 100 %.
- Premere OK.
- Premere il tasto con la freccia verso il basso per passare al prossimo menu parziale.

3.5 Modifica del tempo di rampa per il movimento

Il valore del tempo di rampa indica in quanto tempo la velocità di movimento deve cambiare girando la manopola di movimento in profondità o la manopola di movimento in lunghezza.

Il valore del tempo di rampa indicato per il movimento vale sia per la velocità di movimento in profondità che per quella di movimento in lunghezza.

Indicare il valore del tempo di rampa:

- Premere OK quando compare il menu parziale.
- Sul display compare: MODIFICARE IL TEMPO DI RAMPA e il tempo in secondi.
- Per ottenere il tempo di rampa voluto sfogliare il menu tramite i tasti con le frecce. Per sfogliare più rapidamente tenere premuto il tasto con la freccia. La scala è graduata da 0,0 a 9,9 secondi.
- Premere OK.
- Premere la freccia verso il basso per passare a "Ritorno al menu".

4 Trasmittitore ON/OFF calibrare

Questo sottomenu contiene le possibilità di impostazione dei diversi trasmettitori di pressione del gruppo idraulico.

Il sottomenu si compone di sette menu parziali:

- 4.1 Trasmittitore di temperatura per l'olio idraulico
- 4.2 Trasmittitore di pressione per il filtro
- 4.3 Trasmittitore di tensione
- 4.4 Trasmittitore per la pressione idraulica
- 4.5 Calibrare il trasmettitore di pressione per l'impianto idraulico
- 4.6 Calibrare il trasmettitore di tensione
- 4.7 Calibrare il potenziometro

4.1 Trasmittitore di temperatura per l'olio idraulico

Un trasmettitore di temperatura è montato vicino alla scheda elettronica. Il trasmettitore controlla che l'elettronica non si surriscaldi.

Quando il trasmettitore di temperatura è attivo, il sistema registra continuamente la temperatura.



ATTENZIONE

Il gruppo idraulico può venir danneggiato se si spegne il trasmettitore di temperatura.

Accendere/spegnere il trasmettitore di temperatura:

- Premere OK quando compare il menu parziale.
Sul display compare: TRASMETTITORE TEMP. PER OLIO IDR. e ON/OFF.
- Premere OK per commutare fra ON e OFF.
- Premere il tasto con la freccia verso il basso per passare al prossimo menu parziale.

4.4 Manometro per la misurazione della pressione idraulica

Il trasmettitore di pressione misura la pressione idraulica della lama.



ATTENZIONE

Spegnendo il trasmettitore di pressione si spegne anche il sistema di controllo del gruppo idraulico. L'impianto idraulico può in questo caso essere difficilmente manovrabile e controllabile se il carico è elevato.

Accendere/spegnere il trasmettitore di pressione:

- Premere OK quando compare il menu parziale.

Sul display compare: TRASMETTITORE DI PRESSIONE PER LA PRESSIONE IDRAULICA e ON/OFF.

- Premere OK per commutare fra ON e OFF.
- Premere il tasto con la freccia verso il basso per passare al prossimo menu parziale.

4.5 Calibrare il trasmettitore di pressione per l'impianto idraulico

Il trasmettitore di pressione che misura la pressione dell'olio per la rotazione della lama può venir calibrato.

Il trasmettitore di pressione deve essere calibrato seguendo l'ordine punto zero e punto massimo.

Per calibrare il punto zero:

1. Collegare il cavo elettrico in entrata a 63 A.
2. Collegare una valvola di riduzione della pressione dell'olio con manometro ai raccordi idraulici per la rotazione della lama.
3. Selezionare il sottomenu "Trasmittitore ON/OFF calibrare" nel menu "Impostazioni".
4. Sfogliare il menu tramite i tasti con le frecce e premere OK quando compare la scritta "Calibrare il trasmettitore per l'impianto idraulico".
5. Premere OK ancora una volta quando sul display compare: CALIBRARE IL PUNTO ZERO.
6. Accendere il gruppo idraulico.
7. Regolare la valvola di riduzione della pressione dell'olio fino a 0 bar.
8. Premere il tasto con la freccia verso l'alto/il basso fino a quando il valore per la pressione dell'olio indica 0 bar, cioè lo stesso valore presente sul manometro della valvola di riduzione della pressione dell'olio.
9. Premere OK per eseguire la calibratura.

Per calibrare il punto massimo:



ATTENZIONE

Calibrare il punto zero (vedere pagina precedente) prima del punto massimo. Questo per esser certi che il gruppo idraulico entri in funzione.

1. Selezionare il sottomenu "Trasmettitore ON/OFF calibrare" nel menu "Impostazioni".
2. Sfogliare il menu tramite i tasti con le frecce e premere OK quando compare la scritta "Calibrare il trasmettitore per l'impianto idraulico".
3. Premere OK ancora una volta quando sul display compare: CALIBRARE IL PUNTO MASSIMO.
4. Regolare la valvola di riduzione della pressione dell'olio fino a 215 bar.
5. Premere il tasto con la freccia verso l'alto/il basso fino a quando il valore per la pressione dell'olio indica 215 bar, cioè lo stesso valore presente sul manometro della valvola di riduzione della pressione dell'olio.
6. Premere OK per eseguire la calibratura.
7. Premere il tasto con la freccia verso il basso per passare al prossimo menu parziale.

4.7 Calibrare il potenziometro

Questa funzione si usa per calibrare le posizioni zero delle manopole per il movimento in profondità e in lunghezza.

Per calibrare le posizioni zero:

1. Sfogliare il menu tramite i tasti con le frecce e premere OK quando compare la scritta "Calibrare il potenziometro".

Sul display compare: CALIBRARE 0 0. La cifra sinistra indica il movimento in profondità mentre la cifra destra indica il movimento in lunghezza.

Girando le manopole dalla posizione zero compaiono gli zeri e una serie di >>>. Il numero delle frecce dipende dalla distanza fra le manopole e le posizioni zero.

1. Togliere le manopole svitando la vite situata sul lato di ciascuna manopola. Usare una chiave a brugola.
2. Ruotare gli assi fino a quando il display mostra solo due zeri.
3. Rimontare le manopole.
4. Regolare la rondella in plastica.
5. Premere OK.
6. Premere la freccia verso il basso per passare a "Ritorno al menu".

5 Impostazioni Smartbox

Questo sottomenu contiene informazioni sul gruppo idraulico e sulle funzioni per l'impostazione di determinate unità e del codice PIN. Il sottomenu si compone di sei menu parziali:

1. Versione di Husqvarna Smartbox
2. Unità AM (americane)
3. ID radio
4. ID gruppo idr.
5. Codice PIN
6. Modifica del codice PIN

1. Versione di Husqvarna Smartbox. Sul display viene indicato il numero di versione del software, ad esempio 2.0.

- Premere il tasto con la freccia verso il basso per passare al prossimo menu parziale.

2. Unità AM. Sul display compare: UNITÀ AM e ON/OFF. Quando la funzione è attivata (ON) nel sistema di menu compaiono le unità americane.

- Premere il tasto con la freccia verso il basso per passare al prossimo menu parziale.

3. ID radio

Per ottenere il contatto radio fra il telecomando e il gruppo idraulico è necessario digitare un numero d'identificazione (ID). Per modificare il numero ID serve il collegamento del cavo CAN fra telecomando e gruppo idraulico.

- Premere OK quando sul display compare la scritta ID RADIO 0 0.

La cifra a sinistra indica "byte" alto e la cifra a destra "byte" basso.

- Selezionare, tramite i tasti con le frecce, "byte" alto e premere OK.
- Selezionare, tramite i tasti con le frecce, "byte" basso e premere OK.
- Premere il tasto con la freccia verso il basso per passare al prossimo menu parziale.

Nelle impostazioni di fabbrica, il numero ID corrisponde al numero della macchina. Sostituendo o riprogrammando il telecomando o il gruppo idraulico è necessario indicare il numero ID. Indicare un nuovo numero ID per il gruppo idraulico.

4. ID gruppo idr.

Sul display compare il numero d'identificazione del gruppo idraulico. Il numero d'identificazione deve essere superiore a 0.

- Premere il tasto con la freccia verso il basso per

passare al prossimo menu parziale.

5.5 Codice PIN

Quando la funzione è attiva viene richiesto un codice PIN a 4 cifre ogni volta che si accende il telecomando. La prima volta il codice è 0000. Se viene indicato un codice PIN errato per 4 volte di seguito il gruppo idraulico si blocca. In questo caso sarà necessario digitare un codice PUK (fornito dalla Husqvarna) per sbloccare il gruppo idraulico.

Sul display compare: Codice PIN e ON/OFF.

Per attivare o disattivare:

- Premere OK per commutare fra ON e OFF.
- Premere il tasto con la freccia verso il basso per passare al prossimo menu parziale.

5.6 Modificare il codice PIN

- Premere OK quando sul display compare: MODIFICARE IL CODICE PIN.
- Inserire l'attuale codice PIN e premere OK.
- Alla prima modifica il codice è 0000.
- Inserire il nuovo codice PIN e premere OK.
- Inserire nuovamente il nuovo codice PIN per confermarlo e premere OK.
- Premere la freccia verso il basso per passare a "Ritorno al menu".

6. Registrazione base

Questa funzione riporta tutte le impostazioni del menu alle impostazioni di fabbrica. Anche il codice PIN viene resettato.

Sul display compare: IMPOSTAZIONE DI BASE e ON/OFF. OFF compare quando è stata eseguita qualche operazione che modifica le impostazioni di base.

7 Esci dalle impostazioni

Questa funzione conferma o annulla tutte le impostazioni eseguite prima che il menu di esercizio ricompaia.

- Premere OK quando sul display compare la scritta: ESCI DALLE IMPOSTAZIONI.
- Sul display compare: SALVARE? NO. Per non salvare le impostazioni:
- Premere OK.
- Per salvare le impostazioni:
- Premere il tasto con la freccia verso l'alto/verso il basso per selezionare SÌ.
- Premere OK.

Messaggi di guasto

Sul display possono comparire dieci diverse segnalazioni di guasto:

- NB - BASSA TENSIONE (1A) CONTROLLARE L'ALIMENTAZIONE DI TENSIONE E IL CAVO DEL GRUPPO IDRAULICO
- BASSA TENSIONE FASE X (1B) BASSA POTENZA 32 A
- PROTEZIONE MOTORE SALTATA (2)
- SURRISCALDAMENTO DEL MOTORE (3) RAFFREDDAMENTO IN CORSO. NON SPEGNERE IL MOTORE ELETTRICO
- TEMP. OLIO ALTA (4) CONTROLLARE L'ACQUA DEL GRUPPO IDRAULICO
- TRASMETTITORE PRESSIONE GUASTO (5)
- PRESSIONE IDR. ELEVATA (6) CONTR. GRUPPO
- MANCA IL CONTATTO CONTROLLARE IL CAVO CAN (7)
- MANCA IL CONTATTO RADIO (8)

Messaggio di guasto (1A)



NB -

Bassa tensione. Controllare l'alimentazione di tensione e il cavo del gruppo idraulico.

Tensione troppo bassa. Causa:

- Cavo di collegamento lungo.
- Dimensioni limitate (sezione) dei conduttori del cavo elettrico.

Mancano una o più fasi. Causa:

- È saltato un fusibile nella centralina elettrica.
- Interruzione nel cavo elettrico.
- Manca tensione in una o più fasi nella centralina elettrica.

Provvedimento (1A)

Premere OK per registrare il messaggio di guasto. Il gruppo idraulico adeguerà quindi il consumo massimo di potenza a 32 A.

Messaggio di guasto (1B)

“Bassa tensione Fase x bassa potenza 32 A”, in cui x sta per fase 1, 2 o 3.

Provvedimento (1B)

Premere OK per registrare il messaggio di guasto. Il display indica che il massimo consumo di potenza è impostato su 32 A. Se la tensione è ancora bassa, il motore elettrico si spegne e compare un messaggio di guasto concernente la bassa tensione.

Premendo OK, il gruppo idraulico ritorna alla massima potenza selezionata all'avvio. Per commutare fra 63 A e 32 A, è necessario spegnere e poi riaccendere il gruppo idraulico.

Leggere la tensione di alimentazione nel menu di esercizio “Fase 1, Fase 2, Fase 3”. Se la tensione, prima di avviare il motore, è:

Inferiore a 360V; controllare che non ci sia un'interruzione in uno dei conduttori del cavo e che ci sia tensione fino alla centralina elettrica.

Superiore a 360V; controllare la lunghezza del cavo e le dimensioni dei conduttori.

Messaggio di guasto (2)

“Protezione del motore saltata”

Causa (2)

Il motore elettrico ha subito un sovraccarico oppure manca qualche fase. Per questo è saltato il dispositivo di protezione che ha appunto la funzione di proteggere il motore elettrico.

Provvedimento (2)

Premere OK per registrare il messaggio di guasto. Controllare che ci sia tensione per il gruppo idraulico in tutte e tre le fasi.

Leggere la tensione di alimentazione nel menu di esercizio “Fase 1, Fase 2, Fase 3”.

Se manca tensione in una fase: Controllare il cavo elettrico e la tensione della centralina elettrica. La protezione del motore riparte automaticamente entro tre minuti.

Se la tensione di tutte le fasi è superiore a 360V: Attendere che la protezione del motore riparta. Rimettere poi in funzione il gruppo idraulico.

Se la protezione del motore salta spesso si consiglia di contattare il personale per l'assistenza.

Messaggio di guasto (3)

“Surriscaldamento del motore. Raffreddamento in corso. Non spegnere il motore elettrico!”

**ATTENZIONE**

Non spegnere il motore, potrebbe danneggiarsi. Una volta raffreddato, il motore si spegne automaticamente.

Causa (3)

La temperatura del motore è troppo elevata.

Provvedimento (3)

Premere OK per registrare il messaggio di guasto.

Se è comunque necessario spegnere il motore, registrare prima il messaggio di guasto premendo OK.

Sul display compare: RAFFREDDAMENTO. Le valvole idrauliche della lama e del movimento si spegneranno. I movimenti possono tuttavia venir riattivati.

Una volta che la temperatura del motore sarà scesa al di sotto del livello limite, sul display comparirà la scritta: MOTORE RAFFREDDATO. Premere OK.

Se il motore si surriscalda spesso si consiglia di contattare il personale per l'assistenza.

Messaggio di guasto (4)

“Temp. olio elevata. Controllare l'acqua del gruppo idraulico”

Causa (4)

Il raffreddamento dell'olio idraulico è difettoso.

Provvedimento (4)

Quando compare il messaggio di guasto il motore elettrico si spegne. Premere OK per registrare il messaggio di guasto. Controllare che l'acqua di raffreddamento sia collegata al gruppo idraulico e che l'acqua arrivi alla lama quando si gira la manopola per la rotazione della lama.

Messaggio di guasto (5)

“Trasmettitore di pressione guasto”

Causa (5)

Il trasmettitore di pressione per l'alimentazione della pressione idraulica per la rotazione della lama non funziona.

Provvedimento (5)

Premere OK per registrare il messaggio di guasto. Se il messaggio di guasto compare di frequente, sostituire il trasmettitore di pressione.

Messaggio di guasto (6)

“Elevata pressione idraulica. Controll. gruppo idr.”

Causa (6)

La lama si è incastrata e questo provoca un'elevata pressione idraulica.

Provvedimento (6)

Premere OK per registrare il messaggio di guasto. Se il messaggio di guasto compare di frequente, si consiglia di contattare il personale per l'assistenza.

Messaggio di guasto (7)

“Nessun contatto. Controllare il cavo CAN”

Causa (7)

Il cavo CAN o il suo connettore sono danneggiati, il che impedisce al gruppo idraulico di rispondere ai segnali del telecomando.

Provvedimento (7)

Premere OK per registrare il messaggio di guasto. Controllare il cavo e il connettore e sostituire i pezzi danneggiati. Contattare il personale per l'assistenza se il problema rimane.

Messaggio di guasto (8) - vale per i gruppi idraulici dotati di sistema radio

“Nessun contatto radio”

Causa (8)

Il contatto radio fra il gruppo idraulico e il telecomando non funziona.

Provvedimento (8)

Per risolvere il problema possono essere necessari più provvedimenti:

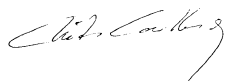
- Accertarsi (tramite il menu di esercizio - impostazioni - ID radio) che il numero di identificazione sia superiore a 0.
- Accertarsi che il gruppo idraulico sia in funzione.
- Avvicinarsi al gruppo idraulico per evitare una distanza eccessiva o muri armati.

Riattivare il telecomando. Contattare il personale per l'assistenza se il problema rimane.

Dichiarazione di conformità CE

La Husqvarna Construction Products Sweden AB, Box 2098, SE-550 02 Jönköping, Svezia, tel. +46 36 5706000, dichiara con la presente che il gruppo idraulico RC 455, con numeri di serie a partire da 01001, è fabbricato conformemente alla direttiva macchine 98/37/CE, alla direttiva sulla bassa tensione 73/23/CEE, alla direttiva sulla compatibilità elettromagnetica 89/336/CEE e successive modifiche e integrazioni. Inoltre sono state osservate le seguenti norme: EN 55014-1, EN 55014-2, EN 61000-3-2, EN 50144-1, EN 13862.

Jönköping 01/01/2005



Christer Carlberg
Amministratore delegato

Nederlands

Inhoudsopgave

Verklaring van de symbolen	77
Veiligheidsinstructies	78
Inleiding	80
Wat is wat	81
Technische gegevens	83
Montage/installatie van apparatuur	84
Werkwijze wandzagen	85
Zaagbladrotatie starten.....	85
Nadat het werk gereed is.....	85
Werkwijze bij kabelzagen	86
Menufuncties	87
Startmenu	87
Gebruiksmenu	87
Batterij opladen.....	89
Instellingen	90
Foutmeldingen.....	94
EU-verklaring	97

Verklaring van de symbolen

Onderstaande symbolen komen voor op de machine en in het handboek voor de machine. Om op een veilige manier met de machine te kunnen werken is het belangrijk dat de gebruiker hun betekenis begrijpt.

Boek

Neem de gebruiksaanwijzing grondig door en start de machine niet voor u alles hebt begrepen.



Beschermingsuitrusting

Draag altijd:

- Goedgekeurde veiligheidshelm.
- Goedgekeurde gehoorbescherming.
- Goedgekeurde veiligheidsbril of vizier, en andere noodzakelijke beschermingsuitrusting.



Waarschuwing

Een grotere waarschuwingsdriehoek met daarop "Waarschuwing" betekent dat het risico bestaat van ernstig persoonlijk letsel of zelfs overlijden.



Opgelet

Een kleinere waarschuwingsdriehoek met daarop "Opgelet" betekent dat het risico bestaat van minder ernstig persoonlijk letsel of beschadigingen aan de machine.



Opmerking

Een hand met uitgestoken wijsvinger en daarbij "Opmerking" betekent dat een beschreven moment extra aandacht vereist.



CE

Dit symbool geeft aan dat de machine overeenstemt met geldende EG-richtlijnen.



ELEKTRICITEITS-waarschuwing

Dit symbool waarschuwt voor de aanwezigheid van hoge spanning.



Milieumarkering

Het symbool op het product of de verpakking geeft aan dat dit product niet gehanteerd kan worden als huishoudelijk afval. Het moet in plaats daarvan ingeleverd worden bij een geschikt recyclestation voor de recycling van elektrische en elektronische apparatuur.

Door ervoor te zorgen dat dit product goed wordt verwerkt, kunt u meehelpen aan het voorkomen van potentiële negatieve effecten voor milieu en mensen, die anders veroorzaakt kunnen worden door een niet juiste afvalverwerking van dit product.

Voor meer gedetailleerde informatie over recycling van dit product, kunt u contact opnemen met uw gemeente, uw vuilophaalcentrale of de winkel waar u het product gekocht hebt.



Veiligheidsinstructies

Bij de constructie en productie van Husqvarna producten hebben we veel aandacht geschonken aan het feit dat ze, naast efficiënt en eenvoudig te hanteren, ook veilig moeten zijn. Opdat de machine veilig blijft, moeten onderstaande zaken in acht worden genomen:



WAARSCHUWING!

Deze machine is alleen bedoeld voor gebruik in combinatie met Husqvarna WS 355, 463, 462, 460 of DIMAS CS2512. Al het overige gebruik is niet toegestaan.



OPGELET

De machine mag absoluut niet worden gestart zonder dat de veiligheidsvoorschriften worden gevolgd. Indien de gebruiker dit niet doet, draagt Husqvarna Construction Products Sweden AB of diens vertegenwoordiging geen enkele aansprakelijkheid, direct of indirect. Lees deze gebruiksaanwijzing door en zorg ervoor dat u de inhoud begrijpt voor u de machine gaat gebruiken. Wanneer u, nadat u deze veiligheidsinstructies hebt gelezen, nog niet zeker bent over de veiligheidsrisico's die er zijn, dient u de machine niet te gebruiken. **Neem contact op met uw dealer wanneer u meer informatie nodig hebt.**

- Controleer of alle koppelingen, aansluitingen en hydraulische slangen heel zijn.
- Alle operators moeten worden opgeleid in het gebruik van de machine. De eigenaar is ervoor verantwoordelijk dat de operators een opleiding krijgen.
- Zorg ervoor dat alle slangen en elektriciteitsleidingen op de juiste manier op de machine zijn aangesloten voor u de machine start.
- Mensen en dieren kunnen u afleiden waardoor u de controle over de machines verliest. Wees daarom geconcentreerd en op uw taak gericht.
- Laat de machine nooit zonder toezicht achter met draaiende motor.
- Let erop dat kleding, haar en sieraden in de beweegbare delen vast kunnen raken.

- Toeschouwers kunnen gewond raken. Start de machine daarom nooit zonder zeker te zijn dat er geen mensen of dieren binnen het werkgebied aanwezig zijn. Beveilig het werkgebied indien nodig met versperringen.
- Koppel de hydraulische slangen nooit los zonder dat u eerst het aggregaat hebt uitgezet en de motor helemaal is gestopt.
- Mocht ondanks alles toch een noodsituatie ontstaan, drukt u op de rode noodstopknop aan de zijkant van de afstandsbediening of de groene start-/stopknop op de afstandsbediening.
- Gebruik geschikte persoonlijke beschermingsmiddelen zoals helm, beschermingsschoenen, oog- en gehoorbescherming. Een gehoorbescherming dient altijd te worden gebruikt omdat het geluidsniveau meer is dan 85 dB(A).
- Vlaktbij elektrische leidingen werken:
Bij gebruik van hydraulisch gereedschap in de nabijheid elektrische leidingen moeten hydraulische slangen worden gebruikt, die gemerkt en goedgekeurd zijn als "niet elektrisch geleidend". Gebruik van andere slangen kan leiden tot ernstig persoonlijk letsel of overlijden.
Bij vervangen van de slangen moeten slangen, gemerkt "niet elektrisch geleidend", worden gebruikt. De slangen moeten regelmatig volgens speciale instructies worden gecontroleerd op elektrische geleidingsisolatie.
- Vlaktbij gasleidingen werken:
Controleer altijd of er gasleidingen lopen en markeer ze. Vlaktbij gasleidingen werken vormt altijd een gevaar. Zorg ervoor dat geen vonkvorming optreedt, omdat een zeker risico van explosie bestaat. Wees geconcentreerd en op uw taak gericht. Onvoorzichtigheid kan leiden tot ernstig persoonlijk letsel of dodelijke ongevallen.
- Markeer alle verborgen leidingen, zoals waterleidingen en gasleidingen.
- Controleer of de elektrische kabel en de canbus kabel niet beschadigd zijn of tijdens het werk beschadigd kunnen raken.
- Controleer gereedschap, slangen en aansluitingen dagelijks op lekkage. Een lek of knappen van de slang kan leiden tot een "olie-injectie" in het lichaam of ander ernstig persoonlijk letsel.
- Overschrijd de aangegeven werkdruk voor het actuele gereedschap of hydraulische slang niet. Een verhoogde druk kan lekkage of het knappen van de slang veroorzaken.

- Zoek niet met uw hand naar lekkage. Contact met een lek kan tot ernstig letsel leiden, veroorzaakt door de hoge druk in het hydraulisch systeem.
 - Het gereedschap mag niet worden gedragen of aan de slangen worden opgetild.
 - Verwaarloos de verzorging van de slangen niet.
 - Gebruik geen slangen die gedraaid, versleten of beschadigd zijn.
 - Controleer of de slangen op de juiste manier op het gereedschap zijn aangesloten en of de hydraulische koppelingen naar behoren vastzitten, voor het hydraulisch systeem onder druk wordt gezet. De koppelingen worden vergrendeld door de buitenhuls van de vrouwtjeskoppeling zo te draaien dat de gleuf van de kogel af komt.

De drukslangen in het systeem moeten altijd worden aangesloten op de inlaat van het gereedschap. De retourslangen in het systeem moeten altijd worden aangesloten op de uitlaat van het gereedschap. Het verwisselen van de aansluitingen kan ertoe leiden dat het gereedschap verkeerd om werkt, hetgeen tot letsel kan leiden.
 - Hou de hydraulische koppelingen schoon en vrij van vuil.
 - Zet de noodstopshakelaar van de afstandsbediening altijd aan voor u de apparatuur gaat verplaatsen.
 - Controleer of de hydraulische slangen niet zijn beschadigd of tijdens het zagen beschadigd kunnen raken. Eventuele lekkage kan leiden tot het risico van uitglijden.
 - Zorg er altijd voor dat er nog iemand aanwezig is wanneer u de machine gebruikt, zodat u om hulp kunt roepen mocht een ongeluk plaatsvinden.
 - Gebruik de machines niet als ze niet naar behoren functioneren.
 - Wijzig de veiligheidsmiddelen nooit. Controleer regelmatig of ze naar behoren functioneren. De machine mag niet worden gebruikt met defecte of niet gemonteerde beschermingen.
 - Bepalingen ter voorkoming van ongelukken, andere algemene beschermingsbepalingen en beroepsmedische richtlijnen moeten altijd worden gevolgd.
 - Zorg ervoor dat er altijd een EHBO-trommel bij de hand is wanneer u de machines gebruikt.
 - Hou alle delen in werkzame staat en zorg ervoor dat alle bevestigingen goed zijn vastgedraaid. Vervang alle versleten of beschadigde plaatjes.
- Bewaar de machines in een afgesloten ruimte, waar ze niet toegankelijk zijn voor kinderen en volwassenen die niet hebben geleerd hoe ze met de machines moeten omgaan.
 - Denk aan het brandgevaar bij vonkvorming en hitteontwikkeling. Indien geen lokale brandweerbepalingen bestaan voor zaag- of slijpmachines, moet u de bepalingen voor booglassen toepassen.

**WAARSCHUWING!**

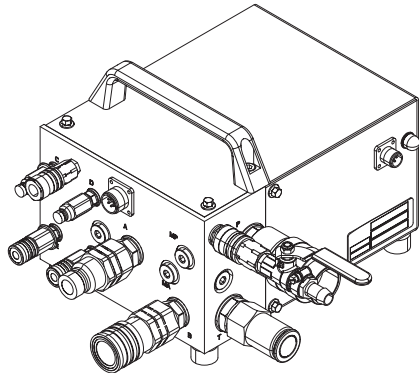
Gebruik altijd goedgekeurde beschermingskleding en goedgekeurde beschermingsuitrusting wanneer u de machine gebruikt. Beschermingskleding en beschermingsuitrusting kunnen het risico van ongelukken niet geheel uitsluiten, maar door het dragen van de juiste kleding en de juiste uitrusting kunt u wellicht de ernst van eventuele verwondingen reduceren, mocht een ongeluk plaatsvinden. Vraag uw dealer welke goedgekeurde beschermingskleding en welke goedgekeurde beschermingsuitrusting hij aanraadt.

Inleiding

Husqvarna RC 455 "Smartbox" is een kleine en compacte regelunit, die is gemaakt om te dienen als link tussen hydraulische aggregaten zonder regelkleppen, zoals een dieselaggregaat en Husqvarna WS 355, WS 462, WS 463 en CS 2512.

Omdat RC 455 is uitgerust met een prioriteitsklep kunnen dieselaggregaten, die een flow leveren, worden gebruikt om machines aan te sturen die worden aangedreven door een aantal verschillende flows, bijv. om het zaagblad en de invoer aan te drijven.

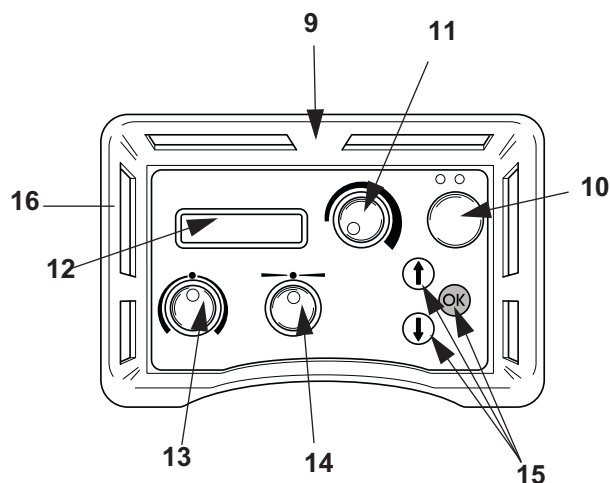
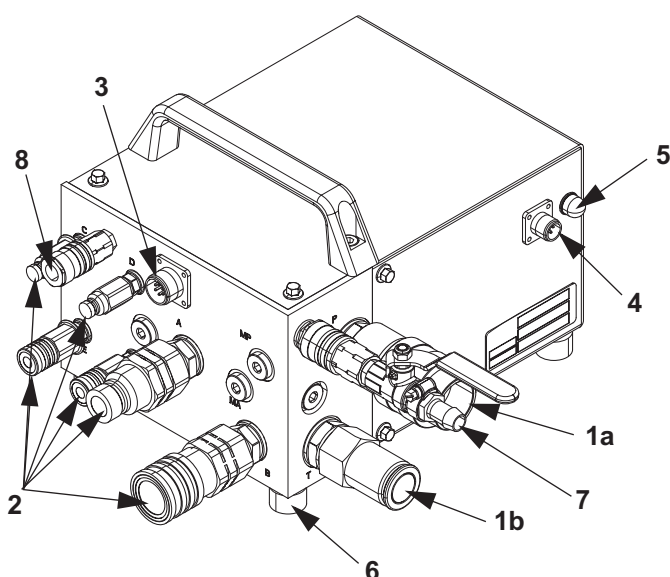
Door bovenstaande units aan te sluiten op RC 455 kunnen ze op dezelfde manier worden geregeld als wanneer ze aangesloten zouden zijn op een PP 455 E hydraulisch aggregaat.



RC 455 wordt met de volgende uitrusting geleverd:

- 1 st. RC 455
- 1 afstandsbediening
- 1 pakket slangen, 8 m
- 1 CAN-bus-kabel, 8 m
- 1 12 V DC aansluitkabel

Wat is wat



1. Ingaande hydraulische aansluitingen

Op deze Ω -duims koppelingen sluit u de slangen van het hydraulisch aggregaat aan. Dit is de toevoer naar de machine. De flow in de slang, die wordt aangesloten op de vrouwtjeskoppeling (1a), drijft het gereedschap aan, terwijl de flow door de mannetjeskoppeling (1b) de retourflow naar het hydraulisch aggregaat is.

2. Uitgaande hydraulische aansluitingen

Hier sluit u de meegeleverde hydraulische slangen op aan. Deze sluit u vervolgens aan op een geschikt hydraulisch gereedschap.

De grote koppelingen sturen de aandrijving van het aangesloten gereedschap, terwijl de kleinere de invoer regelen. De flow in de slangen met de vrouwtjeskoppeling regelt de langsbeweging, terwijl die met de mannetjeskoppeling de invoer regelt.

3. Aansluiting CAN-bus kabel

Hier sluit u de CAN-bus kabel aan, die de stuursignalen tussen RC 455 en de afstandsbediening verzendt. De CAN-bus kabel is voorzien van een vergrendeling, zodat de kabel niet per ongeluk kan loskomen.

4. 12 volts DC aansluiting

Hier sluit u de stroom aan, die RC 455 aandrijft. De stroom haalt u van het hydraulisch aggregaat dat samen met RC 455 wordt gebruikt. De aansluiting is voorzien van een vergrendeling, zodat de kabel niet per ongeluk kan loskomen.

De 12 volts kabel wordt af fabriek geleverd met een zogenaamde "Pig tail". Deze wordt door de operator aangesloten op zijn hydraulisch aggregaat. Zie verder onder "Uitrusting monteren/installeren".

5. Automatische zekering

Wordt geactiveerd wanneer de inkomende 12 volts DC stroom te hoog wordt. Resetten door een keer in te drukken.

6. Pootjes

Beschermen de machine tegen trillingen en vuil.

7. Ingaande wateraansluiting

8. Uitgaande wateraansluiting

9. Afstandsbediening

De afstandsbediening gebruikt u om RC 455 te sturen. Voor het functioneren van de afstandsbediening, moet de ontsteking van het hydraulisch aggregaat aan zijn.

10. Flow aan/uit

Dit is de enige knop waarmee het hydraulisch aggregaat de hydraulische flow kan starten.

Door een keer op de knop te drukken gaat het hydraulisch aggregaat naar werktoeren en begint een flow te sturen. U stopt de flow door nog een keer op de startknop te drukken of te drukken op de noodstopknop aan de linkerkant van de afstandsbediening.

11.Zaagbladrotatie:

Hendel om de zaagbladrotatie/kabelaandrijving te starten. Om volledig vermogen bij het zaagblad te krijgen, moet u de knop naar de rechter eindstand draaien.

12.Display

Op het display ziet u informatie over noodzakelijke instellingen, servicenoodzaak en eventuele storingen.

Tijdens het werk geeft het display de tijdelijke hoofddruk voor de zaagbladrotatie (geen invoerdruk).

13.Invoer

Hendel voor de invoer van het zaagblad. Hiermee stuurt u de in- en uitvoer van het zaagblad of de kabelspanning bij het zagen met een diamantkabel.

14.Langsbeweging

Hendel voor de langsbeweging van de zaagunit. Hiermee stuurt u de richting en de snelheid. Wanneer de langsbeweging toeneemt, neemt ook de rotatiedruk van het zaagblad toe. Dit kunt u in het display lezen.

15.Keuzetoetsen

De pijltjestoetsen gebruikt u om:

- In menu's te bladeren
- De cijferwaarde te verhogen/verlagen.

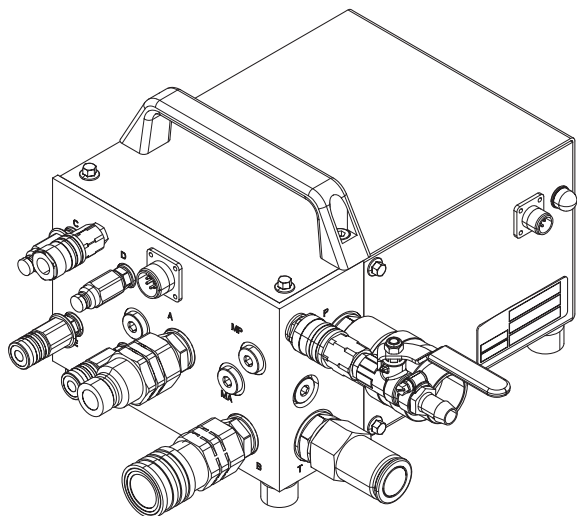
De bevestigingstoets "OK" wordt gebruikt om:

- Submenu's te openen.
- Waarden te bevestigen, die u met de toetsen hebt aangepast.
- Sensoren aan/uit te zetten.

16.Noodstop

Aan de zijkant van de afstandsbediening zit een noodstopshakelaar. Wanneer u de noodstopshakelaar indrukt, stopt het aangesloten gereedschap met werken en het hydraulisch aggregaat gaat terug naar stationair toerental.

Technische gegevens



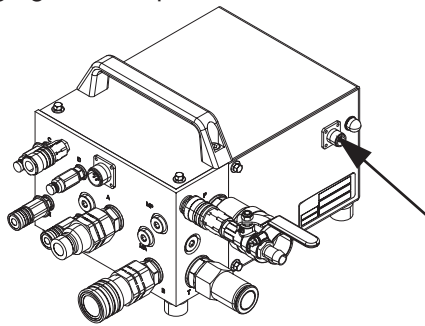
Max. flow	115 l/min (30 GPM)
Max. druk	230 bar (3340 psi)
Aanbev. hydraulische olieflow van hydraulisch aggregaat:	
WS 463	80 l/min (21 GPM)
WS 462	70 l/min (18,5 GPM)
CS2512	80 l/min (21 GPM)
Gewicht	19,6 kg (43,3 lbs)
Elektrische aansluiting	12 V DC
Pakket slangen	8m

Montage/installatie van apparatuur

Wanneer RC 455 wordt geleverd, zit er alleen een 12 V DC contact op de stroomkabel. Voor een functionerende machine moet het uiteinde van de kabel dat geen contact heeft, worden aangesloten op de uitgaande stroomkabel van het hydraulisch aggregaat.

Wanneer de machine naar een geschikte plaats is vervoerd en het hydraulisch gereedschap, dat moet worden gebruikt, is correct aangebracht, moet de machine worden aangesloten.

1. Draai de ontsteking van het dieselaggregaat om, zonder de dieselmotor te starten.
2. Sluit de ingaande elektriciteitskabel van het dieselaggregaat aan op RC 455.

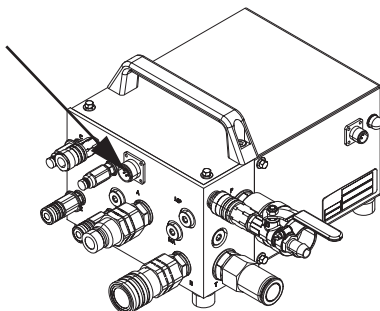


WAARSCHUWING!

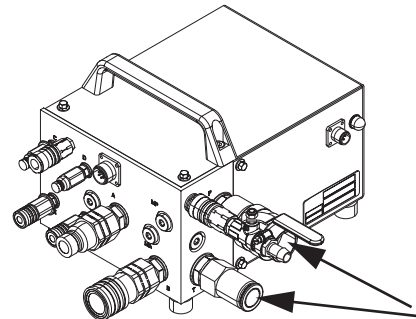
RC 455 mag alleen worden aangesloten op 12 V DC spanning. Als de machine wordt aangesloten op hogere spanning kunnen zowel de apparatuur als de operator ernstig beschadigd/gewond raken.

3. Sluit de afstandsbediening aan met de meegeleverde CAN-bus kabel. Schroef het kabelcontact met de hand vast.

Als de machine is uitgerust met een radio kan in plaats van de CAN-buskabel ook een radio-antenne worden aangesloten. Deze wordt dan op dezelfde plaats geschroefd als waar de CAN-bus kabel zou hebben gezeten.



4. Controleer dat de noodstop op de afstandsbediening niet is geactiveerd. In het display van de afstandsbediening verschijnt nu "SMARTBOX SLUIT PAKKET SLANGEN AAN".
5. Sluit de ingaande hydraulische slangen van het dieselaggregaat aan op RC 455.



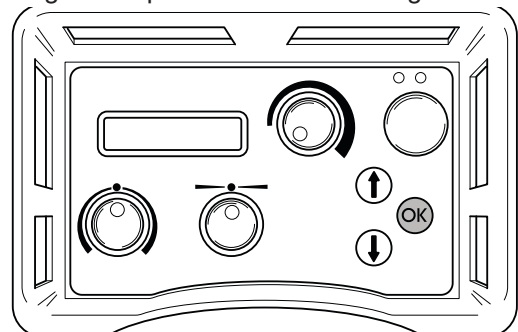
6. Indien CS2512 moet worden gebruikt, sluit u de vrouwjeskoppelingen van het drukreductieblok aan op de mannetjeskoppelingen op RC 455.
7. Sluit de hydraulische slangen van RC 455 aan. Er zijn twee soorten hydraulische slangen tussen RC 455 en het gekozen gereedschap (WS 462, 463 of CS 2512):

Op een wandzaag uit de WS 400 serie regelen de vier dünnere slangen de toevoermotoren van de zaag, d.w.z. de in- en uitvoer én de langsbeving van de zaag. De twee dikkere slangen drijven het zaagblad aan.

Indien een kabelzaag CS 2512 wordt aangesloten op het aggregaat regelen twee van de dünnere slangen de spanning van de magazijnarmen, terwijl de twee dikkere de kabel aandrijven.

De slangen in het pakket slangen, die zijn gemerkt met rode ringen bij de koppelingen, moet worden aangesloten op de koppelingen, die gemerkt zijn met soortgelijke ringen.

8. Wanneer alle hydraulische slangen zijn aangesloten, bevestigt u dit op de afstandsbediening met "OK".



9. Start de motor van het dieselaggregaat en laat deze stationair lopen.
10. In het display moet nu verschijnen "SMARTBOX START MOTOR". Als dit niet in het display staat, moet u de instructies volgen die in het display verschijnen.
11. Controleer of alle apparatuur klaar is om gebruikt te worden.

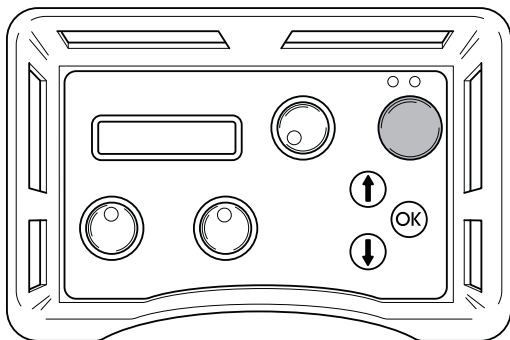
Werkwijze wandzagen

Zaagbladrotatie starten

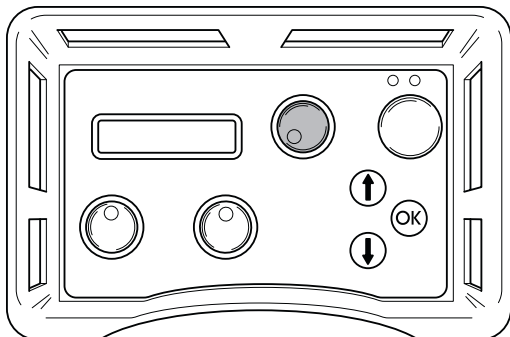
1. Start de motor van het hydraulisch aggregaat door een keer op de groene knop van de afstandsbediening te drukken.

Wanneer de motor start, gaat het dieselaggregaat van stationair naar arbeidstoeren en begint een flow te verzenden.

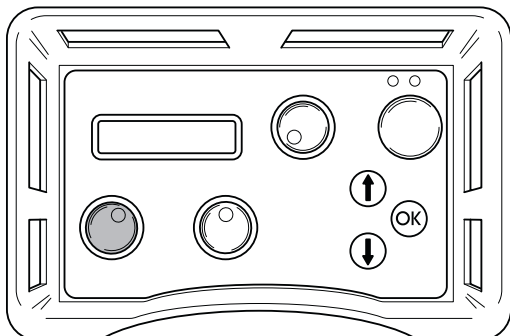
Om de motor te stoppen, drukt u nog een keer op de groene knop op de afstandsbediening.



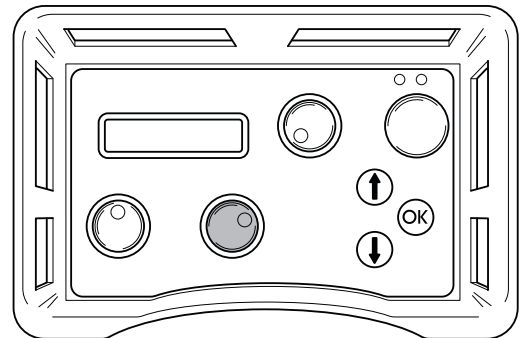
1. Draai de knop voor de zaagbladrotatie naar de max. stand om de zaagbladrotatie en het koelwater te starten.



2. Start de invoer door de invoerknop op de afstandsbediening te draaien.

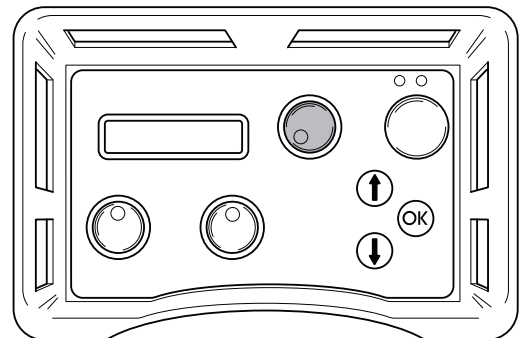


3. Start de langs beweging door de knop voor de langs beweging in de gewenste richting te draaien.

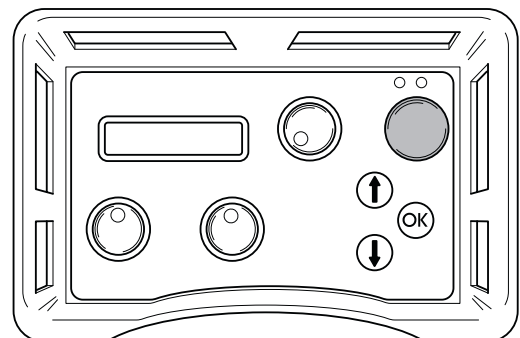


Nadat het werk gereed is

1. Nadat het werk gereed is, zet u de zaagbladrotatie uit door de knop op de afstandsbediening terug te draaien naar "0".



2. Laat de motor naar stationair gaan door te drukken op de groene knop van de afstandsbediening.



OPGELET

Maak altijd de complete apparatuur schoon aan het einde van de werkdag.

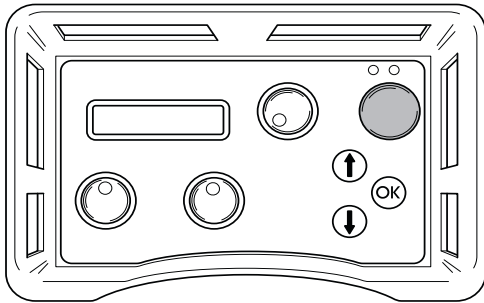
Werkwijze bij kabelzagen

Wanneer alle apparatuur is gemonteerd, kan het zagen beginnen. Om de zaag zo efficiënt mogelijk te laten zagen, moet deze op de volgende manier worden gestart:

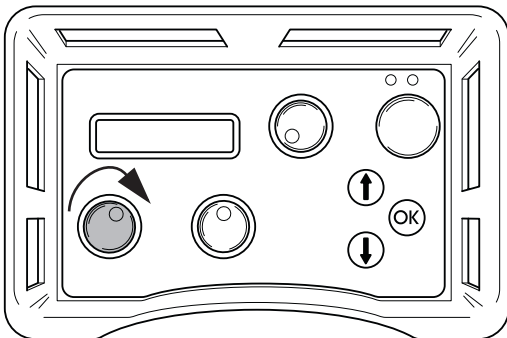
1. Monteer het drukreductieblok, dat met de kabelzaag wordt meegeleverd, op het hydraulisch aggregaat volgens de aanwijzingen op het blok.
2. Sluit twee van de dunnere hydraulische slangen aan op het drukreductieblok. De slang uit het slangenpakket, die is gemerkt met een rode ring bij de koppeling, moeten worden aangesloten op de slang op het drukreductieblok die ook een ring heeft.
3. Sluit de klep op het drukreductieblok door de knop tegen de klok in te draaien tot deze niet verder kan en vervolgens twee slagen terug.
4. Start de arbeidstoeren van de motor door een keer op de groene knop van de afstandsbediening te drukken.

De motor van het dieselaggregaat gaat nu van stationair naar arbeidstoeren en begint een flow te verzenden.

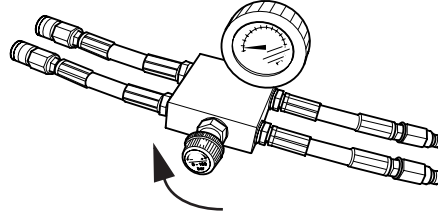
Om de flow te stoppen en de motor van het hydraulisch aggregaat weer terug naar stationair te krijgen, drukt u nog een keer op de groene knop van de afstandsbediening.



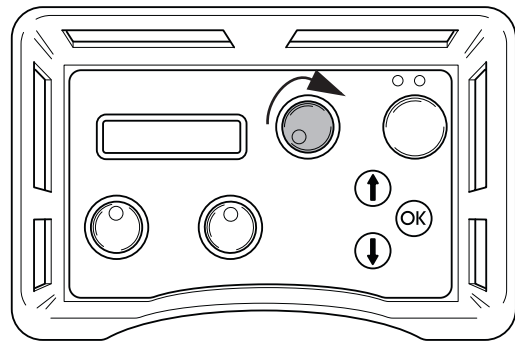
5. Zet de stroom voor de invoer op het aggregaat op maximaal door de hendel op de afstandsbediening met de klok mee te draaien.



6. Span de kabel door de knop op het drukreductieblok voorzichtig met de klok mee te draaien tot de kabel voldoende strak staat. Blijf zorgvuldig controleren dat de kabel goed langs alle wielen door de zaag loopt.

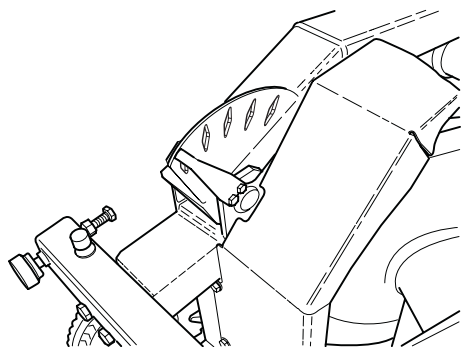


7. Start de rotatie van de motor door de hendel voor motorrotatie op de afstandsbediening met de klok mee te draaien.



8. Verhoog voorzichtig het toerental van de motor door de knop voor motorrotatie om te draaien. Een geschikte werkdruk voor zagen is normaal tussen 100 en 130 bar, maar varieert afhankelijk van bijvoorbeeld het aantal wielparen dat in het magazijn wordt gebruikt, de hoeveelheid kabel die ingrijpt en de hardheid van het materiaal dat wordt gezaagd.
9. Bij het wegzagen kan de werkdruk dalen, wat te zien is in het display, en het magazijn moet worden opgespannen. Dit doet u door de knop op het drukreductieblok met de klok mee te draaien.

10. De spanning uit het magazijn wordt aangegeven door een wijzer op de machine (op de afbeelding in minstand). Wanneer de magazijn cilinder helemaal is opgespannen, moet u de machine stoppen en de kabel rond een nieuw wiel paar leggen. Ga vervolgens verder met zagen zoals hierboven beschreven.



OPGELET

Maak altijd de complete apparatuur schoon aan het einde van de werkdag.

Menufuncties

De menu's, die in het display verschijnen, zijn gegroepeerd in menu's, submenu's ("Instellingen") en deelmenu's. De menu's zijn verdeeld in twee delen:

- Startmenu: Hier kies je onder welke voorwaarden het hydraulisch aggregaat moet werken.
- Gebruiksmenu: Hier verschijnt informatie over de bedrijfsstatus.

Startmenu

Het startmenu verschijnt iedere keer dat de spanning naar het hydraulisch aggregaat wordt aangezet. In het display verschijnt:

SMARTBOX Sluit slangenpakket aan

- Druk op OK wanneer alle slangen zijn aangesloten. Daarna verschijnt stap 2.

Gebruiksmenu

Het gebruiksmenu verschijnt nadat de slangen zijn aangesloten en de operator ter bevestiging op "OK" heeft gedrukt. Via dit menu bereikt u alle informatie over de werking en alle instellingsmogelijkheden.

Het gebruiksmenu bestaat uit zeven menu's:

1. 1a. Husqvarna PP-455, 1b Status
2. Instellingen
3. Tijdopname
4. Totale machinetijd
5. Batterijstatus (alleen machines met radio)
6. Radiokanaal (alleen machines met radio)

1.a Husqvarna SMARTBOX, Start motor

Druk op de groene knop op de afstandsbediening om de motor te starten.

1b. Status

Status is de hoofdinformatie, die altijd in het display verschijnt wanneer het hydraulisch aggregaat met aangesloten machine in werking is:

- STATUS OK, betekent dat het aggregaat in bedrijf is en er geen waarschuwingen zijn.
- yyy BAR, waarbij yyy voor de tijdelijke werkdruk staat.
- Als de tijdopname aan is, verschijnt ook: mm:ss, d.w.z. tijd in minuten en seconden.

**OPGELET**

Lange elektrische kabels met een kleine diameter van de draden, kunnen leiden tot spanningsval. Ook lange hydraulische slangen kunnen worden getroffen door drukval.

4. Instellingen

Via dit submenu kunnen een aantal waarden worden gewijzigd om de eigenschappen van het hydraulisch aggregaat te beïnvloeden.

Om het submenu te bereiken: Geef de viercijferige PIN-code 0012 weer met behulp van de pijltjestoetsen en de OK-knop.

Om de instellingen op te slaan, kiest u "Opslaan" in deelmenu 3 "UIT INSTELLINGEN".

Voor volledige informatie over de instellingsmogelijkheden, zie hoofdstuk "INSTELLINGEN".

5. Tijdopname

Deze functie wordt gebruikt om te meten hoe lang een bepaalde taak duurt. De tijdopname gaat rekenen vanaf het moment dat de zaag begint met werken. Selecteer:

- AAN, om te activeren.
- UIT, om uit te zetten.
- RESET TIJDOPNAME, om te resetten.

Afsluiten door op OK te drukken. De hoofdinformatie "Status" verschijnt dan in het display.

Als u hebt gekozen voor tijdopname AAN (en als het hydraulisch aggregaat in werking is, zie 1.b), verschijnt ook 00.00 in de rechter onderhoek op het display. Druk op pijl omlaag om verder te gaan in het gebruiksmenu.

Hier wordt de totale tijd weergegeven dat het hydraulisch aggregaat in bedrijf was. De tijd wordt weergegeven in uren en minuten (hhhh:mm).

7. Batterijstatus (alleen machines met radio)

Deze functie controleert de batterij van de afstandsbediening. Verschillende berichten verschijnen in het display, afhankelijk van wat op dat moment in de batterij gebeurt:

- 0% BATTERI 100%

Wanneer de afstandsbediening aangesloten is en de batterij wordt geladen, verschijnt een liggende balk onder de schaal 0%-100%. De lengte van de balk ten opzichte van de schaal geeft weer hoeveel de batterij nog opgeladen is.

- LAADT BATTERIJ

Verschijnt wanneer de afstandsbediening is aangesloten en de batterij wordt geladen. De oplaadtijd van 0% tot 100% is circa 9 uur.

- BATTERIJ VOL

Verschijnt wanneer de batterij voor 100% is opgeladen.

- BATTERIJ LOSGEKOPPELD

Verschijnt wanneer de batterij van de afstandsbediening is losgekoppeld. Dit bericht verschijnt ook wanneer de oplaadunit in de afstandsbediening beschadigd is.

Batterij opladen



OPGELET!

Dit hoofdstuk is alleen bedoeld voor machines met radio.

De afstandsbediening is voorzien van een 7,2 Volts batterij. De noodstop in de afstandsbediening moet tijdens het laden altijd uitgetrokken zijn.

De batterij kan op de volgende manieren worden opgeladen:

Met de CAN-bus kabel (Art. nr. 531 11 50-12)

Met een oplaadkabel op de 12 Volts uitgang in de auto (Art. nr. 531 14 20-92)

Met een oplaadkabel op de batterijlader (Art. Nr. 531 11 72-54)

Met de CAN-bus-kabel

Sluit de CAN-bus kabel aan tussen de afstandsbediening en het aggregaat. Controleer of niet een van de noodstoppen ingedrukt is en of er stroom in het aggregaat aanwezig is.

Het display geeft "LAADT BATTERIJ" weer.

Het aggregaat kan tijdens het laden worden gebruikt.

Het laden duurt ca. 10 h.

Met de oplaadkabel

Sluit de oplaadkabel aan tussen de afstandsbediening en de 12 Volts uitgang in de auto. Controleer of de noodstop op de afstandsbediening niet is ingedrukt. Op het display verschijnt LAADT BATTERIJ wanneer er wordt opgeladen.

De oplaadtijd is ca. 6 h.

N.B.! ALLEEN 12 V

Opladen met de batterijlader

Sluit de oplaadkabel aan tussen de afstandsbediening en de batterijlader. Sluit de batterijlader vervolgens aan op een stopcontact. Controleer of de noodstop op de afstandsbediening niet is ingedrukt. Op het display verschijnt LAADT BATTERIJ wanneer er wordt opgeladen.

De oplaadtijd is ca. 6 h.

8. Radiokanaal

Wanneer de afstandsbediening alleen met batterij wordt gebruikt, moet u eerst een radioantenne aansluiten op de smartbox:

Verwijder een evt. kabelaansluiting.

Druk de aansluiting van de antenne op het contact op de smartbox. Zorg ervoor dat de gleuf in de aansluiting van de antenne goed in het contact belandt.

Schroef de ring van de aansluiting op het contact.

Wanneer de antenne is aangesloten moet een radiokanaal worden gekozen. Selecteer:

0, 1 of 2

Bevestig de keuze door op OK te drukken en vervolgens pijl omlaag. De hoofdinformatie "Status" verschijnt dan in het display. Druk weer op pijl omlaag om verder te gaan in het gebruiksmenu.

Instellingen

Via dit submenu bereikt u alle instellingsmogelijkheden voor het hydraulisch aggregaat en de afstandsbediening.

Om bij de instellingen van het submenu te komen, moet u een viercijferige code ingeven. Deze code is 0012.

De code wordt weergegeven met een cijfer tegelijk, van links naar rechts. Met de pijltjestoetsen bladert u van 0-9 en met de OK-knop bevestigt u.

Het menu "INSTELLINGEN" bestaat uit zeven submenu's, die op hun beurt weer een aantal deelmenu's hebben.

1. Select language
2. Stel hydraulische klep af voor zaagblad
3. Stel hydraulische klep af voor invoer
4. Sensoren aan/uit kalibreren
5. Instellingen hydraulisch aggregaat
6. Basisinstelling
7. Uit instellingen

De getallen verwijzen naar de volgende koppen.

1. Select language

Via dit submenu kunt u de taal instellen die u in het display wilt zien.

Het submenu geeft altijd een kop in het Engels. De gekozen taal staat onder de kop.

Om een taal te kiezen:

- Blader met de pijltjestoetsen tot de gewenste taal verschijnt.
- Druk op OK.
- Druk op pijl omlaag om naar het volgende submenu te gaan.

2. Stel hydraulische klep af voor zaagblad

Dit submenu bevat de instellingsmogelijkheden voor de rotatie van het zaagblad en bestaat uit drie deelmenu's:

Wijzig startpunt zaagblad

Wijzig eindpunt zaagblad

Wijzig reactietijd zaagblad

2.1. Wijzig startpunt zaagblad

De startpuntwaarde moet zo afgesteld worden dat de zaagbladrotatie zo laag mogelijk is, wanneer u de knop voor zaagbladrotatie vanuit de linker stand draait.

Een te lage waarde maakt dat de knop moet worden gedraaid voor het zaagblad gaat roteren.

Een te hoge waarde maakt dat het zaagblad te snel begint te roteren, wanneer aan de knop wordt gedraaid.

2.2 Wijzig eindpunt zaagblad

De eindpuntwaarde moet zo afgesteld worden dat de zaagbladrotatie zo hoog mogelijk is, wanneer de knop voor zaagbladrotatie helemaal naar rechts is gedraaid.

Een te lage waarde maakt dat het hydraulisch aggregaat niet op vol vermogen komt.

Geef de eindpuntwaarde aan:

- Druk op OK wanneer het deelmenu verschijnt.

In het display verschijnt: WIJZIG EINDPUNT en een percentage.

Blader met de pijltjestoetsen om het gewenste eindpunt aan te geven. Hou de pijltjestoets ingedrukt om sneller te bladeren. De schaal is ingedeeld van 1-100%.

- Druk op OK.
- Druk op pijl omlaag om naar het volgende deelmenu te gaan.

2.3 Wijzig reactietijd zaagblad

De waarde voor de reactietijd geeft aan hoe snel de rotatiesnelheid van het zaagblad moet wijzigen, wanneer aan de knop voor zaagbladrotatie wordt gedraaid.

Een te lage waarde maakt dat het hydraulisch systeem van de zaagbladmotor niet langer onder controle is.

Geef de waarde voor de reactietijd aan:

- Druk op OK wanneer het deelmenu verschijnt.

In het display verschijnt: WIJZIG REACTIETIJD en tijd in seconden.

- Blader met de pijltjestoetsen om de gewenste reactietijd aan te geven. Hou de pijltjestoets ingedrukt om sneller te bladeren. De schaal is ingedeeld van 0,0 naar 9,9 seconden.

- Druk op OK.

- Druk op pijl omlaag om "Terug naar menu" te gaan.

Dit submenu bevat de instellingsmogelijkheden voor de invoer van het zaagblad in de lengte en diepte.

Het submenu bestaat uit vijf deelmenu's:

3.1 Wijzig startpunt voor langsbeweging

3.2 Wijzig eindpunt voor langsbeweging

3.3 Wijzig startpunt voor invoer

3.4 Wijzig eindpunt voor invoer

3.5 Wijzig reactietijd invoer

3.1 Wijzig startpunt voor langsbeweging

De startpuntwaarde moet zo afgesteld worden dat de langsbeweging zo klein mogelijk is wanneer de knop voor langsbeweging in nulstand staat, d.w.z. midden tussen linker en rechter eindstand.

Een te lage waarde maakt dat de knop verder van de nulstand moet worden gedraaid voor de langsbeweging begint.

Een te hoge waarde maakt dat de langsbeweging te groot is wanneer de knop vanaf de nulstad wordt gedraaid.



OPGELET!

Slijtage in de proportioneelklep en de hydraulische motor kan ertoe leiden dat de startpuntwaarde gewijzigd moet worden.

Geef de startpuntwaarde aan:

- Druk op OK wanneer het deulmenu verschijnt.

In het display verschijnt: WIJZIG STARTPUNT en een percentage.

- Blader met de pijltjestoetsen om het gewenste startpunt aan te geven. Hou de pijltjestoetsen ingedrukt om sneller te bladeren. De schaal is ingedeeld van 1-100%.
- Druk op OK.
- Druk op pijl omlaag om naar het volgende deulmenu te gaan.

3.2 Wijzig eindpunt voor langsbeweging

De eindpuntwaarde moet zo worden ingesteld dat de snelheid van de langsbeweging zo groot mogelijk is wanneer de knop voor langsbeweging naar rechts is gedraaid.

Een te lage eindpuntwaarde maakt dat de langsbeweging niet op volle snelheid komt.

Geef de eindpuntwaarde aan:

- Druk op OK wanneer het deulmenu verschijnt.

In het display verschijnt: WIJZIG EINDPUNT en een percentage.

- Blader met de pijltjestoetsen om het gewenste eindpunt aan te geven. Hou de pijltjestoets ingedrukt om sneller te bladeren. De schaal is ingedeeld van 1-100%.
- Druk op OK.
- Druk op pijl omlaag om naar het volgende deulmenu te gaan.

3.3 Wijzig startpunt voor invoer

De startpuntwaarde moet zo afgesteld worden dat de invoersnelheid zo klein mogelijk is wanneer de knop voor invoer in nulstand staat, d.w.z. midden tussen linker en rechter eindstand.

Een te lage waarde maakt dat de knop verder van de nulstand moet worden gedraaid voor de invoer begint.

Een te hoge waarde maakt dat de invoersnelheid te groot is wanneer de knop vanaf de nulstad wordt gedraaid.

Geef de startpuntwaarde aan:

- Druk op OK wanneer het deulmenu verschijnt.
- Druk op OK.

In het display verschijnt: WIJZIG STARTPUNT en een percentage.

- Blader met de pijltjestoetsen om het gewenste startpunt aan te geven. Hou de pijltjestoets ingedrukt om sneller te bladeren. De schaal is ingedeeld van 1-100%.
- Druk op OK.
- Druk op pijl omlaag om naar het volgende deulmenu te gaan.

3.4 Wijzig eindpunt voor invoer

De eindpuntwaarde moet zo worden ingesteld dat de snelheid van de invoer zo groot mogelijk is wanneer de knop voor invoer naar rechts is gedraaid.

Een te lage waarde maakt dat de langsbeweging niet op volle snelheid komt.

Geef de eindpuntwaarde aan:

- Druk op OK wanneer het deulmenu verschijnt.

In het display verschijnt: WIJZIG EINDPUNT en een percentage.

- Blader met de pijltjestoetsen om het gewenste eindpunt aan te geven. Hou de pijltjestoets ingedrukt om sneller te bladeren. De schaal is ingedeeld van 1-100%.
- Druk op OK.
- Druk op pijl omlaag om naar het volgende deulmenu te gaan.

3.5 Wijzig reactietijd invoer

De reactietijd geeft aan hoe snel de invoersnelheid gewijzigd moet worden, wanneer aan de knop voor invoer of voor langsbeweging wordt gedraaid.

De aangegeven waarde voor de reactietijd invoer geldt voor zowel de invoer- als de langsbewegingsnelheid.

Geef de waarde voor de reactietijd aan:

- Druk op OK wanneer het deulmenu verschijnt.
- In het display verschijnt: WIJZIG REACTIETIJD en tijd in seconden.
- Blader met de pijltjestoetsen om de gewenste reactietijd aan te geven. Hou de pijltjestoets ingedrukt om sneller te bladeren. De schaal is ingedeeld van 0,0 naar 9,9 seconden.
- Druk op OK.
- Druk op pijl omlaag om "Terug naar menu" te gaan.

4 Sensoren aan/uit kalibreren

Dit submenu bevat de instellingsmogelijkheden voor de diverse druksensoren van het hydraulisch aggregaat.

Het submenu bestaat uit zeven deulmenu's:

- 4.1 Temperatuursensor voor hydraulische olie
- 4.2 Druksensor voor het filter
- 4.3 Spanningssensor
- 4.4 Druksensor voor hydraulische druk
- 4.5 Druksensor hydraulica kalibreren
- 4.6 Spanningssensor kalibreren
- 4.7 Potentiometer kalibreren

4.1 Temperatuursensor voor hydraulische olie

Bij de printplaat is een temperatuursensor aangebracht. De sensor bewaakt dat de elektronica niet oververhit raakt.

Wanneer de temperatuursensor aan is, leest het besturingssysteem de temperatuur voortdurend af.



OPGELET!

Het hydraulisch aggregaat kan beschadigd raken als de temperatuursensor uitgezet wordt.

De temperatuursensor aan-/uitletten:

- Druk op OK wanneer het deulmenu verschijnt.
In het display verschijnt: TEMP. SENSOR VOOR HYDR. OLIE en AAN of UIT.
- Druk op OK om te wisselen tussen AAN en UIT.
- Druk op pijl omlaag om naar het volgende deulmenu te gaan.

4.4 Drukmeter voor hydraulische druk

De druksensor meet de hydraulische druk naar het zaagblad.



OPGELET!

Het regelsysteem van het hydraulisch aggregaat gaat uit, wanneer de druksensor uitgezet wordt. Het hydraulisch systeem kan de moeilijk te besturen en controleren zijn bij hoge belasting.

De druksensor aan-/uitletten:

- Druk op OK wanneer het deulmenu verschijnt.

In het display verschijnt: DRUKSENSOR VOOR HYDRAULISCHE DRUK en AAN of UIT.

- Druk op OK om te wisselen tussen AAN en UIT.
- Druk op pijl omlaag om naar het volgende deulmenu te gaan.

4.5 Druksensor hydraulica kalibreren

De druksensor, die de oliedruk voor de zaagbladrotatie meet, kan gekalibreerd worden.

Van de druksensor moet eerst het nulpunt en dan het maxpunt worden gekalibreerd.

Om het nulpunt te kalibreren:

1. Sluit de ingaande elektriciteitskabel aan op 63A.
2. Sluit een oliereductieklep met druksensor aan op de hydraulische koppelingen van de zaagbladrotatie.
3. Kies het submenu "Sensor aan/uit kalibreren" in het menu "Instellingen".
4. Blader met de pijltjestoetsen en druk op OK wanneer "Druksensor voor hydraulica kalibreren" verschijnt.
5. Druk weer op OK wanneer in het display verschijnt NULPUNT KALIBREREN.
6. Start het hydraulisch aggregaat.
7. Stel de oliedrukreductieklep af op 0 bar.
8. Druk op pijl omhoog/omlaag tot de waarde voor de oliedruk 0 bar aangeeft, d.w.z. dezelfde waarde als op de druksensor op de oliedrukreductieklep.
9. Druk op OK om te kalibreren.

Om het maxpunt te kalibreren:



OPGELET!

Kalibreer het nulpunt (zie voorgaande bladzijde) voor het maxpunt. Dit om te voorkomen dat u niet vergeet het hydraulisch aggregaat te starten.

1. Kies het submenu "Sensor aan/uit kalibreren" in het menu "Instellingen".
2. Blader met de pijltjestoetsen en druk op OK wanneer "Druksensor voor hydraulica kalibreren" verschijnt.
3. Druk weer op OK wanneer in het display verschijnt MAXPUNT KALIBREREN.
4. Stel de oliedrukreductieklep af op 215 bar.
5. Druk op pijl omhoog/omlaag tot de waarde voor de oliedruk 215 bar aangeeft, d.w.z. dezelfde waarde als op de drukmeter op de oliedrukreductieklep.
6. Druk op OK om te kalibreren.
7. Druk op pijl omlaag om naar het volgende deulmenu te gaan.

4.7 Potentiometer kalibreren

Deze functie wordt gebruikt om de nulstanden van de knoppen voor invoer en langs beweging te kalibreren.

Om de nulstanden te kalibreren:

1. Blader met de pijltjestoetsen en druk op OK wanneer "Potentiometer kalibreren" verschijnt.

In het display verschijnt: KALIBREREN 0 0. Het linker getal betreft de invoer en het rechter getal betreft de langs beweging.

Wanneer de knoppen uit de nulstand zijn gedraaid, verschijnen de nullen en een aantal >>>. Het aantal pijltjes is afhankelijk van hoe lang de knoppen van de nulstand af staan.

1. Verwijder de knoppen door de schroef aan de zijkant van iedere knop weg te draaien. Gebruik een inbussleutel.
2. Draai de assen tot er slechts twee nullen in het display te zien zijn.
3. Monteer de knoppen weer.
4. Stel de plastic ring af.
5. Druk op OK.
6. Druk op pijl omlaag om "Terug naar menu" te gaan.

5 Instellingen Smartbox

Dit submenu bevat informatie over het hydraulisch aggregaat en functies voor het instellen van eenheden en PIN-code. Het submenu bestaat uit zes deulmenu's:

1. Versie Husqvarna Smartbox
2. AM (Amerikaanse) eenheden
3. Radio ID
4. ID Hydraul.aggr.
5. PIN-code
6. Wijzig PIN-code

1. Versie Husqvarna Smartbox. In het display verschijnt het versienummer, bijv. 2.0, van de software.

- Druk op pijl omlaag om naar het volgende deulmenu te gaan.

2. AM eenheden. In het display verschijnt: AM EENHEDEN en AAN of UIT. Wanneer de functie AAN is, verschijnen Amerikaanse eenheden in het menusysteem.

- Druk op pijl omlaag om naar het volgende deulmenu te gaan.

3. Radio ID

Om radiocontact te krijgen tussen de afstandsbediening en het hydraulisch aggregaat, moet een ID-nummer worden aangegeven. Om het ID-nummer te wijzigen, moet de CAN-kabel aangesloten zijn tussen de afstandsbediening en het hydraulisch aggregaat.

- Druk op OK wanneer RADIOID 0 0 in het display verschijnt.

Het linker getal betreft de hoge cijferreeks en het rechter getal betreft de lage cijferreeks.

- Geef, met de pijltjestoetsen, de hoge cijferreeks aan en druk op OK.

- Geef, met de pijltjestoetsen, de lage cijferreeks aan en druk op OK.

- Druk op pijl omlaag om naar het volgende deulmenu te gaan.

Af fabriek is het ID-nummer gelijk aan het machinenummer. Als de afstandsbediening of het hydraulisch aggregaat worden vervangen of geherprogrammeerd, moet een ID-nummer worden aangegeven. Wijzig bijvoorbeeld naar het ID-nummer van het hydraulisch aggregaat.

4. ID Hydraul.aggr.

In het display verschijnt het identiteitsnummer van het hydraulisch aggregaat. Het identiteitsnummer moet groter zijn dan 0.

- Druk op pijl omlaag om naar het volgende deulmenu te gaan.

5.5 PIN-code

Wanneer de functie is geactiveerd wordt gevraagd om een viercijferige PIN-code iedere keer dat de afstandsbediening wordt aangezet. De eerste keer is de code 0000. Indien 4 keer achter elkaar een verkeerde PIN-code wordt aangegeven, vergrendelt het hydraulisch aggregaat. Een PUK-code (komt van Husqvarna) moet dan worden aangegeven om te ontgrendelen.

In het display verschijnt: PIN-CODE en AAN of UIT.

Om te activeren of deactiveren:

- Druk op OK om te bladeren tussen AAN en UIT.
- Druk op pijl omlaag om naar het volgende deulmenu te gaan.

5.6 Wijzig PIN-code

- Druk op OK wanneer in het display WIJZIG PIN-CODE verschijnt.
- Geef de huidige PIN-code aan en druk op OK.
- Bij de eerste wijziging is de code 0000.)
- Geef de nieuwe PIN-code aan en druk op OK.
- Geef de nieuwe PIN-code weer aan om te bevestigen en druk op OK.
- Druk op pijl omlaag om "Terug naar menu" te gaan.

6. Basisinstelling

Deze functie reset alle menu-instellingen naar de fabrieksinstellingen. Zelfs de PIN-code wordt gereset.

In het display verschijnt: BASISINSTELLING en AAN of UIT. UIT verschijnt wanneer een wijziging wordt gedaan, die anders is dan de basisinstellingen.

7 Uit instellingen

Deze functie bevestigt of annuleert alle gemaakte instellingen voordat het gebruiksmenu weer verschijnt.

- Druk op OK wanneer in het display UIT INSTELLINGEN verschijnt.
- In het display verschijnt: OPSLAAN? NEE. Om de gemaakte instellingen niet op te slaan:
- Druk op OK.
- Om de gemaakte instellingen op te slaan:
- Druk op pijl omhoog/omlaag en kies JA.
- Druk op OK.

Foutmeldingen

In het display kunnen tien verschillende foutmeldingen verschijnen:

- N.B.! LAGE SPANNING (1A) CONTROLEER DE SPANNINGSTOEVOER EN DE KABEL NAAR HET HYDRAULISCH AGGREGAAT
- LAGE SPANN FASE X (1B) LAAG VRMOGEN 32A
- MOTORBEVEILIGING GEACTIVEERD (2)
- MOTOR OVERVERHIT (3) ER WORDT GEKOELD. ZET DE ELEKTROMOTOR NIET UIT
- OLIETEMP HOOG (4) CONTROLEER WATER NAAR HYDRAULISCH AGGREGAAT
- DRUKSENSOR UIT (5) FUNCTIE
- HOGE HYDR. DRUK (6) CONTROLEER AGGREGAAT
- GEEN CONTACT CONTROLEER CAN-KABEL (7)
- GEEN RADIOCONTACT (8)

Foutmelding (1A)



N.B.!

Lage spanning Controleer spanningstoevoer en kabel naar hydraulisch aggregaat

Te lage spanning veroorzaakt door:

- Lange aansluitkabel.
- Te kleine draaddimensie (doorsnedeoppervlakte) van de elektrische kabel.

En of meerdere fasen ontbreken, veroorzaakt door:

- Een zekering gesprongen in de elektriciteitskast.
- Breuk in de elektriciteitskabel.
- Geen spanning naar een of meerdere fasen in de elektriciteitskast.

Maatregel (1A)

Druk op OK om de foutmelding te bevestigen. Het hydraulisch aggregaat zal de maximale vermogensopname dan aanpassen aan 32A.

Foutmelding (1B)

“Lage spann Fase x laag vermogen 32A”, waarbij x voor fase 1, 2 of 3 staat.

Maatregel (1B)

Druk op OK om de melding te bevestigen. In het display verschijnt dat de maximale vermogensopname op 32 A is gezet. Als de spanning nog steeds laag is, gaat de elektromotor uit en de foutmelding over lage spanning verschijnt.

Door dan op OK te drukken, keert het aggregaat terug naar het maximale vermogen, dat men koos bij het opstarten. Om te wisselen tussen 63 A respectievelijk 32 A, moet het aggregaat uit- en weer aangezet worden.

Lees de toevoerspanning in het gebruiksmenu “Fase 1, Fase 2, Fase 3”. Als de spanning, voordat de motor wordt gestart:

Onder 340 V is; controleer dan dat er geen breuk in een van de draden in de kabel is en dat er tot aan de elektriciteitskast spanning is.

Boven 340 V is, controleer dan de draaddimensies en de lengte van de kabel.

Foutmelding (2)

“Motorbeveiliging geactiveerd”.

Oorzaak (2):

De elektromotor is overbelast of er ontbreekt een fase. Daarom is de motorbeveiliging, die aanwezig is om de elektromotor te beschermen, geactiveerd.

Maatregel (2):

Druk op OK om de foutmelding te bevestigen. Controleer of op alle drie de fases spanning staat naar het hydraulisch aggregaat.

Lees de toevoerspanning in het gebruiksmenu “Fase 1, Fase 2, Fase 3”.

Indien er op een fase geen spanning staat: Controleer de elektriciteitskabel en de spanning naar de elektriciteitskast. De motorbeveiliging start binnen drie minuten automatisch opnieuw.

Als de spanning naar alle fasen hoger is dan 340 V: Wacht tot de motorbeveiliging weer start. Start daarna het hydraulisch aggregaat opnieuw.

Als de motorbeveiliging te vaak wordt geactiveerd, moet u contact opnemen met servicepersoneel.

Foutmelding (3)

“Motor oververhit Er wordt gekoeld. Zet elektromotor niet uit!”

**OPGELET!**

Zet de motor niet uit, omdat deze dan beschadigd kan raken. Wanneer de motor afgekoeld is, gaat deze automatisch uit.

Oorzaak (3)

De motortemperatuur is te hoog.

Maatregel (3)

Druk op OK om de foutmelding te bevestigen.

Als het ondanks alles, toch nodig is om de motor uit te zetten, moet de foutmelding toch eerst worden bevestigd door op OK te drukken.

In het display verschijnt: KOELEN. De hydraulische kleppen voor zaagblad en invoer gaan uit. De invoerbewegingen kunnen echter opnieuw gestart worden.

Wanneer de motortemperatuur onder het grensniveau is gedaald, verschijnt in het display: MOTOR AFGEKOELD DRUK OK.

Als de motor vaak oververhit raakt, moet u contact opnemen met servicepersoneel.

Foutmelding (4)

“Olietemp. hoog Controleer water naar hydraulisch aggregaat”

Oorzaak (4)

Het koelen van de hydraulische olie heeft niet gewerkt.

Maatregel (4)

Wanneer de foutmelding verschijnt, gaat de elektromotor uit. Druk op OK om de foutmelding te bevestigen. Controleer of het koelwater is aangesloten op het hydraulisch aggregaat en dat het water naar het zaagblad stroomt, wanneer u aan de knop voor zaagbladrotatie draait.

Foutmelding (5)

“Druksensor uit functie”

Oorzaak (5)

De druksensor voor het meten van de hydraulische druk naar de zaagbladrotatie werkte niet.

Maatregel (5)

Druk op OK om de foutmelding te bevestigen. Als de foutmelding herhaaldelijk verschijnt, vervang dan de druksensor.

Foutmelding (6)

“Hoge hydraul.druk Contr. aggregaat”

Oorzaak (6)

Het zaagblad zit vast, wat een te hoge hydraulische druk veroorzaakt.

Maatregel (6)

Druk op OK om de foutmelding te bevestigen. Als de foutmelding vaak verschijnt, moet u contact opnemen met servicepersoneel.

Foutmelding (7)

“Geen contact Controleer de CAN-kabel”

Oorzaak (7)

De CAN-kabel en zijn contacten zijn beschadigd, wat ertoe leidt dat het hydraulisch aggregaat niet via de afstandsbediening kan worden bestuurd.

Maatregel (7)

Druk op OK om de foutmelding te bevestigen. Controleer de kabel en contacten en vervang hetgeen beschadigd is. Neem contact op met servicepersoneel als de storing aanhoudt.

Foutmelding (8) – betreft aggregaten met een radiosysteem

“Geen radiocontact”

Oorzaak (8)

Het radiocontact tussen hydraulisch aggregaat en afstandsbediening werkt niet.

Maatregel (8)

Er kunnen meerdere maatregelen nodig zijn om de fout te verhelpen:

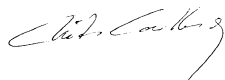
- Zorg ervoor dat (via het gebruiksmenu – instellingen – radioid) het identiteitsnummer groter is dan 0.
- Zorg ervoor dat het hydraulisch aggregaat gestart is.
- Ga dichterbij het hydraulisch aggregaat toe om een te lange afstand te voorkomen of gewapende wanden te ontwijken.

Start de afstandsbediening opnieuw. Neem contact op met servicepersoneel als de storing aanhoudt.

EU-verklaring

Husqvarna Construction Products Sweden AB, Box 2098, 550 02 Jönköping, Zweden, tel: 0046-365706000, verklaart hiermee dat hydraulisch aggregaat RC 455, van 01001 en verder geproduceerd is overeenkomstig de richtlijnen van de Raad 98/37/EG aangaande machines, 73/23/EEG "de Laagspanningsrichtlijn" en richtlijn 89/336/EEG over elektromagnetische compatibiliteit, met wijzigingen, en dat volgende normen zijn gebruikt als richtsnoer: EN 55 014-1, EN 55 014-2, EN 61 000-3-2, EN 50 144-1, EN 13 862.

Jönköping, 2005-01-01



Christer Carlberg
Algemeen directeur



www.husqvarnacp.com