

Husqvarna TS1000F

Pièces de rechange

Spare parts

Ersatzteile

Piezas de repuesto

Ricambi

Onderdelen

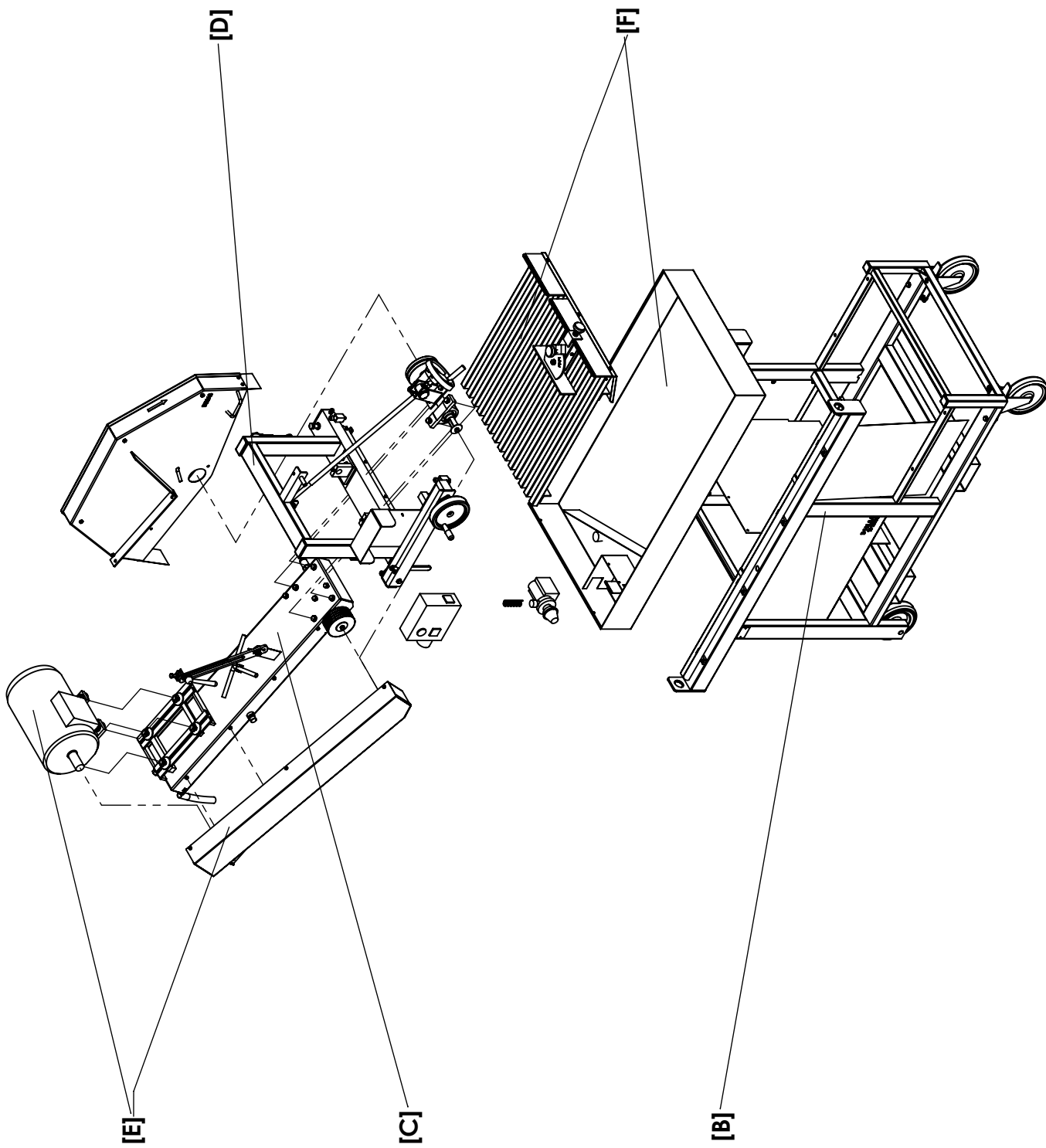
Reservdelar

Peças sobresselentes

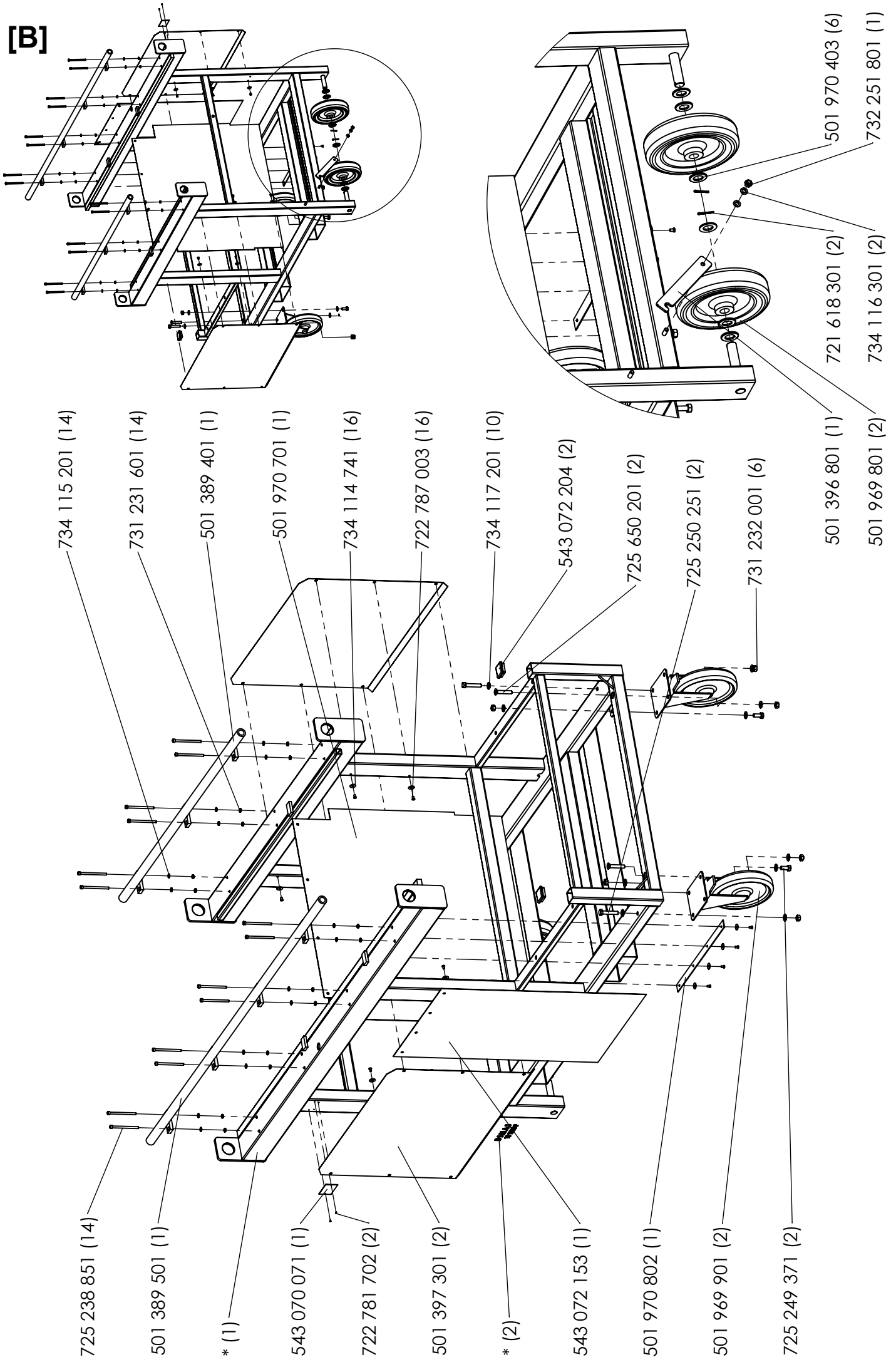
No.	Pos.	Description	No.	Pos.	Description
501389201		PLATE, RIGHT HEAD SUPPORT	501970404		WASHER
501389301		PLATE, LEFT HEAD SUPPORT	501970601		NUT, M30x2 TS1000F
501389401		RAIL GUIDE, RIGHT	501970701		SPLASH GUARD, REAR TS1000F
501389501		RAIL GUIDE, LEFT	501970801		SUPPORT, SPLASH GUARD, REAR
501389701		TABLE, TS1000F	501970802		SUPPORT, SPLASH GUARD, LEFT
501389801		WATER TANK, TS1000F	537072151		SPLASH GUARD, SMALL REAR
501389901		BLADE GUARD, TS1000F FIXED	537072152		SPLASH GUARD, SMALL FRONT
501393401		BLADE GUARD, TS1000F COVER	543044809		SPRING PIN 5x30
501395501		CUTTING GUIDE, ANGULAR	543045458		GREASE NIPPLE M8x1
501396001		SUPPORT PLATE, SCREW FEED	543045580		WATER HOSE 12x18
501396101		STIRRUP, 90° ADJUSTEMENT	543045883		STICKER ARROW
501396401		BELT GUARD, TS1000F FIXED	543070071		NAME PLATE SMALL
501396501		BELT GUARD, TS1000F COVER	543072067		DEPTH GAUGE
501396601		SHAFT PIVOT, TS1000F	543072069		FLANGE, INNER
501396701		SPACER, TS1000F	543072070		SPANNER, HEX
501396801		LOCK CLAMP, WATER TANK	543072071		PLUG
501396901		PIVOT, TS1000F	543072076		BLADE SHAFT
501397001		SHAFT PIVOT, TS1000F	543072079		SPACER, TS1000F
501397101		SPLASH GUARD, TS1000F STEEL	543072080		FLANGE, OUTER
501397201		SHEET, TS1000F PROTECTION	543072081		WASHER
501397301		SIDE PANEL, TS1000F	543072082		RECEIVER PULLEY
501397401		DEPTH GAUGE, TS1000F	543072083		DRIVE PULLEY
501441201		SUPPORT, TS1000F MOTOR	543072084		BUSHING, LOCKING
501843201		SCREW, HEAD ADJUSTEMENT	543072135		SPACER, TS1000F ROLLER GUIDE
501962601		ARM, TS1000F STABILIZER	543072138		ROLLER, TS1000F LEFT GUIDE
501962701		PLATE, TS1000F CARRIAGE HOLDER	543072153		SPLASH GUARD LEFT
501962901		ROLLER, TS1000F STABILIZER	543072154		LOCKING PLATE, TS1000F MOTOR
501963001		SHAFT PIVOT, TS1000F ROLLER	543072155		SCREW BELT TENSIONNING
501963101		SPACER RING, TS1000F	543072158		DRIVE ROLLER, TS1000F
501963201		SHAFT, TS1000F FEEDING	543072170		GROMMET
501963301		SCREW, TS1000F HEAD LOCKING	543072187		HEAD BLOCKING LEVER
502482101		WASHER, TS1000F Large	543072190		ROLLER, TS1000F GUIDE
501965201		SCREW 12x30 DIN 7992	543072191		BEARING SG 207 SVL
501965601		SCREW, M10x75 HEX, FT	543072194		SWITH BOX COMPLETE
501965701		SCREW, MACHINED, M12x60	543072200		BELT
501965702		SCREW, MACHINED, M12x80	543072202		MOTOR
501968501		ROD, THREADED TS1000F	543072204		PLUG 40x40x2
501968601		WHEEL NUT, ANGLE GUIDE TS1000F	543072210		DEPTH GAUGE RULER
501968701		PROTECT. SLEEVE, THREADED ROD	543072212		WRENCH 13
501968801		CABLE GUARD, TS1000F, WHITE	543072213		WRENCH 46
501968901		KEY 7x8x45	543072214		WRENCH 19-24
501969001		KEY 7x8x20	543076071		EMERGENCY STOP SWITCH
501969101		CABLE GUARD, PVC, TRANSPARENT	543076072		ON / OFF SWITCH
501969201		PLUG 80x40x2, BLACK	543076073		DELTA / STAR SWITCH
501969301		RULER, LEFT TS1000F	543076294		HANDWHEEL PLUNGING HEAD
501969401		RULER, RIGHT TS1000F	543079254		SPRING WASHER M12 DIN 127
501969501		WIRE, EARTH TS1000F	543080702		WATERPUMP SURF 5000 SA CEN
501969601		HOSE CLAMP, TS1000F, PLASTIC	721421301		SPRING PIN 3x26
501969701		HOSE CLAMP, TS1000F, STEEL	721618301		SPLIT PIN 3.2x25
501969801		WHEEL, FIXED TS1000F	722781702		RIVET, NAMEPLATE
501969901		WHEEL, PIVOTING TS1000F	722787003		RIVET 4,8x12, ALUMINIUM
501970201		BEARING SBPFL205 TS1000F	725232771		SCREW TH 5x12
501970301		BEARING KU 15 15 TS1000F	725232771		SCREW TH 5x12
501970401		WASHER, TS1000F, 13	725232971		SCREW TH 5x16
501970402		WASHER, TS1000F, 17	725236471		SCREW TH 6x10
501970403		WASHER, TS1000F, 21	725237071		SCREW TH 6x16

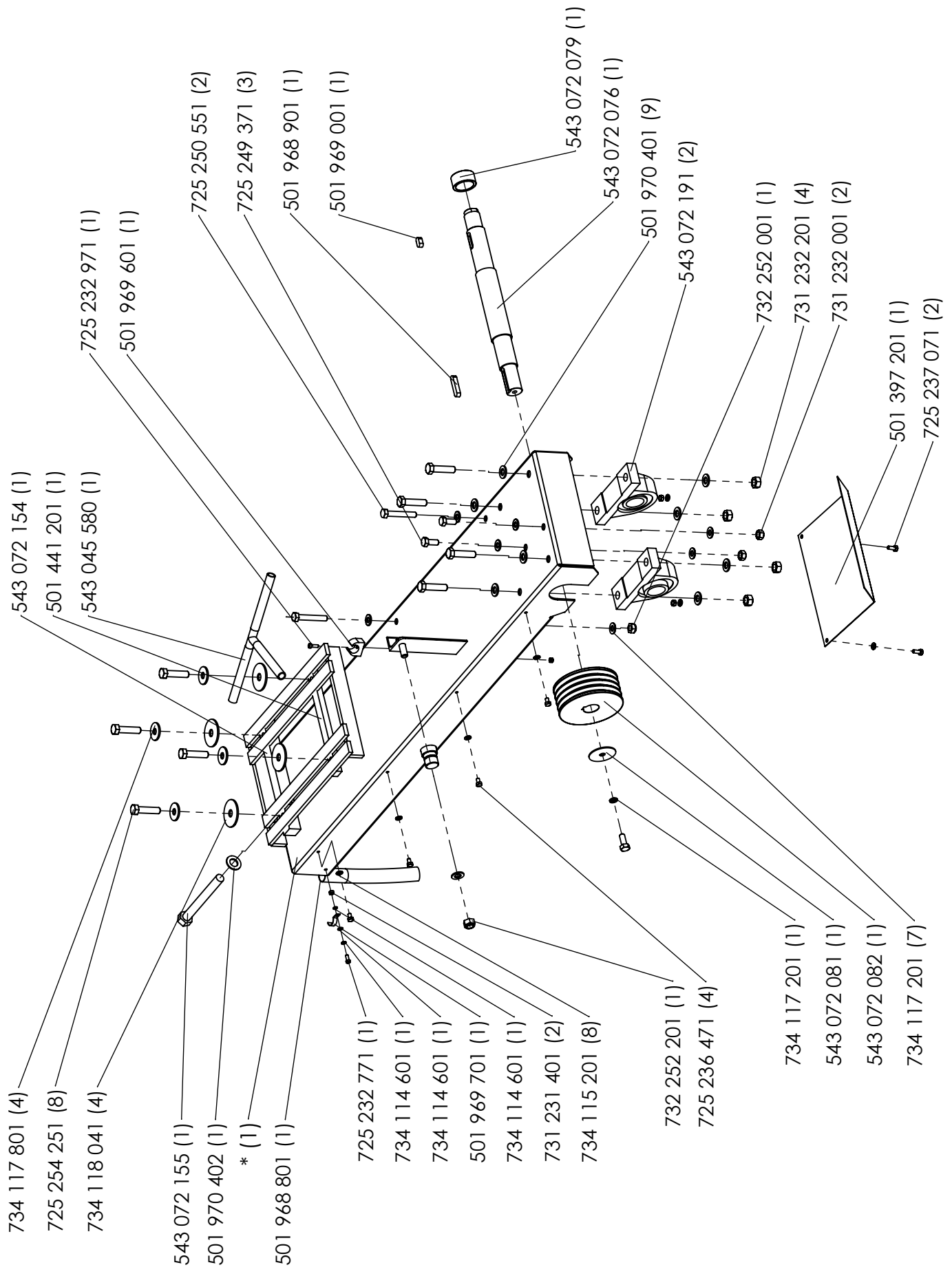
No.	Pos.	Description	No.	Pos.	Description
725237951		SCREW TH 6x45			
725238251		SCREW TH 6x60			
725238851		SCREW TH 6x90			
725244971		SCREW TH 8x16			
725245171		SCREW TH 8x20			
725245571		SCREW TH 8x30			
725249371		SCREW TH 10x25			
725249771		SCREW TH 10x35			
725250171		SCREW TH 10x50			
725250251		SCREW TH 10x55			
725250551		SCREW TH 10x70			
725254251		SCREW TH 12x50			
725650201		SCREW, M10x55 DIN 7992			
729571701		SCREW, ST 3,5x16			
731231401		NUT M5 MOSAZ			
731231401		NUT M5			
731231601		NUT M6			
731231601		NUT M6			
731231801		NUT M8			
731232001		NUT M10			
731232201		NUT, M12			
731232201		NUT, M12			
731232401		NUT, M16			
732251801		NUT, M8 NYLOC			
732252001		NUT, M10 NYLOC			
732252201		NUT, M12 NYLOC			
734114601		WASHER 5			
734114601		WASHER 5.1			
734114601		WASHER 5.3			
734114601		WASHER 5.3			
734114741		WASHER THICK 5.5			
734115201		WASHER 6			
734116301		WASHER 8			
734116301		WASHER 8.4			
734116541		Washer, L8			
734117201		WASHER, 10			
734117201		WASHER, 10			
734117201		WASHER, 10			
734117801		WASHER 12			
734118041		WASHER, L12			
734118201		WASHER 14			
734118601		WASHER, 16			
735311200		CIRCLIPS 10			
735311400		CIRCLIPS 12			
735312710		CIRCLIPS 26			
735313700		CIRCLIPS 40			
738210004		BEARING 6000 2RS			
543085206		HANDWHEEL CARRIAGE			

[A]

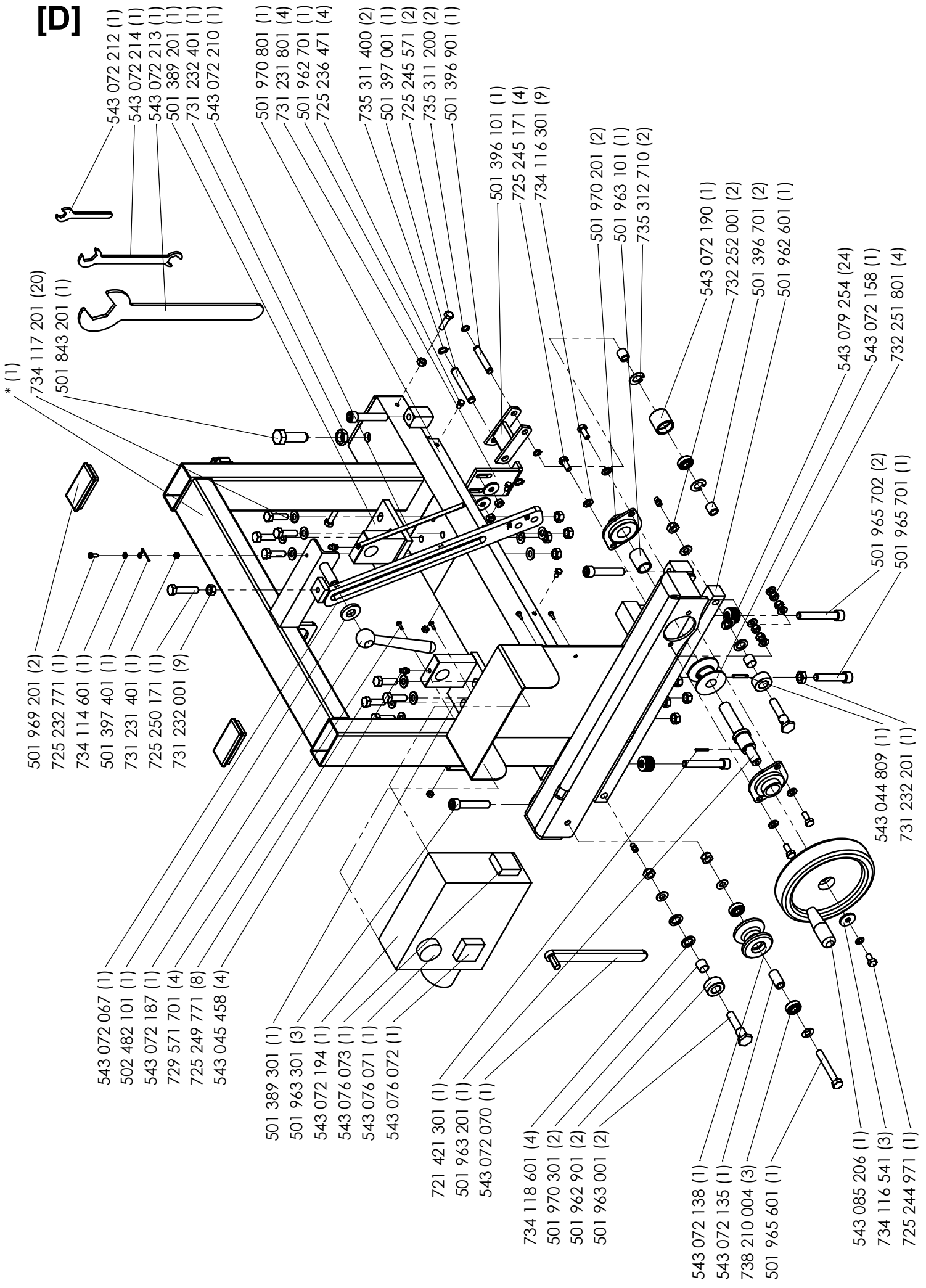


[B]





D



* (1)

- 501 969 201 (2)
- 725 232 771 (1)
- 734 114 601 (1)
- 501 397 401 (1)
- 731 231 401 (1)
- 725 250 171 (1)
- 731 232 001 (9)

- 543 072 067 (1)
- 502 482 101 (1)
- 543 072 187 (1)
- 729 571 701 (4)
- 725 249 771 (8)
- 543 045 458 (4)

- 501 389 301 (1)
- 501 963 301 (3)
- 543 072 194 (1)
- 543 076 073 (1)
- 543 076 071 (1)
- 543 076 072 (1)

- 721 421 301 (1)
- 501 963 201 (1)
- 543 072 070 (1)

- 734 118 601 (4)
- 501 970 301 (2)
- 501 962 901 (2)
- 501 963 001 (2)

- 543 072 138 (1)
- 543 072 135 (1)
- 738 210 004 (3)
- 501 965 601 (1)

- 543 085 206 (1)
- 734 116 541 (3)
- 725 244 971 (1)

- 543 072 212 (1)
- 543 072 214 (1)
- 543 072 213 (1)
- 501 389 201 (1)
- 731 232 401 (1)
- 543 072 210 (1)

- 501 970 801 (1)
- 731 231 801 (4)
- 501 962 701 (1)
- 725 236 471 (4)

- 735 311 400 (2)
- 501 397 001 (1)
- 725 245 571 (2)
- 735 311 200 (2)
- 501 396 901 (1)

- 501 396 101 (1)
- 725 245 171 (4)
- 734 116 301 (9)

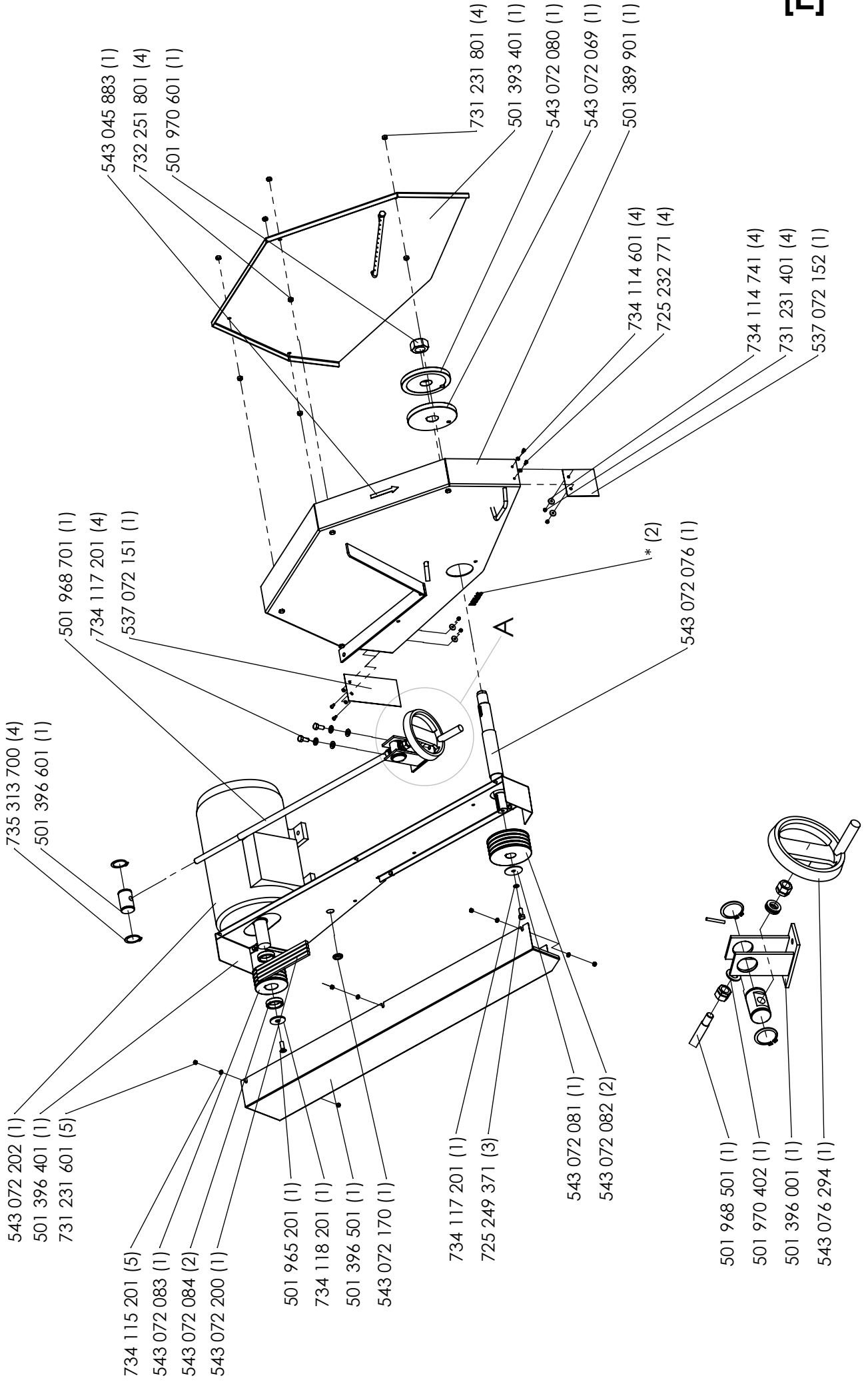
- 501 970 201 (2)
- 501 963 101 (1)
- 735 312 710 (2)

- 543 072 190 (1)
- 732 252 001 (2)
- 501 396 701 (2)
- 501 962 601 (1)

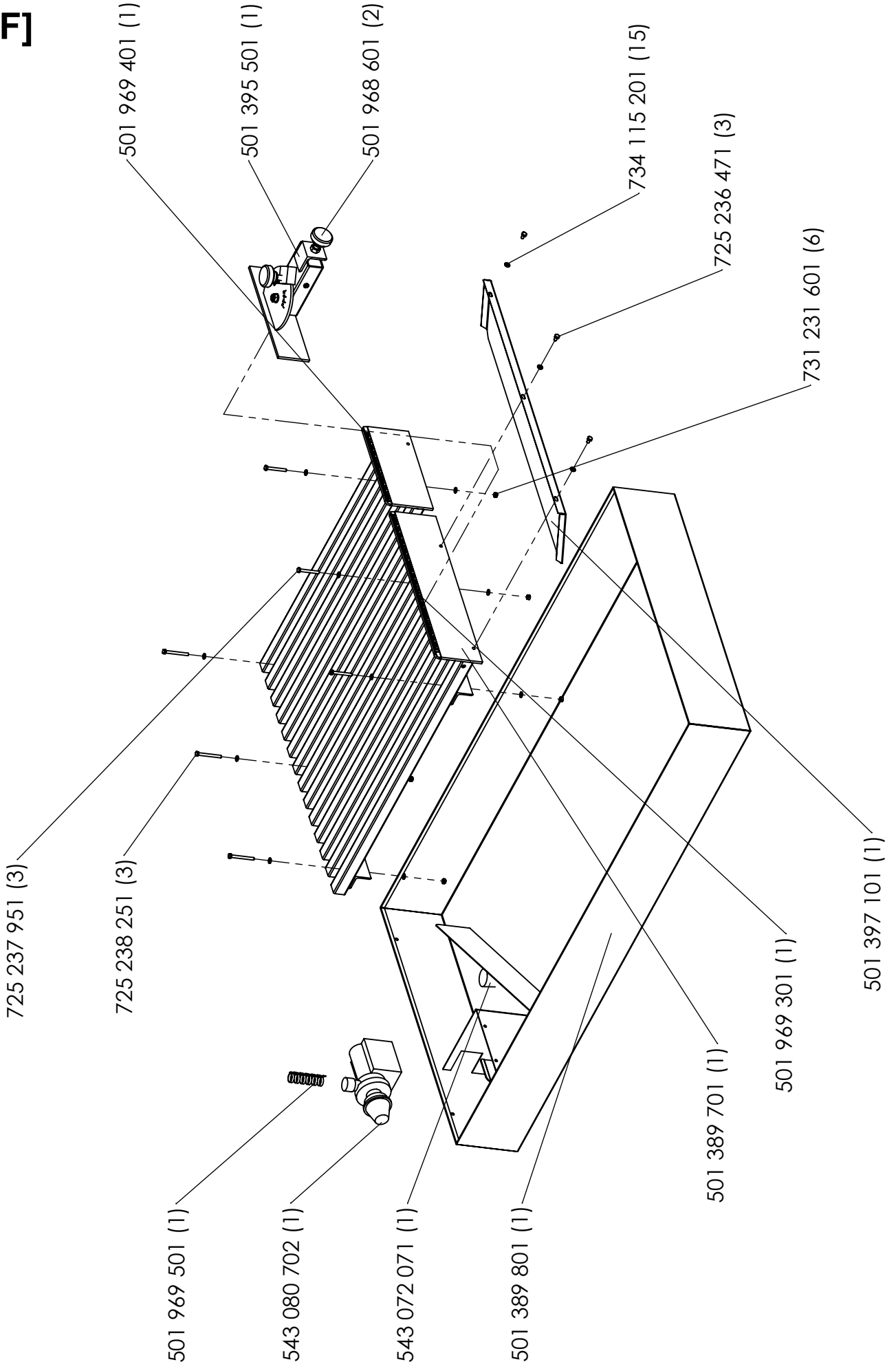
- 543 079 254 (24)
- 543 072 158 (1)
- 732 251 801 (4)

- 501 965 702 (2)
- 501 965 701 (1)

- 543 044 809 (1)
- 731 232 201 (1)



F





www.husqvarnacp.com