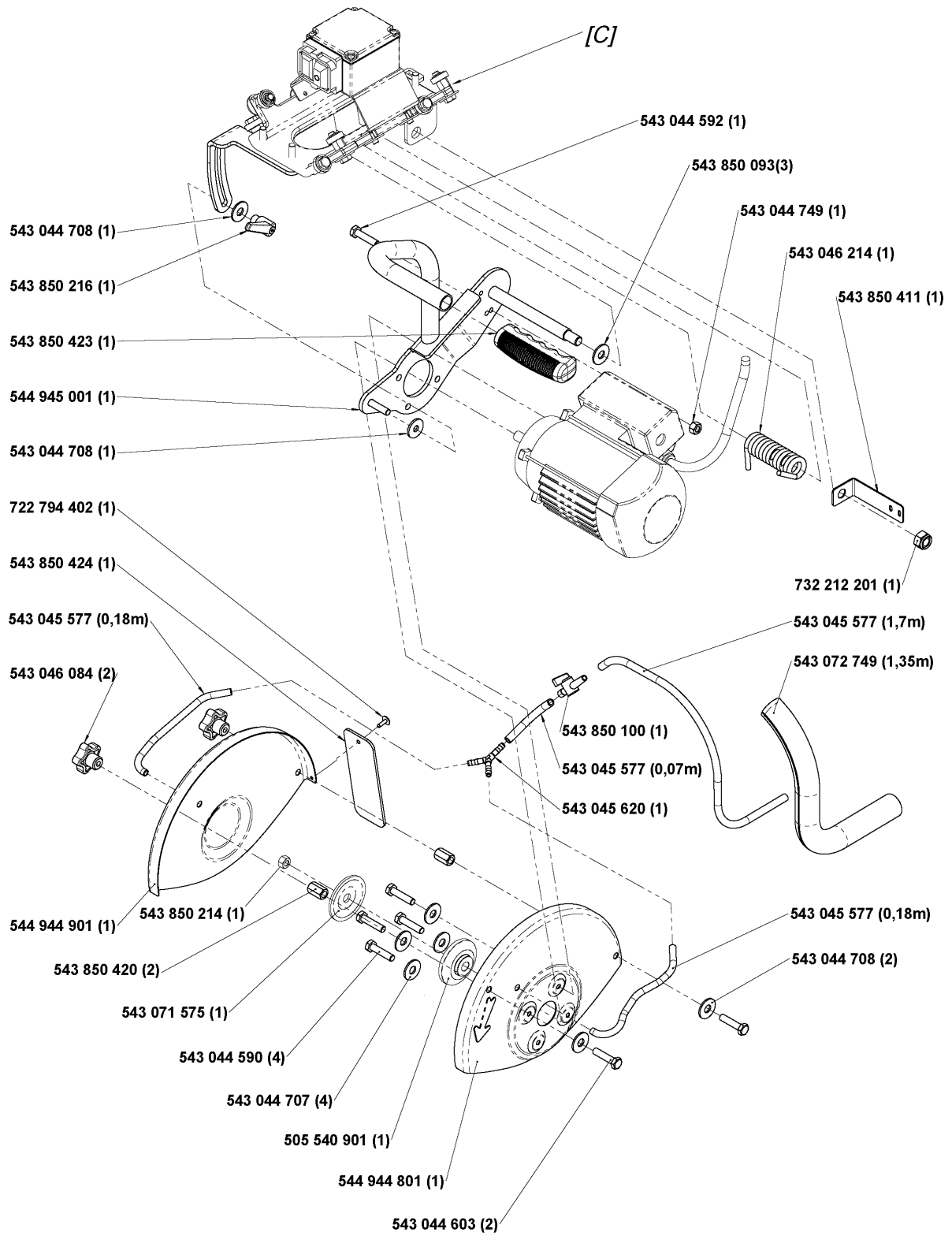




SPARE PARTS LIST

TILE SAWS

TS73 R, 2008-06

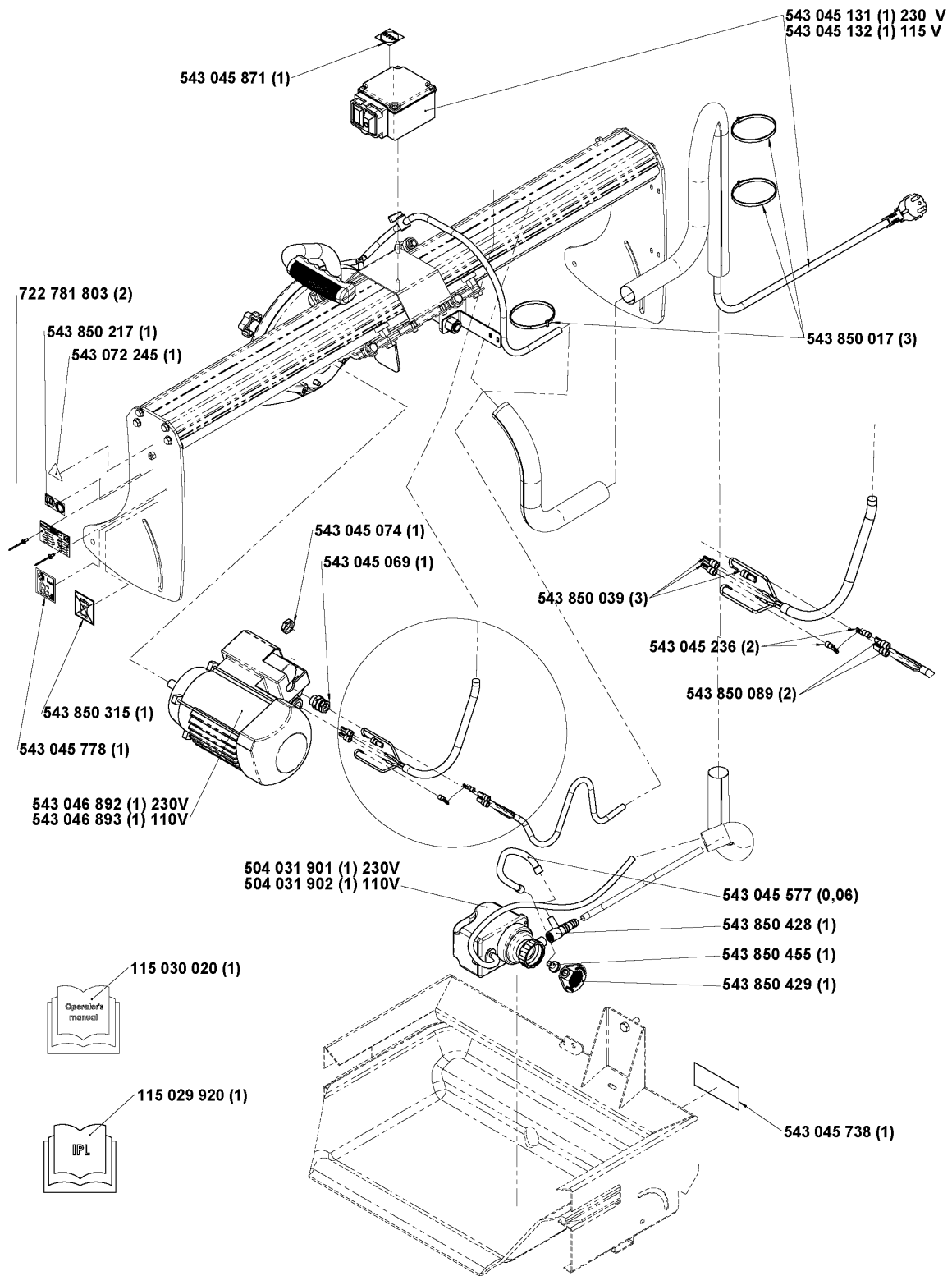


D

CUTTING ARM & BLADE GUARD

TS73 R, 2008-06

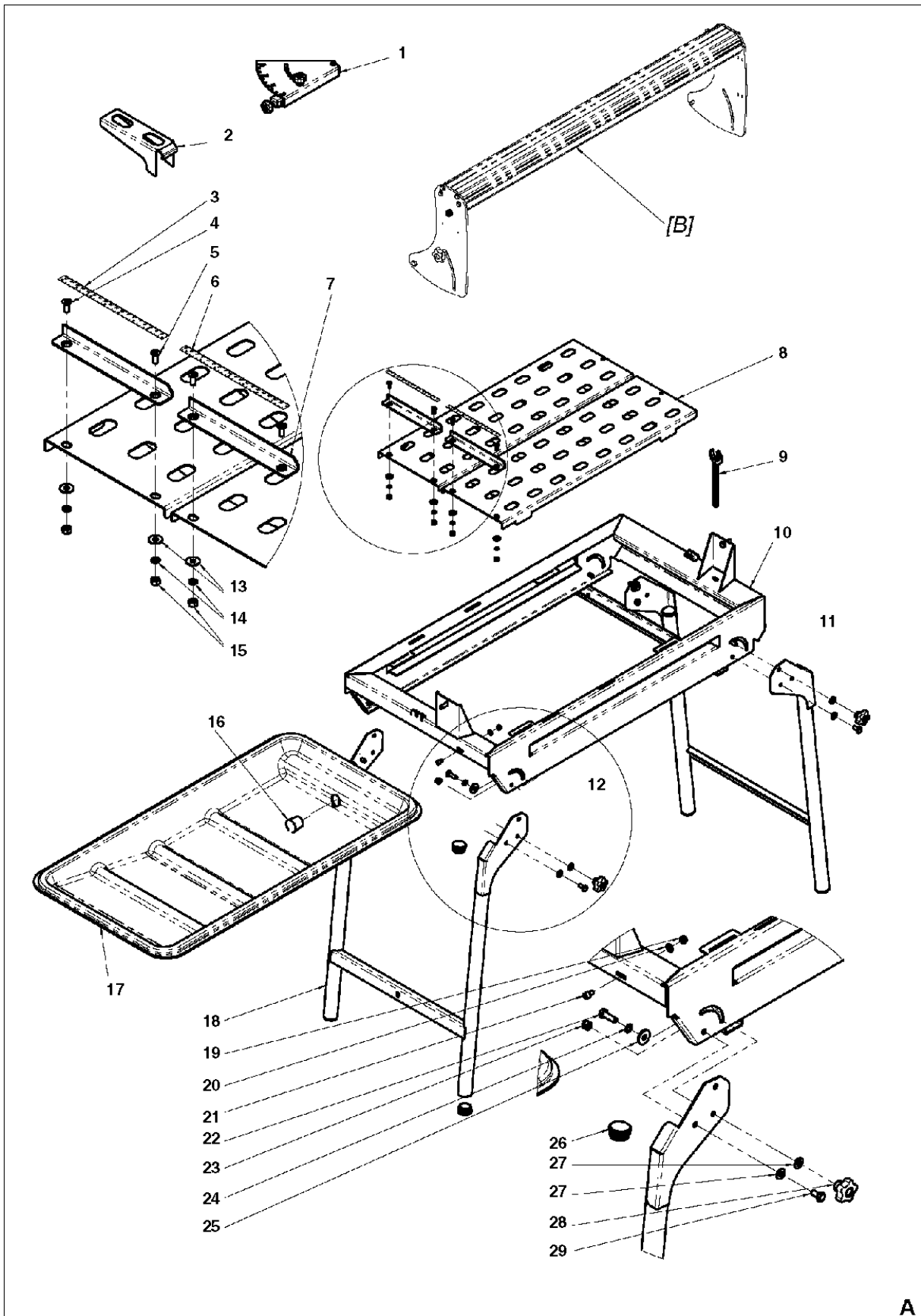
Part No	Description	Remark	QTY KIT
505 54 09-01	FLANGE		1
543 04 45-90	VIS TH 8/8 6X16 BICHROM/		4
543 04 45-92	VIS TH 8/8 6X25 BICHROM/		1
543 04 46-03	SCREW		2
543 04 47-07	RONDELLE ACIER M6 BICHRO/		4
543 04 47-08	WASHER		1
543 04 47-08	WASHER		2
543 04 47-08	WASHER		1
543 04 47-49	NUT		1
543 04 55-77	HOSE		1
543 04 55-77	HOSE		1
543 04 55-77	HOSE		1
543 04 55-77	HOSE		1
543 04 56-20	RACCORD PP CANNELE Y/DIAM INT		1
543 04 60-84	STEERING WHEEL		2
543 04 62-14	SPRING OF TORSION 39761/		1
543 07 15-75	FLASQUE BLOQUAGE DUDISQUE TS23		1
543 07 27-49	WIRE PROTECTIONSHR-20-6NB		1
543 85 00-93	WASHER		3
543 85 01-00	WATER VALVE		1
543 85 02-14	NUT		1
543 85 02-16	INDEXABLE HANDLE, NUT M8		1
543 85 04-11	CABLE SUPPORTTS73R-02		1
543 85 04-20	SPACER		2
543 85 04-23	HANDLE		1
543 85 04-24	MUD FLAP		1
544 94 48-01	BLADE GUARD		1
544 94 49-01	BLADE GUARD		1
544 94 50-01	MOTOR ASSY		1
722 79 44-02	RIVET		1
732 21 22-01	NUT		1



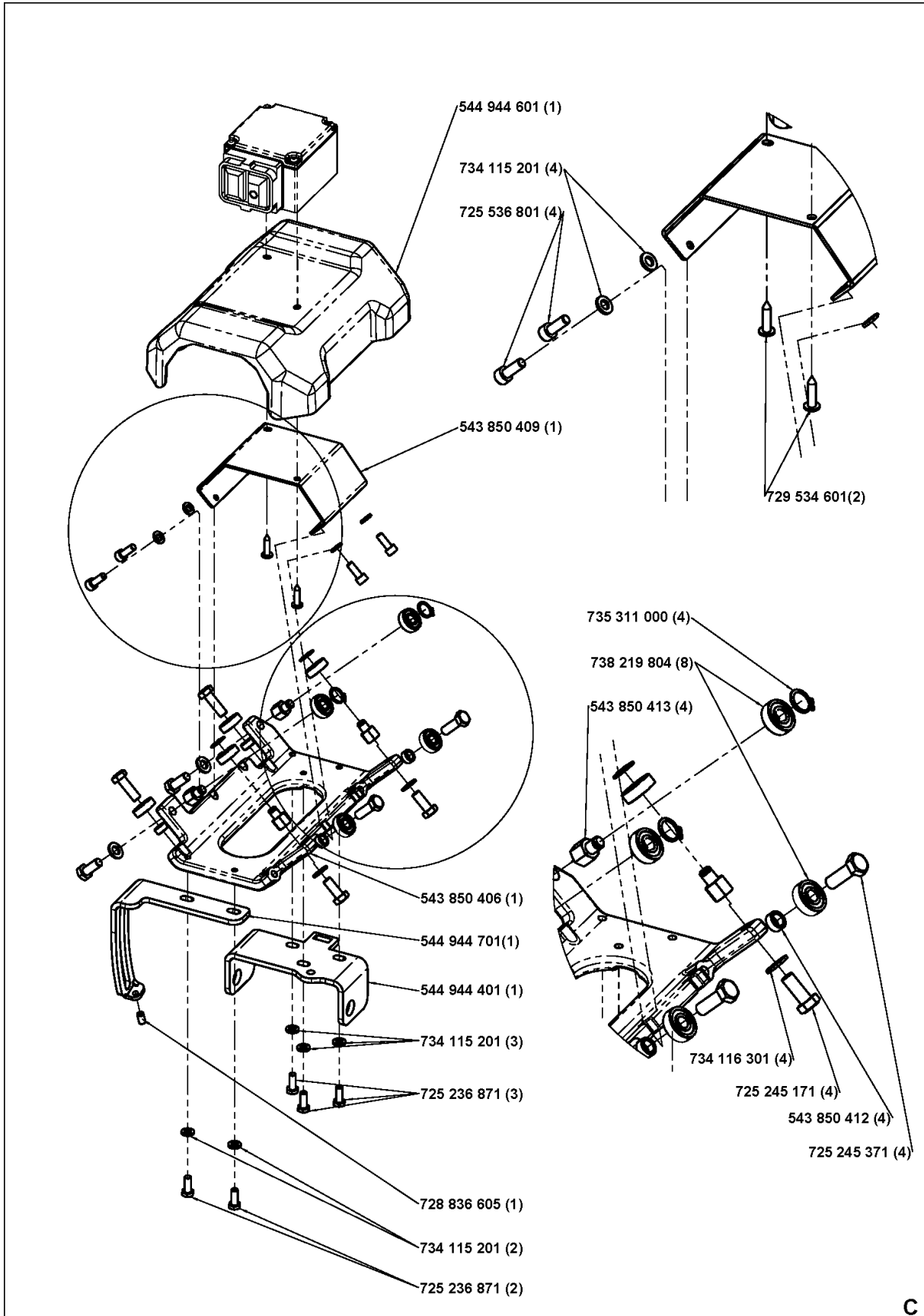
ELECTRICAL

TS73 R, 2008-06

Part No	Description	Remark	QTY KIT
115 02 99-20	ILLUSTRATED PARTS LIST		1
115 03 00-20	OPERATOR'S MANUAL		1
504 03 19-01	PUMP		1
504 03 19-02	PUMP		1
543 04 50-69	PRESSE ETOUPE PLASTIQ.D9/		1
543 04 50-74	CONTRE ECROU PLASTIQ.D9/G40090		1
543 04 51-31	SWITCH		1
543 04 51-32	SWITCH KOA8 110V/		1
543 04 52-36	COSSE BLEUE PLAG D4 BFM4/		2
543 04 55-77	HOSE		1
543 04 57-38	UTILISATION DE LA POMPE/		1
543 04 57-78	NOISE STICKER 66/		1
543 04 58-71	DECAL		1
543 04 68-92	MOTOR		1
543 04 68-93	MOTOR		1
543 07 22-45	STICKER		1
543 85 00-17	TIE STRAP		3
543 85 00-39	CONNECTOR		3
543 85 00-89	ELECTRIC ISOLATED PODMALE		2
543 85 02-17	STICKER		1
543 85 03-15	STICKER		1
543 85 04-28	BYPASS TEE FOR PUMP 25W		1
543 85 04-29	FILTER		1
543 85 04-55	ADAPTATOR FOR FILTER		1
722 78 18-03	RIVET		2



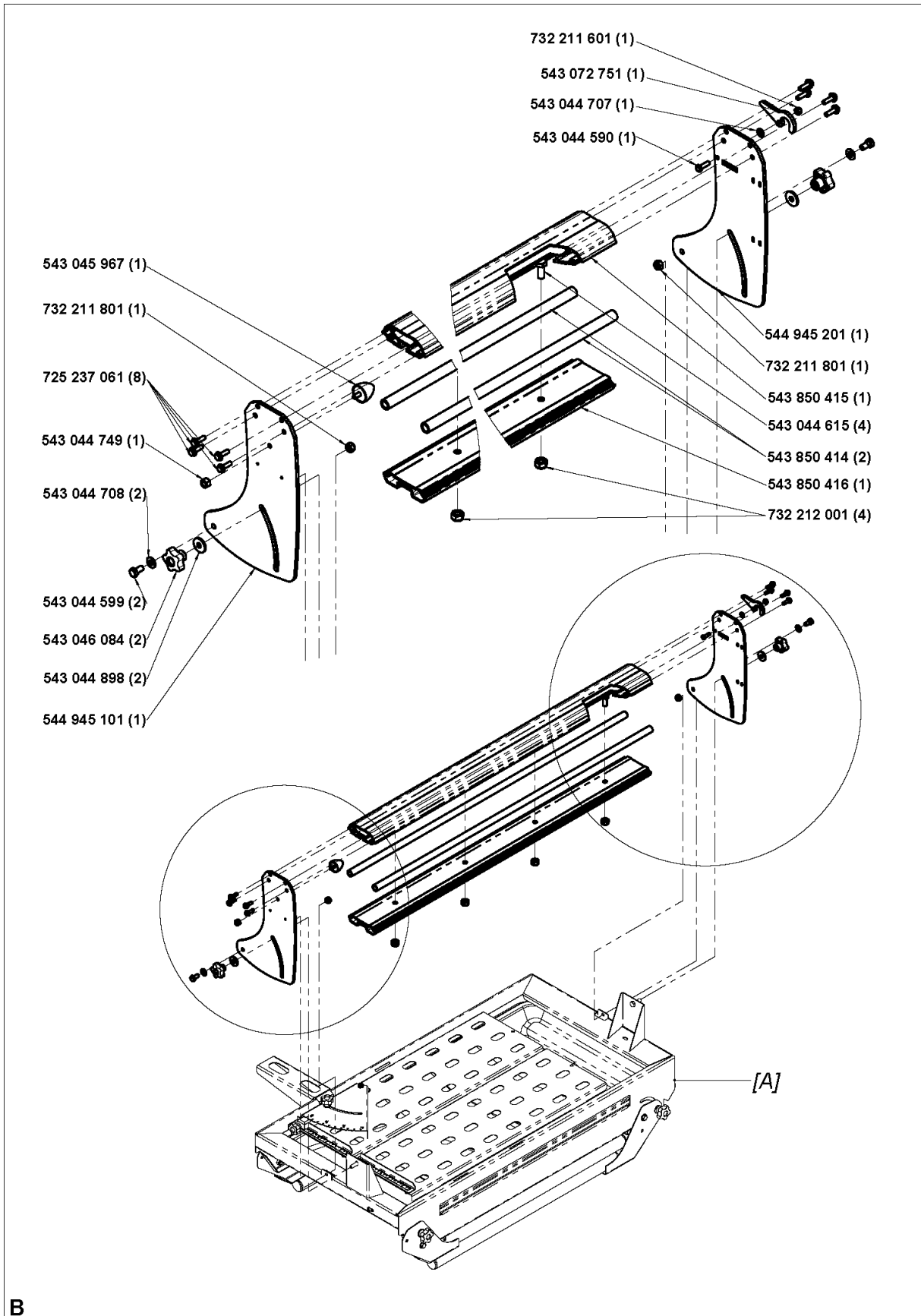
Ref	Part No	Description	Remark	QTY KIT
1	543 06 98-41	GUIDE		1
2	544 94 53-01	SUPPORT PLATE		1
3	543 07 20-05	RULER, LEFT, TS73R		1
4	724 33 68-51	SCREW CRCSFM		4
5	543 07 20-04	RULER, RIGHT, TS73R		1
6	543 05 94-30	MATERIAL STOP/TS73R		2
7	543 05 94-30	MATERIAL STOP/TS73R		2
8	543 85 04-17	TABLE		1
9	543 04 58-95	WRENCH		1
10	544 94 44-01	FRAME		1
11	543 85 04-54	STOPNUT, REAR		1
12	573850453	TBD		1
13	543 04 47-17	WASHER		4
14	735 21 53-01	LOCKWASHER		4
15	543 04 47-49	NUT		4
16	543 04 60-51	PLUG		1
17	544 94 43-01	TANK		1
18	544 94 45-01	LEGS		2
19	732 21 16-01	NUT		2
20	543 04 47-07	RONDELLE ACIER M6 BICHRO/		2
21	725 53 64-01	SCREW IHSCM		2
22	543 04 46-01	SCREW		4
23	732 21 18-01	LOCK NUT		4
24	543 85 02-11	WASHER		4
25	543 04 48-98	WASHER		4
26	543 07 28-45	FEET PADTS66R		8
27	543 04 47-08	WASHER		4
28	543 04 60-84	STEERING WHEEL		4
29	543 04 45-99	VIS TH 8/8 8X16 BICHROM/		4



FRAME

TS73 R, 2008-06

Part No	Description	Remark	QTY KIT
543 85 04-06	CARRIAGE, (MACHINED)SUPPORT BA		1
543 85 04-09	SWITCH SUPPORTTS73R-02		1
543 85 04-12	SPACER		4
543 85 04-13	ADJUSTMENT AXLE		4
544 94 44-01	FRAME		1
544 94 46-01	COVER LID		1
544 94 47-01	REINFORCEMENT PLATE		1
725 23 68-71	SCREW EHHM		3
725 23 68-71	SCREW EHHM		2
725 24 51-71	SCREW EHHM		4
725 24 53-71	SCREW EHHM		4
725 53 68-01	SCREW IHSCM		4
728 83 66-05	SCREW IHSETM		1
729 53 46-01	SCREW		2
734 11 52-01	WASHER		2
734 11 52-01	WASHER		3
734 11 52-01	WASHER		4
734 11 63-01	WASHER		4
735 31 10-00	CIRCLIP		4
738 21 98-04	BALL BEARING		8



RAIL

TS73 R, 2008-06

Part No	Description	Remark	QTY KIT
543 04 45-90	VIS TH 8/8 6X16 BICHROM/		1
543 04 45-99	VIS TH 8/8 8X16 BICHROM/		2
543 04 46-15	SCREW		4
543 04 47-07	RONDELLE ACIER M6 BICHRO/		1
543 04 47-08	WASHER		2
543 04 47-49	NUT		1
543 04 48-98	WASHER		2
543 04 59-67	SUPPORT ELASTIQUE DP3030/		1
543 04 60-84	STEERING WHEEL		2
543 07 27-51	BRACKET		1
543 85 04-14	RAIL		2
543 85 04-15	RAIL UP LG 900TS73R-02		1
543 85 04-16	RAIL DOWN LG 895TS73R-02		1
544 94 51-01	UPRIGHT		1
544 94 52-01	UPRIGHT		1
725 23 70-61	SCREW EHHFT		8
732 21 16-01	NUT		1
732 21 18-01	LOCK NUT		1
732 21 18-01	LOCK NUT		1
732 21 20-01	NUT		4