

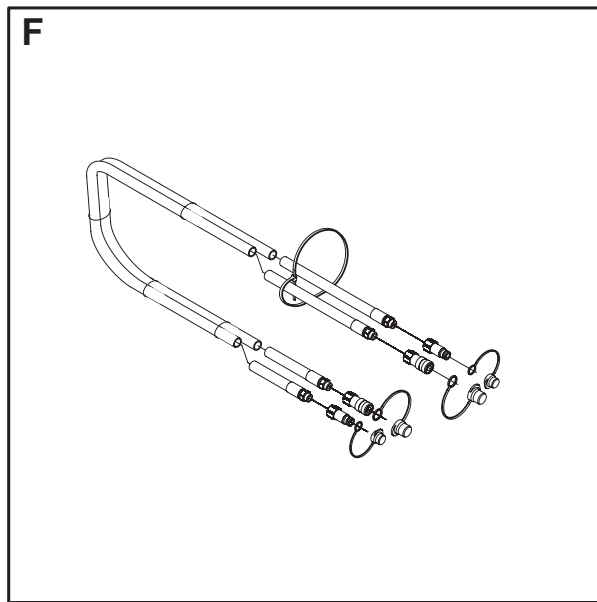
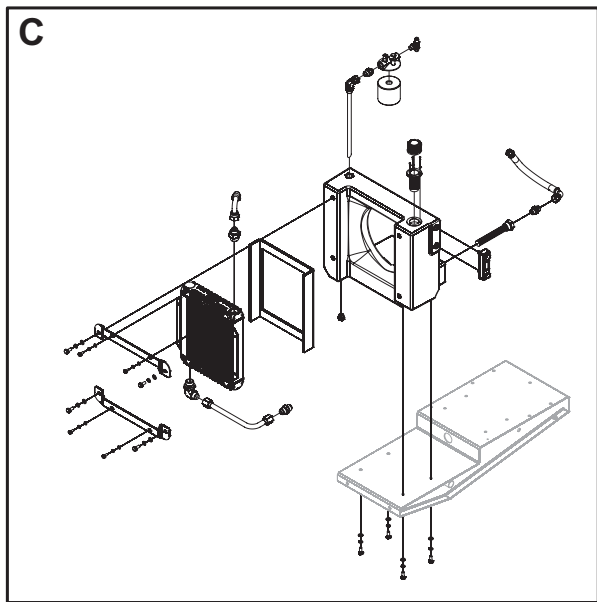
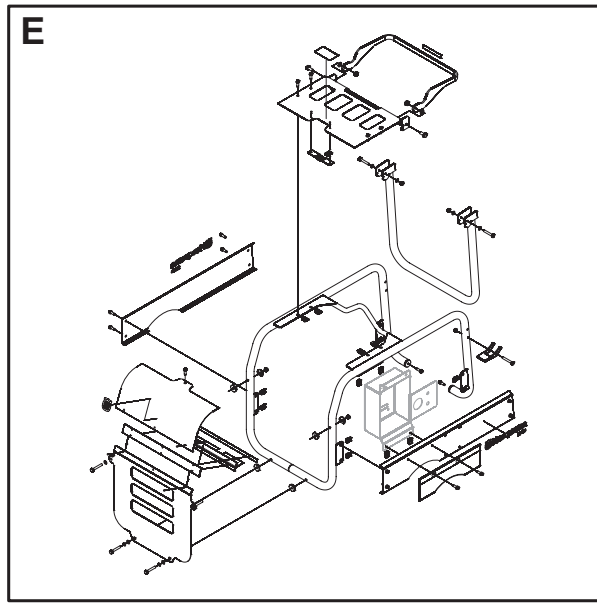
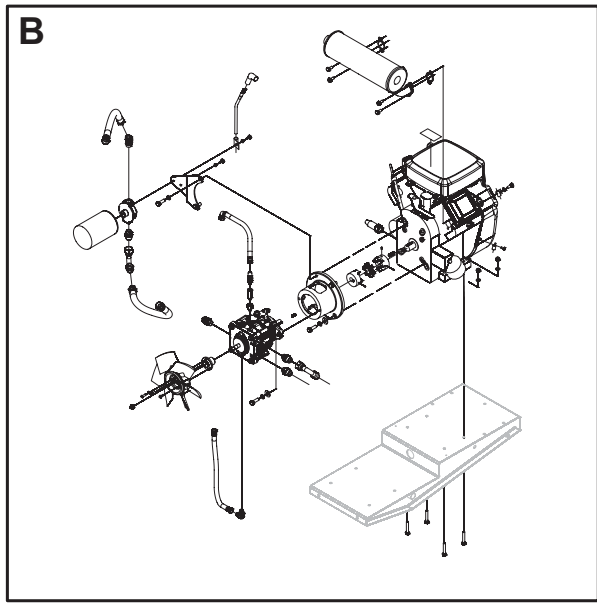
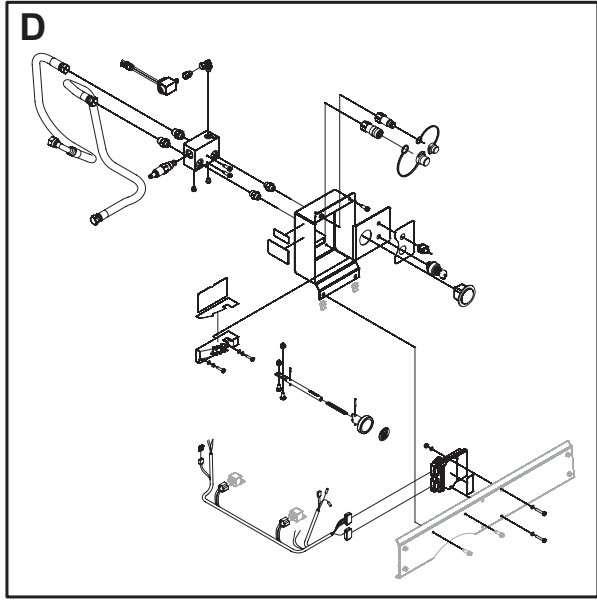
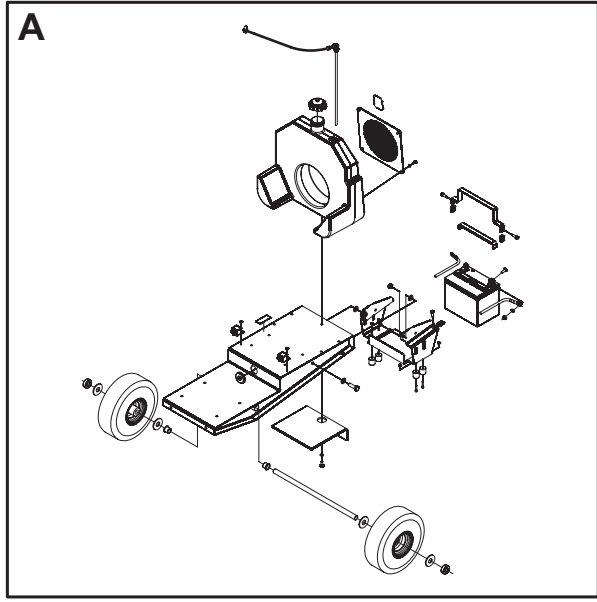
PP 418

Spare parts

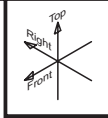
Pieces de rechange

Piezas de repuesto

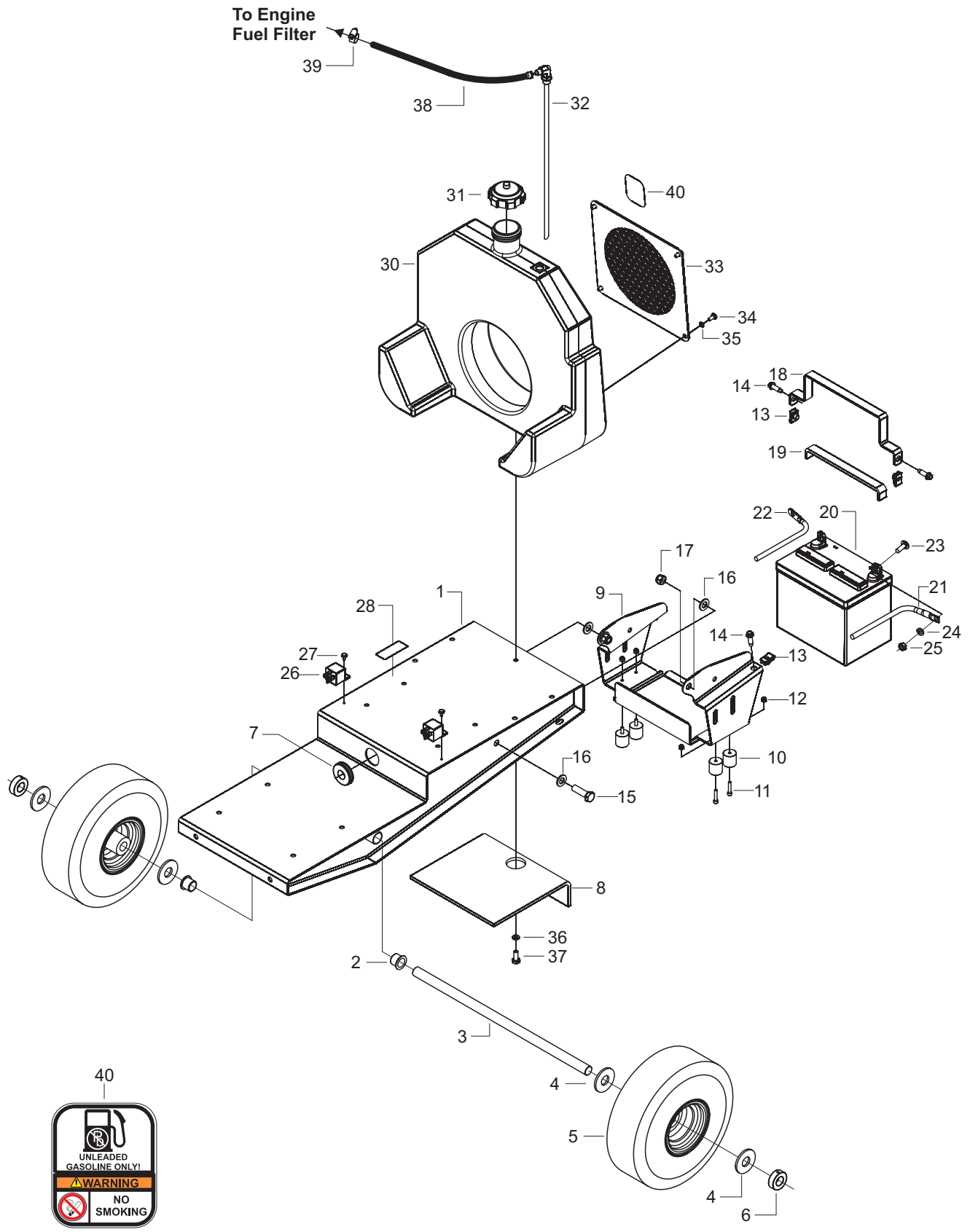
REFERENCE DIAGRAM



A Frame, Fuel Tank & Battery - PP418



07.18.08

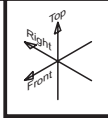


A**Frame, Fuel Tank and Battery, PP418
Parts List**

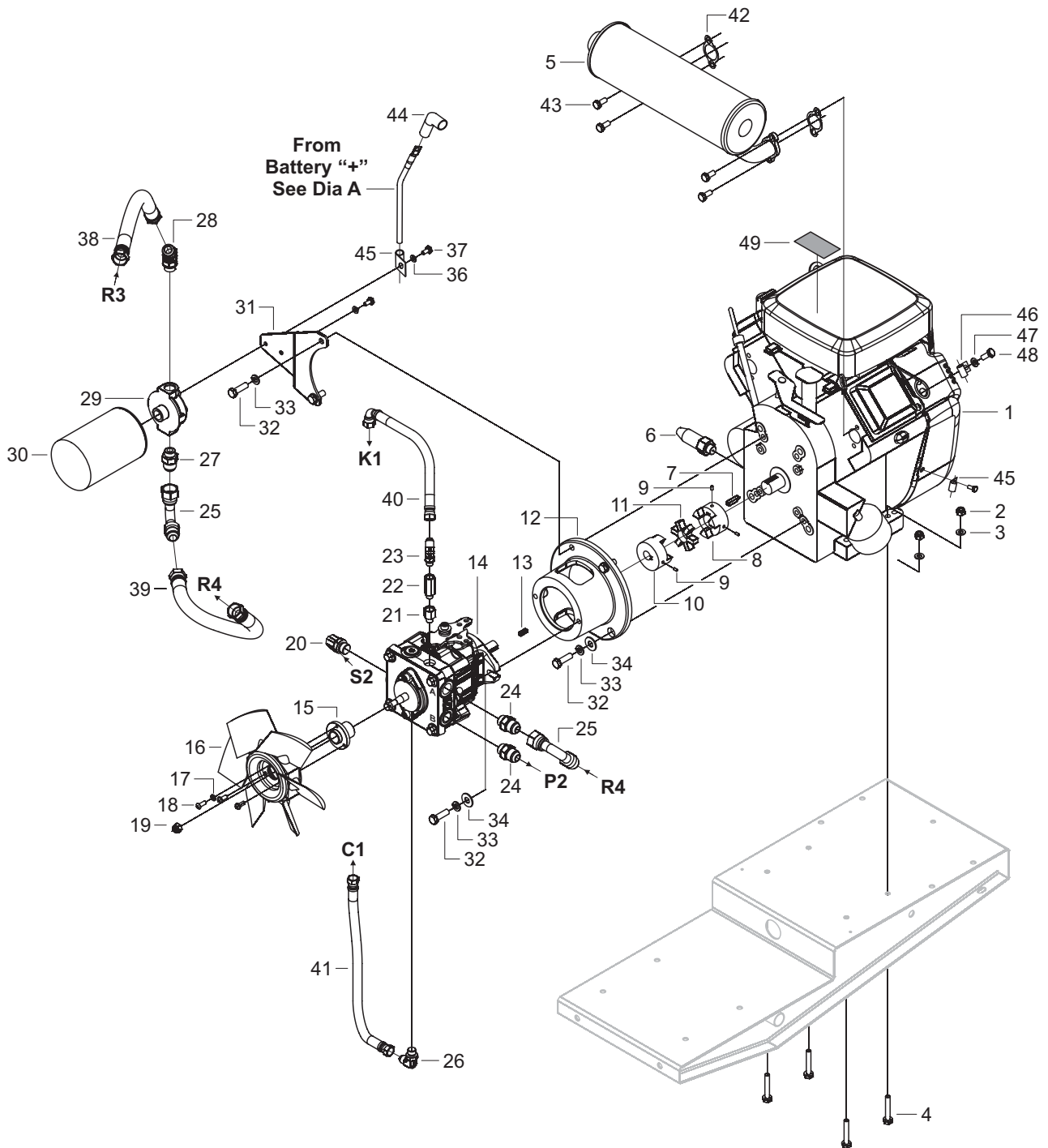
07.23.08

Pos.	Part No.	Description	Qty.	Notes
1	505185903	FRAME, BASE, PC-H-GRY	1	
2	541207613	BEARING, FLANGE	2	
3	541207519	AXLE	1	
4	020768	WASHER, FLAT SAE .75 Z/P	4	
5	169059	WHEEL, 410/350 x 4	2	
6	541201090	SET COLLAR, 3/4" Z/P	2	Includes 7
7	163672	GROMMET 3/4 I.D.	1	
8	510231401	INSULATOR, BATTERY, POST	1	
9	505203703	BRACKET, BATTERY PIVOT, PC H-GRY	1	
10	506013901	BUMPER, RUBBER, 1 OD x 1 LG	4	
11	172389	SBHCS, M5 x .8 x 18mm	4	
12	732251401	NUT, M5 X 0.8 HEX NYLOC Z/P	4	
13	167555	U-NUT, M8 x 1.25 (.8-4 mm MATL)	4	
14	542199053	HWH BODY BOLT W/DOG PT M8-1.25	4	
15	725253471	HHCS, M12 x 1.75 x 25mm, 8.8	2	
16	734117801	WASHER, FLAT M12, Z/P	4	
17	732252201	NUT M12 X 1.75 NYLOC	2	
18	505352601	BRACKET, BATTERY HOLDDOWN, Z/P	1	
19	510231402	INSULATOR, BATTERY, HOLD-DOWN	1	
20	139255	BATTERY, 12V WET 230CCA	1	
21	510033901	CABLE, BATTERY, POSITIVE	1	
22	182004	CABLE, BATTERY, NEGATIVE	1	
23	020015	CB, .3125-18 x 1 Z/P	2	
24	020785	LOCKWASHER, SPLIT .3125 (M8)	2	
25	020134	NUT, STD HEX .3125-18 Z/P	2	
26	166708	RELAY, NO/NC	2	
27	020587	HWHSTS, 10-24 x .375 TYPE F SL	2	
28		DECAL, SERIAL NO.	1	Located On Frame
29				
30	541207541	TANK, FUEL	1	
31	183106	GAS CAP w/o GAUGE	1	
32	541207584	FUEL LINE DRAW TUBE WELDMENT	1	
33	541207590	GRILL, HUSQVARNA GREY	1	
34	725236671	HHCS M6 x 1.0 x 12mm, 8.8 Z/P	4	
35	735115301	WASHER, LOCK M6 Z/P	4	
36	735116401	WASHER, M8 LOCK	5	
37	725245171	HHCS M8 X 1.25 X 20mm	5	
38	510202315	HOSE ASSY, FUEL .25"ID X 11"	1	
39	020049	HOSE CLAMP, WORM DRIVE SAE00	1	
40	541207622	DECAL, UNLEADED GASOLINE	1	

B Engine - Pump Assy - PP418



07.17.08



49

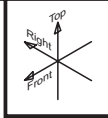


B**Engine - Pump Assy, PP418
Parts List**

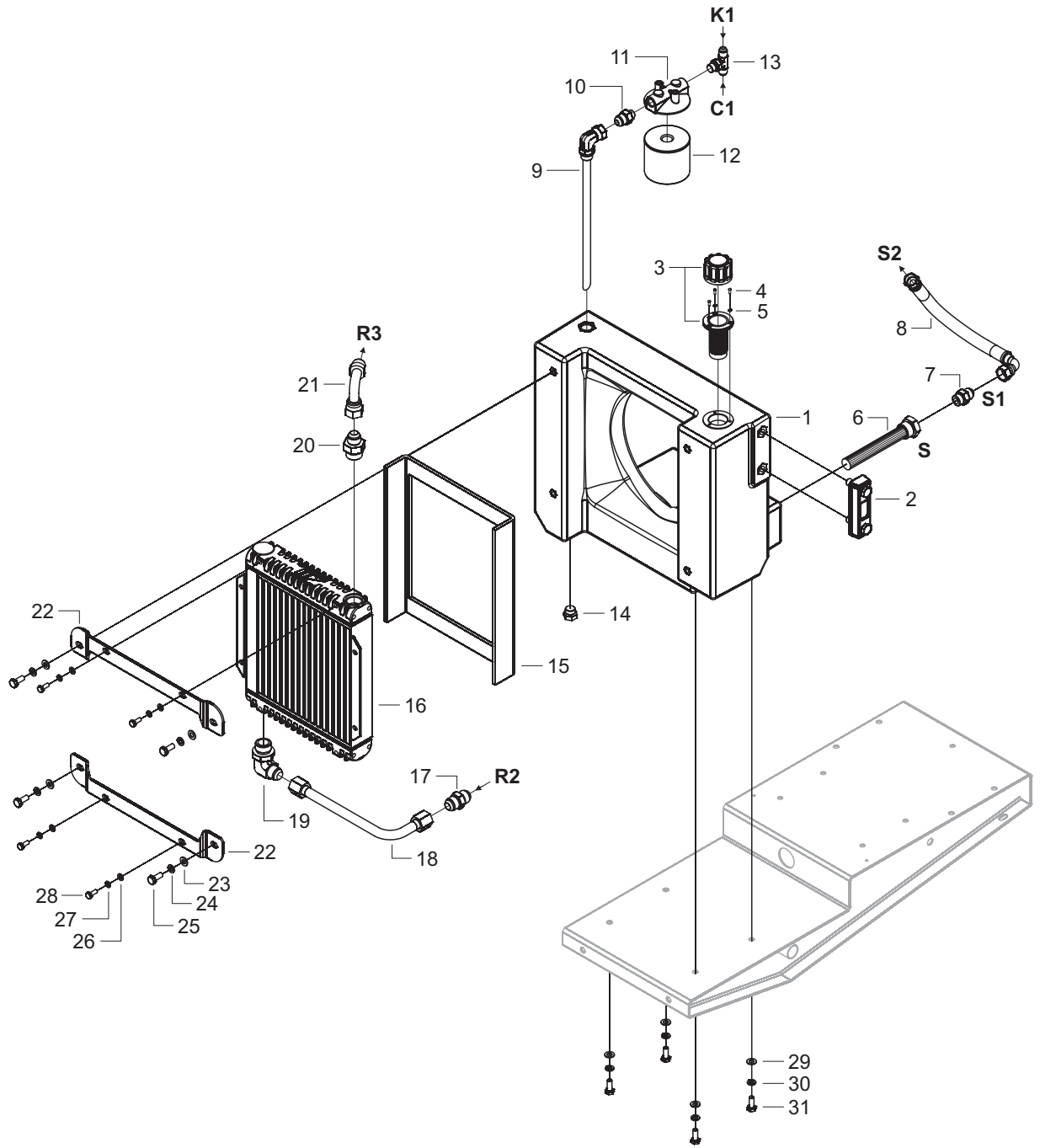
07.23.08

Pos.	Part No.	Description	Qty.	Notes
1	510023102	ENGINE MOD., B&S 18HP HS	1	Includes 42 & 43
2	732251801	NUT M8 X 1.25 NYLOC	4	
3	734116301	WASHER, M8 FLAT	4	
4	725246071	HHCS M8 X 1.25 X 45mm	4	
5	510019401	MUFFLER, SILENT EXHAUST	1	
6	166907	VALVE, OIL DRAIN	1	
7	510112201	KEY, BEVEL, .25 X .25 X 1.000	1	
8	541207339	CPLG, JAW, 1"BORE .25 KWY,L090	1	
10	541207509	COUPLING MODIFIED	1	
11	510206201	INSERT, CPLNG, HYTREL L090/095	1	
12	541207336	PUMP/ENGINE MOUNT MACHINING	1	
13	542199352	KEY 5mm Sq x 25mm	1	
14	510023001	PUMP, HYDRO	1	
15	505163802	ADAPTER, FAN HUB	1	
16	505163902	FAN, 6-BLADE, 9.00 DIA	1	
--	505163903	FAN, BLADE, 9.00 DIA - REPLACEMENT	6	Included with Item 16
--	505163904	PLATE, FAN BLADE RETAINER - REPLACEMENT	2	Included with Item 16
17	735115301	WASHER, LOCK M6 Z/P	3	
18	177096	SBHCS M5 x 0.8 x 12mm	3	
19	020198	LOCKNUT, FIBER .375-24 Z/P	1	
20	541204807	HYD.FIT., 6801-8	1	
21	510057002	HYD.FIT., 6410-6-4	1	
22	541207562	CHECK VALVE, IN LINE	1	
23	510057029	HYD.FIT., 6802-6-4	1	
24	510057001	HYD.FIT., 6400-10-8	2	
25	510057005	HYD.FIT., 6701-10	1	
25	510057005	HYD.FIT., 6701-10	1	
26	539300310	HYD.FIT., 6801-6	1	
27	510057001	HYD.FIT., 6400-10-8	1	
28	510057026	HYD.FIT., 6802-10-8	1	
29	510023201	FILTER HEAD - RETURN	1	
30	510023301	FILTER, SPIN-ON - RETURN	1	
31	505172402	BRKT, FILTER MOUNT, LARGE, Z/P	1	
32	539990563	BOLT, 3/8-16 X 1 HHCS GRADE 5	4	
33	539990118	WASHER, LOCK 3/8 SPRING ZP	4	
33	539990118	WASHER, LOCK 3/8	2	
34	539976941	HHCS, 3/8-16 X 1.25	2	
35	539990517	FLATWASHER, 3/8	2	
36	539990071	BOLT, 1/4-20 X 1/2 HHCS GRD 5	2	
37	539990052	WASHER, LOCK 1/4 ZP	2	
38	510202303	HOSE, H20110, 4311-10 BE, 16"	1	
39	510202304	HOSE,H20110,4311-10 BE, 19.5"	1	
40	510202312	HOSE, H20106, 4311-6 BE, 16"	1	
41	510202313	HOSE,H20106,4330-6,4311-6,10.5	1	
42	510024501	GASKET, EXHAUST - B&S 18HP HS	2	Included with Item 1
43	510024601	SCREW, EXHAUST - B&S 18HP HS	4	Included with Item 1
44	198119	BOOT,RUBBER,BATTERY CABLE,RED	1	
45	166672	CLAMP, VINYL COATED 1/4 x 5/16	2	
46	166674	CLAMP, VINYL COATED 3/8 x 3/8	1	
47	734116301	WASHER, M8 FLAT	1	
48	725244971	HHCS M8 X 1.25 X 16mm	1	
49	542169065	DECAL: MUFFLER	1	

C Hydraulic Tank Assy - PP418



06.23.08

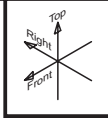


C**Hydraulic Tank, PP418
Parts List**

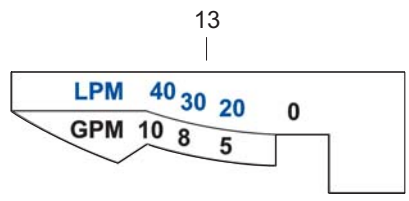
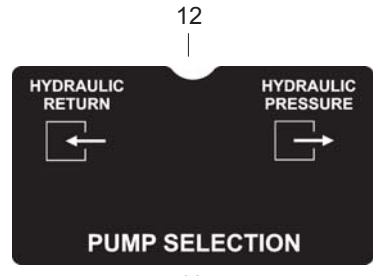
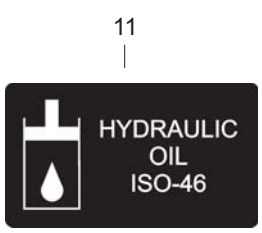
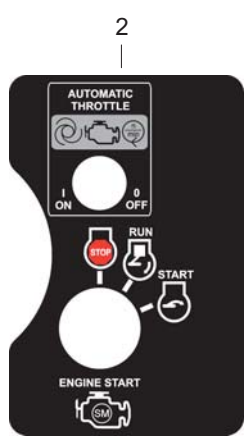
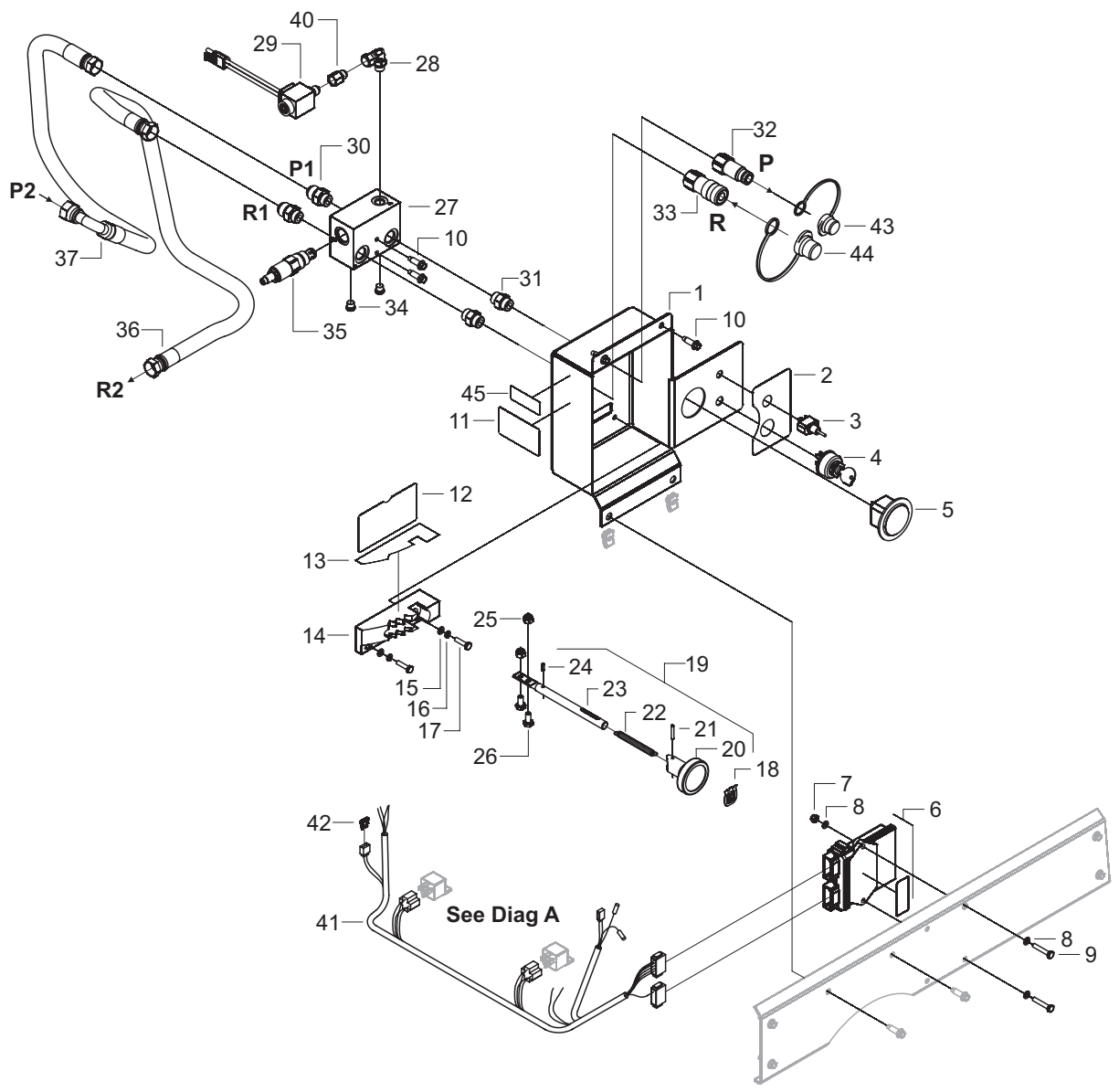
07.23.08

Pos.	Part No.	Description	Qty.	Notes
1	505155401	TANK, HYDRAULIC, PP418	1	
2	541207466	GAUGE, SIGHT	1	
3	510023701	FILLER, BREATHER, MINI	1	
4	020424	RHMS, #10-32 x .375 BRASS	3	
5	541204884	WASHER, LOCK #10 ZP	3	
6	541207523	SUCTION SCREEN	1	
7	541204975	HYD.FIT., 6400-8 STRIPE MCHN	1	
8	510202302	HOSE,H20108,4330-8,4311-8, 13"	1	
9	506006202	TUBE WELDMENT, RETURN LINE	1	
10	541205019	HYD.FIT., 6400-8-6	1	
11	166448	FILTER HEAD	1	
12	166449	FILTER, SPIN-ON	1	
13	510057030	HYD.FIT., 6803-6	1	
14	510057023	HYD.FIT., 6408-HHP-8	1	
15	505176002	SEAL, HEAT EXCHANGER TANK	1	
16	505175801	RADIATOR, HEAT EXCHANGER,PP418	1	
17	510057028	HYD.FIT., 2403-10-10	1	
18	510104902	TUBE ASSY, HEAT EXCHANGER	1	
19	510057006	HYD.FIT., 6801-10-12	1	
20	510057004	HYD.FIT., 6400-10-12	1	
21	510057005	HYD.FIT., 6701-10	1	
22	505175901	BRKT, HEAT EXCHANGER MTG, Z/P	2	
23	734116301	WASHER, M8 FLAT	4	
24	735116401	WASHER, M8 LOCK	4	
25	725245171	HHCS M8 X 1.25 X 20mm	4	
26	734115201	WASHER, M6 FLAT	2	
27	735115301	WASHER, LOCK M6 Z/P	4	
28	725236871	HHCS M6 X 1.0 X 16mm 8.8 Z/P	4	
29	734116301	WASHER, M8 FLAT	4	
30	735116401	WASHER, M8 LOCK	4	
31	725245171	HHCS M8 X 1.25 X 20mm	4	

D Control & Manifold Assy - PP418



07.23.08



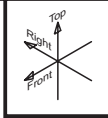
D

Control & Manifold Assy, PP418 Parts List

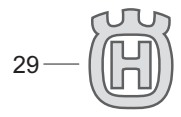
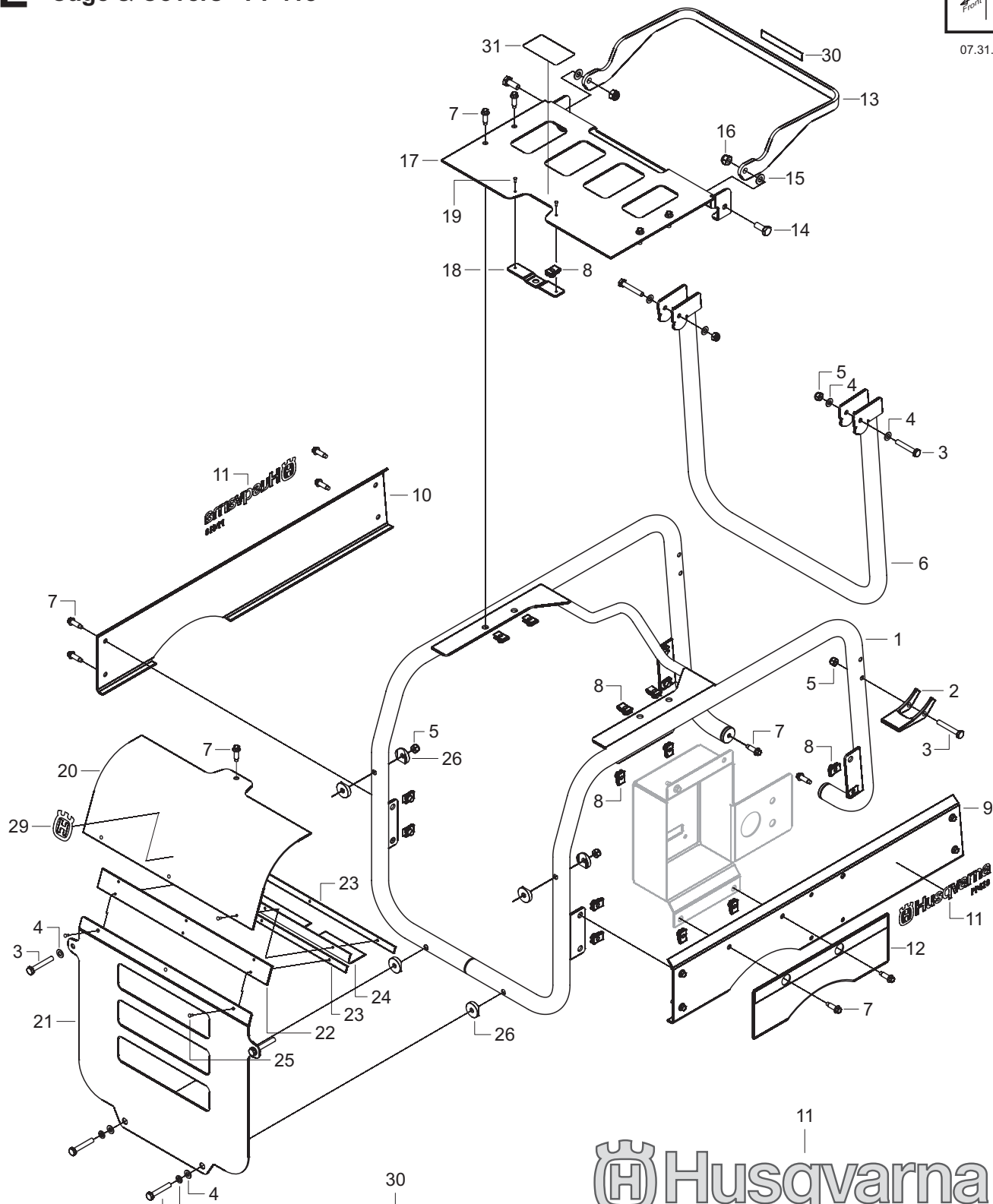
07.23.08

Pos.	Part No.	Description	Qty.	Notes
1	505203801	BRKT WELD,CNTRL PANEL,PC H-GRY	1	
2	510191001	DECAL, ENGINE START, PP418	1	
3	542199648	SWITCH, TOGGLE, SINGLE POLE	1	
4	542177920	KEYSWITCH w/KEY & HARDWARE	1	
5	541200529	HOUR METER	1	
6	506123504	CONTROL, GOVERNOR, 4500 MOD	1	
7	732251601	NUT M6 X 1.0 NYLOC	2	
8	734115201	WASHER, M6 FLAT	4	
9	725237401	HHCS M6 x 1.0 x 30mm, 8.8 Z/P	2	
10	542199053	HWH BODY BOLT W/DOG PT M8-1.25	2	
11	501987001	DECAL, HYDRAULIC OIL ISO-46	1	
12	510190901	DECAL, PP418, RETURN/PRESSURE	1	
13	510190902	DECAL, PP418, PUMP SELECTION	1	
14	510047901	PAD, PUMP SELECTION, PP418	1	
15	734115201	WASHER, M6 FLAT	2	
16	735115301	WASHER, LOCK M6 Z/P	2	
17	725237271	HHCS, M6 X 1.0 X 25mm, 8.8	2	
18	541207573	HUSQVARNA CROWN LOGO, 2.11"	1	
19	510043112	LEVER, PUMP CONTROL - CPL	1	Includes: 20 - 24
20	510047701	KNOB, PUMP LEVER, PP418	1	
21	542193919	PIN, ROLL .156 X 1.00	1	
22	510048001	SPRING, EXT Z/P .375x.062x3.50	1	
23	510047801	LEVER, PUMP SELECTION, Z/P	1	
24	510182401	PIN, ROLL .156 x .50	1	
25	732251801	NUT M8 X 1.25 NYLOC	2	
26	725244971	HHCS M8 X 1.25 X 16mm	2	
27	505004302	MANIFOLD, PP418	1	
28	510057025	HYD.FIT., 6809-6-6	1	
29	520292501	SWITCH, PRESSURE - NO	1	
30	510057001	HYD.FIT., 6400-10-8	2	
31	541207543	HYD.FIT., 6403-8-8	2	
32	541207544	FITTING FF-371-8FO	1	
33	541207545	FITTING FF-372-8FO	1	
34	184893	HYD.FIT., 6408-HHP-4	2	
35	520291701	VALVE, CARTRIDGE RELIEF	1	
36	510202305	HOSE, H20110, 4311-10 BE, 36"	1	
37	510116801	HOSE,100R17,10FJ,10FJ90,33.5"	1	
38	506114401	CAP, DUST	1	
39	506173701	PLUG, DUST	1	
40	521937401	ADAPTER, 6FORB - 6MJIC	1	
41	502304804	HARNESS, WIRE PP418 B&S ENGINE	1	
42	166855	FUSE, 10 AMP	1	
43	506114401	CAP, DUST	1	
44	506173701	PLUG, DUST	1	
45	N/A	DECAL, SERIAL NO.	1	Located On Control Box

E Cage & Covers - PP418



07.31.08



NO LIFT **WARNING**
DO NOT LIFT FROM THIS POINT.

WARNING
Muffer Is HOT!
May Cause Burns And / Or
Ignition Of Material.
Avoid Contact!

Husqvarna
PP418

WARNING / AVERTISSEMENT / ADVERTENCIA / WARNING / AVERTENCIA / ATENCION / WAARSCHUWING

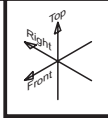
- Read manual / Lire el manual / Lea el manual / Read the manual / Leia o manual / Lesen Sie die Bedienungsanleitung
- Use only in well-ventilated areas. / Utilice en un lugar muy bien ventilado. / Use only in well-ventilated areas. / Utilize em locais muito bem ventilados. / Use only in well-ventilated areas. / Utilizzare in luoghi molto ben ventilati. / Use only in well-ventilated areas. / Utilizar em locais muito bem ventilados.
- Use only in well-ventilated areas. / Utilice en un lugar muy bien ventilado. / Use only in well-ventilated areas. / Utilize em locais muito bem ventilados. / Use only in well-ventilated areas. / Utilizzare in luoghi molto ben ventilati. / Use only in well-ventilated areas. / Utilizar em locais muito bem ventilados.
- Always wear approved equipment. / Siempre use equipo aprobado. / Always wear approved equipment. / Sempre use equipamento aprovado. / Always wear approved equipment. / Sempre use equipamento aprovado. / Always wear approved equipment. / Sempre use equipamento aprovado. / Always wear approved equipment. / Sempre use equipamento aprovado.
- Do NOT operate near combustible material. / No operar dentro de un lugar inflamable. / Do NOT operate near combustible material. / Não opere dentro de um local inflamável. / Do NOT operate near combustible material. / Não opere dentro de um local inflamável. / Do NOT operate near combustible material. / Não opere dentro de um local inflamável. / Do NOT operate near combustible material. / Não opere dentro de um local inflamável.
- Machinery Hazard - Always keep all guards in place. / Peligro de maquinaria - Siempre mantenga todos los guardas en su posición. / Machinery Hazard - Always keep all guards in place. / Perigo de maquinaria - Sempre mantenha todos os guardas em sua posição. / Machinery Hazard - Always keep all guards in place. / Pericolo di macchinario - Sempre mantenga tutti i guardi in posizione. / Machinery Hazard - Always keep all guards in place. / Perigo de maquinaria - Sempre mantenha todos os guardas em sua posição.

E**Cage & Covers, PP418
Parts List**

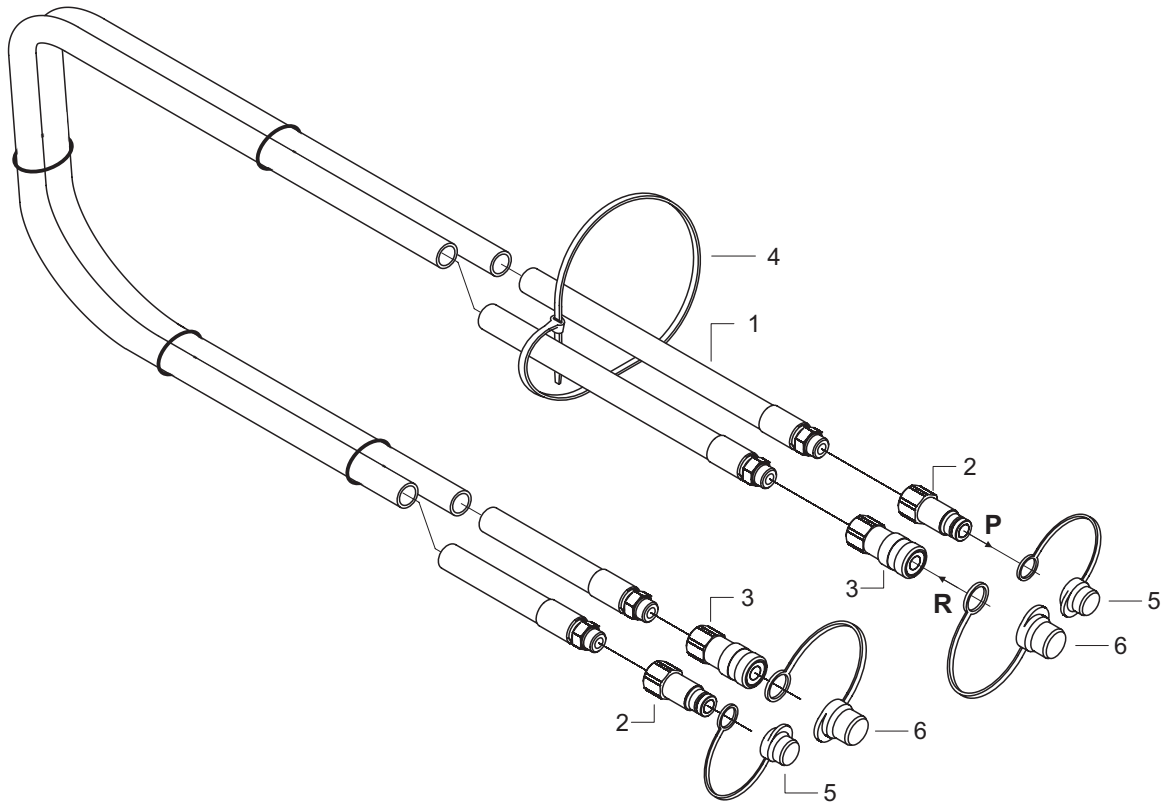
07.23.08

Pos.	Part No.	Description	Qty.	Notes
1	505191004	FRAME, CAGE WELDMENT	1	
2	541207569	HANDLE LOCK, MACHINING	1	
3	725246271	HHCS M8 X 1.25 X 55	5	
4	734116301	WASHER, M8 FLAT	8	
5	732251801	NUT M8 X 1.25 NYLOC	5	
6	505190703	WELDMENT, HANDLE	1	
7	542199053	HWH BODY BOLT W/DOG PT M8-1.25	13	
8	167555	U-NUT,M8 x 1.25 (.8-4 mm MATL)	17	
9	505194301	PANEL, SIDE, LH - PC HUSQ ORG	1	
10	505194303	PANEL, SIDE, RH - PC HUSQ ORG	1	
11	510044001	DECAL, HUSQVARNA PP418	2	
12	510190801	DECAL, WARNING/READ MANUAL	1	
13	505266601	BRACKET, HOSE BAIL	1	
14	725249371	HHCS M10 X 1.50 X 25mm 8.8 Z/P	2	
15	734117201	WASHER, M10 FLAT, STEEL, Z/P	2	
16	732252001	NUT M10 X 1.50 NYLOC	2	
17	505194803	PANEL, FIXED	1	
18	510225701	PLATE,BACKING, HOOD PANEL, Z/P	1	
19	169430	RIVET, POP 1/8 x 3/8 ALUM.	2	
20	505194903	PANEL, HOOD	1	
21	505194703	PANEL, GRILL	1	
22	505194101	HINGE, DOOR	1	
23	505194201	PLATE, RIVET - Z/P	2	
24	505176004	SEAL, HEAT EXCHANGER TOP	1	
25	722794402	RIVET, POP, 4.0 DIA x 12.1L	6	
26	542202184	WASHER, TUBE, 8mm, Z/P	6	
27	725246151	HHCS M8 x 1.25 x 50 G8.8	2	
28	735116401	WASHER, M8 LOCK	2	
29	504040201	DECAL, HUSQVARNA CROWN H,35mm	1	
30	541207621	DECAL, NO LIFT	1	
31	542169065	DECAL, MUFFLER	1	

F Hose Sets - PP418



07.23.08



Pos.	Part No.	Description	Qty.	Notes
--	510202306	SET, HOSE ASSY, 1/2" X 25'	1	Replacemet comes Un-Filled
1	510202307	HOSE ASSY, 1/2" X 25 FT	2	
2	541207545	FITTING FF-372-8FO	2	Male
3	541207544	FITTING FF-371-8FO	2	Female
4	166214	CABLE TIE	4	
5	506114401	CAP, DUST	2	
6	506173701	PLUG, DUST	2	
Optional Hose Sets				
--	510202308	SET, HOSE ASSY, 5/8" X 25'	1	Replacemet comes Un-Filled
1	510202309	HOSE ASSY, 100R17, 5/8" X 25 FT	2	
2	541207545	FITTING FF-372-8FO	2	Male
3	541207544	FITTING FF-371-8FO	2	Female
4	166214	CABLE TIE	4	
5	506114401	CAP, DUST	2	
6	506173701	PLUG, DUST	2	
--	510202310	SET, HOSE ASSY, 5/8" X 50'	1	Replacemet comes Un-Filled
1	510202311	HOSE ASSY, 100R17, 5/8" X 50 FT	2	
2	541207545	FITTING FF-372-8FO	2	Male
3	541207544	FITTING FF-371-8FO	2	Female
4	166214	CABLE TIE	9	
5	506114401	CAP, DUST	2	
6	506173701	PLUG, DUST	2	

Husqvarna Construction Products N. A.
Corporate Office
17400 West 119th Street
Olathe, Kansas 66061
Tel. 913-928-1000
Fax 913-438-7951

Customer Service: 800-288-5040
Customer Serv. Fax: 800-825-0028



Printed in the USA