

FS 6600

Spare Parts

Piezas de repuesto

Pieces de rechange

Ersatzteile

Reserveonderdelen

Ricambi

Peças sobresselente

Reservdelar

FS 6600 D

PART NO.	POS.	DESCRIPTION	PART NO.	POS.	DESCRIPTION
015 70 05-06*	E,F1	Hose Clamp, Worm Drive SAE 104	504 86 17-01	G,H	Lever, Adjustable Clamping
015 70 05-37*	Q1,T	Hose Clamp, Worm Drive SAE 285	504 87 16-01	X2	Blade Guard, Front 20"
015 70 13-80*	W	Hose Clamp, Worm Drive SAE 56	504 87 17-01	X2	Blade Guard, Rear 20"
501 04 68-02	X3	Tube, Water 26" Bld/Grd	505 18 91-01	Q1	Bracket, Rope
501 04 70-02	X3	Tube, Water 30" Bld/Grd	505 28 30-01	AB	Flange, Inner, 8" B/O
501 04 71-02	X3	Tube, Water 36" Bld/Grd	505 28 31-01	AB	Bladeshaft, Side Plunge
501 04 73-01	X2,X3	Manifold Block, Water	505 28 31-02	AB	Bld Sft, Side Plunge, w/Flg & Ply
501 35 61-01	A	Tube, Hood - RH	505 28 32-01	R1,AB	V-Belt, 3VX475 4-Band
501 36 88-01	A	Tube, Hood - LH	505 28 95-01	U1	Pump, Hydro
501 38 83-01	AC	Catalytic Converter - FS6600	505 41 69-01	AB	Bearing, Ball 55 mm
501 97 09-01	A	Hood, Front - FS6600	505 41 72-01	AB	Tube, Bladeshaft, 55mm
501 97 12-01	A	Crown Piece, Hood H. Grey	505 41 73-01	AB	Flange, End Cover, 90 mm
501 97 69-02	A	Bracket, Tube Cross	505 41 74-01	AB	Pulley, 3VX 4.75 x 8 Gr
501 98 71-02	Q1	Shield, Fan, RH	505 42 24-01	AB	Flange, Inner, 5" B/O
502 08 19-02	Q1	Shield, Fan, LH	505 49 00-04	U1	Arm, Speed Control
502 28 75-01	M	Bracket, Pointer H. Grey	505 49 70-14	AB	Bladeshaft, Side Plunge - Compl
502 29 02-01	A	Clip, Spring Tube, Latch	505 53 19-01	R1,R2,AB	Pin, Dowel .375 x 1.5
502 29 04-01	Q1,AC	Support, Muffler, Black	505 55 11-01	C	J-Bolt, .25-20 x 7.25"
502 29 32-01	P4	Bracket, Z-Pattern, FS6600, Black	505 57 29-01	P1	Starter, JD 12 VDC
502 29 81-01	P4	Arm, Shift Connector, Black	506 49 29-01	O1	Bearing, 1.25" Tapped Base
502 29 82-01	P3	Guard, Belt, Black	521 88 53-01	Q1	Decal: Oil Fill - Round
502 44 31-01	A	Bracket, Latch Side - Black	521 88 53-02	Q1	Decal: Oil Overfill
502 47 10-01	AC	Decal, Catalytic Converter	539 10 13-31	G,H	Locknut, Fiber 1/2-13
504 00 21-01	X4	Block, Water Manifold	539 10 25-35	N1	Cap, Grease
504 00 80-02	Q1	Shield, Alternator, Black	539 10 26-53	R2	Washer, Flat 5/8
504 01 60-02	Q1	Shield, Fan, Top RH H. Grey	539 30 00-11	L2,Y	Clamp, Hose SAE006
504 01 62-02	Q1	Bracket, Engine Foot, RH Black	539 30 00-69	K	Filter, Fuel, Inline 5/16"
504 01 82-02	X4	Blade Guard, Rear, 42" H. Grey	539 30 01-11	F1,F2	Plug, Hole, 1/2"
504 01 90-02	X4	Tube, Water, 42" Blade Guard	539 30 01-13	Y	Boot, Switch, Grey
504 01 91-02	X4	Blade Guard, Front, 42" H. Grey	539 30 01-23	O1,R1,R2	Collar, Set, 1" I.D.
504 01 94-01	X4,X5	Blade Guard, Slip-On, 42" - Compl	539 30 01-33	R1,R2	Wrench, 15/16" Open End
504 01 96-02	Q1	Bracket, Engine Foot, LH Black	539 30 02-43	L2	Pipe Fit., Close Nipple, 1/2"
504 06 12-01	D	Pointer, Rear - Husq Grey	539 30 02-68	I	Pin, Cotter, 3/16 x 1"
504 09 90-03	A	Panel, Side LH - Compl	539 30 02-69	L2	Hyd. Fit., 3/4" FGH x 1/2" FPT
504 09 92-03	A	Panel, Side RH - Compl	539 30 03-04	P1	Pin, Pivot
504 11 97-04	R2	V-Belt 3VX545 4-Band	539 30 03-06	P1	SHSS, 10-32 x 1/4"
504 11 97-06	R2	V-Belt 3VX570 4-Band	539 30 03-10	U1,V1	Hyd. Fit., Elbow 6MJIC x 6SAE
504 11 98-01	F2	Decal, TACH, 26-42"	539 30 03-40	G,H	Bar, Handle
504 11 98-02	F2	Decal, 3-Spd Gearbox, 26-42"	539 30 04-40	Q1	Cap, Bolt, 5/8 UHMW
504 11 98-07	F2	Decal, 3-Spd Gearbox, 14-26"	539 30 11-53	I	Switch, Depth Stop
504 11 98-08	F2	Decal, 3-Spd Gearbox, 18-30"	539 30 13-66	I	Locknut, Fiber #6-32
504 11 98-09	F2	Decal, 3-Spd Gearbox, 20-36"	539 30 13-67	I	RHMS, #6-32 x 1, Slotted
504 12 29-01	E	Decal, Operating FS6600, STD	539 97 69-34	V1	HHCS, 5/16-18 x 3/4
504 12 29-02	E	Decal, Operatrng, FS6600, CE	539 97 69-79	I,Q1	Locknut, Fiber, 3/8-16
504 20 91-01	Q1	Support, Hood, H. Grey	539 97 69-82	R2,X5	Washer, Flat, 5/8 SAE
504 53 75-01	P4	Pipe Fit., Expander/Extender	539 99 00-52	V1	Washer, Lock, 1/4
504 53 96-01	P4	Fitting, Breather	539 99 00-55	C,P1,U1	Washer, Flat 1/4
504 54 29-01	X5	Bracket, Blade Guard 42"	539 99 00-71	V1	HHCS, 1/4-20 x 1/2
504 54 39-01	X5	Bracket, Brace 42"	539 99 01-18	P1,V1	Washer, Lock, 3/8
504 54 43-01	X5	Rod, Threaded, M16-2.0 x 150	539 99 01-22	I	Washer, Flat 3/8 SAE
504 54 55-01	P4	Handle, 3-Speed Shifter	539 99 01-34	P1	HHCS, 3/8-16 x 3/4
504 54 85-01	P4	Hyd Fit., Elbow 1/2"H x 3/8" MPT	539 99 01-87	P4,V1	Washer, Lock 5/16
504 54 86-01	P4	Pipe Fit., St. Tee, 3/8" NPT	539 99 02-09	P4	HHCS, 5/16-18 x 1"
504 54 87-01	P4	Hyd Fit., Str Conn 1/2"MPT x 3/8" NPSM	539 99 02-50	D	Washer, Flat 1/2 SAE
504 54 88-01	P4	Valve, Drain	539 99 02-54	D,Q2	Washer, Lock, 1/2
504 55 83-01	X5	Kit, Blade Guard, Slip-On, 42"	539 99 02-58	P4	Nut, Hex, 1/2-13
504 55 84-01	X5	Kit, Blade Guard Attachment - 42"	539 99 03-33	Q1,R2,AB	Washer, Lock 5/8
504 55 85-01	C,X5	Spacer, Spade - Narrow	539 99 05-55	P1	Pin, Cotter, 3/32 x 1/2"
504 55 97-01	A,P4	Decal, Gearbox Operation	539 99 06-37	I	HHCS, 3/8-16 x 2-1/2
504 57 16-01	I	Pointer, Depth Indicator	540 07 12-01	N1	Axle, Rear Pivot
504 58 03-02	C	Loop, Chain, Tiedown	541 20 05-21	P1	Clip, Throttle Cable
504 58 79-01	P4	Rod, Shifter Lockout	541 20 05-23	Z	Grommet, Frame
504 59 22-06	P4	Arm, Lockout, FS6600	541 20 05-33	I	Bearing, Flange
504 59 22-07	P4	Link, Lockout Arm, FS6600	541 20 06-42	W	Clamp, Hose, SAE44
504 59 92-01	P4	Padlock w/ Key	541 20 08-01	NS	Mount, Cable Tie
504 61 35-02	A	Plate, Hood Lock - CE	541 20 08-47	R2	V-Belt, 3VX560 4-Band
504 61 35-05	A	Hook, Hood Lock - CE	541 20 09-89	W	Gauge, Air Flow Restriction
504 62 48-01	Q1	Shield, Heat - CE	541 20 15-93	F1,F2	Switch, Toggle, DPDT, 3-Pos.
504 62 84-01	B,H	Decal, Depth Indicator CE	541 20 20-61	I	Pulley, Depth Indicator
504 63 01-01	B	Decal, Depth Indicator Setting CE	541 20 45-91	Y	Pipe Fit., St. Elbow 3/4"
504 73 22-01	P1	Belt, Serpentine	541 20 46-61	Y	Pipe Fit., 3/4"MGH x 3/4"FPT
504 73 23-01	P1	Pulley, Crankshaft	541 20 46-72	S	Pipe Fit., Coupling, 1/8"
504 79 66-01	AB	Blade Guard, Husq, Grey	541 20 47-56	U1,U2	Hyd. Fit., Str 6JICx6SAE
504 83 94-01	C,X5	Spade, Slip-On, Rear, H. Grey	541 20 47-68	U1,V1	Hyd. Fit., 90° Elbow 4JIC x 6SAE
504 85 56-01	Z	Lamp, 12V	541 20 47-80	U1	Washer, Flat 5/16
504 85 77-01	X2	Blade Guard, 20" - Compl	541 20 48-06	U1	Hyd. Fit., 90° Elbow 8SAEx6JIC
504 85 81-01	X2	Tube, Water 20" Bld/Grd	541 20 48-55	L2,P2,AB	Hyd.Fit., 3/4"MGH x 1/2"MPT

NOTE: Part No's. that have an ASTERISK (*) suffix may not be active 9-digit numbers. The '542' prefix has been added to current 6-digit part numbers and '0' to 7 and 8-digit numbers.

FS 6600 D

PART NO.	POS.	DESCRIPTION	PART NO.	POS.	DESCRIPTION
541 20 48-70	P1,P3	Hyd. Fit., Hose Barb 1/2"H x 1/2"MPT	542 02 07-66*	M,U1	Washer, Flat 1/2 SAE
541 20 49-11	V1	Hyd. Fit., 6JIC Cap	542 02 07-67*	C,D,Q1,R1,X3,AB	Washer, Flat 5/8 SAE
541 20 49-25	S	Pipe Fit., Nipple 1/8 x 2-1/2 Galv	542 02 07-82*	NS	Washer, Lock, #10
541 20 49-83	V1	Hyd. Fit., Run Tee - 6JIC	542 02 07-90*	R1	Washer, Lock, 5/8
541 20 49-91	N1	Hyd. Fit., Str. Conn 6MJIC x 10SAE	542 02 08-27*	AB	Pipe Fit., 90 Elbow, 1/2"
541 20 50-11	O2,V1	Hyd. Fit., Str. Conn 4MJIC x 4SAE	542 02 08-53*	AB	Pipe Fit., SH Plug, 3/8 NPT
541 20 52-53	F1,F2	Locknut, Fiber #10-32	542 02 08-64*	X1	Pipe Fit., Plug 1/8"
541 20 52-88	D,N1	Locknut, Fiber, 1/2-20	542 02 08-90*	M	Cord, Sash, 1/4 Dia #85 (Per Foot)
541 20 53-01	M	HHCS, M16 x 2.0 x 80	542 03 08-22*	D,I	Wheel, Cart
541 20 66-91	AC,Q1	Clamp, Exhaust 3.3 Turbo	542 03 23-66*	D,I	Nut, KEPS 5/16"-18
541 20 68-88	R1,R2,S	Flange, Inner 5" Dia, 18"-26"-30"	542 04 02-61*	L2	Valve, Ball 1/2"FPT
541 20 69-43	P1	Coupling, Flywheel	542 04 02-75*	X1,X3,X4	Hyd Fit., .375"MPT x .75MGH
541 20 71-00	R1,R2	Kit, Sheave Puller	542 04 03-30*	E	Spring, .054 x .375OD x 3.5
541 20 71-05	P2,Q1	Guard, Belt, JD, Black	542 04 11-75*	O1	Fit., Grease Zerk
541 20 71-91	N1	Rear Axle, Black, FS6600/8400D	542 04 31-45*	AB	Spring, Blade Guard
541 20 80-06	S	Cover, Flange End	542 04 32-03*	M	Clamp, Cord 1/2"
541 20 80-22	S,AB	O-Ring, -044	542 04 56-40*	L2	Filter-Washer
541 20 82-96	X6	Fitting, Hose 3/8" x 3/4" GHT	542 04 61-01*	X1,X2,X3,X6	Washer, Fiber 1"ODx.406 IDx.094
541 20 83-45	X2,X3,X6	Spring w/ 90° Hook	542 04 61-28*	X1,X2,X3,X4,X6,AB	Decal, Warning (Blade Guard Size)
541 20 83-49	X6	Blade Guard, 14"	542 04 64-02*	O1	Washer, Flat 1.03125
541 20 83-50	X6	Handle, Blade Guard	542 04 64-25*	M	Washer, Bow
541 20 83-57	X2	Latch, Blade Guard	542 04 80-78*	O1	Collar, Set 1" w/ SS
541 20 83-63	X6	Tube, Water 14" Bld/Grd	542 04 87-40*	V1	HHCS, .375-16 x 1.25 GR 5 Z/P
541 20 83-66	X6	Blade Guard, 14" - Compl	542 04 88-78*	AB	Manifold, Water
541 20 84-14	C	Spade, Blade Guard, Short, RH	542 04 88-80*	AB	Support, Manifold
541 20 84-15	L1	Cowl, Front H. Orange	542 04 88-94*	AB	Key, Round End .375 Sq x 1
541 20 84-16	E	Cover, Control Panel Top	542 04 88-95*	AB	Pin, Drive .375 x 7.125 B/O
541 20 84-18	G	Cowl, Side, H. Orange - LH	542 04 89-01*	AB	Nozzle, Vee, 1/4"
541 20 84-19	H	Cowl, Side, H. Orange - RH	542 04 89-05*	AB	Flap, Rubber, Side Plunge
541 20 84-20	O1	Front Axle - H. Grey	542 04 91-54*	X4	Hinge, 4"
541 20 84-21	L2	Cowl, Rear H. Grey	542 04 92-64*	AB	Nut, Hex, 1.75-12 B/O - LH
541 20 84-22	Q1	Frame, Lift Bail	542 04 98-71*	AB	Flange, Outer, 8" B/O
541 20 84-24	E	Bracket, Shield Mount, H. Orange	542 04 99-25*	AB	Wrench, 2-1/2" Blade Shaft
541 20 84-25	D	Mount, Engine, H. Grey	542 05 21-20*	Z	Switch, Toggle
541 20 84-27	L2	Hanger, Hose, H. Grey	542 07 20-86*	X5	Nut, Wing, M8-1.25
541 20 84-31	C,X5	Spacer, Spade, Front, H. Grey	542 09 05-52*	Z	Plate, Switch
541 20 84-38	X1	Blade Guard, Front, 30" H. Grey	542 09 11-29*	AB	Pipe Adpt. 1/4" NPT
541 20 84-39	X1	Blade Guard, Rear, 30" H. Grey	542 09 11-36*	AB	Nozzle, Flat Jet, 1/4"
541 20 84-40	X1	Cover, Bladeshaft, H. Grey CE	542 13 64-76*	W	Hose Clamp, Worm Drive SAE 64
541 20 84-43	X1	Blade Guard, Front -36" H. Grey	542 13 66-85*	J	Nut, Hex Jam #10-32
541 20 84-44	X1	Blade Guard, Rear, 36" H. Grey	542 13 80-59*	AA	Bracket, Weight, Black
541 20 84-45	X1	Blade Guard, Rear, 26" H. Grey	542 13 90-45	X6	Manifold, Water
541 20 84-46	X1	Blade Guard, Front -26" H. Grey	542 13 90-51	X6	Gasket, Water Manifold
541 20 84-47	X1	Blade Guard, Rear, 18" x 3" H. Grey	542 13 95-68*	G,H	Grip, Handle
541 20 84-48	X1	Blade Guard, Front -3x18" H-Grey	542 13 96-49*	P2,P3	Adapter, 1/2 NPT x 3/8 NPTF
541 20 84-50	X1	Blade Guard, Rear, 18" x 2" H. Grey	542 13 97-41*	D	HHCS, M12-1.75 x 30 DIN933
541 20 84-51	X1	Blade Guard, Front, 18" x 2" H. Grey	542 13 97-42*	J,R,X1	Locknut, Fiber M12 DIN 985
541 20 84-61	X1	Cover, Bladeshaft, H. Grey - 42" CE	542 13 97-45*	X1,AB	Locknut, Fiber M6-1.0
541 20 84-62	E,F1	Bracket, Throttle Cable, H. Grey	542 13 97-46*	X1,X4	Washer, Flat M6
541 20 84-63	C,X5	Spade, Slip-On, Front - LH	542 13 97-49*	D	HHCS, M10-1.50 x 25 DIN933
541 20 84-64	C,X5	Spade, Slip-On, Front - RH	542 13 97-51*	X1	HHCS, M12-1.75 x 25 DIN933
541 20 84-77	C	Spade, Blade Guard, Short, LH	542 13 97-59*	X1	HHCS, M6-1.0 x 45
542 02 00-32*	AB	U-Bolt, .25-20	542 13 97-61*	X1,AB	HHCS, M6-1.0 x 20
542 02 00-49*	G,K	Clamp, Hose SAE004	542 13 97-64*	X5	Carriage Bolt, M8-1.25 x 20
542 02 00-50*	T	Clamp, Hose SAE32	542 16 01-72*	E,F1,P1	Cable, Throttle
542 02 01-32*	F1,F2	Nut, Hex #10-24	542 16 01-96*	M	Pointer Rod, Front
542 02 01-36*	M	Nut, Hex .375-16	542 16 03-93*	Q1,Q2,R1,R2	Washer, Flat 1-3/4OD x 11/16 x 5/16
542 02 01-77*	V2	Nut, Hex Jam 1/2-13	542 16 07-04*	P2,P3	Petcock, 1/4" NPT
542 02 01-80*	N1,R1,R2	Nut, Hex Jam Thin 1"-14	542 16 07-23*	G,K	Hose, Radiator Overflow, 5/16 ID x 54"
542 02 01-95*	AB	Locknut, Fiber .25-20	542 16 08-40*	H	SBHMS, M6-1.00 x 12
542 02 01-97*	Z	Locknut, Fiber 5/16-18	542 16 24-96*	U1	SHCS, .25-20 x .75
542 02 01-99*	J	Locknut, Fiber 3/8-16	542 16 31-72*	R2	Flange, Q-D Outer w/ Pin 4.5"
542 02 02-01*	AB	Locknut, Fiber .5-13	542 16 31-86*	J	Bushing, Brass
542 02 02-44*	C	Locknut, Wing 1/4-20	542 16 31-88*	X1	Spring, Extension, SS
542 02 02-96*	Y	Pipe Fit., Close Nipple 3/4"NPT	542 16 32-14*	P4	Knob, 1.5" Dia
542 02 03-13*	Z	HHCS, 5/16-18 x 3/4	542 16 32-45*	G,H,R2	Gromet, 5/8" I.D.
542 02 03-39*	AB	HHCS, .5-13 x 1	542 16 32-75*	X1,X4,X6	Guard, Splash 3.5" x 12"
542 02 03-52*	D,Q2	HHCS, .5-13 x 5	542 16 33-19*	V2	Valve, Check Cart.
542 02 03-77*	M	HHCS, .375-16 x 1.5	542 16 33-21*	V2	Valve, Adj. Relief
542 02 05-41*	A	SHSS, .25-20 x .375 Cup Pt	542 16 33-24*	V2	Cap, Filler-Breather
542 02 05-51*	O1	SHSS, .3125-18 x .25 Cup HK	542 16 33-26*	V2	Strainer, Pump
542 02 05-87*	F1,F2,P1	HWHSTS, 10-24 x .375 Type F, SL	542 16 33-50*	V2	Spring, Valve
542 02 06-16*	N1	Pin, Cotter .125 x 1.5	542 16 33-51*	V2	Kit, Pool
542 02 07-39*	P1	Washer, Flat #10	542 16 33-88*	X1	Manifold, Water - 2"
542 02 07-45*	J	Washer, Flat 1/2"	542 16 33-89*	X1	Guard, Splash - 2.75" x 12"
542 02 07-47*	R1	Washer, Flat 5/8"	542 16 33-95*	X1	Clamp, Water Tube
542 02 07-64*	V1	Washer, Flat 3/8 SAE	542 16 34-85*	R1,R2	Pin, Dowel 3/8" Dia x 1.75"

NOTE: Part No's. that have an ASTERISK (*) suffix may not be active 9-digit numbers. The '542' prefix has been added to current 6-digit part numbers and '0' to 7 and 8-digit numbers.

FS 6600 D

PART NO.	POS.	DESCRIPTION	PART NO.	POS.	DESCRIPTION
542 16 34-87*	R1,R2,AB	HHCS, 5/8-11 x 3-1/2 Gr8 - RH	542 16 77-61*	X1	HHCS, M5-0.8 x 20 DIN933
542 16 34-88*	R1,R2	HHCS, 5/8-11 x 3-1/2 Gr8 - LH	542 16 78-18*	X1	FLHMS, M6-1.0 x 16 Slot
542 16 35-82*	M	Wheel, 5"	542 16 78-24*	X1	Hinge, 2" Width
542 16 36-56*	P4	Hose, Water 60"	542 16 79-25*	D	FHCS, M8-1.25 x 30 F.T.
542 16 36-72*	H,L1	Grommet, 3/4 I.D.	542 16 90-65	Q2	Decal: Warning/Muffler
542 16 36-88*	H,J	HHCS, M6-1.0 x 16 DIN 933	542 16 91-57*	X2,X3,X4	O-ring, -110
542 16 36-89*	H	Washer, Lock M6	542 16 94-30*	A	Rivet, Pop 3.2 Dia x 10
542 16 39-27*	AA	Weight, Black	542 17 20-11*	X1	Nut, Hex M5-0.8
542 16 39-86*	X3,X4,AB	Decal, Blade Direction	542 17 20-17*	C,X1,AB	Nut, Hex M6-1.0
542 16 42-43*	S,AB	Fitting, Grease	542 17 24-95*	AA	Washer, Lock M12
542 16 42-97*	O1	Fit., Grease Zerk	542 17 30-09*	O1	Nut, Hex M12-1.75
542 16 43-70*	N2,Y	Tab, Insulated Push-On	542 17 30-10*	D	Nut, Hex Low, M12-1.75
542 16 46-32*	N1,R1,R2	Key, Woodruff (ANSI #808)	542 17 30-19*	X1	Washer, Lock, Star External, M8
542 16 49-54*	U1	SHCS, M10-1.5 x 25 Lo Hd Gr8	542 17 30-47*	X1	Washer, Flat M5
542 16 60-38*	G,H,Z	Knob, 1.25 x 3/8-16	542 17 30-59*	Y	Washer, Flat M8
542 16 62-21*	F1,F2,V2	Meter, Hour	542 17 44-46*	A	SHCS, M8-1.25 x 25 DIN912
542 16 62-56*	U1	Locknut, Fiber .3125-24	542 17 46-79*	G,H	Lever, Adjustable
542 16 62-86*	AB	Flange, Outer, 5" QDS B/O	542 17 49-86*	Y	Clamp, Hose SAE12
542 16 63-07*	R1,R2,S	Flange, Outer w/Pin - 5" QDS, 18"-30"	542 17 61-77*	P3	Hose, Water 3/4"FGH x 1/2"MPT x 49"
542 16 63-51*	P1	Bearing, Pilot	542 17 62-23*	B,P4,V1	Decal, CAUTION (SHIELDS)
542 16 63-52*	Q1	Isolator, Engine	542 17 63-83*	F1,F2	Switch, Emergency Stop
542 16 63-59*	F1,F2	Gauge, Water Temp	542 17 63-98*	J	Switch, Neutral Safety Start
542 16 63-62*	R1	V-Belt 3VX450 4-Band	542 17 68-11*	A	Pin, Clevis 3/8 Dia x 1.38
542 16 63-65*	R1,R2	Pulley, 4.75" Gearbox, 18"	542 17 68-81*	AB	Blade Guard Assy: Side Plunge
542 16 63-66*	R1	Pulley, 3.65" Gearbox, 30"-36"-42"	542 17 69-94*	J	Speed Control/Shift Frame
542 16 63-68*	Q1	HHCS, M16 x 2 x 90 DIN933	542 17 69-96*	J	Arm, Shifter Pivot
542 16 63-93*	T	Cap, Radiator, 10psi	542 17 69-98*	J	Pivot Pont, Shift
542 16 64-13*	G	Tank, Coolant Recovery, 1.5 Qt	542 17 70-56*	Y,Z	Terminal, Wire 1/4"
542 16 64-38*	F1,F2	Gauge, Voltmeter	542 17 70-66*	C	Rubber Boot, Batt. Term., Black
542 16 64-42*	Q1	Support, Engine, Rear	542 17 72-39*	N2	Pin, Rue Ring 1/2" Dia
542 16 64-48*	V1	Head, Filter	542 17 86-87*	Y	Fitting, 3/4"MGH x 3/4"MPT
542 16 64-49*	V1	Element, Filter, Spin-On	542 17 87-24*	L2	Switch, Pressure, N.O.
542 16 64-59*	E	Filter, Raditor	542 18 00-23*	V2	Screen, Filter
542 16 64-66*	J,U2	Rod End, #10-32UNF	542 18 00-28*	NS	Steel Clip, 1/2" Plastic Coat
542 16 64-80*	R1,R2	Washer, Flat 1.030 x 2.25	542 18 04-27	F1,F2	Decal, PATENTS
542 16 64-91*	G,H	Collar, Set, 1.25" I.D. - Mod	542 18 10-26*	B	Decal, RADIATOR FILTER CE
542 16 65-94*	V2	Coil, Solenoid - 12VDC	542 18 10-39*	J	Washer, Friction, 2"
542 16 66-22*	F1,F2	Block, Fuse	542 18 10-59*	B	Decal, DIESEL
542 16 66-24*	E	Fastener, Tuflok	542 18 10-65*	P1	Relay, Solenoid
542 16 66-29*	R1	V-Belt 3VX465 4-Band	542 18 11 -17*	Z	Kit, Dual Light 12VDC
542 16 66-30*	T	Hose Clamp, Worm Drive SAE24	542 18 11-09*	M,X5	Nut, Hex Jam, M16 x 2.0
542 16 66-72*	P1	Clamp,Vinyl Coated 1/4 x 5/16	542 18 11-18*	Z	Tube, Support
542 16 66-74*	P2	Clamp,Vinyl Coated 3/8 x 3/8	542 18 11-20*	Z	Bar, Support
542 16 66-85*	P2	Rotor, Electric Clutch	542 18 11-26*	Z	Wire Assy, 36" Black
542 16 67-07*	F1,F2	Keyswitch, Ignition	542 18 11-27*	Z	Wire Assy, 16" Black
542 16 67-08*	F1,F2	Relay, NO/NC	542 18 12-06*	O2	Orifice, Disc .031"
542 16 67-50*	X1	Manifold, Water - 3"	542 18 12-09*	X4,X5	Nut, Hex Jam, M16-2.0
542 16 68-15*	X1	Tube, Water, 30" Blade Guard	542 18 13-61*	G	Grommet
542 16 68-16*	X1,X3	Latch, B/G Slip-On	542 18 20-96*	J	Plate, Cover, Raise/Lower Switch
542 16 68-46*	X1	Tube, Water, 36" Blade Guard	542 18 20-99*	J	Lug, Solder Terminal
542 16 68-53*	B	Decal, RADIATOR FILTER	542 18 21-02	J	Switch, Toggle
542 16 68-54*	F1,F2	Key, Ignition (Set of 2)	542 18 21-46*	J	Boot, Half - Toggle Switch
542 16 68-55*	F1,F2,Y,Z	Fuse, 10A Push In	542 18 21-84*	C	Cable, Batt. 4Ga x 44" - Red
542 16 68-57*	F1,F2	Fuse, 5 Amp	542 18 22-19	F1,F2	Switch, Rocker
542 16 68-78*	F1,F2	PHSTS, #10-24 x 1" Type F	542 18 22-20	F1	Switch, Rocker (Optional)
542 16 68-80*	W	Adaptor, Restriction Indicator	542 18 22-28	I	Harness, Depth Stop
542 16 68-91*	J,U2	Locknut, Fiber, #10-32	542 18 22-33	P2	Harness, Cowl
542 16 68-98*	NS	Grommet - 3-Spd	542 18 22-80	F1,F2	Wire Harness, J-D Engine - FS6600D
542 16 69-07*	P1	Valve, Oil Drain	542 18 22-81	F1,F2,J	Wire Harness, J-D Cowl - FS6600D
542 16 69-57*	X1,X3	HHCS, M16-2.0 x 110	542 18 23-03	M	Pointer, Front - H. Grey
542 16 69-83*	P1	Fan, Radiator 17" Dia	542 18 23-05	C	Bracket, Support, Rear H. Grey
542 16 69-85*	X1	Tube, Water, 26" Blade Guard	542 18 30-01*	J	Bushing, Glide
542 16 69-86*	X1	Tube, Water, 18" Blade Guard	542 18 30-06*	V2	Valve, Solenoid NC
542 16 70-35*	N2,O2	Pin, Cotter Hair Spring 1/2-5/8	542 18 30-44*	AB	HHCS, .5-13 x 11.5
542 16 71-25*	Q1	Eye Nut, Saw Tie-down	542 18 31-06*	K	Cap, Gas w/o Gauge
542 16 72-89*	X1,X6	Decal: Blade Direction - Small	542 18 31-24*	D,J,Q1	Washer, Belleville .5"
542 16 72-98*	X1,X2,X3,X4,X6	Decal: Blade Guard Caution	542 18 31-37*	J	Bracket, Neutral Safety Switch
542 16 74-31*	N1	HHCS, M12-1.75 x 65	542 18 31-54*	J	HHCS, .375-16 Special
542 16 74-44*	AA	HHCS, M12-1.75 x 75	542 18 31-63*	AA	HHCS, M12-1.75 x 35 DIN931
542 16 74-47*	Q1,Q2	HHCS, M16-2.0 x 45	542 18 33-75*	P2,P3,P4	Hole, Plug 3/4"
542 16 74-48*	Q1,X1,X3,X5	Locknut, Fiber M16 -2.0	542 18 33-82*	F2	Switch, Toggle (Tach, 3-Spd)
542 16 74-49*	C	Eyebolt, M6-1.0 x 50	542 18 33-96*	M	Front Pointer - Compl
542 16 74-91*	C,X5	SHCS, CSK M10-1.5 x 25	542 18 35-30*	P1	Hyd. Fit., Elbow M22-8JIC
542 16 75-03*	X1,X3	Bolt, Latch Pivot M8-1.25	542 18 37-69*	F1	Decal, THROTTLE DIESEL
542 16 75-55*	C,D,E,G,H	U-Nut, M8-1.25	542 18 39-23	Q1	Washer, Flat M16 DIN126
542 16 75-55*	L1,L2,P3-4,Q1,AC	U-Nut, M8-1.25	542 18 39-98*	X1,X3	Lanyard, Nylon Coated SS
542 16 77-22*	P1	PHMS, M5-0.8 x 12	542 18 39-99*	X1,X3	Drive Screw #10 X .25 Lg

NOTE: Part No's. that have an ASTERISK (*) suffix may not be active 9-digit numbers. The '542' prefix has been added to current 6-digit part numbers and '0' to 7 and 8-digit numbers.

FS 6600 D

PART NO.	POS.	DESCRIPTION	PART NO.	POS.	DESCRIPTION
542 18 44-56*	T	Gasket, SAE B Mount	542 19 90-45	R1,AB	Key, 1/4" Sq x 2.5 Round BE
542 18 52-52*	X6	SBHCS, M6-1.0 x 16 SS	542 19 90-53	A,C,E,F1,G,H	HWH Bolt w/ Dog Pt, M8-1.25
542 19 04-33	N1	Hub w/ Bearings, Seal & Cap - Compl	542 19 90-53	L1,L2,N1,P1,P2,	HWH Bolt w/ Dog Pt, M8-1.25
542 19 05-95	P4	Decal, Gearbox Range	542 19 90-53	Q1,R,AC	HWH Bolt w/ Dog Pt, M8-1.25
542 19 06-28	B	Decal, TRANS. BYPASS VALVE	542 19 90-79	W	Hose, Air Intake FS6600
542 19 07-02	E,G,H	Decal, HUSQVARNA / FS6600D	542 19 90-93	V1	Bracket, Filter - Lift Pump
542 19 07-33	L2	Decal, HUSQVARNA	542 19 90-96	V1,V2	Pump, Hydraulic Lift
542 19 07-35	A	Decal, 3" Husqvarna Crown	542 19 90-97	C	Tray, Battery
542 19 10-82*	W	Air Cleaner 8" - Compl	542 19 91-24	L2	Pipe Fit., St. Elbow, 1/2"NPT
542 19 11-14*	W	Housing, Air Cleaner	542 19 91-25	L2	Pipe Fit., Male Elbow, 1/2"NPT
542 19 11-15*	W	Element, Primary	542 19 91-26	L2	Pipe Fit., Female Tee, 1/2"NPT
542 19 11-16*	W	Element, Safety	542 19 91-27	L2	Pipe Fit., 45 Deg St. Elbow, 1/2"NPT
542 19 11-18*	W	Valve, Air Cleaner	542 19 91-28	X1,X3,X4	Spring, Blade Guard
542 19 11-42*	X1,X3	Kit, Blade Guard Latch	542 19 91-38	N2	Actuator, 40mm Stroke
542 19 12-84*	AB	Pipe Fit., 1/8 NPTF Extension	542 19 91-60	R1,S	Pulley, 6.4" Tapered Bladeshft, 42"
542 19 13-16*	P1	Hose, Oil Drain x 20"	542 19 91-67	Q1	Bracket, Speed Control
542 19 14-29*	S	Bearing 209PP	542 19 91-83	J	Cable, Push-Pull
542 19 17-14*	O1	Bearing, Ball	542 19 91-86	P1	Bracket, Throttle Cable - Black
542 19 17-70*	O1	Wheel, 8"Dia x 3" w/ Ball Brg - Compl	542 19 91-92	V1	Bracket, Pump Mount
542 19 18-94*	I	Cable, Depth Indicator	542 19 92-02	I	Bracket, Depth Indicator, Black
542 19 18-95*	R1,R2	Pulley, 8G3V4.12, Taper Bore	542 19 92-10	K	Draw Tube, Fuel Line - Compl
542 19 19-62*	C,D,Q1,Q2,	Lockwasher, Split, M16	542 19 92-17	E	Shroud, Radiator Half
542 19 19-62*	X1,X3,X5,AB	Lockwasher, Split, M16	542 19 92-22	J	Handle & Switch - Compl
542 19 19-63*	S,AB	Vent Plug 1/8 NPT	542 19 92-35	K	Hyd Fit., 45° Elbow, 5MJIC x 6SAE
542 19 19-96*	P1	HHCS, M8-1.25 x 20, DIN933-10	542 19 92-36	K	Hyd Fit., -5 FJIC x 5/16 Hose Barb
542 19 51-27	X1,X3	Hinge, 3"	542 19 92-37	T	Radiator Hose, Suction
542 19 60-29*	X1,X3,X4	Decal, LwA 119dB	542 19 92-39	N2	Pivot Pin, Actuator 12mm
542 19 61 72	AA	Kit, Weight 2 Bar 70 Lbs	542 19 92-41	N2	Pivot Pin, Actuator 10mm
542 19 61-73	L2	Hose, Water, 3/4"FGH x 66"	542 19 92-47	L2	Bracket, Water System
542 19 71-01*	Z	Cable Tie, Plastic 8 In X .094	542 19 92-51	Q1,T	Bracket, Radiator Fill Mount
542 19 71-70*	X1,X3,X4	Wing Bolt, M6 -1.0 x 16	542 19 92-55	T	Neck, Radiator Fill
542 19 72-27*	X1	HHCS, M8-1.25 x 20 DIN933	542 19 92-57	T	Clamp, Support
542 19 80-43*	P1	Hose, 1/2" Water, 3/4"FGH x 36"	542 19 92-72	T	Radiator Hose, Return, Upper
542 19 80-77*	C	Battery, Group 48	542 19 92-73	T	Radiator Hose, Return, Lower
542 19 80-78*	C	Bar, Battery Hold-Down	542 19 93-08	D	Bracket, Depth Indicator Wheel - Black
542 19 81-19*	P1	Boot, Rubber, Batt. Term. - Red	542 19 93-17	R1,R2,S	Flange, Inner 7" Dia, 42"
542 19 81-63*	X1	Blade Guard, 18" H Grey w/Decals 2"	542 19 93-41	O1	Front Axle - Compl
542 19 81-64*	X1	Blade Guard, 26" H Grey w/Decals	542 19 93-50	U1	Hydro Pump - Compl
542 19 81-65*	X1	Blade Guard, 30" H Grey w/Decals	542 19 93-51	T	SHCS, M12-1.75 x 30
542 19 81-66*	X1	Blade Guard, 36" H Grey w/Decals	542 19 93-52	U1	Key, 5 Sq. x 25
542 19 85-27	E	Radiator, 3-Row 3-Pass FS6600D	542 19 93-53	N1	Hose, 6FJ90 x 6FJ90 x 21"
542 19 87-78*	X1	Blade Guard, 18" H Grey w/Decals CE	542 19 93-54	N1	Hose, 6FJ90 x 6FJ90 x 31"
542 19 88-12	P1	Spacer, Fan JD 4-Cyl	542 19 93-55	N1	Hose, 6FJ x 6FJ90 x 15"
542 19 88-15	F1,F2	Fuse, 30 Amp	542 19 93-56	U1	Hose, 6FJ90 x 14.5"
542 19 88-42	N1	Wheel, Rear 10"Dia x 3"	542 19 93-58	U1,V1	Hose, 4FJ90 x 22.5"
542 19 88-43	N1	Hub, Wheel	542 19 93-59	V1	Hose, 4FJ x 4FJ90 x 54"
542 19 88-58	R1,R2,S	Pulley, 4.75" Taprd Bldshaft, 26"-30"	542 19 93-60	V1	Hose, 4FJIC x 14"
542 19 88-64	R1,R2,S	Flange, Inner 6" Dia, 36"	542 19 93-61	P1	Sender, Water Temperature
542 19 88-65	R1,R2,S	Pulley, 5.6" Tapered Bladeshft, 36"	542 19 93-65	P1	Bracket, Glow Plug Relay - Black
542 19 88-66	R1,R2,S	Pulley, 4.12" Tapered Bladeshft, 18"	542 19 93-72	N1	HHCS, M12-1.75 x 140, 8.8 DIN 933
542 19 88-78	N1	Motor, Hyd Wheel	542 19 93-78	R1,R2,S	Flange, Outer w/Pin - 7" QDS, 42"
542 19 88-90	U1	Plate, Adaptor, Aux Pump	542 19 93-87	P2	Hub, Clutch Drive w/ Fasteners
542 19 89-00	P1	Capscrew, Flywheel Mount	542 19 93-96	P2	Coil, Field w/ Leads
542 19 89-15	U2	Bypass/Counterbalance Valve	542 19 93-97	C	Cable, Batt. Pos. 0Ga x 18" - Red
542 19 89-16	O2	Valve, Needle - Lift Cyl	542 19 93-98	C	Cable, Batt. Neg. 0Ga x 28" - Black
542 19 89-17	U2	Valve, Needle - Bypass	542 19 94-01	P1	Engine w/ Flywheel Mod JD 4-Cyl
542 19 89-27	B	Grommet, 1/2 x 1.25 OD	542 19 94-04	Q1	Bracket, Lift Bail, Black
542 19 89-32	O2	Pin, Cylinder - Rear .75 Dia x 2.25	542 19 94-14	U2	Valve, C-Balance
542 19 89-34	O2	Block, Cylinder Mtg - Black	542 19 94-19	Q1	HHCS, M16-2.0 x 65
542 19 89-36	O1	Pin, Cylinder - Front	542 19 94-26	N1	Nut, Castle, 1"-14 UNF
542 19 89-42	P1	Flywheel, Mod	542 19 94-27	N1	Spacer-Washer, 1" Bearing
542 19 89-49	U1	O-Ring, -042	542 19 94-32	F1	Decal, Blade Speed / Size - CE
542 19 89-53	P2	Snap Ring, 1.375 Shaft	542 19 94-33	F1,F2	Decal: E-Track Control
542 19 89-61	U1	Bushing G 15mm	542 19 94-34	F1	Decal, Blade Speed / Size - Std
542 19 89-62	P1	Engine, JD 4-Cyl	542 19 94-35	D	Decal, Axle Adjustment, Manual
542 19 89-64	U1	Gear JD Aux Drive w/ Ctr.Bor.	542 19 94-51	J	Speed Control - Compl
542 19 89-65	N1	Pivot Swivel, M12	542 19 94-53	E	Radiator - Compl FS6600D
542 19 89-75	P2	Armature, Mod.	542 19 94-60	P1	Element, Oil Filter
542 19 89-96	C	Shield, Actuator - Black	542 19 94-61	P1	Element, Fuel Filter
542 19 90-12	K	Fuel Tank	542 19 94-66	S	Bladeshft Assy - compl 18"
542 19 90-16	L1	Angle, Radiator Mount, Black	542 19 94-67	S	Bladeshft Assy - compl 26/30"
542 19 90-17	H	Mounting, Handlebar - RH	542 19 94-69	S	Bladeshft Assy - compl 36"
542 19 90-18	G	Mounting, Handlebar - LH	542 19 94-70	S	Bladeshft Assy - compl 42"
542 19 90-21	L1	Isolator, Rubber	542 19 94-75	N2	Bracket, Actuator Pivot, Lg, Black
542 19 90-29	B	Insulator, Neoprene w/ Holes	542 19 94-79	Q1	HHCS, M16 X 2 X 35, DIN 931
542 19 90-39	L2	Insulator, Rubber	542 19 94-80	P2	Bushing, Rubber, 1/2"ID x 3/4"OD x 3/4"
542 19 90-44	B,S,AB	HHCS, M8-1.25 x 75	542 19 94-81	R1	Gearbox Model, Superior

NOTE: Part No's. that have an ASTERISK (*) suffix may not be active 9-digit numbers. The '542' prefix has been added to current 6-digit part numbers and '0' to 7 and 8-digit numbers.

FS 6600 D

PART NO.	POS.	DESCRIPTION	PART NO.	POS.	DESCRIPTION
542 19 94-94	N2	Actuator - Compl	542 20 65-57	P4	Guard, Belt, Inner - LH
542 19 95-12	N2	Bracket, Actuator Connector, Black	542 20 65-59	P3,P4	Bracket, Belt Guard, Black
542 19 95-55	N1	Rear Axle - Compl FS6600/FS8400	542 20 65-62	A	Guard, Flange H. Grey
542 19 95-66	W	Hood, Air Inlet	542 20 65-64	F1	Bracket, Air Cleaner
542 19 96-33	N2	Disc, Slider, 2.75" Dia	542 20 65-66	A	Guard, Sheave H. Grey
542 19 96-37	Y	Water Pump - Compl	542 20 65-69	A	Corner, Frame, LH H. Grey
542 19 96-39	Y	Port, Water Pump, 1/2 x 90 Deg	542 20 65-87	Q1	Muffler, FS6600, Hi-Temp Black
542 19 96-40	Y	Grommet , Set	542 20 65-94	A	Frame, FS6600, H. Grey
542 19 96-41	Y	Filter, Inlet	542 20 66-25	A	Panel, Side - RH
542 19 96-43	Y	Screen, Inlet Filter Strainer	542 20 66-26	A	Insert, Panel - RH
542 19 96-46	Y	Plate, Water Pump Mount	542 20 66-27	A	Panel, Side - LH
542 19 96-48	Y	Switch, Toggle Single Pole	542 20 66-28	A	Insert, Panel - LH
542 19 96-49	Y	Boot, Switch	542 20 66-39	A	Hinge, Tube
542 19 96-52	Y	Bracket, Water Pump, Inlet	542 20 66-45	A	Pin, Tube Conn
542 19 96-57	Y	Hose Assy, 1/2"MGH	542 20 66-51	A	Cradle, Latch, Black
542 19 96-58	Y	Hose Assy, 3/4"FGH	542 20 66-55	A	Latch, Hood
542 19 96-71	Y	Cord, Electrical - Water Pump	542 20 66-60	P2,P3	Breather, 3/8" NPT
542 19 96-77	E	Lanyard, 24" Nylon Coated	542 20 66-66	A	Latch, Side Panel - LH
542 19 96-91	C,D,X6,AB	HHCS, M16-2.0 x 140	542 20 66-73	F1,F2	Tachometer
542 19 96-92	D	Block, Baldshaft Spacer - Black	542 20 66-80	A	Shield, Latch Side - RH
542 19 97-13	B	Decal, DEPTH INDICATOR SETTING	722 78 31-03	A	Rivet, Pop 3.2 x 16 Alum
542 19 97-14	B,H	Decal, DEPTH INDICATOR	725 23 29-71	A	HHCS, M5-0.8 x 16
542 19 97-41	V1	Hose Assy, 6JF90°L x 6JFSw x 14.5"	725 23 33-71	Y	HHCS, M5-0.8 x 25
542 19 97-49	H	Plate, Limiter - SS CE	725 23 68-71	R2,S,X2,X3,X4,X6	HHCS M6-1.0 x 16
542 19 97-58	O2	Valve, Cartridge Check	725 23 70-71	A,X2,X3,X4,X5,X6	HHCS, M6-1.0 x 20
542 19 97-59	O2	Cylinder, Hydr Lift FS6600	725 23 72-71	X6	HHCS, M6-1.0 x 25, 8.8
542 19 97-61	O2	Cylinder, Lift, FS6600 - Compl	725 23 76-71	J	HHCS, M6-1.0 x 35
542 19 98-36	R2	Gearbox, 3-Speed, SAE 4, Black	725 23 78-71	X6	HHCS, M6-1.0 x 40, 8.8
542 19 98-60	N1	Seal, Dbl Lip Shaft, 1.25 x 1.938	725 23 79-51	X2,X3,X4	HHCS, M6-1.0 x 45
542 19 98-61	N1	Bearing, Tappered Roller, 1"	725 24 47-71	NS	HHCS, M8-1.25 x 12
542 20 10-48	Y	Installation Sheet: Water Pump	725 24 49-76	Q1	HHCS, M8-1.25 x 16
542 20 11-13	R2	Inst Sht: Prox Switch	725 24 51-71	NS	HHCS, M8-1.25 x 20
542 20 21-84	A	Washer, Tube, 8mm	725 24 53-71	A	HHCS, M8-1.25 x 25 DIN933
542 20 32-58	X3	Blade Guard, Rear 26"	725 24 53-76	X2,X3,X4	HHCS, M8-1.25 X 25, 10.9 DIN 933
542 20 32-64	X3	Blade Guard, Front 26"	725 24 57-71	A	HHCS, M8-1.25 x 35
542 20 32-66	X3	Blade Guard 26" - Compl	725 24 57-76	P1	HHCS, M8-1.25 x 35, 10.9
542 20 32-97	X3	Blade Guard, Rear 30"	725 24 85-71	A	HHCS, M10-1.5 x 10
542 20 32-98	X2,X3	Guard, Splash 12"	725 24 89-71	A	HHCS, M10-1.5 x 16
542 20 33-03	X3	Blade Guard, Front 30"	725 24 91-71	A	HHCS, M10-1.50 x 20
542 20 33-05	X3	Blade Guard 30" - Compl	725 24 93-71	A,C,P2,AB	HHCS, M10-1.50 x 25
542 20 33-10	X3	Blade Guard, Rear 36"	725 24 95-71	P1,P2,P3,P4	HHCS, M10-1.50 x 30
542 20 33-16	X3	Blade Guard, Front 36"	725 24 97-71	P1	HHCS, M10-1.50 x 35
542 20 33-18	X3	Blade Guard 36" - Compl	725 24 99-71	Q1	HHCS, M10-1.50 x 40
542 20 51-91	M	Extension, Pointer	725 25 01-51	D,Q1	HHCS, M10-1.50 x 50
542 20 53-08	J	Bracket, RS/LWR Switch, Black	725 25 13-51	A	HHCS, M10-1.50 x 110
542 20 53-09	J	Switch, RS/LWR Toggle - Compl	725 25 32-71	X4	HHCS, M12-1.75 x 20
542 20 54-38	E	Valve, Drain	725 25 34-71	B,C,T,Z	HHCS, M12-1.75 x 25
542 20 60-68	A	Hinge, Tube Pivot	725 25 36-71	B	HHCS, M12-1.75 x 30
542 20 60-73	A	Latch, 1/4-Turn Slot Head	725 25 42-71	Q1	HHCS, M12-1.75 x 50
542 20 60-90	A	Bracket, Latch, Front, Black	725 25 44-51	D	HHCS, M12-1.75 x 60
542 20 62-02	R2	Flange, Inner 4.5"	725 25 48-71	O1	HHCS, M12-1.75 x 80 DIN933
542 20 62-51	I	Spring, Extension	725 53 66-01	X2,X6	SHCS, M6-1.0 x 12 ISO 4762
542 20 62-58	P4	Rod, Shift, Lg	725 54 55-55	P2	SHCS, M8-1.25 x 30 12/9 B/O
542 20 62-92	F1,F2	Nut, Jam (Incl w/ Recpt Connector)	728 84 47-05	O1	SHSS, M8-1.25 x 12 CupPt B/O
542 20 62-93	F1,F2	Washer, Seal (Incl w/ Recpt Connector)	731 23 16-01	X2,X3,X4	Nut, Hex M6-1.0
542 20 63-00	Q1	SBHCS, M8-1.25 x 45	731 43 20-01	P4,Q1	Nut, Hex Jam Thin M10-1.50
542 20 63-24	A	SBHCS, M8-1.25 x 60	732 11 64-01	B	Washer, Lock M8
542 20 63-56	Q1	Washer, Flat 2.50x.657x.188	732 25 14-01	A,P2,U1,Y	Locknut, Fiber M5-0.8
542 20 63-93	S	Sprocket 30 Tooth, Bladshaft	732 25 16-01	C,J,	Locknut, Fiber M6-1.0
542 20 63-97	P4	Handle, 3-Spd Shifter	732 25 16-01	X2,X3,X4,X5,X6	Locknut, Fiber M6-1.0
542 20 64-16	P4	Stud, M10-25	732 25 18-01	A,E,Q1,S,	Locknut, Fiber M8-1.25
542 20 64-17	F1,F2	LED, Red	732 25 18-01	X2,X3,X4,X5,AB	Locknut, Fiber M8-1.25
542 20 64-63	S	Bladshaft, Tapered w/ Tach	732 25 20-01	C,P2,Q1,X4	Locknut, Fiber M10-1.50
542 20 64-68	F1,F2	Box, Instrument Panel H. Grey	732 25 22-01	Q1,Z,AA,X4	Locknut, Fiber M12-1.75
542 20 64-75	F1,F2	Panel, Control Box	734 11 46-01	A	Washer, Flat M6
542 20 64-77	F1,F2	Decal, INSTRUMENT PANEL	734 11 52-01	C,AB,X6	Washer, Flat M6
542 20 64-78	R2	Pin, Dowel 5mm OD x 50	734 11 54-41	A,X2,X3,X6	Washer, Flat M6 Large
542 20 64-79	S	Bladshaft Tube w/ Tach	734 11 63-01	P2,Q1,X2,X3,X4	Washer, Flat M8
542 20 65-00	A	SBHCS, M8-1.25 x 50	734 11 65-41	Q1	Washer, Flat M8 Large
542 20 65-10	A	Latch, Hood Spring	734 11 72-01	A,C,P2,U1	Washer, Flat M10
542 20 65-35	R1,R2,S	BladeShaft FS6600 - Compl	734 11 78-01	B,D,G,H,Q1,T,X4	Washer, Flat M12
542 20 65-47	F2	Decal, TACH BLADE RPM/GEAR 4.5"	735 11 53-01	A,X1,X6	Washer, Lock M6
542 20 65-48	F2	Decal, TACH BLADE RPM/GEAR 5"	735 11 64-01	A,B,P1	Washer, Lock M8
542 20 65-49	F2	Decal, TACH BLADE RPM/GEAR 6"	735 11 73-01	A,C,D,P1-4,	Washer, Lock M10
542 20 65-50	Q1	Spacer, Engine Foot	735 11 73-01	Q1,U1,AB	Washer, Lock M10
542 20 65-51	A	Corner, Frame - RH	735 11 78-01	B,C,D,N1,T	Washer, Lock M12
542 20 65-55	P4	Guard, Belt, Inner - RH	740 38 08-01	R2,S	Washer, Sealing M6

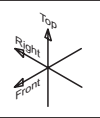
NOTE: Part No's. that have an ASTERISK (*) suffix may not be active 9-digit numbers. The '542' prefix has been added to current 6-digit part numbers and '0' to 7 and 8-digit numbers.

FS 6600 D

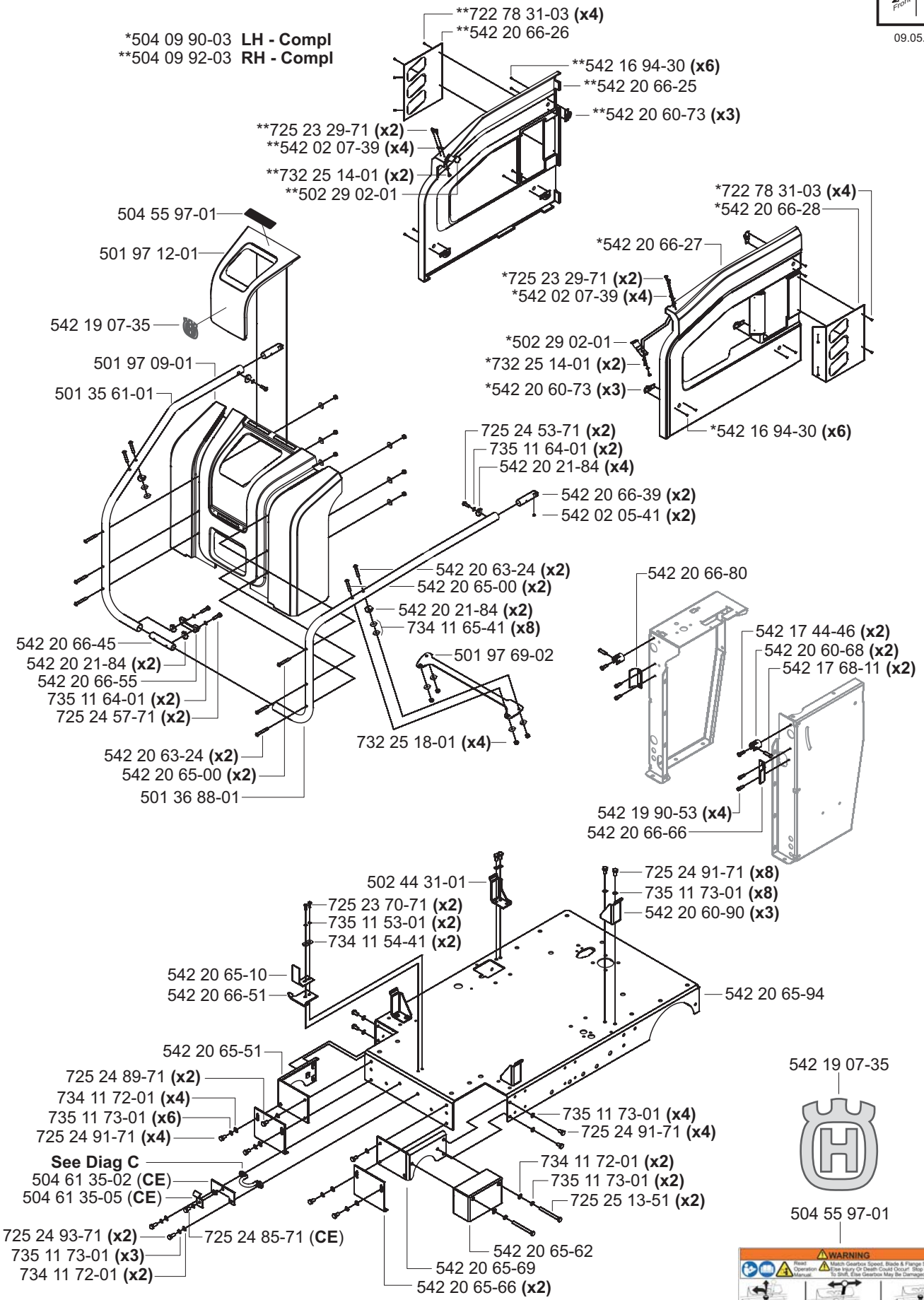
PART NO.	POS.	DESCRIPTION	PART NO.	POS.	DESCRIPTION
MISC ITEMS & SPECIAL KITS			LEGEND		
502 84 12-01	NS	IPL Parts List: FS6600,HUSQ	BHMS		Button Head Machine Screw
504 63 69-01	NS	OM Op Instr: FS66-8400 HUSQ CE 3-L	FLHMS		FLat Head Machine Screw
504 63 69-02	NS	OM Op Instr: FS66-8400 HUSQ CE 5-L	HHCS		Hex Head Cap Screw
502 47 12-01	AC	OM Oper Man: Catalytic Converter	HWHSTS		Hex Washer Head Self-Tapping Screw
504 61 10-01	P4	Instruction, Kit 3-Spd Lockout	RHMS		Round Head Machine Screw
504 89 22-01	F1,F2	Inst Sht: Control Box	SBHMS		Socket Button Head Machine Screw
542 0A 77-17*	Z	Instr Sht: Dual Work Light	SHCS		Socket Head Cap Screw
504 61 01-02	P4	Kit, Shift Lockout, FS6600	SHSS		Scocker Head Set Screw
504 61 12-01	AC	Kit, Catalytic Converter FS6600	STS		Self-Tapping Screw
505 54 96-02	U1	Kit, Hydro Pump	PHCS		Pan Head Cap Screw
516 02 66-01	AB	Kit, FS6600 Side Plunge 18/20"	PHMS		Pan Head Machine Screw
542 19 94-87	P2	Kit, Clutch Service	PHSTS		Pan Head Self-Tapping Screw
542 19 96-26	Y	Kit, Water Pump FS6600/8400	FT		Full Thread
542 20 64-72	F1-2	Kit, Control Box	Gr		Grade
542 20 66-34	R2	Kit, Prox Switch w/ Tool & Instr Sht	B/O		Black Oxide

NOTE: Part No's. that have an ASTERISK (*) suffix may not be active 9-digit numbers. The '542' prefix has been added to current 6-digit part numbers and '0' to 7 and 8-digit numbers.

A Frame, Nose & Side Panels



09.05.08

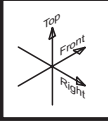


WARNING

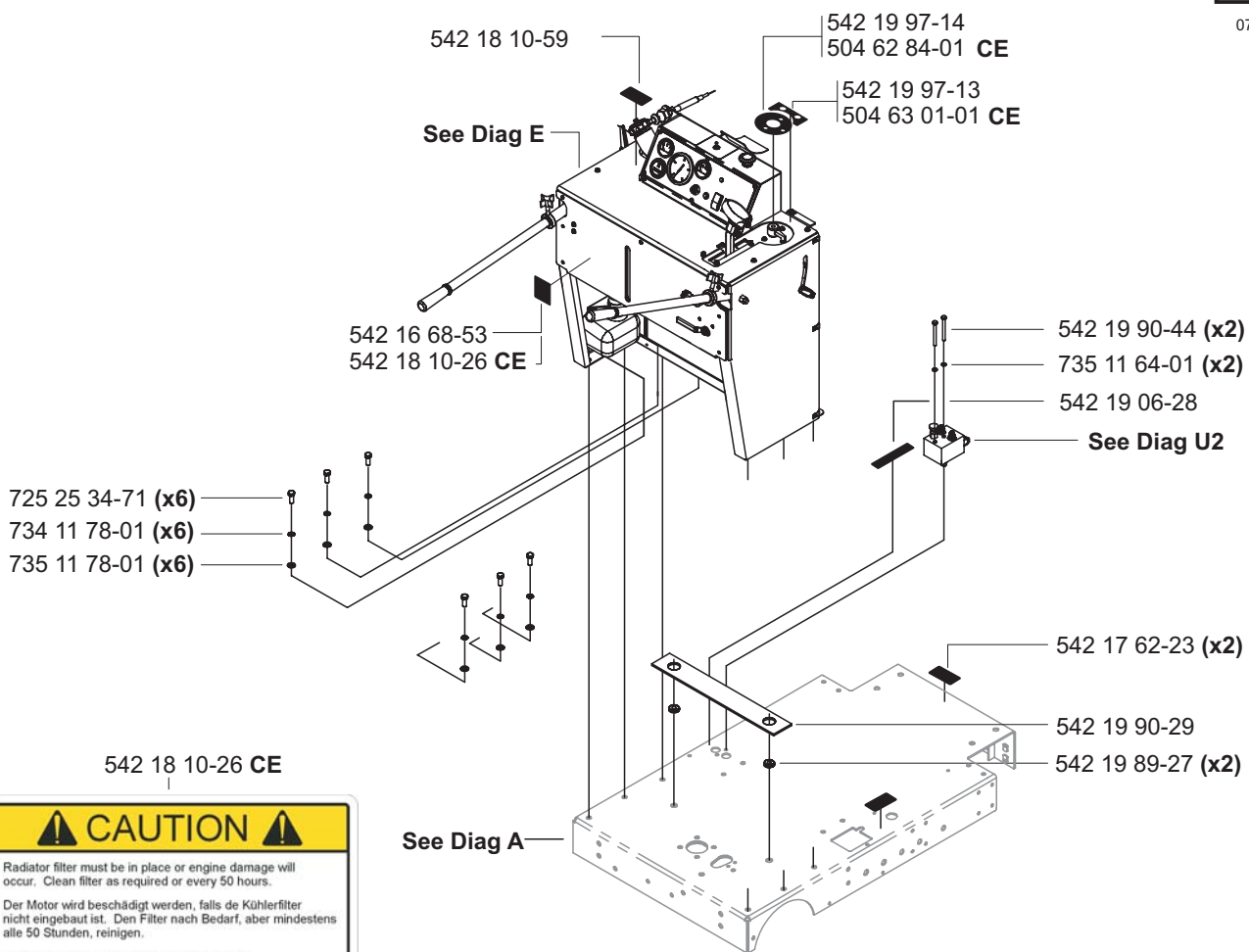
Read Operator Manual
 Match Gearbox Speed, Blade & Flange Size
 Drive Entry Or Chain-Guide Cover. Stop Engine
 To Shift. If Not Gearbox May Be Damaged

1. Lift Distort Lock (Thrust To Hold)
 2. Shift Lever To Select Gear (N, 1, 2, Or 3)
 3. Lower Distort Lock

B Frame & Cowling



07.05.07



542 18 10-26 CE

CAUTION

Radiator filter must be in place or engine damage will occur. Clean filter as required or every 50 hours.

Der Motor wird beschädigt werden, falls der Kühlerfilter nicht eingebaut ist. Den Filter nach Bedarf, aber mindestens alle 50 Stunden, reinigen.

De radiatorfilter moet op zijn plaats zitten om schade aan de motor te vermijden. De filter kuisen als vereist of alle 50 uren.

Le filtre du radiateur doit être en place, sans quoi le moteur sera endommagé. Nettoyer le filtre au besoin ou toutes les 50 heures.

El filtro del radiador debe estar en su lugar apropiado, de otra manera ocurrirá daño al motor. Limpie el filtro cuando sea necesario o cada 50 horas.

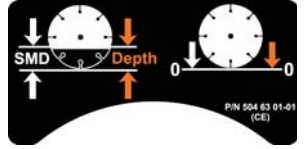
Il filtro del radiatore deve essere collocato correttamente altrimenti si danneggia il motore. Pulire il filtro ogni volta che è necessario o ogni 50 ore.

542 16 68-53

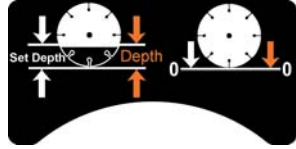
CAUTION

Radiator filter must be in place or engine damage will occur. Clean filter as required or every 50 hours.

504 63 01-01 CE



542 19 97-13



542 17 62-23

WARNING

Machinery Hazard - Always keep all guards in place. Maquina en funcionamiento. Los capotes deben estar en posición.

All guards must be in place. Los capotes deben estar en posición.

504 62 84-01 CE



542 19 97-14



542 18 10-59

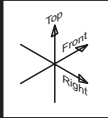
DIESEL

542 19 06-28

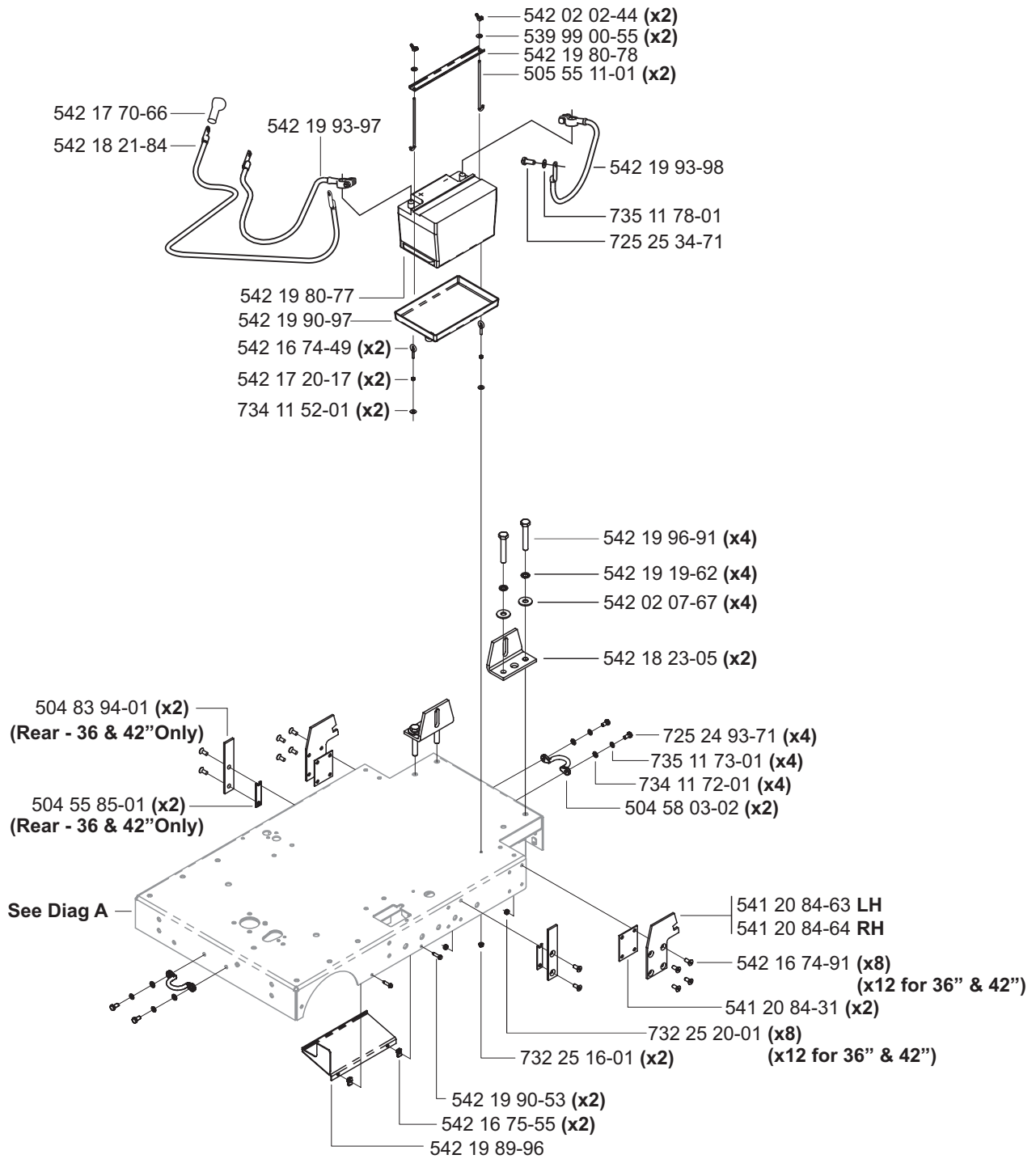
DRIVE (Engage):
Turn Knob Clockwise (Downward)

NEUTRAL:
Turn Knob Counter-Clockwise (Upward)

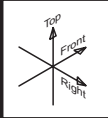
C Upper Frame



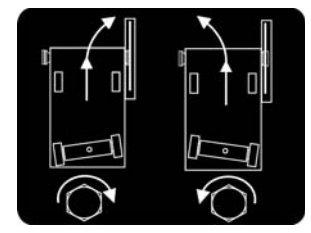
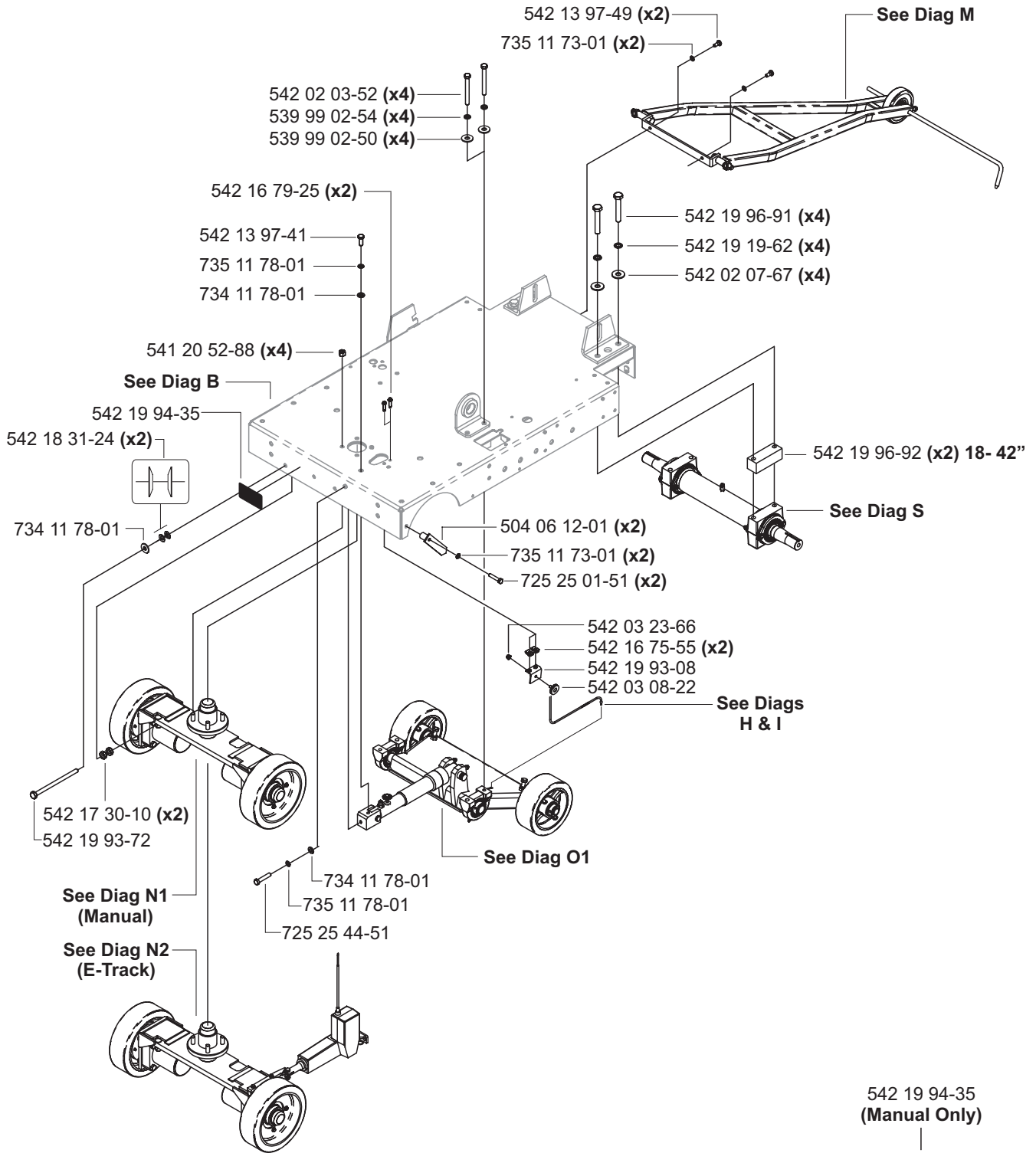
09.11.08



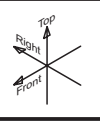
D Lower Frame with Pointers



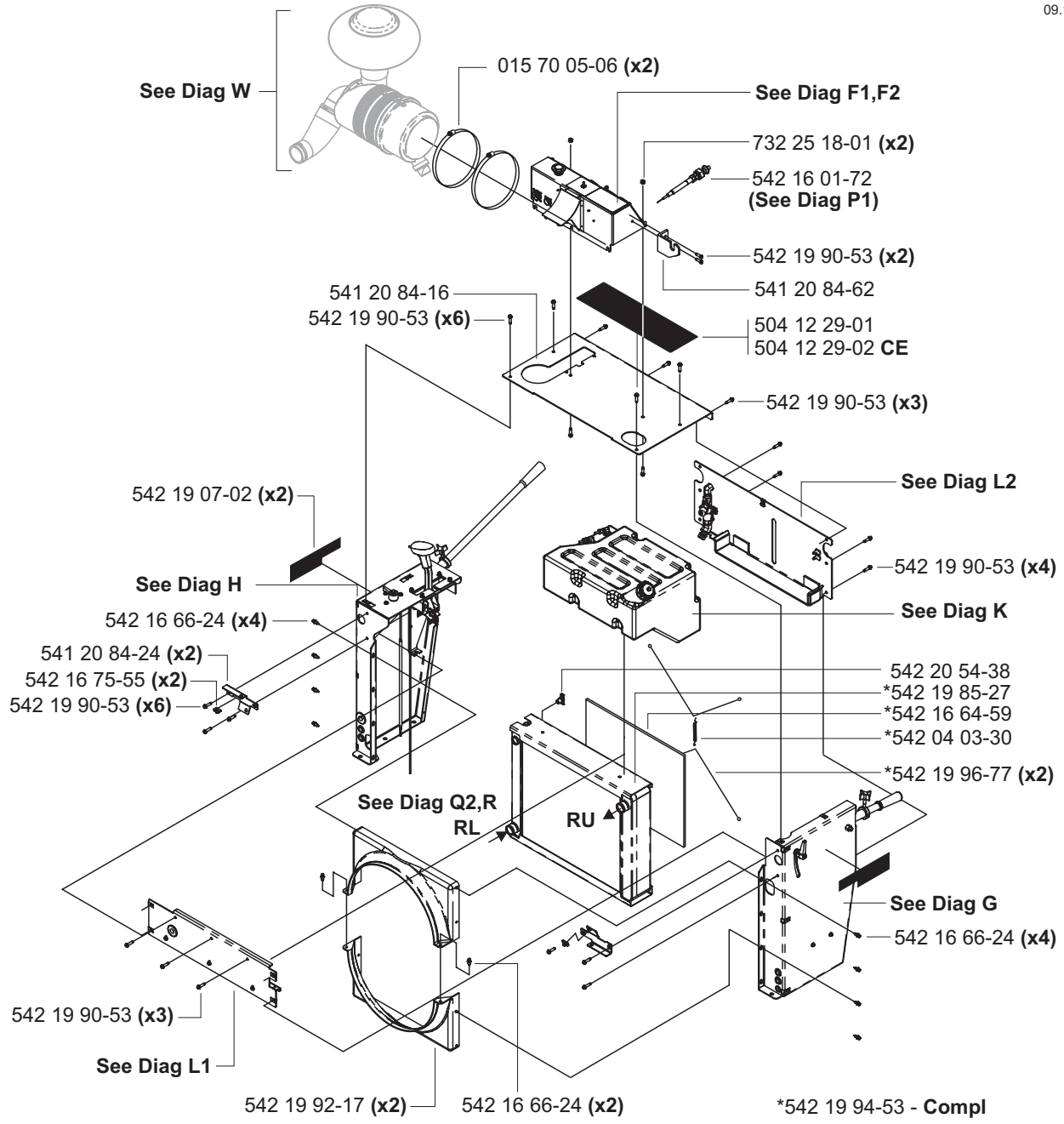
09.16.08



E Cowling



09.11.08



542 19 07-02



504 12 29-01

504 12 29-02

WARNING

FAILURE TO FOLLOW THE WARNINGS AND INSTRUCTIONS BELOW MAY RESULT IN SERIOUS INJURY OR DEATH.

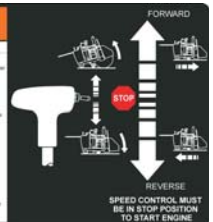
- Read and understand the manual before operating the machine. Understand all safety instructions and warnings. If you do not understand an instruction, call your retailer.
- Always use approved equipment.
- Never use damaged blades or equipment.
- Never operate the machine in areas of instability.
- Always use the machine only in well-ventilated areas.

CAUTION: Risk of Injury

- Always use the correct blade for the job of work being done. Check with the blade manufacturer if you do not know the blade is correct.
- Always use caution when filing and sharpening the machine. Use only the file that is listed in the manual when filing.
- Never use the machine until you are certain the blade is correct.
- Never allow other persons near the machine when sharpening.

CAUTION: Risk of Injury

- Always use approved equipment.
- Never use damaged blades or equipment.
- Never operate the machine in areas of instability.
- Always use the machine only in well-ventilated areas.



WARNING DIE WAARUNG WAARSCHUWING AVERTISSEMENT ADVERTENCIA AVVERTIMENTO

Read and understand the manual before operating the machine. Understand all safety instructions and warnings. If you do not understand an instruction, call your retailer.

Always use approved equipment.

Never use damaged blades or equipment.

Never operate the machine in areas of instability.

Always use the machine only in well-ventilated areas.

CAUTION: Risk of Injury

- Always use the correct blade for the job of work being done. Check with the blade manufacturer if you do not know the blade is correct.
- Always use caution when filing and sharpening the machine. Use only the file that is listed in the manual when filing.
- Never use the machine until you are certain the blade is correct.
- Never allow other persons near the machine when sharpening.

CAUTION: Risk of Injury

- Always use approved equipment.
- Never use damaged blades or equipment.
- Never operate the machine in areas of instability.
- Always use the machine only in well-ventilated areas.

CE

FORWARD

STOP

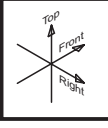
REVERSE

SPEED CONTROL MUST BE IN STOP POSITION TO START ENGINE.

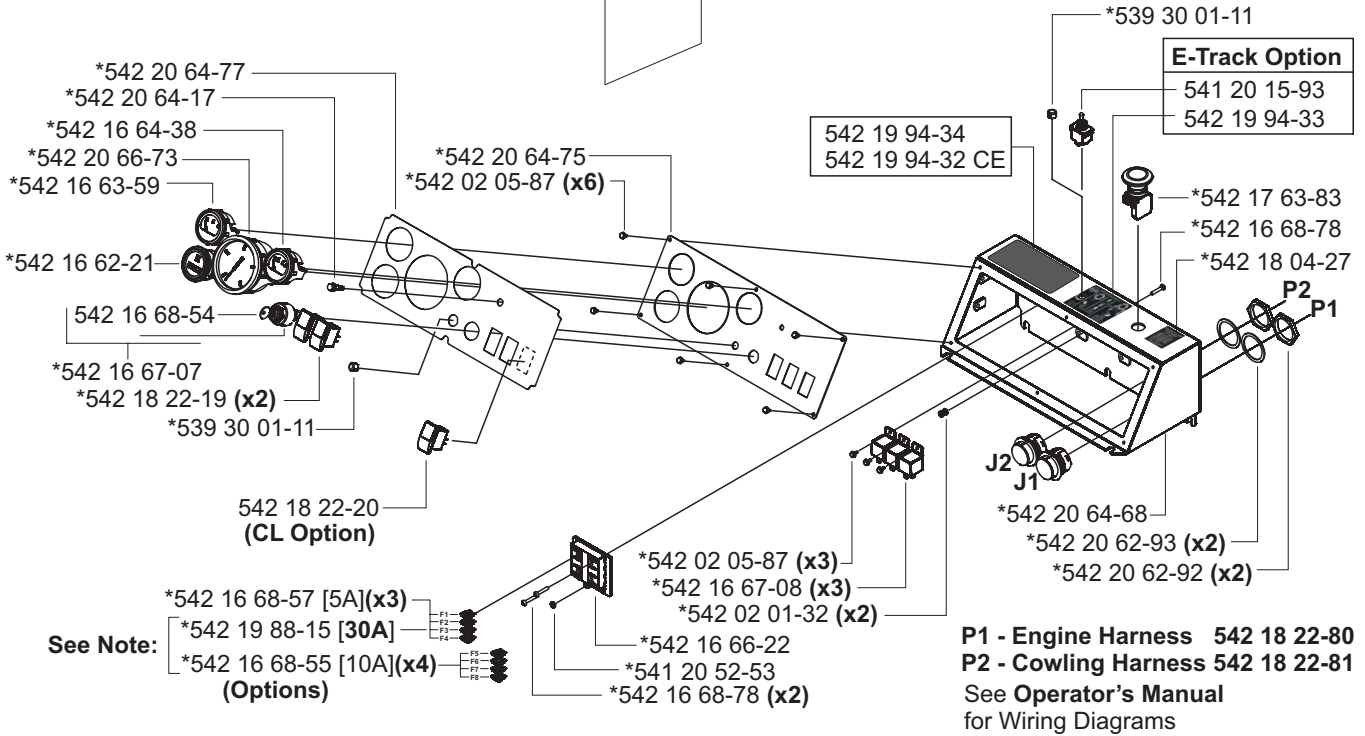
F1 Instrument Panel

**** 1-Speed ****

*542 20 64-72 Kit, Control Box - **Compl**



09.03.08



Note: 542 20 64-72 Panel comes with three (3) 5 Amp fuses installed in F1, F2 & F4.
 The third fuse down **MUST** be the 30 Amp fuse (542 19 88-15) for use on the FS6600.
 Install 10 Amp fuse(s) (542 16 68-55) according to Option feature(s) on your unit.

542 18 04-27

Covered By One Or More
 Of The Following
 U.S. Patents:
 4330664, 4330665, 4446004,
 4527550, 4621338, 4660006,
 4666006, 5481986, 5481785,
 5477840, 5650284, 5650285,
 5745374, 5660906, 5650286,
 5337037, 5366104, 5366116,
 5271716, 5376996
 Other U.S. And Foreign
 Patents Pending

542 20 64-77

542 19 94-34

ENGINE SPEED / BLADE SIZE					
BLADE SHAFT		ENGINE SPEED			
BLADE SIZE	FLANGE SIZE	LOADED RPM	PULLEY SIZE	LOADED RPM	MAX RPM
14"	6"	2400	4.12"	2800	4.75" 3000
18"	6"	1800	4.75"	2800	4.12" 3000
20"	6"	1600	4.75"	2800	3.65" 3000
30"	6"	1350	5.60"	2800	3.65" 3000
42"	7"	1180	6.4"	2800	3.65" 3000

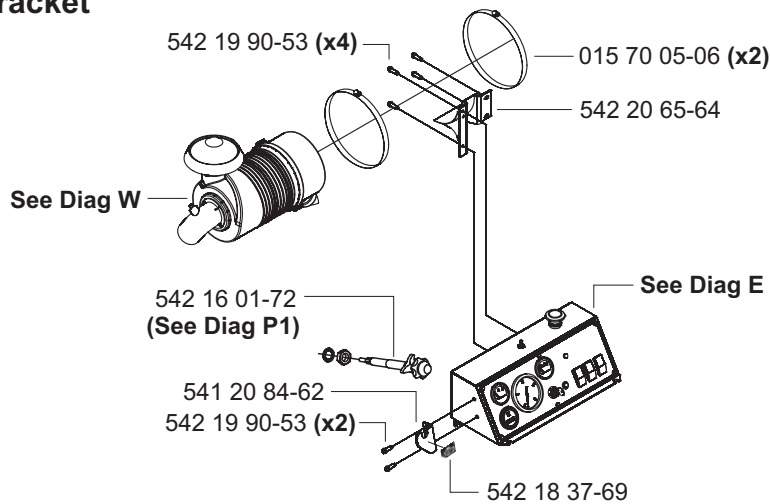
542 19 94-32 CE

542 19 94-33

Air Cleaner Bracket



06.25.07

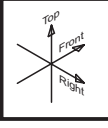


542 18 37-69



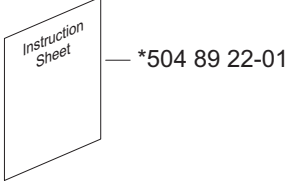
F2 Instrument Panel

** 3-Speed **



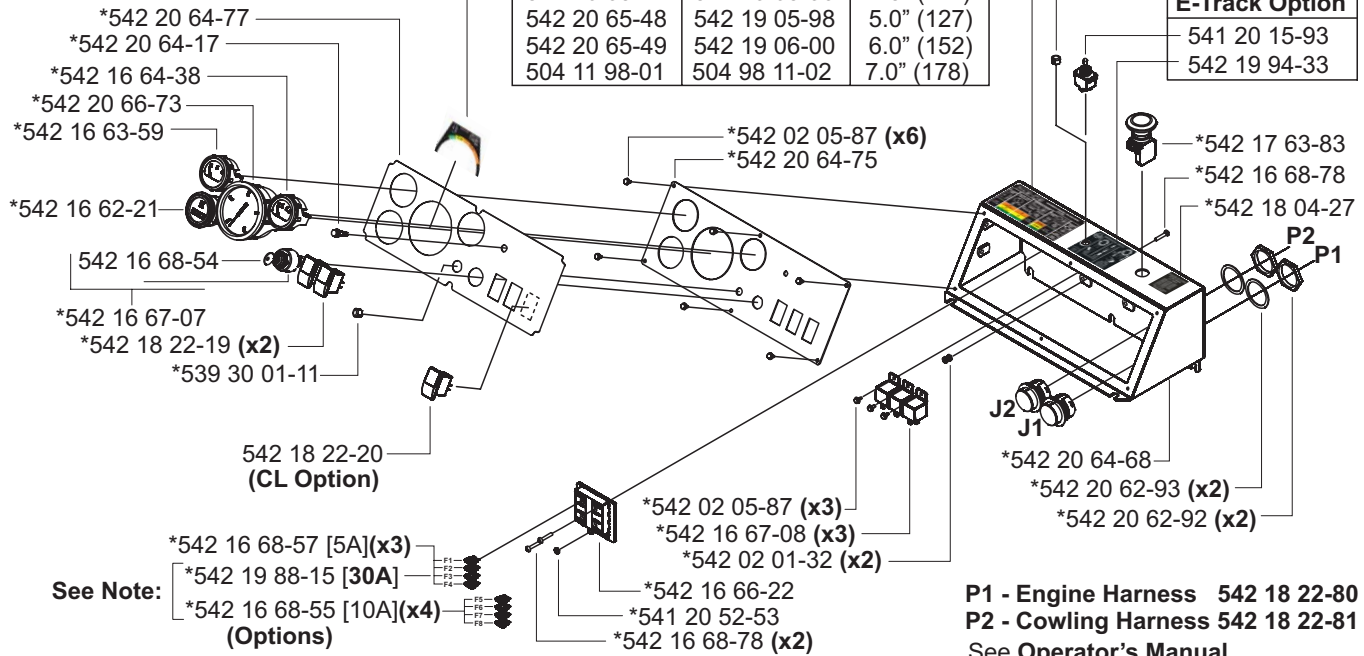
09.03.08

*542 20 64-72 Kit, Control Box - Compl



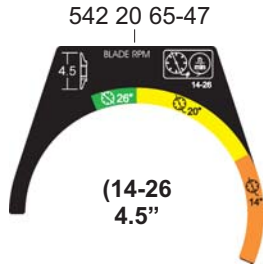
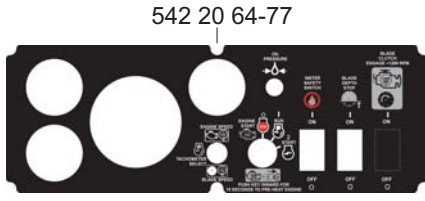
Tachometer Blade RPM *Decal No	G-Box Range Engine RPM *Decal No	Flange Dia Inch (mm)
542 20 65-47	542 19 05-96	4.5" (114)
542 20 65-48	542 19 05-98	5.0" (127)
542 20 65-49	542 19 06-00	6.0" (152)
504 11 98-01	504 98 11-02	7.0" (178)

E-Track Option	
541 20 15-93	
542 19 94-33	



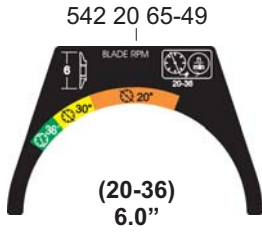
P1 - Engine Harness 542 18 22-80
 P2 - Cowling Harness 542 18 22-81
 See Operator's Manual for Wiring Diagrams

Note: 542 20 64-72 Panel comes with three (3) 5 Amp fuses installed in F1, F2 & F4. The third fuse down MUST be the 30 Amp fuse (542 19 88-15) for use on the FS6600. Install 10 Amp fuse(s) (542 16 68-55) according to Option feature(s) on your unit.



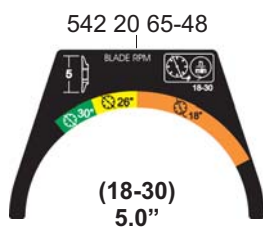
504 11 98-07 (CE)

GEARBOX RANGE / BLADE RPM (14-26, FS 6600 / FS 8400) (FS 6600 FS 8400)					
FLANGE SIZE	BLADE SIZE (Inch/mm)	GEARBOX RANGE	BLADE RPM	ENGINE RPM	PULLEY
4.50" / 114 mm	30" / 762 mm	3	4.50" / 114 mm	3100	4.12" / 105 mm
	20" / 508 mm	2	114 mm	2180	105 mm
	14" / 356 mm	1	11870	2800	2800



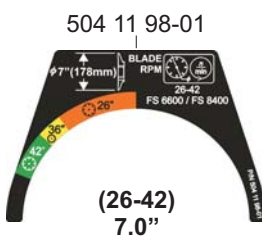
504 11 98-09 (CE)

GEARBOX RANGE / BLADE RPM (20-36, FS 6600 / FS 8400) (FS 6600 FS 8400)					
FLANGE SIZE	BLADE SIZE (Inch/mm)	GEARBOX RANGE	BLADE RPM	ENGINE RPM	PULLEY
6.00" / 152 mm	30" / 762 mm	3	4.12" / 105 mm	2300	4.12" / 105 mm
	20" / 508 mm	2	105 mm	1620	121 mm
	14" / 356 mm	1	1190	2800	2800



504 11 98-08 (CE)

GEARBOX RANGE / BLADE RPM (18-30, FS 6600 / FS 8400) (FS 6600 FS 8400)					
FLANGE SIZE	BLADE SIZE (Inch/mm)	GEARBOX RANGE	BLADE RPM	ENGINE RPM	PULLEY
5.00" / 127 mm	30" / 762 mm	3	4.12" / 105 mm	2680	4.12" / 105 mm
	20" / 508 mm	2	105 mm	1880	105 mm
	14" / 356 mm	1	1600	2800	2800

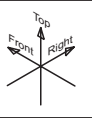
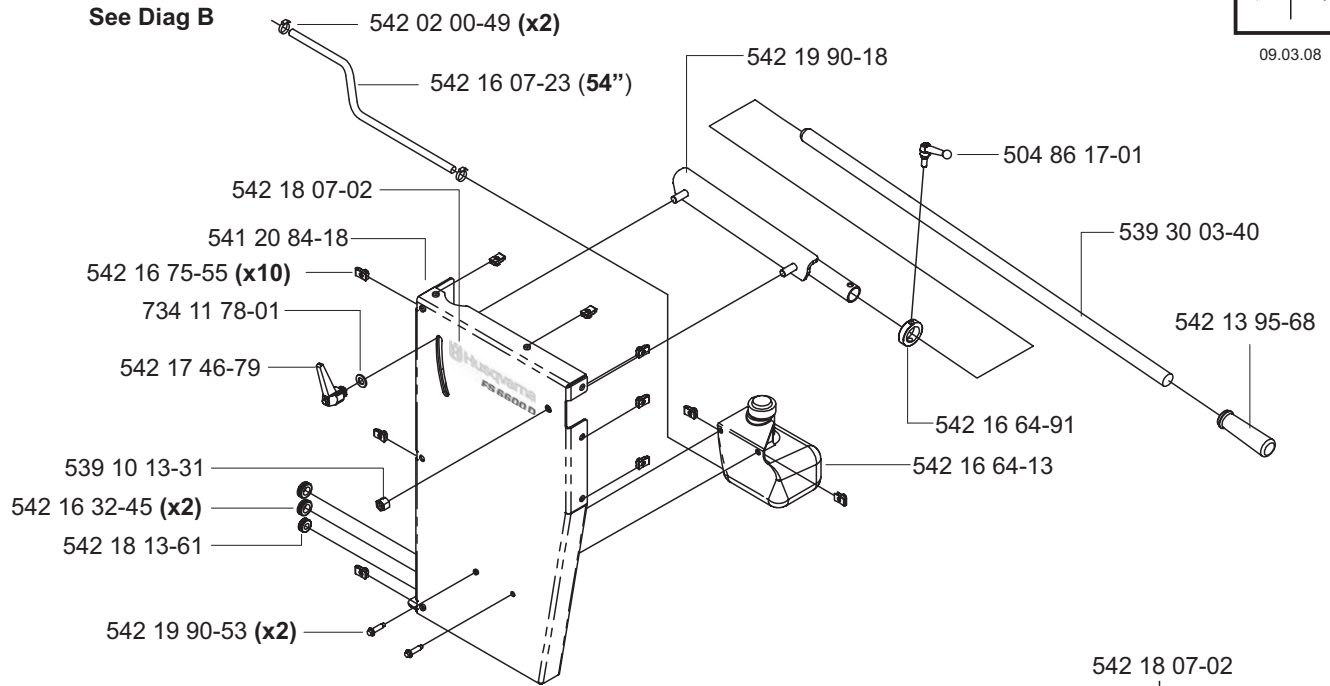


504 11 98-02 (CE)

GEARBOX RANGE / BLADE RPM (26-42, FS 6600 / FS 8400) (FS 6600 FS 8400)					
FLANGE SIZE	BLADE SIZE (Inch/mm)	GEARBOX RANGE	BLADE RPM	ENGINE RPM	PULLEY
7.00" / 178 mm	30" / 762 mm	3	4.12" / 105 mm	1960	4.90" / 124 mm
	20" / 508 mm	2	105 mm	1380	142 mm
	14" / 356 mm	1	1160	2800	2800

G Cowling Side - L.H.

See Diag B

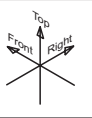
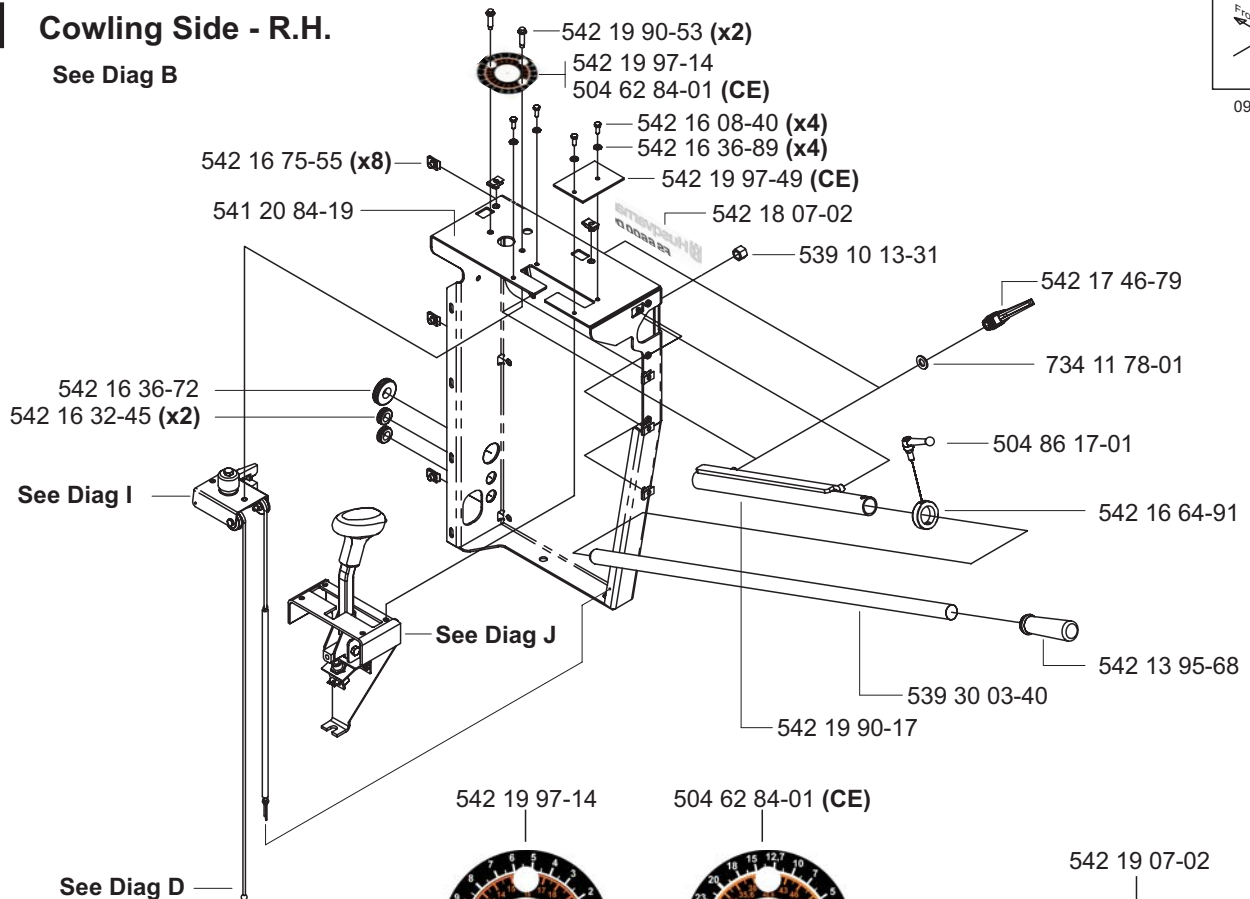


09.03.08

 **Husqvarna**
FS 6600 D

H Cowling Side - R.H.

See Diag B

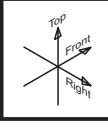


09.03.08

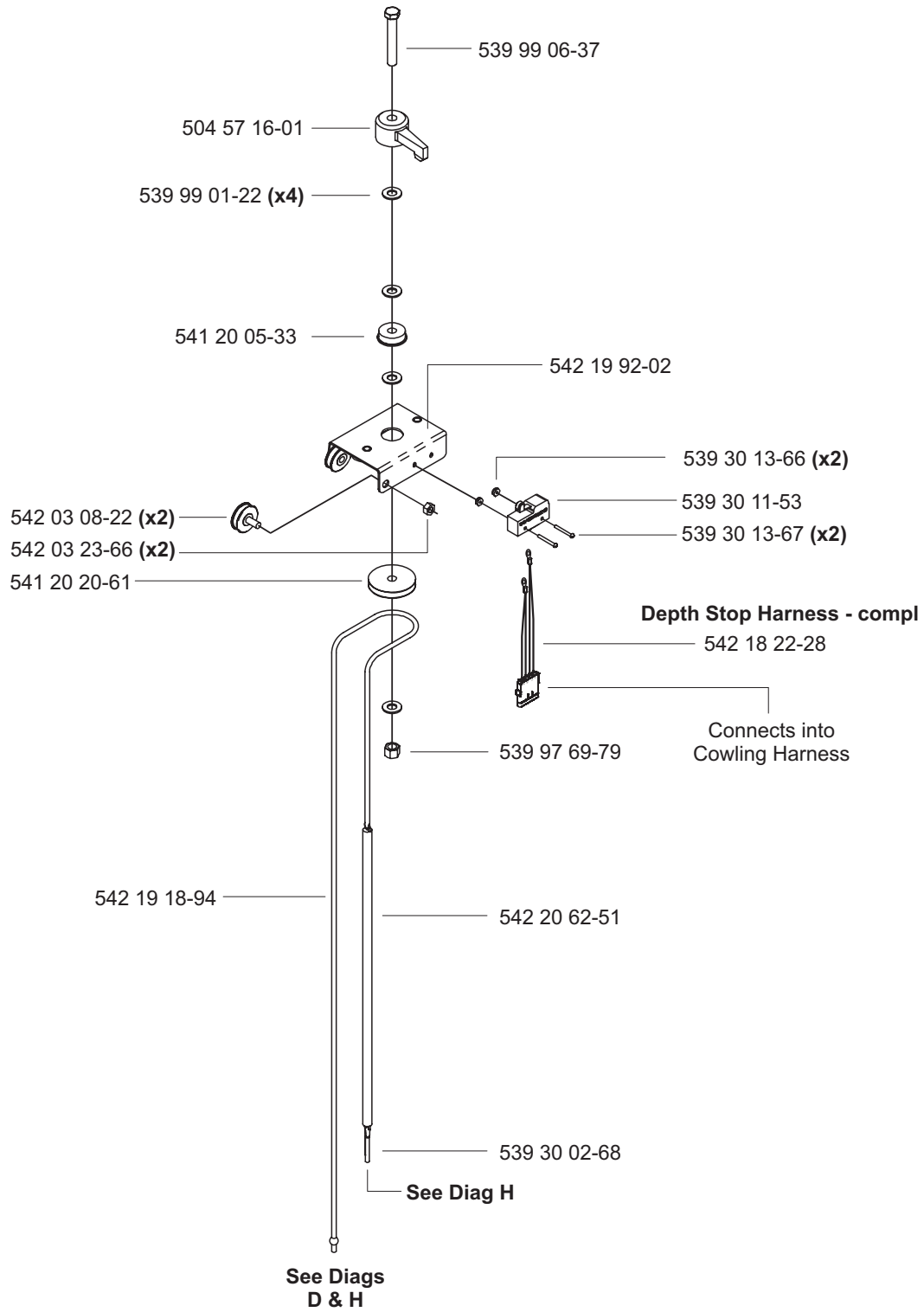
 **Husqvarna**
FS 6600 D

Depth Indicator

See Diag H



09.04.08



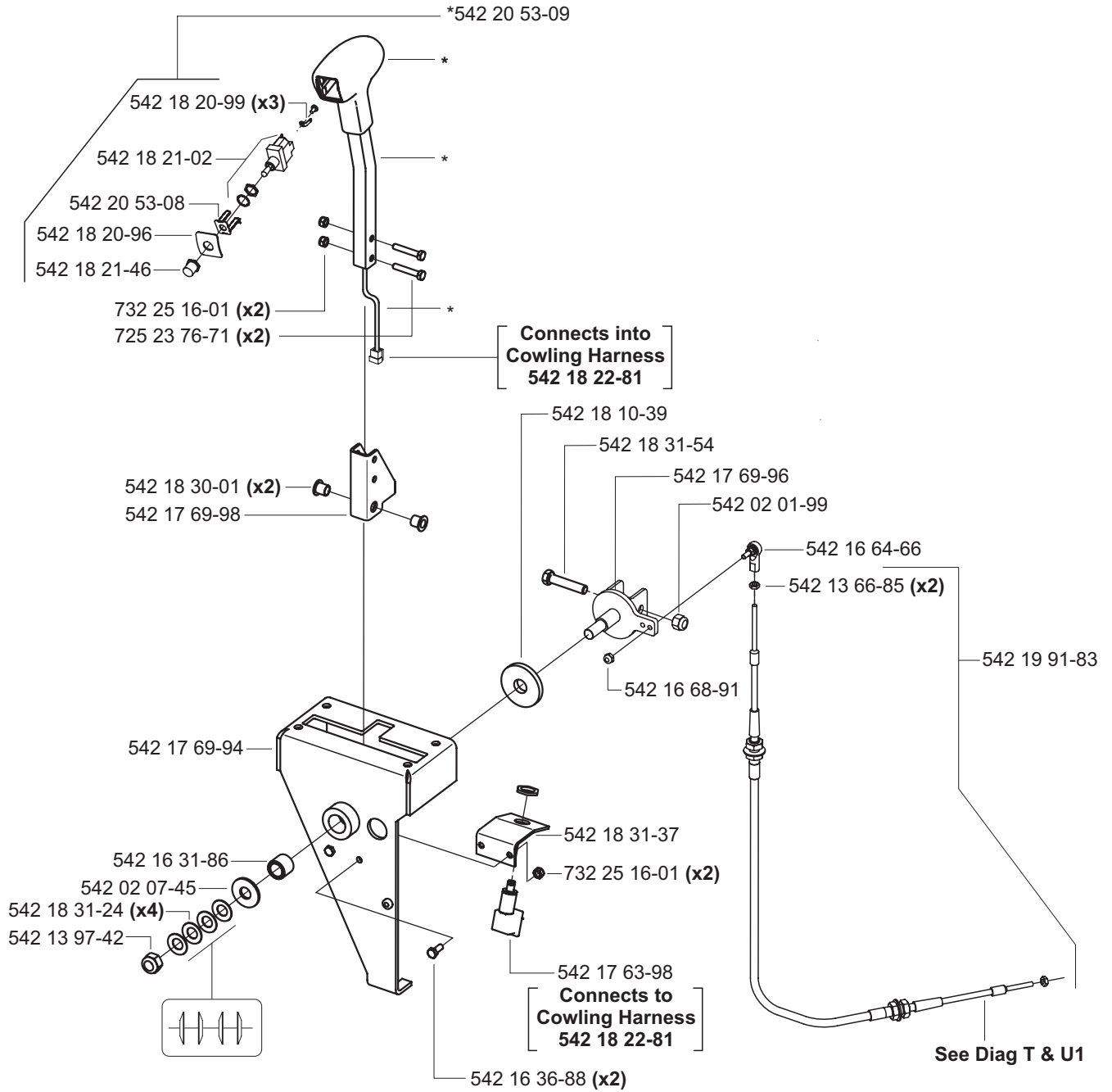
J Speed Control

Speed Control - Compl. 542 19 94-51
See Diag H



07.11.07

*Handle & Switch - Compl. 542 19 92-22

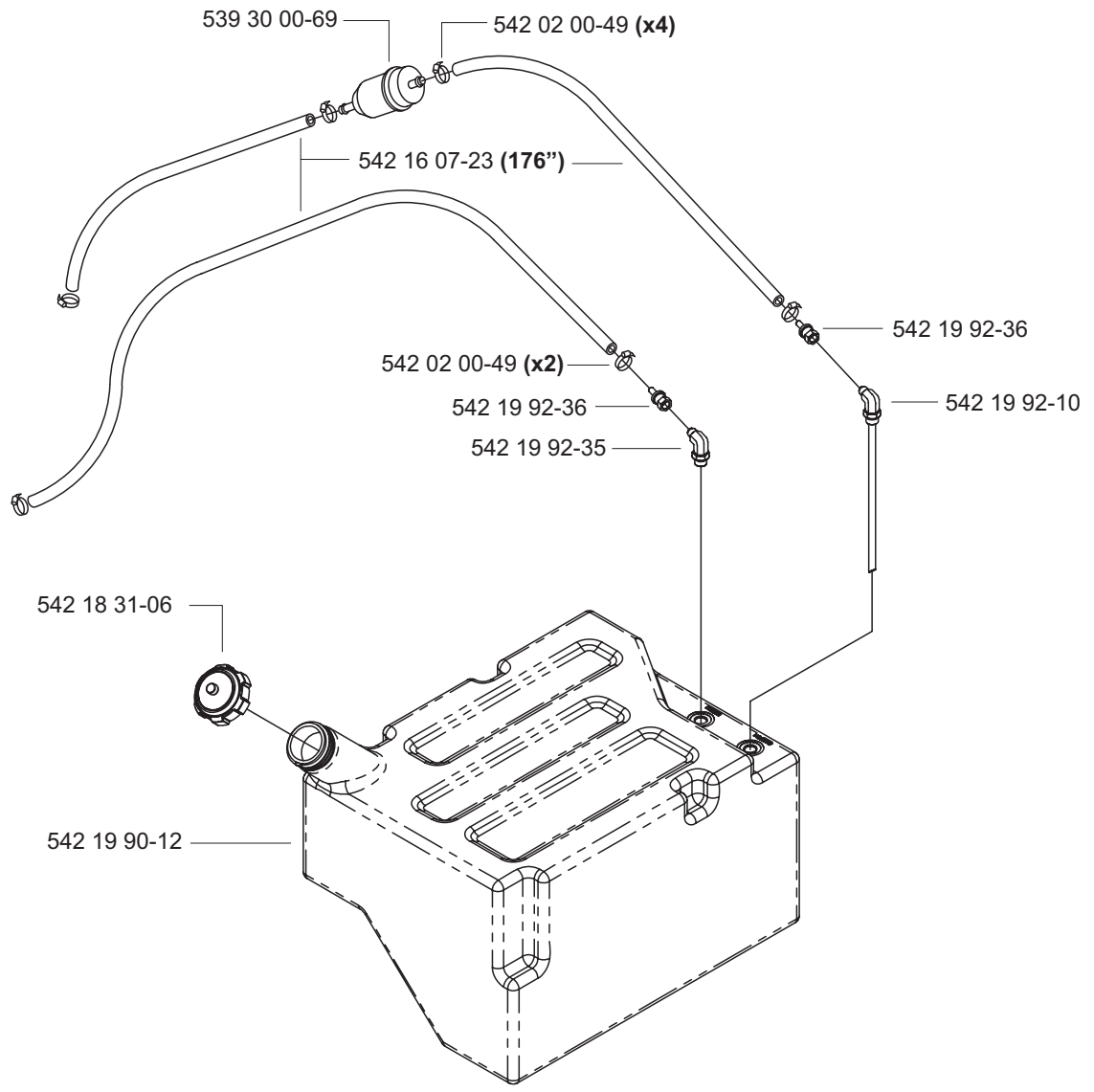


K Fuel Tank

See Diag E

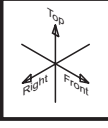


07.11.07

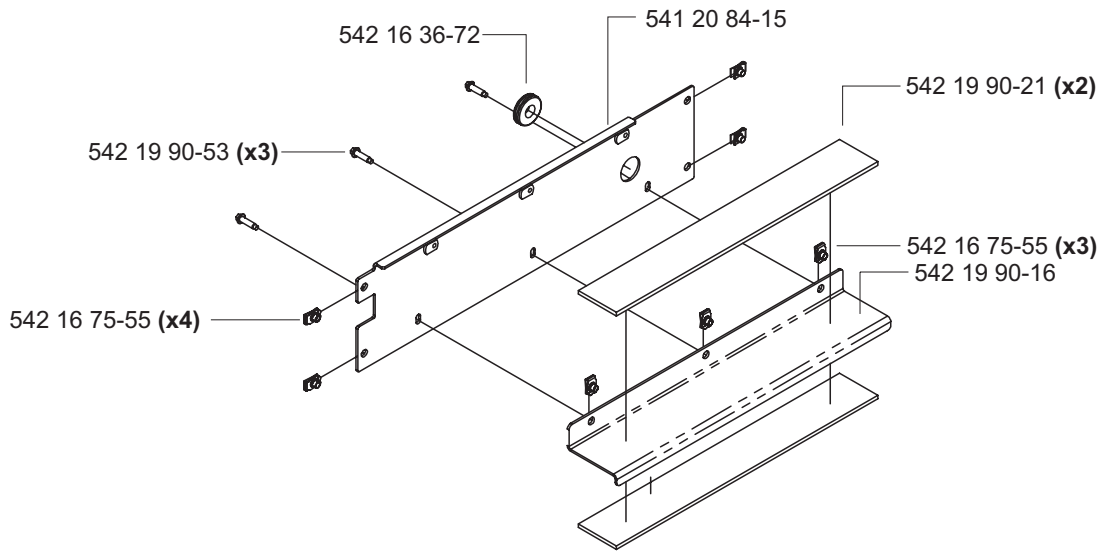


L1 Cowling - Front

See Diag E

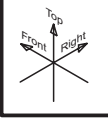


06.26.07

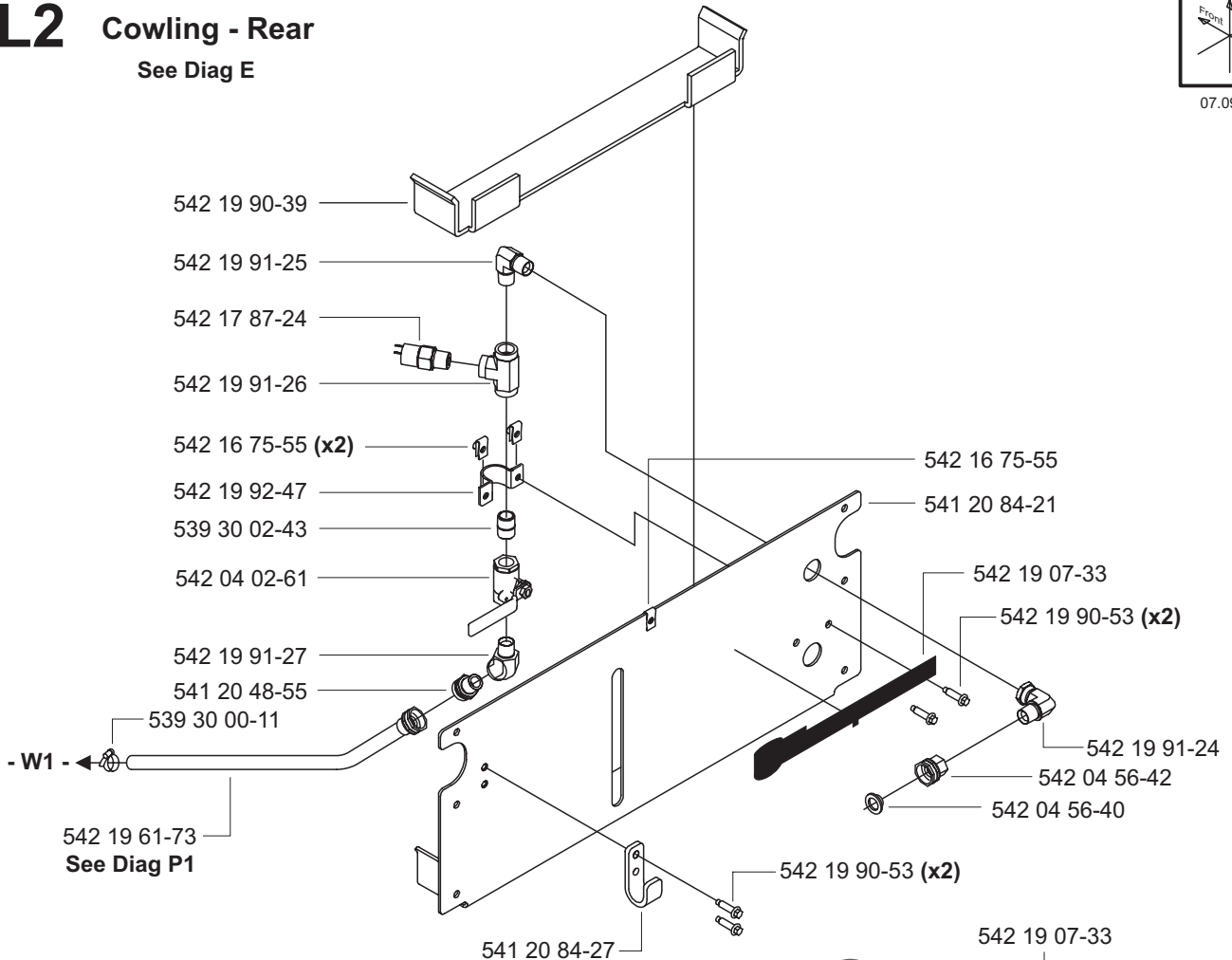


L2 Cowling - Rear

See Diag E

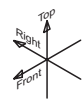


07.09.07



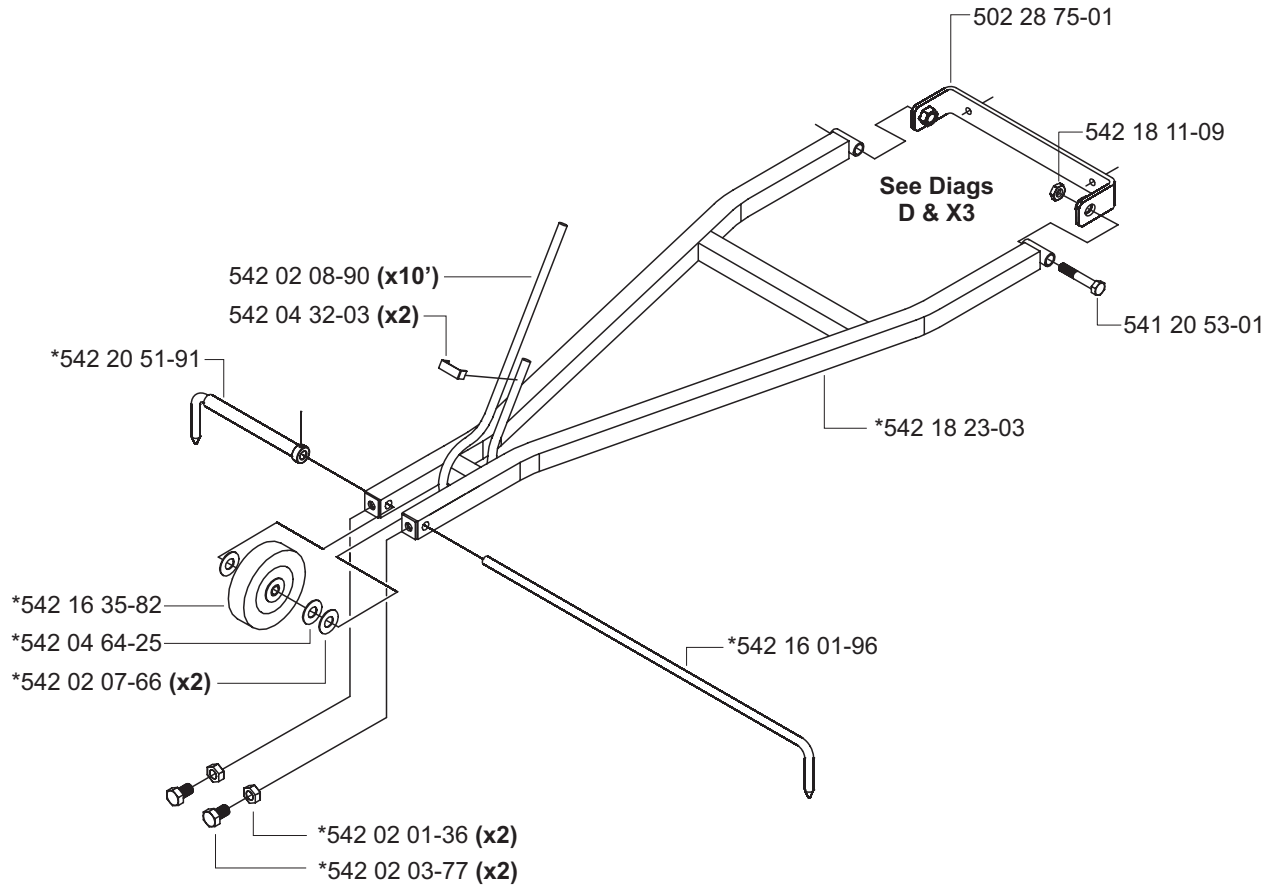
M Front Pointer

See Diag D



07.11.07

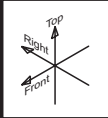
* 542 18 33-96 Front Pointer - Compl



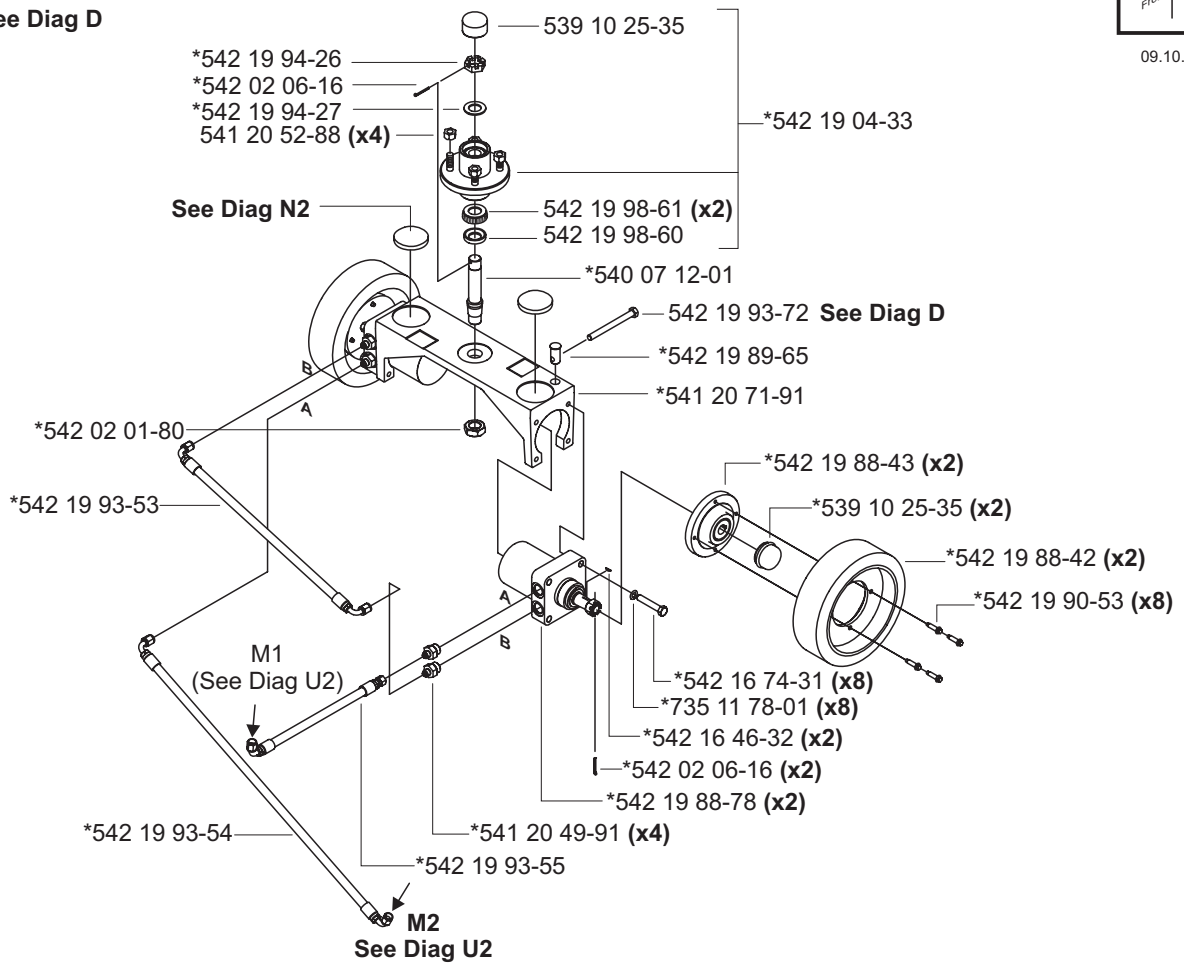
N1 Rear Axle - Manual

See Diag D

*542 19 95-55 Rear Axle - Compl



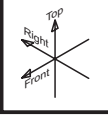
09.10.08



N2 Rear Axle - E-Track

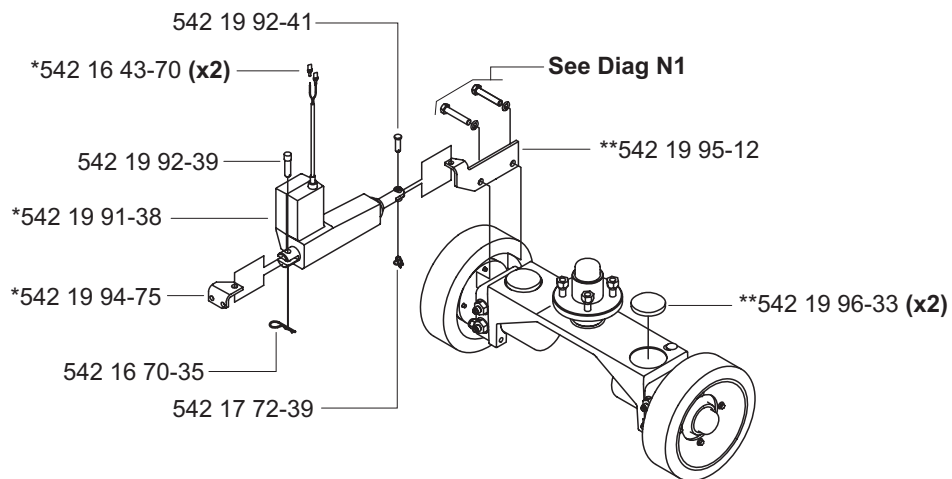
See Diag D

**542 19 93-34 Rear Axle - Compl
(Incls: 542 19 95-55 - See Diag N1)



09.10.08

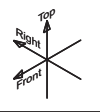
*542 19 94-94 Actuator - Compl



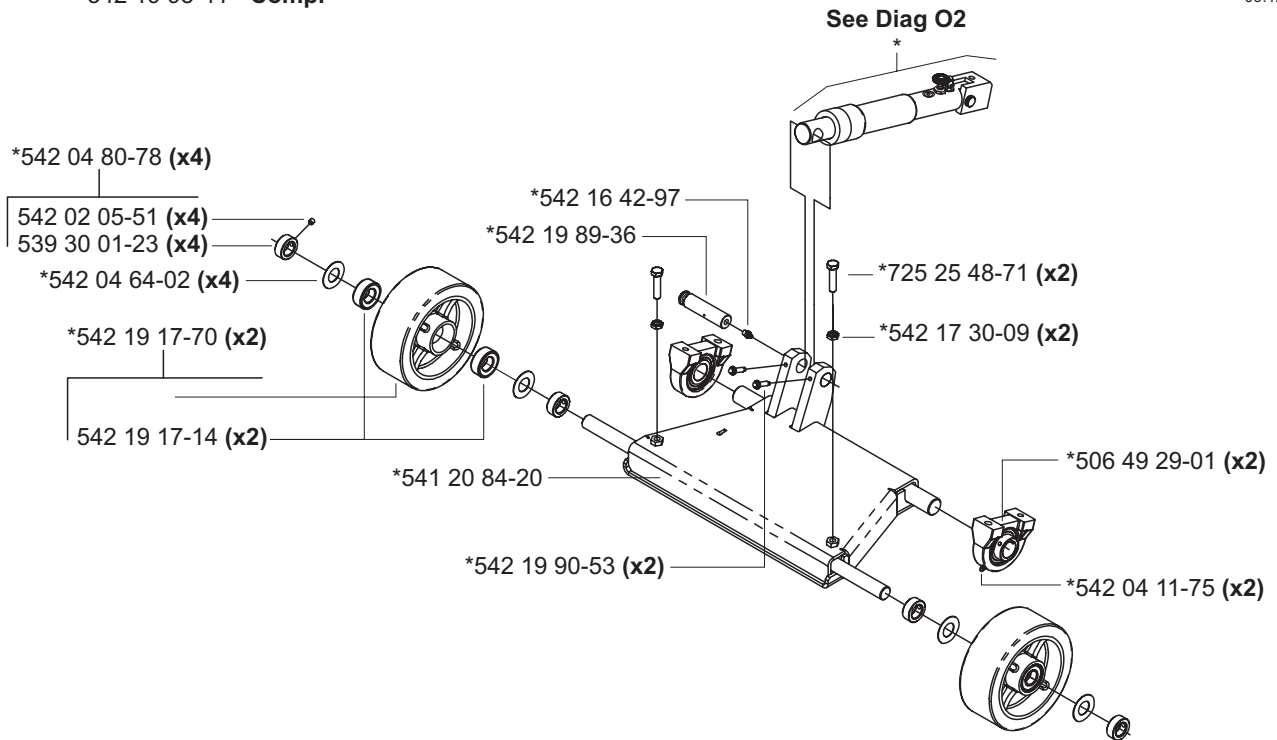
O1 Front Axle

See Diag D

*542 19 93-41 - Compl

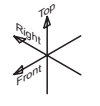


09.12.08

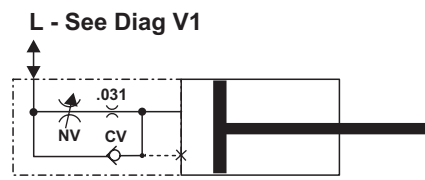
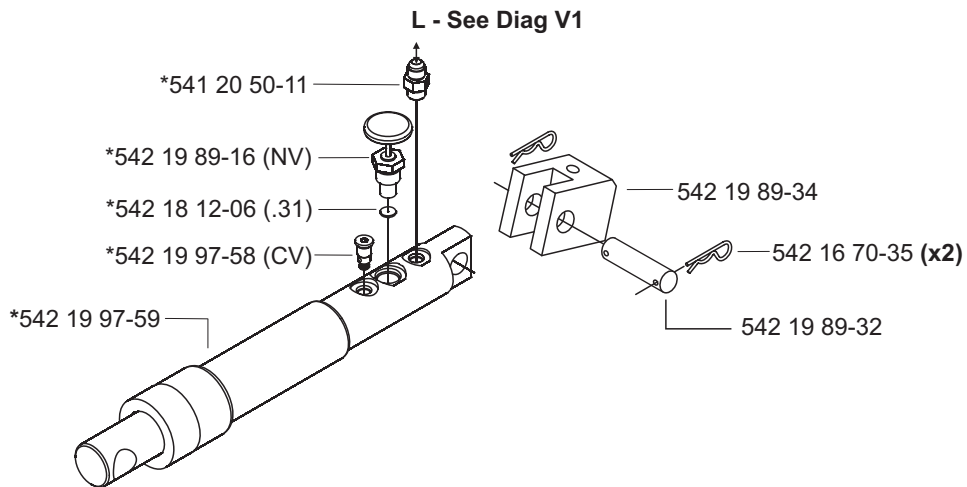


O2 Hydraulic Lift Cylinder

*542 19 97-61 - compl



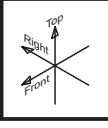
06.26.07



HYDRAULIC SCHEMATIC
(See Operators Manual)

P1 Engine, Fan & Gearbox

** 1-Speed **

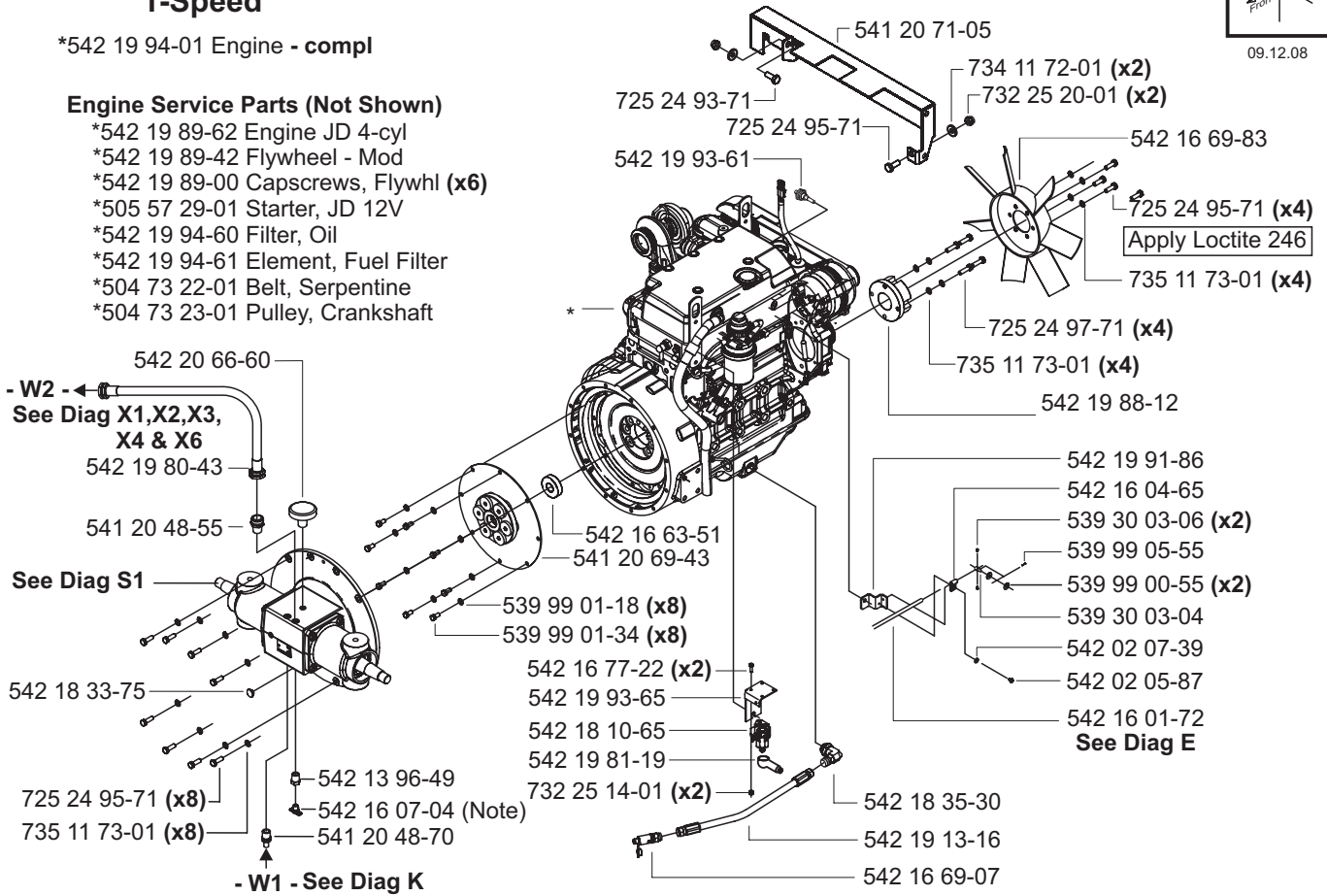


09.12.08

*542 19 94-01 Engine - compl

Engine Service Parts (Not Shown)

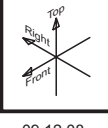
- *542 19 89-62 Engine JD 4-cyl
- *542 19 89-42 Flywheel - Mod
- *542 19 89-00 Capscrews, Flywhl (x6)
- *505 57 29-01 Starter, JD 12V
- *542 19 94-60 Filter, Oil
- *542 19 94-61 Element, Fuel Filter
- *504 73 22-01 Belt, Serpentine
- *504 73 23-01 Pulley, Crankshaft



NOTE: Drain water when Temperature below 32°F (0°C).

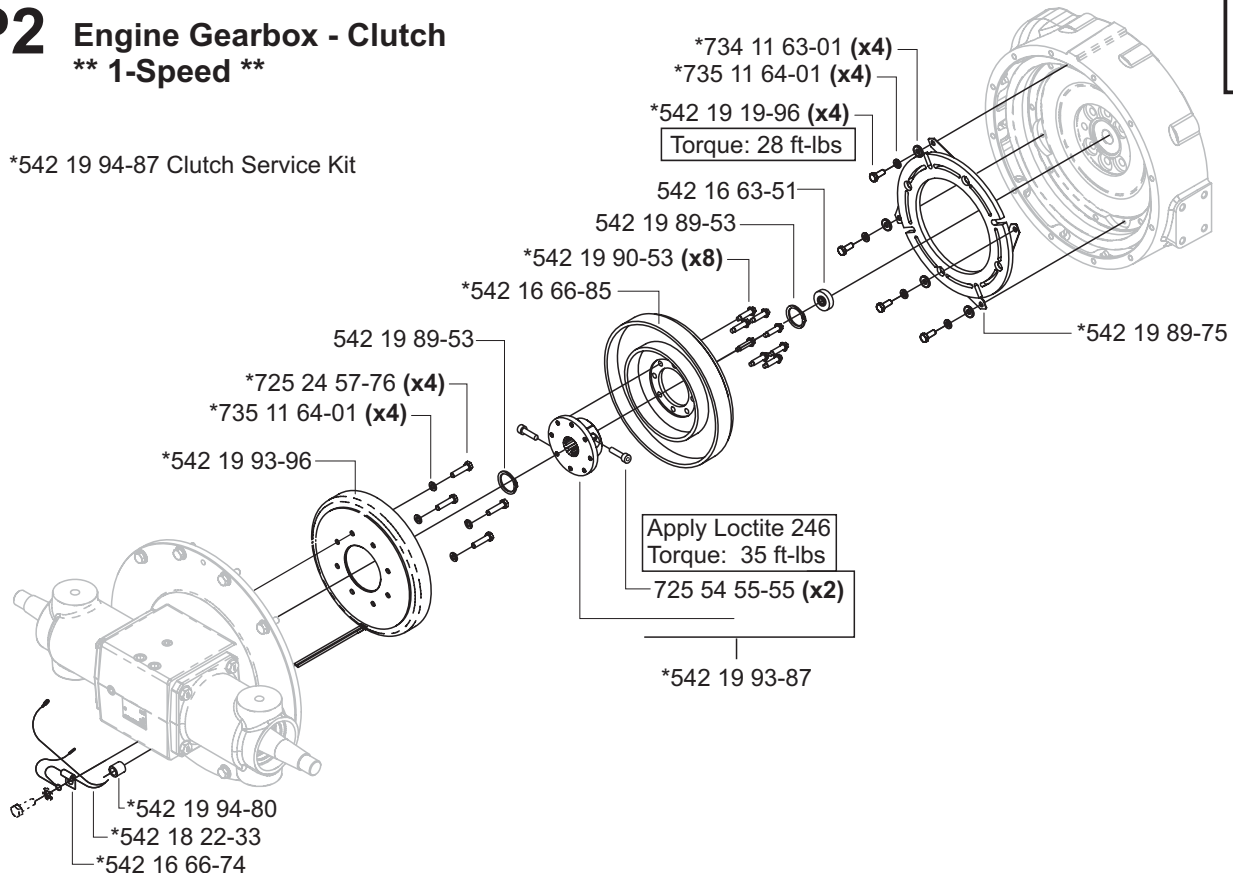
P2 Engine Gearbox - Clutch

** 1-Speed **



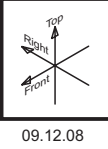
09.12.08

*542 19 94-87 Clutch Service Kit

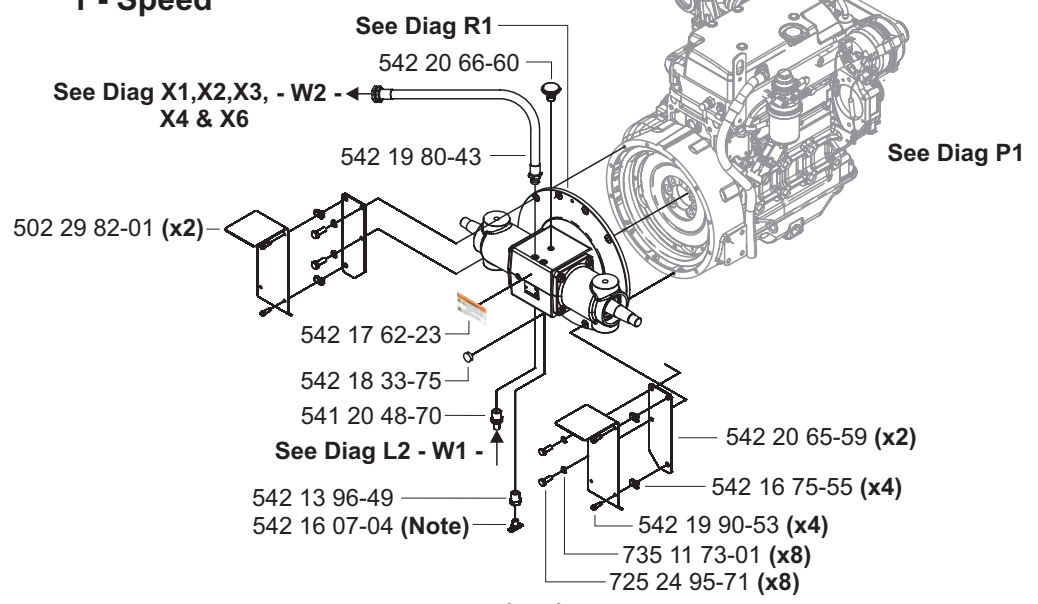


P3 Gearbox & Belt Guard

**** 1 - Speed ****



09.12.08



NOTE: Drain water when Temperature below 32°F (0°C).

WARNING

Machinery Hazard - Always keep all guards in place.
 Maquinaria en funcionamiento.
 Los capotes deben estar en posición.

All guards must be in place.
 Los capotes deben estar en posición.

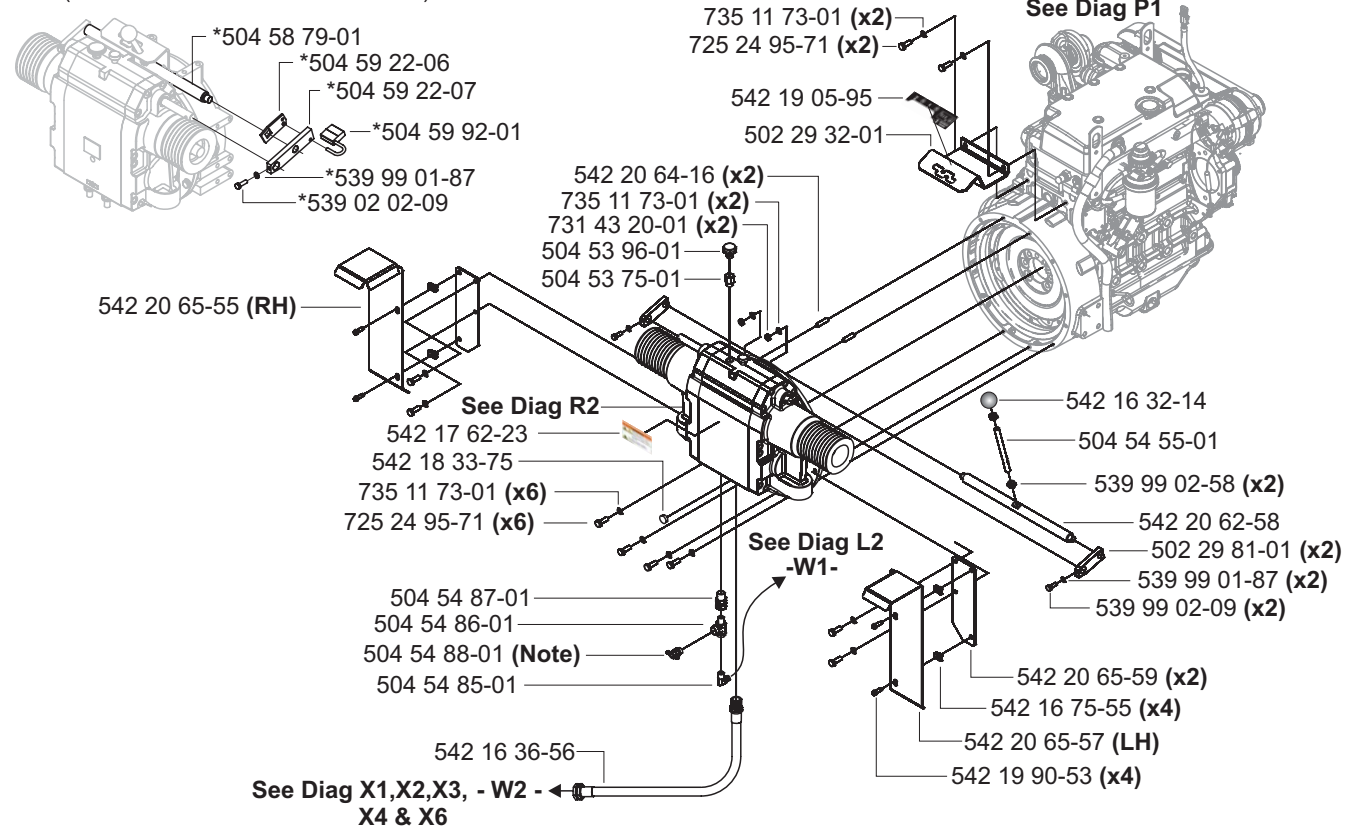
P4 Gearbox & Belt Guard

**** 3 - Speed **** Eff. Serial No: 1238795001



09.12.08

*504 61 01-02 Kit, Shifter Lockout
 (Includes 504 61 10-01 Inst Sheet)



NOTE: Drain water when Temperature below 32°F (0°C).

542 19 05-95

542 17 62-23

WARNING

Machinery Hazard - Always keep all guards in place.
 Maquinaria en funcionamiento.
 Los capotes deben estar en posición.

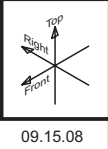
All guards must be in place.
 Los capotes deben estar en posición.

504 55 97-01
 See Diag A

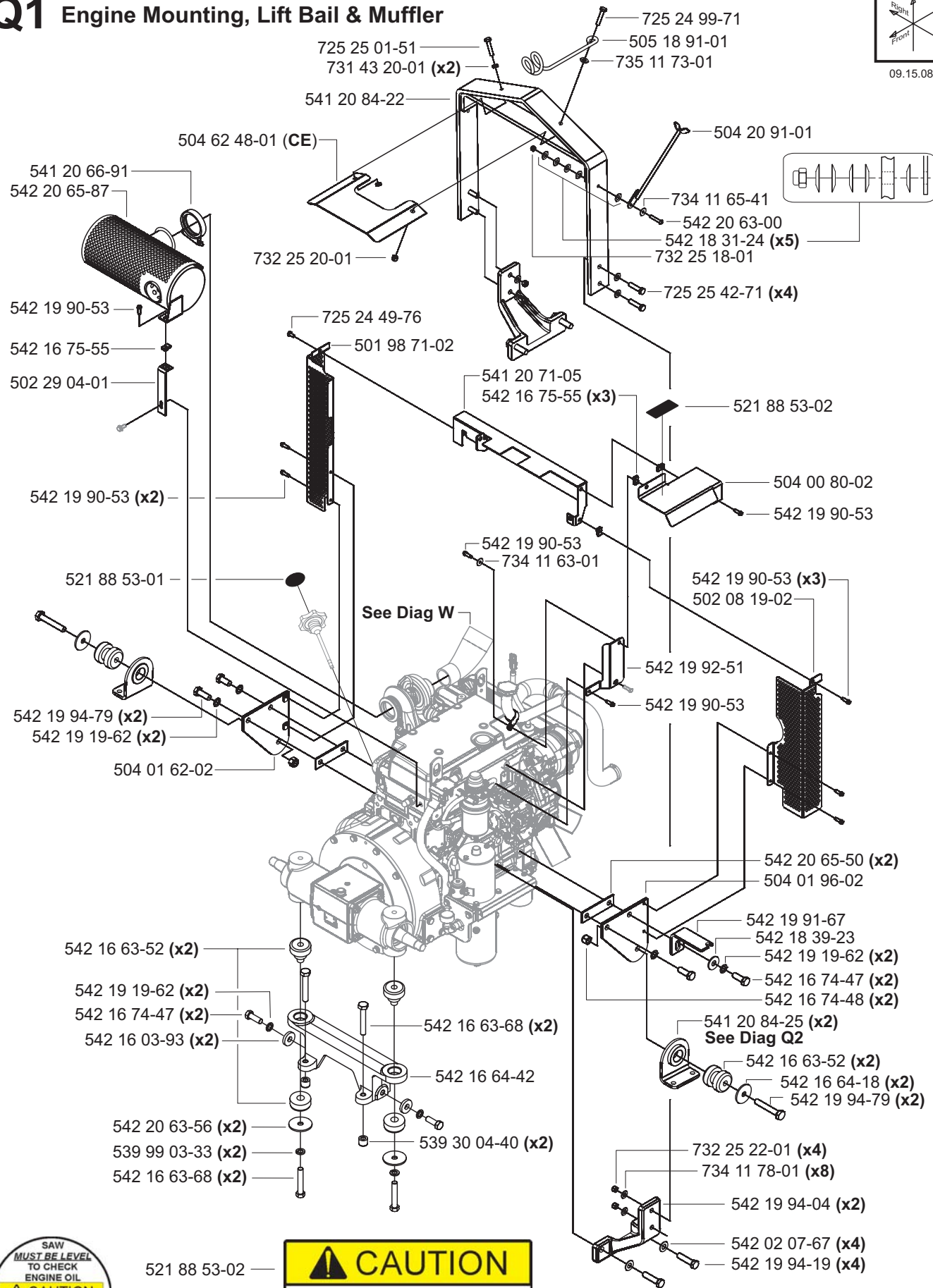
WARNING

Read Operation Manual.
 Match Gearbox Speed, Blade & Flange Size!
 Else Injury Or Death Could Occur!
 Slip Engine Manually.
 Maquinaria en funcionamiento.
 Los capotes deben estar en posición.

Q1 Engine Mounting, Lift Bail & Muffler



09.15.08

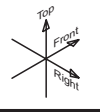


521 88 53-02
521 88 53-01

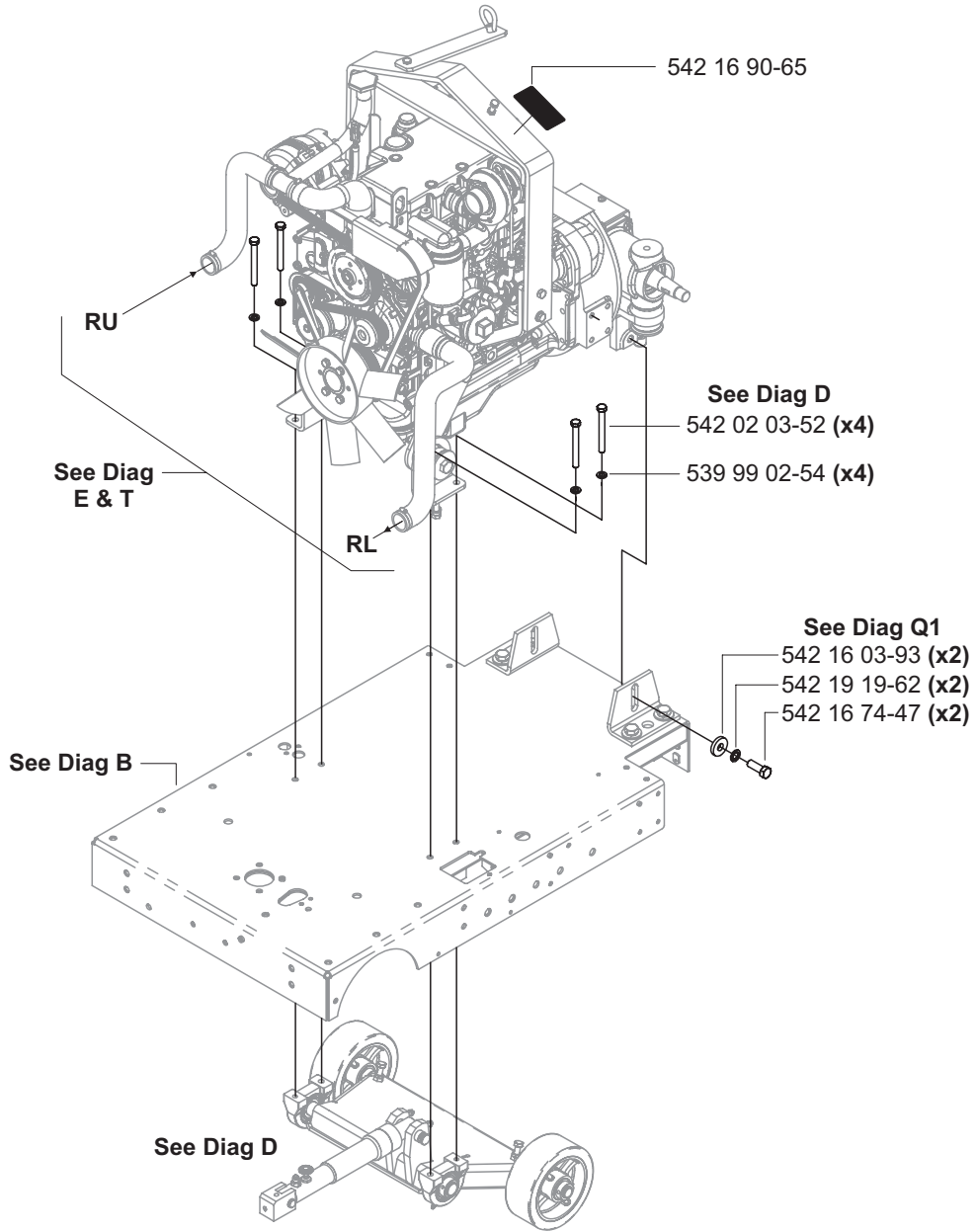
CAUTION

THE SAW MUST BE LEVEL WHEN THE ENGINE OIL IS CHECKED. SEVERE ENGINE DAMAGE WILL OCCUR IF THE ENGINE IS OVERFILLED WITH OIL.

Q2 Engine Mounting



07.05.07

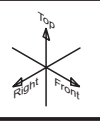


542 16 90-65



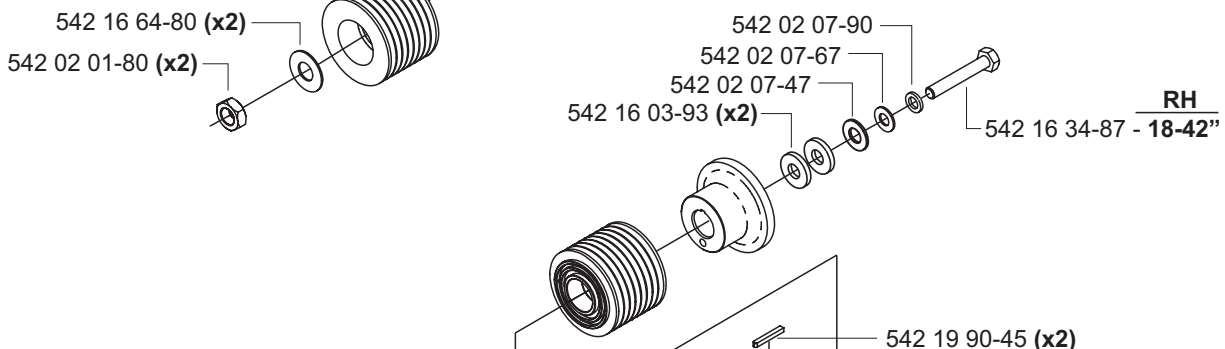
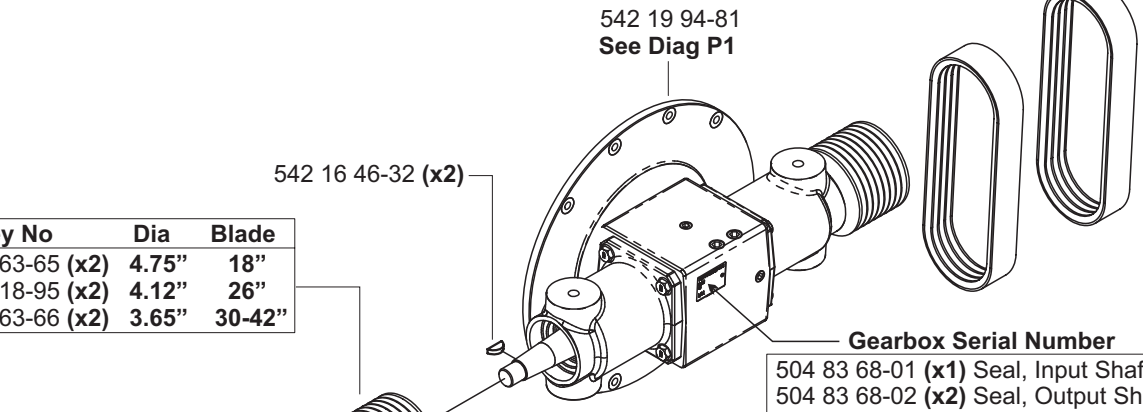
R1 Gearbox-Blade Shaft

**** 1-Speed ****

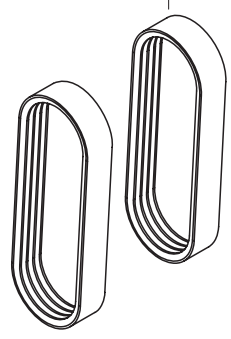
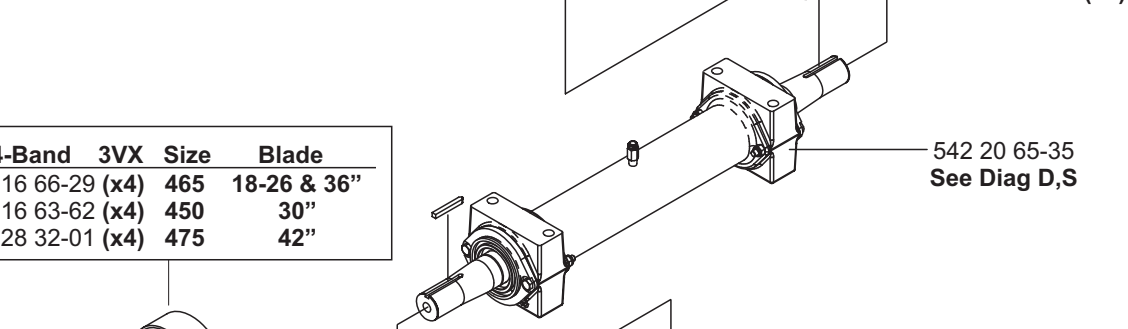


09.02.08

Pulley No	Dia	Blade
542 16 63-65 (x2)	4.75"	18"
542 19 18-95 (x2)	4.12"	26"
542 16 63-66 (x2)	3.65"	30-42"

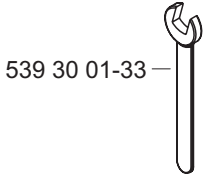


4-Band	3VX	Size	Blade
542 16 66-29 (x4)	465	18-26 & 36"	
542 16 63-62 (x4)	450	30"	
505 28 32-01 (x4)	475	42"	



Pulley No	Dia	Blade
542 19 88-66 (x2)	4.12"	18"
542 19 88-58 (x2)	4.75"	26-30"
542 19 88-65 (x2)	5.60"	36"
542 19 91-60 (x2)	6.40"	42"

Inner Flange	Dia	Blade
541 20 68-88 (x2)	5"	18-30"
542 19 88-64 (x2)	6"	36"
542 19 93-17 (x2)	7"	42"

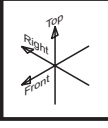


Outer Flange w/ Dowel Pin	Dia	Blade	Dowel Pin	Dia x Lg
542 16 63-07	5"	18-30"	505 53 19-01	.375 x 1.50"
542 16 32-72	6"	36"	505 53 19-01	.375 x 1.50"
542 19 93-78	7"	42"	542 16 34-85	.375 x 1.75"

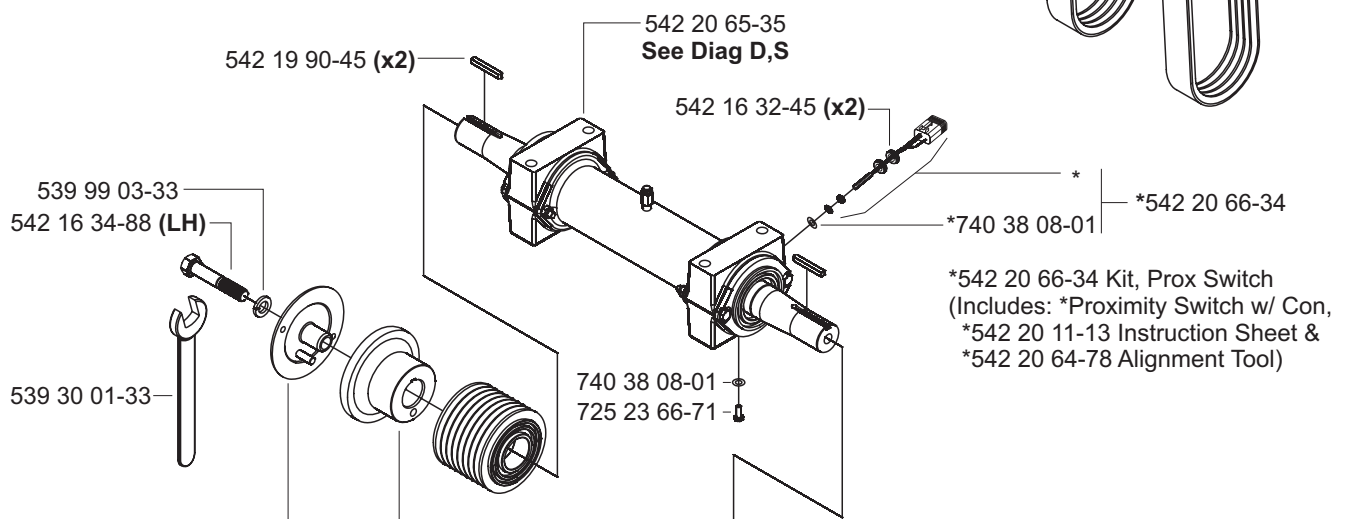
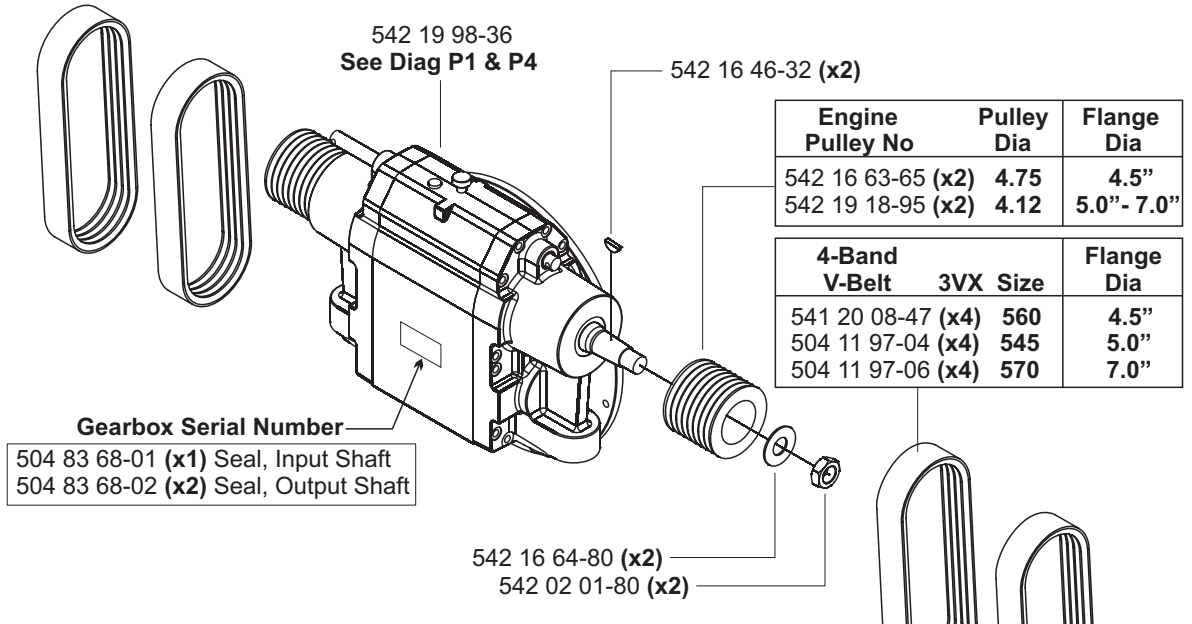
541 20 71-00 - Kit, Sheave Puller (Optional)

R2 Gearbox-Blade Shaft

**** 3 - Speed ****

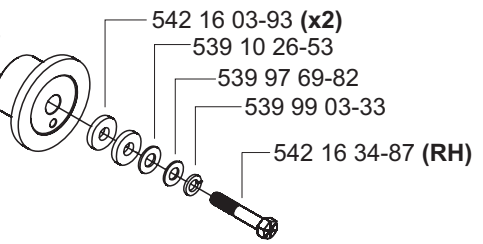


09.02.08



Inner Flange	Dia
542 20 62-02 (x2)	4.5"
541 20 68-88 (x2)	5.0"
542 19 88-64 (x2)	6.0"
542 19 93-17 (x2)	7.0"

Outer Flange w/ Dowel Pin	Dia	Dowel Pin	Dia x Lg
542 16 31-72	4.5"	505 53 19-01	.375 x 1.50"
542 16 63-07	5.0"	505 53 19-01	.375 x 1.50"
542 16 32-72	6.0"	542 16 34-85	.375 x 1.75"
542 19 93-78	7.0"	542 16 34-85	.375 x 1.75"



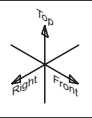
Bladeshaft Pulley No	Pulley Dia	Flange Dia
542 19 88-66 (x2)	4.12"	4.5-5.0"
542 19 88-58 (x2)	4.75"	6.0"
542 19 88-65 (x2)	5.60"	7.0"

541 20 71-00 Kit, Sheave Puller (Optional)

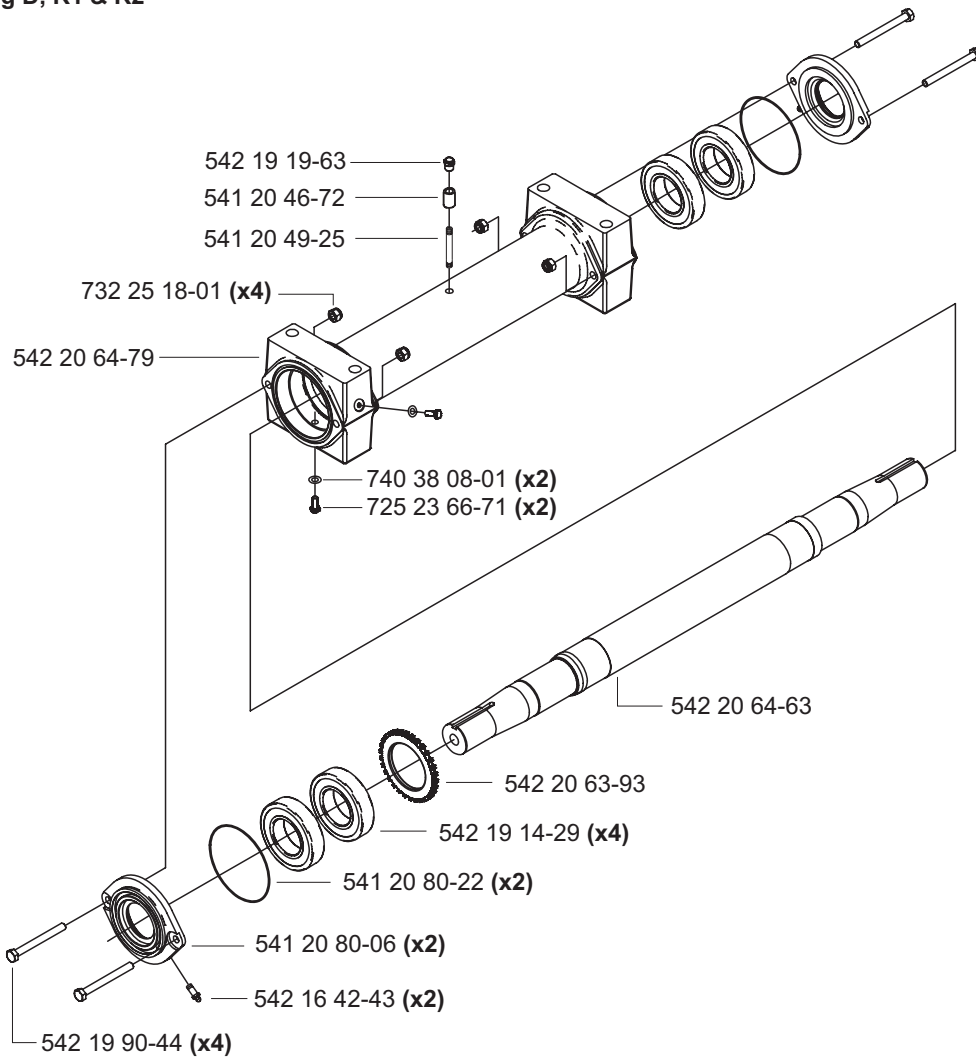
S Blade Shaft - Compl

542 20 65-35 - Compl

See Diag D, R1 & R2



07.12.07



Blade Shaft Assemblies - Compl with: Pulleys, Flanges & Mounting Fasteners

07.10.07

FS6600D 1-Speed

Assy No	Blade	Pulley (x2)	Dia	Inner Flange	Outer Flange	Dia
542 19 94-66	14/18"	542 19 88-66	4.12"	541 20 68-88	542 16 63-07	5.0"
542 19 94-67	26/30"	542 19 88-58	4.75"	541 20 68-88	542 16 63-07	5.0"
542 19 94-69	36"	542 19 88-65	5.60"	542 19 88-64	542 16 32-72	6.0"
542 19 94-70	42"	542 19 91-60	6.40"	542 19 93-17	542 19 93-78	7.0"

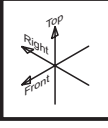
Blade Shaft Assemblies - Compl with: Pulleys, Flanges & Mounting Fasteners

07.10.07

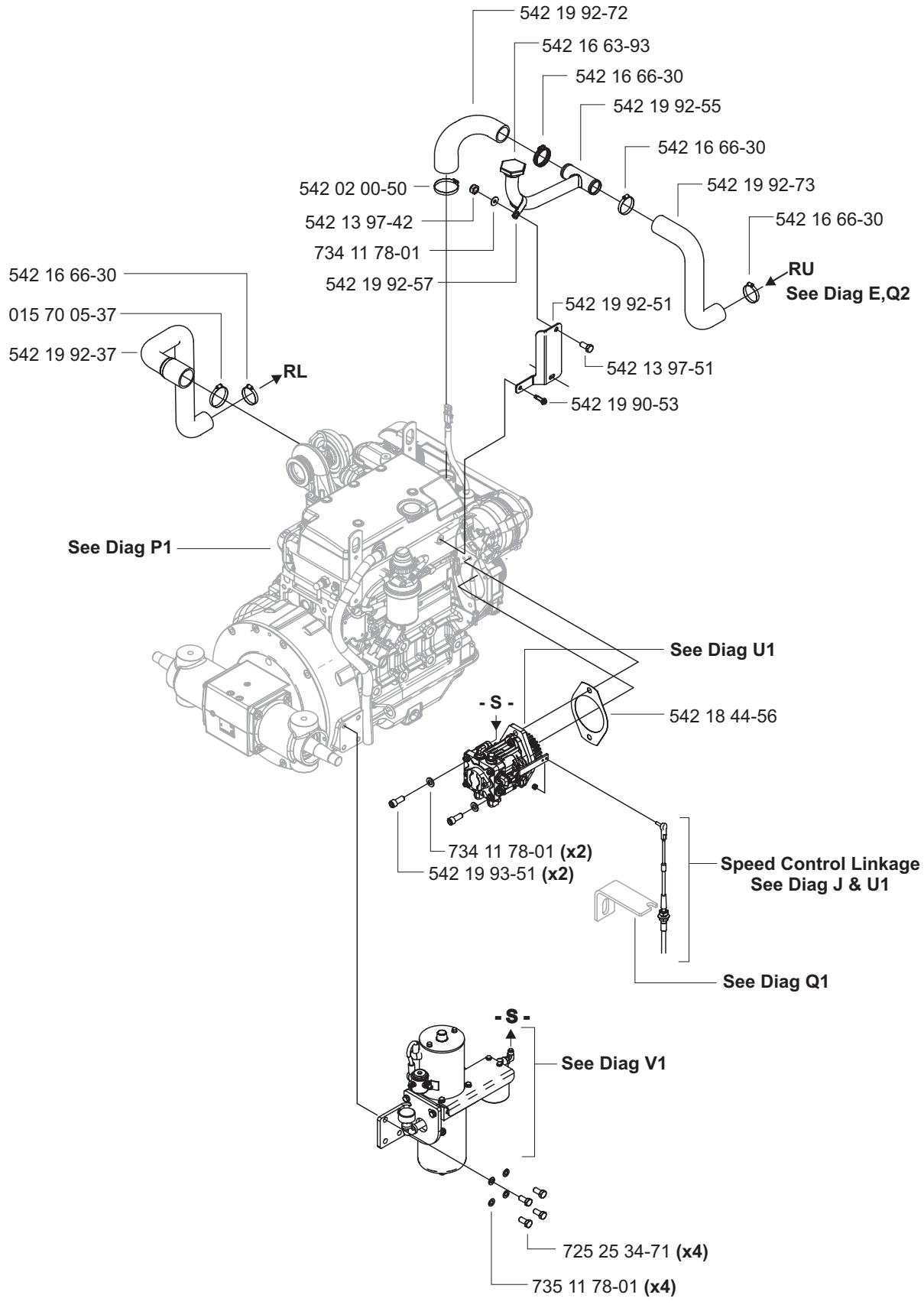
FS6600D 3-Speed

Assy No	Blade	Pulley (x2)	Dia	Inner Flange	Outer Flange	Dia
504 82 70-02	14/26"	542 19 88-66	4.12"	542 20 62-02	542 16 31-72	4.5"
504 82 70-01	18/30"	542 19 88-66	4.12"	541 20 68-88	542 16 63-07	5.0"
504 82 70-03	20/36"	542 19 88-58	4.75"	542 19 88-64	542 16 32-72	6.0"
504 82 70-04	26/42"	542 19 88-65	5.60"	542 19 93-17	542 19 93-78	7.0"

T Engine Cooling & Pumps



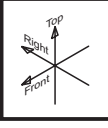
07.05.07



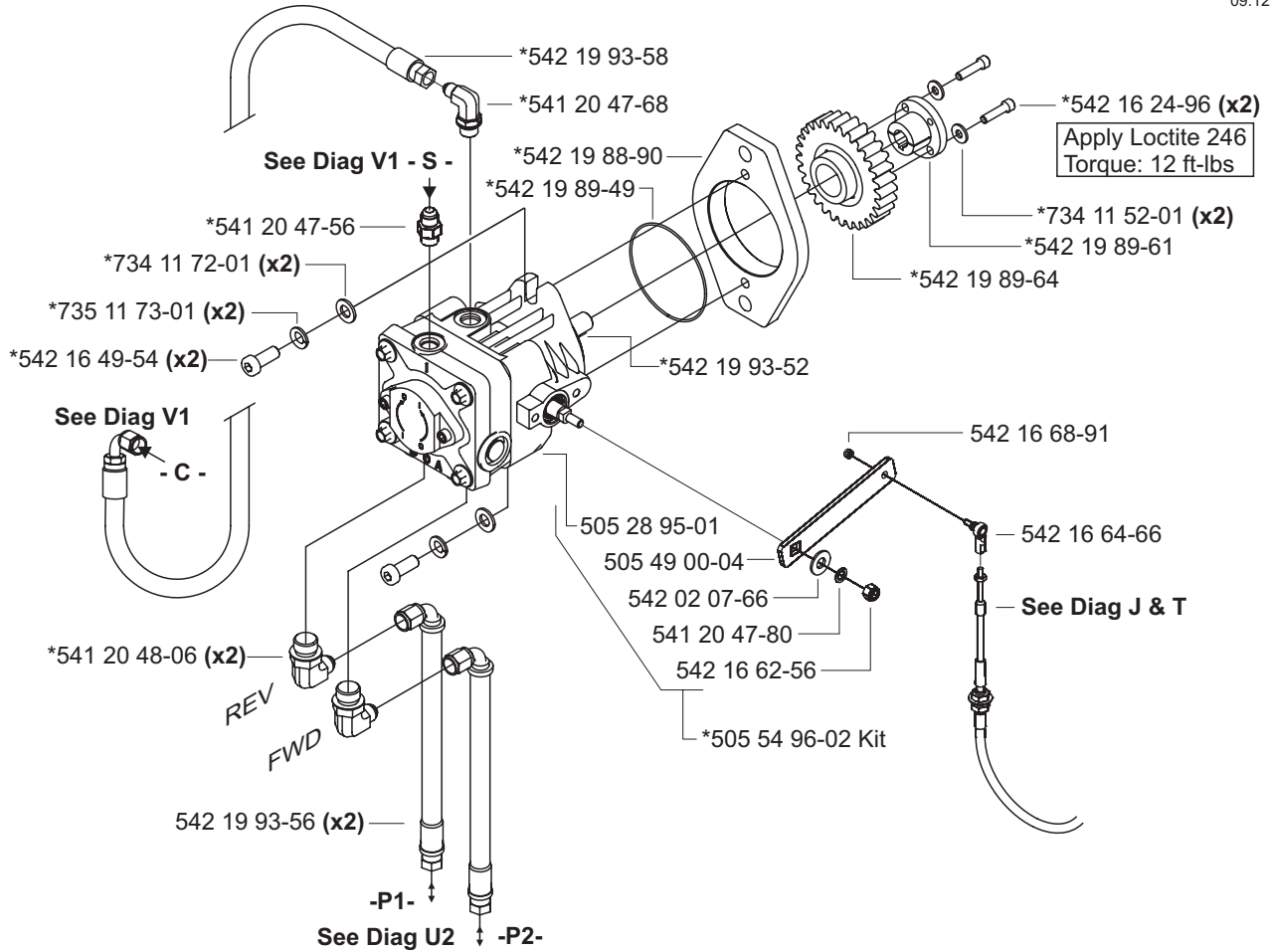
U1 Hydraulic Drive Pump

See Diag T

*542 19 93-50 - Compl



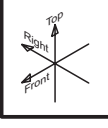
09.12.08



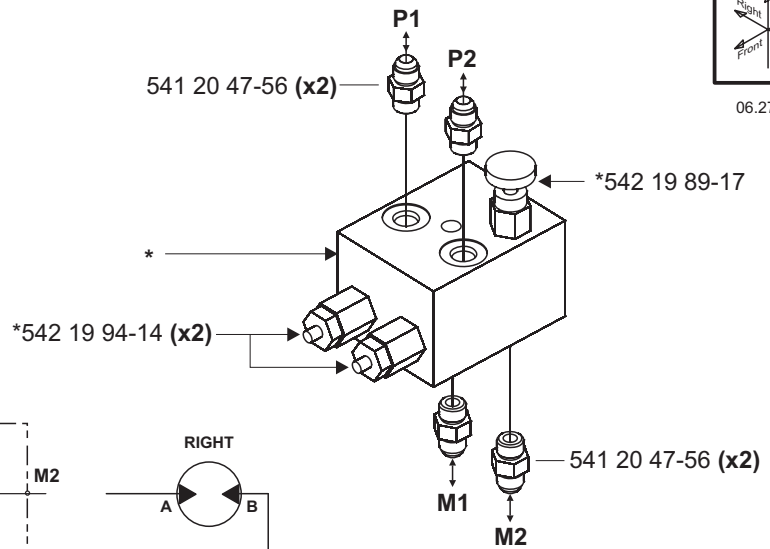
U2 Bypass Valve Manifold

See Diag B

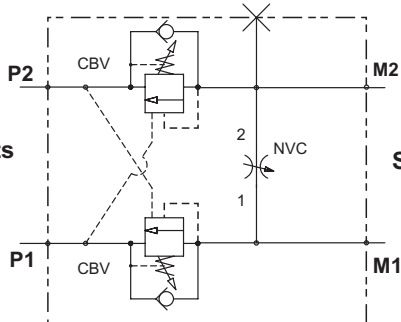
*542 19 89-15 Valve - Compl



06.27.07

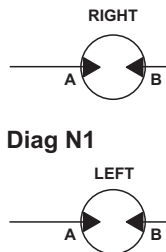


To Pump Outlets
See Diag U1

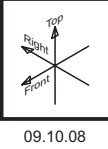


HYDRAULIC SCHEMATIC
(See Operators Manual)

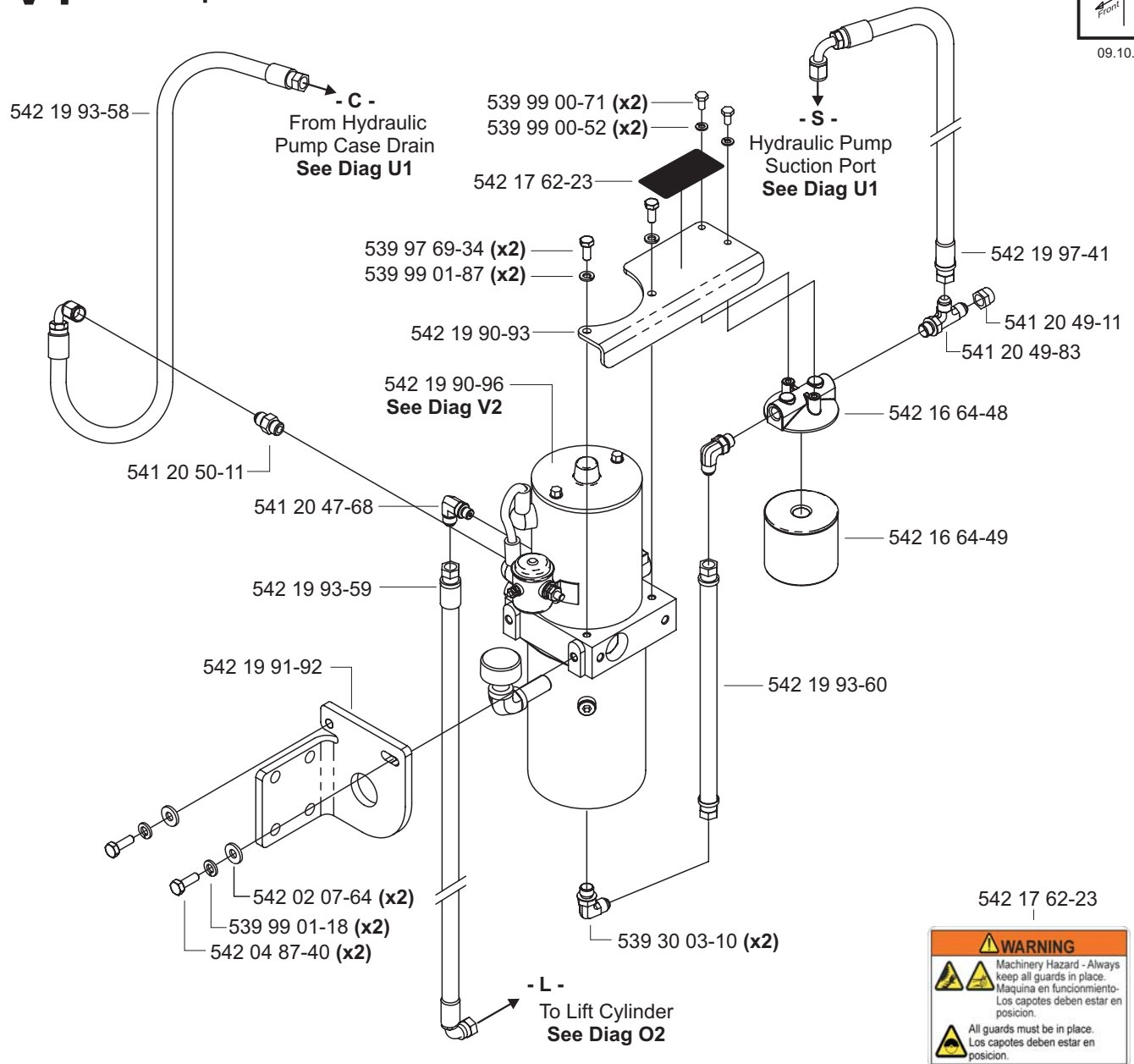
See Diag N1



V1 Lift Pump & Filter



09.10.08



WARNING

Machinery Hazard - Always keep all guards in place.
Maquina en funcionamiento - Los capotes deben estar en posicion.

All guards must be in place.
Los capotes deben estar en posicion.

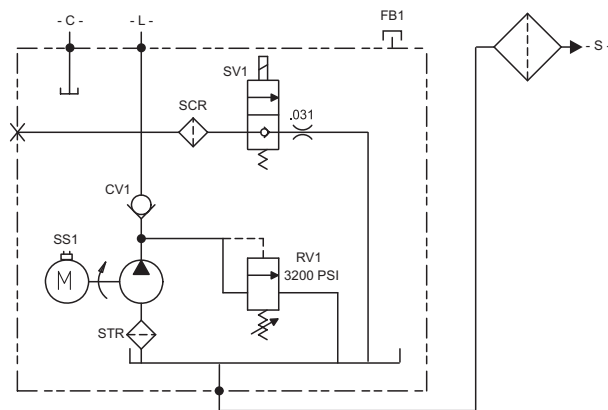
V2 Lift Pump (Not Shown)

09.12.08

542 19 90-96 - Compl

Lift Pump Service Parts

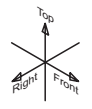
- SS1 - 542 16 61-21 Starter Switch - 12VDC
- RV1 - 542 16 33-21 Valve, Adj. Relief
- CV1 - 542 16 33-19 Valve, Check Cart.
- STR - 542 16 33-26 Strainer, Pump
- FB1 - 542 16 33-24 Cap, Filler-Breather
- SV1 - 542 18 30-06 Valve Cartridge
- " - 542 16 65-94 Coil - 12 VDC
- " - 542 02 01-77 Nut, Thin Jam



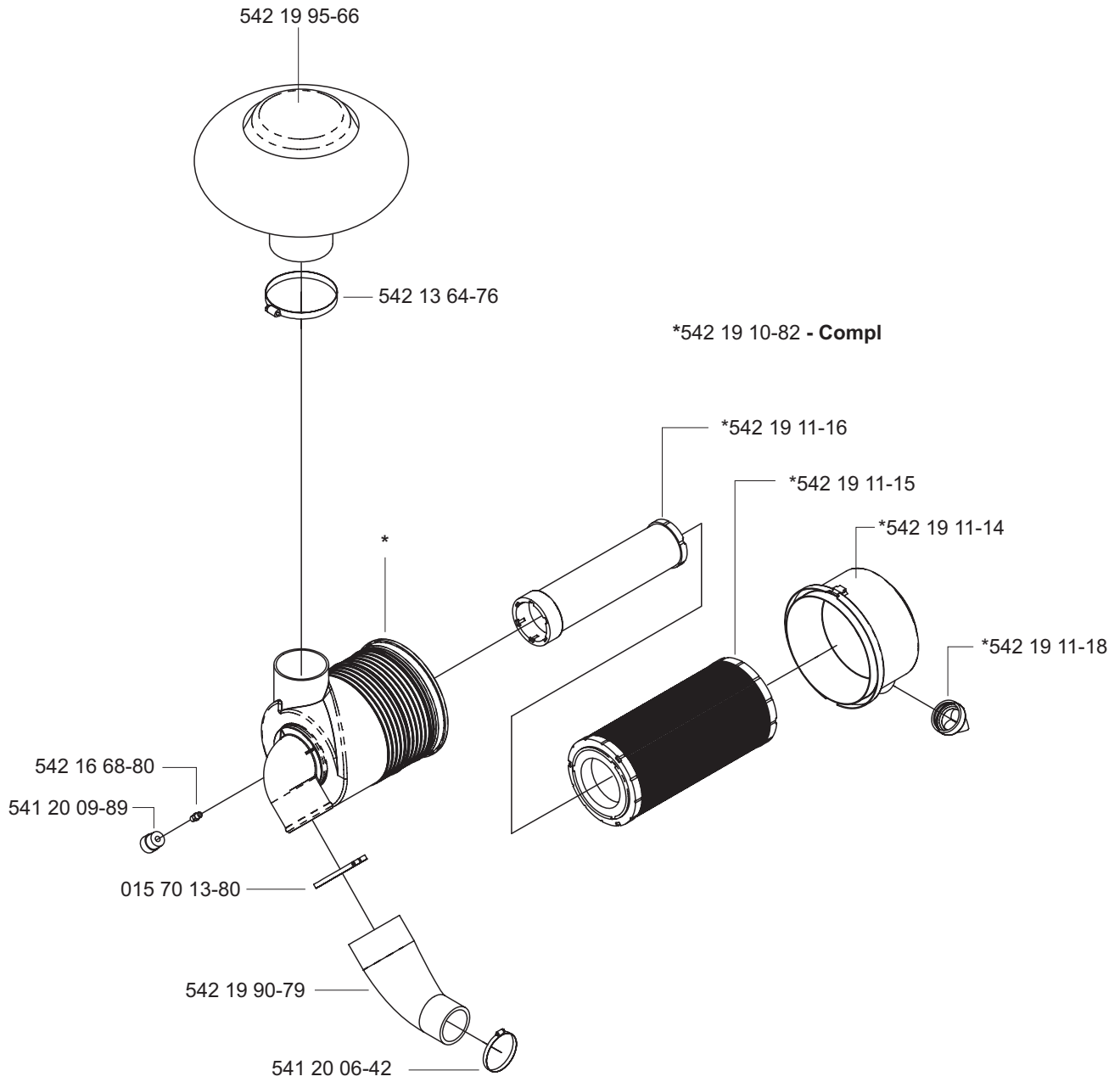
HYDRAULIC SCHEMATIC

W Air Filter

See Diag E, F1 & Q1

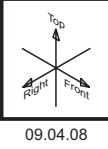


07.09.07

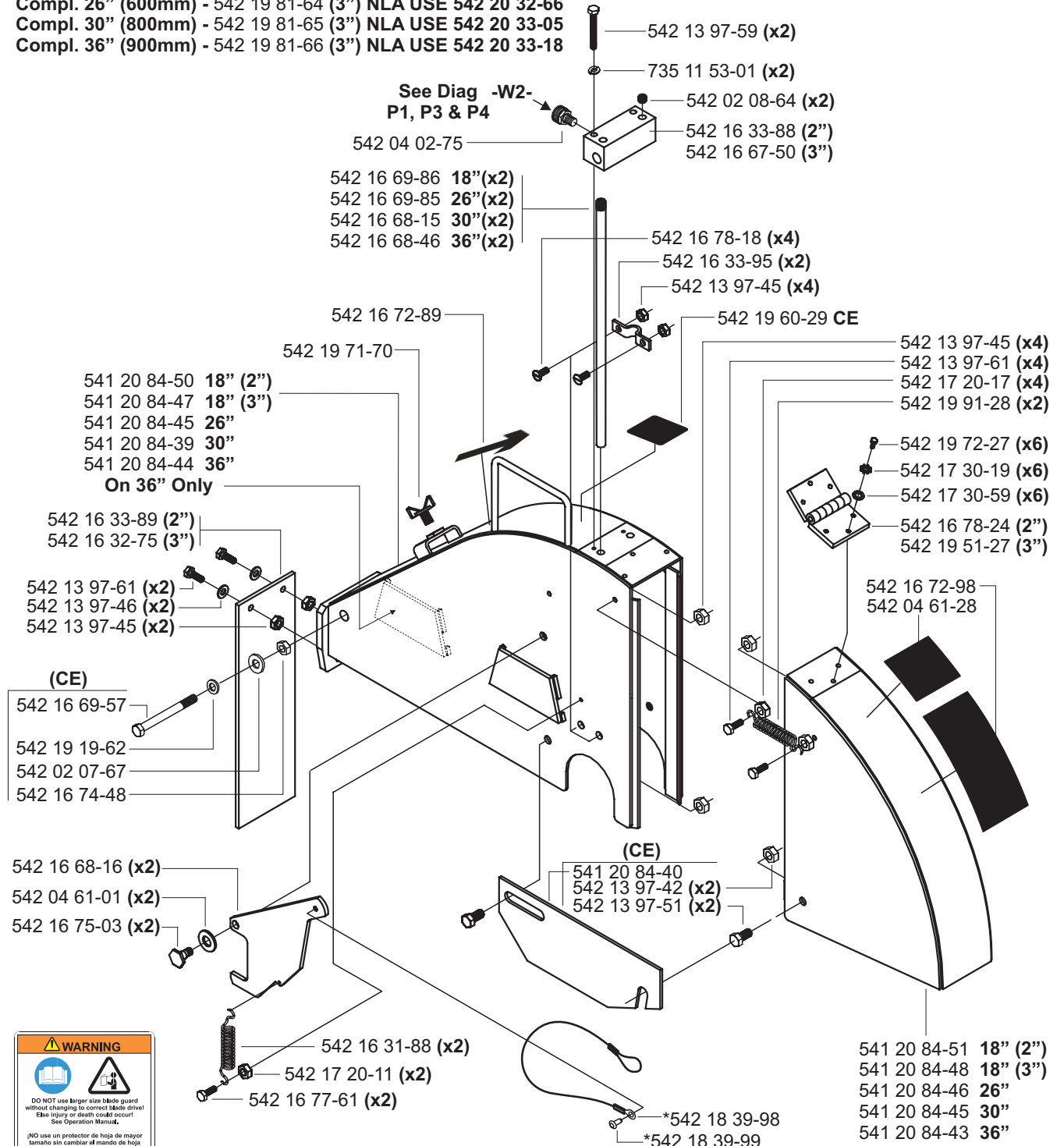


X1 Blade Guard Assy - Slip-On

- Compl. 18" (450mm) - 542 19 81-63 (2") NLA USE 504 85 77-01
- Compl. 18" (450mm) - 542 19 87-78 (3")
- Compl. 26" (600mm) - 542 19 81-64 (3") NLA USE 542 20 32-66
- Compl. 30" (800mm) - 542 19 81-65 (3") NLA USE 542 20 33-05
- Compl. 36" (900mm) - 542 19 81-66 (3") NLA USE 542 20 33-18



09.04.08



WARNING

DO NOT use larger size blade guard without changing to correct blade drive! Eye injury or death could occur! See Operator Manual.

(NO use un protector de hoja de mayor tamaño sin cambiar el mando de hoja correcto.)

(De lo contrario se pueden producir lesiones graves o mortales. Vea el manual de operación.)

NE PAS utiliser une protection de disque de plus grande taille sans changer en même temps le courroie d'entraînement ! Risque de blessures graves, voire mortelles ! Voir le manuel.

Bei Verwendung einer größeren Sägeblattabdeckung MUSS der entsprechende Antrieb installiert werden! Andernfalls besteht Verletzungs- oder Lebensgefahr! Siehe Betriebsanleitung.

Gebruik GEEN grotere bladafdekking zonder de aandrijving aan te passen! Indien dit niet gebeurt, zou dit tot een letsel of de dood kunnen leiden! Zie bedieningshandleiding.

NON usare un riparo del disco di dimensioni più grandi senza cambiare anche la trasmissione del disco nella misura corretta!

In caso contrario, si possono verificare infortuni o morti. Vedere il Manuale d'uso.

ANVÄND INTE ett bladskydd som är större utan att byta till rätt bladdrift!

Det kan orsaka personskada eller död! Se bruksanvisningen.

WARNING

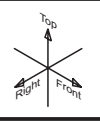
DO NOT CHANGE TO A LARGER BLADE GUARD SIZE WITHOUT CHANGING TO PROPER BELT DRIVE, ENGINE SPEED AND BLADE FLANGES. FAILURE TO COMPLY COULD RESULT IN DEATH OR SERIOUS BODILY INJURY. SEE OPERATOR'S MANUAL FOR INSTRUCTIONS. IF YOU DO NOT HAVE AN OPERATOR'S MANUAL, CALL TOLL FREE 1-800-288-5040



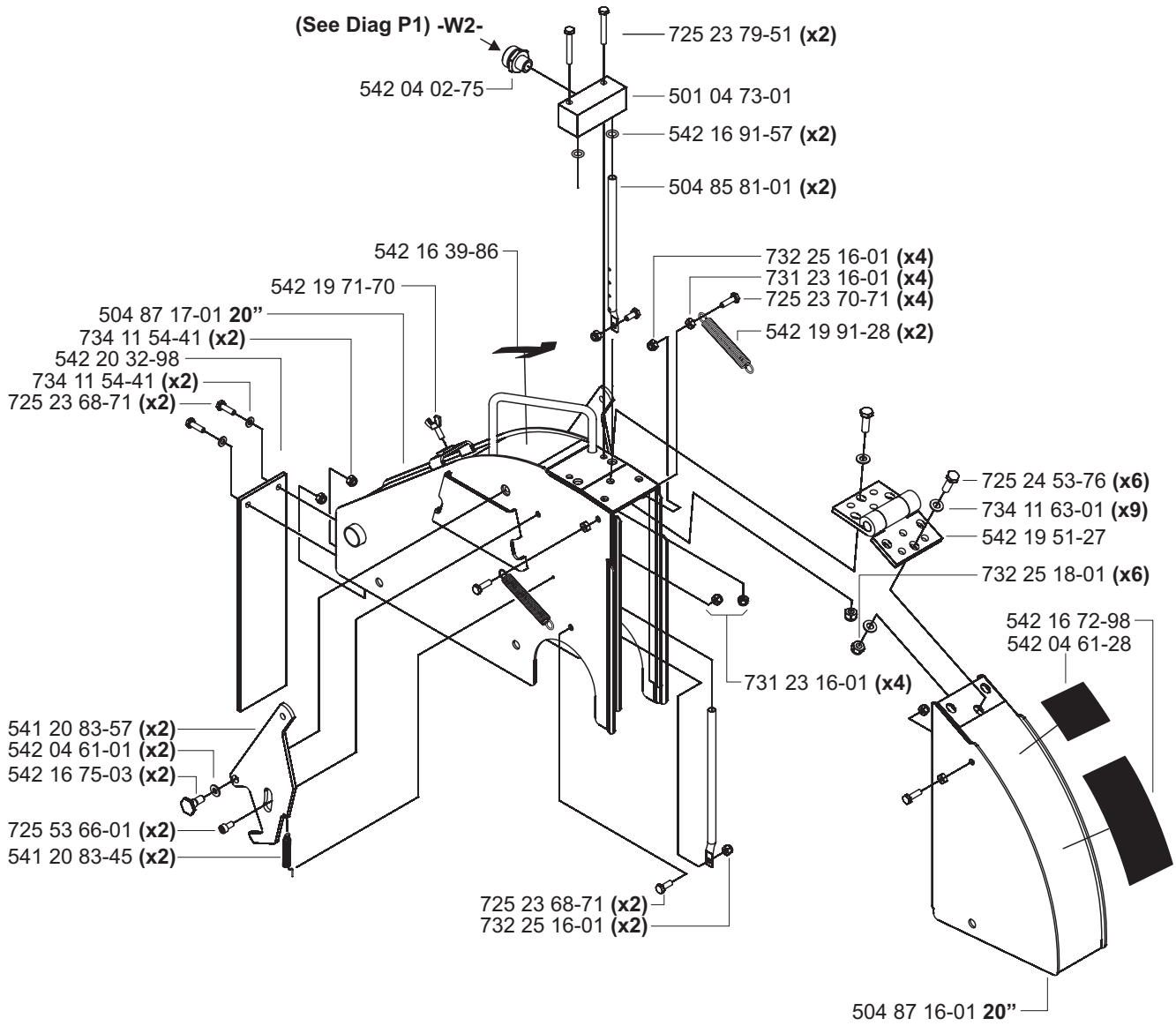
*Latch Kit - 542 19 11-42 (x2)
(Standard on: 26", 30" & 36")

X2 Blade Guard Assy - Slip-On

Compl. 20" (500mm) - 504 85 77-01



09.04.08



WARNING

DO NOT use larger size blade guard without changing to correct blade drive! Else injury or death could occur! See Operation Manual.

(NO use un protector de hoja de mayor tamaño sin cambiar el mando de hoja correcto!)

(De lo contrario se pueden producir lesiones graves o mortales! Ver el manual de operación.

NE PAS utiliser une protection de disque de plus grande taille sans changer en même temps le courroie d'entraînement! Risque de blessures graves, voire mortelles! Voir le manuel.

Bei Verwendung einer größeren Sägeblattabdeckung MUSS der entsprechende Antrieb installiert werden! Andernfalls besteht Verletzungs- oder Lebensgefahr! Siehe Betriebsanleitung.

Gebruik GEEN grotere bladafdekking zonder de blad aandrijving aan te passen! Indien dit niet gebeurt, zou dit tot een letsel of de dood kunnen leiden! Zie bedieningshandleiding.

NON usare un riparo del disco di dimensioni più grandi senza cambiare anche la trasmissione del disco nella misura corretta!

In caso contrario, si possono verificare infortuni o morti. Vedere il Manuale d'uso.

ANVÄND INTE ett bladskydd som är större utan att byta till rätt blad driv. Det kan orsaka personskada eller död! Se bruksanvisningen.

542 16 72-98

542 04 61-28

542 16 39-86

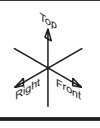
WARNING

DO NOT CHANGE TO A LARGER BLADE GUARD SIZE WITHOUT CHANGING TO PROPER BELT DRIVE, ENGINE SPEED AND BLADE FLANGES. FAILURE TO COMPLY COULD RESULT IN DEATH OR SERIOUS BODILY INJURY. SEE OPERATOR'S MANUAL FOR INSTRUCTIONS. IF YOU DO NOT HAVE AN OPERATOR'S MANUAL, CALL TOLL FREE 1-800-288-5040

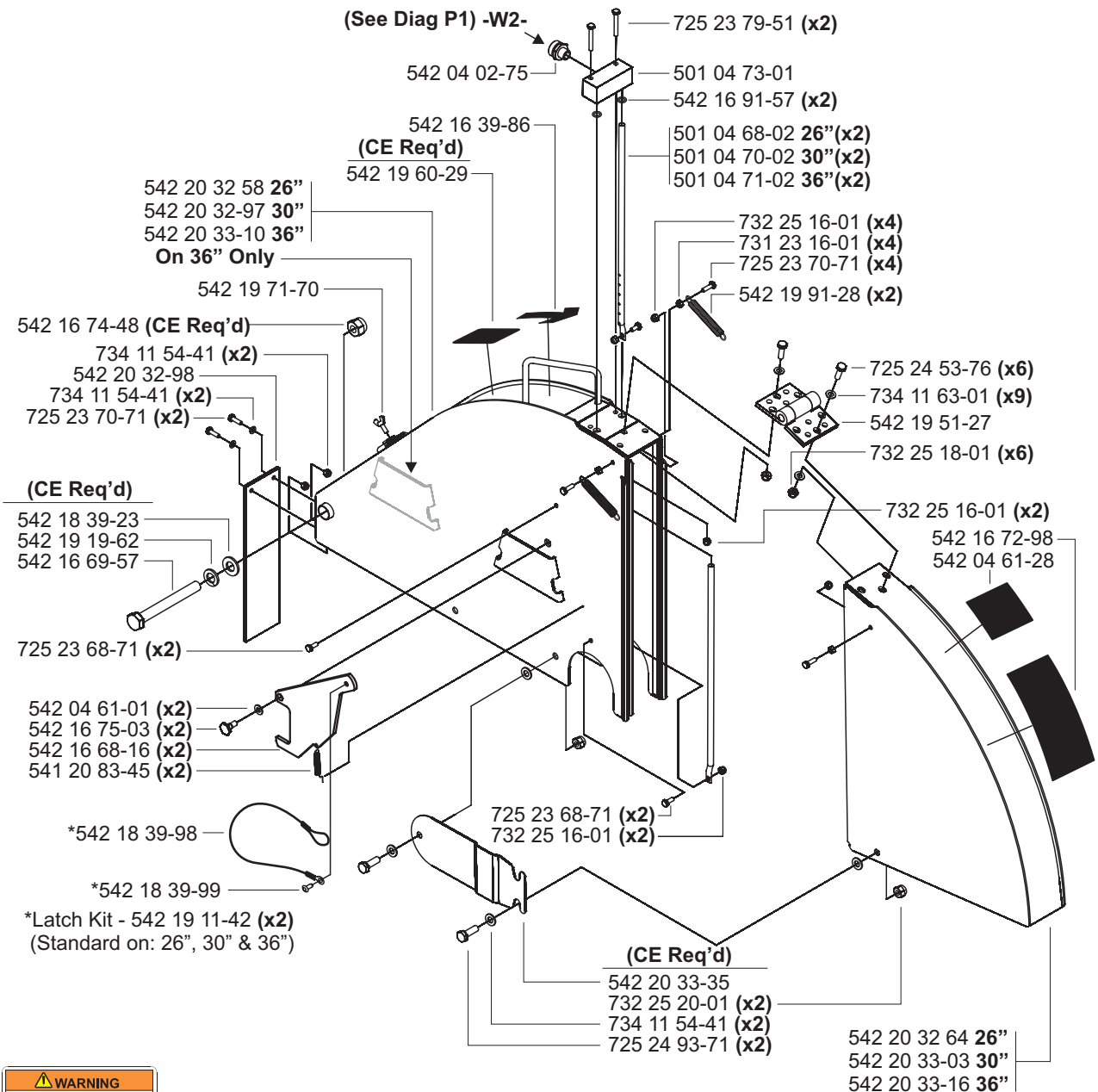


X3 Blade Guard Assy - Slip-On

- Compl. 26" (600mm) - 542 20 32-66
- Compl. 30" (800mm) - 542 20 33-05
- Compl. 36" (900mm) - 542 20 33-18



09.04.08



WARNING

DO NOT use larger size blade guard without changing to correct blade drive! Eye injury or death could occur! See Operation Manual.

(NO use un protector de hoja de mayor tamaño sin cambiar el mando de hoja correcto!)

(De lo contrario se pueden producir lesiones graves o mortales! Ver el manual de operación.

NE PAS utiliser une protection de disque de plus grande taille sans changer en même temps le courroie d'entraînement! Risque de blessures graves, voire mortelles! Voir le manuel.

Bei Verwendung einer größeren Sägeblattabdeckung MUSS der entsprechende Antrieb installiert werden! Andernfalls besteht Verletzungs- oder Lebensgefahr! Siehe Betriebsanleitung.

Gebruik GEEN grotere bladafdekking zonder de blad aandrijving aan te passen! Andernzins kan ernstige letsel of een letsel of de dood kunnen leiden! Zie bedieningshandleiding.

NON usare un riparo del disco di dimensioni più grandi senza cambiare anche la trasmissione del disco nella misura corretta! In caso contrario, si possono verificare infortuni o morti. Vedere il Manuale d'uso.

ANVÄND INTE ett bladskydd som är större utan att byta till rätt blad drivning. Det kan orsaka personskada eller död! Se bruksanvisningen.

542 16 72-98

542 04 61-28

542 16 39-86

542 19 60-29
(CE Req'd)

WARNING

DO NOT CHANGE TO A LARGER BLADE GUARD SIZE WITHOUT CHANGING TO PROPER BELT DRIVE, ENGINE SPEED AND BLADE FLANGES. FAILURE TO COMPLY COULD RESULT IN DEATH OR SERIOUS BODILY INJURY. SEE OPERATOR'S MANUAL FOR INSTRUCTIONS. IF YOU DO NOT HAVE AN OPERATOR'S MANUAL, CALL TOLL FREE 1-800-288-5040

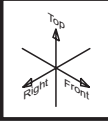


LwA

119 dB

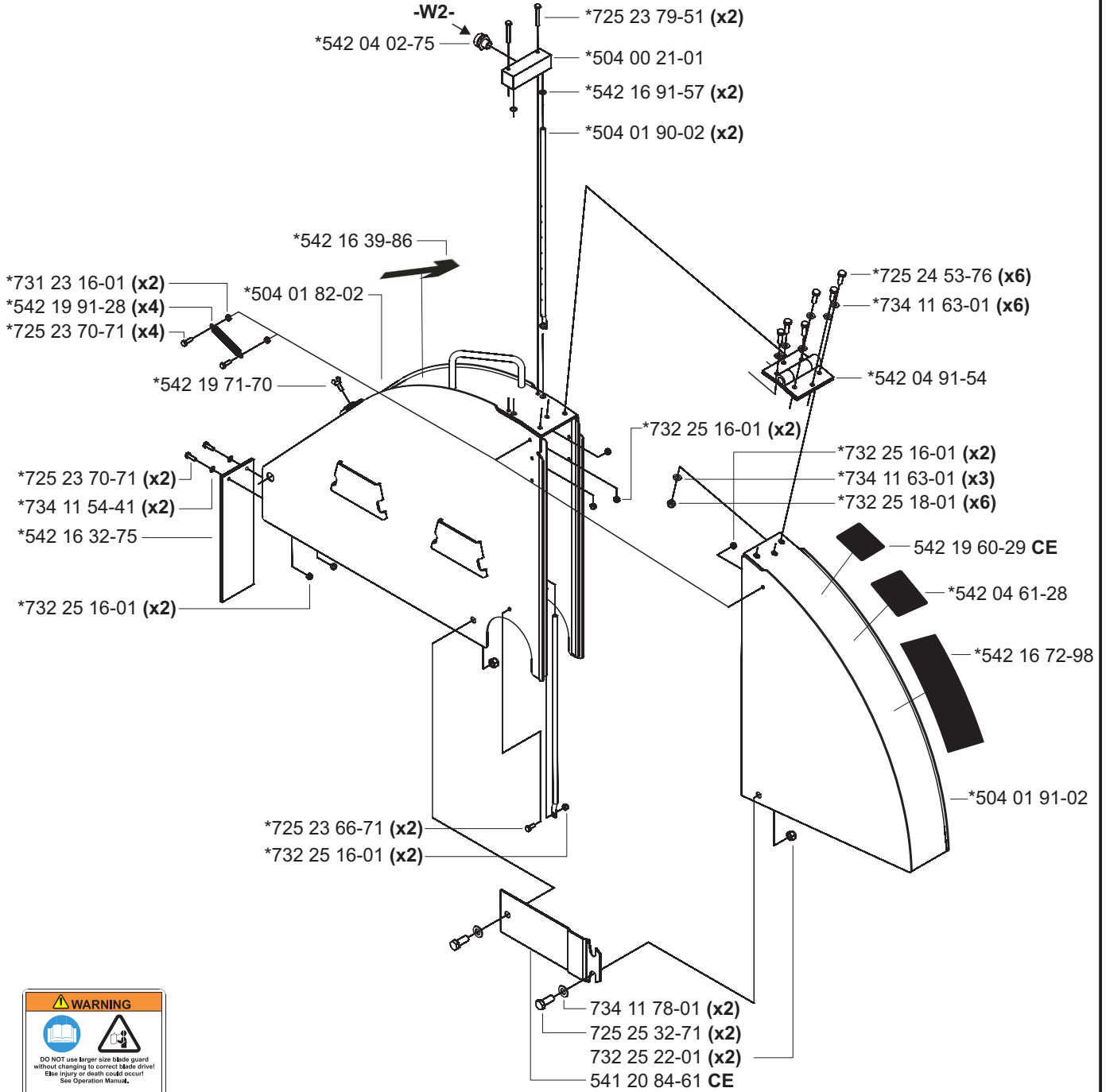
X4 Blade Guard Assy - 42" Slip-On

*504 01 94-01 42" (1000mm) Compl



09.04.08

See Diags
P1, P3 & P4



WARNING

DO NOT use larger size blade guard without changing to correct blade drive! Eye injury or death could occur! See Operation Manual.

(NO use un protector de hoja de mayor tamaño sin cambiar el mando de hoja correcto!)

(De lo contrario se pueden producir lesiones graves o mortales! Vea el manual de operación.)

NE PAS utiliser une protection de disque de plus grande taille sans changer en même temps le courroie d'entraînement! Risque de blessures graves, voire mortelles! Voir le manuel.

Bei Verwendung einer größeren Sägeblattabdeckung MUSS der entsprechende Antrieb installiert werden! Andernfalls besteht Verletzungs- oder Lebensgefahr! Siehe Betriebsanleitung.

Gebruik GEEN grotere bladafdekking zonder de blad aandrijving aan te passen! Andernzins kan ernstige verwondingen of de dood kunnen leiden! Zie bedieningshandleiding.

NON usare un riparo del disco di dimensioni più grandi senza cambiare anche la trasmissione del disco nella misura corretta! In caso contrario, si possono verificare infortuni o morti. Vedere il Manuale d'uso.

ANVÄND INTE ett bladskydd som är större utan att byta till rätt bladrev! Det kan orsaka personskada eller död! Se bruksanvisningen.

*542 16 72-98

*542 04 61-28

*542 16 39-86

542 19 60-29 CE

WARNING

DO NOT CHANGE TO A LARGER BLADE GUARD SIZE WITHOUT CHANGING TO PROPER BELT DRIVE, ENGINE SPEED AND BLADE FLANGES. FAILURE TO COMPLY COULD RESULT IN DEATH OR SERIOUS BODILY INJURY. SEE OPERATOR'S MANUAL FOR INSTRUCTIONS. IF YOU DO NOT HAVE AN OPERATOR'S MANUAL, CALL TOLL FREE 1-800-288-5040



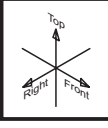
L_{WA}

119 dB

X5 Blade Guard Attachment - 42"(1000mm)

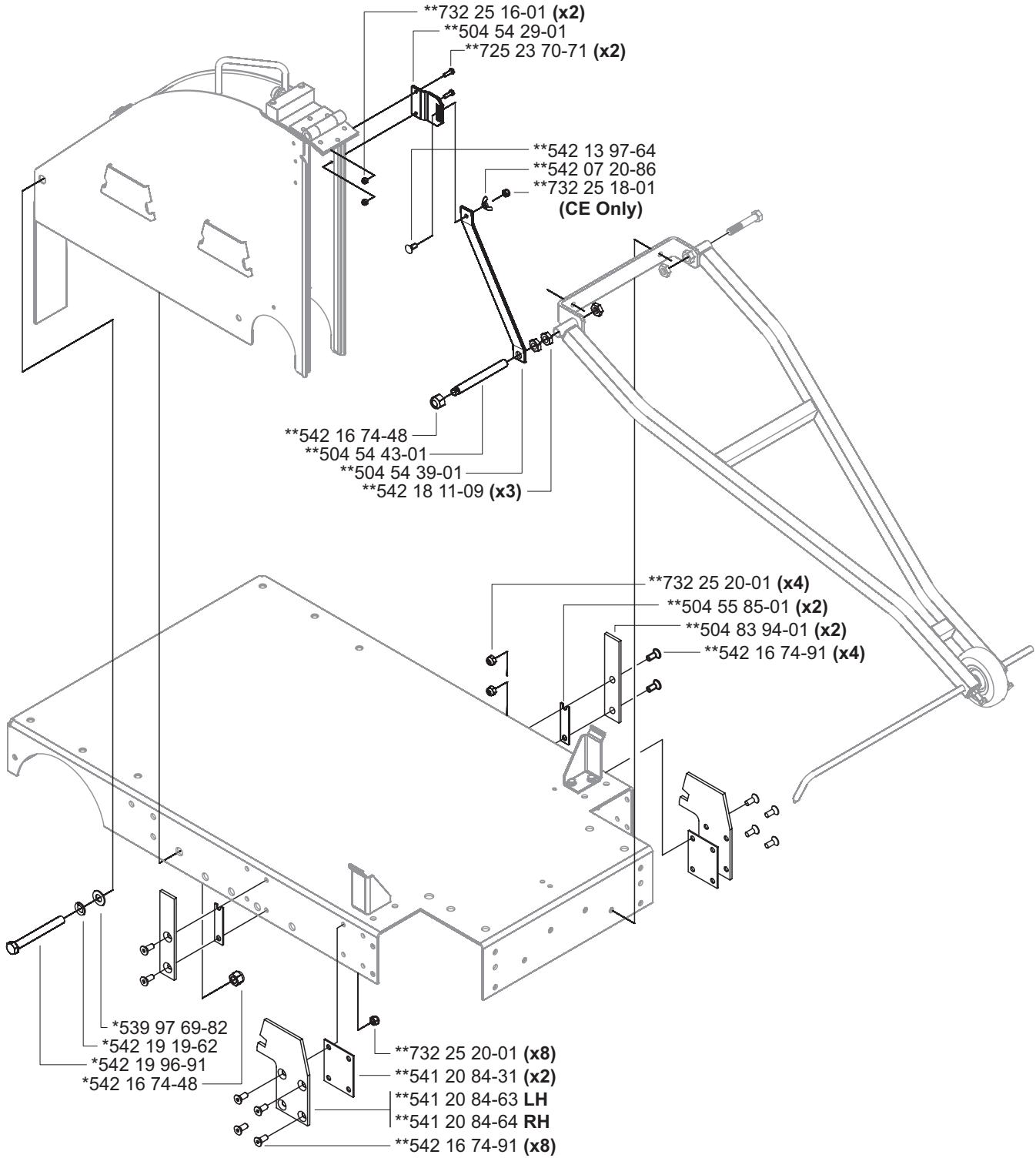
*504 55 83-01 Kit, 42" Blade Guard - Compl

Includes: 504 01 94-01, **504 55 84-01 &
Flange Cover w/ Hardware - See Diag X4



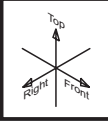
09.05.08

**504 55 84-01 Kit, Attachment

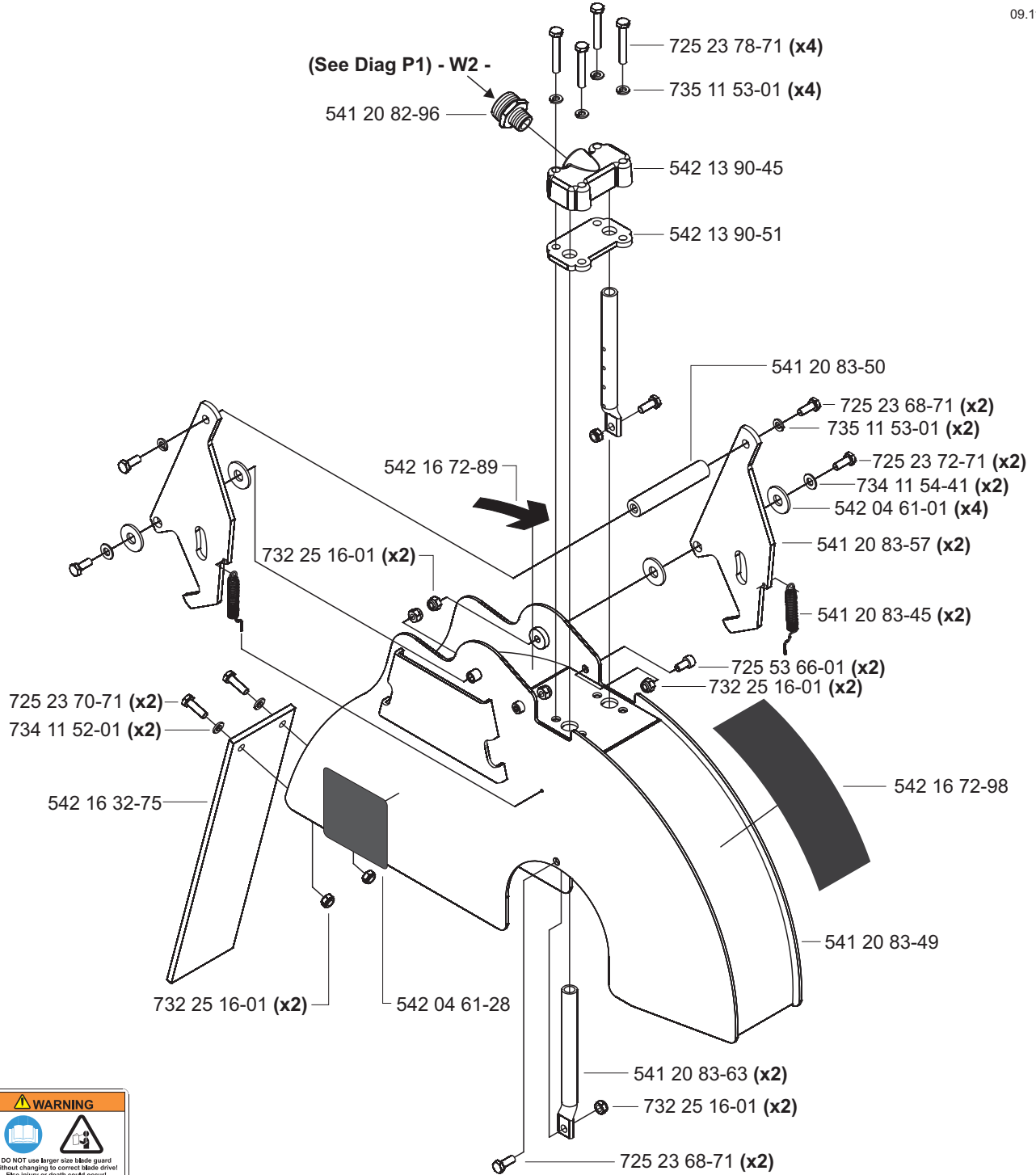


X6 Blade Guard, 14" - Slip-On

Compl. 14" - 541 20 83-66



09.11.08



WARNING

DO NOT use larger size blade guard without changing to correct blade drive! Else injury or death could occur! See Operation Manual.

(NO use un protector de hoja de mayor tamaño sin cambiar el mando de hoja correcto!)

(De lo contrario se pueden producir lesiones graves o mortales! Ver el manual de operación.)

NE PAS utiliser une protection de disque de plus grande taille sans changer en même temps le courroie d'entraînement ! Risque de blessures graves, voire mortelles ! Voir le manuel.

Bei Verwendung einer größeren Sägeblattabdeckung MUSS der entsprechende Antrieb installiert werden! Andernfalls besteht Verletzungs- oder Lebensgefahr! Siehe Betriebsanleitung.

Gebruik GEEN grotere bladafdekking zonder de blad aandrijving aan te passen! Andernzins kan ernstige letsel of de dood kunnen leiden! Zie bedieningshandleiding.

NON usare un riparo del disco di dimensioni più grandi senza cambiare anche la trasmissione del disco nella misura corretta! In caso contrario, si possono verificare infortuni o morti. Vedere il Manuale d'uso.

ANVÄND INTE ett bladskydd som är större utan att byta till rätt bladdriv! Det kan orsaka personskada eller död! Se bruksanvisningen.

542 16 72-98

542 04 61-28

542 16 72-89

WARNING

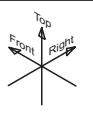
DO NOT CHANGE TO A LARGER BLADE GUARD SIZE WITHOUT CHANGING TO PROPER BELT DRIVE, ENGINE SPEED AND BLADE FLANGES. FAILURE TO COMPLY COULD RESULT IN DEATH OR SERIOUS BODILY INJURY. SEE OPERATOR'S MANUAL FOR INSTRUCTIONS. IF YOU DO NOT HAVE AN OPERATOR'S MANUAL, CALL TOLL FREE 1-800-288-5040



Y Water Pump Kit

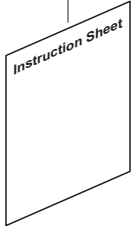
542 19 96-26 - Kit, Compl

*542 19 96-37 Compl



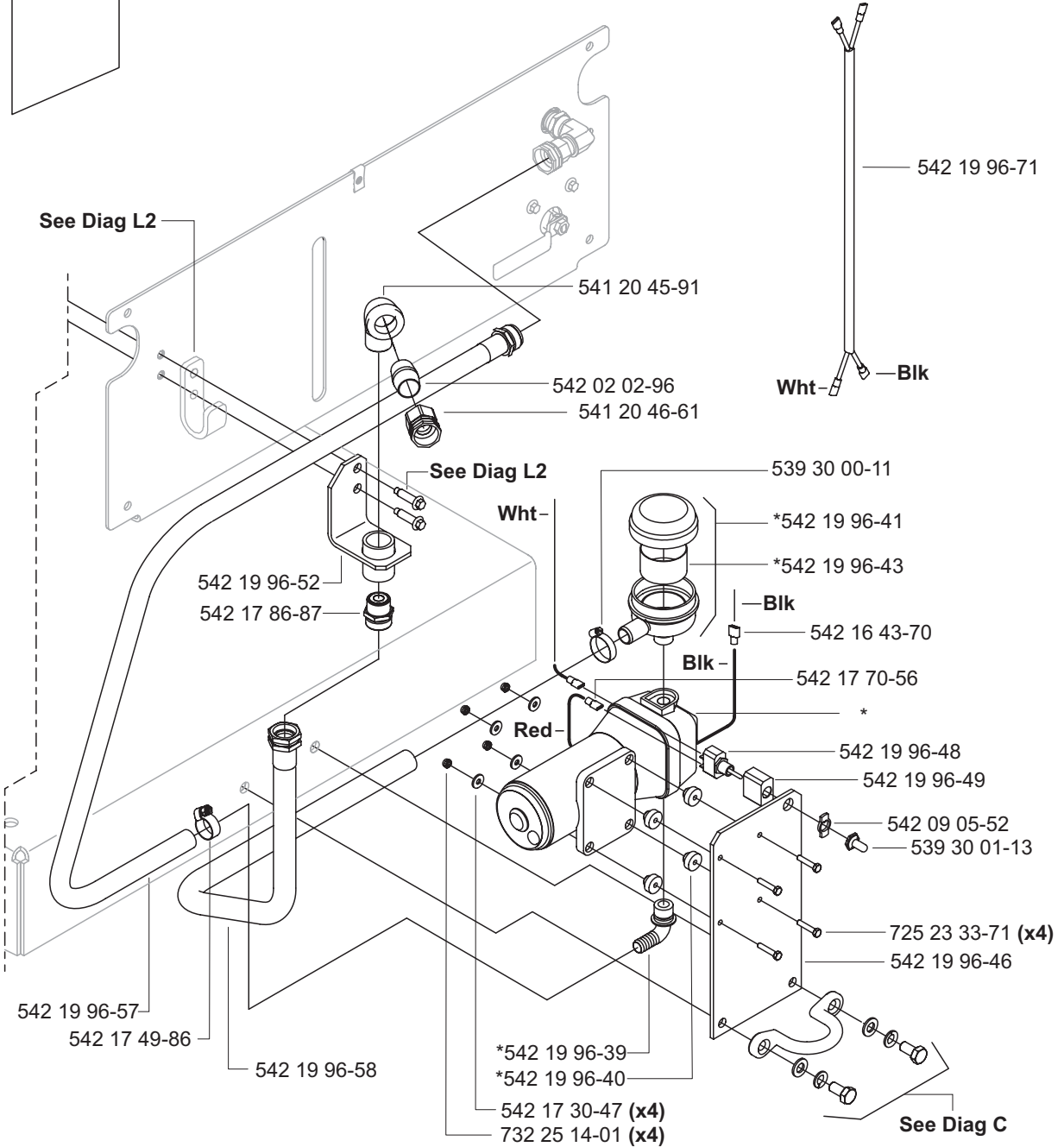
07.06.07

542 20 10-48



See Diag F1 & F2
Main Wiring Diagram
in Operator's Manual
542 16 68-55 

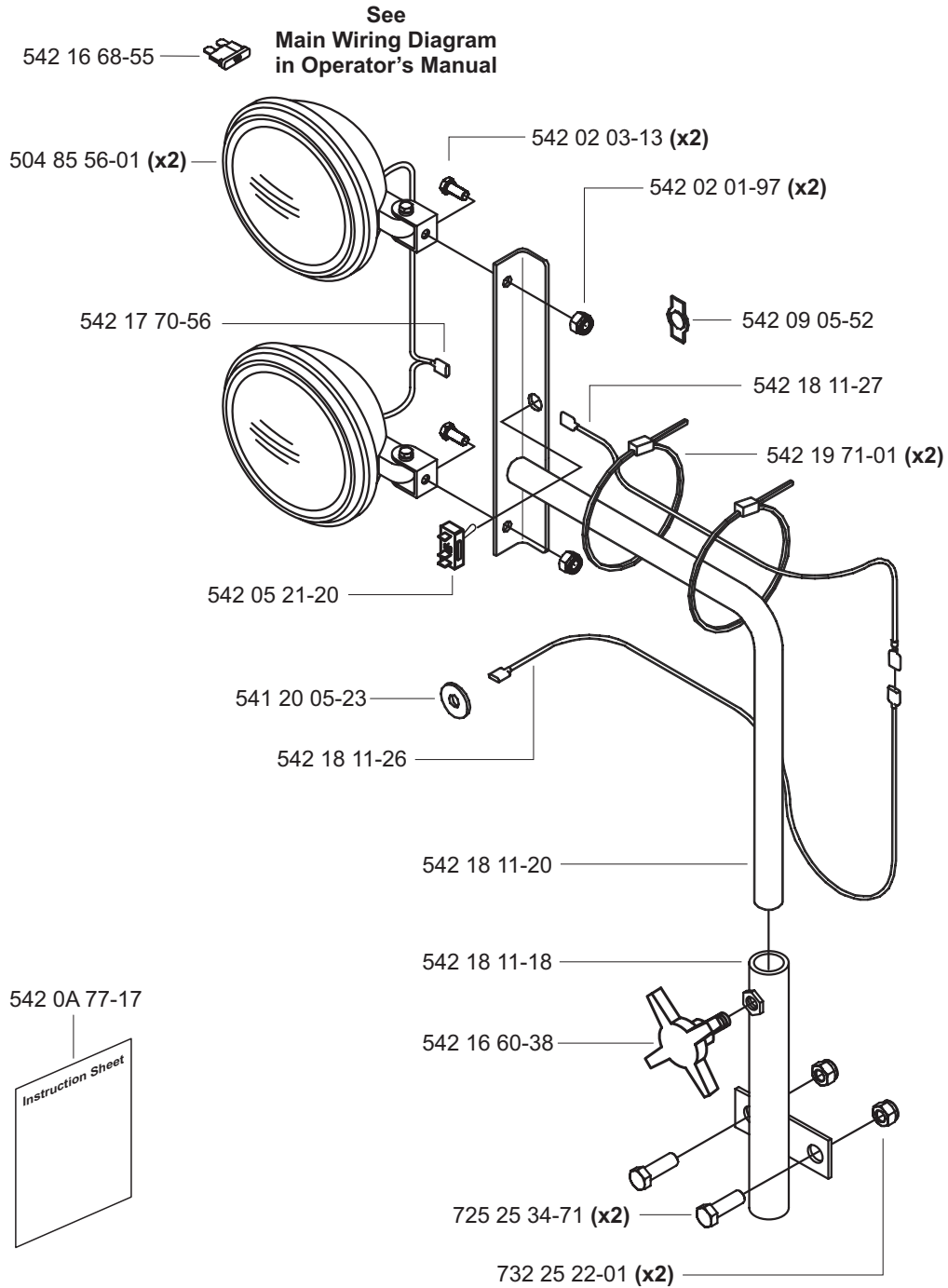
Connects To
Cowl Wiring Harness
See Cowl Wiring Diagram
in Operator's Manual



Z Dual Work Light Kit

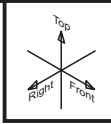
Compl Kit - 542 18 11 -17

09.12.08

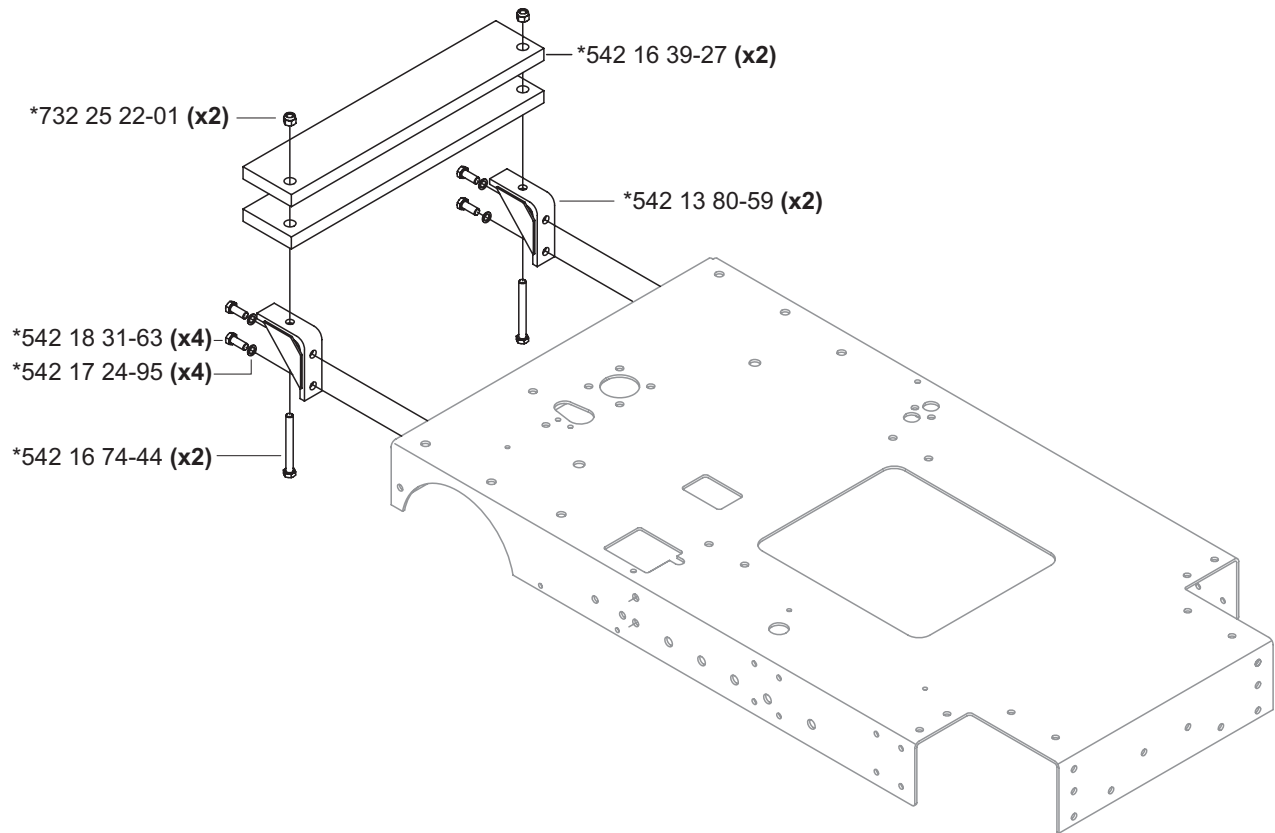


AA Weight Kit- 42"(1000mm)

*542 19 61 72 Compl 42" (1000mm) (2 Bars)

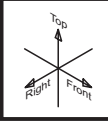


09.02.08

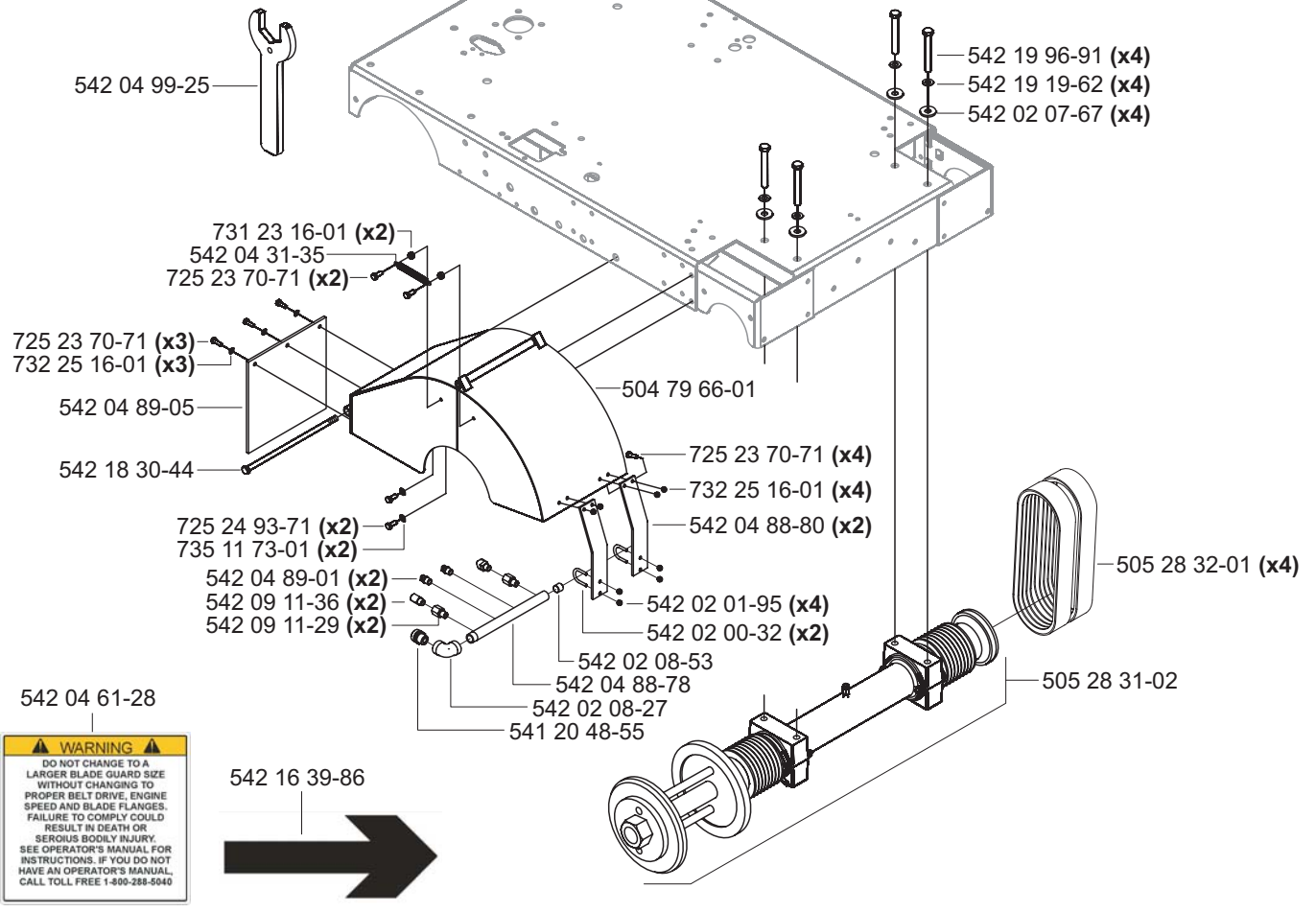


AB Side Cut Plunge Kit - 18/20"

516 02 66-01 Compl



09.09.08

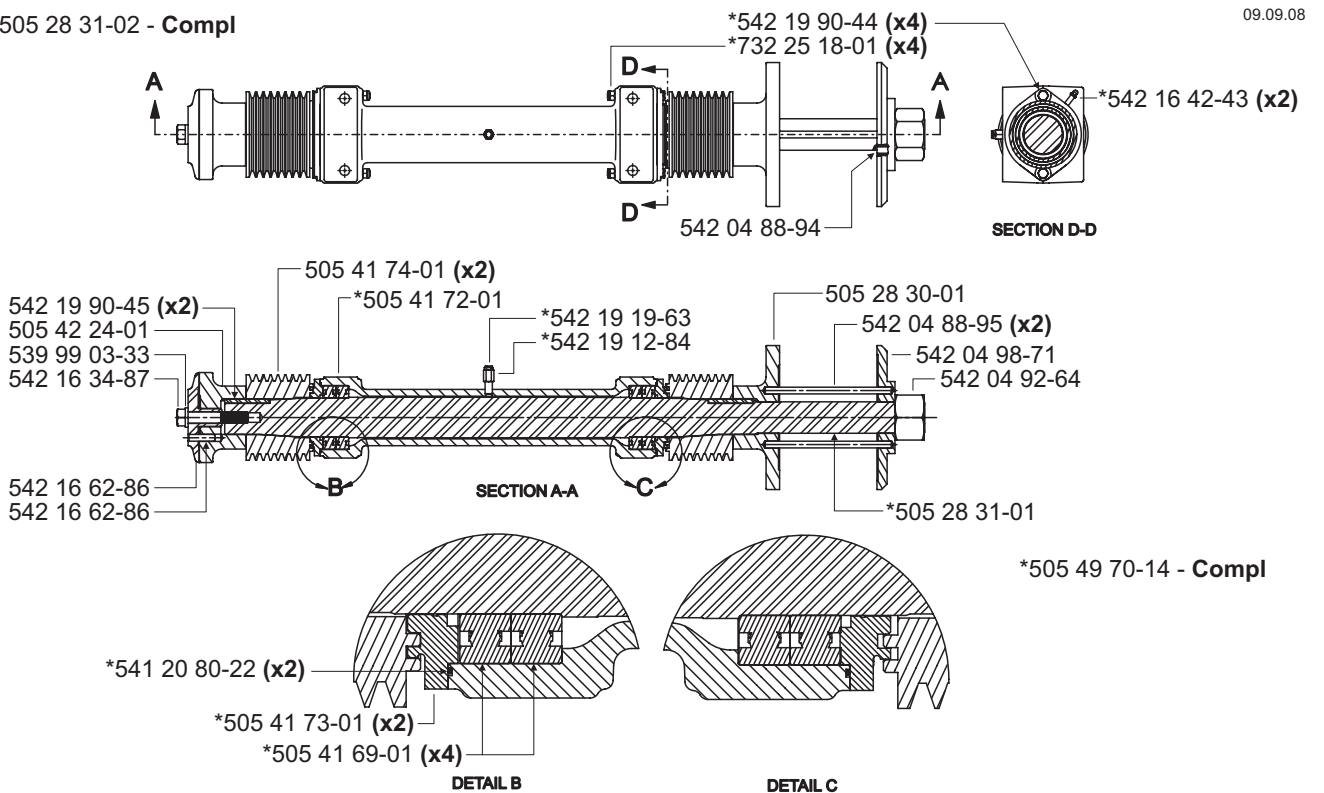


WARNING

DO NOT CHANGE TO A LARGER BLADE GUARD SIZE WITHOUT CHANGING TO PROPER BELT DRIVE, ENGINE SPEED AND BLADE FLANGES. FAILURE TO COMPLY COULD RESULT IN DEATH OR SERIOUS BODILY INJURY. SEE OPERATOR'S MANUAL FOR INSTRUCTIONS. IF YOU DO NOT HAVE AN OPERATOR'S MANUAL, CALL TOLL FREE 1-800-288-5040

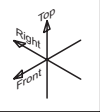
505 28 31-02 - Compl

09.09.08

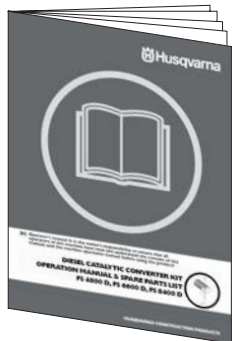
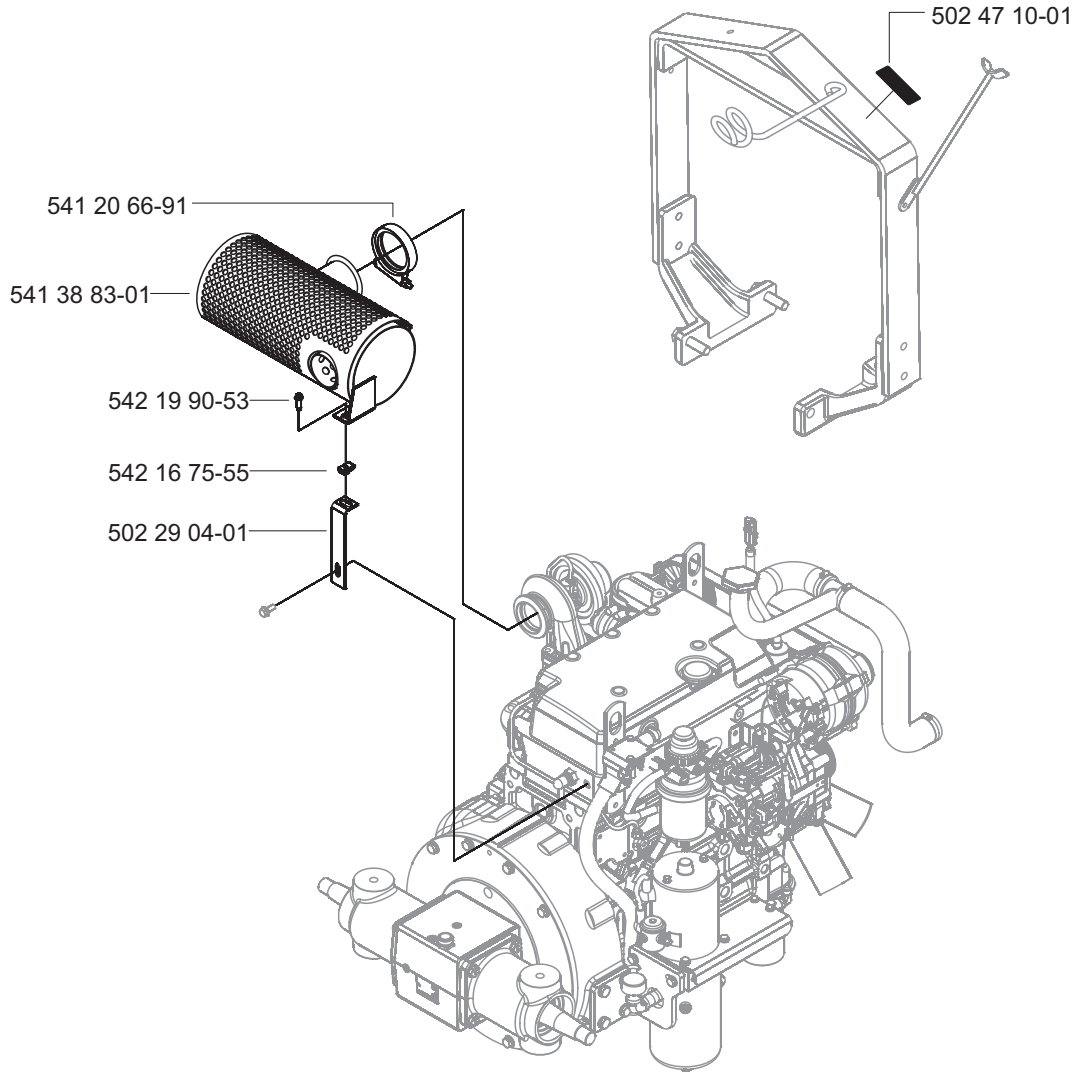


AC Catalytic Converter Kit

504 61 12-01 Compl



09.11.08



— 502 47 12-01

502 47 10-01

WARNING

 **Read & Understand Entire Catalytic Converter Manual Before Operation! Machine Is Equipped With A Diesel Catalytic Converter.** Failure to follow all safety precautions may result in permanent injury or death. If you do not have a Diesel Catalytic Converter Operation Manual, Call 1-800-288-5040 or 913-928-1000 (outside U.S.A.).

 **Use only in well ventilated areas!** Not For Use In Enclosed Areas!

 **Poison Exhaust Gas!** A properly working Diesel Catalytic Converter reduces, but DOES NOT eliminate, harmful emissions!

Husqvarna Construction Products N. A.
Corporate Office
17400 West 119th Street
Olathe, Kansas 66061
Tel. 913-928-1000
Fax 913-438-7951

Customer Service: 800-288-5040
Customer Serv. Fax: 800-825-0028



DUST WARNING



Cutting, especially when DRY cutting, generates dust that comes from the material being cut, which frequently contains silica. Silica is a basic component of sand, quartz, brick clay, granite and numerous other minerals and rocks. Exposure to excessive amount of such dust can cause:

- Respiratory diseases (affecting your ability to breath), including chronic bronchitis, silicosis and pulmonary fibrosis from exposure to silica. These diseases may be fatal;
- Skin irritation and rash; and
- Cancer according to NTP* and IARC*
* National Toxicology Program / International Agency for Research on Cancer

Take precautionary steps

- Avoid inhalation of and skin contact with dust, mist and fumes;
- Wet cut when feasible, to minimize dust;
- Wear and ensure that all bystanders wear appropriate respiratory protection such as dust masks designed to filter out microscopic particles. (See OSHA 29 CFR Part 1910.1200)

California Prop 65 Warning:

Use of this product can cause exposure to materials known to the State of California to cause cancer and/or birth defects or other reproductive harm.



Printed in the USA