

GB

Operator's manual

Please read the operator's manual carefully and make sure you understand the instructions before using the machine.

ES

Manual de instrucciones

Lea detenidamente el manual de instrucciones y asegúrese de entender su contenido antes de utilizar la máquina.

DE

Bedienungsanweisung

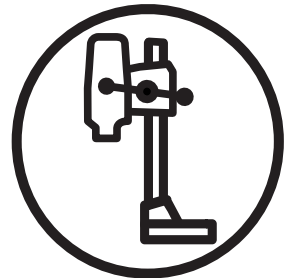
Lesen Sie die Bedienungsanweisung sorgfältig durch und machen Sie sich mit dem Inhalt vertraut, bevor Sie das Gerät benutzen.

FR

Manuel d'utilisation

Lire attentivement et bien assimiler le manuel d'utilisation avant d'utiliser la machine.

DMS160
A/AT/
Gyro



EN ES DE FR

KEY TO SYMBOLS

Symbols on the machine:

WARNING! The machine can be a dangerous tool if used incorrectly or carelessly, which can cause serious or fatal injury to the operator or others.



Please read the operator's manual carefully and make sure you understand the instructions before using the machine.



Always wear:

- Approved protective helmet
- Approved hearing protection
- Protective goggles or a visor
- Breathing mask



This product is in accordance with applicable EC directives.



Environmental marking. Symbols on the product or its packaging indicate that this product cannot be handled as domestic waste. It must instead be submitted to an appropriate recycling station for the recovery of electrical and electronic equipment.



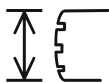
By ensuring that this product is taken care of correctly, you can help to counteract the potential negative impact on the environment and people that can otherwise result through the incorrect waste management of this product.

For more detailed information about recycling this product, contact your municipality, your domestic waste service or the shop from where you purchased the product.

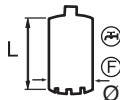
Ensure that water cannot leak into the machine when drilling in the ceiling. Use an appropriate water collector and cover the machine in plastic, but do not cover the air intakes and air outlets.



The drilling machine must be suitable and designed for the size of drill bit. The max drill bit diameter is stated on the machine.



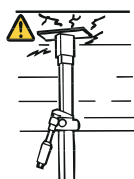
Use a drill suitable for the work.



Load/power indication (LCS-Load control system).



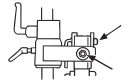
Check that the ceiling is strong enough. The ceiling should be solid.



Make sure that the fork grips in the inner ear. Tighten using a suitable spanner.



Lock the nut using a 30 mm spanner. Check the lock nut on the L-handle. Make sure that it is tightened.



WARNING! Dust forms when drilling, which can cause injuries if inhaled. Use an approved breathing mask. Always provide for good ventilation.



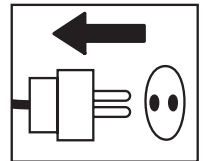
Noise emission to the environment according to the European Community's Directive. The machine's emission is specified in chapter Technical data and on label.



Other symbols/decals on the machine refer to special certification requirements for certain markets.

Symbols in the operator's manual:

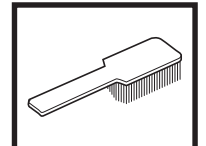
Inspection and/or maintenance should be carried out with the motor switched off and the plug disconnected.



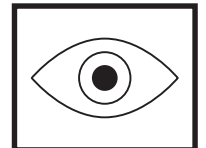
Always wear approved protective gloves.



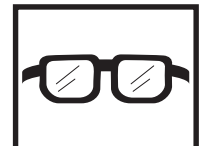
Regular cleaning is required.



Visual check.



Protective goggles or a visor must be worn.



CONTENTS

Contents

KEY TO SYMBOLS

Symbols on the machine:	2
Symbols in the operator's manual:	2

CONTENTS

Contents	3
----------------	---

WHAT IS WHAT?

What is what on the drilling machine?	4
---	---

WHAT IS WHAT?

What is what on the stand?	5
----------------------------------	---

SAFETY INSTRUCTIONS

Steps before using a new drilling machine	6
Personal protective equipment	6
Machine's safety equipment	7
Checking, maintaining and servicing the machine's safety equipment	7
General safety precautions	7

PRESENTATION

Drill motor and stand	8
Drill motor DMS160	8
Stand DMS160	8

ASSEMBLY

Assembling the stand - DMS160 A/AT	9
Assembling the stand - DMS160 Gyro	9

STARTING AND STOPPING

Before starting	12
Starting	12
Stopping	12

WORKING TECHNIQUES

General working instructions	13
Using the machine	14

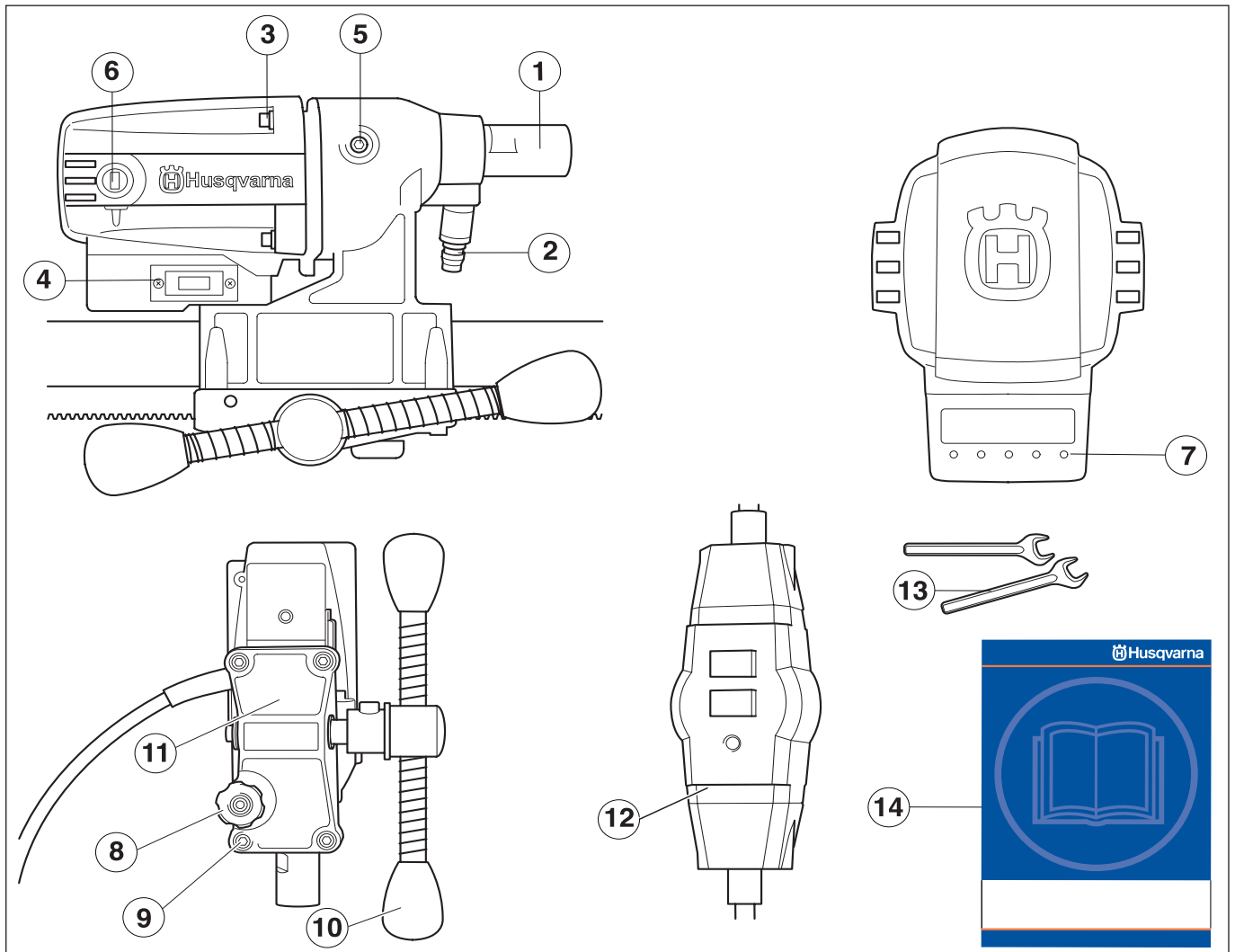
MAINTENANCE

Maintenance of the drill motor	15
Stand maintenance	16

TECHNICAL DATA

Drill motor DMS160	17
Stand DMS160	18
EC-declaration of conformity	18

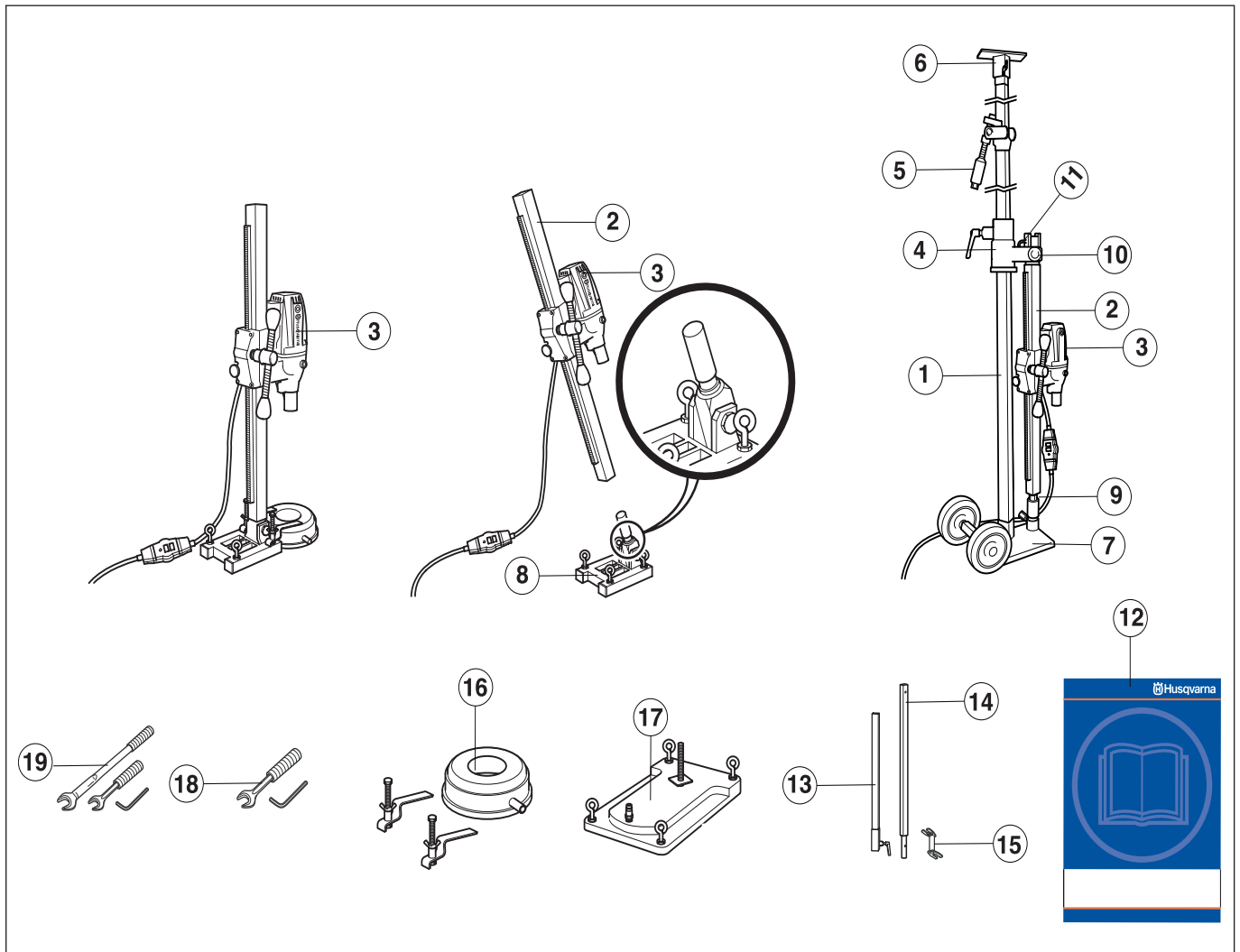
WHAT IS WHAT?



What is what on the drilling machine?

- | | |
|--|--|
| 1 Drill spindle | 8 Locking knob |
| 2 Water connector | 9 Screws (4) for feeder rear section and gearbox |
| 3 Screws holding together the gearbox and the motor. | 10 Feeder handle |
| 4 Switch | 11 Feeder rear section |
| 5 Cover for slip clutch (SMC) | 12 PRCD Earth-fault breaker |
| 6 Carbon brush cover | 13 Spanners |
| 7 Load/power indication (LCS-Load control system). | 14 Operator's manual |

WHAT IS WHAT?



What is what on the stand?

- | | |
|--|--|
| 1 Telescopic support column 40 | 11 L-handle |
| 2 Drill column | 12 Operator's manual |
| 3 Drill motor DMS160 | 13 Extension module U (Available as an accessory.) |
| 4 Wall rail | 14 Extension module I (Available as an accessory.) |
| 5 Support column/locking mechanism | 15 Expansion attachment (Available as an accessory.) |
| 6 Ceiling plate | 16 Water collector (Available as an accessory.) |
| 7 Base plate (GB 40 T) with transport wheels | 17 Vacuum plate (Available as an accessory.) |
| 8 Expander angle base plate | 18 Tool kit DMS160 AT |
| 9 Column screw and lock screw | 19 Tool kit DMS160 Gyro |
| 10 Locking nut | |

SAFETY INSTRUCTIONS

Steps before using a new drilling machine

- Read through the operating instructions carefully before you begin using the machine.
- This machine is designed for and intended for drilling concrete, brick and different stone materials. All other use is improper.
- The machine is intended for use in industrial applications by experienced operators.
- Check the assembly of the drill, see the section changing the drill bit.
- Check that the cord and extension cord are intact and in good condition.
- Keep the workplace tidy. Disorder leads to accident risks.

Always use common sense

It is not possible to cover every conceivable situation you can face when using a drilling machine. Always exercise care and use your common sense. Avoid all situations which you consider to be beyond your capability. If you still feel uncertain about operating procedures after reading these instructions, you should consult an expert before continuing. Do not hesitate to contact your dealer or us if you have any more questions about the use of the drilling machine. We will willingly be of service and provide you with advice as well as help you to use your drilling machine both efficiently and safely.

Let your Husqvarna dealer check the drilling machine regularly and make essential adjustments and repairs.

All information and all data in the Operator's Manual were applicable at the time the Operator's Manual was sent to print.



WARNING! Under no circumstances may the design of the machine be modified without the permission of the manufacturer. Always use genuine accessories. Non-authorized modifications and/or accessories can result in serious personal injury or the death of the operator or others.



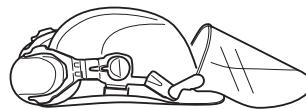
WARNING! The use of products such as cutters, grinders, drills, that sand or form material can generate dust and vapours which may contain hazardous chemicals. Check the nature of the material you intend to process and use an appropriate breathing mask.

Personal protective equipment

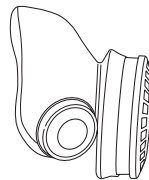


WARNING! You must use approved personal protective equipment whenever you use the machine. Personal protective equipment cannot eliminate the risk of injury but it will reduce the degree of injury if an accident does happen. Ask your dealer for help in choosing the right equipment.

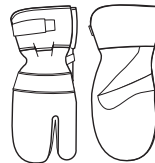
- Protective helmet
- Hearing protection
- Protective goggles or a visor



- Breathing mask



- Heavy-duty, firm grip gloves.



- Tight-fitting, heavy-duty and comfortable clothing that permits full freedom of movement.



- Boots with steel toe-caps and non-slip sole.



- Always have a first aid kit nearby.



SAFETY INSTRUCTIONS

Machine's safety equipment

This section describes the machine's safety equipment, its purpose, and how checks and maintenance should be carried out to ensure that it operates correctly. See the "What is what?" section to locate where this equipment is positioned on your machine.



WARNING! Never use a machine that has faulty safety equipment! Safety equipment must be inspected and maintained. See instructions under the heading Checking, maintaining and servicing the machine's safety equipment. If your machine does not pass all the checks, take it to a service workshop for repair.

Checking, maintaining and servicing the machine's safety equipment



IMPORTANT! All servicing and repair work on the machine requires special training. This is especially true of the machine's safety equipment. If your machine fails any of the checks described below you must contact your service agent. When you buy any of our products we guarantee the availability of professional repairs and service. If the retailer who sells your machine is not a servicing dealer, ask him for the address of your nearest service agent.

Switch

The power switch should be used to start and stop the machine.

Checking the power switch

- Start the machine by pressing the power switch.
- Shut down the machine by pressing the power switch.
- A defective power switch should be replaced by an authorized service workshop.

General safety precautions

- Do not use the drilling machine without first reading and understanding the contents of this Operator's Manual.



WARNING! There is always a risk of shocks from electrically powered machines. Avoid unfavourable weather conditions and body contact with lightning conductors and metal objects. Always follow the instructions in the Operator's manual to avoid damage.



WARNING! There is always a risk of crush injuries when working with products containing moving parts. Wear protective gloves to avoid body injuries.

- Never use the machine if you are tired, if you have drunk alcohol, or if you are taking medication that could affect your vision, your judgement or your co-ordination.
- Wear personal protective equipment. See instructions under the heading Personal protective equipment.
- Never carry the machine by means of the cord and never pull out the plug by pulling the cord. Keep all cords and extension cords away from water, oil and sharp edges. Make sure the cord is not pinched in doors, fences or the like. Otherwise it can cause the object to become live.
- Check that the cord and extension cord are intact and in good condition. Use an extension cord intended for outdoor use. Never use the machine if the cord is damaged, hand it in to an authorized service workshop for repair.
- Do not use an extension cord while it is rolled up to avoid overheating.



- The machine should be connected to an earthed outlet socket.
- Check that the mains voltage corresponds with that stated on the rating plate on the machine.
- Never use a machine that is faulty. Carry out the checks, maintenance and service instructions described in this manual. Some maintenance and service measures must be carried out by trained and qualified specialists. See instructions under the heading Maintenance.
- Never allow anyone else to use the machine without first ensuring that they have understood the contents of the operator's manual.
- People and animals can distract you causing you to lose control of the machine. For this reason, always remain concentrated and focused on the task.
- Be careful as clothing, long hair, and jewellery can get caught in moving parts.

Transport and storage

Do not store or transport the drilling machine with the drill bit fitted in order to protect your drilling machine and drill bits from damage.

Store the drilling machine in a lockable area so that it is out of reach of children and unauthorised persons.

Store the drilling machine and stand in dry and frost free conditions.

PRESENTATION

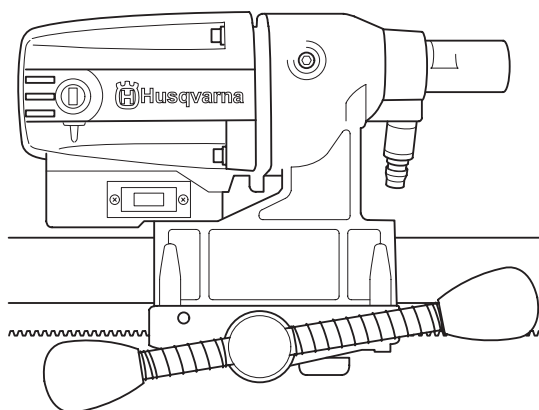
Drill motor and stand

It is our wish that you will be satisfied with your product and that it will be your companion for a long time. Think of this operator's manual as a valuable document. By following its' content (using, service, maintenance etc) the life span and the second-hand value of the machine can be extended. If you will sell this machine, make sure that the buyer will get the operator's manual.

A purchase of one of our products gives you access to professional help with repairs and services whenever this may be necessary. If the retailer who sells your machine is not one of our authorised dealers, ask him for the address of your nearest service workshop. Use only genuine parts for repairs. The warranty is not valid if non genuine parts are used.

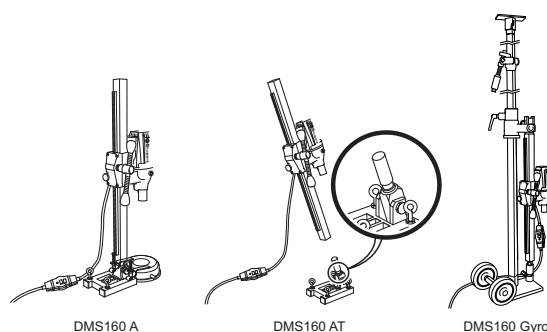
Husqvarna Construction Products has a policy of continuous product development. Husqvarna reserves the right to modify the design and appearance of products without prior notice and without further obligation introduce design modifications.

Drill motor DMS160



- DMS160 is an electric drill, intended for drilling concrete, brick and various stone materials.
- The drilling machine has a modular design and is easy to assemble.
- The machine has a speed range for drill bits with a diameter(\varnothing) of 120 mm / 4.75 in.
- The design of the slip clutch (SMC- Slide Mechanical Clutch) gives the greatest power output and it can be adjusted from outside.
- The machine is intended for stand mounted drilling.
- The machine is water cooled.
- The machine is double insulated and has power indicators.
- The machine works at its best if not overloaded, let the maximum yellow LED on the load/power indicator (LCS- Load Control System) be on. Max. 10 minutes max. load the machine must then be run without a load for 2 minutes.

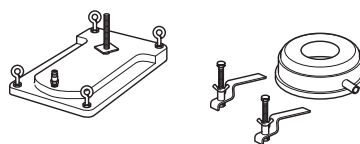
Stand DMS160



DMS160 A/AT

The stands are secured using expanding screws.

- A water collector and vacuum plate are available as accessories to suck the stand into place.



DMS160 AT

- DMS160 AT has a modular design that permits angle drilling and a rotation function.

DMS160 Gyro

- DMS160 Gyro has a modular design with telescopic stand to secure the drill motor.
- The telescopic support column has a maximum length of 3.1 metres, but can be extended an additional 0.75 metres using an extension module.
- A maximum of one extension module may be used.
- Only one spanner (24/30 mm) and an allen key (8 mm) are required to change the settings.

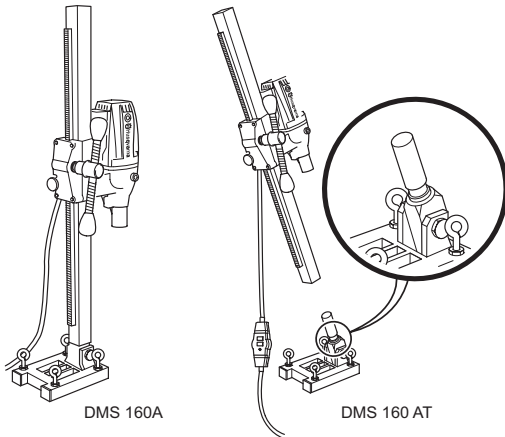


The drill column can be variably adjusted through 360°.

- The transport wheels can be removed.

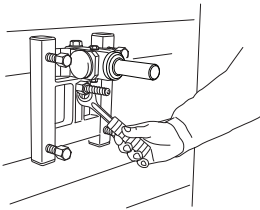
ASSEMBLY

Assembling the stand - DMS160 A/ AT



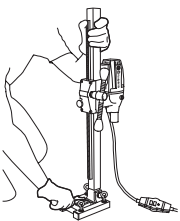
DMS160 A/AT

- Drill holes (15 mm) in the floor or in the wall and knock in the expander bolts.
- 20 Bolt down the base plate. Check carefully that the expander is secured correctly.

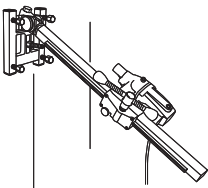


DMS160 AT

- The drill column is mounted on the base plate's angle bracket. Tighten the lock screw with an 8 mm allen key. The drill column can be turned through 360° and locked variably in each position using a locking screw (8 mm allen key)

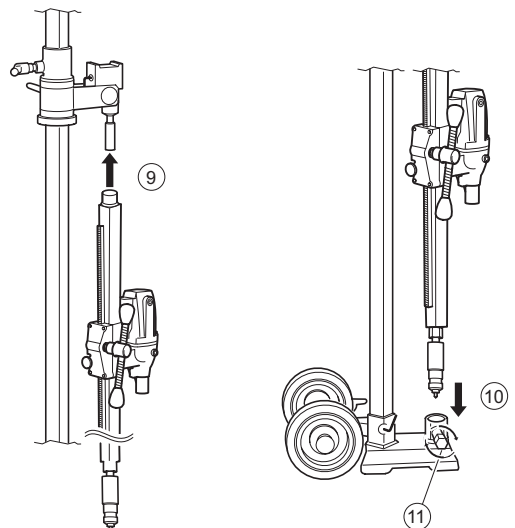
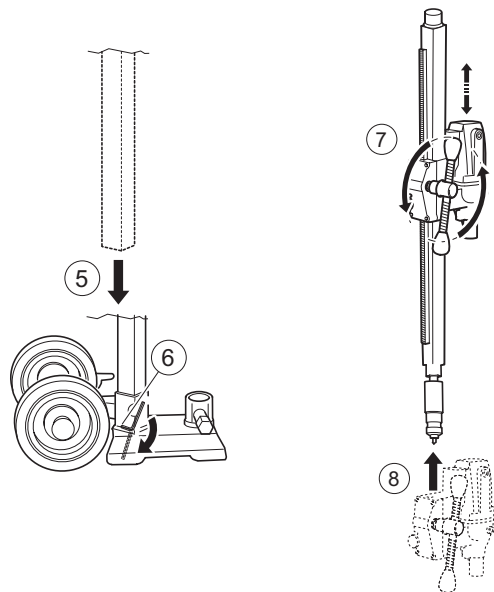
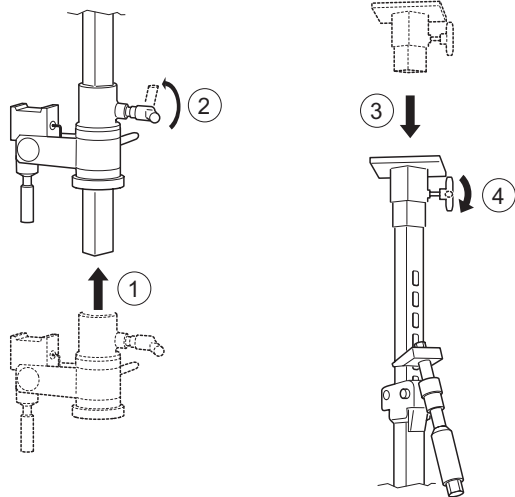
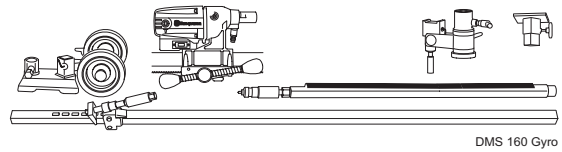


- The drill column is set at the required angle by tightening the nut using a 24 mm spanner. If the vacuum plate is used, make sure the support surface is not porous and can loosen from the floor or the wall. Make sure that the vacuum pump has sufficient power to secure the vacuum plate. A suitable vacuum motor is Husqvarna VP200.



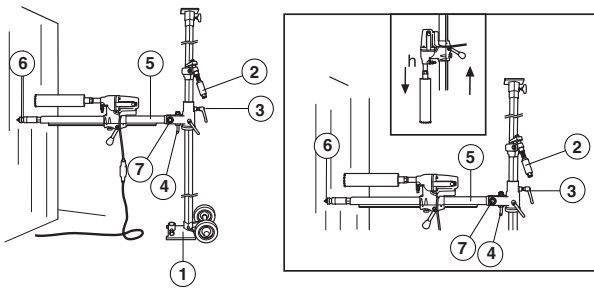
WARNING! The vacuum plate must never be used for ceiling drilling. Careless or incorrect use can result in serious or fatal injury to the operator or others.

Assembling the stand - DMS160 Gyro



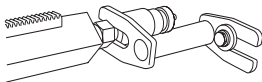
ASSEMBLY

Drilling in walls

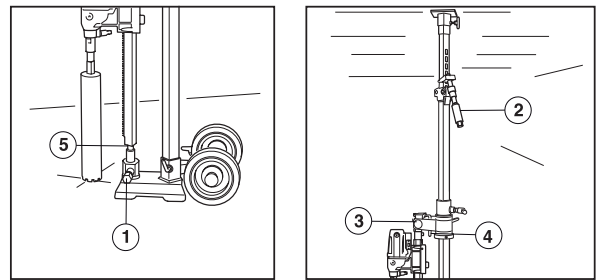


- 1 Base plate with locking screw.
- 2 Column screw and lock screw
- 3 Locking knob
- 4 L-handle
- 5 Drill column
- 6 Column screw and lock screw
- 7 Locking nut
- 8 Drill motor DMS160

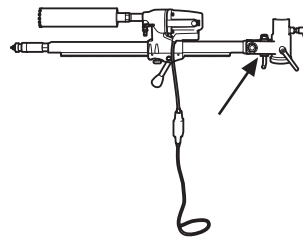
- Place the base plate at a drill column's length from the wall. The support column screw should be screwed in. When drilling is to be performed at a height greater than 1.5 metres, the heavier outer tube should be turned upwards and vice versa when drilling below 1.5 metres. Check that the support column is clamped in the base plate with the locking screw.
- Clamp the telescopic column support against the ceiling. Choose the closest hole in the holed inner tube. Clamp using the support column handle and screw the last bit using a 24 mm spanner. Do not clamp too tight.
- Loosen the locking handle and rotate the drill column. Fold down the drill column using the L-handle.
- Fit the drill motor DMS160 on the drill column.
- Then turn back the drill column with the drill motor to the desired position against the wall. Lock the locking handle.
- Angle back and fold up the drill column, secure with the L-handle and nut. When angle drilling, loosen the L-handle and set the drill column at the required angle by tightening the nut using a 30 mm spanner.
- Check the position of the drill bit. Screw in the support column screw against the wall to secure the drill column. Secure with a locking nut, 30 mm. Use a wooden batten as packing. The drill column can be turned through 360° and locked variably in each position using a locking screw (8 mm allen key)
- The expander attachment can be used to provide additional anchorage of the drill column. The attachment is adjusted against the support column screw and is secured on the wall with an expansion bolt. Secure with a locking nut, 30 mm.



Drilling in the floor



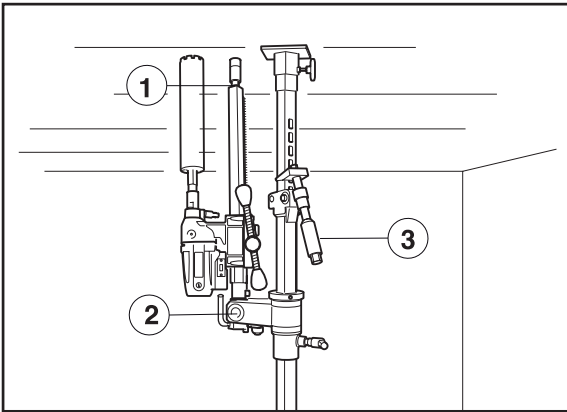
- 1 Locking screw
 - 2 Column screw and lock screw
 - 3 Locking knob
 - 4 L-handle
 - 5 Locking screw
- Fold down the drill column using the L-handle.
 - Make sure that the support column enters the lock sleeve.
 - Tighten the locking nut with a 30 mm key and lock the locking handle.



- Place the stand in the required position.
- 6 Lock the support column in the lock sleeve with the locking screw and the nut. Tighten using the 24 and 30 mm spanners.
- Clamp the telescopic support column against the ceiling with the support column mechanism. Tighten the last bit using a 24 mm spanner, do not tighten too tight. The telescopic support column has a maximum length of 3.1 metres, but can be extended an additional 0.75 metres using an extension module.

ASSEMBLY

Drilling in the ceiling

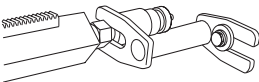


1 Column screw and lock screw

2 Locking nut

3 Column screw and lock screw

- Place the stand in the required position.
- Check that the support column screw in the drill column is screwed in. Fold up and lock the drill column in the vertical position with the locking nut.
- Check that the drill bit is in the right position. Clamp the telescopic support column against the ceiling with the support column mechanism.
- Screw in the support column screw against the ceiling to secure the drill column. Secure with a locking nut, 30 mm. Use a wooden batten as packing.
- The expander attachment can be used to provide additional anchorage of the drill column. (Available as an accessory.) The attachment is adjusted against the support column screw and is secured on the wall with an expansion bolt. Secure with a locking nut, 30 mm.



WARNING! The vacuum plate must never be used for ceiling drilling. Careless or incorrect use can result in serious or fatal injury to the operator or others.

STARTING AND STOPPING

Before starting



WARNING! Note the following before starting:

The machine should be connected to an earthed outlet socket.

Check that the mains voltage corresponds with that stated on the rating plate on the machine. Keep people and animals well away from the working area.

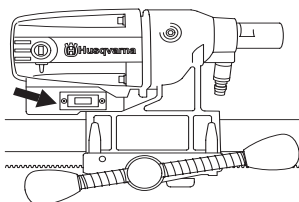


WARNING! Before drilling, check that all locking screws are tightened well.

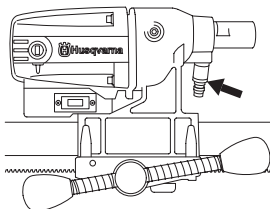
Serious accidents can occur if the concrete core remains in the drill when backing out the drill motor/drill from the floor, wall or ceiling.

Make sure that:

- The switch is undamaged. If not, the switch must be replaced by an authorised repairman.



- The drill and its equipment are correctly installed:
 - The drill is secured properly.
 - The stand is firmly attached.
 - Secure the machine on the stand using a suitable method.
- Wear personal protective equipment. See instructions under the heading Personal protective equipment.
- Water cooling is connected to the machine.

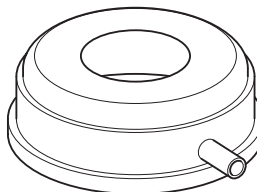


Drilling in the ceiling



WARNING! The vacuum plate must never be used for ceiling drilling.

Use a water collector to avoid water penetrating into the machine. The machine must be covered with plastic or the like in order to prevent water penetrating into the machine, but do not cover the air intakes and air outlets.



WARNING! A maximum of one extension module may be used.

Check that no one on the floor below can be injured by falling concrete cores.

Starting

- Turn on the water cooling.
- Press in the switch fully.
- Start to feed the drill bit with the help of the feed handle.

Stopping



WARNING! The drill bit continues to rotate for a while after the motor has been switched off. Do not stop the drill bit with your hands. Personal injuries can occur.

Shut down the machine by pressing the power switch.

Cooling

Run the machine unloaded for a minute or two to cool the motor.

WORKING TECHNIQUES

General working instructions



WARNING! This section takes up the basic safety precautions for working with the drilling machine. This information is never a substitute for professional skills and experience. If you encounter a situation where you are uncertain how to proceed you should ask an expert. Contact your dealer, service agent or an experienced drilling machine user. Do not attempt any task that you feel unsure of!



WARNING! Overexposure to vibration can lead to circulatory damage or nerve damage in people who have impaired circulation. Contact your doctor if you experience symptoms of overexposure to vibration. Such symptoms include numbness, loss of feeling, tingling, pricking, pain, loss of strength, changes in skin colour or condition. These symptoms normally appear in the fingers, hands or wrists. These symptoms may be increased in cold temperatures.

- Never work alone, always ensure there is another person close at hand. Apart from being able to receive help to assemble the machine, you can also get help if an accident should occur.
- Keep all parts in good working order and ensure that all fixtures are properly tightened.
- Do not use the machine in bad weather, such as dense fog, rain, strong wind, intense cold, etc. Working in bad weather is tiring and can lead to dangerous conditions, e.g. slippery surfaces.
- Never start to work with the power cutter before the working area is clear and you have a firm foothold. Look out for any obstacles with unexpected movement. Ensure when cutting that no material can become loose and fall, causing operating injury.
- Remain at a distance from the drill bit when the motor is running.
- Ensure that the working area is sufficiently illuminated to create a safe working environment.
- Make sure that no pipes or electrical cables are routed in the area to be drilled.
- Ensure the cord is behind you when you start to use the machine so that the cord will not be damaged.
- Never leave the machine unsupervised with the motor running. A rotating drill bit can entail a risk of serious injury.
- Always unplug the machine during longer work breaks.
- Do not overload the machine. Overloading can damage the machine.
- Keep tools sharp and clean in order to enable safer work.
- Always check the rear side of the surface where the drill bit will emerge when drilling right through. Secure and cordon off the area and make sure that no one can be injured or material damaged.
- Always switch off the machine before you move it.

WORKING TECHNIQUES

Using the machine

- Keep your hands at a safe distance from the drill spindle and drill bit when the machine is running.
- Keep an eye open for oil or water leakage.

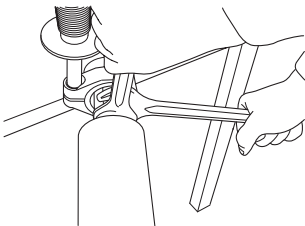
Drilling outdoors

Always use extension cables that are approved for outdoor use.

Changing the drill bit



- 1 Pull out the plug.
- 2 Get:
 - The new drill bit.
 - The supplied open-ended spanners, size 24 mm and 32 mm.
 - Water-resistant grease.
- 3 Remove the old drill bit using the open-ended spanners.
- 4 Apply water-resistant grease to the thread of the new drill bit.
- 5 Attach the drill bit using the open-ended spanners.

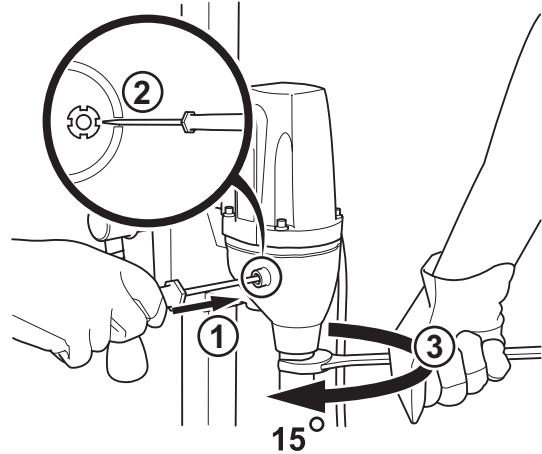


Slip clutch (SMC)

The machine is equipped with a mechanical slip clutch (SMC).

Tension the slip clutch as follows:

- Loosen the cover for the slip clutch.



- Carefully lock the hook nut using a flat wide screwdriver in one of the hook nut's four notches.
- Turn the drill spindle with a 27 mm open-ended spanner 15 degrees.

Remove the screwdriver and refit the cover on the slip clutch.

Load/power indication (LCS-Load control system).

The machine works at its best if not overloaded, let the maximum yellow LED on the load/power indicator (LCS- Load Control System) be on. Max. 10 minutes max. load the machine must then be run without a load for 2 minutes.

MAINTENANCE

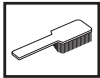
Maintenance of the drill motor



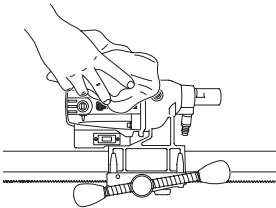
IMPORTANT! Inspection and/or maintenance should be carried out with the motor switched off and the plug disconnected.

The lifetime of your machine can be extended considerably if it is used, cared for and maintained in the proper manner.

Cleaning



- Keep the machine and drill bit clean in order for drilling to be carried out safely



- In order for the machine to always be cooled sufficiently the cooling air openings must be kept clear and clean. Blow down the machine regularly with compressed air.

Electrical Feed



WARNING! Never use damaged cables that can cause serious, even fatal, personal injuries.

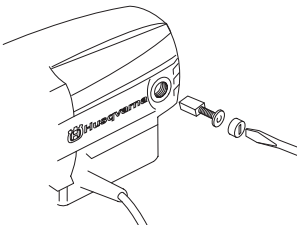
Check that the cord and extension cord are intact and in good condition. Never use the machine if the cord is damaged, hand it in to an authorized service workshop for repair.

Repairs

IMPORTANT! All types of repairs may only be carried out by authorised repairmen. This is so that the operators are not exposed to great risks.

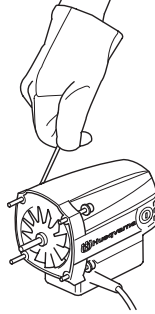
Replacing the motor and the gearbox.

- 1 Secure the machine with drill spindle downwards in a vice or the like.
- 2 Remove the cover for the carbon brushes using a flat wide screwdriver.



- 3 Carefully remove the carbon brushes.

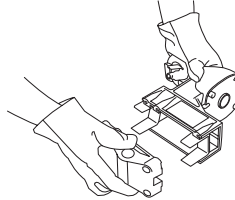
- 4 Unscrew the four screws holding together the motor and gearbox.
- 5 Loosen the ground cable from the gearbox cover (only applies to 230V).
- 6 Carefully disassemble the machine.
- 7 Replace the module that needs to be replaced. Use Castrol MS3 Molybdenum grease in the gearbox.



- 8 Assemble the motor with the gearbox.
- 9 Replace the screws.
- 10 Screw on the brush cover.

Changing the rear section

- 1 Loosen the four screws and the locking knob on the rear of the drill.
- 2 Replace the two slide plates when the rear section is to be replaced.



- 3 Bolt together the rear section using the four screws. Screw in the locking knob.

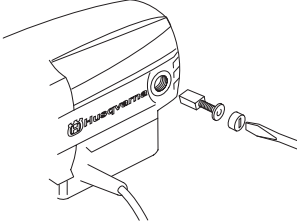
MAINTENANCE

Replacing the carbon brushes

The carbon brushes must be removed and checked regularly. Weekly if the machine is used daily or at longer intervals if the machine is used more seldom. The area of wear should be even and undamaged.

Both carbon brushes must always be replaced as a pair, but one at a time. Do as follows:

- 1 Remove the cover for the carbon brushes using a flat wide screwdriver.



- 2 Carefully remove the carbon brushes. The carbon brushes must be replaced if there is less than 6 mm remaining on the brushes.
- 3 Fit new carbon brushes.
- 4 Screw on the brush cover.
- 5 Let the machine idle for 10 minutes to run in the new carbon brushes.

Daily maintenance

- 1 Check that nuts and screws are tight.
- 2 Check that the power switch unit works smoothly.
- 3 Clean the outside of the machine.
- 4 Check and clean the cooling air openings
- 5 Check that the cord and extension cord are intact and in good condition.

Stand maintenance



Cleaning and lubrication

IMPORTANT! Remove the drill motor. For maintenance of the drill motor see maintenance of the drill motor.

- It is important that the drill stand is kept clean for functionality to be maintained.
- Clean the stand using a high pressure washer and then wipe dry.
- Lubricate the moving parts on the stand. Apply standard grease to counteract corrosion on the contact surfaces.

Repairs

IMPORTANT! All types of repairs may only be carried out by authorised repairmen. This is so that the operators are not exposed to great risks.

Daily maintenance

- 1 Check that nuts and screws are tight.
- 2 Clean the outside of the machine.

TECHNICAL DATA

Drill motor DMS160

Electric motor	Single-phase
Rated voltage, V	230/100-120
Rated output, W	1560/6 A

Rated current, A

230 V	6A
100-120 V	13A

Weight, Lbs/kg	5,9
----------------	-----

Noise emissions

Sound power level, measured, prEN 61029-2-6 (2007), dB(A)	102
---	-----

Sound levels

Noise pressure level at the operators ear, measured according to prEN 61029-2-6 (2007), dB(A)	89
---	----

Vibration levels

Handle, equivalent value, m/s ²	<2,5
--	------

Diameter drill bit, mm

Max. diameter of the drill bit, with stand	120 mm (4.7")
Spindle thread	Int. 1/2" R
Water connector	G 1/4"

Spindle speed, idle, rpm

Green 1	1100
Green 2	980
Green 3	840

Spindle speed, rpm

Yellow	700
Red	640

TECHNICAL DATA

Stand DMS160

Height, mm

DMS 160 A height, mm	840
DMS 160 AT height, mm	900
DMS 160 Gyro height, mm	1900-3100
Stroke, mm	600
Max. drill bit diameter (mm)	120

Weight, Lbs/kg

DMS160 A	10,5
DMS160 AT	12
DMS160 Gyro	31,4
Tool kit DMS160 AT	0,3
Tool kit DMS160 Gyro	0,8

Weight, kg (extra accessory)

Vacuum plate	2,5
Water collector	0,7
Extension module I	2,9
Extension module U	2,9
Expansion attachment	0,8

EC-declaration of conformity

(Applies to Europe only)

Husqvarna Construction Products, SE-433 81 Göteborg, Sweden, tel: +46-31-949000, declares under sole responsibility that drilling machine and stand **Husqvarna DMS160 drill motor, DMS160 A/AT/Gyro** from 2007's serial number and onward (the year is stated in plain text on the type plate plus a subsequent serial number) conform with the regulations in the COUNCIL'S DIRECTIVE:

- of June 22, 1998 "relating to machinery" **98/37/EC**, annex IIA.
- of May 3, 1989 "relating to electromagnetic compatibility" **89/336/EEC**, and applicable supplements.
- of February 19, 1973 "relating to electrical equipment" 72/23/EEC

The following standards have been applied:

SS-EN ISO 12100 (2003), EN 55014-1 (2000)/A1/A2, EN 55014-2 (1997)/A1, EN 61000-3-2 (2000)/A2, EN 61000-3-3 (1995)/A1/A2.

The supplied drilling machine conforms to the example that underwent EC type examination.

Göteborg, May 5, 2006



Martin Larsson, R&D-manager