



- FR** Manuel d'utilisation et d'entretien
- GB** Operator's manual
- DE** Betriebs- und Wartungsanleitung
- IT** Manuale di istruzioni
- ES** Manual de explicaciones
- NL** Gebruiksaanwijzing
- SE** Drift- och underhållshandbok
- PO** Manual de instruções

RVL 200

RVL 300

EXPLANATION OF SYMBOLS – WARNINGS

Explanation of the symbols

Use of pictograms on the machines (in color) and in the manual indicate safety warnings



WATCH OUT! DANGER! General danger signal.



REQUIREMENT. The following must always be used with the machine:

- certified safety helmet
- certified ear protection
- certified safety goggles or certified eyeshade.



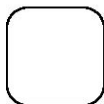
Carefully READ and assimilate the user's manual before operating the machine.



WARNING. Triangle and black marking on yellow background. Danger if instructions are ignored. Risk of injury to user or third party. Risk of damage to machine or tool.



PROHIBITED. Red circle with or without diagonal bar. Use or presence forbidden.



INFORMATION or specific instructions on how to use or check the machine.



This machine complies with the EC directive in force.



STOP symbol.



Safety goggles or eyeshade must be worn.



Loud noise in environment as defined by European Community directive.



Symbol on the product or its packaging showing that this product must not be treated as household waste. It must be deposited at a collection point approved for recycling of electric or electronic devices. By complying with proper disposal procedure when the product becomes obsolete, you help prevent environmental or health hazards that could result from mishandling the product. For further information on the recycling of this product, please contact your city hall, local waste drop-off center or the store where you bought the product.

CE DECLARATION - INDEX

Declaration of conformity

Manufacturer, **HUSQVARNA CONSTRUCTION PRODUCTS**, 41 383 Gothenburg, Sweden, herewith declares that the machine **RVL200/RVL300** conforms to the DIRECTIVES:

- "MACHINES" modified (89/392/CEE)
- "LOW VOLTAGE" modified (73/23/CEE)
- "EMC" (89/336/CEE)
- "NOISE" (2000/14/CEE)
- " WASTE ELECTRICAL AND ELECTRNIC EQUIPEMENT (WEEE) " (2002/96/EC



Christer Carlberg, Operations Manager
Husqvarna Construction Products

Preface

Before leaving our factory every machine passes an exacting inspection programme in which everything is checked minutely.

Following the instructions will ensure that your machine gives long service, in normal operating conditions. The user advice and spare parts mentioned in this document are given as an indication, and do not constitute an undertaking.

No warrantee will be granted in the event of errors or omissions, or for damage occur-ring during delivery, or caused by the design or use of the machine. We are very concerned about the quality of our products and we reserve the right to make any technical modifications to improve them, without warning.

This document will:

- provide the user with: information about the machine
- information about its possible uses
- prevent accidents due to unsuitable use, by an untrained person, during maintenance, repairs, overhauls, handling or transport
- improve the reliability and durability of the machine
- ensure correct use, regular maintenance, and fast fault finding in order to reduce repair costs and down time.



The manual should always be available at the place of work. It should be read and used by any person installing or using the machine.



The obligatory technical regulations in force in the country where the machine is used must also be adhered to for maximum safety.

Index

EXPLANATION OF SYMBOLS

Explanation of the symbols..... 2

CE DÉCLARATION

Conformity declaration..... 3

Preface 3

INDEX

Index..... 3

TECHNICAL FEATURES

Technical features 4

INSTRUCTIONS DE SÉCURITÉ

Specific precautions 5

DO – DON'T 5

Check before operating 6

Gasoline (petrol) powered machine 6

Electric powered machine 6

Scrap 6

STARTING UP

Fitting the rule..... 7

Operating..... 7

MAINTENANCE

Motor Gas maintenance 7

General maintenance 8

Repairs 8

Spare parts 8

Warrantee..... 8

The instructions for use and spare parts found in this document are for information only and are not binding.

As part of our product quality improvement policy, we reserve the right to make any and all technical modifications without prior notice.

TECHNIQUES CHARACTERISTICS

RVL 200

General data

Nominal density (kg)	17 kg
Dimensions (W x L x H - mm)	280 x 2000 x 400
Motor rotation speed (rpm)	7500
Power (CV/kW)	1 / 0.74

Noise emissions

Sound power, L_{WA} dB(A) EN ISO 3744	112
--	-----

Sound level

Equivalent sound pressure level at user's ear L_{pa} (dB)EN ISO 4871	94
---	----

Vibration level

According to ISO 5489 Aeq (m/s ²),	2.1
---	-----

Type plate

TYPE	RVL 200/300	N° SERIE			
MASSE UTILE	17/21	ANNEE DE FABRICATION		0.74	kW
		kg	POWER		
MAXI OUTIL		mm	PLAGE DE TENSION		V
ALESAGE		mm	FREQUENCE		Hz
T/MIN – RPM	6000		INT UTIL		A

TYPE	RVL 200/300	SERIAL #			
EFFECTIVE MASS	17/21	YEAR MANUFACTURED		0.74	kW
		kg	POWER		
MAX TOOL DIAMETER		mm	VOLTAGE RANGE		V
BORE		mm	FREQUENCY		Hz
RPM	6000		USEFUL INTENSITY		A

RVL 300

General data

Nominal density (kg)	21 kg
Dimensions (L x l x H - mm)	280 x 3000 x 400
Motor rotation speed (rpm)	7500
Power (CV/kW)	1 / 0.74

Noise emissions

Sound power, L_{WA} dB(A) EN ISO 3744	112
--	-----

Noise level

Equivalent sound pressure level at user's ear L_{pa} (dB)EN ISO 4871	94
---	----

Vibration level

According to ISO 5489 Aeq (m/s ²),	2.1
---	-----

Type plate

TYPE	RVL 200/300	N° SERIE			
MASSE UTILE	17/21	ANNEE DE FABRICATION		0.74	kW
		kg	POWER		
MAXI OUTIL		mm	PLAGE DE TENSION		V
ALESAGE		mm	FREQUENCE		Hz
T/MIN – RPM	6000		INT UTIL		A

TYPE	RVL 200/300	SERIAL #			
EFFECTIVE MASS	17/21	YEAR MANUFACTURED		0.74	kW
		kg	POWER		
MAX TOOL DIAMETER		mm	VOLTAGE RANGE		V
BORE		mm	FREQUENCY		Hz
RPM	6000		USEFUL INTENSITY		A

SAFETY INSTRUCTIONS

Specific precautions

The manufacturer declines any liability resulting from misuse or modification of the saw.

Although designed for safe and reliable service when used according to instructions, there is a risk of harm to the user or damage to the saw unless certain precautions are taken. In particular, the following points must be regularly verified at the worksite:

- perfect technical conditions (saw used for suitable jobs considering potential risks; elimination of any malfunctions jeopardizing safety),
- competent personnel (qualification, age, training, skill), who understand the manual in detail before starting work. Any electrical, mechanical or other defect or failure is to be inspected by an authorized service expert (eg electrician, maintenance manager, official dealer)
- observance of all warnings and directives marked on the machine (eg use of personal protective equipment); users must follow all instructions and comply with all safety rules
- no modification, transformation or addition that could potentially effect safety may be performed without the manufacturer's express authorization
- periodic inspections must be carried out as specified, at the intervals specified
- original manufacturer's spare parts must be used for any repairs.

DO

- DO carefully read and make sure that you have understood all instructions before using the saw.
- DO keep all safety guards in place
- DO always wear approved ear, eye, head and respiratory protective equipment
- DO always keep a safe distance from the disc and other moving parts
- DO know how to stop the saw fast in case of emergency.
- DO stop the motor and let it cool down before refueling.
- DO check the disc, clamps and shafts for damage before installing the disk
- DO exercise all due care and follow all instructions when loading and unloading saw.

DON'T

- DON'T allow other people nearby when starting the saw, refueling or cutting
- DON'T run gasoline (petrol) motors in a confined space without appropriate ventilation
- DON'T use damaged equipment or disks
- DON'T operate the saw in the vicinity of flammable products. Sparks sprayed by the saw may cause fire or explosion.
- DON'T authorize disc protection under 108° C
- DON'T leave saw unattended with motor running.
- DON'T use under the influence of alcohol or drugs.



**IGNORING THESE WARNINGS MAY
RESULT IN DEATH OR SERIOUS
BODILY HARM.**

SAFETY INSTRUCTIONS

Check before operating



Before starting, read the instructions carefully and get familiar with the machine.



Stop the motor



The work area must be orderly, well lit and hazard free (eg no moisture and no hazardous products nearby).



The operator must wear suitable personal protective equipment.



Safety earmuffs required.



Unauthorized persons must be kept away.



Use only discs marked with a maximum operating speed greater than that of the disk shaft

Electric powered machine

Verify the following:



ELECTRICAL SAFETY: Must be connected to power source using a grounded 30mA residual differential current circuit-breaker. Should there be no such circuit breaker on the power supply network, please see our catalogue for different models available.

- Proper use of residual differential current (RDC) system, including periodic inspection. For tools with an RDC system built into the electrical cord or plug: should the cord or plug become damaged, repairs may be performed only by the manufacturer, their authorized agent or a qualified repair shop in order to avoid any hazard due to improper repair.
- Motor power supply: reinforced HO7 RNF electrical cable with 5 x 2.5 mm² section of up to 100 meters for 400V.
- Ensure that voltage of the power network matches that identified on the identity plate of the machine
- Three-phase motor: ensure that the rotational direction of the shaft corresponds to that shown by the arrow on the disk housing. If the motor does not rotate in the desired direction, inverse two phases by turning two power socket terminals.
- Machine must be grounded.

Scrap



Should the machine wear out or break, it must be disposed of in compliance with legislation in force.

Gasoline (petrol) powered machine

(see motor maintenance manual):



Always check ambient health & safety conditions.

- Fill up gas (petrol) tank.
- Check oil. Since the motor is often operated in inclined position, check frequently, in horizontal position, that oil level never falls below the second mark on the gauge.

Main materials:

- Motor: aluminum (AL) - steel (AC) - copper (CU) - polyamide (PA)
- Machine: sheet steel (AC) – cast iron (FT) - aluminum (AL)

OPERATING-MAINTENANCE

Fitting the rule [FIG. 1]

- Place the straightedge on the ground.
- Position the motor unit on top of it.
- Insert bolts (1) and flat washers (2), then toothed washers (3) and nuts (4).
- Tighten the bolts (1) with the spanner supplied.

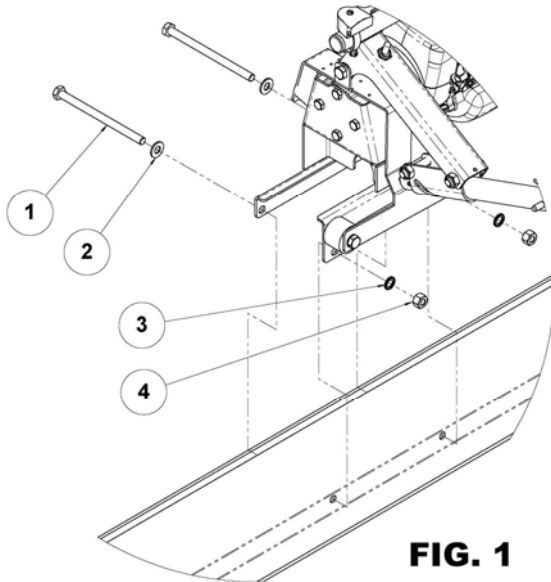


FIG. 1

Operation [FIG.2]

- Level in the usual way, pour on the concrete and place your rule at the start of the first strip.
- Fit the shaft to the motor block.
- Before starting, spray diesel or shuttering oil on the rule to prevent it sticking to the concrete.
- Start the engine (see instructions).
- Adjust the vibration to suit the fluidity of the concrete.
- Place the bar on your shoulder and rotate it to tilt the rule backwards or forwards.
- Pull slowly towards you.
- Repeat, if necessary.
- When smoothing the following strip, position the rule so that it overlaps the area already smoothed by 15 cm.



FIG. 2

Engine

STARTING

- For four-stroke engines, fill up the fuel tank with petrol only.
- Do not smoke while filling the tank.**
- Prime the carburettor with the speed control lever closed until the fuel comes out of the over flow.



WARNING :

If you do not press the priming pump fully down, the fuel runs directly into the engine which is then difficult to start. The priming pump must always be pushed fully down.

- Turn the switch to the ON position.
- Open the speed control half way.
- Close the choke.
- Pull the starter cord.



Do not pull the starter cord when it is fully out.

- After it fires for the first time, open the choke.
- Pull on the starter again.
- Adjust the engine speed using the speed control

OPERATING-MAINTENANCE



STOPPING

- Place the fuel control lever to idle position.
- Turn the switch to the OFF position.



WARNING: WHEN USING A HONDA MOTOR :

- Extreme use: 3 to 5°C and 80 to 100% humidity.
- If you have problems with the carburettor icing up, stop the motor for approximately 5 minutes and then restart.



When working in a limited or closed area, make sure that the ventilation is adequate. The exhaust gases contain carbon monoxide (exposure to this toxic gas can cause loss of consciousness and can be fatal).

Maintenance

- Clean the rule each time it has been used.
- Lubricate the shaft joint at least once a month.
- If you use a jet or high pressure cleaner, it is **ESSENTIAL** to prevent any water splashing on to the engine.

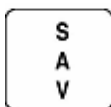
IMPORTANT: When the front part of the rule has become worn, the rule may be turned round.



The manufacturer disclaims all responsibility in the event of incorrect use or modification of this equipment.

- Honda recommends a disassembling and cleaning of the air filter after each use.

Repairs



Contact your supplier who is entirely at your service to carry out repairs in the shortest time at the best possible price.

Spare parts

For rapid delivery of spares and in order to avoid any wasted time, it is necessary to remind your supplier of the details shown on the type plate on the machine with each order, as well as the reference of the part to be replaced.

543 000 000 (0)
Code Quantity

Warranty

1. PERIOD

The warranty is acknowledged as of the date of purchase (date of the invoice of the distributor) and is valid for a period of 12 months.

2. WARRANTY

The warranty is limited to the free of charge replacement of parts recognised as defective by HUSQVARNA (excluding wear components and consumables) providing the repair is made within after-sales service of HUSQVARNA or a recognised HUSQVARNA repair centre.

The manufacturer is not responsible for any direct or indirect, material or immaterial, damages caused to persons or things by failure of the machine or the non operation of the machine.

3. WARRANTY CONDITIONS

To benefit the warranty, it is necessary to return the joined warranty certificate, duly completed, to HUSQVARNA within eight days of the purchase.

In case of failure of the machine during the warranty period, our after-sales services will inform you of the appropriate and most effective method of dealing with your claim and advise you if necessary of your nearest approved service centre.

As an alternative, you may return, at your cost, the machine together with a written description of the problem and damages with a copy of the invoice directly to our after sales department where upon a full investigation will be instigated without delay.

4. EXCLUSIONS

Warranty will not be applied for damages or failures caused by :

- incorrect use, error in transportation, handling or maintenance,
- use of incorrect fuel or lubricants not advised by HUSQVARNA,
- use of non-genuine parts or accessories,
- repairs made by non approved service centres,
- use of incorrect specifications of cutting tools. (We suggest the use of HUSQVARNA tools).

The goods are returned at the sole responsibility of the Buyer who must appeal against the transporter in the usual manner without delay.



www.husqvarnacp.com

115 03 64-20

2007-09-20