

K950 Chain

Reservdelar

Spare parts

Ersatzteile

Pieces de rechange

Piezas de repuesto

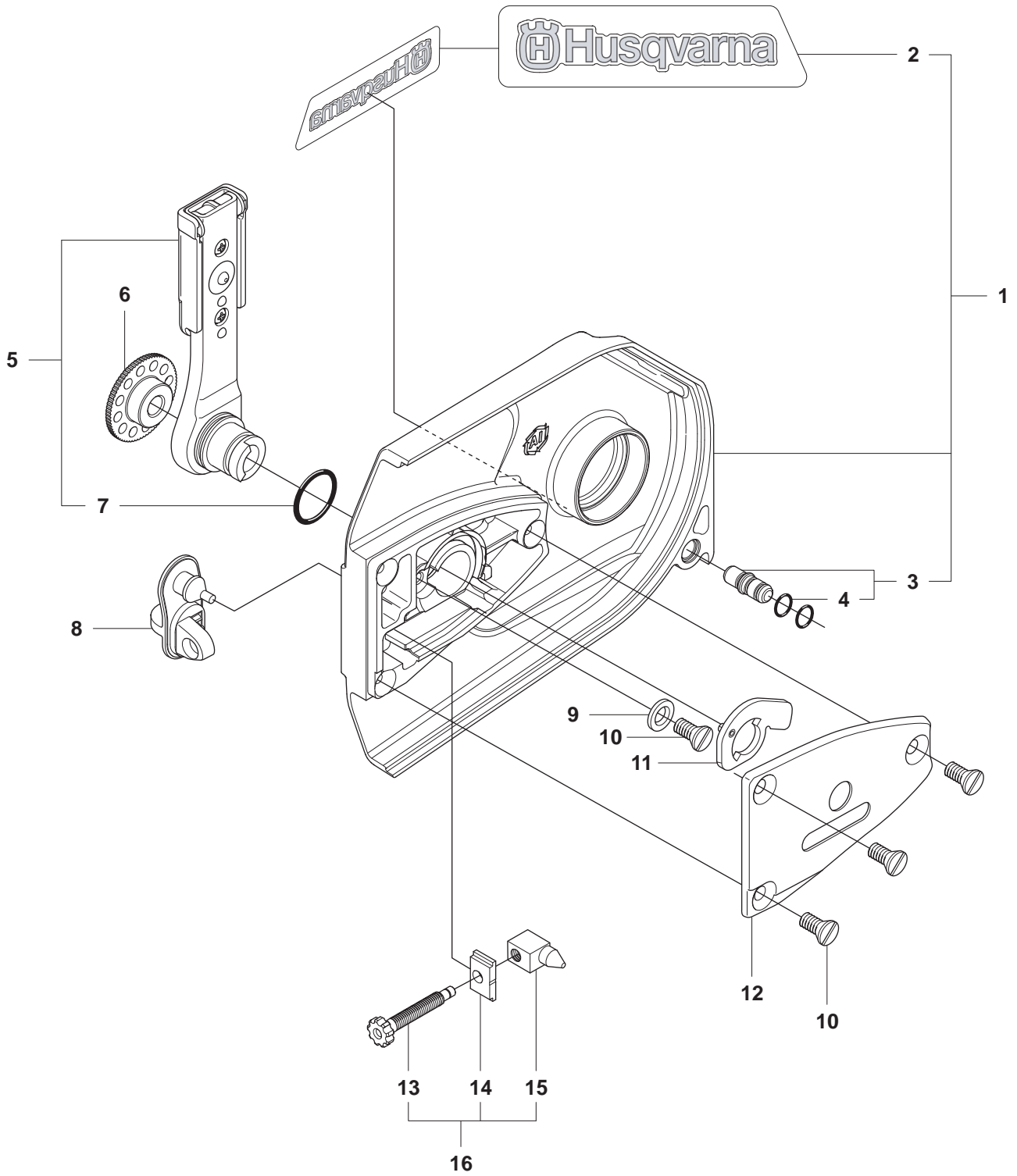
Ricambi

Peças sobresselente

No.	Pos.	Description	No.	Pos.	Description
501 22 03-01	M	WELCH PLUG(LARGE)	506 09 56-04	G	HOSE CLAMP
501 22 04-01	M	CHOKE FRICTION BALL	506 13 35-01	L	CARBURETTOR BRACKET
501 22 05-01	M	SPRING	506 15 55-06	D	CYLINDER ASSY
501 22 12-01	M	FUEL PUMP DIAPHRAM	506 15 56-02	D	PISTON ASSY
501 22 13-01	M	FUEL PUMP GASKET	506 15 82-01	CDN	CYLINDER BASE GASKET
501 22 15-01	M	SCREW	506 16 91-01	D	COOLING PLATE
501 22 20-01	M	LEVER	506 22 17-02	K	AIR FILTER COVER
501 22 21-01	M	PIN RETAINING SCREW	506 22 18-15	K	FILTER BOTTOM
501 22 25-01	M	SPRING	506 22 19-01	L	INLET PIPE
501 48 52-01	M	PIN RETAINING SCREW	506 22 22-02	H	AIR CONDUCTOR
501 48 54-02	J	SPARK PLUG CAP	506 22 27-02	F	THROTTLE TRIGGER
501 63 48-01	J	SPRING	506 22 28-02	F	THROTTLE LOCKOUT
501 67 32-03	J	PAWL	506 22 29-01	F	SPRING THROTTLE TRIG
501 69 17-02	N	COMBINATION TOOL	506 22 31-01	L	THROTTLE WIRE
501 76 83-05	F	FUEL HOSE	506 22 39-01	L	FLANGE
501 76 83-31	F	FUEL HOSE	506 22 94-01	K	AIR NOZZLE
501 81 99-01	J	SCREW	506 23 12-01	L	CHISEL GUIDE
501 82 18-01	M	"THROTTLE SH."E"RING"	506 23 19-01	K	PREFILTER
501 83 98-01	J	CABLE	506 23 20-11	L	CHOKE
502 21 58-01	N	L SPANNER	506 23 24-01	CDN	GASKET CRANKCASE
502 41 22-01	G	HOSE CLAMP	506 23 59-11	H	STARTER
503 12 79-01	H	STARTER HANDLE	506 23 61-01	F	TANK VENT
503 14 51-01	B	CLUTCH SPRING	506 23 75-01	F	VIB.INSULATOR
503 20 00-01	G	SCREW COLLAR	506 24 39-02	K	LABEL
503 20 00-02	B	SCREW COLLAR	506 25 14-01	H	RECOIL SPRING
503 20 02-16	DFKL	SCREW	506 25 30-01	H	GROMMET
503 20 02-30	K	SCREW	506 25 59-03	F	TANK CAP ASSY
503 20 02-55	L	SCREW	506 25 64-02	M	INSERT
503 20 02-70	B	SCREW	506 25 81-02	H	COMPRESSION SPRING
503 20 25-20	J	SCREW	506 25 84-01	M	DIAPHRAGM
503 20 34-42	K	SCREW	506 25 85-01	M	DIAPHRAGM
503 20 59-20	H	SCREW	506 25 88-01	M	DIAPHRAGM
503 21 05-22	FG	SCREW	506 25 89-01	H	STARTER PULLEY
503 21 05-25	G	SCREW	506 26 31-01	H	SPACING SLEEVE
503 21 27-10	G	SCREW	506 26 41-01	F	FUEL FILTER
503 21 28-06	J	SCREW	506 26 41-11	F	FUEL FILTER
503 21 28-10	H	SCREW	506 27 11-01	F	HOSE CLAMP
503 21 49-25	G	SCREW	506 27 14-01	M	MET.RETENTION SCREW
503 21 67-22	H	SCREW	506 27 23-02	H	LABEL
503 22 10-11	J	NUT	506 27 25-01	L	WEAR PROTECTION
503 22 21-02	C	NUT	506 27 27-01	J	FLYWHEEL
503 23 00-42	J	WASHER STEEL	506 27 31-01	C	BUFFER
503 23 01-01	J	WASHER STEEL	506 27 63-01	M	REPAIR PARTS KIT
503 23 04-02	D	WASHER	506 28 39-30	K	SEALING
503 23 51-08	J	SPARK PLUG	506 28 53-01	G	VIB.INSULATOR
503 25 00-02	CE	BALL BEARING	506 28 63-01	M	SPRING THROTT.RETURN
503 25 53-01	B	NEEDLE BEARING	506 28 68-01	M	FUEL PUMP COVER
503 25 61-01	DE	NEEDLE BEARING	506 28 75-02	B	CIRCLIP
503 26 02-05	CD	SEALING RING	506 28 76-01	B	RETAINING RING
503 26 02-05	N	SEALING RING	506 28 95-01	F	NIPPLE
503 26 30-21	G	O-RING	506 29 05-05	CDN	GASKET KIT
503 26 60-02	G	COUPLER	506 29 09-01	M	THROTTLE SHAFT(KIT)
503 28 04-02	LM	CARBURETTOR	506 29 10-01	M	SEALING, KIT
503 28 90-24	D	PISTON RING	506 29 11-01	M	CHOKE SHAFT (KIT)
503 40 06-07	L	IMPULSE HOSE	506 29 13-01	M	JET (KIT)
503 45 46-01	F	CONNECTION BEND	506 29 21-01	F	GASKET
503 46 85-01	F	AV-ELEMENT	506 29 57-01	G	NIPPLE
503 53 36-01	M	DIAPHRAGM COVER	506 29 88-01	G	FILTER
503 53 39-01	M	TUBE CONNECTOR	506 31 86-02	J	STOP SWITCH
503 56 00-02	L	HOSE CLAMP	506 32 76-01	C	BAR BOLT
503 57 76-02	F	FUEL HOSE	506 32 89-51	G	HOSE KIT
503 57 86-01	M	SPEED SCREW RET BALL	506 32 95-05	B	BAR BRACKET
503 57 87-01	M	IDLE SPEED SCREW	506 32 96-02	G	HANDLE
503 57 89-01	F	TANK CAP	506 33 23-01	B	PIPE
503 66 56-01	D	DECOMPRESSION VALVE	506 33 24-02	G	RUBBER BLOCK
503 67 80-01	L	SUPPORT SLEEVE	506 33 25-05	A	CLUTCH COVER
503 98 82-01	M	SCREEN	506 33 28-01	A	LOCK WASHER
505 27 75-16	J	INSULATIONG CAP	506 33 29-01	CDN	RING
505 31 65-50	M	INLET NEEDLE	506 33 32-01	A	PLATE
506 09 56-02	G	HOSE CLAMP	506 33 33-01	A	PAWL

No.	Pos.	Description	No.	Pos.	Description
506 33 34-02	A	COVER			
506 33 35-01	A	CAP			
506 33 38-01	B	CLUTCH ASSY			
506 33 42-01	B	RIM SPROCKET			
506 33 44-01	B	SUPPORT CUP			
506 33 45-01	G	BACKING PLATE			
506 33 46-01	G	SPRAY GUARD			
506 33 47-04	C	CRANKCASE			
506 33 56-15	H	STARTER CORD			
506 33 56-50	H	STARTER CORD			
506 33 72-03	H	STARTER COVER			
506 33 91-71	E	CRANKSHAFT ASSY			
506 34 04-02	G	HAND GUARD			
506 34 09-11	B	GEAR WHEEL			
506 34 10-04	A	LEVER			
506 34 62-02	N	BAR			
506 34 70-02	K	AIR FILTER			
506 34 72-01	A	LEVER			
506 35 25-01	G	HOSE			
506 35 44-02	B	WEAR PROTECTION			
506 35 94-03	A	SCREW CPL			
506 36 52-01	L	INLET BEND			
506 37 28-02	D	MUFFLER			
506 37 81-01	CDN	GASKET MUFFLER			
506 38 77-01	A	SCREW			
506 38 78-34	J	IGNITION CABLE			
506 39 88-01	A	ADJUSTING NUT			
506 39 96-02	B	SHIELD			
506 40 13-01	B	BUSHING			
544 01 88-01	J	IGNITION SYSTEM			
544 05 77-01	A	GUIDE PIN			
544 38 31-01	F	SPRING			
544 87 23-01	A	LABEL			
544 87 44-01	K	LABEL			
544 87 44-02	K	LABEL			
544 87 44-03	K	LABEL			
544 87 46-01	K	LABEL			
544 89 07-05	K	LABEL			
544 89 14-03	K	CYLINDER COVER ASSY			
544 89 20-07	F	FUEL TANK			
720 12 40-20	F	PARALLEL PIN			
720 13 07-10	BC	PIN			
723 53 27-51	A	SCREW			
725 53 40-55	C	SCREW			
725 53 72-55	D	SCREW			
725 54 50-01	C	SCREW			
725 64 53-01	B	SCREW			
737 44 13-00	D	CIRCLIP			
740 42 04-00	A	O-RING			
740 43 13-00	H	O-RING			
740 44 07-00	B	O-RING			
740 48 18-02	A	O-RING			
740 48 20-03	K	O-RING			

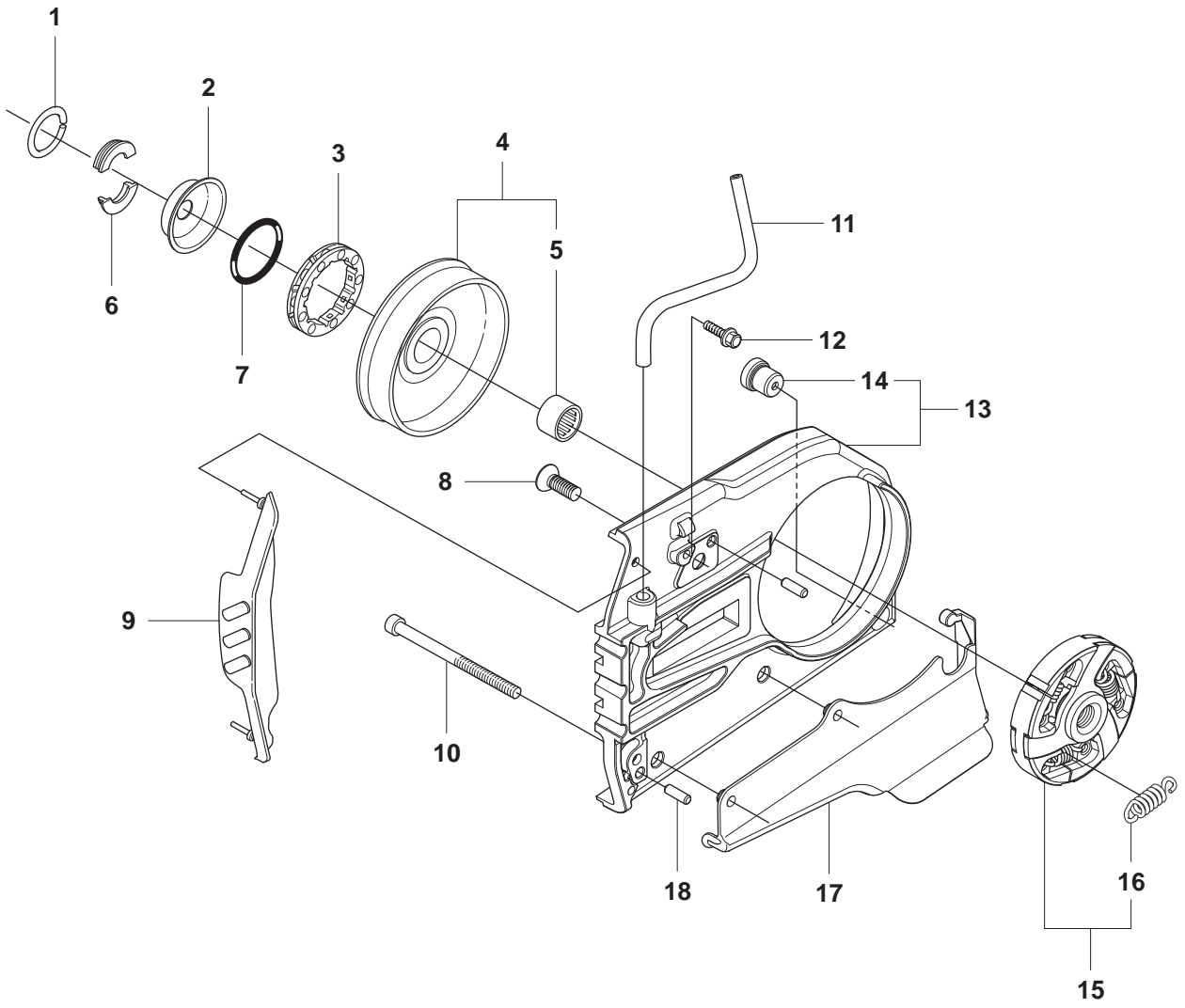
A K950 CHAIN



Page A
K950 Chain

Pos.	Part No.	Description	Quantity	Notes
1	506 33 25-05	CLUTCH COVER	1	Incl. 2, 3
2	544 87 23-01	LABEL	1	
3	544 05 77-01	GUIDE PIN	1	Incl. 4
4	740 42 04-00	O-RING	2	
5	506 34 10-04	LEVER	1	Incl. 7
6	506 39 88-01	ADJUSTING NUT	1	
7	740 48 18-02	O-RING	1	
8	506 33 34-02	COVER	1	
9	506 33 28-01	LOCK WASHER	1	
10	723 53 27-51	SCREW	3	
11	506 34 72-01	LEVER	1	
12	506 33 35-01	CAP	1	
13	506 38 77-01	SCREW	1	
14	506 33 32-01	PLATE	1	
15	506 33 33-01	PAWL	1	
16	506 35 94-03	SCREW CPL	1	Incl. 13, 14, 15

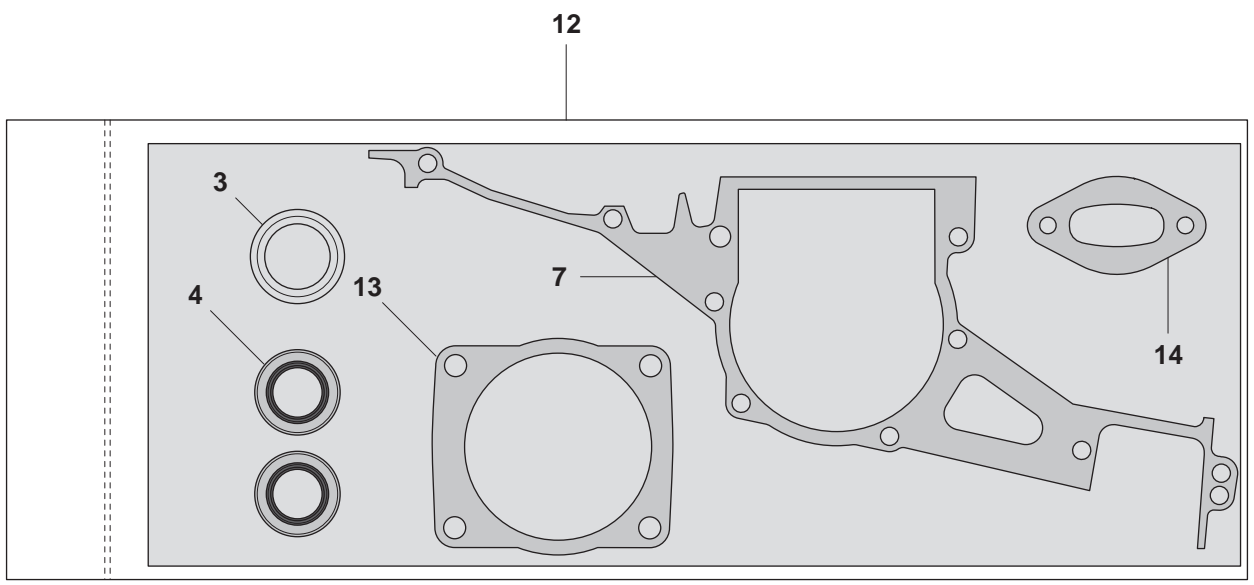
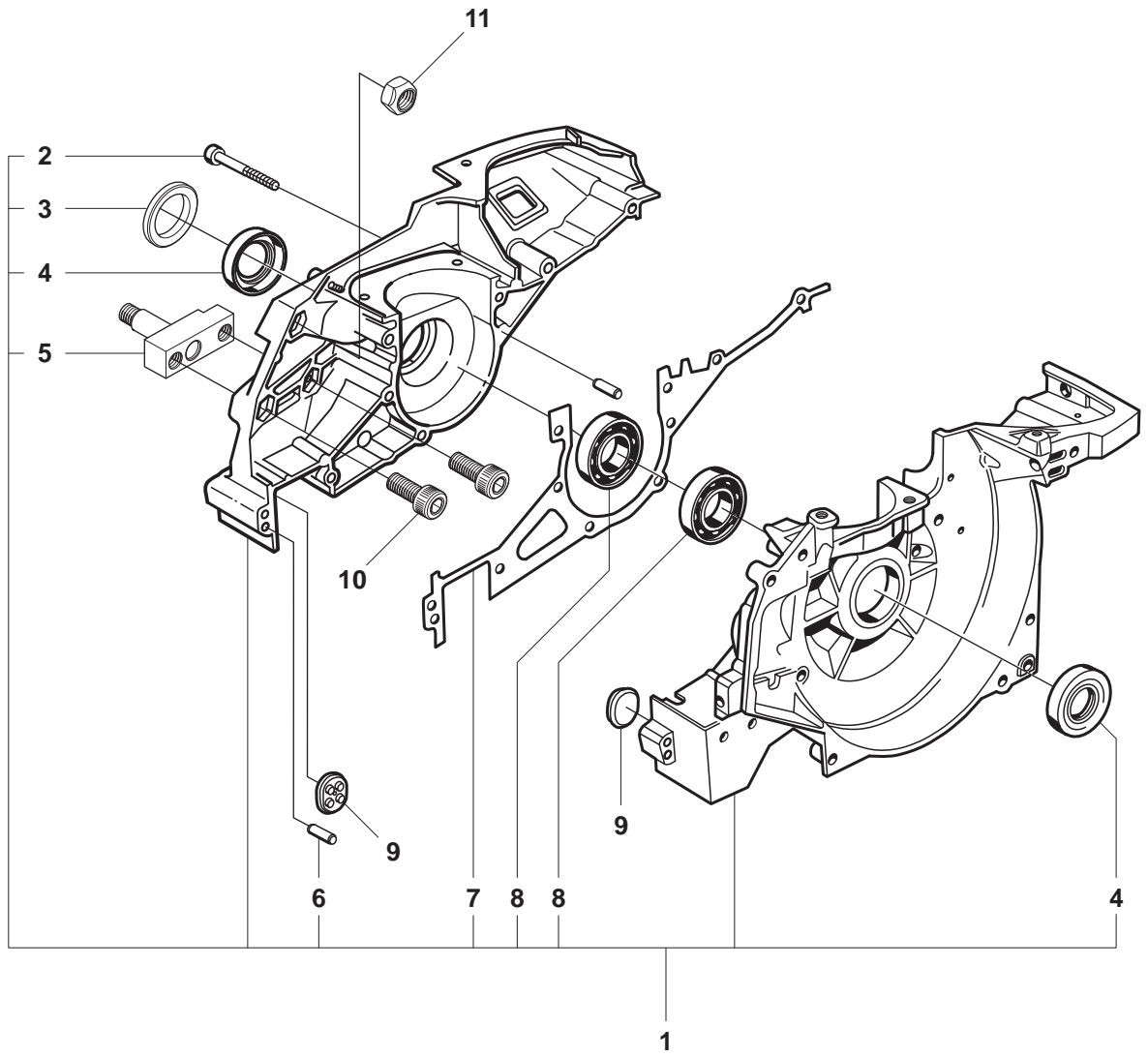
B K950 CHAIN



Page B
K950 Chain

Pos.	Part No.	Description	Quantity	Notes
1	506 28 76-01	RETAINING RING	1	
2	506 33 44-01	SUPPORT CUP	1	
3	506 33 42-01	RIM SPROCKET	1	
4	506 34 09-11	GEAR WHEEL	1	Incl. 5
5	503 25 53-01	NEEDLE BEARING	1	
6	506 28 75-02	CIRCLIP	2	
7	740 44 07-00	O-RING	1	
8	725 64 53-01	SCREW	1	
9	506 35 44-02	WEAR PROTECTION	1	
10	503 20 02-70	SCREW	1	
11	506 33 23-01	PIPE	1	
12	503 20 00-02	SCREW COLLAR	1	
13	506 32 95-05	BAR BRACKET	1	Incl. 14
14	506 40 13-01	BUSHING	1	
15	506 33 38-01	CLUTCH ASSY	1	Incl. 16
16	503 14 51-01	CLUTCH SPRING	3	
17	506 39 96-02	SHIELD	1	
18	720 13 07-10	PIN	2	

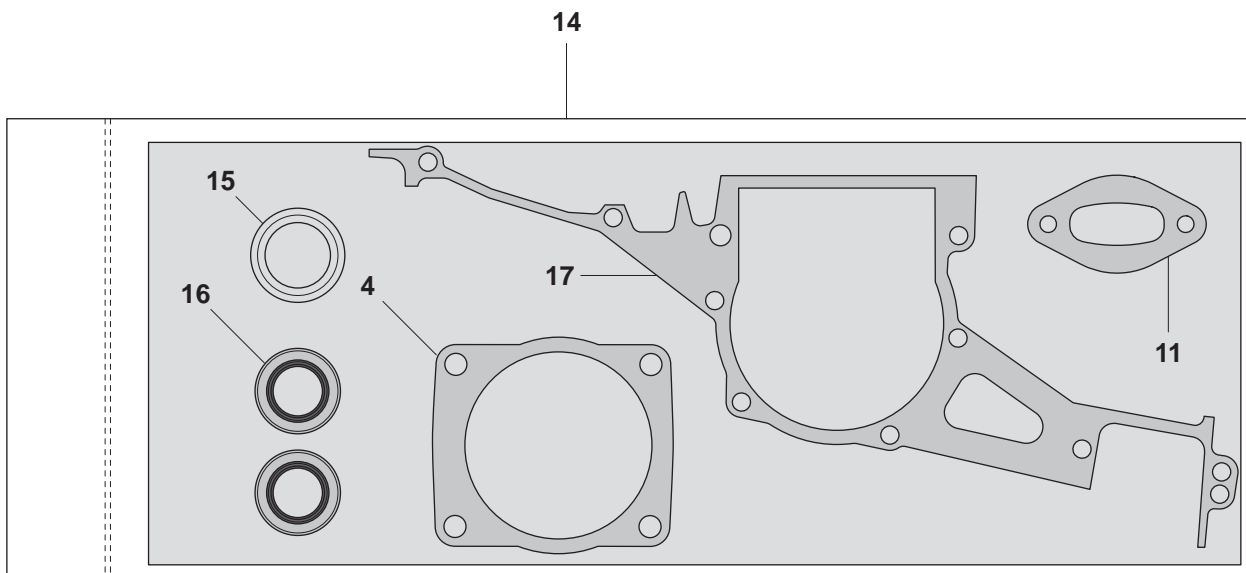
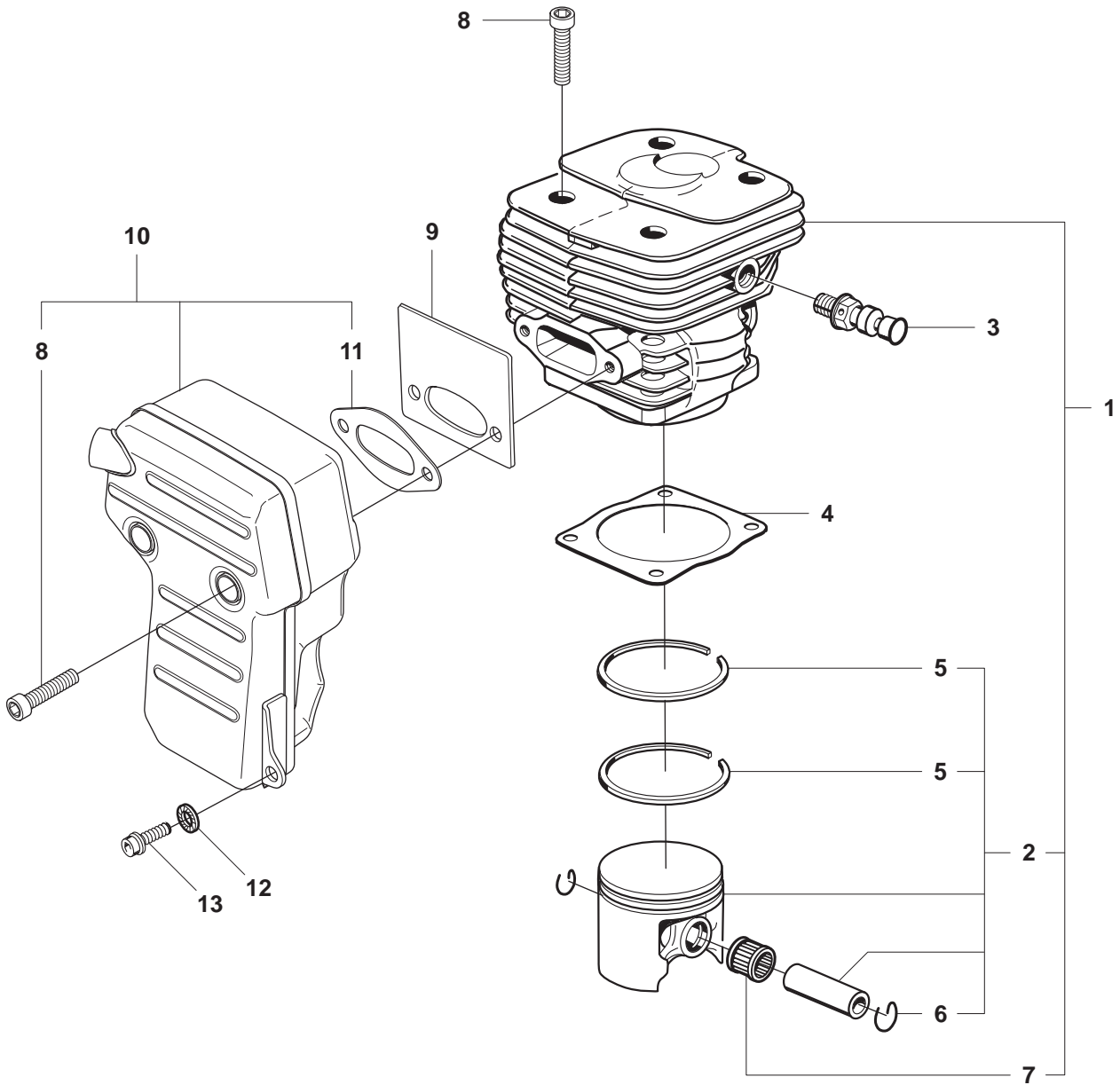
C K950 CHAIN



Page C
K950 Chain

Pos.	Part No.	Description	Quantity	Notes
1	506 33 47-04	CRANKCASE	1	Incl. 2-9
2	725 53 40-55	SCREW	7	
3	506 33 29-01	RING	1	
4	503 26 02-05	SEALING RING	2	Gasket kit 12
5	506 32 76-01	BAR BOLT	1	
6	720 13 07-10	PIN	2	
7	506 23 24-01	GASKET CRANKCASE	1	Gasket kit 12
8	503 25 00-02	BALL BEARING	2	
9	506 27 31-01	BUFFER	2	
10	725 54 50-01	SCREW	2	
11	503 22 21-02	NUT	1	
12	506 29 05-05	GASKET KIT	1	
13	506 15 82-01	CYLINDER BASE GASKET	1	
14	506 37 81-01	GASKET MUFFLER	1	

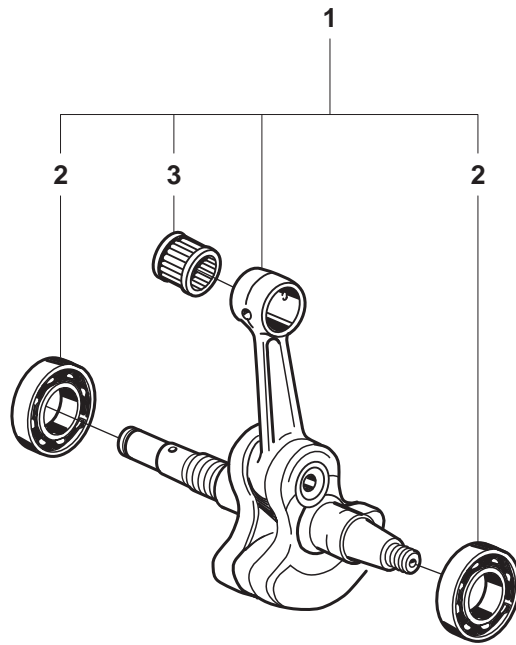
D K950 CHAIN



Page D
K950 Chain

Pos.	Part No.	Description	Quantity	Notes
1	506 15 55-06	CYLINDER ASSY	1	Incl. 2, 7
2	506 15 56-02	PISTON ASSY	1	Incl. 5, 6
3	503 66 56-01	DECOMPRESSION VALVE	1	
4	506 15 82-01	CYLINDER BASE GASKET	1	Gasket kit 14
5	503 28 90-24	PISTON RING	2	
6	737 44 13-00	CIRCLIP	2	
7	503 25 61-01	NEEDLE BEARING	1	
8	725 53 72-55	SCREW	6	
9	506 16 91-01	COOLING PLATE	1	
10	506 37 28-02	MUFFLER	1	Incl. 8, 12
11	506 37 81-01	GASKET MUFFLER	1	Gasket kit 14
12	503 23 04-02	WASHER	1	
13	503 20 02-16	SCREW	1	
14	506 29 05-05	GASKET KIT	1	
15	506 33 29-01	RING	1	
16	503 26 02-05	SEALING RING	2	
17	506 23 24-01	GASKET	1	

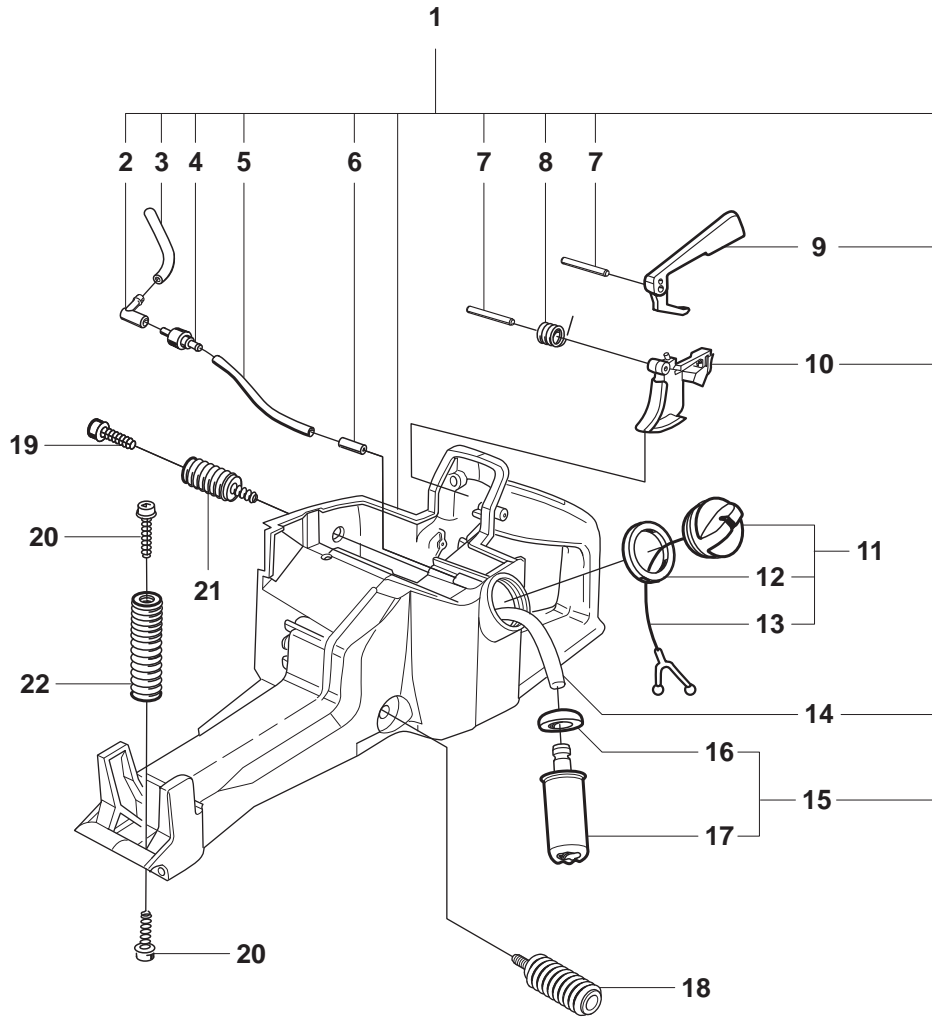
E K950 CHAIN



Page E
K950 Chain

Pos.	Part No.	Description	Quantity	Notes
1	506 33 91-71	CRANKSHAFT ASSY	1	Incl. 2, 3
2	503 25 00-02	BALL BEARING	2	
3	503 25 61-01	NEEDLE BEARING	1	

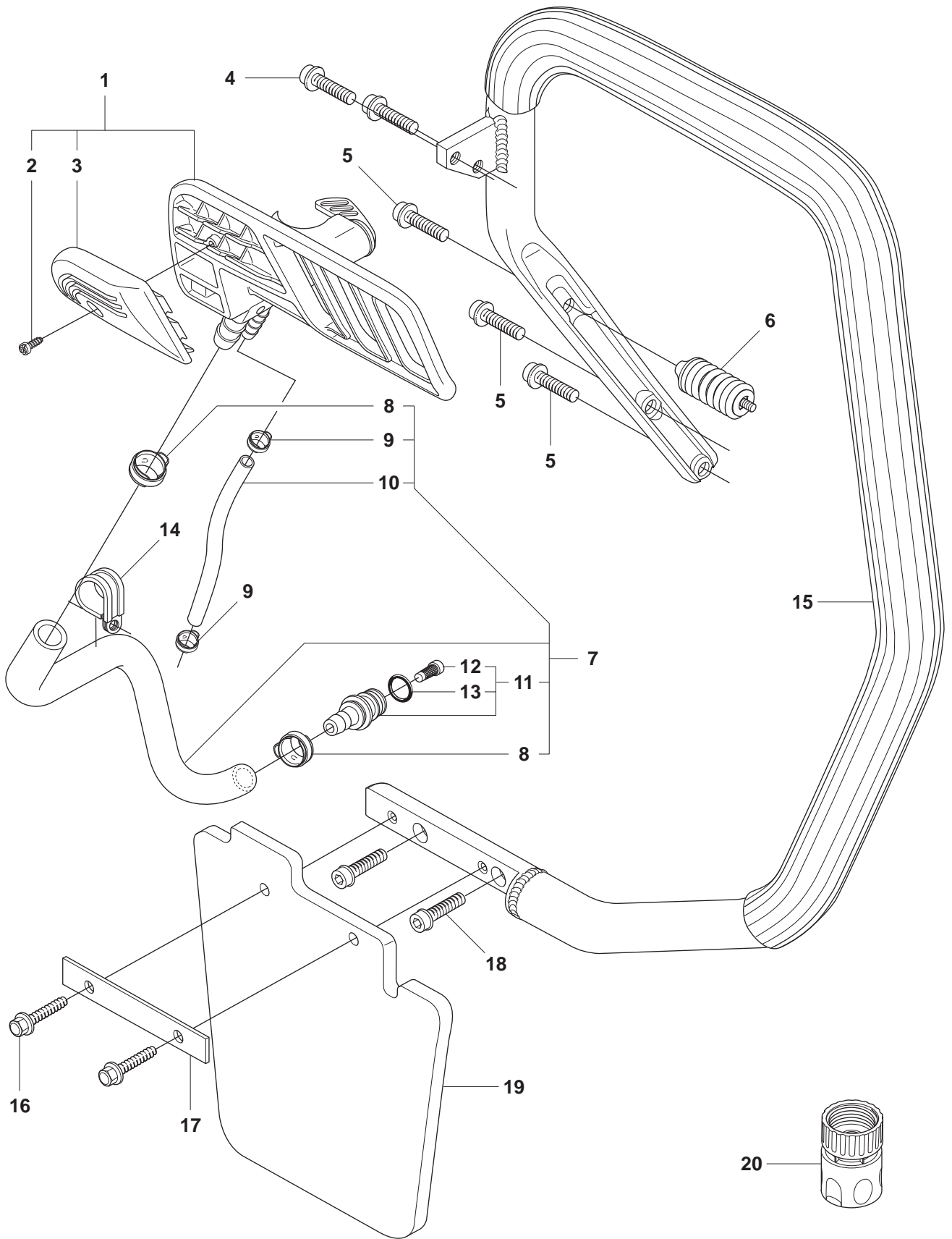
F K950 CHAIN



Page F
K950 Chain

Pos.	Part No.	Description	Quantity	Notes
1	544 89 20-07	FUEL TANK	1	Incl. 2 - 11, 14, 15
2	503 45 46-01	CONNECTION BEND	1	
3	501 76 83-05	FUEL HOSE	1	
4	506 23 61-01	TANK VENT	1	
5	501 76 83-31	FUEL HOSE	1	
6	506 28 95-01	NIPPLE	1	
7	720 12 40-20	PARALLEL PIN	2	
8	506 22 29-01	SPRING THROTTLE TRIG	1	
9	506 22 28-02	THROTTLE LOCKOUT	1	
10	506 22 27-02	THROTTLE TRIGGER	1	
11	506 25 59-03	TANK CAP ASSY	1	Incl. 12, 13
12	506 29 21-01	GASKET	1	
13	503 57 89-01	TANK CAP	1	
14	503 57 76-02	FUEL HOSE	1	
15	506 26 41-11	FUEL FILTER	1	Incl. 16, 17
16	506 27 11-01	HOSE CLAMP	1	
17	506 26 41-01	FUEL FILTER	1	
18	544 38 31-01	SPRING	1	
19	503 21 05-22	SCREW	1	
20	503 20 02-16	SCREW	2	
21	506 23 75-01	VIB.INSULATOR	1	
22	503 46 85-01	AV-ELEMENT	1	

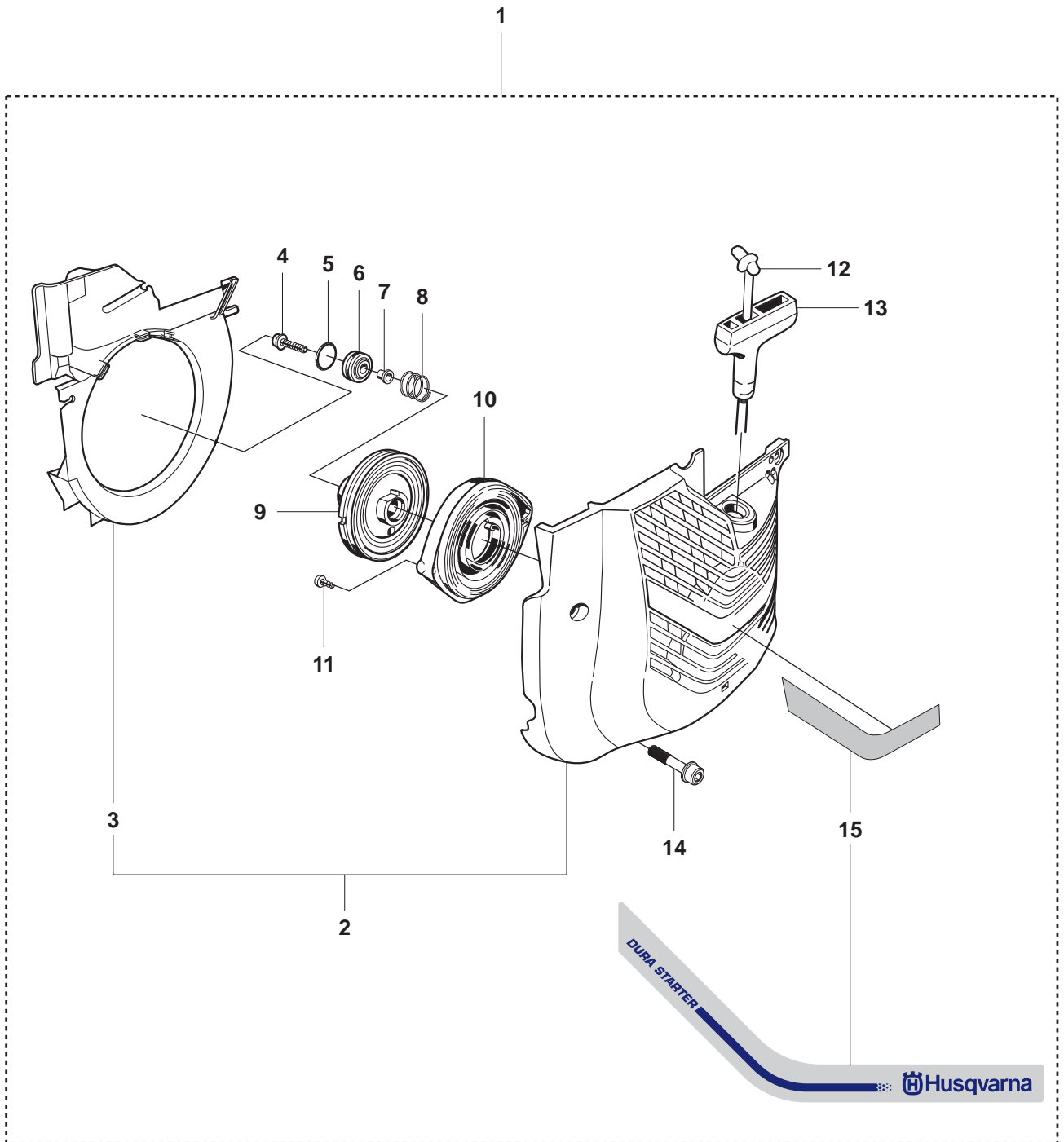
G K950 CHAIN



Page G
K950 Chain

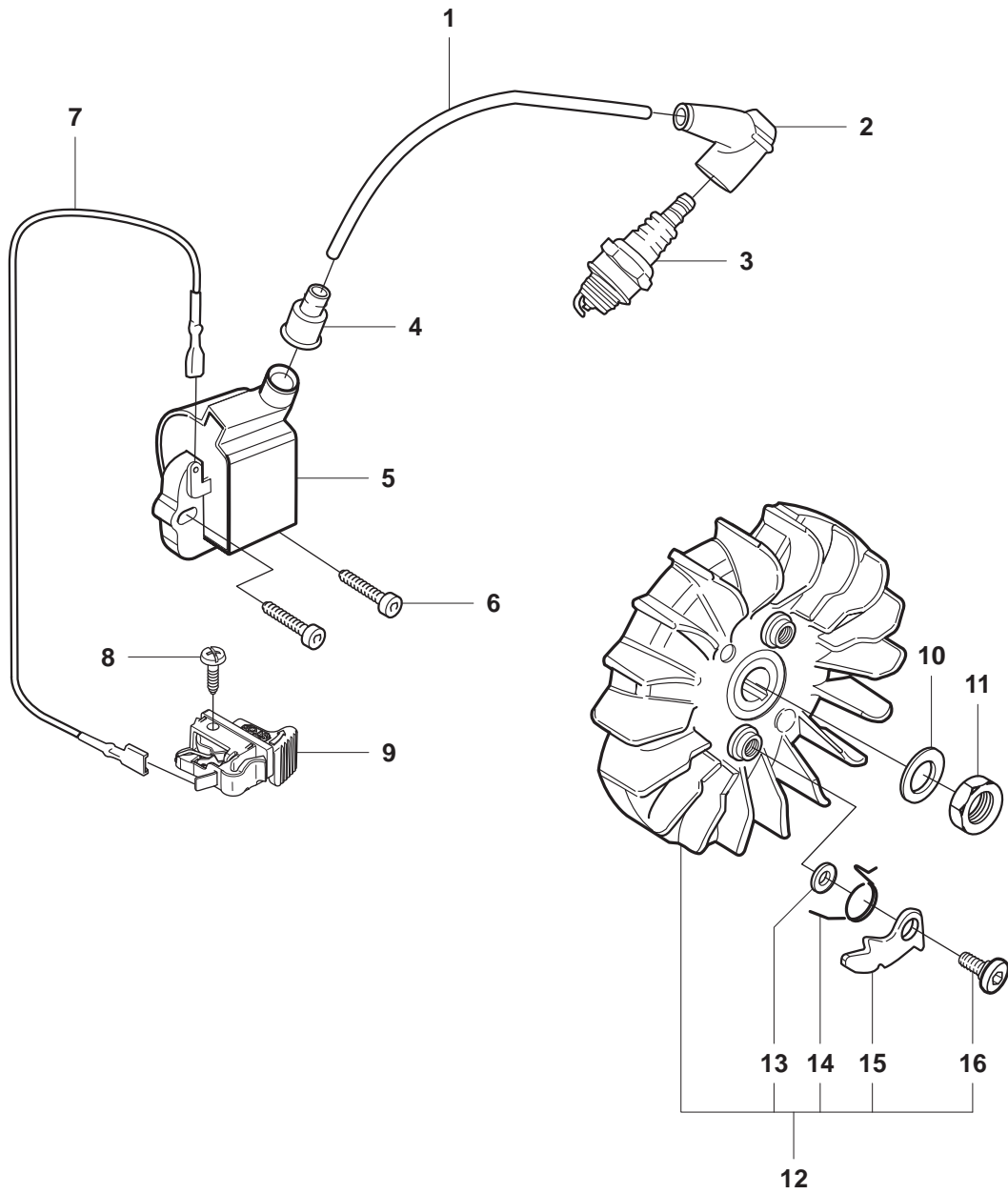
Pos.	Part No.	Description	Quantity	Notes
1	506 34 04-02	HAND GUARD	1	Incl. 2-3
2	503 21 27-10	SCREW	1	
3	506 33 24-02	RUBBER BLOCK	1	
4	503 21 49-25	SCREW	2	
5	503 21 05-22	SCREW	2	
6	506 28 53-01	VIB.INSULATOR	1	
7	506 32 89-51	HOSE KIT	1	Incl. 8, 9, 10, 11, 14
8	506 09 56-02	HOSE CLAMP	1	
9	506 09 56-04	HOSE CLAMP	2	
10	506 35 25-01	HOSE	1	
11	506 29 57-01	NIPPLE	1	Incl. 12, 13
12	506 29 88-01	FILTER	1	
13	503 26 30-21	O-RING	1	
14	502 41 22-01	HOSE CLAMP	1	
15	506 32 96-02	HANDLE	1	
16	503 20 00-01	SCREW COLLAR	2	
17	506 33 45-01	BACKING PLATE	1	
18	503 21 05-25	SCREW	2	
19	506 33 46-01	SPRAY GUARD	1	
20	503 26 60-02	COUPLER	1	

H K950 CHAIN



Page H
K950 Chain

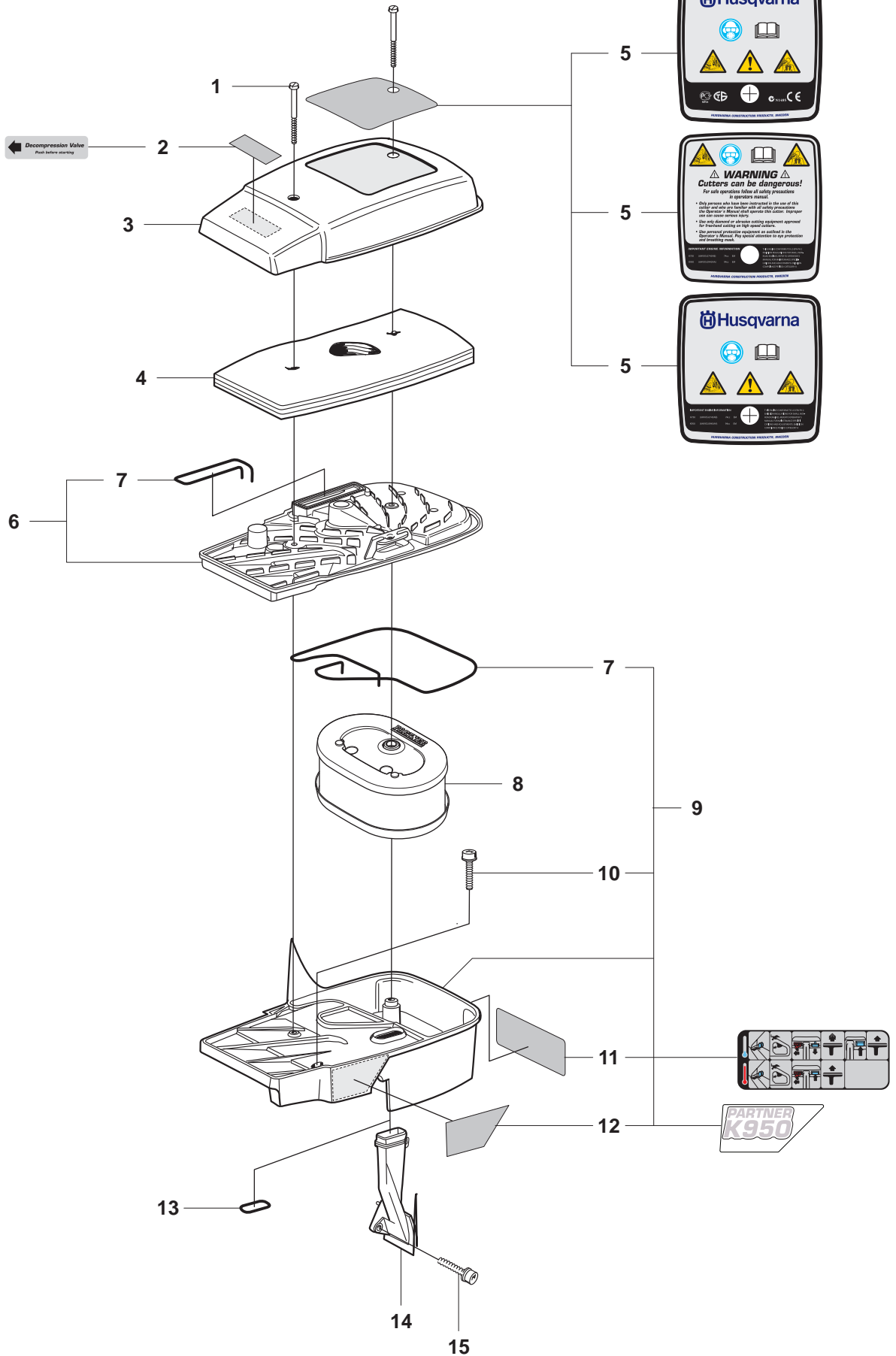
Pos.	Part No.	Description	Quantity	Notes
1	506 23 59-11	STARTER	1	Incl. 2 - 15
2	506 33 72-03	STARTER COVER	1	Incl. 3
3	506 22 22-02	AIR CONDUCTOR	1	
4	503 21 67-22	SCREW	1	
5	740 43 13-00	O-RING	1	
6	506 25 14-01	RECOIL SPRING	1	
7	506 26 31-01	SPACING SLEEVE	1	
8	506 25 30-01	GROMMET	1	
9	506 25 81-02	COMPRESSION SPRING	1	
10	506 25 89-01	STARTER PULLEY	1	
11	503 21 28-10	SCREW	2	
12	506 33 56-15	STARTER CORD	1	
12	506 33 56-50	STARTER CORD	1	50 m. coil
13	503 12 79-01	STARTER HANDLE	1	
14	503 20 59-20	SCREW	4	
15	506 27 23-02	LABEL	1	

J**K950 CHAIN**

Page J
K950 Chain

Pos.	Part No.	Description	Quantity	Notes
1	506 38 78-34	IGNITION CABLE	1	
2	501 48 54-02	SPARK PLUG CAP	1	
3	503 23 51-08	SPARK PLUG	1	RCJ 7Y
4	505 27 75-16	INSULATIONG CAP	1	
5	544 01 88-01	IGNITION SYSTEM	1	
6	503 20 25-20	SCREW	2	
7	501 83 98-01	CABLE	1	
8	503 21 28-06	SCREW	1	
9	506 31 86-02	STOP SWITCH	1	
10	503 23 01-01	WASHER STEEL	1	
11	503 22 10-11	NUT	1	
12	506 27 27-01	FLYWHEEL	1	Incl. 13, 14, 15, 16
13	503 23 00-42	WASHER STEEL	2	
14	501 63 48-01	SPRING	2	
15	501 67 32-03	PAWL	2	
16	501 81 99-01	SCREW	2	

K K950 CHAIN

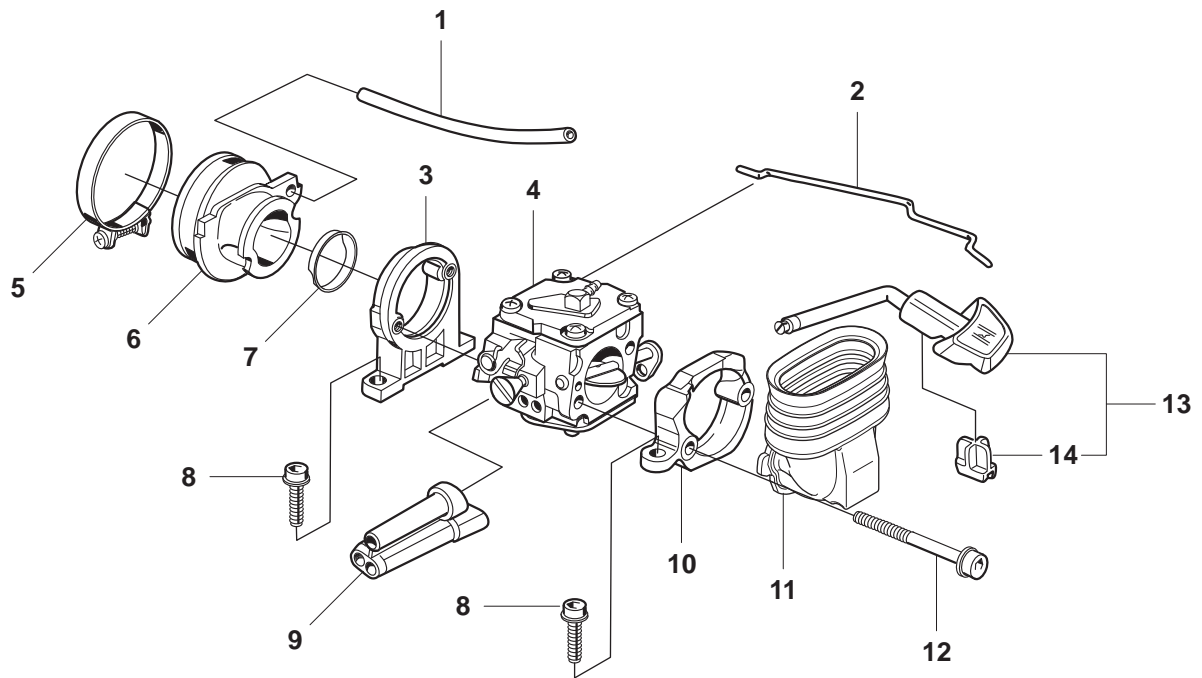


Page K
K950 Chain

Pos.	Part No.	Description	Quantity	Notes
1	503 20 34-42	SCREW	2	
2	544 87 46-01	LABEL	1	
3	506 22 17-02	AIR FILTER COVER	1	
4	506 23 19-01	PREFILTER	1	
5	544 87 44-01	LABEL	1	EPA USA
5	544 87 44-02	LABEL	1	CE
5	544 87 44-03	LABEL	1	EPA Canada
6	506 22 18-15	FILTER BOTTOM	1	Incl. 7
7	506 28 39-30	SEALING	2	
8	506 34 70-02	AIR FILTER	1	
9	544 89 14-03	CYLINDER COVER ASSY	1	Incl. 7, 10, 11, 12
10	503 20 02-30	SCREW	3	
11	506 24 39-02	LABEL	1	
12	544 89 07-05	LABEL	1	
13	740 48 20-03	O-RING	1	
14	506 22 94-01	AIR NOZZLE	1	
15	503 20 02-16	SCREW	1	



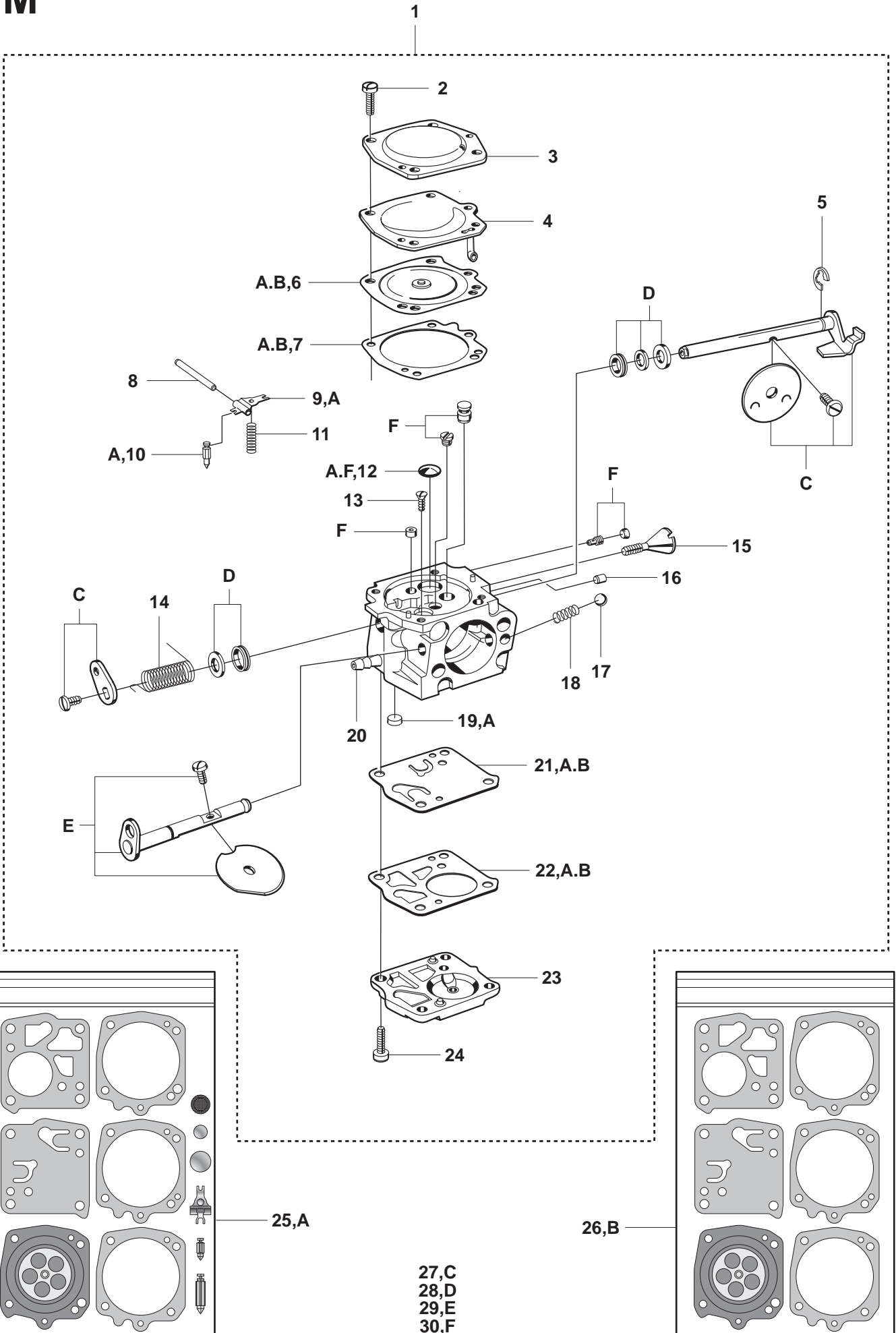
K950 CHAIN



Page L
K950 Chain

Pos.	Part No.	Description	Quantity	Notes
1	503 40 06-07	IMPULSE HOSE	1	
2	506 22 31-01	THROTTLE WIRE	1	
3	506 13 35-01	CARBURETTOR BRACKET	1	
4	503 28 04-02	CARBURETTOR	1	HS 282-A
5	503 56 00-02	HOSE CLAMP	1	
6	506 22 19-01	INLET PIPE	1	
7	503 67 80-01	SUPPORT SLEEVE	1	
8	503 20 02-16	SCREW	2	
9	506 23 12-01	CHISEL GUIDE	1	
10	506 22 39-01	FLANGE	1	
11	506 36 52-01	INLET BEND	1	
12	503 20 02-55	SCREW	2	
13	506 23 20-11	CHOKE	1	Incl. 14
14	506 27 25-01	WEAR PROTECTION	1	

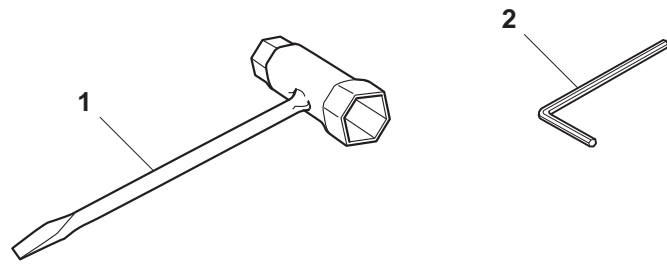
M K950 CHAIN



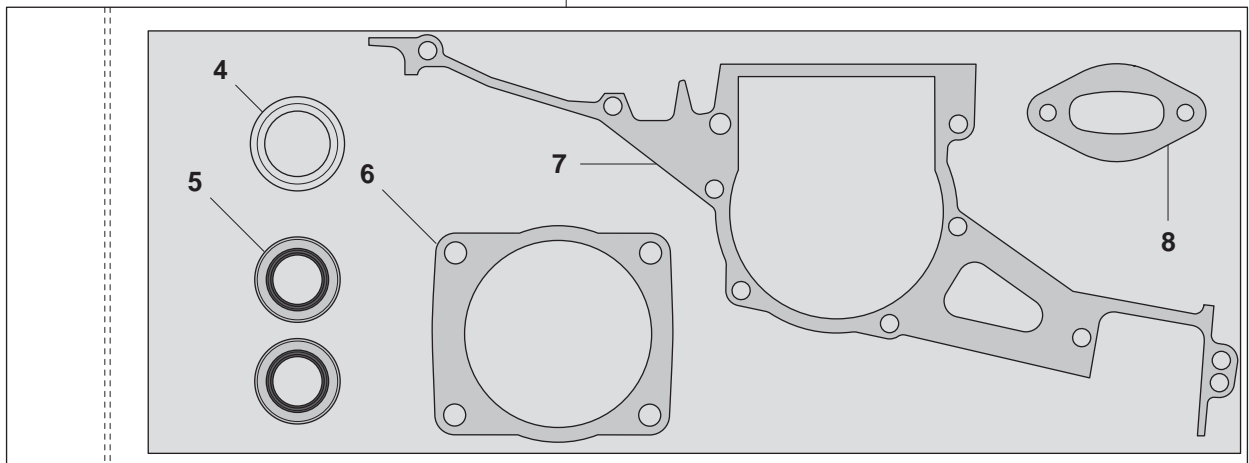
Page M
K950 Chain

Pos.	Part No.	Description	Quantity	Notes
1	503 28 04-02	CARBURETTOR	1	Incl. 2-24
2	506 27 14-01	MET.RETENTION SCREW	4	
3	503 53 36-01	DIAPHRAGM COVER	1	
4	506 25 64-02	INSERT	1	
5	501 82 18-01	THROTTLE SH."E"RING	1	
6	506 25 85-01	DIAPHRAGM	1	A, B
7	506 25 84-01	DIAPHRAGM	1	A, B
8	501 22 21-01	PIN RETAINING SCREW	1	
9	501 22 20-01	LEVER	1	A
10	505 31 65-50	INLET NEEDLE	1	
11	501 22 25-01	SPRING	1	A
12	501 22 03-01	WELCH PLUG(LARGE)	1	A, F
13	501 48 52-01	PIN RETAINING SCREW	1	
14	506 28 63-01	SPRING THROTT.RETURN	1	
15	503 57 87-01	IDLE SPEED SCREW	1	
16	503 57 86-01	SPEED SCREW RET BALL	1	
17	501 22 04-01	CHOKE FRICTION BALL	1	
18	501 22 05-01	SPRING	1	
19	503 98 82-01	SCREEN	1	
20	503 53 39-01	TUBE CONNECTOR	1	A
21	501 22 12-01	FUEL PUMP DIAPHRAM	1	A, B
22	501 22 13-01	FUEL PUMP GASKET	1	A, B
23	506 28 68-01	FUEL PUMP COVER	1	
24	501 22 15-01	SCREW	4	
25	506 27 63-01	REPAIR PARTS KIT	1	Incl. 6, 7, 9, 11, 12, 20, 21, 22
26	506 25 88-01	DIAPHRAGM	1	Incl. 6, 7, 21, 22
27	506 29 09-01	THROTTLE SHAFT(KIT)	1	Kit C
28	506 29 10-01	SEALING, KIT	1	Kit D
29	506 29 11-01	CHOKE SHAFT (KIT)	1	Kit E
30	506 29 13-01	JET (KIT)	1	Kit F

N K950 CHAIN
Accessories
Zubehöre
Accessoires
Acessorios
Tillbehör



3



Page N
K950 Chain

Pos.	Part No.	Description	Quantity	Notes
1	501 69 17-02	COMBINATION TOOL	1	13-19
2	502 21 58-01	L SPANNER	1	4 11
3	506 29 05-05	GASKET KIT	1	Incl. 4, 5, 6, 7, 8
4	506 33 29-01	RING	1	
5	503 26 02-05	SEALING RING	2	
6	506 15 82-01	CYLINDER BASE GASKET	1	
7	506 23 24-01	GASKET	1	
8	506 37 81-01	GASKET MUFFLER	1	
9	506 34 62-02	BAR	1	