

PP 2525 D

PP 3030 D

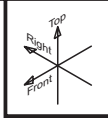
Spare parts

Pieces de rechange

Piezas de repuesto

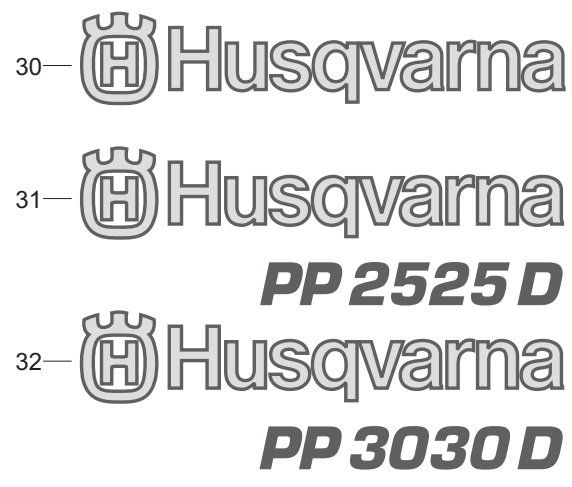
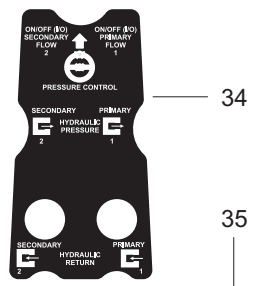
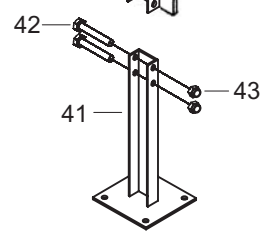
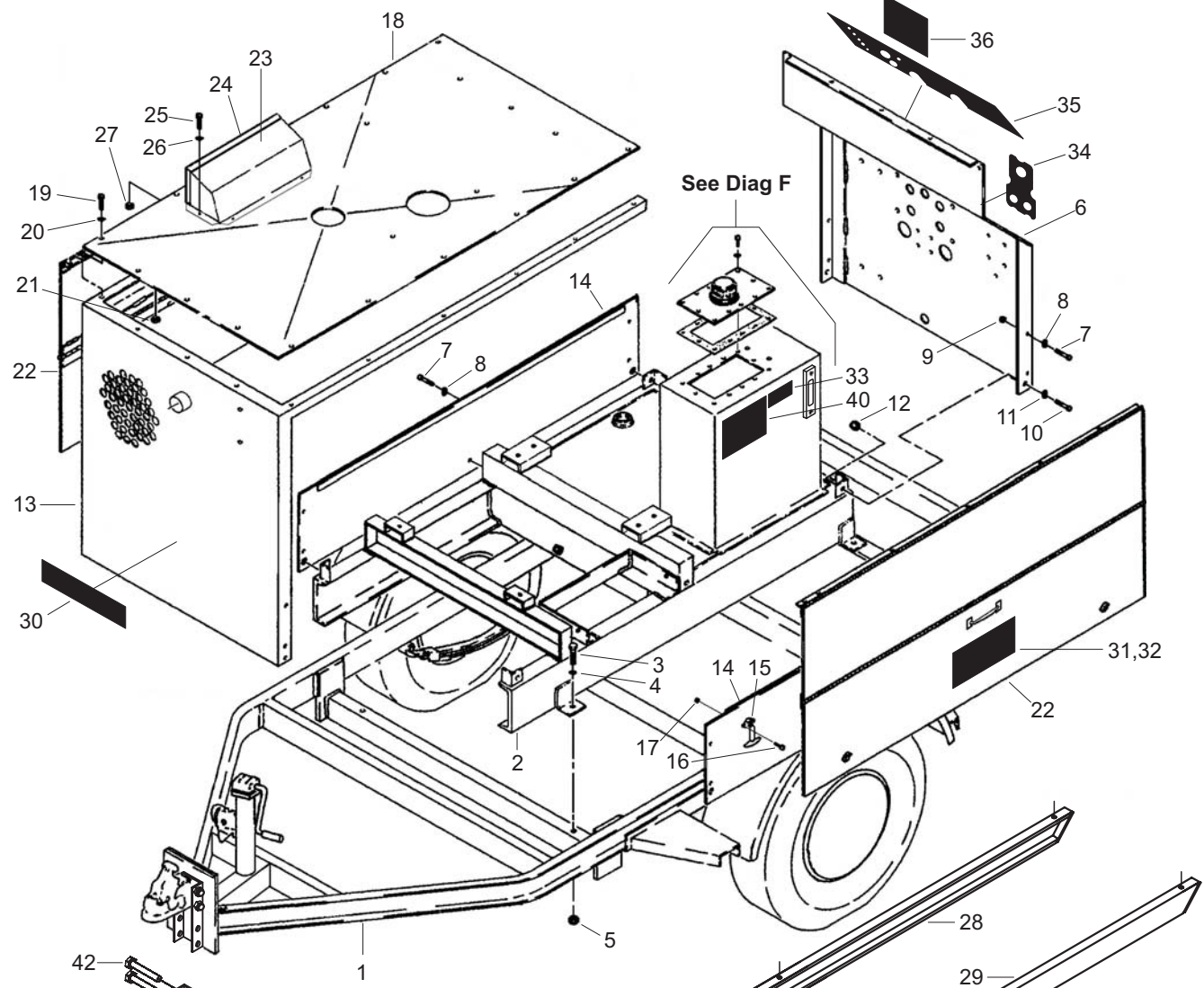






06.18.07

# A Frame, Enclosure, Trailer or Skid Mounted



**TO START ENGINE**  
Let throttle 1/2 cc turn. Depress key switch and turn to start. Hold relay button in for a few seconds after engine has started until oil pressure builds up. Gradually increase RPM to full speed while warming engine. Reduce RPM to idle - cool down engine. Turn off key switch.

**TO STOP ENGINE**  
Reduce RPM to idle - cool down engine. Turn off key switch.

**HYDRAULIC SYSTEM OPERATION**  
After normal use, connect hoses to tank. Determine fuel is in "off" mode. Start engine and set speed to full RPM. Open flow control. Turn "on" cutoff valve by rotating 20 turns (do not force). Turn "on" remote control. Operate tool. Use hydraulic oil cooler if air temperature exceeds 50°C.

**FLOW ADJUSTMENT**  
Set flow control to set to GPM setting required by tool before operating tool. When using dual circuits, each circuit cannot exceed 12 GPM.

**PRESSURE ADJUSTMENT**  
With hoses disconnected from tool, turn "off" remote control and start engine. Turn pressure control 1/2 CCW (do not force). Turn "on" remote control. Turn pressure control CW until desired pressure is reached and back with locking ring. Turn "off" remote control, connect hoses to tool. Turn "on" remote control and proceed with operation.

**MAINTENANCE**  
See engine service manual for engine maintenance. Oil reservoir should be checked daily, a proper level is vital to proper tool use. Check oil level. Change hydraulic oil after the first 50 hours and every 100 hours thereafter (or after nearly direct tool use or gauge with oil warning) and system capacity at 100 hours.

**WARNING**

- Read and understand the entire operator's manual before using this machine.
- Do NOT have an open flame. Oil will flow 1/4" (6.35mm).
- Warning Hazard - Do not touch all parts in flow.
- Always keep all parts of body away from moving parts.
- Always use oil in well ventilated areas.
- DO NOT operate near combustible materials.
- Always wear approved equipment.

SECONDARY FLOW CONTROL

PRIMARY FLOW CONTROL

ENGINE SPEED

HYDRAULIC PRESSURE

ENGINE OIL TEMPERATURE

ENGINE OIL PRESSURE

ALTERNATOR

ENGINE START SWITCH

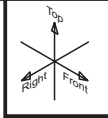
PUSH INWARD AND HOLD TO START ENGINE

**A****Frame, Enclosure, Trailer or Skid Mounted  
Parts List**

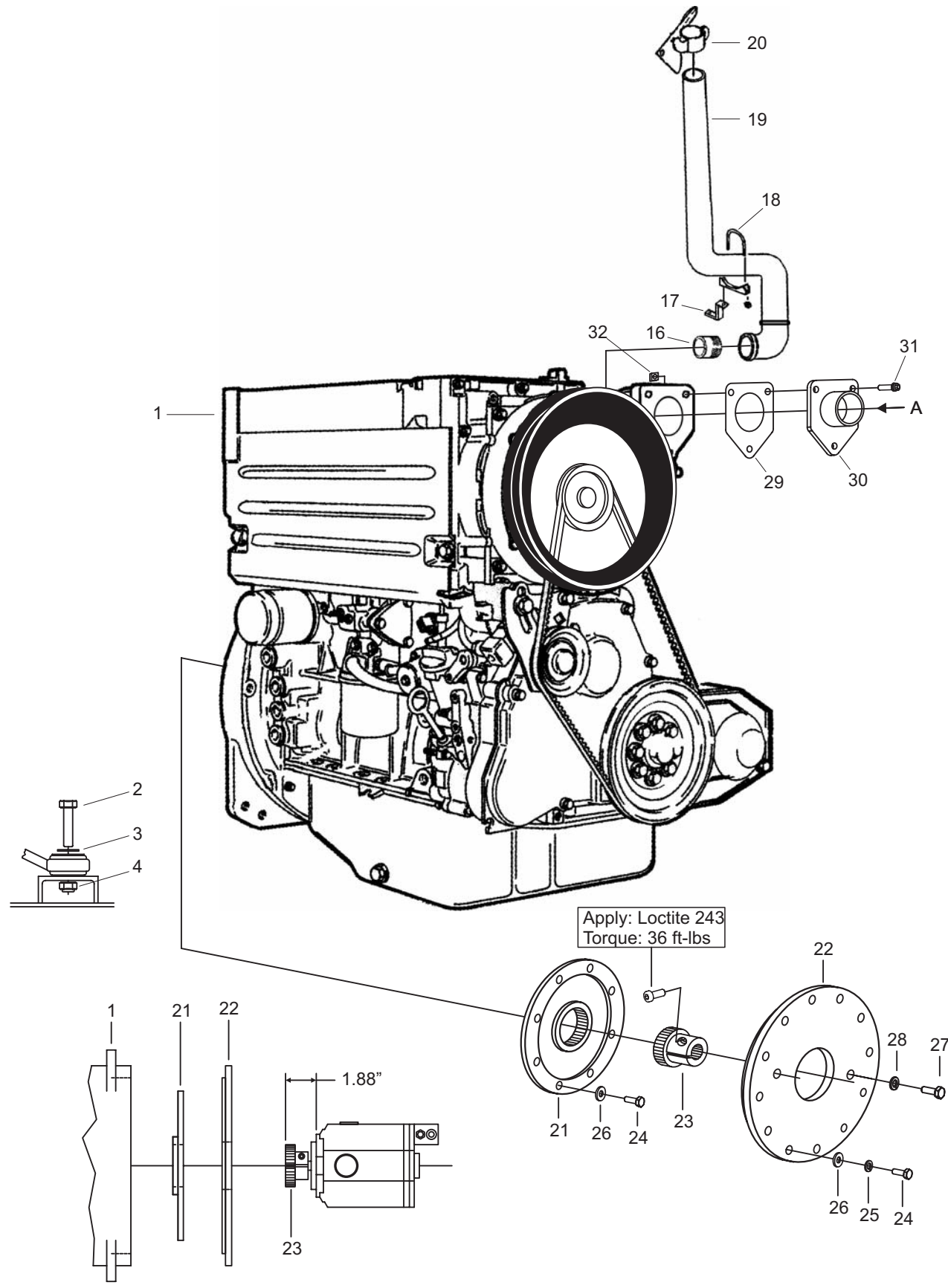
06.18.07

Pos.	Part No.	Description	Qty.	Notes
1	501370204	Trailer, PP2525/3030 Husq Gray	1	See Note Pos. 28-29
2	542205409	Frame/Reservoir, Husq Orange	1	
3	539300037	Capscrew, Hex Hd, .50-13 x 1.25	4	Also used for 28-29
4	539990250	Washer, Flat 1/2" SAE	4	Also used for 28-29
5	539101331	Locknut, 1/2-13, Fiber	4	Also used for 28-29
6	542205404	Panel Instrument PP2525/3030, Husq Gray	1	
7	539990563	Capscrew, Hex Hd, .375-16 x 1"	10	
8	539990517	Washer, Flat 3/8"	10	
9	539976979	Locknut, .375-16, Fiber	10	
10	539990563	Capscrew, Hex Hd, .375-16 x 1"	4	
11	539990517	Washer, Flat 3/8"	4	
12	539976979	Locknut, .375-16, Fiber	4	
13	542205407	Frame, Encl PP2525/3030, Husq Orange	1	
14	542205405	Panel, Lower Side, Husq Orange	2	
15	541205268	Hold Down, Lower Side Panel	4	
16	539990563	Capscrew, Hex Hd, .375-16 x 1"	8	
17	539976979	Locknut, .375-16, Fiber	8	
18	542205403	Cover, Encl Top, PP2525/3030 Husq Orange	1	
19	539990580	Capscrew, Hex Hd, 1/4-20 x 3/4	18	
20	539990055	Washer, Flat 1/4" SAE	18	
21	539976978	Locknut, .25-20, Fiber	18	
22	542205406	Panel, Side Hinged, Husq Orange	2	
23	542205408	Hood, Vent Husq Orange	1	
24	541205722	Trim, Edge Rubber Push-On	2	
25	539990580	Capscrew, Hex Hd, 1/4-20 x 3/4	4	
26	539990055	Washer, Flat 1/4" SAE	4	
27	539976978	Locknut, .25-20, Fiber	4	
28	541203385	Support, Skid, - Husq Grey - R.H.	1	Used w/o Trailer
29	502232703	Support, Skid, - Husq Grey - L.H.	1	Used w/o Trailer
30	542190733	Decal, HUSQVARNA	2	
31	502290101	Decal, PP2525D	2	
32	502290102	Decal, PP3030D	2	
33	501987001	Decal, Hydraulic Oil ISO-46	1	
34	502447601	Decal, Valve On/Off	1	
35	502290001	Decal, Main PP2525/3030	1	
36	541201833	Decal, Wall Saw RPM	1	
37	542205402	Stand, Trailer Support - Husq Gray	1	
38	541204861	Capscrew, Hex Hd .625-11 x 4.5	2	
39	539300256	Locknut, Fiber .625-11	2	
40		Decal, Deutz Engine	1	Supplied By Deutz

# B Diesel Engine - PP2525



06.06.07

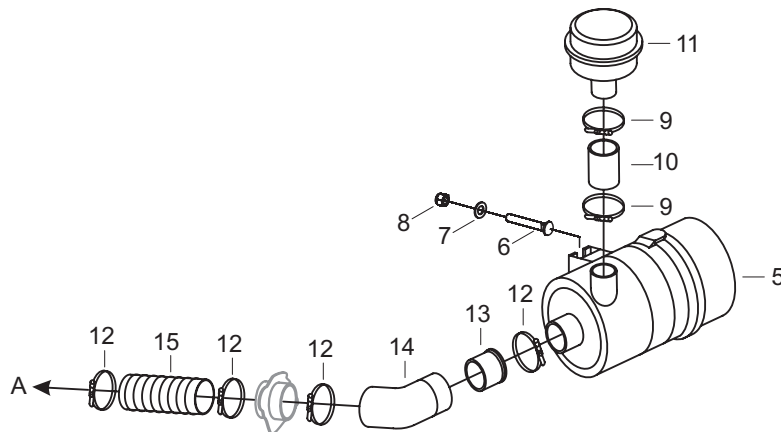


# B

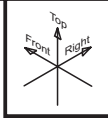
## Diesel Engine - PP2525 Parts List

06.06.07

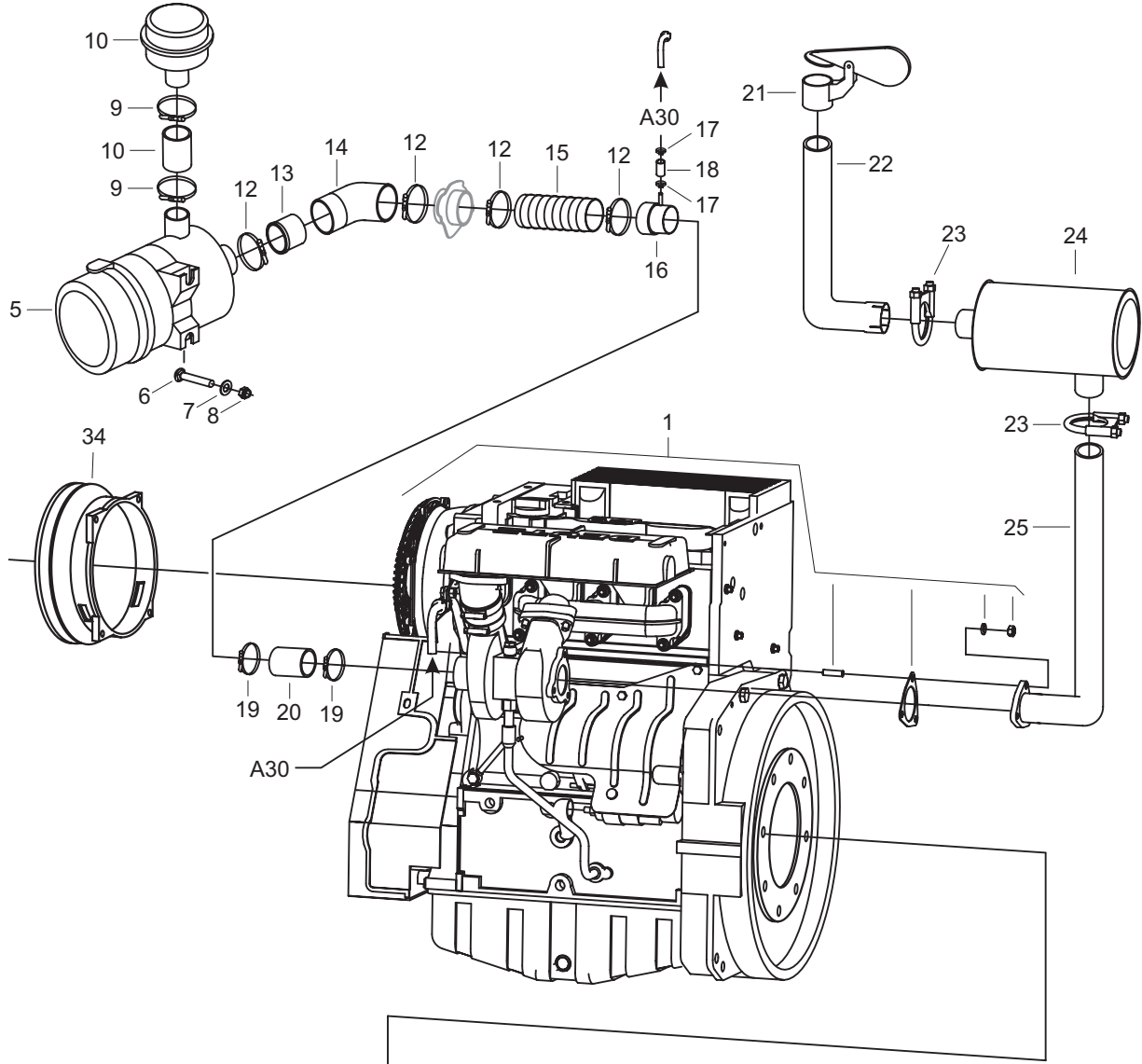
Pos.	Part No.	Description	Qty.	Notes
1	542198823	Engine, Diesel 52 HP Deutz	1	
2	541205725	Capscrew, Hex Hd, 7/16-14 x 4	4	
3	020744	Washer, Flat 7/16"	4	
4	541205726	Nut, 7/16-16 Fiber Lock	4	
5	541201883	Air Cleaner - compl	1	
	541205304	Element, Filter - Primary	1	Replacement Element
	541400647	Element, Filter - Safety	1	Replacement Element
6	541205870	Carriage Bolt, 3/8-16 x 1-1/2	2	
7	539990118	Washer, Lock 3/8	4	
8	539976979	Nut, 3/8-16, Fiber Lock	4	
9	539300073	Clamp, Hose, SAE032 1-9/16" - 2-1/2"	2	
10	541201682	Hose, 2"ID x 2-3/8"OD, Bulk (Per Inch)	2	
11	541201882	Pre-Cleaner, Air	1	
12	541201917	Clamp, Hose 2-1/4" - 3-1/4"	4	
13	541201918	Reducer, Air Cleaner Hose	1	
14	541201900	Elbow, Air Cleaner Hose 2-3/4" 90 Deg	1	
15	541202024	Hose, Air Cleaner 2-3/4"ID, Bulk (Per Foot)	1.7	
16	541205727	Nipple, 1-1/2 x 3 Lg. Black	1	
17	541203324	Bracket, Exhaust Tube	1	
18	541201744	Clamp, Muffler 2-1/8", 5/16-18	1	
19	541203568	Tail Pipe, Exhaust - Threaded	1	
20	541200485	Cap, Rain	1	
21	541403016	Plate, Flex SAE 6.5"	1	
22	541400218	Plate, Pump Mounting SAE 5	1	
23	541400217	Hub, Splined Pump Drive - 1.5" Lg	1	Incls SHCS, M10-1.5 x 30
24	539990563	Capscrew, Hex Hd .375-16 x 1	18	
25	539990118	Washer, Lock 3/8	8	
26	539990122	Flatwasher, 3/8 SAE	18	
27	539300037	Capscrew, Hex Hd, .50-13 x 1.25	2	
28	539990254	Washer, Lock 1/2"	2	
29	541208149	Gasket, Front Inlet Flange Nipple	1	
30	541208156	Flange Nipple, Front Inlet	1	
31	541208150	Bolt, Torx, M8-1.25 x 30 w/ Captive Flatwasher	3	
32	541208153	Nut, Square M8-1.25	3	



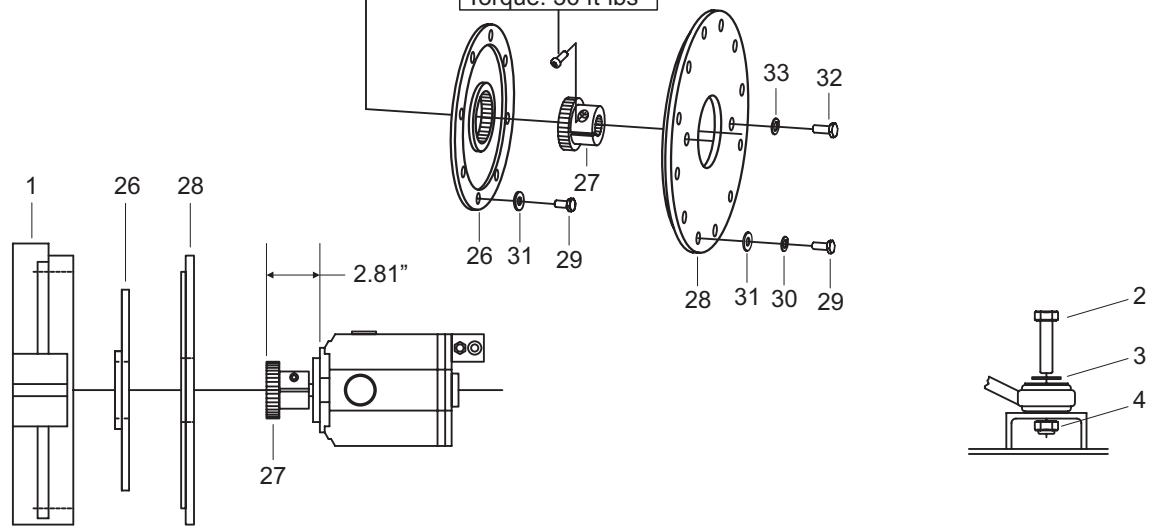
# C Diesel Engine - PP3030



06.06.07



Apply: Loctite 243  
Torque: 36 ft-lbs



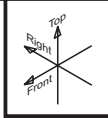


**C****Diesel Engine - PP3030  
Parts List**

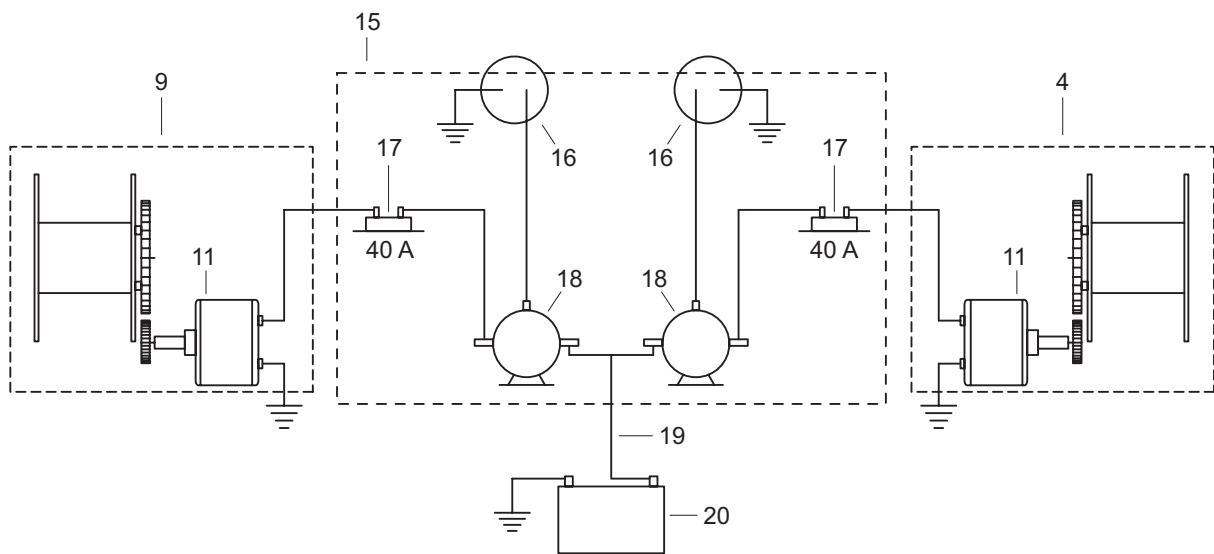
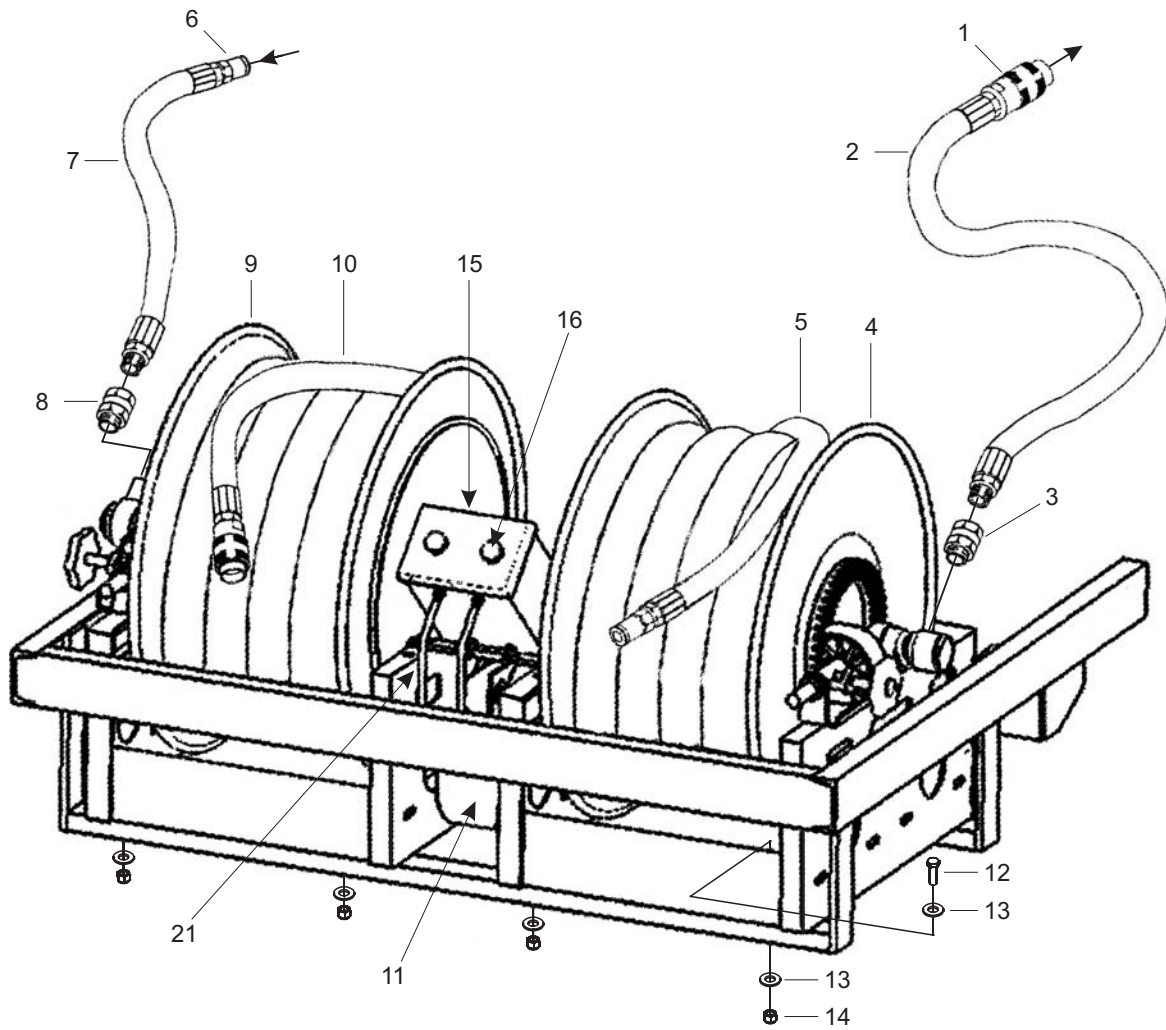
06.06.07

Pos.	Part No.	Description	Qty.	Notes
1	542198825	Engine, Diesel 72 HP Deutz	1	
2	541205725	Capscrew, Hex Hd, 7/16-14 x 4	4	
3	020744	Washer, Flat 7/16"	4	
4	541205726	Nut, 7/16-16 Fiber Lock	4	
5	541201883	Air Cleaner - compl	1	
	541205304	Element, Filter - Primary	1	Replacement Element
	541400647	Element, Filter - Safety	1	Replacement Element
6	541205870	Carriage Bolt, 3/8-16 x 1-1/2	2	
7	539990118	Washer, Lock 3/8	4	
8	539976979	Nut, 3/8-16, Fiber Lock	4	
9	539300073	Clamp, Hose, SAE032 1-9/16" - 2-1/2"	2	
10	541201682	Hose, 2"ID x 2-3/8"OD, Bulk (Per Inch)	2	
11	541201882	Pre-Cleaner, Air	1	
12	541201917	Clamp, Hose 2-1/4" - 3-1/4"	4	
13	541201918	Reducer, Air Cleaner Hose	1	
14	541201900	Elbow, Air Cleaner Hose 2-3/4" 90 Deg	1	
15	541202024	Hose, Air Cleaner 2-3/4"ID, Bulk (Per Foot)	1.7	
16	541203305	Tee, Air Intake Tube Branch, 2.75	1	
17	539300011	Clamp, Hose SAE006	2	
18	539300135	Hose, Water, 1/2", Bulk (Per Foot)	0.166	
19	539300073	Clamp, Hose, SAE032 1-9/16" - 2-1/2"	2	
20	541201682	Hose, 2"ID x 2-3/8"OD, Bulk (Per Inch)	2.5	
21	541200485	Cap, Rain	1	
22	541203310	Tail Pipe, Exhaust	1	
23	541200483	Clamp, Muffler 2-1/2", 3/8-16	2	
24	541200806	Muffler, Lay Down	1	
25	542202037	Manifold Pipe, Exhaust - 3-Hole Flange	1	
26	541208148	Plate, Flex SAE 10"	1	
27	541400216	Hub, Splined Pump Drive - 2.25" Lg	1	
28	541403015	Plate, Pump Mounting SAE 4	1	
29	139749	Capscrew, Hex Hd M10-1.5 x 25	18	
30	162004	Washer, Lock M10	10	
31	173014	Flatwasher, M10	18	
32	539300037	Capscrew, Hex Hd, .50-13 x 1.25	2	
33	539990254	Washer, Lock 1/2"	2	
34	541201867	Ring, Air Guide w/ Seal	1	

# D Duel Hose Reel



06.07.07

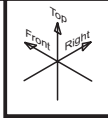


**D****Duel Hose Reel  
Parts List**

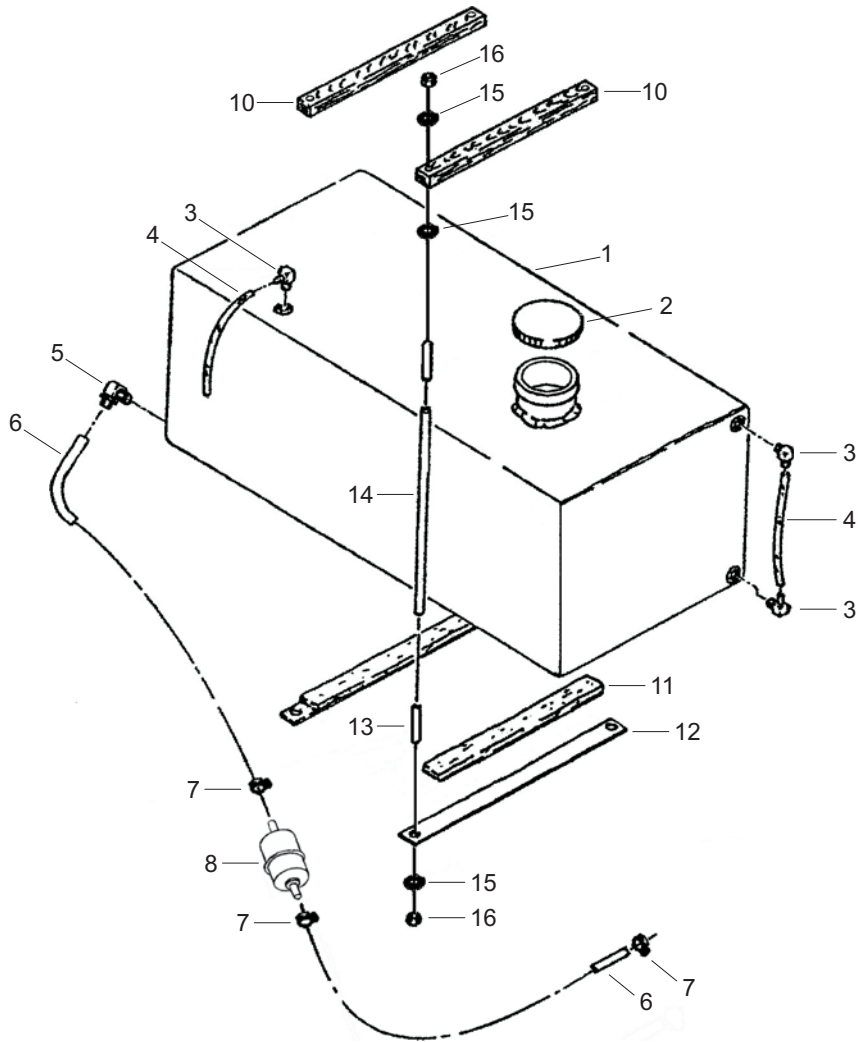
06.18.07

<b>Pos.</b>	<b>Part No.</b>	<b>Description</b>	<b>Qty.</b>	<b>Notes</b>
1	541205218	Hyd. Fit., Q-D Coupler, 3/4"	2	
2	541201866	Hose Assy, Panel To Reel - Pressure	1	
3	541205214	Hyd. Fit., Swivel Pipe 3/4"MPT x 3/4" NPSM	1	
4	541201739	Reel, Hydraulic Hose - Pressure	1	Incls: 11
5	541201772	Hose, 3/4" ID x 100' - Pressure	1	
6	541205217	Hyd. Fit., Q-D Nipple, 3/4"	2	
7	541201865	Hose Assy, Reel To Panel - Return	1	
8	541205213	Hyd. Fit., Swivel Pipe 1"MPT x 1" NPSM	1	
9	541201740	Reel, Hydraulic Hose - Return	1	Incls: 11
10	541201771	Hose, 1" ID x 100' - Return	1	
11	541205786	Motor, Hose Reel - 12 VDC	2	
12	139749	Capscrew, Hex Hd M10-1.5 x 25	8	
13	173014	Flatwasher, M10	16	
14	139748	Locknut, Fiber M10-1.5 x 25	8	
15	541200457	Switch Box - compl	1	
16	541205774	Switch,	2	
17	541205775	Circuit Breaker, 40 Amp	2	
18	541205776	Relay, Solenoid, 12 VDC		
19	541201743	Cable, Battery, 78" Long	1	Batery to Reel
20	541201742	Battery, F-30H, 12 Volt	1	
21	541203384	Bracket, Enclosure Angle	1	

# E Fuel Tank



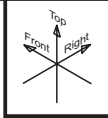
06.08.07



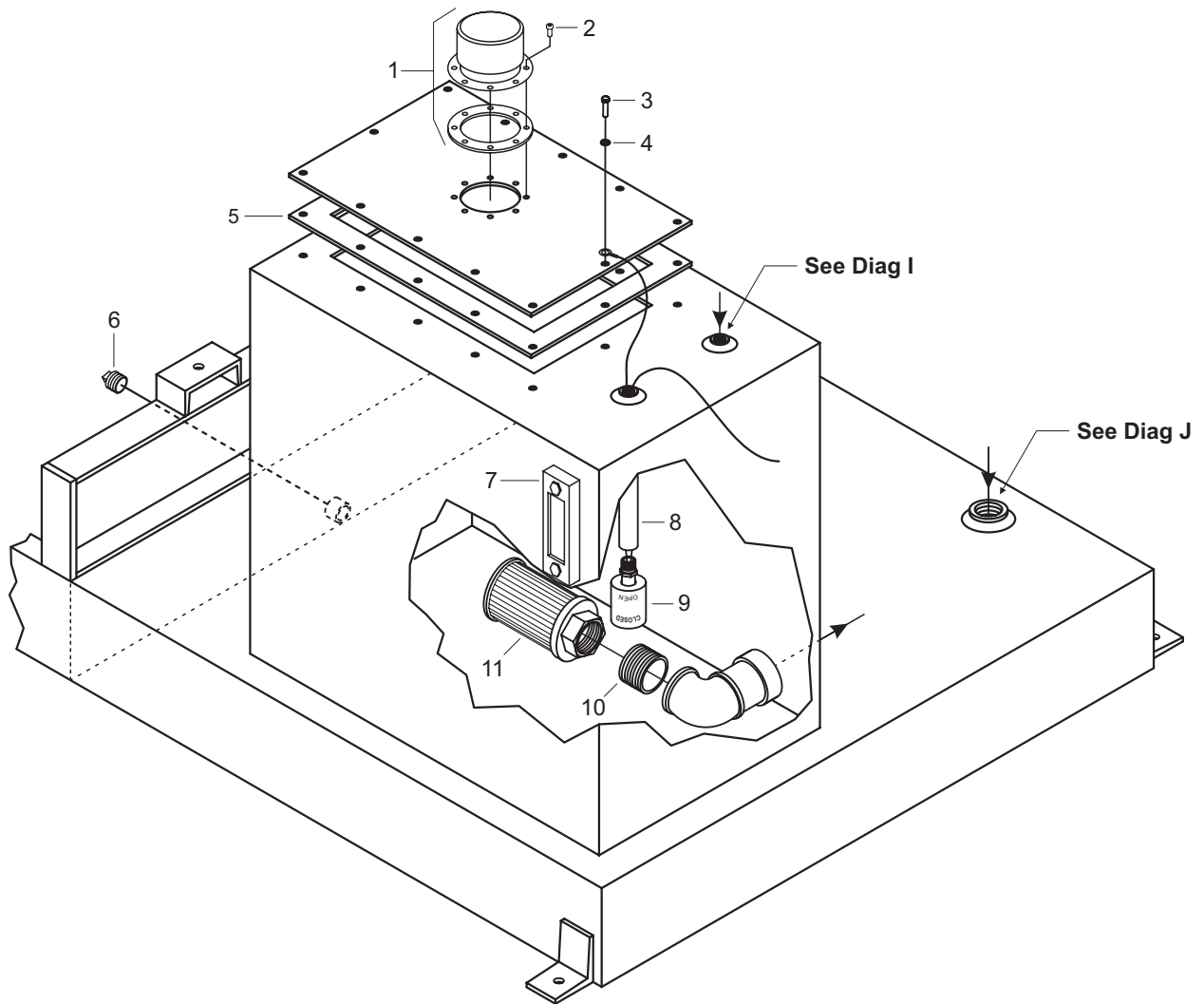
06.08.07

Pos.	Part No.	Description	Qty.	Notes
1	541203321	Tank, Fuel	1	
2	539300085	Cap, Fuel Tank	1	
3	539300298	Hyd. Fit., 90 Deg Elbow 1/4" Hose x 1/4" MPT	3	
4	541200707	Tubing, Clear, 1/4 I.D. x 1/16 (Per Foot)	0.6	
5	541205053	Hyd. Fit., 90 Deg Elbow 3/8" Hose x 3/8" MPT	1	
6	539300072	Clamp, Hose	3	
7	539300069	Strainer, Fuel	1	
8	541208047	Hose, Fuel, 3/8" I.D. (Per Inch)	24	
9	541203389	Spacer, Wodden - Fuel Tank	2	
10	541201751	Tape, Isolation Pad	2	
11	502232801	Strap, Hold Down - Fuel Tank	2	
12	541203322	Rod, Hold Down, 5/16-18 All-Thrd	4	
13	541200726	Tubing, Clear, 5/16 I.D. - Sleeve (Per Foot)	3	
14	539990196	Nut, Hex 5/16-18	4	
15	539990188	Flatwasher, 5/16 SAE	8	
16	539990717	Nut, Fiber Lock 5/16-18	4	

# F Hydraulic Tank - PP2525 & PP3030



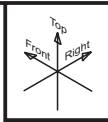
06.14.07



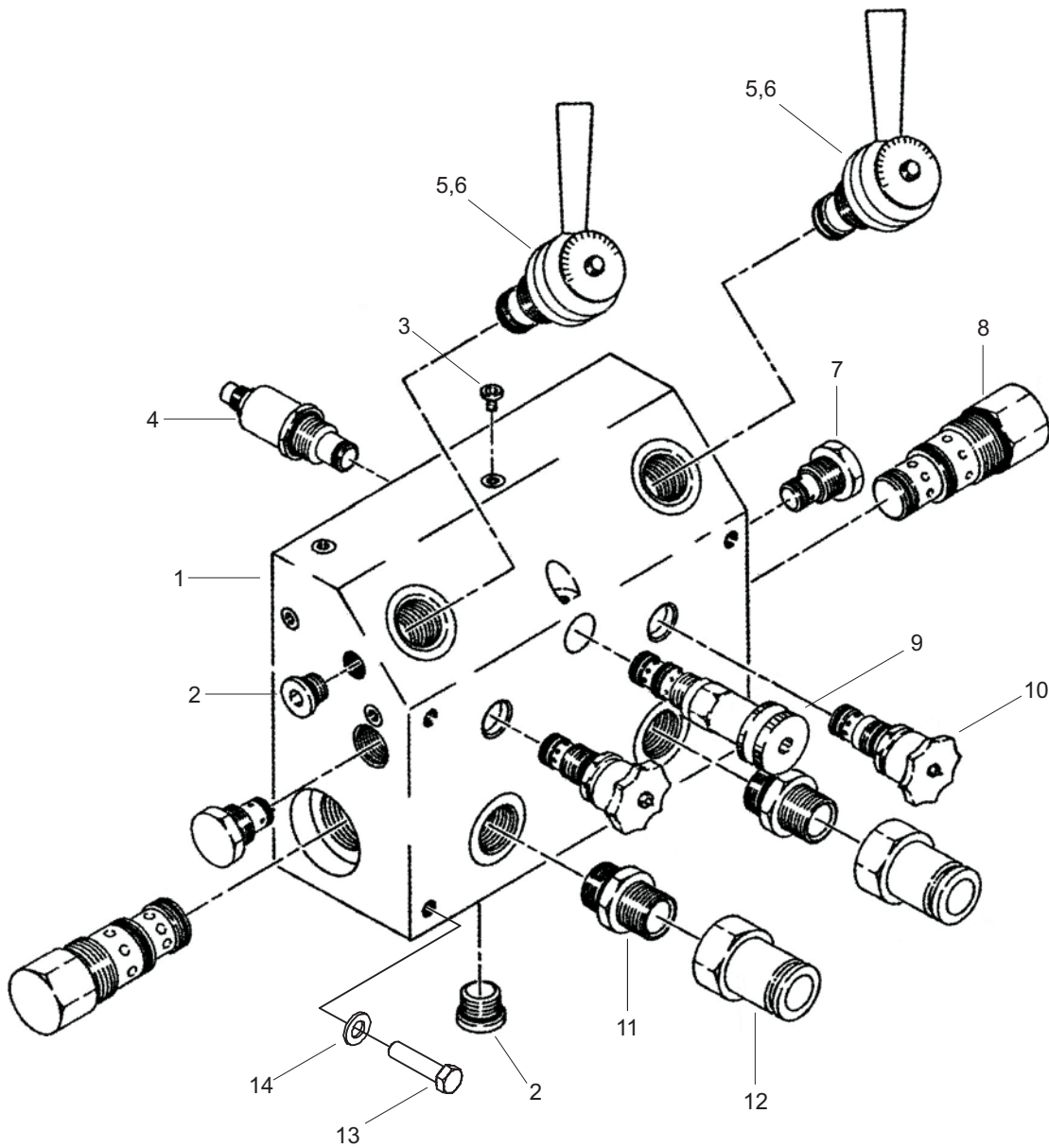
06.14.07

Pos.	Part No.	Description	Qty.	Notes
1	541201765	Cap, Breather/Filler	1	
2	541205252	Screw, Soc Hd, 10-32 x 1/2"	8	
3	539990580	Capscrew, Hex Hd, 1/4-20 x 3/4"	12	
4	539990052	Washer, Lock 1/4"	12	
5	541203359	Gasket, Inspection Cover Plate	1	
6	541205272	Pipe Fit., Plug, Sq Hd, 1/2" NPT Black	1	Drain Plug
7	541201764	Gauge, Oil Level	1	
8	541203328	Pipe, Black 1/4" Sch 40 x 5-7/16"	1	
9	541201761	Switch, Lo-Level Float	1	
10	541205282	Pipe Fit., Close Nipple 1-1/2"	1	
11	541201768	Strainer, Suction	1	

# G Hydraulic Manifold - PP2525 & PP3030



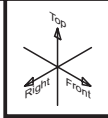
06.11.07



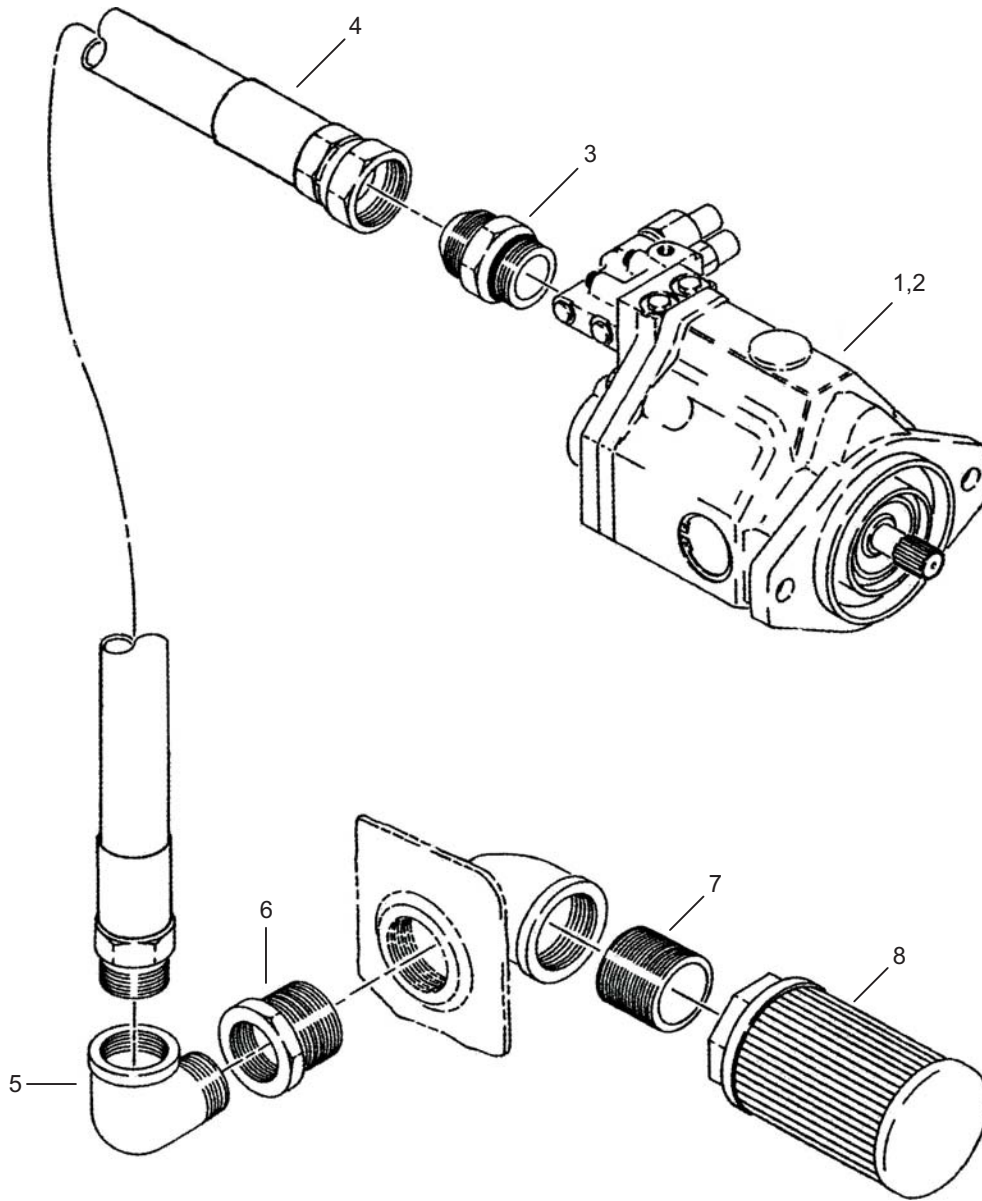
06.11.07

Pos.	Part No.	Description	Qty.	Notes
1	541203330	Manifold, Hydraulic - PP2525 / 3030	1	
2	541205180	Hyd. Fit., Plug, Hollow Hex SAE 10	4	
3	541205181	Hyd. Fit., Plug, Hollow Hex SAE 02	12	
4	541205179	Cartridge, Needle Valve	1	
5	541205175	Cartridge, Flow Control Valve	2	PP2525
6	541205189	Cartridge, Flow Control Valve	2	PP3030
7	541205178	Cartridge, Check Valve	2	
8	541205176	Cartridge, Pressure Comp. Valve	2	
9	541205183	Cartridge, Pressure Reducing Valve	1	
10	541205182	Cartridge, Needle Valve - On-Off	2	
11	541205290	Hyd. Fit., Adaptor SAE 12 x 3/4" NPTM	2	
12	541205217	Hyd. Fit., Q-D Nipple, 3/4"	2	
13	139749	Capscrew, Hex Hd M10-1.5 x 25	4	
14	162004	Lockwasher, M10	4	

# H Hydraulic, Suction - PP2525 & PP3030



06.11.07

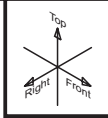


06.11.07

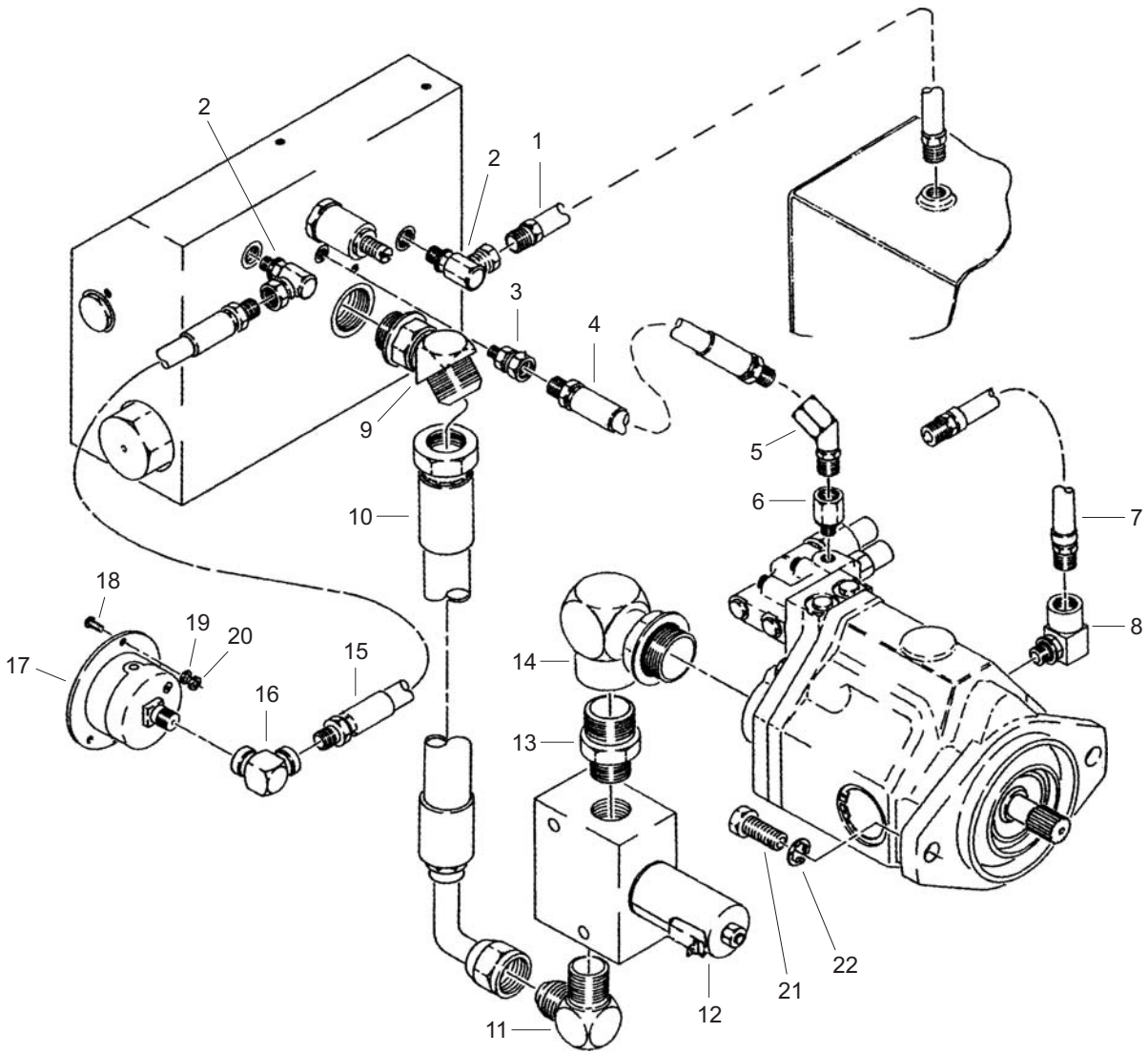
Pos.	Part No.	Description	Qty.	Notes
1	541200445	Pump, Hydr w/ Comp & Cam Stop - PP2525	1	PP2525
2	541202023	Pump, Hydr w/ Comp - PP3030	1	PP3030
3	541205162	Hyd. Fi., Str. Connector 1-1/4 JIC x SAE 20	1	
4	541201759	Hose, Suction	1	
5	541205279	Pipe Fit., St. Elbow 1-1/4" Black	1	
6	541205276	Pipe Fit., Hex Reducer 1-1/2 x 1-1/4"	1	
7	541205282	Pipe Fit., Close Nipple 1-1/2"	1	
8	541201768	Strainer, Suction	1	



# Hydraulic, Pressure - PP2525 & PP3030



06.11.07





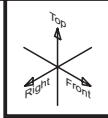
## Hydraulic Pump - Pressure Parts List

06.11.07

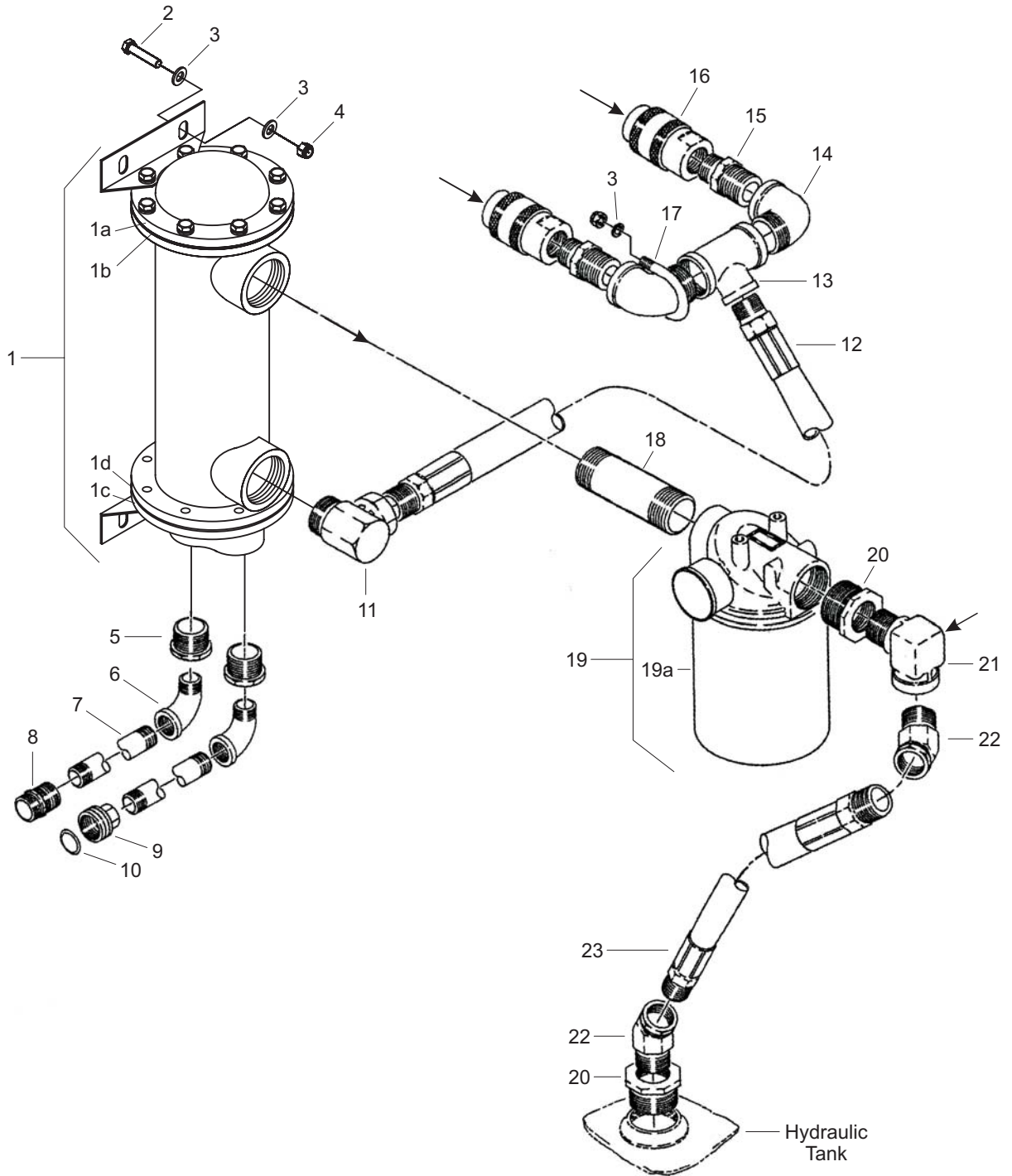
Pos.	Part No.	Description	Qty.	Notes
1	541201828	Hose Assy. 1/4" I.D. x 11.75"	1	Bleed to Tank
2	541205169	Hyd. Fit., Elbow, -4 SAE x 1/4" NPSM	2	
3	541205172	Hyd. Fit., Str. Connector, -4 SAE x 1/4" NPSM	1	
4	541201782	Hose Assy. 1/4" I.D. x 13.5"	1	Manifold to Press Comp
5	541205264	Hyd. Fit., 45 Deg St. Elbow 1/4"	1	
6	541205170	Hyd. Fit., Adaptor 1/4" NPTF x -4 SAE	1	Manifold to Press Comp
7	541201758	Hose Assy 3/8" I.D. x 20"	1	Pump Case Drain to Tank
8	541205163	Hyd. Fit., Adaptor -6 SAE x 3/8" NPTF	1	Pump Case Drain to Tank
9	541205184	Hyd. Fit., 45 Deg -12 SAE x 12 JIC	1	Solenoid Valve to Manifold
10	541201780	Hose Assy, 3/4 I.D. x 90 Deg 12 JIC	1	Solenoid Valve to Manifold
11	541205168	Hyd. Fit., 90 Deg Elbow 12 JIC x 3/4" NPTM	1	Solenoid Valve to Manifold
12	541201767	Valve, Hyd. Solenoid - compl	1	2-Way, 12 VDC
	541201783	Cartridge, Valve Solenoid	1	
	541201784	Coil, Solenoid 12 VDC	1	
13	541205291	Hyd. Fit., Hex Reducing Nipple 3/4" x 1" NPTM	1	
14	541205167	Hyd. Fit., 90 Deg Elbow -16 SAE x 1" NPTF	1	
15	541201775	Hose Assy, 1/4" I.D. x 12"	1	Manifold to Press Gauge
16	541205173	Hyd. Fit., 45 Deg Elbow 1/4" NPTF	1	
17	541201763	Gauge, Hyd. Oil Pressure	1	Panel Mount
18	541205256	Screw, Machine, 6-32 x 3/8	3	
19	541205257	Lockwasher, #6	3	
20	541205038	Nut, Hex 6-32	3	
21	539300037	Capscrew, Hex Hd, .50-13 x 1.25	2	
22	539990254	Washer, Lock 1/2"	2	

# J

## Hydraulic, Return - PP2525 & PP3030



06.12.07

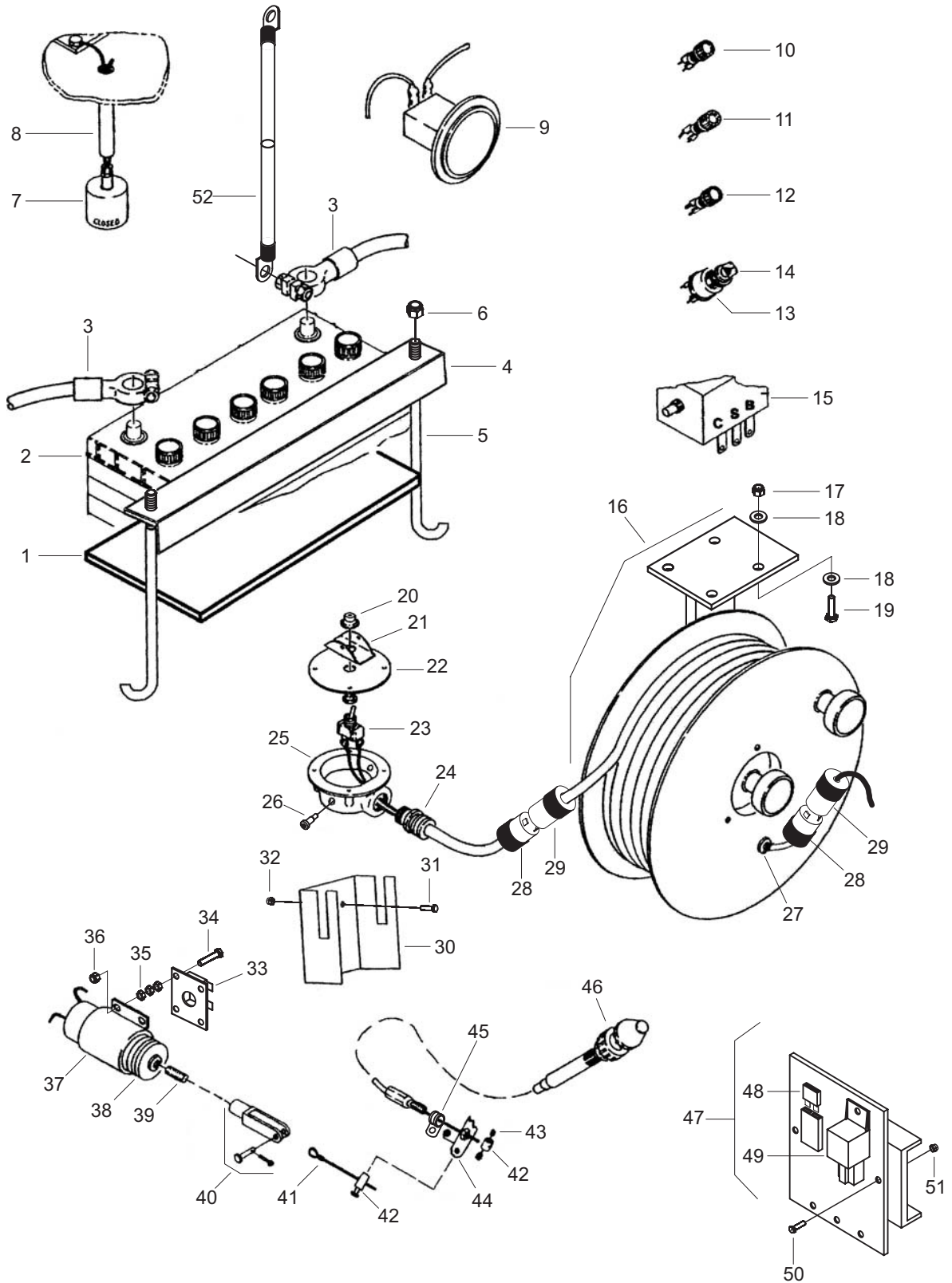


# J

## Hydraulic - Return Parts List

06.12.07

Pos.	Part No.	Description	Qty.	Notes
1	541201785	Cooler, Water-to-Oil	1	
1a	541204564	Bonnet, Return - H/E	1	Service Parts
1b	541204565	Gasket, Return Bonnet - H/E	1	Service Parts
1c	541204566	Bonnet, In/Out - H/E	1	Service Parts
1d	541204567	Gasket, In/Out Bonnet - H/E	1	Service Parts
2	539990563	Capscrew, Hex Hd 3/8-16 x 1"	4	
3	539990517	Washer, Flat 3/8"	8	
4	539976979	Locknut, Fiber 3/8"	4	
5	541203398	Pipe Fit., Bushing, 3/4" x 1/2"	2	
6	539300242	Pipe Fit., 90 Deg St. Elbow, 1/2" Galv	2	
7	541205185	Pipe Fit., Nipple 1/2" x 6" Galv	2	
8	541205265	Hyd. Fit., Water Hose, 3/4" MGH x 1/2" NPTF	1	
9	539300269	Hyd. Fit., Water Hose, 3/4" FGH x 1/2" NPTF	1	
10	539300077	Washer, Hose 3/4"	1	
11	541205174	Hyd. Fit., 90 Deg Elbow 1" NPTM x 1" NPSM	1	
12	541201773	Hose Assy, 1" I.D. 100R4 x 16"	1	Tee to Cooler
13	541205278	Pipe Fit., Fem. Tee, 1" Black	1	
14	541205231	Pipe Fit., St. Elbow, 1" Black	2	
15	541205291	Hyd. Fit., Hex Reducing Nipple 1" x 3/4"	2	
16	541205218	Hyd. Fit., Q-D Coupler - 3/4"	2	
17	541205177	U-Bolt, 3/8-16	2	
18	541205200	Pipe Fit. Nipple, 1-1/4" x 6	1	
19	541201766	Filter, Hydraulic Oil - compl	1	Incls Element
19a	541201776	Element, Filter Replacement	1	Service Parts
20	541205277	Pipe Fit., Bushing 1-1/4" x 1	2	
21	541203329	Hyd Fit., 1" St. Elbow, Drilled & Tapped 3/8"NPTF	1	
22	541205171	Hyd. Fit., 45 Deg Elbow, 1" NPTM x 1" NPSM	2	
23	541202050	Hose Assy, 1" I.D. 100R4 x 18"	1	Filter to Tank



# K

## Control Components Parts List

06.13.07

Pos.	Part No.	Description	Qty.	Notes
1	541201685	Pad, Rubber - Battery	1	
2	541201742	Battery, F-30H, 12 Volt	1	
3	541201959	Cable, Battery, Red x 20"	2	Qty 1 with Trailer Mounted
4	541203320	Bracket, Battery Hold-Down	1	
5	541205156	J-Bolt x 5/16-18 x	2	
6	539990717	Locknut, Fiber 5/16-18	2	
7	541201761	Switch, Lo-Level Float	1	
8	541203328	Pipe, Black 1/4" Sch 40 x 5-7/16"	1	
9	541200529	Meter, Meter	1	
10	541201007	Light, Amber	1	Engine Temperature
11	541201008	Light, Green OIL	1	Oil Pressure
12	541201009	Light, Red	1	Alternator
12	541201010	Bulb, Replacement Light	3	For 10, 11 & 12
13	541201746	Switch, Ignition	1	
14	541201745	Key, Ignition Switch	1	
15	541201974	Switch, Magnetic Relay	1	Murphy Switch
16	541201868	Reel, Electric Cord Storage w/ Mtg Bracket	1	
17	539976978	Nut, Fiber 1/4-20	4	
18	541205764	Flatwasher, 1/4"	8	
19	539977761	Capscrew, Hex Hd, 1/4-20 x 1	4	
20	541201911	Boot, Toggle Switch	1	
21	541201973	Guard, Switch	1	
22	541201738	Cover, Switch Control Box	1	
23	541201976	Switch, Toggle	1	
24	541202037	Strain Relief, Electrical Cord	1	Switch Box
25	541202043	Switch, Control Box	1	
26	541205131	Bolt, Shoulder 5/16	2	
27	541202028	Strain Relief	1	Reel
28	541201891	Plug, Twist-Lock, #7594V	2	
29	541201892	Connector, Twist-Lock, #7593V	2	
30	541203387	Bracket, Remote Switch Mounting	1	
31	541205252	Screw, Soc Hd, 10-32 x 1/2"	2	
32	541205253	Locknut, Fiber 10-32	2	
33	541203319	Plate, Mounting, Solenoid	1	Mounting to Engine
34	541204937	Capscrew, Hex Hd, 1/4-20 x 1.5"	4	
35	539990761	Nut, Hex 1/4-20	12	
36	539976978	Locknut, Fiber 1/4-20	4	
37	541202045	Solenoid, Idle Down	1	
38	541201801	Boot, Dust - Idle Down Solenoid	1	
39	541203317	Rod, Threaded 1/4-28 x 1.5"	1	
40	541205289	Clevis, Pin 1/4-28 & Cotter Pin	1	
41	541203318	Linkage, Cable	1	
42	541201994	Stop, Cable	2	
43	541205255	Screw, Soc Hd Set, 8-32 x 3/16	2	
44	541203326	Arm, Governor Control	1	
45	541201922	Clamp, Cable	1	Control Cable
46	541201755	Cable, Governor Control	1	
47	542182328	Relay, Idle Down - compl	1	
48	166858	Circuit Breaker, 10 Amp	1	
49	166708	Relay, NO/NC	1	
50	165371	Capscrew, Hex Hd, 10-24 x 1	2	
51	020194	Locknut, Fiber 10-24	2	
52	541201925	Cable, Battery x 24" - Starter to Solenoid	1	Qty 2 Required for Trailer Mtg
53	541200444	Harness, Wire - PP2525 / PP3030	1	Not Shown





**Husqvarna Construction Products N. A.**  
**Corporate Office**  
17400 West 119th Street  
Olathe, Kansas 66061  
Tel. 913-928-1000  
Fax 913-438-7951

Customer Service: 800-288-5040  
Customer Serv. Fax: 800-825-0028



### **DUST WARNING**



**Cutting, especially when DRY cutting, generates dust that comes from the material being cut, which frequently contains silica.** Silica is a basic component of sand, quartz, brick clay, granite and numerous other minerals and rocks. Exposure to excessive amount of such dust can cause:

- Respiratory diseases (affecting your ability to breath), including chronic bronchitis, silicosis and pulmonary fibrosis from exposure to silica. These diseases may be fatal;
- Skin irritation and rash; and
- Cancer according to NTP\* and IARC\*  
\* National Toxicology Program / International Agency for Research on Cancer

Take precautionary steps

- Avoid inhalation of and skin contact with dust, mist and fumes;
- Wet cut when feasible, to minimize dust;
- Wear and ensure that all bystanders wear appropriate respiratory protection such as dust masks designed to filter out microscopic particles. (See OSHA 29 CFR Part 1910.1200)

**California Prop 65 Warning:**

Use of this product can cause exposure to materials known to the State of California to cause cancer and/or birth defects or other reproductive harm.



Printed in the USA