



**EN Operator's manual p. 3**

Please read the operator's manual carefully and make sure you understand the instructions before using the machine.

**ES Manual de instrucciones p. 23**

Lea detenidamente el manual de instrucciones y asegúrese de entender su contenido antes de utilizar la máquina.

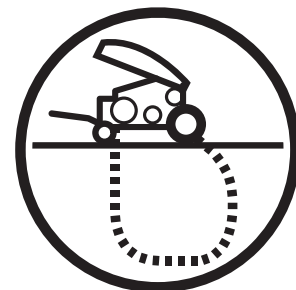
**FR Manuel d'utilisation p. 41**

Lire attentivement et bien assimiler le manuel d'utilisation avant d'utiliser la machine.

**PT Instruções para o uso p. 59**

Leia as instruções para o uso com toda a atenção e compreenda o seu conteúdo antes de fazer uso da máquina.

**CS 2512**



**EN ES FR PT**



# English

## Contents

<b>Key to symbols</b> .....	<b>5</b>
<b>Safety Instructions</b> .....	<b>7</b>
<b>Introduction</b> .....	<b>9</b>
<b>What is what</b> .....	<b>11</b>
<b>Technical data</b> .....	<b>15</b>
<b>Assembling/Installing equipment</b> .....	<b>17</b>
Connection to the hydraulic unit .....	18
Threading the wire.....	18
Placement of the cooling water .....	19
<b>Operation</b> .....	<b>21</b>
Sawing.....	21
Finishing sawing.....	21
Cleaning.....	22
Maintenance .....	22



## Key to symbols

The symbols below are used on the machine and in this Operator's Manual. It is important that the user understands the significance of these in order to work with the machine safely.

### Manual

Please read the Operator's Manual carefully and understand the contents before the machine is started.



### Protective equipment

Always wear:

- Approved protective helmet.
- Approved hearing protection.
- Approved protective glasses or a visor, and other essential safety equipment.



### Warning

A large warning triangle with the text "Warning" signifies that there is a risk of serious personal injury or even death.



### Caution

A smaller warning triangle with the text "Note" signifies that there is a risk of minor personal injury or damage to the machine.



### Remark

A hand with a raised index finger with the text "Attention" signifies that a described element demands extra attention.



### CE

This symbol indicates that the machine conforms to applicable EU directives.





## Safety Instructions

*During the design and production of Husqvarna products, great importance is placed on safety, as well as effectiveness and ease of use. To ensure that the machine remains safe you must pay attention to the following points:*



### WARNING!

**This machine is only intended for use together with a Husqvarna PP 455E or a unit connected to Husqvarna RC 455. All other use is forbidden.**



### CAUTION

Under no circumstances may the machine be started without observing the safety instructions. Should the user fail to comply with these, Husqvarna Construction Products Sweden AB or its representatives are free from all liability both directly and indirectly. Read through these operating instructions and make sure that you understand the contents before starting to use the machine. Should you, after reading these safety instructions, still feel uncertain about the safety risks involved you must not use the machine. Please contact your dealer for more information.

- Check that all couplings, connections and hydraulic hoses are in full working order.
- Make sure that all hoses are connected to the machine correctly before you start the machine.
- Make sure that there are no persons or animals in the working area.
- Check that the guard is not broken and that it is fitted correctly.
- Never cut without using the guard.
- Never disconnect the hydraulic hoses without first shutting off the hydraulic unit and ensuring the motor has stopped completely.
- Check the machine, couplings and hydraulic hoses daily for leakage. A rupture or leak can cause a "hydraulic fluid injection" in the body or result in other serious physical injury.
- Do not exceed the specified hydraulic fluid flow or pressure for the tool being used. Too high pressure can result in rupturing.
- Do not misuse hoses.
- Do not use hoses that are distorted, worn, or damaged.
- Check that the hoses are connected correctly to the machine and that the hydraulic couplings lock as intended before pressurising the hydraulic system. The couplings are locked by turning the outer sleeve on the female coupling so that the slot moves away from the ball.
- Keep the hydraulic hoses and couplings free from dirt.
- Always switch off the power to the hydraulic unit before moving equipment.
- Always saw in a manner that permits easy access to the emergency stop.
- Never leave the machine unsupervised with the motor running.
- Clearly mark out all cuts to be made before you start sawing, plan these so they can be carried out without danger to persons or the machine.
- Check with building drawings whether electrical cables, water pipes, gas pipes or sewage pipes have been routed within the working area.
- Always check and mark out where gas pipes are routed. Cutting close to gas pipes always entails danger. Make sure that sparks are not caused when cutting in view of the risk of explosion. Remain concentrated and focused on the task. Carelessness can result in serious personal injury or death.
- Check that electrical cables within the working area are not live.
- Hoses that are marked and approved as electrically non conductive must be used when using hydraulic tools on or in the vicinity of electrical cables. The use of other types of hoses can result in serious physical injury or even death.
- Observe care when lifting. You are handling heavy parts, which implies the risk of pinch injuries or other injuries.
- Personal protective equipment and protective clothing as set out in the Operator's manual must always be worn. Never wear loose fitting clothes that can catch in moving parts.
- Only use wire recommended by the manufacturer.
- Never cut without using the cooling water. A poorly cooled wire can result in the segments overheating, which results in greater wear. In the worst case scenario, segments can come loose from the wire and injure persons close to the saw.





## Introduction

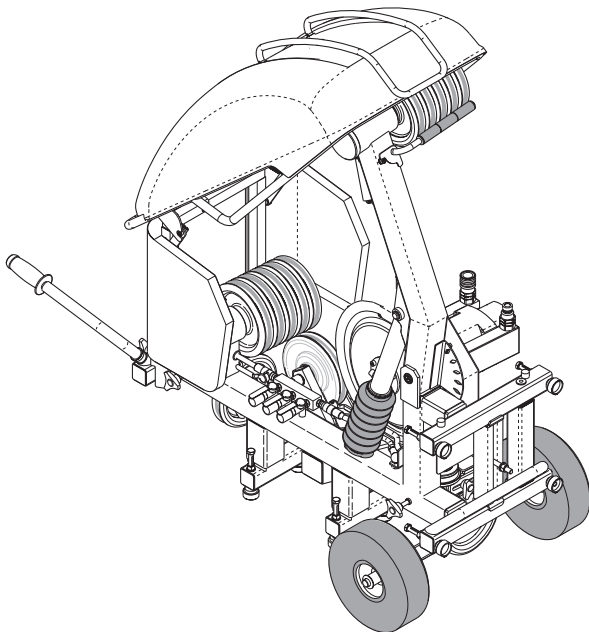
Husqvarna CS 2512 is designed for use together with the hydraulic unit PP 455 E or Husqvarna RC 455. Husqvarna CS 2512 is a powerful and easy to use wire saw with a capacity for really large work, yet at the same time sufficiently compact and mobile for small work. It can be used in many different ways, both on the ground and fitted to the wall.

The well thought-out design of the CS 2512, where the drive wheel is placed on the machine's output side means that the wire is always under tension even when the feed force is low. Combined with the adjustable pressure valve this gives exact control of cutting and unbeatable performance.

The machine can be rigged both vertically and horizontally and many cuts can be made directly without external idler wheels.

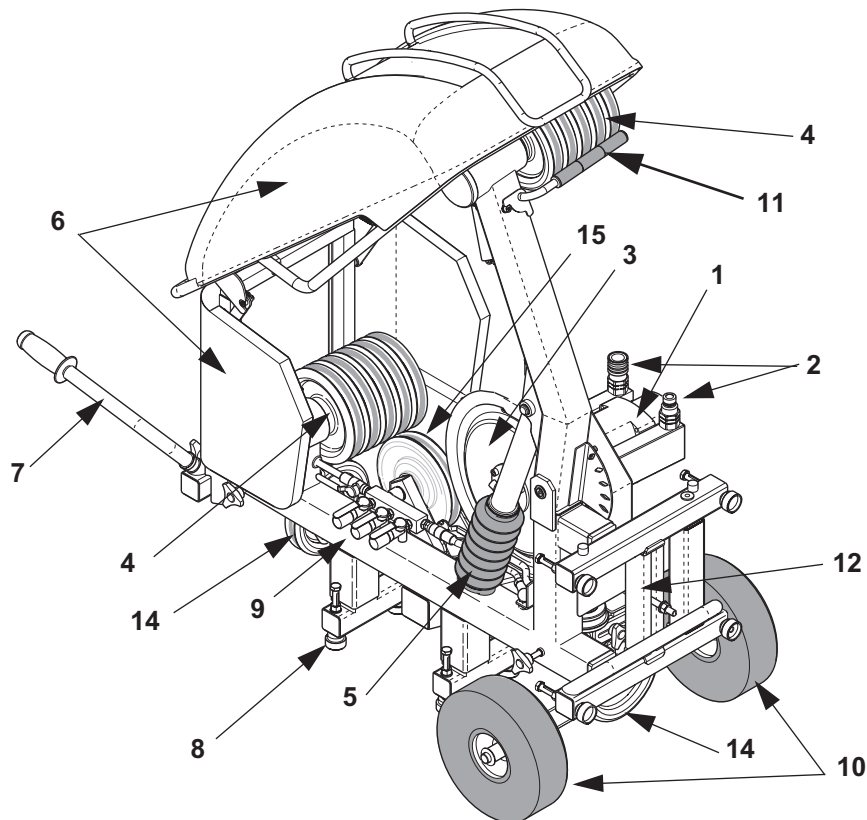
Complete saw equipment consists of:

- 1 x saw unit
- 1 x accessory box
- 1 x 18 mm wrench
- 1 x pressure reduction block
- 1 x extra wear rubber for the magazine wheel
- 1 x cleaning brush





## What is what



The saw consists of the following component parts:

### 1. Hydraulic motor

The machine is powered by a 60 cubic centimetre motor. The motor has two parts, one of 50 cubic centimetres and a smaller part of 10. Two gears are obtained by using either just the large motor or both the large and small motors together. The two gears give different speeds, yet the same power.

### 2. Hydraulic hose connections

The hydraulic flow in the two large hoses drives the machine's motor and with that the wire. The flow in the two smaller hoses drives the magazine cylinder.

### 3. Drive wheel

Transfers the motive force from the motor to the wire. The drive wheel is 400 mm in diameter and is covered with replaceable rubber to give as good grip as possible between the drive wheel and wire.

The drive wheel forms together with the hydraulic motor and the hydraulic connections **the drive wheel unit**. The drive wheel unit is adjusted depending on how many wheel sets are used in the magazine. These can easily be dismantled to give a lighter machine during transporting.

### 4. Wire magazine

Tensions the wire and stores recovered wire. The wire magazine has a capacity to store a maximum of 12 metres of wire (2.4 metres per wheel set).

### 5. Magazine cylinder

The magazine cylinder tensions the wire in the magazine and with that governs cutting. The pressure in the cylinder is adjusted by means of the pressure reduction block fitted on PP 455E or RC 455.

### 6. Guard

The machine has a two-piece guard. A fixed part made of sheet metal and a folding cover made of plastic and metal. The guard is easy to remove, e.g. when the wire is threaded, it should always be fitted in position when cutting.

### 7. Lifting handle

The folding handle is the perfect aid when transporting the machine.

### 8. Adjustable feet

Adjusted so the saw stands firmly. In total, the saw features 10 feet, six for horizontal cutting and four for the vertical position.

### 9. Cooling water connections

There are two connections on the machine for water spears and one for the incoming water. Besides cooling the wire with these, the wire is also rinsed when it returns to the machine and when it leaves the machine by small nozzles.

### 10. Rubber wheels

To facilitate transport. The wheels can be dismantled in some situations to facilitate access on certain jobs. This is done by removing the split pins that lock the wheels on the wheel axle.

### 11. Wire boom

Holds the wire in against the magazine when the magazine is run in. This prevents the wire tangling when not tensioned, e.g. when changing the wire or when changing the number of wheels used in the magazine.

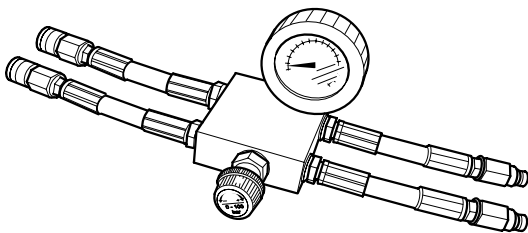
### 12. Anchor beam

Adjustable beam with a longitudinal slot. By moving this beam sideways, you can position the anchor bolt in a suitable position without the need of moving the entire saw when anchoring the saw before cutting.

An additional anchor beam is placed under the saw. The anchor bolt is secured in this beam when horizontal cutting.

### 13. Pressure reduction block

The pressure reduction block is fitted between the hydraulic unit and the hydraulic hoses for the input supply. There is a valve located on the pressure reduction block, this is used to control the magazine tension.



### 14. Swivel wheels

The swivel wheels supported on bearings are located where the wire enters the saw and out through the saw. The swivel wheels help to guide the wire so it is positioned correctly in the saw and can either be locked in a fixed position or used in the unlock position so that the wheels follow the wire.

### 15. Guide wheel

Guides the wire from the magazine to the drive wheel.

When the drive wheel unit is adjusted, the guide wheel is set automatically depending on the number of

magazine wheels used.

## Accessories

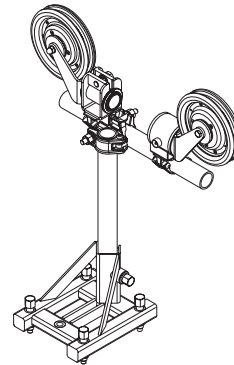
### 1. Water spear

Connected to the water connections on the saw and used to guide cooling water into the cut to cool the wire and to bind the concrete dust.



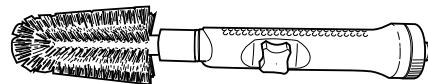
### 2. Idler wheels

Husqvarna idler wheels are designed to smoothly guide the wire as efficiently as possible. By using idler wheels the number of sharp corners to cut around can be reduced, which means that more of the cutting capacity is used for material removal.

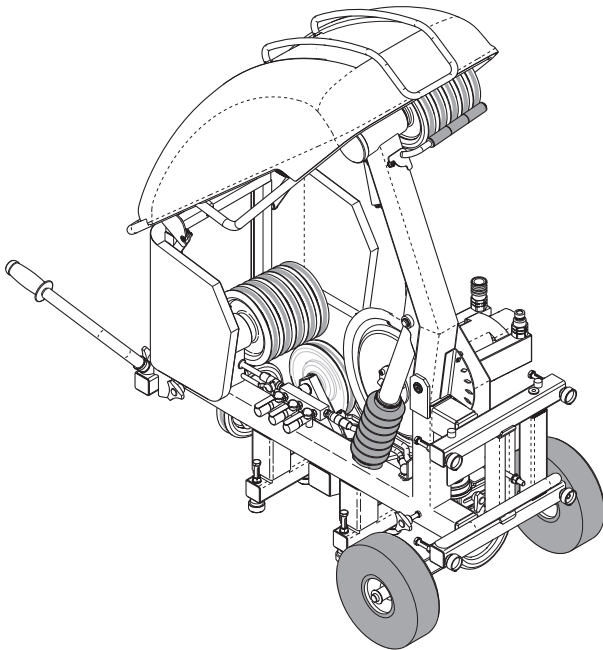


### 3. Cleaning brush

Can be connected to the water hose and then used to clean the machine after use.



## Technical data



Power on drive wheel (with PP 455):	_____ 20 kW
Hydraulic oil flow:	_____ 65l/min (17gal/min)
Max permitted hydraulic pressure	_____ 230 bar (3400 psi)
Max recommended hydraulic pressure when cutting:	_____ 130 bar (1900psi)
Maximal wire length in the magazine:	_____ 12 m (2.4 m/wheel set)
Dimensions, handle folded in and the guard folded down (L x W x H)	_____ 1150x750x980 mm
Weight:	_____ 150 kg ( 330 lbs)
Wire speed gear 1	_____ 20 m/s (66 ft/s)
Wire speed gear 2	_____ 25 m/s (82 ft/s)



### WARNING

**Under no circumstances may modifications be made to the machine without written permission from Husqvarna Construction Products Sweden AB. Non approved modifications put you and others at risk of serious or fatal injuries. Husqvarna Construction Products Sweden AB bears no responsibility for operations that do not conform to these instructions.**

## Recommended wires:

Husqvarna recommends that the following wires are used:

- Husqvarna C710C  
Husqvarna C710C is a galvanised wire developed for use when cutting concrete with a great deal of reinforcement. The segments have a great number of diamonds and a smaller diameter (9.5mm) which means the wire cuts very efficiently. The smaller diameter also means that C710C can be used to finish difficult cuts.
- Husqvarna C750C  
Husqvarna C750C is an all round wire developed for use when cutting reinforced concrete. The wire has been designed for use with saws with an output power between 10 and 25 kW.
- Husqvarna C760C  
This is the Husqvarna premium wire: long life, high cutting rate and high power resistance characterize this wire. Husqvarna C760C can be used to cut all types of reinforced concrete, even when the work places high demands on the wire, for example when cutting bridges.
- Husqvarna C790C  
The segment strength on this wire makes Husqvarna C790C the best choice when cutting soft materials such as mortar, and lightly reinforced limestone concrete.
- Husqvarna C575J  
Husqvarna C575J is a wire with galvanised 15 mm segments.
- Husqvarna C1200M  
Husqvarna C1200M is a wire developed for use when cutting steel. The wire has been designed for use in extremely demanding situations. The use of the latest sintering technique has given enormous advantages with regard to cutting rates and life span. The wire can be supplied with either joined or loose ends.

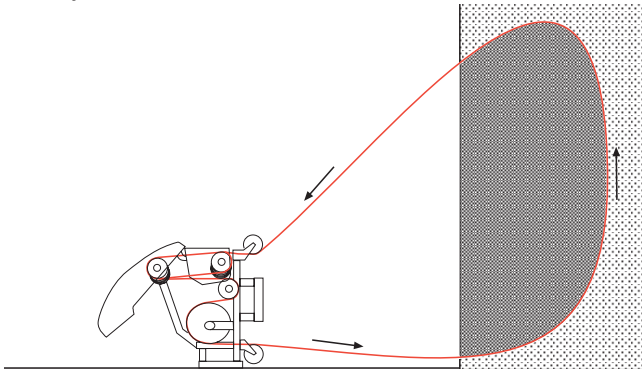
For further information about different tools from Husqvarna, contact your Husqvarna dealer.



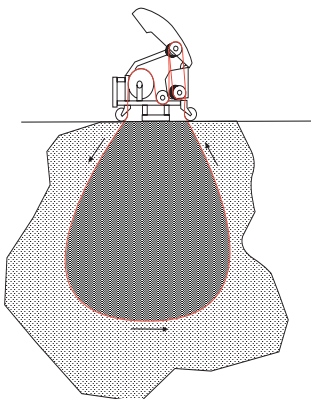
## Assembling/Installing equipment

Cutting needs to be planned carefully before assembling the saw so that it can be performed as easily as possible.

Husqvarna CS 2512 can be assembled to make either horizontal or vertical cuts. The saw is assembled standing when you wish to make vertical cuts.



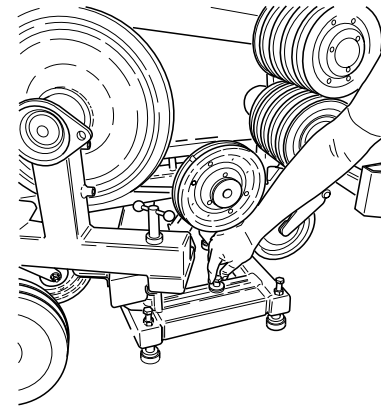
The saw is assembled horizontally when the cut is to be made at floor height and when the cut is made in the floor.



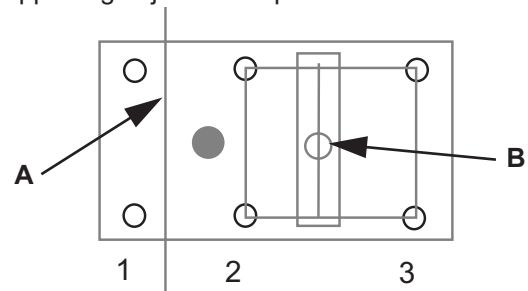
It may be necessary to drill holes to thread the wire through the material to be cut.

Position the saw in an appropriate position in front of the planned cut. When the saw is in position, secure it by screwing down the anchor bolt.

When the saw is anchored to the floor, screw down the adjuster feet so that the saw stands firmly.



Remember that the machine's centre of gravity (the grey circle) is positioned between the first and second pairs of adjuster feet (the adjuster feet pairs are marked 1-3) with a horizontal cut (A). When cutting under the machine, it is important that the saw is anchored well with the anchor bolt (b) as the adjuster feet pairs 2 and 3 must be used. (Adjuster feet pair 1 may rest on the sawn off section.) If the saw is not anchored well it will overturn when the material supporting adjuster feet pair 1 has been cut through.



If necessary, fit idler wheels to assist the cutting process. Using the idler wheels allows the number of sharp corners that the wire must be pulled around can be reduced, which results in less wear to the wire at the same time as cutting is made easier. Using the idler wheels also lets the wire be guided in different directions without the need of moving the saw unit.

Also, use the idler wheels to capture the wire when finishing the cut.



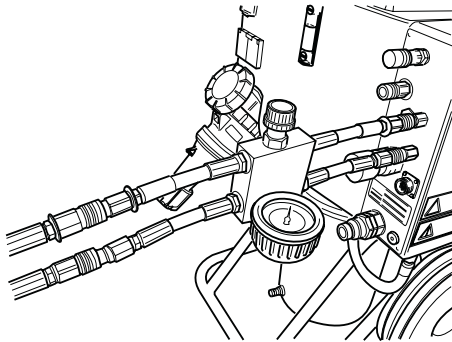
### WARNING!

**Always position the saw so that you can stand without the risk of being hit by a broken wire. Ensure that no unauthorised persons can access the working area while cutting. Being hit by a broken wire can result in death or serious personal injury.**

## Connection to the hydraulic unit

When the saw is assembled appropriately, it should be connected to a hydraulic unit. Husqvarna CS 2512 is designed for use with Husqvarna PP 455 or Husqvarna RC 455.

1. Check that the hydraulic unit is connected to the power.
2. Connect the cooling water to the motor on the hydraulic unit.
3. Check that the display on the remote control shows "CONNECT HOSE BUNDLE". If not follow the instructions in the Operator's manuals for PP 455E or RC 455.
4. Fit the two large hydraulic hoses on the unit first and then to the saw motor connections. Lock the couplings by turning the sleeve on the coupling so that the slot moves away from the ball.
5. Fit the pressure reduction block on the hydraulic unit as set out in the instructions on the block.
6. Connect the two smaller hydraulic hoses to the pressure reduction block. The hoses in the hose bundle marked with a red disc by the coupling shall be connected to the hose on the pressure reduction block that is also fitted with a disc.



Lock the couplings by turning the sleeve on the coupling so that the slot moves away from the ball.

7. Fit the two hoses connected on the pressure reduction block to the hoses to the feed cylinder on the saw. The hoses in the hose bundle marked with a red disc by the coupling shall be connected to the hose on the saw that is also fitted with a disc.
8. Connect the water hose to the incoming water on the saw.

If the couplings jam when assembling, they should be removed completely before being refitted.

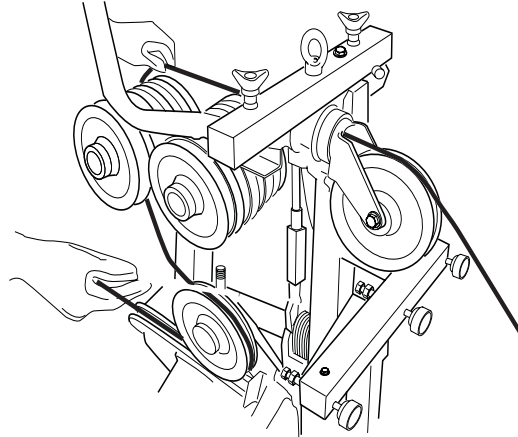
Make sure that the couplings on the hoses not in use do not lie directly on the ground.

Always keep the couplings as clean as possible. A clean coupling lasts longer.

## Threading the wire

The guard can easily be lifted off to facilitate fitting wire. Now thread the wire as follows:

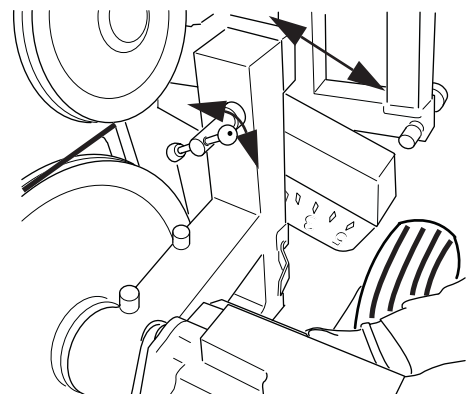
1. Make sure the magazine is in the min position.
2. Place the wire around the work piece, possibly through the predrilled holes and back to the saw.
3. Thread the wire through the hole by the swivel wheel and around a suitable number of wheel sets in the magazine.



4. Adjust the drive wheel unit according to the number of wheel sets used in the magazine:

Loosen the arm by screwing out the knob anti-clockwise. Now turn the drive wheel unit so that the arm is aligned with the markings on the saw. Lock the drive wheel unit by turning back the knob.

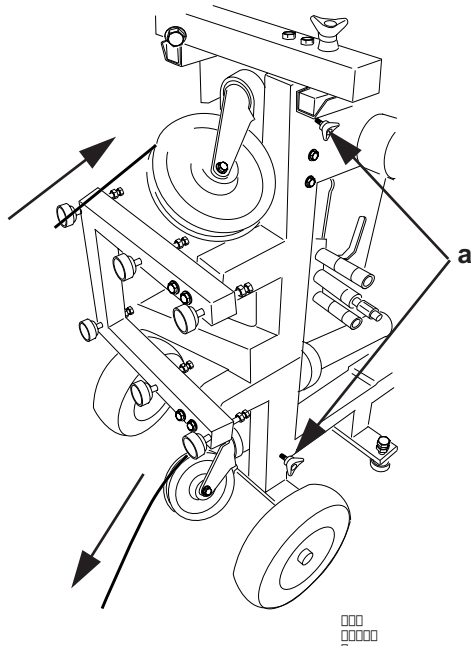
Usually only one wheel set is used in the first stage of cutting.



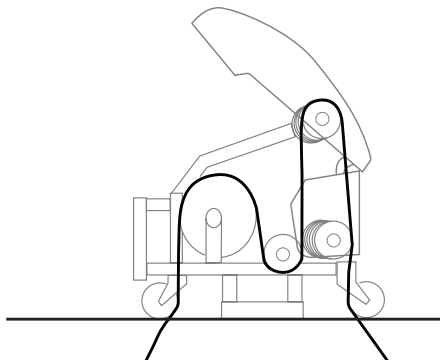
□□□□□□□□



- Thread the wire around the drive wheel and out through the hole by the second swivel wheel. The swivel wheel can rotate and be locked in the required position by turning the marked (A) knobs.



- Before the joints on the wire are connected, the wire should be twisted 1 to 2 turns per metre wire used. It is important to twist the wire in the same direction as it is spun. This is to give as even wear as possible on the wire's diamond segments.
- Lock the wire with a pin. If there are no end sleeves on the wire, these must be spliced on to the wire. A special pair of wire pliers must be used. If you are unsure about which model you should use, contact your Husqvarna dealer.
- When the wire is routed correctly it should run through the machine as in the figure below:

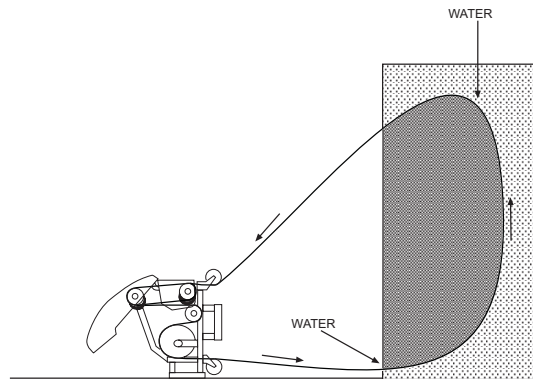


**CAUTION**

A used wire must always be run in the same direction, as it was previously run in order to prevent unnecessary wear.

**Placement of the cooling water**

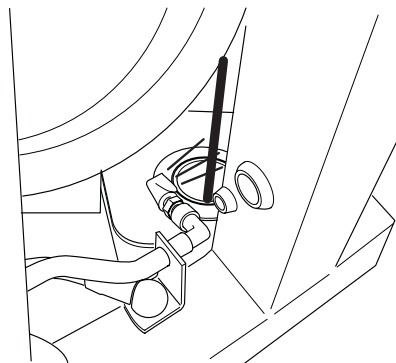
Husqvarna CS 2512 is equipped with two outlets for the cooling water. Ideally, Husqvarna water spears can be connected to these. The water spears are then placed where the wire enters the concrete. In this way the wire takes water with it into the cut, which results in the concrete dust binding and that the wire is cooled efficiently.



**CAUTION**

In order for the water to cool the wire as intended during cutting, it is essential to adjust the position of the cooling water as the material is cut. Remember to always stop the machine when you do this.

In addition to the cooling water from the water spear, the wire is rinsed by the two swivel wheels on the machine. This is to keep the wire as clean as possible, which means that the saw can work with less friction losses and greater efficiency as the wire becomes cleaner.



□□□□□□

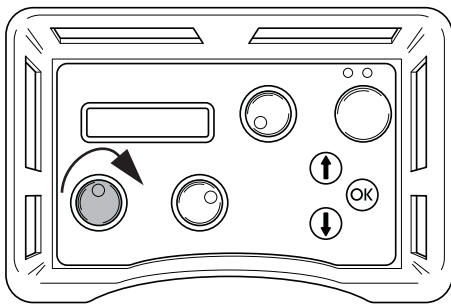


# Operation

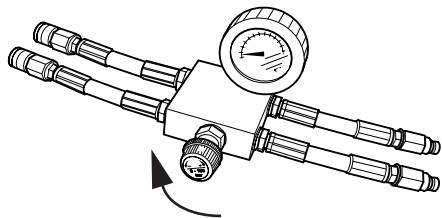
## Sawing

When all the equipment has been assembled cutting can start. In order for the saw to cut as efficiently as possible it should be started as follows:

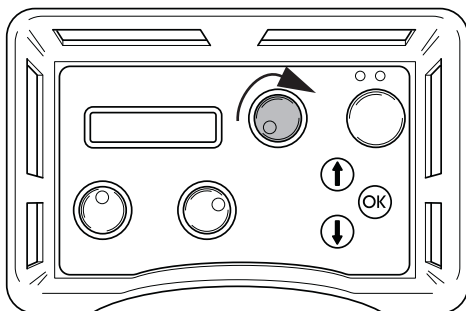
1. Close the valve on the pressure reduction block by turning the knob anti-clockwise until it stops and then two turns back.
2. Start the hydraulic unit.
3. Set the feeding flow on the unit to max by turning the control on the remote control clockwise.



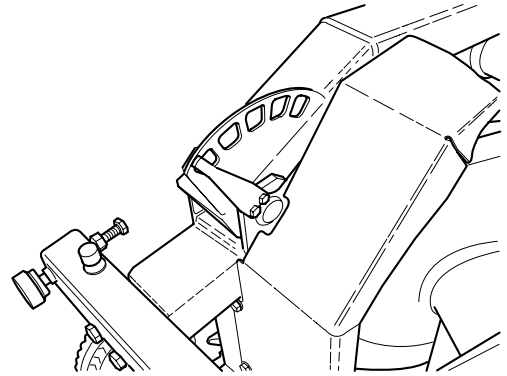
4. Tension the wire by carefully turning the knob on the pressure reduction block clockwise until the wire is tensioned sufficiently. Make sure to always check that the wire is seated correctly in all the wheels on the saw.



5. Start the motor's rotation by turning the control for motor rotation on the remote control clockwise.



6. Carefully increase the motor speed by turning the control for motor rotation. A suitable working pressure when cutting usually lies between 100 and 130 bar, but varies depending on how many wheel sets are used in the magazine, how much wire is in use and the hardness of the material to be cut.
7. As the material is cut away the working pressure drops, which is shown on the display, and the magazine must then be tensioned. Do this by turning the knob on the pressure reduction block clockwise.
8. The output tension on the magazine is shown by an indicator on the machine (shown in the min position). When the magazine cylinder is fully tensioned, the machine must be stopped and the wire must be wound around a new wheel set. Then continue to cut as above.



### CAUTION

In order for the water to cool the wire as intended during cutting, it is essential to adjust the position of the cooling water as the material is cut. Remember to always stop the machine when you do this.

## Finishing sawing

1. Lower the speed on the wire and allow the motor to stop completely.
2. Fold up the magazine arm.
3. Disconnect the incoming mains cable from the hydraulic unit.
4. Disconnect the hydraulic hoses and the water hose from the saw unit.
5. Other steps are done in the reverse order.

## Cleaning

The saw should be cleaned once cutting is finished. It is important to clean all the saw equipment. It is a good idea to disconnect the water hose from the pivot arm and use this to wash down the saw unit. If necessary, you can also use the supplied cleaning brush or the like to clean the equipment. Do not use a high pressure washer to clean the saw.

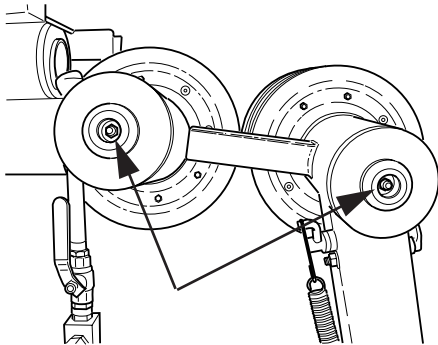
## Maintenance

In addition to the daily maintenance such as cleaning and lubrication, the machine must be serviced. After 50 hours of cutting, the machine should be serviced at an accredited Husqvarna workshop. The saw should then be serviced after every 100 hours of operation. The service is important so that as the user you have a machine that works as effectively as possible for a long time.

## Lubrication

In order for the wire to run as friction free as possible, the magazine axles must be filled with grease. Fill with grease after every 5 -10 hours of operation. Use Canadian Petroleum OG2 or similar grease.

The bearings on the magazine axles also need to be lubricated regularly, but not as often as the magazine axles.



# Español

## Índice

<b>Significado de los símbolos</b> .....	<b>25</b>
<b>Instrucciones de seguridad</b> .....	<b>27</b>
<b>Introducción</b> .....	<b>29</b>
<b>Componentes de la máquina</b> .....	<b>31</b>
<b>Datos técnicos</b> .....	<b>33</b>
<b>Montaje / instalación del equipo</b> .....	<b>35</b>
Conexión en el equipo hidráulico .....	36
Colocación del cable .....	36
Ubicación del agua refrigerante .....	37
<b>Manejo</b> .....	<b>39</b>
Corte .....	39
Finalización del corte .....	39
Limpieza .....	40
Mantenimiento .....	40



## Significado de los símbolos

Los símbolos siguientes se encuentran en la máquina y en el manual de instrucciones de la misma. Es importante que el usuario comprenda su significado para poder trabajar de forma segura con la máquina.

### Libro

Lea detenidamente el manual de instrucciones y comprenda su contenido antes de arrancar la máquina.



### Equipo de protección

Utilice siempre:

- Casco protector homologado.
- Protectores auriculares homologados.
- Gafas protectoras homologadas o visera, además de otro equipo de protección personal necesario.



### Advertencia

Un triángulo de advertencia grande con el texto “¡Advertencia!” significa que hay riesgo de daños personales graves e incluso peligro de muerte.



### ¡Atención!

Un triángulo de advertencia pequeño con el texto “¡Atención!” significa que hay riesgo de daños personales leves o daños en la máquina.



### Aclaración

Una mano con el dedo índice estirado y el texto “Observación” significa que se debe prestar especial atención a algún punto descrito.



### CE

Este símbolo indica que la máquina es conforme a las Directivas CE vigentes.







## Instrucciones de seguridad

En el diseño y fabricación de los productos Husqvarna se ha puesto un gran énfasis en la seguridad, además de la efectividad y la facilidad de manejo. Aspectos que se deben considerar para mantener la seguridad de la máquina:



### ¡ADVERTENCIA!

**Esta máquina sólo está destinada a utilizar junto con Husqvarna PP 455E o un equipo conectado a Husqvarna RC 455. Está prohibida cualquier otra aplicación.**



### ¡ATENCIÓN!

La máquina no se debe poner en marcha, por ningún concepto, sin observar las reglas de seguridad. Si el usuario contraviene estas reglas, Husqvarna Construction Products Sweden AB o su representante quedan exentos de responsabilidad directa e indirecta. Lea este manual de instrucciones y comprenda el contenido antes de empezar a utilizar la máquina. Si usted, después de leer estas instrucciones de seguridad, no se siente seguro de que conoce los riesgos de seguridad existentes, no debe utilizar la máquina. Para información más detallada, consulte con el concesionario.

- Compruebe que todos los acoplamientos y conexiones, y las mangueras hidráulicas están intactos.
- Asegúrese de que todas las mangueras están correctamente conectadas en la máquina antes de ponerla en marcha.
- No permita la presencia de personas o animales en la zona de trabajo.
- Compruebe que las protecciones no estén rotas y que están correctamente montadas.
- No corte nunca sin emplear las protecciones.
- No desacople nunca las mangueras hidráulicas sin antes haber desactivado el equipo hidráulico y parado totalmente el motor.
- Revise a diario la máquina, los acoplamientos y las mangueras hidráulicas para ver si hay fugas. Una grieta o rotura puede producir una "inyección de aceite" en el cuerpo o daños personales graves de otro tipo.
- No se debe sobrepasar el caudal ni la presión de aceite especificados para las herramientas que se utilizan. Una presión demasiado alta puede causar explosión.
- No maltrate las mangueras.
- No utilice mangueras retorcidas, gastadas o dañadas.
- Compruebe que las mangueras estén conectadas adecuadamente en la herramienta y que las conexiones hidráulicas cierren como es debido antes de presurizar el sistema hidráulico. Las conexiones se fijan girando el manguito exterior del acoplamiento hembra para apartar la ranura de la bola.
- Mantenga limpias de suciedad las mangueras y conexiones hidráulicas.
- Desconecte siempre la corriente del equipo hidráulico antes de desplazar el equipo.
- No haga nunca trabajos de corte de forma tal que no pueda acceder fácilmente a la parada de emergencia.
- Mantenga bajo vigilancia la máquina siempre que el motor esté en marcha.
- Antes de empezar a cortar, todos los cortes que se van a hacer deben marcarse con claridad y planificarse para que se puedan hacer sin riesgo de dañar a personas o la máquina.
- Compruebe, con planos de construcción, si hay cables eléctricos, tuberías de agua, tuberías de gas o tuberías de desagüe instalados en el área de trabajo.
- Averigüe y marque siempre la ubicación del trazado de las tuberías de gas. El corte cerca de tuberías de gas siempre es peligroso. Procure que no se generen chispas al cortar, debido al riesgo de explosión. Trabaje concentrado en su tarea. La negligencia comporta riesgo de daños personales graves y peligro de muerte.
- Compruebe que los cables eléctricos que haya en el área de trabajo no tengan tensión.
- Para usar herramientas hidráulicas en o cerca de cables eléctricos deben usarse mangueras marcadas y homologadas como "no conductoras de electricidad". El uso de mangueras de otro tipo comporta peligro de muerte o daños personales graves.
- Proceda con cuidado en las elevaciones. Las piezas son pesadas, por lo que hay riesgo de daños por apriete y daños personales de otro tipo.
- Debe utilizarse siempre el equipo de protección y las prendas protectoras indicados en el manual de instrucciones. No se deben usar prendas de vestir que puedan quedar agarradas en piezas móviles de la máquina.
- Utilice solamente cables recomendados por el fabricante.
- No corte nunca sin usar agua refrigerante. Una mala refrigeración del cable puede causar sobrecalentamiento de los segmentos, lo cual agiliza el desgaste. En el peor

de los casos se pueden soltar segmentos del cable y dañar a personas que se encuentran cerca de la sierra.

## Introducción

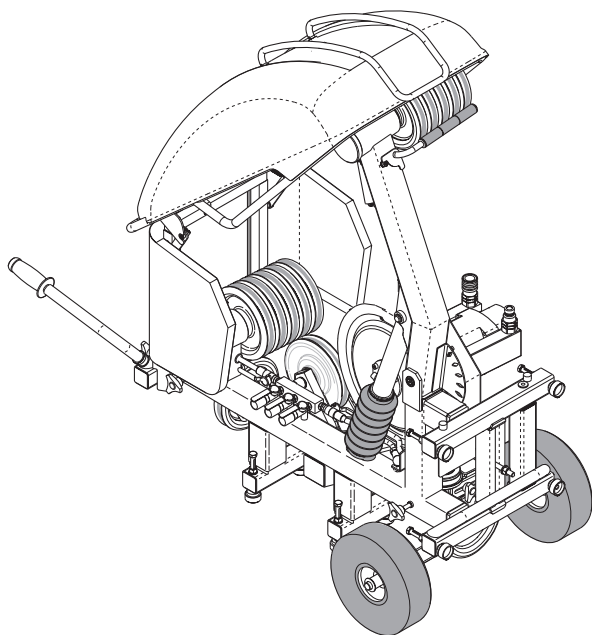
Husqvarna CS 2512 está diseñada para utilizar junto con el equipo hidráulico PP 455 E o Husqvarna RC 455. Husqvarna CS 2512 es una sierra de cable potente y de fácil manejo con capacidad para trabajos verdaderamente grandes, pero es lo suficientemente compacta y móvil para hacer trabajos pequeños. La sierra puede utilizarse de muchas formas diferentes, en el suelo y montada en pared.

Gracias al diseño cuidadoso de la CS 2512, con la rueda motriz situada en el lado de salida de la máquina, el cable siempre está tensado aunque la fuerza de alimentación sea baja. Esta característica combinada con la válvula de presión ajustable proporciona un control preciso del corte y unas prestaciones superiores.

La máquina se puede instalar en posición vertical u horizontal y es posible hacer muchos cortes directamente sin utilizar ruedas de retorno externas.

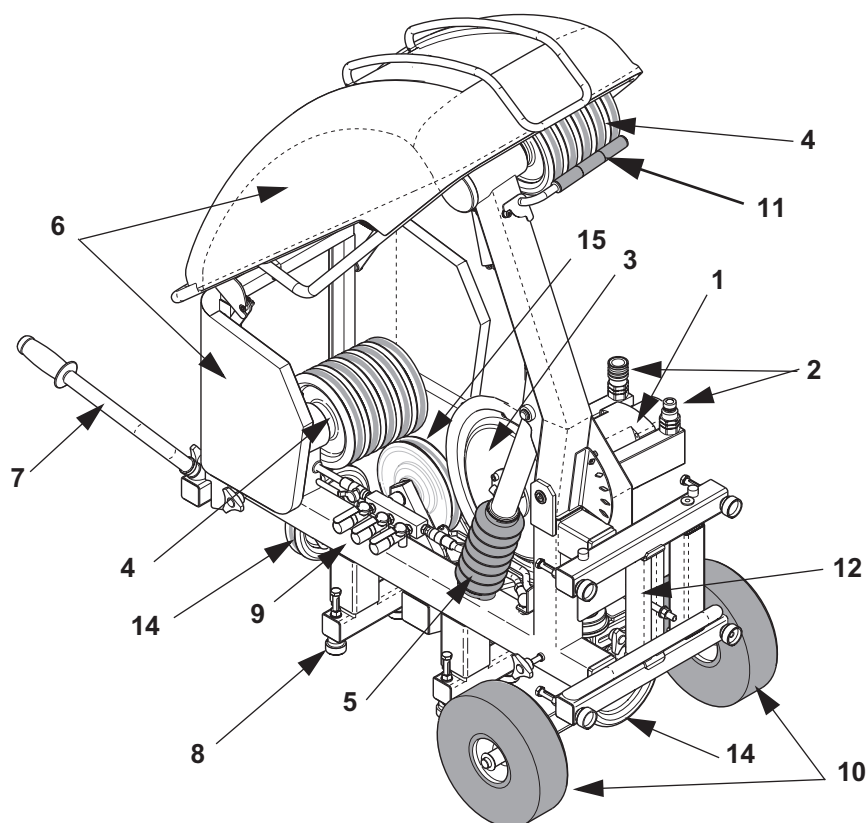
Un equipo de sierra completo consta de:

- 1 unidad de sierra
- 1 caja de accesorios
- 1 llave de 18 mm
- 1 bloque de reducción de presión
- 1 goma de desgaste extra para rueda de depósito
- 1 cepillo de limpieza





## Componentes de la máquina



La sierra consta de los componentes siguientes:

### 1. Motor hidráulico

La máquina es accionada por un motor de 60 cm<sup>3</sup>. El motor tiene dos secciones: una de 50 cm<sup>3</sup> y una más pequeña de 10 cm<sup>3</sup>. Utilizando solamente el motor grande o ambos motores juntos se obtienen dos marchas. Éstas dos marchas generan velocidades diferentes pero la misma potencia.

### 2. Conexiones de las mangueras hidráulicas

El caudal de aceite hidráulico en las dos mangueras gruesas acciona el motor de la máquina y, así, el cable. El caudal en las dos mangueras finas acciona el cilindro del depósito.

### 3. Rueda motriz

Transmite la fuerza propulsora del motor al cable. La rueda motriz tiene un diámetro de 400 mm y tiene un revestimiento de goma cambiabile para que haya el mejor agarre posible entre la rueda motriz y el cable.

La rueda motriz junto con el motor hidráulico y las conexiones hidráulicas forma la **unidad de rueda motriz**. La unidad de rueda motriz se ajusta según el número de pares de ruedas del depósito que se utiliza y se desmonta fácilmente para reducir el peso de transporte de la máquina.

### 4. Depósito de cable

Estira el cable y guarda el cable retirado. El depósito de cable tiene capacidad para guardar un máximo de 12 metros de cable (2,4 metros por par de ruedas).

### 5. Cilindro del depósito

La función del cilindro del depósito es estirar el cable en el depósito y, con lo que se controla el corte. El ajuste de la presión en el cilindro se hace con el bloque de reducción de presión que se monta en PP 455E o RC 455.

### 6. Protección

La máquina tiene una protección de dos partes. Una parte fija de chapa y una cubierta abatible de plástico y metal. La protección es fácil de desmontar, por ejemplo para colocar el cable, pero debe estar siempre montada durante el corte.

### 7. Empuñadura de elevación

La empuñadura plegable es un accesorio excelente para el transporte de la máquina.

### 8. Patas de ajuste

Se ajustan para que la sierra esté estable. Hay un total de 10 en la sierra: seis para cortes yacentes y cuatro para la posición horizontal.

## 9. Conexiones de agua refrigerante

La máquina tiene dos conexiones para lanza de agua y una conexión para entrada de agua. Con estas conexiones, además de enfriar el cable, también se lava el cable cuando entra en la máquina y cuando sale de la máquina con dos boquillas pequeñas.

## 10. Ruedas de goma

Para facilitar el transporte. Las ruedas se desmontan fácilmente para facilitar el acceso en algunos trabajos. Se desmontan soltando el pasador que fija las ruedas en el eje.

## 11. Brazo de cable

Retiene el cable contra el depósito cuando éste es cerrado. Así se evita que se enrede el cable cuando no está tensado; por ejemplo al cambiar el cable o cuando se cambia el número de ruedas que se utilizan en el depósito.

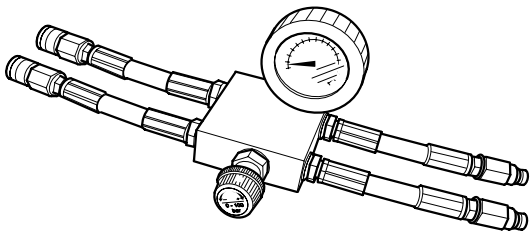
## 12. Viga de anclaje

Viga ajustable con ranuras longitudinales. Trasladando la viga lateralmente se puede poner el perno de anclaje en el lugar adecuado sin necesidad de trasladar toda la sierra cuando se va a fijar la misma antes de cortar.

Hay otra viga de anclaje debajo de la sierra. En esta viga se fija el perno de anclaje para corte horizontal.

## 13. Bloque de reducción de presión

El bloque de reducción de presión se monta entre el equipo hidráulico y las mangueras hidráulicas para la alimentación de entrada. En el bloque de reducción de presión hay una válvula para controlar la tensión del depósito.



## 14. Ruedas articuladas

Las ruedas articuladas, provistas de cojinetes, están situadas en los puntos de entrada y salida del cable de la sierra. Las ruedas articuladas ayudan a dirigir el cable para que entre correctamente en la sierra y pueden bloquearse en posición fija o utilizarse en posición desbloqueada para seguir mejor el cable.

## 15. Rueda de dirección

Dirige el cable desde el depósito hacia la rueda motriz.

Cuando se ajusta la unidad de rueda motriz, la rueda de dirección se ajusta automáticamente dependiendo del número de ruedas de depósito que se utiliza.

## Accesorios

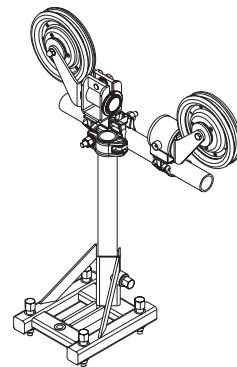
### 1. Lanza de agua

Se conecta en las conexiones de agua de la sierra y se utiliza para dirigir el agua refrigerante al interior del corte para enfriar el cable y ligar el polvo de hormigón.



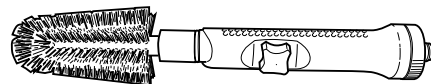
### 2. Ruedas de retorno

Las ruedas de retorno de Husqvarna están diseñadas para dirigir fácilmente el cable de la forma más eficaz posible. Utilizando las ruedas de retorno se puede reducir el número de esquinas agudas alrededor de las que cortar, con lo que se utiliza más fuerza de corte para cortar material.

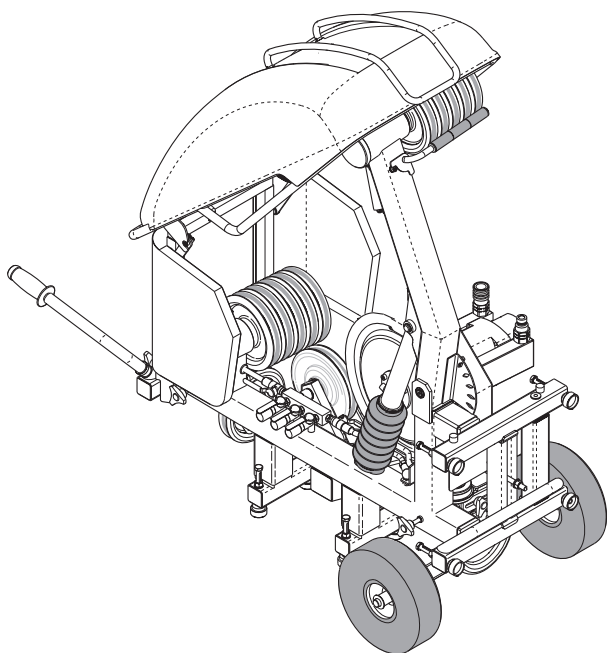


### 3. Cepillo de limpieza

Se puede conectar en una manguera de agua y es recomendable utilizarlo para limpiar la máquina después de usarla.



## Datos técnicos



Potencia en la rueda motriz (con PP 455):	20 kW
Caudal de aceite hidráulico	65 l/min (17 gal/min)
Presión hidráulica máxima permitida	230 bar (3400psi)
Presión hidráulica máxima recomendada al cortar:	130 bar (1900 psi)
Longitud máxima de cable en el depósito:	12 m (2,4 m/par de ruedas)
Dimensiones, con la empuñadura plegada y la protección bajada (LaxAnxAI)	1.150x750x980 mm
Peso:	150 kg ( 330 lbs)
Velocidad del cable, marcha 1	20 m/s (66 ft/s)
Velocidad del cable, marcha 2	25 m/s (82 ft/s)



### ¡ADVERTENCIA!

**No está permitido efectuar modificaciones en la máquina por ningún concepto sin la autorización por escrito de Husqvarna Construction Products Sweden AB. Las modificaciones no autorizadas comportan riesgo de daños personales graves e incluso peligro de muerte para usted y para otras personas. Husqvarna Construction Products Sweden AB no se responsabiliza por el manejo que no concuerde con estas instrucciones.**

## Cables recomendados:

Husqvarna recomienda utilizar los cables siguientes:

- **Husqvarna C710C**  
Husqvarna C710C es un cable galvanizado, desarrollado para usar para cortar hormigón con mucha armadura. Los segmentos tienen un gran contenido de diamantes y diámetro pequeño (9,5 mm), por lo que el cable tiene muy buen rendimiento de corte. Además, gracias al diámetro pequeño el C710C también puede usarse para hacer cortes difíciles.
- **Husqvarna C750C**  
Husqvarna C750C es un cable de uso general, desarrollado para usar para cortar hormigón armado. El cable ha sido desarrollado para usar junto con sierras de potencia entre 10 y 25 kW.
- **Husqvarna C760C**  
Éste es el mejor cable de Husqvarna: se caracteriza por la larga vida útil, la velocidad de corte alta y la tolerancia a potencias altas. Husqvarna C760C puede usarse para cortar todo tipo de hormigón armado, incluso en trabajos muy exigentes con el cable; por ejemplo, el corte de puentes.
- **Husqvarna C790C**  
Gracias a la dureza de los segmentos, el cable Husqvarna C790C es la opción idónea para cortar materiales blandos como mortero y hormigón de cal con armadura ligera.
- **Husqvarna C575J**  
Husqvarna C575J es un cable con segmentos galvanizados de 15 mm.
- **Husqvarna C1200M**  
Husqvarna C1200M es un cable desarrollado para cortar acero. El cable ha sido desarrollado para usar en situaciones extremadamente exigentes. El empleo de la última técnica de sinterización proporciona enormes ventajas de velocidad de corte y vida útil. El cable se puede entregar con extremos unidos o sueltos.

Para más información sobre las diferentes herramientas de Husqvarna, consulte con su distribuidor de Husqvarna.

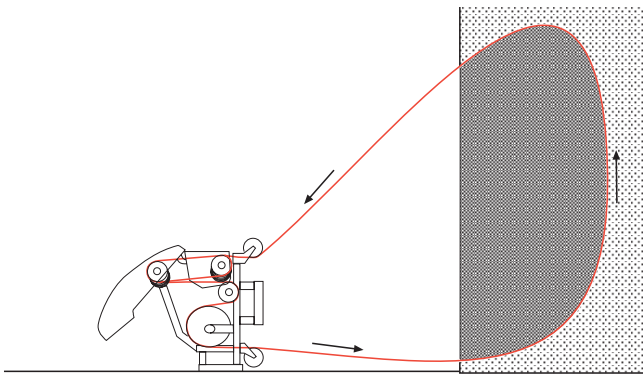




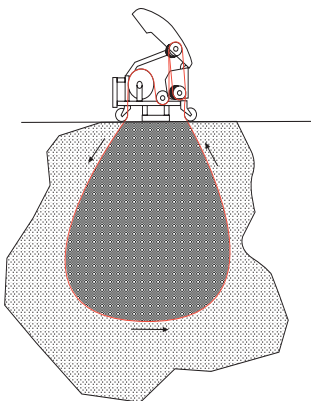
## Montaje / instalación del equipo

Antes de montar la sierra hay que planificar cuidadosamente el corte para poder realizarlo de la forma más sencilla posible.

Husqvarna CS 2512 se puede montar para hacer cortes horizontales o verticales. La sierra se monta vertical para hacer cortes verticales.



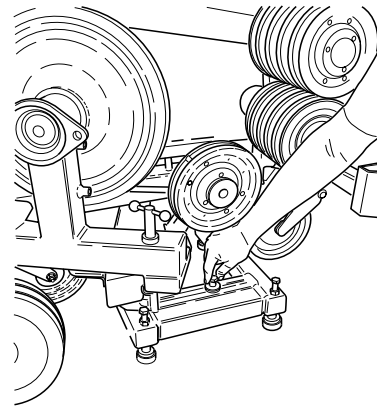
La sierra se monta yacente para hacer cortes a la altura del suelo y para cortes en el suelo.



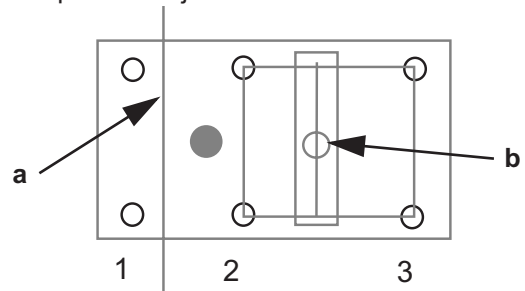
En caso necesario, taladre agujeros para insertar el cable a través del material que se va a cortar.

Coloque la sierra de forma adecuada frente al corte planificado. Cuando la sierra esté colocada, fíjela apretándola con un perno de anclaje.

Cuando la sierra esté fijada en el suelo, enrosque las patas de ajuste para que la sierra quede firme.



Tenga en cuenta que el centro de gravedad de la máquina (el círculo gris) está entre el primer y segundo par de patas de ajuste (los pares de patas de ajuste tienen las marcas 1-3) para cortes yacentes (a). Para hacer cortes debajo de la máquina es importante anclarla bien con el perno de anclaje (b) dado que hay que usar los pares de patas de ajuste 2 y 3. (El par de patas de ajuste 1 apoyará eventualmente la parte cortada.) Si la sierra no está bien anclada, volcará cuando se suelte el material que soporta el par de patas de ajuste 1



En caso necesario, montar ruedas de retorno para facilitar el corte. Utilizando ruedas de retorno se puede reducir el número de esquinas agudas por las que pasa el cable, con lo que éste se desgasta menos y además es más fácil arrancar la sierra. Utilizando ruedas de retorno también se puede guiar el cable en diferentes direcciones sin necesidad de mover la unidad de sierra.

Utilice también ruedas de retorno para captar el cable al terminar el corte.



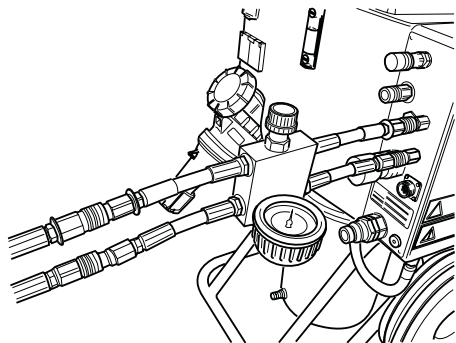
### ¡ADVERTENCIA!

**Coloque siempre la sierra de forma que usted pueda situarse sin riesgo de que le toque un cable cortado. Asegúrese también de impedir la presencia en la zona de trabajo de personas ajenas al trabajo durante el corte. El impacto de un cable cortado comporta peligro de muerte o daños personales graves.**

## Conexión en el equipo hidráulico

Cuando la sierra esté adecuadamente montada, hay que conectarla a un equipo hidráulico. Husqvarna CS 2512 está diseñada para ser empleada junto con Husqvarna PP 455 o Husqvarna RC 455.

1. Compruebe que el equipo hidráulico está conectado a corriente.
2. Conecte el agua refrigerante en el motor del equipo hidráulico.
3. Compruebe que el display del mando a distancia muestra "CONECTAR CONJUNTO MANGUERAS". De no ser así, siga las instrucciones del manual de instrucciones de PP 455E o RC 455.
4. Monte las dos mangueras hidráulicas gruesas primero en el equipo hidráulico y después en las conexiones del motor de la sierra. Fije las conexiones girando el manguito del acoplamiento hembra para apartar la ranura de la bola.
5. Monte el bloque de reducción de presión en el equipo hidráulico siguiendo las instrucciones en el bloque.
6. Conecte dos de las mangueras hidráulicas finas en el bloque de reducción de presión. La manguera del conjunto de mangueras que está marcada con una arandela roja en el acoplamiento se debe conectar en la manguera del bloque de reducción de presión que también tiene arandela.



Fije las conexiones girando el manguito del acoplamiento hembra para apartar la ranura de la bola.

7. Monte las dos mangueras conectadas en el bloque de reducción de presión en las mangueras del cilindro de alimentación de la sierra. La manguera del conjunto de mangueras que está marcada con una arandela roja en el acoplamiento se debe conectar en la manguera de la sierra que también tiene arandela.
8. Conecte la manguera de agua en la entrada de agua de la sierra.

Si los acoplamientos se atascan al montar, hay que soltarlos totalmente antes de volver a montarlos.

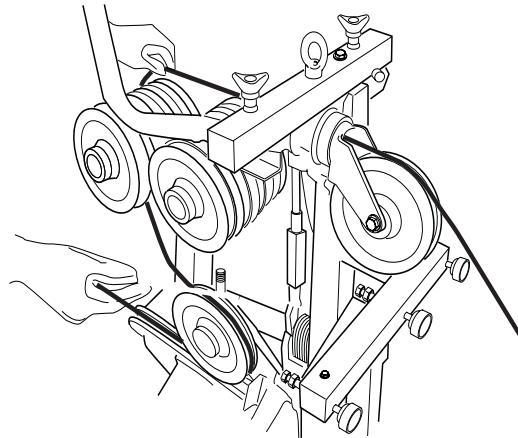
Procurar que los acoplamientos de las mangueras que no se utilizan no toquen directamente en el suelo.

Mantenga siempre los acoplamientos lo más limpios posible. Un acoplamiento limpio dura más.

## Colocación del cable

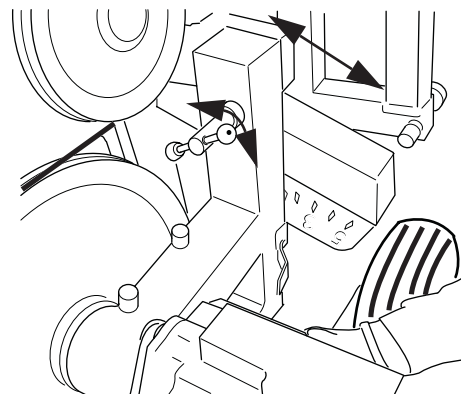
Para facilitar el montaje del cable se puede sacar fácilmente la protección. A continuación coloque el cable de esta forma:

1. Compruebe que el depósito está en posición mínima.
2. Coloque el cable alrededor de la pieza de trabajo; en caso necesario a través de agujeros taladrados, y de vuelta a la sierra.
3. Inserte el cable en el agujero de la rueda articulada y alrededor de un número adecuado de pares de ruedas en el depósito.



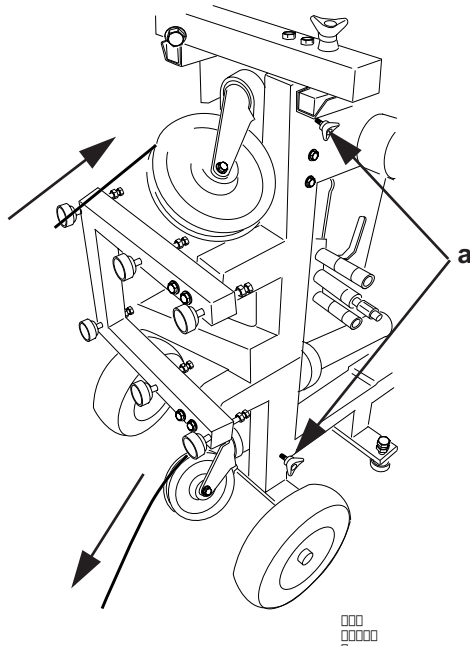
4. Ajuste la unidad de rueda motriz según el número de pares de ruedas que se utilizan en el depósito:  
Suelte el brazo girando la manija a izquierdas. A continuación gire la unidad de rueda motriz para que el brazo quede alineado con las marcas de la sierra. Luego fije la unidad de rueda motriz girando de vuelta la manija.

Normalmente sólo se utiliza un par de ruedas al iniciar el corte.

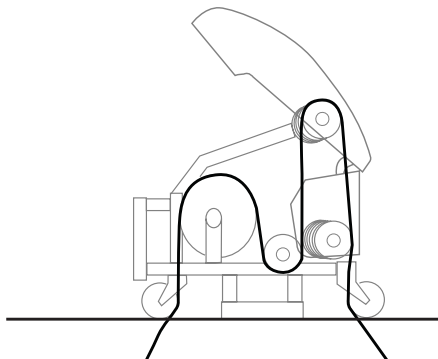


□□□□□□□□

- Coloque el cable alrededor de la rueda motriz y a través del agujero de la otra rueda articulada. La rueda articulada se puede girar y fijar en la posición deseada apretando con la manija marcada (a).



- Antes de unir los empalmes del cable, hay que retorcer el cable 1 ó 2 vueltas por metro de cable utilizado. Es importante retorcer el cable en el mismo sentido en que es torsionado. Esto se hace para que el desgaste en los segmentos de diamante del cable sea lo más regular posible.
- Fijar la unión de cable con un pasador. Si el cable no tiene casquillos extremos, hay que enroscar estos casquillos. Para ello se utilizan unos alicates para cable especiales. Si usted no está seguro sobre el modelo que ha de usar, consulte con su distribuidor de Husqvarna.
- Si el cable está correctamente trazado, debe basar por la máquina igual que en la figura abajo:



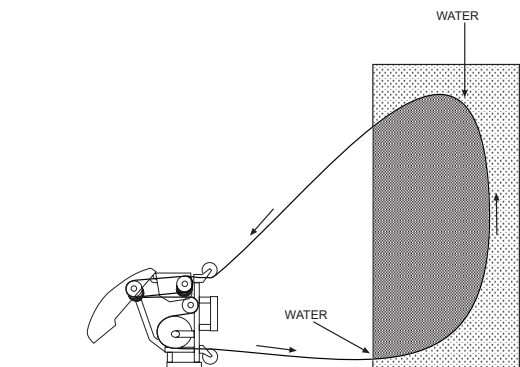
**¡ATENCIÓN!**

Para no crear desgaste innecesario, un cable usado debe accionarse siempre en la direc-

ción en que ha sido utilizado anteriormente.

**Ubicación del agua refrigerante**

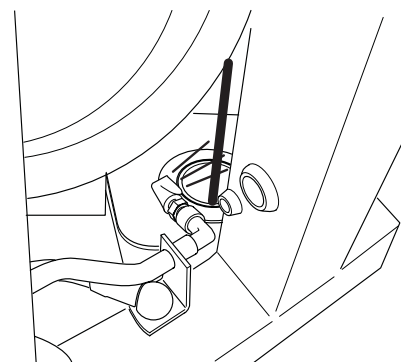
Husqvarna CS 2512 tiene dos tomas para agua refrigerante. Es adecuado acoplar en ellas una lanza de agua Husqvarna. Posteriormente la lanza de agua se coloca en la entrada del cable en el hormigón. De este modo el cable arrastra el agua al interior del corte, con lo que se liga el polvo de hormigón y el cable es enfriado eficazmente.



**¡ATENCIÓN!**

Para que el agua enfríe el cable debidamente durante el corte, es necesario ajustar la posición del agua refrigerante a medida que se va cortando material. Acuérdesse de parar siempre la máquina para hacer este ajuste.

Además del agua refrigerante de la lanza de agua, el cable es lavado junto a las dos ruedas articuladas de la máquina. Así se mantiene el cable lo más limpio posible, con lo que la sierra puede trabajar con menos pérdidas por fricción y mayor rendimiento debido a que el cable está más limpio.



□□□□□□

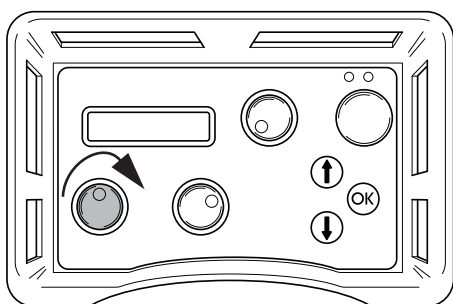


## Manejo

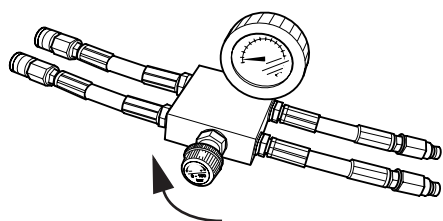
### Corte

Cuando estén instalados todos los equipos, se puede empezar a cortar. Procedimiento de puesta en marcha de la sierra para obtener una eficacia de corte óptima:

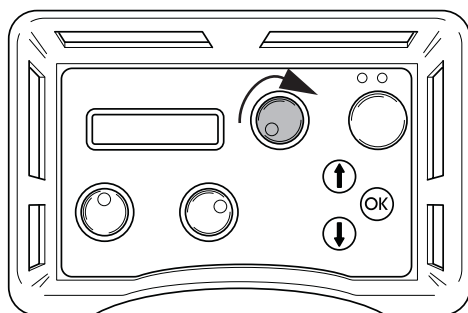
1. Cierre la válvula del bloque de reducción de presión girando la manija a izquierdas hasta el tope y a continuación dos vueltas hacia atrás.
2. Ponga en marcha el equipo hidráulico.
3. Ajuste al máximo el flujo de alimentación del equipo girando a derechas la manija del mando a distancia.



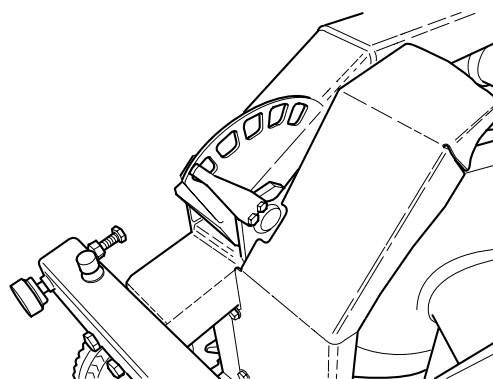
4. Tense el cable girando con cuidado la manija del bloque de reducción de presión a derechas hasta que la tensión del cable sea la justa. Controle constantemente que el cable esté bien colocado en todas las ruedas de la sierra.



5. Arranque la rotación del motor girando a derechas la manija de contrarrotación del mando a distancia.



6. Incremente con cuidado el régimen del motor girando la manija de contrarrotación. La presión de trabajo adecuada para el corte es normalmente de 100 y 130 bar pero varía dependiendo del número de pares de ruedas que se utilizan en el depósito, de la cantidad de cable acoplado y de la dureza del material que se corta.
7. La presión de trabajo baja a medida que se va cortando material (lo que se muestra en el display) y hay que tensar el depósito. Tense girando a derechas la manija del bloque de reducción de presión.
8. La tensión del depósito es mostrada por un indicador en la máquina (en la figura, en posición mínima). Cuando el cilindro del depósito está totalmente tensado, hay que parar la máquina y colocar el cable alrededor de un nuevo par de ruedas. Luego, prosiga según lo indicado arriba.



#### ¡ATENCIÓN!

Para que el agua enfríe el cable debidamente durante el corte, es necesario ajustar la posición del agua refrigerante a medida que se va cortando material. Acuérdesse de parar siempre la máquina para hacer este ajuste.

### Finalización del corte

1. Reduzca la velocidad del cable y deje que el motor se pare totalmente.
2. Pliegue el brazo del depósito.
3. Desconecte el cable eléctrico entrante del equipo hidráulico.
4. Desacople las mangueras hidráulicas y la manguera de agua de la unidad de sierra.
5. Las demás medidas se hacen en orden inverso.

## Limpieza

Después de cortar hay que limpiar la sierra. Es importante limpiar todo el equipo. Para lavar la sierra se recomienda desacoplar la manguera de agua del brazo oscilante y emplearla para limpiar la unidad de sierra. En caso necesario también puede ser útil emplear un cepillo lavavajillas o similar para la limpieza del equipo. No utilice lavado a alta presión para limpiar la unidad de sierra.

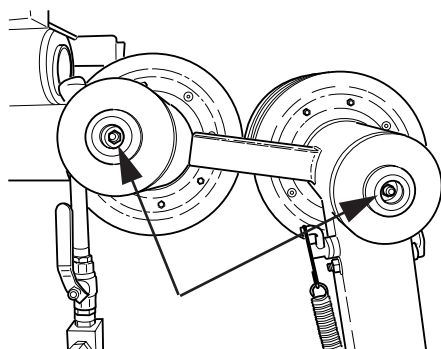
## Mantenimiento

Además de las medidas de mantenimiento diario como la limpieza y lubricación, hay que hacer el servicio de la máquina. Después de 50 horas de corte hay que llevar la máquina a un taller autorizado de Husqvarna para hacer el servicio. Posteriormente, el servicio se hace cada 100 horas de funcionamiento. El servicio es importante para el usuario disponga de una máquina que funcione con la mayor eficacia posible durante largo tiempo.

## Lubricación

Para que el cable se mueva con la menor fricción posible, los ejes del depósito deben estar llenos de grasa. Por consiguiente, llene los cables con grasa cada 5 ó 10 horas de funcionamiento. Utilice grasa Canadian Petroleum OG2 o equivalente.

También es necesario lubricar regularmente los cojinetes de los ejes del depósito, aunque no con la misma frecuencia que los ejes del depósito.



# Français

## Sommaire

<b>Explication des symboles</b> .....	<b>43</b>
<b>Consignes de sécurité</b> .....	<b>45</b>
<b>Introduction</b> .....	<b>47</b>
<b>Quels sont les composants?</b> .....	<b>49</b>
<b>Caractéristiques techniques</b> .....	<b>51</b>
<b>Montage/Installation de l'équipement</b> .....	<b>53</b>
Raccordement au groupe hydraulique .....	54
Enfiler le câble .....	54
Placement de l'eau de refroidissement.....	55
<b>Utilisation</b> .....	<b>57</b>
Sciage .....	57
Terminer le sciage .....	57
Nettoyage.....	58
Entretien .....	58





## Explication des symboles

Les symboles ci-dessous apparaissent sur la machine et dans son manuel. Pour pouvoir travailler en toute sécurité avec la machine, il est important que l'utilisateur en comprenne la signification.

### Livre

Lisez attentivement et assimilez le manuel d'utilisation avant de démarrer la machine.



### Équipement de protection

Utilisez toujours:

- Casque de protection homologué.
- Protecteurs d'oreilles homologués.
- Lunettes de protection ou visière homologuées, et tout autre équipement de protection nécessaire.



### Avertissement

Un grand triangle d'avertissement portant la mention « Avertissement » signifie la présence d'un risque de blessures personnelles graves, voire de mort.



### Attention

Un petit triangle d'avertissement portant la mention « Attention » signifie la présence d'un risque de blessures personnelles mineures ou d'endommagement de la machine.



### Remarque

Une main à l'index tendu avec la mention « Remarque » signifie que l'instruction décrite requiert une attention toute particulière.



### CE

Ce symbole indique que la machine est conforme aux directives européennes en vigueur.





## Consignes de sécurité

Lors de la conception et de la production des produits Husqvarna, un soin particulier a été apporté à la sécurité des machines, outre leur efficacité et leur simplicité d'utilisation. Pour que la machine demeure de toute sécurité, les points suivants doivent être respectés:



### AVERTISSEMENT!

**Cette machine est uniquement destinée à être utilisée avec Husqvarna PP 455E ou un groupe raccordé à Husqvarna RC 455. Toute autre utilisation est interdite.**



### ATTENTION

Il est formellement interdit de démarrer la machine si les consignes de sécurité n'ont pas été respectées. Si l'utilisateur ne respecte pas ces consignes, Husqvarna Construction Products Sweden AB ou son représentant n'assument aucune responsabilité, directe ou indirecte. Lisez ce manuel d'utilisation et assimilez-en bien le contenu avant de commencer à utiliser la machine. N'utilisez pas la machine si, après avoir lu ces consignes de sécurité, vous avez encore des doutes concernant les risques pour la sécurité. Contactez votre revendeur pour obtenir de plus amples informations.

- Contrôlez que tous les raccords, connexions et tuyaux hydrauliques sont intacts.
- Vérifiez que les tuyaux sont correctement connectés à la machine avant de la démarrer.
- Veillez à ce qu'aucune personne ni aucun animal ne se trouve dans la zone de travail.
- Contrôlez que les protections ne sont pas endommagées et qu'elles sont montées correctement.
- Ne sciez jamais sans utiliser les protections.
- Ne débranchez jamais les tuyaux hydrauliques avant d'avoir arrêté l'unité hydraulique et avant que le moteur ne se soit complètement arrêté.
- Contrôlez tous les jours que la machine, les raccords et les tuyaux hydrauliques ne présentent pas de fuites. Toute fissure ou fuite risque d'entraîner une « injection d'huile » dans le corps ou de causer une blessure corporelle grave.
- Ne dépassez pas le débit et la pression d'huile recommandés pour l'outil utilisé. Une pression trop élevée peut causer des fissures.
- Ne maltraitez pas les tuyaux.
- N'utilisez pas les tuyaux s'ils sont tordus, usés ou abîmés.
- Contrôlez que les tuyaux sont raccordés correctement à la machine et que les raccords hydrauliques se verrouillent comme prévu avant de mettre le système hydraulique sous pression. Pour verrouiller les raccords, tournez la douille extérieure du raccord femelle afin que la rainure s'éloigne de la boule.
- Maintenez les tuyaux hydrauliques et les raccords propres.
- Arrêtez toujours le courant vers le groupe hydraulique avant de déplacer l'équipement.
- Sciez toujours de manière à toujours avoir un accès facile au bouton d'arrêt d'urgence.
- Ne laissez jamais la machine sans surveillance avec le moteur en marche.
- Avant le sciage, toutes les entailles doivent être marquées clairement et planifiées de manière à pouvoir être effectuées sans danger pour les personnes ou la machine.
- À l'aide de schémas de construction contrôler la présence éventuelle dans la zone de travail de câbles électriques, conduites d'eau ou de gaz ou conduites d'évacuation.
- Contrôlez toujours et marquez les emplacements des conduites de gaz. Scier près d'une conduite de gaz est toujours synonyme de danger. Veillez à éviter la formation d'étincelles lors du sciage en raison d'un certain risque d'explosion. L'opérateur doit toujours être attentif et concentré sur son travail. La négligence peut causer des blessures personnelles graves voire mortelles.
- Contrôlez que les câbles électriques présents dans la zone de travail ne sont pas sous tension.
- Quand des outils hydrauliques sont utilisés sur ou près de lignes électriques, utilisez des tuyaux marqués et agréés comme « non conducteurs d'électricité ». L'utilisation d'autres tuyaux peut résulter en des blessures personnelles graves voire mortelles.
- Faites preuve de prudence en cas de levage. Le maniement de pièces lourdes implique un risque de coinçage ou autre blessure.
- Utilisez toujours un équipement de protection personnelle et des vêtements de protection conformément aux instructions du manuel d'utilisation. N'utilisez pas de vêtements risquant de se coincer dans les pièces mobiles de la machine.
- Utilisez uniquement du câble recommandé par le fabricant.
- Ne sciez jamais sans utiliser l'eau de refroidissement. Un câble mal refroidi risque d'entraîner une surchauffe des segments, ce qui cause une usure prématurée. Au pire, les segments risquent de se détacher du câble et de blesser les personnes se trouvant à proximité de la scie.



## Introduction

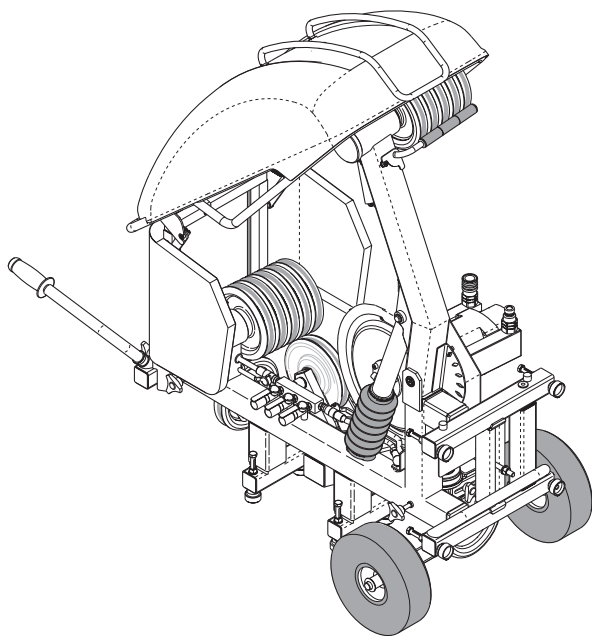
Husqvarna CS 2512 est conçue pour être utilisée avec le groupe hydraulique PP 455 E ou Husqvarna RC 455. Husqvarna CS 2512 est une scie à câble puissante et facile à utiliser présentant une très grande capacité tout en étant suffisamment compacte et mobile pour convenir aux travaux de petite envergure. Elle peut être utilisée de nombreuses manières, sur le sol ou montée sur un mur.

La conception soigneusement étudiée de CS 2512, où la roue d'entraînement est placée du côté sortie de la machine, permet au câble d'être toujours tendu même lorsque la puissance de la machine est faible. Ceci, associé à la vanne de pression réglable, permet un contrôle précis du sciage et un niveau de performances supérieur.

Le magasin peut être utilisé en position verticale ou horizontale et de nombreuses entailles peuvent être sciées directement sans roues de cisaillement externes.

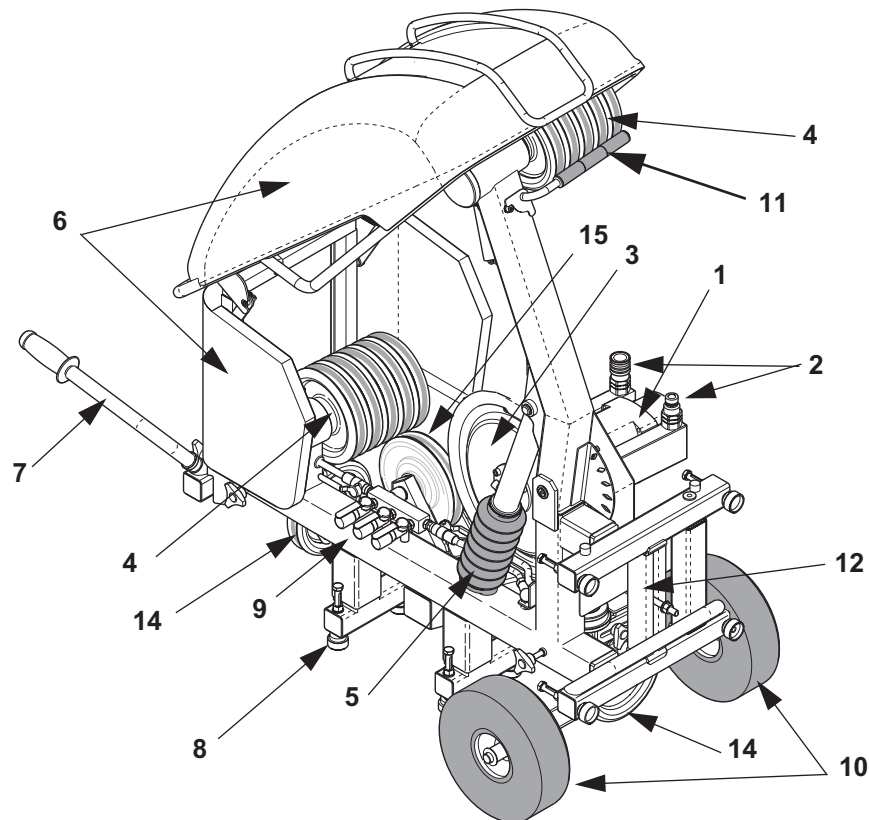
Un équipement de sciage complet est constitué de :

- 1 unité de sciage
- 1 boîte d'accessoires
- 1 clé de 18 mm
- 1 bloc de réduction de pression
- 1 caoutchouc d'usure supplémentaire pour les roues du magasin
- 1 brosse de nettoyage





## Quels sont les composants?



La scie est constituée des composants suivants :

### 1. Moteur hydraulique

La machine est entraînée par un moteur de 60 cm<sup>3</sup>. Le moteur comporte deux parties, une de 50 cm<sup>3</sup> et une plus petite de 10. Utiliser uniquement le grand moteur ou le grand et le petit ensemble permet d'obtenir deux vitesses. Ces deux vitesses produisent différents régimes mais la même puissance.

### 2. Raccordements des flexibles hydrauliques

Le débit d'huile hydraulique dans les deux tuyaux épais entraîne le moteur de la machine et donc le câble. Le débit dans les deux tuyaux fins entraîne le cylindre du magasin.

### 3. Roue d'entraînement

Transmet la puissance d'entraînement du moteur au câble. La roue d'entraînement a un diamètre de 400 mm et est recouverte de caoutchouc remplaçable pour offrir une prise optimale entre la roue d'entraînement et le câble.

La roue d'entraînement, le moteur hydraulique et les raccords hydrauliques constituent **l'unité de roue d'entraînement**. L'unité de roue d'entraînement se règle en fonction du nombre de paires de roues utilisées dans le magasin et se démonte facilement pour alléger la machine lors du transport.

### 4. Magasin à câble

Tend le câble et stocke le câble rentré. Le magasin à câble peut stocker au maximum 12 mètre de câble (2,4 mètres par paire de roues).

### 5. Cylindre du magasin

Le cylindre du magasin tend le câble dans le magasin et contrôle donc la progression. Le réglage de la pression du cylindre s'effectue à l'aide du bloc de réduction de pression monté sur PP 455E ou RC 455.

### 6. Protection

La machine comporte une protection en deux parties : une partie fixe en tôle et un carter rabattable en plastique et métal. La protection se retire facilement, par exemple pour enfile le câble, mais elle doit toujours être en place pendant le sciage.

### 7. Poignée de levage

La poignée rabattable est un élément extrêmement utile lors du déplacement de la machine.

### 8. Pied de réglage

Se règle de manière à assurer la stabilité de la scie. La scie comporte au total 10 pieds, six pour les entailles horizontales et quatre pour la position horizontale.

## 9. Raccords d'eau de refroidissement

La machine comporte deux raccords pour la lance d'eau et un raccord pour l'eau d'admission. Ces raccords permettent de refroidir le câble, qui est également aspergé par de petites buses à l'endroit où il pénètre dans la machine et où il quitte la machine.

## 10. Roues en caoutchouc

Pour faciliter le transport. Ces roues peuvent facilement être démontées pour faciliter l'accessibilité pour certains travaux. Il suffit pour cela de dévisser la goupille qui verrouille les roues sur l'essieu.

## 11. Barre de câble

Maintient le câble contre le magasin lorsque le magasin est rassemblé. Ceci permet d'éviter d'emmêler le câble lorsqu'il n'est pas tendu, par exemple lors du remplacement du câble ou lors du changement du nombre de roues utilisées dans le magasin.

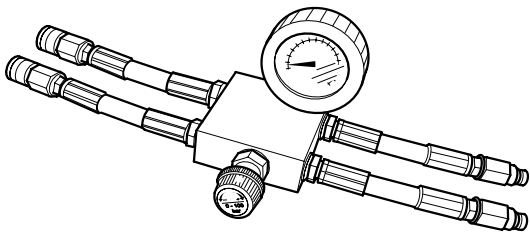
## 12. Poutre d'ancrage

Poutre réglable avec une rainure dans le sens de la longueur. En déplaçant latéralement la poutre, il est possible de placer le boulon d'ancrage à l'endroit approprié sans qu'il soit nécessaire de déplacer la scie entière lorsqu'elle doit être fixée avant le sciage.

Une deuxième poutre d'ancrage est placée sous la scie. Le boulon d'ancrage se fixe dans cette poutre en cas d'entailles horizontales.

## 13. Bloc de réduction de pression

Le bloc de réduction de pression se monte entre le groupe hydraulique et les tuyaux hydrauliques pour l'alimentation. Le bloc de réduction de pression comporte une valve permettant de contrôler la tension du magasin.



## 14. Roues d'articulation

Les roues d'articulation à roulements à bille sont placées aux endroits où le câble pénètre dans la scie et en sort. Les roues d'articulation aident à guider le câble afin que sa position dans la scie soit correcte. Elles peuvent être verrouillées en position fixe ou utilisées en position non verrouillée pour que les roues puissent mieux suivre le câble.

## 15. Roue de guidage

Guide le câble du magasin jusqu'à la roue d'entraînement.

Lors du réglage de l'unité de roue d'entraînement, la roue de guidage se règle automatiquement en fonction du nombre de roues de magasin utilisées.

## Accessoires

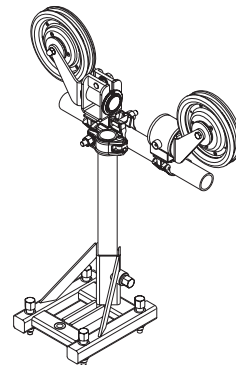
### 1. Lance à eau

Se raccorde aux connexions d'eau de la scie et s'utilise pour conduire l'eau de refroidissement dans l'entaille afin de refroidir le câble et de lier la poussière de béton.



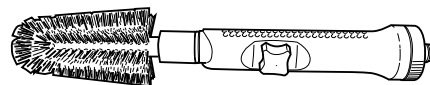
### 2. Roues de cisaillement

Les roues de cisaillement Husqvarna sont conçues pour guider en souplesse le câble aussi efficacement que possible. L'utilisation de roues de cisaillement permet de minimiser le nombre d'angles tranchants, ce qui permet de concentrer plus de puissance de sciage sur le matériau.



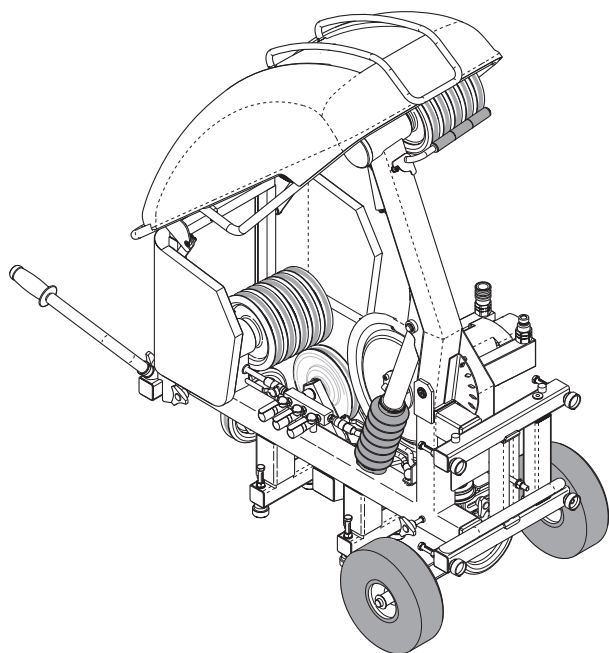
### 3. Brosse de nettoyage

Peut être raccordée au tuyau d'eau et est idéale pour nettoyer la machine après l'utilisation.





## Caractéristiques techniques



Puissance de la roue d'entraînement (avec PP 455) :	20 kW
Débit d'huile hydraulique :	65l/min ( 17 gal/min)
Pression hydraulique max. autorisée	230 bars(3400 psi)
Pression hydraulique max. recommandée lors du sciage :	130 bars (1900 psi)
Longueur de câble maximale dans le magasin :	12 m (2,4 m/paire de roues)
Dimensions, poignée repliée et protection abaissée (LxlxH)	1150x750x980 mm
Poids :	150 kg ( 330lbs)
Vitesse du câble, rapport 1	20 m/s (66 ft/s)
Vitesse du câble, rapport 2	25 m/s (82 ft/s)



### AVERTISSEMENT !

**La machine ne doit en aucun cas être modifiée sans l'autorisation écrite de Husqvarna Construction Products Sweden AB. Les modifications non autorisées risquent de blesser gravement ou mortellement l'utilisateur ou d'autres personnes. Husqvarna Construction Products Sweden AB n'assume aucune responsabilité pour une utilisation ne respectant pas ces consignes.**

## Câbles recommandés :

Husqvarna recommande d'utiliser les câbles suivants :

- Husqvarna C710C  
Husqvarna C710C est un câble galvanisé conçu pour être utilisé lors du sciage dans du béton avec une armature importante. Les segments présentent une grande quantité de diamant et un diamètre moindre (9,5 mm), ce qui permet une grande efficacité de sciage. Le diamètre moindre permet également d'utiliser C710C pour la finalisation d'entailles difficiles.
- Husqvarna C750C  
Husqvarna C750C est un câble polyvalent conçu pour être utilisé lors du sciage dans du béton armé. Ce câble est conçu pour être utilisé avec des scies présentant une puissance comprise entre 10 et 25 kW.
- Husqvarna C760C  
Ceci est le câble supérieur Husqvarna : longue durée de vie, haute vitesse de coupe et résistance de puissance élevée en sont les principales qualités. Husqvarna C760C peut être utilisé pour le sciage dans tous les types de béton armé, même pour des travaux entraînant de grandes contraintes pour le câble, par exemple le sciage de ponts.
- Husqvarna C790C  
Grâce à la dureté de ses segments, Husqvarna C790C est le choix idéal pour le sciage de matériaux mous, par exemple du mortier ou du béton calcaire légèrement armé.
- Husqvarna C575J  
Husqvarna C575J est un câble avec des segments galvanisés de 15 mm.
- Husqvarna C1200M  
Husqvarna C1200M est un câble conçu pour être utilisé pour le sciage d'acier. Ce câble a été conçu pour une utilisation dans des situations extrêmement exigeantes. L'utilisation de la technique d'agglomération la plus récente offre d'énormes avantages en termes de vitesse de coupe et de durée de vie. Ce câble peut être livré avec des extrémités jointes ou libres.

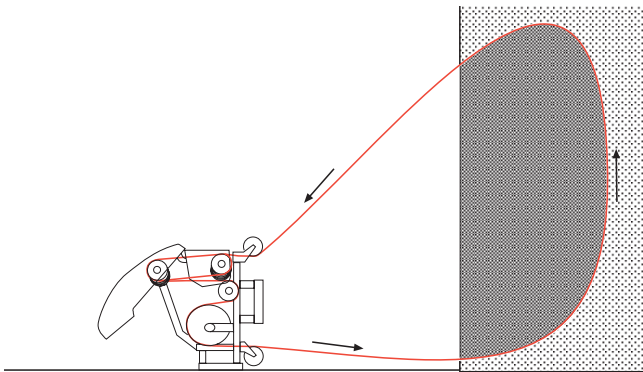
Pour plus d'informations sur les différents outils Husqvarna, contactez votre revendeur Husqvarna.



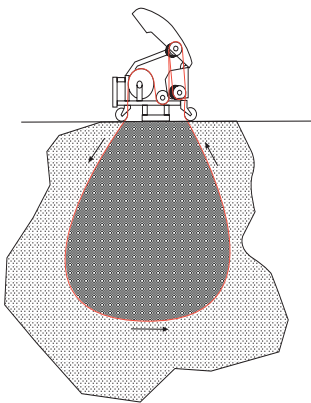
## Montage/Installation de l'équipement

Avant de monter la scie, le sciage doit être planifié soigneusement afin de pouvoir être effectué le plus simplement possible.

Husqvarna CS 2512 peut être montée pour scier des entailles horizontales ou verticales. La scie doit être montée en position verticale pour scier des entailles verticales.



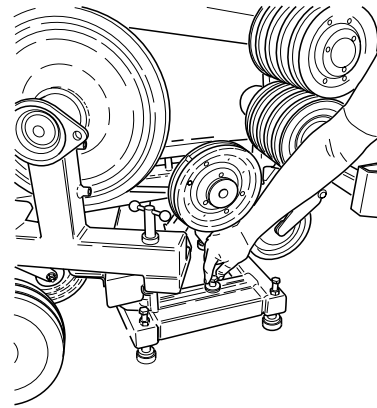
La scie doit être montée en position horizontale pour scier des entailles à hauteur du sol ou dans le sol.



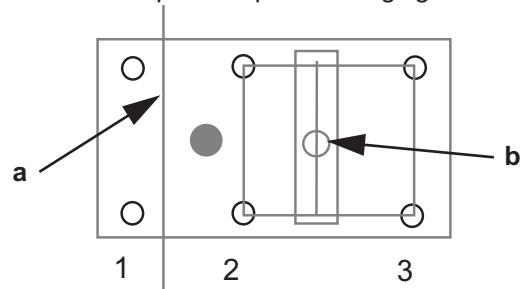
Si nécessaire, percez des trous pour faire passer le câble à travers le matériau à scier.

Placez la scie de manière appropriée devant l'entaille planifiée. Lorsque la scie est en place, fixez-la en la vissant avec un boulon d'ancrage.

Lorsque la scie est boulonnée au sol, abaissez les pieds de réglage de manière à ce que la scie soit stable.



N'oubliez pas que le centre de gravité de la scie (le cercle gris) se trouve entre la première et la deuxième paire de pieds de réglage (les pieds de réglage sont marqués 1-3) en cas d'entailles horizontales (a). En cas d'entailles sous la machine, il est important de bien ancrer la scie à l'aide d'un boulon d'ancrage (b) car les paires de pieds de réglage 2 et 3 doivent être utilisées. (La paire de pieds de réglage 1 repose éventuellement sur la partie à scier). Si la scie n'est pas correctement ancrée, elle se renversera lorsque le matériau maintenant la paire de pieds de réglage 1 se détachera.



Si nécessaire, montez des roues de cisaillement pour faciliter le sciage. L'utilisation de roues de cisaillement permet de minimiser le nombre d'angles tranchants autour desquels le câble doit passer, ce qui permet de réduire l'usure du câble tout en facilitant le démarrage de la scie. L'utilisation de roues de cisaillement permet également de déplacer le câble dans différentes directions sans avoir besoin de déplacer l'unité de sciage.

Utilisez également des roues de cisaillement pour attraper le câble à la fin du sciage.



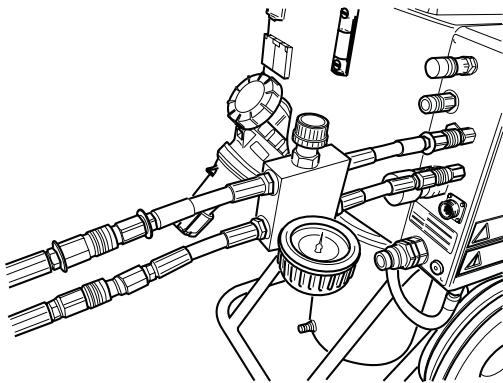
### AVERTISSEMENT!

**Placez toujours la scie de manière à pouvoir vous tenir dans une position où vous ne risquez pas d'être atteint par un câble rompu. Assurez-vous également que des personnes non autorisées ne risquent pas de pénétrer dans la zone de travail pendant le sciage. Être atteint par un câble rompu peut entraîner la mort ou de graves blessures corporelles.**

## Raccordement au groupe hydraulique

Lorsque la scie est correctement montée, elle doit être raccordée à un groupe hydraulique. Husqvarna CS 2512 est conçue pour être utilisée avec Husqvarna PP 455 ou Husqvarna RC 455.

1. Contrôlez que le groupe hydraulique est connecté au courant.
2. Raccordez l'eau de refroidissement au moteur sur le groupe hydraulique.
3. Contrôlez que l'écran de la commande à distance affiche « CONNEXION TUYAUX ». Si ce n'est pas le cas, suivez les instructions indiquées dans les manuels d'utilisation de PP 455E ou RC 455.
4. Commencez par monter les deux tuyaux hydrauliques épais sur le groupe, puis sur les raccords du moteur de scie. Verrouillez les raccords en tournant la douille du raccord de manière à ce que la rainure s'éloigne de la boule.
5. Montez le bloc de réduction de pression sur le groupe hydraulique conformément aux instructions du bloc.
6. Raccordez deux des tuyaux hydrauliques fins au bloc de réduction de pression. Le tuyau de l'ensemble de tuyaux qui est marqué d'une rondelle rouge au niveau du raccord doit être raccordé au tuyau du bloc de réduction de pression qui est également pourvu d'une rondelle.



Verrouillez les raccords en tournant la douille du raccord de manière à ce que la rainure s'éloigne de la boule.

7. Montez les deux tuyaux qui ont été raccordés au bloc de réduction de pression aux tuyaux du cylindre d'alimentation de la scie. Le tuyau de l'ensemble de tuyaux qui est marqué d'une rondelle rouge au niveau du raccord doit être raccordé au tuyau de la scie qui est également pourvu d'une rondelle.
8. Raccordez le tuyau d'eau à l'eau d'admission sur la scie. Si les raccords grippent lors du montage, débranchez-les complètement puis remontez-les.

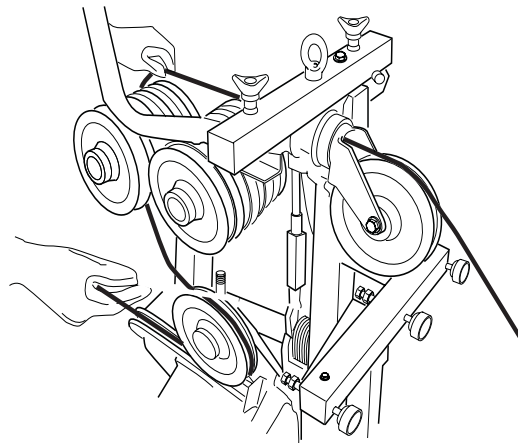
Veillez à ce que les raccords des tuyaux non utilisés ne reposent pas directement sur le sol.

Maintenez toujours les raccords aussi propres que possible. Un raccord propre dure plus longtemps.

## Enfiler le câble

La protection peut être retirée pour faciliter le montage du câble. Enfilez ensuite le câble de la manière suivante :

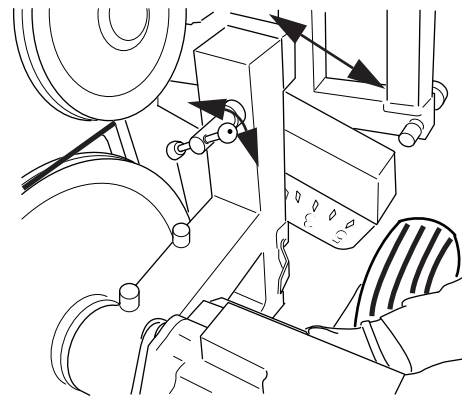
1. Vérifiez que le magasin est en position min.
2. Placez le câble autour de la pièce à travailler, en le passant éventuellement à travers des trous pré-perçés pour ensuite le faire revenir vers la scie.
3. Enfilez le câble à travers le trou au niveau de la roue d'articulation et autour du nombre approprié de paires de roues dans le magasin.



4. Réglez l'unité de roue d'entraînement en fonction du nombre de paires de roues utilisées dans le magasin :

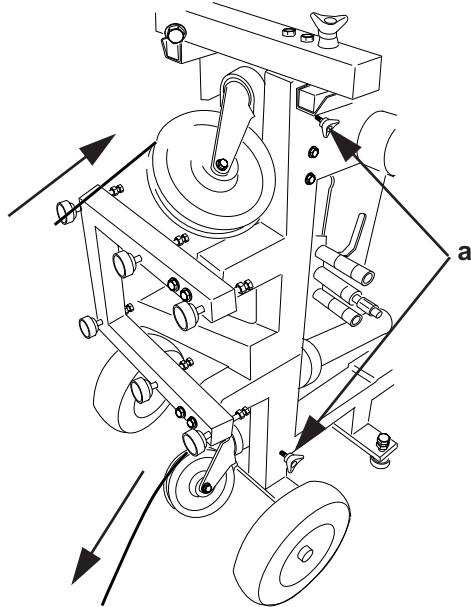
Dévissez le bras en tournant la poignée dans le sens contraire des aiguilles d'une montre. Tournez ensuite l'unité de roue d'entraînement de manière à ce que le bras soit aligné avec les marquages présents sur la scie. Puis verrouillez l'unité de roue d'entraînement en tournant la poignée jusqu'à sa position initiale.

En général, seule une paire de roues est utilisée au début du sciage.

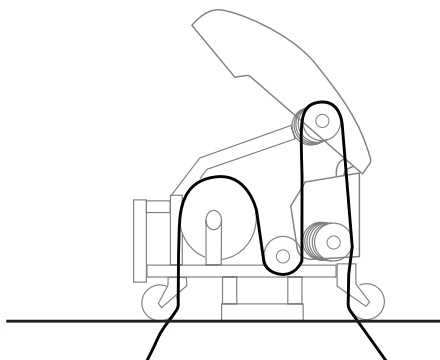


□□□□□□□□

5. Enfilez le câble autour de la roue d'entraînement et faites-le ressortir par le trou au niveau de la deuxième roue d'articulation. Il est possible de tourner et de verrouiller les roues d'articulation dans la position souhaitée en serrant les poignées marquées (a).



6. Avant d'assembler les jointures du câble, tordez le câble d'1 ou 2 tours par mètre de câble utilisé. Il est important de tordre le câble dans la direction de tissage afin d'obtenir une usure aussi égale que possible des segments en diamant du câble.
7. Verrouillez le câble à l'aide d'une goupille. Si le câble ne comporte pas de douilles d'extrémité, il faut en monter sur le câble. Pour cela, utilisez une pince à câble spéciale. En cas d'hésitation concernant le modèle à utiliser, contactez votre revendeur Husqvarna.
8. Si le câble est correctement monté, il doit maintenant se déplacer à travers la machine comme indiqué sur l'illustration ci-dessous :



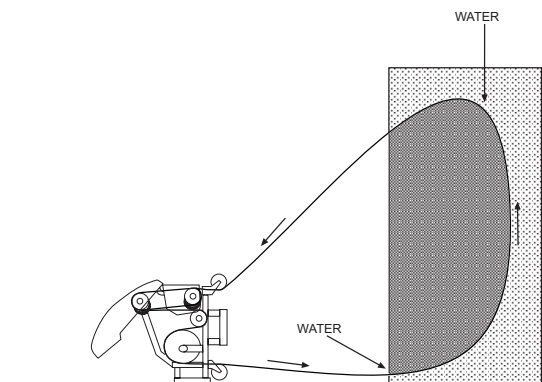
**ATTENTION**

Un câble utilisé doit toujours être déplacé dans la direction utilisée antérieurement afin

de minimiser l'usure.

**Placement de l'eau de refroidissement**

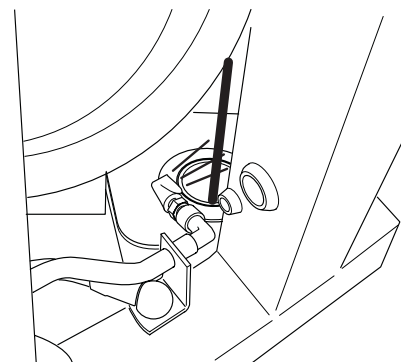
Husqvarna CS 2512 est équipée de deux prises pour l'eau de refroidissement. La lance à eau Husqvarna peut être raccordée à ces prises. La lance à eau se place ensuite à l'endroit où le câble pénètre dans le béton. De cette manière, l'eau pénètre dans l'entaille avec le câble, ce qui permet de lier la poussière de béton tout en refroidissant efficacement le câble.



**ATTENTION !**

Pour que l'eau puisse correctement refroidir le câble pendant le sciage, il est nécessaire de régler la position de l'eau de refroidissement à mesure que le sciage progresse. N'oubliez pas de toujours arrêter la machine pour effectuer ceci.

Le câble est aspergé par l'eau de refroidissement de la lance à eau, ainsi qu'au niveau des deux roues d'articulation de la machine. Ceci permet de maintenir le câble aussi propre que possible et donc d'utiliser la scie avec un minimum de pertes dues au frottement et une meilleure efficacité.



□□□□□□

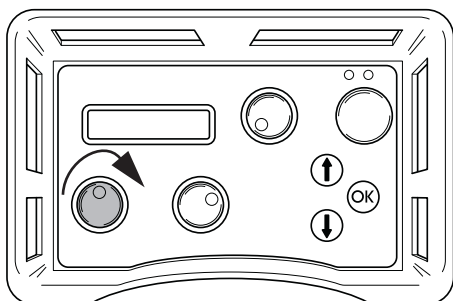


## Utilisation

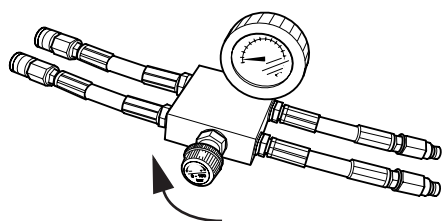
### Sciage

Lorsque tout l'équipement est monté, le sciage peut commencer. Pour que la scie fonctionne de manière optimale, elle doit être démarrée de la manière suivante :

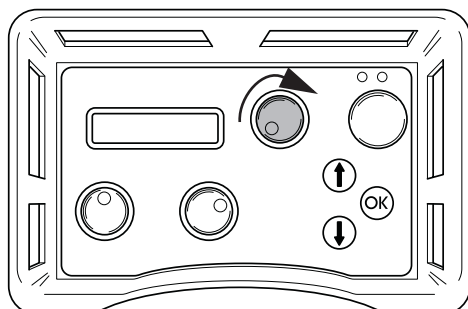
1. Fermez la vanne du bloc de réduction de pression en tournant le volant à fond dans le sens contraire des aiguilles d'une montre, puis de deux tours dans l'autre sens.
2. Démarrez le groupe hydraulique.
3. Réglez le débit d'alimentation du groupe sur max. en tournant la commande du boîtier de commande à distance dans le sens des aiguilles d'une montre.



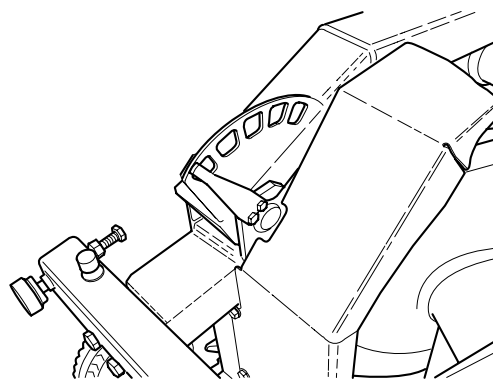
4. Tendez le câble en tournant prudemment le volant du bloc de réduction de pression dans le sens des aiguilles d'une montre jusqu'à ce que le câble soit correctement tendu. Veillez constamment à contrôler que le câble est en position correcte dans toutes les roues de la scie.



5. Démarrez la rotation du moteur en tournant dans le sens des aiguilles d'une montre la commande de rotation du moteur sur le boîtier de commande à distance.



6. Augmentez prudemment le régime du moteur en tournant la commande de rotation du moteur. La pression de travail recommandée pour le sciage est en générale entre 100 et 130 bar mais varie en fonction, par exemple, du nombre de paires de roues utilisées dans le magasin, de la quantité de câble en jeu et de la dureté du matériau à scier.
7. À mesure que le sciage progresse, la pression de travail diminue, ce qui est indiqué sur l'affichage, et le magasin doit être tendu. Effectuez ceci en tournant le volant du bloc de réduction de pression dans le sens des aiguilles d'une montre.
8. La tension du magasin est affichée par un indicateur sur la machine (en position min. sur l'illustration). Lorsque le cylindre du magasin est complètement tendu, la machine doit être arrêtée et le câble doit être enroulé autour d'une nouvelle paire de roues. Continuez ensuite le sciage comme décrit plus haut.



#### ATTENTION !

Pour que l'eau puisse correctement refroidir le câble pendant le sciage, il est nécessaire de régler la position de l'eau de refroidissement à mesure que le sciage progresse. N'oubliez pas de toujours arrêter la machine pour effectuer ceci.

### Terminer le sciage

1. Diminuez la vitesse du câble et laissez le moteur s'arrêter complètement.
2. Repliez le bras du magasin.
3. Débranchez les câbles électriques vers le groupe hydraulique.
4. Débranchez les tuyaux hydrauliques et le tuyau d'eau de l'unité de sciage.
5. Les autres étapes du démontage s'effectuent dans l'ordre inverse.

## Nettoyage

Une fois le sciage terminé, la scie doit être nettoyée. Il est important que tout l'équipement de sciage soit nettoyé. Il est recommandé de nettoyer la scie en débranchant le tuyau d'eau du bras pivotant et en l'utilisant pour rincer l'unité de sciage. Si nécessaire, on peut également utiliser la brosse de nettoyage fournie ou équivalente pour nettoyer l'équipement. Évitez d'utiliser de l'eau sous haute pression lors du nettoyage de l'unité de sciage.

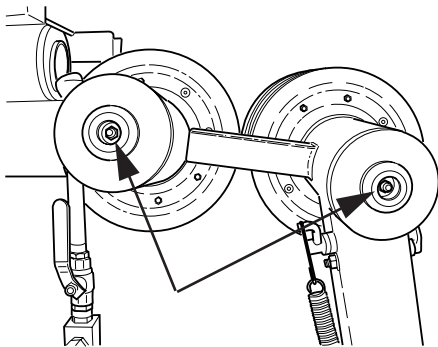
## Entretien

En plus des mesures quotidiennes telles que le nettoyage et la lubrification, la machine doit subir un entretien. Après 50 heures d'utilisation, la machine doit être portée à un atelier Husqvarna agréé pour entretien. La scie doit ensuite être subie un entretien toutes les 100 heures d'utilisation. L'entretien est important pour que l'utilisateur dispose d'une machine présentant un fonctionnement optimal et une longue durée de vie.

## Graissage

Pour que le câble se déplace avec un minimum de frottement, les arbres du magasin doivent être remplis de graisse. Refaites donc le plein de graisse toutes les 5 ou 10 heures de fonctionnement. Utilisez de la graisse Canadian Petroleum OG2 ou équivalente.

Les paliers des arbres du magasin doivent également être lubrifiés régulièrement mais moins souvent que les arbres du magasin.





# Português

## Índice

**Significado dos símbolos 61**

**Instruções de segurança 63**

**Introdução 65**

**Como se chama 67**

**Dados técnicos 69**

**Montar / Instalar o equipamento 71**

Ligação à unidade hidráulica 72

Enfiar o fio 73

Colocação da água de arrefecimento 74

**Procedimento 75**

Serragem 75

Terminar a serragem 75

Limpeza 76

Manutenção 76



## Significado dos símbolos

Os símbolos seguintes encontram-se na máquina e no respectivo manual. Para se poder trabalhar com segurança com a máquina, é importante que o utilizador compreenda o significado dos mesmos.

### Manual

Leia as instruções de operação com toda a atenção e compreenda o seu conteúdo antes de pôr a máquina a funcionar.



### Equipamento de segurança

Usar sempre:

- Capacete de protecção aprovado.
- Protectores auriculares aprovados.
- Óculos de protecção ou viseira aprovados e outro equipamento de segurança necessário.



### Atenção

Um triângulo de advertência grande com a palavra “Aviso” alerta para o risco de ferimentos graves e mesmo de morte.



### Nota

Um triângulo de advertência pequeno com a palavra “Nota”, significa haver perigo de danos pessoais ligeiros ou danos à máquina.



### Observação

Uma mão com o dedo indicador esticado e com a palavra “Observação”, significa que um determinado momento de trabalho requer atenção especial.



### CE

Este símbolo significa que a máquina está em conformidade com as directivas comunitárias em vigor.





## Instruções de segurança

Na concepção e produção dos produtos Husqvarna, além de à eficácia e facilidade de utilização, foi atribuída grande importância aos aspectos de segurança. Para que preservar as características de segurança da máquina, devem ser considerados os seguintes pontos:



### AVISO!

**Esta máquina destina-se a ser usada apenas com a unidade hidráulica Husqvarna PP 455E ou com uma unidade ligada à unidade Husqvarna RC 455. Qualquer outra utilização é proibida.**



### NOTA

É absolutamente proibido ligar a máquina sem respeitar as instruções de segurança. Se o utilizador infringir as mesmas, a Husqvarna Construction Products Sweden AB, ou respectivo representante, não assume qualquer responsabilidade, directa ou indirectamente. Leia estas instruções de utilização na sua totalidade e trate de compreender o conteúdo das mesmas antes de começar a usar a máquina. Se após ter lido as instruções de segurança não se sentir seguro dos riscos implicados, não use a máquina. Se precisar de mais informação, contacte o seu concessionário.

- Verifique se todas as conexões, ligações e mangueiras hidráulicas estão intactas.
- Antes de ligar a máquina, certifique-se de que todas as mangueiras estão correctamente ligadas.
- Não permita a presença de pessoas ou animais dentro da zona de segurança.
- Verifique se as protecções estão intactas e correctamente montadas.
- Nunca serre sem usar as protecções.
- Nunca desligue as mangueiras hidráulicas sem primeiro ter desligado a unidade hidráulica e o motor ter parado completamente.
- Inspeccione diariamente se há fugas na máquina, nas conexões e nas mangueiras hidráulicas. Uma fuga ou rebentamento podem causar “injecção de óleo” no corpo ou outras lesões graves.
- Não exceda o caudal e pressão de óleo especificados para a ferramenta que está a ser usada. Uma pressão excessiva pode causar rebentamento.
- Trate as mangueiras com cuidado.
- Não use mangueiras torcidas, gastas ou danificadas.
- Antes de pôr o sistema hidráulico sob pressão, verifique se as mangueiras estão correctamente ligadas à máquina e se as conexões hidráulicas estão travadas como deve ser. As conexões são fixadas rodando o casquilho externo da conexão fêmea, de maneira que o sulco do casquilho se afaste da esfera.
- Mantenha as mangueiras e as conexões hidráulicas limpas.
- Desligue sempre a corrente eléctrica para a unidade hidráulica antes de deslocar o equipamento.
- Trabalhe sempre de maneira a que possa aceder facilmente à paragem de emergência.
- Não deixe nunca a máquina sem vigilância com o motor a trabalhar.
- Antes de serrar, todos os cortes que vão ser executados deverão ser marcados nitidamente e planeados de forma a poderem ser efectuados sem perigo para pessoas ou para a máquina.
- Verifique nas plantas de construção se há cabos eléctricos, canalização de água, canos de gás e canos de esgoto colocados dentro da área de trabalho.
- Verifique sempre e marque o trajecto dos canos de gás. Serrar perto de canos de gás implica sempre grande perigo. Ao serrar, proceder de forma a não produzir chispas, dado haver um certo perigo de explosão. Esteja concentrado e atento à sua tarefa. Os descuidos podem resultar em ferimentos graves ou morte.
- Certifique-se de que os cabos eléctricos existentes dentro da área de trabalho não estão sob tensão.
- Ao usar ferramentas hidráulicas sobre ou perto de cabos eléctricos, deve-se usar mangueiras hidráulicas marcadas e homologadas como “não condutor eléctrico”. O uso de mangueiras doutro tipo pode resultar em ferimentos graves ou mesmo morte.
- Tenha cuidado ao levantar o equipamento. As peças com que trabalha são pesadas, o que implica, entre outros, perigo de esmagamento.
- Use sempre equipamento de protecção pessoal de acordo com as instruções de utilização, bem como vestuário de protecção. Não usar vestuário que possa ficar preso nas peças móveis da máquina.
- Usar apenas fios de corte recomendados pelo fabricante.
- Nunca serre sem usar água de arrefecimento. Se o arrefecimento do fio for deficiente, os segmentos podem ficar sobreaquecidos e desgastados com maior rapidez. Os segmentos podem-se desprender do fio e

ferir as pessoas que estejam perto da máquina.



## Introdução

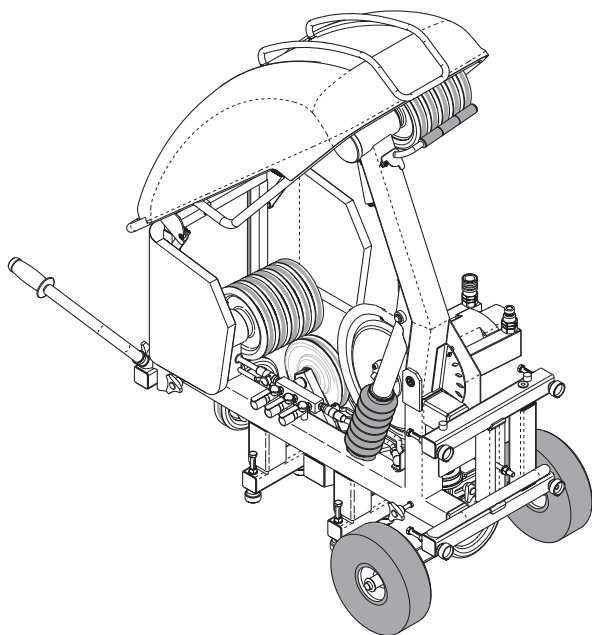
Husqvarna CS 2512 foi concebida para ser usada com a unidade hidráulica PP 455 E ou Husqvarna RC 455. Husqvarna CS 2512 é uma serra de fio potente e fácil de usar com capacidade para trabalhos de grande envergadura, mas ao mesmo tempo compacta e móvel para tarefas de menores dimensões. Pode ser usada de muitas maneiras, tanto sobre o piso como montada em paredes.

Graças à sua concepção cuidada, com a roda de transmissão instalada no lado de saída da máquina, o fio de corte está sempre devidamente esticado mesmo se a força de avanço for baixa. Esta construção, em combinação com a válvula de pressão ajustável, confere um controlo preciso do corte e óptima performance.

A máquina pode ser montada em pé ou deitada e muitos cortes podem ser feitos directamente sem roldanas externas.

Um equipamento de corte completo consiste de:

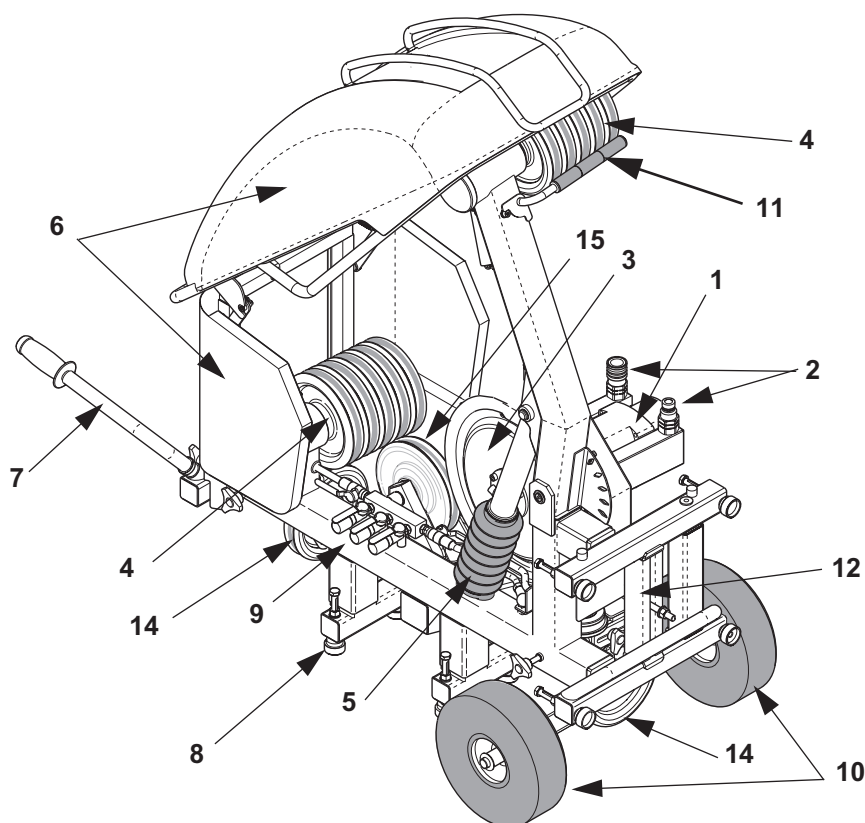
- 1 módulo de corte
- 1 caixa de acessórios
- 1 chave de 18 mm
- 1 bloco redutor de pressão
- 1 borracha de contacto para a roldana do carregador.
- 1 escova de limpeza







## Como se chama



A serra é composta pelos seguintes componentes:

### 1. Motor hidráulico

A máquina é accionada por um motor de 60 cm<sup>3</sup>. O motor tem dois blocos, um de 50 cm<sup>3</sup> e outro mais pequeno de 10 cm<sup>3</sup>. Utilizando apenas o motor maior ou ambos os motores simultaneamente, obtêm-se duas relações que produzem rotações diferentes mas a mesma potência de saída.

### 2. Ligações das mangueiras hidráulicas

O caudal de óleo hidráulico nas duas mangueiras mais grossas acciona o motor da máquina e, por conseguinte, o fio de corte. O caudal nas duas mangueiras mais finas acciona o cilindro do carregador.

### 3. Roda de transmissão

Transmite a potência do motor para o fio de corte. A roda de transmissão tem 400 mm de diâmetro e possui um revestimento de borracha substituível para otimizar o contacto entre a roda e o fio de corte.

A roda de transmissão, o motor hidráulico e as ligações hidráulicas constituem a **unidade motriz**. A unidade motriz regula-se de acordo com o número de roldanas no carregador e pode ser desmontada para facilitar o transporte da máquina.

### 4. Carregador

Estica e armazena o fio de corte. A capacidade máxima do carregador é de 12 metros de fio (2,4 metros por cada par de roldanas).

### 5. Cilindro do carregador

O cilindro tem como função esticar o fio no carregador, possibilitando deste modo o controlo do corte. A regulação da pressão no cilindro é feita através do bloco redutor de pressão, o qual se instala na unidade PP 455E ou RC 455.

### 6. Protecção

A protecção da máquina é composta por dois resguardos. Um fixo, de chapa, e outro rebatível, de plástico ou liga metálica. A protecção pode ser desmontada com facilidade, por exemplo, para instalar o fio. Deve estar sempre montada durante o corte.

### 7. Pega de levantamento

A pega retráctil é muito prática quando se desloca a máquina.

### 8. Pés de ajuste

Servem para manter a serra estável. A máquina possui 10 pés de ajuste no total, seis para corte deitado e quatro para a posição horizontal.

## 9. Ligações de água de arrefecimento

A máquina possui duas ligações para bocais de água e uma para entrada de água. Além de arrefecerem o fio de corte, os dois bocais pequenos são usados para lavar o fio quando este entra e sai da máquina.

## 10. Rodas de borracha

Facilitam o transporte da máquina. Para melhorar a acessibilidade em certos trabalhos, as rodas podem ser desmontadas com facilidade desapertando o pino que as retém no eixo.

## 11. Braço de retenção

Ajuda a manter o fio correctamente posicionado no carregador. Deste modo evitam-se problemas quando o fio não está esticado, por exemplo, aquando da substituição do fio ou quando se altera o número de roldanas no carregador.

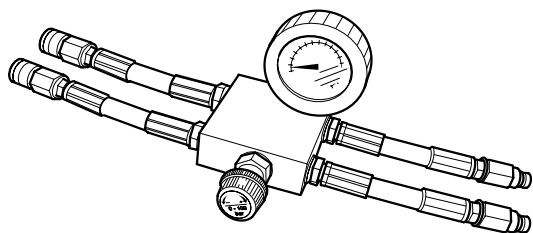
## 12. Travessa de ancoragem

Travessa ajustável dotada de um sulco longitudinal. Deslocando a travessa lateralmente, é possível montar o parafuso de ancoragem num sítio adequado sem ser necessário deslocar toda a máquina no momento de a fixar para operação.

Uma outra travessa sob a máquina é usada para fixar o parafuso de ancoragem para cortes horizontais.

## 13. Bloco redutor de pressão

O bloco redutor de pressão monta-se entre a unidade hidráulica e as mangueiras hidráulicas de avanço. No bloco redutor de pressão existe uma válvula que permite controlar a tensão do carregador.



## 14. Roldana giratória

As roldanas giratórias com rolamentos de esferas estão montadas nos pontos onde o fio de corte entra e sai da máquina. As roldanas giratórias ajudam a conduzir o fio de forma que este fique devidamente posicionado na máquina. Podem ser bloqueadas ou usadas destravadas para acompanharem melhor o movimento do fio de corte.

## 15. Roda-guia

Conduz o fio de corte do carregador para a roda de transmissão.

Quando a unidade motriz é regulada, a roda-guia é ajustada automaticamente de acordo com o número de roldanas no carregador.

## Acessórios

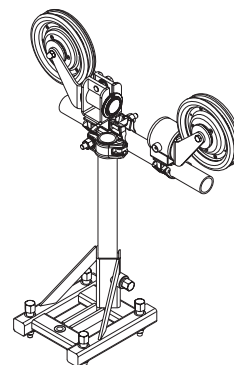
### 1. Bocais de água

Ligam-se às conexões de água na serra e são usadas para conduzir a água de arrefecimento na abertura do corte a fim de arrefecer o fio e ligar as partículas de betão.



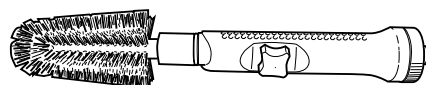
### 2. Roldanas giratórias

As roldanas giratórias destinam-se a conduzir o fio de corte. Com as roldanas giratórias é possível reduzir o número de cantos vivos por onde o fio passa, o que significa que uma maior parte da potência de corte é usada para serrar o material.

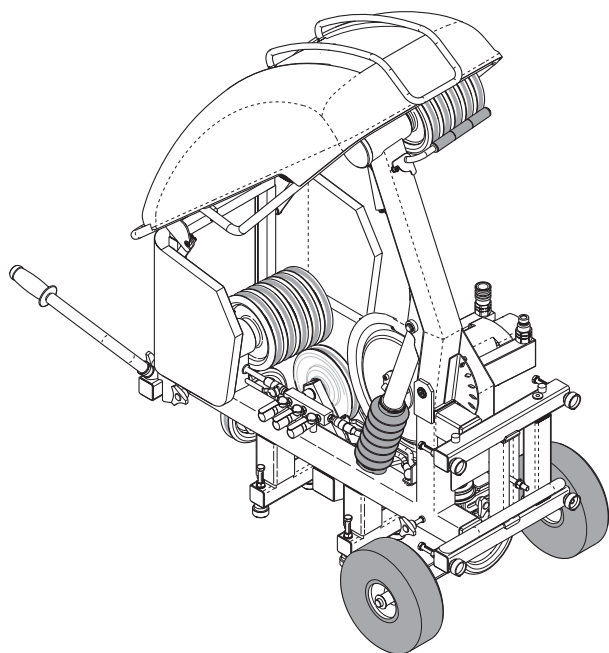


### 3. Escova de limpeza

Pode ser ligada a uma mangueira de água para limpar a máquina depois de ter sido utilizada.



## Dados técnicos



Potência na roda de transmissão (com PP 455):	20 kW
Caudal de óleo hidráulico:	65 l/min (17 gal/min)
Pressão hidráulica máx. permissível	230 bar (3400 psi)
Pressão hidráulica máx. recomendada em operação:	130 bar (1900 psi)
Comprimento máx. do fio de no carregador:	12 m (2,4 m/par de roldanas)
Dimensões, pega recolhida e protecção fechada (CxLxA)	1150x750x980 mm
Peso:	150 kg (330 lbs)
Velocidade do fio, relação 1	20 m/s (66 ft/s)
Velocidade do fio, relação 2	25 m/s (82 ft/s)



### AVISO

**Em caso algum é permitido fazer modificações na máquina sem a autorização por escrito da Husqvarna Construction Products Sweden AB. Modificações não autorizadas põem-no a si e a outros em perigo de ferimentos graves e até mortais. A Husqvarna Construction Products Sweden AB não se responsabiliza por manuseio não conforme com estas instruções.**

## Fios de corte recomendados:

A Husqvarna recomenda os seguintes fios de corte:

- Husqvarna C710C  
Husqvarna C710C é um fio galvanizado desenvolvido para o corte de betão com armação muito densa. Os segmentos têm uma alta concentração de diamantes e diâmetro reduzido (9,5 mm), o que faz com que este fio seja muito eficaz. O pequeno diâmetro permite também que o C710C possa ser usado para finalizar cortes particularmente difíceis.
- Husqvarna C750C  
Husqvarna C750C é um fio versátil desenvolvido para o corte de betão armado normal. É especialmente adequado para ser usado com serras de 10 a 25 kW de potência.
- Husqvarna C760C  
O fio de qualidade Premium da Husqvarna: elevada durabilidade, alta velocidade de corte e muito fiável. O fio Husqvarna C760C é adequado para todos os tipos de betão armado, inclusivamente para tarefas particularmente exigentes, como por exemplo, o corte de estruturas de pontes.
- Husqvarna C790C  
A dureza dos segmentos faz com que o C790C seja o fio ideal para o corte de materiais macios, tais como, argamassas e cimento calcário com armação ligeira.
- Husqvarna C575J  
Husqvarna C575J é um fio com segmentos galvanizados de 15 mm.
- Husqvarna C1200M  
Husqvarna C1200M é um fio especialmente desenvolvido para o corte de aço. É ideal para aplicações extremamente exigentes. O recurso às técnicas de sinterização mais avançadas proporciona vantagens significativas em termos de velocidade de corte e durabilidade. O fio está disponível com pontas unidas ou soltas.

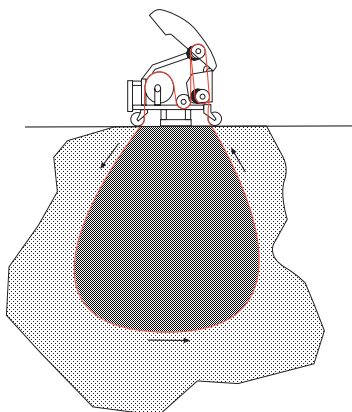
Para informações adicionais sobre as ferramentas Husqvarna, contactar um revendedor da marca.



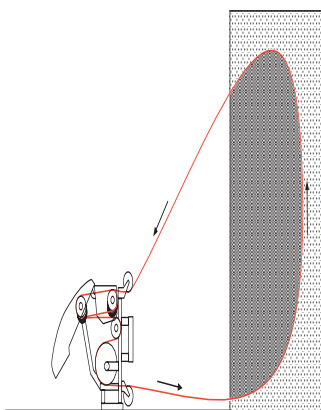
## Montar / Instalar o equipamento

Antes da instalação da serra, a serragem deve ser planeada com cuidado para que a operação decorra com a maior facilidade possível.

Husqvarna CS 2512 pode ser montada para executar tanto cortes horizontais como verticais. A serra instala-se no plano vertical para cortes verticais.



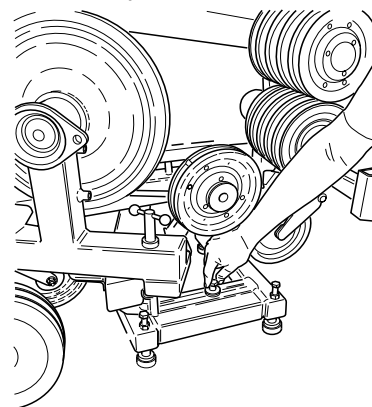
A serra instala-se no plano horizontal para cortes ao nível do piso e no piso.



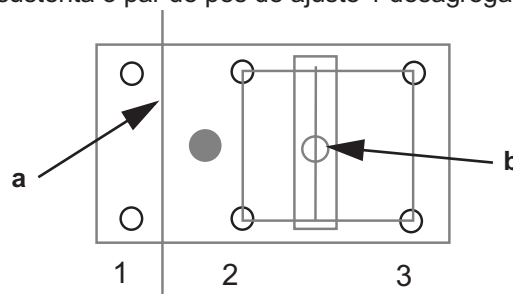
Se for necessário, fazer furos para enfiar o fio de corte através do material que vai ser cortado.

Posicionar a máquina adequadamente em frente do corte planeado. Em seguida, fixar a serra aparafusando o perno de ancoragem.

Quando a serra estiver fixa ao solo, use os pés de ajuste para estabilizar a máquina.



Note que o centro de gravidade da máquina (o círculo cinzento) encontra-se entre o primeiro e o segundo par de pés de ajuste (pares de pés de ajuste marcados 1-3) com a máquina no plano horizontal. Nos cortes executados sob a máquina, é importante fixar a serra com o perno de ancoragem (b), uma vez que se usam os pares de pés de ajuste 2 e 3. (O par 1 talvez fique assente na parte cortada). Se a serra não estiver devidamente fixa, cairá quando o material que sustenta o par de pés de ajuste 1 desagregar.



Se for necessário, montar roldanas giratórias para facilitar a serragem. Com as roldanas giratórias, é possível reduzir o número de cantos vivos por onde o fio passa, o que reduz o desgaste do fio e facilita o arranque da serra. As roldanas giratórias permitem também dirigir o fio em diferentes direcções ser necessário levantar o módulo de corte.

Usar as roldanas giratórias para recolher o fio quando a serragem terminar.



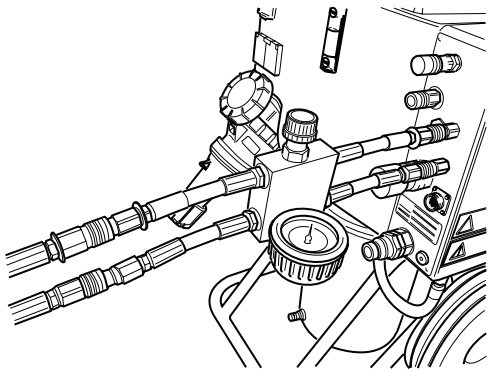
### AVISO!

**Posicionar sempre a máquina para que o operador não corra o risco de ser atingido pelo fio de corte se este quebrar. Certificar-se de que pessoas não autorizadas não podem aceder à área de trabalho durante a serragem. Ser atingido por um fio pode causar a morte ou ferimentos graves.**

## Ligação à unidade hidráulica

Depois da instalação da serra, esta deve ser ligada à unidade hidráulica. Husqvarna CS 2512 foi desenvolvida para operar com a unidade Husqvarna PP 455 ou Husqvarna RC 455.

1. Confirmar que a unidade hidráulica está ligada à rede de corrente eléctrica.
2. Ligar a água de arrefecimento ao motor na unidade hidráulica.
3. Controlar que a mensagem "LIGAR MANGUEIRAS" aparece no mostrador do controlo-remoto. Se a mensagem não aparecer, consultar as instruções de operação da unidade PP 455E ou RC 455.
4. Montar as duas mangueiras hidráulicas mais grossas, primeiro na unidade e, em seguida, nas conexões do motor da serra. Fixar as conexões rodando o casquilho da conexão de maneira que o sulco do casquilho se afaste da esfera.
5. Instalar o bloco redutor de pressão na unidade hidráulica de acordo com as instruções no bloco.
6. Ligar duas das mangueiras hidráulicas mais finas ao bloco redutor de pressão. A mangueira com uma anilha vermelha que está ligada no conector deve ser ligada à mangueira no bloco redutor de pressão que também tem uma anilha.



Fixar as conexões rodando o casquilho da conexão de maneira que o sulco do casquilho se afaste da esfera.

7. Ligar as duas mangueiras que foram ligadas ao bloco redutor de pressão às mangueiras no cilindro de avanço na serra. A mangueira com uma anilha vermelha que está ligada ao conector deve ser ligada à mangueira na serra que também tem uma anilha.
8. Ligar a mangueira de água à ligação de entrada de água na serra.

Se as conexões emperrarem durante a montagem, devem ser desmontadas completamente antes de serem instaladas de novo.

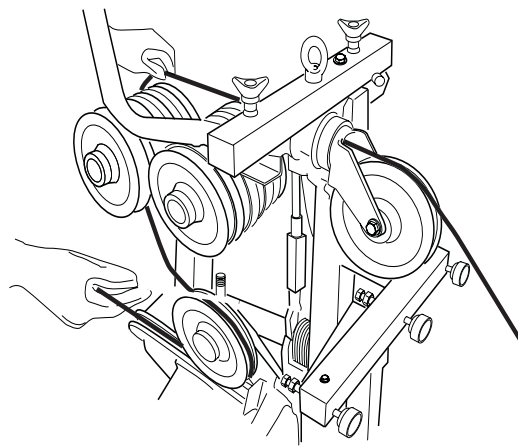
Certificar-se de que as conexões das mangueiras que não foram usadas não estão no chão.

Mantê-las sempre limpas para preservar a durabilidade.

## Enfiar o fio

A protecção pode ser desmontada para facilitar a instalação do fio. Instalar o fio da seguinte maneira:

1. Certificar-se de que o carregador está na posição mínima.
2. Pôr o fio à volta da peça a cortar, eventualmente através de furos feitos previamente.
3. Enfiar o fio através do orifício junto à roldana giratória e enrolá-lo num número adequado de roldanas no carregador.

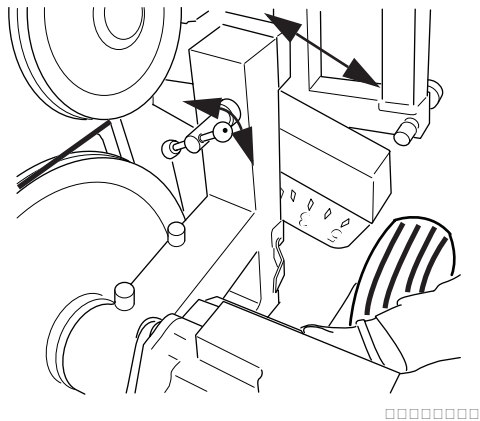


4. Ajustar a unidade motriz de acordo com o número de pares de roldanas usados no carregador:

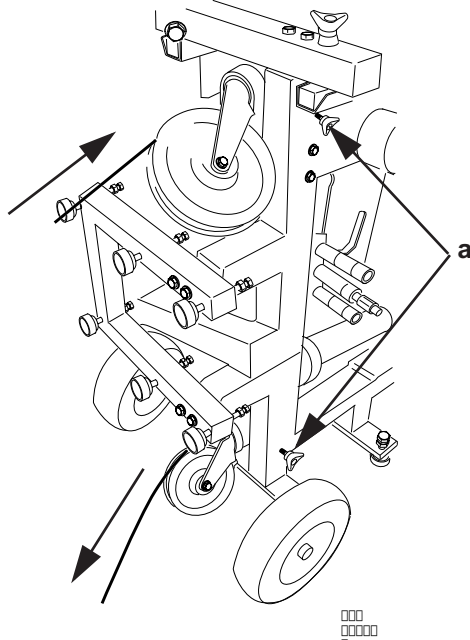
Soltar o braço rodando o manípulo no sentido horário. Ajustar em seguida a unidade motriz de forma que o braço esteja alinhado com as marcações da serra. Bloquear depois a unidade motriz rodando o manípulo no sentido anti-horário.

Normalmente, só se usa um par de roldanas no início

do corte.

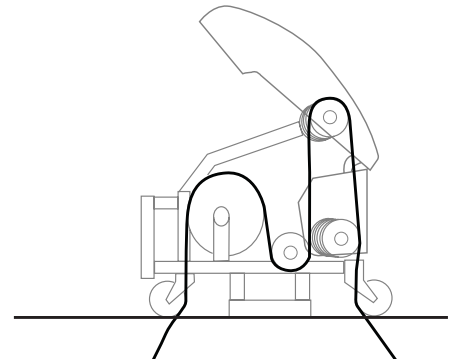


5. Enrolar o fio à volta da roda de transmissão e através do orifício da outra roldana giratória. As roldanas giratórias podem rodar e ser bloqueadas na posição desejada rodando os manípulos (a).



6. Antes da montagem das uniões do fio, este deve ser retorcido 1-2 voltas por metro de fio usado. É importante que a torção do fio seja feita no mesmo sentido em que foi entrançado para que o desgaste dos segmentos diamantados seja tão uniforme quanto possível.
7. Bloquear o fio com um pino. Se o fio não tiver casquilhos nas extremidades, estes devem ser montados com a ajuda de um alicate especial. Em caso de dúvida sobre o modelo apropriado, contactar um revendedor da Husqvarna.
8. Se o fio estiver correctamente instalado, o percurso

através da máquina deve ser como indicado na figura.

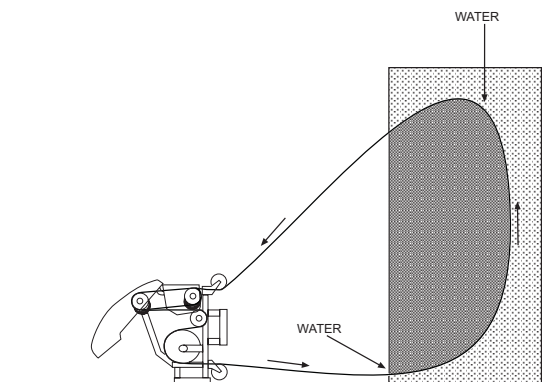


**NOTA**

Um fio usado deve operar sempre no mesmo sentido em que foi usado anteriormente para não provocar um desgaste ainda maior.

## Colocação da água de arrefecimento

Husqvarna CS 2512 está equipada com duas tomadas para a água de arrefecimento. Os bocais de água podem ser ligados a essas tomadas e, depois, colocados junto da intersecção do fio de corte com o betão. Deste modo, o fio conduz a água para a abertura do corte. A água arrefece o fio e aglutina as poeiras de betão.

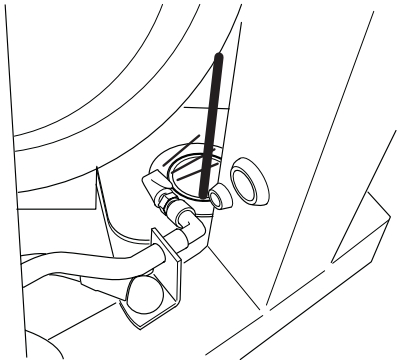


**NOTA**

Para que a água arrefeça o fio como previsto, é necessário ajustar a sua posição à medida que o corte prossegue. Parar sempre a máquina para ajustar a posição dos bocais.

O fio é limpo não apenas pela água de arrefecimento mas também junto das duas roldanas giratórias na máquina.

Isto para manter o fio tão limpo quanto possível. Assim, a serra pode operar com menos perdas por atrito e com maior eficácia.



□□□□□□

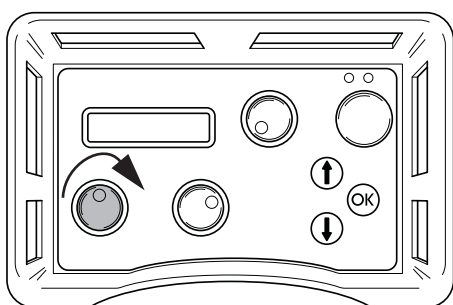


## Procedimento

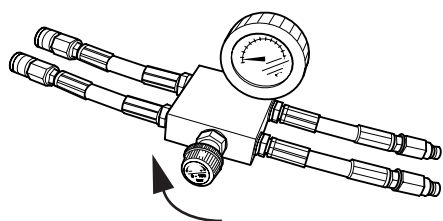
### Serragem

Após todo o equipamento estar montado, pode-se começar a serrar. Para que a serra funcione com a máxima eficácia possível, é necessário que seja posta a trabalhar da forma seguinte:

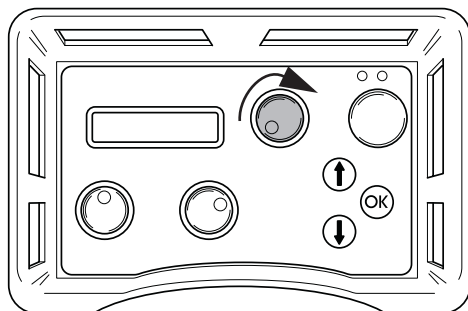
1. Fechar a válvula do bloco reductor de pressão rodando o botão para a esquerda até à posição de batente, e depois duas voltas no sentido contrário.
2. Ligar a unidade hidráulica.
3. Ajustar o caudal de avanço na unidade para o máximo, rodando o comando do controlo remoto para a direita.



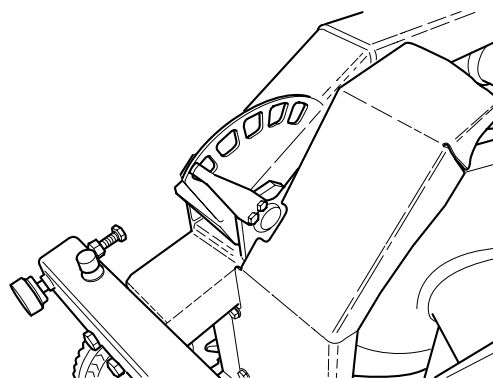
4. Esticar o fio rodando cuidadosamente o botão no bloco reductor de pressão para a direita, até o fio ficar suficientemente esticado. Controlar sempre que o fio está correctamente posicionado em todas as roldanas da máquina.



5. Pôr o motor a rodar girando o comando de rotação do motor no controlo remoto para a direita.



6. Aumentar cuidadosamente as rotações do motor com o comando de rotação. A pressão de trabalho apropriada é, normalmente, entre 100 e 130 bar, mas depende de vários factores, como o número de roldanas no carregador, a quantidade de fio a operar e a dureza do material a cortar.
7. A pressão de trabalho baixa à medida que o material é cortado, o que é indicado no mostrador. O carregador tem que ser ajustado rodando o botão do bloco reductor de pressão no sentido horário.
8. A tensão do carregador está indicada num mostrador na máquina (na imagem na posição mínima). Quando o cilindro do carregador está completamente descomprimido, é necessário parar a máquina e passar o fio à volta de um novo par de roldanas. Continuar o corte com indicado acima.



#### NOTA

Para a água arrefecer o fio como previsto, é necessário ajustar a posição dos bocais à medida que o corte prossegue. Parar sempre a máquina para ajustar a posição dos bocais.

### Terminar a serragem

1. Reduzir a velocidade do fio e deixar o motor parar completamente.
2. Levantar o braço do carregador.
3. Desligar o cabo de alimentação da unidade hidráulica.
4. Desligar as mangueiras hidráulicas e a mangueira da água do módulo de corte.
5. Os restantes momentos são executados ao inverso da montagem.

## Limpeza

Terminada a serração, deve-se limpar a serra. É importante que todo o equipamento de corte seja limpo. A serra pode ser lavada desligando a mangueira de água do braço giratório e usando-a para lavar o módulo de corte. Caso seja necessário, pode-se usar também uma escova de limpeza ou algo idêntico para lavar o equipamento. Evitar usar jacto de alta pressão para lavar o módulo de corte.

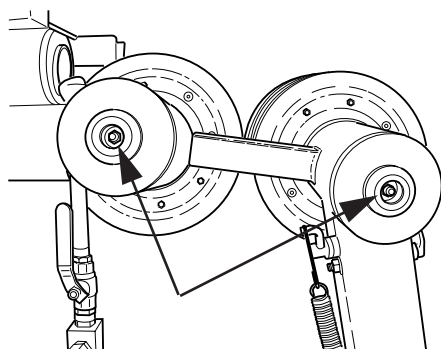
## Manutenção

Além dos cuidados diários como limpeza e lubrificação, deve-se prestar manutenção à máquina. Após 50 horas de operação, a máquina tem que ser assistida numa oficina Husqvarna autorizada. Depois, deverá ser assistida todas as 100 horas de operação. A revisão é importante para que você, como utilizador, tenha uma máquina que funcione da forma mais eficaz possível durante muito tempo.

## Lubrificação

Para que o fio de corte trabalhe com o mínimo de atrito, os veios do carregador devem estar cheios com massa lubrificante. Encher os veios com massa todas as 5-10 horas de operação. Usar a massa lubrificante Canadian Petroleum OG2 ou uma massa equivalente.

Os rolamentos dos veios devem também ser lubrificados regularmente mas com uma periodicidade menor.







[www.husqvarnacp.com](http://www.husqvarnacp.com)