

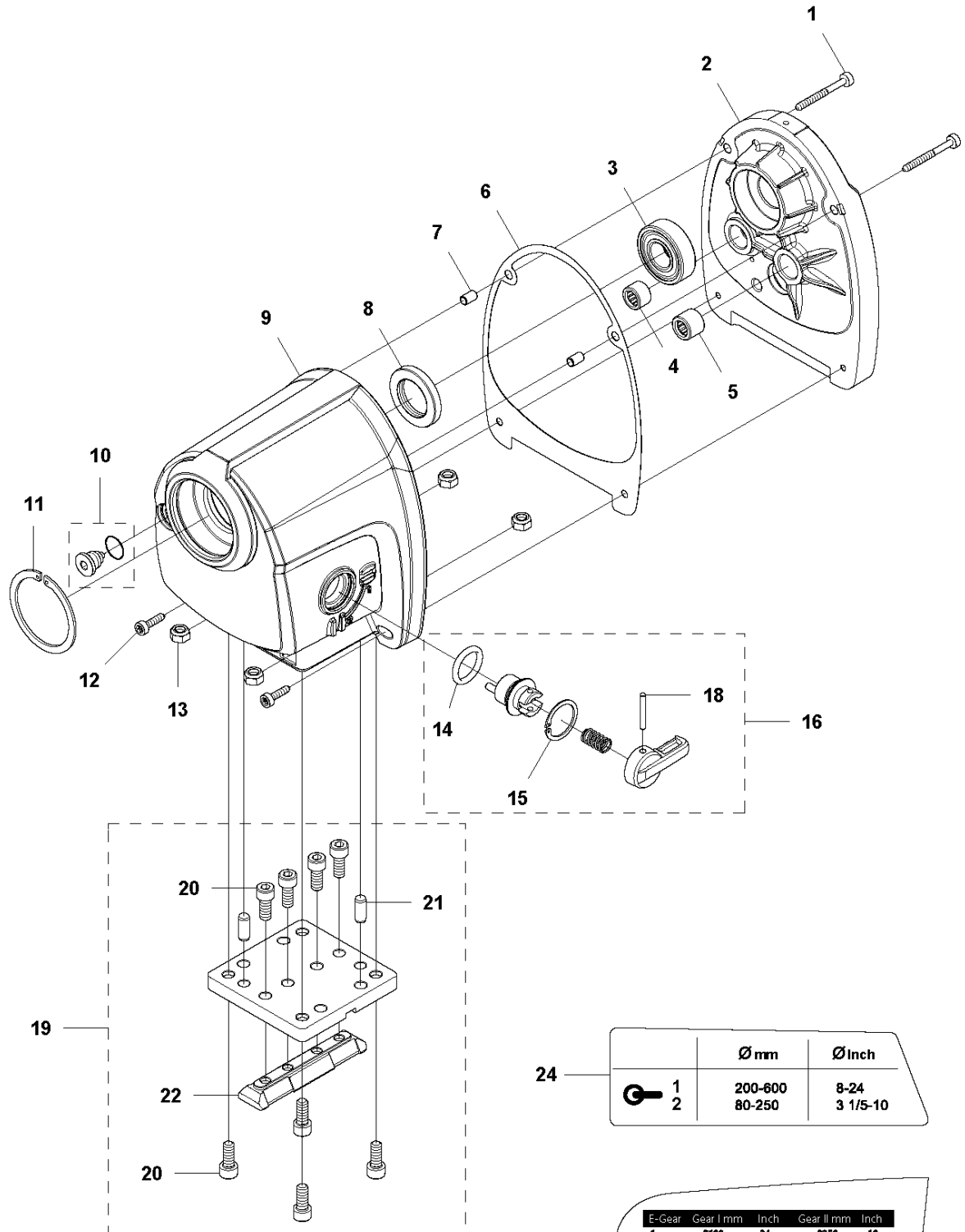


# SPARE PARTS LIST

DRILLING EQUIPMENT

DM700, 2020-04

**A** DM 700  
GEAR BOX



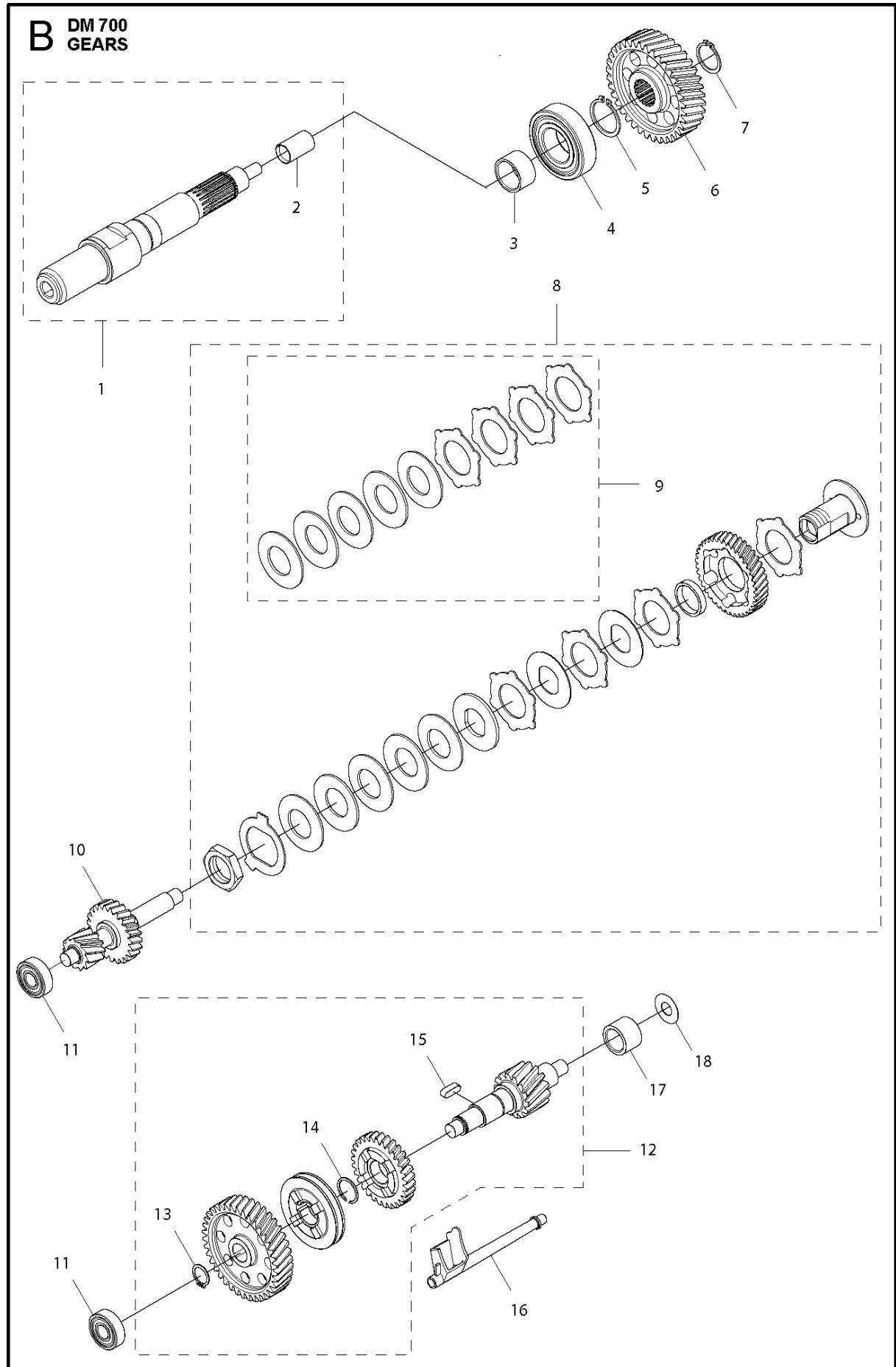
		Ø mm	Ø Inch
24	1	200-600	8-24
	2	80-250	3 1/5-10

E-Gear	Gear I mm	Inch	Gear II mm	Inch
1	Ø600	24	Ø250	10
2	Ø500	20	Ø225	9
3	Ø450	17 3/4	Ø200	8
4	Ø400	15 3/4	Ø175	7
5	Ø350	13 1/2	Ø150	6
6	Ø300	12	Ø125	5
7	Ø250	10	Ø100	4
8	Ø225	9	Ø90	3 1/2
9	Ø200	8	Ø80	3 1/5

## GEAR BOX

DM700, 2020-04

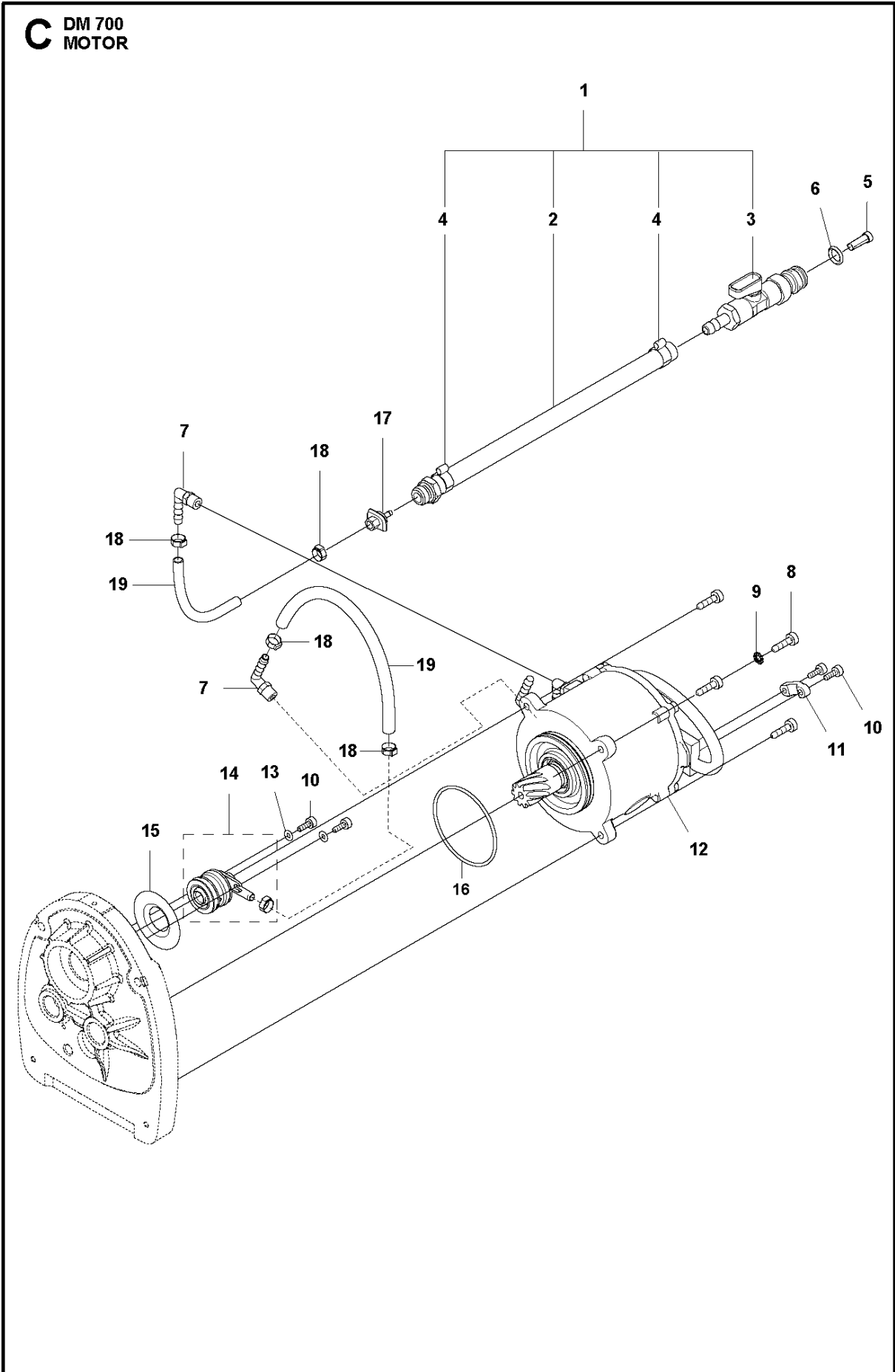
Ref	Part No	Description	Remark	QTY KIT
1	501 98 10-02	SCREW ITXSCM		2
2	586 50 14-01	COVER		1
3	738 22 04-19	BALL BEARING		1
4	503 25 53-01	NEEDLE BEARING		1
5	575 36 21-01	NEEDLE BEARING		1
6	525 39 50-01	GASKET		1
7	575 45 24-01	GUIDE		2
8	502 49 63-02	SEALING RING		1
9	525 39 34-01	GEAR HOUSING		1
10	525 48 10-01	OIL PLUG		1
11	502 49 70-01	CIRCLIP		1
12	501 98 10-04	SCREW ITXSCM		2
13	732 25 18-01	HEXAGON LOCKING NUT		4
14	740 43 15-00	O-RING		1
15	735 31 30-11	CIRCLIP		1
16	588 59 57-01	GEARSHIFT LEVER		1
18	720 12 76-06	PARALLEL PIN		1
19	577 54 91-01	KIT		1
20	725 54 51-01	SCREW IHSCM		8
21	720 14 01-06	PARALLEL PIN		2
22	575 80 81-01	WEDGE		1
23	598 76 88-01	LABEL		1
24	598 76 89-01	LABEL		1



## GEARS

DM700, 2020-04

Ref	Part No	Description	Remark	QTY KIT
1	529 53 08-01	SPINDLE SHAFT	1 1/4" UNC only	1
1	585 24 16-02	SPINDLE SHAFT	Japan Only	1
1	585 24 16-03	SPINDLE SHAFT	CR1-28 only	1
2	504 73 59-01	SLEEVE		1
3	585 07 19-01	SPACER		1
4	738 22 06-29	BALL BEARING		1
5	735 31 30-00	CIRCLIP		1
6	584 98 53-02	GEAR WHEEL		1
7	585 47 49-01	RETAINER RING		2
8	580 63 71-01	CLUTCH ASSY		1
9	577 55 83-01	KIT		1
10	580 63 50-01	GEAR WHEEL SHAFT		1
11	738 22 01-19	BALL BEARING		2
12	580 63 51-01	GEAR WHEEL ASSY		1
13	735 31 18-00	CIRCLIP		1
14	735 31 22-40	CIRCLIP		1
15	582 69 73-03	PARALLEL KEY		1
16	575 25 83-01	OIL PIPE		1
17	586 09 19-01	SPACER		1
18	586 03 98-01	WASHER		1

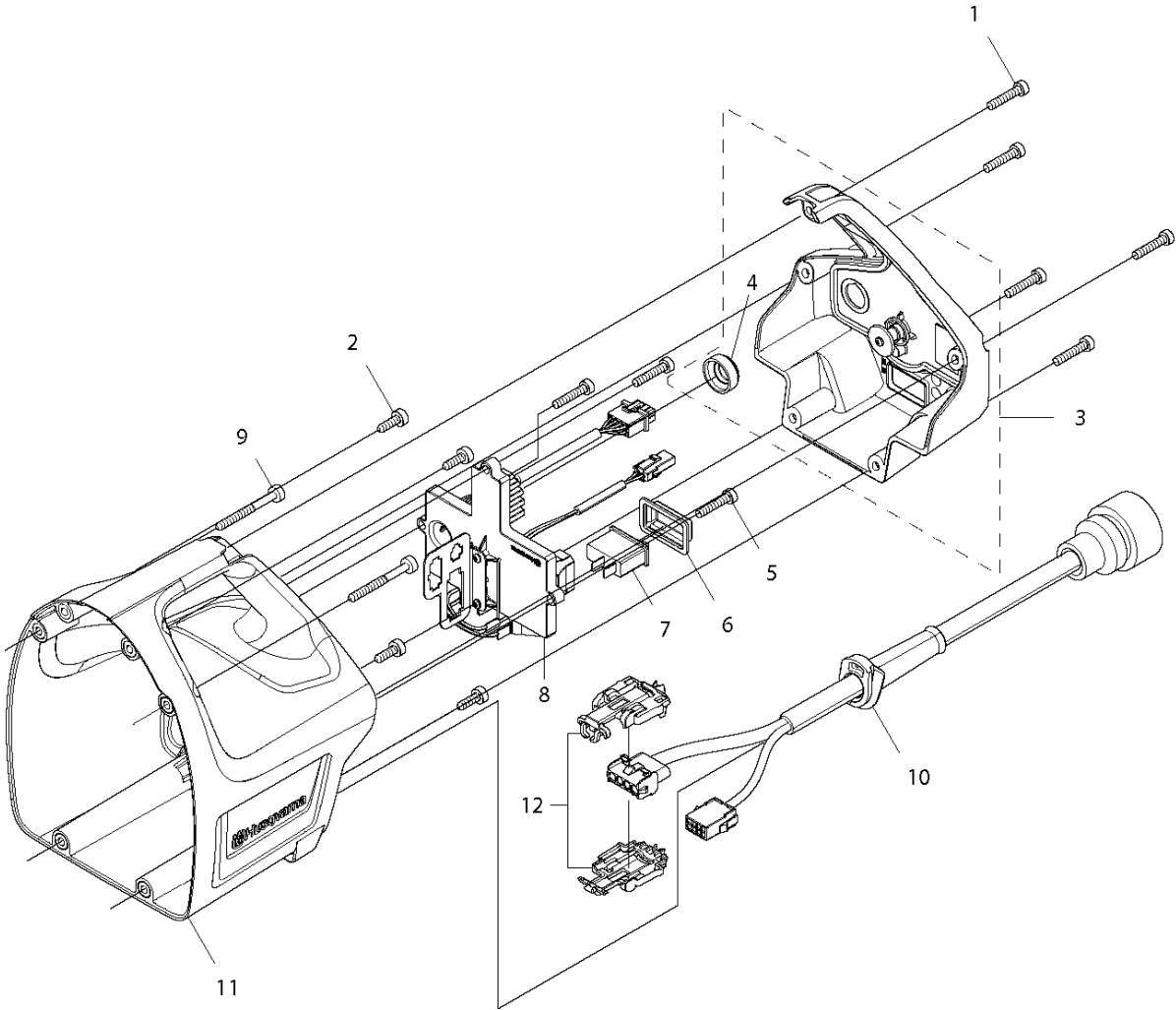


## MOTOR

DM700, 2020-04

Ref	Part No	Description	Remark	QTY KIT
1	501 07 22-01	HOSE ASSY		1
2	581 89 36-07	HOSE		1
3	587 43 78-02	VALVE ASSY		1
4	576 12 97-01	HOSE CLAMP		1
5	506 29 88-01	FILTER		4
6	505 10 35-01	O-RING		1
7	584 95 15-01	NIPPLE		2
8	503 21 53-20	SCREW ITXSCM		4
9	735 21 46-01	LOCKWASHER		1
10	526 81 81-02	SCREW ITXSCM		2
11	575 73 40-03	CABLE CLAMP		1
12	599 63 72-04	MOTOR		1
13	734 11 36-01	WASHER		2
14	577 75 82-02	HOSE CLAMP		1
15	584 39 02-01	GUIDE WASHER		1
16	575 49 30-01	O-RING		1
17	586 20 19-01	NIPPLE		1
18	576 74 67-01	HOSE CLAMP		4
19	581 89 35-14	HOSE		2

**D** DM 700  
REAR HANDLE



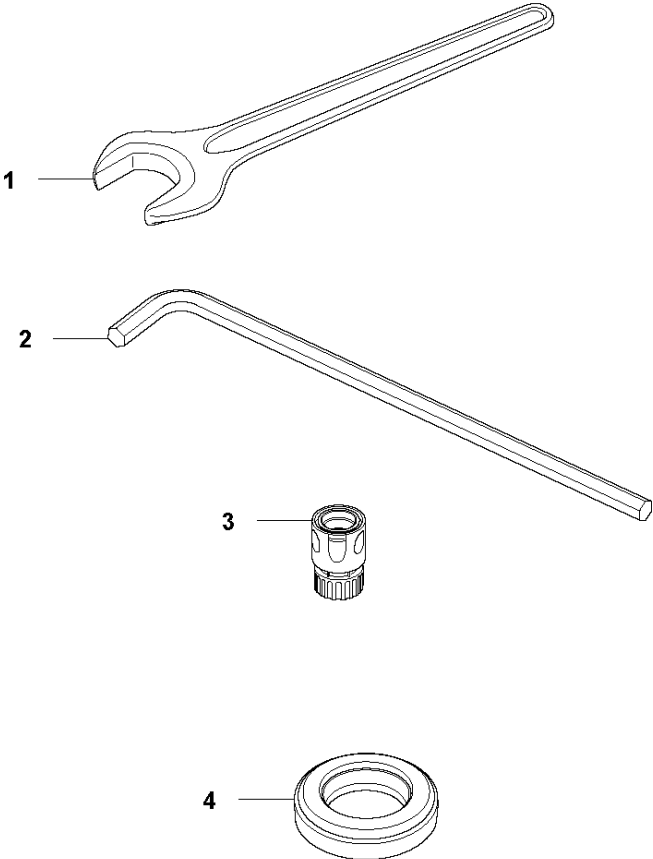


## REAR HANDLE

DM700, 2020-04

Ref	Part No	Description	Remark	QTY KIT
1	504 90 94-14	SCREW ITXSCT		5
2	503 21 53-16	SCREW ITXSCM		4
3	575 47 00-03	COVER		1
4	574 27 27-01	PROTECTIVE CAP		1
5	573 92 58-04	SCREW ITXSCT		3
6	574 27 28-01	PROTECTIVE CAP		1
7	574 26 61-01	SWITCH		1
8	598 88 76-01	HOLDER		1
9	501 98 10-02	SCREW ITXSCM		4
10	595 01 88-02	WIRING ASSY		1
11	575 21 93-01	MOTOR HOUSING		1
12	598 75 73-01	COVER KIT		1

**E** DM 700  
ACCESSORIES



## ACCESSORIES

DM700, 2020-04

Ref	Part No	Description	Remark	QTY KIT
1	531 14 09-52	KEY		1
2	525 43 76-01	HEX KEY		1
3	503 26 60-04	COUPLER		1
4	543 05 28-78	WATER COLLECTOR	Before serial no: S/N20204400001	1
4	598 76 28-01	WASHER	From serial no: S/N20204400001	1