

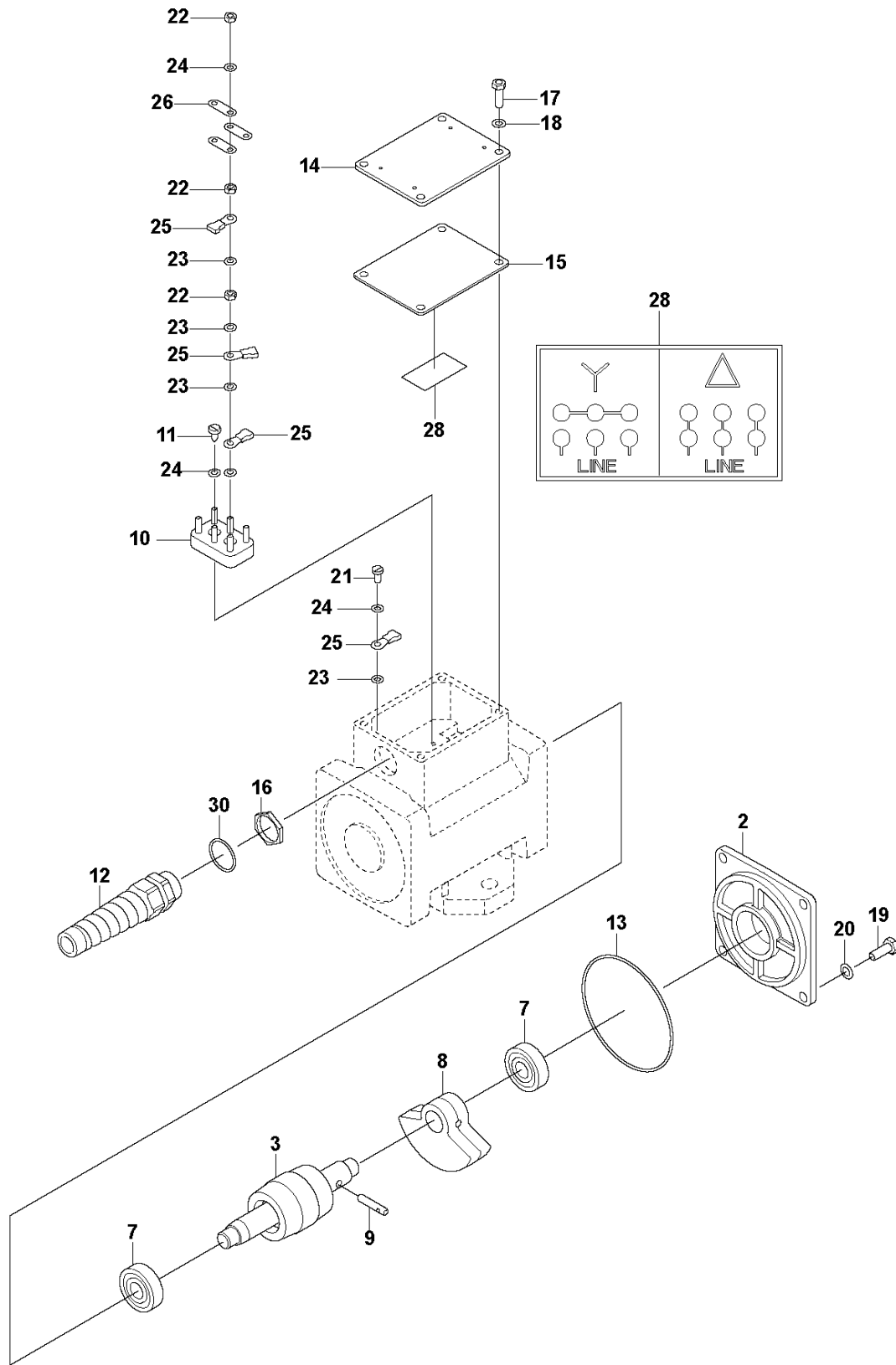


SPARE PARTS LIST

EXTERNAL VIBRATORS

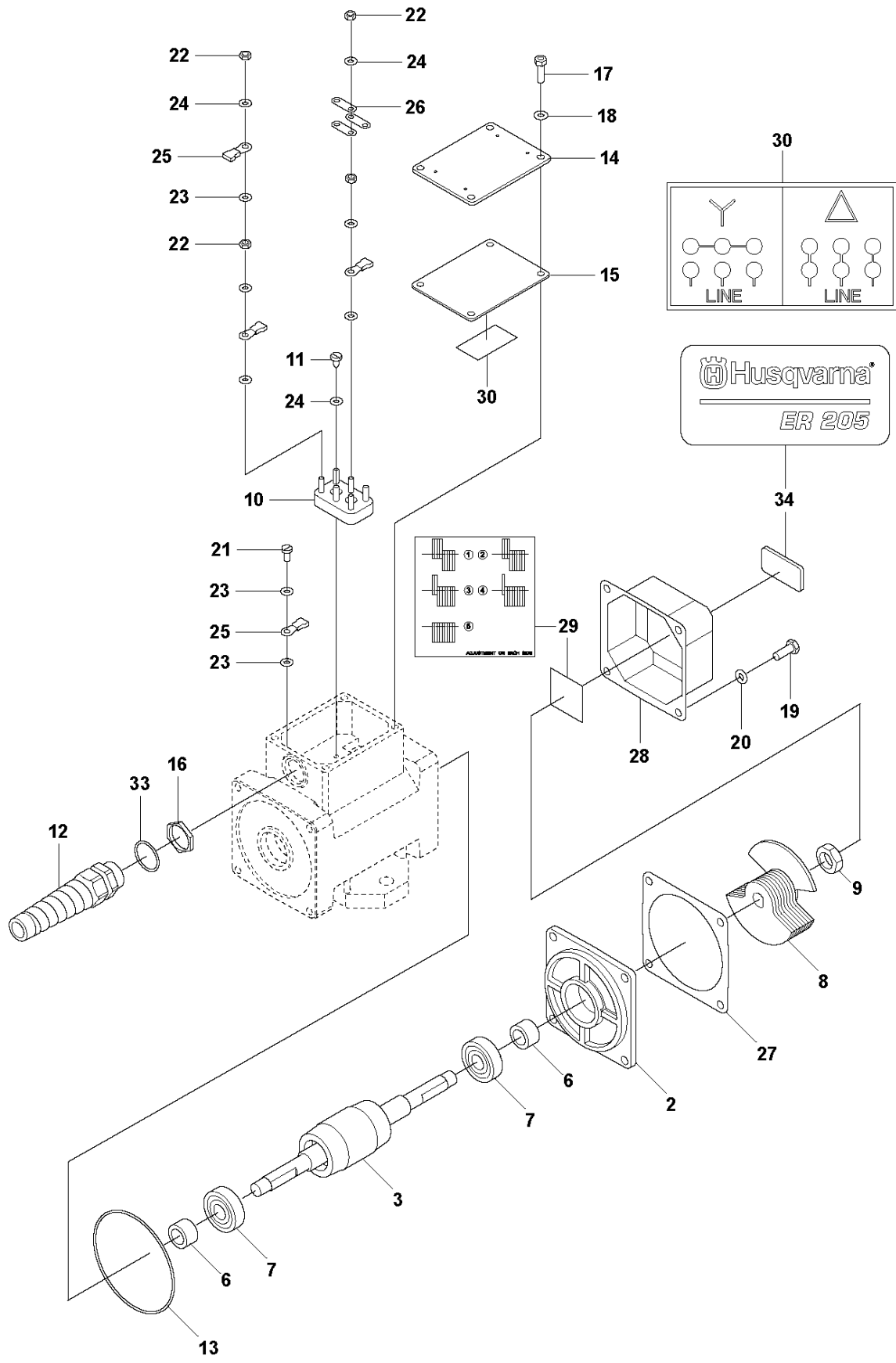
ER105, ER205, ER305, ER405, ER605,
ER705, 2022-01

A ER105
PRODUCT COMPLETE



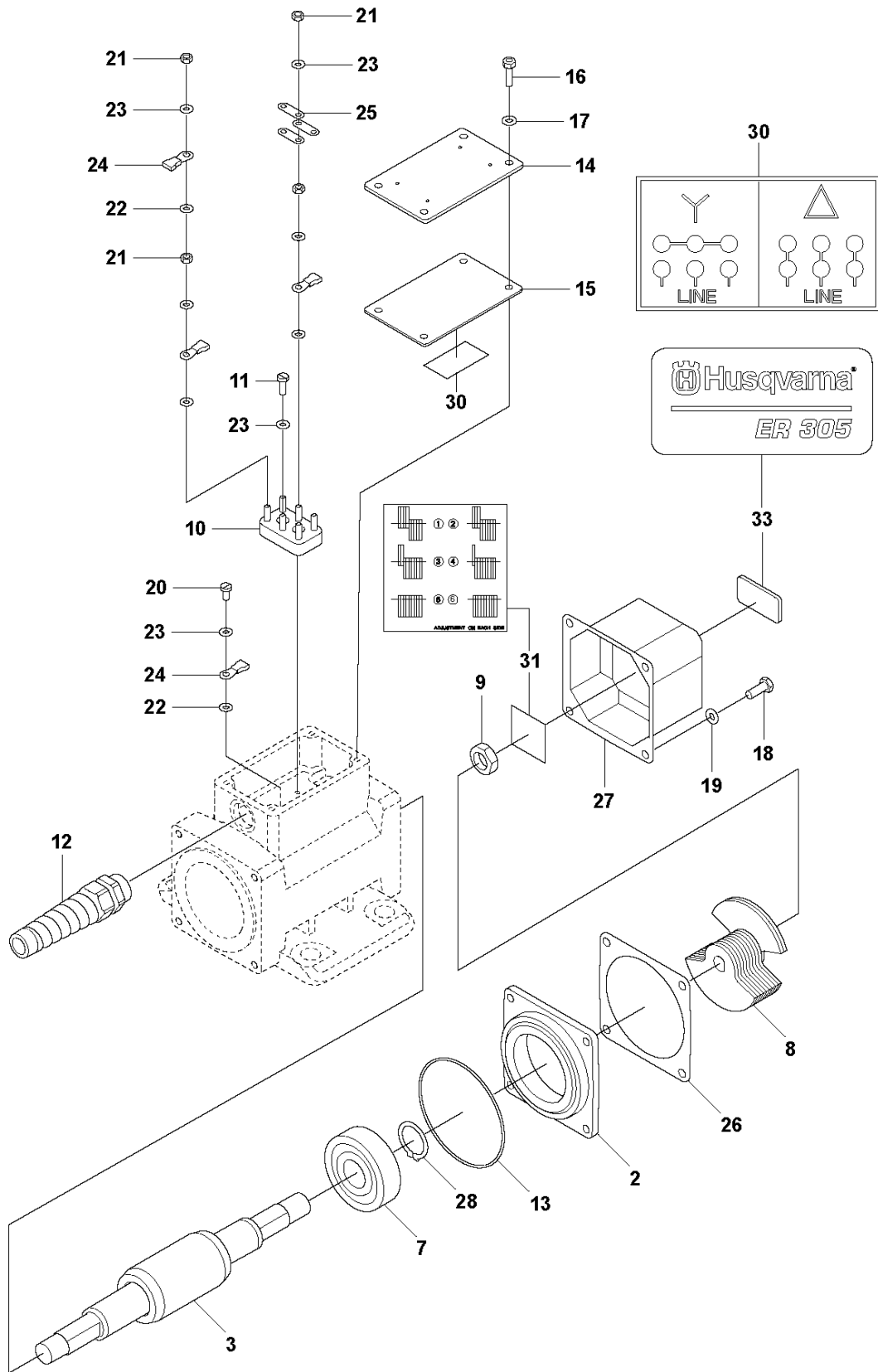
Ref	Part No	Description	Remark	QTY KIT
2	595 14 97-01	BRACKET		1
3	595 15 17-01	ROTOR		1
7	595 14 17-01	BALL BEARING	6201-ZZ	2
8	595 15 00-01	EXCENTER		1
9	595 18 29-01	PIN	8x40	1
10	594 25 55-01	CONNECTING BOX		1
11	594 83 30-01	SCREW	4.2x16 DIN 7971	2
12	594 79 22-01	NUT	BS 13.5	1
13	595 14 54-01	O-RING	75.92x1.78 NBR 70 Shore	1
14	595 15 02-01	COVER		1
15	595 15 03-01	SEAL		1
16	595 44 72-01	NUT	SM 13.5	1
17	595 05 36-01	SCREW	M5x16 ISO 4014 8.8 A2K	4
18	594 27 35-01	SPRING WASHER	M5 DIN 6798A	4
19	595 03 32-01	SCREW	M6x16 ISO 4017 8.8 A2K	4
20	595 14 94-01	WASHER	M6 DIN 6798A	4
21	594 28 61-01	SCREW	M4x8 ISO 1207 BRASS	1
22	594 79 11-01	NUT	M4 ISO 4032 BRASS	12
23	595 18 25-01	WASHER	M4 ISO 7092 BRASS	16
24	595 18 23-01	WASHER	M4 DIN 6798A	9
25	594 85 36-01	UNIT		10
26	595 44 66-01	STRIP		3
28	595 45 45-01	CONNECTOR		1
30	594 26 76-01	O-RING	14.1x1.6 NBR 70 Shore	1

B ER205
PRODUCT COMPLETE



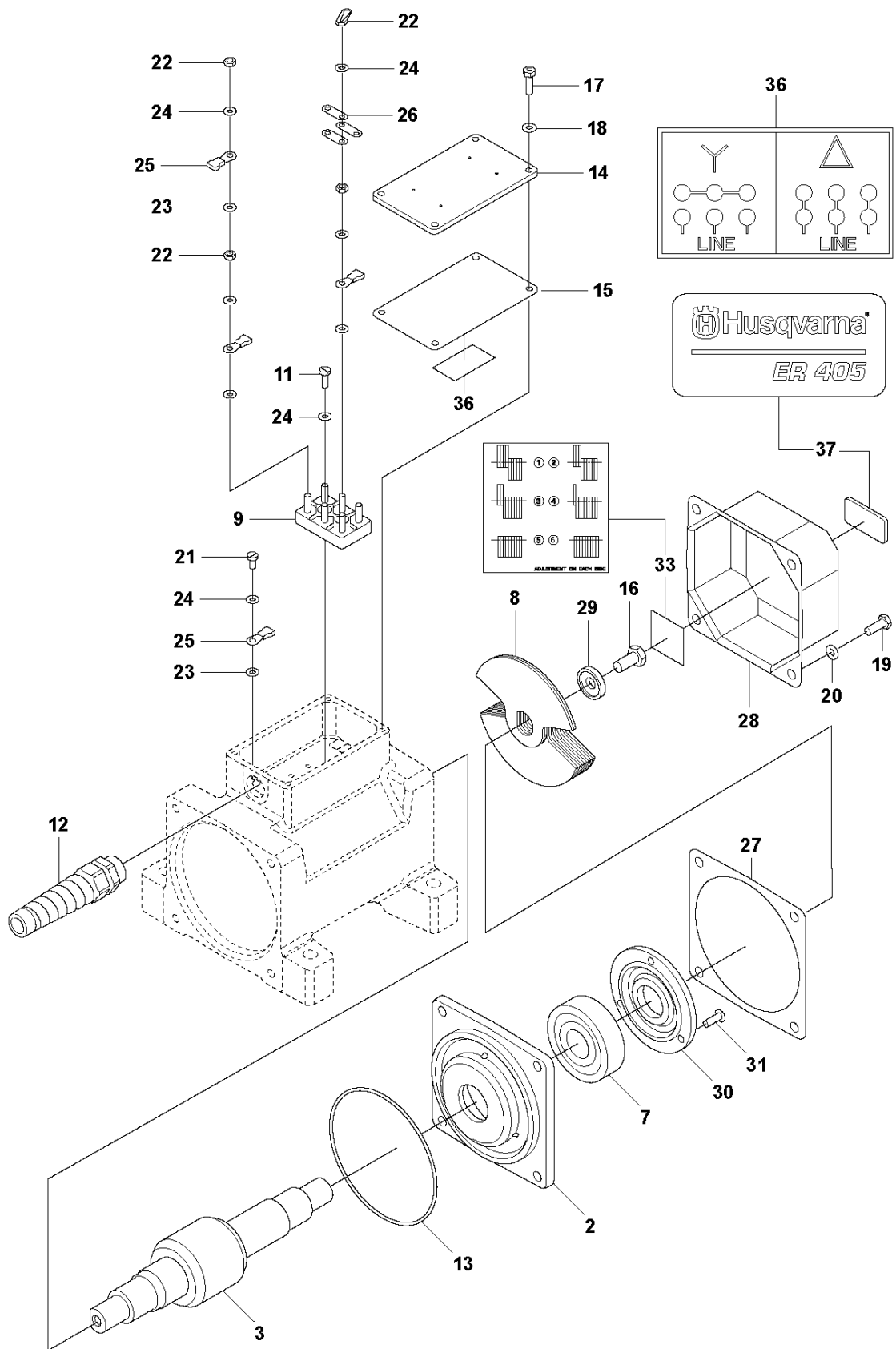
Ref	Part No	Description	Remark	QTY KIT
2	595 14 98-01	BRACKET		1
3	595 15 18-01	ROTOR		1
6	529479201	TBD		2
7	595 14 17-01	BALL BEARING	6201-ZZ	2
8	595 15 01-01	EXCENTER		18
9	595 15 20-01	NUT		2
10	594 25 55-01	CONNECTING BOX		1
11	594 83 30-01	SCREW	4.2x16 DIN 7971	2
12	594 79 22-01	NUT	BS 13.5	1
13	595 14 54-01	O-RING	75.92x1.78 NBR 70 Shore	1
14	595 15 02-01	COVER		1
15	595 15 03-01	SEAL		1
16	595 44 72-01	NUT	SM 13.5	1
17	595 05 36-01	SCREW	M5x16 ISO 4014 8.8 A2K	4
18	594 27 35-01	SPRING WASHER	M5 DIN 6798A	4
19	595 03 32-01	SCREW	M6x16 ISO 4017 8.8 A2K	8
20	595 14 94-01	WASHER	M6 DIN 6798A	8
21	594 28 61-01	SCREW	M4x8 ISO 1207 BRASS	1
22	594 79 11-01	NUT	M4 ISO 4032 BRASS	12
23	595 18 25-01	WASHER	M4 ISO 7092 BRASS	16
24	595 18 23-01	WASHER	M4 DIN 6798A	9
25	594 85 36-01	UNIT		10
26	595 44 66-01	STRIP		3
27	595 15 04-01	SEAL		2
28	595 14 99-01	COVER		2
29	595 44 82-01	DECAL		2
30	595 45 45-01	CONNECTOR		1
33	594 26 76-01	O-RING	14.1x1.6 NBR 70 Shore	1
34	599829101	TBD		2

C ER305
PRODUCT COMPLETE



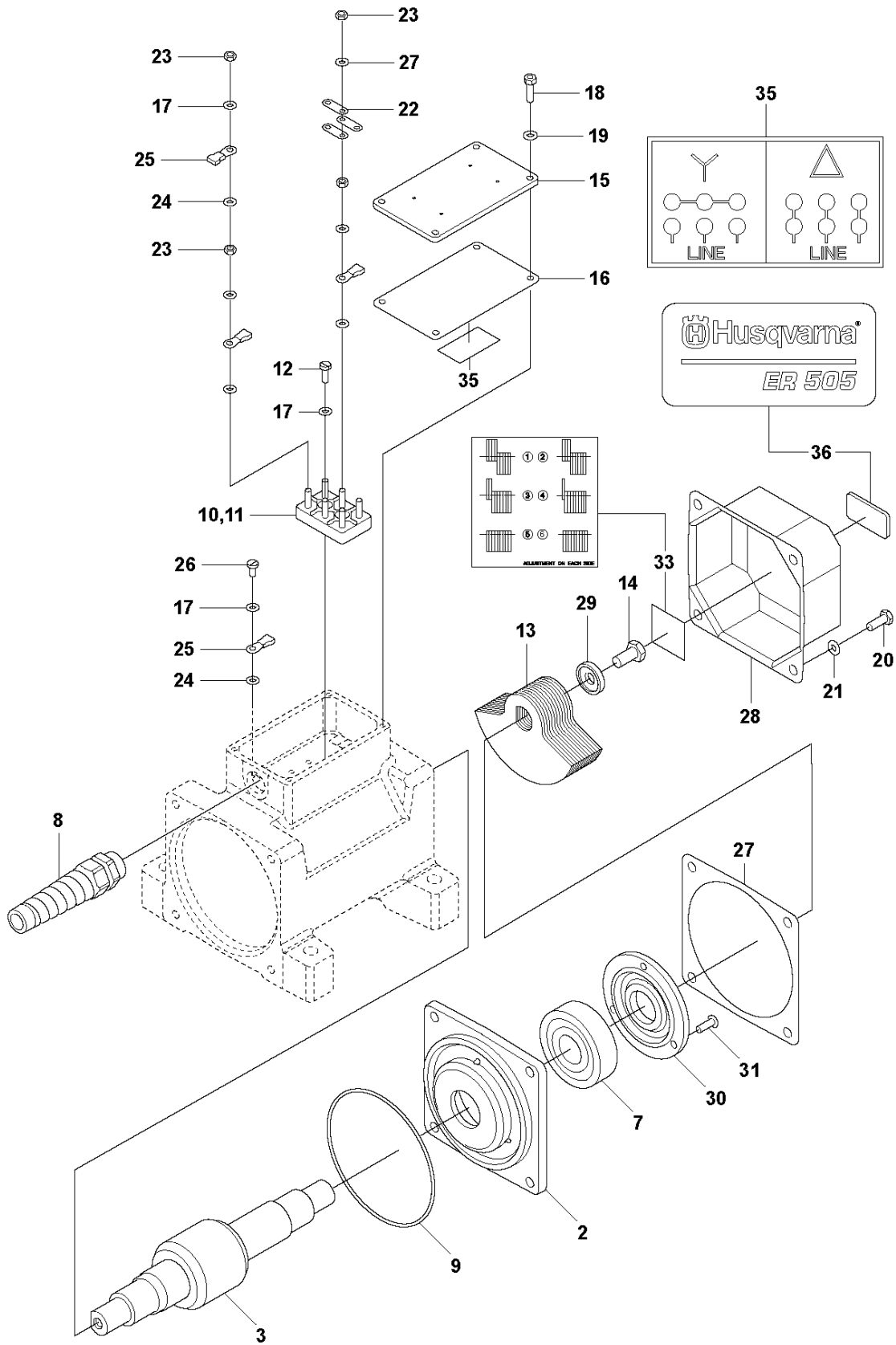
Ref	Part No	Description	Remark	QTY KIT
2	595 15 07-01	FLANGE		1
3	594 28 36-01	ROTOR		1
7	594 27 18-01	BALL BEARING	6305-ZZ/C3	2
8	595 15 08-01	EXCENTER		22
9	594 79 21-01	NUT	M16x1.5 ISO 4035 FZB	2
10	594 25 55-01	CONNECTING BOX		1
11	595 18 03-01	SCREW	M4x12 ISO 1207 4.8 ZnB	2
12	594 79 22-01	NUT	BS 13.5	1
13	595 14 55-01	O-RING	82.3x1.78 NBR 70 Shore	1
14	595 14 63-01	COVER		1
15	595 44 48-01	SEALING		1
16	595 05 36-01	SCREW	M5x16 ISO 4014 8.8 A2K	4
17	594 27 35-01	SPRING WASHER	M5 DIN 6798A	4
18	595 03 32-01	SCREW	M6x16 ISO 4017 8.8 A2K	8
19	595 11 35-01	WASHER	M6 ISO 10670 FZB	8
20	595 05 90-01	SCREW	M4x8 ISO 1207 4.8	1
21	594 79 11-01	NUT	M4 ISO 4032 BRASS	12
22	595 18 25-01	WASHER	M4 ISO 7092 BRASS	16
23	595 18 23-01	WASHER	M4 DIN 6798A	9
24	594 85 36-01	UNIT		10
25	595 44 66-01	STRIP		3
26	594 28 19-01	SEAL		2
27	594 28 18-01	COVER		2
28	594 12 47-01	RETAINER RING	D25 DIN 471	2
30	595 45 45-01	CONNECTOR		1
31	594 28 47-01	DECAL		2
33	599 36 34-02	DECAL		2

D ER405
PRODUCT COMPLETE

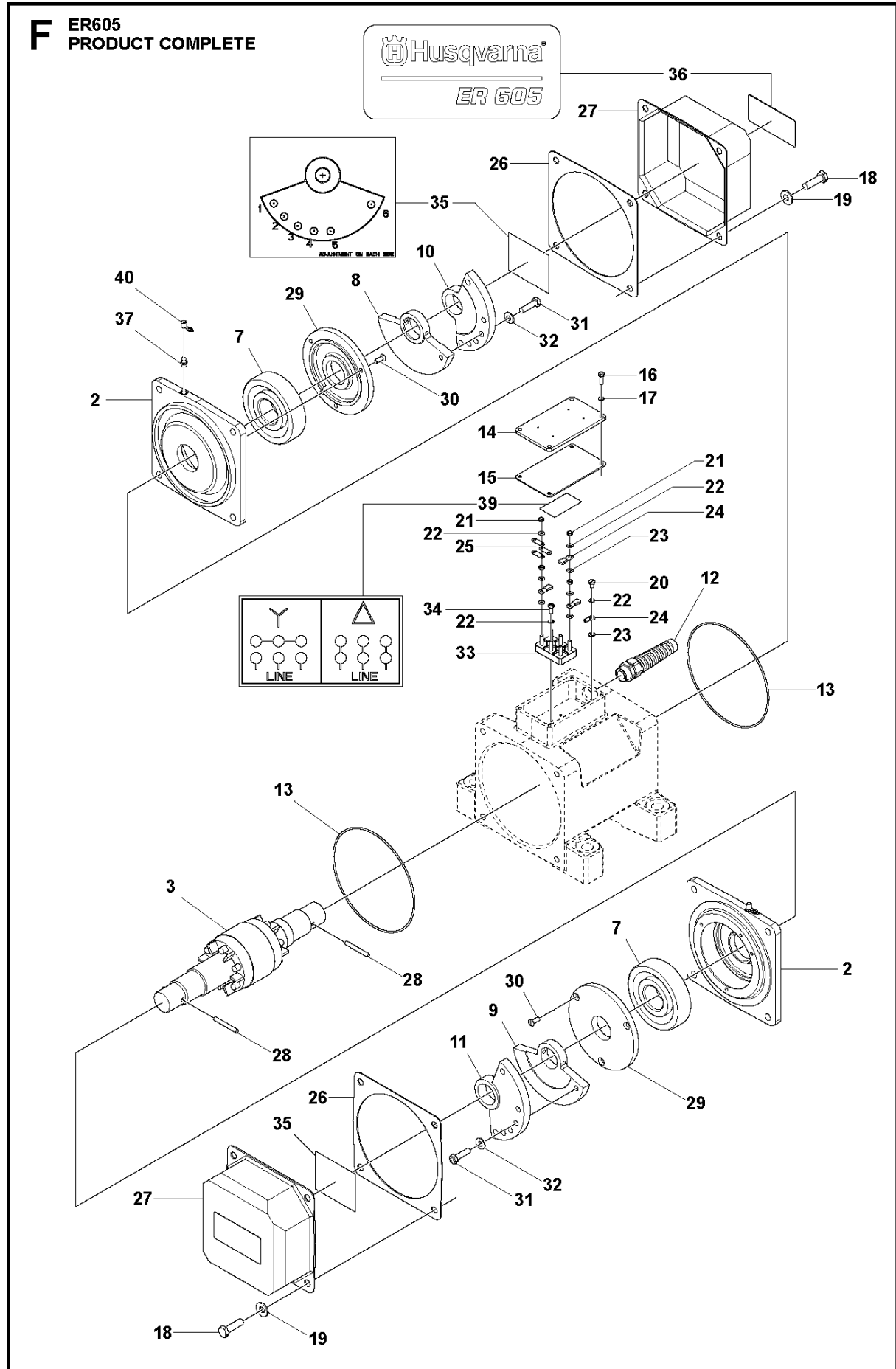


Ref	Part No	Description	Remark	QTY KIT
37	599 36 34-05	DECAL		2
2	595 15 09-01	FLANGE		2
3	595 44 75-01	ROTOR		1
7	595 14 22-01	BALL BEARING	6306/C3	2
8	595 15 11-01	EXCENTER		22
9	594 28 38-01	BLOCK		1
11	595 18 04-01	SCREW	M5x12 ISO 1207 4.8 ZnB	2
12	594 28 39-01	PISTON	BS 16	1
13	595 04 75-01	O-RING	120.32x2.62 NBR 70 Shore	2
14	594 28 21-01	COVER		1
15	594 28 22-01	SEAL		1
16	594 11 84-01	SCREW	M10x20 ISO 4017 8.8 A3K	2
17	595 05 36-01	SCREW	M5x16 ISO 4014 8.8 A2K	4
18	594 27 35-01	SPRING WASHER	M5 DIN 6798A	4
19	595 34 43-01	SCREW	M8x30 ISO 4017 8.8 A2K	8
20	595 11 36-01	WASHER	M8 ISO 10670	8
21	595 44 97-01	SCREW	M5x8 ISO 1207 4.8	1
22	595 44 63-01	NUT	M5 ISO 4032 BRASS	12
23	595 18 24-01	WASHER	M5 ISO 7090 BRASS	16
24	594 83 32-01	WASHER	M5 DIN 6798A	9
25	595 44 55-01	SPADE		10
26	594 79 05-01	STRIP		3
27	595 15 10-01	SEALING		2
28	594 28 20-01	COVER		2
29	595 44 74-01	WASHER		2
30	595 18 98-01	COVER		2
31	595 18 06-01	SCREW	M6x16 ISO 2009 4.8	6
33	594 28 47-01	DECAL		2
36	595 45 45-01	CONNECTOR		1

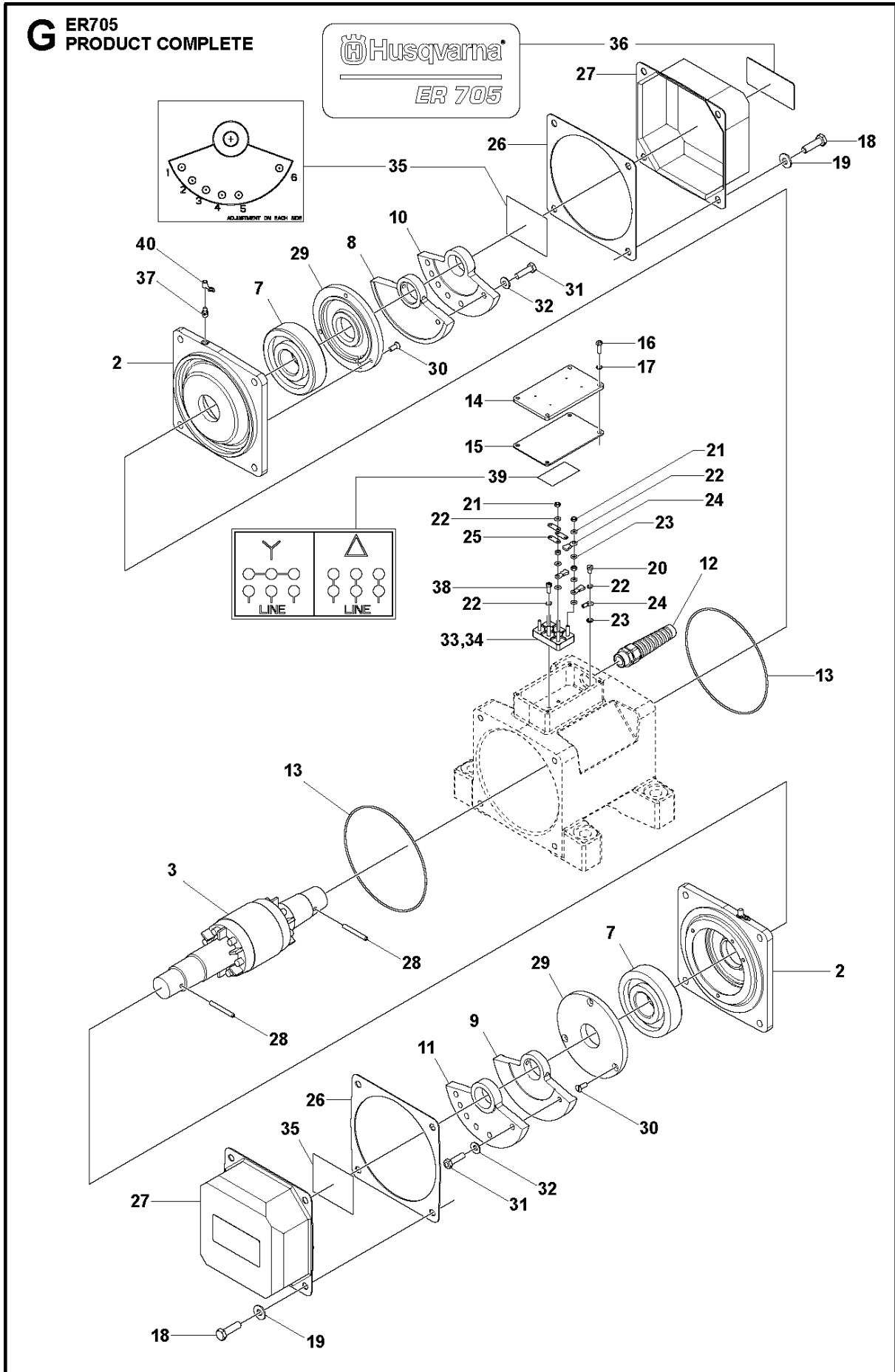
E ER505
PRODUCT COMPLETE



Ref	Part No	Description	Remark	QTY KIT
2	595 15 09-01	FLANGE		2
3	595 44 73-01	ROTOR		1
7	595 14 22-01	BALL BEARING	6306/C3	2
8	594 28 39-01	PISTON	BS 16	1
9	595 04 75-01	O-RING	120.32x2.62 NBR 70 Shore	2
10	594 28 38-01	BLOCK	6 poles, for ER 505 230/400 V 50 Hz and ER 505 600 V 60Hz	1
11	595 44 64-01	BOX	9 poles, for ER 505 230/460 V 60Hz	1
12	595 18 04-01	SCREW	M5x12 ISO 1207 4.8 ZnB	2
13	595 15 12-01	EXCENTER		22
14	594 11 84-01	SCREW	M10x20 ISO 4017 8.8 A3K	2
15	594 28 21-01	COVER		1
16	594 28 22-01	SEAL		1
17	594 83 32-01	WASHER	M5 DIN 6798A	9
18	595 05 36-01	SCREW	M5x16 ISO 4014 8.8 A2K	4
19	594 27 35-01	SPRING WASHER	M5 DIN 6798A	4
20	595 34 43-01	SCREW	M8x30 ISO 4017 8.8 A2K	8
21	595 11 36-01	WASHER	M8 ISO 10670	8
22	594 79 05-01	STRIP		3
23	595 44 63-01	NUT	M5 ISO 4032 BRASS	12
24	595 18 24-01	WASHER	M5 ISO 7090 BRASS	16
25	595 44 55-01	SPADE		10
26	595 44 97-01	SCREW	M5x8 ISO 1207 4.8	1
27	595 15 10-01	SEALING		2
28	594 28 20-01	COVER		2
29	595 44 74-01	WASHER		2
30	595 18 98-01	COVER		2
31	595 18 06-01	SCREW	M6x16 ISO 2009 4.8	6
33	594 28 47-01	DECAL		2
35	595 45 45-01	CONNECTOR		1
36	599 36 34-07	DECAL		2



Ref	Part No	Description	Remark	QTY KIT
2	594 28 32-01	FLANGE		2
3	595 15 30-01	ROTOR		1
7	594 25 97-01	BEARING		2
8	595 52 14-01	EXCENTER		1
9	595 52 12-01	EXCENTER		1
10	595 52 13-01	EXCENTER		1
11	595 44 79-01	EXCENTER		1
12	594 28 39-01	PISTON	BS 16	1
13	595 44 83-01	O-RING	158.42x2.62 NBR 70 Shore	2
14	594 28 21-01	COVER		1
15	594 28 22-01	SEAL		1
16	595 05 36-01	SCREW	M5x16 ISO 4014 8.8 A2K	4
17	594 27 35-01	SPRING WASHER	M5 DIN 6798A	4
18	594 11 86-01	SCREW	M10x30 ISO 4014 8.8 A2K	8
19	595 18 26-01	WASHER	M10 DIN 6796	8
20	595 44 97-01	SCREW	M5x8 ISO 1207 4.8	1
21	595 44 63-01	NUT	M5 ISO 4032 BRASS	12
22	594 83 32-01	WASHER	M5 DIN 6798A	9
23	595 18 24-01	WASHER	M5 ISO 7090 BRASS	16
24	595 44 55-01	SPADE		10
25	594 79 05-01	STRIP		3
26	594 28 45-01	SEALING		2
27	594 28 35-01	COVER		2
28	594 50 19-01	PIN		2
29	594 55 29-01	DEFLECTOR		2
30	595 18 06-01	SCREW	M6x16 ISO 2009 4.8	6
31	595 34 43-01	SCREW	M8x30 ISO 4017 8.8 A2K	2
32	595 11 36-01	WASHER	M8 ISO 10670	2
33	594 28 38-01	BLOCK		1
34	595 18 05-01	SCREW	M5x16 ISO 1207 4.8 ZnB	2
35	594 79 24-01	DECAL		2
36	599 36 34-09	DECAL		2
37	594 12 68-01	LUBRICATION NIPPLE		2
39	595 45 45-01	CONNECTOR		1
40	595 17 91-01	PLUG		2



Ref	Part No	Description	Remark	QTY KIT
2	594 28 32-01	FLANGE		2
3	594 28 44-01	ROTOR		1
7	594 25 97-01	BEARING		2
8	594 28 42-01	EXCENTER		1
9	594 28 33-01	INNER PLATE		1
10	594 28 34-01	EXCENTER		1
11	594 28 43-01	EXCENTER		1
12	594 28 39-01	PISTON	BS 16	1
13	595 44 83-01	O-RING	158.42x2.62 NBR 70 Shore	2
14	594 28 21-01	COVER		1
15	594 28 22-01	SEAL		1
16	595 05 36-01	SCREW	M5x16 ISO 4014 8.8 A2K	4
17	594 27 35-01	SPRING WASHER	M5 DIN 6798A	4
18	594 11 86-01	SCREW	M10x30 ISO 4014 8.8 A2K	8
19	595 18 26-01	WASHER	M10 DIN 6796	8
20	595 44 97-01	SCREW	M5x8 ISO 1207 4.8	1
21	595 44 63-01	NUT	M5 ISO 4032 BRASS	12
22	594 83 32-01	WASHER	M5 DIN 6798A	9
23	595 18 24-01	WASHER	M5 ISO 7090 BRASS	16
24	595 44 55-01	SPADE		10
25	594 79 05-01	STRIP		3
26	594 28 45-01	SEALING		2
27	594 28 35-01	COVER		2
28	594 50 19-01	PIN		2
29	594 55 29-01	DEFLECTOR		2
30	595 18 06-01	SCREW	M6x16 ISO 2009 4.8	6
31	595 34 43-01	SCREW	M8x30 ISO 4017 8.8 A2K	2
32	595 11 36-01	WASHER	M8 ISO 10670	2
33	594 28 38-01	BLOCK	6 poles, for ER 705 230/400 V 50 Hz and ER 705 500 V 50 Hz	1
34	595 44 64-01	BOX	9 poles, for ER 705 500 V 60Hz and ER 705 600 V 60Hz	1
35	594 79 24-01	DECAL		2
36	599829001	TBD		2
37	594 12 68-01	LUBRICATION NIPPLE		2
38	595 18 05-01	SCREW	M5x16 ISO 1207 4.8 ZnB	2
39	595 45 45-01	CONNECTOR		1
40	595 17 91-01	PLUG		2