

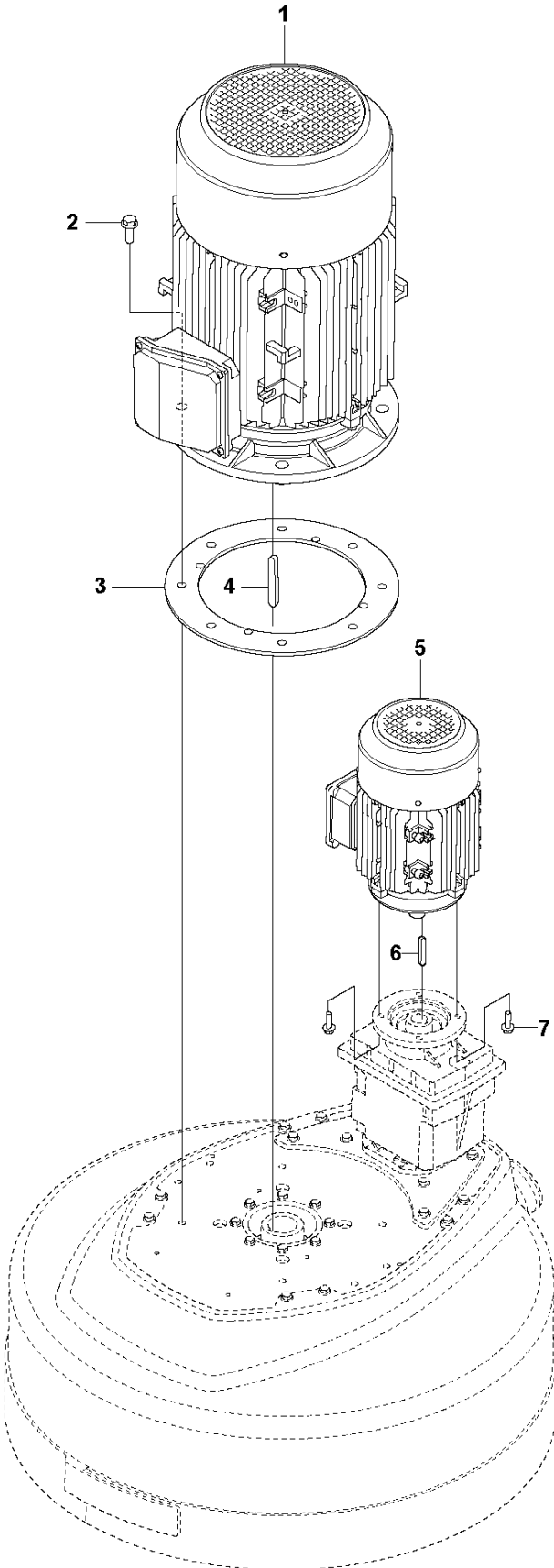


# SPARE PARTS LIST

SURFACE PREPARATION EQUIPMENT

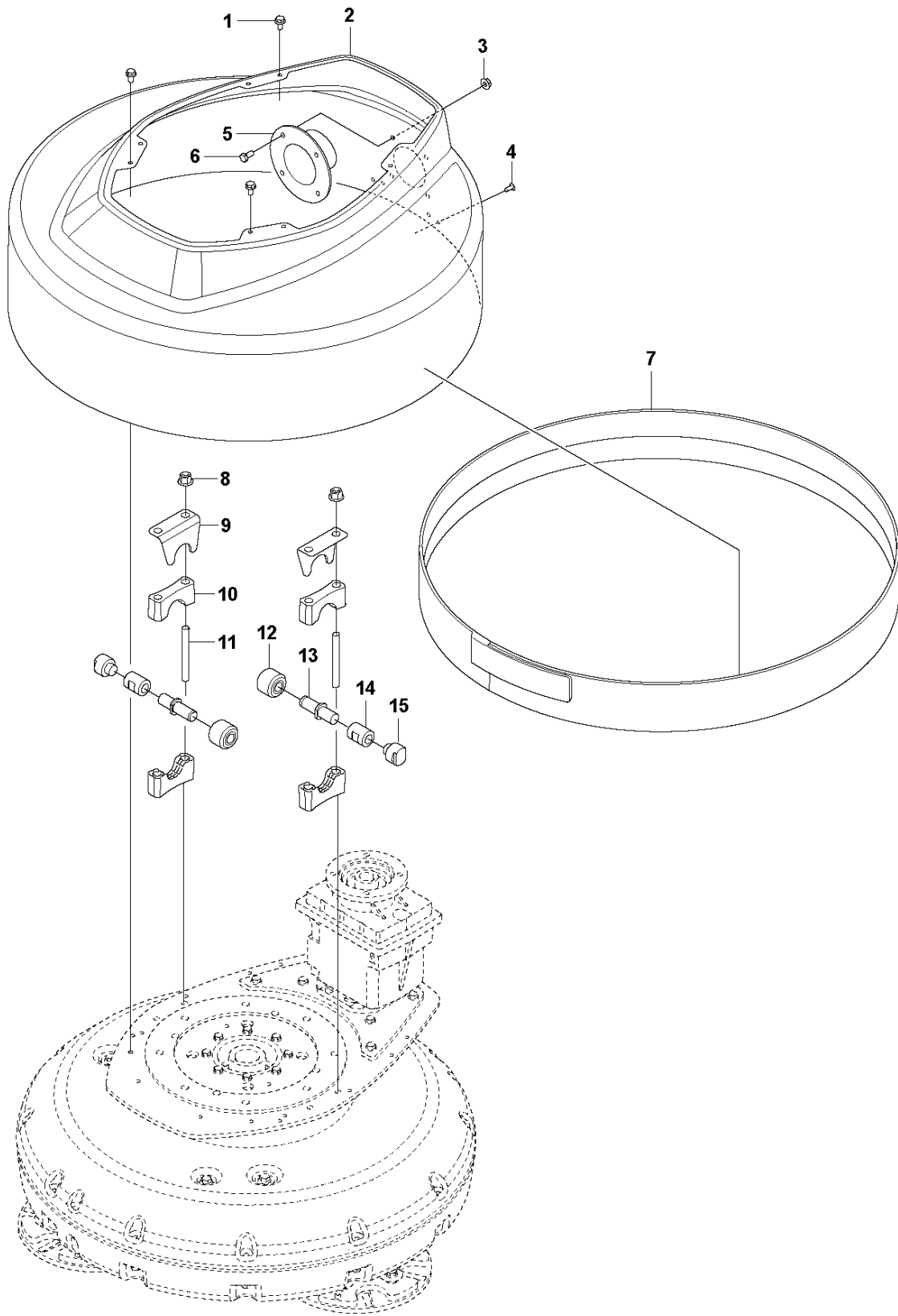
PG 830, 2020-06

**A** PG 830  
MOTOR



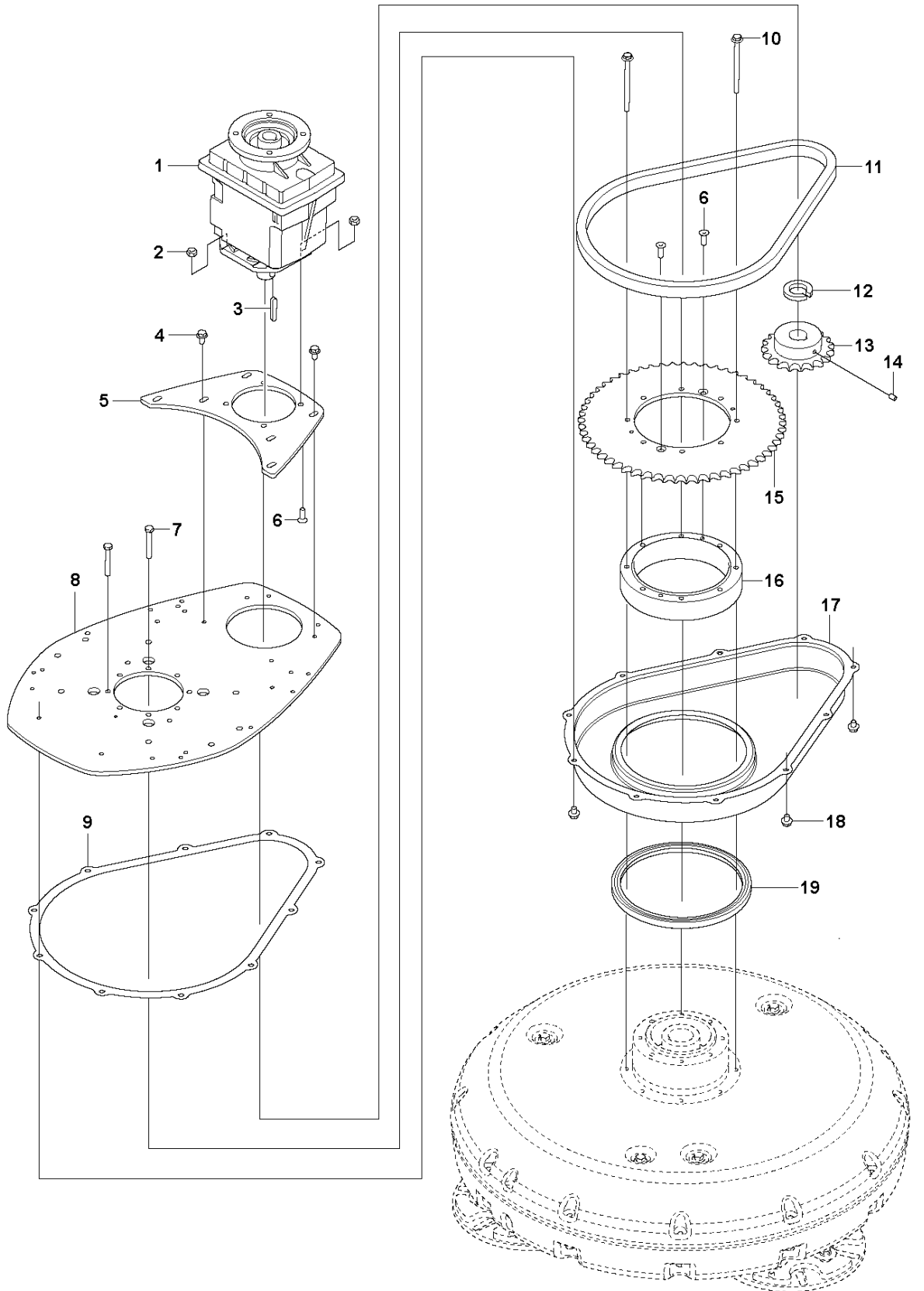
Ref	Part No	Description	Remark	QTY KIT
1	593 56 04-01	MOTOR	15KW, 230/400V 50/60Hz	1
1	595 53 09-01	MOTOR	11KW, 230/400V 50/60Hz	1
2	598 74 98-01	SCREW	M12x35 DRI-SEAL	4
3	597 25 51-01	SEAL		1
4	000 00 00-00	W/O DESCRIPTION	L=88mm W=12mm t=8mm	1
5	597 77 41-01	MOTOR	1,5KW 230-400V 50/60Hz	1
6	000 00 00-00	W/O DESCRIPTION	L=40mm W=8mm t=7mm	1
7	506 57 01-05	SCREW EHHFM	M8x25	4

**B** PG 830  
GRINDING HEAD, OUTER



Ref	Part No	Description	Remark	QTY KIT
1	597 72 09-01	SCREW	M8x10	8
2	597 45 43-01	DUST COVER		1
3	576 64 57-03	NUT FLANGE	M6 Nylon lock	4
4	593 50 08-01	RIVET		4
5	599 31 60-01	HOSE CONNECTOR		1
6	531 11 94-26	SCREW		4
7	598 03 43-02	RUBBER SKIRT		1
8	576 64 57-06	NUT FLANGE	M12 Nylon lock	4
9	598 77 80-01	STOP	Suspension Bushing	2
10	593 54 20-01	CLAMP	Suspension	4
11	597 80 33-01	STUD		4
12	593 53 90-01	SUSPENSION	rubber	2
13	593 53 83-01	AXLE		2
14	593 53 84-01	NUT	Grinding head suspension	2
15	598 39 97-01	SUPPORT	Support	2

**C** PG 830  
GEARBOX & TRANSMISSION

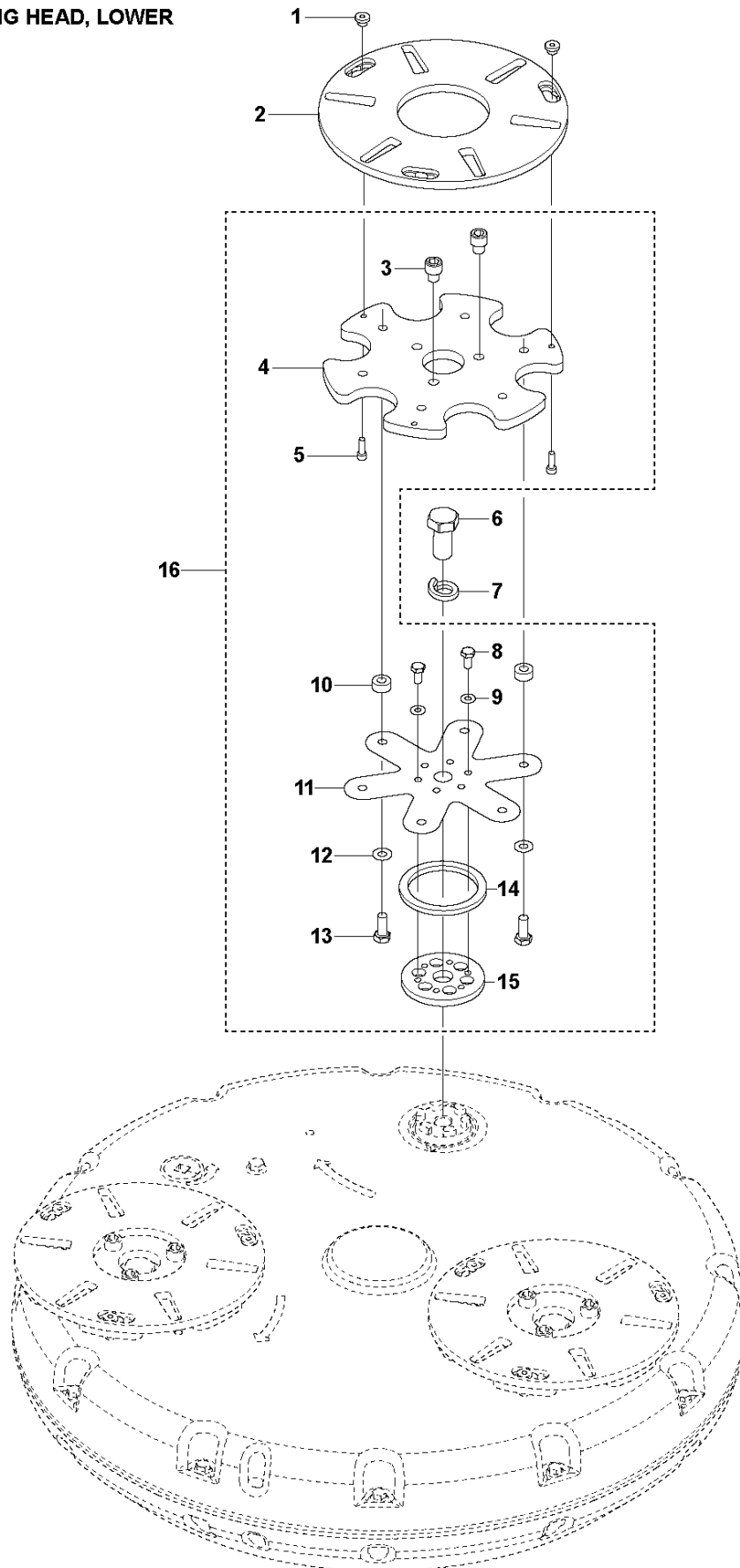


## GEARBOX &amp; TRANSMISSION

PG 830, 2020-06

Ref	Part No	Description	Remark	QTY KIT
1	597 60 59-01	GEARBOX		1
2	522 91 94-01	LOCK NUT	M8 Lock Nut	4
3	000 00 00-00	W/O DESCRIPTION	L=50mm W=8mm t=7mm	1
4	506 57 01-03	SCREW EHHFM	M8x16	6
5	597 60 77-01	PLATE	Secondary motor	1
6	725 64 53-01	SCREW IHCSFM	M8x25	6
7	725 24 62-51	SCREW EHHM	M8x55	8
8	597 54 41-01	PLATE	DD motor base 830	1
9	597 70 70-01	SEAL	Housing, 830	1
10	598 74 96-01	SCREW	M8x110	8
11	597 60 37-01	CHAIN	DD 830	1
12	597 70 73-01	SPACER RING	Driving Sprocket	1
13	597 60 32-01	SPROCKET	Drive	1
14	505 39 03-01	SCREW IHSETM	M8x12 Lock	1
15	597 60 33-01	SPROCKET	Driven DD 830	1
16	597 60 53-01	SPACER RING	Driven sprocket	1
17	597 60 55-01	TRANSMISSION COVER	DD 830	1
18	597 72 09-01	SCREW	M8x10 Lock	10
19	597 60 58-01	RADIAL SEAL	210x240x15	1

**D** PG 830  
GRINDING HEAD, LOWER



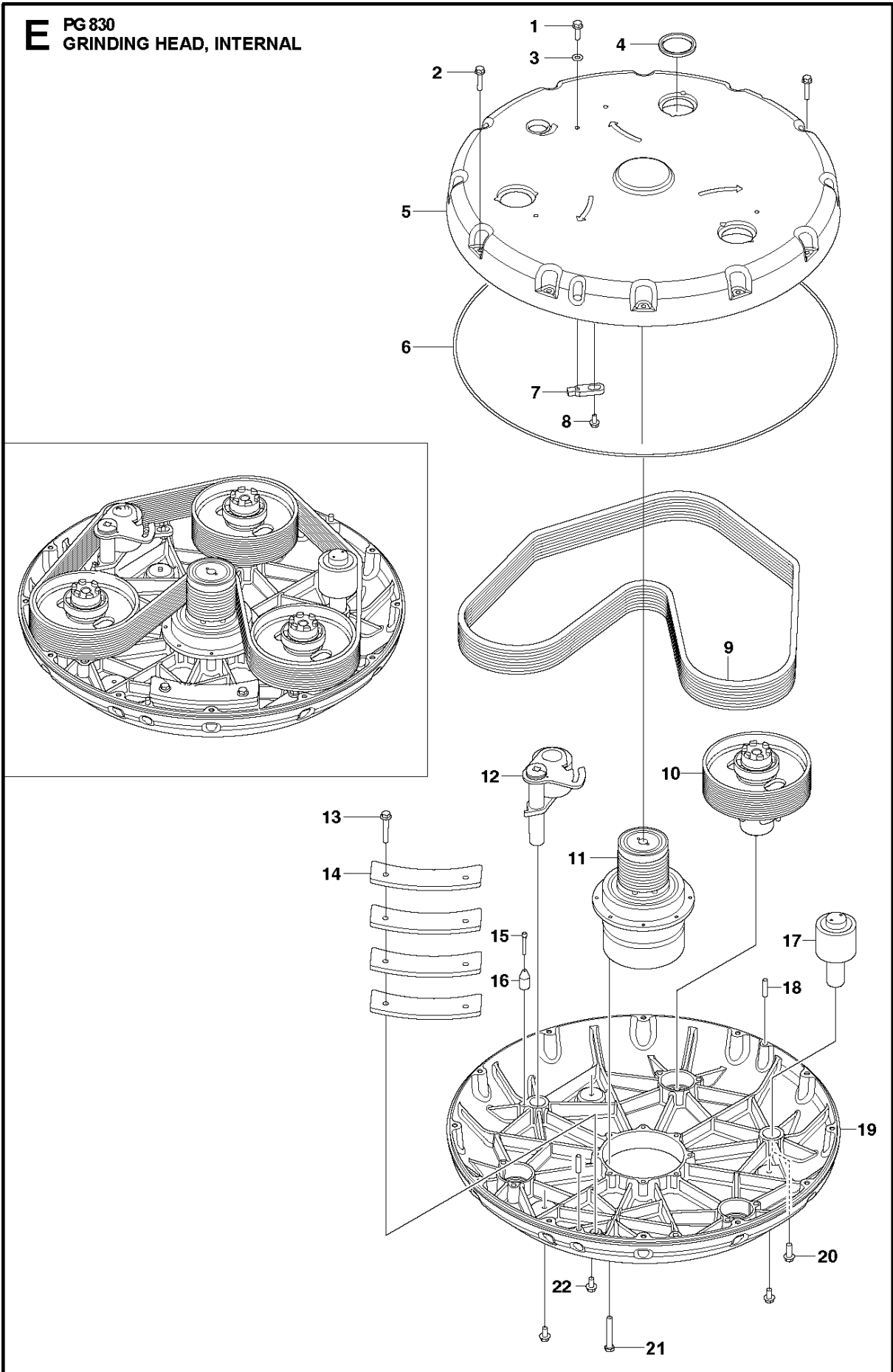


## GRINDING HEAD, LOWER

PG 830, 2020-06

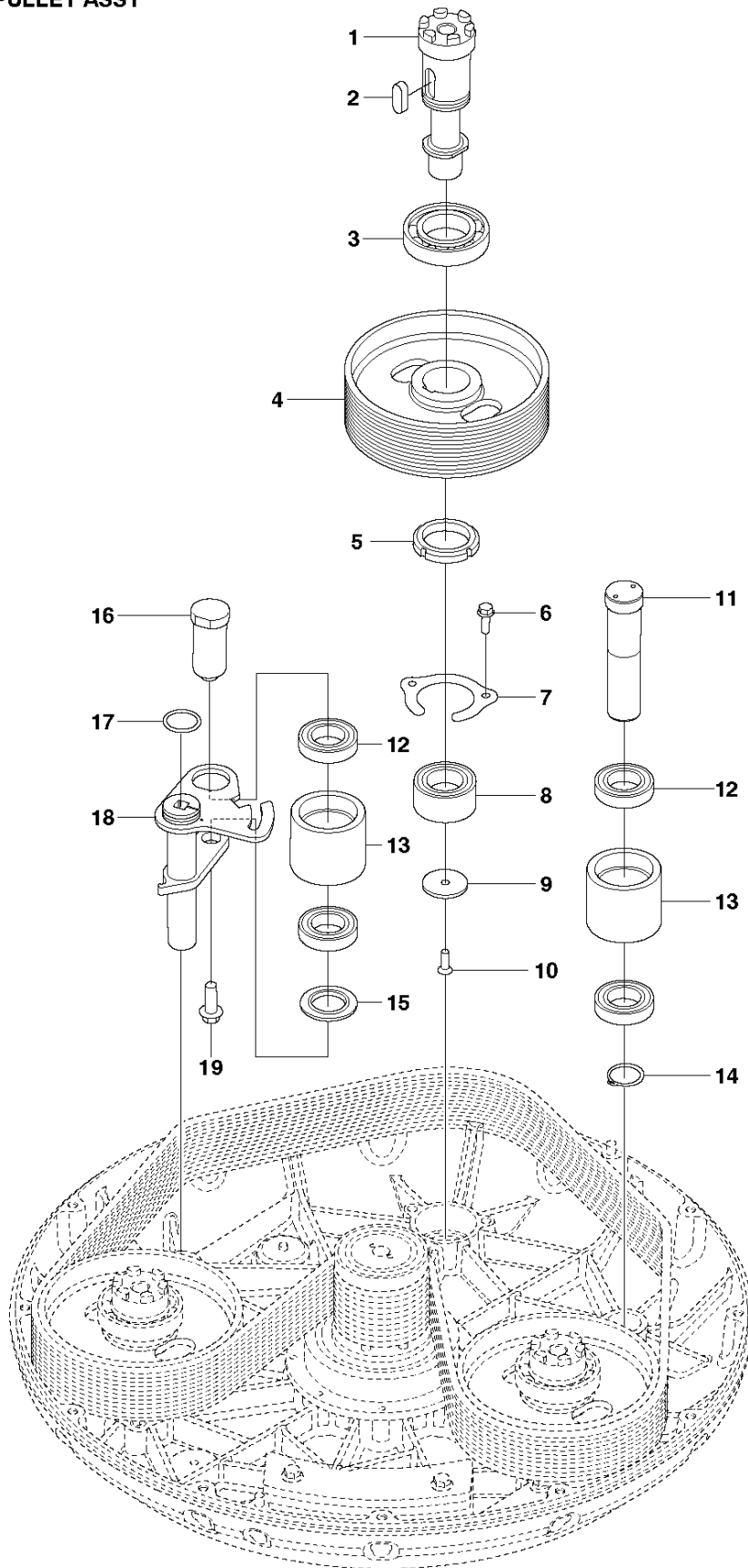
Ref	Part No	Description	Remark	QTY KIT	
1	587 45 14-01	LOCK	M6 drylock	3	
2	502 53 22-01	HOLDER		1	
3	597 16 23-01	SCREW	M12x12 12.9	3	16
4	502 53 40-02	PLATE	Head - Spring steel system	1	16
5	725 53 70-51	SCREW IHSCM	M6x20 12.9	3	16
6	504 74 89-01	SCREW EHHM	M20x40	3	
7	504 74 96-03	LOCKWASHER	20	1	
8	503 20 00-45	SCREW EHHFM	M8x16 10.9	6	16
9	734 11 63-01	WASHER	8.4x16x1.6	6	16
10	502 53 40-14	SPACER	10/20x11	6	16
11	502 53 42-01	SPRING	Grinding holder spring	1	16
12	734 11 72-01	WASHER	10.5x20x2	6	16
13	725 24 93-76	SCREW EHHM	M10x25 10.9	6	16
14	502 53 40-05	RUBBER RING	Coupling seal	1	16
15	502 53 40-06	HUB		1	16
16	502 53 40-01	SPRING	Kit assy	3	

**E** PG 830  
GRINDING HEAD, INTERNAL



Ref	Part No	Description	Remark	QTY KIT
1	585 98 04-01	SCREW EHHFM	M10x30	2
2	593 51 37-01	SCREW	M8x45	9
3	593 96 42-01	WASHER	10x20x1 - Copper	1
4	593 48 72-01	RADIAL SEAL	60x75x8	3
5	595 76 09-01	HOUSING	T8 Bottom	1
6	593 48 75-01	O-RING		1
7	593 53 81-01	TENSIONER	Locking plate	1
8	593 96 40-01	SCREW	M8x16	1
9	593 49 03-01	BELT	T8	1
10	598 47 53-01	SHAFT ASSY	Complete Idle Pulley 830	1
11	597 77 07-01	HUB ASSY	Complete Center Pulley 830	1
12	593 54 37-01	BELT TENSIONER		1
13	595 68 15-01	SCREW	M10x60	2
14	595 71 38-01	COUNTERWEIGHT	Weight T8	4
15	593 51 04-01	SCREW	M6x50	1
16	595 71 39-01	TENSIONER		1
17	593 71 82-01	KIT	Kit	1
18	595 68 32-01	PIN	10x26	2
19	595 76 08-01	HOUSING	T8 Top	1
20	593 96 41-01	SCREW	M10x30	1
21	598 74 96-01	SCREW	M8x110	8
22	597 55 20-01	SCREW	M10x20	6

**F** PG 830  
IDLER PULLEY ASSY

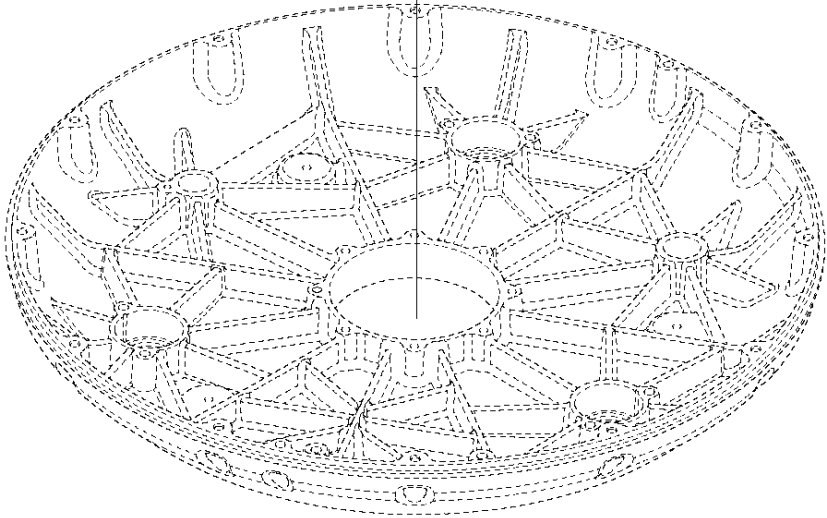
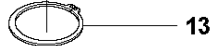
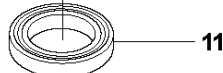
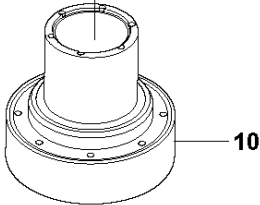
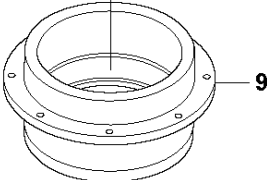
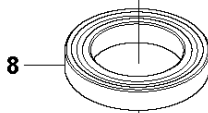
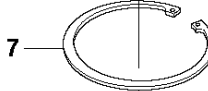
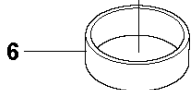
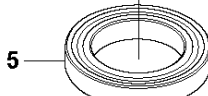
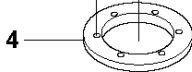
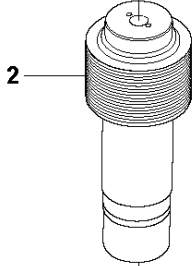
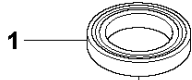


## IDLER PULLEY ASSY

PG 830, 2020-06

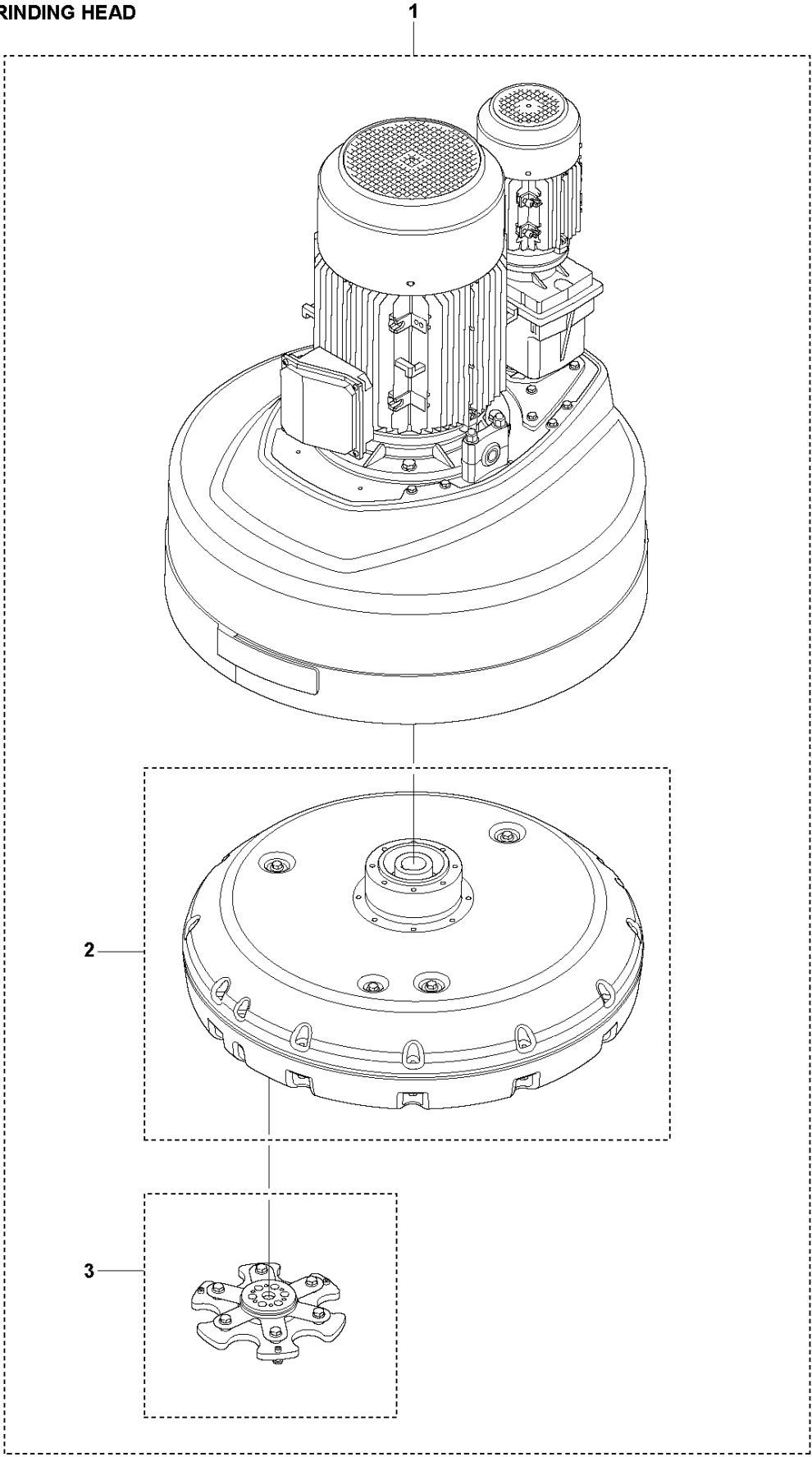
Ref	Part No	Description	Remark	QTY KIT
1	598 02 75-01	SHAFT		1
2	593 48 76-01	KEY	14X9X36 H9	1
3	593 49 27-01	BALL BEARING	6210-2Z C3	1
4	595 75 76-01	PULLEY		1
5	593 48 79-01	NUT	KM10 DIN 981	1
6	506 57 01-05	SCREW EHHFM	M8x25	6
7	595 71 00-01	WASHER	Grinding Shaft	3
8	593 48 77-01	BEARING	Hub	1
9	595 70 99-01	WASHER	Pretension washer	1
10	593 50 17-01	SCREW	M8x25	1
11	595 76 05-01	AXLE		1
12	593 49 28-01	BALL BEARING	6007-2Z C3	4
13	595 70 98-01	PULLEY	Idler Ø80	2
14	593 49 81-01	CIRCLIP	35x1.5,external	1
15	595 75 73-01	SPACER		1
16	595 76 14-01	AXLE		1
17	593 48 78-01	O-RING	34.2x3	1
18	595 76 06-01	TENSIONER	Weldment	1
19	595 68 01-01	SCREW	M12x35	1

**G** PG 830  
CENTER HUB ASSY



Ref	Part No	Description	Remark	QTY KIT
1	593 49 26-01	BALL BEARING	6013-2Z C3	1
2	595 75 99-01	PULLEY	Center	1
3	593 51 42-01	SCREW	M6x20	6
4	597 72 21-01	RETAINER		1
5	593 62 99-01	BALL BEARING	6018-2RS1	1
6	595 71 31-01	SPACER		1
7	595 67 98-01	CIRCLIP	140x4, internal	1
8	593 62 99-01	BALL BEARING	6018-2RS1	1
9	595 71 30-01	HUB	Hub outer	1
10	593 54 29-01	HUB	Center	1
11	593 49 26-01	BALL BEARING	6013-2Z C3	1
12	593 50 30-01	CIRCLIP	100x3, internal	1
13	593 50 29-01	CIRCLIP	65x2.5, external	1

**H** PG 830  
GRINDING HEAD



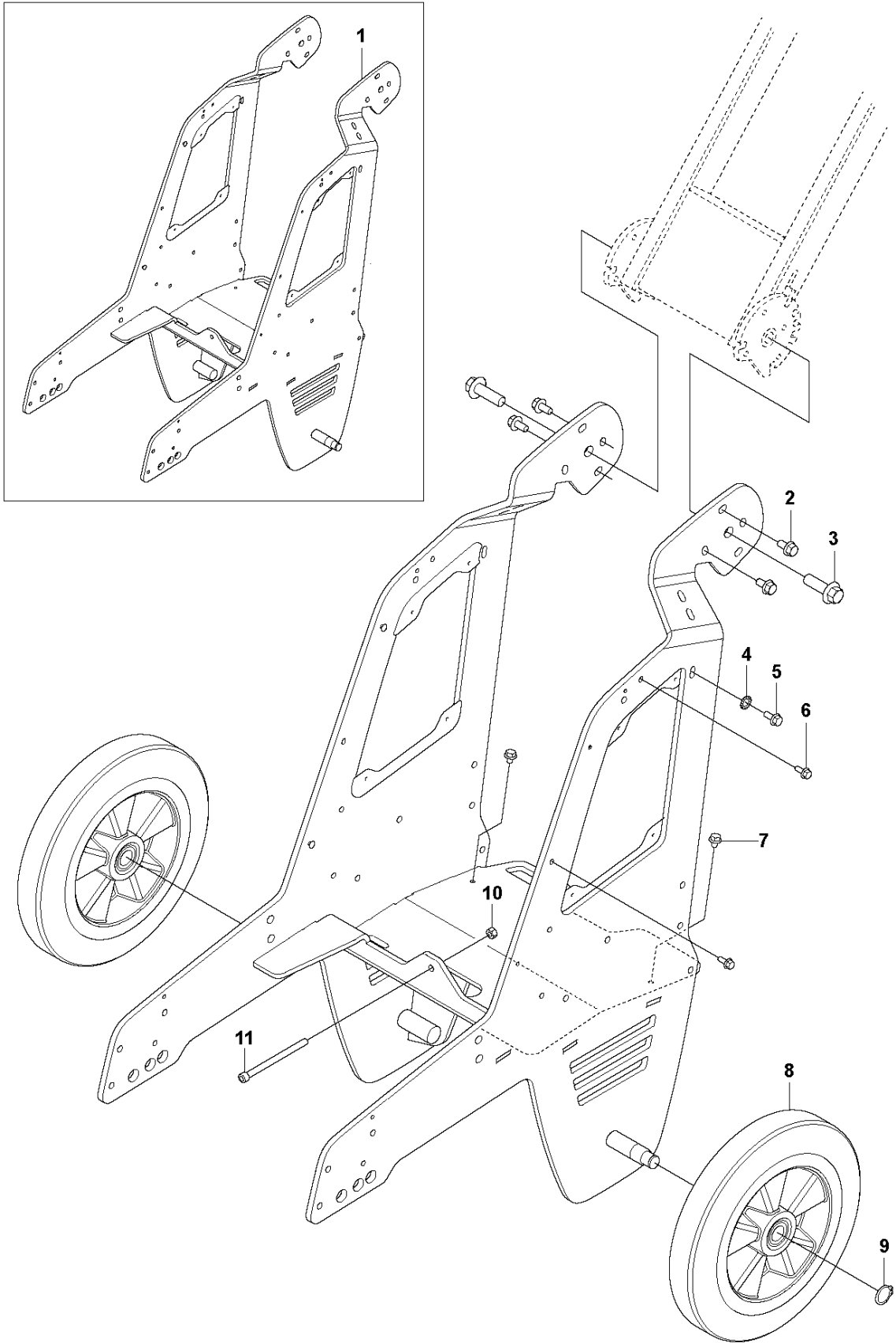


GRINDING HEAD

PG 830, 2020-06

Ref	Part No	Description	Remark	QTY KIT	
1	597 74 27-01	GRINDING HEAD	incl Motor, Shroud & Tool Holders	1	
2	597 76 99-01	GRINDING HEAD	excl Motor and Dual Drive	1	1
3	502 53 40-01	SPRING	CPL Tool Holder, Head Locks	3	1

**J** PG 830  
CHASSIS

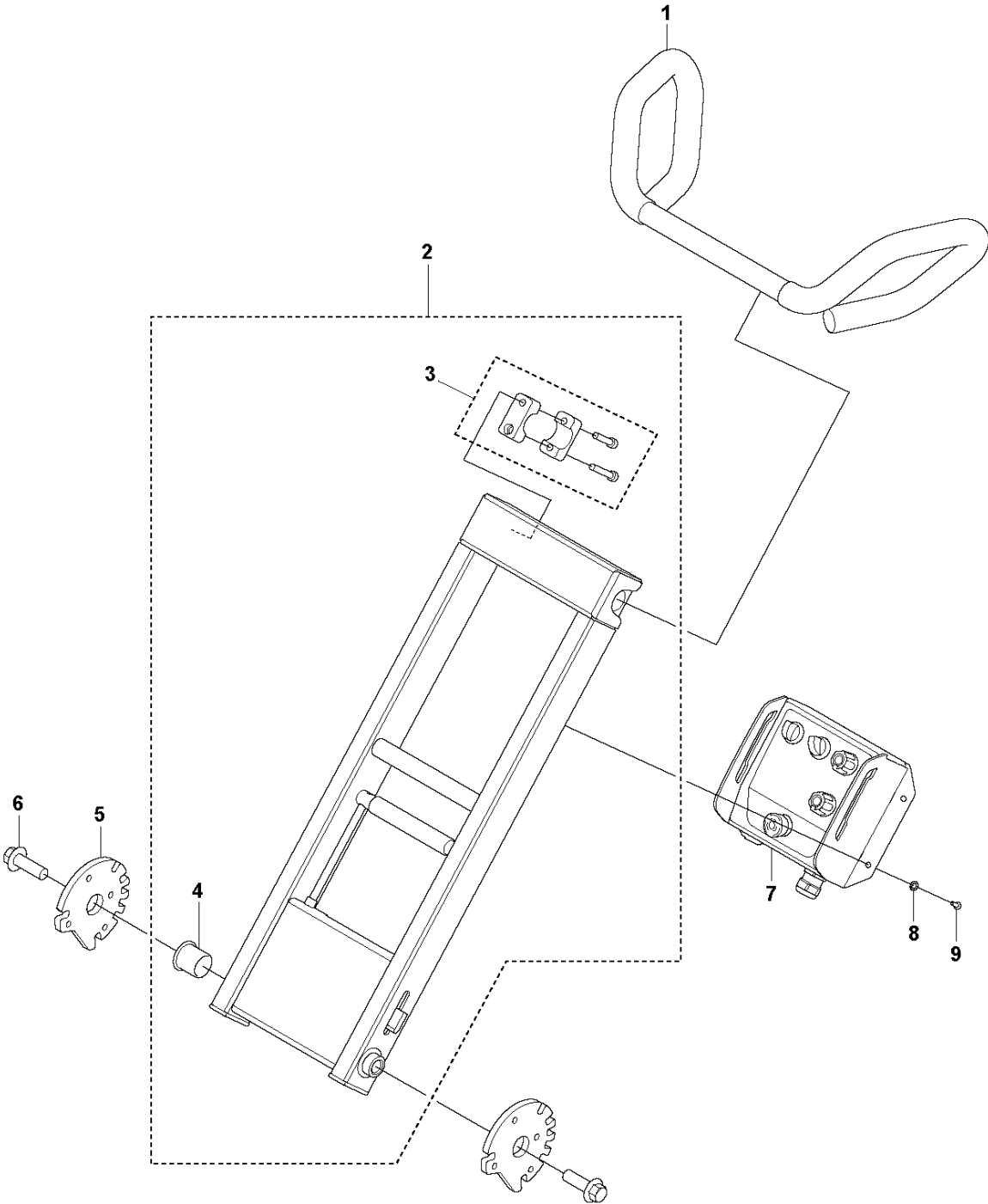


## CHASSIS

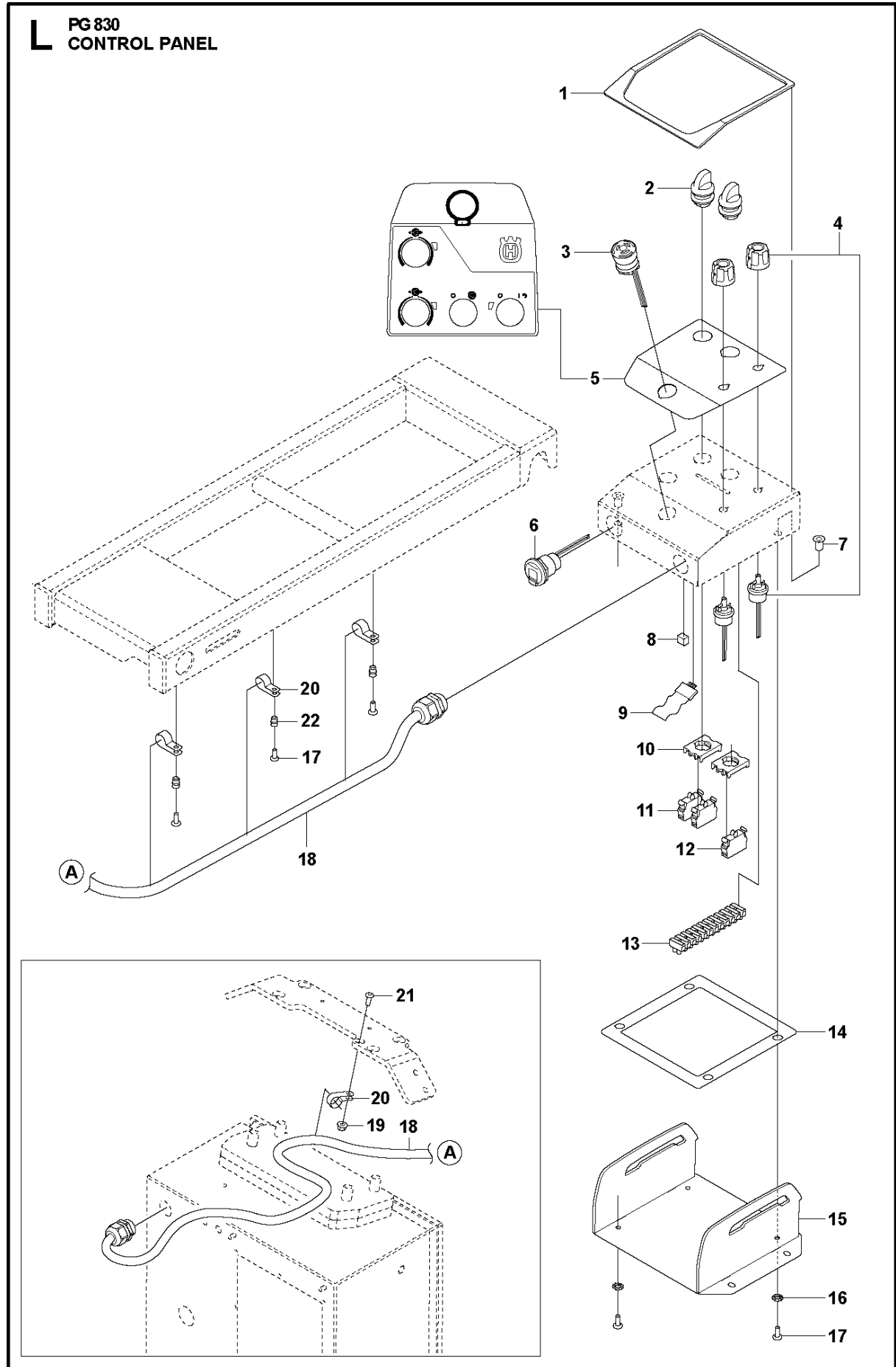
PG 830, 2020-06

Ref	Part No	Description	Remark	QTY KIT
1	596 61 20-01	FRAME ASSY	Weld Assy	1
2	593 51 48-01	SCREW	M10x20	8
3	582 64 48-01	BOLT	M16x50	2
4	735 21 64-01	LOCKWASHER	8.4x15	4
5	506 57 01-04	SCREW EHHFM	M8x20	2
6	585 98 06-01	SCREW EHHFM	M6x16	6
7	597 72 09-01	SCREW	M8x10	2
8	597 34 58-01	WHEEL	PG Push	2
9	735 31 26-01	CIRCLIP	25x1.2, external	2
10	731 23 22-01	HEXAGON NUT	M12	1
11	725 25 38-71	SCREW EHHM	M12x35	1

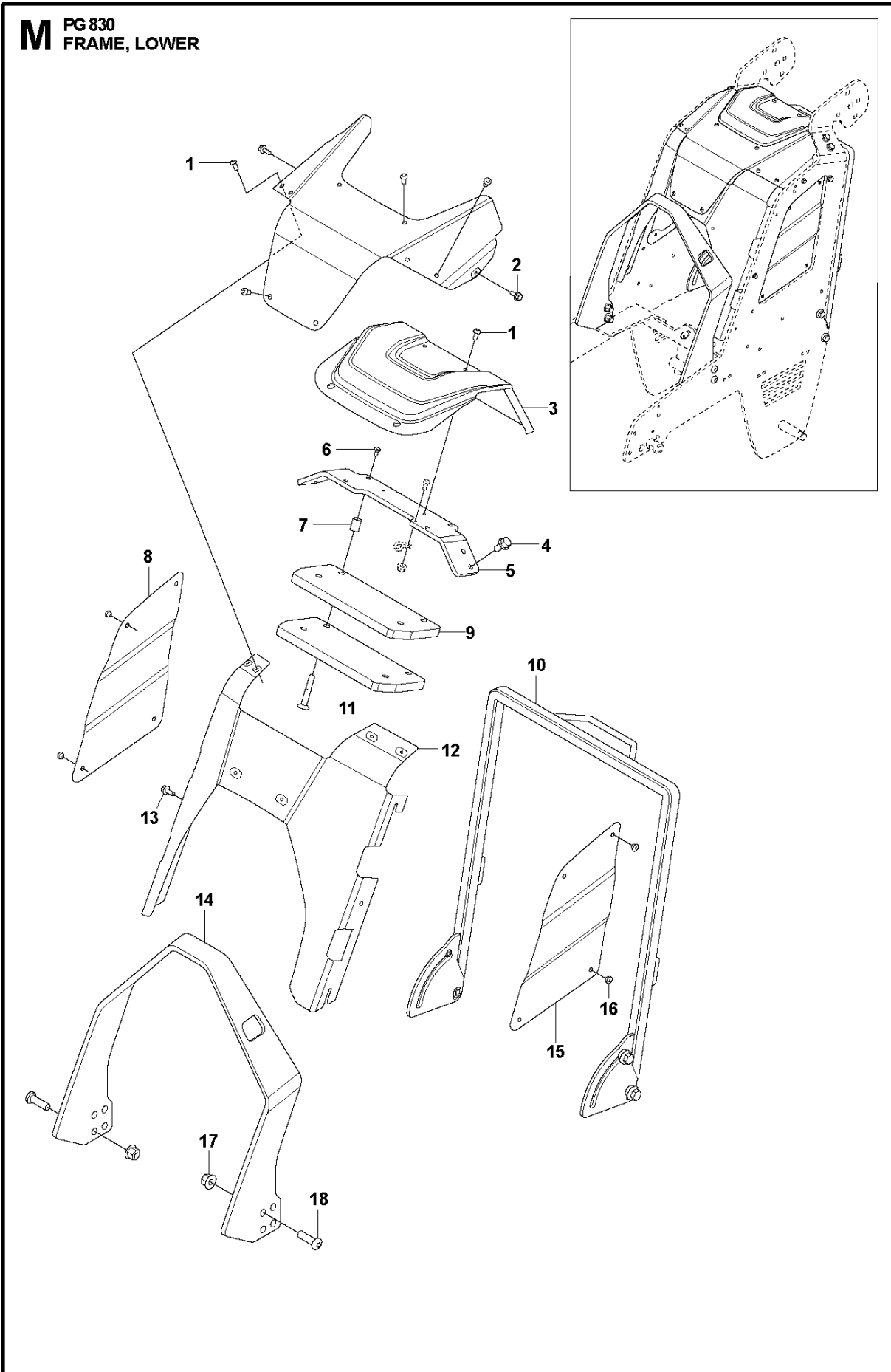
**K** PG 830  
FRAME, UPPER



Ref	Part No	Description	Remark	QTY	KIT
1	597 18 39-01	HANDLE		1	
2	597 80 35-01	HANDLEBAR ASSY	Pre-assembled arm	1	
3	599 65 64-01	CLAMP		2	2
4	597 79 70-01	BUSHING		2	2
5	596 61 24-01	LOCKING PLATE		2	
6	582 64 48-01	BOLT	M16x50	2	
7	599 77 21-01	CONTROL PANEL	HMI assy 690/830 DD	1	
8	735 21 53-01	LOCKWASHER	6.4x11	4	
9	531 11 94-26	SCREW	M6x16	4	

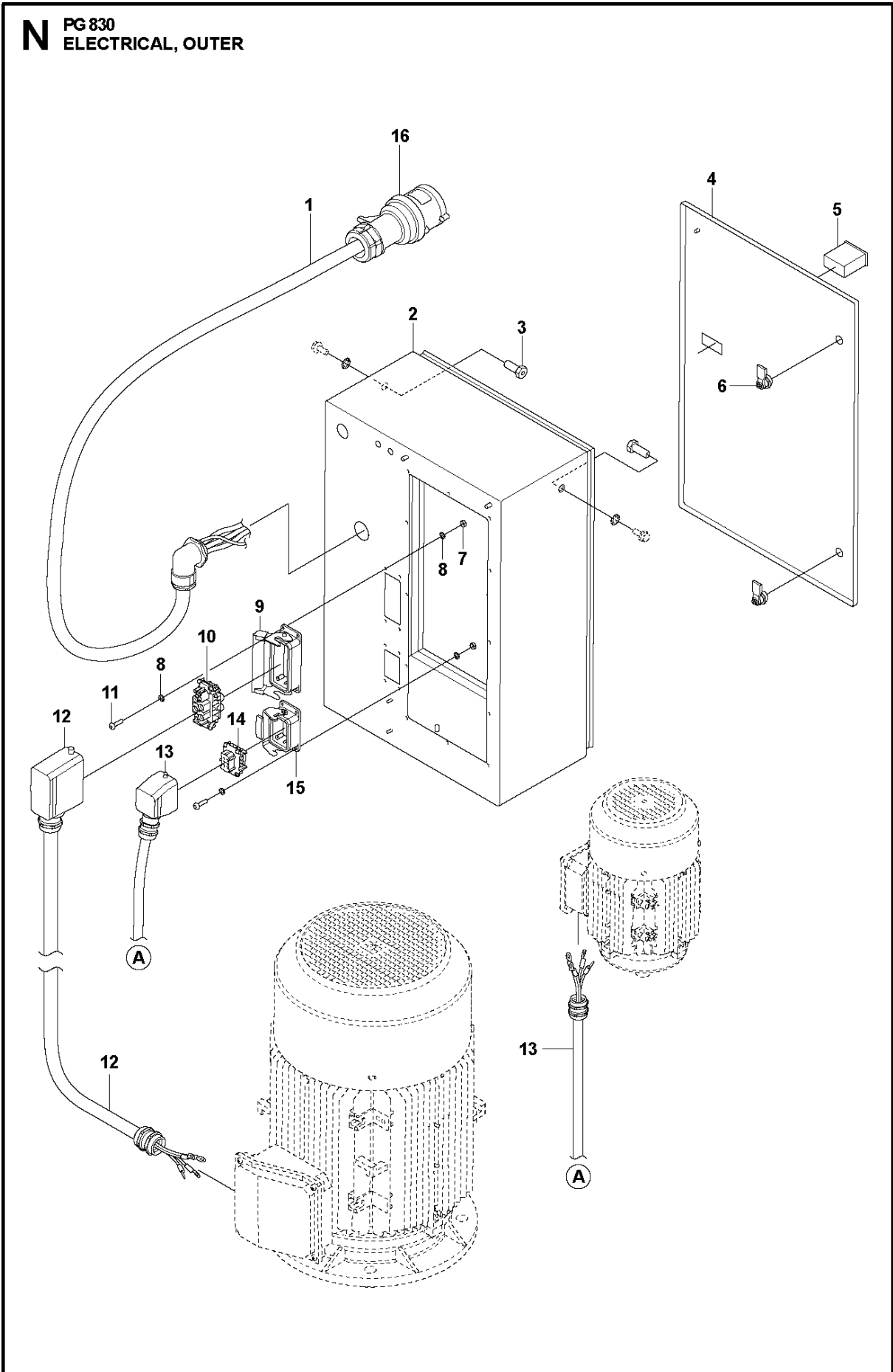


Ref	Part No	Description	Remark	QTY KIT
1	597 65 41-01	PLATE		1
2	598 53 98-01	SWITCH		3
3	598 54 15-01	SWITCH		1
4	587 28 36-01	SWITCH		2
5	598 55 89-01	STICKER	HMI Decal	1
6	598 55 60-01	CONTACT	With cap	1
7	591 95 78-01	RIVET	M5 Rivet Nut	4
8	598 74 58-01	REGULATOR	DC/DC Converter	1
9	598 92 65-01	CABLE	Adapter for overlay	1
10	598 53 95-01	SWITCH		3
11	598 55 70-01	CONTACT	EATON M22-K01/216378	2
12	598 54 00-01	CONTACT	EATON M22-K10/216376	2
13	598 55 71-01	TERMINAL BLOCK	Terminal block, 4mm <sup>2</sup>	1
14	598 42 96-01	GASKET	Gasket, HMI	1
15	597 64 61-01	BRACKET	Holder, HMI	1
16	735 21 46-01	LOCKWASHER	5.3x10	4
17	593 50 91-01	SCREW	M5x12	7
18	598 53 91-01	FITTING	M25 Ø8-17 Black	1
19	576 64 57-03	NUT FLANGE	M6 Nylon lock	1
20	589 66 91-01	CLIP	Cable clip	4
21	522 66 90-01	SCREW IHSCFM	M6x20	1
22	597 97 82-01	RIVET	M5 Rivet Nut	3





Ref	Part No	Description	Remark	QTY KIT
1	531 11 94-26	SCREW	M6x16 Torx	10
2	585 98 06-01	SCREW EHHFM	M6x16 Flange	2
3	598 48 91-01	COVER		1
4	593 51 48-01	SCREW	M10x20	4
5	596 61 39-01	FRAME BRACKET		1
6	598 92 13-01	SCREW	M8x16	4
7	598 48 01-01	DISTANCE	20x15x12	4
8	597 24 97-01	COVER	Right	1
9	596 61 41-01	COUNTERWEIGHT		2
10	598 45 79-01	BAR	Assy	1
11	598 92 12-01	SCREW	M8x35	4
12	597 94 67-01	FRONT COVER		1
13	585 98 06-01	SCREW EHHFM	M6x16 Flange	4
14	597 39 89-01	LIFTING ARM		1
15	597 24 97-02	COVER	Left	1
16	593 50 08-01	RIVET	Blind rivet 4,8x12	8
17	576 64 57-06	NUT FLANGE	M12 Nylon Lock Nut	4
18	598 74 93-01	SCREW	M12x40 10.9	4

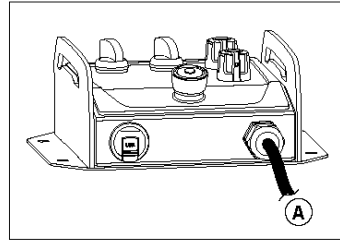
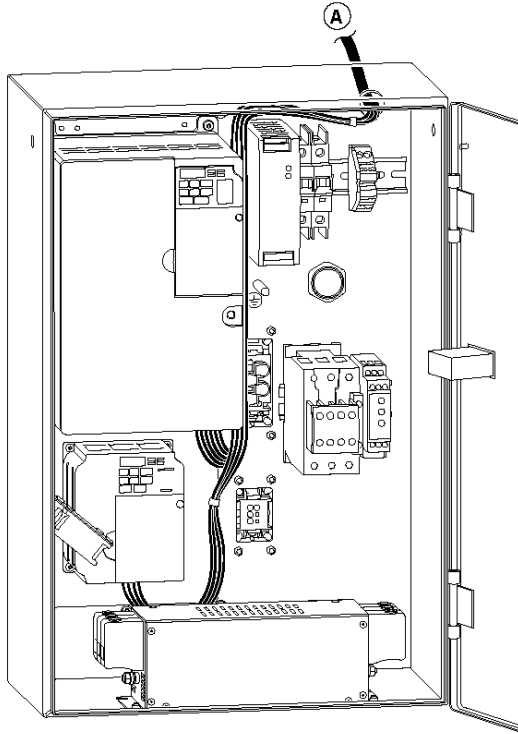


Ref	Part No	Description	Remark	QTY KIT
1	597 63 31-01	CABLE		1
2	597 61 43-01	ELECTRONIC BOX		1
3	595 72 13-01	SCREW	M12 Outer, M8 Inner	2
4	599 66 94-01	DOOR	Door incl. locks and hinges	1
5	598 53 81-01	HOUR METER		1
6	599 66 96-01	LOCK ASSY		2
7	731 23 12-01	HEXAGON NUT	M4	8
8	735 21 36-01	LOCKWASHER	4.3x8	16
9	598 51 91-01	BRACKET	Housing 15/11Kw	1
10	598 51 92-01	RECEPTACLE	Insert 15/11Kw	1
11	544 29 13-03	SCREW ITPANM	M4x16	8
12	597 60 73-01	CABLE ASSY	Assy 15/11 Kw	1
13	597 60 75-01	CABLE ASSY	Assy 1.5 Kw	1
14	598 51 95-01	RECEPTACLE	Insert 1.5Kw	1
15	598 51 93-01	RECEPTACLE	Housing 1.5Kw	1
16	593 58 48-01	PLUG	3x380-415V 32A EU	1
16	502 54 40-01	PLUG	3x380-415V 32A AUS	1
16	593 58 44-01	PLUG	3x440-480V 30A US	1
16	597 52 84-01	PLUG	3x220-240V 50A US	1

**P** PG 830  
ELECTRICAL WIRING

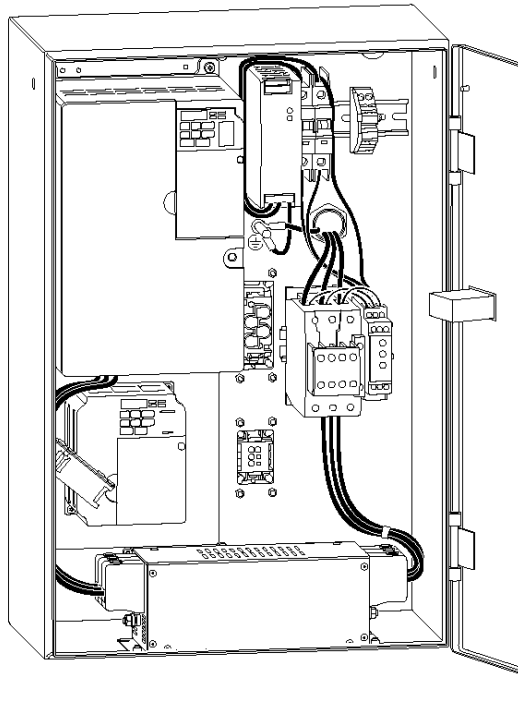
1

**CONTROL**



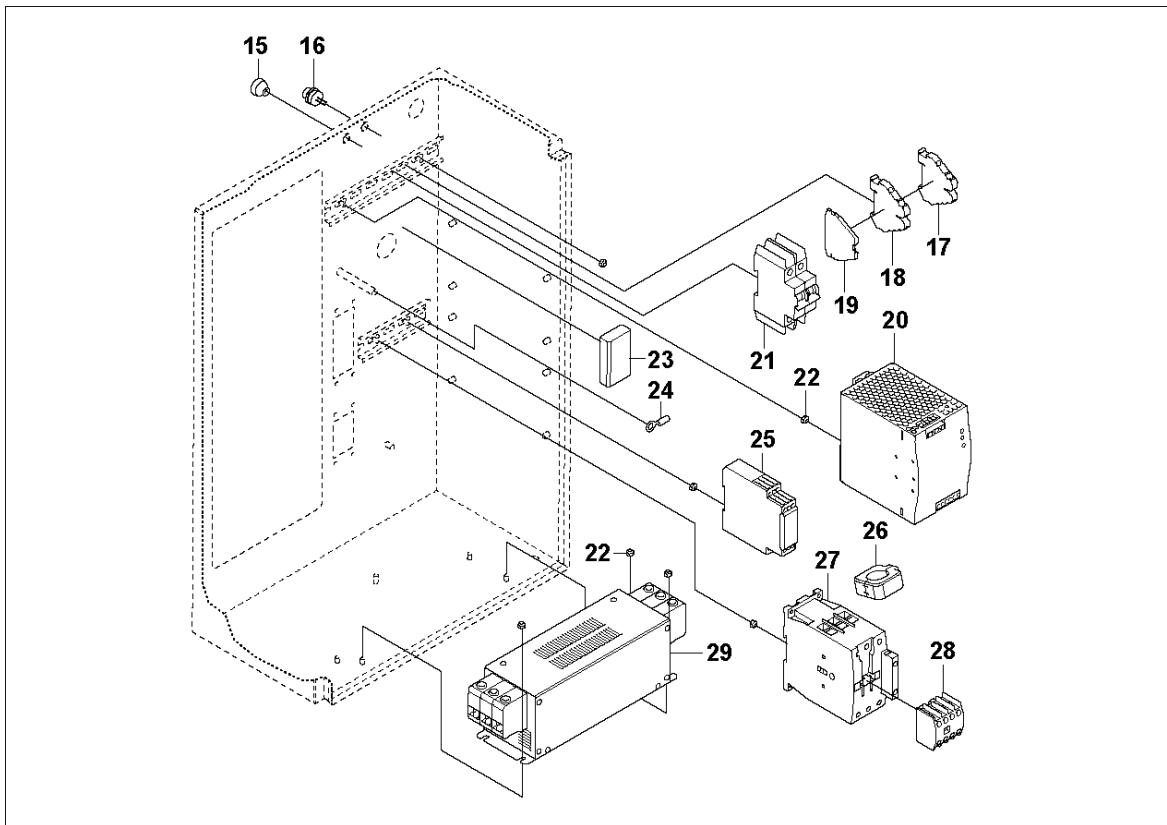
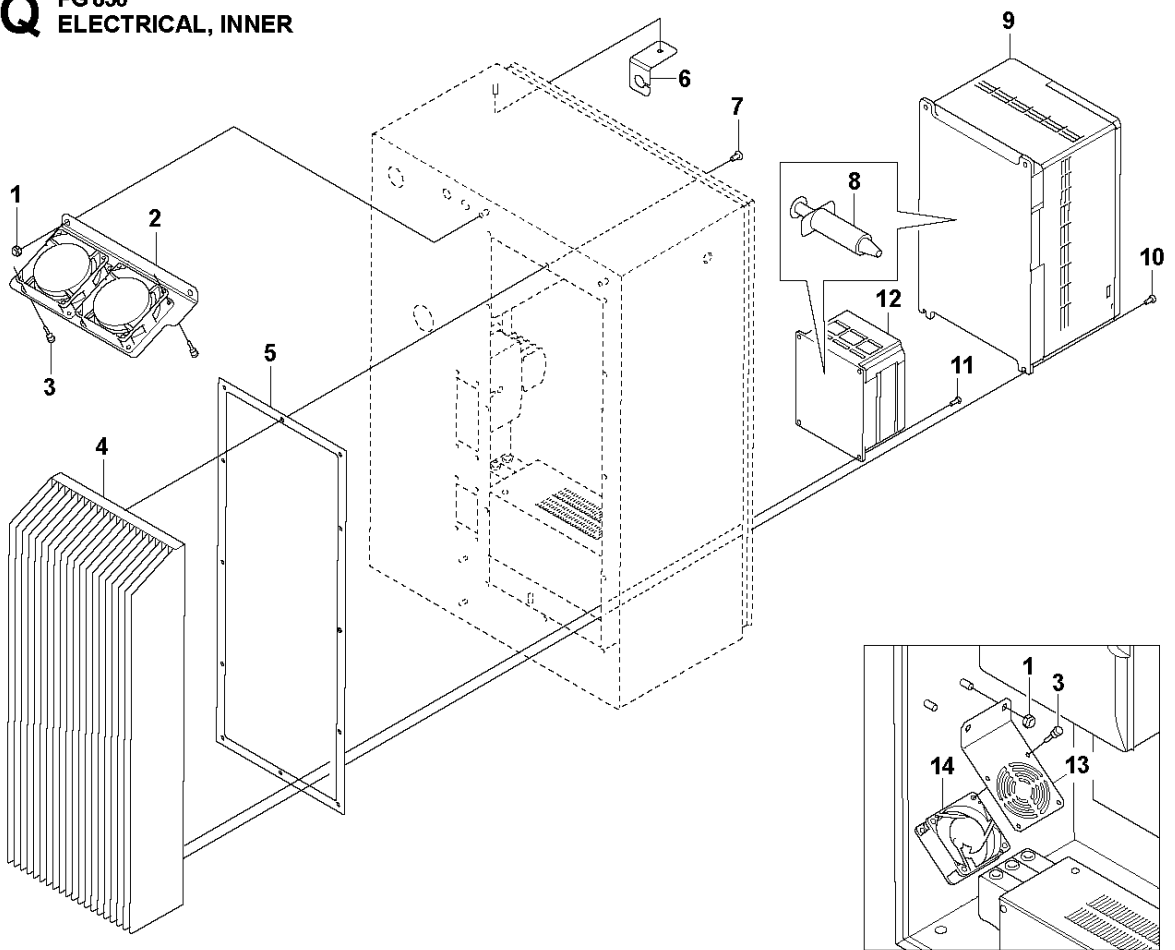
2

**POWER**



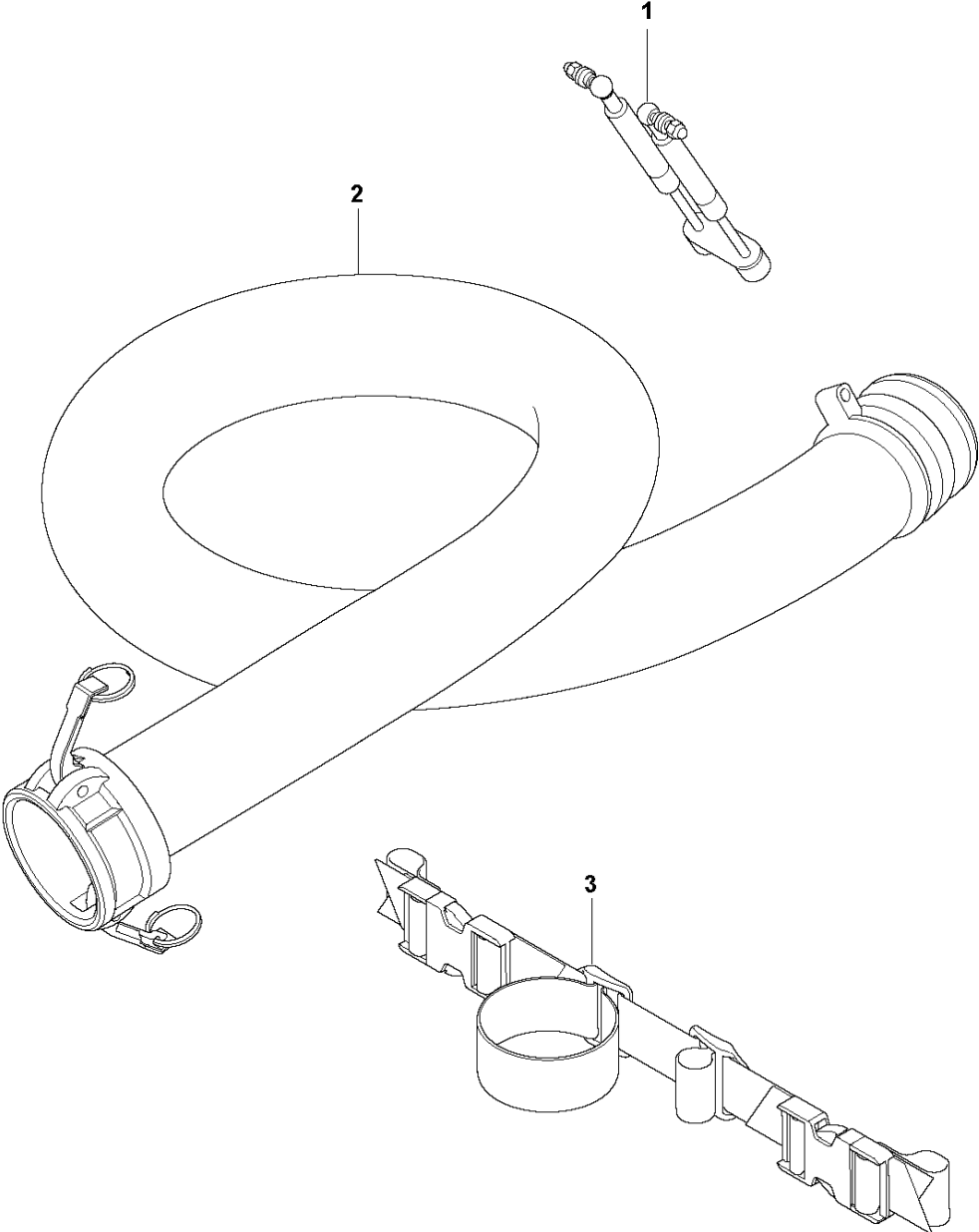
Ref	Part No	Description	Remark	QTY KIT
1	599 77 14-01	CABLE KIT		1
2	599 77 11-01	CABLE KIT		1

**Q** PG 830  
ELECTRICAL, INNER



Ref	Part No	Description	Remark	QTY KIT
1	732 21 16-01	LOCK NUT	M6 Locknut	8
2	593 54 94-01	FAN	24VDC - Heatsink	1
3	595 74 43-01	FAN		8
4	597 63 36-01	HEAT SINK		1
5	597 63 33-01	GASKET		1
6	598 53 08-01	BRACKET		1
7	595 68 22-01	SCREW	M5x10	12
8	597 25 59-01	HEAT SINK		1
9	593 55 95-01	FREQUENCY INVERTER	3x400V 15kW	1
9	593 55 98-01	FREQUENCY INVERTER	3x200V 11kW	
10	593 50 89-01	SCREW	M4x10 (inverter 15/11kW)	4
11	595 68 21-01	SCREW	M5x12 -(inverter 1.5kW)	4
12	597 75 41-01	DRIVER	3x400V 1.5kW	1
12	597 75 40-01	DRIVER	3x200V 1.5kW	
13	595 71 08-01	MOUNT	Plate for 60mm fan	1
14	595 74 44-01	FAN		1
15	598 51 88-01	SEAL	T-VET	1
16	598 83 65-01	CONNECTOR	Light contact female	1
17	598 51 97-01	TERMINAL	Pheonix contact 3270220	1
18	598 51 98-01	TERMINAL	Pheonix contact 3270158	1
19	598 51 99-01	TERMINAL	Pheonix contact 3270152	1
20	593 56 02-01	POWER UNIT	24VDC - 480W	1
21	593 56 01-01	CIRCUIT BREAKER	2-P 5A	1
22	732 21 14-01	LOCK NUT	M5	7
23	598 48 29-01	BATTERY BOX	BLEM	1
24	598 68 94-01	RING	Ring terminal M8	1
25	598 52 63-01	SENSOR	Phase/Voltage Monitor 380-480V	1
25	598 53 88-01	SENSOR	Phase/Voltage Monitor 200-240V	1
26	598 85 63-01	FERRITE CORE		1
27	593 55 94-01	CONTACTOR	380-480V	1
27	593 55 92-01	CONTACTOR	200-240V	1
28	598 52 62-01	CONTACT	Eaton DILM17 & DILM32	1
29	593 55 99-01	FILTER	3x200-520V - 30A	1
29	593 56 00-01	FILTER	3x200V - 50A	1

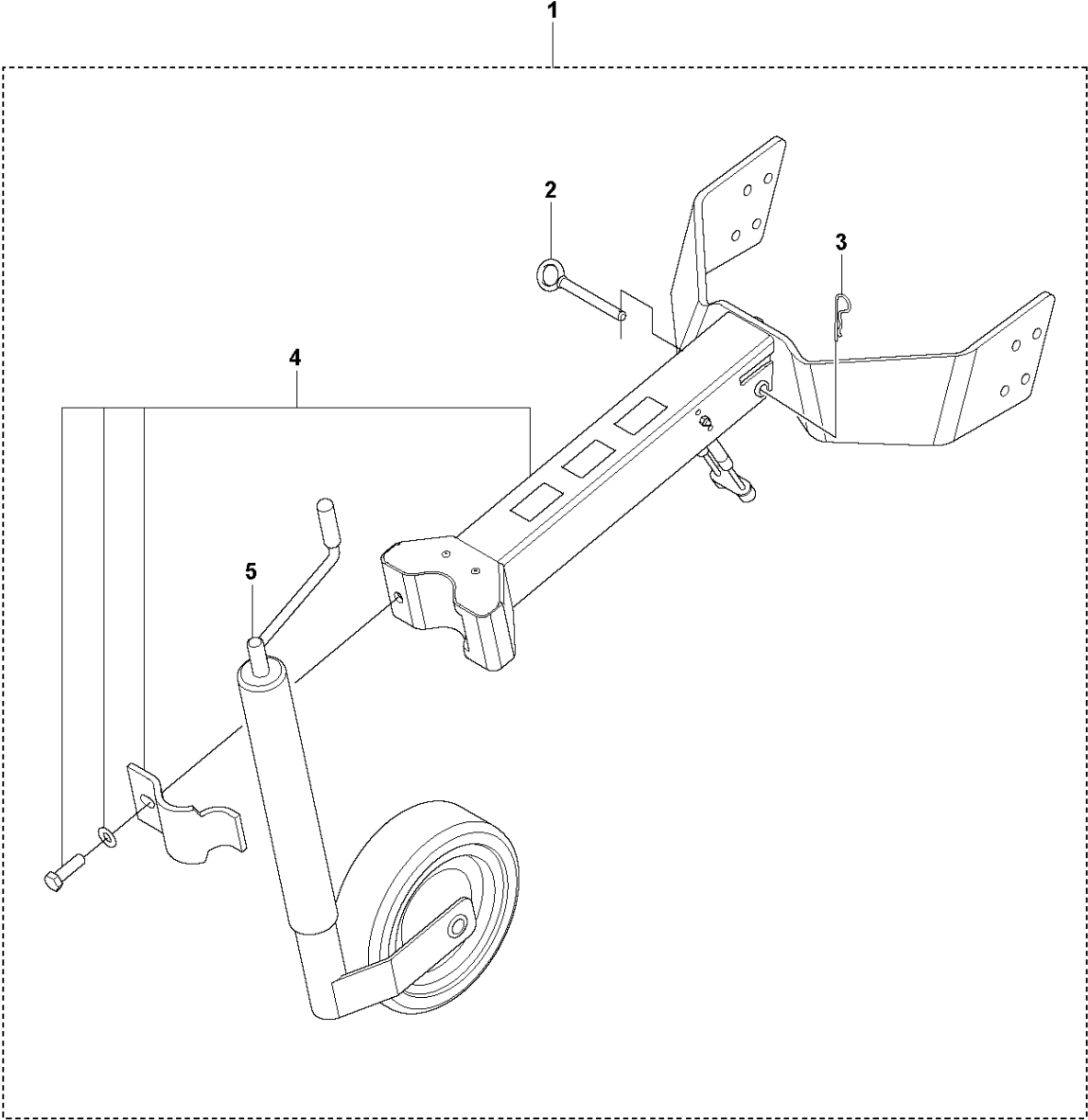
**R** PG 830  
MISC SPARE PARTS





Ref	Part No	Description	Remark	QTY KIT
1	598 76 53-01	GAS SPRING	Kit	1
2	599 69 00-01	HOSE KIT		1
3	593 53 67-01	STRAP	Vac hose guide assy	1

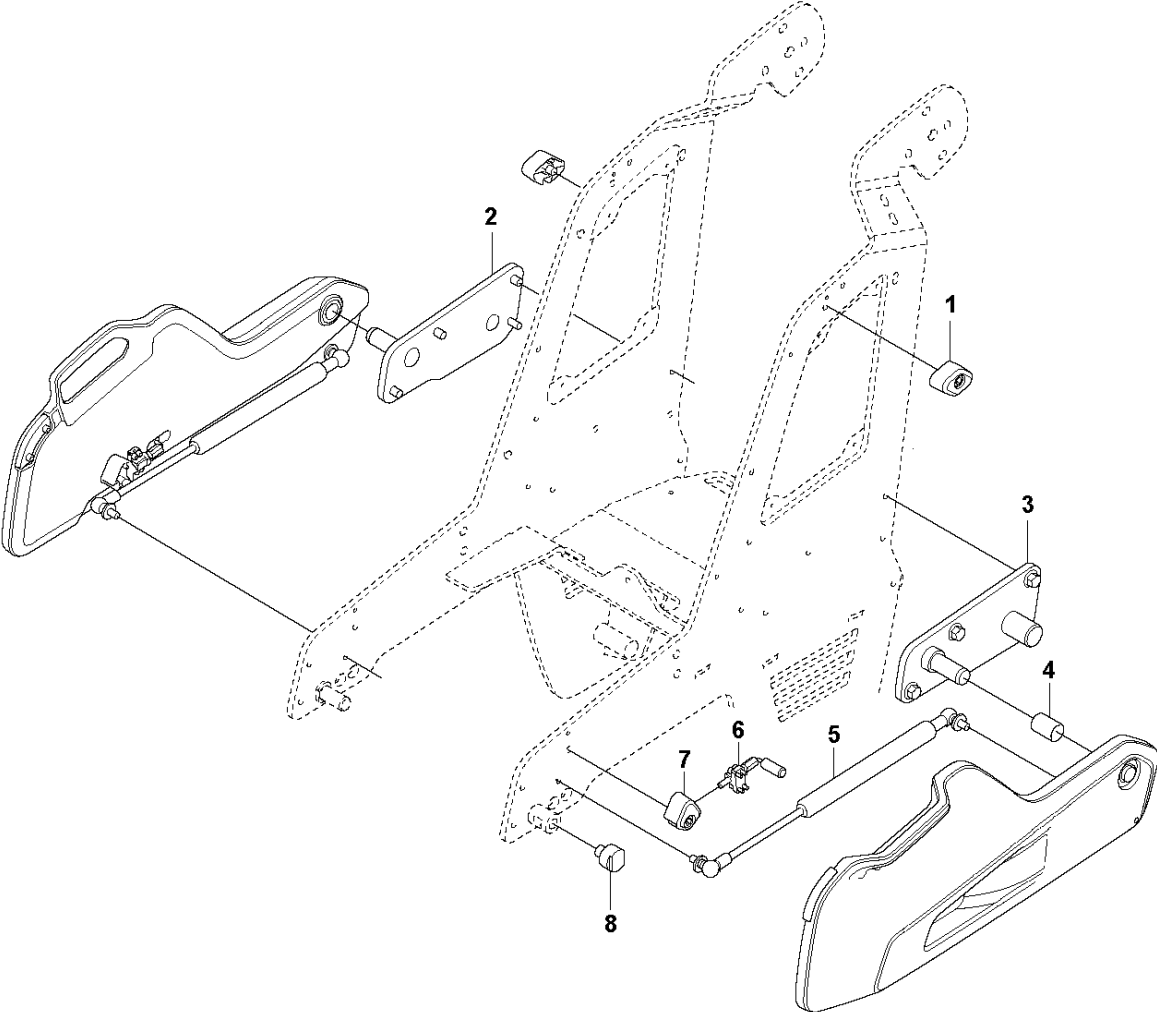
**S** PG 830  
SUPPORT WHEEL



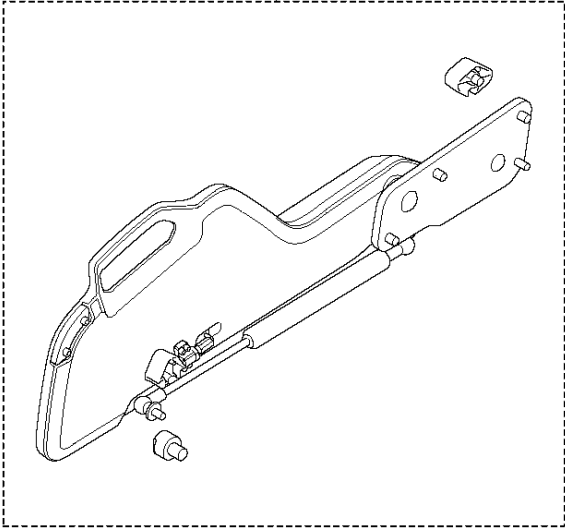
SUPPORT WHEEL

Ref	Part No	Description	Remark	QTY KIT
1	598 41 87-01	SUPPORT WHEEL		1
2	598 41 93-01	AXLE		1
3	721 68 02-51	SPRING COTTER		1
4	598 76 59-01	SUPPORT WHEEL	Arm, Holder and Gas Spring Kit	1
5	593 47 00-01	SUPPORT WHEEL		1

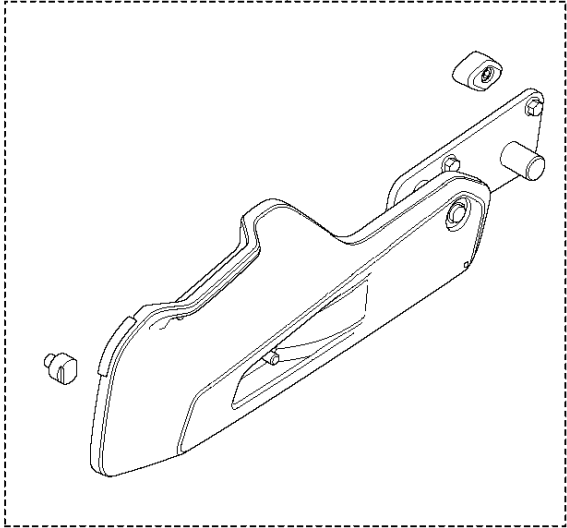
**T** PG 830  
WEIGHT ASSY



9

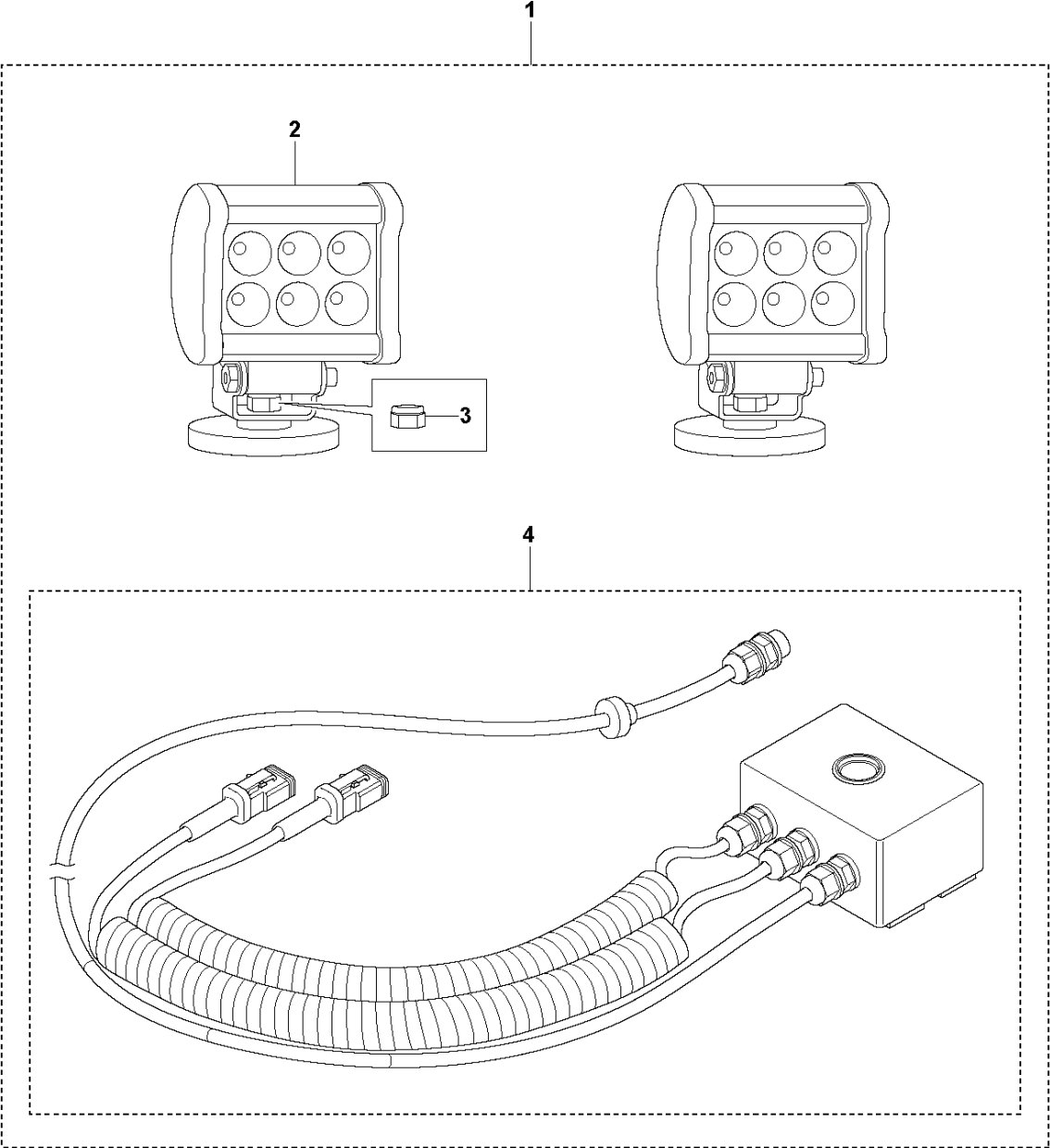


10



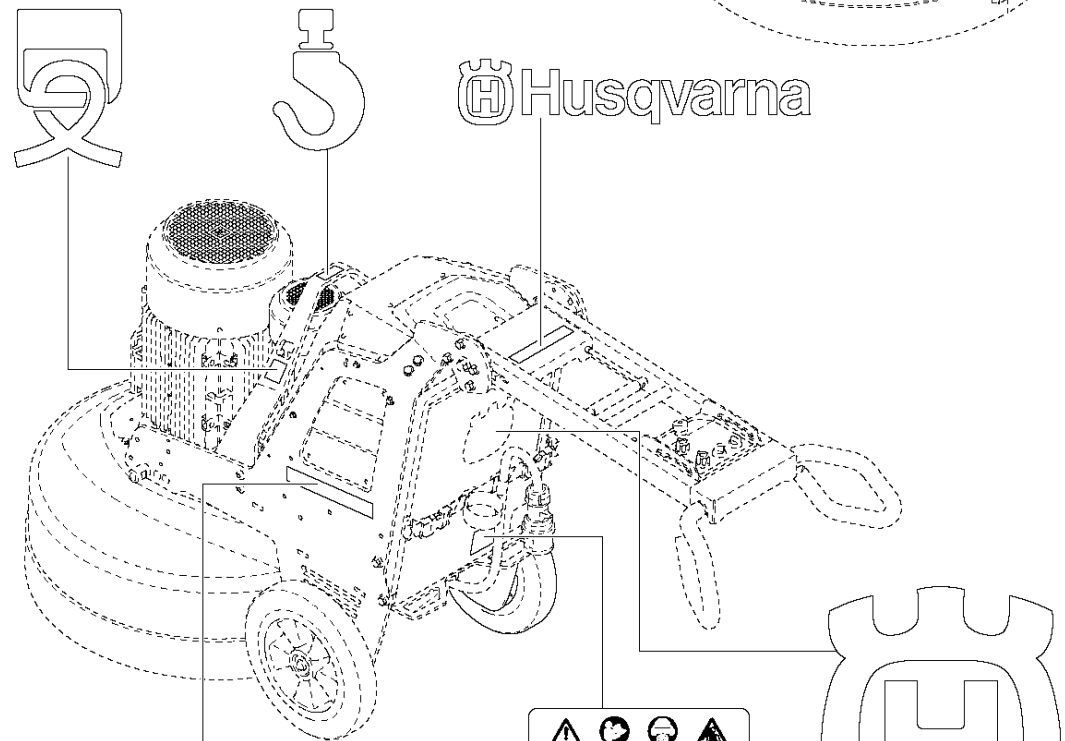
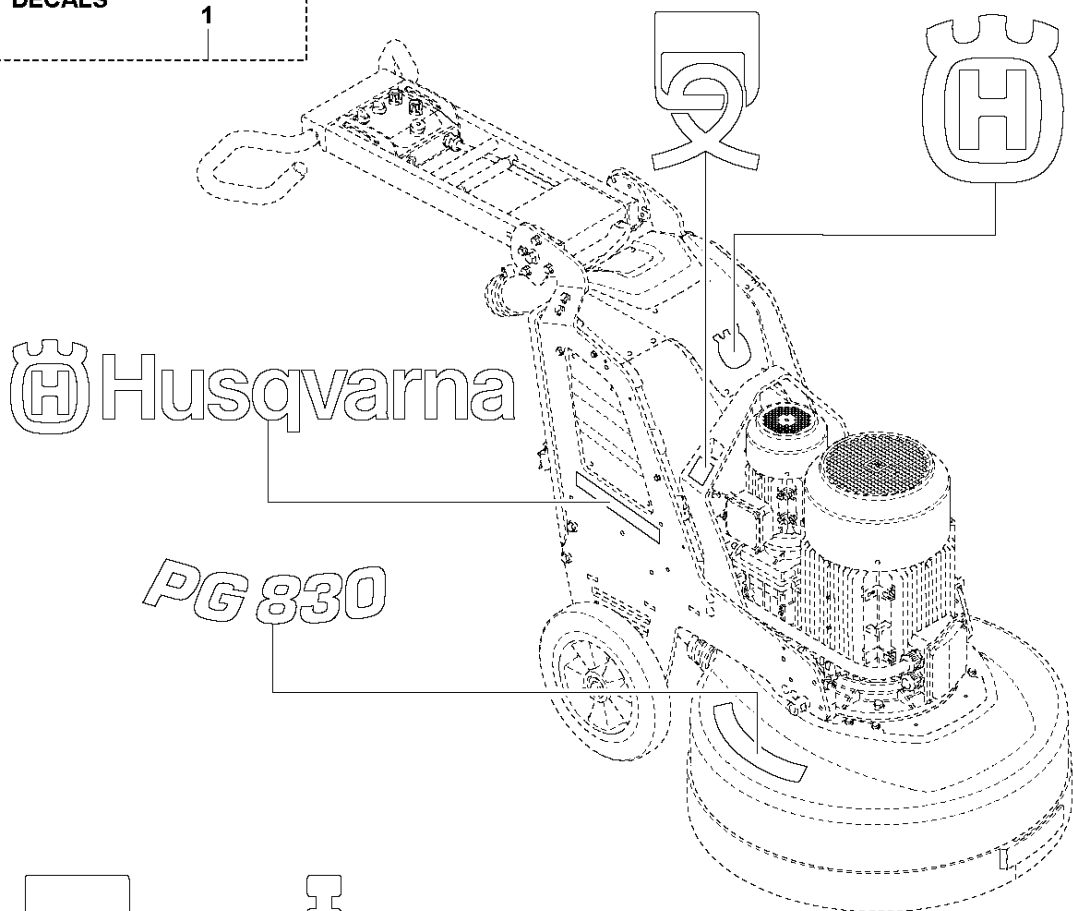
Ref	Part No	Description	Remark	QTY KIT
1	599 65 62-02	BLOCK	Block incl. Screw	2
2	596 61 46-01	BRACKET	RH	1
3	596 61 46-02	BRACKET	LH	1
4	593 41 72-01	BUSHING		2
5	593 58 23-01	GAS SPRING	LH/RH	2
6	535 40 38-01	SPRING PIN	LH/RH Assy w M5x20	2
7	599 65 62-01	BLOCK	Block incl. Screw	2
8	598 39 97-01	SUPPORT		2
9	598 03 89-01	WEIGHT	Right	1
10	598 03 88-01	WEIGHT	Left	1

**U** PG 830  
LIGHT KIT




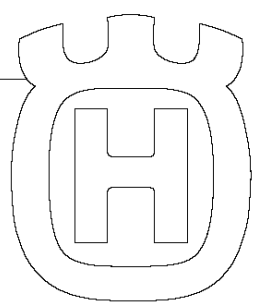
Ref	Part No	Description	Remark	QTY KIT
1	597 92 52-01	LIGHT KIT		1
2	593 54 06-01	LIGHT		2
3	593 49 98-01	LOCK NUT	M8	2
4	598 69 22-01	CABLE	with on/off switch	1

**V** PG 830  
DECALS



 Husqvarna


<b>WARNING</b>
CAUTION _____
WARNING _____
ATTENTION _____
AVERTISSEMENT _____





Ref	Part No	Description	Remark	QTY KIT
1	599 65 56-01	DECAL KIT		1