

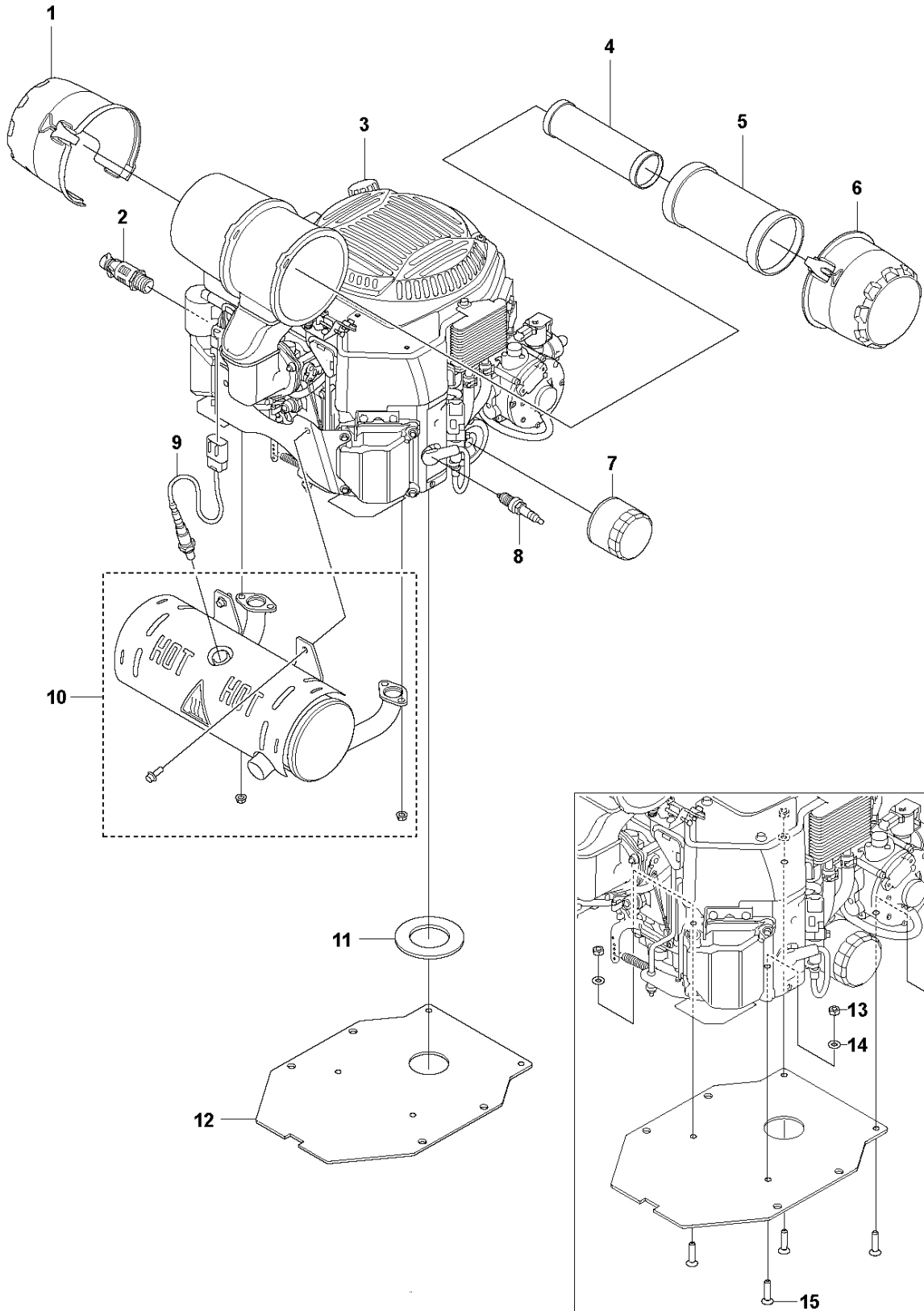


# SPARE PARTS LIST

SURFACE PREPARATION EQUIPMENT

PG 690 Propane, 2020-06

**A** PG 690 PROPANE  
ENGINE & GAS TANK

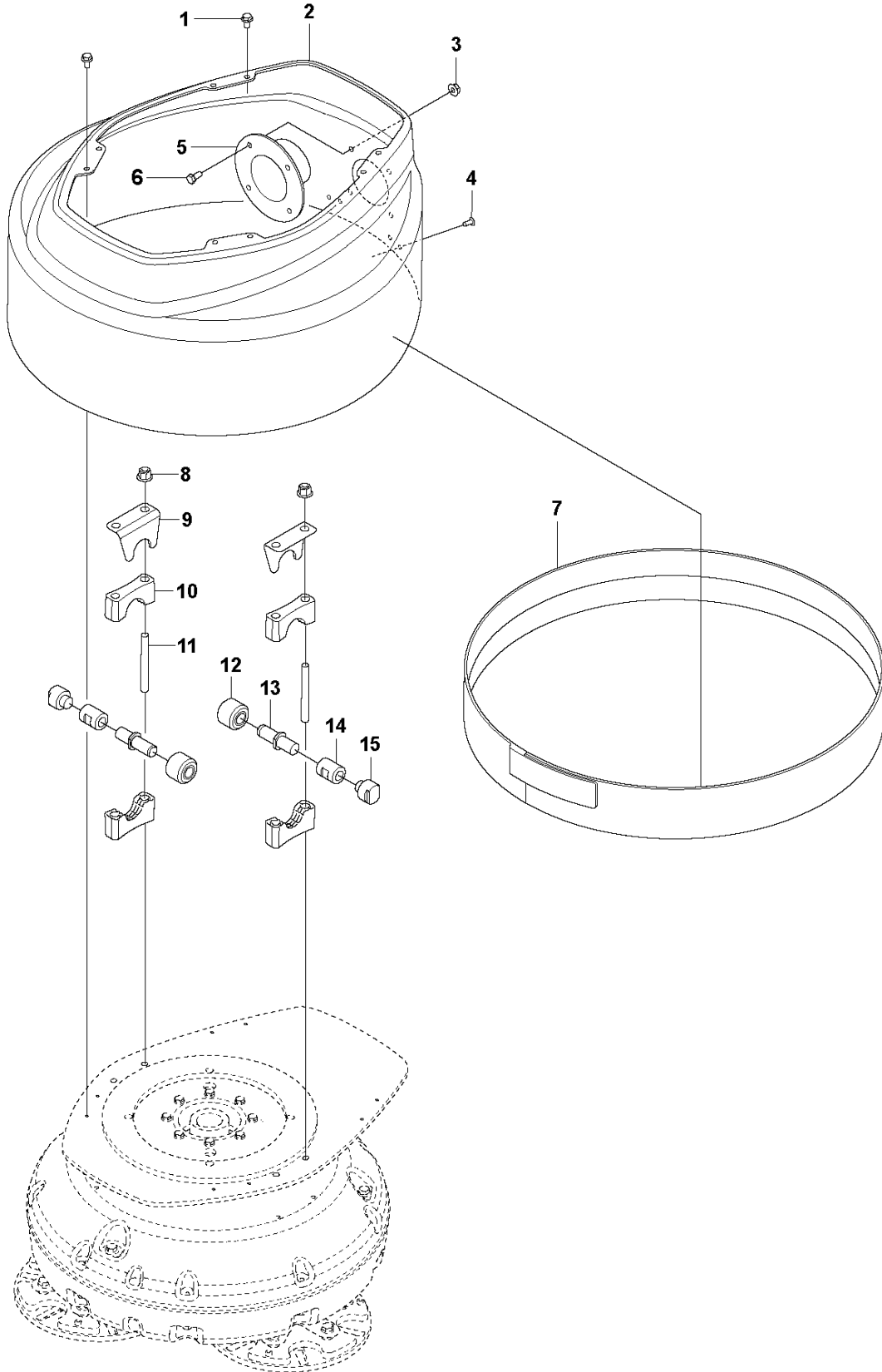


## ENGINE

PG 690 Propane, 2020-06

Ref	Part No	Description	Remark	QTY KIT
1	599 76 72-01	COVER		1
2	599 76 73-01	OIL PLUG		1
3	599 76 78-01	OIL PLUG		1
4	599 76 79-01	AIR FILTER	Air filter inner	1
5	599 76 80-01	AIR FILTER	Air filter outer	1
6	599 76 81-01	COVER		1
7	599 76 82-01	OIL FILTER		1
8	599 76 83-01	SPARK PLUG		2
9	599 76 84-01	SENSOR		1
10	599 76 85-01	MUFFLER		1
11	596 81 88-01	SEALING	Gearbox	1
12	597 74 55-01	GUIDE PLATE	Plate	1
13	522 91 94-01	LOCK NUT	M8	4
14	734 11 63-01	WASHER	M8	4
15	725 64 59-01	SCREW IHCSFM	M8x40	4

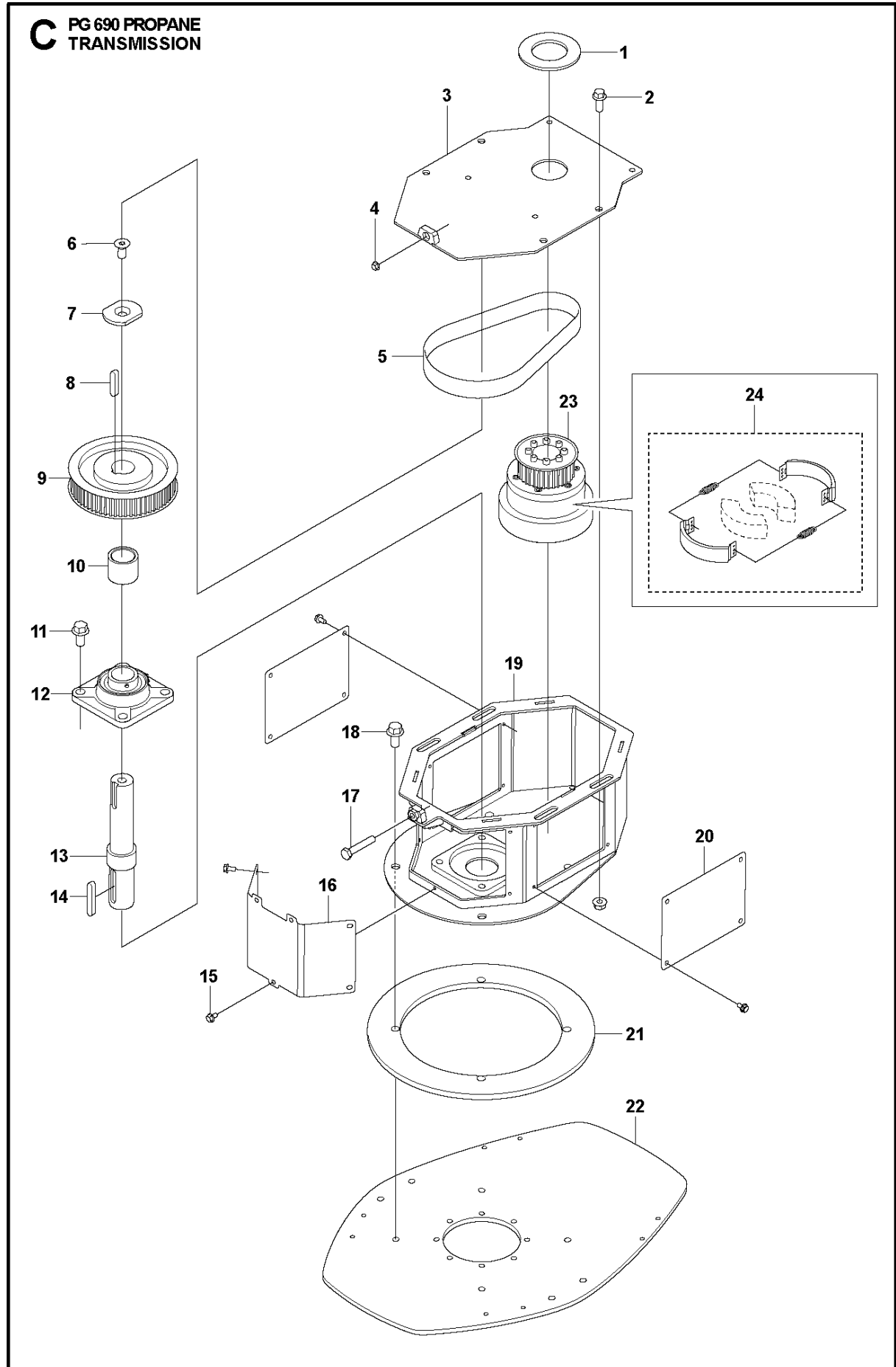
**B** PG 690 PROPANE  
GRINDING HEAD, OUTER



## GRINDING HEAD, OUTER

PG 690 Propane, 2020-06

Ref	Part No	Description	Remark	QTY KIT
1	506 57 01-03	SCREW EHHFM	M8x16	8
2	597 47 38-01	DUST COVER	Shroud 690	1
3	576 64 57-03	NUT FLANGE	M6	4
4	593 50 08-01	RIVET		4
5	599 31 60-01	HOSE CONNECTOR		1
6	531 11 94-26	SCREW	M6x16	4
7	598 03 43-01	RUBBER SKIRT		1
8	576 64 57-06	NUT FLANGE	M12	4
9	598 77 80-01	STOP	Suspension Bushing	2
10	593 54 20-01	CLAMP	Suspension	4
11	597 80 33-01	STUD	M12x110	4
12	593 53 90-01	SUSPENSION	Suspension rubber	2
13	593 53 83-01	AXLE		2
14	593 53 84-01	NUT		2
15	598 39 97-01	SUPPORT	Weight	2

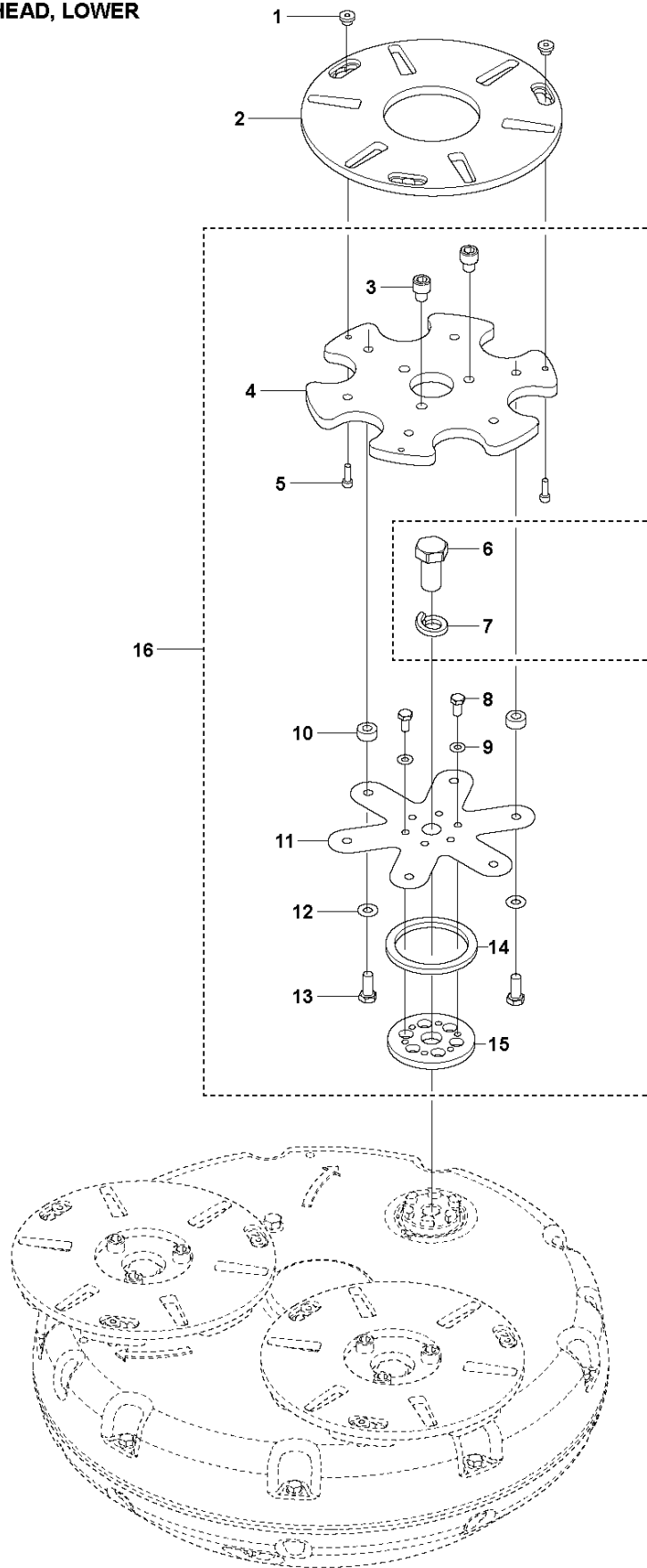


## TRANSMISSION

PG 690 Propane, 2020-06

Ref	Part No	Description	Remark	QTY KIT
1	596 81 88-01	SEALING	Gearbox	1
2	725 24 93-61	SCREW EHHFT	M10x25	4
3	597 74 55-01	GUIDE PLATE	Motor guide	1
4	731 23 20-01	HEXAGON NUT	M10	1
5	597 68 88-01	BELT		1
6	522 62 81-01	CRATE	M12x25	1
7	597 74 59-01	PLATE	Locking washer	1
8	597 93 27-01	PARALLEL KEY	10x8x45	1
9	597 74 64-01	SPROCKET	Belt wheel	1
10	597 74 63-01	SPACER RING		1
11	585 23 59-01	SCREW EHHFM	M12x25	4
12	597 79 53-01	BEARING UNIT		1
13	597 74 56-01	DRIVE SHAFT	Drive shaft	1
14	597 93 25-01	PARALLEL KEY	10x8x60	1
15	535 47 52-12	SCREW EHHFM	M6x12	15
16	597 74 62-01	COVER		1
17	725 25 02-71	SCREW EHHM	M10x55	1
18	585 23 59-01	SCREW EHHFM	M12x25	2
19	597 74 54-01	GEARBOX	Weld	1
20	597 74 61-01	COVER	Side cover	2
21	597 74 52-01	SPACER		1
22	598 39 01-01	PLATE	Motor base 690P	1
23	599 50 11-01	CENTRIFUGAL CLUTCH	Centrifugal clutch	1
24	599 69 37-01	CLUTCH SHOE		1

**D** PG 690 PROPANE  
GRINDING HEAD, LOWER



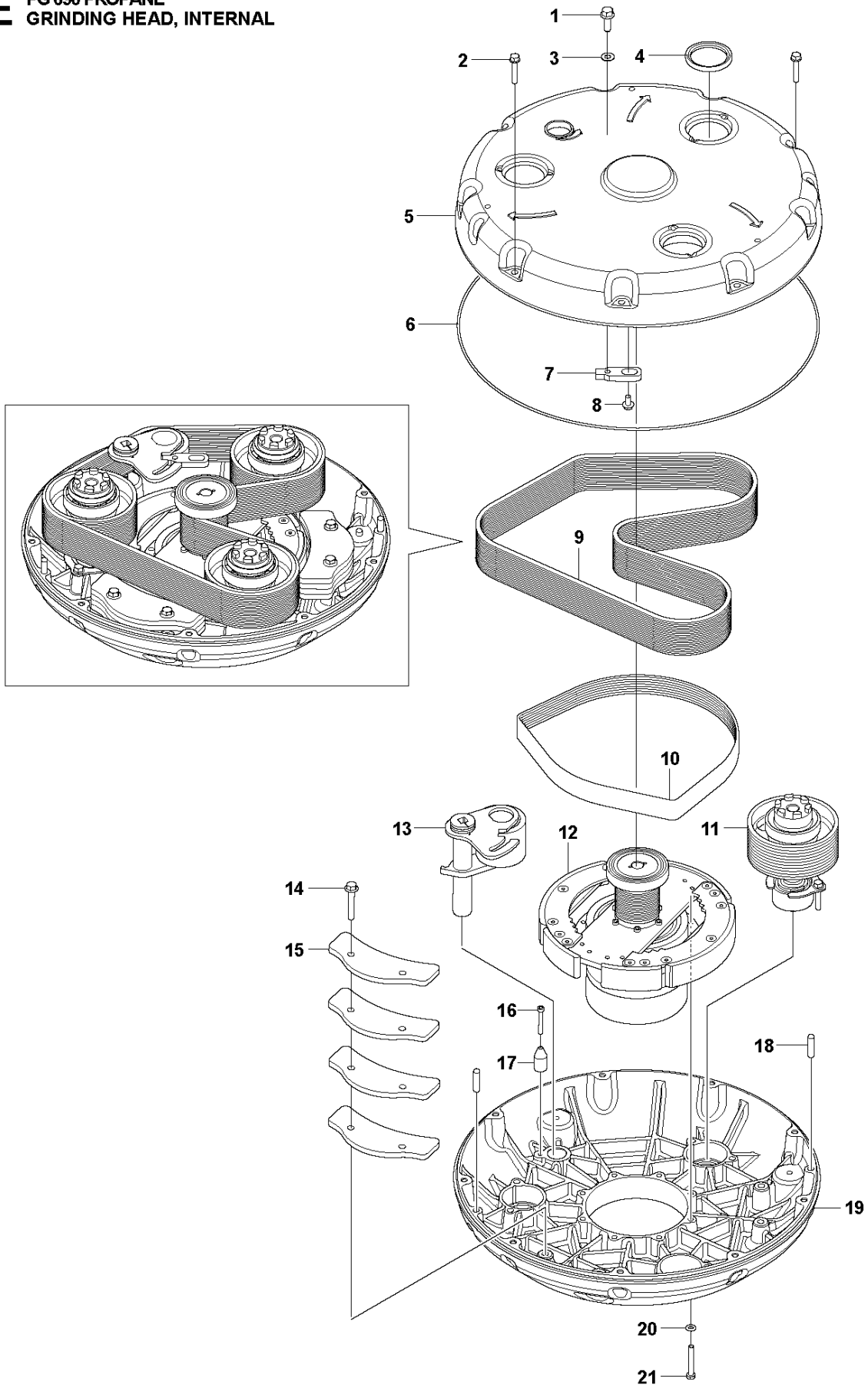


## GRINDING HEAD, LOWER

PG 690 Propane, 2020-06

Ref	Part No	Description	Remark	QTY KIT	
1	587 45 14-01	LOCK	M6	3	
2	502 53 22-01	HOLDER		1	
3	597 16 23-01	SCREW	M12x12	3	16
4	502 53 40-02	PLATE	Head - Spring steel system	1	16
5	725 53 70-51	SCREW IHSCM	M6x20	3	16
6	504 74 89-01	SCREW EHHM	M20x40	1	
7	504 74 96-03	LOCKWASHER	M20	1	
8	725 24 49-71	SCREW EHHM	M8x16	6	16
9	734 11 63-01	WASHER	8,4x16x1,6	6	16
10	502 53 40-14	SPACER		6	16
11	502 53 42-01	SPRING	Spring steel system	1	16
12	734 11 72-01	WASHER	10,5x20x2	6	16
13	725 24 93-76	SCREW EHHM	M10x25	6	16
14	502 53 43-01	RING		1	16
15	502 53 40-06	HUB	Drive spring steel system	1	16
16	502 53 40-01	SPRING		1	

**E** PG 690 PROPANE  
GRINDING HEAD, INTERNAL

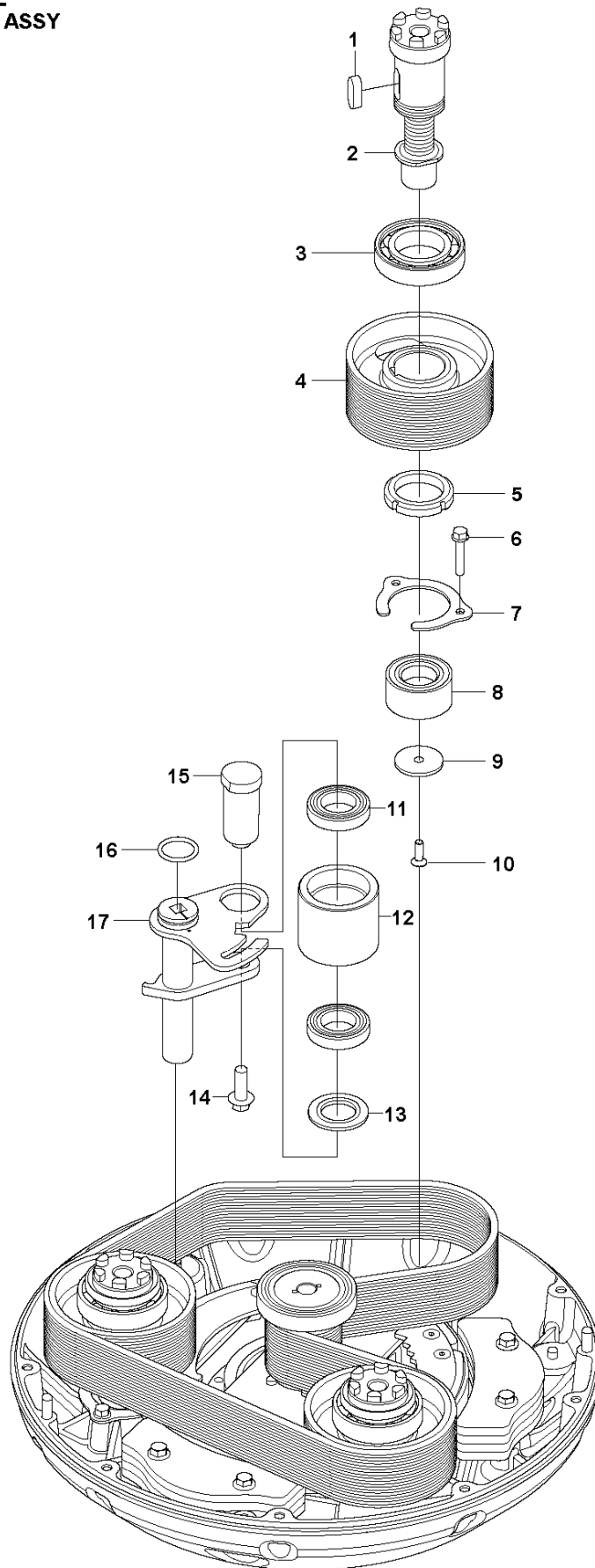


## GRINDING HEAD, INTERNAL

PG 690 Propane, 2020-06

Ref	Part No	Description	Remark	QTY KIT
1	593 96 41-01	SCREW	M10x30	1
2	593 51 37-01	SCREW	M8x45	9
3	593 96 42-01	WASHER	10x20x1	1
4	593 48 72-01	RADIAL SEAL	Shaft	3
5	595 76 11-01	HOUSING	Bottom	1
6	593 48 71-01	O-RING	Housing	1
7	593 53 81-01	TENSIONER	Locking plate	1
8	593 96 40-01	SCREW	M8x16	1
9	593 49 05-01	BELT		1
10	593 48 78-01	O-RING		1
11	598 47 55-01	SHAFT ASSY		1
12	597 79 67-01	HUB ASSY	Center	1
13	593 54 37-01	BELT TENSIONER		1
14	595 68 15-01	SCREW	M10x60	2
15	595 71 40-01	COUNTERWEIGHT		4
16	593 51 04-01	SCREW	M6x45	1
17	595 71 39-01	TENSIONER		2
18	593 51 41-01	PIN	10x40 H8	3
19	734 11 63-01	WASHER	Top	1
20	593 50 04-01	WASHER	M8	8
21	598 74 96-01	SCREW	M8x110	8

**F** PG 690 PROPANE  
IDLER PULLEY ASSY

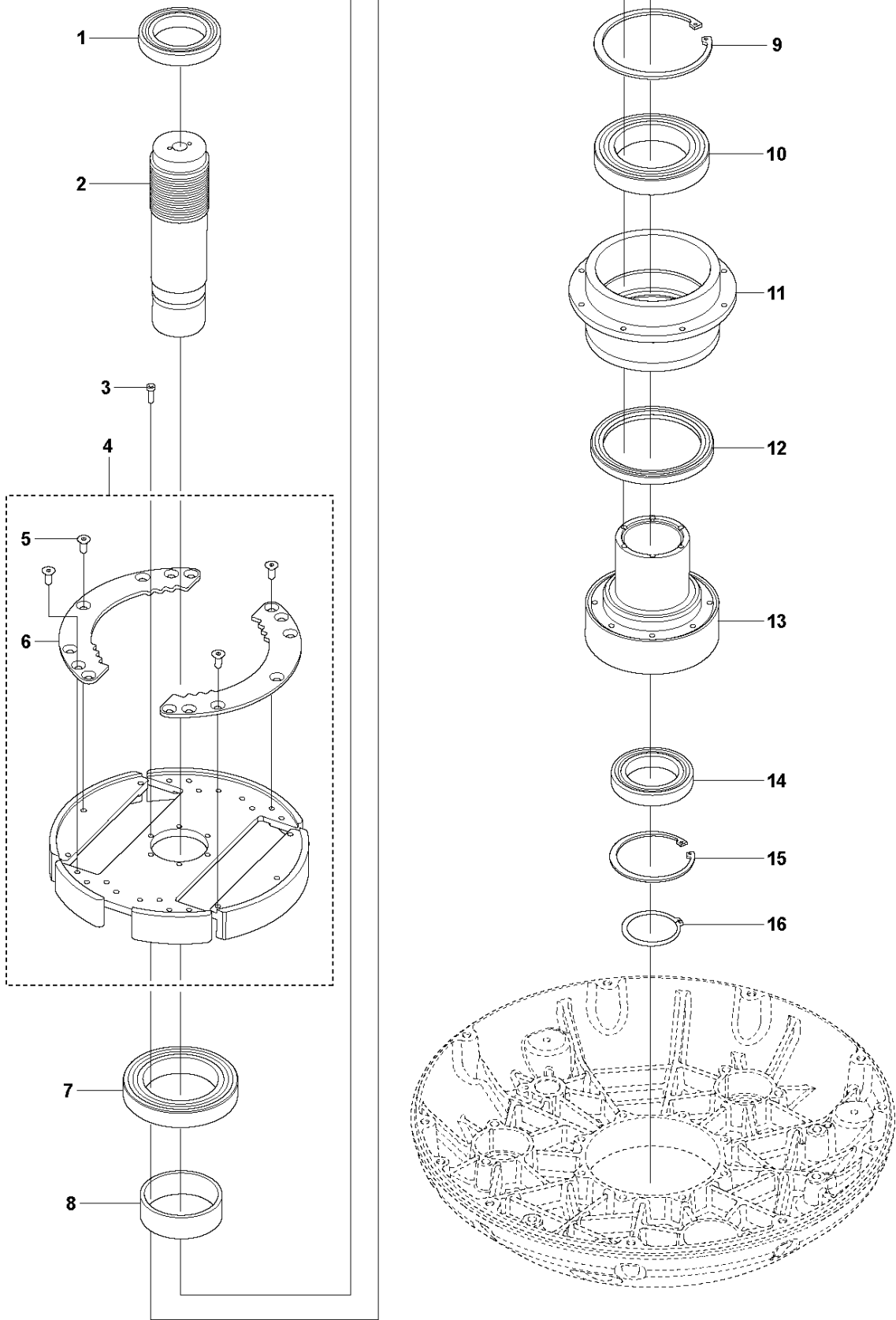


## IDLER PULLEY ASSY

PG 690 Propane, 2020-06

Ref	Part No	Description	Remark	QTY KIT
1	593 48 76-01	KEY	14x9x36	1
2	598 02 74-01	SHAFT		1
3	593 49 27-01	BALL BEARING		1
4	595 75 75-01	PULLEY	Ø150	1
5	593 48 79-01	NUT		1
6	585 17 39-01	SCREW EHHFM	M8x45	2
7	595 71 00-01	WASHER	Grinding Shaft	1
8	593 48 77-01	BEARING		1
9	595 70 99-01	WASHER		1
10	725 64 53-01	SCREW IHCSFM	M8x25	1
11	593 49 28-01	BALL BEARING		2
12	595 70 98-01	PULLEY	Idler Ø80	1
13	595 75 73-01	SPACER	Belt tensioner	1
14	595 68 01-01	SCREW	M12x35	1
15	595 76 14-01	AXLE	Idler	1
16	593 48 78-01	O-RING		1
17	595 76 06-01	TENSIONER	Weldment	1

**G** PG 690 PROPANE  
CENTRAL HUB ASSY



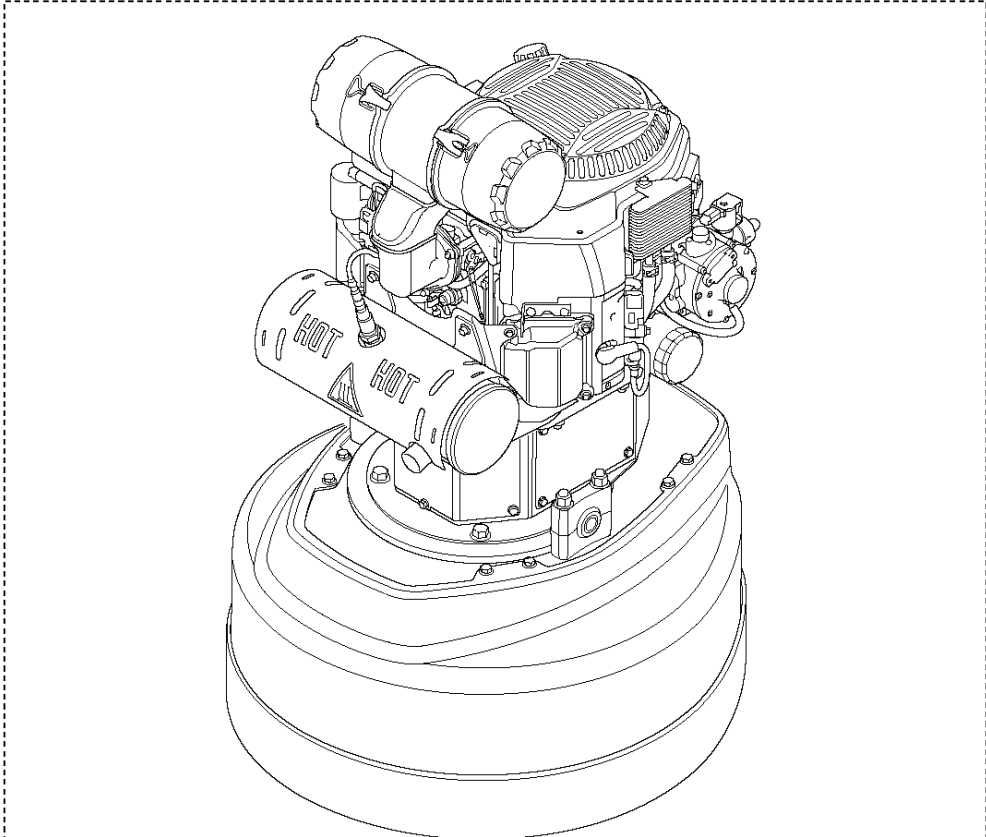
CENTER HUB ASSY

PG 690 Propane, 2020-06

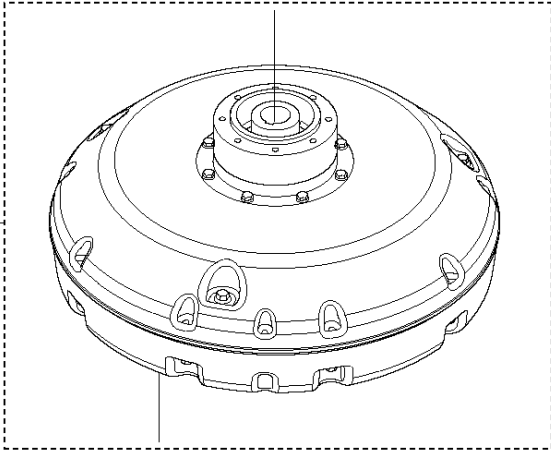
Ref	Part No	Description	Remark	QTY	KIT
1	593 49 26-01	BALL BEARING		1	
2	595 76 01-01	PULLEY	Center Ø75	1	
3	593 51 42-01	SCREW	M6x20	6	
4	595 75 72-01	PULLEY		1	
5	593 50 49-01	SCREW	M8x20	14	4
6	593 51 42-01	SCREW	Pulley 6 lock plate	2	4
7	593 62 99-01	BALL BEARING		1	
8	595 71 31-01	SPACER	Ring	1	
9	593 62 99-01	BALL BEARING		1	
10	595 67 98-01	CIRCLIP	Internal 140x4	1	
11	595 71 30-01	HUB	Center hub outer	1	
12	593 54 29-01	HUB	Shaft	1	
13	593 54 29-01	HUB	Center	1	
14	593 49 26-01	BALL BEARING		1	
15	593 50 30-01	CIRCLIP	Internal	1	
16	593 50 29-01	CIRCLIP	External	1	

**H** PG 690 PROPANE GRINDING HEAD

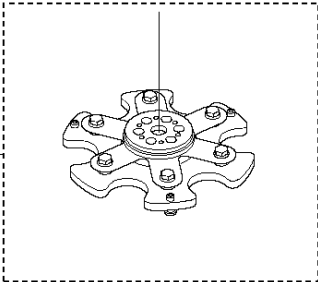
1



2



3



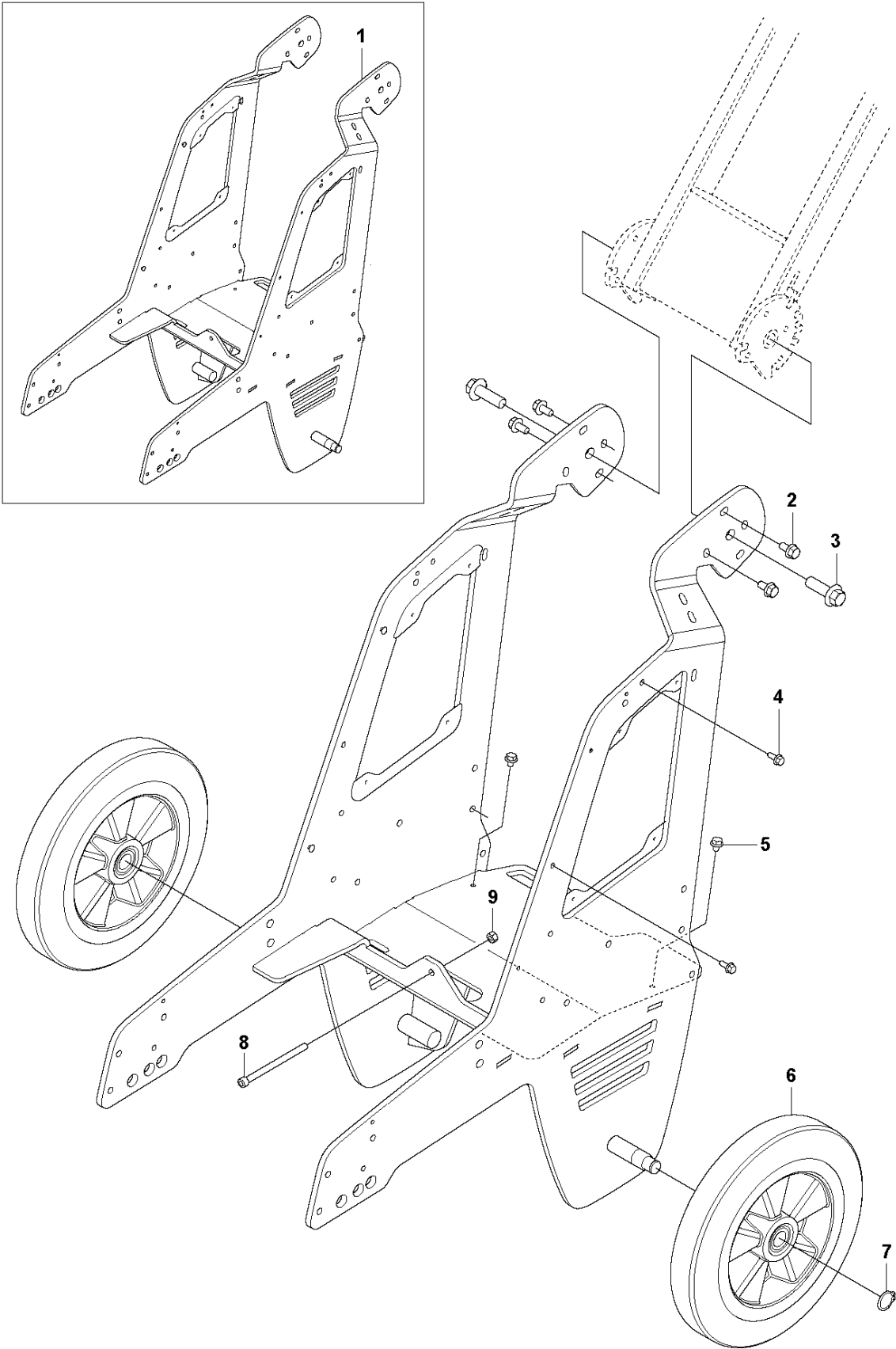


GRINDING HEAD

PG 690 Propane, 2020-06

Ref	Part No	Description	Remark	QTY KIT	
1	597 74 25-01	GRINDING HEAD		1	
2	597 79 43-01	GRINDING HEAD	Bare	1	1
3	502 53 40-01	SPRING		3	1

**J** PG 690 PROPANE CHASSIS

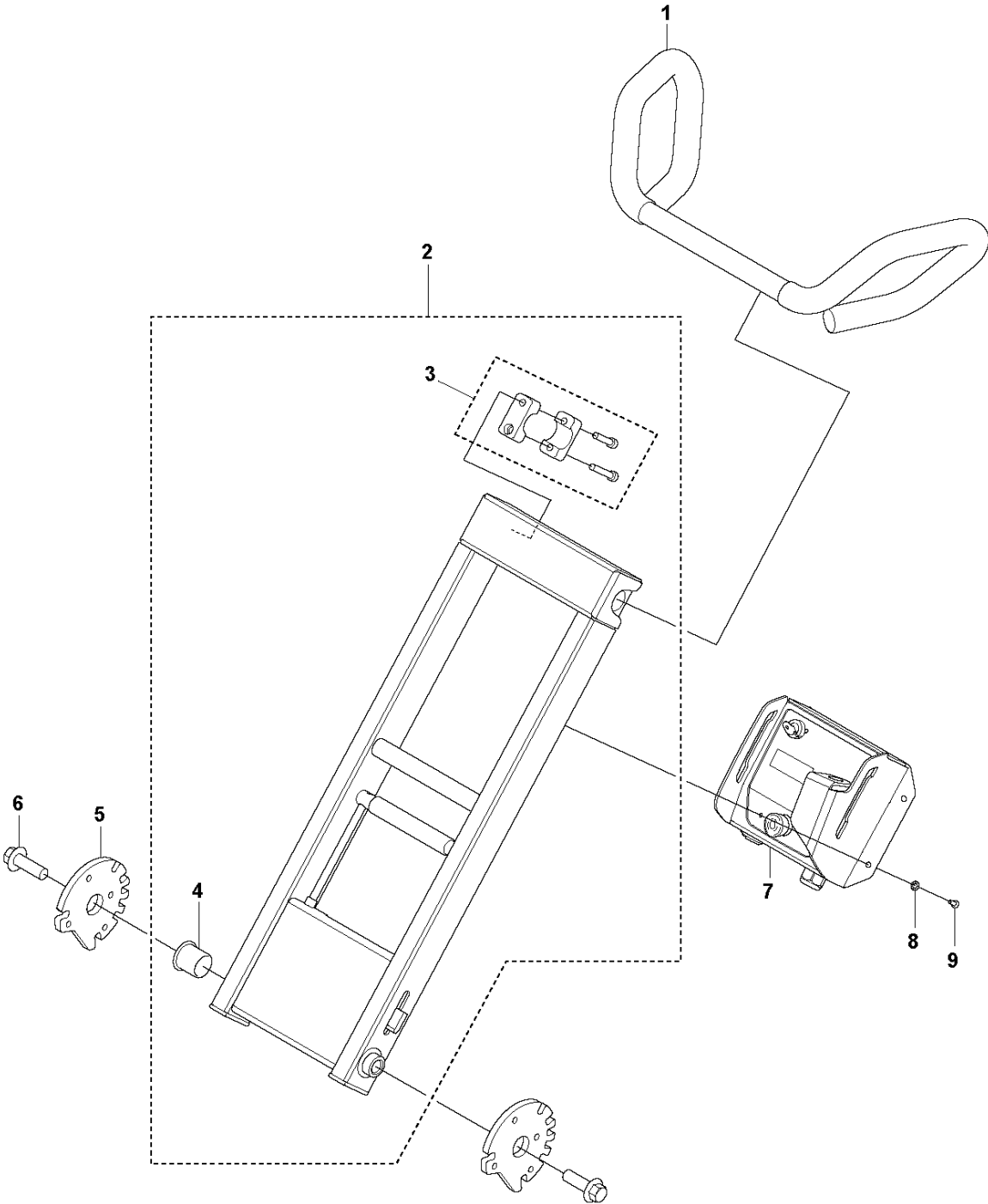


## CHASSIS

PG 690 Propane, 2020-06

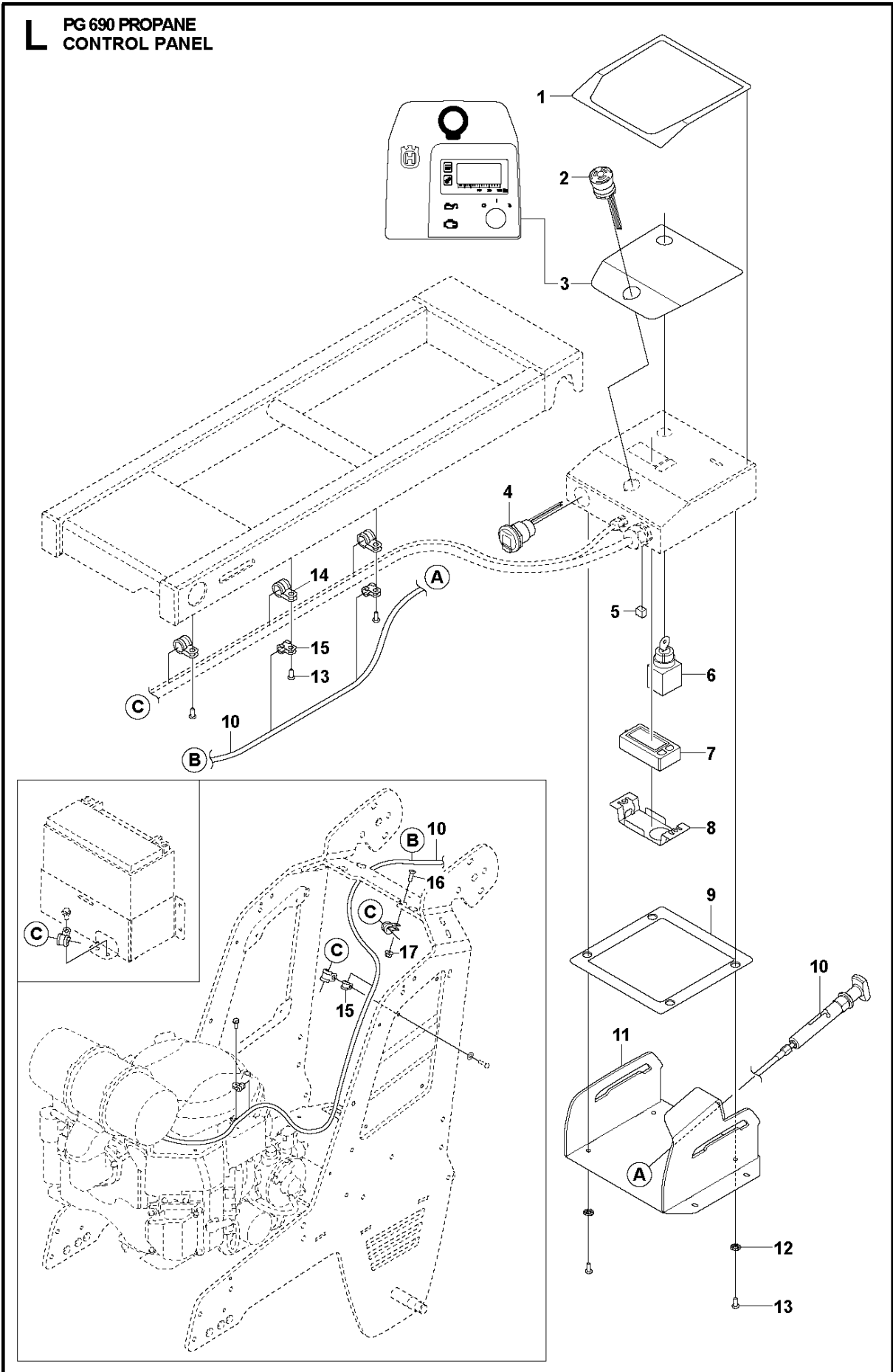
Ref	Part No	Description	Remark	QTY KIT
1	597 14 47-01	CHASSIS	Weld assy	1
2	585 97 52-01	SCREW EHHFM	M10x20	8
3	582 64 48-01	BOLT	M16x50	2
4	585 98 06-01	SCREW EHHFM	M6x16	2
5	597 72 09-01	SCREW	M8x10	2
6	597 34 58-01	WHEEL	Solid rubber, Ø350	2
7	735 31 26-01	CIRCLIP	25x1,2	2
8	598 74 94-01	SCREW	M12x160	1
9	731 23 22-55	HEXAGON NUT	M12	1

**K** PG 690 PROPANE  
FRAME, UPPER



Ref	Part No	Description	Remark	QTY	KIT
1	597 18 39-01	HANDLE		1	
2	596 61 25-01	HANDLE ASSY	Weld assy	1	
3	599 65 64-01	CLAMP		2	2
4	597 79 70-01	BUSHING		2	2
5	596 61 24-01	LOCKING PLATE		2	
6	582 64 48-01	BOLT	M16x50	2	
7	598 47 81-01	CONTROL PANEL		1	
8	735 21 53-01	LOCKWASHER	6.4x11	4	
9	531 11 94-26	SCREW	M6x16	4	

**L** PG 690 PROPANE  
CONTROL PANEL

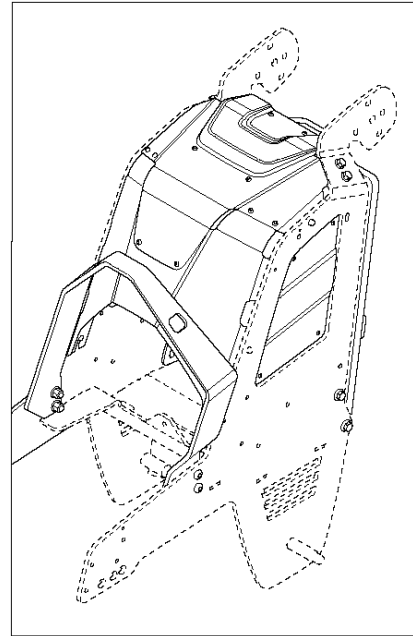
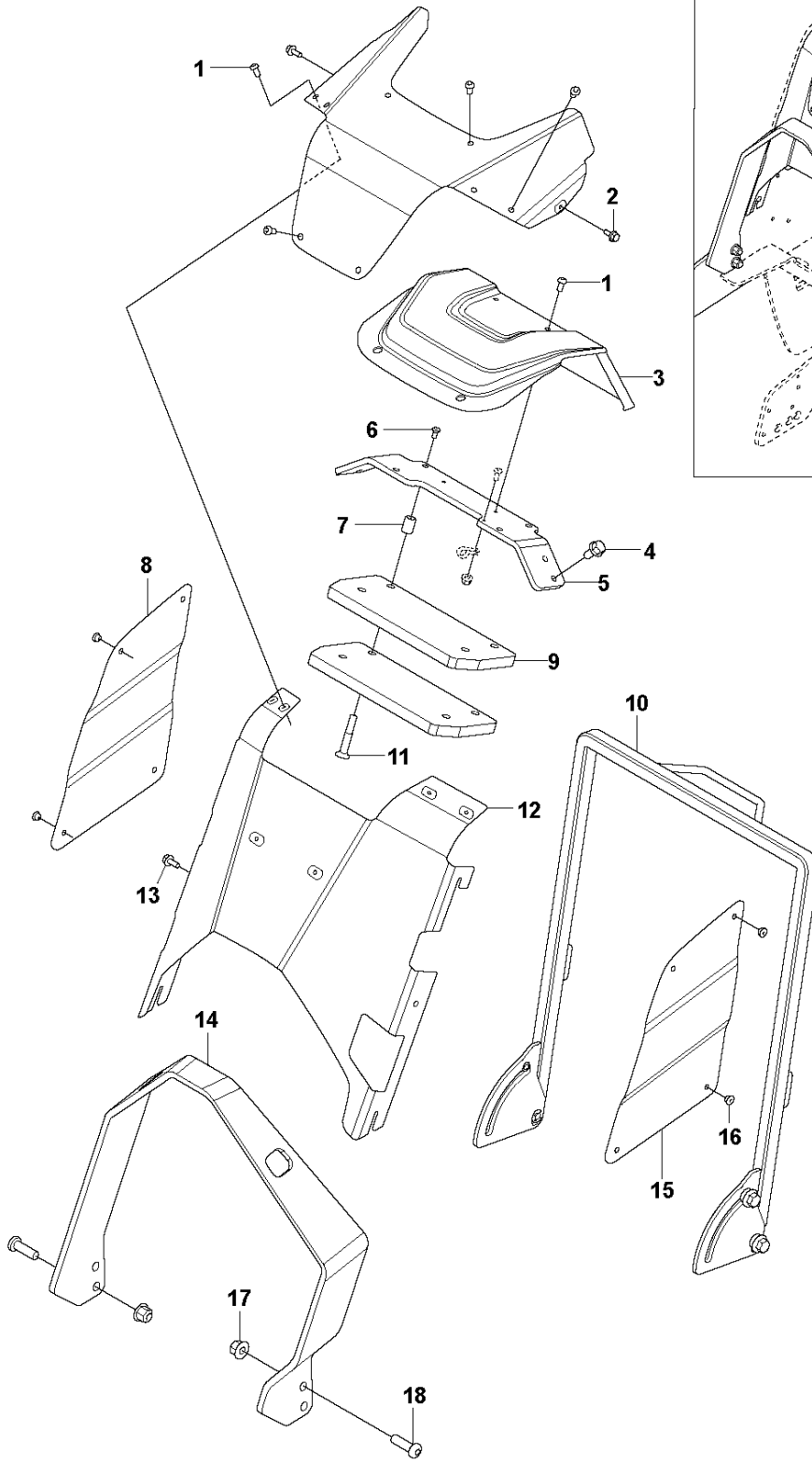


## CONTROL PANEL

PG 690 Propane, 2020-06

Ref	Part No	Description	Remark	QTY KIT
1	597 65 41-01	PLATE		1
2	598 54 15-01	SWITCH		1
3	598 55 87-01	STICKER	Overlay propane	1
4	598 55 60-01	CONTACT	USB with cap	1
5	598 74 58-01	REGULATOR	DC/DC Converter	1
6	598 69 77-01	IGNITION SWITCH	Sierra MP 39760	1
7	598 46 72-01	BRACKET	RPM Display	1
8	598 01 18-01	BRACKET		1
9	598 42 96-01	GASKET	HMI Gasket	1
10	599 55 09-01	THROTTLE ASSY		1
11	598 01 18-01	BRACKET	HMI Bracket	1
12	735 21 46-01	LOCKWASHER	5,3x10x0,6	4
13	593 50 91-01	SCREW	M5x12	10
14	589 66 91-03	CLIP	M6/Ø14	5
15	589 66 91-04	CLIP	M6/Ø7.9	5
16	531 11 94-26	SCREW	M6x16	1
17	595 68 03-01	NUT	M6	6

**M** PG 690 PROPANE  
FRAME, LOWER



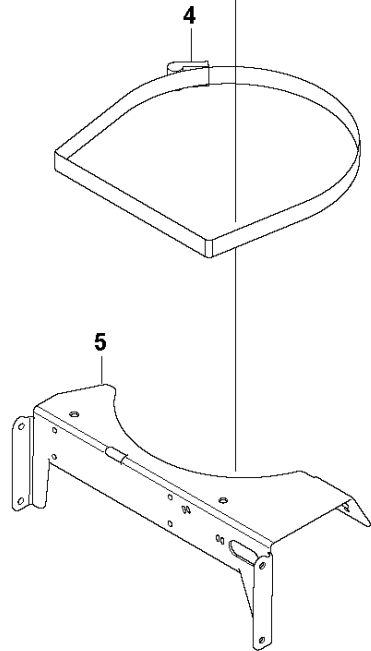
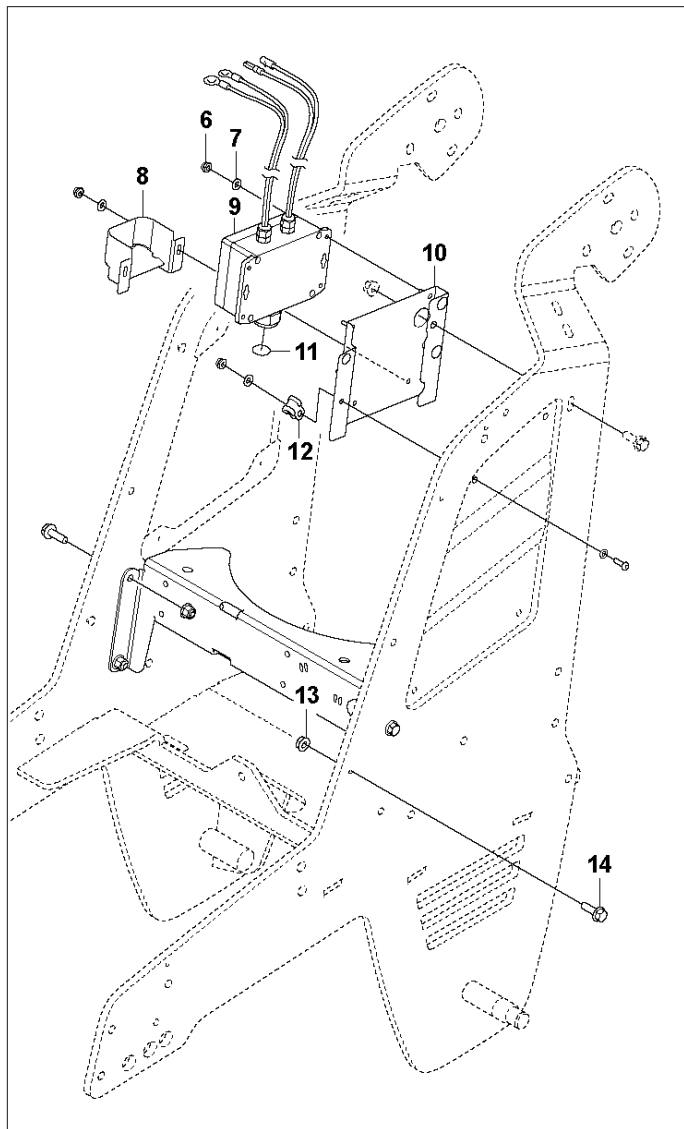
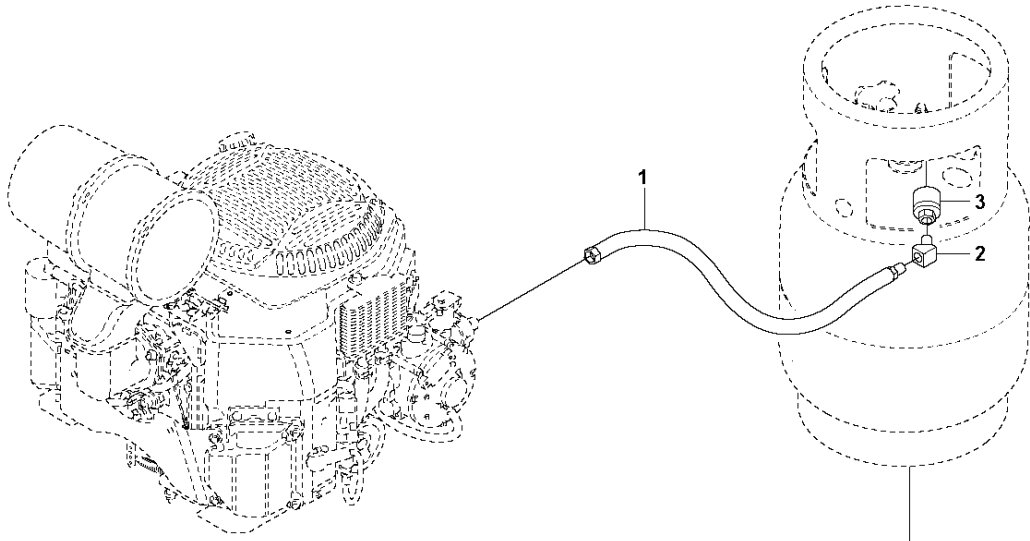


## FRAME, LOWER

PG 690 Propane, 2020-06

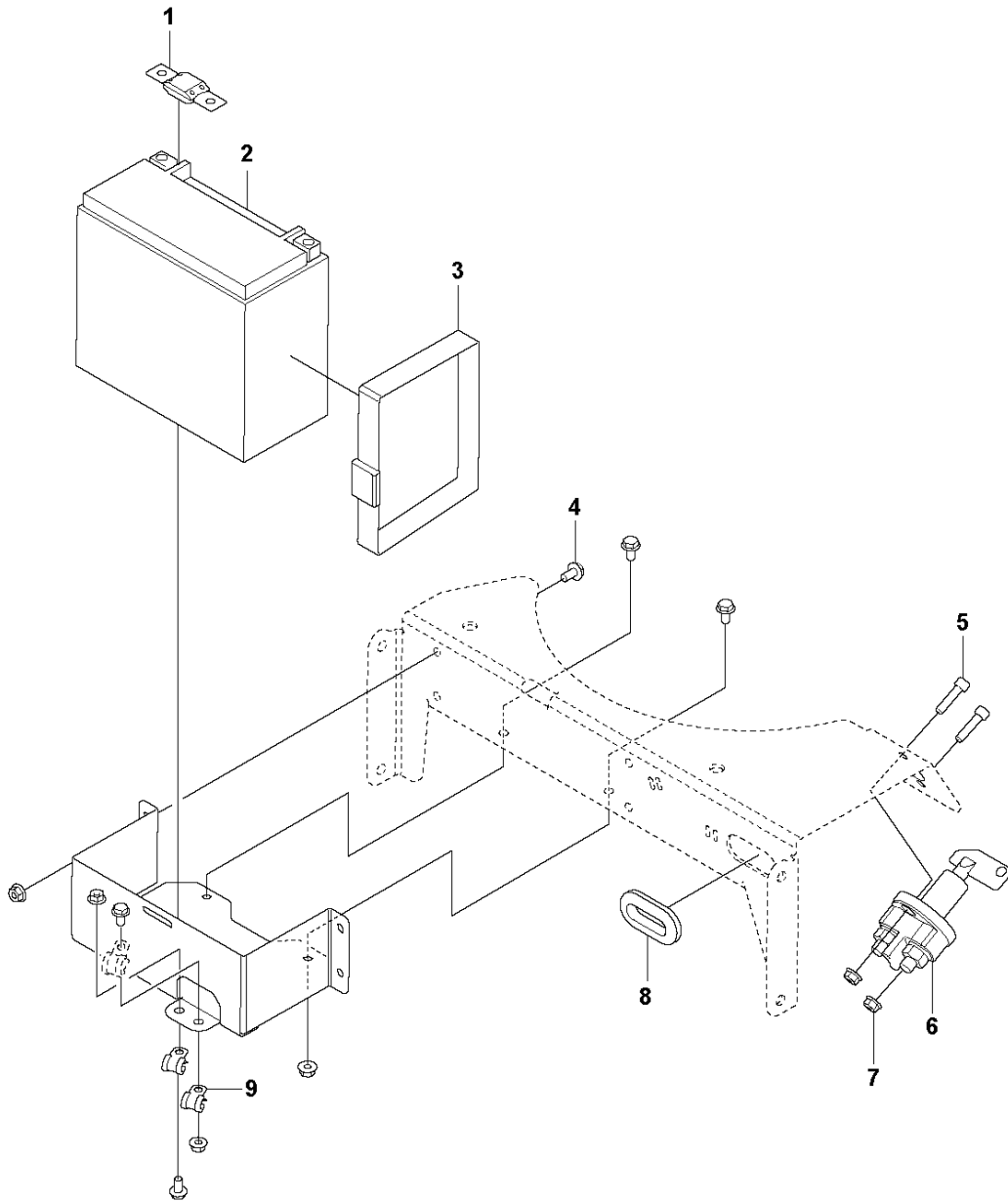
Ref	Part No	Description	Remark	QTY KIT
1	531 11 94-26	SCREW	M6x16 Torx	10
2	585 98 06-01	SCREW EHHFM	M6x16 Flange	2
3	598 48 91-01	COVER		1
4	593 51 48-01	SCREW	M10x20	4
5	596 61 39-01	FRAME BRACKET		1
6	598 92 13-01	SCREW	M8x16	4
7	598 48 01-01	DISTANCE	20x15x12	4
8	597 24 97-01	COVER	Right	1
9	596 61 41-01	COUNTERWEIGHT		2
10	598 45 79-01	BAR	Assy	1
11	598 92 12-01	SCREW	M8x35	4
12	597 94 67-01	FRONT COVER		1
13	585 98 06-01	SCREW EHHFM	M6x16 Flange	4
14	597 39 89-01	LIFTING ARM		1
15	597 24 97-02	COVER	Left	1
16	593 50 08-01	RIVET	Blind rivet 4,8x12	8
17	576 64 57-06	NUT FLANGE	M12 Nylon Lock Nut	4
18	598 74 93-01	SCREW	M12x40 10.9	4

**N** PG 690 PROPANE  
GAS TANK HOLDER & CO SENSOR



Ref	Part No	Description	Remark	QTY KIT
1	597 69 00-01	HOSE	Propane hose	1
2	525 55 04-01	FITTING	ELBO 45	1
3	593 03 37-01	COUPLER	to Propane Tank	1
4	597 97 28-01	STRAP	Strap with latch	1
5	597 96 36-01	BRACKET	Tank bracket	1
6	595 68 03-01	NUT	M6	6
7	735 21 53-01	LOCKWASHER	6.4x11	6
8	599 53 17-01	BRACKET	Sensor protection	1
9	599 47 15-01	SENSOR ASSY	CO sensor assy	1
10	599 53 21-01	BRACKET	Sensor bracket	1
11	599 93 03-01	FILTER	Sensor filter	1
12	589 66 91-03	CLIP	M6/Ø14	1
13	576 64 57-04	NUT FLANGE	M8	2
14	506 57 01-05	SCREW EHHFM	M8x25	2

**P** PG 690 PROPANE  
BATTERY & MAIN SWITCH



## BATTERY &amp; MAIN SWITCH

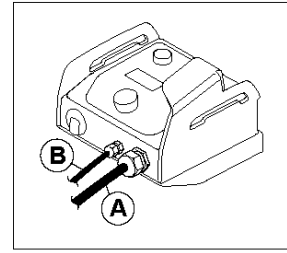
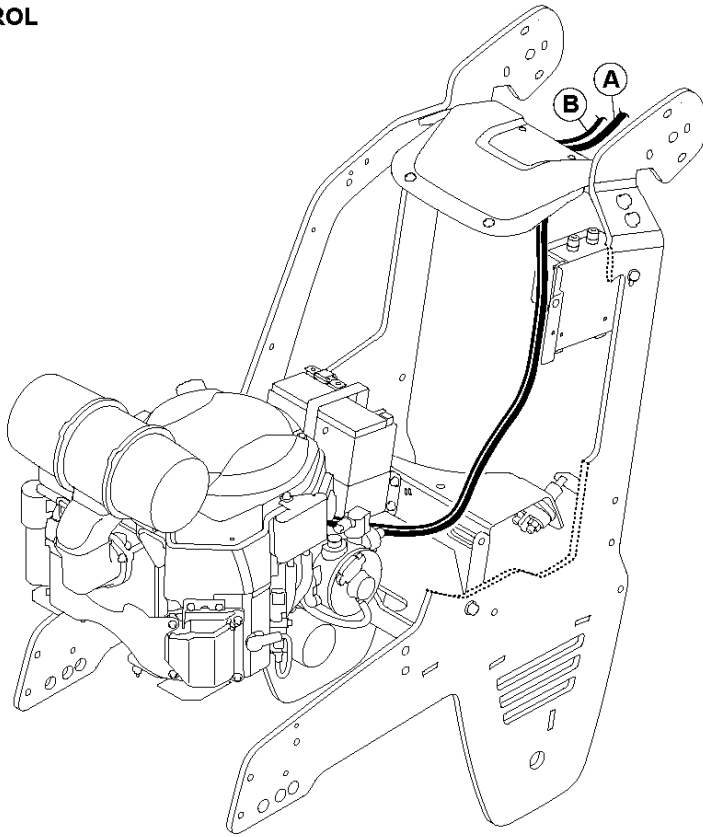
PG 690 Propane, 2020-06

Ref	Part No	Description	Remark	QTY KIT
1	598 68 52-01	FUSE	100A M8	1
2	596 60 87-01	BATTERY	12V 20Ah	1
3	595 66 00-01	BATTERY	Strap	1
4	591 46 85-01	SCREW	M6x12	5
5	725 53 72-65	SCREW IHSCM	M6x25	2
6	594 89 68-01	SWITCH	Battery master	1
7	595 68 03-01	NUT	M6	11
8	595 65 90-01	GROMMET	31x48x14	1
9	589669104	TBD	M6 Ø7.9	2

**Q** PG 690 PROPANE  
ELECTRICAL WIRING

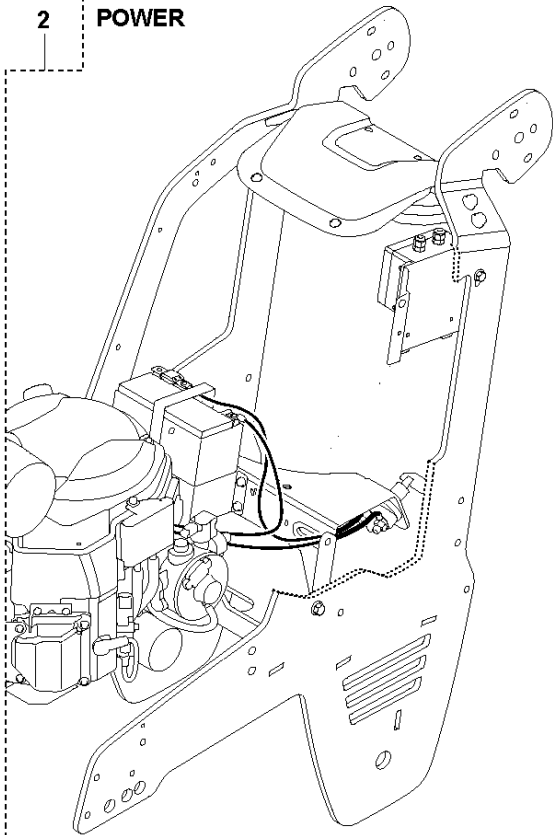
1

**CONTROL**



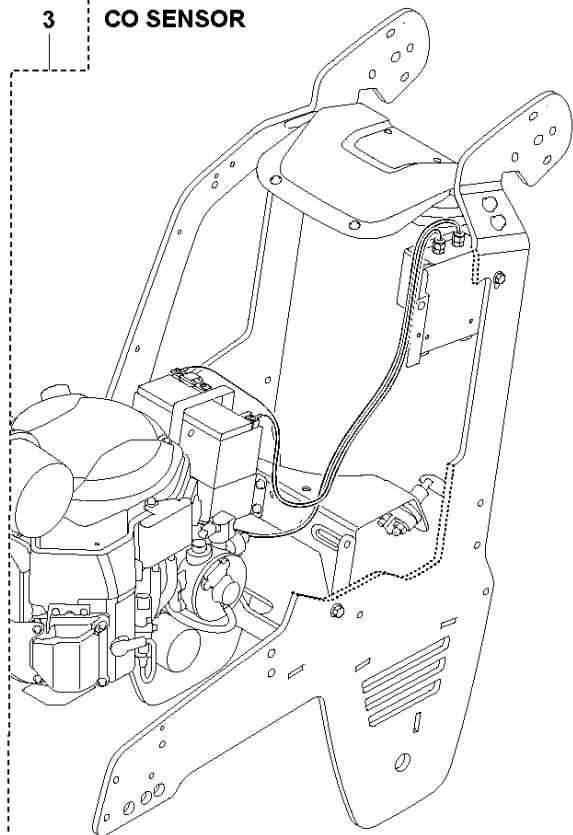
2

**POWER**



3

**CO SENSOR**

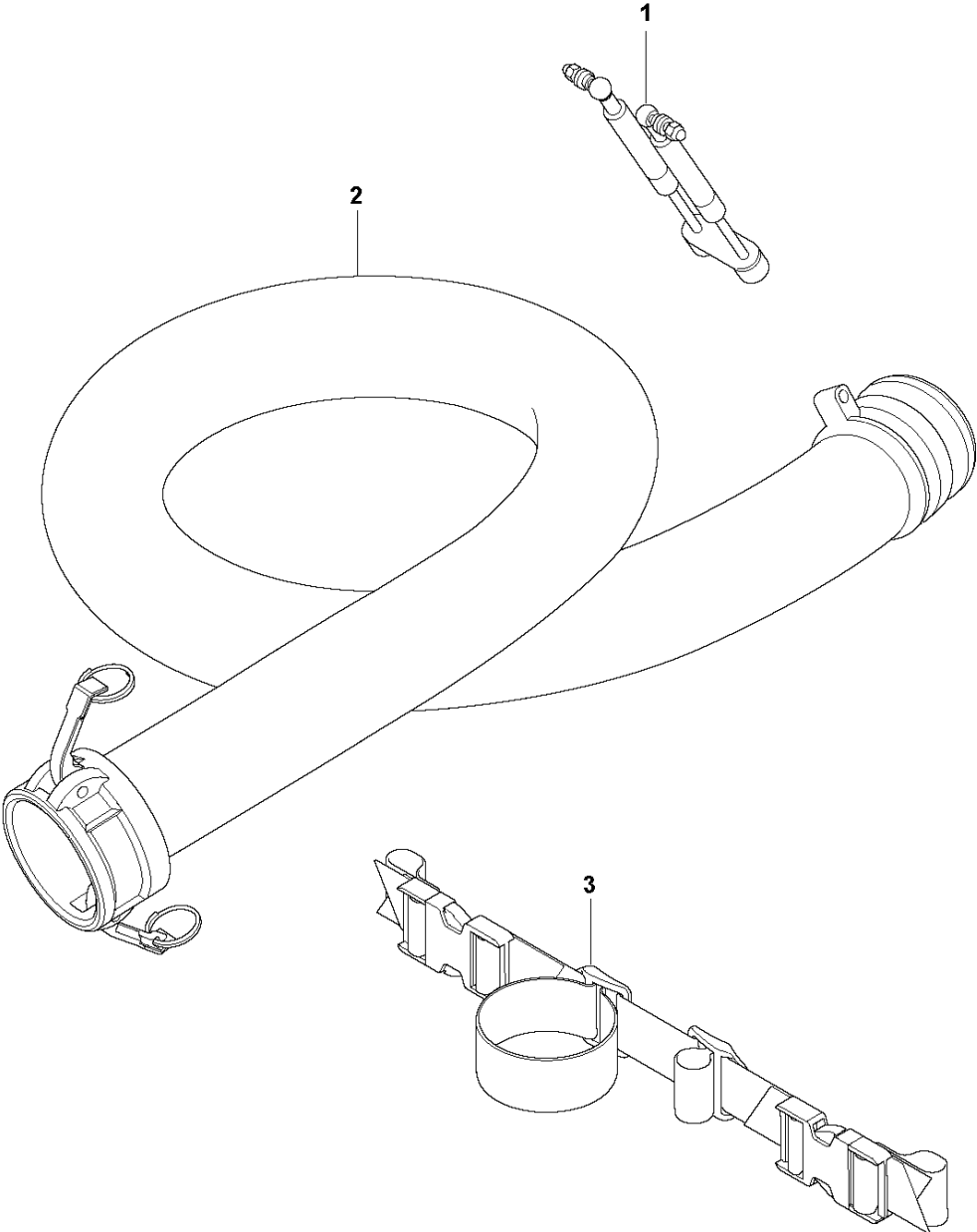


ELECTRICAL WIRING

PG 690 Propane, 2020-06

Ref	Part No	Description	Remark	QTY KIT
1	597 63 46-01	CONTROL PANEL	CONTROL PANEL - PG 690 P	1
2	598 56 13-01	CABLE	BATTERY - PG 690 P	1
3	599 47 15-01	SENSOR ASSY	CO-SENSOR - PG 690 P	1

**R** PG 690 PROPANE  
MISC SPARE PARTS



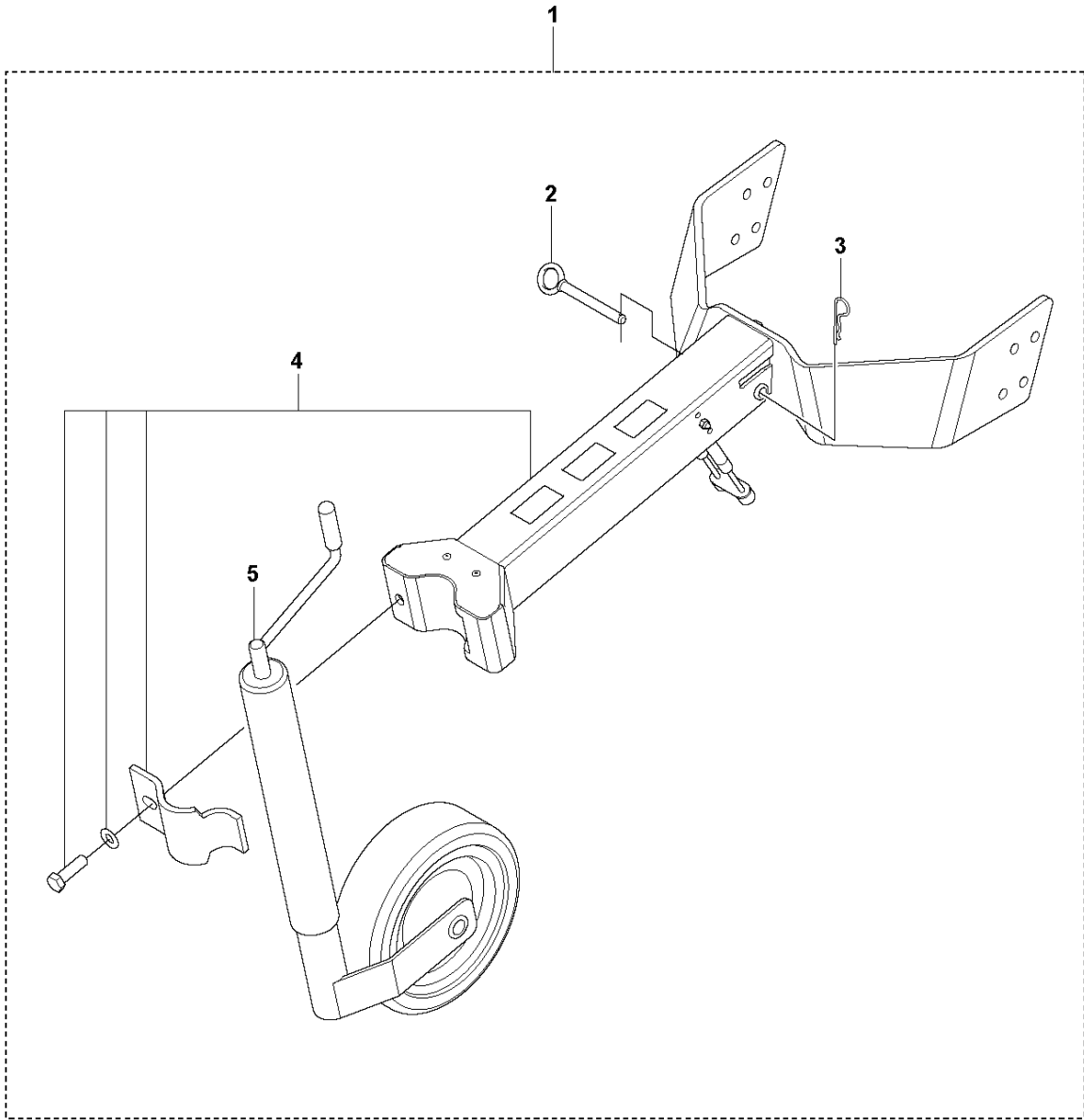


MISC SPARE PARTS

PG 690 Propane, 2020-06

Ref	Part No	Description	Remark	QTY KIT
1	598 76 53-01	GAS SPRING	Gas Spring Kit	1
2	599 69 00-01	HOSE KIT		1
3	593 53 67-01	STRAP	Hose guide assy	1

**S** PG 690 PROPANE  
SUPPORT WHEEL

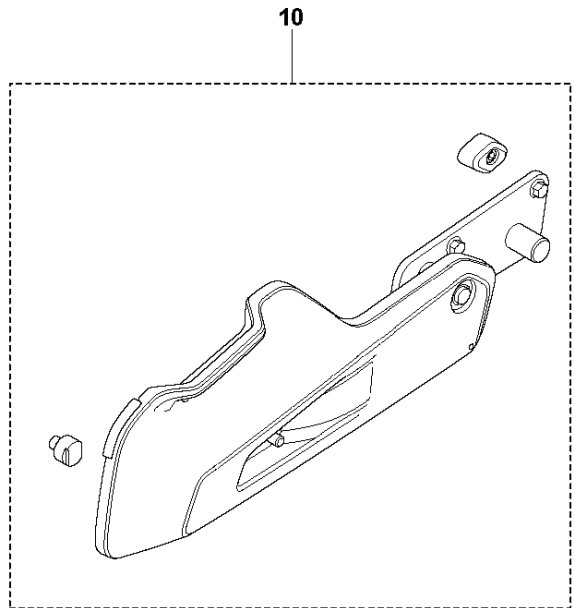
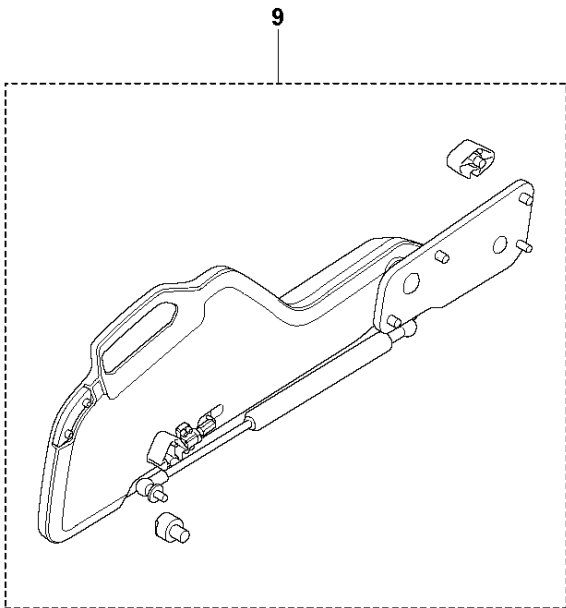
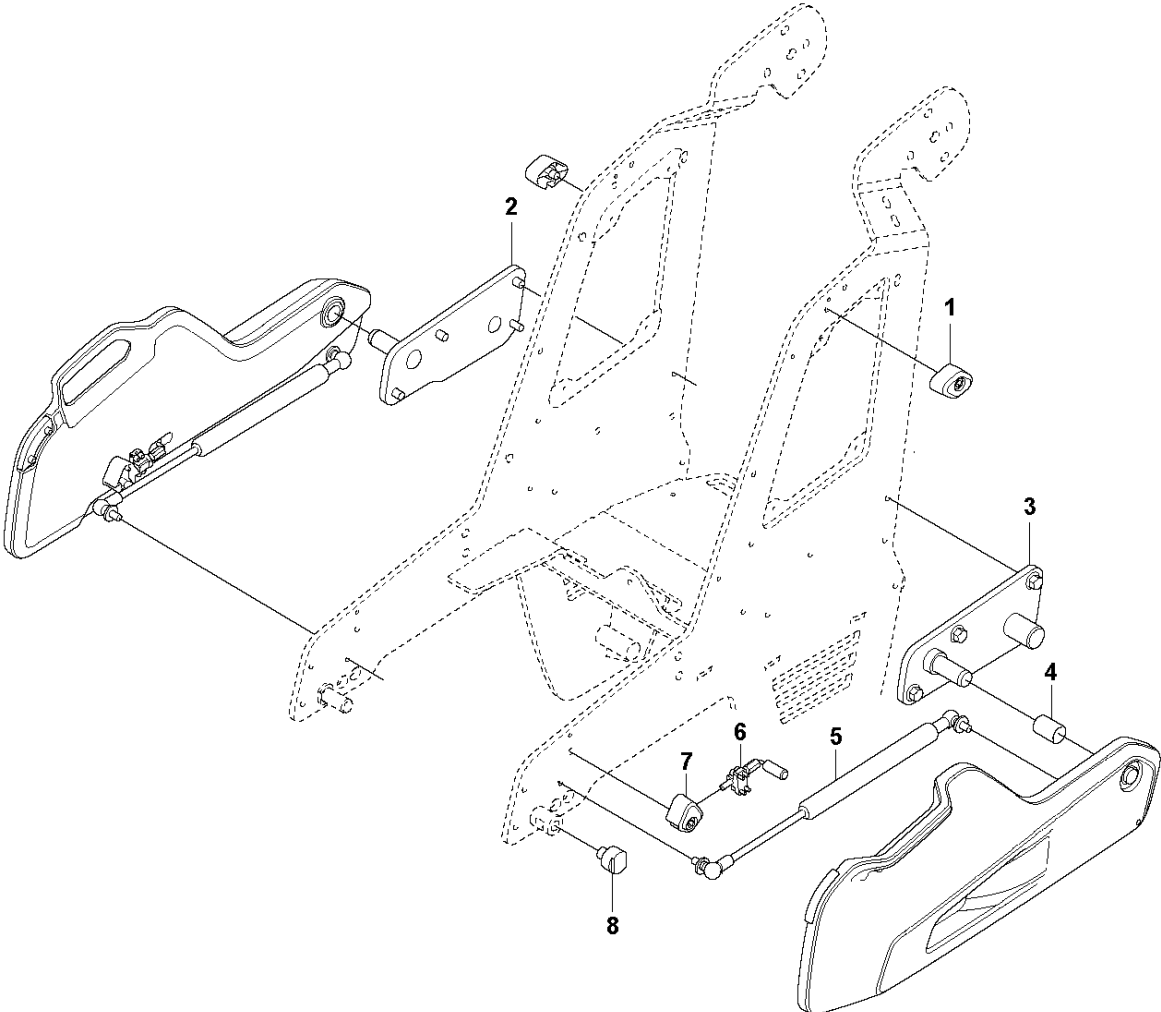


SUPPORT WHEEL

PG 690 Propane, 2020-06

Ref	Part No	Description	Remark	QTY	KIT
1	598 41 87-01	SUPPORT WHEEL		1	
2	598 41 93-01	AXLE	D12 Weld assy	1	1
3	721 68 02-51	SPRING COTTER	3St ZPB	1	1
4	598 76 59-01	SUPPORT WHEEL	Arm, Holder and Gas Spring Kit	1	1
5	593 47 00-01	SUPPORT WHEEL	Brosen	1	1

**T** PG 690 PROPANE  
WEIGHT ASSY

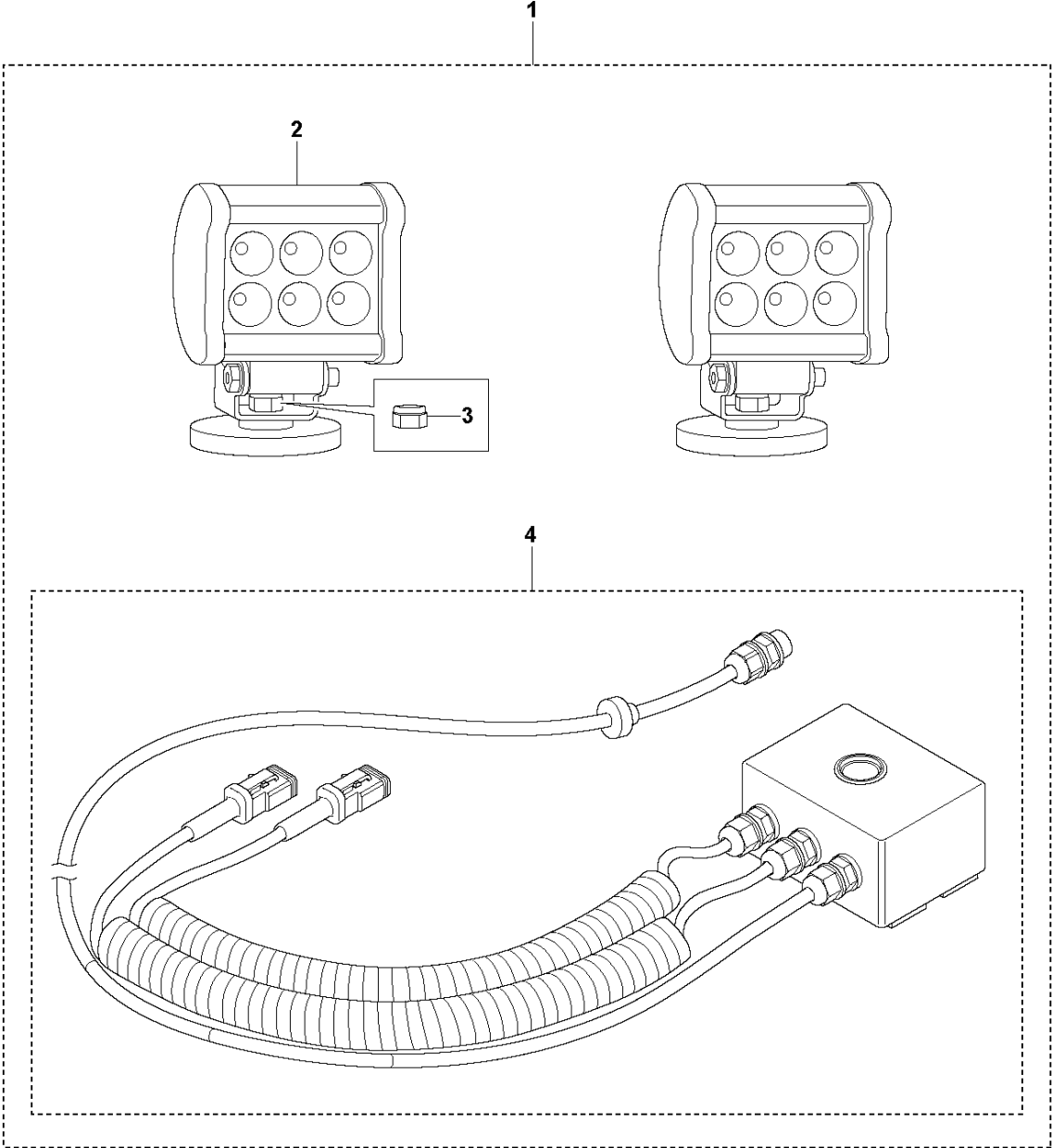


## WEIGHT ASSY

PG 690 Propane, 2020-06

Ref	Part No	Description	Remark	QTY KIT
1	596 61 45-01	BLOCK		2
2	596 61 46-01	BRACKET	RH	1
3	596 61 46-02	BRACKET	LH	1
4	593 41 72-01	BUSHING		2
5	593 58 23-01	GAS SPRING		2
6	535 40 38-01	SPRING PIN		4
6	598 03 44-01	SPRING PIN		2
6	535 40 38-01	SPRING PIN		2
7	599 65 62-01	BLOCK	Block incl. Screw	2
8	598 39 97-01	SUPPORT	Weight Support	2
9	598 03 89-01	WEIGHT	Weight Kit Right	1
10	598 03 88-01	WEIGHT	Weight Kit Left	1

**U** PG 690 PROPANE  
LIGHT KIT



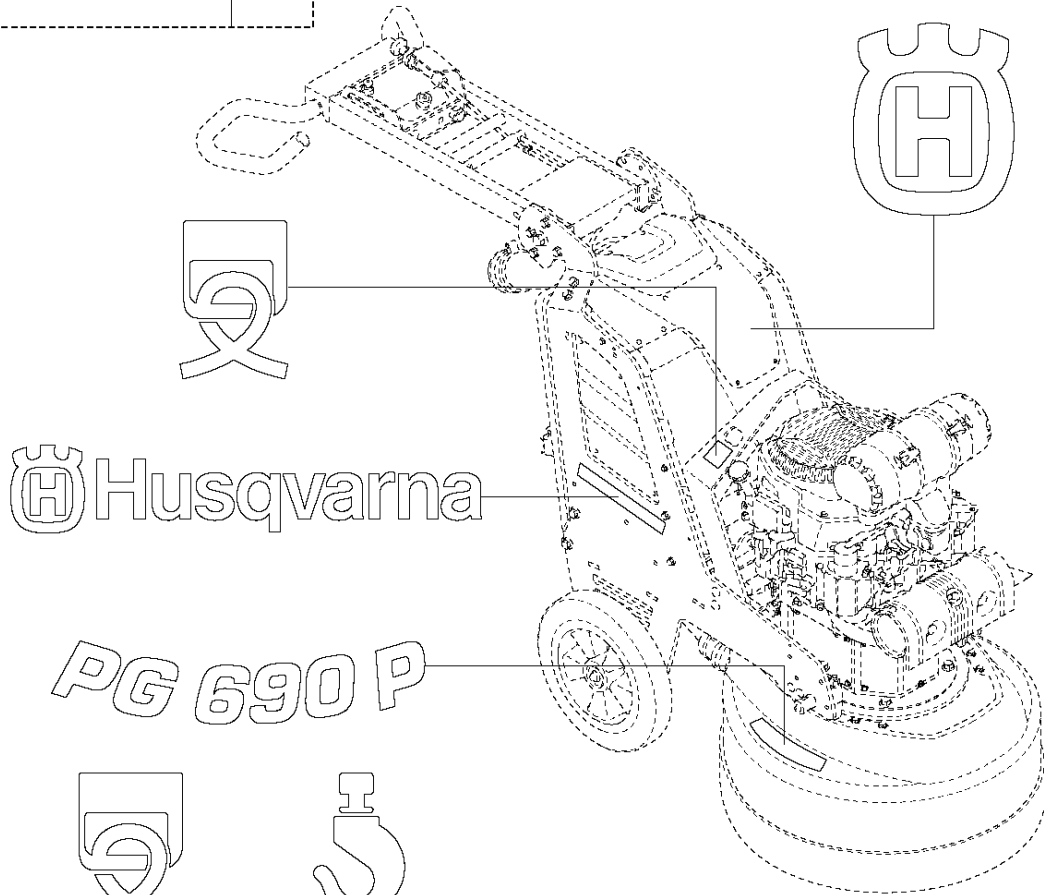
LIGHT KIT

PG 690 Propane, 2020-06

Ref	Part No	Description	Remark	QTY KIT	
1	597 92 52-01	LIGHT KIT		1	
2	593 54 06-01	LIGHT		2	1
3	593 49 98-01	LOCK NUT		2	1
4	598 69 22-01	CABLE		1	1

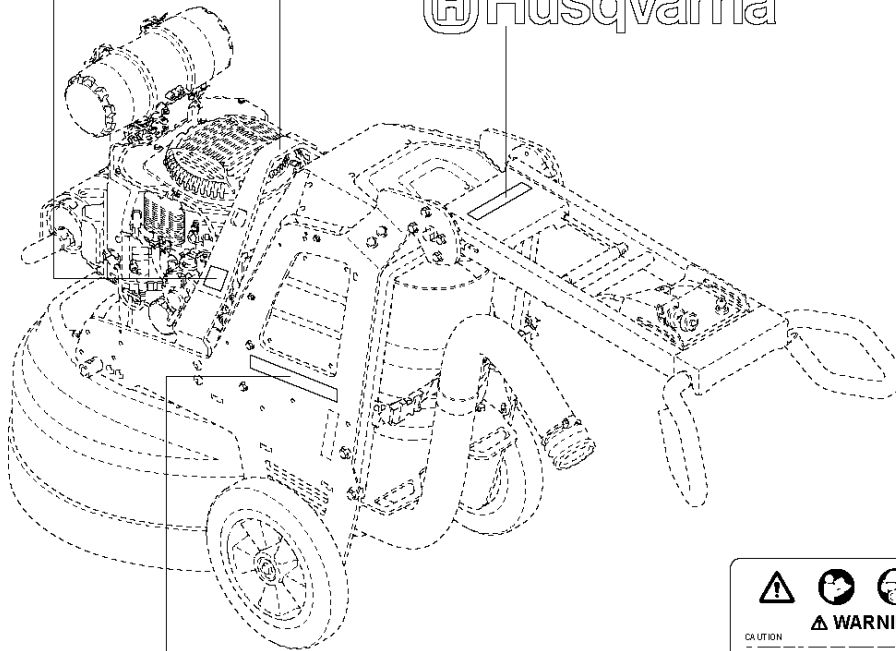
**V** PG 690 PROPANE  
DECALS

1



**H** Husqvarna

**PG 690 P**



**H** Husqvarna

**H** Husqvarna

<b>⚠ WARNING</b>			
CAUTION _____			
WARNING _____			
ATTENTION _____			
AVERTISSEMENT _____			



DECALS

PG 690 Propane, 2020-06

Ref	Part No	Description	Remark	QTY KIT
1	599 65 56-06	DECAL KIT	Decal kit PG690 Propane	1