

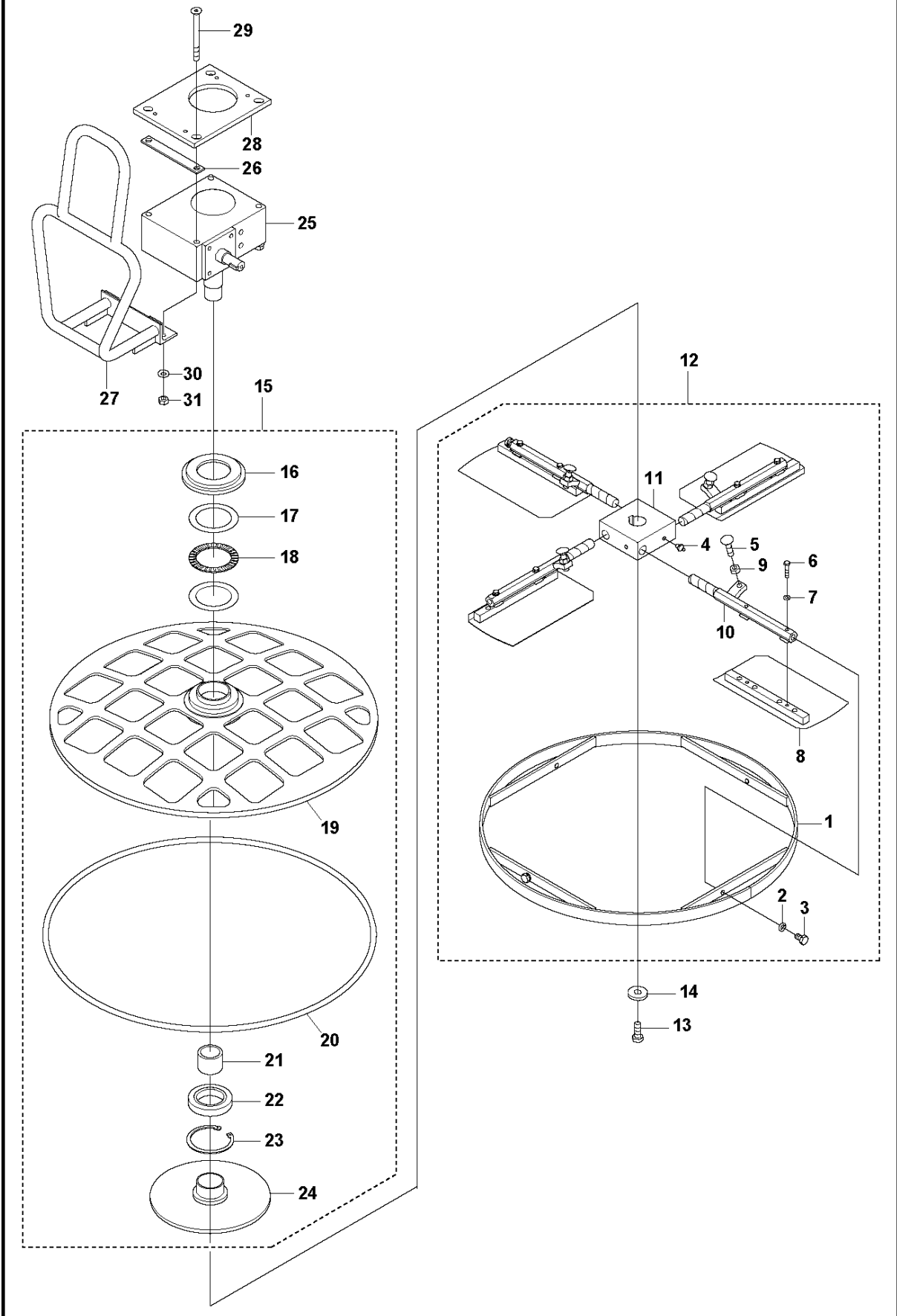


SPARE PARTS LIST

TROWELS

BG 244 F TP US, 967859301, 2019-06

A BG 244 F TP US
BLADE ASSY & PROTECTIVE RING

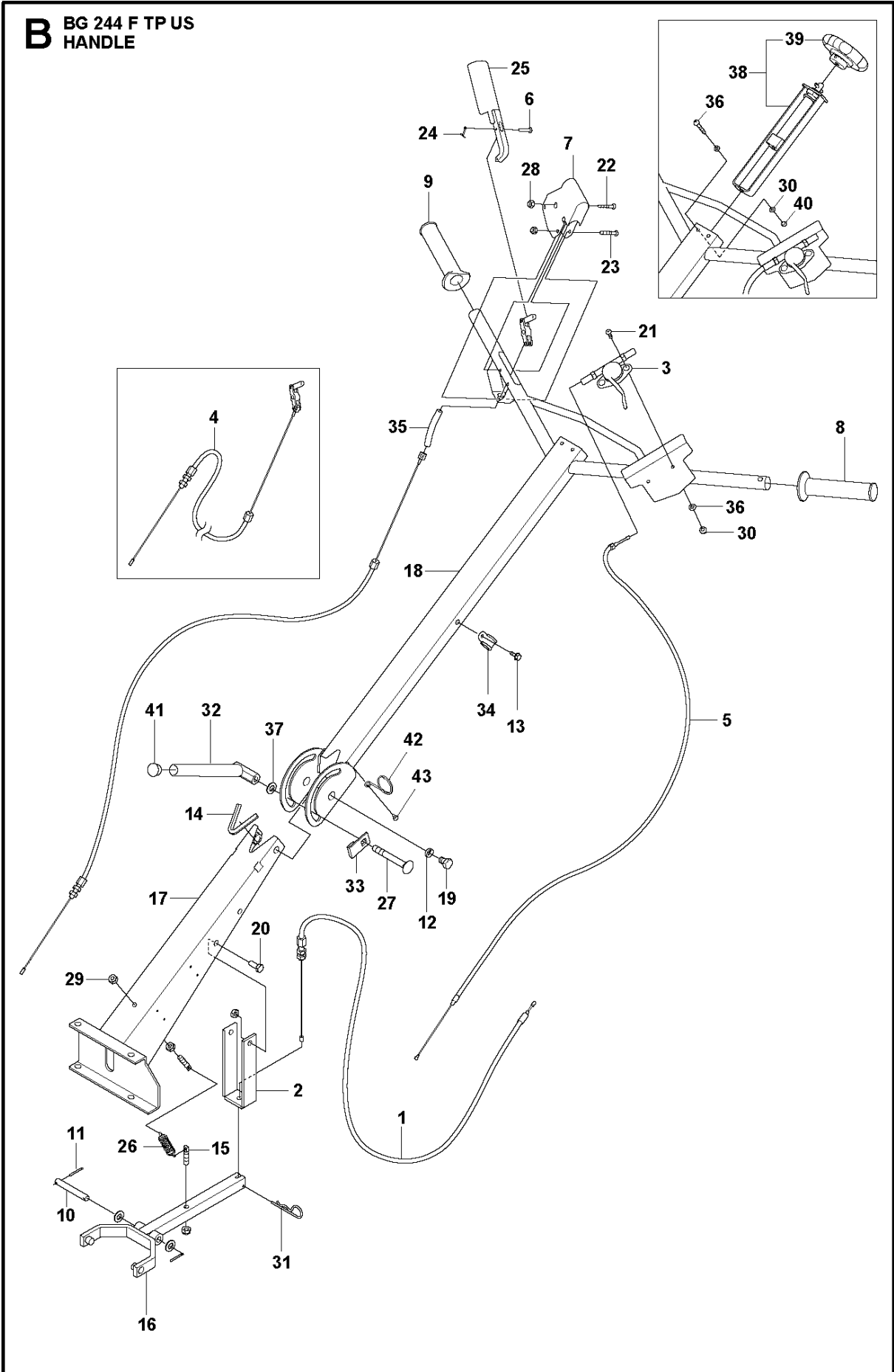


BLADE ASSY & PROTECTIVE RING

BG 244 F TP US, 967859301, 2019-06

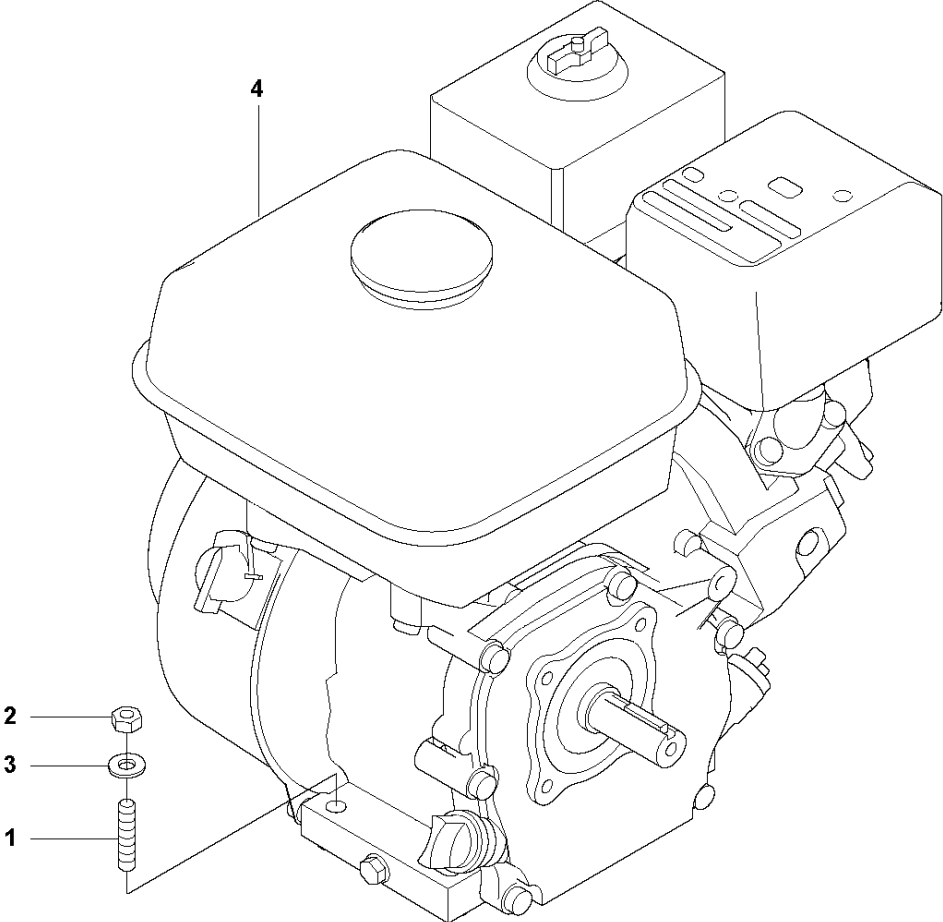
| Ref | Part No | Description | Remark | QTY KIT | |
|-----|--------------|--------------------|-----------------------------------|---------|----|
| 1 | 594 24 35-01 | RING | | 1 | 12 |
| 2 | 595 11 38-01 | WASHER | M10 DIN127-B A2K | 4 | 12 |
| 3 | 595 34 46-01 | SCREW | M10x16 ISO4017 8.8 A3K | 1 | 12 |
| 4 | 594 12 68-01 | LUBRICATION NIPPLE | M8x1.25 DIN71412-A ZnB | 4 | 12 |
| 5 | 595 35 08-01 | BOLT | M10x40 ISO8677 8.8 FZB | 4 | 12 |
| 6 | 595 10 99-01 | SCREW | M6x30 ISO4014 8.8 A2K | 8 | 12 |
| 7 | 595 35 31-01 | WASHER | M6 DIN127-B A2K | 8 | 12 |
| 8 | 594 70 99-01 | BLADE KIT | Combination blades, set of 4 pcs. | 1 | 12 |
| 9 | 595 02 94-01 | NUT | M10 ISO4032 A3K | 4 | 12 |
| 10 | 594 24 34-01 | AXLE | | 4 | 12 |
| 11 | 594 24 33-01 | BLADE | | 1 | 12 |
| 12 | 596 47 15-01 | BLADE SET | Blade assembly, complete | 1 | |
| 13 | 594 11 90-01 | BOLT | M12x30 DIN933-8.8 FZB | 1 | |
| 14 | 594 12 40-01 | WASHER | 13x36x6 FZB | 1 | |
| 15 | 595 29 88-01 | RING | Protective ring, complete | 1 | |
| 16 | 594 25 18-01 | SLEEVE | | 1 | 15 |
| 17 | 594 22 09-01 | WASHER | | 2 | 15 |
| 18 | 594 22 08-01 | BEARING | | 1 | 15 |
| 19 | 595 29 71-01 | RING | | 1 | 15 |
| 20 | 594 25 28-01 | RING | | 1 | 15 |
| 21 | 594 22 68-01 | BEARING | | 1 | 15 |
| 22 | 595 03 81-01 | BEARING | 6010-2RS1 | 1 | 15 |
| 23 | 595 11 42-01 | RING | D80 DIN472 | 1 | 15 |
| 24 | 594 24 42-01 | PRESSURE PLATE | | 1 | 15 |
| 25 | 594 23 13-01 | GEARBOX | | 1 | |
| 26 | 595 44 37-01 | PLATE | | 1 | |
| 27 | 595 29 73-01 | BRACKET | | 1 | |
| 28 | 595 29 72-01 | PLATE | | 1 | |
| 29 | 594 28 79-01 | SOCKET | M10x110 DIN7991-10.9 ZnB | 4 | |
| 30 | 595 11 33-01 | WASHER | M10 ISO7089 200HV A2K | 4 | |
| 31 | 595 02 94-01 | NUT | M10 ISO4032 A3K | 4 | |

B BG 244 F TP US
HANDLE



| Ref | Part No | Description | Remark | QTY | KIT |
|-----|--------------|---------------|-----------------------------|-----|-----|
| 1 | 594 25 25-01 | WIRE | Blade adjusting cable | 1 | |
| 2 | 595 14 09-01 | CLAMP | | 1 | |
| 3 | 594 22 41-01 | CONTROL LEVER | | 1 | |
| 4 | 597 92 33-01 | CABLE ASSY | Clutch cable, complete | 1 | |
| 5 | 594 25 20-01 | THROTTLE | Throttle cable | 1 | |
| 6 | 594 64 13-01 | CLEVIS PIN | 4x14 ISO 2341 Zn | 1 | |
| 7 | 595 27 93-01 | LEVER | | 1 | |
| 8 | 594 22 33-01 | HANDLE | | 1 | |
| 9 | 594 86 62-01 | HANDLE | | 1 | |
| 10 | 594 24 91-01 | SHAFT | | 1 | |
| 11 | 595 34 36-01 | SPLIT PIN | 2.5x22 DIN94 ZnB | 2 | |
| 12 | 594 25 27-01 | SLEEVE | | 2 | |
| 13 | 595 35 58-01 | SCREW | 4.8x16 DIN7504K Zn | 1 | |
| 14 | 594 22 95-01 | TRIM | | 1 | |
| 15 | 595 39 08-01 | SPRING | | 2 | |
| 16 | 594 24 38-01 | FORK | | 1 | |
| 17 | 595 29 74-01 | HANDLE | | 1 | |
| 18 | 595 29 90-01 | HANDLE | | 1 | |
| 19 | 594 11 83-01 | CAP | M10x14 ISO4017-8.8 A3K | 2 | |
| 20 | 594 11 79-01 | SCREW | M8x20 ISO4017-8.8 A2K | 2 | |
| 21 | 595 21 16-01 | SCREW | M5x16 ISO7380 10.9 ZnB | 2 | |
| 22 | 595 50 05-01 | SCREW | M4x30 ISO 7380 Zn | 2 | |
| 23 | 595 52 63-01 | SCREW | M5x30 ISO 7380 Zn | 2 | |
| 24 | 595 03 30-01 | PIN | 1x8 ISO1234 | 1 | |
| 25 | 595 27 58-01 | COVER | | 1 | |
| 26 | 594 86 78-01 | SPRING | | 1 | |
| 27 | 594 12 19-01 | BOLT | M10x80 DIN603-8.8 ZnB | 1 | |
| 28 | 595 35 19-01 | LOCK NUT | M4 DIN985-8 Zn | 2 | |
| 29 | 595 11 25-01 | NUT | M8 ISO10511-8 A2K | 5 | |
| 30 | 595 11 24-01 | NUT | M5 DIN985-8 Zn | 4 | |
| 31 | 594 11 75-01 | SPRING PIN | | 1 | |
| 32 | 594 25 26-01 | LOCKING LEVER | | 1 | |
| 33 | 594 25 34-01 | LOCKWASHER | | 1 | |
| 34 | 595 11 44-01 | PIPE CLAMP | | 1 | |
| 35 | 594 86 52-01 | JOINT | | 1 | |
| 36 | 594 12 38-01 | PLANE WASHER | M5 ISO7089 200HV A2K | 6 | |
| 37 | 595 11 33-01 | WASHER | M10 ISO7089 200HV A2K | 3 | |
| 38 | 595 52 00-01 | UNIT | Blade adjuster, Complete | 1 | |
| 39 | 594 24 57-01 | KNOB | | 1 | 38 |
| 40 | 595 21 17-01 | SCREW | M5x40 ISO7380 10.9 Zn | 2 | |
| 41 | 594 23 07-02 | PLUG | | 1 | |
| 42 | 594 24 65-01 | WIRE HOLDER | | 1 | |
| 43 | 595 11 17-01 | SCREW | ST4,2x13 DIN7981C 450 HV FZ | 1 | |

C BG 244 F TP US
ENGINE

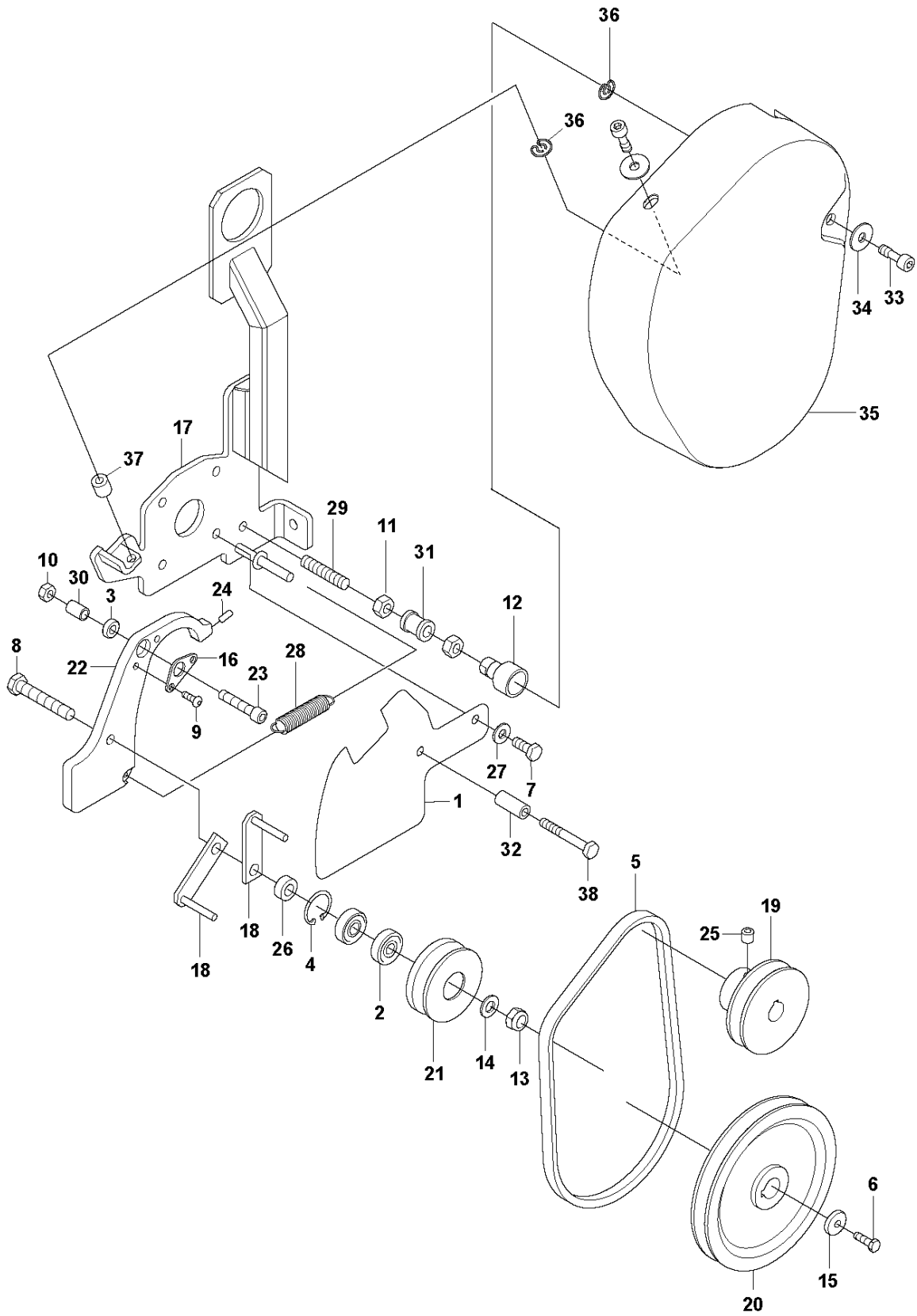


ENGINE

BG 244 F TP US, 967859301, 2019-06

| Ref | Part No | Description | Remark | QTY KIT |
|-----|--------------|-------------|-------------------------------|---------|
| 1 | 595 11 20-01 | BOLT | | 4 |
| 2 | 595 03 57-01 | NUT | M8 DIN 934-8 zn | 4 |
| 3 | 595 11 36-01 | WASHER | M8 DIN 6796 ZnB | 4 |
| 4 | 594 34 00-01 | ENGINE | Honda GX120UT3 SXS4 SD NH1 | 1 |

D BG 244 F TP US
CLUTCH & PULLEY

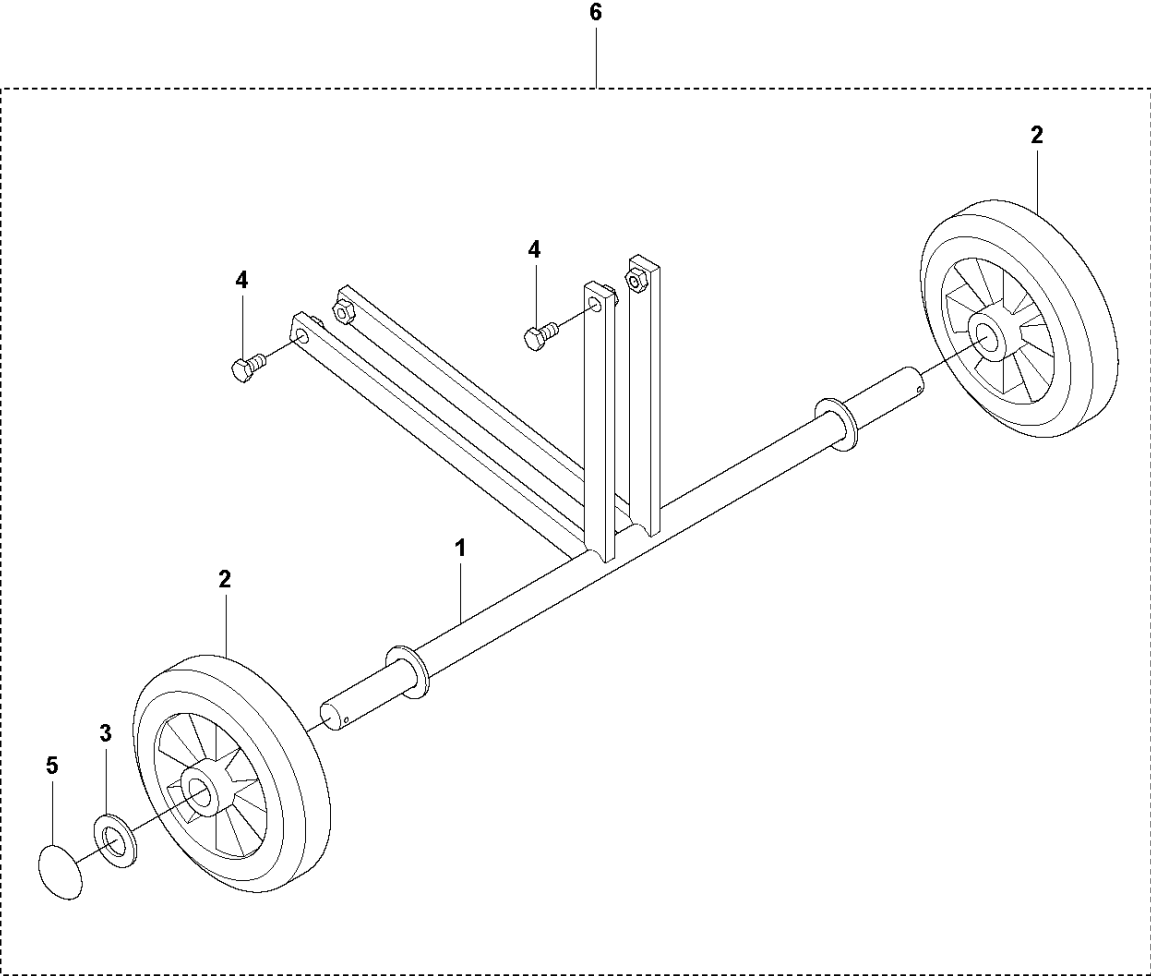


CLUTCH & PULLEY

BG 244 F TP US, 967859301, 2019-06

| Ref | Part No | Description | Remark | QTY KIT |
|-----|--------------|----------------|-----------------------------|---------|
| 1 | 595 50 02-01 | PLATE | | 1 |
| 2 | 594 53 13-01 | BALL BEARING | SKF 6200-2RSH | 2 |
| 3 | 594 64 11-01 | BEARING | | 1 |
| 4 | 595 03 73-01 | RING | D 30 DIN472 | 1 |
| 5 | 594 23 06-01 | V-BELT | | 1 |
| 6 | 595 10 98-01 | SCREW | M6x20H ISO4017 8.8 A2K | 1 |
| 7 | 594 11 79-01 | SCREW | M8x20 DIN 933 8.8 zn | 2 |
| 8 | 595 34 49-01 | BOLT | M10x60 ISO4017 8.8 A3K | 1 |
| 9 | 595 21 16-01 | SCREW | M5x16 ISO7380 10.9 ZnB | 2 |
| 10 | 595 03 57-01 | NUT | M8 DIN 934-8 Zn | 1 |
| 11 | 595 02 94-01 | NUT | M10 DIN 934-8 Zn | 2 |
| 12 | 594 86 56-01 | HOLDER | | 1 |
| 13 | 595 18 34-01 | NUT | M10 DIN985 | 1 |
| 14 | 595 11 33-01 | WASHER | M10 ISO7089 A2K | 1 |
| 15 | 595 11 92-01 | WASHER | 6.4x22x4 | 1 |
| 16 | 594 86 43-01 | PLATE | | 1 |
| 17 | 595 29 85-01 | HOOK | | 1 |
| 18 | 594 86 44-01 | PLATE | | 2 |
| 19 | 595 14 08-01 | PINION | | 1 |
| 20 | 594 24 16-01 | PULLEY | | 1 |
| 21 | 594 86 45-01 | PULLEY | | 1 |
| 22 | 594 86 57-01 | SPROCKET | | 1 |
| 23 | 594 86 58-01 | SCREW | | 1 |
| 24 | 594 28 62-01 | SCREW | M5x12 45H ISO4028 | 1 |
| 25 | 595 34 66-01 | SCREW | M6x8 ISO 4029 45H ZnB | 2 |
| 26 | 594 15 96-01 | WASHER | 10.5/20X8 | 1 |
| 27 | 595 11 36-01 | WASHER | M8 DIN 6796 ZnB | 2 |
| 28 | 594 24 95-01 | SPRING | | 1 |
| 29 | 595 21 15-01 | STUD | M10x55 DIN 976-8.8 ZnB | 1 |
| 30 | 595 50 09-01 | TUBE | | 1 |
| 31 | 595 21 10-01 | TUBE | | 1 |
| 32 | 595 50 08-01 | TUBE | | 1 |
| 33 | 594 64 25-01 | SCREW | | 2 |
| 34 | 594 12 37-01 | WASHER | M8 DIN9021 (8.4x25x2)FZB | 2 |
| 35 | 595 27 67-01 | BELT COVER | | 1 |
| 36 | 594 65 02-01 | LOCKING SPRING | | 2 |
| 37 | 594 86 75-01 | BUSHING | | 1 |
| 38 | 595 05 41-01 | SCREW | M8x45 ISO4014 8.8 A2K | 1 |

E BG 244 F TP US
TRANSPORT DEVICE

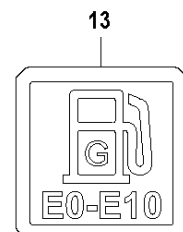
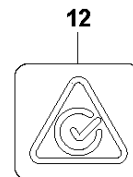
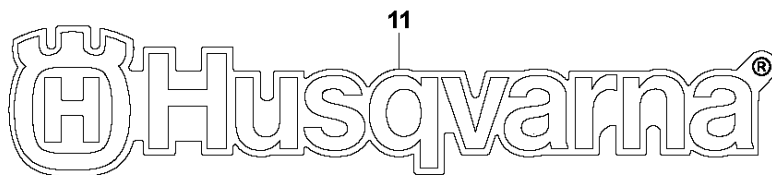
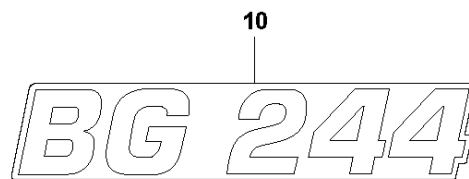
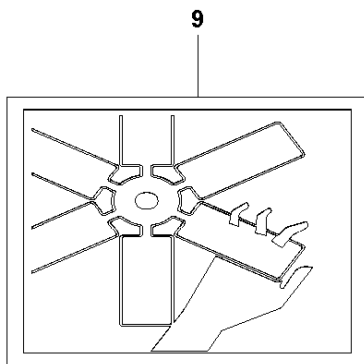
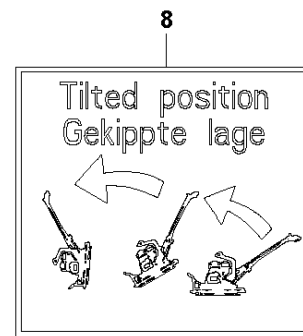
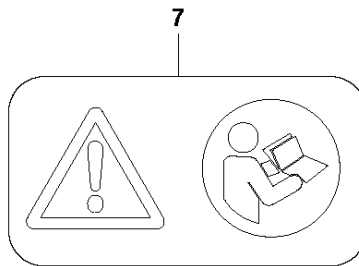
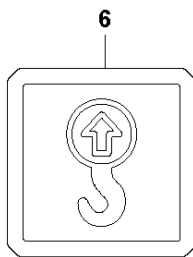
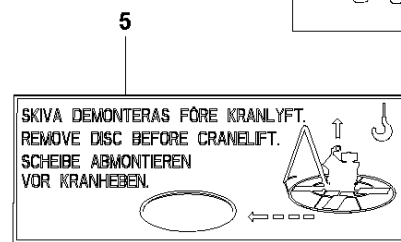
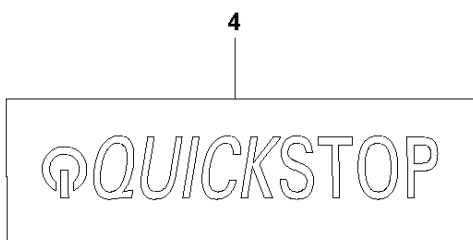
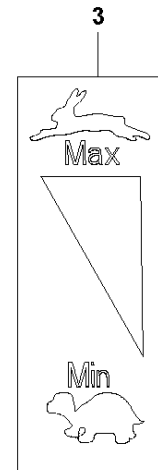
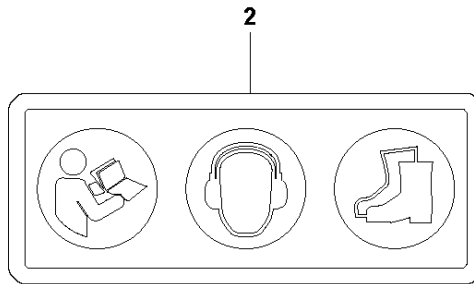
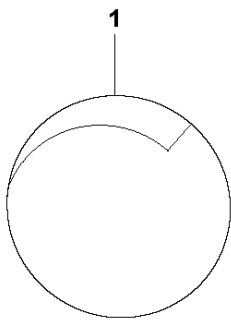


TRANSPORT DEVICE

BG 244 F TP US, 967859301, 2019-06

| Ref | Part No | Description | Remark | QTY | KIT |
|-----|--------------|-----------------|----------------------------|-----|-----|
| 1 | 595 13 65-01 | FRAME | | 1 | 6 |
| 2 | 596 86 59-53 | WHEEL | | 2 | 6 |
| 3 | 596 86 59-57 | WASHER | M20 ISO 7090 FZV 200HB | 2 | 6 |
| 4 | 595 11 01-01 | SCREW | M8x16 ISO4017 8.8 A2K | 4 | 6 |
| 5 | 594 76 89-01 | WASHER | | 2 | 6 |
| 6 | 596 19 22-01 | TRANSPORT WHEEL | Transport device, complete | 1 | |

F BG 244 F TP US
DECALS

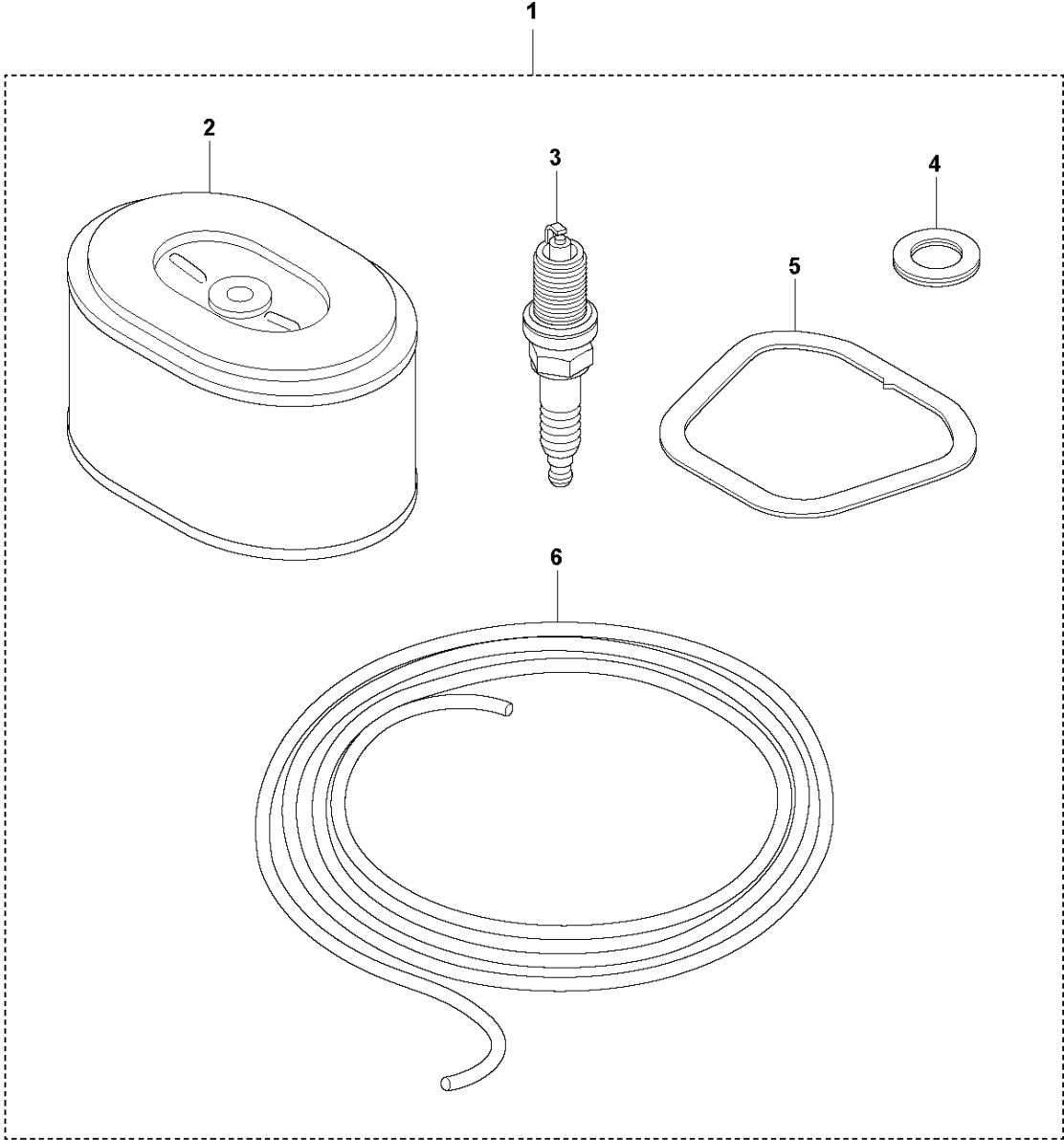


DECALS

BG 244 F TP US, 967859301, 2019-06

| Ref | Part No | Description | Remark | QTY KIT |
|-----|--------------|-------------|--------------------------|---------|
| 1 | 594 24 58-01 | DECAL | DECAL Blade Angle | 1 |
| 2 | 594 65 96-01 | LABEL | Safety | 1 |
| 3 | 595 21 13-01 | DECAL | | 1 |
| 4 | 595 11 91-01 | DECAL | | 1 |
| 5 | 594 24 59-01 | DECAL | Remove Floating Disc | 1 |
| 6 | 594 66 09-01 | LABEL | Lifting Point | 1 |
| 7 | 594 86 97-01 | LABEL | Safety, Read instruction | 1 |
| 8 | 595 21 12-01 | DECAL | | 1 |
| 9 | 594 16 30-01 | DECAL | Cutting Hazard | 1 |
| 10 | 595 09 71-01 | DECAL | Brand | 2 |
| 11 | 577 06 20-01 | DECAL | Husqvarna logo | 1 |
| 12 | 596 28 02-01 | DECAL | | 1 |
| 13 | 594 66 02-01 | LABEL | | 1 |

G BG 244 F TP US
SERVICE KIT - HONDA GX 120

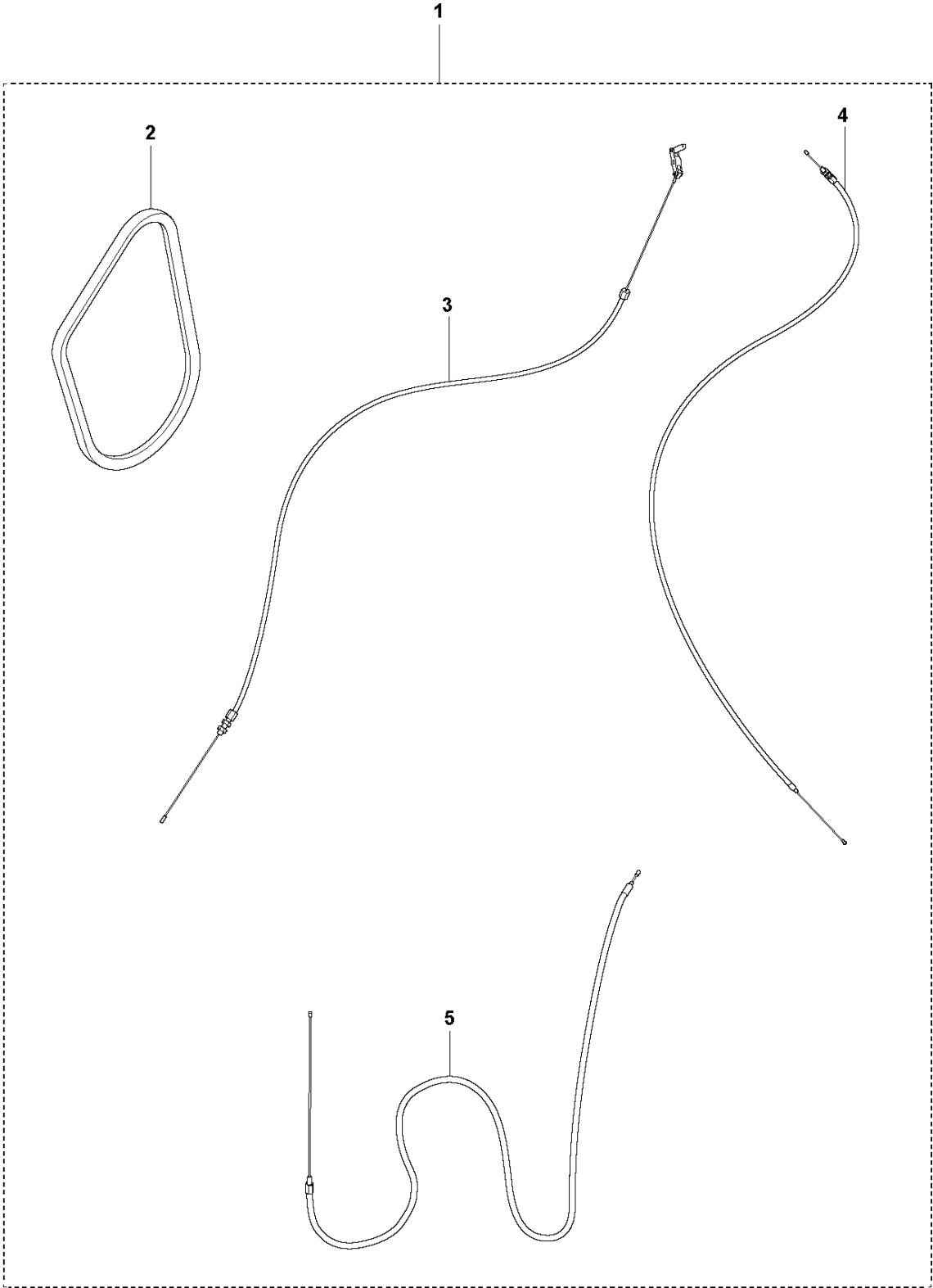


SERVICE KIT

BG 244 F TP US, 967859301, 2019-06

| Ref | Part No | Description | Remark | QTY KIT | |
|-----|--------------|-------------|--------------|---------|---|
| 1 | 594 20 02-01 | SERVICE KIT | | 1 | |
| 2 | 594 30 21-01 | AIR FILTER | | 1 | 1 |
| 3 | 594 54 43-01 | SPARK PLUG | BPR6ES (NGK) | 1 | 1 |
| 4 | 595 04 89-01 | GASKET | | 1 | 1 |
| 5 | 594 31 30-01 | GASKET | | 1 | 1 |
| 6 | 595 04 91-01 | ROPE | | 1 | 1 |

H BG 244 F TP US
MAINTENANCE KIT



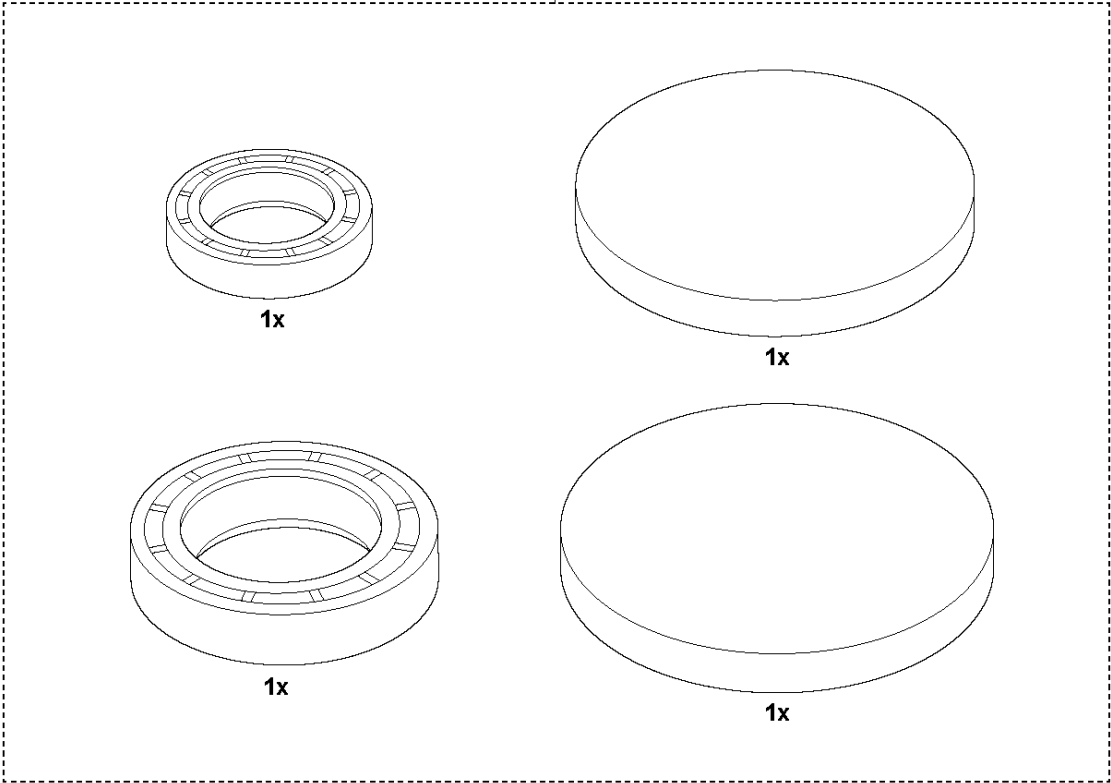
MAINTENANCE KIT

BG 244 F TP US, 967859301, 2019-06

| Ref | Part No | Description | Remark | QTY KIT | |
|-----|--------------|-------------|------------------------|---------|---|
| 1 | 594 85 92-01 | SERVICE KIT | | 1 | |
| 2 | 594 23 06-01 | V-BELT | | 1 | 1 |
| 3 | 597 92 33-01 | CABLE ASSY | Clutch cable, complete | 1 | 1 |
| 4 | 594 25 20-01 | THROTTLE | Throttle cable | 1 | 1 |
| 5 | 594 25 25-01 | WIRE | Blade adjusting cable | 1 | 1 |

J BG 244 F TP US
GEARBOX SEAL KIT

1



GEARBOX SEAL KIT

BG 244 F TP US, 967859301, 2019-06

| Ref | Part No | Description | Remark | QTY KIT |
|-----|--------------|-------------|----------------------------------|---------|
| 1 | 594 20 69-01 | SEAL | Gearbox seal kit (seals & plugs) | 1 |