

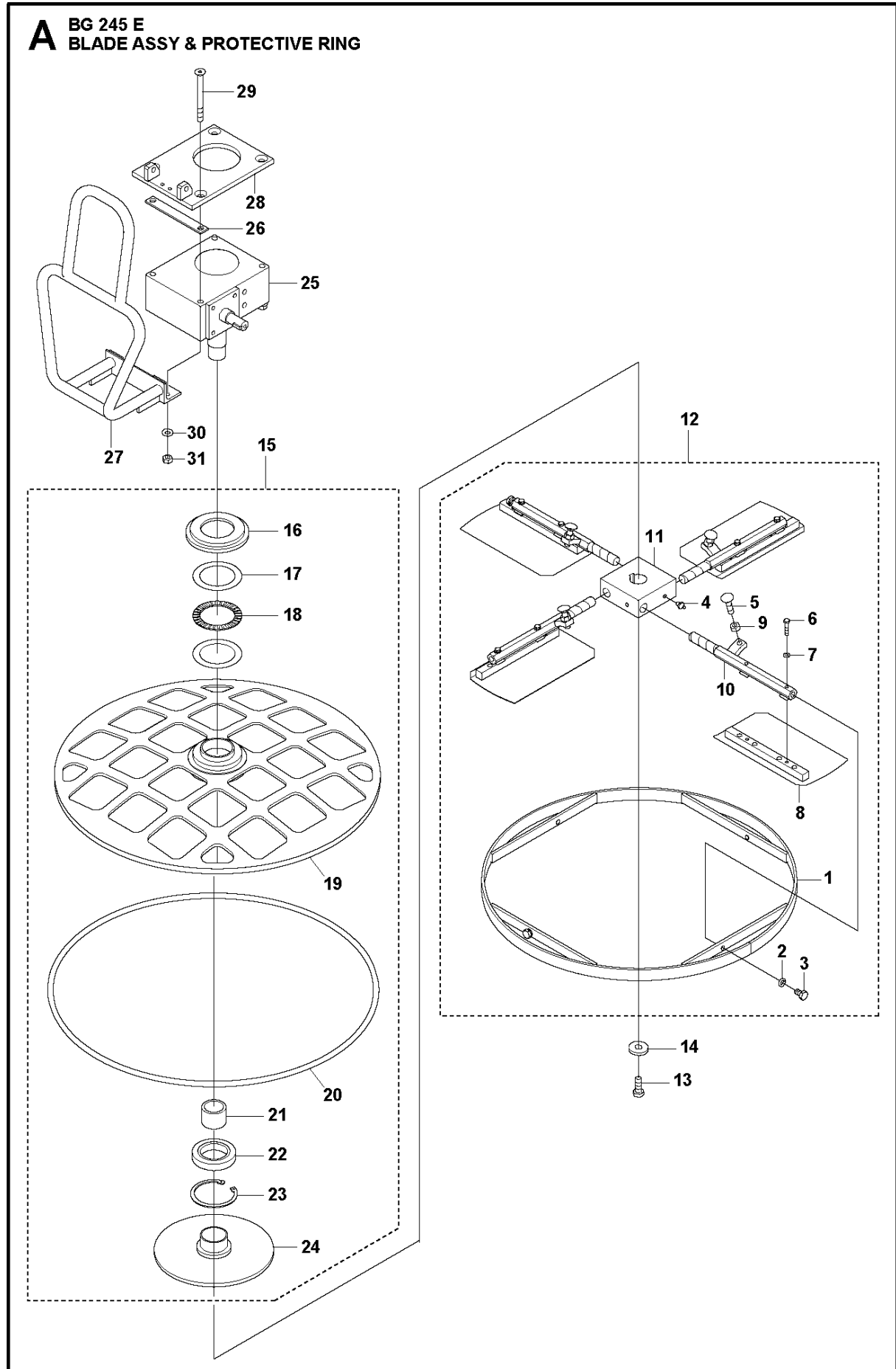


SPARE PARTS LIST

TROWELS

BG 245 E, 967929301, 2020-06

A BG 245 E
BLADE ASSY & PROTECTIVE RING

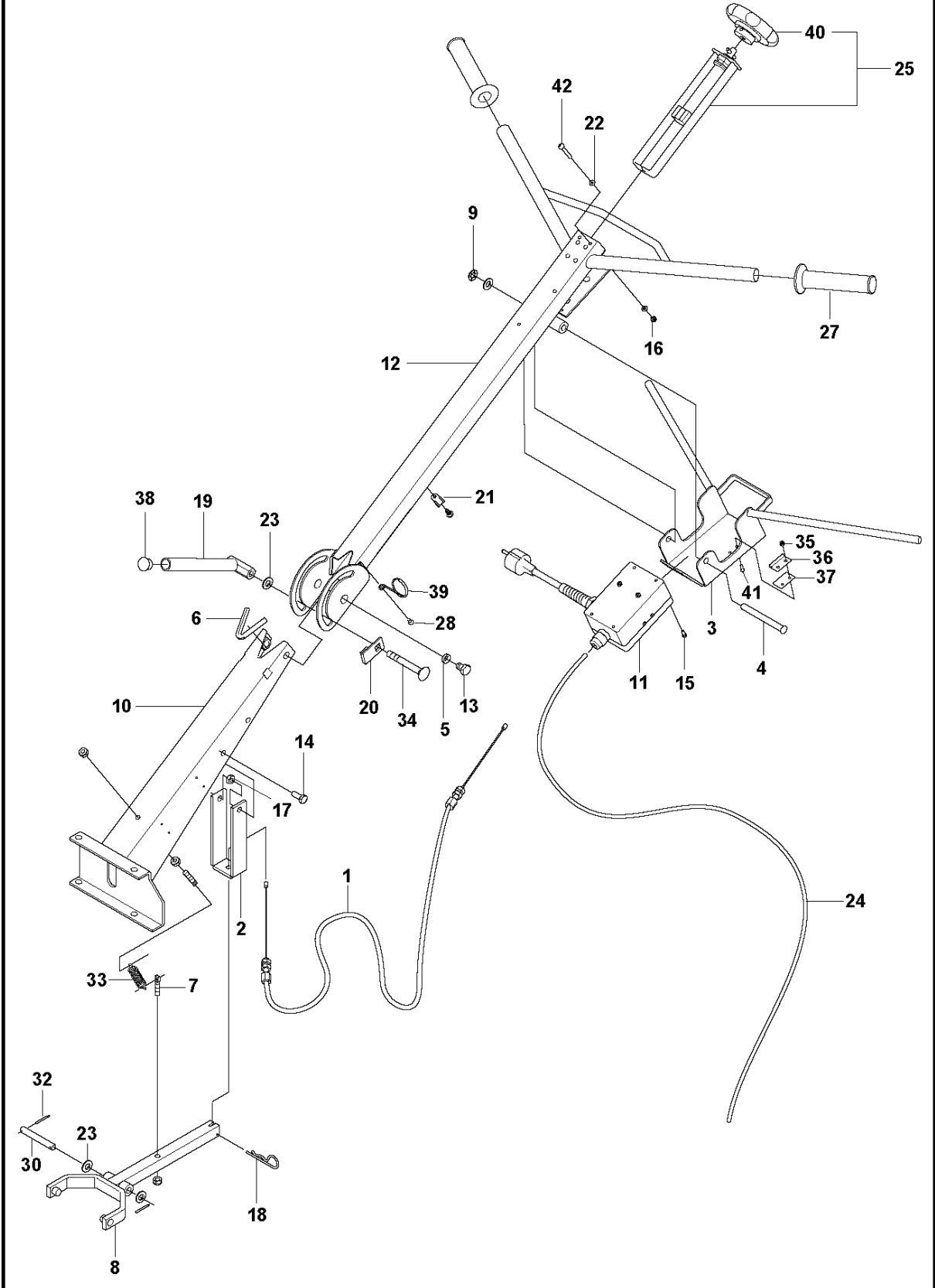


BLADE ASSY & PROTECTIVE RING

BG 245 E, 967929301, 2020-06

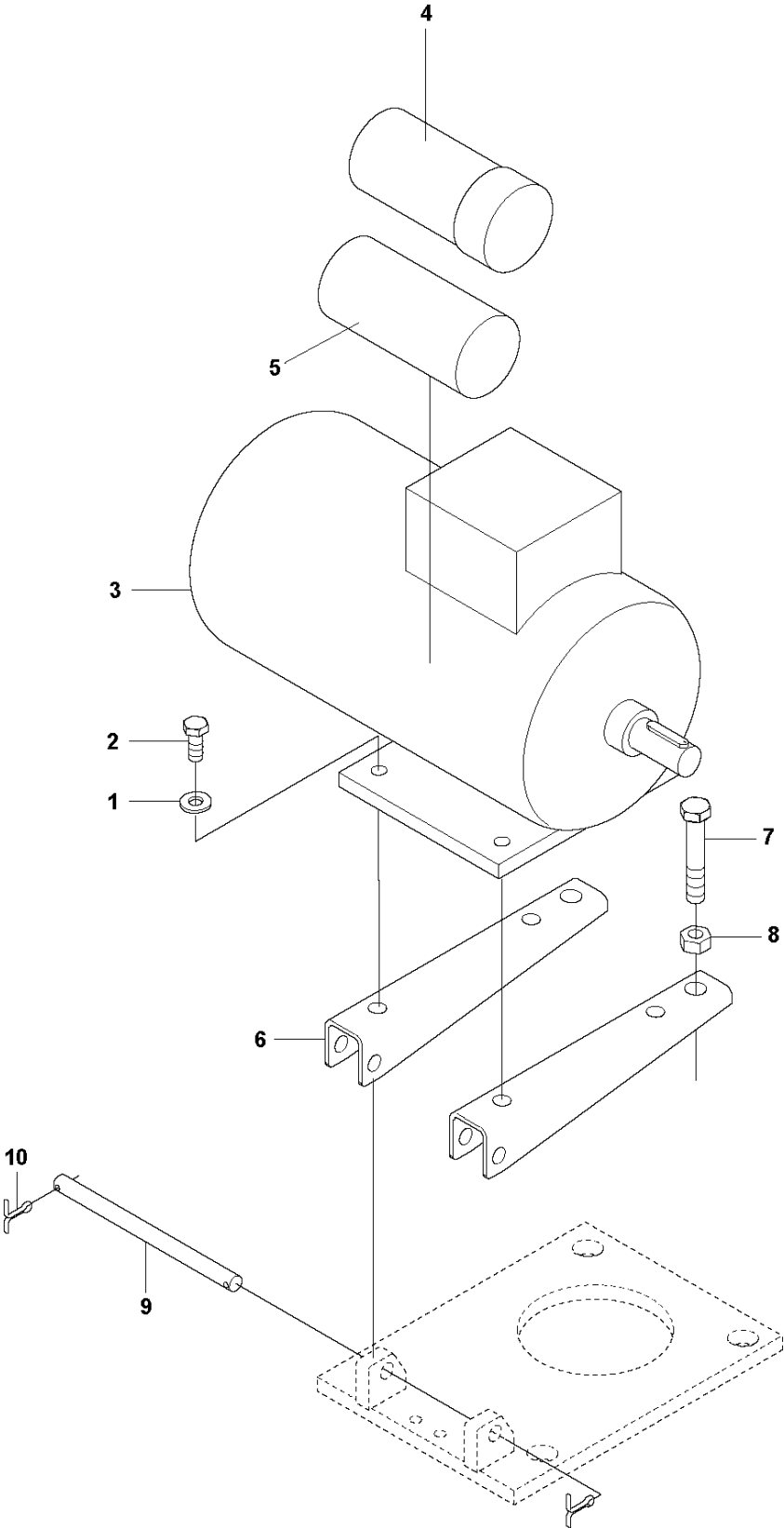
Ref	Part No	Description	Remark	QTY KIT	
1	594 24 35-01	RING		1	12
2	595 11 38-01	WASHER	M10 DIN127-B A2K	4	12
3	595 34 46-01	SCREW	M10x16 ISO4017 8.8 A3K	1	12
4	594 12 68-01	LUBRICATION NIPPLE	M8x1.25 DIN71412-A ZnB	4	12
5	595 35 08-01	BOLT	M10x40 ISO8677 8.8 FZB	4	12
6	595 10 99-01	SCREW	M6x30 ISO4014 8.8 A2K	8	12
7	595 35 31-01	WASHER	M6 DIN127-B A2K	8	12
8	594 70 99-01	BLADE KIT	Combination blades, set of 4 pcs.	1	12
9	595 02 94-01	NUT	M10 ISO4032 A3K	4	12
10	594 24 34-01	AXLE		4	12
11	594 24 33-01	BLADE		1	12
12	596 47 15-01	BLADE SET	Blade assembly, complete	1	
13	594 11 90-01	BOLT	M12x30 DIN933-8.8 FZB	1	
14	594 12 40-01	WASHER	13x36x6 FZB	1	
15	595 29 88-01	RING	Protective ring, complete	1	
16	594 25 18-01	SLEEVE		1	15
17	594 22 09-01	WASHER		2	15
18	594 22 08-01	BEARING		1	15
19	595 29 71-01	RING		1	15
20	594 25 28-01	RING		1	15
21	594 22 68-01	BEARING		1	15
22	595 03 81-01	BEARING	6010-2RS1	1	15
23	595 11 42-01	RING	D80 DIN472	1	15
24	594 24 42-01	PRESSURE PLATE		1	15
25	594 23 13-01	GEARBOX		1	
26	595 44 37-01	PLATE		1	
27	595 29 73-01	BRACKET		1	
28	596 86 57-15	ATTACHMENT		1	
29	594 28 79-01	SOCKET	M10x110 DIN7991-10.9 ZnB	4	
30	595 11 33-01	WASHER	M10 ISO7089 200HV A2K	4	
31	595 02 94-01	NUT	M10 ISO4032 A3K	4	

B BG 245 E
HANDLE



Ref	Part No	Description	Remark	QTY	KIT
1	594 25 25-01	WIRE	Blade adjusting cable	1	
2	595 14 09-01	CLAMP		1	
3	595 92 92-01	BRACKET		1	
4	596 86 59-59	PIN	10x95 DIN1434 B ZnB	1	
5	594 25 27-01	SLEEVE		2	
6	594 22 95-01	TRIM		1	
7	595 39 08-01	SPRING		2	
8	594 24 38-01	FORK		1	
9	596 86 57-84	LOCKWASHER		1	
10	596 86 57-32	HANDLE		1	
11	594 24 46-01	CONTROL		1	
12	594 14 06-01	HANDLE		1	
13	594 11 83-01	CAP	M10x14 ISO4017-8.8 A3K	2	
14	594 11 79-01	SCREW	M8x20 ISO4017-8.8 A2K	2	
15	595 05 90-01	SCREW	M4x8 DIN84A 4.8	4	
16	595 11 24-01	NUT	M5 DIN985-8 Zn	2	
17	595 11 25-01	NUT	M8 ISO10511-8 A2K	5	
18	594 11 75-01	SPRING PIN		1	
19	594 25 26-01	LOCKING LEVER		1	
20	594 25 34-01	LOCKWASHER		1	
21	596 86 61-12	CLAMP		1	
22	594 12 38-01	PLANE WASHER	M5 ISO7089 200HV A2K	4	
23	595 11 33-01	WASHER	M10 ISO7089 200HV A2K	4	
24	594 22 30-02	CABLE		1	
25	595 52 00-01	UNIT	Blade adjuster, Complete	1	
27	594 22 33-01	HANDLE		2	
28	595 11 17-01	SCREW	ST4,2x13 DIN7981C 450 HV FZ	2	
30	594 24 91-01	SHAFT		1	
32	595 34 36-01	SPLIT PIN	2.5x22 DIN94 ZnB	2	
33	594 86 78-01	SPRING		1	
34	594 12 19-01	BOLT	M10x80 DIN603-8.8 ZnB	1	
35	596 69 52-46	LOCK NUT	M3 ISO7040-8 FZB	2	
36	594 15 02-01	MAGNET	Magnet	1	
37	594 14 97-01	WASHER		1	
38	594 23 07-02	PLUG		1	
39	594 24 65-01	WIRE HOLDER		1	
40	594 24 57-01	KNOB		1	25
41	595 99 19-01	SCREW	M3x10 ISO1207-4.8 ZnB	2	
42	595 35 03-01	SCREW	M5x40 DIN7500-1 Form C-5.8 ZnB	2	

C BG 245 E
MOTOR

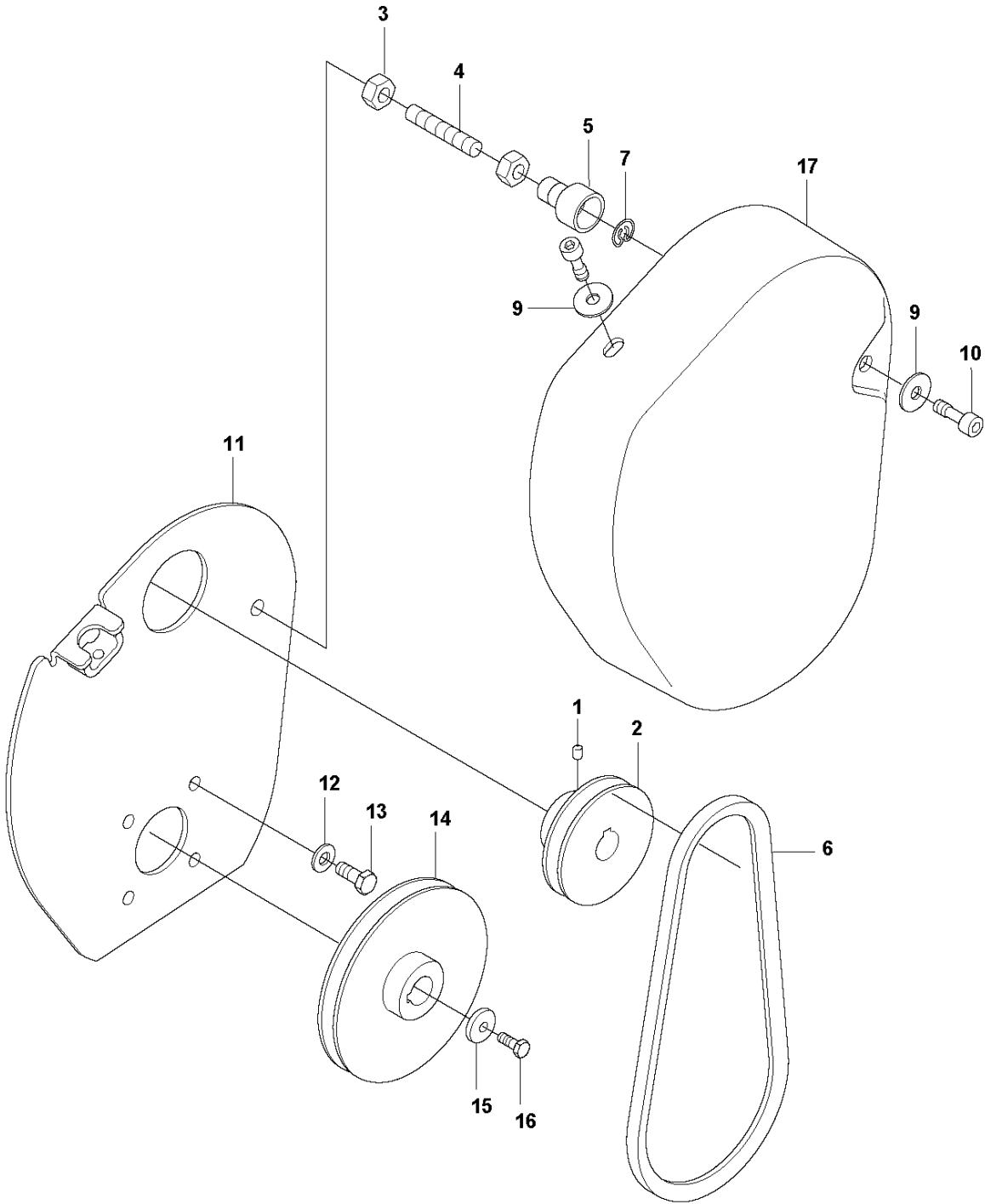


MOTOR

BG 245 E, 967929301, 2020-06

Ref	Part No	Description	Remark	QTY	KIT
1	595 11 36-01	WASHER	M8 DIN 6796 ZnB	4	
2	594 11 79-01	SCREW	M8x20 ISO4017-8.8 A2K	4	
3	594 23 39-01	MOTOR	1.5kW 220V 50Hz	1	
4	594 20 54-01	CAPACITOR	Capacitor, 60µF/450V	1	3
5	594 20 53-01	CAPACITOR	Capacitor, 40µF/450V	1	3
6	596 86 57-14	BRACKET		2	
7	595 34 49-01	BOLT	M10x60 ISO4017-8.8 A3K	1	
8	595 02 94-01	NUT	M10 ISO4032 A3K	1	
9	596 86 57-17	CLEVIS PIN		1	
10	594 11 73-01	SPLIT PIN	3.2x20 ISO1234 FZB	2	

D BG 245 E
TRANSMISSION

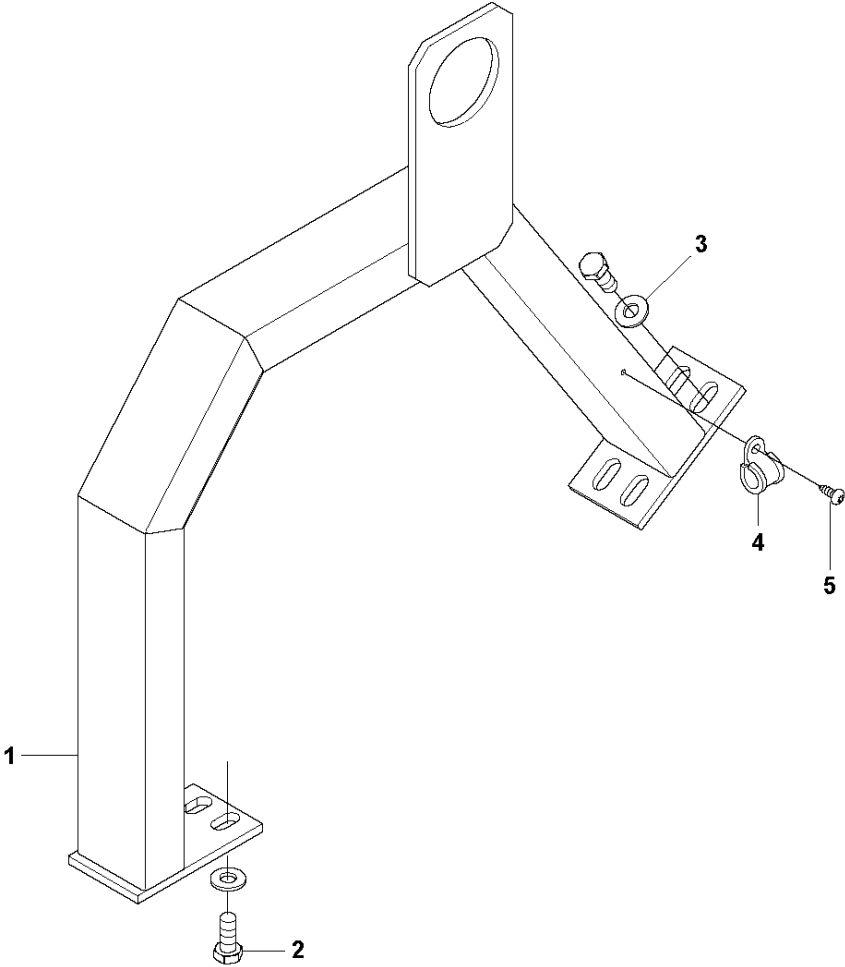


TRANSMISSION

BG 245 E, 967929301, 2020-06

Ref	Part No	Description	Remark	QTY KIT
1	596 86 59-43	SCREW	M6x12 ISO4029 45H	1
2	596 86 57-94	PULLEY		1
3	595 02 94-01	NUT	M10 ISO4032 A3K	2
4	595 21 15-01	STUD	M10x55 DIN 976-8.8 ZnB	1
5	594 64 24-01	HOLDER		1
6	594 23 08-01	V-BELT		1
7	594 65 02-01	LOCKING SPRING		2
9	594 12 37-01	WASHER	M8 DIN9021 (8.4x25x2)FZB	2
10	594 64 25-01	SCREW		2
11	596 86 57-31	HOLDER		1
12	595 11 36-01	WASHER	M8 DIN 6796 ZnB	4
13	594 11 79-01	SCREW	M8x20 ISO4017-8.8 A2K	4
14	594 24 44-01	BELT		2
15	595 11 92-01	WASHER	6.4x22x4	1
16	595 03 32-01	SCREW	M6x16H ISO4017 8.8 A2K	1
17	594 95 92-01	BELT COVER		1

E BG 245 E
LIFTING HOOK

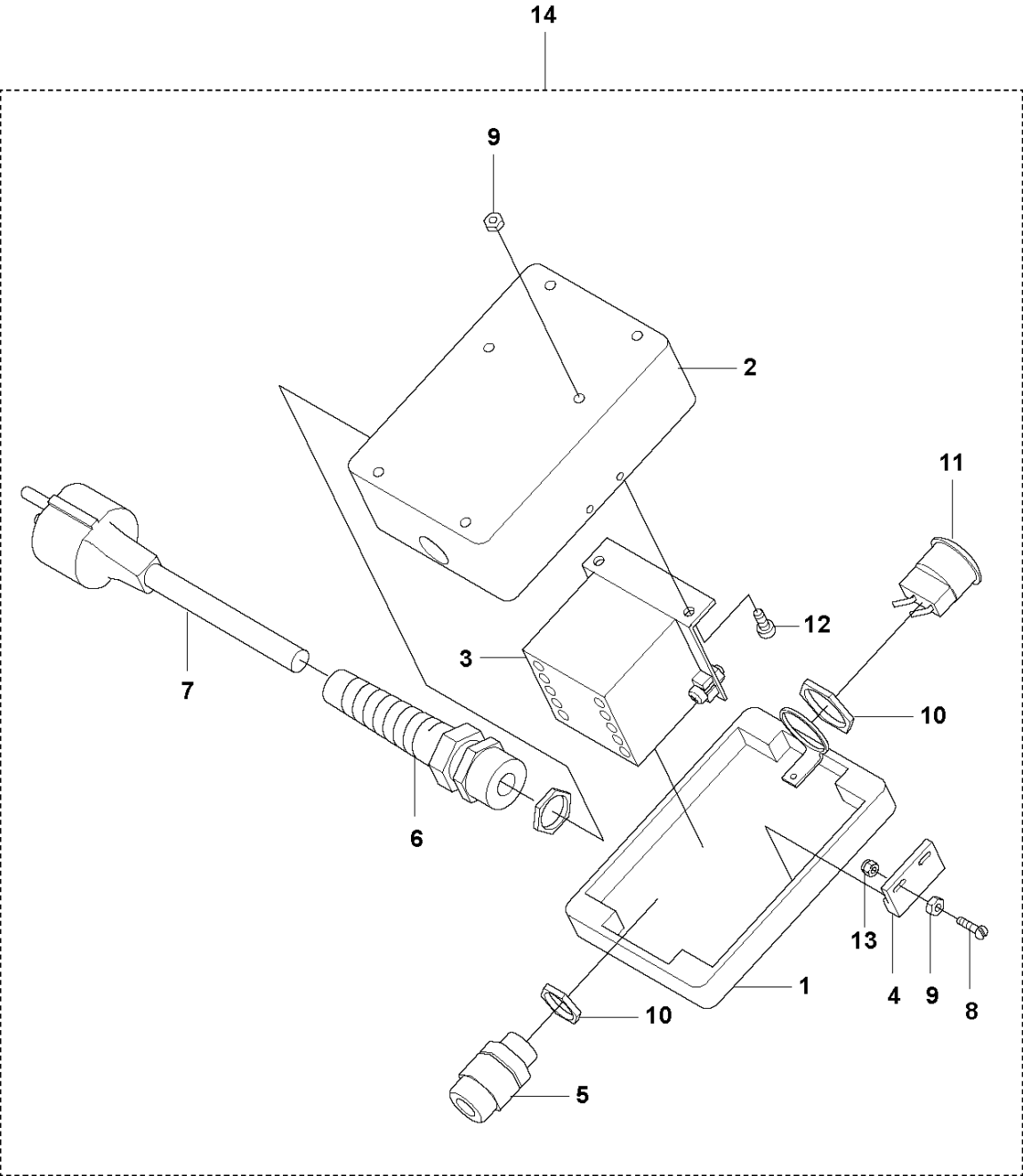


LIFTING HOOK

BG 245 E, 967929301, 2020-06

Ref	Part No	Description	Remark	QTY KIT
1	596 86 57-16	LIFTING HOOK		1
2	594 11 79-01	SCREW	M8x20 ISO4017-8.8 A2K	6
3	595 11 36-01	WASHER	M8 DIN 6796 ZnB	6
4	596 86 61-12	CLAMP		1
5	595 11 17-01	SCREW	ST4,2x13 DIN7981C 450 HV FZ	1

F BG 245 E
ELECTRIC BOX

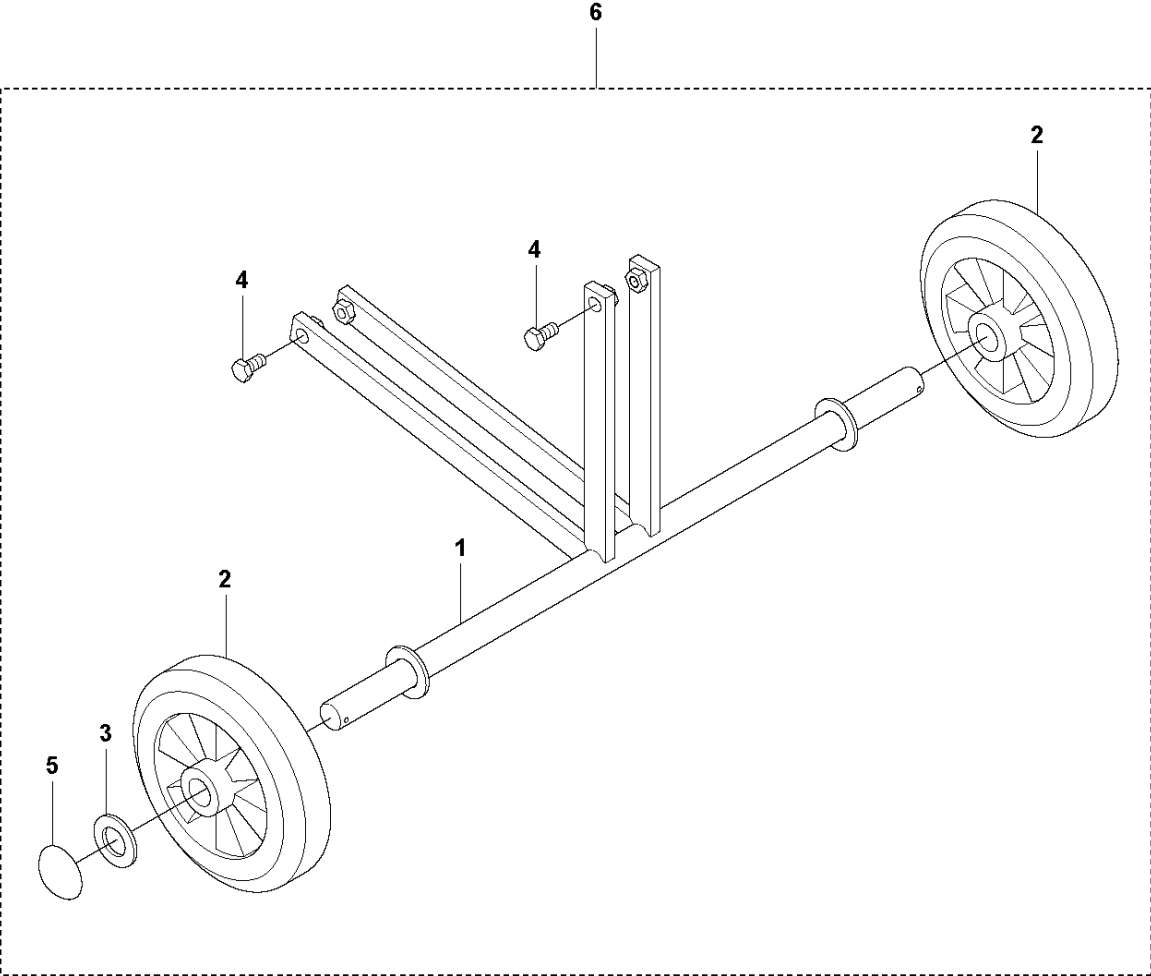


ELECTRIC BOX

BG 245 E, 967929301, 2020-06

Ref	Part No	Description	Remark	QTY	KIT
1	596 86 57-37	LID		1	14
2	594 24 45-01	CONNECTING BOX		1	14
3	594 23 40-01	CONTACTOR		1	14
4	594 23 22-01	SENSOR		1	14
5	596 86 57-90	NUT		1	14
6	596 86 57-85	CABLE SLEEVE		1	14
7	596 86 57-86	HOLDER		1	14
8	596 86 59-41	SCREW		1	14
9	596 69 51-31	HEXAGON NUT		4	14
10	596 86 57-89	NUT		2	14
11	596 86 57-88	PUSH BUTTON		1	14
12	596 86 59-42	SCREW		2	14
13	596 69 52-46	LOCK NUT		2	14
14	594 24 46-01	CONTROL		1	

G BG 245 E
TRANSPORT DEVICE

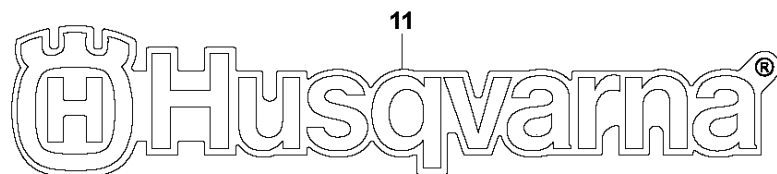
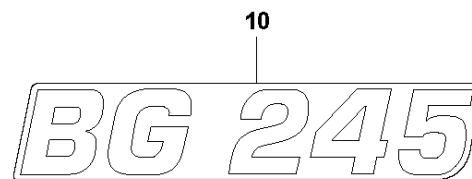
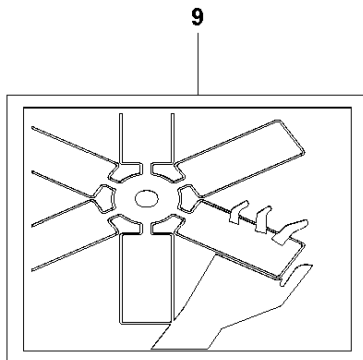
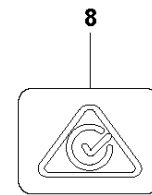
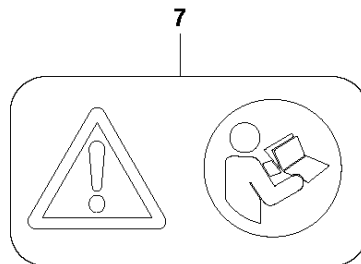
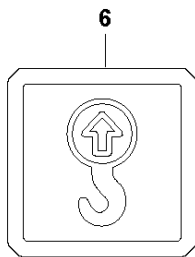
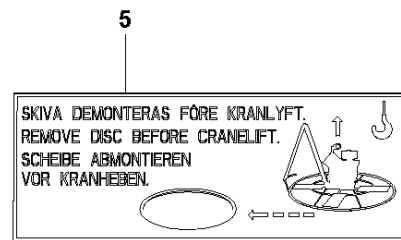
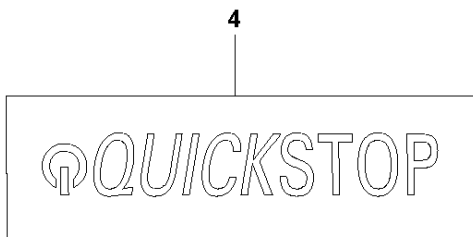
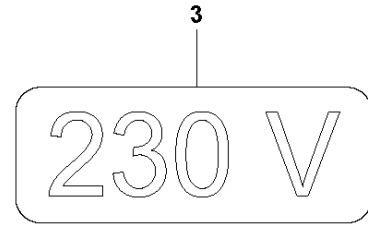
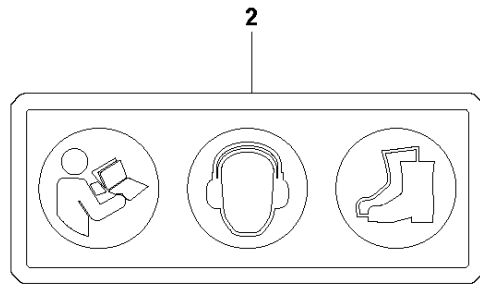
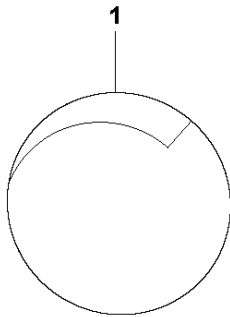


TRANSPORT DEVICE

BG 245 E, 967929301, 2020-06

Ref	Part No	Description	Remark	QTY	KIT
1	595 13 65-01	FRAME		1	6
2	596 86 59-53	WHEEL		2	6
3	596 86 59-57	WASHER	M20 ISO 7090 FZV 200HB	2	6
4	595 11 01-01	SCREW	M8x16 ISO4017 8.8 A2K	4	6
5	594 76 89-01	WASHER		2	6
6	596 19 22-01	TRANSPORT WHEEL	Transport device, complete	1	

H BG 245 E
DECALS

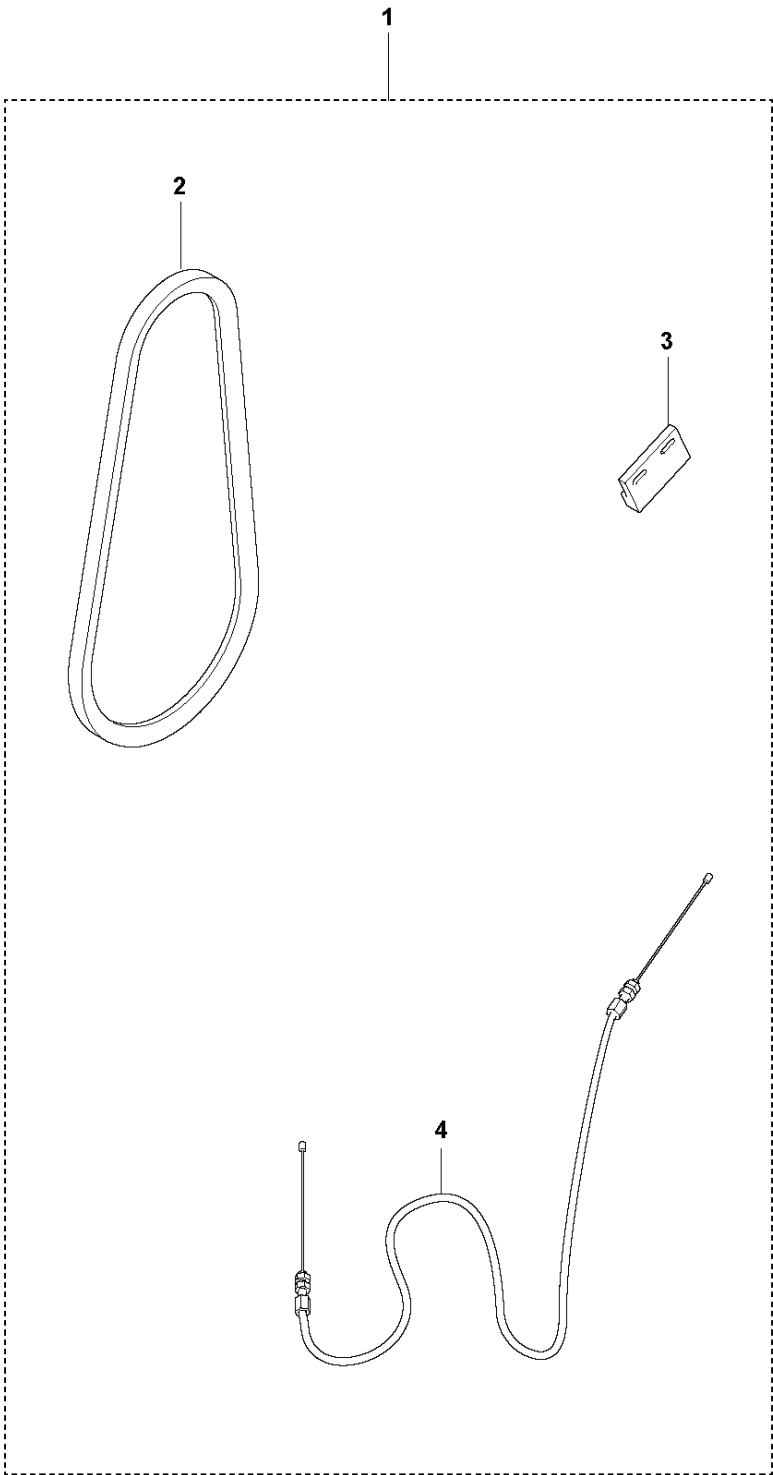


DECALS

BG 245 E, 967929301, 2020-06

Ref	Part No	Description	Remark	QTY KIT
1	594 24 58-01	DECAL	DECAL Blade Angle	1
2	594 65 96-01	LABEL	Safety	1
3	594 77 91-01	LABEL		1
4	595 11 91-01	DECAL		1
5	594 24 59-01	DECAL	Remove Floating Disc	1
6	594 66 09-01	LABEL	Lifting Point	1
7	594 86 97-01	LABEL	Safety, Read instruction	1
8	596 28 02-01	DECAL		1
9	594 16 30-01	DECAL	Cutting Hazard	1
10	595 92 57-01	DECAL	Brand	2
11	577 06 20-01	DECAL	Husqvarna logo	1

J BG 245 E
MAINTENANCE KIT



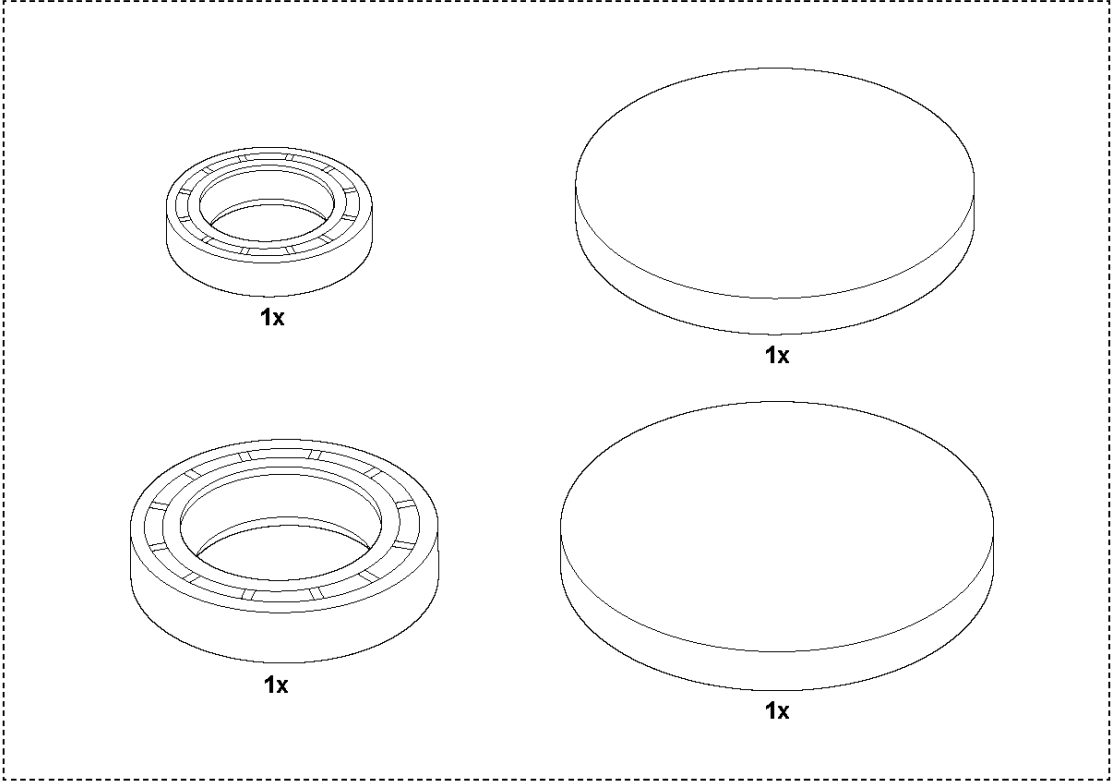
MAINTENANCE KIT

BG 245 E, 967929301, 2020-06

Ref	Part No	Description	Remark	QTY KIT	
1	596 86 57-44	SERVICE KIT		1	
2	594 23 08-01	V-BELT		1	1
3	594 23 22-01	SENSOR		1	1
4	594 25 25-01	WIRE	Blade adjusting cable	1	1

K BG 245 E
GEARBOX SEAL KIT

1



GEARBOX SEAL KIT

BG 245 E, 967929301, 2020-06

Ref	Part No	Description	Remark	QTY KIT
1	594 20 69-01	SEAL	Gearbox seal kit (seals & plugs)	1