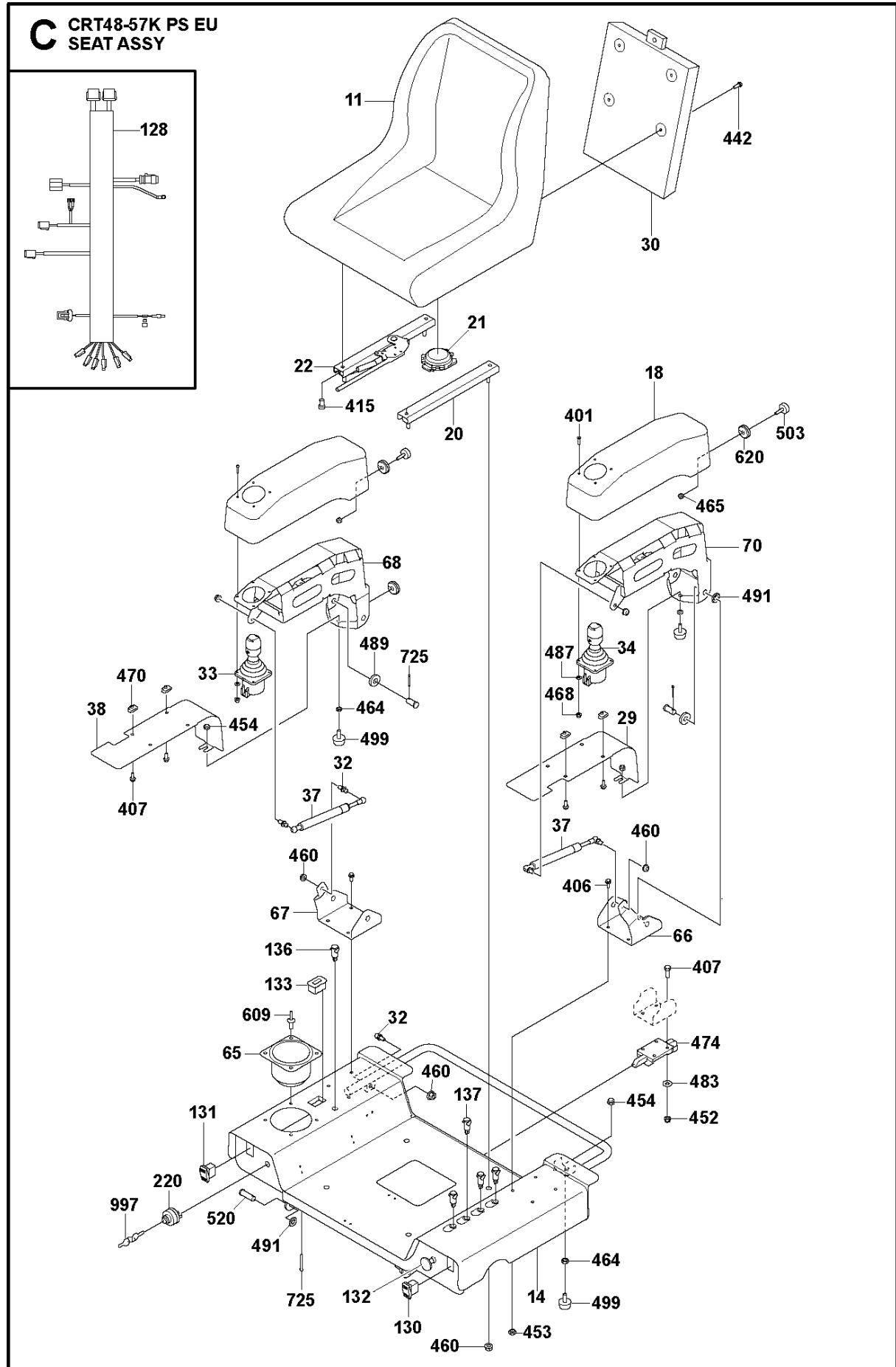




SPARE PARTS LIST

TROWELS

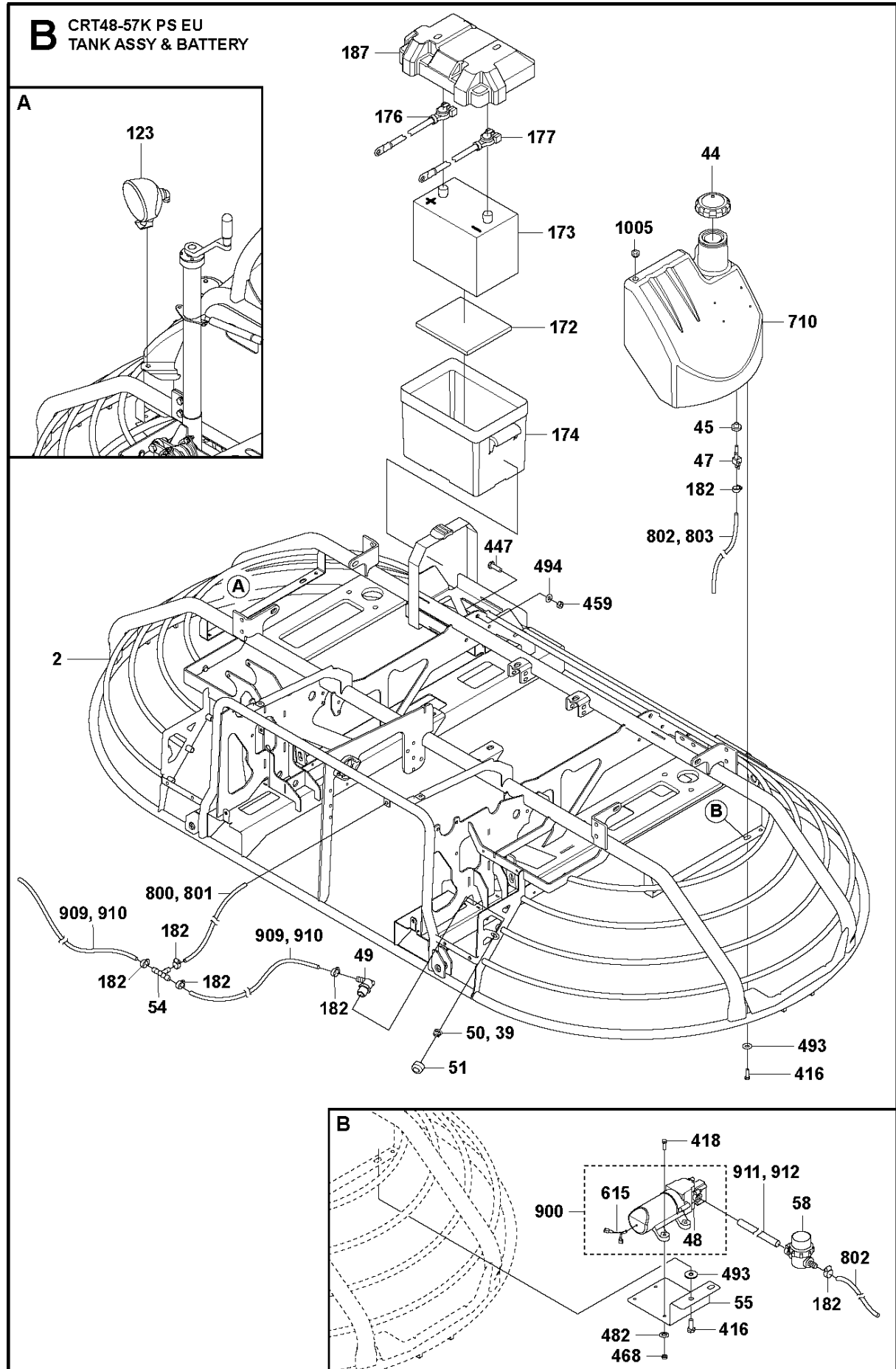
CRT48-57K PS EU, 970461613, 2020-02



SEAT ASSY

CRT48-57K PS EU, 970461613, 2020-02

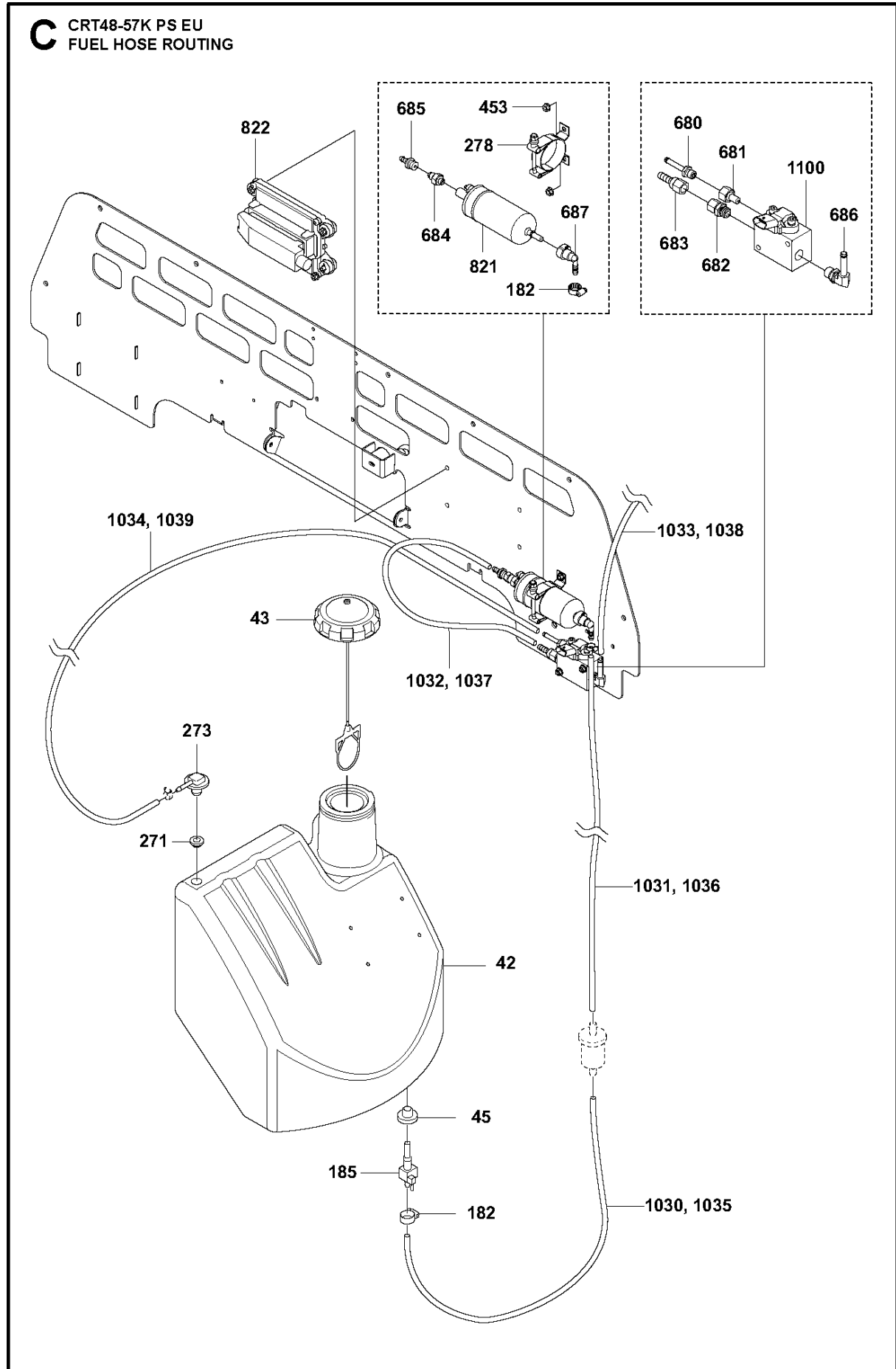
Ref	Part No	Description	Remark	QTY KIT
11	599 10 41-01	SEAT		1
14	599 04 52-01	PLATE		1
18	599 05 17-01	HOUSING		2
20	599 04 09-01	BRACKET		1
21	599 02 69-01	SWITCH	Seat switch	1
22	599 02 64-01	BRACKET		1
29	599 05 32-01	PLATE		1
30	598 98 85-01	HOLDER		1
32	599 16 87-01	STUD	M8x10	5
33	599 03 94-01	JOYSTICK	Dual axis joystick	1
34	599 03 95-01	JOYSTICK	Single axis joystick	1
37	599 01 64-01	SPRING	90 lb	2
38	599 06 11-01	PLATE		1
65	598 99 29-01	INSERT		1
66	599 05 27-01	BRACKET		1
67	599 06 09-01	BRACKET		1
68	599 06 10-01	BRACKET		1
70	599 05 33-01	BRACKET		1
128	599 05 04-01	WIRING		1
130	599 07 08-01	SWITCH	Light switch	1
131	599 01 28-01	SWITCH		1
132	599 04 80-01	PLUG		1
133	598 99 43-01	HOUR METER	Hour meter	1
136	599 12 44-01	LIGHT		1
137	599 04 44-01	LIGHT		4
220	599 00 27-01	SWITCH		1
401	599 17 39-01	SCREW	M4x20	8
406	585 98 06-01	SCREW EHHFM	M6x16 ISO1665 8.8 ZPB, 9Nm/7ft.lbs	8
407	725 23 70-71	SCREW EHHM	M6x16 ISO1665 8.8 ZPB, 9Nm/7ft.lbs	8
415	725 54 49-01	SCREW IHSCM	M8x16 ISO4762 8.8 ZPB, 22Nm/16ft.lbs	4
442	599 16 91-01	SCREW	#10X3/4,TYP B,SLT FLG HX	4
452	531 20 84-91	NUT	M6 ISO10511	4
453	593 35 64-01	NUT	M6	8
454	522 91 94-01	LOCK NUT	M8 ISO10511	4
460	576 64 57-04	NUT FLANGE	M8	9
464	599 16 03-01	NUT	M8 ISO4035	4
465	578 49 66-01	LOCKING NUT	1/4"-20"	2
468	599 15 98-01	LOCK NUT	M4, 3Nm/2ft.lbs (S3)	8
470	599 16 68-01	LOCK NUT	M6	8
474	599 06 20-01	LATCH		1
483	599 16 02-01	WASHER		4
487	734 11 36-01	WASHER		8
489	599 16 07-01	WASHER	M12 ISO7093 ZPB	4
491	734 11 78-01	WASHER	M12 ISO7089 200HV ZPB	6
499	598 98 97-01	BUMPER	30x15	4
503	599 05 31-01	BUMPER		2
520	599 17 33-01	PIN	Clevis pin 1/2"x1"	6
609	599 16 79-01	RIVET	Rivet	4
620	599 05 45-01	GROMMET		2
725	599 16 01-01	PIN	Cotter pin 3,2x25 ISO1234	6
997	599 16 42-01	KEY	Key-ring w/o keys	1



TANK ASSY & BATTERY

CRT48-57K PS EU, 970461613, 2020-02

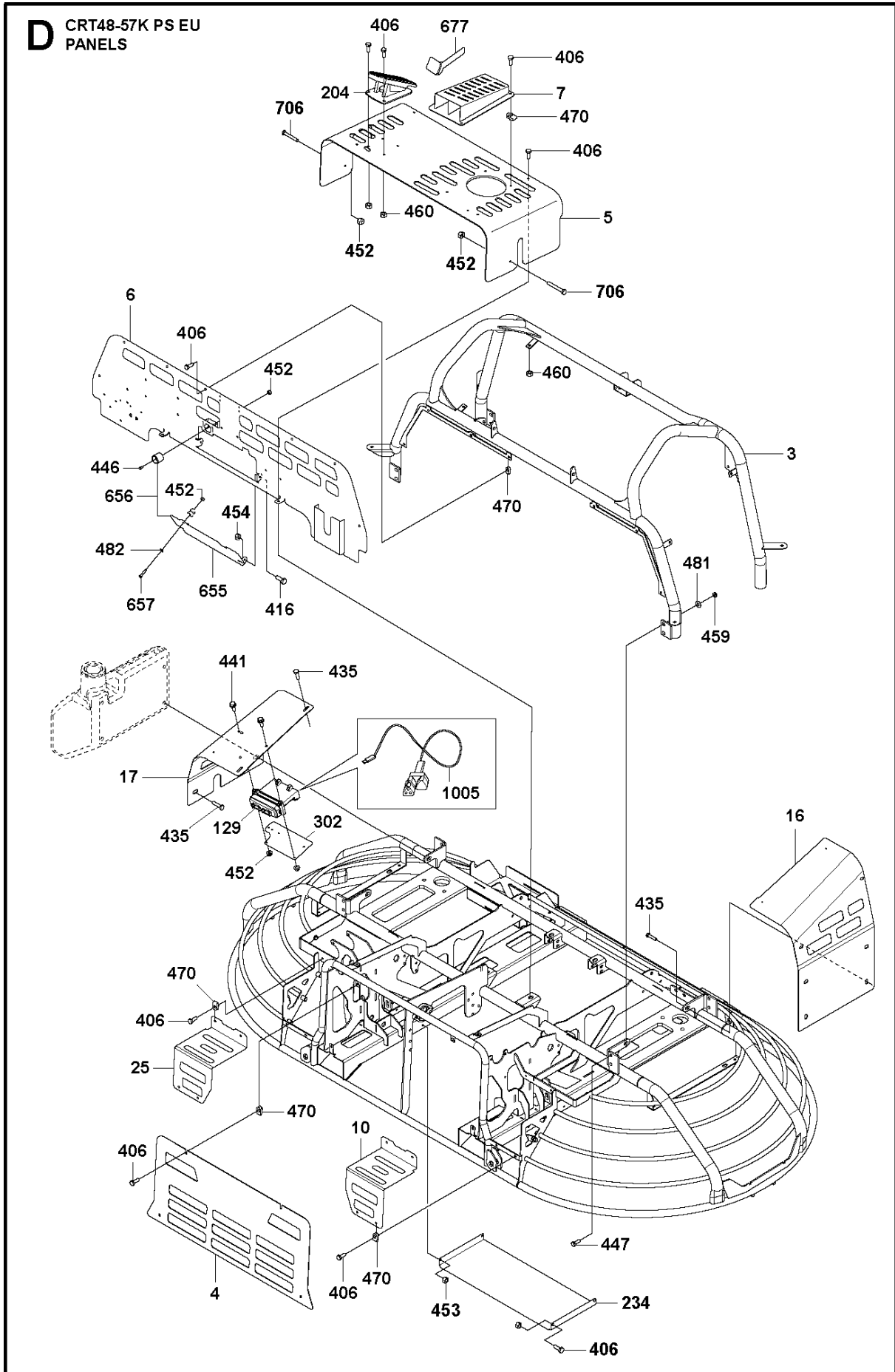
Ref	Part No	Description	Remark	QTY	KIT
2	599 01 92-01	FRAME		1	
39	598 99 88-01	VALVE		1	
44	599 03 02-01	CAP		1	
45	598 99 04-01	BUSHING		2	
47	599 06 17-01	VALVE		1	
48	599 06 16-01	PUMP		1	900
49	598 99 39-01	ELBOW		2	
50	598 99 40-01	JET		2	
51	598 99 41-01	FITTING		2	
54	599 16 90-01	FITTING		1	
55	599 06 15-01	BRACKET		1	
58	599 06 18-01	SCREEN		1	
123	599 07 69-01	LIGHT		4	
173	599 04 95-01	BATTERY		1	
172	598 98 80-01	PAD		1	
174	598 99 99-01	BOX		1	
176	599 03 61-01	CABLE	40"	1	
177	599 03 62-01	CABLE	16"	1	
182	599 16 17-01	CLAMP	0,21"-0,63"	12	
187	599 00 33-01	CAP		1	
416	725 24 51-01	SCREW	8x20 hx.hd. 24Nm/18ft.lbs	3	
418	725 22 95-71	SCREW EHHM	M4x20, 3Nm/2ft.lbs	4	
447	725 24 95-71	SCREW EHHM	M10x30 ISO4017 8.8 ZPB, 49Nm/36ft.lbs	1	
459	576 64 57-05	NUT FLANGE	M10 ISO7042	1	
468	599 15 98-01	LOCK NUT	M4, 3Nm/2ft.lbs (S3)	4	
482	734 11 46-01	WASHER	M5 ISO7089 200HV ZPB	4	
493	734 11 65-41	WASHER	M8 ISO7093 ZPB	3	
494	599 16 75-01	LOCKWASHER	M10	1	
615	599 16 65-01	TERMINAL		2	900
710	599 13 12-02	TANK		1	
800	599 46 55-04	HOSE	70"	1	
801	599 46 56-06	LOOM	68"	1	
802	599 46 55-01	HOSE	3,5"	1	
803	599 46 56-03	LOOM	30"	1	
900	599 46 31-01	WATER PUMP KIT	Water pump kit	1	
909	599 46 55-03	HOSE	24,5"	2	
910	599 46 56-02	LOOM	23,5"	2	
911	599 46 55-02	HOSE	5"	1	
912	599 46 56-01	LOOM	3"	1	
1005	599 07 10-01	PLUG		1	



FUEL HOSE ROUTING

CRT48-57K PS EU, 970461613, 2020-02

Ref	Part No	Description	Remark	QTY KIT
42	599 13 13-02	TANK		1
43	599 07 33-01	CAP		1
45	598 99 04-01	BUSHING		1
182	599 16 17-01	CLAMP	0,21"-0,63"	4
185	599 11 78-01	VALVE		1
271	599 06 88-01	GROMMET		1
273	599 07 12-01	FITTING		1
278	599 07 27-01	BRACKET		1
453	593 35 64-01	NUT	M6	2
680	599 07 26-01	FITTING	SAE#4 MORB MALE to 1/4" BARB	1
681	599 07 28-01	ADAPTER	SAE#4 FEMALE to SAE#3 MORB MALE	1
682	599 07 29-01	ADAPTER	SAE#6 MORB MALE to SAE#5 MALE	1
683	599 07 30-01	FITTING	SAE#5 FEMALE to 5/16" BARB	1
684	599 07 31-01	ADAPTER	M10 MALE to SAE#4 MALE	1
685	599 07 32-01	FITTING	#4 FEMALE to 1/4" BARB"	1
686	599 07 34-01	FITTING	SAE#6 MALE to 90DEG,5/16" BARB	1
687	598 98 58-01	FITTING	90QC 5/16"-5/16"	1
821	599 48 00-01	FUEL PUMP		1
822	599 48 01-01	MODULE		1
1030	599 48 10-01	FUEL HOSE	5/16"x12"	1
1035	599 48 17-01	WIRE	10"	1
1031	599 48 10-02	FUEL HOSE	5/16"x16"	1
1036	599 48 17-02	WIRE	14"	1
1032	599 48 10-03	FUEL HOSE	5/16"x21"	1
1037	599 48 17-03	WIRE	19"	1
1033	599 48 10-04	FUEL HOSE	5/16"x48"	1
1038	599 48 17-04	WIRE	46"	1
1034	599 48 12-02	FUEL HOSE	1/4"x60"	1
1039	599 48 17-05	WIRE	58"	1
1100	599 48 08-01	MANIFOLD		1

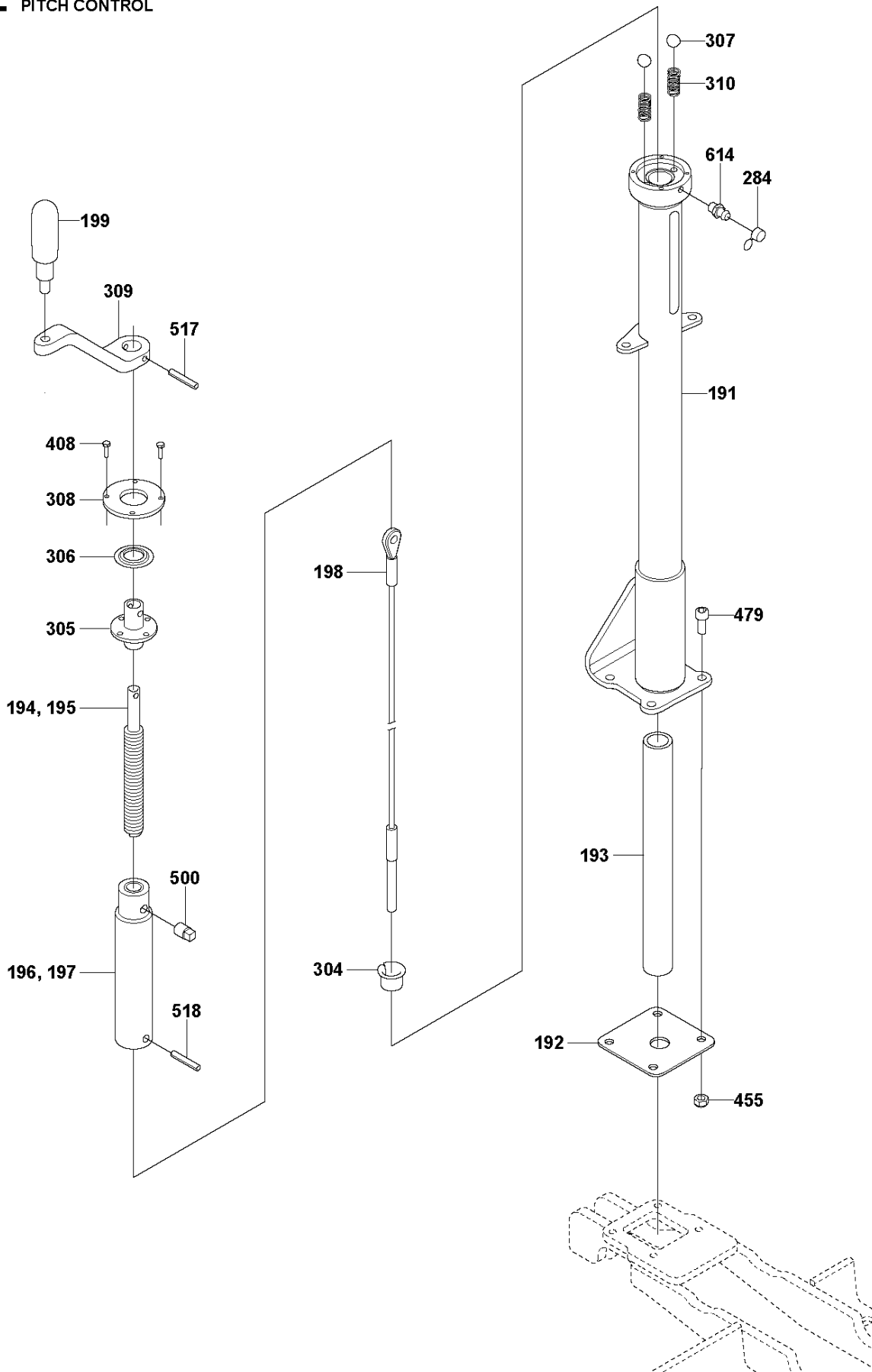


PANELS

CRT48-57K PS EU, 970461613, 2020-02

Ref	Part No	Description	Remark	QTY KIT
3	599 12 25-01	FRAME		1
4	599 13 01-02	PLATE		1
5	599 12 38-01	PLATE		1
6	599 13 07-02	PANEL ASSY		1
7	599 05 41-01	BRACKET		1
10	599 02 18-01	PLATE		1
16	599 12 23-01	PANEL		1
17	599 12 21-01	PANEL		1
25	599 03 33-01	PLATE		1
129	599 05 05-01	ELECTRICAL SYSTEM		1
204	599 12 37-01	CONTROL		1
234	599 03 23-01	GUARD		1
302	599 12 06-01	PLATE		1
406	585 98 06-01	SCREW EHHFM	M6x16 ISO1665 8.8 ZPB, 9Nm/7ft.lbs	32
416	725 24 51-01	SCREW	8x20 hx.hd. 24Nm/18ft.lbs	2
435	506 57 01-03	SCREW EHHFM	M8x16 ISO1665 8.8 ZPB, 25Nm/18ft.lbs	10
441	599 16 37-01	SCREW	M6x60	2
446	725 23 27-71	SCREW EHHM	M5x12 ISO4017 8.8 ZPB, 6Nm/4ft.lbs	1
447	725 24 95-71	SCREW EHHM	49Nm/36ft.lbs	8
452	531 20 84-91	NUT	M6 (DIN 985)	6
453	593 35 64-01	NUT	M6	6
454	522 91 94-01	LOCK NUT	M8 (DIN 985)	2
459	576 64 57-05	NUT FLANGE	M10 ISO7042	8
460	576 64 57-04	NUT FLANGE	M8	4
470	599 16 68-01	LOCK NUT	M6	13
481	734 11 72-01	WASHER	M10 ISO7089 200HV ZPB	8
482	734 11 46-01	WASHER	M5 ISO7089 200HV ZPB	1
655	599 13 11-02	COVER		1
656	599 07 06-01	LATCH		1
657	593 16 74-01	SCREW	M5x25 ISO4017 8.8 ZPB, 6Nm/4ft.lbs	1
677	599 12 47-01	GUARD		1
706	725 23 80-51	SCREW EHHM	M6x50 ISO4014 8.8 ZPB	2
1005	599 52 87-01	CABLE	Diagnostic cable	1

E CRT48-57K PS EU
PITCH CONTROL

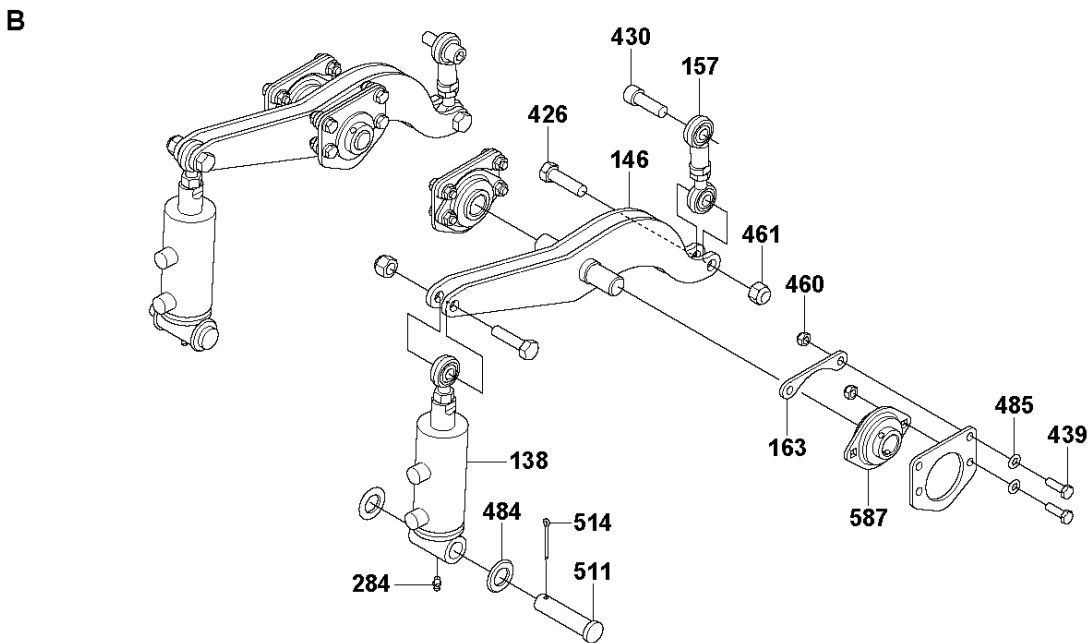
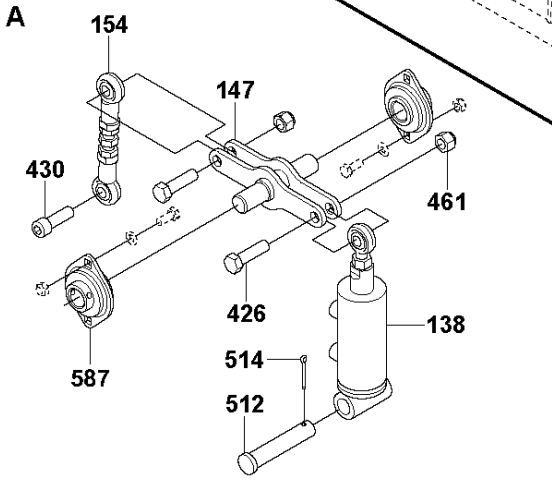
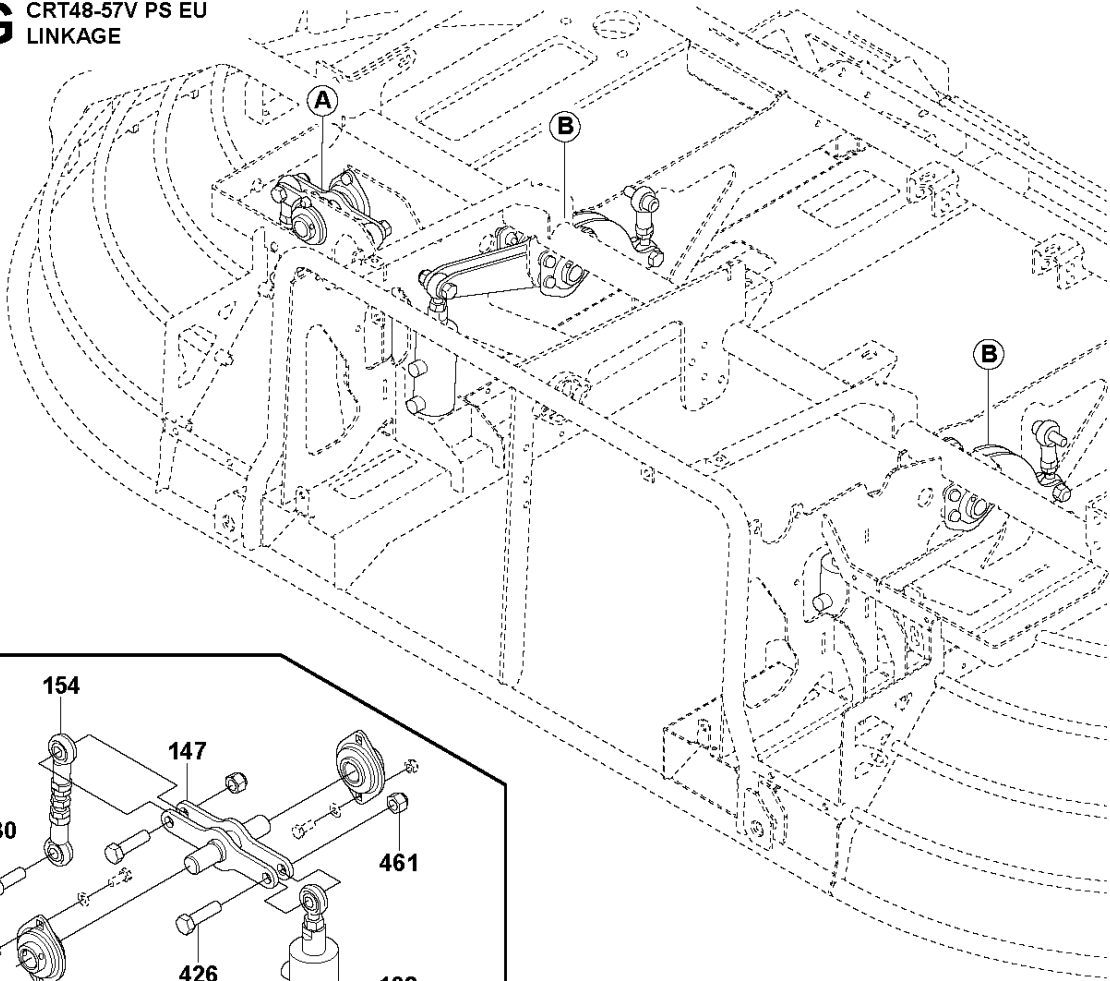


PITCH CONTROL

CRT48-57K PS EU, 970461613, 2020-02

Ref	Part No	Description	Remark	QTY KIT
191	599 00 42-01	TUBE		1
192	599 06 24-01	PLATE		1
193	599 06 25-01	TUBE		1
194	599 16 94-01	ROD	Right hand thread	1
195	599 16 95-01	ROD	Left hand thread	1
196	599 00 46-01	TUBE	Right hand thread	1
197	599 00 47-01	TUBE	Left hand thread	1
198	599 00 48-01	CABLE	Pitch cable	1
199	599 00 51-01	HANDLE	Handle, 24Nm/18ft.lbs	1
284	599 16 92-01	CAP	Cap	1
304	599 00 43-01	BUSHING		1
305	599 00 44-01	HUB		1
306	599 16 93-01	RING	Nilos ring	1
307	599 16 96-01	BALL		2
308	599 00 49-01	PLATE		1
309	599 04 74-01	CRANK		1
310	599 00 41-01	SPRING		2
408	599 16 82-01	SCREW	M4x14 ISO4017 8.8 ZPB, 3Nm/2ft.lbs	4
455	596 04 03-01	LOCK NUT	5/16"-24"	1
479	725 54 51-01	SCREW IHSCM	M8x20 ISO4762 8.8 ZPB, 22Nm/16ft.lbs	4
500	599 17 31-01	PIPE	Pipe plug 1/8" sq.hd. Plated	1
517	599 16 33-01	PIN	1/4"x1-1/2"	1
518	599 16 00-01	PIN	Roll pin 8x36 ISO8752	1
614	599 17 66-01	FITTING	Grease fitting AM6 DIN71412	1

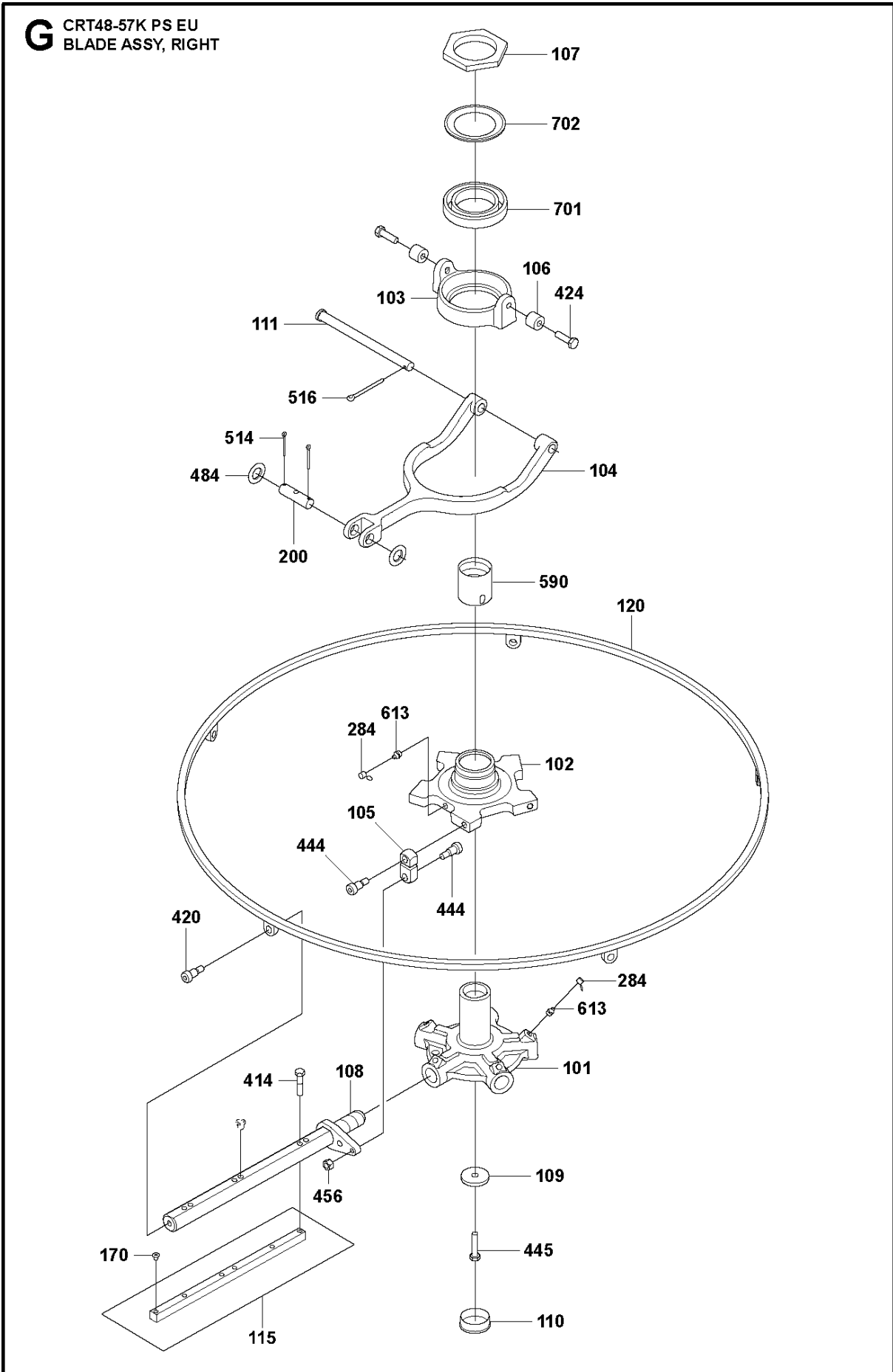
G CRT48-57V PS EU
LINKAGE



LINKAGE

CRT48-57K PS EU, 970461613, 2020-02

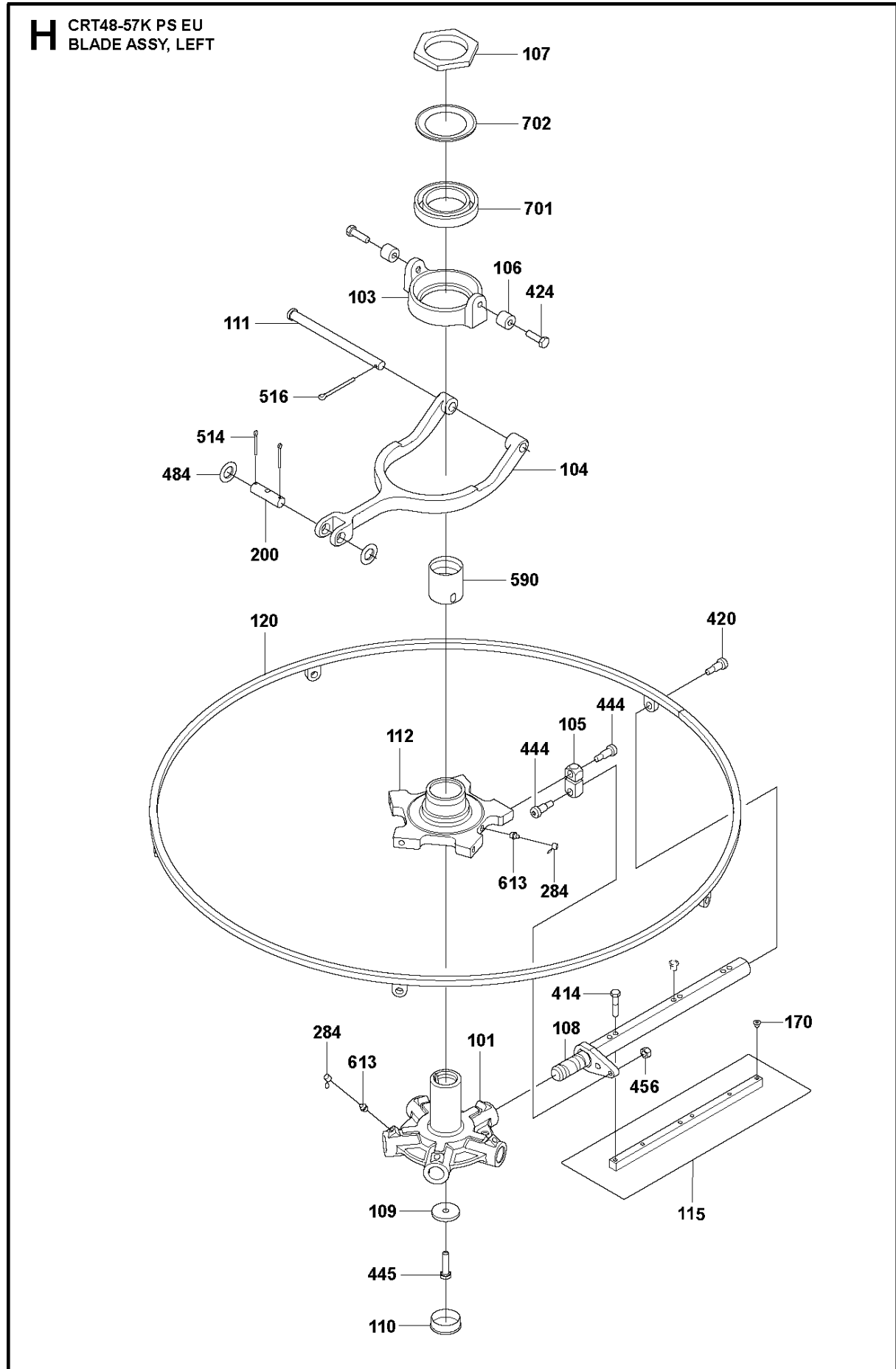
Ref	Part No	Description	Remark	QTY KIT
138	599 05 06-01	ACTUATOR		3
146	599 05 24-01	BRACKET		2
147	599 05 10-01	BRACKET		1
154	599 01 60-01	LINK		1
157	599 03 84-01	LINK		2
163	599 05 48-01	SPACER		4
284	599 16 92-01	CAP		3
426	599 17 25-01	SCREW	1/2"-20x1-3/4" HX. HD., 85Nm/63ft.lbs	6
430	587 42 88-01	BOLT	1/2"-20x1-1/2" SOC. HD., 85Nm/63ft.lbs	3
439	725 24 53-76	SCREW EHHM	M8x25 ISO4017 10.9 ZPB, 35Nm/26ft.lbs	16
460	576 64 57-04	NUT FLANGE	M8	16
461	587 65 39-03	NUT	1/2"-20"	4
484	542 17 30-35	WASHER	M20 ISO7089 200HV ZPB	4
485	734 11 63-01	WASHER	M8 ISO7089 200HV ZPB	16
511	599 17 40-01	PIN	Clevis pin 3/4"x3"	2
512	599 17 41-01	PIN	Clevis pin 3/4"x3-3/4"	1
514	599 16 49-01	PIN	Cotter pin 1/8"x 1-1/2"	3
587	598 99 69-01	BEARING	0,875"	6



BLADE ASSY, RIGHT

CRT48-57K PS EU, 970461613, 2020-02

Ref	Part No	Description	Remark	QTY KIT
101	599 07 49-01	HUB		1
102	599 00 10-01	RING	Blade lifting ring, right	1
103	598 99 94-01	HOLDER		1
104	598 99 90-01	YOKE		1
105	598 99 33-01	LINK		5
106	598 99 34-01	TUBE		2
107	598 99 87-01	CAP	24Nm/18ft.lbs (S1)	1
108	599 10 77-01	SHAFT		5
109	599 16 60-01	WASHER		1
110	598 99 58-01	PLUG		1
111	599 16 78-01	SHAFT		1
115	598 92 98-01	BLADE SET	Finishing blades 48", set of 4 pcs.	2
120	599 01 32-01	RING		1
170	599 16 34-01	PLUG		5
200	598 99 35-01	MOUNT		1
284	599 16 92-01	CAP	Cap	7
414	599 16 71-01	SCREW	5/16"-18 X 1-5/8" HHCS GR5, 24Nm/18ft.lbs	15
420	599 16 30-01	SCREW	1/2" x 1/2" shoulder, 24Nm/18ft.lb	5
424	725 24 97-51	SCREW	M10x35 ISO4017 8.8 ZPB, 49, Nm/36ft.lbs	2
444	599 16 50-01	SCREW	1/2"x3/4"x1-3/8" shoulder, 24Nm/18ft.lb	10
445	725 25 00-51	SCREW EHHM	M10 x 45, 49Nm/36ft.lbs (DIN931 S3)	1
456	596 04 02-01	HEXAGON NUT		4
484	542 17 30-35	WASHER	M20 ISO7089 200HV ZPB	2
514	599 16 49-01	PIN	Cotter pin 1/8"x 1-1/2"	2
516	599 16 51-01	PIN	Cotter pin 3/16"x2"	1
590	598 99 91-01	BUSHING		1
613	599 16 21-01	FITTING	Grease fitting AM10 DIN71412	7
701	598 43 19-01	BALL BEARING	6014 2RS1 C3	1
702	599 16 72-01	RING	Nilos ring 6014 ZAV	1



BLADE ASSY, LEFT

CRT48-57K PS EU, 970461613, 2020-02

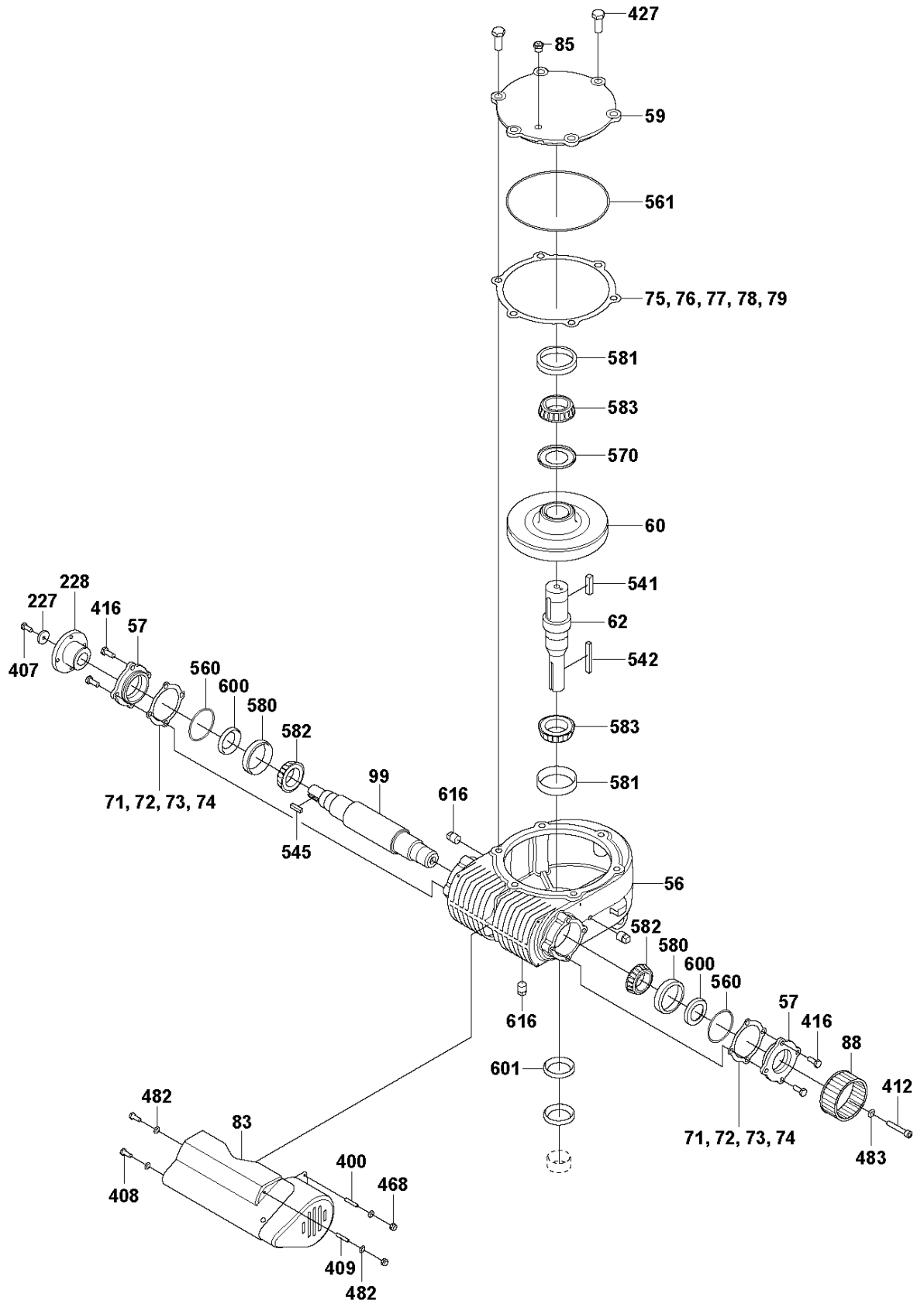
Ref	Part No	Description	Remark	QTY KIT
101	599 07 49-01	HUB		1
103	598 99 94-01	HOLDER		1
104	598 99 90-01	YOKE		1
105	598 99 33-01	LINK		5
106	598 99 34-01	TUBE		2
107	598 99 87-01	CAP	24Nm/18ft.lbs (S1)	1
108	599 10 77-01	SHAFT		5
109	599 16 60-01	WASHER		1
110	598 99 58-01	PLUG		1
111	599 16 78-01	SHAFT		1
112	599 00 11-01	RING	Blade lifting ring, left	1
115	598 92 98-01	BLADE SET	"Finishing blades 48"" , set of 4 pcs."	2
120	599 01 32-01	RING		1
170	599 16 34-01	PLUG		5
200	598 99 35-01	MOUNT		1
284	599 16 92-01	CAP	Cap	7
414	599 16 71-01	SCREW	5/16"-18x1-5/8" HHCS GR5, 24Nm/18ft.lbs	15
420	599 16 30-01	SCREW	1/2"x1/2" shoulder, 24Nm/18ft.lb	5
424	725 24 97-51	SCREW	M10x35 ISO4017 8.8 ZPB, 49, Nm/36ft.lbs	2
444	599 16 50-01	SCREW	1/2"x3/4""x1-3/8" shoulder, 24Nm/18ft.lb	10
445	725 25 00-51	SCREW EHHM	M10 x 45, 49Nm/36ft.lbs (DIN931 S3)	1
456	596 04 02-01	HEXAGON NUT		4
484	542 17 30-35	WASHER	M20 ISO7089 200HV ZPB	2
514	599 16 49-01	PIN	Cotter pin 1/8"x 1-1/2"	2
516	599 16 51-01	PIN	Cotter pin 3/16"x2"	1
590	598 99 91-01	BUSHING		1
613	599 16 21-01	FITTING	Grease fitting AM10 DIN71412	7
701	598 43 19-01	BALL BEARING	6014 2RS1 C3	1
702	599 16 72-01	RING	Nilos ring 6014 ZAV	1

GEARBOX, RIGHT

CRT48-57K PS EU, 970461613, 2020-02

Ref	Part No	Description	Remark	QTY KIT
56	598 99 21-01	GEARBOX		1
57	598 99 22-01	COVER		2
59	598 99 15-01	COVER		1
61	598 99 16-01	GEAR	Wormgear, right hand	1
62	598 99 92-01	SHAFT		1
71	599 01 71-01	SHIM	0,007"	1
72	599 01 72-01	SHIM	0,009"	1
73	599 01 73-01	SHIM	0,012"	2
74	599 01 74-01	SHIM	0,022"	1
75	599 01 65-01	SHIM	0,007"	1
76	599 01 66-01	SHIM	0,009"	1
77	599 01 67-01	SHIM	0,012"	1
78	599 01 68-01	SHIM	0,022"	2
79	599 01 69-01	SHIM	0,032"	2
82	598 99 27-01	COVER		1
85	599 17 05-01	VALVE		1
87	598 99 25-01	FAN		1
100	598 99 51-01	WORM GEAR		1
227	599 16 58-01	WASHER	1-1/8"x0,281"x0,187"	1
228	599 12 54-01	FITTING		1
400	599 16 74-01	STUD	M4x20 DIN976	2
407	725 23 70-71	SCREW EHHM	M6x20 ISO4017 8.8 ZPB, 10Nm/7ft.lbs	1
408	599 16 82-01	SCREW	M4x14 ISO4017 8.8 ZPB, 3Nm/2ft.lbs	2
409	599 16 81-01	STUD	M4x25 DIN976	2
412	725 53 78-01	SCREW IHSCM	M6x40 ISO4762 8.8 ZPB	1
416	725 24 51-01	SCREW	8x20 hx.hd. 24Nm/18ft.lbs	8
427	598 74 98-01	SCREW	M12 x 35, 85Nm/63ft.lbs (DIN933 S3)	2
468	599 15 98-01	LOCK NUT	M4, 3Nm/2ft.lbs (S3)	2
482	734 11 46-01	WASHER	M5 ISO7089 200HV ZPB	4
483	599 16 02-01	WASHER		1
541	599 16 48-01	KEY	Square key 3/8"x1-1/2" 4140 320BHN	1
542	599 16 76-01	KEY	Square key 3/8"x4"	1
545	599 16 15-01	KEY	Square key 1/4"x1"	1
560	598 99 23-01	O-RING	2-3/8"x3/32 NBR 70 Shore	2
561	598 99 24-01	O-RING	7-1/4"x1/8" NBR 70 Shore	1
570	599 16 45-01	SEAL	2,78 x 1,625	1
580	599 16 46-01	BEARING		2
581	599 16 47-01	BEARING		2
582	598 99 47-01	BEARING		2
583	599 16 56-01	BEARING		2
600	599 04 75-01	SEAL	1,313x2,066x0,31	2
601	599 04 76-01	SEAL	1,625x2,252x0,31	2
616	599 17 10-01	PLUG	3/8in NPTF (S8)	3

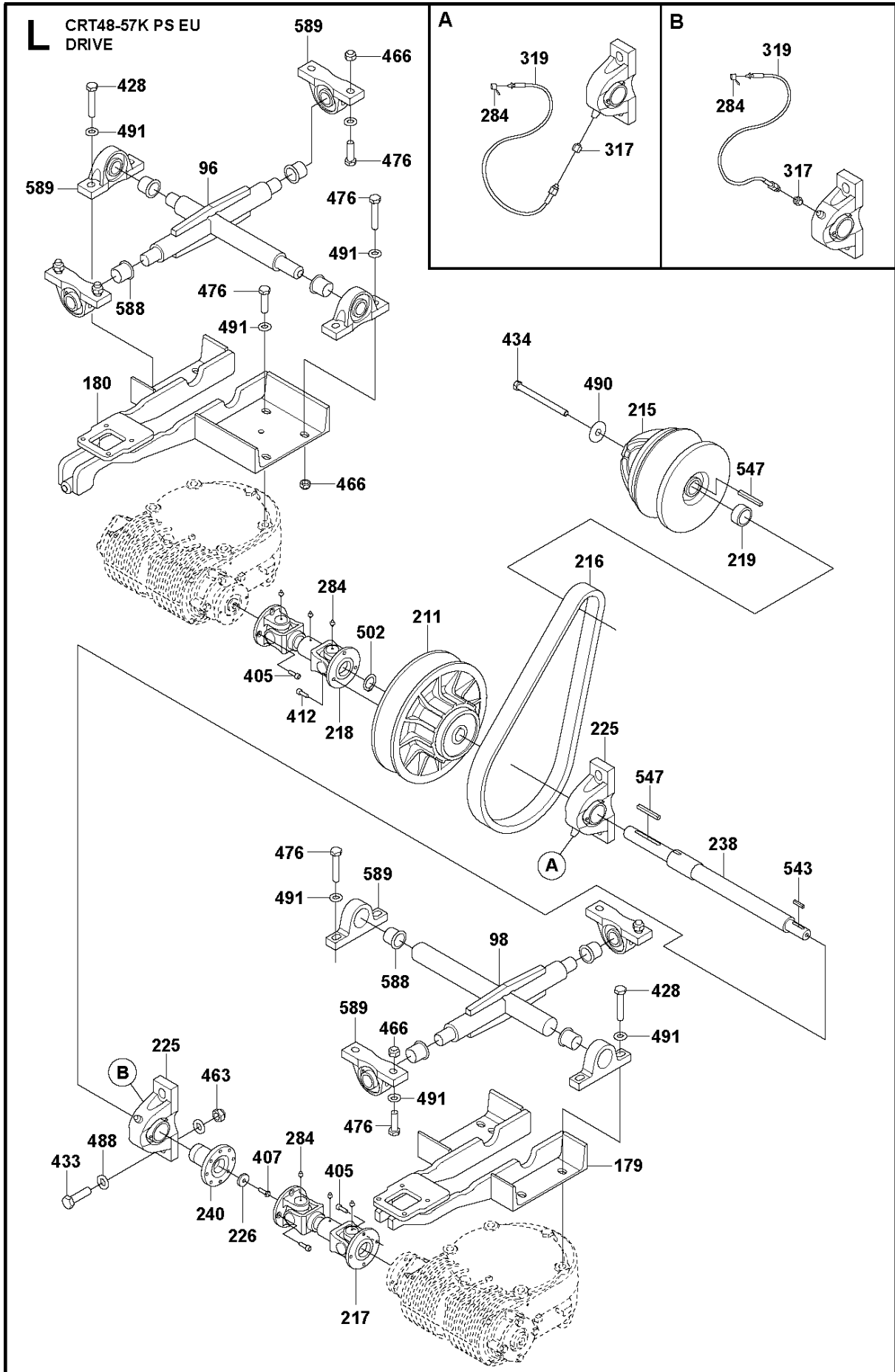
K CRT48-57K PS EU
GEARBOX, LEFT



GEARBOX, LEFT

CRT48-57K PS EU, 970461613, 2020-02

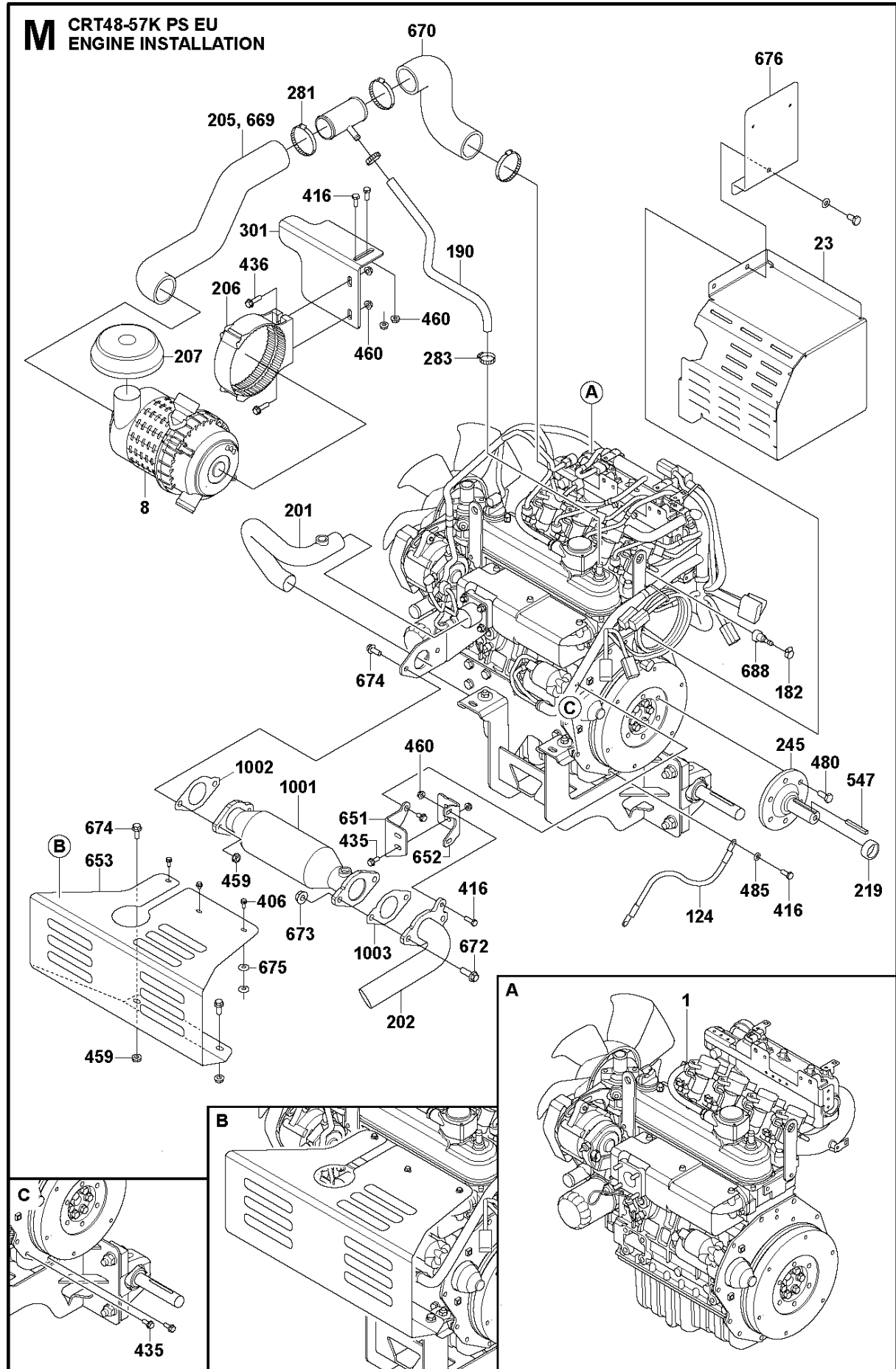
Ref	Part No	Description	Remark	QTY KIT
56	598 99 21-01	GEARBOX		1
57	598 99 22-01	COVER		2
59	598 99 15-01	COVER		1
60	598 99 18-01	GEAR	Wormgear, left hand	1
62	598 99 92-01	SHAFT		1
71	599 01 71-01	SHIM	0,007"	1
72	599 01 72-01	SHIM	0,009"	1
73	599 01 73-01	SHIM	0,012"	2
74	599 01 74-01	SHIM	0,022"	1
75	599 01 65-01	SHIM	0,007"	1
76	599 01 66-01	SHIM	0,009"	1
77	599 01 67-01	SHIM	0,012"	1
78	599 01 68-01	SHIM	0,022"	2
79	599 01 69-01	SHIM	0,032"	2
83	598 99 30-01	COVER		1
85	599 17 05-01	VALVE		1
88	598 99 26-01	FAN		1
99	598 99 50-01	WORM GEAR		1
227	599 16 58-01	WASHER	1-1/8"x0,281"x0,187"	1
228	599 12 54-01	FITTING		1
400	599 16 74-01	STUD	M4x20 DIN976	2
407	725 23 70-71	SCREW EHHM	M6x20 ISO4017 8.8 ZPB, 10Nm/7ft.lbs	1
408	599 16 82-01	SCREW	M4x14 ISO4017 8.8 ZPB, 3Nm/2ft.lbs	2
409	599 16 81-01	STUD	M4x25 DIN976	2
412	725 53 78-01	SCREW IHSCM	M6x40 ISO4762 8.8 ZPB	1
416	725 24 51-01	SCREW	8x20 hx.hd. 24Nm/18ft.lbs	8
427	598 74 98-01	SCREW	M12 x 35, 85Nm/63ft.lbs (DIN933 S3)	2
468	599 15 98-01	LOCK NUT	M4, 3Nm/2ft.lbs (S3)	2
482	734 11 46-01	WASHER	M5 ISO7089 200HV ZPB	4
483	599 16 02-01	WASHER		1
541	599 16 48-01	KEY	Square key 3/8"x1-1/2" 4140 320BHN	1
542	599 16 76-01	KEY	Square key 3/8"x4"	1
545	599 16 15-01	KEY	Square key 1/4"x1"	1
560	598 99 23-01	O-RING	2-3/8"x3/32 NBR 70 Shore"	2
561	598 99 24-01	O-RING	7-1/4"x1/8" NBR 70 Shore"	1
570	599 16 45-01	SEAL	2,78x1,625	1
580	599 16 46-01	BEARING		2
581	599 16 47-01	BEARING		2
582	598 99 47-01	BEARING		2
583	599 16 56-01	BEARING		2
600	599 04 75-01	SEAL	1,313x2,066x0,31	2
601	599 04 76-01	SEAL	1,625x2,252x0,31	2
616	599 17 10-01	PLUG	3/8in NPTF (S8)	3



DRIVE

CRT48-57K PS EU, 970461613, 2020-02

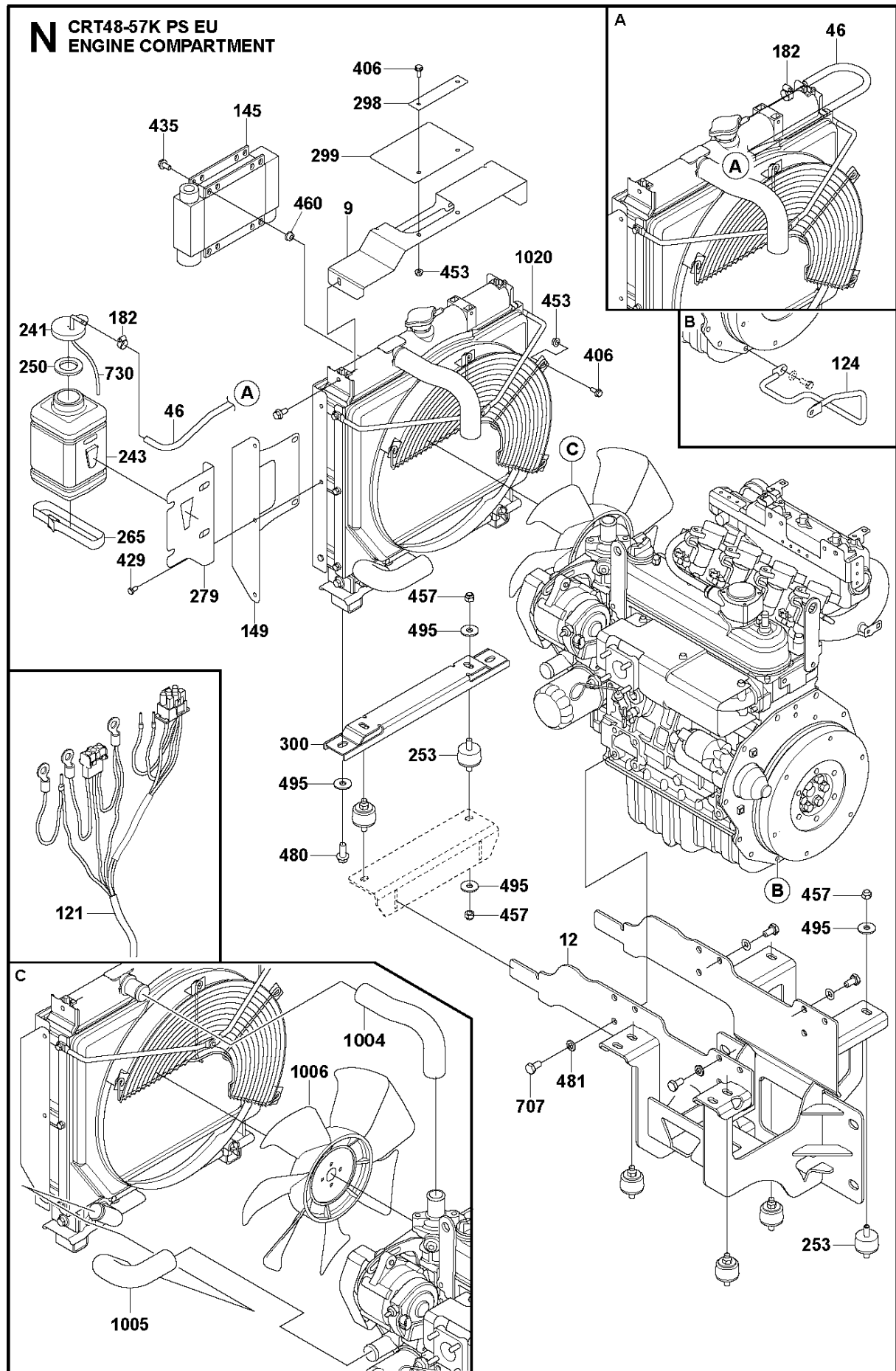
Ref	Part No	Description	Remark	QTY KIT
96	599 05 83-01	LEVER	Right cross	1
98	599 05 84-01	LEVER	Left cross	1
179	599 00 88-01	BRACKET	Gearbox bracket, left	1
180	599 02 29-01	BRACKET	Gearbox bracket, right	1
211	599 03 27-01	CLUTCH		1
215	599 03 28-01	CLUTCH		1
216	599 03 26-01	BELT	13-1/4"	1
217	598 99 52-01	JOINT		1
218	599 02 17-01	JOINT		1
219	599 10 54-01	SPACER		1
225	598 99 45-01	BEARING		2
226	599 16 54-01	WASHER	1"x0,265"x0,1795"	1
238	599 12 36-01	SHAFT		1
240	598 99 48-01	FITTING		1
284	599 16 92-01	CAP	Cap	8
317	599 17 29-01	FITTING		2
319	599 08 34-01	HOSE	41"	2
405	725 53 70-01	SCREW IHSCM	M6x20 ISO4762 8.8 ZPB, 9Nm/7ft.lbs	12
407	725 23 70-71	SCREW EHHM	M6x20 ISO4017 8.8 ZPB, 10Nm/7ft.lbs	1
412	725 53 78-01	SCREW IHSCM	M6x40 ISO4762 8.8 ZPB	3
428	725 25 45-51	SCREW EHHM	M12x65 ISO4014 8.8 ZPB, 85Nm/63ft.lbs	4
433	597 97 91-01	SCREW	M14x50 ISO4017 8.8 ZPB, 135Nm/100ft.lbs	4
434	599 17 51-01	SCREW	7/16"-20x5,5" SAE GR5	1
463	598 55 65-01	NUT	M14 ISO10511	4
466	502 04 55-01	NUT	M12 ISO10511	12
476	725 25 41-71	SCREW EHHM	M12x45 ISO4017 8.8 ZPB, 10Nm/7ft.lbs	16
488	599 16 57-01	WASHER	M14 ISO7089 200HV ZPB	8
490	599 16 44-01	WASHER	0,531x1,625x0,12	1
491	734 11 78-01	WASHER	M12 ISO7089 200HV ZPB	20
502	599 16 55-01	RETAINER RING	1"	1
543	599 16 32-01	KEY	Square key 3/16"x1"	2
547	599 17 24-01	KEY	Square key 1/4"x2-1/2"	2
588	598 99 31-01	BEARING	1in ID	6
589	599 01 26-01	BLOCK		6



ENGINE INSTALLATION

CRT48-57K PS EU, 970461613, 2020-02

Ref	Part No	Description	Remark	QTY KIT
1	599 10 16-01	ENGINE		1
8	599 10 46-01	AIR CLEANER		1
23	599 11 18-01	BELT GUARD		1
124	599 03 63-01	CABLE	16"	1
182	599 16 17-01	CLAMP	0,21"-0,63"	1
190	599 07 40-01	HOSE		1
201	599 11 19-01	PIPE		1
202	599 11 20-01	PIPE		1
205	599 12 40-01	HOSE		1
206	599 11 07-01	BRACKET		1
207	599 12 46-01	CAP		1
219	599 10 54-01	SPACER		1
245	599 12 20-01	SHAFT		1
281	599 16 41-01	CLAMP		4
283	599 17 45-01	CLAMP		2
301	599 12 11-01	BRACKET		1
406	585 98 06-01	SCREW EHHFM	M6x16 ISO1665 8.8 ZPB, 9Nm/7ft.lbs	3
416	725 24 51-01	SCREW	8x20 hx.hd. 24Nm/18ft.lbs	5
435	506 57 01-03	SCREW EHHFM	M8x16 ISO1665 8.8 ZPB, 25Nm/18ft.lbs	8
436	585 97 28-01	SCREW EHHFM	M8x30 ISO1665 8.8 ZPB, 25Nm/18ft.lbs	2
459	576 64 57-05	NUT FLANGE	M10 ISO7042	2
460	576 64 57-04	NUT FLANGE	M8	8
480	599 17 78-01	SCREW	M10x25	6
485	734 11 63-01	WASHER	M8 ISO7089 200HV ZPB	1
547	599 17 24-01	KEY	Square key 1/4"x2-1/2"	1
651	599 12 31-01	BRACKET		1
652	599 12 29-01	BRACKET		1
653	599 12 33-02	SHIELD		1
669	599 07 56-01	CASING	RS-209HTx6,5"	1
670	599 12 59-01	HOSE		1
672	599 16 89-01	SCREW	M12x35 10.9	2
673	576 64 57-06	NUT FLANGE	M12	2
674	585 97 31-01	SCREW EHHFM	M10x25 ISO1665 8.8 ZPB	4
675	576 82 31-01	WASHER		4
676	599 07 77-01	BRACKET		1
688	599 07 36-01	FITTING		1
1001	599 07 57-01	CONVERTER		1
1002	599 48 09-01	GASKET		1
1003	599 48 09-02	GASKET		1



ENGINE COMPARTMENT

CRT48-57K PS EU, 970461613, 2020-02

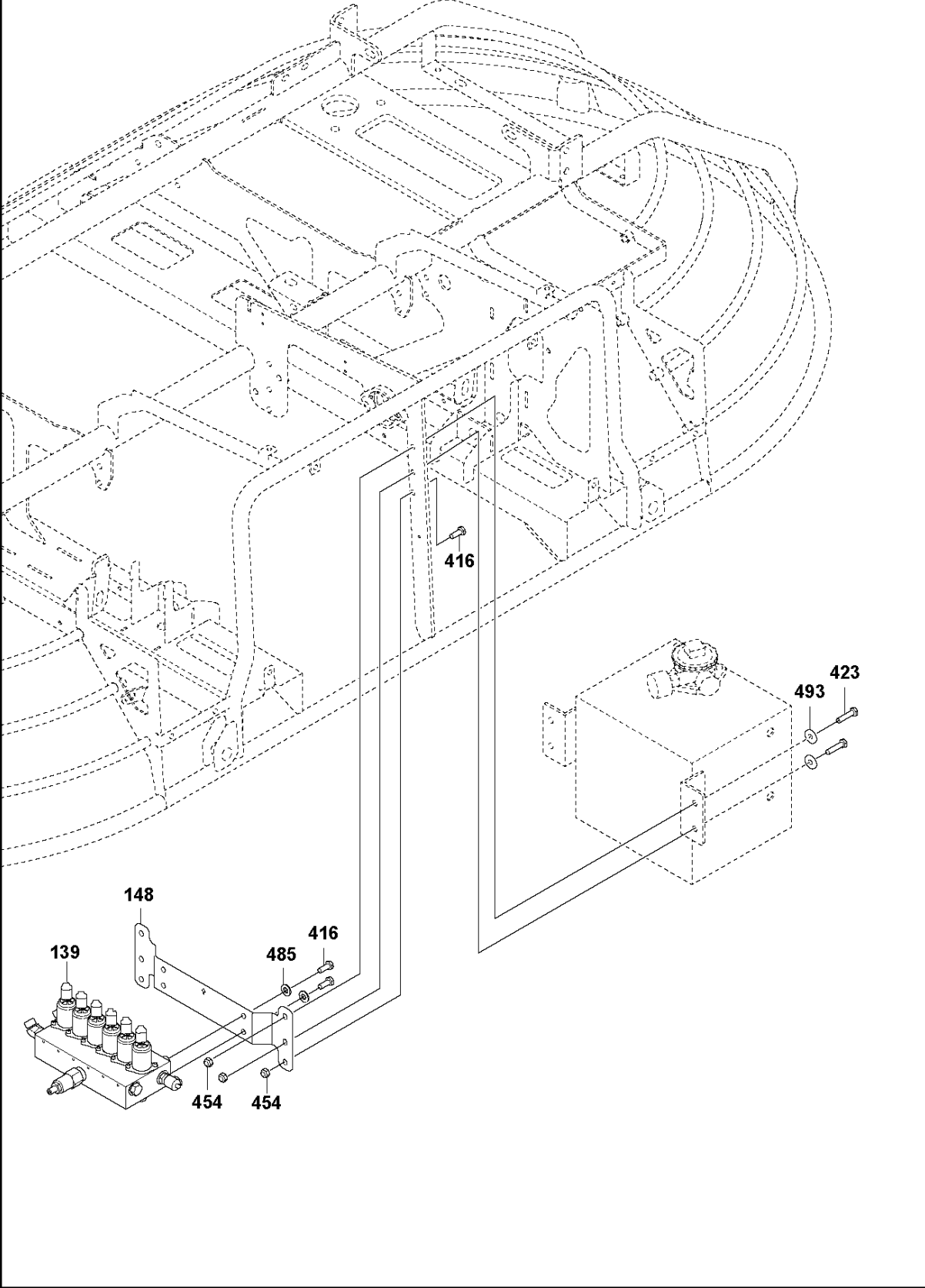
Ref	Part No	Description	Remark	QTY KIT
9	599 12 30-01	SHIELD		1
12	599 12 12-01	BRACKET		1
46	599 48 12-01	FUEL HOSE	28"	1
121	599 07 78-01	WIRE		1
124	599 03 63-01	CABLE		1
145	599 11 70-01	RADIATOR		
149	599 07 73-01	BRACKET		1
182	599 16 17-01	CLAMP	0,21"-0,63"	2
241	599 03 43-01	CAP		1
243	599 03 42-01	BOTTLE		1
250	599 06 45-01	GASKET		1
253	598 99 98-01	BUMPER		6
265	599 17 32-01	CABLE		2
279	599 11 21-01	BRACKET		1
298	599 04 47-01	PLATE		1
299	599 04 45-01	SHIELD		1
300	599 07 54-01	BRACKET		1
406	585 98 06-01	SCREW EHHFM	M6x16 ISO1665 8.8 ZPB, 9Nm/7ft.lbs	6
429	596 32 01-01	BOLT	M6x12 ISO4017 8.8 ZPB, 10Nm/7ft.lb	2
435	506 57 01-03	SCREW EHHFM	M8x16 ISO1665 8.8 ZPB, 25Nm/18ft.lbs	8
453	593 35 64-01	NUT	M6	6
457	539 20 02-82	NUT	3/8"-16"	6
460	576 64 57-04	NUT FLANGE	M8	4
480	599 17 78-01	SCREW	M10x25	2
481	734 11 72-01	WASHER	M10 ISO7089 200HV ZPB	12
495	599 15 99-01	WASHER	B10,5 (DIN9021)	6
707	599 17 35-01	SCREW	M10x20, 48Nm/35ft.lbs (S3)	12
730	599 07 55-01	HOSE	152 mm	1
1004	599 48 06-01	HOSE		1
1005	599 48 06-02	HOSE		1
1006	599 48 07-01	FAN		1
1020	599 48 03-01	RADIATOR		1

HYDRAULIC PIPING

CRT48-57K PS EU, 970461613, 2020-02

Ref	Part No	Description	Remark	QTY	KIT
140	599 05 08-01	RESERVOIR		1	
282	599 17 28-01	CLAMP	20-32	3	
323	598 99 78-01	FITTING		1	
324	598 99 09-01	FITTING		1	
691	599 07 37-01	FITTING		1	
692	599 07 38-01	FITTING		1	
693	599 07 39-01	FITTING		1	
902	599 50 71-01	HYDRAULIC HOSE	24"	1	
903	599 50 72-01	HYDRAULIC HOSE	49"	1	1000
904	599 52 88-01	HYDRAULIC HOSE	29"	1	1000
905	599 52 89-01	HYDRAULIC HOSE	33"	1	1000
906	599 50 76-01	HYDRAULIC HOSE		2	1000
907	599 50 77-01	HYDRAULIC HOSE		2	1000
908	599 50 78-01	HYDRAULIC HOSE		2	1000
913	599 50 80-01	FILTER		1	140
914	599 50 81-01	CAP		1	913, 140
915	599 50 84-01	O-RING		1	913, 140
916	599 50 82-01	SPRING		1	913, 140
917	599 50 83-01	FILTER HOUSING		1	913, 140
918	599 50 85-01	O-RING		1	913, 140
919	599 50 86-01	O-RING		1	913, 140
920	599 50 87-01	SEPARATOR		1	913, 140
921	599 50 88-01	BREATHER		1	913, 140
922	599 50 89-01	FILTER		1	913, 140
999	599 50 69-01	HYDRAULIC TANK		1	140
1000	599 07 41-01	HOSE KIT	Hydraulic hoses, set	1	
1001	599 50 68-01	HYDRAULIC TANK	Sight glass	1	
1015	599 07 52-01	HYDRAULIC PUMP		1	

Q CRT48-57K PS EU
HYDRAULIC MANIFOLD



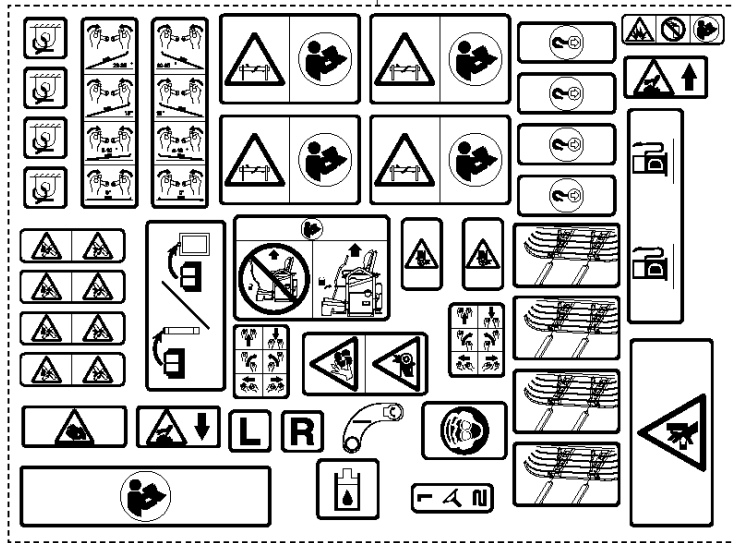
HYDRAULIC MANIFOLD

CRT48-57K PS EU, 970461613, 2020-02

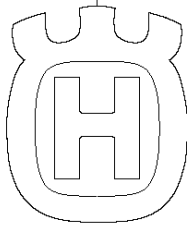
Ref	Part No	Description	Remark	QTY KIT
139	599 05 07-01	MANIFOLD		1
148	599 05 37-01	BRACKET		1
416	725 24 51-01	SCREW	8x20 hx.hd. 24Nm/18ft.lbs	6
423	725 24 57-51	SCREW	M8x35 ISO4017 8.8 ZPB 25Nm/18ft.lbs	4
454	522 91 94-01	LOCK NUT	M8 ISO10511	6
485	734 11 63-01	WASHER	M8 ISO7089 200HV ZPB	4
493	734 11 65-41	WASHER	M8 ISO7093 ZPB	4

R CRT48-57K PS EU
DECALS

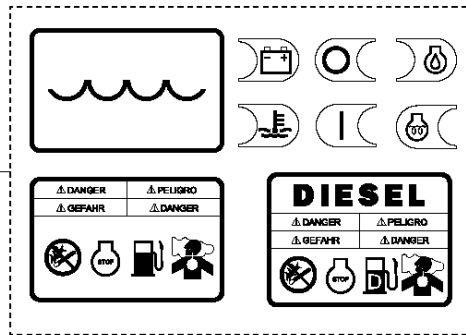
230



800




235



801

CRT48

810

 Husqvarna®

DECALS

CRT48-57K PS EU, 970461613, 2020-02

Ref	Part No	Description	Remark	QTY KIT
230	599 05 15-01	LABEL		1
235	599 04 31-01	LABEL		1
800	599 23 50-01	DECAL		1
801	599 23 49-01	DECAL		1
810	599 23 48-01	DECAL		2