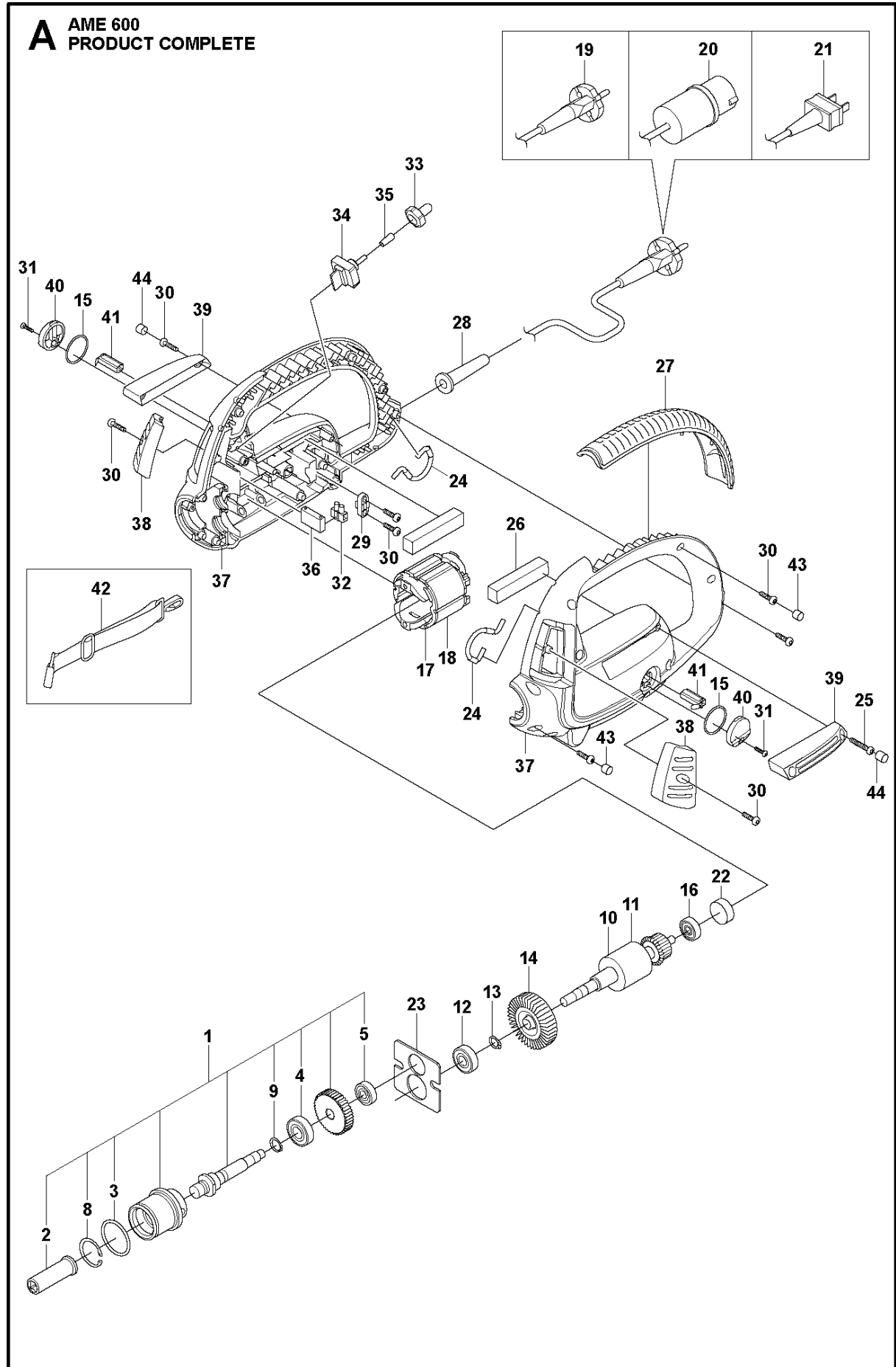




SPARE PARTS LIST

DRIVE UNITS

AME 600, 967933101, 967933801,
2019-06



PRODUCT COMPLETE

AME 600, 967933101, 967933801, 2019-06

| Ref | Part No | Description | Remark | QTY KIT | |
|-----|--------------|---------------|--------------------------------------|---------|---|
| 1 | 594 63 03-01 | SPINDLE | Spindle, complete | 1 | |
| 2 | 594 37 52-01 | SCREW | | 1 | 1 |
| 3 | 595 35 51-01 | O-RING | 26.64x2.62 NBR 70 shore | 1 | 1 |
| 4 | 595 35 43-01 | BALL BEARING | 6001 2RSH C3 | 1 | 1 |
| 5 | 595 11 58-01 | BALL BEARING | 608 2Z C3 | 1 | 1 |
| 8 | 595 35 34-01 | CIRCLIP | 28x1.2 DIN 472 | 1 | 1 |
| 9 | 595 35 32-01 | CIRCLIP | 12x1 DIN 471 | 1 | 1 |
| 10 | 594 62 90-01 | ROTOR | Rotor 230V | 1 | |
| 11 | 595 20 18-01 | ROTOR | Rotor 115V | 1 | |
| 12 | 594 12 63-01 | BALL BEARING | 629 | 1 | |
| 13 | 595 35 33-01 | CIRCLIP | D10 DIN471 | 1 | |
| 14 | 595 20 22-01 | FAN | | 1 | |
| 15 | 595 35 49-01 | O-RING | 26x1.5 NBR 70 shore | 2 | |
| 16 | 594 12 64-01 | BALL BEARING | 607 | 1 | |
| 17 | 594 62 91-01 | STATOR | Stator 230V | 1 | |
| 18 | 595 47 72-01 | STATOR | Stator 115V | 1 | |
| 19 | 594 62 96-01 | CABLE | Cable with plug EU | 1 | |
| 20 | 595 47 73-01 | CABLE | Cable with plug UK | 1 | |
| 21 | 595 47 74-01 | CABLE | Cable with plug USA | 1 | |
| 22 | 594 62 92-01 | SLEEVE | | 1 | |
| 23 | 595 20 19-01 | PLATE | | 1 | |
| 24 | 594 62 93-01 | BELT | | 2 | |
| 25 | 595 03 54-01 | SCREW | PT K30x12 mm WN1452 A4S | 2 | |
| 26 | 594 62 95-01 | FILTER | | 2 | |
| 27 | 594 63 01-01 | HANDLE | | 1 | |
| 28 | 594 62 97-01 | SLEEVE | | 1 | |
| 29 | 595 47 75-01 | CABLE | | 1 | |
| 30 | 594 12 15-01 | SCREW | PT K40x16 mm WN1452 A4F | 17 | |
| 31 | 594 12 16-01 | SCREW | PT K40x25 mm WN1452 A4F | 2 | |
| 32 | 594 54 57-01 | JUNCTION BOX | | 2 | |
| 33 | 594 37 57-01 | CAP | | 1 | |
| 34 | 594 37 51-01 | SWITCH | | 1 | |
| 35 | 594 37 70-01 | SWITCH | | 1 | |
| 36 | 594 62 98-01 | CAPACITOR | | 1 | |
| 37 | 595 93 32-01 | MOTOR HOUSING | Motor housing set, left and right | 1 | |
| 38 | 595 47 76-01 | COVER | Front cover set, left and right | 1 | |
| 39 | 594 86 23-01 | COVER | Rear cover set, left and right | 1 | |
| 40 | 594 63 00-01 | PLUG | Brush plug set, left and right | 1 | |
| 41 | 594 63 02-01 | CARBON BRUSH | Brush set, left and right | 1 | |
| 42 | 594 62 94-01 | STRAP | | 1 | |
| 43 | 598 48 85-01 | SEALING PLUG | Sealing plug 5 mm | 7 | |
| 44 | 598 48 85-02 | SEALING PLUG | Sealing plug 10 mm | 3 | |

B AME 600
DECALS

1



DECALS

AME 600, 967933101, 967933801, 2019-06

| Ref | Part No | Description | Remark | QTY KIT |
|-----|--------------|-------------|-------------------------|---------|
| 1 | 598 48 87-01 | DECAL | Husqvarna & Model decal | 2 |