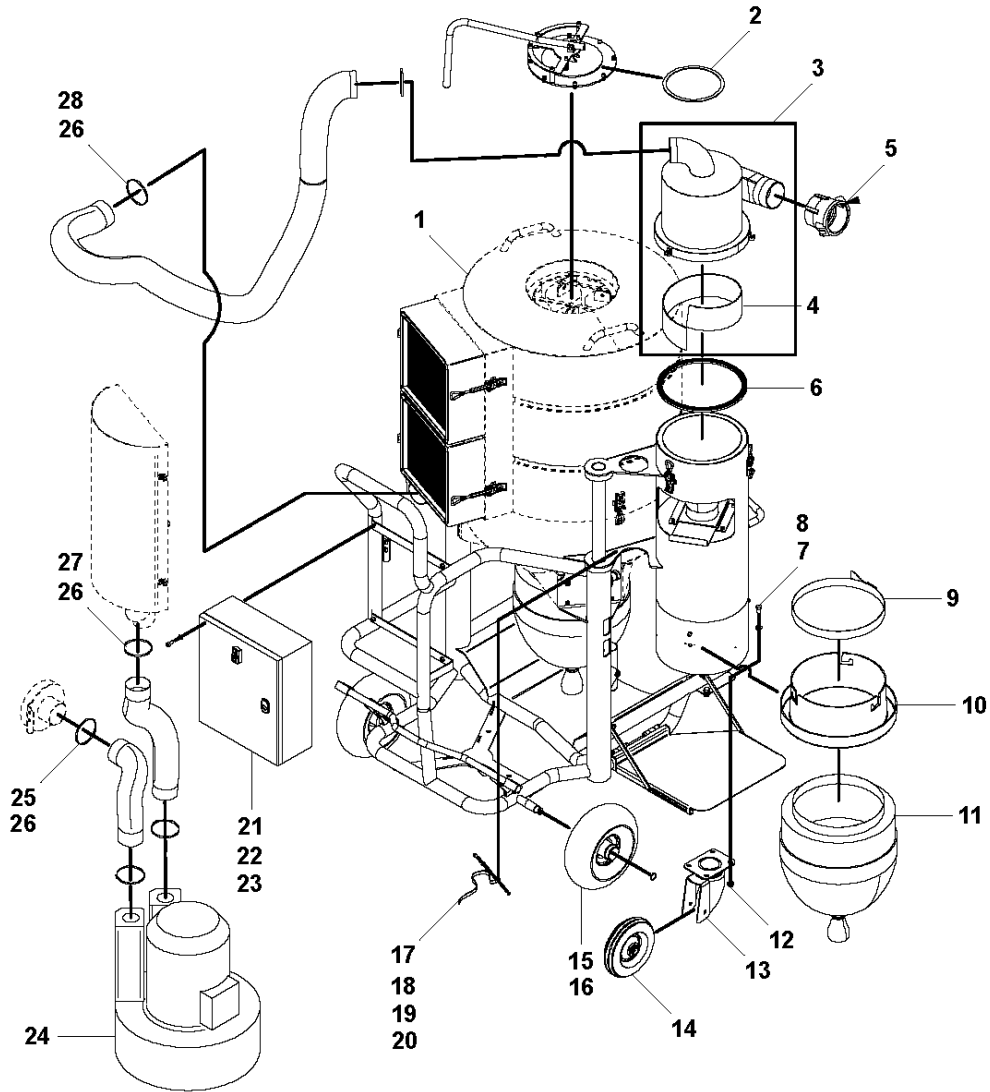


SPARE PARTS LIST

SURFACE PREPARATION EQUIPMENT

HTC 80iD, 967839006, 967839005,
967839008, 967839002, 967839003,
967839004, 967839001, 967839009,
967839010, 2019-01

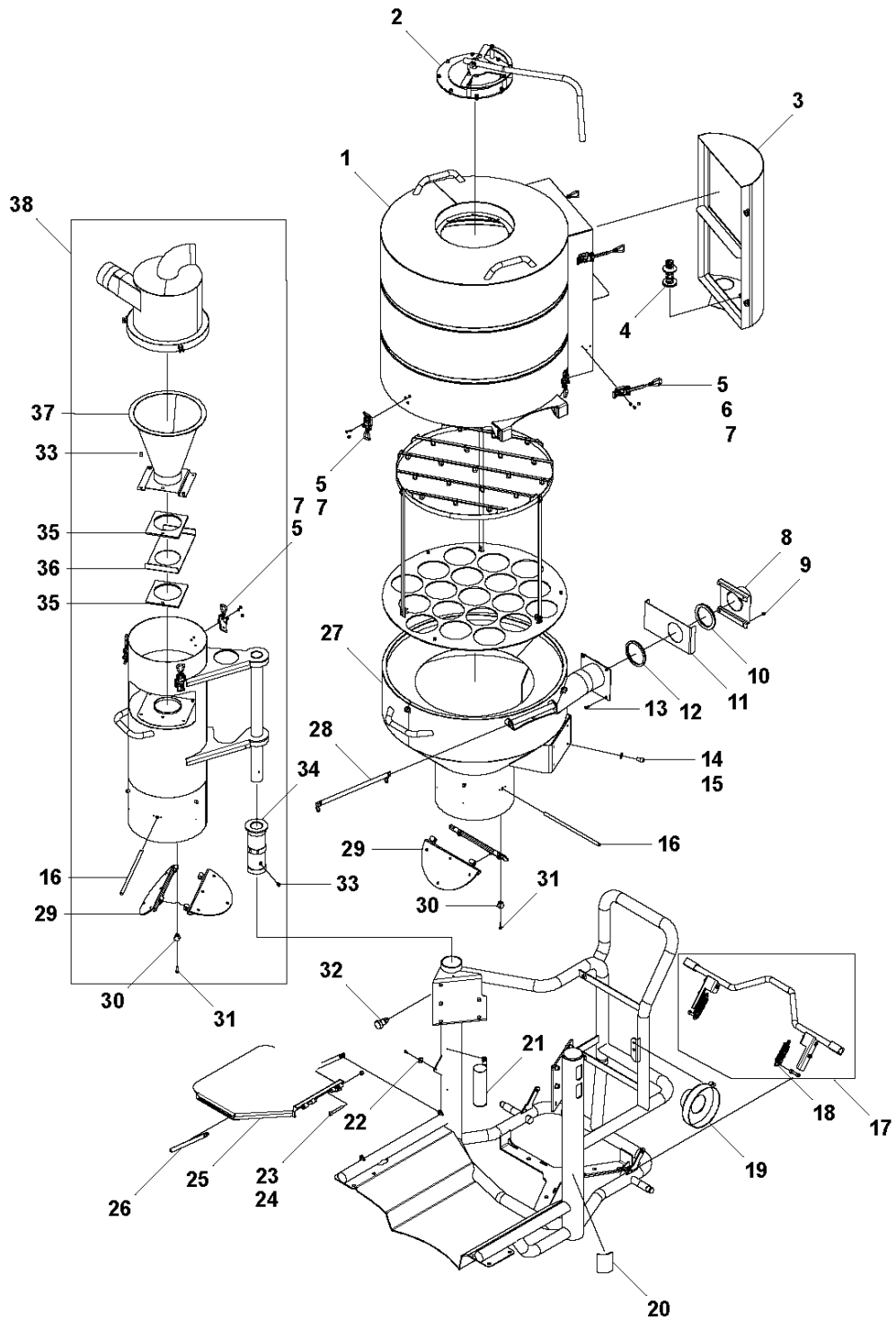
A HTC 80iD
CHASSIS



CHASSIS HTC 80iD, 967839006, 967839005, 967839008, 967839002, 967839003, 967839004, 967839001, 967839009, 967839010, 2019-01

Ref	Part No	Description	Remark	QTY KIT
1	0	TBD	CHASSIS SUB.ASSY HTC 80 Id	1
2	593 44 41-01	STRIP	RUBBER LIST 9x3 MM. 0.9 M	1
3	593 53 07-01	LID	PRESEPARATOR LID INCL LINATEX	1
4	593 61 78-01	SEPARATOR	LINATEX PRESEPARATOR	1
5	593 45 77-01	THREAD INSERT	"CAMLOCK FEMALE INSIDE 3""	1
6	593 44 42-01	STRIP	WEATHER STRIP 15x8 MM. 0.8 M	1
7	593 50 88-01	SCREW	SCREW M6SH M10X20 8.8 ZP	8
8	593 49 91-01	WASHER	WASHER BRB M10 ZP	8
9	593 44 08-01	STRAP	STRAP BAND	2
10	593 52 40-01	HOLDER	LONGOPAC HOLDER	2
11	593 44 64-01	BOX	LONGOPAC	2
12	593 49 58-01	LOCK NUT	LOCKNUT LM6M M10	8
13	593 46 76-01	CASTER	WHEEL SHACKLE SWIVEL SEALED	2
14	593 45 02-01	WHEEL	WHEEL Ø200 INCL. FASTENERS	2
15	593 46 88-01	WHEEL	WHEEL 282MM	2
16	593 49 63-01	CIRCLIP	CIRCLIP SGA 20	2
17	595 63 48-01	WIRE	BRAIDED EARTH CABLE 300 MM	1
18	593 51 10-01	LOCKWASHER	WASHER SERRATED INNER DIN 6798 - A 6,4	2
19	593 49 60-01	WASHER	WASHER BRB M6 ZP	2
20	593 49 73-01	SCREW	SCREW MC6S M6X12 8.8 ZP	2
21	593 54 66-01	POWER UNIT	POWER UNIT 80 iD 7,5KW 3X400V	1
21	595724701	TBD	POWER UNIT 80 iD 8,6KW 3X460V	1
22	593 50 06-01	SCREW	SCREW MC6S M8X16 10.9 ZP	4
23	593 51 11-01	LOCKWASHER	WASHER SERRATED INNER DIN 6798 - A 8,4	4
24	593 46 16-01	FAN	SIDE CHANNEL BLOWER 7,5kW	1
25	593 47 42-02	HOSE	"HOSE 3"" HIGH TEMP BLACK. 0.3M"	1
26	593 44 50-01	HOSE CLAMP	"HOSE CLAMP 3""	6
27	593 47 87-01	HOSE	"HOSE 3"" ANTISTATIC BLACK. 0.6 M"	1
28	593 47 87-01	HOSE	"HOSE 3"" ANTISTATIC BLACK. 2 M"	1

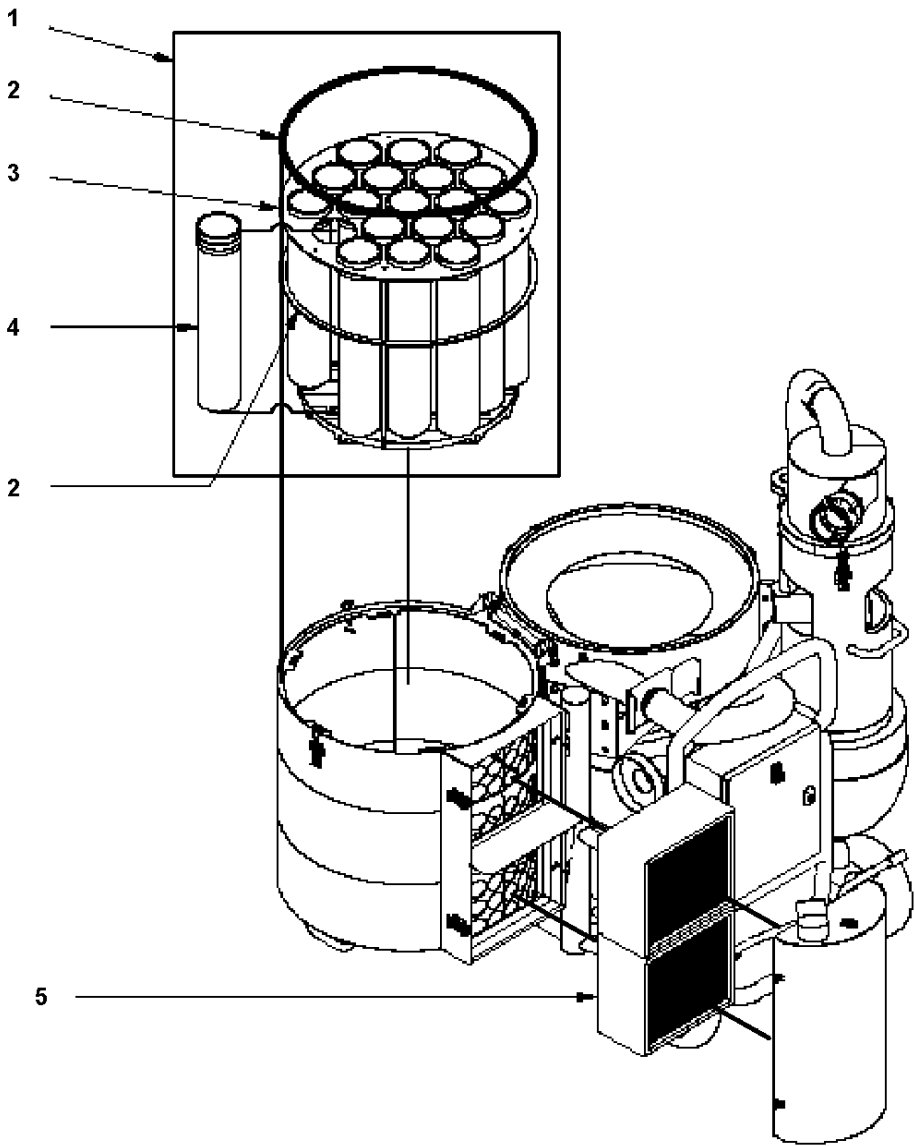
B HTC 80iD
CHASSIS



CHASSIS HTC 80iD, 967839006, 967839005, 967839008, 967839002, 967839003, 967839004, 967839001, 967839009, 967839010, 2019-01

Ref	Part No	Description	Remark	QTY KIT
1	593 52 65-01	FILTER UNIT	VAC FILTER UNIT	1
2	593 53 12-01	VALVE	CLEANER VALVE COMPLETE	1
3	593 63 14-01	COVER	HEPA MOUNTING	1
4	595700401	TBD	RELIEF VALVE	1
5	593 44 39-01	LATCH	LATCH	10
6	593 51 25-01	SCREW	SPACER SCREW DSS M6x70 ZP	4
7	593 49 72-01	SCREW	SCREW MF6S M5x8 10.9 ZP	30
8	593 52 66-01	PLATE	VALVE PLATE	1
9	593 50 00-01	LOCK NUT	LOCKNUT LM6M M6	2
10	593 52 79-01	SEAL	SEALING (OUTER DIA DIMENSIONED)	1
11	595699601	TBD	MOVABLE PLATE	1
12	593 45 23-01	GASKET	SEALING (OUTER DIA DIMENSIONED)	1
13	595 67 30-01	SCREW	SCREW MLC6S M6x10 8.8 ZP	4
14	593 50 87-01	SCREW	SCREW MC6S M10X16 8.8 ZP	7
15	593 49 91-01	WASHER	WASHER BRB M10 ZP	10
16	593 51 87-01	AXLE	AXLE FOR DUST HATCHET	2
17	593 52 90-01	BRAKE	BRAKE FASTENERS	1
18	593 52 70-01	SPRING	TENSION SPRING	2
19	595700101	TBD	EXHAUST W. FASTENERS	1
20	595700801	TBD	PROTECTION	1
21	595701301	TBD	ZIP TIES HOLDER COMPLETE	1
22	595 70 03-01	MAGNET	MAGNET W. FASTENER	1
23	593 49 98-01	LOCK NUT	LOCKNUT LM6M M8	2
24	593 50 03-01	SCREW	SCREW MC6S M8X60 12.9 PLAIN	2
25	595698601	TBD	DUST BAG HOLDER	1
26	595 70 02-01	BRACKET	DUST SHELF BRACKET W. FASTENERS	2
27	594953201	TBD	VAC LOWER SECTION ASSY	1
28	593 52 91-01	AXLE	SHAFT W. FASTENER	1
29	593 52 69-01	DUST COVER	MOUNTED DUST SHEET	4
30	593 52 82-01	WEDGE	WEDGE	2
31	593 50 38-01	SCREW	SCREW MC6S M5X20 8.8 ZP	2
32	593 45 68-01	PISTON	LEVER INDEXING PLUNGER M16x1,5	1
33	593 49 54-01	SCREW	SCREW MC6S M6X10 8.8 ZP	5
34	593 52 64-01	BUSHING	PLASTIC BUSHING	1
35	593 52 39-01	SEAL	PLASTIC SEALING	2
36	593 52 38-01	PLATE	MOVABLE PLATE	1
37	593 52 68-01	CONE	PRESEPARATOR CONE	1
38	593 61 79-01	SEPARATOR	PRESEPARATOR COMPLETE	1

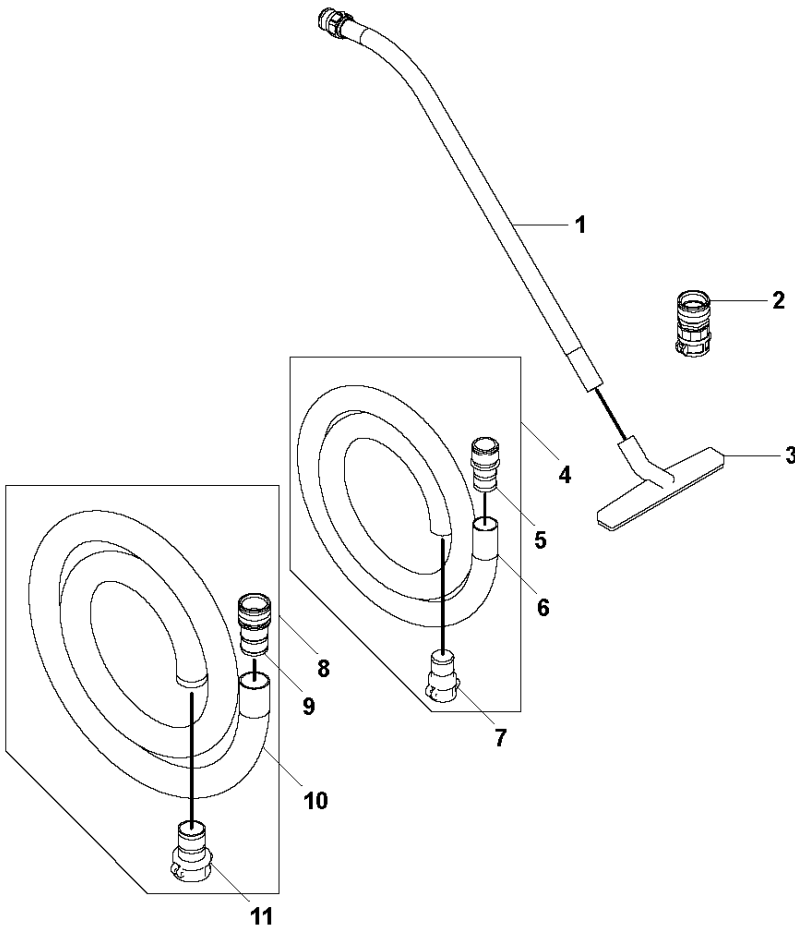
C HTC 80iD
FILTER



FILTER HTC 80iD, 967839006, 967839005, 967839008, 967839002, 967839003, 967839004, 967839001, 967839009, 967839010, 2019-01

Ref	Part No	Description	Remark	QTY KIT
1	593 53 06-01	FILTER	FILTER PACK COMPL.	1
2	593 44 42-01	STRIP	RUBBER SEAL 15x8 MM. 2.1 M	1
3	593 52 37-01	FILTER HOLDER	ASSEMBLED FILTER HOLDER	1
4	595 75 47-01	FILTER	FILTER TUBE	19
5	593 44 40-01	FILTER	ABSOLUTE FILTER HEPA 13	2

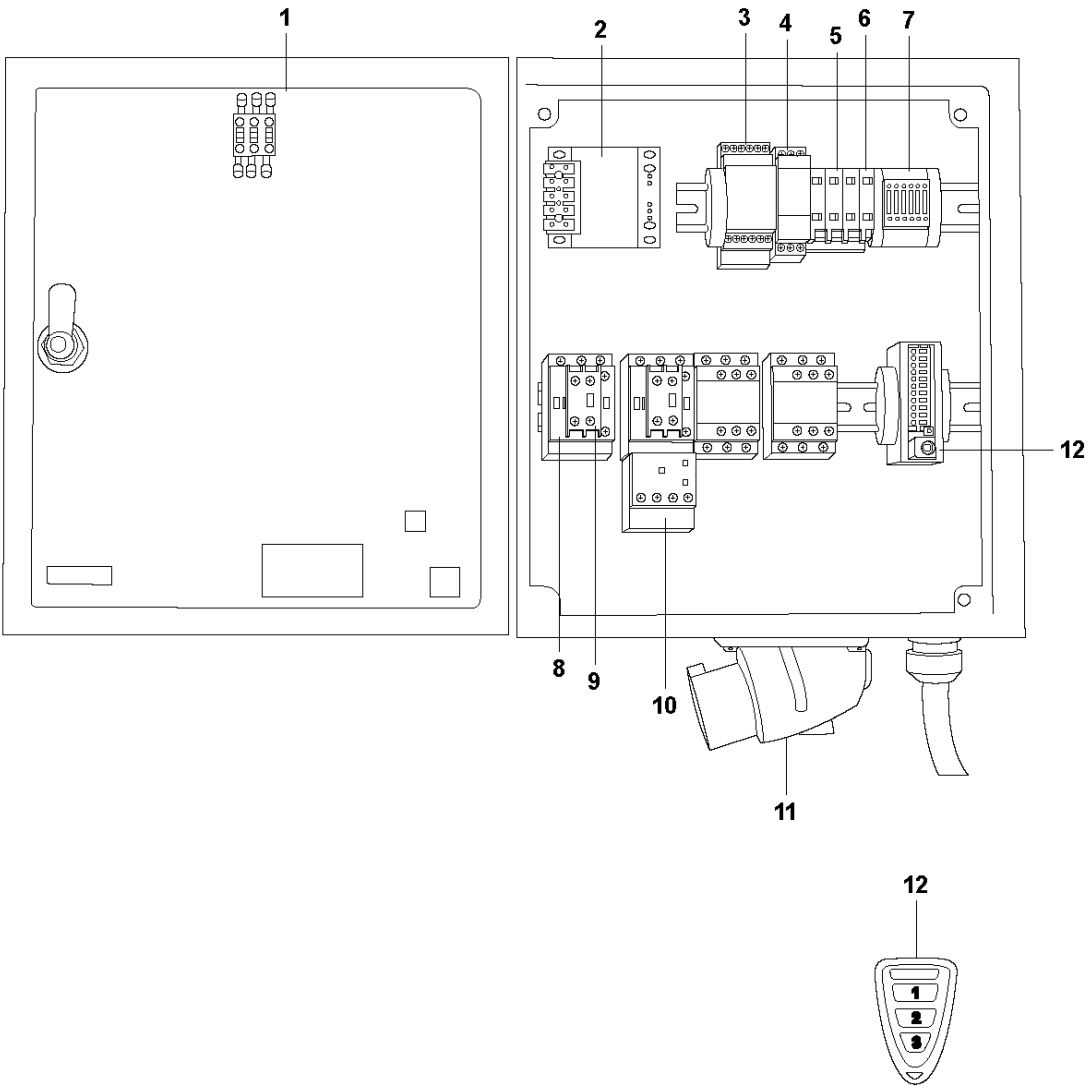
D HTC 80iD
CLEANING KIT



CLEANING KIT HTC 80iD, 967839006, 967839005, 967839008, 967839002, 967839003, 967839004, 967839001, 967839009, 967839010, 2019-01

Ref	Part No	Description	Remark	QTY KIT
1	593 46 11-01	PIPE	CLEANING PIPE CAMLOCK COMPLETE	1
2	593 46 96-01	ADAPTER	"CAMLOCK REDU 3" MAL- 2,5" FEM"	1
3	593 46 74-01	NOZZLE	FLOOR NOZZLE	1
4	593 47 90-01	HOSE KIT	HOSE KIT 2.5" 10M CAMLOCK	1
5	593 46 68-01	HOSE COUPLING	CAMLOCK MALE 2.5" HOSE SHANK	1
6	593 47 91-01	HOSE	"HOSE 2,5" ANTISTATIC BLACK. 10 M"	1
7	593 52 77-01	HOSE NIPPLE	"CAMLOCK FEMALE 2" HOSE 2,5"	1
8	593 47 88-01	HOSE KIT	HOSE KIT 3" 10M CAMLOCK	1
9	593 45 76-01	HOSE COUPLING	"CAMLOCK MALE 3" HOSE SHANK"	1
10	593 47 86-01	HOSE	"HOSE 3" ANTISTATIC TRANSPARENT. 10 M"	1
11	593 45 78-01	HOSE COUPLING	"CAMLOCK FEMALE 3" HOSE SHANK"	1

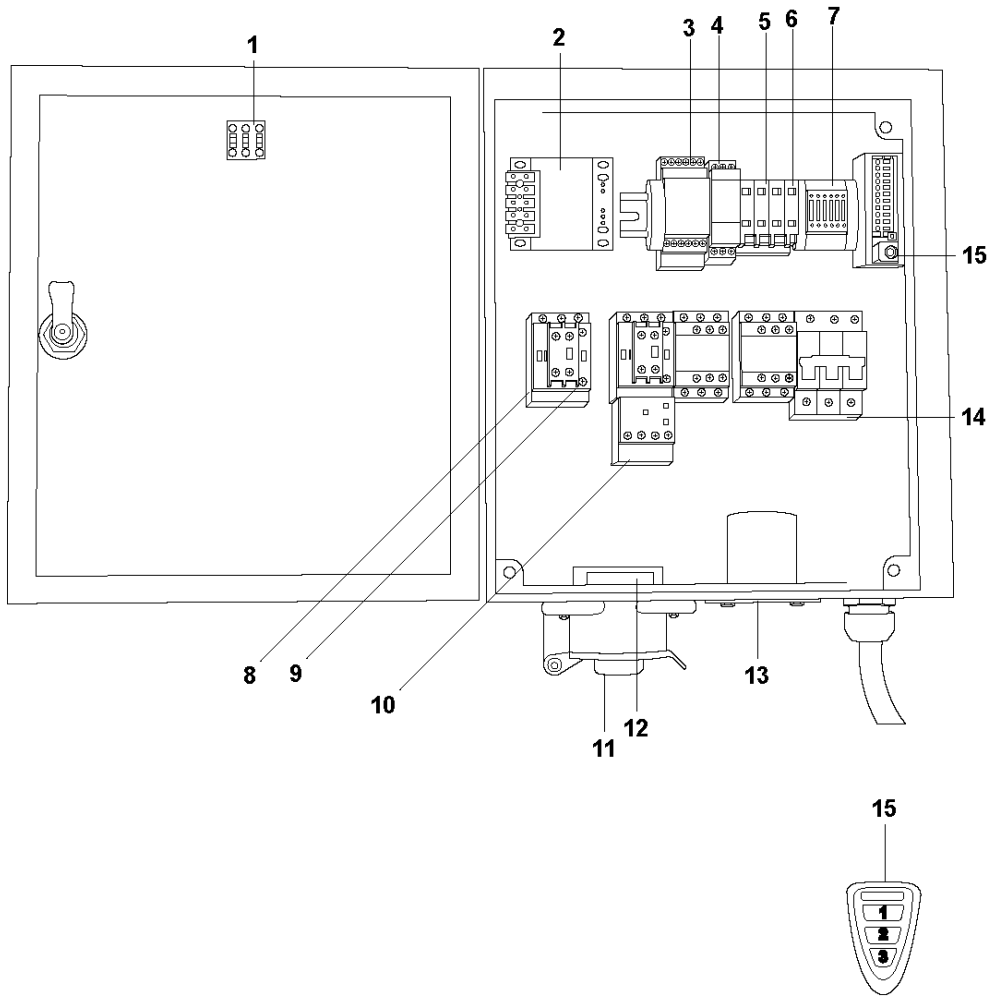
E HTC iD80
ELECTRICAL CABINET 3x400-460V



ELECTRICAL CABINET 3x400V-460V HTC 80iD, 967839006, 967839005, 967839008, 967839002, 967839003, 967839004, 967839001, 967839009, 967839010, 2019-01

Ref	Part No	Description	Remark	QTY KIT
1	593 47 08-01	PUSH BUTTON	PRESS BUTTON DOUBLE	1
1	593 61 49-01	BASE	MOUNTING BASE, METAL	1
1	593 47 09-01	LAMP	BULB RED	1
1	593 39 97-01	BLOCK	CONTACT BLOCK RED (NC)	1
1	593 39 96-01	BLOCK	CONTACT BLOCK GREEN (NO)	1
2	593 47 10-01	TRANSFORMER	TRANSFORMER	1
3	593 55 08-01	RELAY	RELAY PHASE CONTROL	2
4	593 47 12-01	RELAY	RELAY TIME CONTROL	1
5	596 87 10-01	FUSE	FUSE GLASS TUBE 1A	3
5	595 08 37-01	FUSE	FUSE TERMINAL	3
6	593 47 14-01	FUSE	FUSE GLASS TUBE 5A	1
6	595 08 37-01	FUSE	FUSE TERMINAL	1
7	593 44 85-01	TERMINAL BLOCK	TERMINAL BLOCK	6
8	593 47 15-01	CONTACTOR	CONTACTOR	4
9	593 47 16-01	BLOCK	CONTACT BLOCK	2
10	593 47 17-01	RELAY	RELAY OVERCURRENT	1
11	593 39 59-01	INLET	POWER INLET 5P RED	1
11	593 44 93-01	INLET	POWER INLET 4P BLACK	1
12	593 54 67-01	STARTER	REMOTE START KIT EU	1
12	593 54 79-01	STARTER	REMOTE START KIT US	1
12	593 46 66-01	TRANSMISSION	TRANSMITTER EU	1

F HTC 80iD
ELECTRICAL CABINET 3x460V US plug



ELECTRICAL CABINET 3x460V US plug

HTC 80iD, 967839006, 967839005, 967839008,

967839002, 967839003, 967839004, 967839001, 967839009, 967839010, 2019-01

Ref	Part No	Description	Remark	QTY KIT
1	593 47 08-01	PUSH BUTTON	PRESS BUTTON DOUBLE	1
1	593 61 49-01	BASE	MOUNTING BASE, METAL	1
1	593 47 09-01	LAMP	BULB RED	1
1	593 39 97-01	BLOCK	CONTACT BLOCK RED (NC)	1
1	593 39 96-01	BLOCK	CONTACT BLOCK GREEN (NO)	1
2	593 47 10-01	TRANSFORMER	TRANSFORMER	1
3	593 55 08-01	RELAY	RELAY PHASE CONTROL	2
4	593 47 12-01	RELAY	RELAY TIME CONTROL	1
5	596 87 10-01	FUSE	FUSE GLASS TUBE 1A	3
5	595 08 37-01	FUSE	FUSE TERMINAL	3
6	593 47 14-01	FUSE	FUSE GLASS TUBE 5A	1
6	595 08 37-01	FUSE	FUSE TERMINAL	1
7	0	TBD	TERMINAL BLOCK	6
8	593 47 15-01	CONTACTOR	CONTACTOR	4
9	593 47 16-01	BLOCK	CONTACT BLOCK	2
10	593 47 17-01	RELAY	RELAY OVERCURRENT	1
11	595643701	TBD	POWER INLET COVER	1
12	593 62 94-01	INLET	POWER INLET 3P+E	1
13	593 47 44-01	SOCKET	OUTPUT CONNECTION 3P+E	1
14	593 55 17-01	FUSE	FUSE 3POL C16A	1
15	593 54 67-01	STARTER	REMOTE START KIT EU	1
15	593 54 79-01	STARTER	REMOTE START KIT US	1
15	593 46 66-01	TRANSMISSION	TRANSMITTER EU	1