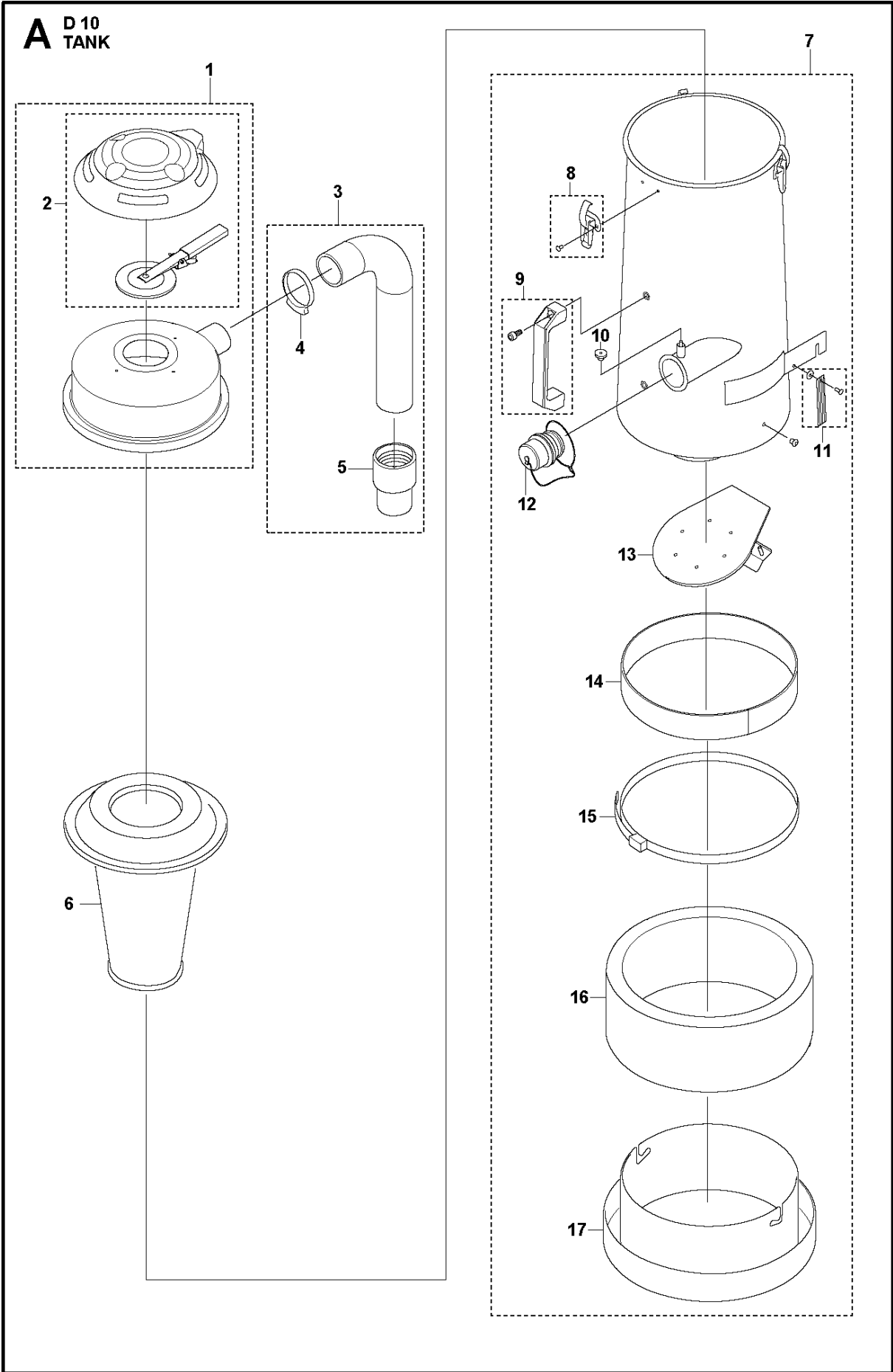


SPARE PARTS LIST

DUST AND SLURRY MANAGEMENT

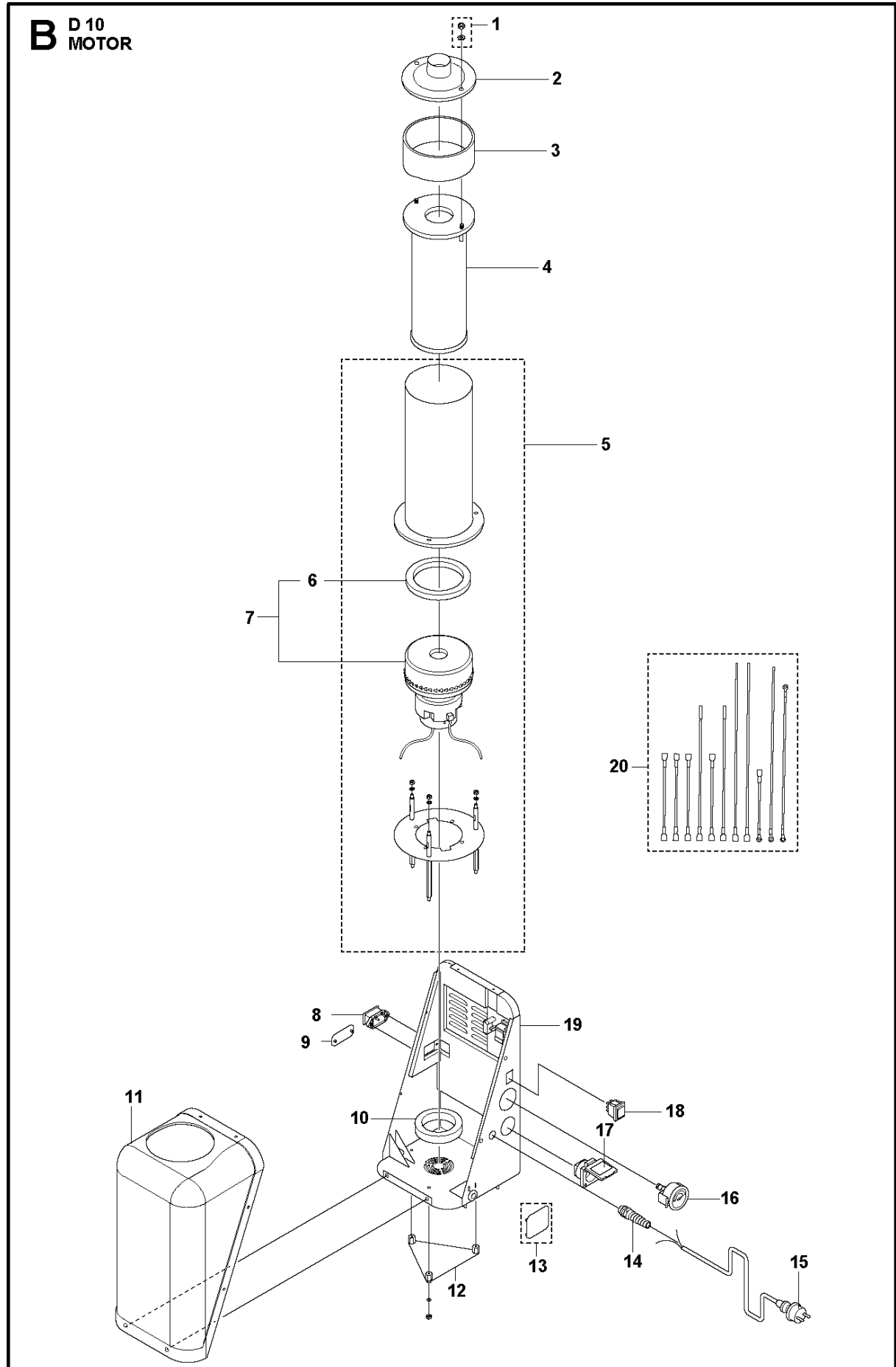
D 10, 2019-01



TANK

D 10, 2019-01

Ref	Part No	Description	Remark	QTY	KIT
1	590 47 62-03	TANK CAP ASSY		1	
2	590 41 50-03	VALVE		1	1
3	590 39 90-01	HOSE KIT		1	
4	590 40 08-01	HOSE CLAMP		1	3
5	590 43 81-01	HOSE		1	3
6	590 39 74-01	FILTER		1	
8	590 39 64-01	HOLDER KIT		3	7
9	590 39 88-01	HANDLE KIT		1	7
10	590 40 16-01	LOCKING PIN		1	7
11	590 40 27-01	HOLDER KIT		1	7
12	590 41 51-01	LID		1	7
13	590 39 86-01	FLAP		1	7
14	590 40 23-01	SEAL		1	7
15	590 40 18-01	STRAP		1	7
16	590 42 92-01	BAG		1	7
17	590 42 69-01	HOLDER		1	7

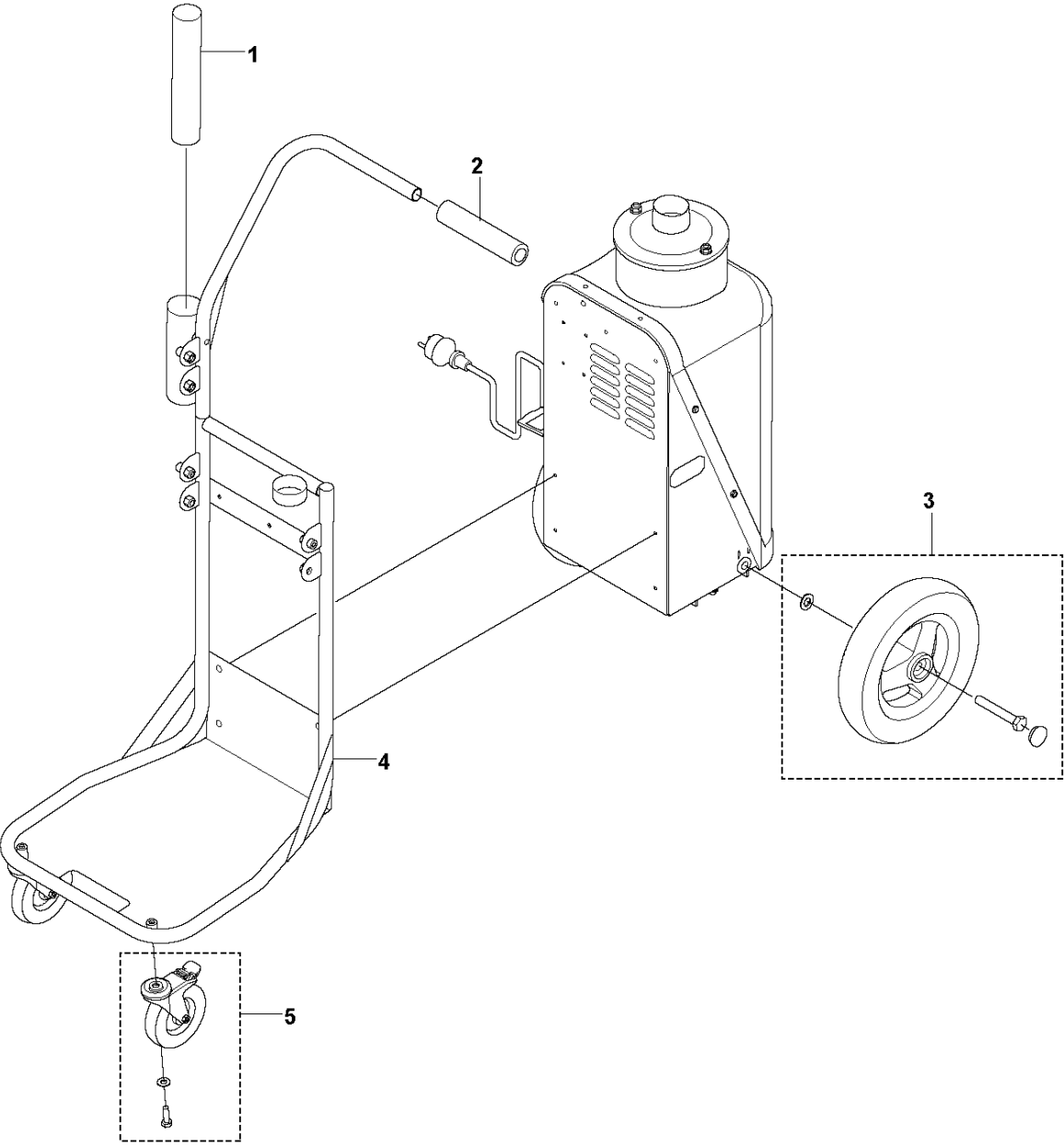


MOTOR

D 10, 2019-01

Ref	Part No	Description	Remark	QTY	KIT
1	590 40 07-01	NUT		2	
2	590 39 89-01	FILTER COVER		1	
3	590 40 04-01	SEALING COLLAR		1	
4	590 42 98-01	FILTER		1	
5	590 41 55-01	MOTOR	230 V	1	
5	590 41 57-01	MOTOR	120 V	1	
6	590 45 15-01	SEAL KIT		1	5
7	590 39 69-01	MOTOR KIT	230 V	1	5
7	591 92 18-01	MOTOR	120 V	1	5
8	590 41 53-01	HOUR METER		1	
9	590 41 56-01	COVER		1	
10	590 44 90-01	COVER PLATE		1	
11	591 85 96-01	HOOD		1	
12	590 47 68-01	COVER LID		1	
13	590 47 72-01	COVER LID		1	
14	590 40 25-01	CABLE GROMMET	230V	1	
14	590 39 95-01	CABLE GROMMET	120V	1	
15	593 71 74-03	POWER CORD	EU	1	
15	593 71 74-02	POWER CORD	AUS	1	
15	593 71 74-08	POWER CORD	US	1	
16	590 39 67-01	MANOMETER		1	
17	590 39 63-01	ELECTRICAL SYSTEM	230 V	1	
17	597 15 17-01	SOCKET	AUS	1	
18	590 40 30-01	SWITCH		1	
19	590 47 70-01	CHASSIS		1	
20	596 95 69-01	DIAGRAM	EU/AUS/BR/DK	1	
20	596 95 69-03	DIAGRAM	US	1	

C D 10
FRAME



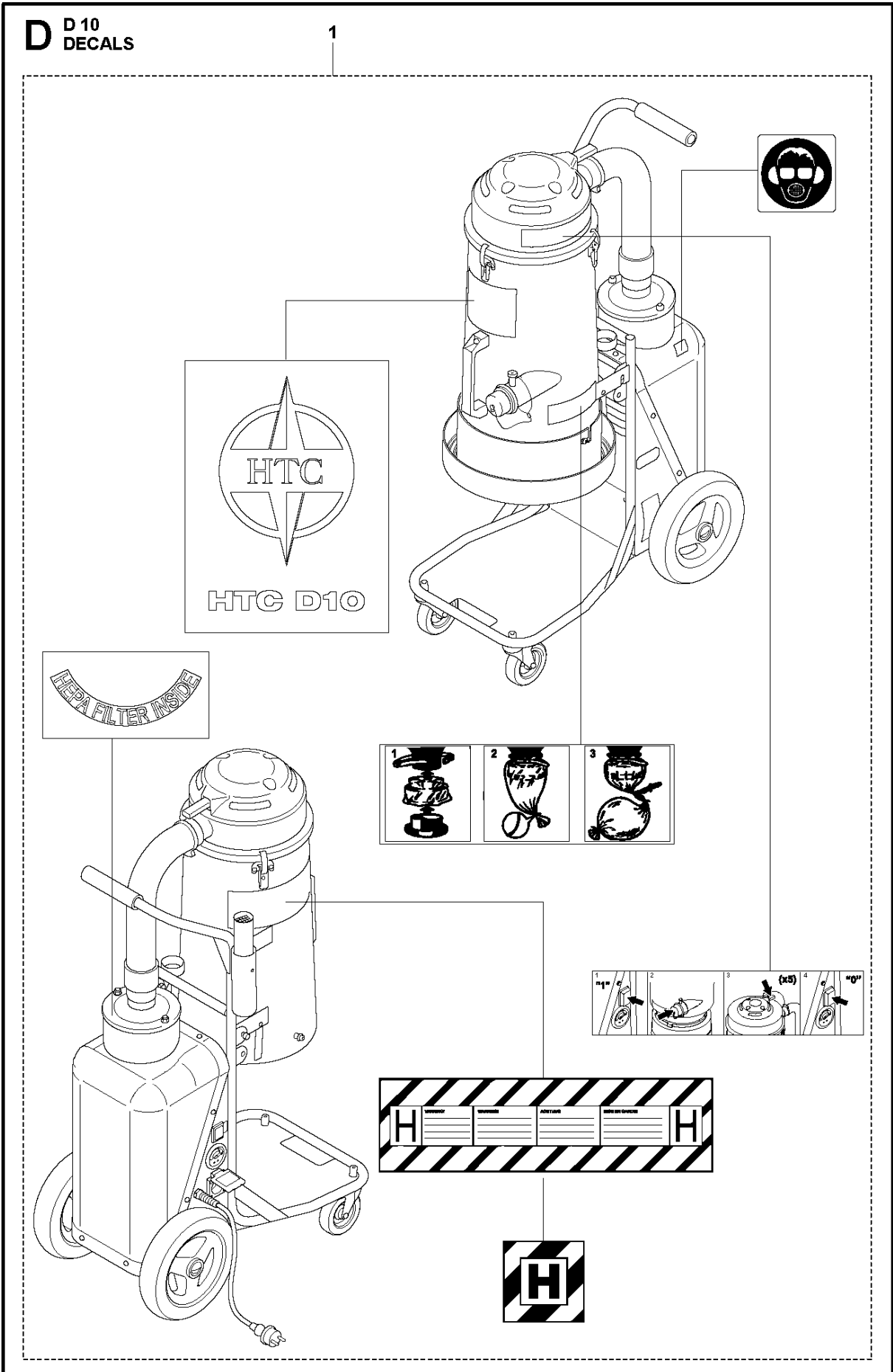
FRAME

D 10, 2019-01

Ref	Part No	Description	Remark	QTY KIT
1	590 42 60-01	CLIP		1
2	596 91 28-03	HANDLE		1
3	590 39 70-01	REAR WHEEL		2
4	590 39 92-01	FRAME		1
5	590 39 72-01	WHEEL KIT		2

D D 10
DECALS

1

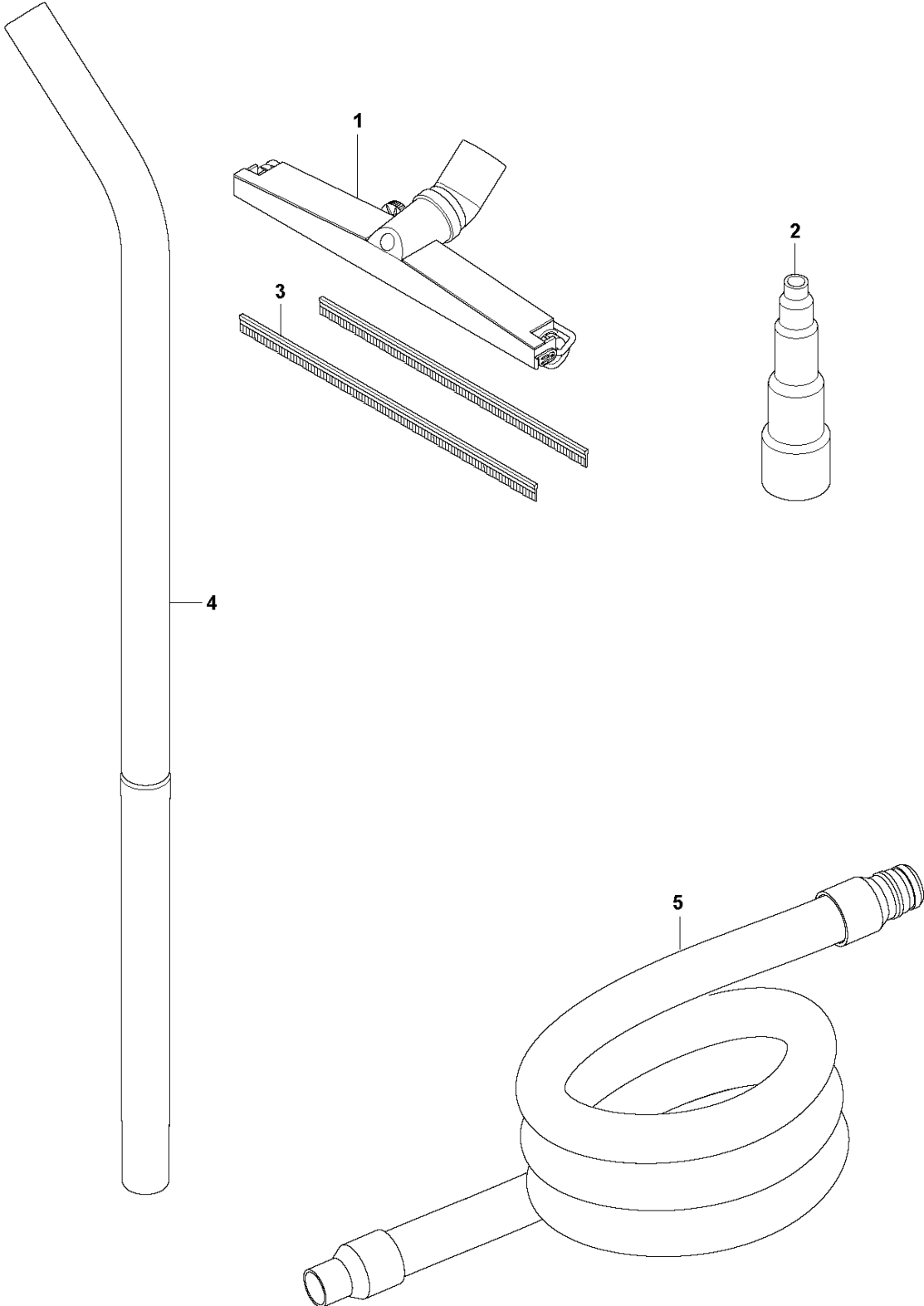


DECALS

D 10, 2019-01

Ref	Part No	Description	Remark	QTY KIT
1	597 39 09-01	DECAL KIT		1

E D 10
ACCESSORIES



ACCESSORIES

D 10, 2019-01

Ref	Part No	Description	Remark	QTY KIT
1	591 99 27-01	NOZZLE		1
2	594 95 69-01	ADAPTER		1
3	591 68 76-01	STRIP		1
4	590 42 86-01	TOOL		1
5	590 43 72-01	HOSE		1