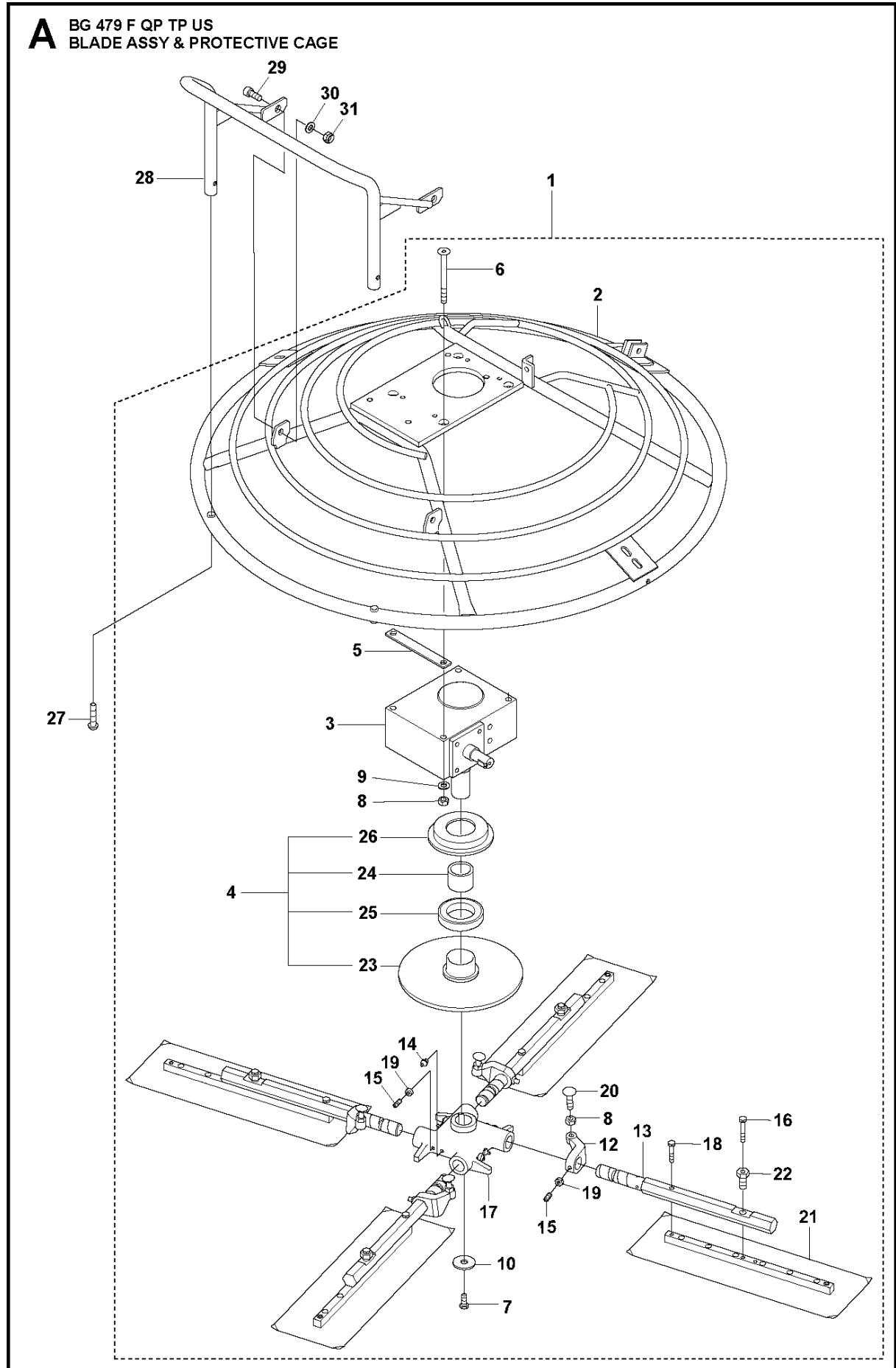




SPARE PARTS LIST

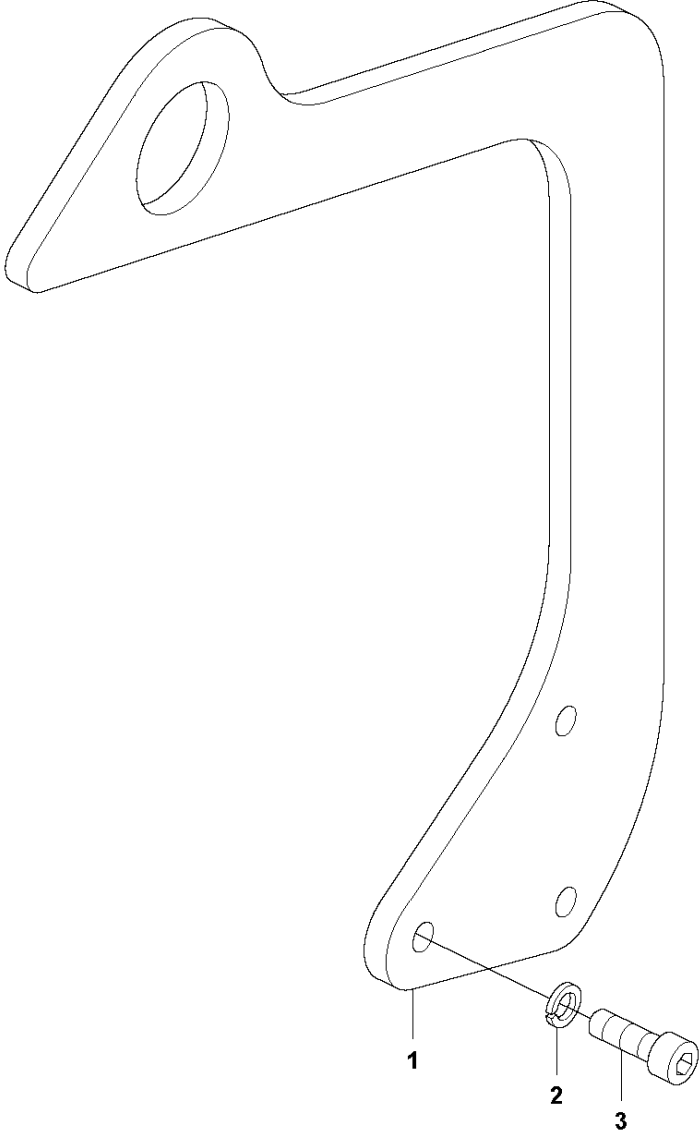
TROWELS

BG 479 F QP TP US, 967859201,
967859202, 2019-06



| Ref | Part No | Description | Remark | QTY KIT | |
|-----|--------------|--------------------|-----------------------------|---------|------|
| 1 | 595 29 92-01 | UNIT | | 1 | |
| 2 | 595 29 84-01 | CHASSIS | | 1 | 1 |
| 3 | 594 22 66-01 | GEARBOX | | 1 | 1 |
| 4 | 595 13 66-01 | PLATE | | 1 | |
| 5 | 595 44 37-01 | PLATE | | 1 | 1 |
| 6 | 594 28 79-01 | SOCKET | M10x110 DIN7991-10.9 ZnB | 1 | |
| 7 | 595 34 52-01 | BOLT | M12x20 DIN933-8.8 zn | 1 | 1 |
| 8 | 595 02 94-01 | NUT | M10 DIN934-8 Zn | 8 | 1 |
| 9 | 595 11 33-01 | WASHER | M10 ISO7089 A2K | 4 | 1 |
| 10 | 594 12 40-01 | WASHER | 13x36x6 fzb | 1 | 1 |
| 12 | 594 24 60-01 | ARM | | 4 | 1 |
| 13 | 594 77 74-01 | SHAFT | | 4 | 1 |
| 14 | 594 12 68-01 | LUBRICATION NIPPLE | | 4 | 1 |
| 15 | 594 28 60-01 | SCREW | M8x20 ISO4028 | 8 | 1 |
| 16 | 595 28 71-01 | SCREW | M8x50 ISO4014 8.8 A2K | 4 | 1 |
| 17 | 594 24 03-01 | HUB | | 1 | 1 |
| 18 | 595 03 35-01 | SCREW | M8x40 ISO4014 8.8 A2K | 4 | 1 |
| 19 | 595 35 17-01 | NUT | M8 DIN439 b zn | 8 | 1 |
| 20 | 595 35 08-01 | BOLT | M10x40 DIN603-8.8 ZnB | 4 | 1 |
| 21 | 594 23 68-01 | BLADE | Blade | 4 | 1 |
| 22 | 594 24 75-01 | SCREW | | 4 | |
| 23 | 594 24 17-01 | PRESSURE PLATE | | 1 | 1, 4 |
| 24 | 594 22 68-01 | BEARING | | 1 | 1, 4 |
| 25 | 595 03 81-01 | BEARING | | 1 | 1, 4 |
| 26 | 594 24 86-01 | BEARING PLATE | | 1 | 1, 4 |
| 27 | 595 21 24-01 | SOCKET | M10x40 ISO7380 10.9 Zn | 2 | |
| 28 | 595 29 76-01 | HANDLE | | 1 | |
| 29 | 595 11 13-01 | SCREW | M10x25 8.8 A3K ISO4762 | 2 | |
| 30 | 595 11 33-01 | WASHER | M10 ISO7089 A2K | 2 | |
| 31 | 595 18 34-01 | NUT | M10 DIN985 | 2 | |

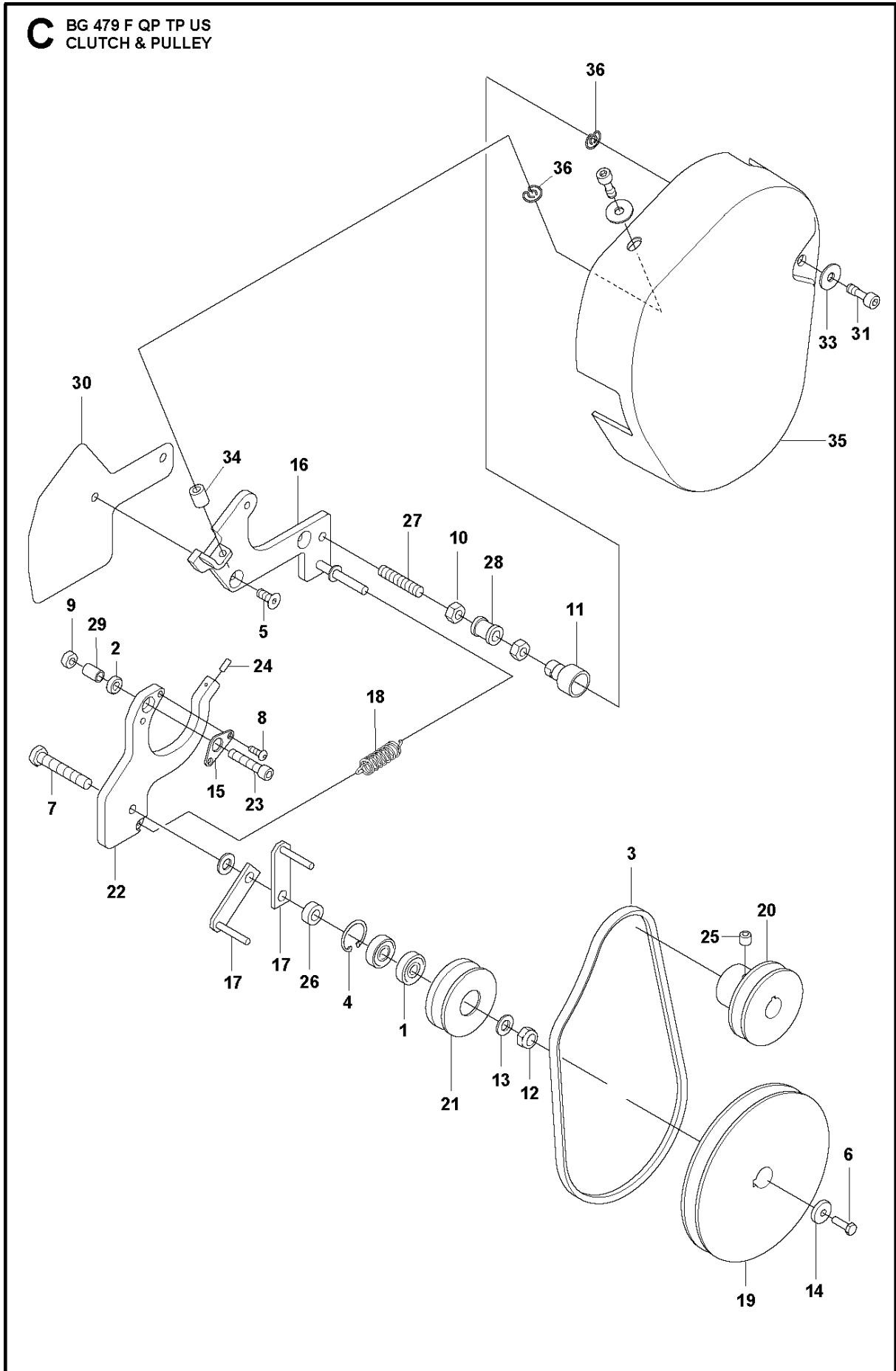
B BG 479 F QP TP US
LIFTING BEAM



LIFTING BEAM

BG 479 F QP TP US, 967859201, 967859202, 2019-06

| Ref | Part No | Description | Remark | QTY KIT |
|-----|--------------|-------------|-----------------------|---------|
| 1 | 595 29 77-01 | HANDLE | | 1 |
| 2 | 594 12 07-01 | SCREW | M10x30 8.8 DIN912 FZB | 3 |
| 3 | 595 11 38-01 | WASHER | M10 DIN127B A2K | 3 |

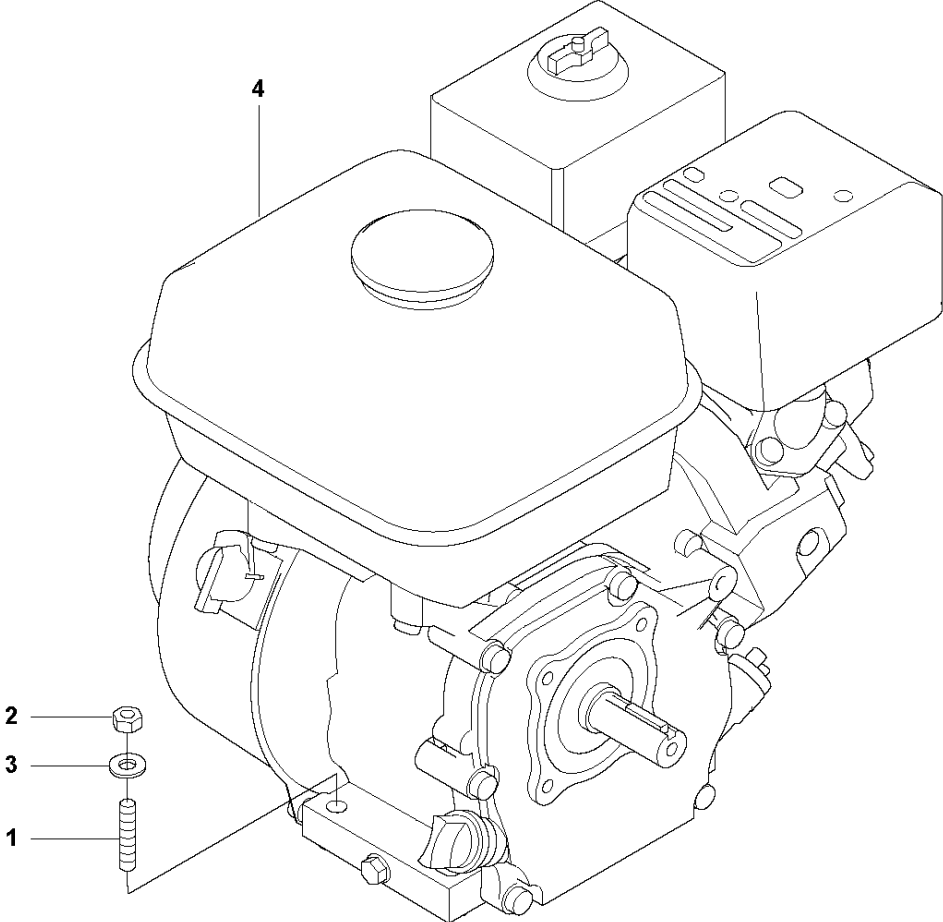


CLUTCH & PULLEY

BG 479 F QP TP US, 967859201, 967859202, 2019-06

| Ref | Part No | Description | Remark | QTY KIT |
|-----|--------------|----------------|-----------------------------|---------|
| 1 | 594 53 13-01 | BALL BEARING | SKF 6002-2RS1 | 2 |
| 2 | 594 64 11-01 | BEARING | | 1 |
| 3 | 594 64 17-01 | BELT | | 1 |
| 4 | 595 03 73-01 | RING | D 30 DIN472 | 1 |
| 5 | 595 35 01-01 | SOCKET | M8x20 ISO10642 8.8 FZB | 2 |
| 6 | 595 10 98-01 | SCREW | M06x020H ISO4017 8.8 A2K | 1 |
| 7 | 595 34 49-01 | BOLT | M10x60 ISO4017 8.8 A3K | 1 |
| 8 | 595 21 16-01 | SCREW | M5x16 ISO7380 10.9 ZnB | 2 |
| 9 | 595 03 57-01 | NUT | M8 DIN934-8 Zn | 1 |
| 10 | 595 02 94-01 | NUT | M10 DIN934-8 Zn | 2 |
| 11 | 594 64 24-01 | HOLDER | | 1 |
| 12 | 595 18 34-01 | NUT | M10 DIN985 | 1 |
| 13 | 595 11 33-01 | WASHER | M10 ISO7089 A2K | 2 |
| 14 | 595 11 92-01 | WASHER | 6.4x22x4 | 1 |
| 15 | 594 86 43-01 | PLATE | | 1 |
| 16 | 595 50 03-01 | BELT COVER | | 1 |
| 17 | 594 86 44-01 | PLATE | | 2 |
| 18 | 594 24 95-01 | SPRING | | 1 |
| 19 | 595 50 11-01 | PULLEY | | 1 |
| 20 | 594 64 22-01 | PULLEY | | 1 |
| 21 | 594 86 45-01 | PULLEY | | 1 |
| 22 | 595 50 12-01 | ROCKER LEVER | | 1 |
| 23 | 595 50 18-01 | SCREW | | 1 |
| 24 | 594 28 62-01 | SCREW | M5x12 45H ISO4028 | 1 |
| 25 | 595 34 67-01 | SCREW | M8x8 ISO4029 45H ZnB | 2 |
| 26 | 594 15 96-01 | WASHER | 10.5/20X8 | 1 |
| 27 | 595 21 27-01 | ROD | M10x68 DIN976-8.8 ZnB | 1 |
| 28 | 595 50 16-01 | TUBE | | 1 |
| 29 | 595 50 17-01 | TUBE | | 1 |
| 30 | 595 50 04-01 | PLATE | | 1 |
| 31 | 594 64 25-01 | SCREW | | 2 |
| 33 | 594 12 37-01 | WASHER | M8 DIN9021 (8.4x25x2)FZB | 2 |
| 34 | 594 86 75-01 | BUSHING | | 1 |
| 35 | 595 27 83-01 | BELT COVER | | 1 |
| 36 | 594 65 02-01 | LOCKING SPRING | | 2 |

D BG 479 F QP TP US
ENGINE

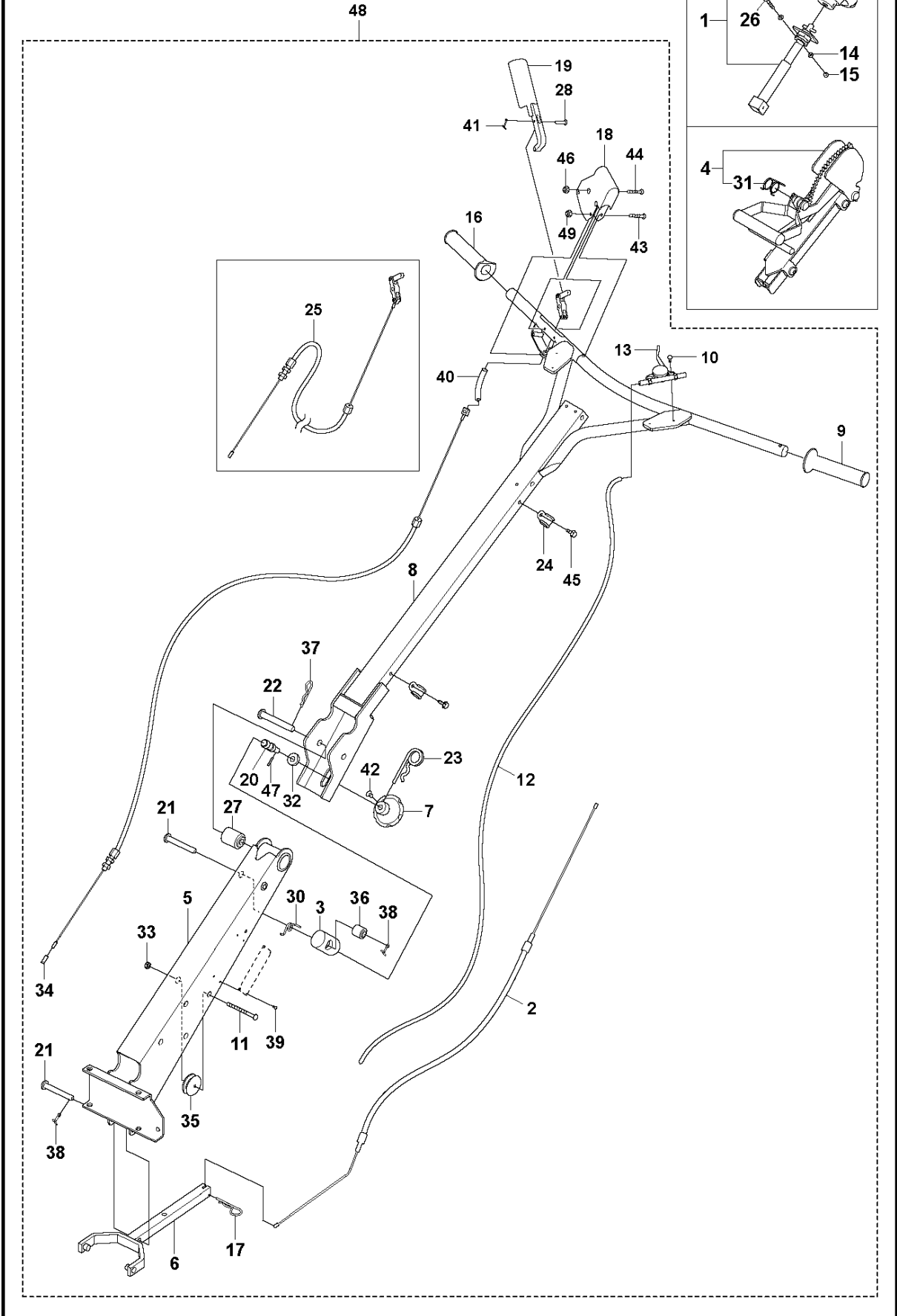


ENGINE

BG 479 F QP TP US, 967859201, 967859202, 2019-06

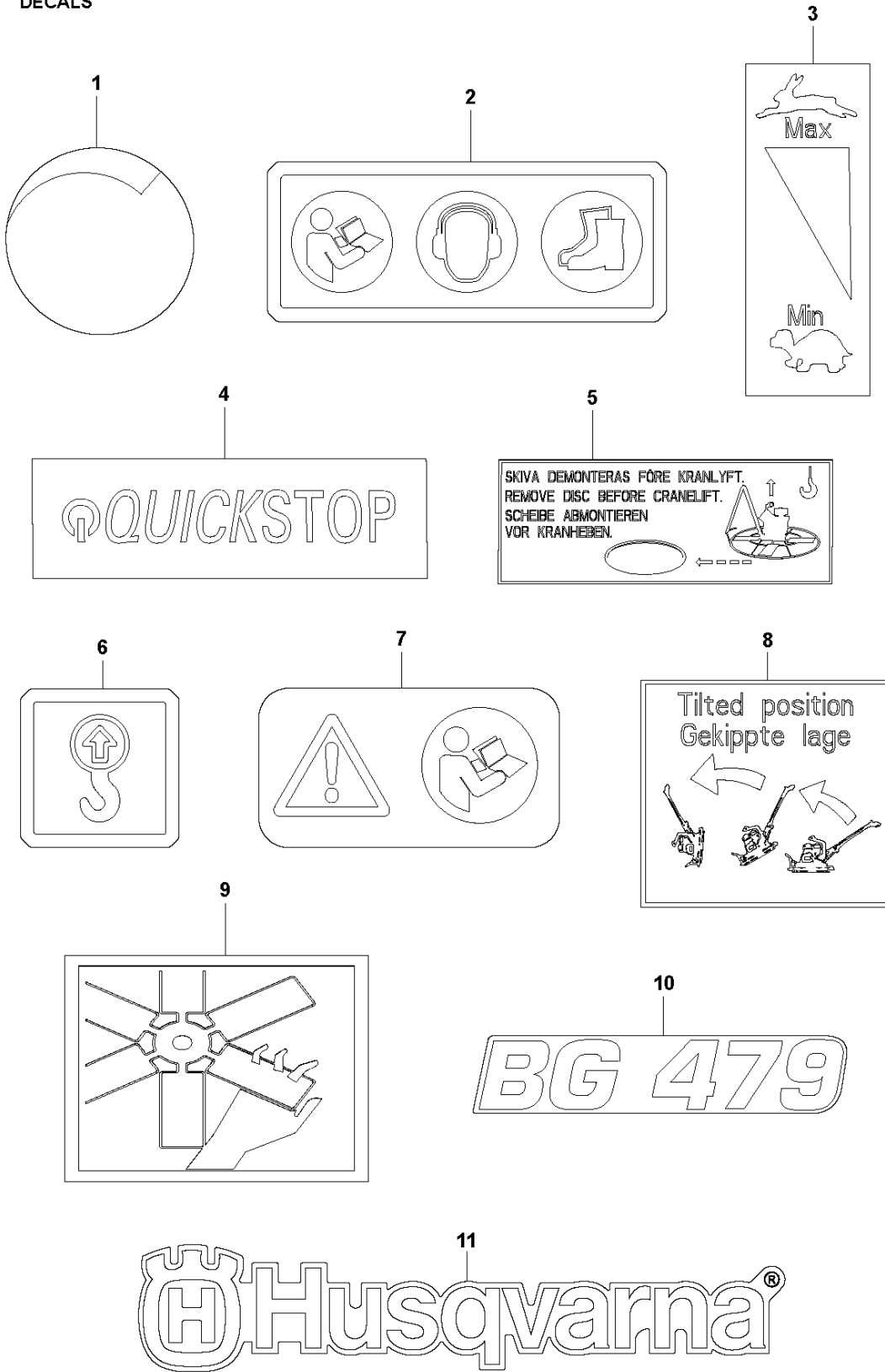
| Ref | Part No | Description | Remark | QTY KIT |
|-----|--------------|-------------|-------------------------------|---------|
| 1 | 595 35 87-01 | SCREW | M10x45 DIN939 Fo 8.8 zn | 4 |
| 2 | 595 02 94-01 | NUT | M10 DIN 934-8 Zn | 4 |
| 3 | 595 18 26-01 | WASHER | M10 DIN6796 ZnB | 4 |
| 4 | 594 35 23-01 | ENGINE | Honda GX270UT2 SWS4 SD NH1 | 1 |

E BG 479 F QP TP US
HANDLE



| Ref | Part No | Description | Remark | QTY | KIT |
|-----|--------------|---------------|---------------------------------------|-----|-----|
| 1 | 594 19 84-01 | BLADE | Blade Adjuster, Complete | 1 | |
| 2 | 594 63 91-01 | WIRE | Blade adjuster cable | 1 | 48 |
| 3 | 594 86 59-01 | BUSHING | | 1 | 48 |
| 4 | 595 52 62-01 | UNIT | Blade Adjuster, Quick pitch, Complete | 1 | |
| 5 | 595 29 80-01 | CONSOLE | | 1 | 48 |
| 6 | 594 24 38-01 | FORK | | 1 | 48 |
| 7 | 594 64 14-01 | HANDLE | | 1 | 48 |
| 8 | 595 29 86-01 | HANDLE | | 1 | 48 |
| 9 | 594 22 33-01 | HANDLE | | 1 | 48 |
| 10 | 595 21 16-01 | SCREW | M5x16 ISO7380 10.9 ZnB | 2 | 48 |
| 11 | 594 11 78-01 | BOLT | M6x70 8.8 ISO4014 A2K | 1 | 48 |
| 12 | 594 63 93-01 | THROTTLE | Throttle cable | 1 | 48 |
| 13 | 594 22 41-01 | CONTROL LEVER | | 1 | 48 |
| 14 | 594 12 38-01 | PLANE WASHER | M5 ISO7089 200HV A2K | 6 | |
| 15 | 595 11 24-01 | NUT | M5 DIN985-8 Zn | 3 | |
| 16 | 594 86 62-01 | HANDLE | | 1 | 48 |
| 17 | 594 11 75-01 | SPRING PIN | | 1 | 48 |
| 18 | 595 27 93-01 | LEVER | | 1 | 48 |
| 19 | 595 27 58-01 | COVER | | 1 | 48 |
| 20 | 594 64 12-01 | STUD | | 1 | 48 |
| 21 | 595 10 96-01 | PIN | 10x70 ISO2341 type B ZnB | 2 | 48 |
| 22 | 595 21 07-01 | CLEVIS PIN | 12x80 ISO2341 type B ZnB | 1 | 48 |
| 23 | 594 86 60-01 | CLIP | D4 DIN11024 Zn | 1 | 48 |
| 24 | 595 11 46-01 | PIPE CLAMP | | 2 | 48 |
| 25 | 597 92 33-03 | CABLE ASSY | Clutch cable, complete | 1 | 48 |
| 26 | 595 21 17-01 | SCREW | M5x40 ISO7380 10.9 Zn | 3 | 48 |
| 27 | 594 86 37-01 | SLEEVE | | 1 | 48 |
| 28 | 594 64 13-01 | CLEVIS PIN | 4x14 ISO2341 Zn | 1 | 48 |
| 29 | 594 24 57-01 | KNOB | | 1 | 1 |
| 30 | 594 63 88-01 | SPRING | | 1 | 48 |
| 31 | 595 49 99-01 | SPRING | | 1 | 4 |
| 32 | 594 86 61-01 | SUPPORT | | 2 | 48 |
| 33 | 595 18 71-01 | NUT | M6 DIN985-8 Zn | 1 | 48 |
| 34 | 594 25 77-01 | TERMINAL | | 1 | 48 |
| 35 | 594 86 36-01 | PULLEY | | 1 | 48 |
| 36 | 594 86 38-01 | SLEEVE | | 1 | 48 |
| 37 | 594 11 74-01 | CLIP | | 1 | 48 |
| 38 | 594 11 73-01 | SPLIT PIN | 3.2x20 ISO1234 A2K | 2 | 48 |
| 39 | 595 34 40-01 | RIVET | POP RIVET D2,4X8,6 | 4 | 48 |
| 40 | 594 86 52-01 | JOINT | | 1 | 48 |
| 41 | 595 03 30-01 | PIN | 1x8 ISO1234 | 1 | 48 |
| 42 | 594 75 06-01 | SCREW | M5x8 DIN 7991 | 1 | 48 |
| 43 | 595 52 63-01 | SCREW | M5x30 ISO7380 Zn | 2 | 48 |
| 44 | 595 50 05-01 | SCREW | M4x30 ISO7380 Zn | 2 | 48 |
| 45 | 595 35 58-01 | SCREW | 4.8x16 DIN7504K Zn | 2 | 48 |
| 46 | 595 35 19-01 | LOCK NUT | M4 DIN985-8 Zn | 2 | 48 |
| 47 | 595 10 94-01 | PIN | 4x24 ISO8752 | 1 | 48 |
| 48 | 595 29 91-01 | HANDLE | Handle, complete | 1 | |
| 49 | 595 11 24-01 | NUT | M5 DIN985-8 Zn | 2 | 48 |

F BG 479 F QP TP US
DECALS

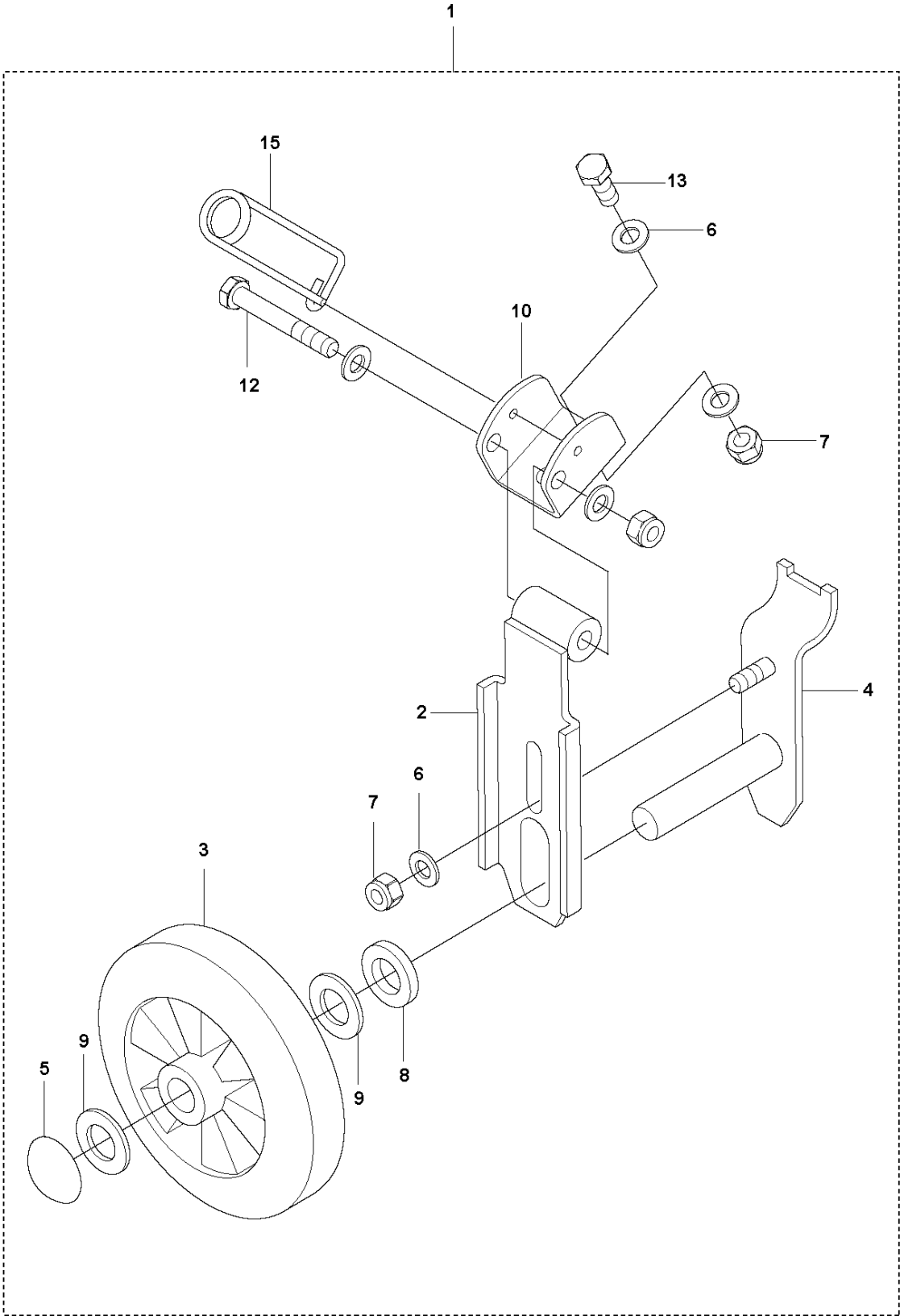


DECALS

BG 479 F QP TP US, 967859201, 967859202, 2019-06

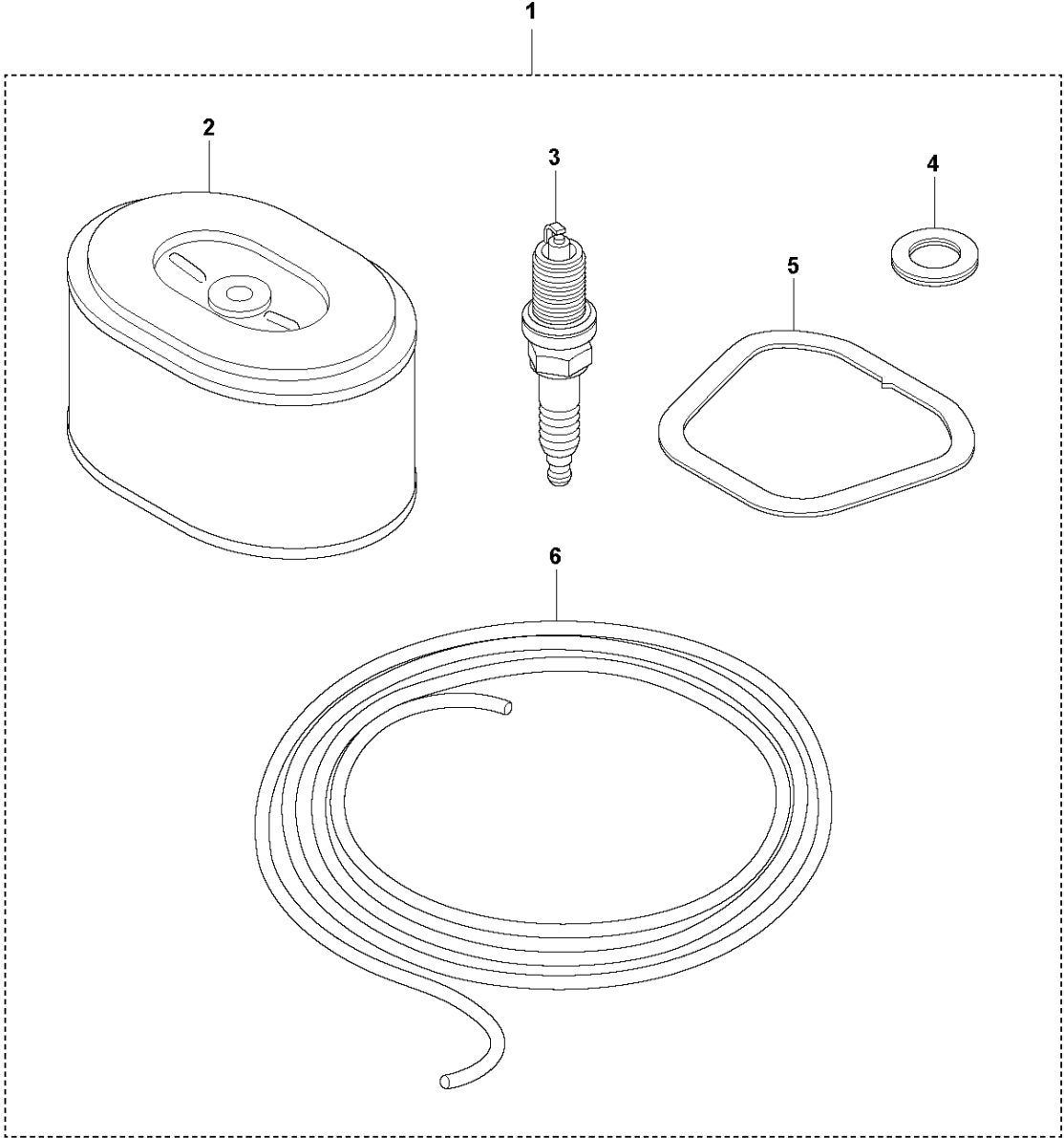
| Ref | Part No | Description | Remark | QTY KIT |
|-----|--------------|-------------|--------------------------|---------|
| 1 | 594 24 58-01 | DECAL | DECAL Blade Angle | 1 |
| 2 | 594 65 96-01 | LABEL | Safety | 1 |
| 3 | 595 21 13-01 | DECAL | | 1 |
| 4 | 595 11 91-01 | DECAL | | 1 |
| 5 | 594 24 59-01 | DECAL | Remove Floating Disc | 1 |
| 6 | 594 66 09-01 | LABEL | Lifting Point | 1 |
| 7 | 594 86 97-01 | LABEL | Safety, Read instruction | 1 |
| 8 | 595 21 12-01 | DECAL | | 1 |
| 9 | 594 16 30-01 | DECAL | Cutting Hazard | 1 |
| 10 | 595 09 75-01 | DECAL | Brand | 2 |
| 11 | 577 06 20-01 | DECAL | Husqvarna logo | 1 |

G BG 479 F QP TP US
TRANSPORT DEVICE KIT



| Ref | Part No | Description | Remark | QTY KIT | |
|-----|--------------|------------------|---------------------------|---------|---|
| 1 | 594 75 15-01 | TRANSPORT WHEEL | Transport device kit | 1 | |
| 2 | 595 50 27-01 | ARM | | 1 | 1 |
| 3 | 596 86 59-53 | WHEEL | | 1 | 1 |
| 4 | 595 12 28-01 | BRACKET | | 1 | 1 |
| 5 | 594 76 89-01 | WASHER | | 1 | 1 |
| 6 | 595 11 33-01 | WASHER | M10 ISO 7089 A2K 200 HV | 7 | 1 |
| 7 | 594 12 29-01 | LOCK NUT | M10 ISO 10511 | 4 | 1 |
| 8 | 594 12 43-01 | WASHER | M20 DIN 6796 FZM-Y | 1 | 1 |
| 9 | 596 86 59-57 | WASHER | M20 ISO 7090 FZV 200HB | 2 | 1 |
| 10 | 595 52 65-01 | ATTACHMENT PLATE | | 1 | 1 |
| 12 | 596 88 97-10 | SCREW | M10 x 70 DIN 931 - 8.8 zn | 1 | 1 |
| 13 | 595 07 11-01 | SCREW | M10x25 CL8.8 DIN933 | 2 | 1 |
| 15 | 594 16 18-01 | PIN | | 1 | 1 |

H BG 479 F QP TP US
SERVICE KIT

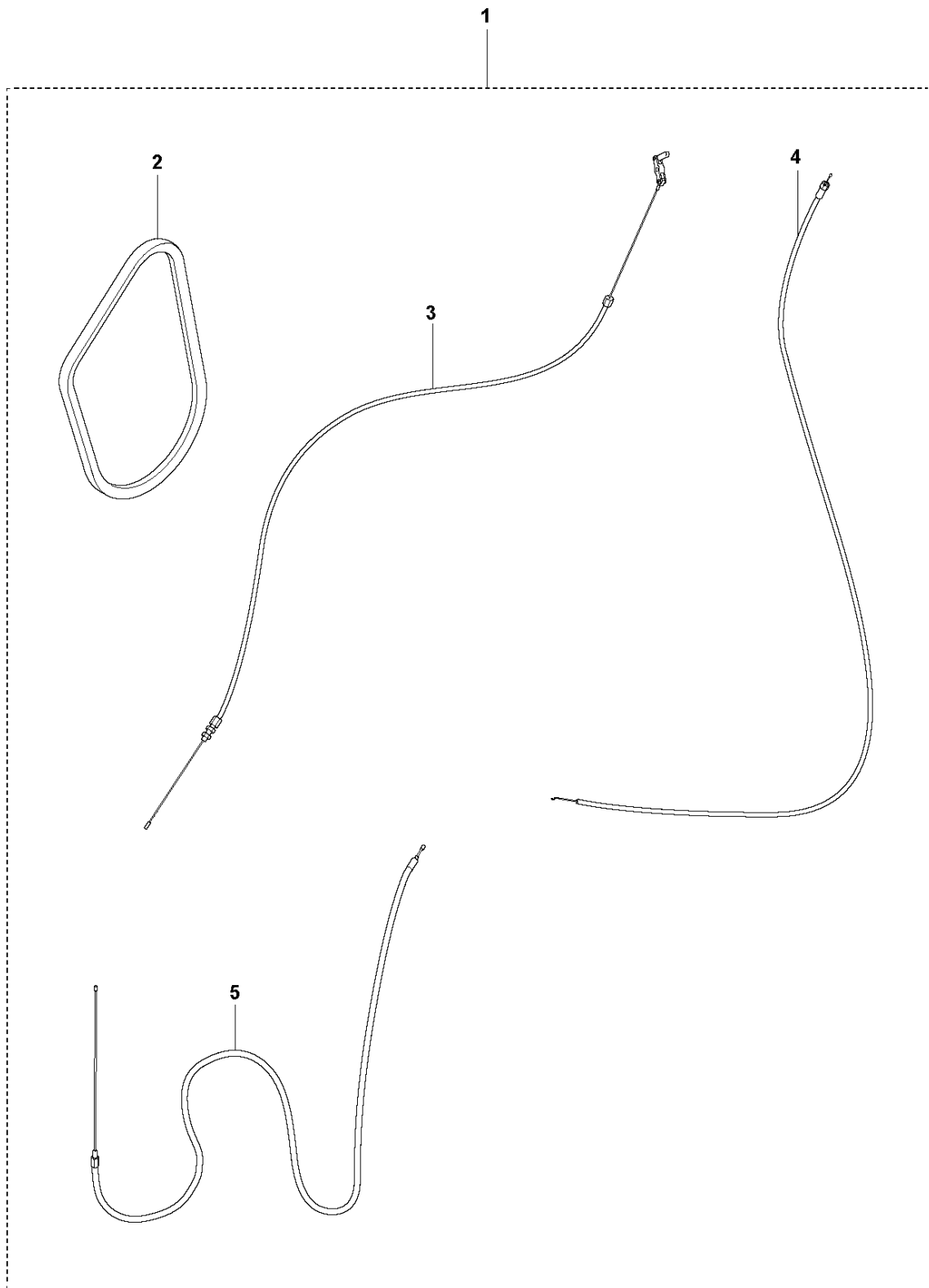


SERVICE KIT

BG 479 F QP TP US, 967859201, 967859202, 2019-06

| Ref | Part No | Description | Remark | QTY KIT | |
|-----|--------------|-------------|--------------|---------|---|
| 1 | 594 20 04-01 | SERVICE KIT | | 1 | |
| 2 | 594 57 51-01 | AIR FILTER | | 1 | 1 |
| 3 | 594 54 43-01 | SPARK PLUG | BPR6ES (NGK) | 1 | 1 |
| 4 | 595 04 89-01 | GASKET | | 1 | 1 |
| 5 | 594 76 03-01 | GASKET | | 1 | 1 |
| 6 | 595 04 91-01 | ROPE | | 1 | 1 |

J BG 479 F QP TP US
MAINTENANCE KIT



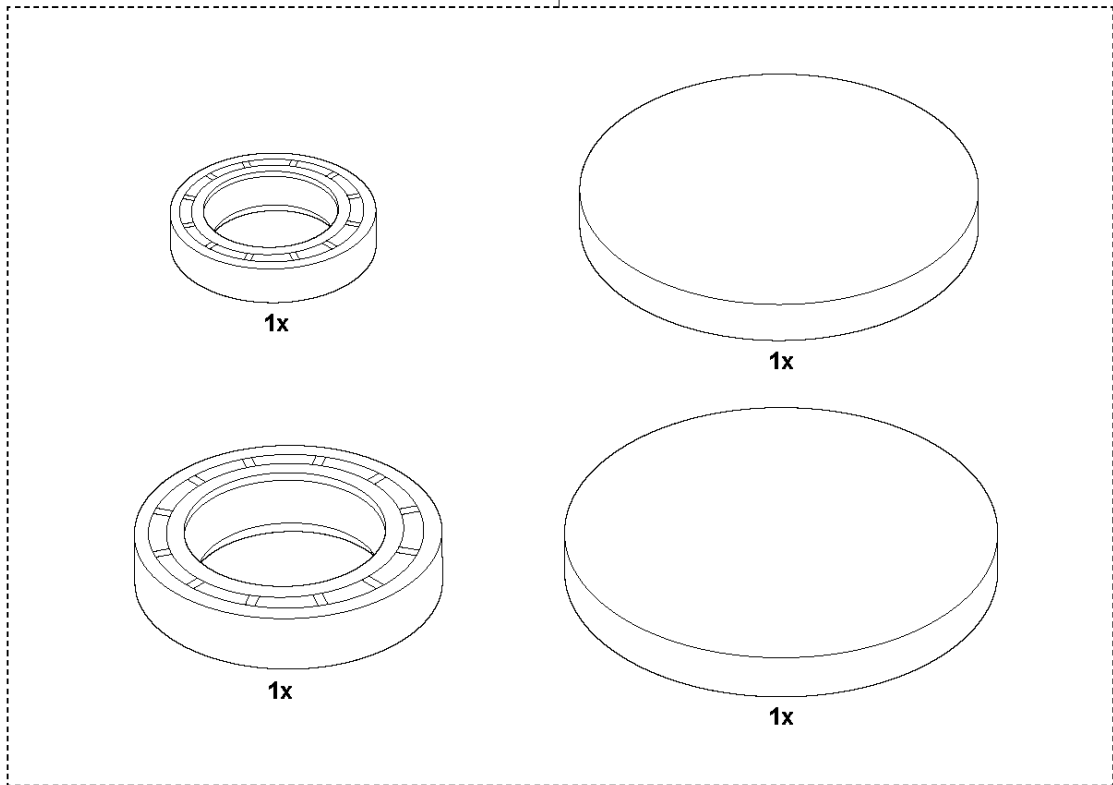
MAINTENANCE KIT

BG 479 F QP TP US, 967859201, 967859202, 2019-06

| Ref | Part No | Description | Remark | QTY KIT | |
|-----|--------------|-------------|------------------------|---------|---|
| 1 | 595 19 42-01 | SERVICE KIT | | 1 | |
| 2 | 594 64 17-01 | BELT | | 1 | 1 |
| 3 | 594 63 93-01 | THROTTLE | Throttle cable | 1 | 1 |
| 4 | 597 92 33-03 | CABLE ASSY | Clutch cable, complete | 1 | 1 |
| 5 | 594 63 91-01 | WIRE | Blade adjuster cable | 1 | 1 |

K BG 479 F QP TP US
GEARBOX SEAL KIT

1



GEARBOX SEAL KIT

BG 479 F QP TP US, 967859201, 967859202, 2019-06

| Ref | Part No | Description | Remark | QTY KIT |
|-----|--------------|-------------|----------------------------------|---------|
| 1 | 594 20 69-01 | SEAL | Gearbox seal kit (seals & plugs) | 1 |