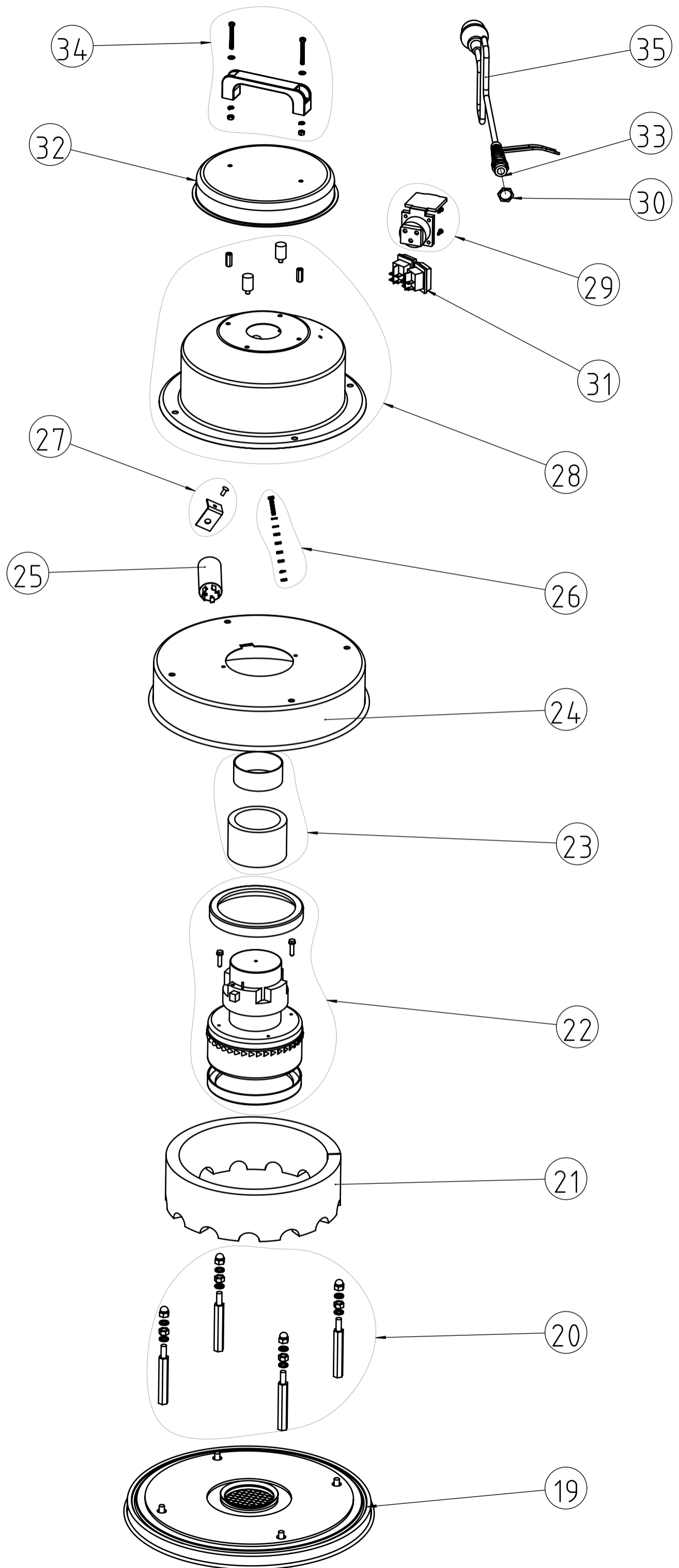


| <b>POS</b> | <b>QTY</b> | <b>P.E Article Number</b><br>(valid until 2018-02-28) | <b>HVA Article Number</b><br>(valid from 2017-11-27) | <b>DESCRIPTION</b>   |
|------------|------------|---|--|----------------------|
| 1          | 1          | 1221004   | 591606501  | WET PICK-UP          |
| 2          | 1          | 1331007   | 591666201  | COLLECTING BASKET    |
| 3          | 1          | 1342003   | 591694801  | HANDLE               |
| 4          | 1          | 200700387   | 591916601  | CABLE INLET, KIT     |
| 5          | 1          | 200700388   | 591910701  | TANK, KIT            |
| 6          | 2          | 1360165   | 591768901  | FINGER SCREW         |
| 7          | 2          | 200700389   | 591910501  | WHEEL, KIT           |
| 8          | 1          | 1342069   | 591695701  | TROLLEY              |
| 9          | 1          | 200700390   | 591912801  | FRONT WHEEL, KIT     |
| 10         | 1          | 200700391   | 591938001  | SECURING PLATE, KIT  |
| 11         | 1          | 200700392   | 591910801  | TANK, COMPLETE       |
| 12         | 1          | 1344002   | 590435502  | TANK INLET, COMPLETE |
| 13         | 1          | 1344012   | 591293301  | SCOOP                |
| 14         | 3          | 200600799   | 590402701  | HOLDER, KIT          |
| 15         | 1          | 1362071   | 591790301  | PLUG (GROUNDED)      |
| 16         | 1          | 1347011   | 591704501  | PUMP                 |
| 17         | 1          | 200700393   | 591964201  | CHECK VALVE          |
| 18         | 1          | 1349122   | 591739301  | HOSE COUPLING        |
|            |            |   |  |                      |



| <b>POS</b> | <b>QTY</b> | <b>P.E Article Number</b><br>(valid until 2018-02-28) | <b>HVA Article Number</b><br>(valid from 2017-11-27) | <b>DESCRIPTION</b>            |
|------------|------------|---|--|-------------------------------|
| 19         | 1          | 200700394   | 591920201  | CAN CAP, COMPLETE             |
| 20         | 1          | 200700311   | 591276301  | SPACER, KIT                   |
| 21         | 1          | 1351157   | 591523801  | SOUND INSULATION              |
| 22         | 1          | 200700312   | 591912901  | ENGINE, COMPLETE              |
| 23         | 1          | 200700313   | 592228401  | SEALING, KIT                  |
| 24         | 1          | 200700314   | 590476102  | BLOWER CHAMBER, COMPLETE      |
| 25         | 1          | 1362165   | 591805601  | ELECTRICAL FILTER             |
| 26         | 1          | 200700315   | 591910201  | GROUND SCREW, KIT             |
| 27         | 1          | 200700316   | 592157201  | ELECTRICAL FILTER HOLDER, KIT |
| 28         | 1          | 200700320   | 591932101  | DOME, COMPLETE                |
| 29         | 1          | 200600408   | 590449901  | ELECTRICAL OUTLET KIT         |
| 30         | 1          | 1362055   | 591789901  | JAM NUT                       |
| 31         | 1          | 201100151   | 590403001  | SWITCH, KIT                   |
| 32         | 1          | 200700319   | 590471001  | CAP, COMPLETE                 |
| 33         | 1          | 1362132   | 591794701  | CABLE FIX                     |
| 34         | 1          | 200700318   | 591250201  | HANDLE, KIT                   |
| 35         | 1          | 1361023   | 591843501  | CORD SET                      |