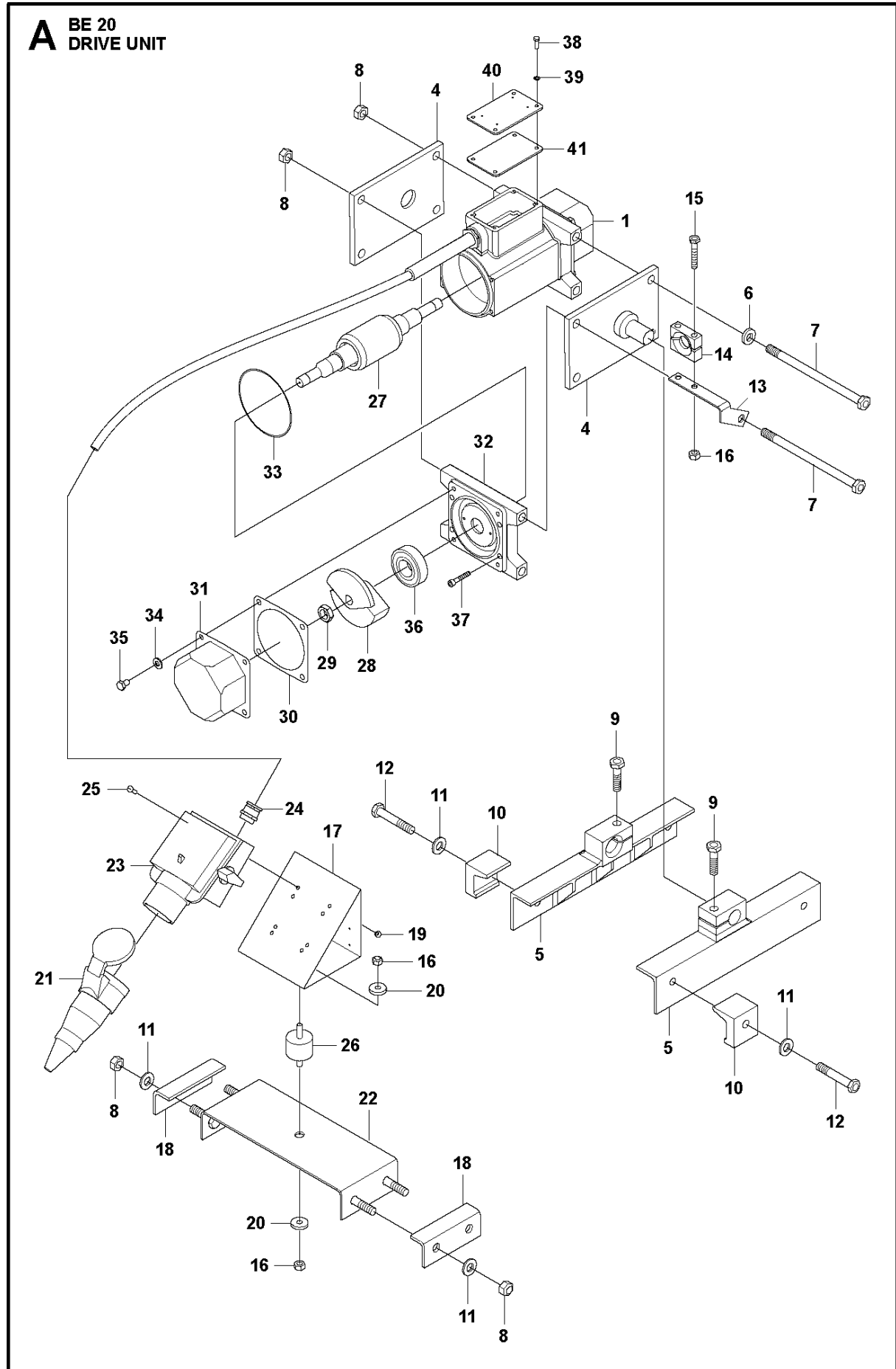




# SPARE PARTS LIST

DRIVE UNITS

BE 20, 967956401, 2019-06

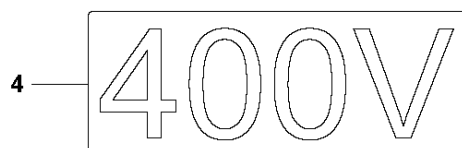
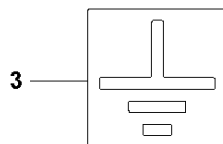
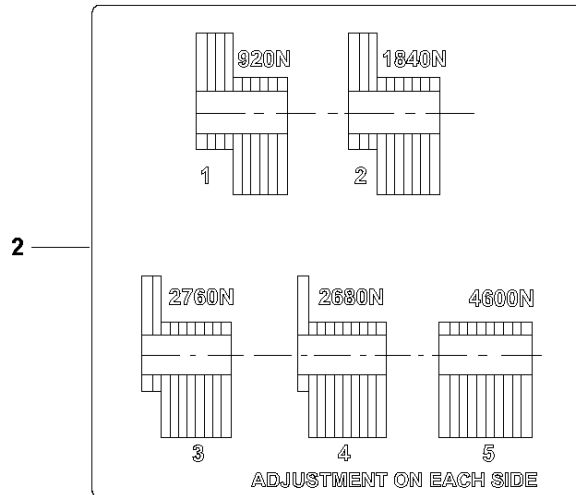


## DRIVE UNIT

BE 20, 967956401, 2019-06

Ref	Part No	Description	Remark	QTY KIT	
1	594 96 12-01	DAMPER	400V-3-50Hz	1	
4	595 47 54-01	HOLDER		2	
5	595 47 53-01	HOLDER		2	
6	595 18 20-01	WASHER		3	
7	595 46 99-01	SCREW	M12x200 8.8 ISO4014	4	
8	595 11 27-01	NUT	M12 ISO10511 8 A3K	8	
9	595 05 55-01	SCREW	M12x45 ISO4014 8.8 A3K	2	
10	594 69 21-01	HOLDER		4	
11	595 11 34-01	WASHER	M12 ISO7089 200HV A2K	8	
12	595 88 76-01	SCREW	M12x70 ISO4014 8.8 A3K	4	
13	595 44 30-01	PLATE		1	
14	595 13 73-01	CLAMP		1	
15	595 28 71-01	SCREW	M8x50 ISO4014 8.8 A2K	2	
16	595 35 23-01	NUT	M8 ISO7040 8 A2K	4	
17	594 96 14-01	SWITCH		1	
18	594 77 88-01	ANGLE BRACKET		2	
19	595 35 22-01	LOCK NUT	M5 ISO7040 8 A2K	4	
20	595 11 29-01	WASHER		2	
21	594 60 03-01	PLUG		1	
22	595 19 97-01	HOLDER		1	
23	594 54 98-01	SWITCH		1	
24	595 16 68-01	SLEEVE		1	
25	595 18 05-01	SCREW	M5x16 DIN84A 4.8 Zn	4	
26	594 68 17-01	ABSORBER		1	
27	595 44 88-01	ROTOR		1	1
28	595 44 87-01	EXCENTER		20	1
29	594 79 21-01	NUT	M16x1.5 DIN439B	2	1
30	594 28 31-01	RING		2	1
31	594 95 86-01	COVER		2	1
32	596 76 08-01	FLANGE		2	1
33	594 79 29-01	O-RING	100x2 NBR 70 Shore	2	1
34	595 11 36-01	WASHER	M8 DIN6796 ZnB	8	1
35	596 88 97-07	SCREW	M8x12 ISO4017 8.8 A2K	8	1
36	594 27 18-01	BALL BEARING	6305 ZZ C3	2	1
37	594 12 03-01	SCREW	M6x35 ISO4762 8.8 FZB	8	1
38	595 05 36-01	SCREW	M5x16 ISO4017 8.8 A2K	4	
39	594 27 35-01	SPRING WASHER	M5 DIN6798A AZ	4	
40	596 76 09-01	COVER		1	
41	595 44 48-01	SEALING		1	

**B** BE 20  
DECALS



DECALS

BE 20, 967956401, 2019-06

Ref	Part No	Description	Remark	QTY KIT
1	596 76 19-01	DECAL		2
2	595 44 89-01	DIAGRAM		2
3	595 13 49-01	LABEL		1
4	595 13 85-01	LABEL		1