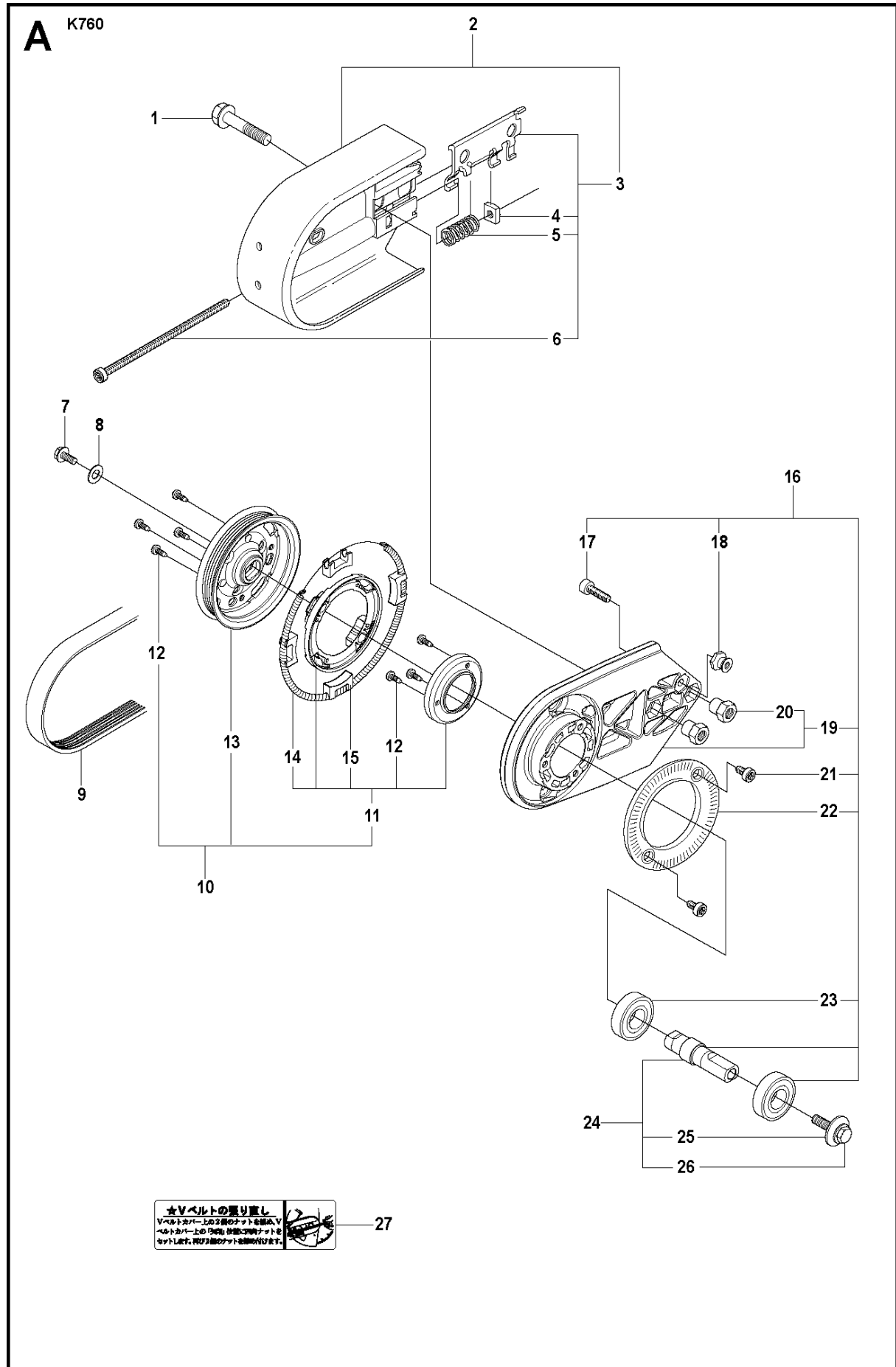




SPARE PARTS LIST

POWER CUTTERS

K760, 2011-08



BELT GUARD & PULLEY

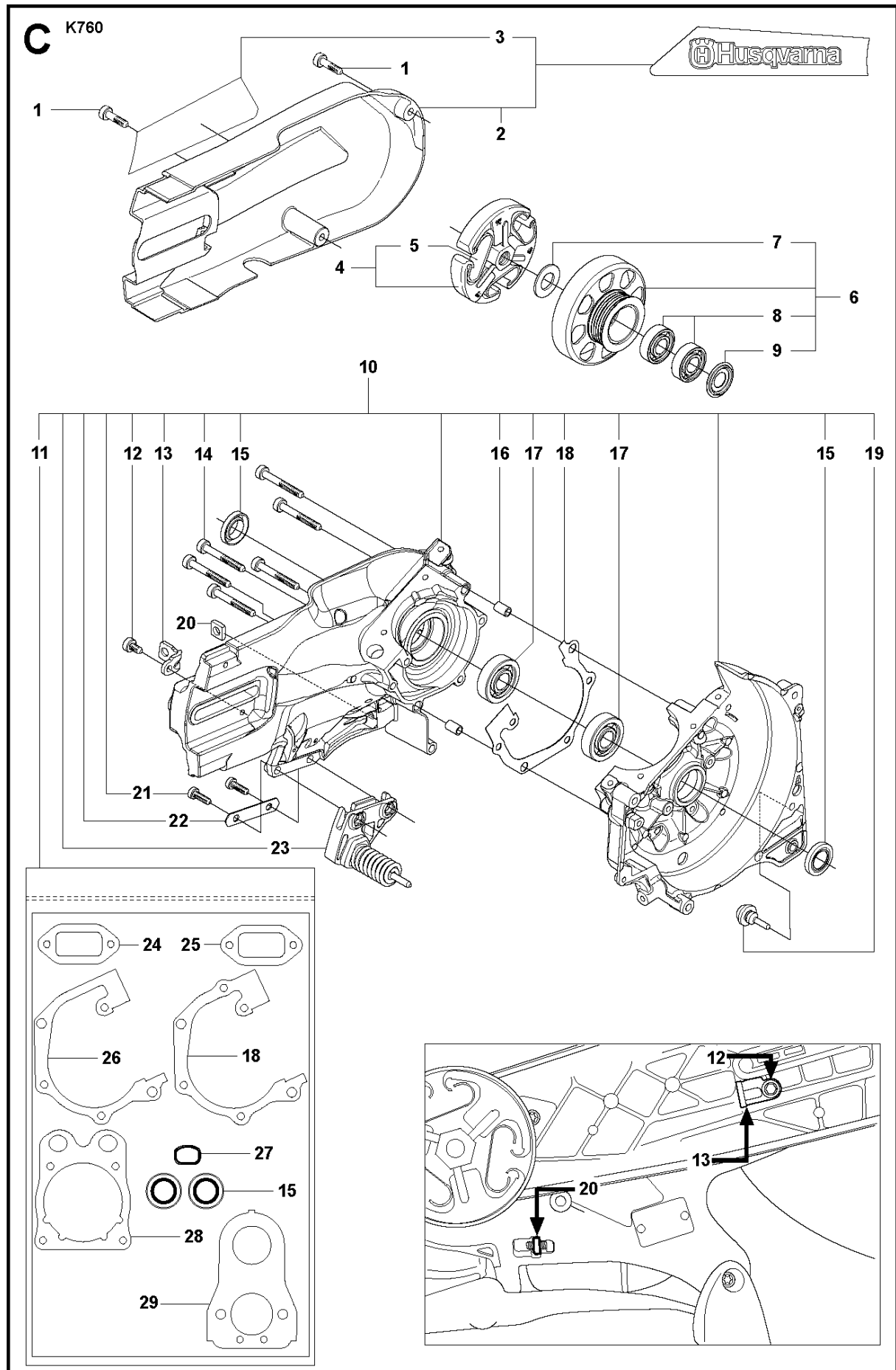
K760, 2011-08

Ref	Part No	Description	Remark	QTY KIT
1	506 28 44-01	SCREW EHHFM		2
2	506 39 36-02	BELT GUARD	Incl. 3	1
3	506 26 66-04	BELT TENSIONER ASSY	Incl. 4 - 6	1
4	506 40 93-01	NUT		1
5	506 26 68-01	COMPRESSION SPRING		1
6	503 20 72-05	SCREW CITXSCM		1
7	503 20 00-45	SCREW EHHFM		1
8	503 23 01-16	WASHER		1
9	544 90 84-02	BELT		1
10	504 03 70-07	PULLEY	Incl. 11 - 13	1
11	505 44 54-03	CASSETTE	Incl. 12, 14 - 15	1
12	503 21 28-10	SCREW CCRPANT		7
13	504 06 22-01	PULLEY		1
14	544 44 10-01	DRAW SPRING		1
15	544 44 04-02	BRAKE SHOE		4
16	506 39 42-08	BEARING HOUSING	Incl. 17 - 19, 21 - 23	1
17	505 57 41-16	SCREW ITXSCM		1
18	506 14 32-01	TORSION STOP		1
19	506 39 42-06	BEARING HOUSING	Incl. 20	1
20	506 28 73-01	NUT		2
21	503 21 53-10	SCREW ITXSCM		2
22	506 28 84-01	SCREEN		1
23	583 95 33-01	BALL BEARING		2
24	506 29 83-65	SHAFT	Incl. 25 - 26	1
25	506 13 95-11	WASHER		1
26	581 85 52-01	SCREW		1
27	506 30 97-05	LABEL	Japan only	1

WHEELS & TIRES

K760, 2011-08

Ref	Part No	Description	Remark	QTY KIT
1	506 34 05-42	BLADE GUARD	"12"" , Incl. 2 - 4"	1
1	506 34 05-44	BLADE GUARD	"14"" , Incl. 2 - 4"	1
2	503 21 53-20	SCREW ITXSCM		1
3	506 34 46-02	HANDLE		1
4	506 26 63-02	LINING		1
5	506 26 64-01	SCREEN		1
6	506 26 65-01	FLANGE		1
7	505 57 41-16	SCREW ITXSCM		3
8	506 32 48-01	SUPPORT FLANGE		1
9	506 02 87-01	FLANGE WASHER	Diam 105 mm	2
9	506 07 09-01	FLANGE WASHER	Diam 119 mm	2
10	506 37 96-20	KIT	Diam 20 mm	1
10	506 37 96-22	KIT	Diam 22,2 mm	1
10	506 37 96-25	KIT	Diam 25,4 mm	1
10	506 02 88-30	BUSHING	Diam 30,5 mm	1
11	506 28 41-04	LABEL	"12"" , Diam 1""	1
11	506 28 41-02	LABEL	"12"" , Diam 20 mm"	1
11	506 28 41-14	LABEL	"14"" , Diam 1""	1
11	506 28 41-12	LABEL	"14"" , Diam 20 mm"	1
12	506 24 34-35	LABEL	Japan only	1
13	506 24 35-25	LABEL	Japan only	1



CRANKCASE

K760, 2011-08

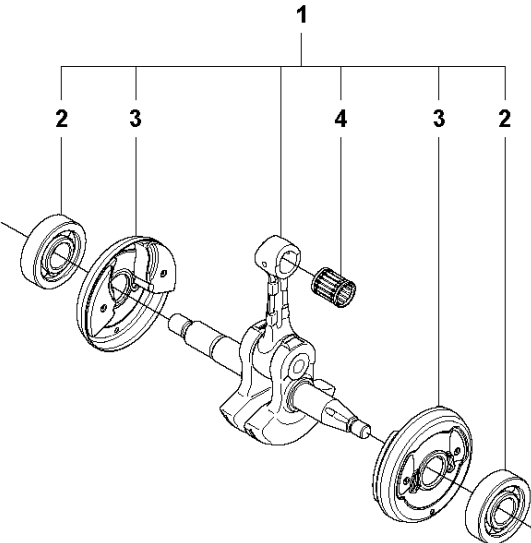
Ref	Part No	Description	Remark	QTY KIT
1	501 98 10-20	SCREW ITXSCM		2
2	522 98 08-01	BELT GUARD ASSY	Incl. 3	1
3	544 89 11-01	LABEL		1
4	503 74 44-06	CLUTCH ASSY	Incl. 5	1
5	503 74 43-01	CLUTCH SPRING		3
6	502 28 92-02	DRIVING PULLEY ASSY	Incl. 7 - 9	1
7	503 23 00-70	WASHER		1
8	525 83 18-01	BALL BEARING		2
9	506 31 69-01	DUST COVER		1
10	574 36 41-01	CRANKCASE ASSY	Incl. 11 - 19, 21 - 23	1
11	506 38 53-05	GASKET KIT	Incl. 15, 18, 24 - 29	1
12	501 98 10-01	SCREW ITXSCM		1
13	544 00 78-01	BRACKET		1
14	503 21 53-41	SCREW ITXSCM		6
15	503 26 02-04	SEALING RING		2
16	501 27 08-01	GUIDE BUSHING		2
17	738 22 02-25	BALL BEARING		2
18	506 37 70-03	GASKET		1
19	503 84 61-01	BUFFER		1
20	503 22 65-04	SQUARE NUT		1
21	503 21 53-16	SCREW ITXSCM		2
22	522 47 48-01	PLATE		1
23	522 47 57-01	SPRING RETAINER		1
24	506 41 23-01	GASKET		1
25	506 37 69-02	GASKET		1
26	506 37 70-02	GASKET		1
27	544 21 93-02	INSERT		1
28	506 37 67-01	CYLINDER		1
29	506 37 68-04	GASKET		1

CYLINDER, PISTON & MUFFLER

K760, 2011-08

Ref	Part No	Description	Remark	QTY KIT
1	505 42 45-01	ANTIVIBRATION ELEMENT		1
2	544 06 12-01	SCREW ITXSCM		1
3	503 71 53-01	DECOMPRESSION VALVE		1
4	503 55 22-01	PLUG		1
5	503 21 53-25	SCREW ITXSCM		5
6	520 75 73-04	CYLINDER ASSY	Incl. 7 - 11	1
7	503 21 53-16	SCREW ITXSCM		2
8	506 36 88-01	BRACKET		1
9	506 37 67-01	CYLINDER		1
10	506 37 24-01	PISTON ASSY	Incl. 12 - 13	1
11	503 25 56-01	NEEDLE BEARING		1
12	503 28 90-47	PISTON RING		2
13	737 43 12-00	SNAP RING		2
14	506 41 23-01	GASKET		1
15	506 37 58-02	COOLING AIR CONDUCTOR		1
16	506 37 69-02	GASKET		1
17	506 36 42-04	MUFFLER ASSY		1
18	503 21 53-40	SCREW ITXSCM		2
19	503 21 53-56	SCREW ITXSCM		1
20	503 23 04-02	WASHER		1
21	503 22 65-04	SQUARE NUT		1
22	506 38 53-05	GASKET KIT	Incl. 9, 14, 16, 24 - 28	1
23	505 25 96-01	MUFFLER KIT	Incl. 5, 14, 16, 18 - 21	1
24	506 37 70-02	GASKET		1
25	506 37 70-03	GASKET		1
26	544 21 93-02	INSERT		1
27	503 26 02-04	SEALING RING		2
28	506 37 68-04	GASKET		1

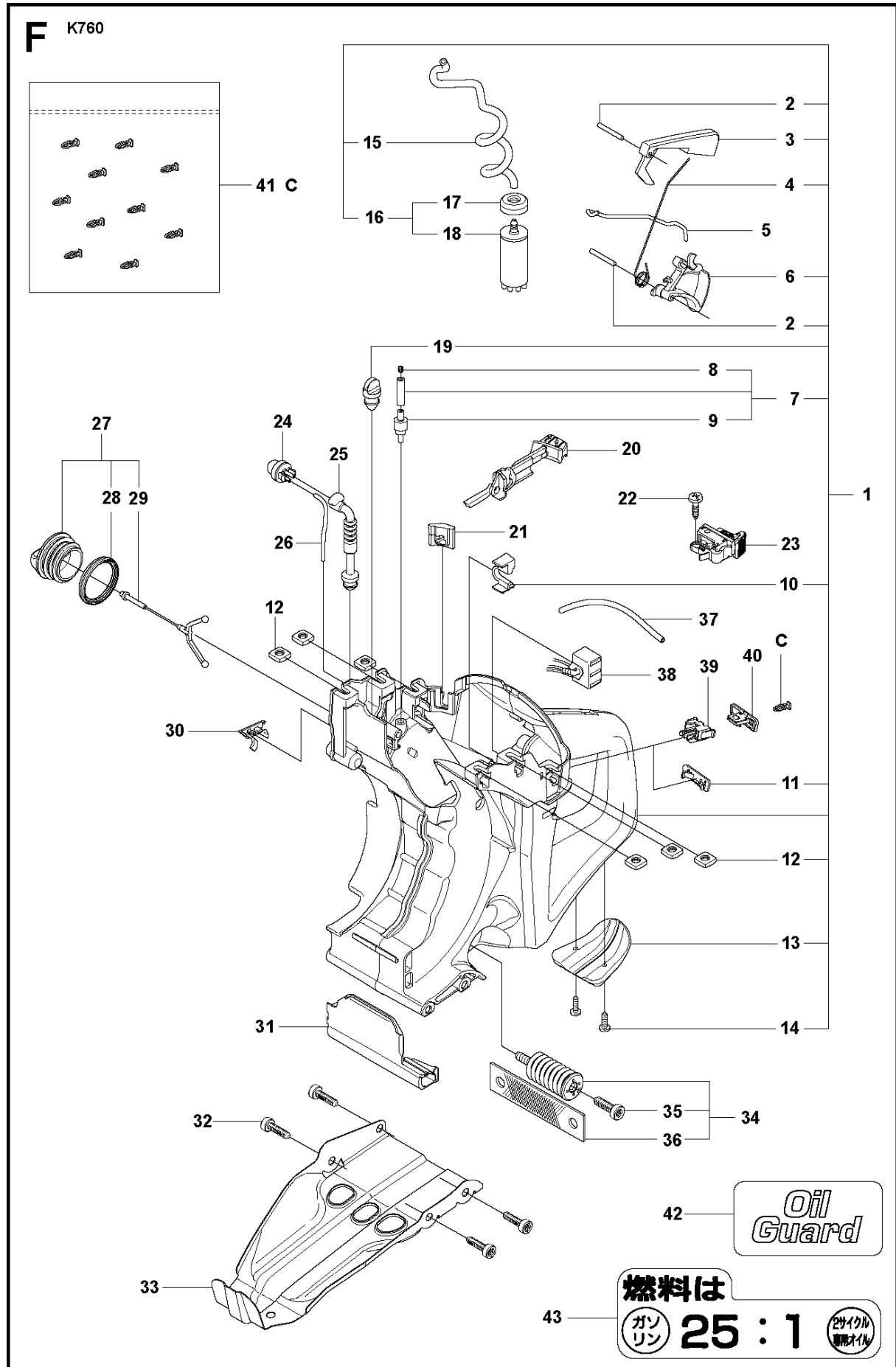
E K760



CRANKSHAFT

K760, 2011-08

Ref	Part No	Description	Remark	QTY KIT
1	502 29 50-02	CRANKSHAFT ASSY	Incl. 2 - 4	1
2	738 22 02-25	BALL BEARING		2
3	537 20 33-01	CUP		2
4	503 25 56-01	NEEDLE BEARING		1

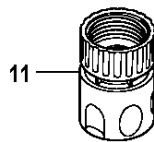
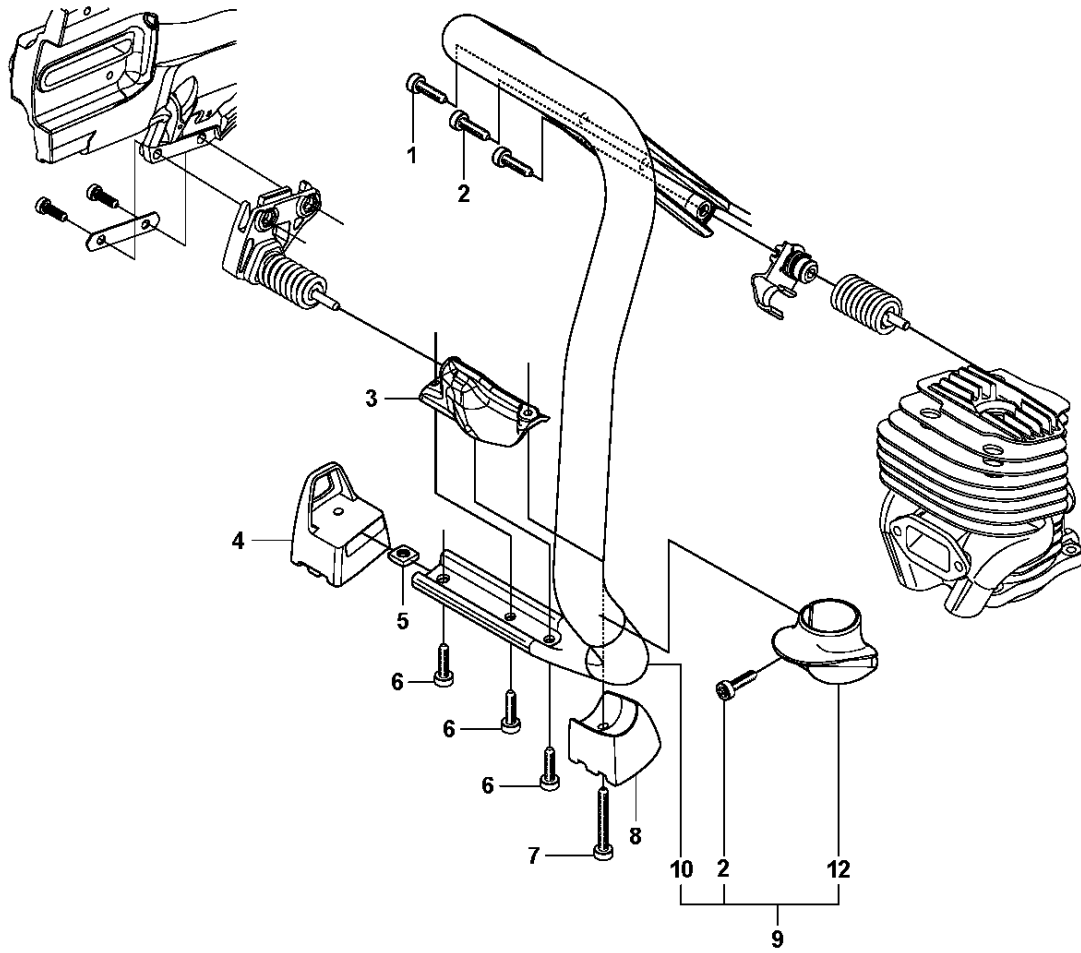


FUEL TANK

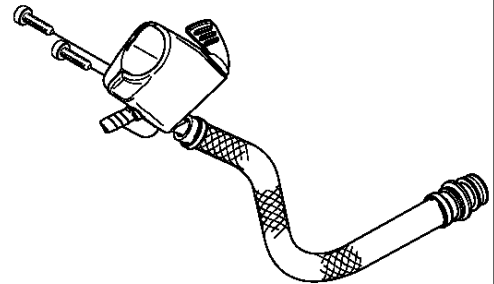
K760, 2011-08

Ref	Part No	Description	Remark	QTY KIT
1	506 38 65-13	FUEL TANK	Incl. 2 - 4, 6 - 7, 10 - 16	1
2	720 12 40-20	PARALLEL PIN		2
3	506 22 28-02	THROTTLE LOCKOUT		1
4	506 37 95-01	SPRING		1
5	506 37 13-02	THROTTLE ROD		1
6	506 37 20-03	THROTTLE TRIGGER		1
7	506 38 66-01	TANK VENT ASSY	Incl. 8 - 9	1
8	504 35 72-01	PLUG		1
9	503 16 40-01	TANK VENT		1
10	544 39 32-01	HOSE CLIP		1
11	501 37 13-01	LID		1
12	503 22 65-04	SQUARE NUT		6
13	506 38 67-02	GROUND SUPPORT		1
14	503 21 45-16	SCREW CRCSFT		2
15	544 32 50-03	FUEL HOSE		1
16	506 26 41-11	FUEL FILTER	Incl. 17 - 18	1
17	506 27 11-01	HOSE CLAMP		1
18	506 26 41-01	FUEL FILTER		1
19	574 40 57-01	SEALING PLUG		1
20	544 22 90-02	CHOKE CONTROL		1
21	506 37 80-01	GROMMET		1
22	503 21 28-10	SCREW CCRPANT		1
23	506 31 86-02	STOP SWITCH		1
24	503 93 66-01	PURGE	Purge	1
25	505 19 52-01	FUEL HOSE	Purge	1
26	537 04 24-14	FUEL HOSE	Purge	1
27	506 25 59-03	TANK CAP ASSY	Incl. 28 - 29	1
28	506 29 21-01	GASKET		1
29	503 57 89-01	HOLDER		1
30	506 39 46-02	HUB CAP		1
31	506 38 15-01	HEAT SHIELD		1
32	503 21 54-20	SCREW ITXSCT		4
33	506 37 19-02	BASEPLATE		1
34	537 21 03-07	ANTIVIBRATION ELEMENT	Incl. 35 - 36	1
35	544 06 12-01	SCREW ITXSCM		1
36	544 23 82-01	BAND		1
37	544 32 49-37	FUEL HOSE	Oil Guard	1
38	544 38 41-01	ELECTRONIC BOX	Oil Guard	1
39	501 01 88-01	HOUSING	Oil Guard	1
40	501 01 94-01	SWITCH	Oil Guard	1
41	502 23 33-01	KIT	Oil Guard, Incl. 10 pins	1
42	501 31 89-01	LABEL	Oil Guard	1
43	506 31 30-01	LABEL	Japan only	1

G K760



13

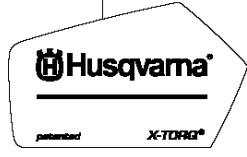
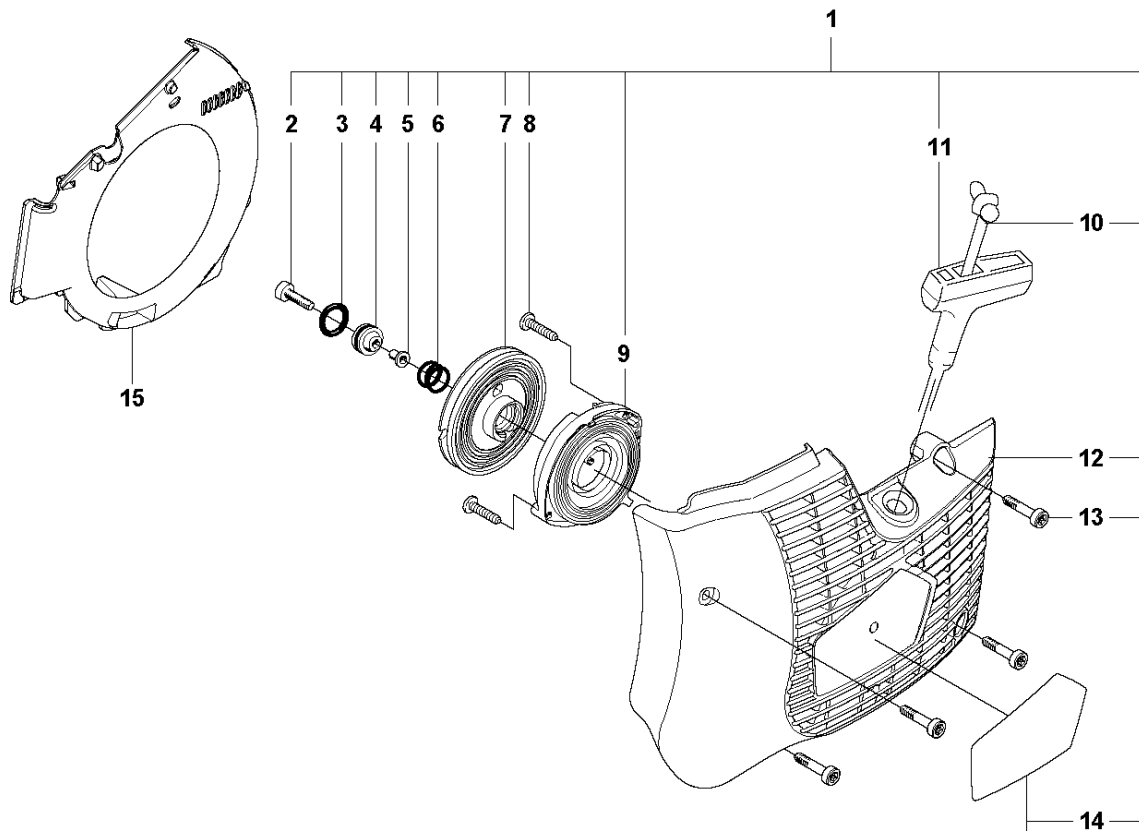


GROUND SUPPORT

K760, 2011-08

Ref	Part No	Description	Remark	QTY KIT
1	544 06 12-01	SCREW ITXSCM		3
2	503 21 54-20	SCREW ITXSCT		3
3	575 26 77-01	SPRING RETAINER		1
4	522 83 23-01	GROUND SUPPORT		1
5	503 22 65-04	SQUARE NUT		1
6	503 21 53-10	SCREW ITXSCM		3
7	503 21 53-40	SCREW ITXSCM		1
8	522 83 24-01	GROUND SUPPORT		1
9	506 38 58-04	HANDLE	Incl. 2, 10 - 11	1
10	506 37 11-03	FRONT HANDLE		1
11	506 38 71-02	STOP		1
12	503 26 60-03	COUPLER	USA, Canada	1
12	503 26 60-04	COUPLER		1
13	505 09 55-01	HOSE KIT		1

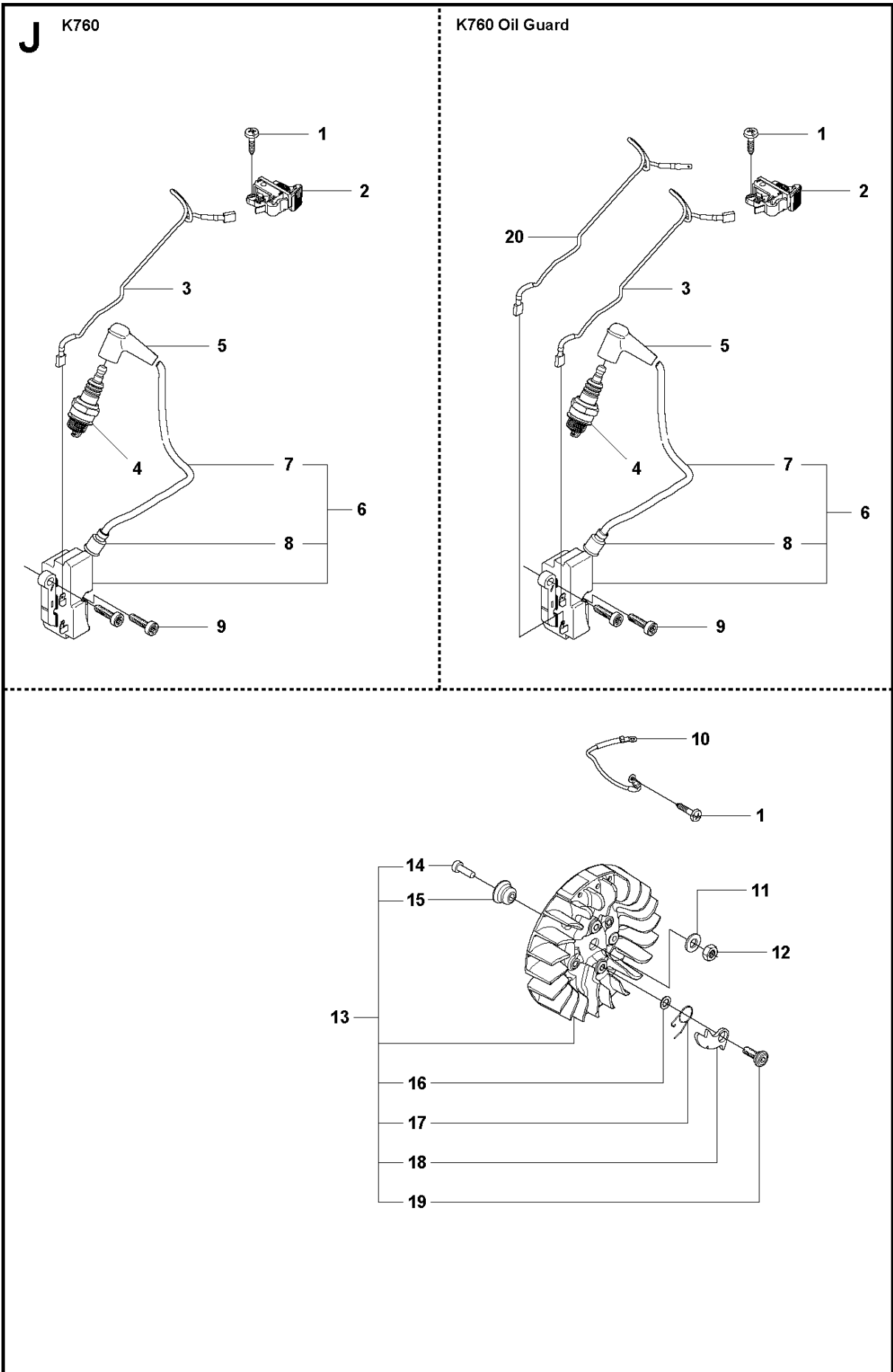
H K760
STARTER



STARTER

K760, 2011-08

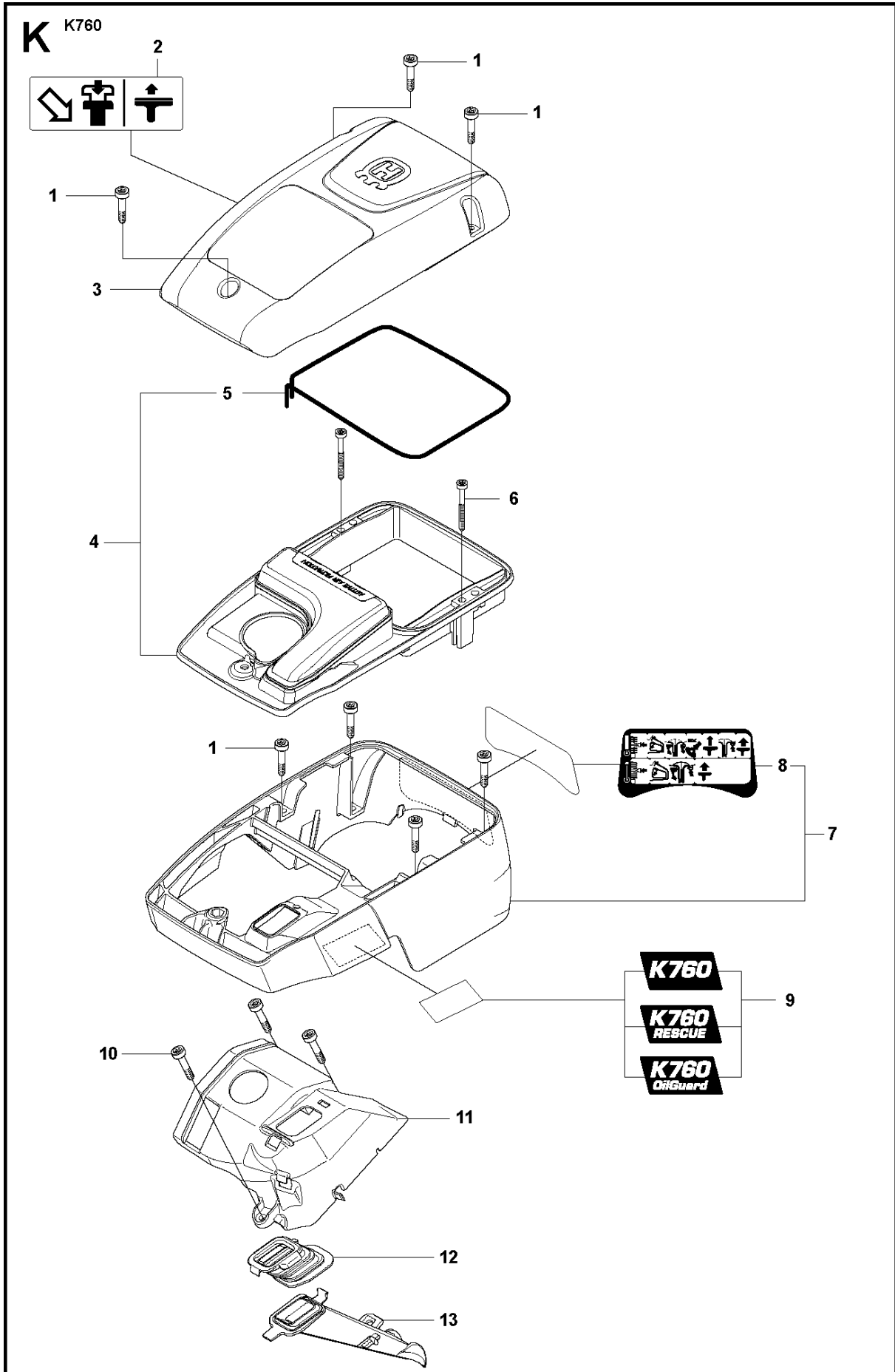
Ref	Part No	Description	Remark	QTY KIT
1	574 36 20-01	STARTER	Incl. 2 - 15	1
2	510 26 92-22	SCREW ITXSCT		1
3	740 43 13-00	O-RING		1
4	510 00 08-01	SEALING		1
5	506 26 31-01	SPACING SLEEVE		1
6	506 25 30-01	COMPRESSION SPRING		1
7	506 25 81-02	STARTER PULLEY		1
8	503 21 28-10	SCREW CCRPANT		2
9	506 25 89-01	RECOIL SPRING		1
10	506 33 56-15	CORD		1
10	506 33 56-50	STARTER CORD	50 m	1
11	503 12 79-01	STARTER HANDLE		1
12	525 44 60-01	STARTER COVER		1
13	501 98 10-20	SCREW ITXSCM		4
14	525 57 11-01	DECAL		1
15	544 38 39-01	AIR CONDUCTOR		1



IGNITION SYSTEM

K760, 2011-08

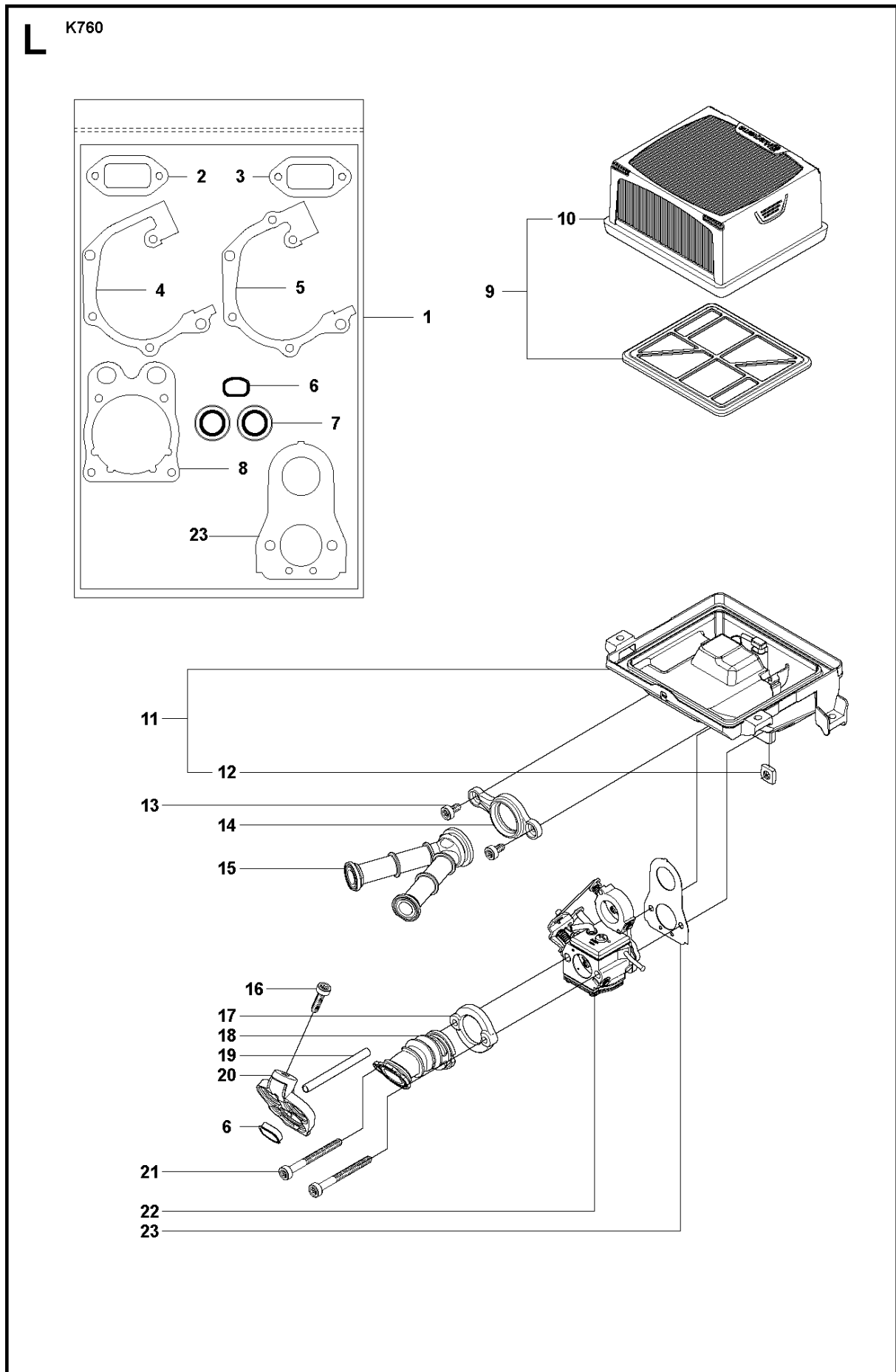
Ref	Part No	Description	Remark	QTY KIT
1	503 21 28-10	SCREW CCRPANT		2
2	506 31 86-02	STOP SWITCH		1
3	506 37 84-02	CABLE		1
3	544 97 93-01	CABLE	Oil Guard	1
4	503 23 51-11	SPARK PLUG	RCJ 6 Y	1
5	501 48 54-02	SPARK PLUG CAP		1
6	510 11 56-01	IGNITION MODULE	Incl. 7 - 8	1
7	506 38 78-34	IGNITION CABLE		1
8	505 27 75-16	ISOLERHATT		1
9	503 21 53-20	SCREW ITXSCM		2
10	506 37 85-01	CABLE		1
11	503 23 01-01	WASHER		1
12	503 22 10-11	HEXAGON NUT		1
13	501 37 56-04	FLYWHEEL	Incl. 14 - 19	1
14	725 53 29-56	SCREW IHSCM		1
15	574 25 09-01	WEIGHT		1
16	503 23 00-42	WASHER		2
17	501 63 48-01	SPRING		2
18	501 67 32-03	PAWL		2
19	506 00 69-01	SCREW		2
20	544 38 49-01	CABLE	Oil Guard	1



CYLINDER COVER

K760, 2011-08

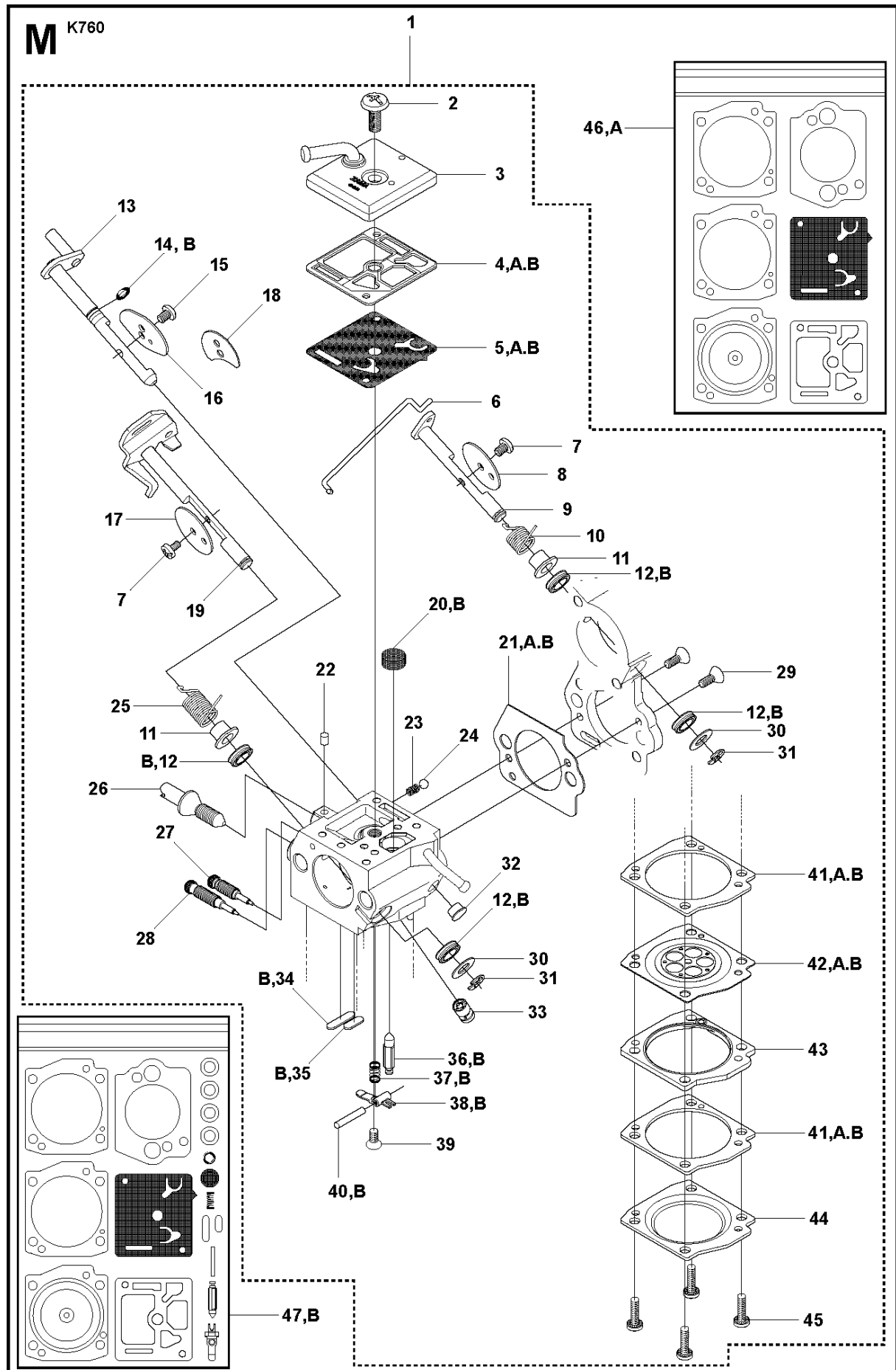
Ref	Part No	Description	Remark	QTY KIT
1	503 21 53-21	SCREW ITXSCM		7
3	525 44 43-01	FILTER COVER		1
4	574 36 21-01	FILTER HOLDER ASSY	Incl. 5	1
5	575 35 50-01	SEALING STRIP		1
6	503 21 53-49	SCREW ITXSCM		2
7	506 39 84-05	CYLINDER COVER ASSY	Incl. 8	1
8	544 89 09-02	LABEL		1
9	574 23 16-01	DECAL		1
9	574 23 16-02	DECAL	Rescue	1
9	574 23 16-03	DECAL	Oil Guard	1
10	501 98 10-20	SCREW ITXSCM		3
11	506 37 02-01	COVER		1
12	506 37 04-01	BELLOWS		1
13	525 58 43-01	AIR NOZZLE		1
2	525 76 35-02	DECAL		1



AIR FILTER

K760, 2011-08

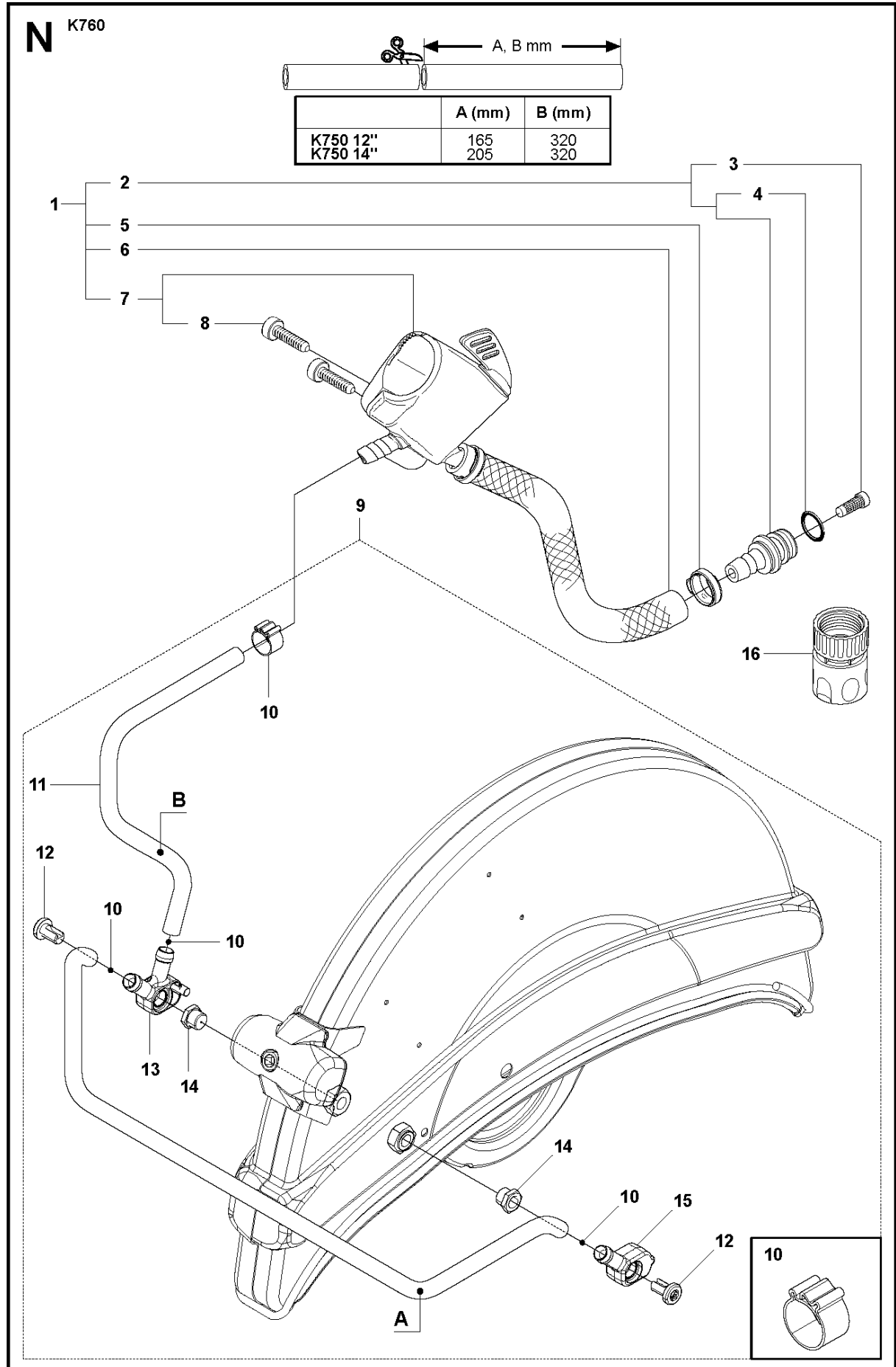
Ref	Part No	Description	Remark	QTY KIT
1	506 38 53-05	GASKET KIT	Incl. 2 - 8, 23	1
2	506 41 23-01	GASKET		1
3	506 37 69-02	GASKET		1
4	506 37 70-02	GASKET		1
5	506 37 70-03	GASKET		1
6	544 21 93-02	INSERT		1
7	503 26 02-04	SEALING RING		2
8	506 37 67-01	CYLINDER		1
9	574 36 23-01	AIR FILTER ASSY	Incl. 10	1
10	525 47 06-01	AIR FILTER ASSY		1
11	575 35 40-01	CARBURETTOR BRACKET	Incl. 12	1
12	503 22 65-04	SQUARE NUT		4
13	503 21 53-10	SCREW ITXSCM		2
14	506 37 06-01	FLANGE INLET PIPE		1
15	506 36 98-01	INLET PIPE		1
16	503 21 53-20	SCREW ITXSCM		1
17	506 37 05-01	FLANGE INLET PIPE		1
18	525 73 31-01	INLET PIPE		1
19	503 40 06-09	IMPULSE HOSE		1
20	544 35 26-01	PLATE		1
21	503 21 53-56	SCREW ITXSCM		2
22	510 18 12-02	CARBURETTOR	Zama C3-EL43A	1
23	506 37 68-04	GASKET		1



CARBURETOR

K760, 2011-08

Ref	Part No	Description	Remark	QTY KIT
1	510 18 12-02	CARBURETTOR	Zama C3-EL43A, Incl. 2 - 43	1
2	503 47 96-01	SCREW		1
3	544 83 64-01	PUMP COVER		1
4	503 61 66-01	GASKET		1
5	506 39 60-01	DIAPHRAGM PUMP		1
6	506 39 65-01	ROD		1
7	544 08 22-01	SCREW		2
9	506 39 71-01	SHAFT ASSY		1
10	506 39 75-01	SPRING		1
11	506 39 54-01	COLLAR		2
12	506 39 64-01	QUAD RING		4
13	506 39 73-01	SHAFT ASSY		1
14	506 39 90-01	O-RING		1
15	503 48 18-01	SCREW		1
16	506 39 78-01	VALVE		1
17	537 17 70-01	VALVE		1
18	522 60 75-01	CHOKE VALVE	Japan only	1
19	506 39 74-01	SHAFT ASSY		1
20	503 53 57-01	STRAINER		1
21	506 39 58-01	GASKET		1
22	503 48 11-01	PIECE		1
23	537 01 26-01	SPRING		1
24	537 01 25-01	BALL		1
25	544 83 65-01	SPRING		1
26	506 39 72-01	SCREW		1
27	506 39 70-01	SCREW		1
28	506 39 69-01	SCREW		1
29	537 38 51-01	SCREW		2
30	506 39 79-01	WASHER		2
31	537 38 52-01	CLIP		2
32	506 39 91-01	PLUG		1
33	506 39 61-01	NOZZLE ASSY		1
34	503 53 56-01	PLUG WELCH		1
35	537 17 78-01	PLUG		1
36	537 17 62-01	VALVE		1
37	575 44 13-01	SPRING		1
38	537 17 64-01	LEVER		1
39	544 08 21-01	SCREW		1
40	503 48 00-01	PIN RETAINING SCREW		1
41	506 39 62-01	GASKET		2
42	506 39 57-01	DIAPHRAGM ASSY		1
43	506 39 55-01	COVER		1
44	506 39 56-01	COVER		1
45	506 39 66-01	SCREW		4
46	506 40 99-01	GASKET KIT	Incl. 4-5, 21, 41, 42	1
47	506 41 00-03	GASKET KIT	Incl. 4-5, 12, 14, 20, 21, 34-38, 40-42	1

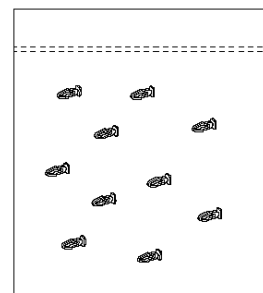
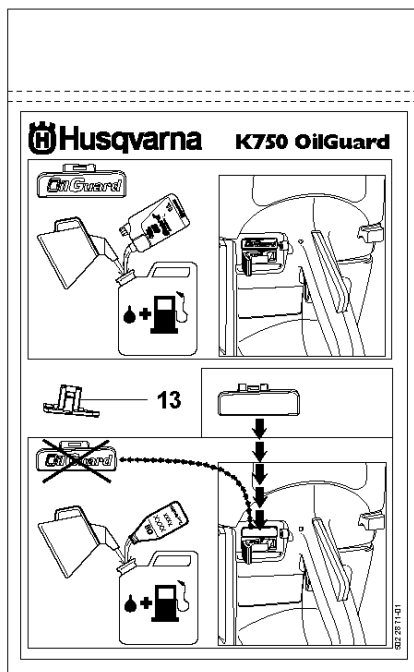
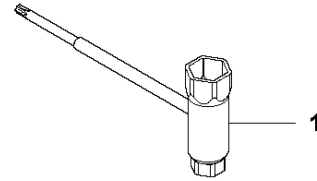
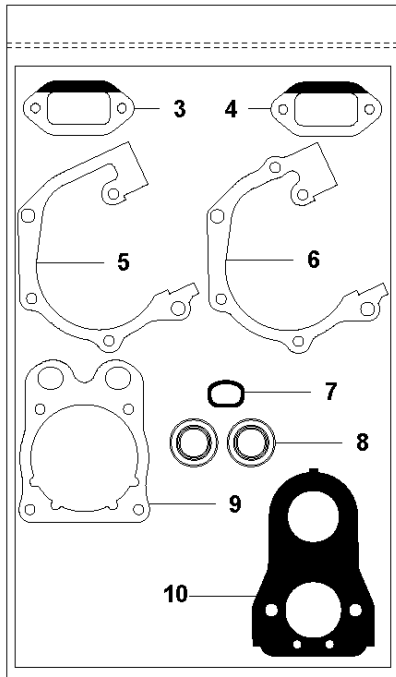


HOSE

K760, 2011-08

Ref	Part No	Description	Remark	QTY KIT
1	505 09 55-01	HOSE KIT	Incl. 2, 5 - 7	1
2	506 29 57-02	NIPPLE	Incl. 3, 4	1
3	506 29 88-01	FILTER		1
4	505 10 35-01	O-RING		1
5	506 49 87-02	HOSE CLAMP		1
6	506 60 75-01	HOSE		1
7	506 38 60-12	VALVE ASSY	Incl. 8	1
8	503 21 54-20	SCREW ITXSCT		2
9	505 09 54-01	HOSE KIT	Incl. 10 - 15	1
10	506 49 87-01	HOSE CLAMP		4
11	506 60 68-66	HOSE	620 mm	1
12	504 63 46-01	SCREW ITXSCM		2
13	504 63 44-01	HOUSING		1
14	504 63 42-01	NIPPLE		2
15	504 63 45-01	HOUSING		1
16	503 26 60-03	COUPLER	USA, Canada	1
16	503 26 60-04	COUPLER		1

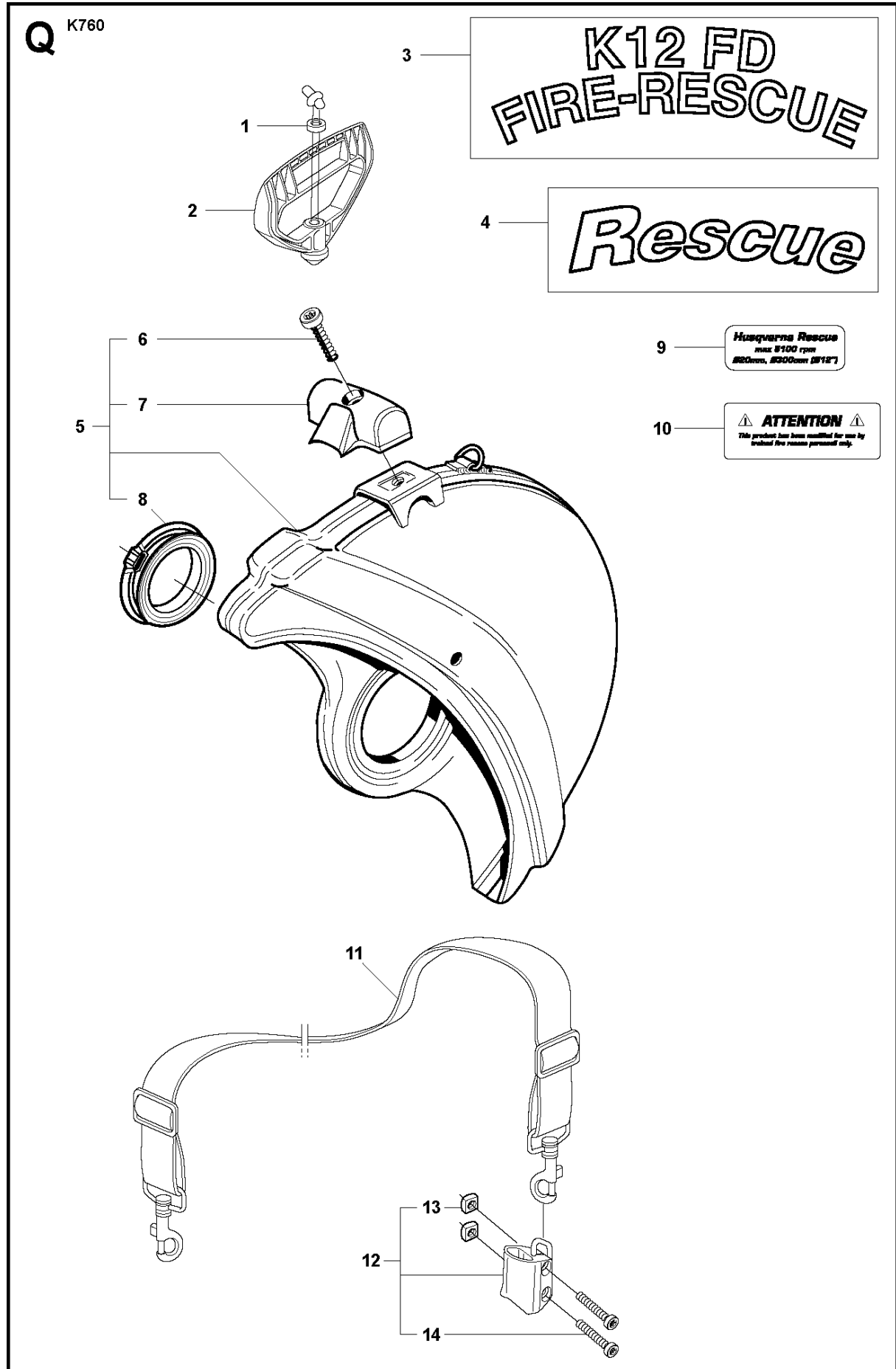
P K760



GASKET KIT

K760, 2011-08

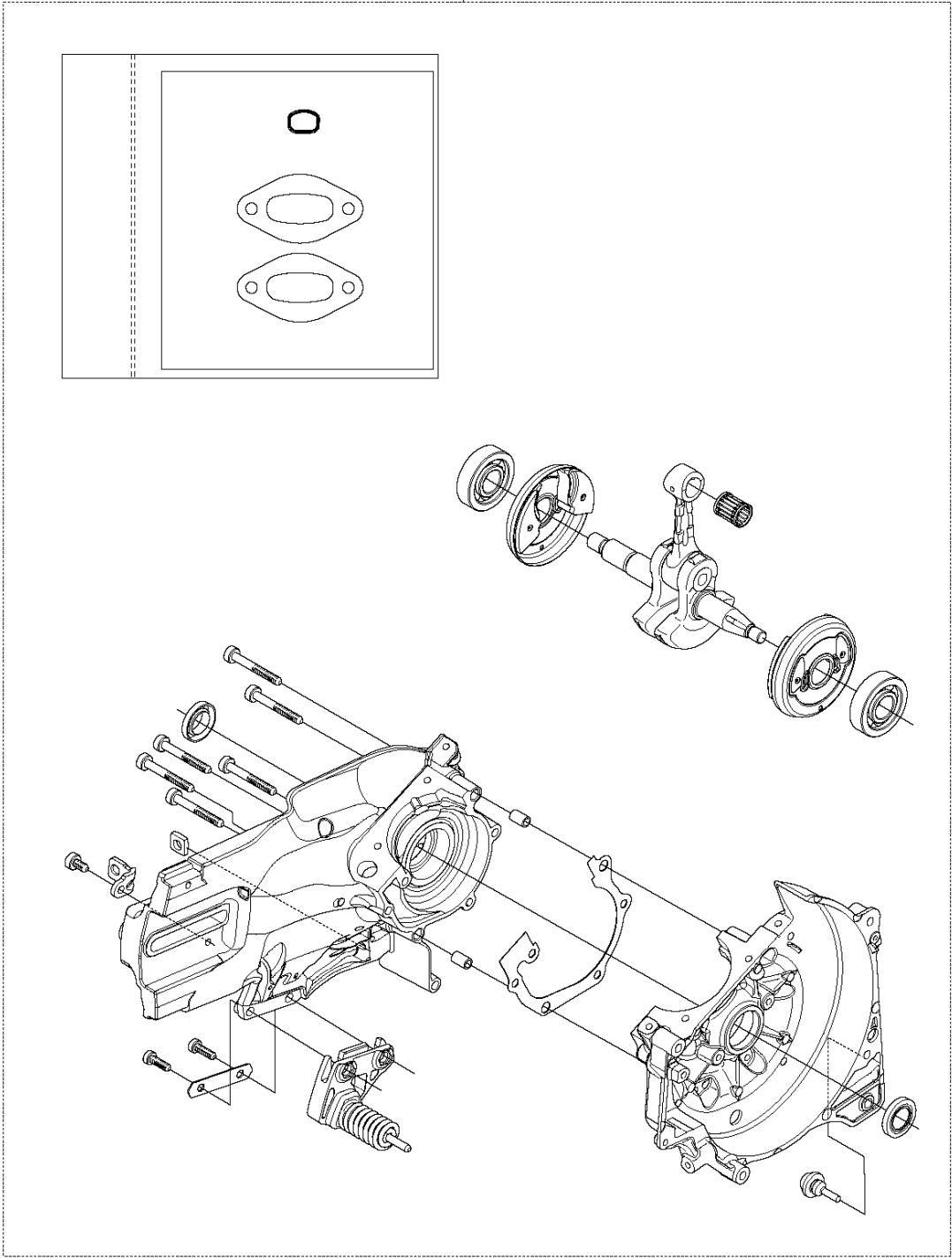
Ref	Part No	Description	Remark	QTY KIT
1	506 38 26-01	TOOL		1
2	506 38 53-05	GASKET KIT	Incl. 3 - 10	1
3	506 41 23-01	GASKET		1
4	506 37 69-02	GASKET		1
5	506 37 70-02	GASKET		1
6	506 37 70-03	GASKET		1
7	544 21 93-02	INSERT		1
8	503 26 02-04	SEALING RING		2
9	506 37 67-01	CYLINDER		1
10	506 37 68-03	GASKET		1
11	502 23 33-01	KIT	Incl. 10 Pins	1
12	502 28 70-01	KIT		1
13	501 01 95-01	SWITCH		1



Ref	Part No	Description	Remark	QTY KIT
1	503 14 29-02	WASHER		1
2	506 29 75-02	STARTER HANDLE		1
3	506 32 20-02	LABEL		1
4	506 30 23-02	LABEL		2
5	506 34 05-52	BLADE GUARD		1
6	503 21 53-20	SCREW ITXSCM		1
7	506 34 46-02	HANDLE		1
8	506 26 63-02	LINING		2
9	544 89 06-02	LABEL		1
10	506 32 22-02	LABEL		1
11	506 29 76-02	STRAP		1
12	506 30 25-04	BRACKET		1
13	503 22 65-04	SQUARE NUT		2
14	503 21 53-16	SCREW ITXSCM		2

R K760

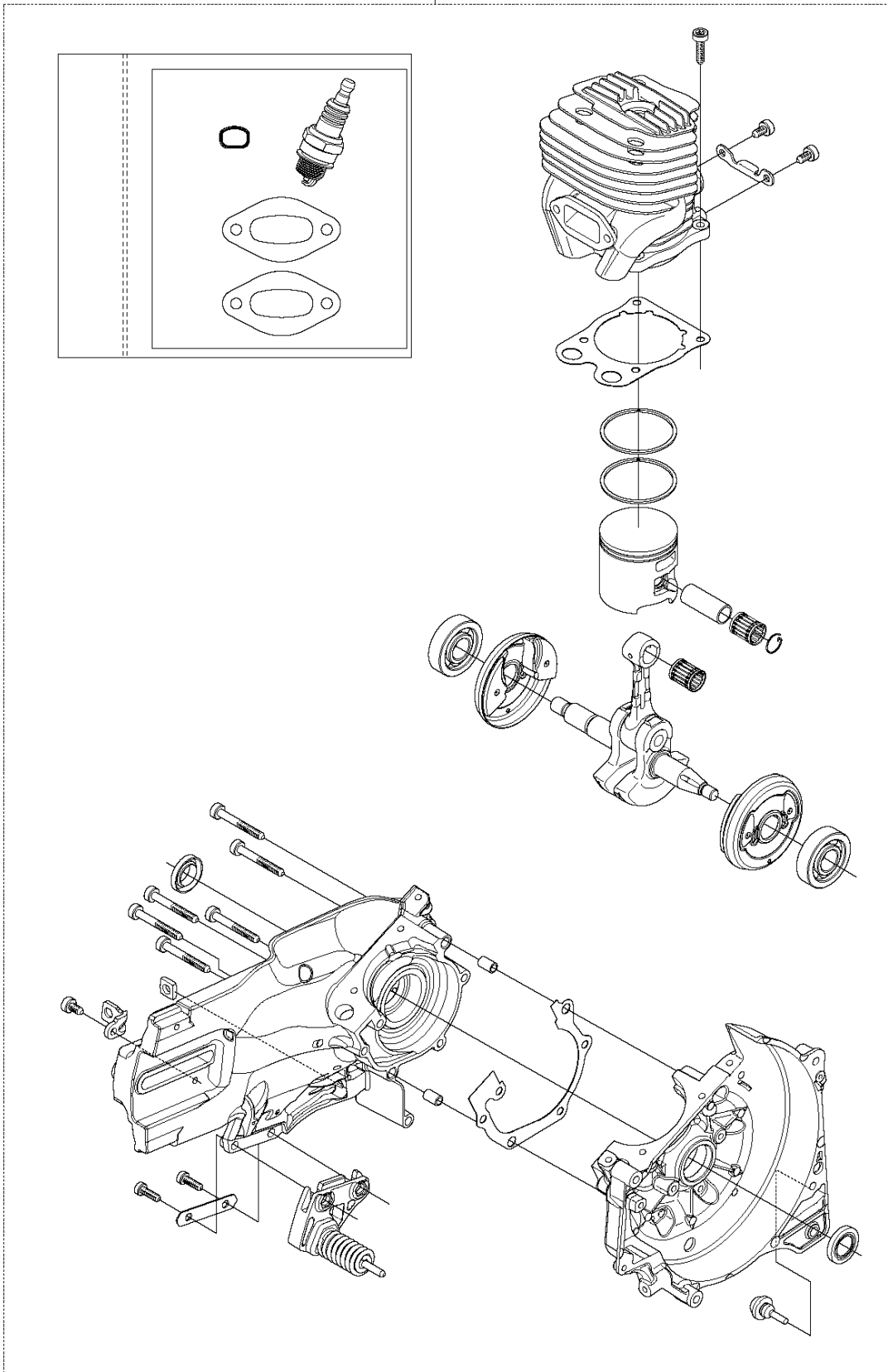
1



Ref	Part No	Description	Remark	QTY KIT
1	574 36 41-05	CRANKCASE ASSY		1

S K760

1



Ref	Part No	Description	Remark	QTY KIT
1	574 36 41-02	CRANKCASE ASSY		1