

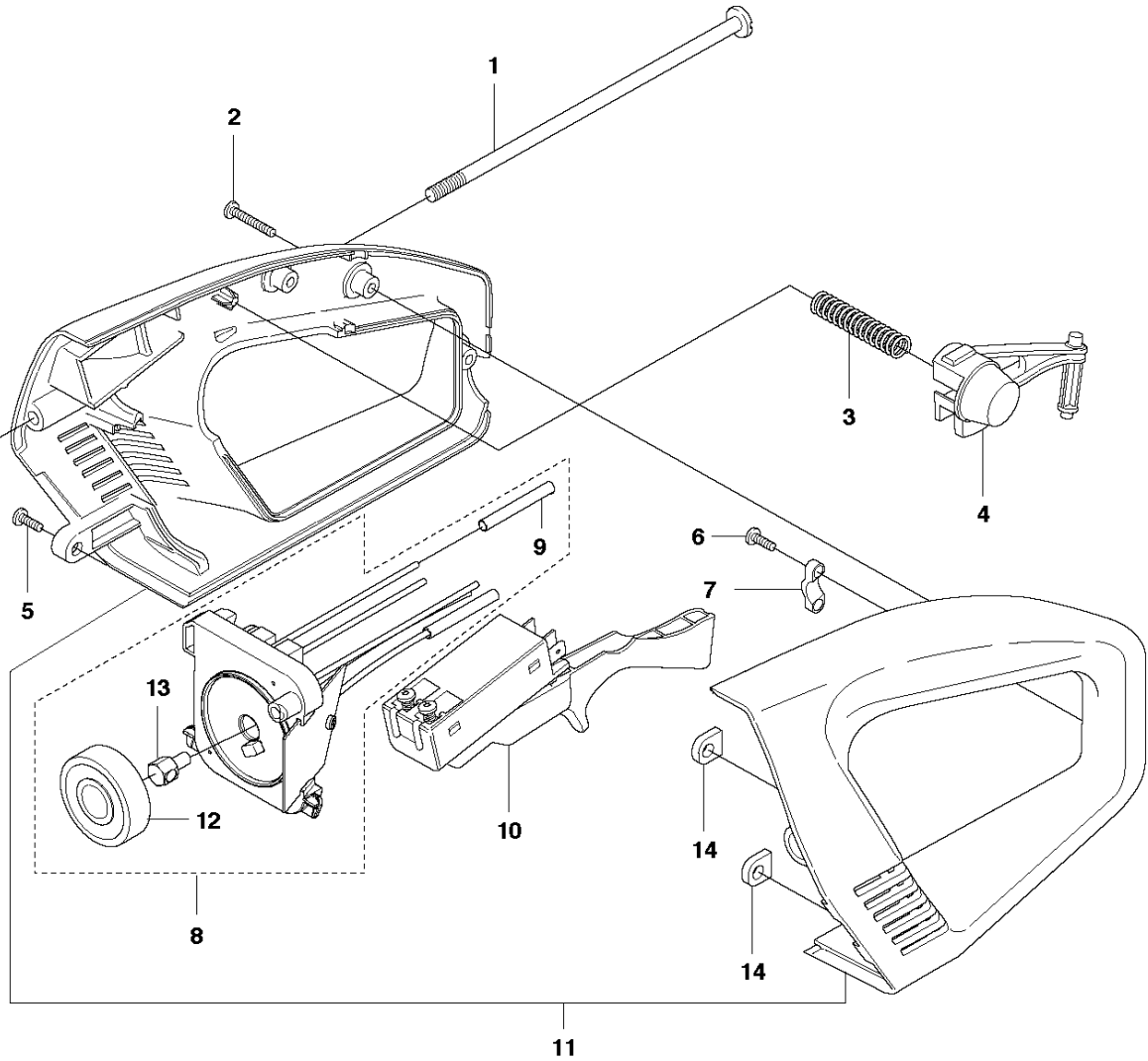


SPARE PARTS LIST

POWER CUTTERS

K3000 VAC, 2012-01

A1 K3000 VAC
K3000 WET

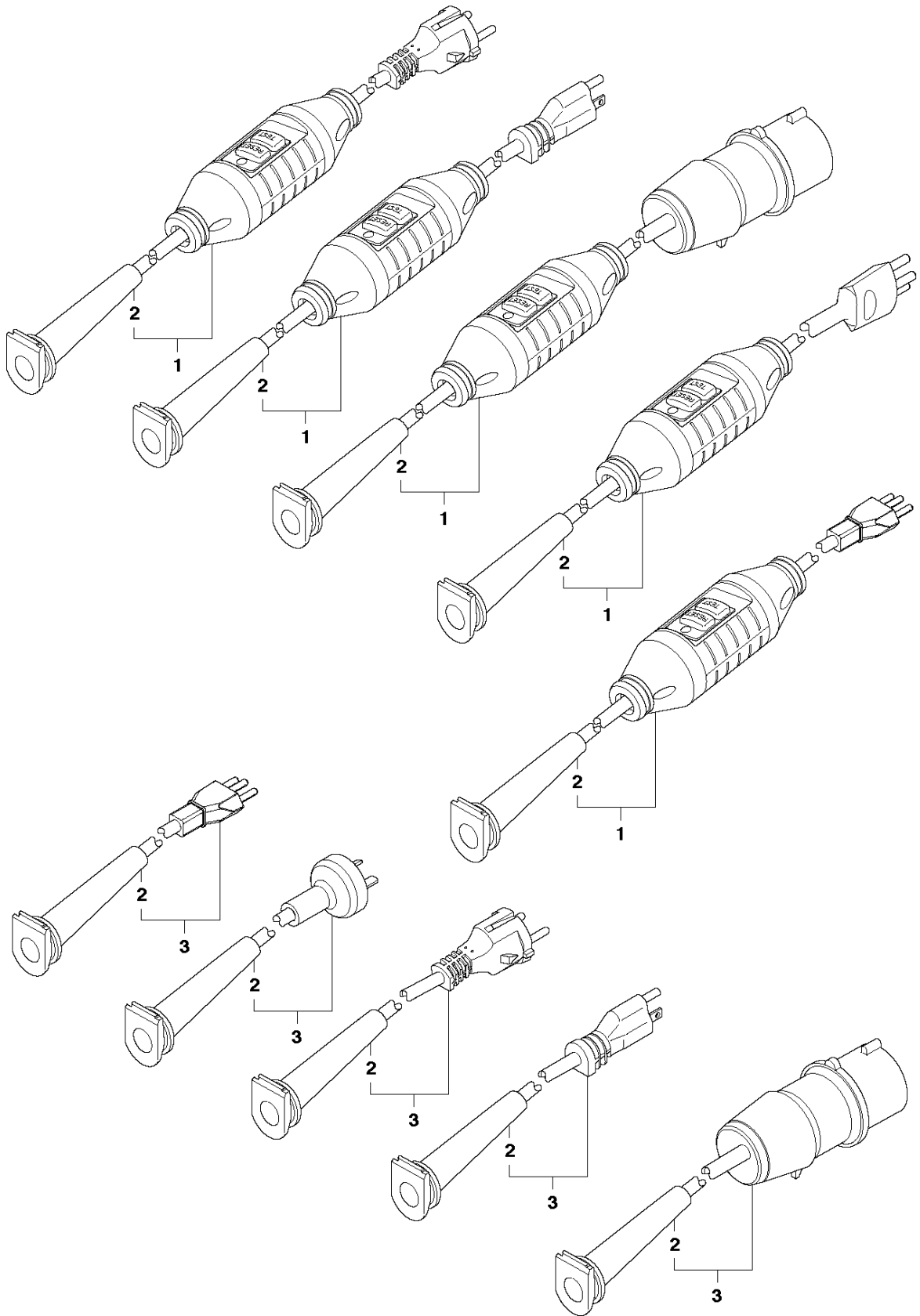


HANDLE

K3000 VAC, 2012-01

Ref	Part No	Description	Remark	QTY KIT
1	505 53 03-11	SCREW		1
2	531 03 19-02	SCREW		3
3	577 48 19-01	SPRING		1
4	544 90 06-01	LOCKING BUTTON		1
5	729 53 27-71	SCREW CRPANT		1
6	729 57 78-01	SCREW CCRPANT		2
7	531 03 18-87	CLIP		1
8	587 03 22-01	ELECTRONIC BOX	110V	1
8	587 03 22-02	ELECTRONIC BOX	230V	1
9	578 03 26-01	SLEEVE	110V	1
9	578 03 24-01	SLEEVE	230V	1
10	531 03 18-83	SWITCH		1
11	544 90 45-02	HANDLE ASSY		1
12	577 06 66-01	RUBBER BUSHING		1
13	579 25 62-01	SCREW		1
14	577 52 52-01	NUT		2

A2 K3000 VAC
K3000 WET

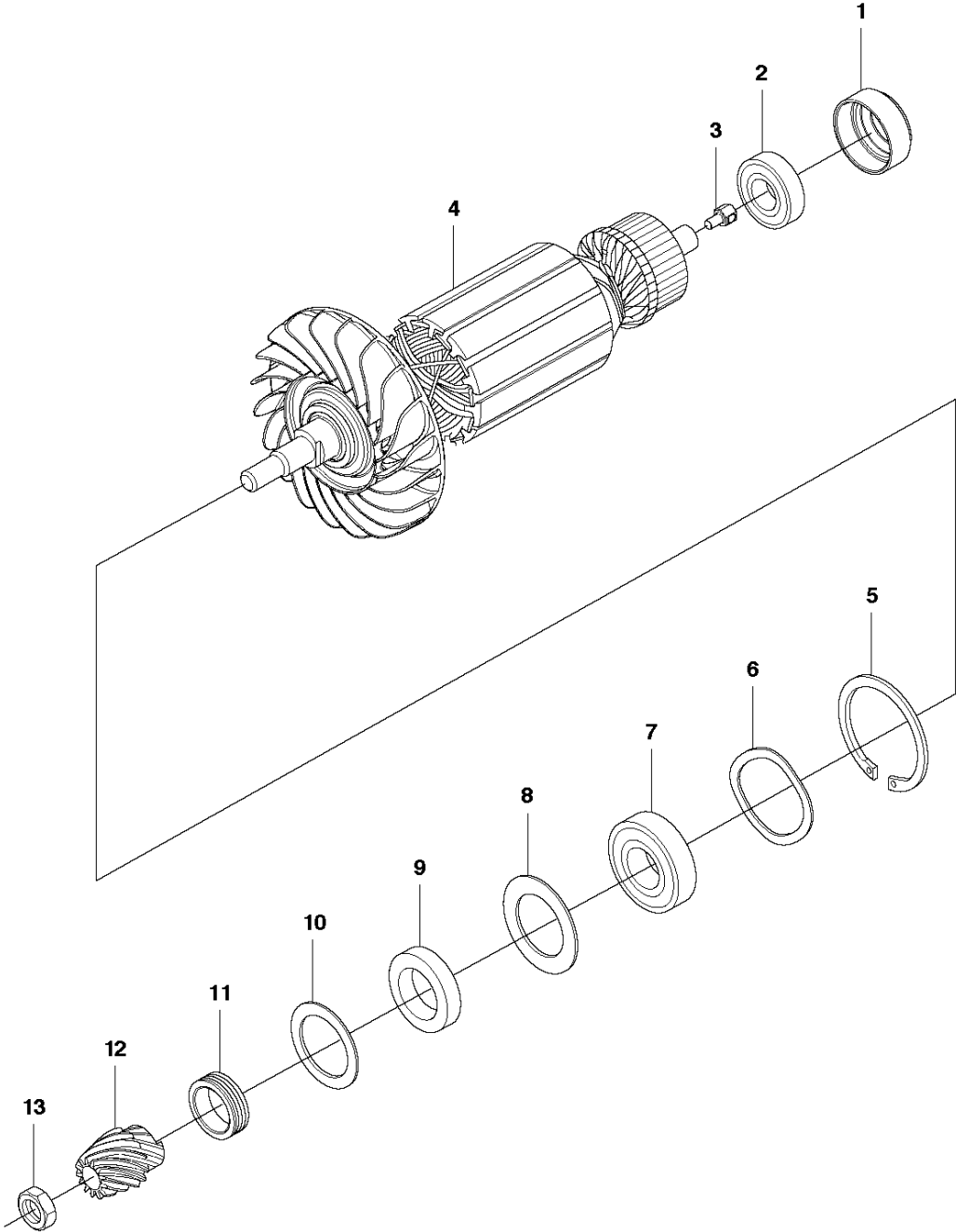


ELECTRICAL

K3000 VAC, 2012-01

Ref	Part No	Description	Remark	QTY KIT
1	505 44 33-03	CABLE	230V PRCD, incl. 2	1
1	510 18 13-02	CABLE	110V PRCD, JP, US, incl. 2	1
1	521 90 72-03	CABLE	110V PRCD, AU, incl. 2	1
1	521 90 74-03	CABLE	230V PRCD, CH, incl. 2	1
1	585 39 36-08	CABLE	230V PRCD, BR, incl. 2	1
2	577 41 18-01	CABLE SLEEVE		1
3	505 44 33-04	CABLE	230V, incl. 2	1
3	510 18 13-05	CABLE	110V JP, US, incl. 2	1
3	521 91 90-03	CABLE	110V UK, incl. 2	1
3	521 90 72-05	CABLE	110V AU, incl. 2	1
3	521 90 74-04	CABLE	230V CH, incl. 2	1
3	585 39 36-09	CABLE	230V BR, incl. 2	1

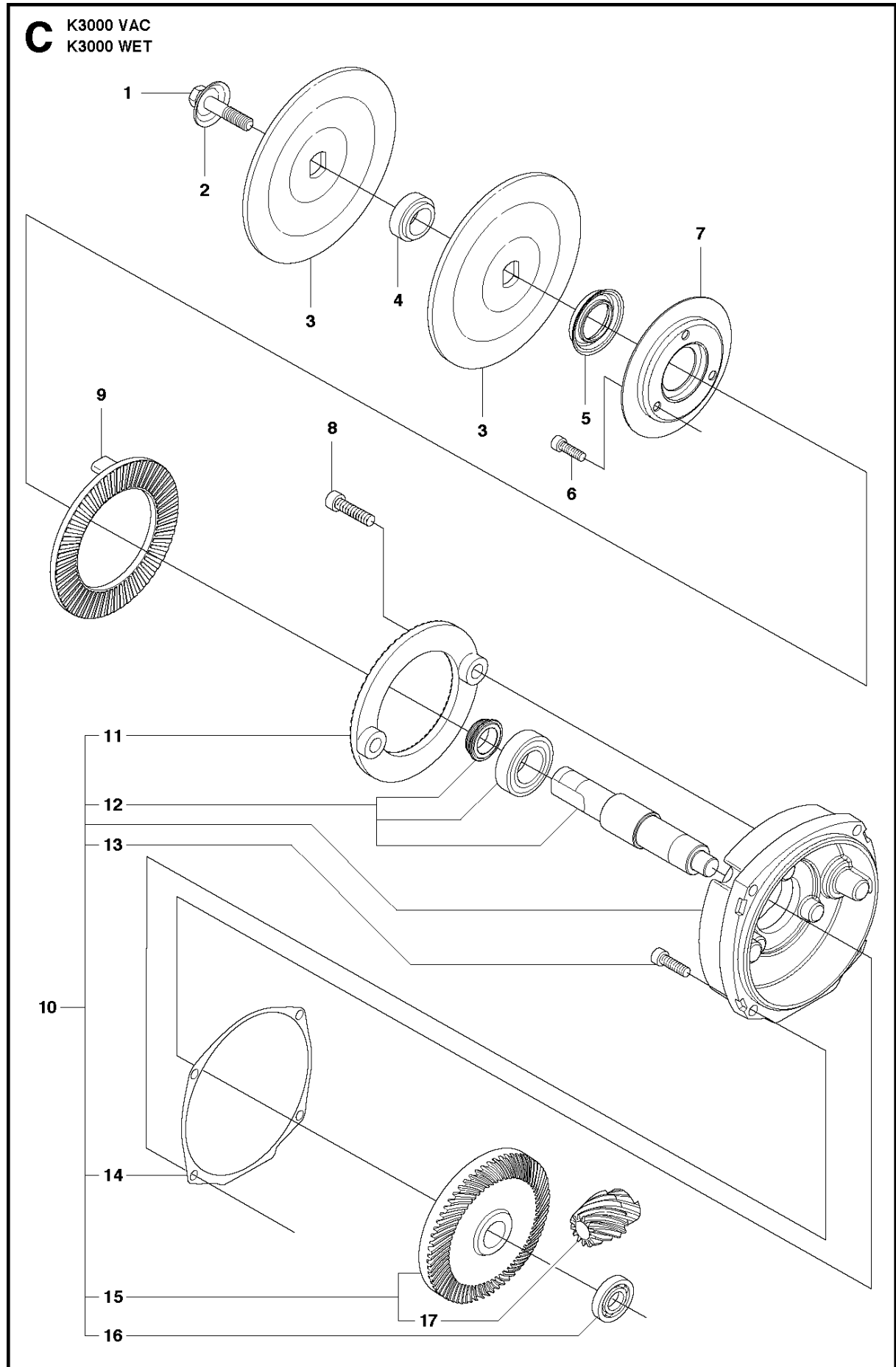
B K3000 VAC
K3000 WET



MOTOR

K3000 VAC, 2012-01

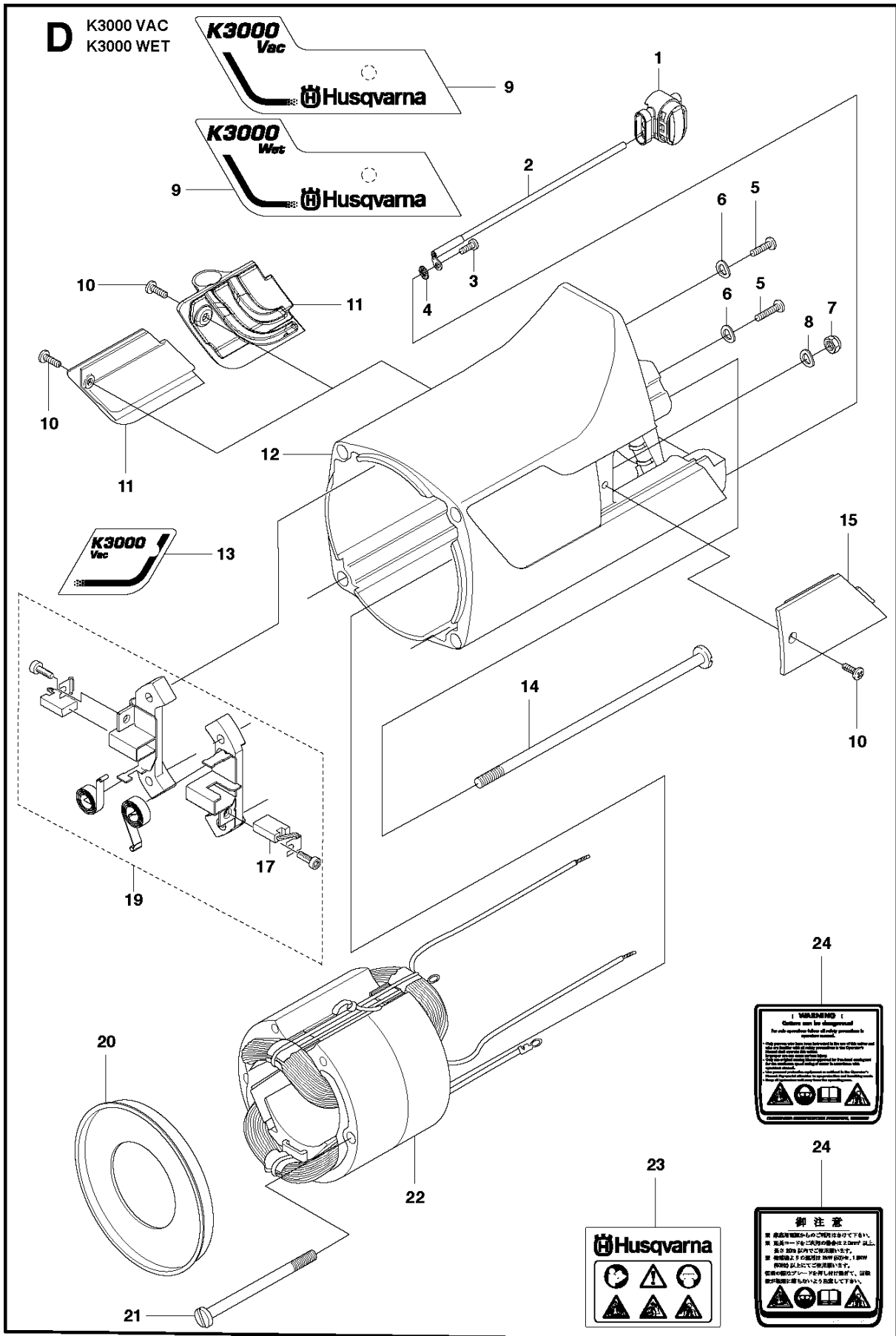
Ref	Part No	Description	Remark	QTY KIT
1	577 06 66-01	RUBBER BUSHING		1
2	503 25 09-01	BEARING		1
3	579 25 62-01	SCREW		1
4	582 58 66-02	ROTOR	120V, From S/N: 20175100101	1
4	582 58 66-01	ROTOR	230V, From S/N: 20175100101	1
5	735 31 33-10	CIRCLIP		1
6	505 53 03-51	SPRING WASHER		1
7	531 07 39-44	BALL BEARING		1
8	505 53 03-16	SPACER		1
9	505 53 03-41	FELT		1
10	505 53 03-52	SPACER		1
11	505 53 03-19	SPACER		1
12	506 09 86-02	PINION		1
13	523 12 24-02	NUT		1



GEARS

K3000 VAC, 2012-01

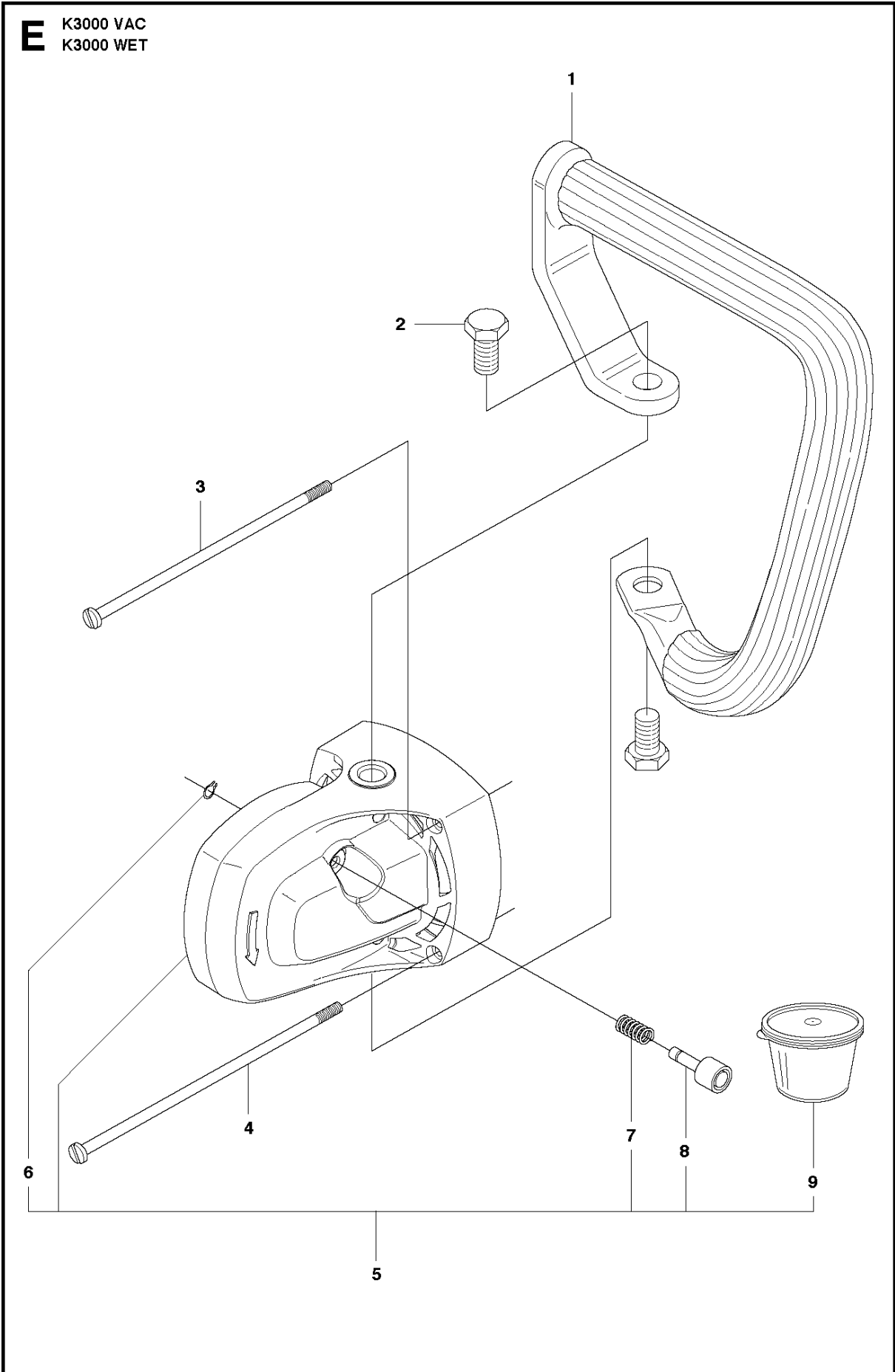
Ref	Part No	Description	Remark	QTY KIT
1	506 13 96-01	SCREW EHHFM		1
2	506 13 95-11	WASHER		1
3	583 87 44-01	FLANGE		2
3	506 07 09-01	FLANGE WASHER	JP	1
4	506 37 96-20	KIT	Diam 20mm	1
4	506 37 96-22	KIT	Diam 22,2mm	1
4	506 37 96-25	KIT	Diam 25,4mm	1
4	506 02 88-30	BUSHING	Diam 30,5mm	1
5	506 32 06-01	SEALING		1
6	505 57 41-16	SCREW ITXSCM		3
7	506 26 65-01	FLANGE		1
8	503 21 53-10	SCREW ITXSCM		2
9	506 26 64-01	SCREEN		1
10	544 40 32-02	GEAR SET	Incl. 11 - 16	1
11	506 28 84-01	SCREEN		1
12	544 40 33-01	SHAFT		1
13	505 57 41-20	SCREW ITXSCM		4
14	523 05 62-01	GASKET		1
15	531 03 18-75	GEAR WHEEL	Incl. 17	1
16	738 22 00-15	BALL BEARING		1
17	506 09 86-02	PINION		1



MOTOR HOUSING

K3000 VAC, 2012-01

Ref	Part No	Description	Remark	QTY	KIT
1	501 98 02-01	COUPLER		1	
2	577 38 40-01	CABLE ASSY		1	
3	724 12 22-01	SCREW CRPANM		1	
4	735 21 24-01	LOCKWASHER		1	
5	724 12 91-01	SCREW CRPANM		3	
5	724 12 97-01	SCREW CRPANM		1	
6	735 11 36-50	SPRING WASHER		3	
7	732 21 14-01	LOCK NUT		2	
8	735 11 46-50	SPRING WASHER		1	
9	544 90 33-06	LABEL	Vac	1	
9	544 90 33-05	LABEL	Wet	1	
10	729 53 27-71	SCREW CRPANT		1	
11	544 90 02-01	LID	Vac	1	
11	505 12 24-01	LID	Wet	1	
12	577 67 01-01	MOTOR HOUSING		1	
13	544 90 33-07	LABEL	Vac	1	
13	544 90 33-05	LABEL	Wet	1	
14	505 53 03-11	SCREW		1	
15	544 89 94-01	LID		1	
17	589 91 12-02	CARBON BRUSH	120V	1	19
17	589 91 12-01	CARBON BRUSH	230V	2	19
19	581 05 85-05	BRUSH HOLDER	230V	1	
19	581 05 85-06	BRUSH HOLDER	120V	1	
20	505 53 03-07	AIR STREAM DIRECTOR		1	
21	506 22 53-01	SCREW		2	
22	582 58 41-02	STATOR ASSY	120V, From S/N: 20175100101	1	
22	582 58 41-01	STATOR ASSY	230V, From S/N: 20175100101	1	
23	544 98 40-01	LABEL		1	
24	506 38 44-15	LABEL	JP	1	
24	506 38 43-14	LABEL	USA, UK	1	

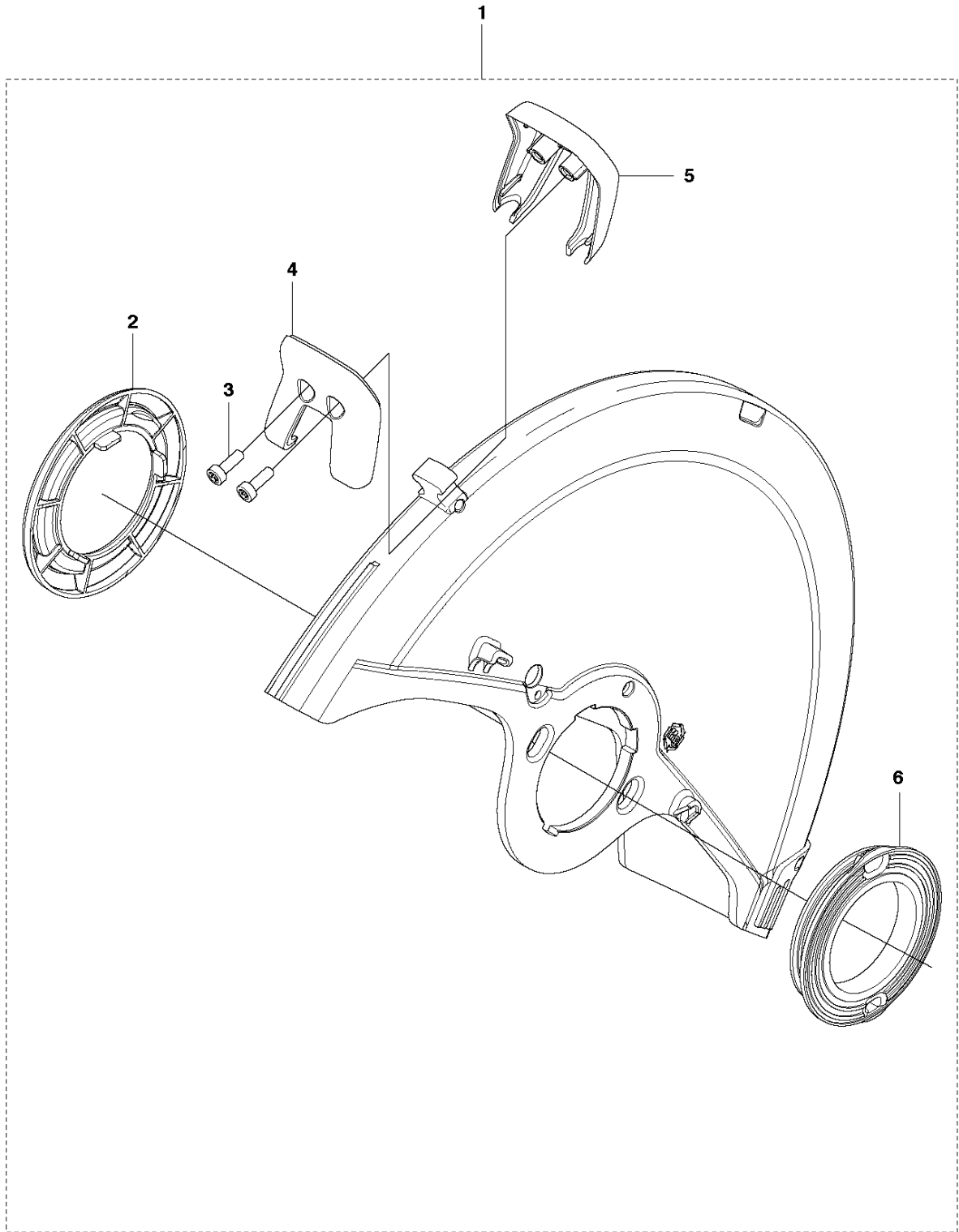


GEAR HOUSING

K3000 VAC, 2012-01

Ref	Part No	Description	Remark	QTY KIT
1	506 15 03-03	HANDLE		1
2	531 03 12-76	SCREW		2
3	505 53 03-11	SCREW		1
4	531 03 18-94	SCREW		1
5	544 40 34-01	GEAR HOUSING	Incl. 6 - 9	1
6	735 31 08-00	CIRCLIP		1
7	531 03 18-23	SPRING		1
8	544 90 47-01	SHAFT		1
9	574 20 62-02	GREASE		1

F K3000 VAC
K3000 WET

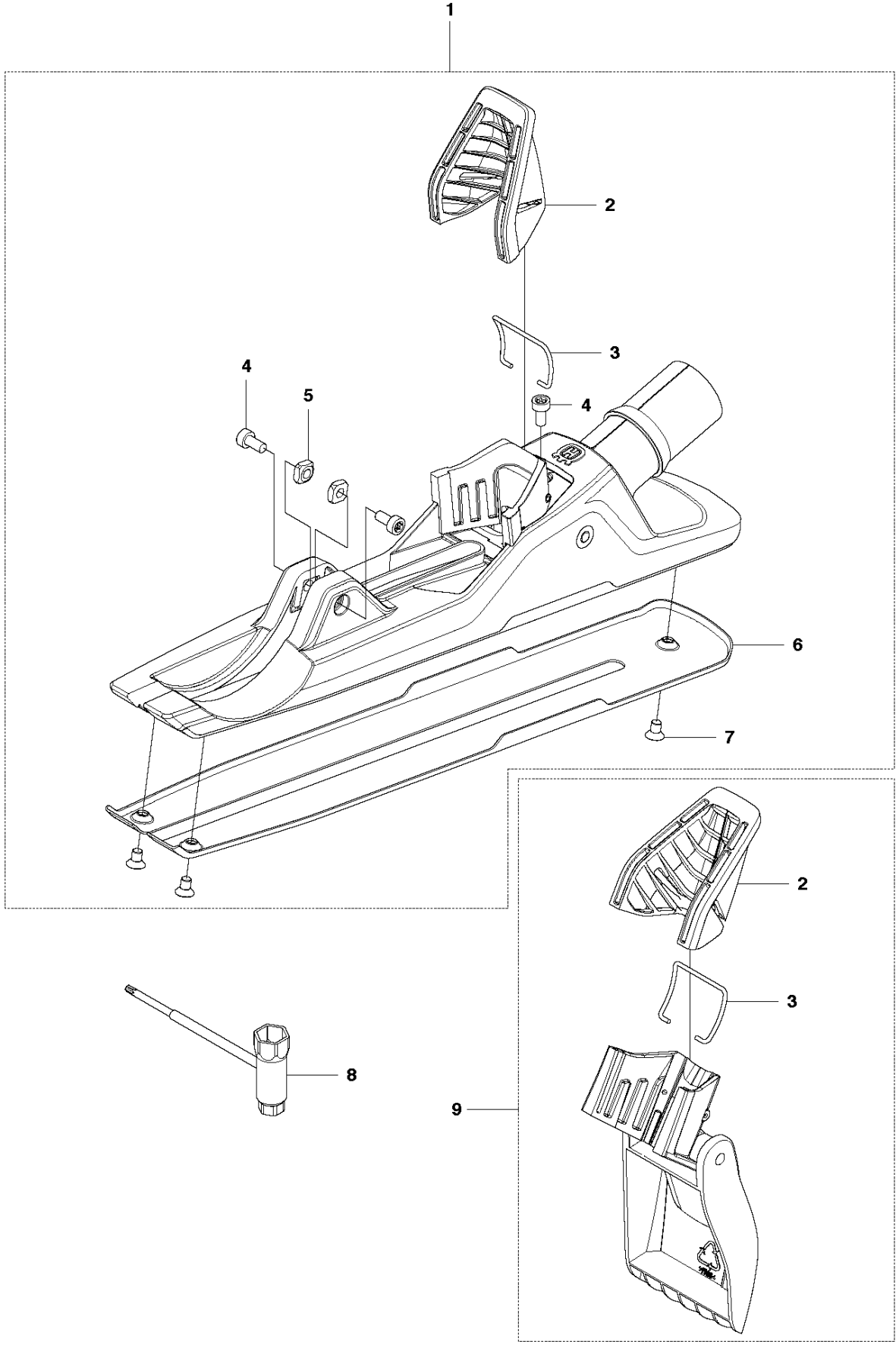


WHEELS & TIRES

K3000 VAC, 2012-01

Ref	Part No	Description	Remark	QTY KIT
1	577 71 69-01	WHEEL GUARD	Incl. 2 - 6	1
2	576 78 61-01	ADAPTER		1
3	504 90 94-10	SCREW ITXSCT		2
4	576 79 77-01	HANDLE HALF		1
5	576 79 76-01	HANDLE HALF		1
6	506 26 63-02	LINING		1

G K3000 VAC
K3000 WET



VAC UNIT

K3000 VAC, 2012-01

Ref	Part No	Description	Remark	QTY KIT
1	523 09 50-01	VAC KIT	Incl. 2 - 7	1
2	576 63 10-01	LOCKING HANDLE		1
3	576 63 15-01	SPRING		1
4	503 21 53-11	SCREW ITXSCM		3
5	503 22 65-04	SQUARE NUT		2
6	576 63 07-01	SKID PLATE		1
7	725 63 25-01	SCREW IHCSFM		3
8	506 38 26-01	TOOL		1
9	577 93 53-01	SPRAY GUARD ASSY	Incl. 2 - 3	1