

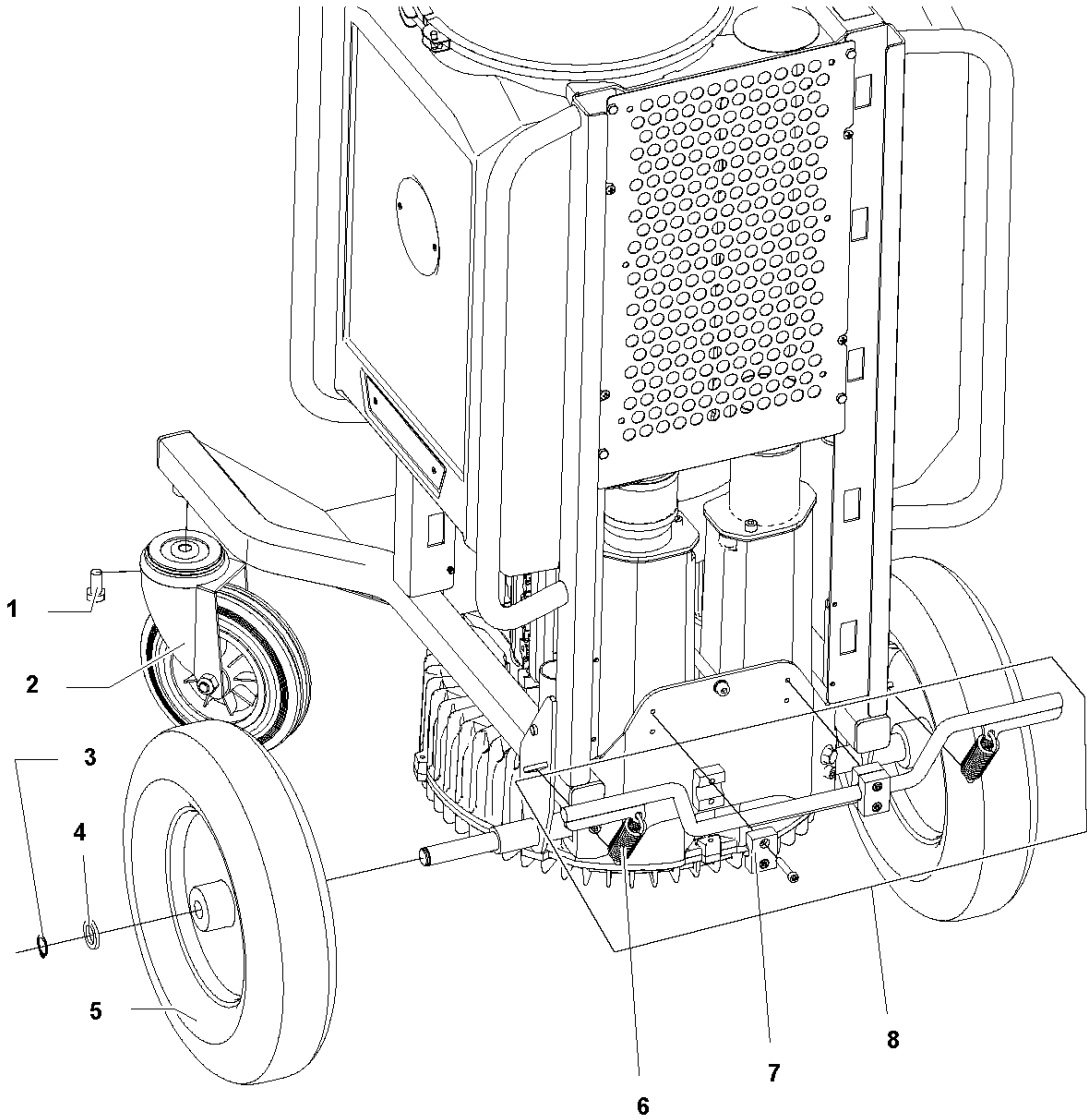


SPARE PARTS LIST

DUST AND SLURRY MANAGEMENT

HTC D60, 967839910, 967839911,
967839912, 967839913, 2021-01

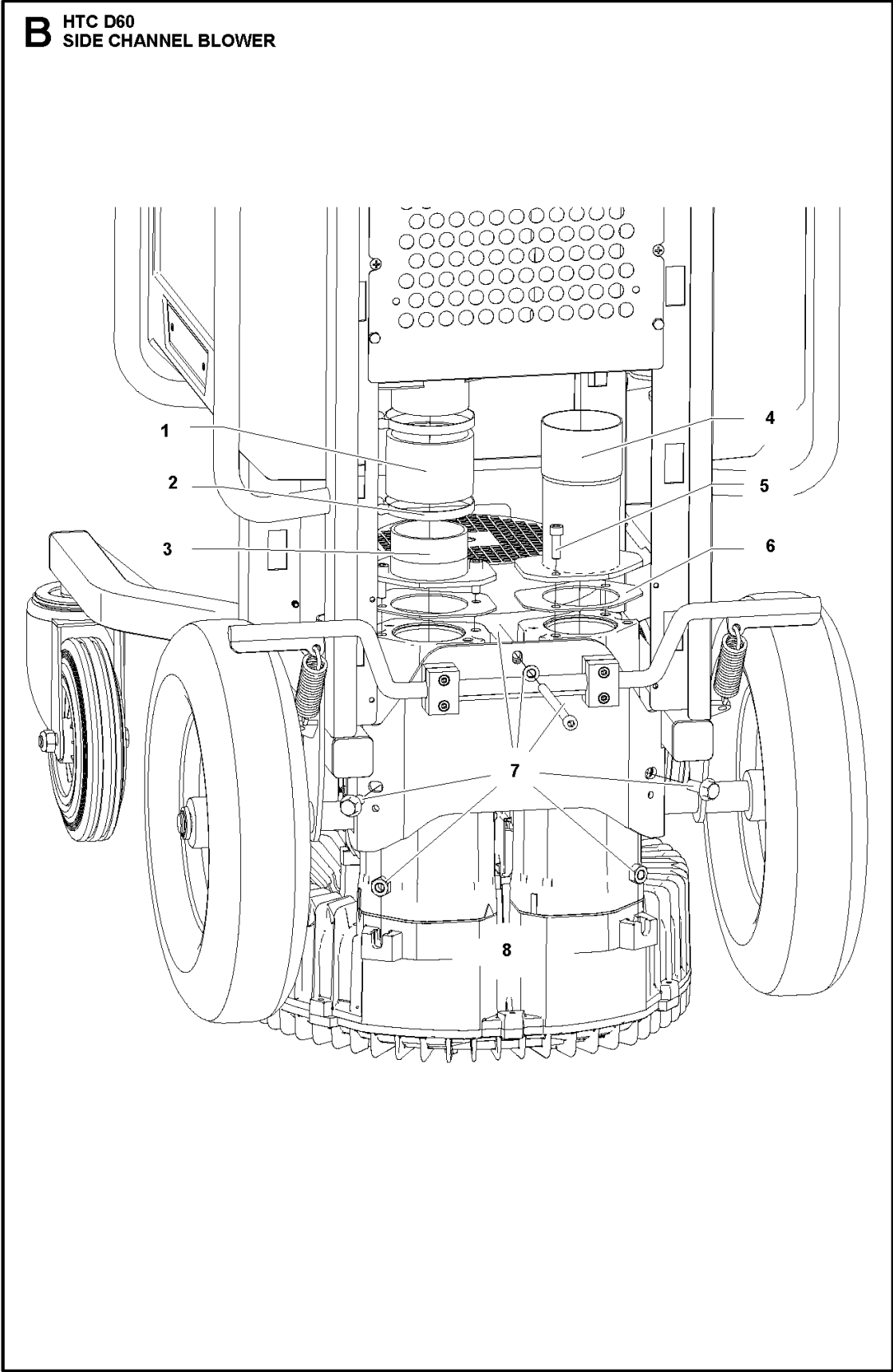
A HTC D60
WHEELS & BRAKE



WHEELS & BRAKE

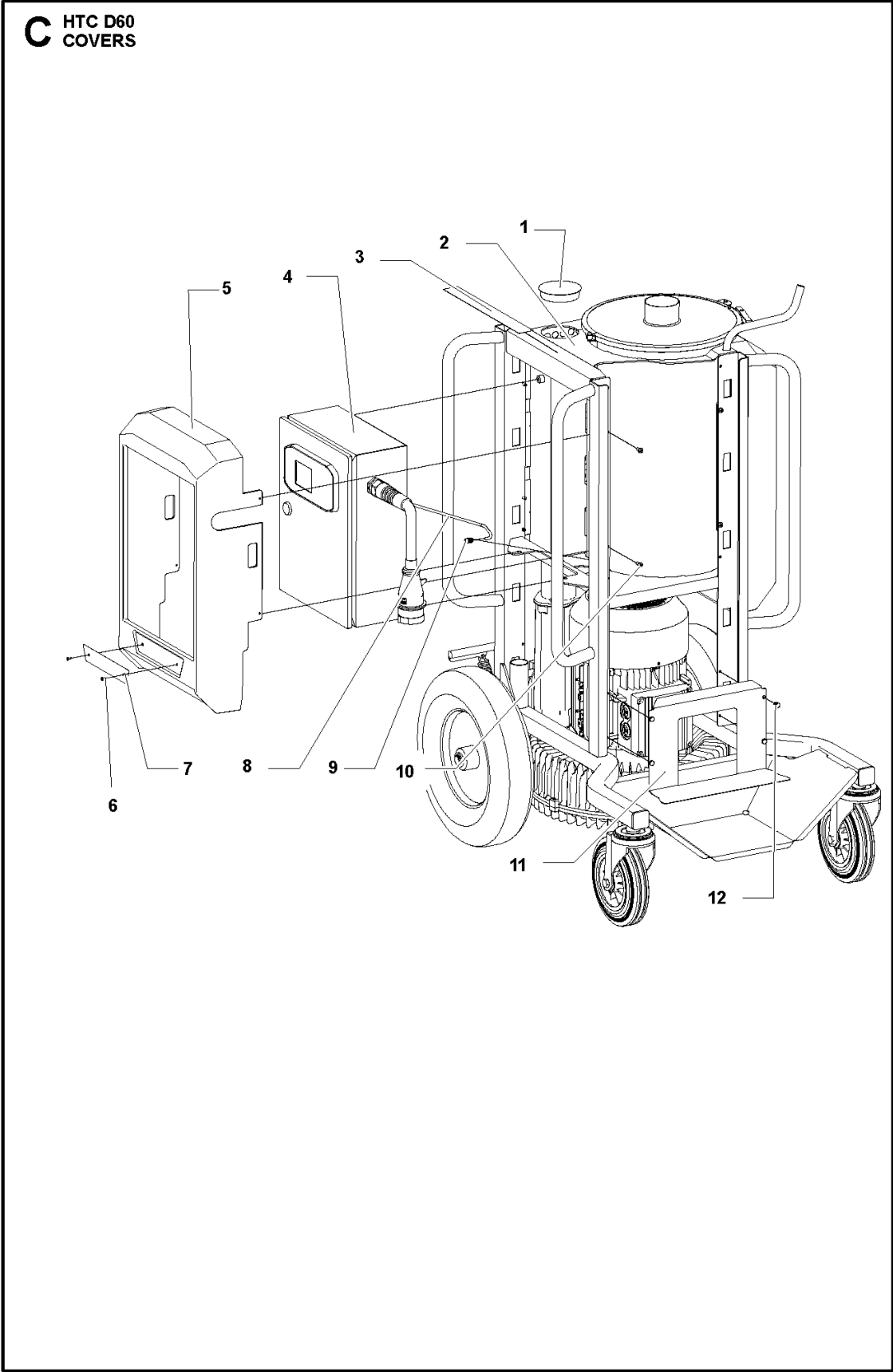
HTC D60, 967839910, 967839911, 967839912, 967839913, 2021-01

Ref	Part No	Description	Remark	QTY KIT
1	593 49 59-01	SCREW	SCREW M12X25	2
2	595 66 25-01	WHEEL	WHEEL SWIVEL	2
3	593 49 63-01	CIRCLIP	CIRCLIP SGA 20	2
4	595 68 25-01	WASHER	WASHER 21X32X4	2
5	593 96 46-01	WHEEL	WHEEL Ø380X90 GREY	2
6	593 52 70-01	SPRING	TENSION SPRING	2
7	595 66 26-01	PIPE	BRACKET Ø17.2MM	4
8	595 65 81-01	BRAKE	BRAKE KIT	1



SIDE CHANNEL BLOWER HTC D60, 967839910, 967839911, 967839912, 967839913, 2021-01

Ref	Part No	Description	Remark	QTY KIT
1	593 46 40-01	HOSE	HOSE 3"	1
2	593 44 50-01	HOSE CLAMP	HOSE CLAMP 3"	2
3	0	TBD	INLET PIPE	1
4	595 71 52-01	EXHAUST	EXHAUST PIPE	1
5	593 50 28-01	SCREW	SCREW M8X20	4
6	595 71 53-01	GASKET	GASKET BLOWER	2
7	595 65 82-01	SCREW	SCREW KIT SIDE CHANNEL BLOWER	1
8	595 74 37-01	FAN	SIDE CHANNEL BLOWER 5,5KW 230/400V	1
8	595 74 38-01	FAN	SIDE CHANNEL BLOWER 5,5KW 400/690V	1

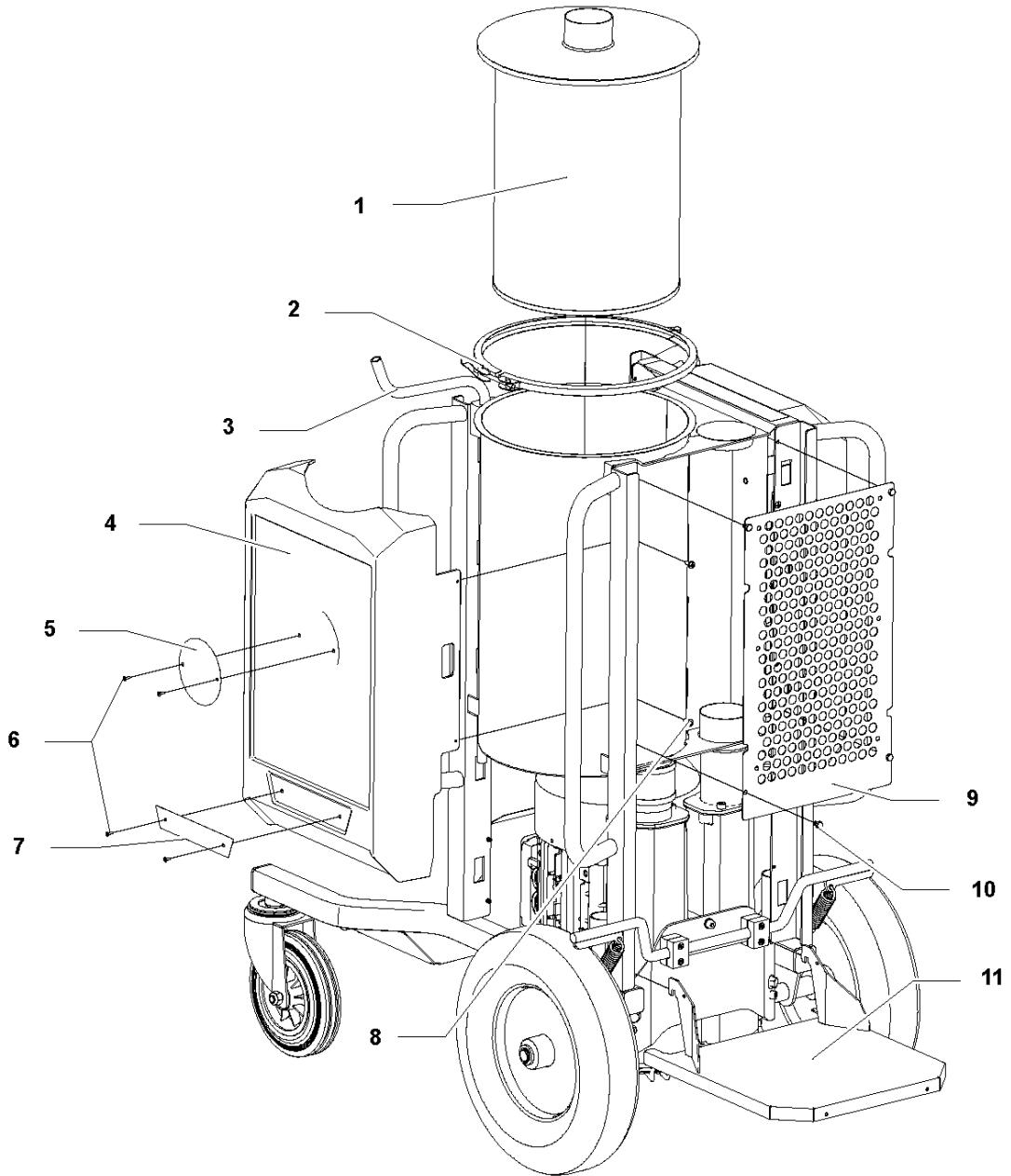


COVERS

HTC D60, 967839910, 967839911, 967839912, 967839913, 2021-01

Ref	Part No	Description	Remark	QTY KIT
1	595 66 37-01	BARREL	PLUG Ø85MM	1
3	595 66 42-01	DECAL	DECAL WARNINGS VAC	1
2	595 71 51-01	CHASSIS	CHASSIS	1
4	595 77 27-02	POWER UNIT	POWER UNIT DUST EXTR. 15-24A, 3x200- 480V, MOTOR	1
4	595 77 28-02	POWER UNIT	POWER UNIT DUST EXTR. 9-15A, 3x200-480V, 1 MOTOR	1
5	529 52 28-02	COVER	CABINET COVER	1
6	593 58 31-01	RIVET	BLIND RIVET 4,8X16	2
7	529 50 82-01	DECAL		
9	595 66 28-01	CONNECTOR	CONNECTOR BLACK ELBOW 4MM - M5	1
10	593 63 02-01	SCREW	RXS ST 5.5X16	4
11	595 71 62-01	COVER	MOTOR COVER	1
12	593 49 54-01	SCREW	MC6S M6X10	4

D HTC D60
COVERS & FINE FILTER

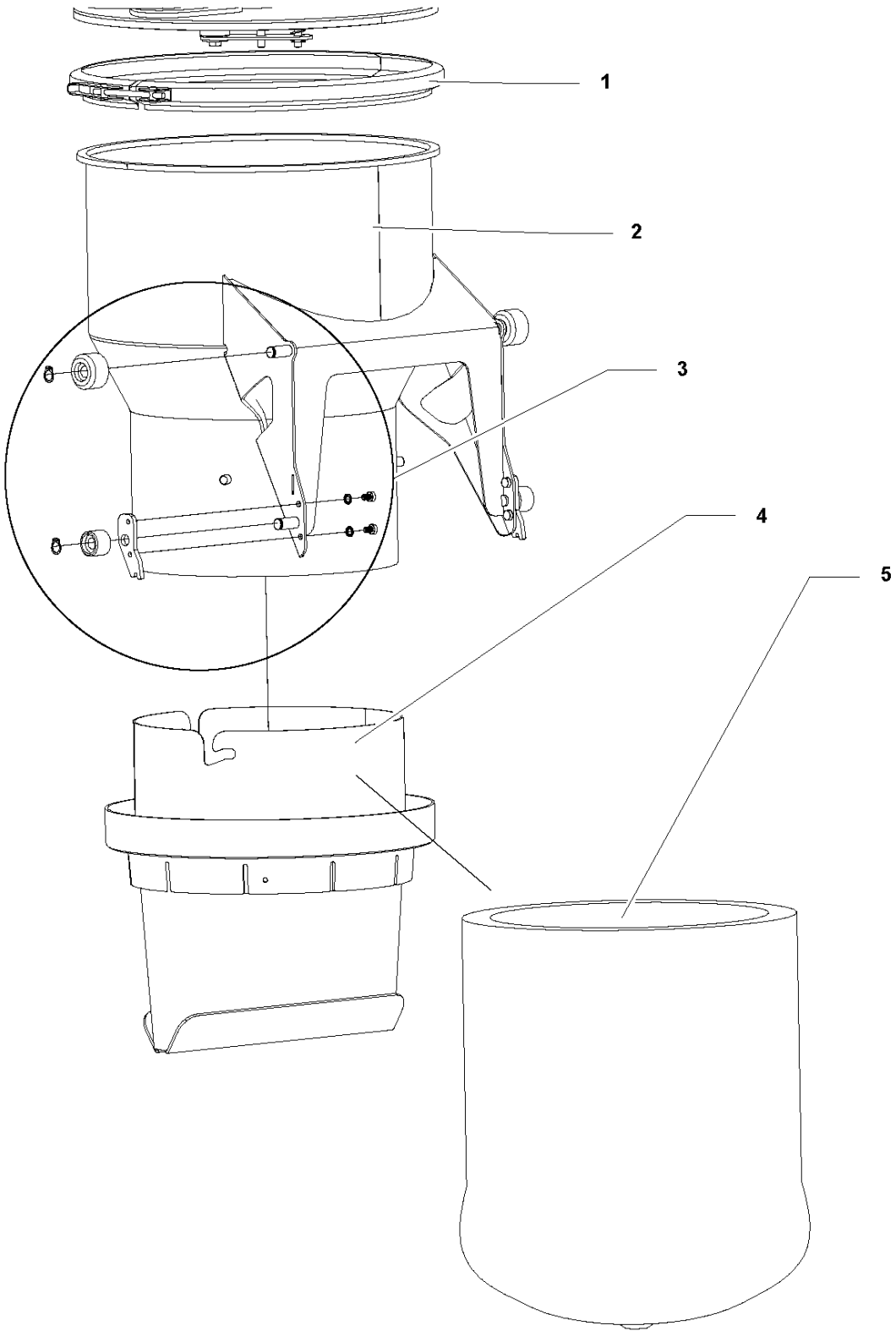


COVERS & FINE FILTER

HTC D60, 967839910, 967839911, 967839912, 967839913, 2021-01

Ref	Part No	Description	Remark	QTY KIT
1	593 54 55-01	FILTER	HEPA 13 FILTER	1
2	595 76 46-01	DRUM	LOCKING RING Ø350	1
3	595 71 83-01	CABLE	CABLE HOOK	1
4	529 52 32-02	COVER	SIDE COVER	1
5	529 52 22-01	DECAL	DECAL HTC LOGO Ø110	1
6	593 58 31-01	RIVET	BLIND RIVET 4,8X16	2
7	529 50 82-01	DECAL		1
8	593 63 02-01	SCREW	RXS ST 5.5X16	4
9	0	TBD	EXHAUST DIFFUSER	1
10	593 49 54-01	SCREW	MC6S M6X10	4
11	595 72 14-01	BAG	DUST BAG SHELF	1

E HTC D60
BOTTOM PARTS

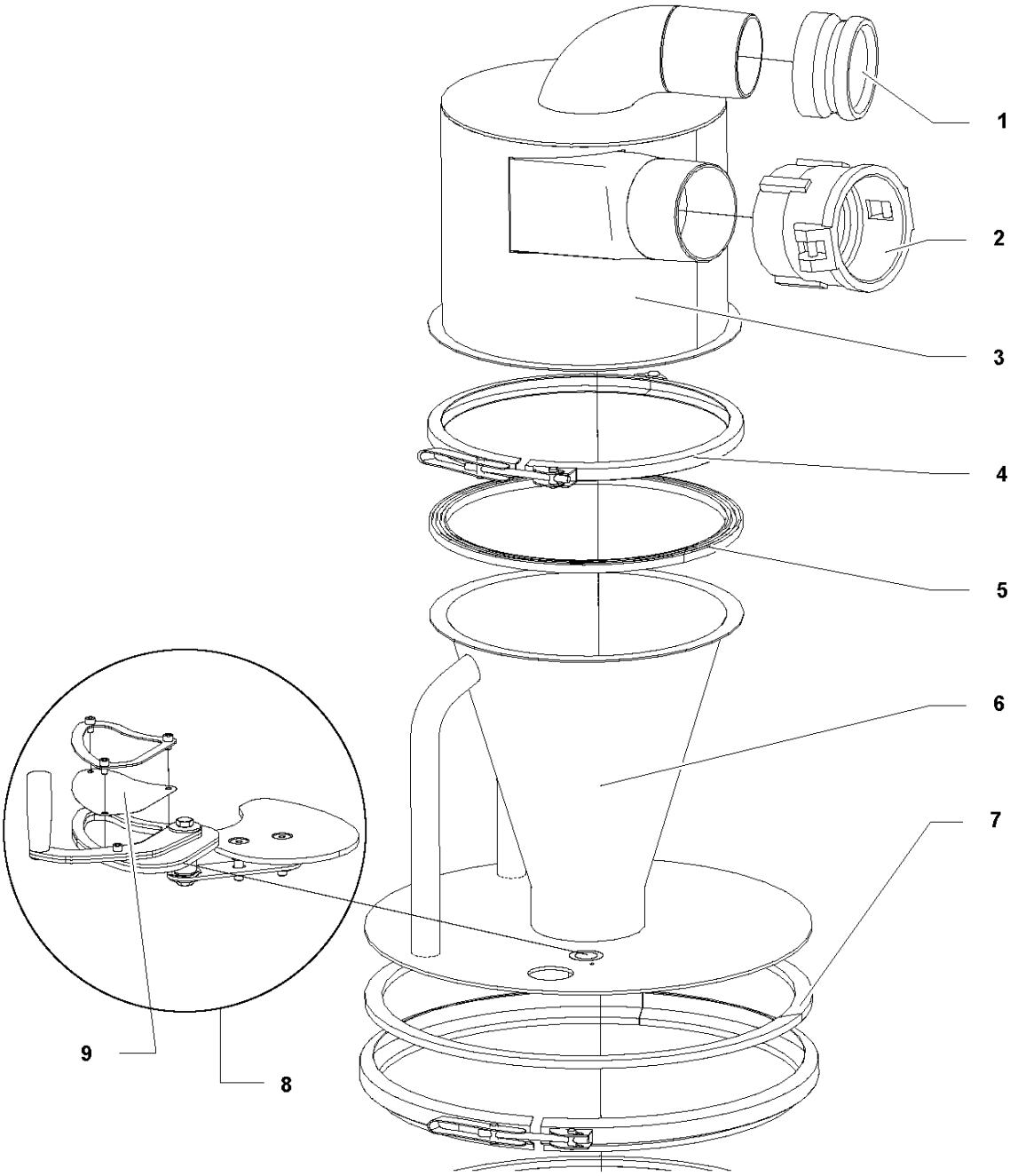


BOTTOM PARTS

HTC D60, 967839910, 967839911, 967839912, 967839913, 2021-01

Ref	Part No	Description	Remark	QTY KIT
1	595 76 44-02	DRUM		1
2	596 78 86-02	SEPARATOR	BOTTOM SECTION PRESEPARATOR	1
4	593 53 47-01	HOLDER	DUCK BILL VALVE	1
5	593 44 64-01	BOX	LONGOPAC 4/BOX	1

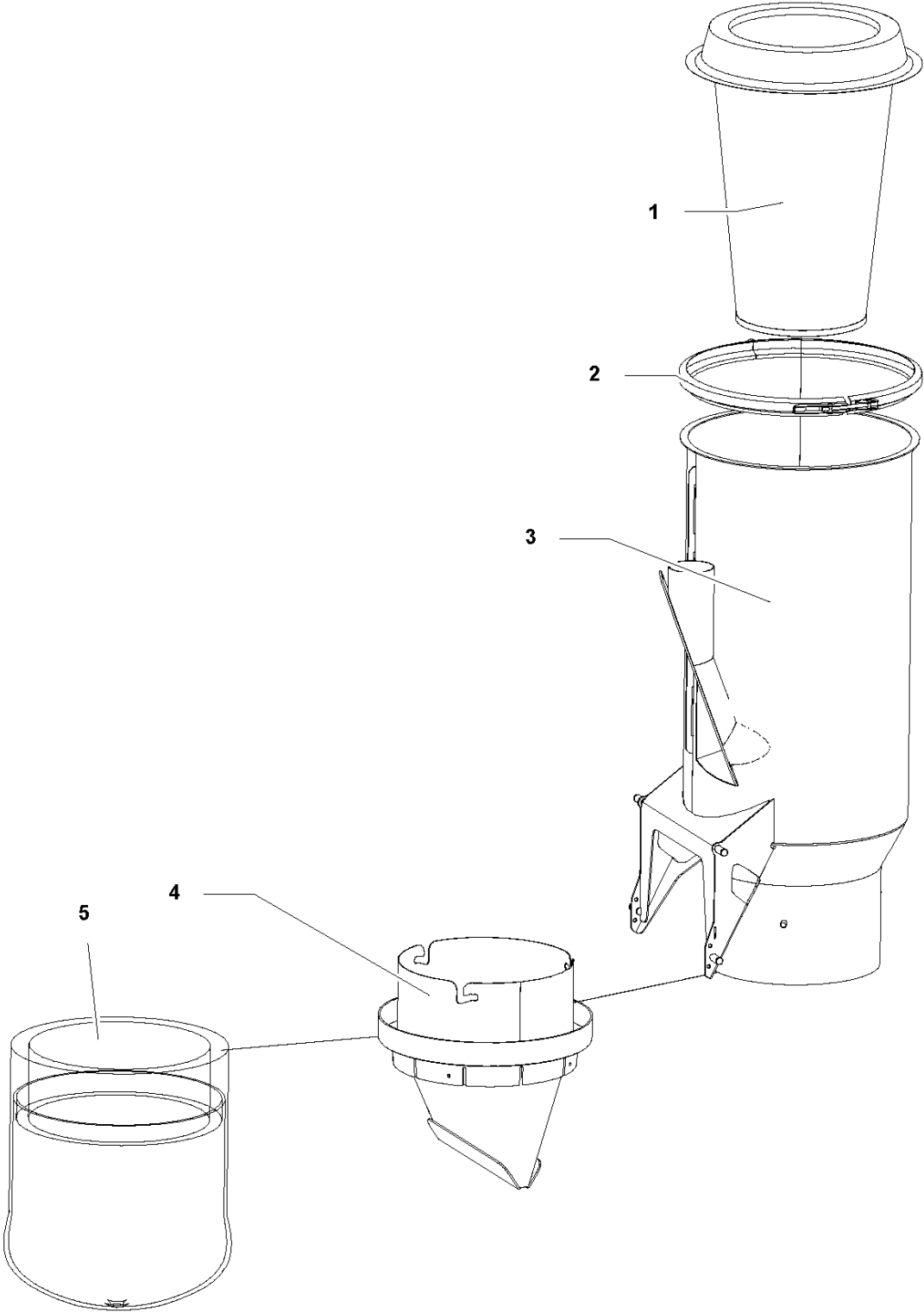
F HTC D60
TOP PARTS & BYPASS VALVE



TOP PARTS & BYPASS VALVE HTC D60, 967839910, 967839911, 967839912, 967839913, 2021-01

Ref	Part No	Description	Remark	QTY KIT
1	593 45 74-01	THREAD INSERT	CAMLOCK MALE 3" INT. 2,5" THREAD	1
2	593 45 77-01	THREAD INSERT	CAMLOCK FEMALE INT. 3" THREAD	1
3	595 72 11-02	SEPARATOR	TOP SECTION PRESEPARATOR	1
4	595 76 45-02	DRUM	LOCKING RING Ø275	1
5	593 44 42-01	STRIP	RUBBER SEAL 15X8, 1M	1
6	529 52 34-02	CONE	CONE SECTION PRESEPARATOR	1
7	593 44 42-01	STRIP	RUBBER SEAL 15X8, 1.3M	1
8	595 71 99-02	VALVE	PRESEPARATOR VALVE D60	1
9	595 71 89-01	SEPARATOR	PRESEP. VALVE FILTER	1

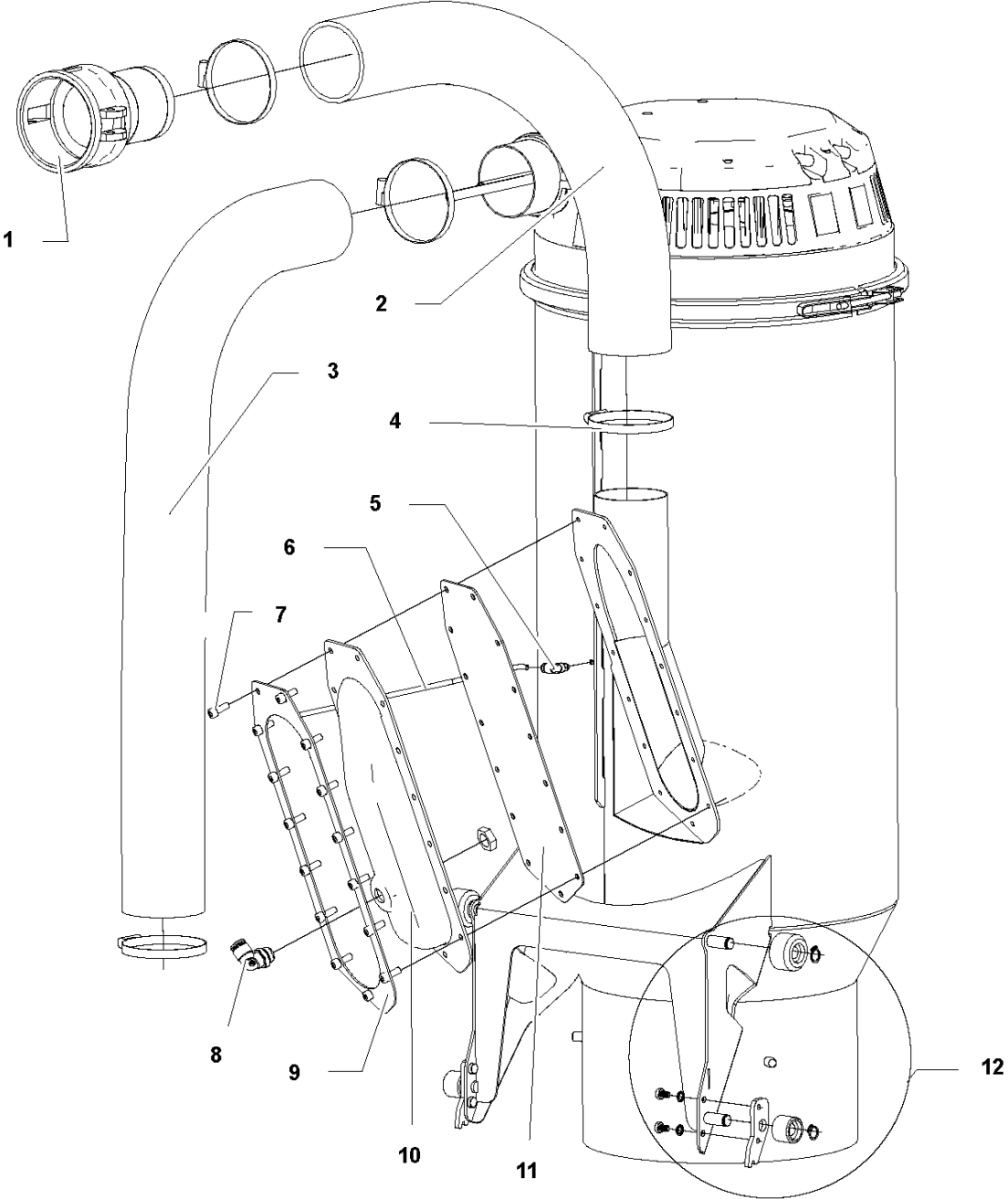
G HTC D60
BOTTOM PARTS & COARSE FILTER



BOTTOM PARTS & COARSE FILTER HTC D60, 967839910, 967839911, 967839912, 967839913, 2021-01

Ref	Part No	Description	Remark	QTY KIT
1	593 54 59-01	FILTER	COARSE FILTER CONICAL PTFE	1
2	595 76 44-02	DRUM		1
3	597 25 52-02	FILTER	FILTER TANK	1
4	593 53 47-01	HOLDER	DUCK BILL VALVE	1
5	593 44 64-01	BOX	LONGOPAC 4 ST MAG/FÖRP.	1

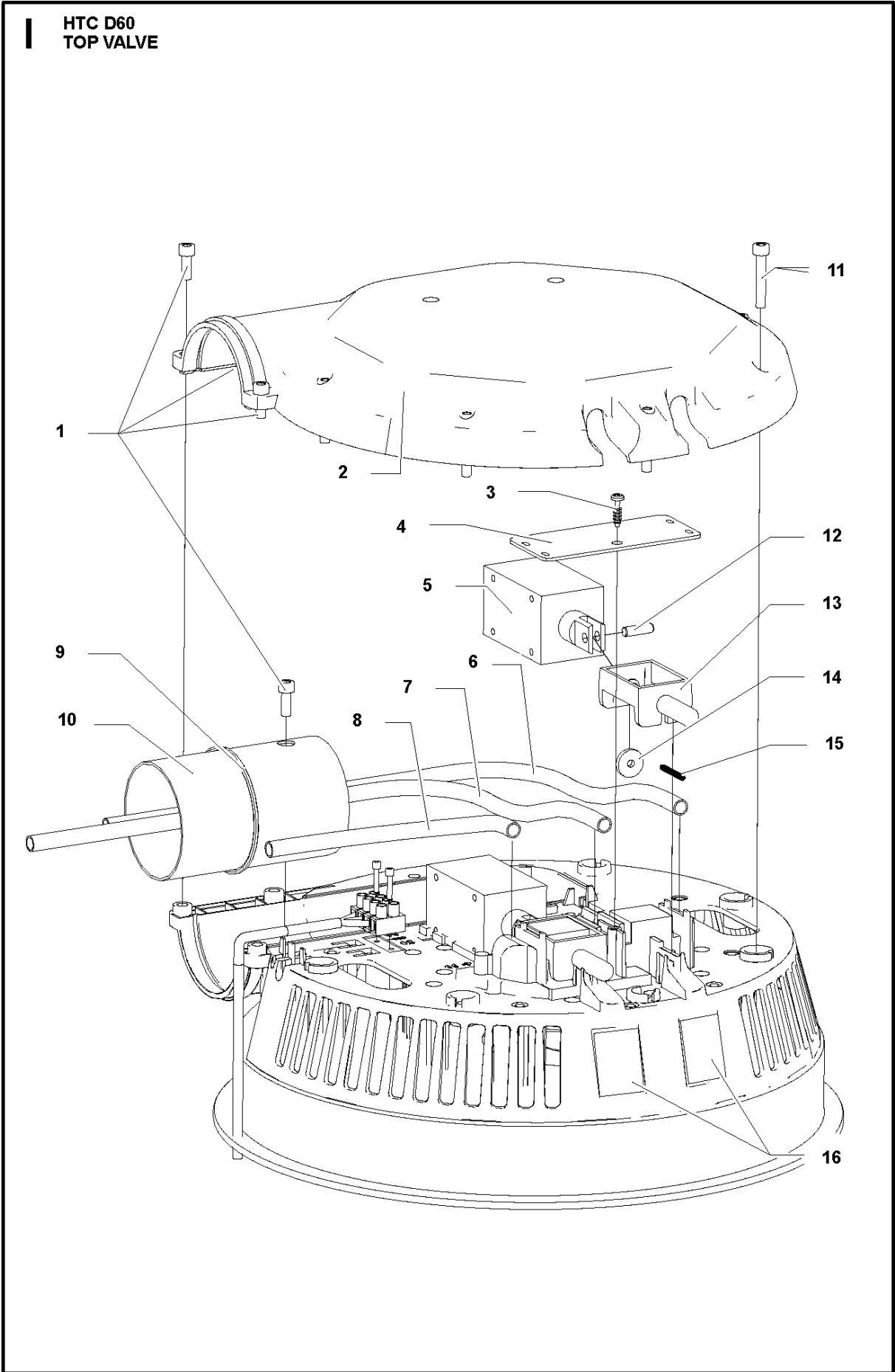
H HTC D60
HOSES & INLET VALVE



HOSES & INLET VALVE

HTC D60, 967839910, 967839911, 967839912, 967839913, 2021-01

Ref	Part No	Description	Remark	QTY KIT
1	593 45 78-01	HOSE COUPLING	CAMLOCK FEMALE 3" HOSE SHANK	1
2	593 47 86-01	HOSE	HOSE 3" PU ANTI-STATIC TRANSP., 0.75M	1
3	593 47 86-01	HOSE	HOSE 3" PU ANTI-STATIC TRANSP., 0.87M	1
4	593 44 50-01	HOSE CLAMP	HOSE CLAMP 3"	4
5	595 66 28-01	CONNECTOR	CONNECTOR BLACK ELBOW 4MM - M5	1
6	595 66 30-02	HOSE	65cm	
7	593 50 07-01	SCREW	SCREW M6X16 8.8 ZP DL DIN 912	15
8	595 66 29-01	CONNECTOR	CONNECTOR BLK ELBOW 10MM - 3/8	1
9	595 72 12-01	INLET	LID WASHER INLET VALVE	1
10	0	TBD	LID INLET VALVE	1
11	595 72 07-01	INLET	INLET VALVE GASKET	1

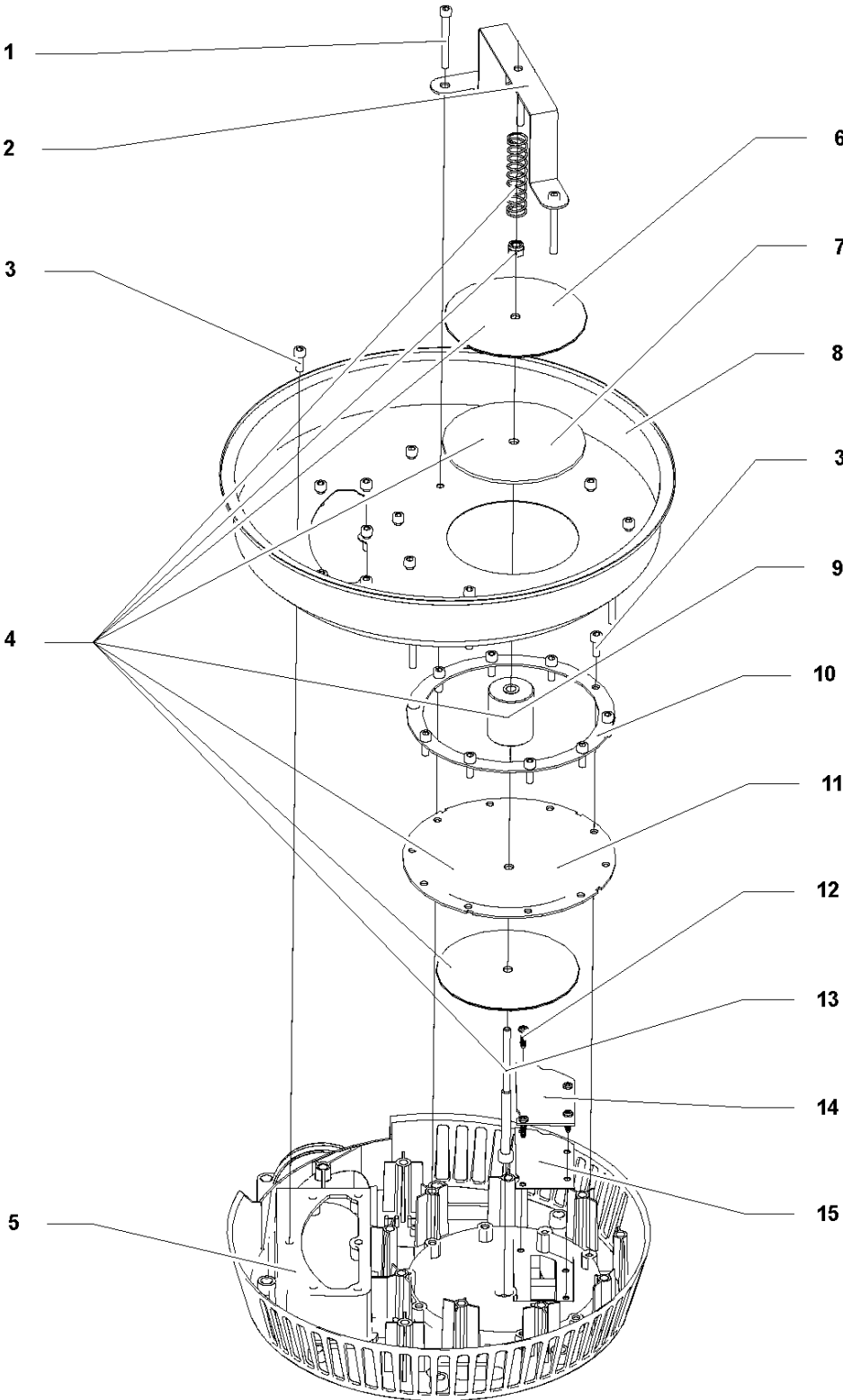


TOP VALVE

HTC D60, 967839910, 967839911, 967839912, 967839913, 2021-01

Ref	Part No	Description	Remark	QTY KIT
1	593 50 07-01	SCREW	SCREW M6X16	4
2	595 71 71-02	PURGE	PURGE VALVE TOP	1
3	595 68 26-01	SCREW	SCREW 5X16	1
4	0	TBD	PURGE VALVE LID BUTTON	1
5	595 74 66-01	SOLENOID	SOLENOID LINEAR	2
6	595 66 27-01	HOSE	HOSE 10/8 MM BLACK, 1.35M	1
7	595 66 27-01	HOSE	HOSE 10/8 MM BLACK, 1.35M	1
8	595 66 27-01	HOSE	HOSE 10/8 MM BLACK, 1M	1
9	595 66 36-01	O-RING	O-RING SEAL 76X3,0	1
10	0	TBD	PURGE VALVE OUTLET PIPE	1
11	593 50 42-01	SCREW	SCREW M6X35	9
12	593 49 89-01	PIN	PARALLEL PIN CP 6H8X20	2
13	595 71 70-01	PURGE	PURGE VALVE BUTTON	2
14	595 71 77-01	PURGE	PURGE VALVE RUBBER SEAL	2
15	595 66 34-01	PURGE	PURGE VALVE SPRING	2
16	595 68 30-01	SCREW	MC6S M3X16	2
17	0	TBD	CABLE FILTER CLEANER VALVE	1
18	595 66 41-01	DECAL	DECAL D60 FILTER PURGING	1

J HTC D60
TOP VALVE

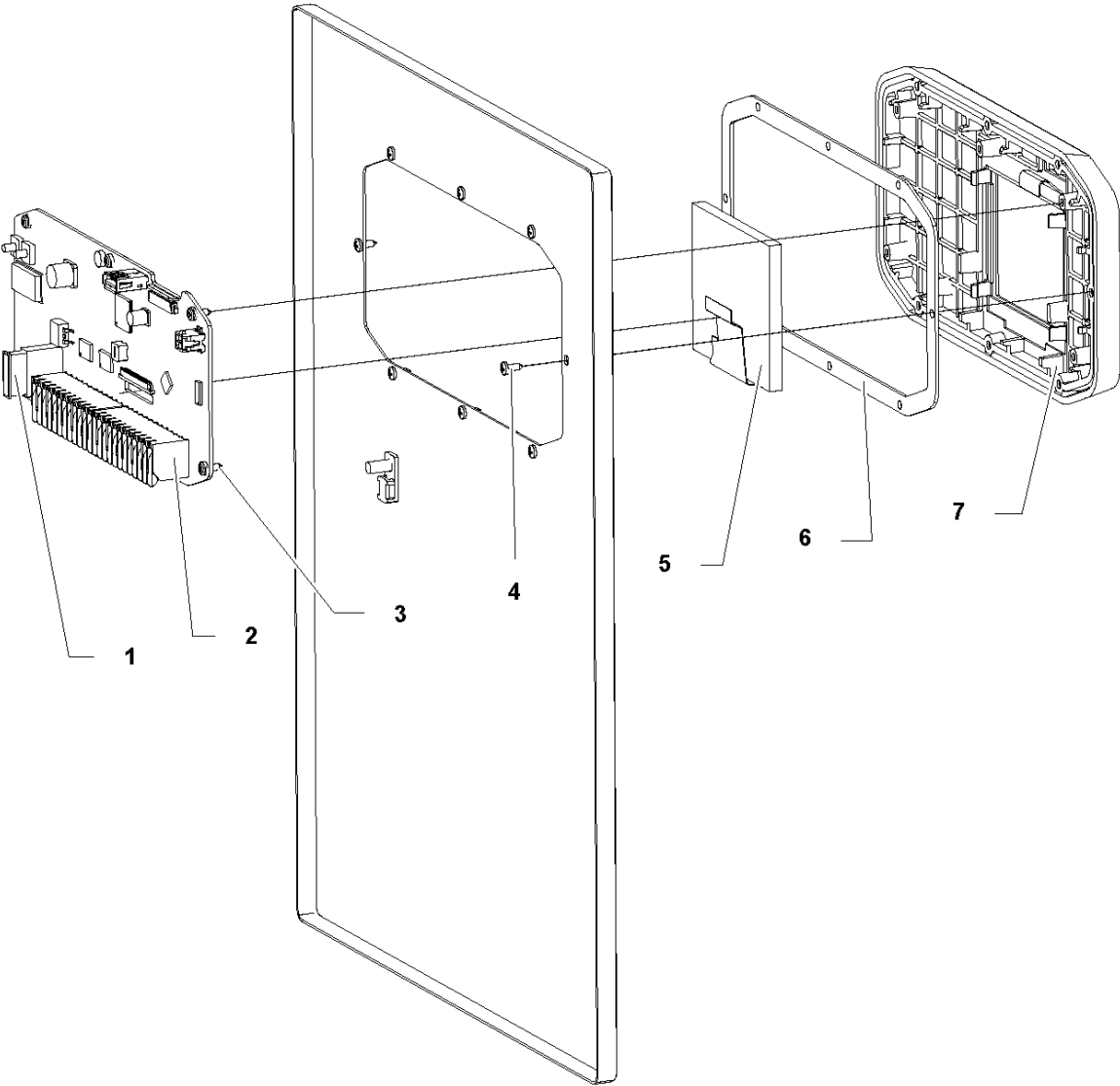


TOP VALVE

HTC D60, 967839910, 967839911, 967839912, 967839913, 2021-01

Ref	Part No	Description	Remark	QTY KIT
1	595 68 29-01	SCREW	MC6S M6X55	11
2	595 71 79-01	BRACKET	BRACKET PLATE SPRING	1
3	593 50 07-01	SCREW	SCREW M6X16	16
4	595 65 84-01	PURGE	PURGE VALVE KIT	1
5	0	TBD	PURGE VALVE BASE	1
6	0	TBD	PURGE VALVE LID PLATE	2
7	595 71 81-01	PURGE	PURGE VALVE GASKET	1
8	595 71 85-02	FILTER	FILTER TANK TOP	1
9	0	TBD	DISTANCE SLEEVE	1
10	0	TBD	MEMBRANE PLATE	1
11	595 71 82-01	PURGE	PURGE VALVE MEMBRANE	1
12	595 68 26-01	SCREW	SCREW 5X16	4
13	0	TBD	PURGE VALVE SHAFT	1
14	0	TBD	PURGE VALVE LID	1
15	595 71 84-01	PURGE	GASKET PURGE VALVE LID	1

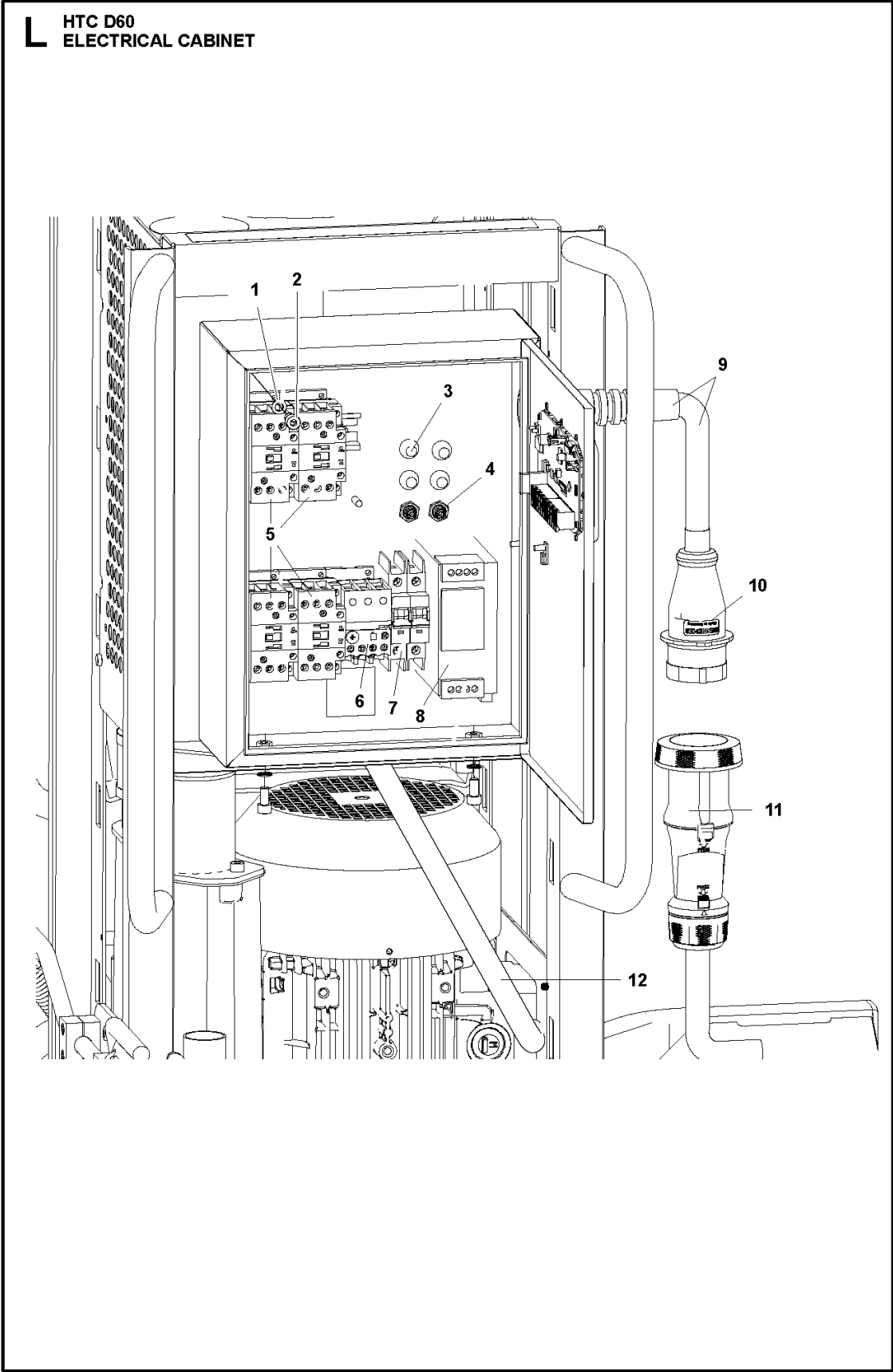
K HTC D60
CONTROL PANEL



CONTROL PANEL

HTC D60, 967839910, 967839911, 967839912, 967839913, 2021-01

Ref	Part No	Description	Remark	QTY KIT
1-7	595 53 14-01	CONTROL PANEL	CONTROL PANEL CMPL.	1
1	593 55 79-01	FUSE	FUSE 4A	1
2	595 53 15-01	CONTROL PANEL	CONTROL PANEL CIRCUIT BOARD	1
3	595683501	TBD	SCREW WN 1452 3X8	6
4	595683601	TBD	SCREW WN 1452 3.5X8	8
5	595 66 40-01	DISPLAY	DISPLAY 3.5"	1
6	595 71 68-01	CONTROL	CONTROL PANEL - SEAL	1
7	595 65 85-01	CONTROL	CONTROL PANEL - FRONT	1

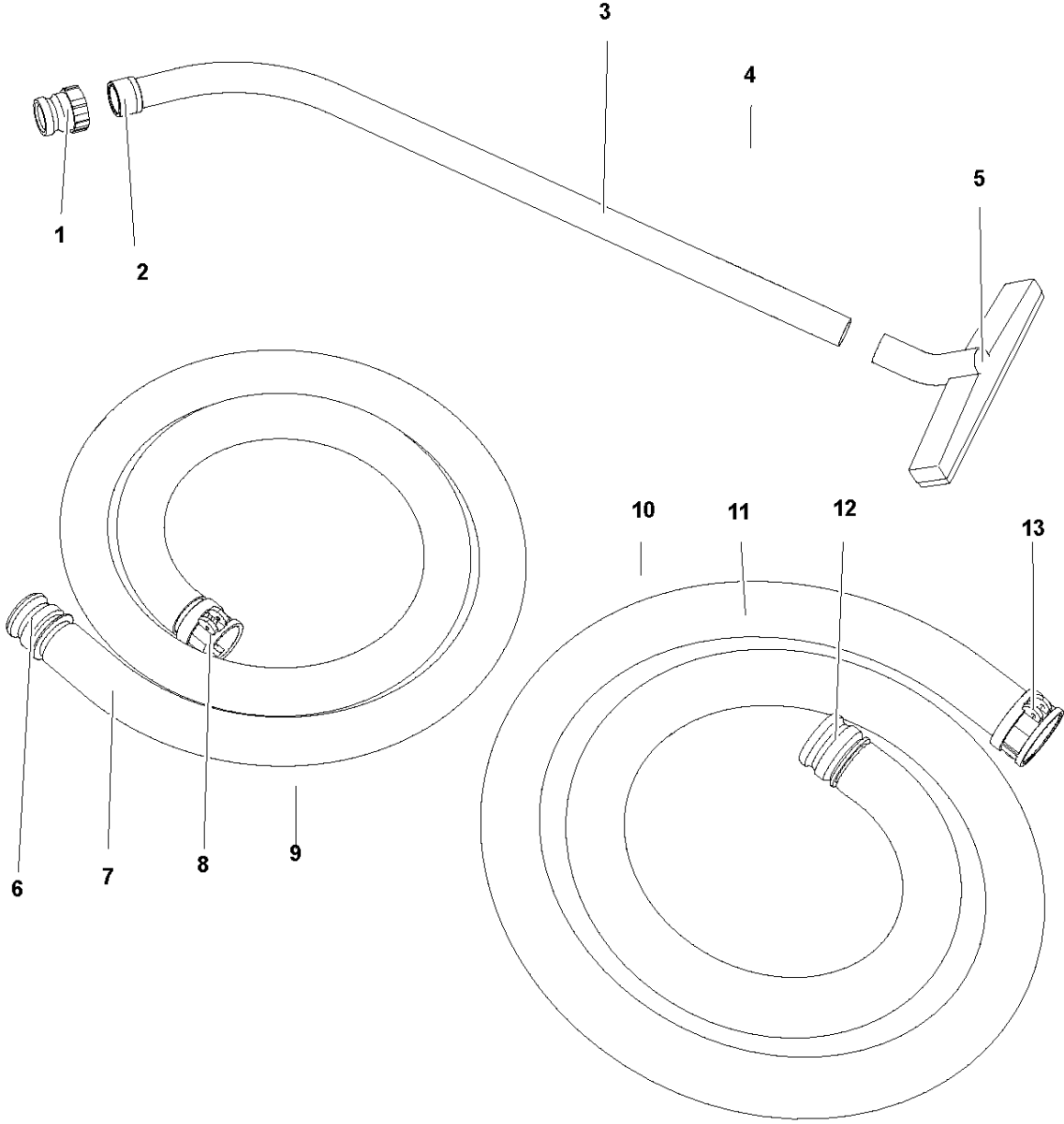


ELECTRICAL CABINET

HTC D60, 967839910, 967839911, 967839912, 967839913, 2021-01

Ref	Part No	Description	Remark	QTY KIT
1	593 51 11-01	LOCKWASHER	SERRATED LOCK WASHER M8	3
2	593 50 06-01	SCREW	SCREW M8X16	3
3	595746901	TBD	RUBBER PLUG M16	4
4	595665801	TBD	BULK HEAD CONNECTOR	2
5	593 55 94-01	CONTACTOR	CONTACTOR 30A 24VDC 230V	4
5	595 68 40-01	CONTACTOR	CONTACTOR 18A 24VDC 400-480V	4
6	595 74 67-01	RELAY	THERMAL RELAY 16A 230V	1
6	595 74 70-01	RELAY	THERMAL RELAY 30A 400-480V	1
7	593 56 01-01	CIRCUIT BREAKER	CIRCUIT BREAKER 2-P 5A	1
8	595 74 65-01	POWER UNIT	POWER SUPPLY 24VDC 5A	1
9	595773001	TBD	POWER CABLE 230V	1
9	595 77 29-01	CABLE	POWER CABLE 400-480V	1
10	593 55 76-01	PLUG	PLUG 30A 3X200V	1
10	593 58 47-01	PLUG	PLUG 20A 3X400V	1
10	593 58 46-01	PLUG	PLUG 20A 3X480V	1
11	593 55 71-01	CONNECTOR	CONNECTOR 30A 3X200V	1
11	593 56 06-01	CONNECTOR	CONNECTOR 20A 3X400V	1
11	593 56 08-01	CONNECTOR	CONNECTOR 20A 3X480V	1
12	595773201	TBD	MOTOR CABLE 230V	1
12	595773101	TBD	MOTOR CABLE 400V	1

M HTC D60
CLEANING KIT



CLEANING KIT

HTC D60, 967839910, 967839911, 967839912, 967839913, 2021-01

Ref	Part No	Description	Remark	QTY KIT
1	593 46 00-01	THREAD INSERT	CAMLOCK MALE 2" INT. THREAD	1
2	593 45 98-01	ADAPTER	ADAPTER 51 PIPE TO 2" THREAD	1
3	593 44 46-01	PIPE	CLEANING WAND Ø 50	1
4	593 47 75-01	PIPE	CLEANING WAND INCL. FLOOR TOOL	1
5	593 46 74-01	NOZZLE	FLOOR NOZZLE 450 MM RUBBER	1
5	590 42 85-02	TOOL	RUBBER STRIPS GRD 450	1
5	590 42 85-03	TOOL	BRUSH STRIPS GRD 450	1
5	591 68 37-01	WHEEL	FLOOR NOZZLE ROLLER GRD 450	1
6	595 65 58-01	CAM LOCK	CAMLOCK MALE 3" HOSE SHANK 2"	1
7	593 47 84-01	HOSE	HOSE 2" PU ANTI-STATIC TRANSP.	1
8	593 45 97-01	HOSE COUPLING	CAMLOCK FEMALE 2" HOSE SHANK	1
9	595 65 59-01	HOSE	HOSE KIT 2" 3.3M CAMLOCK	1
10	593 47 88-01	HOSE KIT	HOSE KIT 3" 10M CAMLOCK	1
11	593 47 86-01	HOSE	HOSE 3" PU ANTI-STATIC TRANSP.	1
12	593 45 76-01	HOSE COUPLING	CAMLOCK MALE 3" HOSE SHANK	1
13	593 45 78-01	HOSE COUPLING	CAMLOCK FEMALE 3" HOSE SHANK	1