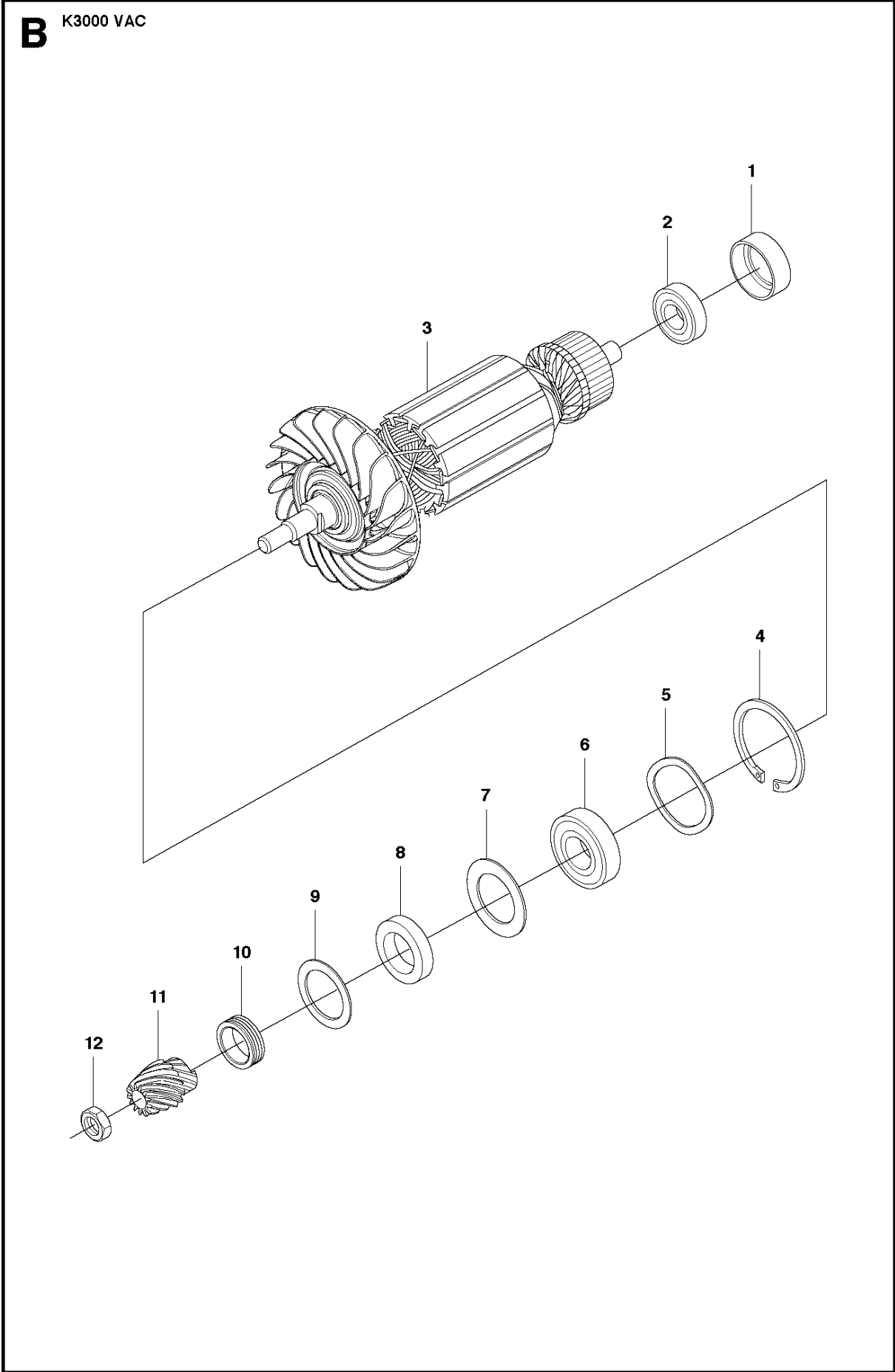




SPARE PARTS LIST

POWER CUTTERS

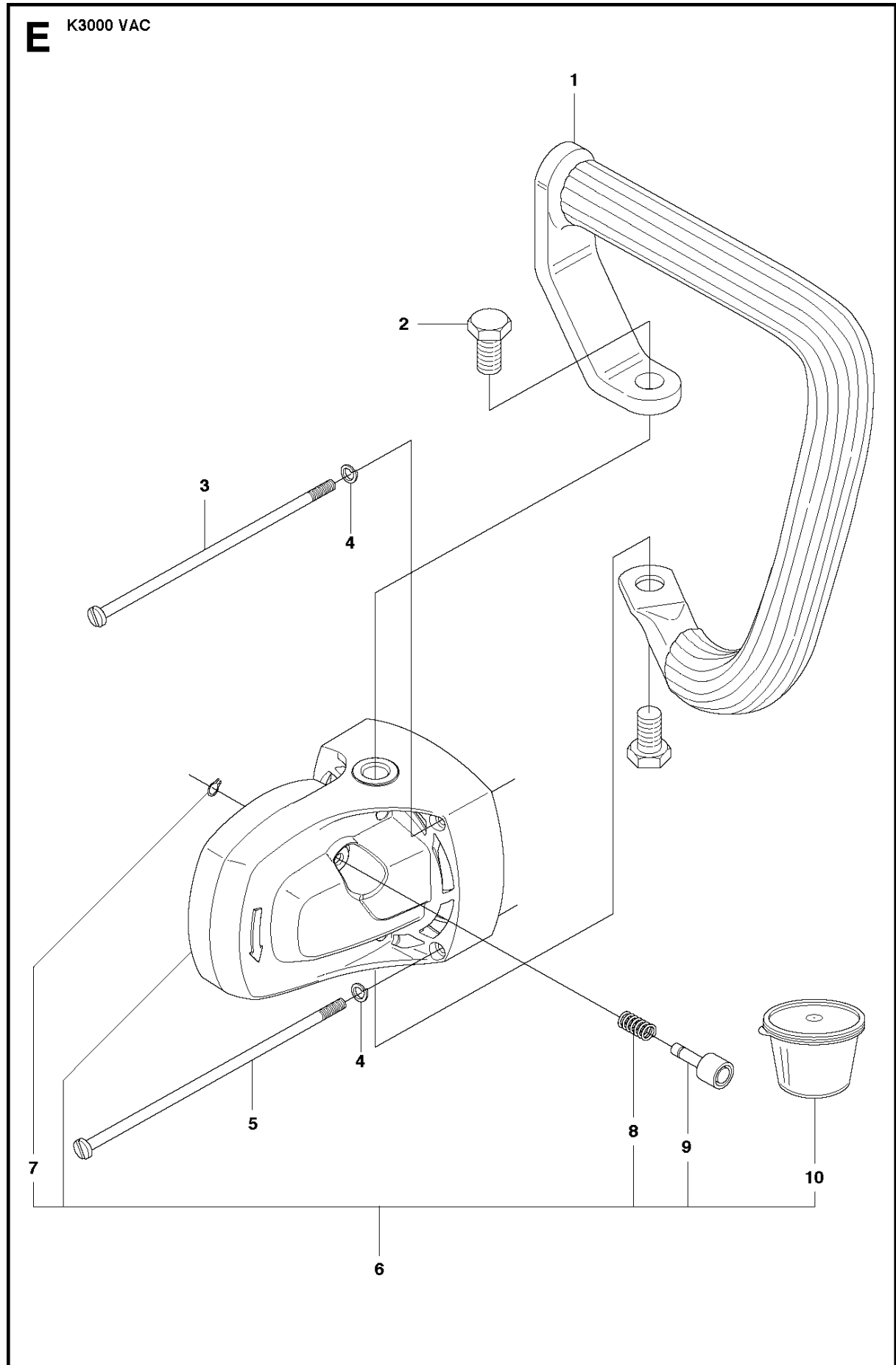
K3000 VAC, 2011-01



ARMATURE

K3000 VAC, 2011-01

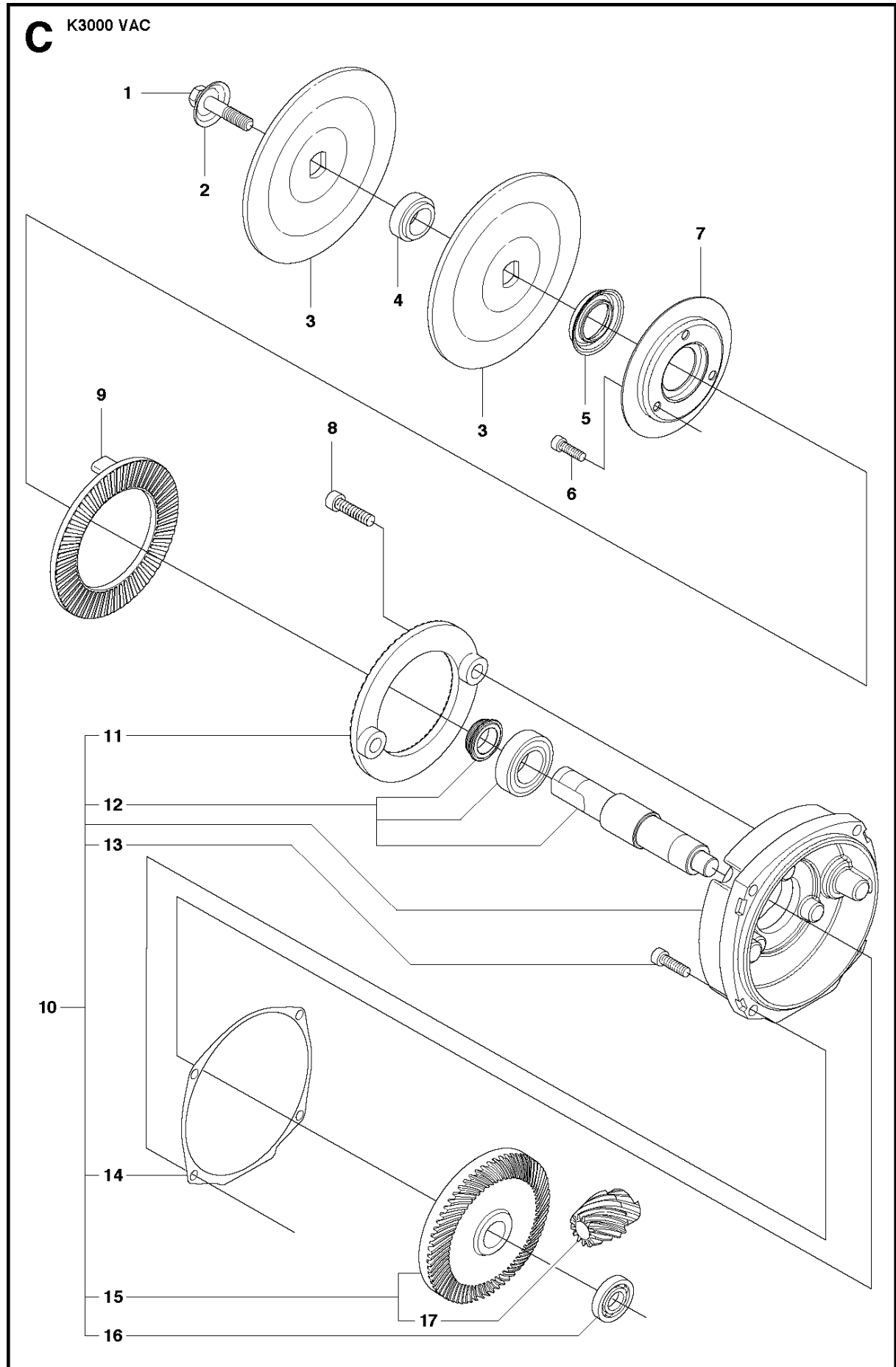
| Ref | Part No | Description | Remark | QTY KIT |
|-----|--------------|----------------|------------|---------|
| 1 | 505 53 03-14 | RUBBER BUSHING | | 1 |
| 2 | 503 25 09-01 | BALL BEARING | | 1 |
| 3 | 575 98 92-01 | ROTOR | 100 - 120V | 1 |
| 3 | 575 98 93-01 | ROTOR | 230V | 1 |
| 4 | 735 31 33-10 | CIRCLIP | | 1 |
| 5 | 505 53 03-51 | SPRING WASHER | | 1 |
| 6 | 531 07 39-44 | BALL BEARING | | 1 |
| 7 | 505 53 03-16 | SPACER | | 1 |
| 8 | 505 53 03-41 | FELT JOINT | | 1 |
| 9 | 505 53 03-52 | SPACER | | 1 |
| 10 | 505 53 03-19 | SPACER | | 1 |
| 11 | 506 09 86-02 | PINION | | 1 |
| 12 | 523 12 24-02 | NUT | | 1 |



GEAR HOUSING

K3000 VAC, 2011-01

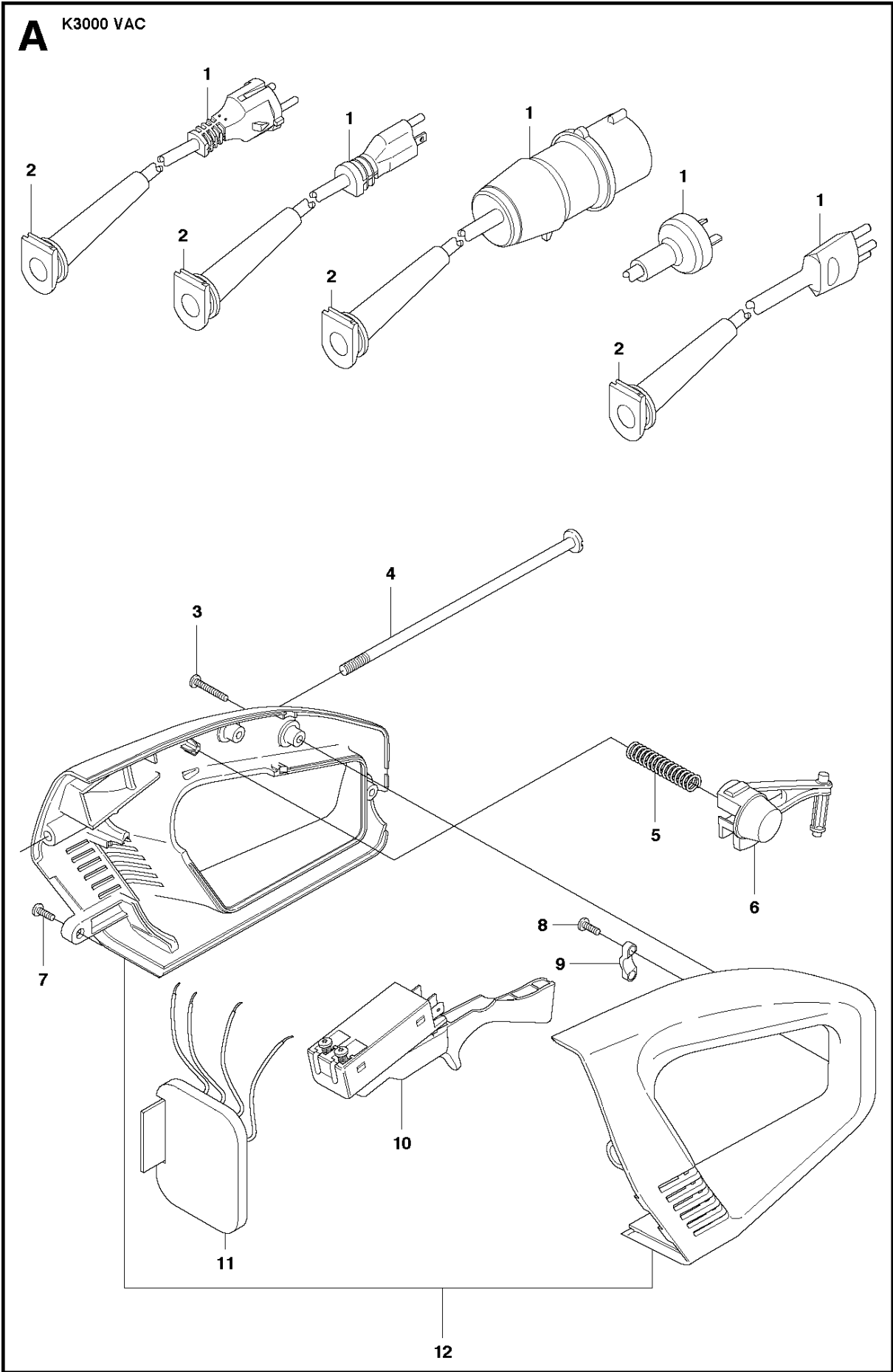
| Ref | Part No | Description | Remark | QTY KIT |
|-----|--------------|--------------|--------------|---------|
| 1 | 506 15 03-03 | HANDLE | | 1 |
| 2 | 531 03 12-76 | SCREW | | 2 |
| 3 | 505 53 03-11 | SCREW | | 1 |
| 4 | 522 46 40-01 | LOCK WASHER | | 2 |
| 5 | 531 03 18-94 | SCREW | | 1 |
| 6 | 544 40 34-01 | GEAR HOUSING | Incl. 7 - 10 | 1 |
| 7 | 735 31 08-00 | CIRCLIP | | 1 |
| 8 | 531 03 18-23 | SPRING | | 1 |
| 9 | 544 90 47-01 | SHAFT | | 1 |
| 10 | 574 20 62-01 | GREASE | | 1 |



GEARS

K3000 VAC, 2011-01

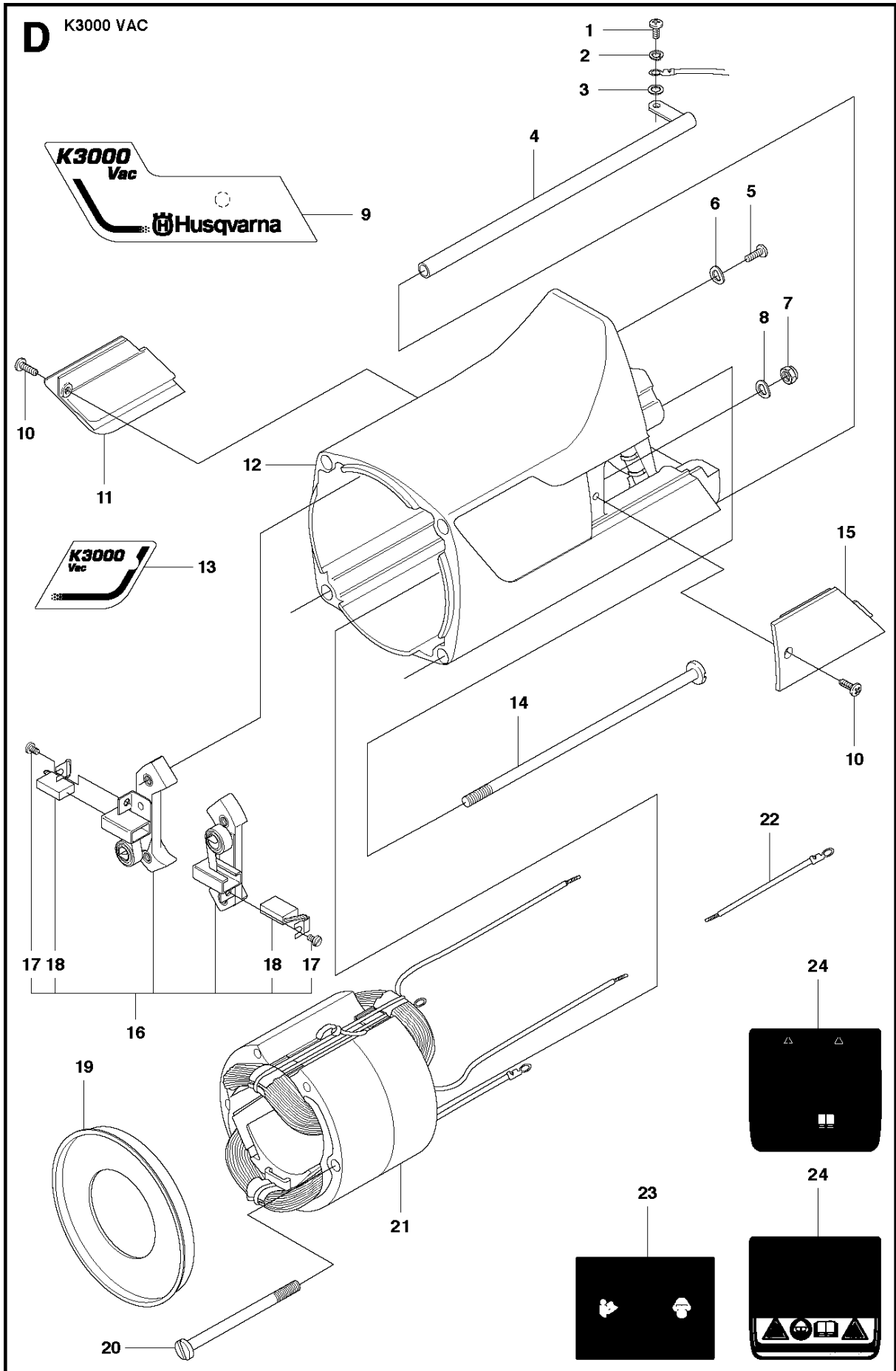
| Ref | Part No | Description | Remark | QTY KIT |
|-----|--------------|----------------------|---------------|---------|
| 1 | 506 13 96-01 | SCREW EHHFM | | 1 |
| 2 | 506 13 95-11 | WASHER | | 1 |
| 3 | 506 02 87-01 | FLANGE WASHER | | 2 |
| 4 | 506 37 96-20 | KIT | Diam 20mm | 1 |
| 4 | 506 37 96-22 | KIT | Diam 22,2mm | 1 |
| 4 | 506 37 96-25 | KIT | Diam 25,4mm | 1 |
| 4 | 506 02 88-30 | BUSHING | Diam 30,5mm | 1 |
| 5 | 506 32 06-01 | SEALING | | 1 |
| 6 | 505 57 41-16 | SCREW ITXSCM | | 3 |
| 7 | 506 26 65-01 | FLANGE | | 1 |
| 8 | 503 21 53-10 | SCREW ITXSCM | | 2 |
| 9 | 506 26 64-01 | SCREEN PATTERN FLANG | | 1 |
| 10 | 544 40 32-01 | GEAR SET | Incl. 11 - 16 | 1 |
| 11 | 506 28 84-01 | SCREEN PATTERN FLANG | | 1 |
| 12 | 544 40 33-01 | SHAFT | | 1 |
| 13 | 505 57 41-20 | SCREW ITXSCM | | 4 |
| 14 | 523 05 62-01 | GASKET | | 2 |
| 15 | 531 03 18-75 | GEAR WHEEL | Incl. 17 | 1 |
| 16 | 506 09 86-02 | PINION | | 1 |
| 17 | 738 22 00-15 | BALL BEARING | | 1 |



HANDLE

K3000 VAC, 2011-01

| Ref | Part No | Description | Remark | QTY KIT |
|-----|--------------|----------------------|-----------------------|---------|
| 1 | 505 44 33-04 | CABLE | 230V, incl. 2 | 1 |
| 1 | 510 18 13-05 | CABLE | 110V JP, USA, incl. 2 | 1 |
| 1 | 521 91 90-03 | CABLE | 110V UK, incl. 2 | 1 |
| 1 | 510 22 28-08 | CABLE | 110V AU | 1 |
| 1 | 521 90 74-04 | CABLE | 230V CH, incl. 2 | 1 |
| 2 | 544 90 05-01 | CABLE SLEEVE | | 1 |
| 3 | 531 03 19-02 | SCREW | | 3 |
| 4 | 505 53 03-11 | SCREW | | 1 |
| 5 | 531 03 18-85 | SPRING | | 1 |
| 6 | 544 90 06-01 | LOCKING BUTTON | | 1 |
| 7 | 724 13 27-55 | SCREW CRPANM | | 1 |
| 8 | 729 57 78-01 | SCREW CRPANT | | 2 |
| 9 | 531 03 18-87 | CLIP | | 1 |
| 10 | 531 03 18-83 | SWITCH | | 1 |
| 11 | 575 89 00-02 | PRINTED CIRCUIT ASSY | 110V | 1 |
| 11 | 575 89 01-02 | PRINTED CIRCUIT ASSY | 230V | 1 |
| 12 | 544 90 45-01 | HANDLE ASSY | | 1 |

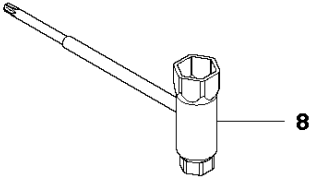
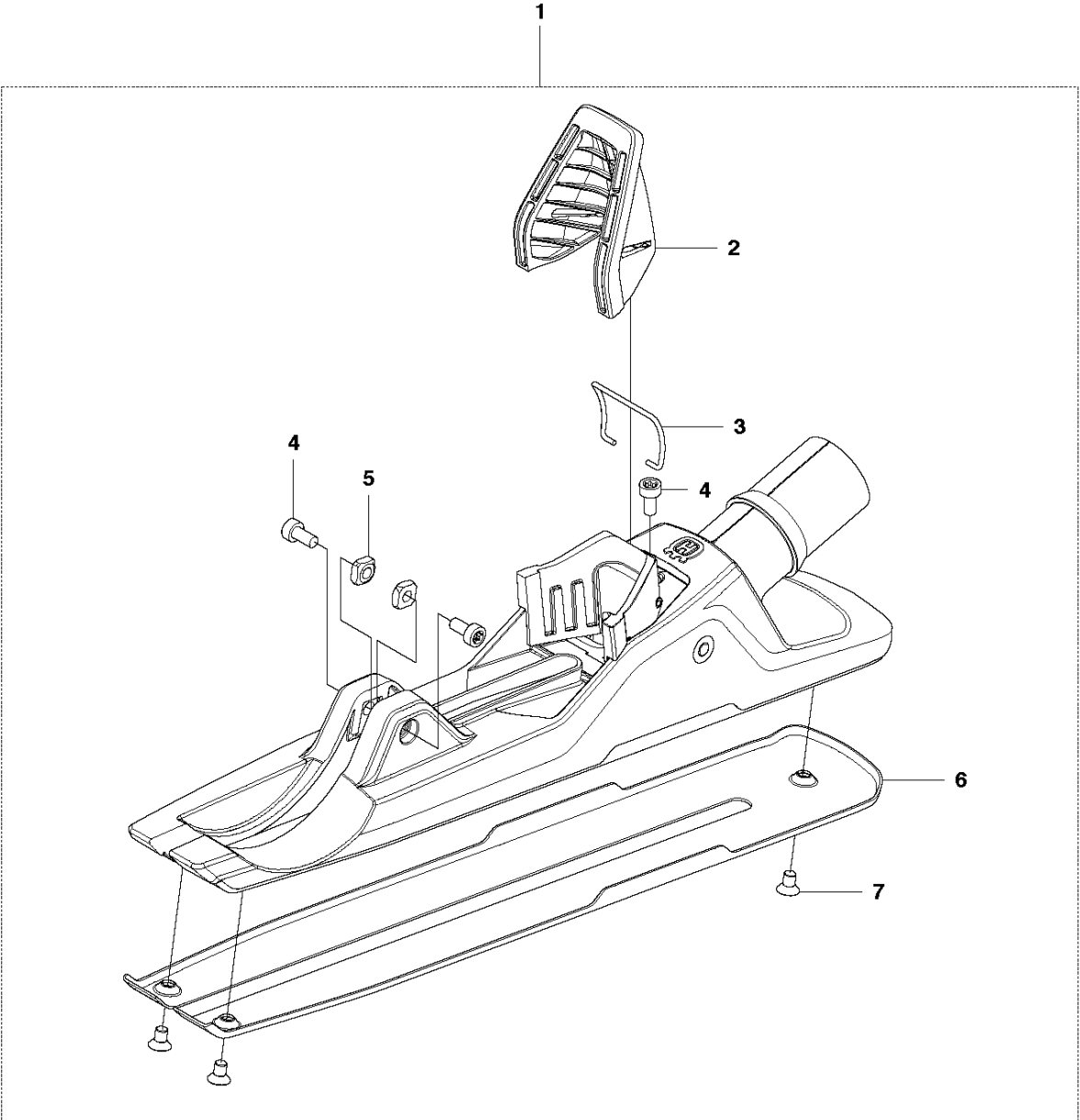


MOTOR HOUSING

K3000 VAC, 2011-01

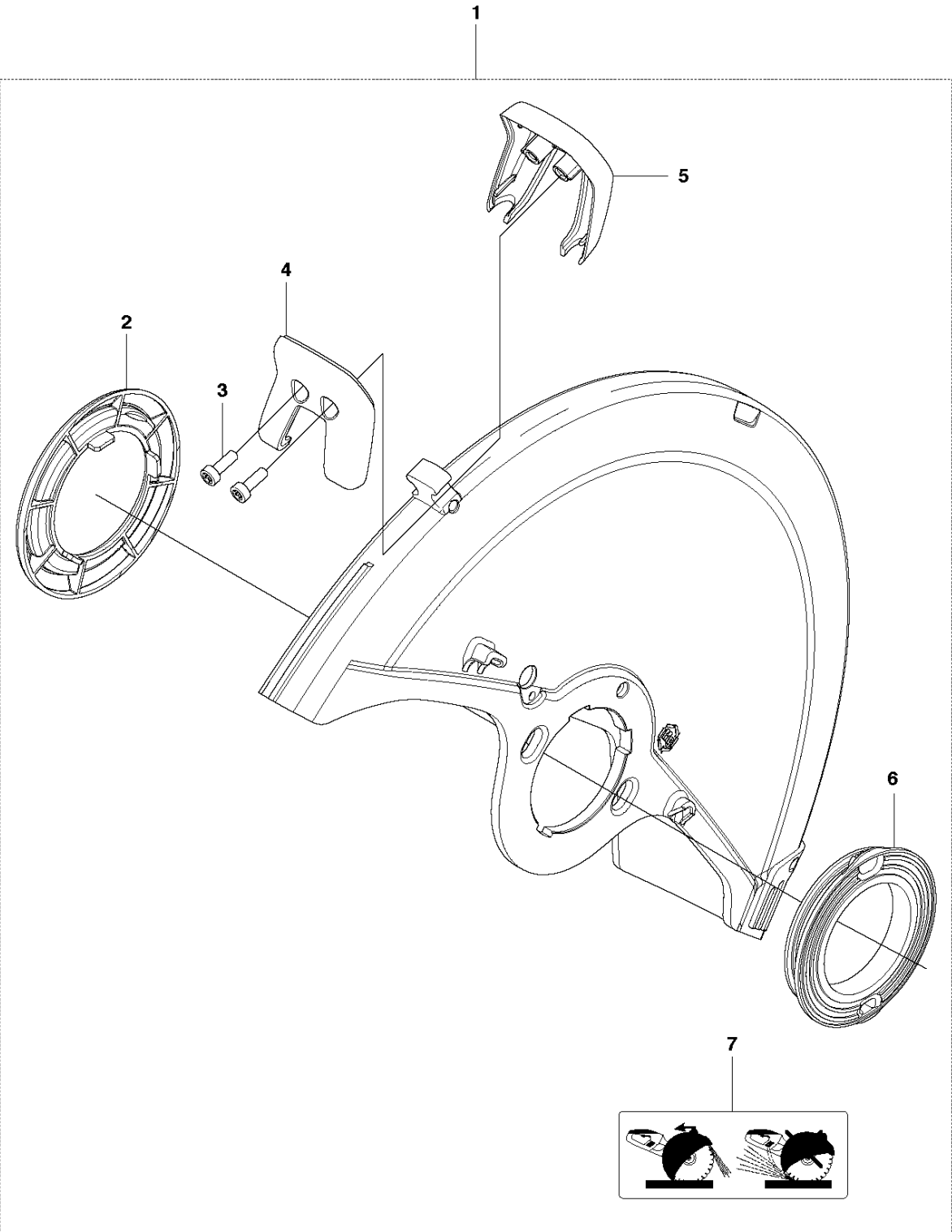
| Ref | Part No | Description | Remark | QTY KIT |
|-----|--------------|---------------------|---------------|---------|
| 1 | 724 12 87-01 | SCREW CRPANM | | 1 |
| 2 | 735 21 36-01 | LOCK WASHER | | 1 |
| 3 | 734 11 36-01 | WASHER | | 1 |
| 4 | 531 03 18-91 | PIPE | | 1 |
| 5 | 724 12 91-01 | SCREW CRPANM | | 4 |
| 6 | 735 11 36-50 | SPRING WASHER | | 4 |
| 7 | 732 21 14-01 | LOCK NUT | | 2 |
| 8 | 735 11 46-50 | SPRING WASHER | | 1 |
| 9 | 544 90 33-06 | LABEL | VAC | 1 |
| 10 | 729 57 76-01 | SCREW CRPANT | | 1 |
| 11 | 544 90 02-01 | LID | | 1 |
| 12 | 544 89 87-01 | MOTOR HOUSING | | 1 |
| 13 | 544 90 33-07 | LABEL | VAC | 1 |
| 14 | 505 53 03-11 | SCREW | | 1 |
| 15 | 544 89 94-01 | LID | | 1 |
| 16 | 531 03 18-92 | BRUSH HOLDER | Incl. 17 - 18 | 1 |
| 17 | 723 22 85-81 | SCREW SLPANM | | 2 |
| 18 | 506 22 58-02 | CARBON BRUSH | | 2 |
| 19 | 505 53 03-07 | AIR STREAM DIRECTOR | | 1 |
| 20 | 506 22 53-01 | SCREW | | 2 |
| 21 | 506 22 51-10 | STATOR ASSY | 100 - 120V | 1 |
| 21 | 506 22 51-20 | STATOR ASSY | 230V | 1 |
| 22 | 575 29 86-01 | JOINTING CABLE | 100 - 120V | 1 |
| 23 | 544 98 40-01 | LABEL WARNING | | 1 |
| 24 | 506 38 44-15 | LABEL | JP | 1 |
| 24 | 506 38 43-14 | LABEL | USA, UK | 1 |

G K3000 VAC



| Ref | Part No | Description | Remark | QTY KIT |
|-----|--------------|------------------|-------------|---------|
| 1 | 523 09 50-01 | ASSEMBLY | Incl. 2 - 7 | 1 |
| 2 | 576 63 10-01 | LOCKING HANDLE | | 1 |
| 3 | 576 63 15-01 | SPRING | | 1 |
| 4 | 503 21 53-11 | SCREW ITXSCM | | 3 |
| 5 | 503 22 65-04 | SQUARE NUT | | 2 |
| 6 | 576 63 07-01 | SKID PLATE | | 1 |
| 7 | 725 63 25-01 | SCREW IHCSFM | | 3 |
| 8 | 506 38 26-01 | COMBINATION TOOL | | 1 |

F K3000 VAC



WHEELS & TIRES

K3000 VAC, 2011-01

| Ref | Part No | Description | Remark | QTY KIT |
|-----|--------------|------------------|-------------|---------|
| 1 | 577 71 69-01 | WHEEL GUARD ASSY | Incl. 2 - 7 | 1 |
| 2 | 576 78 61-01 | ADAPTER | | 1 |
| 3 | 504 90 94-10 | SCREW ITXSCT | | 2 |
| 4 | 576 79 77-01 | HANDLE HALF | | 1 |
| 5 | 576 79 76-01 | HANDLE HALF | | 1 |
| 6 | 506 26 63-02 | LINING | | 1 |
| 7 | 576 87 79-01 | DECAL | | 1 |