

01 Jun 2009

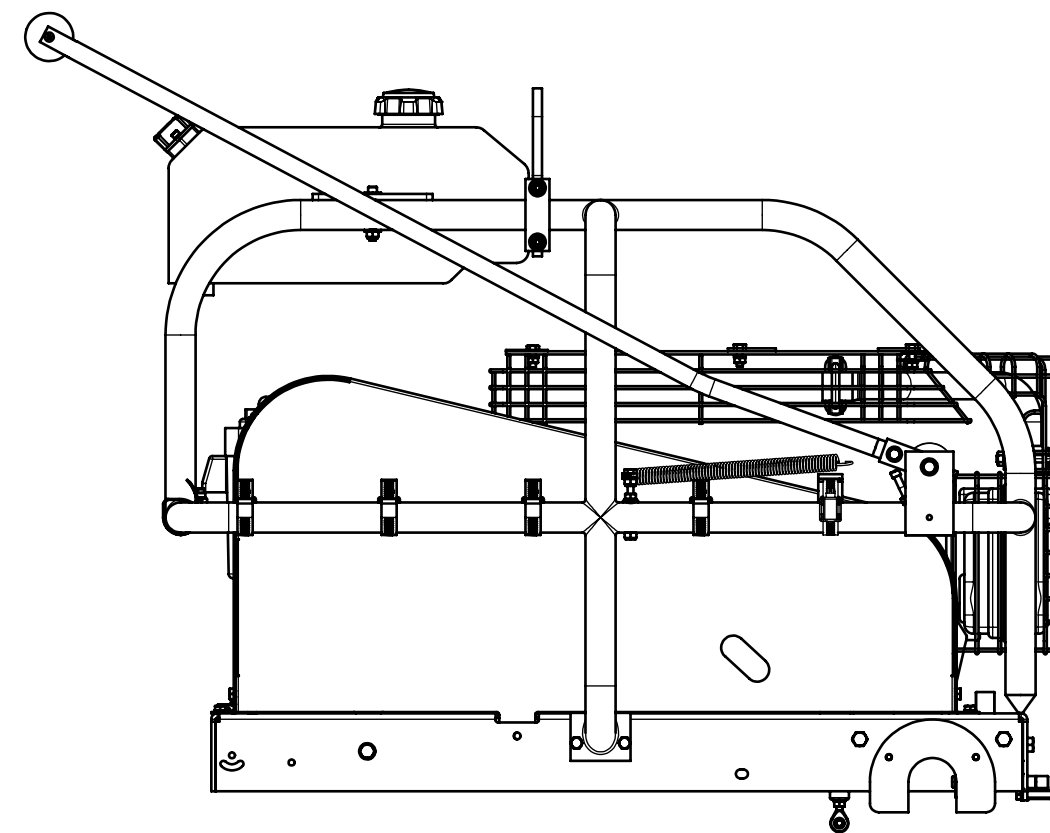
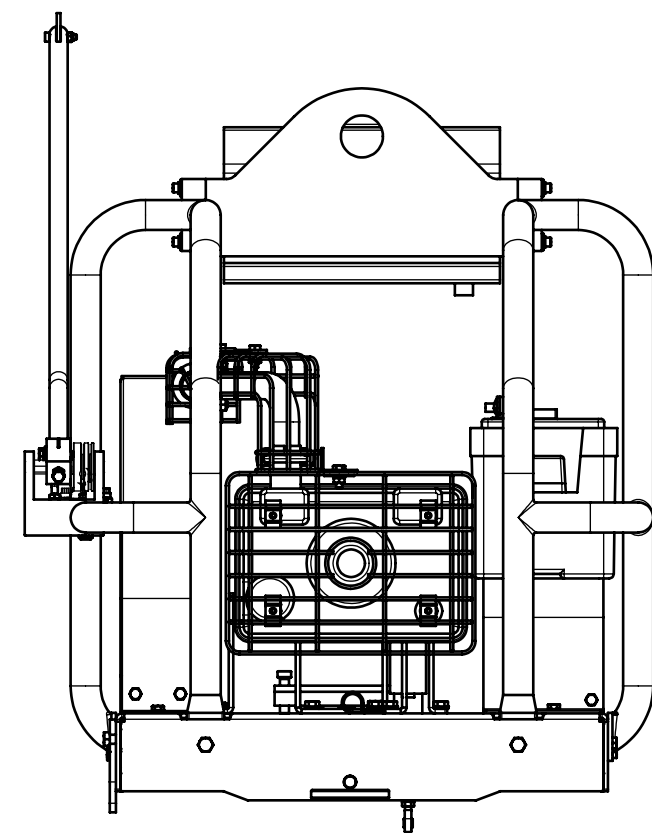
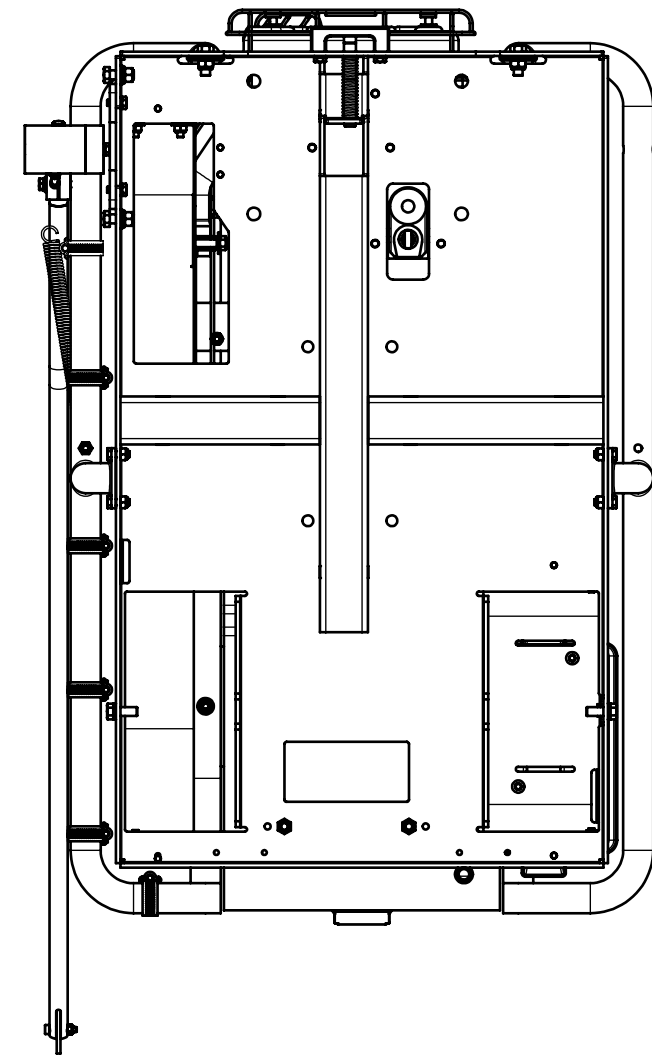
# Husqvarna X4000

Illustrated Parts List

574 64 94-04



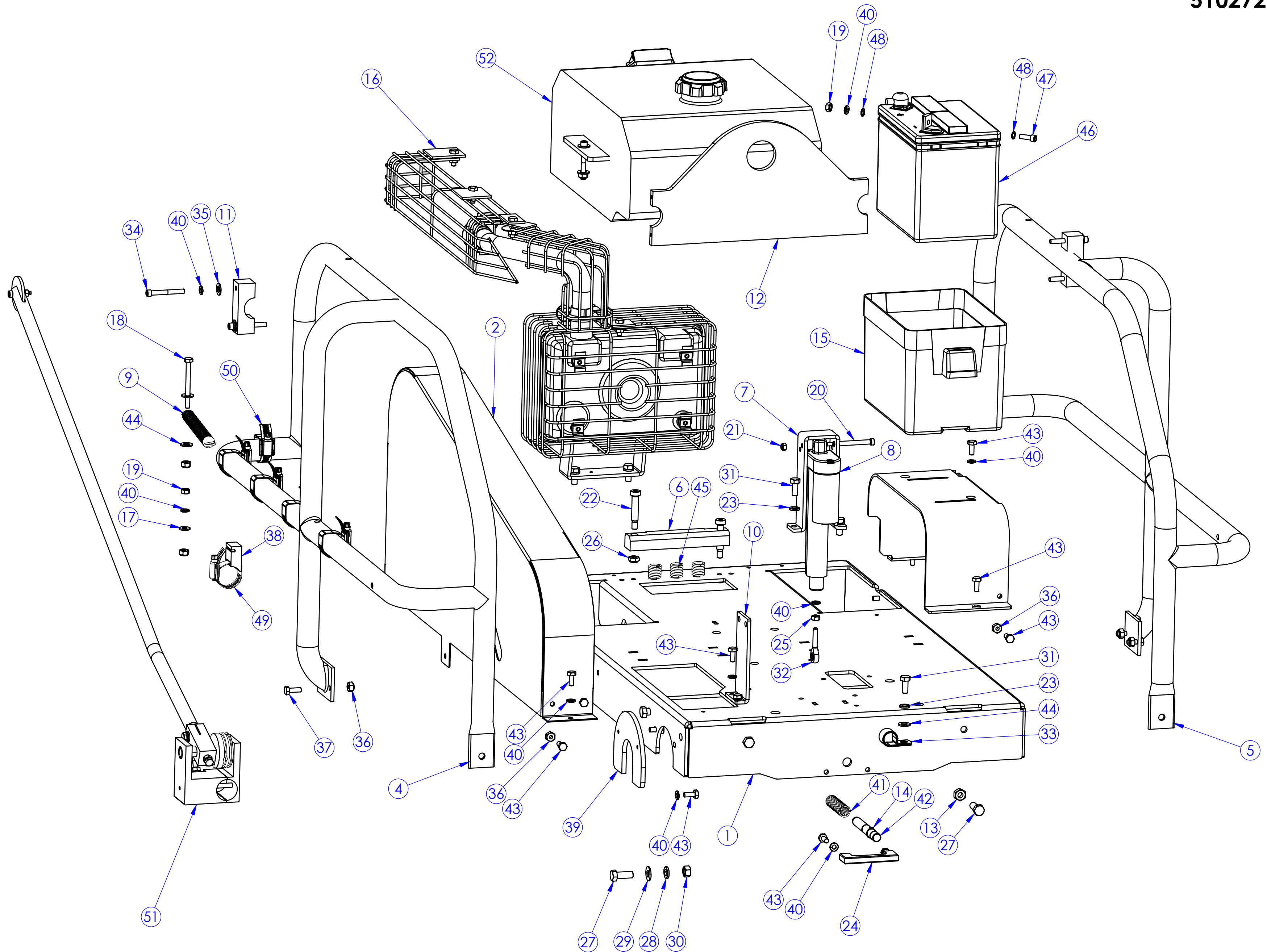
**510272503**



ITEM NO.	PART NUMBER	DESCRIPTION	QTY.
1	505830301	MAINFRAME ASSEMBLY, X4000	1
2	505830701	COVER, BELT GUARD	1
3	505817801	WHEEL COVER	1
4	505830401	ROLLCAGE, RIGHT	1
5	505830501	ROLLCAGE, LEFT	1
6	505831901	BLOCK, SPRING	1
7	505831101	BRACKET, ACTUATOR MOUNT	1
8	505836601	ACTUATOR, BLADE, X4000	1
9	505737301	SPRING, EXTENSION	1
10	505830201	BRACKET, IDLER SPRING MOUNT	1
11	505829801	BLOCK, FUEL TANK MOUNT	2
12	574286301	LIFTING PLATE, X4000	1
13	505723401	NUT, NYLOC, 3/8-16	2
14	505647801	SNAP RING, EXT .500"	1
15	505836001	BATTERY COVER	1
16	574720501	EXHAUST SYSTEM ASSEMBLY	1
17	505632001	WASHER, 1/4" FLAT S.S.	1
18	505728001	HHB 1/4-20 X 2.75 S.S. ALL THRD	1
19	505631901	NUT, 1/4-20 HEX, S.S.	2
20	505833401	SHSB, 1/4 X 2 1/4	1
21	505630401	NUT, NYLOC, #10-24 CAD	1
22	505833501	SHSB, 3/8 x 1 1/2	2
23	505633001	WASHER, SPLIT 5/16" S.S.	3
24	505714201	GUARD, ARBOR LOCK	1
25	505732901	NUT, 1/4-28 HEX, GR5 ZINC	1
26	505631701	NUT, NYLOC, 5/16-18 .265 HT.	2
27	505833101	HHB 3/8-16 X 1 S.S.	6
28	505731001	WASHER, SPLIT 3/8" S.S.	4
29	505724601	WASHER, 3/8" FLAT	2
30	505838601	NUT, 3/8-16 HEX, S.S.	2
31	505821001	HHB 5/16-18 X .75	3
32	505743401	ROD END	1
33	505775801	HOSE CLAMP, OIL DRAIN	1
34	505728901	SHCS 1/4-20 X 2 S.S.	4
35	505725501	WASHER, 1/4" FLAT SAE ZINC	4
36	505630501	NUT, NYLOC, 1/4-20 CAD	12
37	505627501	HHB 1/4-20 X .75 S.S.	4
38	505819201	BLOCK, CABLE MOUNT	1
39	505815701	COVER, BELT ACCESS	1
40	505632801	WASHER, SPLIT 1/4" S.S.	20
41	505834201	SPRING, ARBOR LOCK	1
42	505816901	SHAFT, ARBOR LOCK	1
43	505627401	HHB 1/4-20 X .625 S.S.	19
44	505632101	WASHER, 5/16" FLAT SAE CAD	3
45	505824001	SPRING, PUMP	3
46	505786201	BATTERY, SEALED AGM	1
47	505627801	SHCS 1/4-20 X 3/4 S.S.	1
48	505731801	LOCKWASHER, 1/4 EXT TOOTH	2
49	505822501	HOSE CLAMP, .625"W X 1.50"	1
50	505834301	HOSE CLAMP, .313"W x 1.50"	5
51	510272603	GUIDE ARM ASSEMBLY	1
52	510271503	FUEL TANK ASSEMBLY	1

**SUB-ASSEMBLY BILL OF MATERIAL**

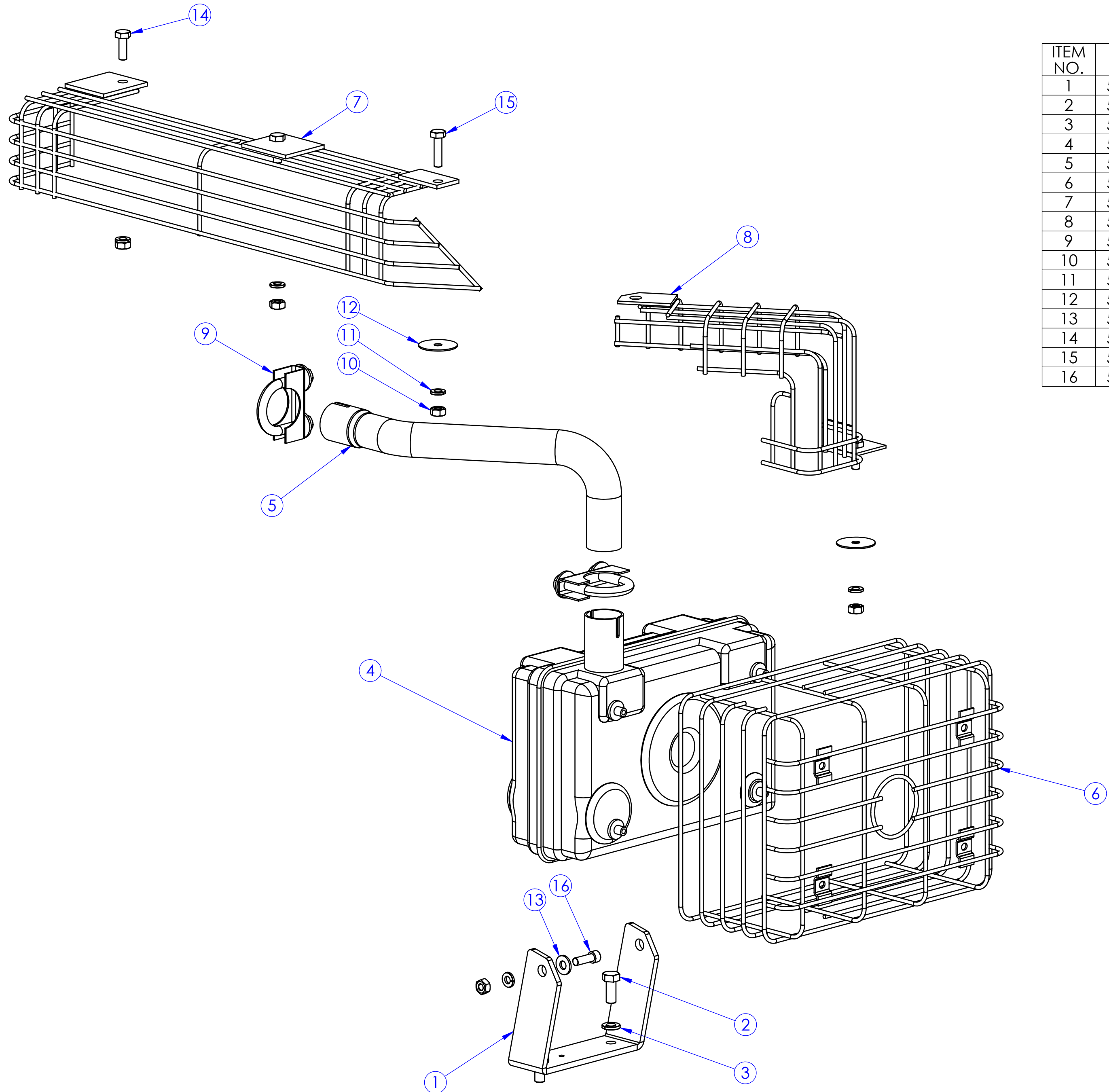
SOFF-CUT INT'L, INC. CLAIMS PROPRIETARY RIGHTS TO THE MATERIAL DISCLOSED IN THIS DOCUMENT. THIS DOCUMENT IS PROVIDED IN CONFIDENCE AND MAY NOT BE REPRODUCED OR DISCLOSED WITHOUT WRITTEN PERMISSION FROM SOFF-CUT INT'L. © COPYRIGHT 2007, SOFF-CUT INT'L, INC. ALL RIGHTS RESERVED.



**SUB-ASSEMBLY BILL OF MATERIAL**

SOFF-CUT INT'L, INC. CLAIMS PROPRIETARY RIGHTS TO THE MATERIAL DISCLOSED IN THIS DOCUMENT. THIS DOCUMENT IS PROVIDED IN CONFIDENCE AND MAY NOT BE REPRODUCED OR DISCLOSED WITHOUT WRITTEN PERMISSION FROM SOFF-CUT INT'L. © COPYRIGHT 2007, SOFF-CUT INT'L, INC. ALL RIGHTS RESERVED.

**574720501**

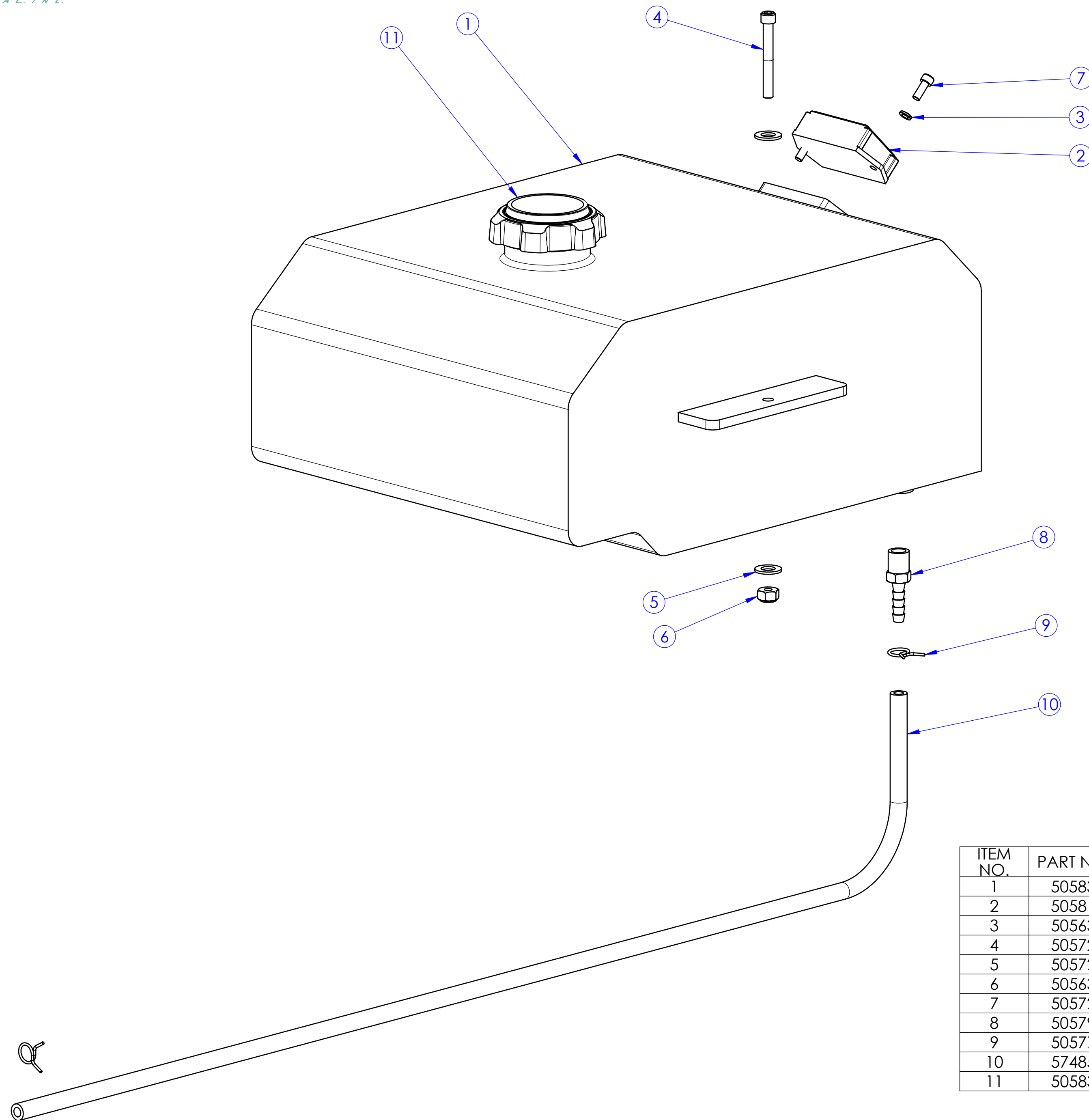


ITEM NO.	PART NUMBER	DESCRIPTION	QTY.
1	505818601	BRACKET, PUMP SUPPORT	1
2	505821001	HHB 5/16-18 X .75	2
3	505633001	WASHER, SPLIT 5/16" S.S.	2
4	505835801	MUFFLER, KOHLER 18/20HP	1
5	505834201	EXHAUST ELBOW TUBING	1
6	505835401	MUFFLER GUARD, KOHLER 20HP	1
7	505832101	GUARD, EXHAUST MANIFOLD	1
8	505832201	GUARD, ELBOW, EXHAUST MANIFOLD	1
9	505743201	MUFFLER CLAMP 1 1/8"	2
10	505631901	NUT, 1/4-20 HEX, S.S.	6
11	505632801	WASHER, SPLIT 1/4" S.S.	6
12	505724901	FENDER WASHER, 1/4" FLAT	2
13	505632001	WASHER, 1/4" FLAT S.S.	2
14	505627501	HHB 1/4-20 X .75 S.S.	3
15	505727301	HHB 1/4-20 X 1 S.S.	1
16	505627801	SHCS 1/4-20 X 3/4 S.S.	2

**SUB-ASSEMBLY BILL OF MATERIAL**

SOFF-CUT INT'L, INC. CLAIMS PROPRIETARY RIGHTS TO THE MATERIAL DISCLOSED IN THIS DOCUMENT. THIS DOCUMENT IS PROVIDED IN CONFIDENCE AND MAY NOT BE REPRODUCED OR DISCLOSED WITHOUT WRITTEN PERMISSION FROM SOFF-CUT INT'L. © COPYRIGHT 2007, SOFF-CUT INT'L, INC. ALL RIGHTS RESERVED.

**510271503**

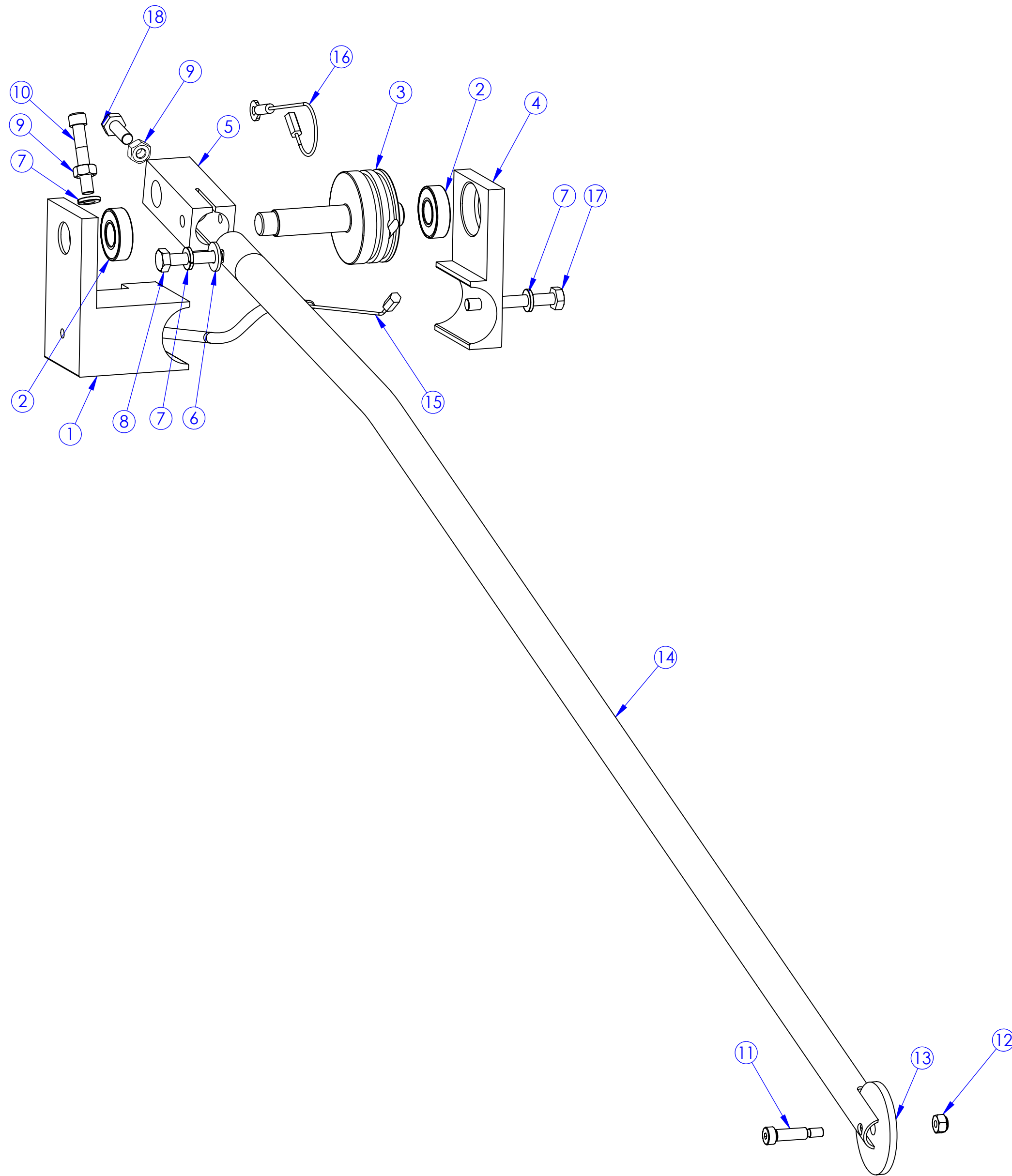


ITEM NO.	PART NUMBER	DESCRIPTION	QTY.
1	505834701	FUEL TANK, X4000	1
2	505814301	TACHOMETER/HOUR METER	1
3	505633101	WASHER, SPLIT #10 S.S.	2
4	505728901	SHCS 1/4-20 X 2 S.S.	2
5	505725501	WASHER, 1/4" FLAT SAE ZINC	4
6	505630501	NUT, NYLOC, 1/4-20 CAD	2
7	505729601	SHCS 10-32 X 1/2 S.S.	2
8	505796701	BARB FITTING	1
9	505776301	SPRING HOSE CLAMP, 7/16"	2
10	574859136	HOSE, FUEL 1/4" LOW PERM	1
11	505835001	CAP, FUEL	1

**SUB-ASSEMBLY BILL OF MATERIAL**

SOFF-CUT INT'L, INC. CLAIMS PROPRIETARY RIGHTS TO THE MATERIAL DISCLOSED IN THIS DOCUMENT. THIS DOCUMENT IS PROVIDED IN CONFIDENCE AND MAY NOT BE REPRODUCED OR DISCLOSED WITHOUT WRITTEN PERMISSION FROM SOFF-CUT INT'L. © COPYRIGHT 2007, SOFF-CUT INT'L, INC. ALL RIGHTS RESERVED.

**510272603**

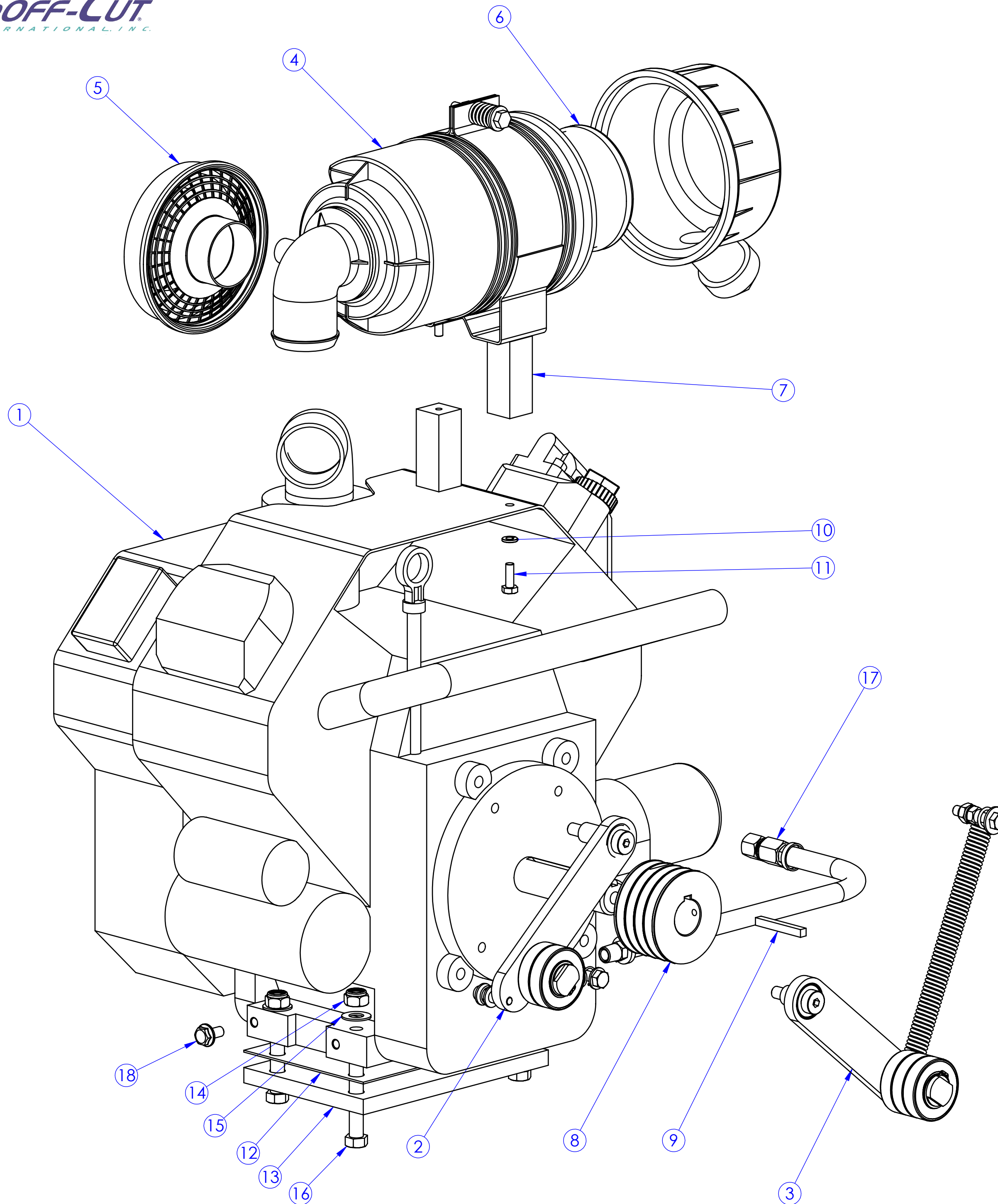


ITEM NO.	PART NUMBER	DESCRIPTION	QTY.
1	505816401	GUIDE ARM PULLEY MOUNT	1
2	505654801	BEARING, .500 ID, R8-2RS	2
3	505816101	PULLEY, GUIDE ARM	1
4	505816301	LIGHT MOUNT BLOCK	1
5	505816201	GUIDE ARM MOUNTING BLOCK	1
6	505632001	WASHER, 1/4" FLAT S.S.	1
7	505632801	WASHER, SPLIT 1/4" S.S.	3
8	505728301	HHB 1/4-20 X 1.25 S.S. ALL THRD	1
9	505631901	NUT, 1/4-20 HEX, S.S.	2
10	505728801	SHCS 1/4-20 X 1 1/2 S.S.	1
11	505725801	SHSB, 1/4 X 3/4	1
12	505630401	NUT, NYLOC, #10-24 CAD	1
13	505614201	WHEEL, GUIDE	1
14	505828901	TUBE, GUIDE ARM	1
15	505823101	CABLE, GUIDE ARM	1
16	505823301	CABLE, GUIDE ARM RETURN	1
17	505728101	HHB 1/4-20 X 2 S.S. ALL THRD	1
18	505627501	HHB 1/4-20 X .75 S.S.	1

**SUB-ASSEMBLY BILL OF MATERIAL**

SOFF-CUT INT'L, INC. CLAIMS PROPRIETARY RIGHTS TO THE MATERIAL DISCLOSED IN THIS DOCUMENT. THIS DOCUMENT IS PROVIDED IN CONFIDENCE AND MAY NOT BE REPRODUCED OR DISCLOSED WITHOUT WRITTEN PERMISSION FROM SOFF-CUT INT'L. COPYRIGHT SOFF-CUT INT'L, INC. ALL RIGHTS RESERVED.

**510271603**

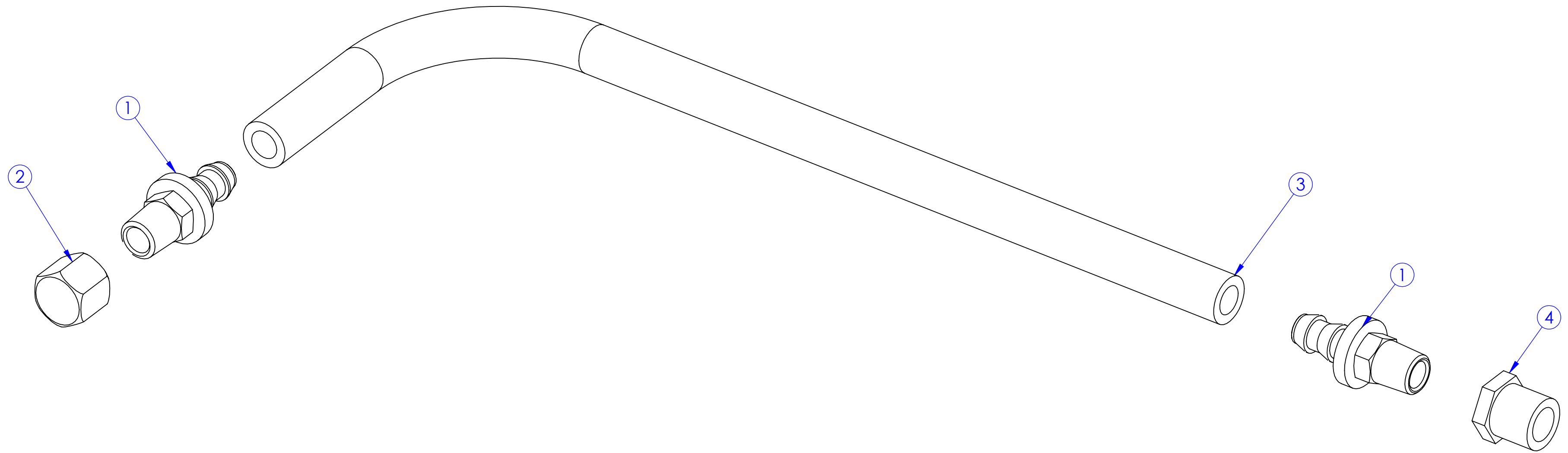


ITEM NO.	PART NUMBER	DESCRIPTION	QTY.
1	505835101	ENGINE, KOHLER, 20HP	1
2	510271807	PUMP IDLER PULLEY	1
3	510271703	BLADE IDLER PULLEY	1
4	505836101	KOHLER AIR CLEANER	1
5	505836301	HOOD, AIR CLEANER, KOHLER	1
6	505482306	AIR FILTER, KOHLER, 2-PACK	1
7	505793301	BLOCK, AIR CLEANER MOUNT	2
8	505777201	SHEAVE, 4/3V 3.00 OD X 1.125 ID	1
9	521895201	KEY, 1/4 X 1/4 X 2.00	1
10	505632801	WASHER, SPLIT 1/4" S.S.	4
11	505627501	HHB 1/4-20 X .75 S.S.	4
12	505793201	PLATE, MOTOR PAD	1
13	505793101	MOTOR PAD	1
14	505795401	NUT, NYLOC, 7/6-14 S.S.	4
15	510302101	WASHER, 7/16" FLAT SAE	4
16	505601501	HHB 7/16-14 X 2 1/2 S.S.	4
17	505857506	KIT, OIL DRAIN	1
18	505795601	HHB, FLANGE M8 X 1.25 X 16	1

**SUB-ASSEMBLY BILL OF MATERIAL**

SOFF-CUT INT'L, INC. CLAIMS PROPRIETARY RIGHTS TO THE MATERIAL DISCLOSED IN THIS DOCUMENT. THIS DOCUMENT IS PROVIDED IN CONFIDENCE AND MAY NOT BE REPRODUCED OR DISCLOSED WITHOUT WRITTEN PERMISSION FROM SOFF-CUT INT'L. © COPYRIGHT 2007, SOFF-CUT INT'L, INC. ALL RIGHTS RESERVED.

**505857506**



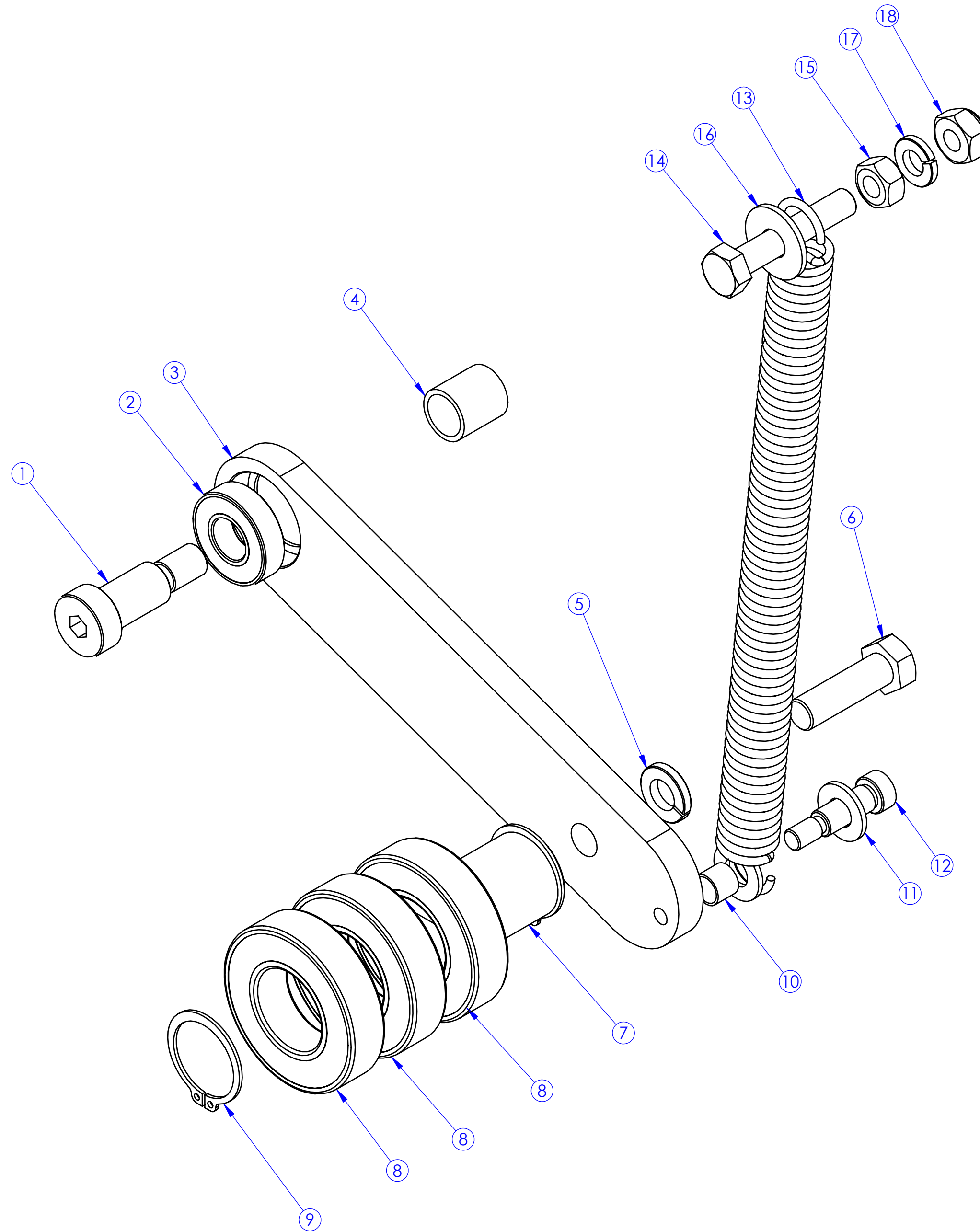
ITEM NO.	PART NUMBER	DESCRIPTION	QTY.
1	505738601	FITTING, OIL DRAIN BARB	2
2	505776601	CAP, OIL DRAIN	1
3	505738501	HOSE, OIL DRAIN	1
4	505796401	HEX BUSHING, 3/8"NPT TO 1/4"NPT	1

**SUB-ASSEMBLY BILL OF MATERIAL**

SOFF-CUT INT'L, INC. CLAIMS PROPRIETARY RIGHTS TO THE MATERIAL DISCLOSED IN THIS DOCUMENT. THIS DOCUMENT IS PROVIDED IN CONFIDENCE AND MAY NOT BE REPRODUCED OR DISCLOSED WITHOUT WRITTEN PERMISSION FROM SOFF-CUT INT'L. © COPYRIGHT 2007, SOFF-CUT INT'L, INC. ALL RIGHTS RESERVED.



**510271703**

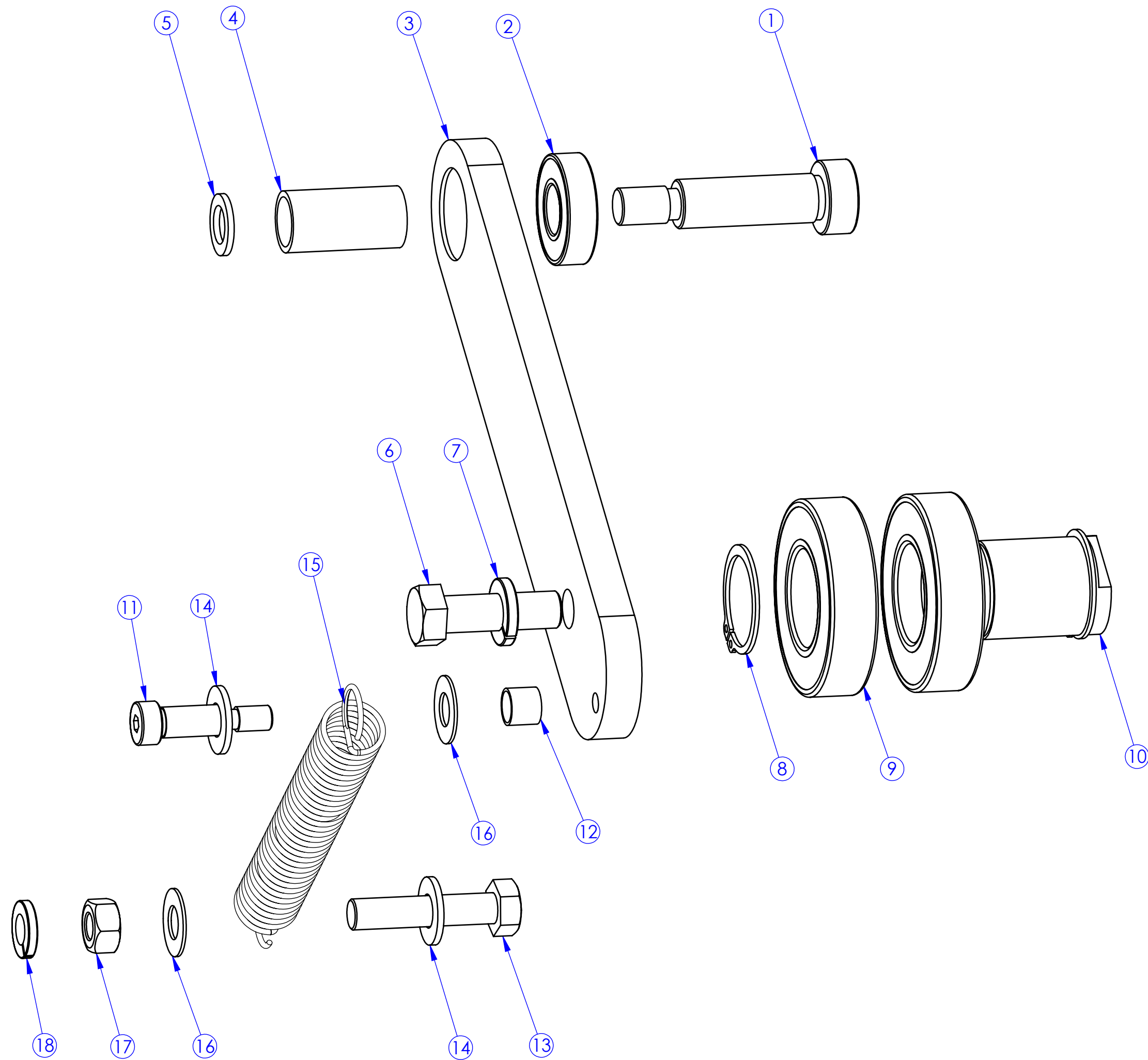


ITEM NO.	PART NUMBER	DESCRIPTION	QTY.
1	523059605	SHSB, 1/2 x 7/8	1
2	505654801	BEARING, .500 ID, R8-2RS	1
3	505815902	ARM, BELT TENSION	1
4	523059401	SPACER, .500 ID X .670"	1
5	505731001	WASHER, SPLIT 3/8" S.S.	1
6	505727601	HHB 3/8-16 X 1 1/4	1
7	505706801	SHAFT, BLADE BELT TENSIONER	1
8	505736301	BEARING, 1.00 ID, R16-2RS	3
9	505733401	SNAP RING, EXT 1.000"	2
10	505717901	SPACER, .313"ID X .315"L G.A.	1
11	505632101	WASHER, 5/16" FLAT SAE CAD	2
12	505726401	SHSB, 5/16 X 3/4	1
13	505737301	SPRING, EXTENSION	1
14	505728501	HHB 5/16-18 X 1.75 GR8	1
15	505723501	NUT, 5/16-18 HEX, GR5 ZINC	1
16	505686101	WASHER, 5/16" FLAT USS	1
17	505633001	WASHER, SPLIT 5/16" S.S.	1
18	505630601	NUT, NYLOC, 5/16-18 CAD	1

**SUB-ASSEMBLY BILL OF MATERIAL**

SOFF-CUT INT'L, INC. CLAIMS PROPRIETARY RIGHTS TO THE MATERIAL DISCLOSED IN THIS DOCUMENT. THIS DOCUMENT IS PROVIDED IN CONFIDENCE AND MAY NOT BE REPRODUCED OR DISCLOSED WITHOUT WRITTEN PERMISSION FROM SOFF-CUT INT'L. © COPYRIGHT 2007, SOFF-CUT INT'L, INC. ALL RIGHTS RESERVED.

**510271803**

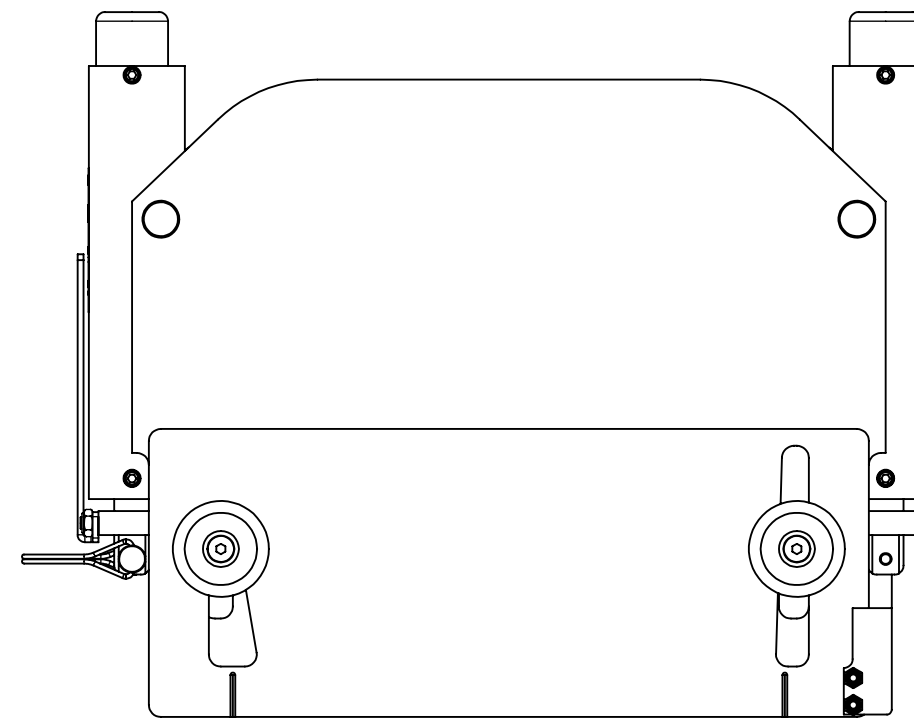
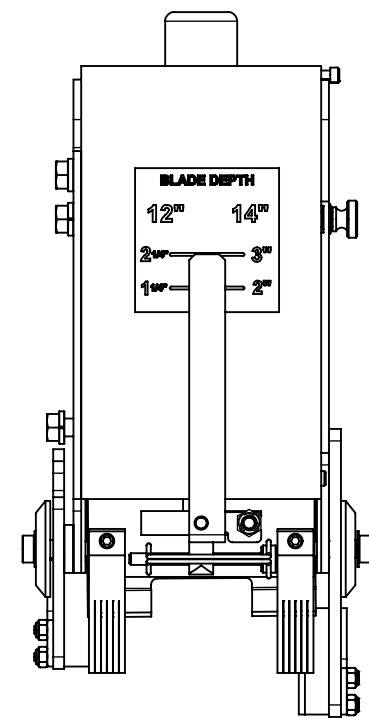
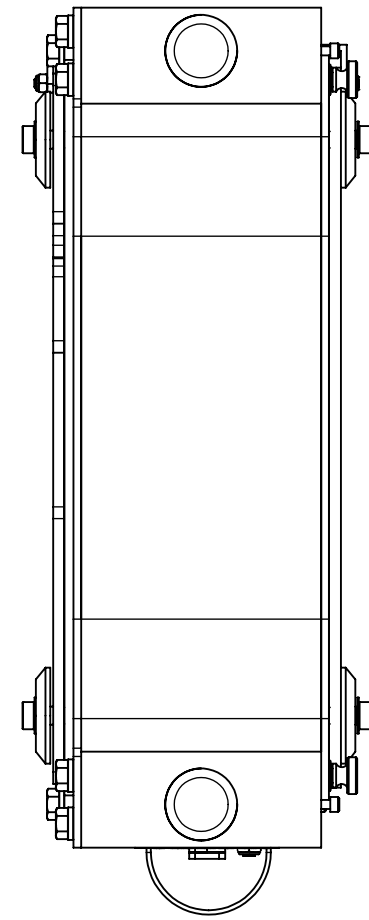


ITEM NO.	PART NUMBER	DESCRIPTION	QTY.
1	523059608	SHSB, 1/2 x 1 1/2	1
2	505654801	BEARING, .500 ID, R8-2RS	1
3	505815902	ARM, BELT TENSION	1
4	523059402	SPACER, .500 ID X .1.200"	1
5	505724001	WASHER, 3/8" X .06" THK FLAT S.S.	1
6	505727601	HHB 3/8-16 X 1 1/4	1
7	505731001	WASHER, SPLIT 3/8" S.S.	1
8	505733401	SNAP RING, EXT 1.000"	2
9	505736301	BEARING, 1.00 ID, R16-2RS	2
10	505706803	SHAFT, PUMP BELT TENSIONER	1
11	505726401	SHSB, 5/16 X 3/4	1
12	505717901	SPACER, .313" ID X .315" L G.A.	1
13	505727801	HHB 5/16-24 X 1.5	1
14	505632101	WASHER, 5/16" FLAT SAE CAD	2
15	505774601	SPRING, EXTENSION	1
16	505725201	WASHER, 5/16" FLAT S.S.	2
17	505732801	NUT, 5/16-24 HEX, GR5 ZINC	1
18	505633001	WASHER, SPLIT 5/16" S.S.	1

**SUB-ASSEMBLY BILL OF MATERIAL**

SOFF-CUT INT'L, INC. CLAIMS PROPRIETARY RIGHTS TO THE MATERIAL DISCLOSED IN THIS DOCUMENT. THIS DOCUMENT IS PROVIDED IN CONFIDENCE AND MAY NOT BE REPRODUCED OR DISCLOSED WITHOUT WRITTEN PERMISSION FROM SOFF-CUT INT'L. © COPYRIGHT 2007, SOFF-CUT INT'L, INC. ALL RIGHTS RESERVED.

**510272103**

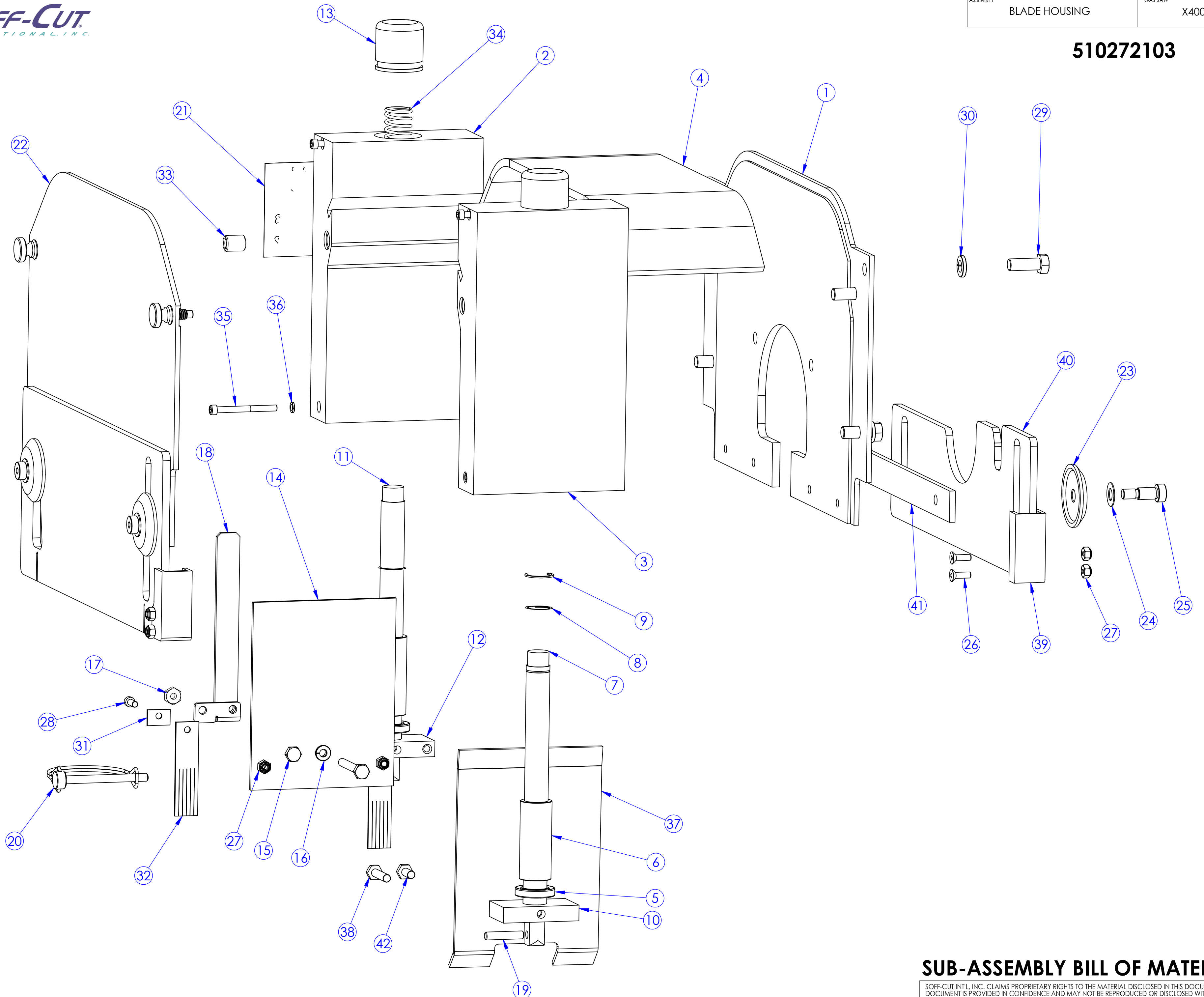


ITEM NO.	PART NUMBER	DESCRIPTION	QTY.
1	505827901	COVER, REAR BLADE BLOCK	1
2	505827701	BLADE BLOCK, REAR	1
3	505827801	BLADE BLOCK, FRONT	1
4	505828501	COVER, TOP BLADE BLOCK	1
5	505738001	DUST SEAL, 3/4" SHAFT	2
6	505667801	3/4 ID X 1 OD X 2 1/2 BUSHING	2
7	505828301	SHAFT, FRONT BLADE BLOCK	1
8	505748401	SNAP RING, SPIRAL .750"	2
9	505733601	C-CLIP, .812"	1
10	505839801	BLOCK, SHAFT COLLAR, BB	1
11	505828401	SHAFT, REAR BLADE BLOCK	1
12	505664901	BLOCK, SHAFT COLLAR, BB	1
13	505831401	CAP, BLADE BLOCK	2
14	505828801	PLATE, REAR DIVERTER	1
15	505728101	HHB 1/4-20 X 2 S.S. ALL THRD	2
16	505632801	WASHER, SPLIT 1/4" S.S.	3
17	505630701	NUT, NYLOC, 1/4-20 .218 HT.	1
18	505831701	DEPTH GAUGE ARM	1
19	505774001	DOWEL PIN .250 X 1.25 STEEL	1
20	505775401	SNAPPER PIN, 1/4" X 2 1/2"	1
21	510343801	LABEL, DEPTH GAUGE X4000	1
22	574234903	BLADE BLOCK COVER	1
23	505761701	WASHER, LEXAN	2
24	505634201	WASHER, 3/8"X .03"THK FLAT S.S.	2
25	505627101	SHSB, 3/8 x 5/8	2
26	505730201	FHS, 10-24 x 5/8 S.S.	2
27	505630401	NUT, NYLOC, #10-24 CAD	4
28	505772401	SHCS 10-24 X 1/2 S.S.	2
29	505833101	HHB 3/8-16 X 1 S.S.	6
30	505731001	WASHER, SPLIT 3/8" S.S.	6
31	505769101	MTG. BAR FOR RUBBER FLAPS SML	2
32	505769201	SMALL DUST FLAP	2
33	505748301	INSERT, 1/2-13 X 5/16-18	2
34	505790701	SPRING, BLADE BLOCK	2
35	505833701	SHSC 10-32 X 2 S.S.	4
36	505633101	WASHER, SPLIT #10 S.S.	2
37	505828601	PLATE, FRONT DIVERTER	1
38	505728301	HHB 1/4-20 X 1.25 S.S. ALL THRD	1
39	505819301	CHANNEL, INNER DIVERTER	1
40	505828101	COVER, INNER LEXAN, X4000	1
41	505832001	SPACER, INNER LEXAN	1
42	505627401	HHB 1/4-20 X .625 S.S.	1

**SUB-ASSEMBLY BILL OF MATERIAL**

SOFF-CUT INT'L, INC. CLAIMS PROPRIETARY RIGHTS TO THE MATERIAL DISCLOSED IN THIS DOCUMENT. THIS DOCUMENT IS PROVIDED IN CONFIDENCE AND MAY NOT BE REPRODUCED OR DISCLOSED WITHOUT WRITTEN PERMISSION FROM SOFF-CUT INT'L. © COPYRIGHT 2007, SOFF-CUT INT'L, INC. ALL RIGHTS RESERVED.

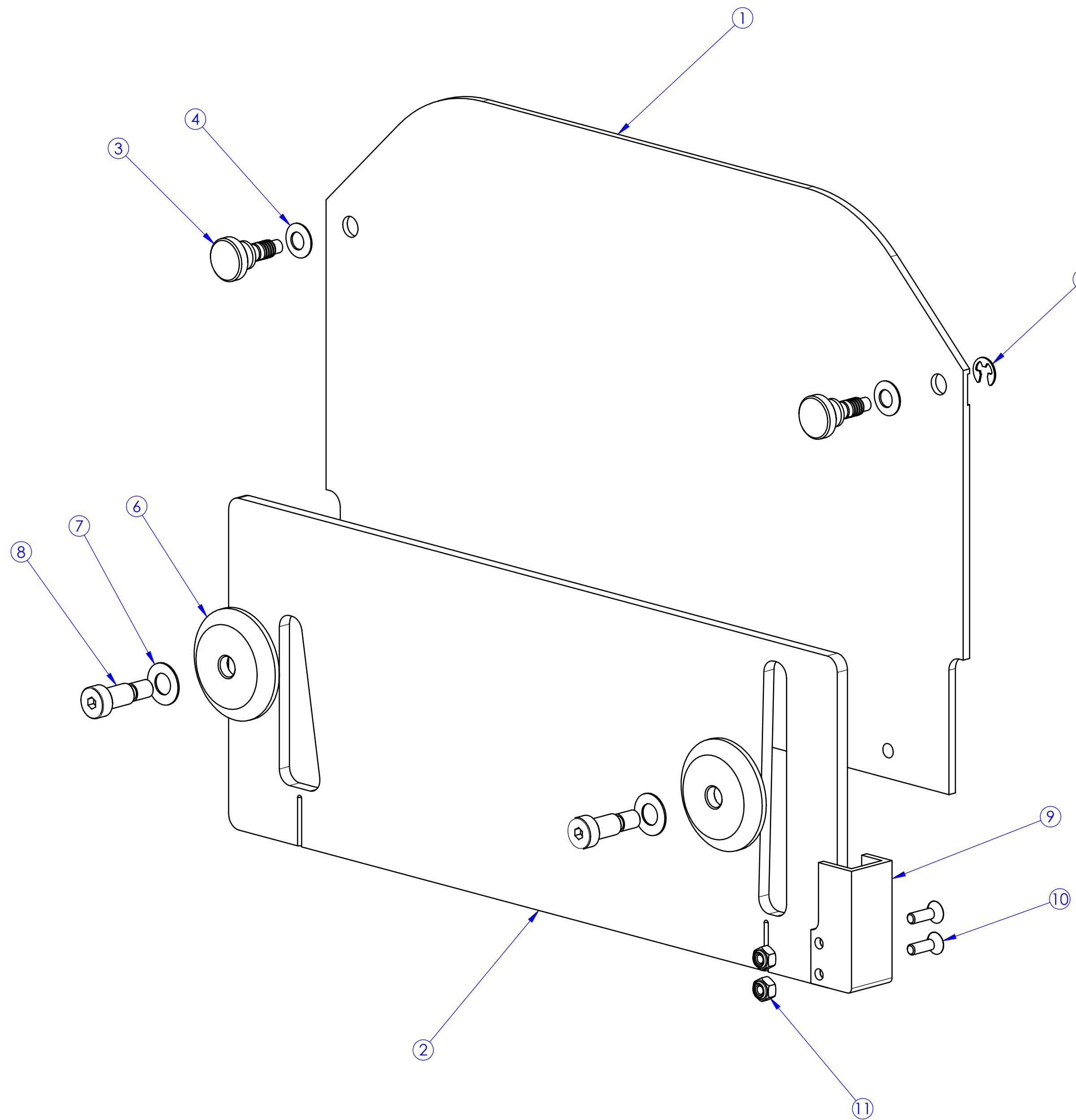
**510272103**



**SUB-ASSEMBLY BILL OF MATERIAL**

SOFF-CUT INT'L, INC. CLAIMS PROPRIETARY RIGHTS TO THE MATERIAL DISCLOSED IN THIS DOCUMENT. THIS DOCUMENT IS PROVIDED IN CONFIDENCE AND MAY NOT BE REPRODUCED OR DISCLOSED WITHOUT WRITTEN PERMISSION FROM SOFF-CUT INT'L. © COPYRIGHT 2007, SOFF-CUT INT'L, INC. ALL RIGHTS RESERVED.

**574234903**

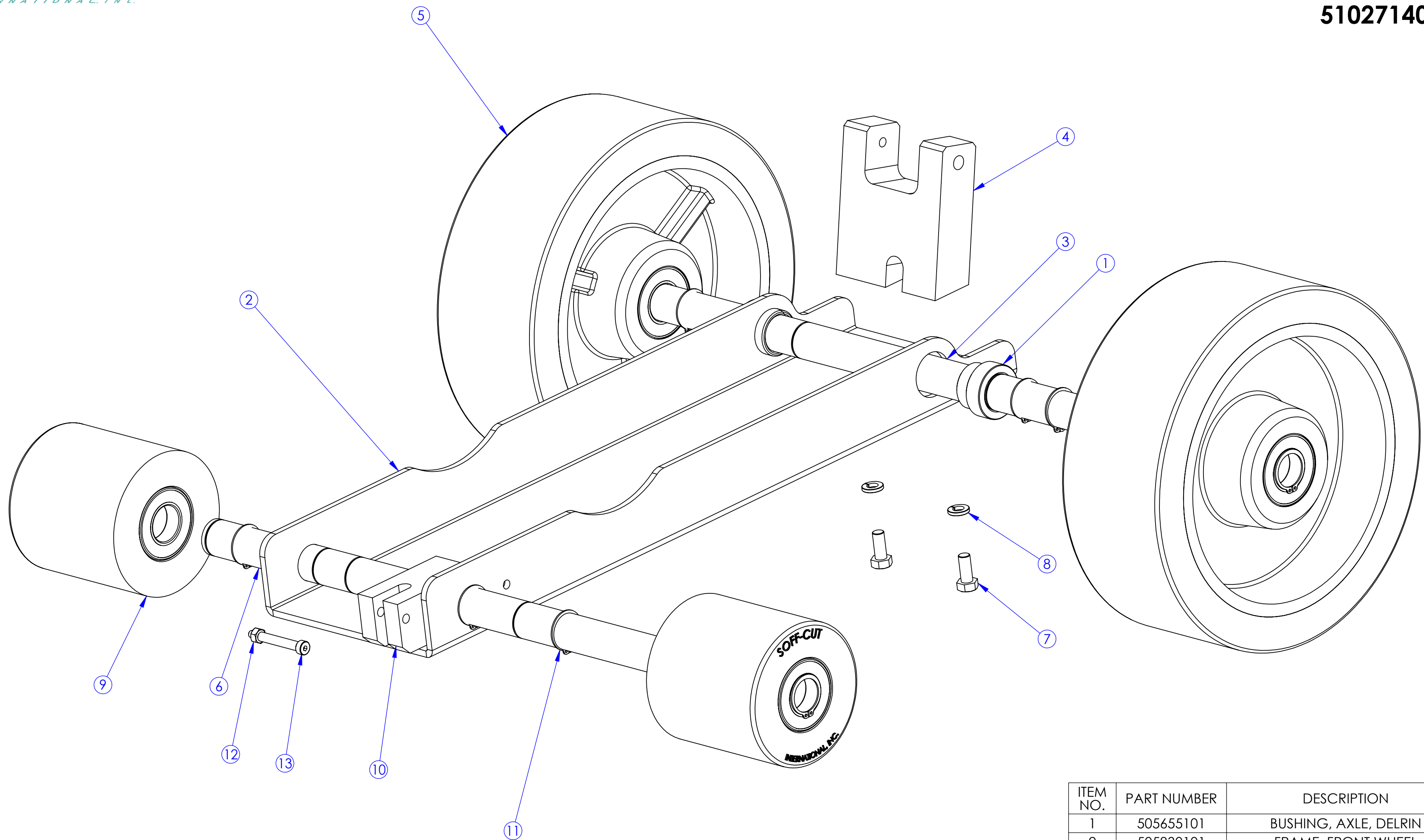


ITEM NO.	PART NUMBER	DESCRIPTION	QTY.
1	505828001	COVER, FRONT BLADE BLOCK	1
2	505828201	COVER, OUTER LEXAN, X4000	1
3	505536301	KNOB, BB COVER	2
4	505536401	WASHER, BELLEVEILLE	2
5	505536501	E-CLIP, 1/4"	2
6	505761701	WASHER, LEXAN	2
7	505634201	WASHER, 3/8"X .03THK FLAT S.S.	2
8	505627101	SHSB, 3/8 x 5/8	2
9	505819401	CHANNEL, OUTER DIVERTER	1
10	505730201	FHS, 10-24 x 5/8 S.S.	2
11	505630401	NUT, NYLOC, #10-24 CAD	2

**SUB-ASSEMBLY BILL OF MATERIAL**

SOFF-CUT INT'L, INC. CLAIMS PROPRIETARY RIGHTS TO THE MATERIAL DISCLOSED IN THIS DOCUMENT. THIS DOCUMENT IS PROVIDED IN CONFIDENCE AND MAY NOT BE REPRODUCED OR DISCLOSED WITHOUT WRITTEN PERMISSION FROM SOFF-CUT INT'L. © COPYRIGHT 2007, SOFF-CUT INT'L, INC. ALL RIGHTS RESERVED.

**510271403**



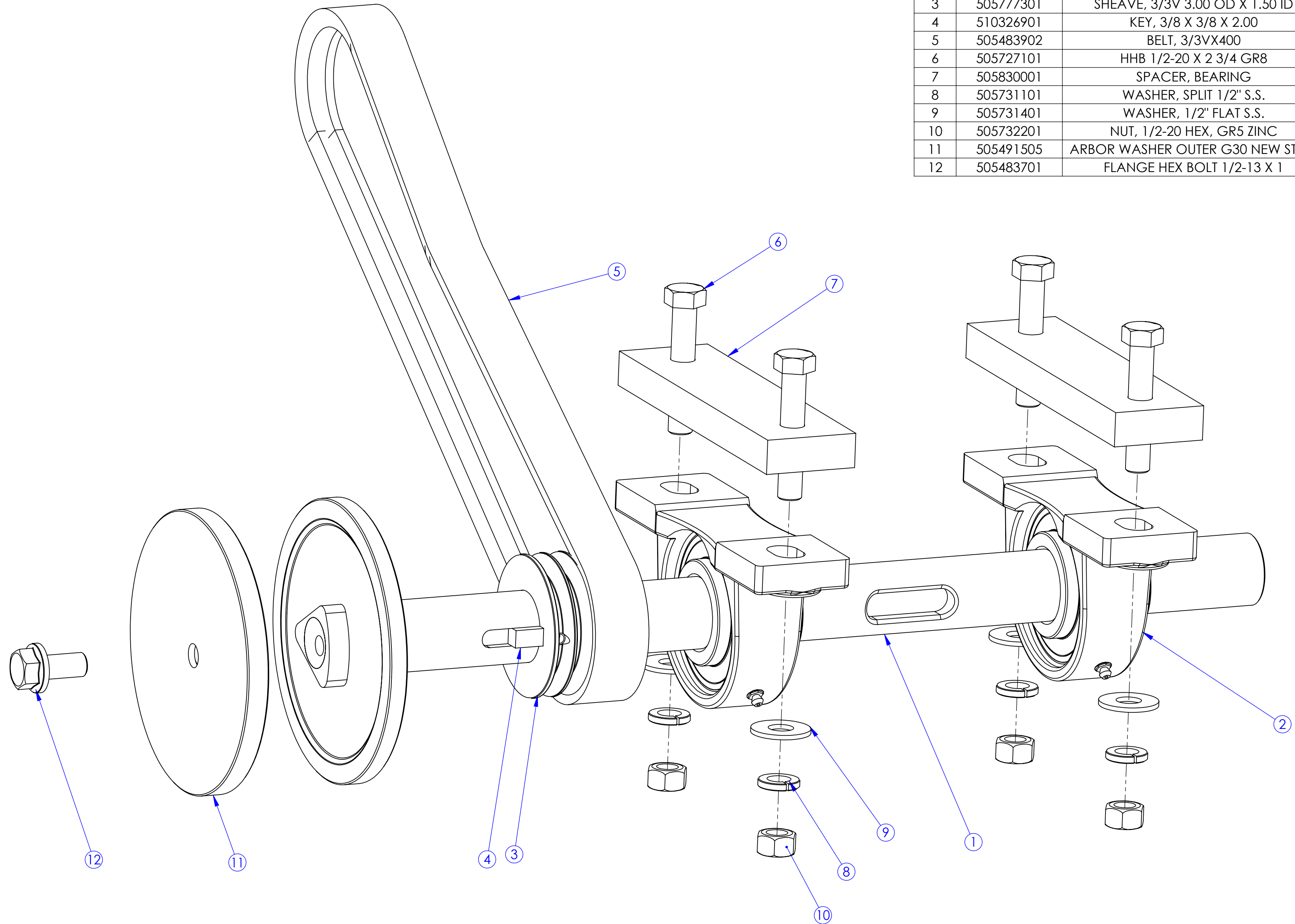
ITEM NO.	PART NUMBER	DESCRIPTION	QTY.
1	505655101	BUSHING, AXLE, DELRIN	2
2	505830101	FRAME, FRONT WHEEL	1
3	505829901	REAR AXLE, X4000	1
4	505819101	BLOCK, PUMP SUPPORT	1
5	505864501	WHEEL ASSY, REAR, 10"D X 3.63"W	2
6	505817301	FRONT AXLE, X2000	1
7	505821001	HHB 5/16-18 X .75	2
8	505633001	WASHER, SPLIT 5/16" S.S.	2
9	505864401	WHEEL ASSY, 4"D X 4"W, NO HUB	2
10	505831001	BRACKET, ACTUATOR MNT, X4000	1
11	505733401	SNAP RING, EXT 1.000"	8
12	505630401	NUT, NYLOC, #10-24 CAD	1
13	505726001	SHSB, 1/4 X 1 1/2	1

**SUB-ASSEMBLY BILL OF MATERIAL**

SOFF-CUT INT'L, INC. CLAIMS PROPRIETARY RIGHTS TO THE MATERIAL DISCLOSED IN THIS DOCUMENT. THIS DOCUMENT IS PROVIDED IN CONFIDENCE AND MAY NOT BE REPRODUCED OR DISCLOSED WITHOUT WRITTEN PERMISSION FROM SOFF-CUT INT'L. © COPYRIGHT 2007, SOFF-CUT INT'L, INC. ALL RIGHTS RESERVED.

**510272203**

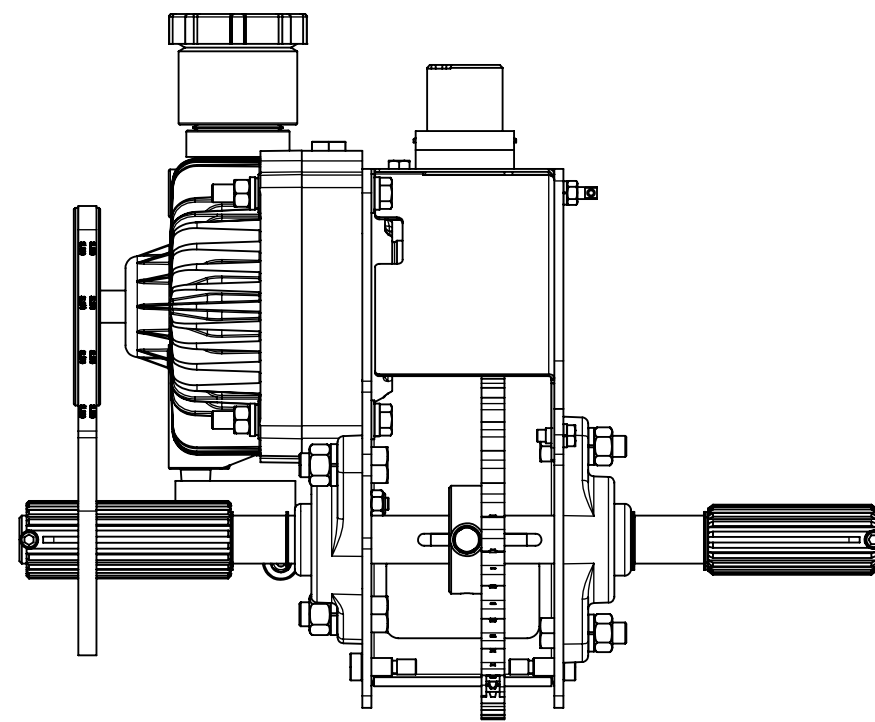
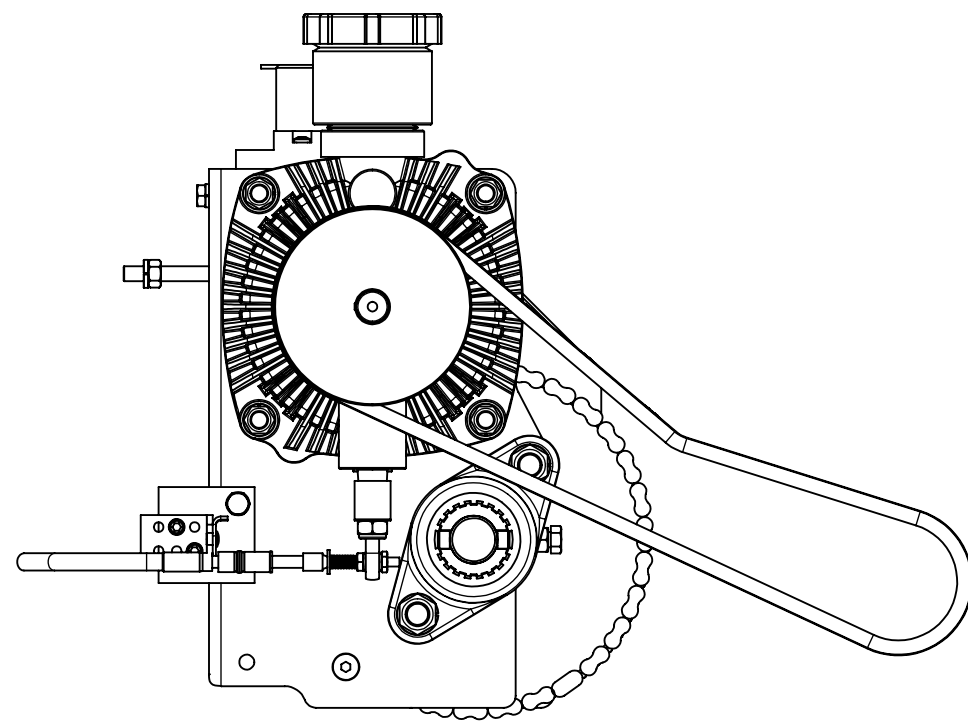
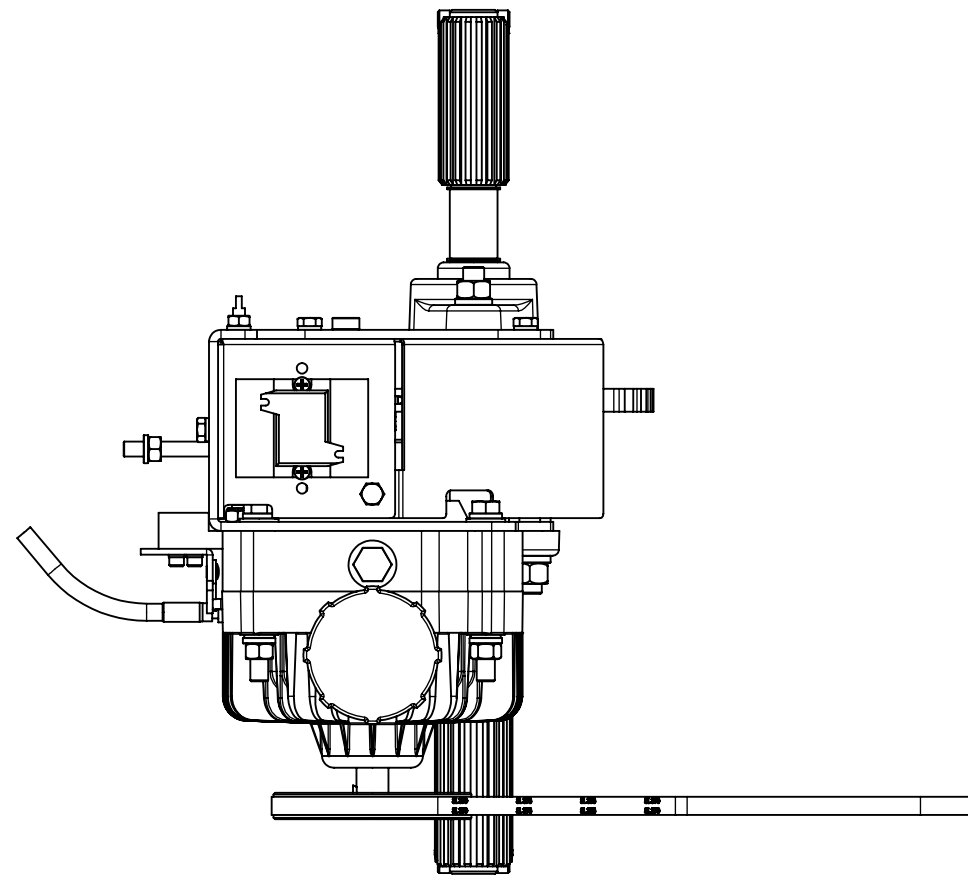
ITEM NO.	PART NUMBER	DESCRIPTION	QTY.
1	505573204	BLADE SHAFT	1
2	505834101	BEARING, PILLOW BLOCK, 1.50"ID	2
3	505777301	SHEAVE, 3/3V 3.00 OD X 1.50 ID	1
4	510326901	KEY, 3/8 X 3/8 X 2.00	1
5	505483902	BELT, 3/3VX400	1
6	505727101	HHB 1/2-20 X 2 3/4 GR8	4
7	505830001	SPACER, BEARING	2
8	505731101	WASHER, SPLIT 1/2" S.S.	4
9	505731401	WASHER, 1/2" FLAT S.S.	4
10	505732201	NUT, 1/2-20 HEX, GR5 ZINC	4
11	505491505	ARBOR WASHER OUTER G30 NEW STYLE	1
12	505483701	FLANGE HEX BOLT 1/2-13 X 1	1



**SUB-ASSEMBLY BILL OF MATERIAL**

SOFF-CUT INT'L, INC. CLAIMS PROPRIETARY RIGHTS TO THE MATERIAL DISCLOSED IN THIS DOCUMENT. THIS DOCUMENT IS PROVIDED IN CONFIDENCE AND MAY NOT BE REPRODUCED OR DISCLOSED WITHOUT WRITTEN PERMISSION FROM SOFF-CUT INT'L. © COPYRIGHT 2007, SOFF-CUT INT'L, INC. ALL RIGHTS RESERVED.

**510271903**



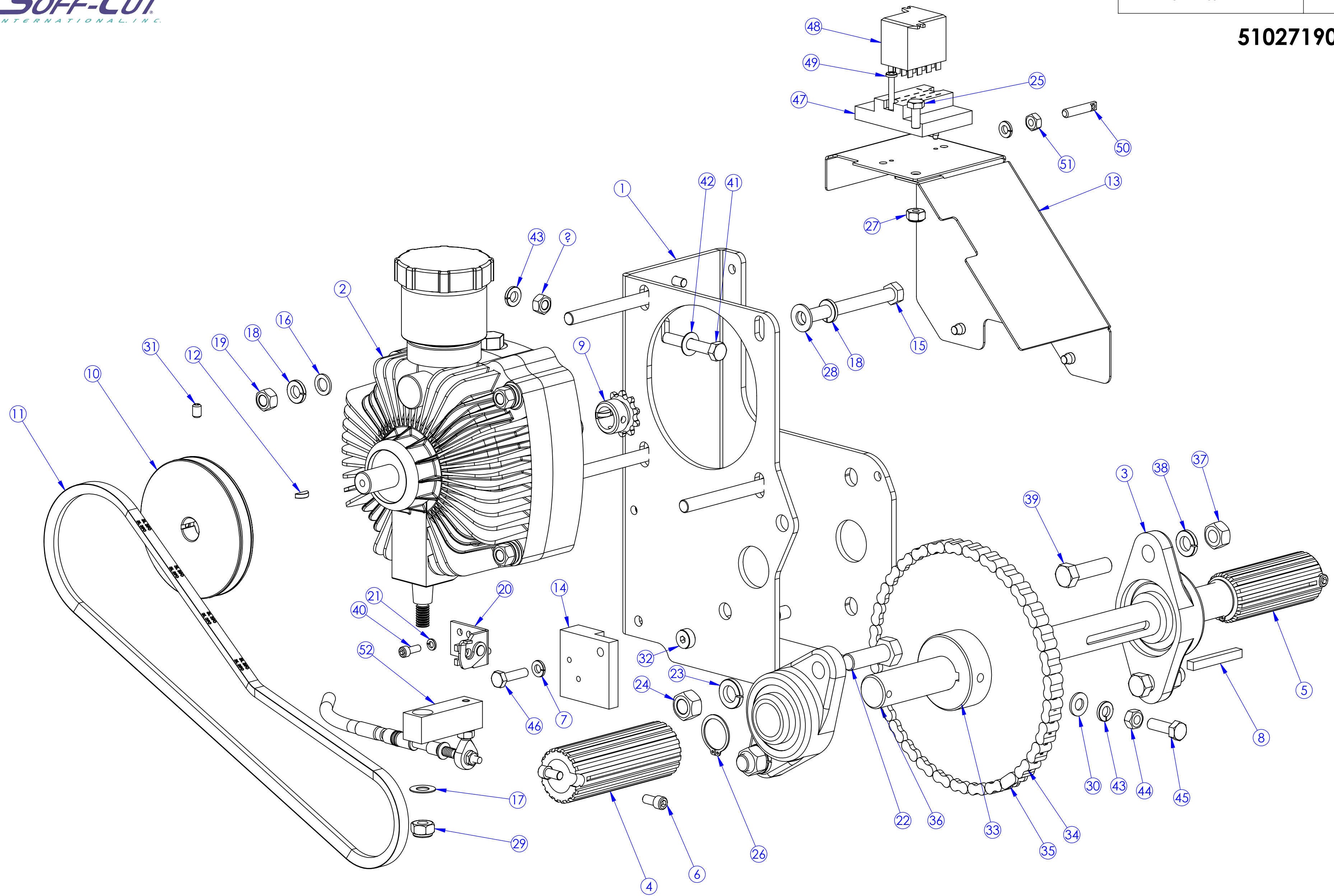
ITEM NO.	PART NUMBER	DESCRIPTION	QTY.
1	505818401	FRAME, PUMP	1
2	505738301	HYDROSTATIC PUMP	1
3	505689801	BEARING, FLANGE, 1" ID	2
4	505715101	TUBE, RIGHT DRIVER	1
5	505715201	TUBE, DRIVER, LEFT	1
6	505722301	SHCS 1/4-20 X 1/2 S.S.	4
7	505632801	WASHER, SPLIT 1/4" S.S.	5
8	521895201	KEY, 1/4 X 1/4 X 2.00	1
9	505667401	SPROCKET, 10T	1
10	505691101	SHEAVE, 1/3V 4.12 OD X 17mm ID	1
11	505484004	BELT, PUMP 3L390	1
12	505734701	KEY, WOODRUFF, #3	2
13	505818501	COVER, PUMP ASSEMBLY	1
14	510343101	BLOCK, CABLE MOUNT	1
15	505727701	HHB 3/8-16 X 3.5	4
16	505724001	WASHER, 3/8"X .06THK FLAT S.S.	4
17	505724501	WASHER, 3/8"X .030THK FLAT	1
18	505731001	WASHER, SPLIT 3/8" S.S.	8
19	505732101	NUT, 3/8-16 HEX, GR5 ZINC	4
20	505666401	BRACKET	1
21	505633101	WASHER, SPLIT #10 S.S.	2
22	505821101	HHB 1/2-13 X 1 1/2 GR8	2
23	505731101	WASHER, SPLIT 1/2" S.S.	2
24	505733301	NUT, 1/2-13 HEX, GR8 CAD.	2
25	505627401	HHB 1/4-20 X .625 S.S.	4
26	505733401	SNAP RING, EXT 1.000"	4
27	505630501	NUT, NYLOC, 1/4-20 CAD	2
28	505724601	WASHER, 3/8" FLAT	4
29	505723401	NUT, NYLOC, 3/8-16	1
30	505632101	WASHER, 5/16" FLAT SAE CAD	1
31	505733801	SET SCREW, KNURLED .250-20 X .375	2
32	505627101	SHSB, 3/8 x 5/8	2
33	505739401	SPROCKET, 60-TOOTH	1
34	505739501	CHAIN, ROLLER #35	1
35	505739601	CONNECTING LINK #35	1
36	505818201	SHAFT, PUMP DRIVE	1
37	505732601	NUT, 7/16-14 HEX, GR5 ZINC	2
38	505731201	WASHER, SPLIT 7/16" S.S.	2
39	505821401	HHB 7/16-14 X 1 1/2 GR8	2
40	505729601	SHCS 10-32 X 1/2 S.S.	2
41	510298701	HHB 5/16-18 X 2	1
42	505725201	WASHER, 5/16" FLAT S.S.	1
43	505633001	WASHER, SPLIT 5/16" S.S.	2
44	505732401	NUT, 5/16-18 HEX, S.S.	2
45	505727501	HHB 5/16-18 X 1	1
46	505727301	HHB 1/4-20 X 1 S.S.	1
47	525436101	SOCKET, RELAY, 10-AMP 4PDT	1
48	505638502	RELAY, 10-AMP 4PDT	1
49	525545001	SCREW, SELF-TAP, 8-18 X 1.250 PAN	2
50	505774501	SPRING ANCHOR, 1/4-20 X 1	1
51	505631901	NUT, 1/4-20 HEX, S.S.	1
52	505862302	KIT, SPEED CONTROL	1

**SUB-ASSEMBLY BILL OF MATERIAL**

SOFF-CUT INT'L, INC. CLAIMS PROPRIETARY RIGHTS TO THE MATERIAL DISCLOSED IN THIS DOCUMENT. THIS DOCUMENT IS PROVIDED IN CONFIDENCE AND MAY NOT BE REPRODUCED OR DISCLOSED WITHOUT WRITTEN PERMISSION FROM SOFF-CUT INT'L. © COPYRIGHT 2007, SOFF-CUT INT'L, INC. ALL RIGHTS RESERVED.



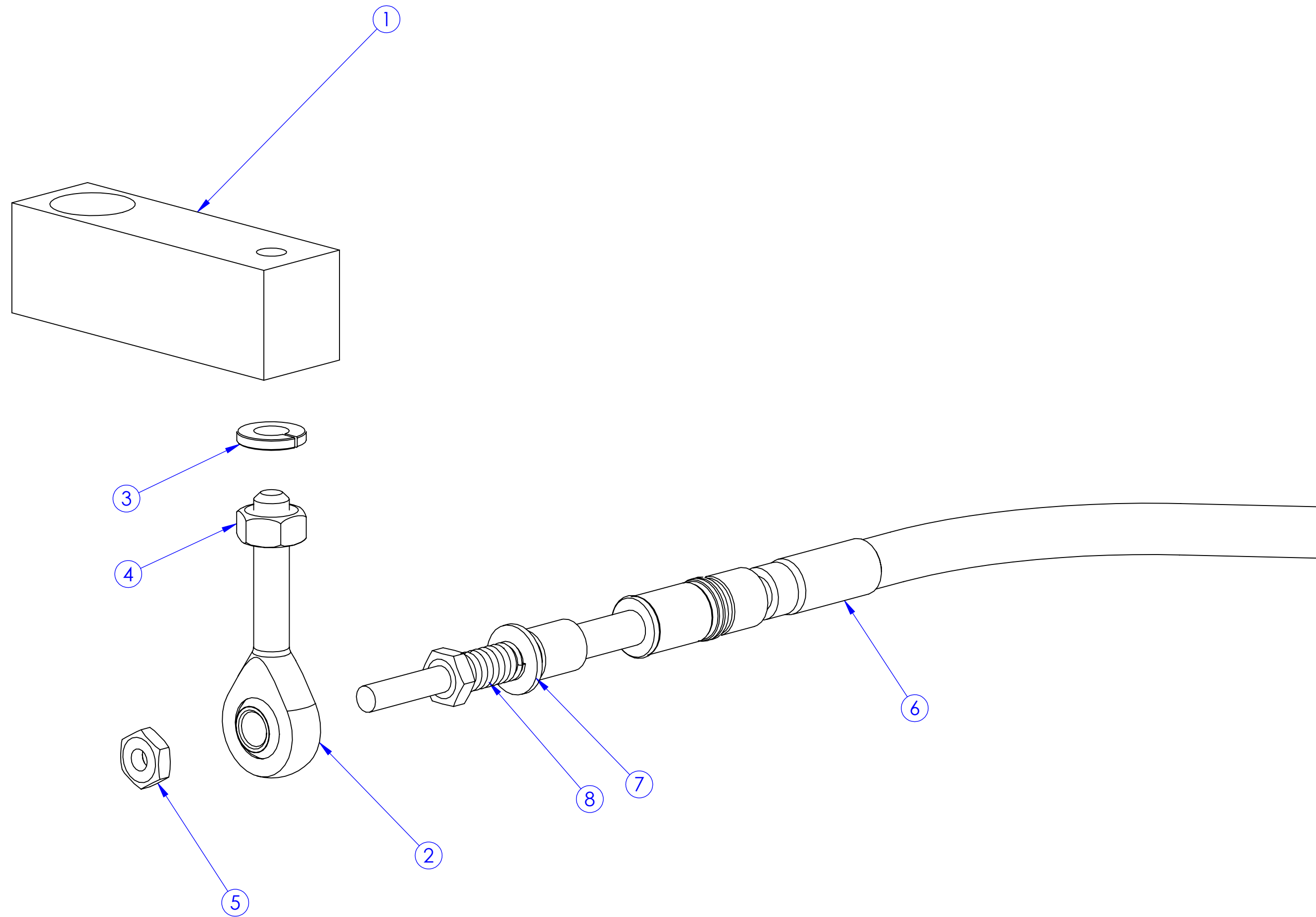
**510271903**



**SUB-ASSEMBLY BILL OF MATERIAL**

SOFF-CUT INT'L, INC. CLAIMS PROPRIETARY RIGHTS TO THE MATERIAL DISCLOSED IN THIS DOCUMENT. THIS DOCUMENT IS PROVIDED IN CONFIDENCE AND MAY NOT BE REPRODUCED OR DISCLOSED WITHOUT WRITTEN PERMISSION FROM SOFF-CUT INT'L. © COPYRIGHT 2007, SOFF-CUT INT'L, INC. ALL RIGHTS RESERVED.

**505862302**

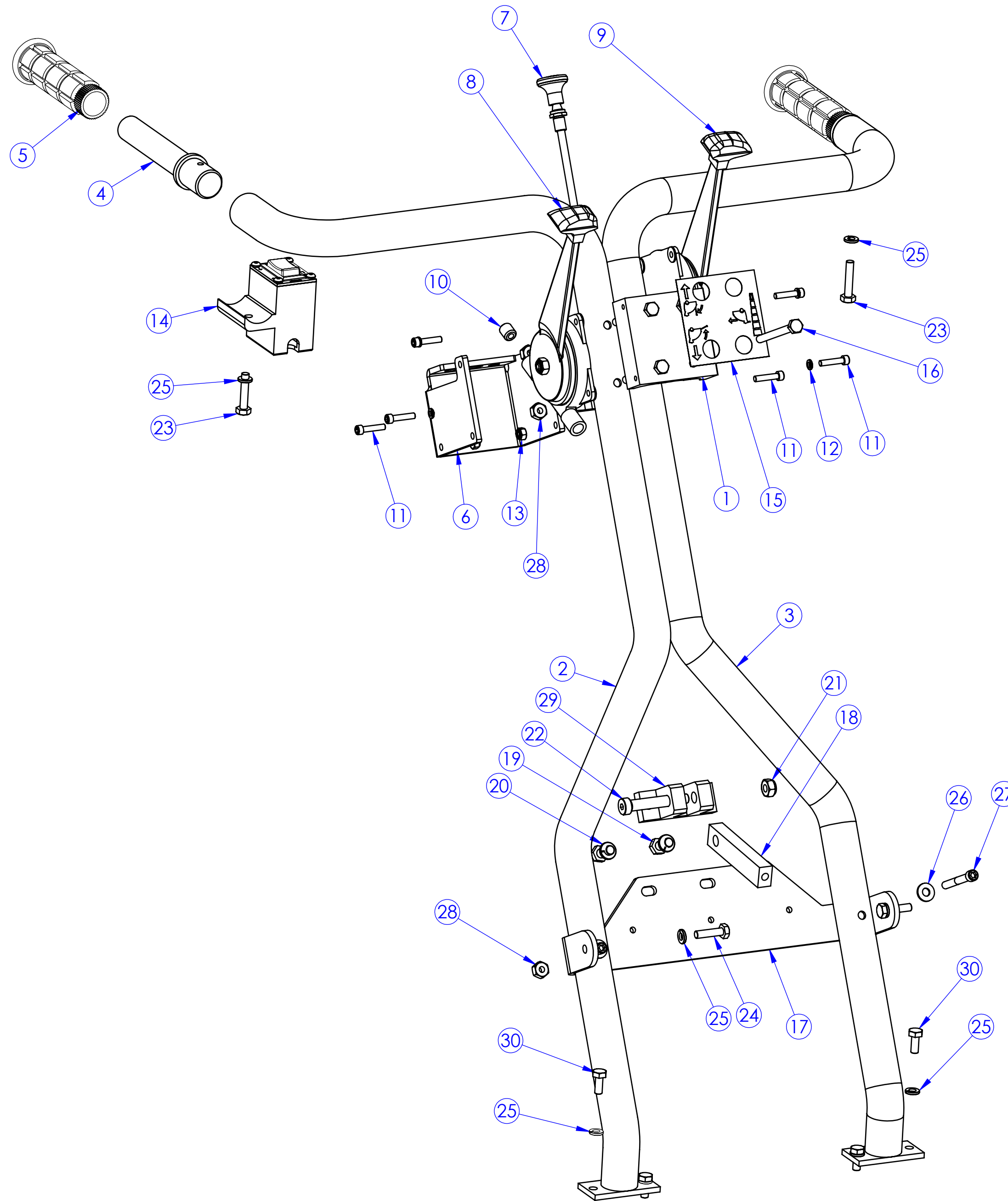


ITEM NO.	PART NUMBER	DESCRIPTION	QTY.
1	505817101	ARM, SPEED CONTROL	1
2	505743401	ROD END	1
3	505632801	WASHER, SPLIT 1/4" S.S.	1
4	505732901	NUT, 1/4-28 HEX, GR5 ZINC	1
5	505733001	NUT, 10-32 HEX, ZINC	1
6	505823001	CABLE, SPEED CONTROL	1
7	505635301	WASHER, #10 FLAT S.S.	1
8	510344401	SPRING, SPEED CONTROL	1

**SUB-ASSEMBLY BILL OF MATERIAL**

SOFF-CUT INT'L, INC. CLAIMS PROPRIETARY RIGHTS TO THE MATERIAL DISCLOSED IN THIS DOCUMENT. THIS DOCUMENT IS PROVIDED IN CONFIDENCE AND MAY NOT BE REPRODUCED OR DISCLOSED WITHOUT WRITTEN PERMISSION FROM SOFF-CUT INT'L. © COPYRIGHT 2005, SOFF-CUT INT'L, INC. ALL RIGHTS RESERVED.

**510272003**

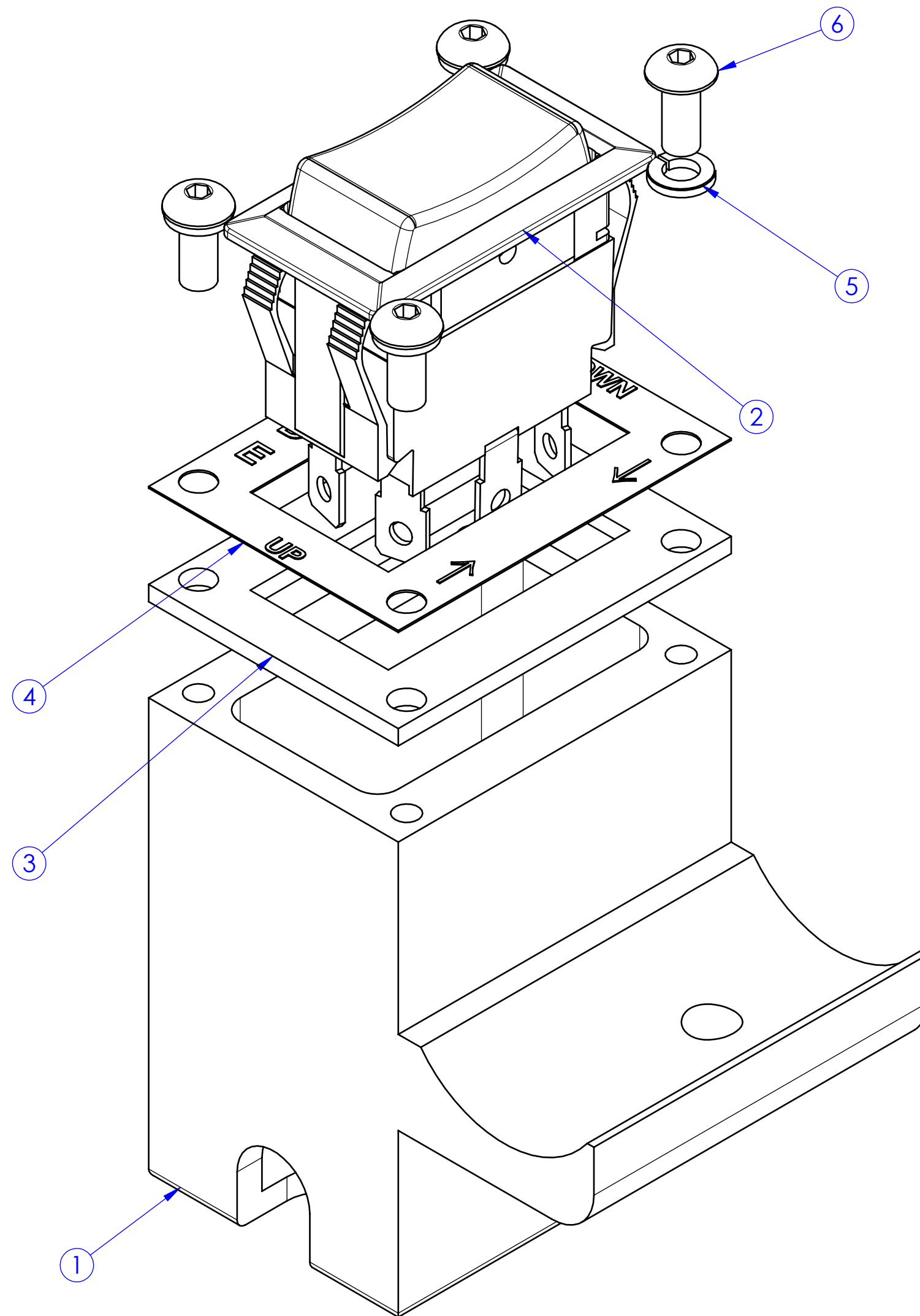


ITEM NO.	PART NUMBER	DESCRIPTION	QTY.
1	505829201	BLOCK, CONTROL MOUNT	2
2	505829301	TUBING, RIGHT HANDLE	1
3	505829401	TUBING, LEFT HANDLE	1
4	505829101	SHAFT, HANDLE	2
5	505836401	GRIP, HANDLE	2
6	505816801	BRACKET, CONTROL MOUNT	1
7	505827301	THROTTLE CONTROL W/ CABLE	1
8	505823601	CONTROL LEVER ASSY	1
9	505823601	CONTROL LEVER ASSY	1
10	505822401	SET SCREW, CUP .438-20 X .500	2
11	505772801	SHCS 10-32 X 7/8 BLK	6
12	505633101	WASHER, SPLIT #10 S.S.	4
13	505822201	NUT, NYLOC, #10-32 S.S.	2
14	574694001	KIT, ACTUATOR SWITCH	1
15	510341401	LABEL, GUIDE/SPEED CONTROL	1
16	505728001	HHB 1/4-20 X 2.75 S.S. ALL THRD	4
17	505830601	BRACKET, HANDLE MOUNT	1
18	505830901	ARM, PUMP RELEASE	1
19	505821001	HHB 5/16-18 X .75	2
20	505633001	WASHER, SPLIT 5/16" S.S.	2
21	505630601	NUT, NYLOC, 5/16-18 CAD	1
22	505771501	SHSB, 3/8 x 1 3/4	1
23	505728301	HHB 1/4-20 X 1.25 S.S. ALL THRD	2
24	505686901	HHB 1/4-20 X 1 GR8	2
25	505632801	WASHER, SPLIT 1/4" S.S.	8
26	505632001	WASHER, 1/4" FLAT S.S.	2
27	505728901	SHCS 1/4-20 X 2 S.S.	2
28	505630501	NUT, NYLOC, 1/4-20 CAD	6
29	505756901	BRACKET, ACTUATOR MOUNT	1
30	505627401	HHB 1/4-20 X .625 S.S.	4

**SUB-ASSEMBLY BILL OF MATERIAL**

SOFF-CUT INT'L, INC. CLAIMS PROPRIETARY RIGHTS TO THE MATERIAL DISCLOSED IN THIS DOCUMENT. THIS DOCUMENT IS PROVIDED IN CONFIDENCE AND MAY NOT BE REPRODUCED OR DISCLOSED WITHOUT WRITTEN PERMISSION FROM SOFF-CUT INT'L. © COPYRIGHT 2007, SOFF-CUT INT'L, INC. ALL RIGHTS RESERVED.

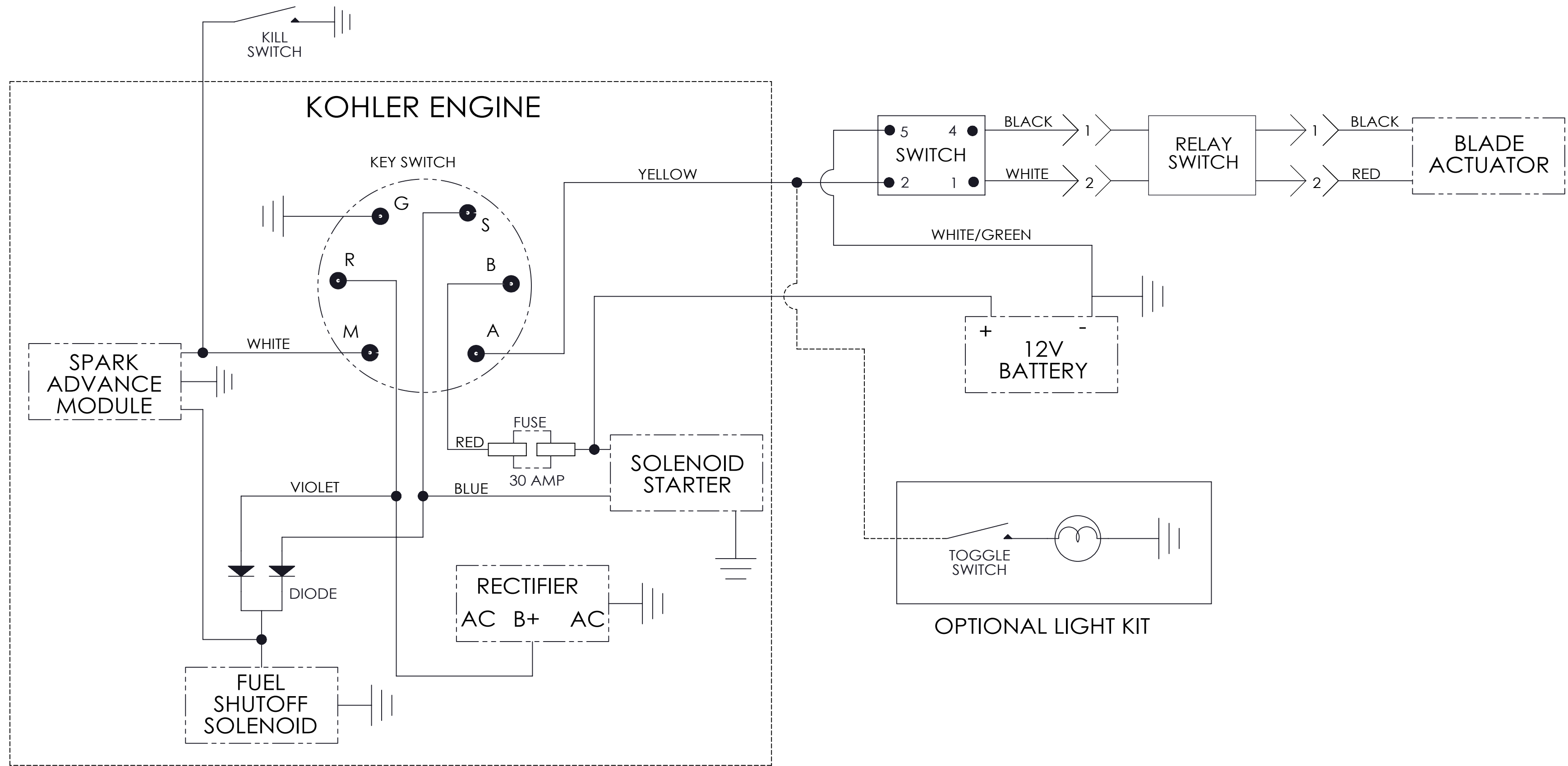
**574694001**



ITEM NO.	PART NUMBER	DESCRIPTION	QTY.
1	505831601	HOUSING, ACTUATOR SWITCH	1
2	505750701	SWITCH, ON / OFF / ON	1
3	505831501	PANEL, ACTUATOR SWITCH	1
4	510344201	LABEL, ACTUATOR SWITCH	1
5	505632701	WASHER, SPLIT #8 S.S.	4
6	505629301	BHS, 8-32 X 3/8 S.S.	4

**SUB-ASSEMBLY BILL OF MATERIAL**

SOFF-CUT INT'L, INC. CLAIMS PROPRIETARY RIGHTS TO THE MATERIAL DISCLOSED IN THIS DOCUMENT. THIS DOCUMENT IS PROVIDED IN CONFIDENCE AND MAY NOT BE REPRODUCED OR DISCLOSED WITHOUT WRITTEN PERMISSION FROM SOFF-CUT INT'L. © COPYRIGHT 2007, SOFF-CUT INT'L, INC. ALL RIGHTS RESERVED.



**SUB-ASSEMBLY BILL OF MATERIAL**

SOFF-CUT INT'L, INC. CLAIMS PROPRIETARY RIGHTS TO THE MATERIAL DISCLOSED IN THIS DOCUMENT. THIS DOCUMENT IS PROVIDED IN CONFIDENCE AND MAY NOT BE REPRODUCED OR DISCLOSED WITHOUT WRITTEN PERMISSION FROM SOFF-CUT INT'L. © COPYRIGHT 2005, SOFF-CUT INT'L, INC. ALL RIGHTS RESERVED.